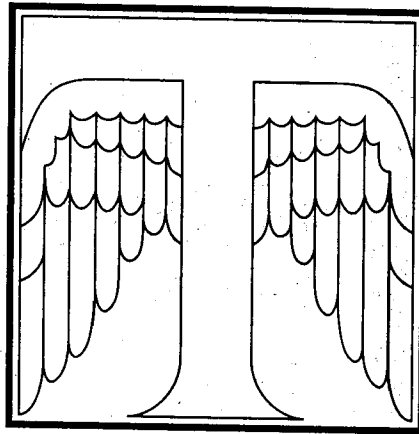


THETA DIGITAL

C O R P O R A T I O N



Data Basic  
Compact Disc Transport  
**Owners Manual**

*Digital Done Right*

## **CONGRATULATIONS**

You have acquired the finest drive system available for the playback of digitally encoded source material for audio.

\*\*\*\*\*

### **IMPORTANT**

Save all packaging in a dry place away from fire hazard. Your Theta unit is a precision electronic instrument and should be properly cartoned any time shipment is made. You may not have occasion to return your unit to the factory for service, but if that should prove necessary, or any occasion such as modification requiring-shipment occurs, the original packaging will protect your unit from unnecessary damage or delay.

\*\*\*\*\*

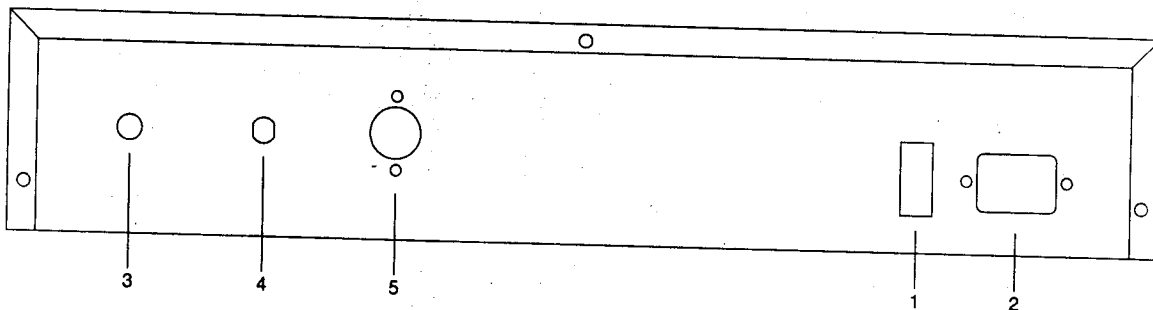
In order to achieve the fullest flexibility and enjoyment from your Data Basic Transport, we at Theta hope that you will read this manual in full before connecting the unit to your audio system.

\*\*\*\*\*

### **NOTE:**

This equipment has been tested and found to comply with the limits for a Class B digital device, pursuant to Part 15 of the FCC Rules. These limits are designed to provide reasonable protection against harmful interference in a residential installation. This equipment generates, uses and can radiate radio frequency energy and, if not installed and used in accordance with the instructions, may cause harmful interference to radio communications. However, there is no guarantee that interference will not occur in a particular installation. If this equipment does cause harmful interference to radio or television reception, which can be determined by turning the equipment off and on, the user is encouraged to try to correct the interference by one or more of the following measures:

- Reorient or relocate the receiving antenna.
- Increase the separation between equipment and receiver.
- Connect the equipment into an outlet on a circuit different from that to which the receiver is connected.
- Consult the dealer for help.



## CONNECTIONS: REAR PANEL

### 1 MAIN POWER SWITCH

This switch controls the Main Power Input to the unit and should be left in the ON position. The front mounted Standby switch powers down the display and other circuits leaving only the heat sensitive digital circuits on. This assures maximum sound quality, without a lengthy warm-up period. The Main Power switch should be turned Off if the unit is not to be used for long periods of time such as vacations etc.

### 2 A/C INPUT CONNECTOR

This receptacle attaches to the provided 3-wire A/C cord. Once attached, the A/C cord should be plugged directly into a 3-wire, unswitched power outlet. **DO NOT DEFEAT THE GROUND PIN.**

### 3 DIGITAL OUTPUT AUDIO JACK

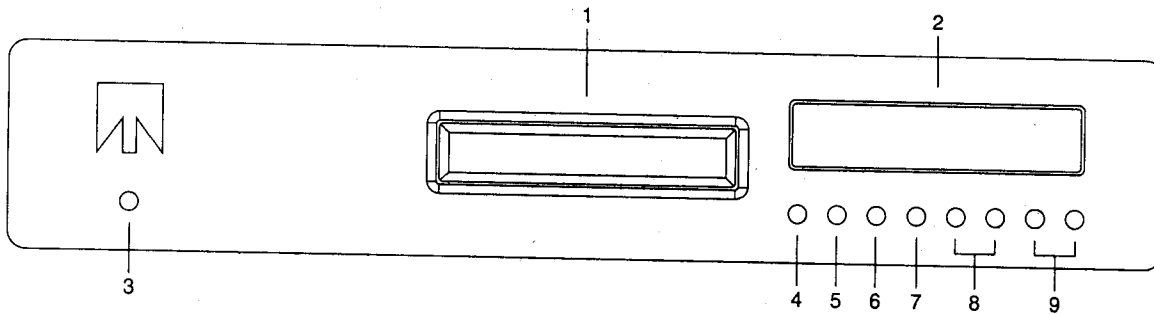
Outputs the CD audio signal and sub-code signal in digital standard format. This output should only be plugged into the input of a digital processor or input designed for this type of signal. **NEVER** connect this output to a non-digital input such as AUX, CD, TAPE, PHONO, ETC.

### 4 DIGITAL OPTICAL OUTPUT (OPTIONAL)

This output is available in either AT&T MULTI MODE format or in SINGLE MODE format. It provides the digital standard signal in an optical form. It should be connected to an input designed to receive this type of signal.

### 5 AES/EBU OUTPUT (OPTIONAL)

This output provides the digital standard signal in a balanced configuration and at a higher voltage level. It should be connected to an input designed to receive this type of signal.



## FRONT PANEL AND CONTROLS

### 1 LOADING TRAY

This tray slides in and out by pressing the DRAWER button on the face plate. Place the disc on the tray being careful to center it in the recess provided. It can be closed by pressing the DRAWER button or by light pressure applied to the front of the tray. Pressing the PLAY or PAUSE button will also close the tray.

### 2 MULTI-FUNCTION DISPLAY

Displays the status of the disc being played. See section on display functions.

### 3 STANDBY BUTTON

This button powers down the display and other circuits leaving only the heat sensitive digital circuits on. This assures maximum sound quality without a lengthy warm-up period. Pressing the button during play will cause the unit to stop playing and cancellation of any stored program.

### 4 DRAWER BUTTON

This button open and closes the loading tray. Opening the tray while the unit is programmed will cancel the program.

### 5 STOP BUTTON

This button stops play and will cause the display to show the total number of tracks on the disc and the total playing time (TOC). Pressing the button twice will cause the cancellation of any stored program.

### 6 PLAY

This button will start the disc playing. Pressing it during play will cause the track to be restarted at the beginning. If the unit is in Pause then the PLAY button will resume play.

### 7 PAUSE BUTTON

This button stops play temporarily during the play mode. To resume play press the PLAY button. NOTE: Pressing PAUSE a second time will not resume play.

### 8 TRACK BUTTONS

Press one of these buttons to skip to the beginning of a track.

▶ When this button is pressed during stop or play, the beginning of the next track is detected. When it is kept pressed, the track number will advance continuously.

◀ When this button is pressed during stop or play, the beginning of the previous track is detected. When it is kept pressed, the track number will decrease continuously.

These buttons may be used for selecting tracks for programmed play. See section on programming.

### 9 SCAN BUTTONS

When one of these buttons is pressed and held during play, the disc is scanned forward or backward.

▶▶ Forward scanning.

◀◀ Backward scanning.

The scanning speed varies in two steps. It is slow for the first few seconds after the button is pressed and sound will continue, and then becomes fast with sound muted off. Releasing the button will resume play.

# ADDITIONAL CONTROLS FOUND ON THE REMOTE CONTROL

## INDEX

Some CD discs have index numbers recorded on them. The index numbers divide an individual track in order to indicate different themes, extensions or reproductions in it. (Index numbers are not recorded on all discs. If the disc does not contain index numbers, an index skip operation is not possible.) This operation is performed with the INDEX buttons on the remote control transmitter.

- ▶ Index skip to the beginning of the next index.
- ◀ Index skip to the beginning of the index being played.

Pressing one of these keys repeatedly skips the same number of indices as the number of times the key is pressed.

## 1-0 DIGIT KEYS

Key in the desired number of the track you wish to play (numbers with two digits must be entered within 2 seconds). The sound will stop and a moment later the selected track will play. These keys can also be used for programming a disc.

## REP (repeat)

Pressing this button will cause the unit to repeat the disc continuously. Repeat can be cancelled by pressing the REP button a second time or pressing STOP.

## TIME/TRACK

Press this button whenever you want to know the remaining playing time of the track being played. (REM TRACK TIME)

Press it again if you want to know the remaining playing time of the entire disc. (TOTAL REM TIME)

Press it again if you wish to return to the elapsed playing time of the track being played. (TRACK TIME)

## PROGR (program)

This button allows you to program the disc. Up to 20 tracks can be programmed on a disc in any sequence. Once a track or tracks have been programmed the program cannot be altered without deleting the entire program.

To program a disc, load the disc into the unit and note the number of tracks and total playing time indicated on the display.

Key in the first track you wish to store or press the track button until the track number appears.

Press the PROGR button within 8 seconds. The playing time of the program will appear for 2 seconds under TOTAL TIME and after the track number the letter "P" will appear. The track number has now been programmed in memory.

Select the other track numbers required and press PROGR. after each track is selected. Each time you enter a track the TOTAL TIME will increase on the display.

The number indicator at the bottom of the display will indicate the number of the tracks you have programmed.

To play the program press the PLAY button. All functions will operate normally. You may scan, change to the next or previous track, pause and even stop and still retain your program.

**PROGRAM WILL BE CANCELLED IF YOU OPEN THE DRAWER, PUT THE UNIT IN STANDBY, OR PRESS THE STOP BUTTON TWICE.**



## MULTI FUNCTION DISPLAY

--- --- ---

Lights up when unit is taken out of Standby Mode and no disc is loaded in the tray.

8 12 Will alternately flash as disc is loading.

8 Lights up when a 3 inch disc is loaded.

12 Lights up when a 5 inch disc is loaded.

### TRACK

Indicates the number of tracks on the disc. Shows the track number being played

▶ Lights during play. Flashes when play is interrupted (Pause).

### TRACK TIME

Indicates the elapsed playing time of the track being played.

### REM (remaining) TRACK TIME

Indicates the remaining playing time of a disc or program.

### TOTAL TIME

Indicates the total playing time of a disc or program.

### PROGRAM

Lights up when a program being stored.

### REPEAT

Lights up when the entire disc or a program is in repeat mode.

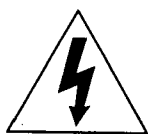
### 1-15 TRACK NUMBER INDICATOR

Shows the number of tracks on a disc; +15 lights up when there are more than 15 tracks on a disc. Each time a track has been played the corresponding number goes out on the number indicator.

### ERR (error)

Lights up if you make an error in operating the unit, have loaded the disc upside down or positioned it improperly in the tray, the tray is empty or you have given the unit an improper command from the remote control, the disc is damaged or out of specifications for thickness, ETC.

	<b>CAUTION</b> <b>RISK OF ELECTRIC SHOCK</b> <b>DO NOT OPEN</b>	
<b>CAUTION: TO REDUCE THE RISK OF ELECTRIC SHOCK, DO NOT REMOVE COVER (OR BACK) NO USER-SERVICEABLE PARTS INSIDE REFER SERVICING TO QUALIFIED SERVICE PERSONNEL</b>		



The lightning flash with arrowhead symbol, within an equilateral triangle, is intended to alert the user to the presence of uninsulated "dangerous voltage" within the product's enclosure that may be of sufficient magnitude to constitute a risk of electric shock to persons.



The exclamation point within an equilateral triangle is intended to alert the user to the presence of important operating and maintenance (servicing) instructions in the literature accompanying the appliance.

## WARNING

**TO REDUCE THE RISK OF FIRE OR ELECTRIC SHOCK.  
DO NOT EXPOSE THIS APPLIANCE TO RAIN OR MOISTURE.**

**CAUTION: TO PREVENT ELECTRIC SHOCK DO NOT USE THIS (POLARIZED) PLUG WITH AN EXTENSION CORD, RECEPTACLE OR OTHER OUTLET UNLESS THE BLADES CAN BE FULLY INSERTED TO PREVENT BLADE EXPOSURE.**

**ATTENTION: POUR PRÉVENIR LES CHOCS ÉLECTRIQUES NE PAS UTILISER CETTE FICHE POLARISÉE AVEC UN PROLONGATEUR, UNE PRISE DE COURANT OU UNE AUTRE SORTIE DE COURANT. SAUF SI LES LAMES PEUVENT ÊTRE INSÉRÉES À FOND SANS EN LAISSER AUCUNE PARTIE À DÉCOUVERT.**

### LASER SAFETY

This unit employs a laser. Only a qualified service person should remove the cover or attempt to service this device, due to possible eye injury.

**"CAUTION—USE OF CONTROLS OR ADJUSTMENTS OR PERFORMANCE OF PROCEDURE OTHER THAN THOSE SPECIFIED HEREIN MAY RESULT IN HAZARDOUS RADIATION EXPOSURE."**

# 3-YEAR/1-YEAR LIMITED WARRANTY TERMS AND CONDITIONS

1. Theta Digital Corporation, henceforth referred to as Theta, warrants the product designated herein to be free of manufacturing defects in material and workmanship, subject to the conditions herein set forth, for a period of three (3) years on all electronics and one (1) year on the laser drive mechanism from the date of purchase by the original purchaser or no later than five (5) years from the date of shipment to the authorized Theta dealer, whichever comes first.
2. **CONDITIONS**  
This Warranty is subject to the following conditions and limitations. The Warranty is void and inapplicable if the product has been used or handled other than in accordance with the instructions in the owner's manual, abused or misused, damaged by accident or neglect or in being transported, or the defect is due to the product must be packed and returned to Theta or an authorized Theta repair center by the customer at his or her sole expense. Theta will pay return freight of its choice. A returned product must be accompanied by a written description of the defect and a photocopy of the original purchase receipt. This receipt must clearly list model and serial number, the date of purchase, the name and address of the purchaser and authorized dealer and the price paid by the purchaser. Theta reserves the right to modify the design of any product without obligation to purchasers of previously manufactured products and to change the prices or specifications of any product without notice or obligation to any person.
3. **REMEDY**  
In the event the above product fails to meet the above Warranty and the above conditions have been met, the purchaser's sole remedy under this Limited Warranty shall be to return the product to Theta or an authorized Theta repair center where the defect will be rectified without charge for parts or labor.
4. **LIMITED TO ORIGINAL PURCHASER**  
This Warranty is for the sole benefit of the original purchaser of the covered product and shall not be transferred to a subsequent purchaser of the product.
5. **DURATION OF WARRANTY**  
This Warranty expires on the third anniversary of the date of purchase or no later than the fifth anniversary from the date of shipment to the authorized Theta dealer, whichever comes first.
6. **MISCELLANEOUS**  
**ANY IMPLIED WARRANTIES RELATING TO THE ABOVE PRODUCT SHALL BE LIMITED TO THE DURATION OF THIS WARRANTY. THE WARRANTY DOES NOT EXTEND TO ANY INCIDENTAL OR CONSEQUENTIAL COSTS OR DAMAGES TO THE PURCHASER.** Some states do not allow limitations on how long an implied warranty lasts or an exclusion or limitation of incidental or consequential damages, so the above limitations or exclusions may not apply to you. This Warranty gives you specific legal rights, and you may also have other rights which vary from state to state.
7. **WARRANTOR**  
Inquiries regarding the above limited Warranty may be sent to the following address:

THETA DIGITAL CORPORATION  
5330 DERRY AVENUE, SUITE "R"  
AGOURA HILLS, CA 91301

## WARRANTY OUTSIDE THE USA

Theta has formal distribution in many of the countries of the free world. In each country the Theta Importer has contractually accepted the responsibility for product warranty. Warranty should normally be obtained from the importing dealer or distributor from whom you obtain your product.

## WARNINGS

1. To prevent fire or shock hazard, do not expose your Theta product to rain or moisture.
2. This unit contains voltages which can cause serious injury or death. Do not operate with covers removed. Refer all servicing to your authorized Theta dealer.
3. For continued protection against fire hazard, replace fuses only with the same type and rating of fuses as specified.