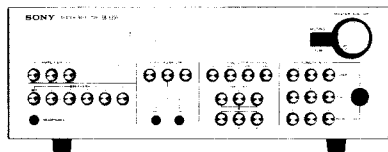


SYSTEM SELECTOR**SB-5335****Owner's Instruction Manual**

Please read this manual completely to become familiar with all features and capabilities of your new Sony system selector. Keep this manual handy for future reference.

FEATURES

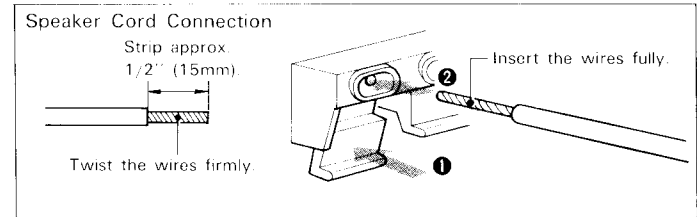
The SB-5335 has provision for connecting three amplifiers, three record players, three tuners, three auxiliary program sources and five pairs of speakers at a time, and can drive them in various desired combinations. Furthermore, with various add-on external adaptors you can expand the capabilities of your audio system.

This selector also provides a tape copy facility completely independent of the reproduction of the source program.

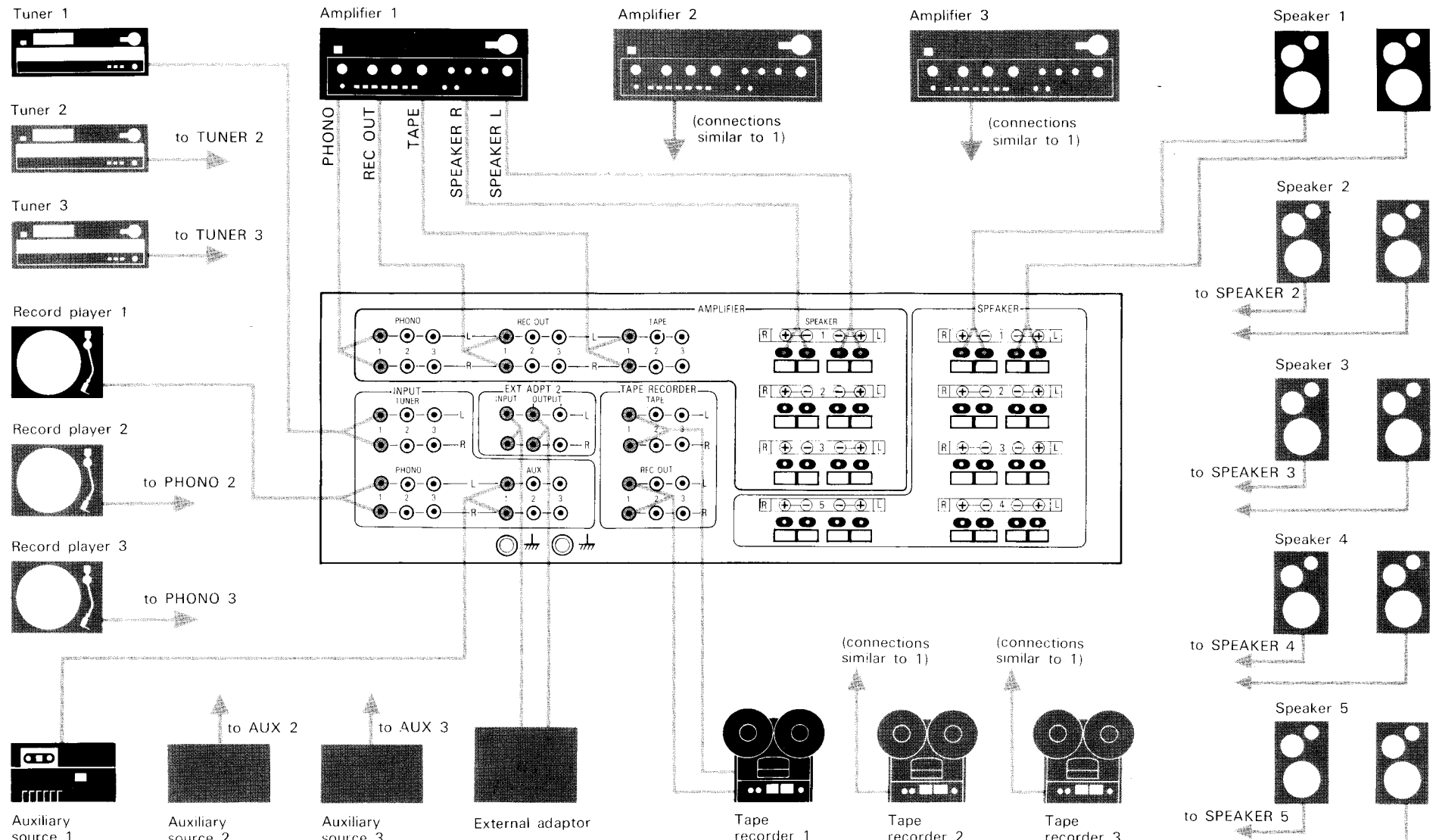
CONNECTIONS

- The plugs should be fully inserted into the jacks. A loose connection may cause hum and noise.
- Be sure to connect the red plug to the right [R] jack, and the remaining one to the left [L].

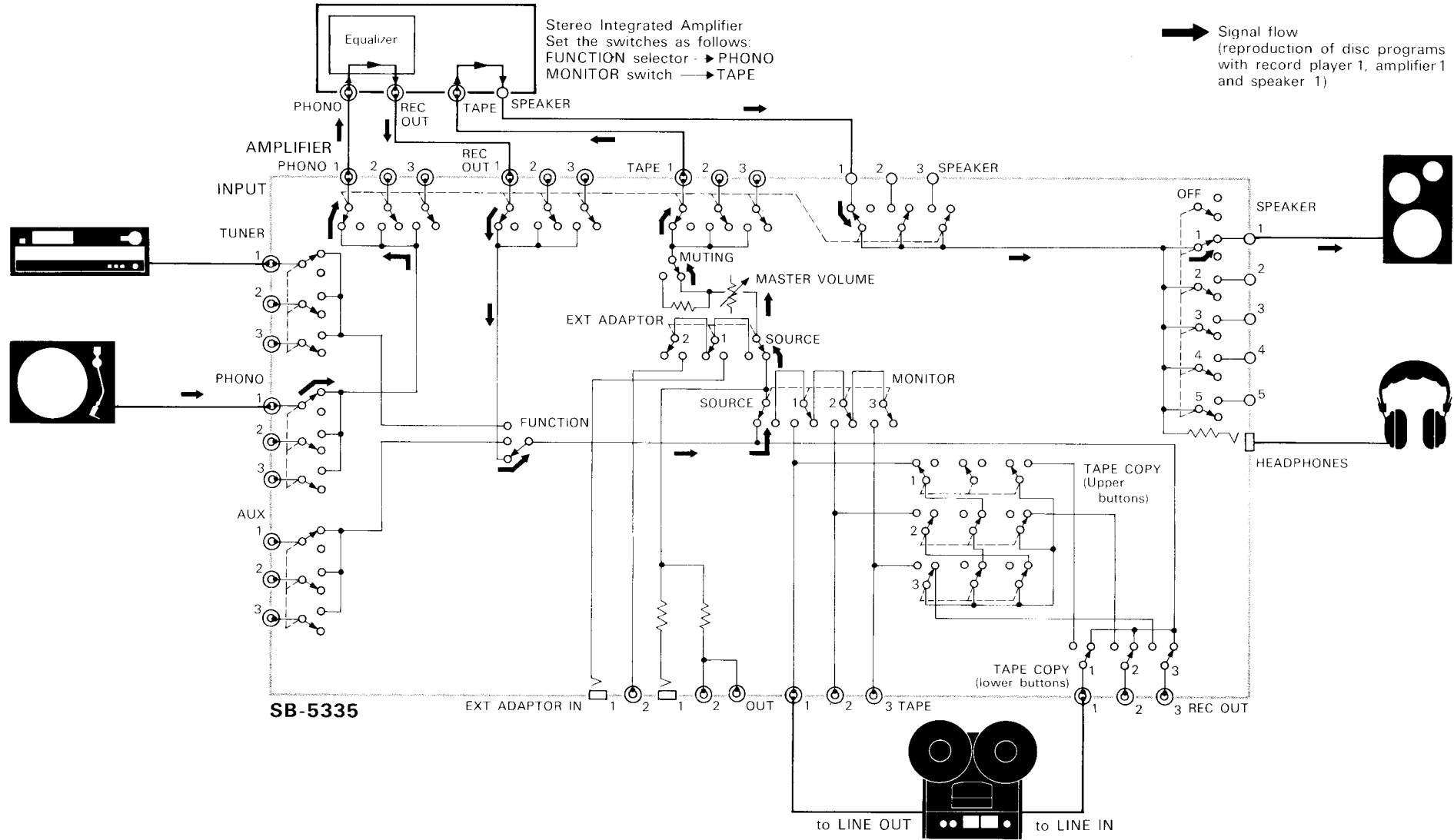
- Observe the polarity (+ -) connection) of speaker connections.
- Be sure to connect the ground wire of the record player to the ground terminal [GND]. Several wires can be connected to this terminal.



CONNECTION DIAGRAM

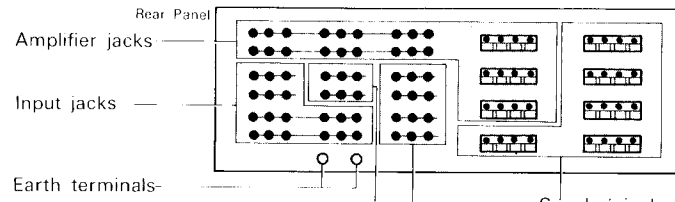


BLOCK DIAGRAM



FUNCTION OF CONTROLS

- The number of each switch corresponds to that of the jack on the rear panel. Depress the switch with the same number as the jack to which the desired equipment is connected.
- When two or more switches are simultaneously depressed, only the equipment which has the smaller number is connected.





Connecting jacks related to the buttons

External adaptor selector buttons [EXT ADAPTOR]

SOURCE ... depress this button to listen to the program selected with the FUNCTION and MONITOR selector buttons

1 depress this button to use any external adaptor connected to the front panel stereo phone jacks.

2 depress this button to use any external adaptor connected to the rear panel RCA type phono jacks

☉ Please refer to the section on EXT ADAPTOR INPUT/OUTPUT jacks for further details.



AMPLIFIER selector buttons

Select a desired amplifier by depressing the proper button.

☉ Do not depress two or more buttons at a time. If multiple buttons are depressed, the sound level will be reduced.



SPEAKER selector buttons

Select desired speakers

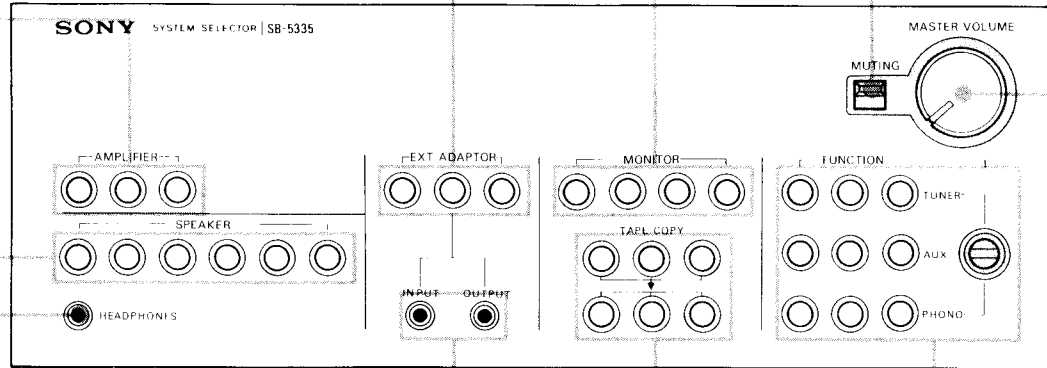
OFF depress this button to switch off all speakers. For private listening with the headphones, use this button.

1-5 depress the button of the desired speaker pair.

☉ To use two pairs of speakers simultaneously, depress the number 1 button and another desired button. When you depress multiple buttons except for 1, only the smallest number button will be activated.

HEADPHONES jack

This accept headphones of 8-ohms or more.



External adaptor INPUT/OUTPUT jacks

There are a pair of stereo phone jacks on the front panel and RCA type phono jacks on the rear panel, and an extra pair of phono type OUTPUT jacks is furnished on the rear panel.

Paired external adaptor jacks are normally used to insert a signal processing device into the signal path, such as a Dolby noise reduction unit or an octave equalizer, etc. Besides a tape recorder can be connected here for recording and playback. If no such device is connected, depressing the 1 or 2 button will open the signal path and no program will be heard.

It is also possible to use the INPUT jacks as a supplement to the 3 AUX positions by connecting a tuner, tape recorder, etc. (but not a record player) to these jacks, either on the front or rear panel.

With such a connection, the connected signal source, when selected, has priority over all other signal sources, but tape recording cannot be accomplished.



MONITOR buttons

SOURCE to listen to the program selected with the FUNCTION selector buttons.

TAPE 1 3 to listen to a tape program, depress the proper button.

TAPE COPY buttons

● Upper buttons
Select a tape recorder for playback when duplicating tapes.

● Lower buttons
Select a tape recorder for recording when duplicating tapes.

☉ Be sure to keep all lower buttons released except for tape copy. Otherwise the tuner or record player programs cannot be recorded.

MUTING switch

When the MUTING switch is set to -20 dB, overall listening sound level is reduced by that amount.

This feature is useful when you lower the tonearm onto the disc or when you answer the telephone. When setting it back afterwards, you can restore exactly the same listening level as before. For normal operation, set the MUTING switch to the upper position.

MASTER VOLUME control

This controls the sound level of the entire system. When setting up the system, adjust the volume of each amplifier to the same level. You can then switch amplifiers without re-adjusting the level with each change. With fully clockwise rotation, the sound level established with the individual volume controls of the connected amplifiers is available.

☉ Be sure to rotate this control fully counterclockwise each time you turn on or shut down the connected equipment.

FUNCTION selector buttons

● Lever on the right-hand side
Select the type of program source.
TUNER to listen to broadcasts with a tuner.

AUX to listen to auxiliary programs such as tuners, tape recorders, etc., except for record players.

PHONO to listen to disc programs.

● Buttons on the left-hand side
Select a desired tuner, record player, etc.

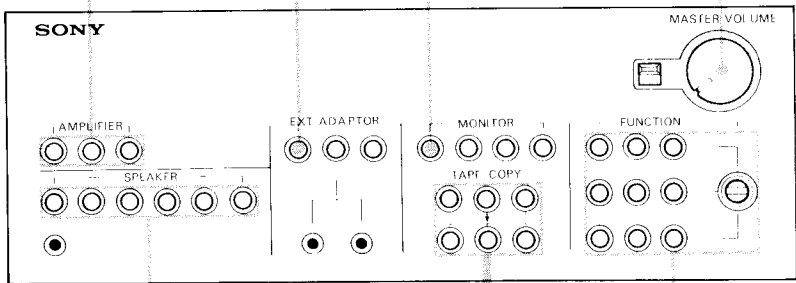
Dimensions: Approx. 430 (w) × 167 (h) × 325 (d) mm
(16-7/8 × 6-5/8 × 12-3/4 inches)
including projecting parts and controls

Weight: Approx. 6.5kg (14 lb 5 oz) net
Approx. 8.4kg (18 lb 8 oz) in shipping carton

HOW TO USE

1 To listen to an input program source

- 4 Select an amplifier.
- 3 Depress the SOURCE button.
- 2 Depress the SOURCE button.
- 6 Adjust the volume (no effect upon the recording level)

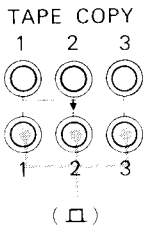


5 Select speakers.

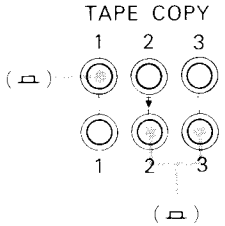
1 Select an input program source.

While listening to the program source

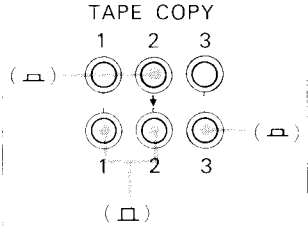
Recording of the input program



Tape copy (from Tape recorder 1 to Tape recorders 2 and 3)



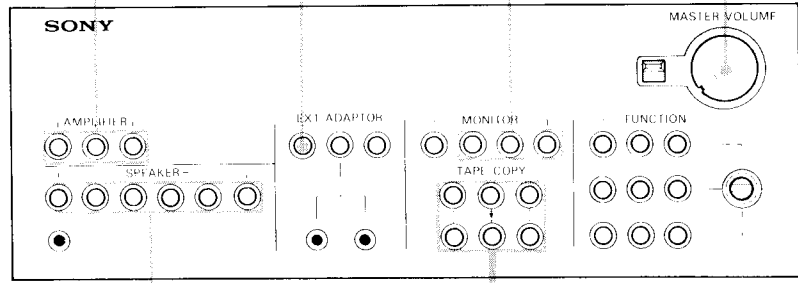
Recording of the input program to Tape recorder 1 and Tape copy (from Tape recorder 2 to 3)



□ Released
● Depressed

2 To listen to a tape program

- 3 Select an amplifier.
- 2 Depress the SOURCE button.
- 1 Select a tape recorder.
- 5 Adjust the volume



4 Select speakers.

While listening to a tape program, you can record the input program, and also can duplicate tape programs.

*Unless external adaptor is used