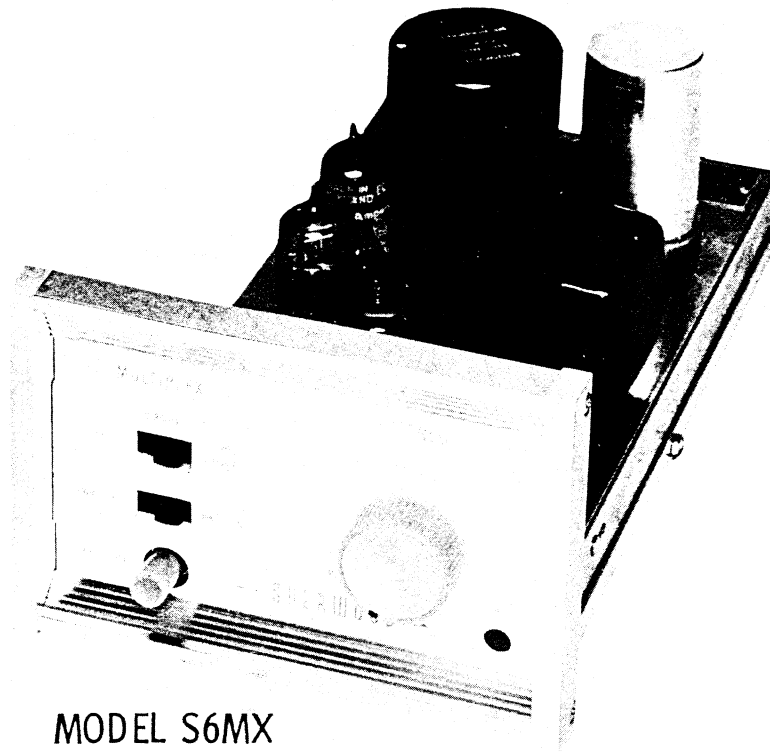


**SHERWOOD MODELS  
S2MX, S4MX, S6MX, SWMX**

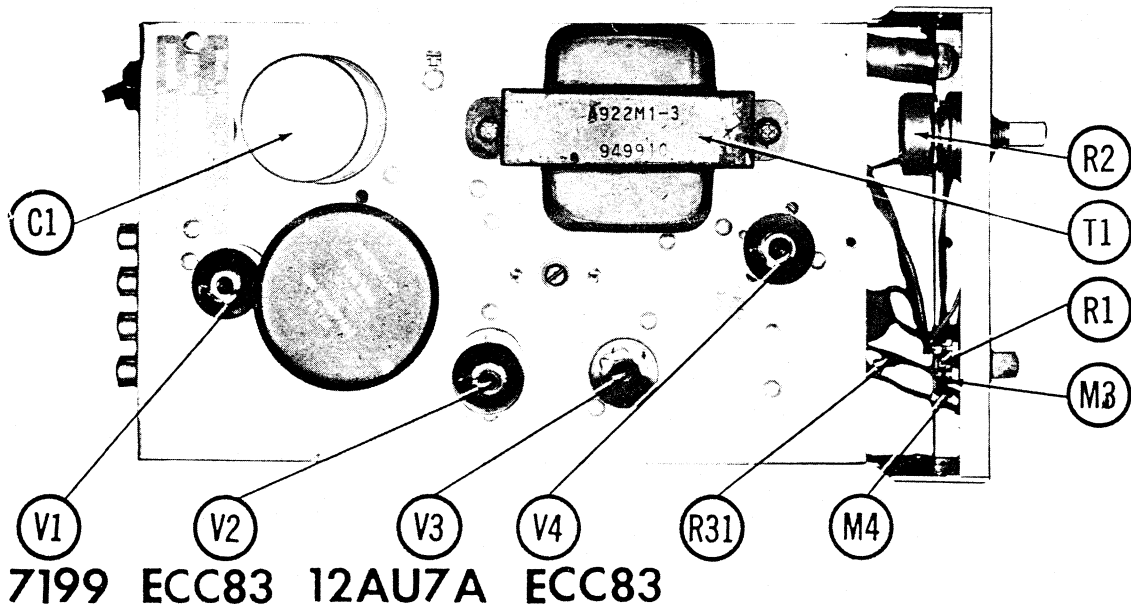
**SHERWOOD MODELS  
S2MX, S4MX, S6MX, SWMX**

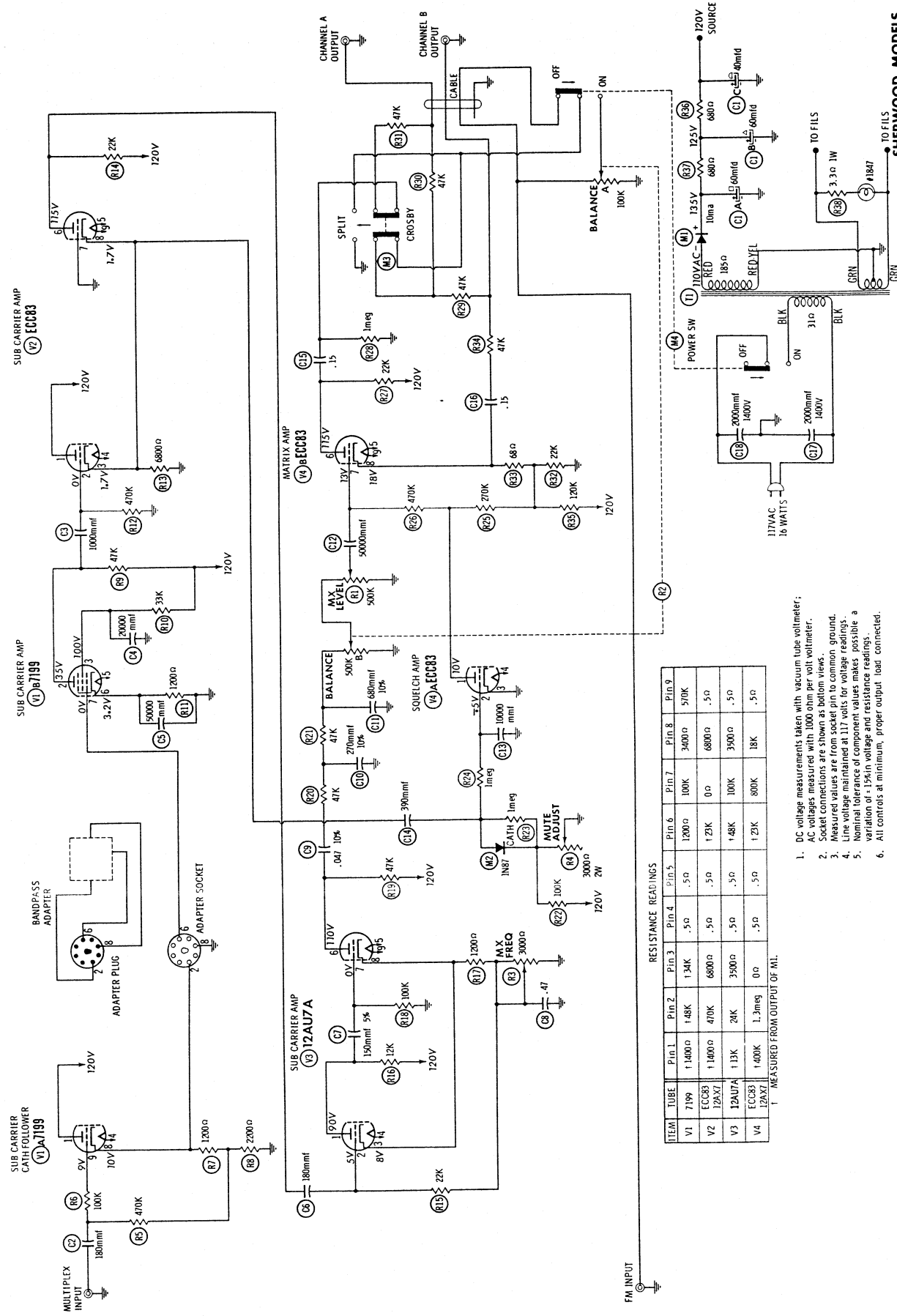


**MODEL S6MX**

**SHERWOOD MODELS  
S2MX, S4MX, S6MX, SWMX**

TRADE NAME	Sherwood Models S2MX, S4MX, S6MX, SWMX		
MANUFACTURER	Sherwood Electronic Laboratories, Inc., 4300 N. California Ave., Chicago 18, Illinois		
TYPE SET	AC Operated 4 Tube Multiplex Adapter		
POWER SUPPLY	110 - 125 Volts AC, 60 Cycles	RATING	16 Watts, 15 Amp. @117 Volts AC





RESISTANCE READINGS

ITEM	TUBE	Pin 1	Pin 2	Pin 3	Pin 4	Pin 5	Pin 6	Pin 7	Pin 8	Pin 9
V1	12AU7A	11400 Ω	148K	1.34K	-.5 Ω	1200 Ω	100K	3400 Ω	570K	
V2	ECC83	11400 Ω	470K	6800 Ω	-.5 Ω	1.23K	0 Ω	6800 Ω	.5 Ω	
V3	12AU7A	113K	24K	3500 Ω	-.5 Ω	1.48K	100K	3500 Ω	.5 Ω	
V4	ECC83	1400K	1.3meg	0 Ω	-.5 Ω	1.23K	800K	18K	.5 Ω	

† MEASURED FROM OUTPUT OF MIL.

1. DC voltage measurements taken with vacuum tube voltmeter; AC voltages measured with 1000-ohm per volt voltmeter.
2. Socket connections are shown at bottom views.
3. Measured values are from socket pin to common ground.
4. Line voltage maintained at 117 volts for voltage readings.
5. Nominal tolerance of component values makes possible a variation of ±1.5% in voltage and resistance readings.
6. All controls at minimum, proper output load connected.

SHERWOOD MODELS  
S2MX, S4MX, S6MX, S7MX

# PARTS LIST AND DESCRIPTIONS

## GENERAL ELECTRIC • RAYTHEON • SYLVANIA

ITEM No.	USE	TYPE	ITEM No.	USE	TYPE
V1	Sub Carrier Cath. Follower	7189	V3	Sub Carrier Amplifier	12A UTA
V2	Sub Carrier Amplifier	ECC83/12AX7	V4	Speech Amp. - Matrix Amp	ECC83/12AX7

## ELECTROLYTIC CAPACITORS

ITEM No.	RATING		REPLACEMENT DATA						NOTES
	CAP.	VOLT.	SHERWOOD PART No.	AEROVOX PART No.	CORNELL-DUBILIER PART No.	MALLOY PART No.	PYRAMID PART No.	SPRAGUE PART No.	
C1A	460	200		AFH3-25-50	BD190	F P250	TJMD2205	TYLS-3485.5*	
C1B	460	200			BR4025	TC68	TJ-40-250		
C1C	40	200							

\* Not normally in distributor's stock. Available thru distributor on order to manufacturer.

## FIXED CAPACITORS

Capacity values given in the rating column are in mfd. for Paper Capacitors, and in mfd. for Mica and Ceramic Capacitors.

ITEM No.	RATING	REMARKS	REPLACEMENT DATA					
			AEROVOX PART No.	CORNELL-DUBILIER PART No.	ELMCO PART No.	MALLOY PART No.	SPRAGUE PART No.	
C2	180		DD-180	LI07T18	CCD-181	GP318	10TS-T18	
C3	1000		BPD-001	BVA10D1	CCD-102	GP210	5HK-D10	
C4	20000		BPD-02	BYB6S2	CCD-203	GP120	5HK-S20	
C5	50000		BPD-05	DD-503	DD-503	GP150	5HK-S50	
C6	180		DD-180	LI07T18	CCD-181	GP318	10TS-T18	
C7	150 5%		.47 200V	DTZ-150	CCD-150	GP315	10TTC-T15	
C8	.47 200V		.47 400V 10%	P288N-47	2D P-5-474	GEM-2047	2TM-447	
C9	270 10%		84C4S47-10%	V84C4S47-10%	4D P-3-473	GP327	10TS-447	
C10	680 10%		DD-680	LI07T68	CCD-271	GP368	10TS-478	
C11	50V		DD-503	BVA10S1	CCD-681	GP160	5HK-S50	
C12	10000		BPD-05	LI0739	CCD-103	GP139	5HK-S10	
C13	390		DD-391	CUB22P15	CCD-391	GP139	10TS-T19	
C14	15 200V		DD-15	CUB22P15	2D P-3-154	GEM-2015	2TM-415	
C15	15 200V		DD-15	CUB22P15	2D P-3-154	GEM-2015	2TM-415	
C16	15 200V		DD-15	CUB22P15	3CCD-202	UAC-220	30GA-D20	
C17	2000 1400V		DD30-204	HVC18D2	3CCD-202	UAC-220	30GA-D20	
C18	2000 1400V		DD30-204	HVC18D2	3CCD-202	UAC-220	30GA-D20	

## CONTROLS

ITEM No.	RATING		REPLACEMENT DATA				INSTALLATION NOTES
	RESISTANCE	WATTS	SHERWOOD PART No.	CENTRALAB PART No.	CLAROSTAT PART No.	CITS-IRC PART No.	
RA1	500K	1/2 (W)	A670M2			BLI-112	SU-8
RA2	100K	1/2 (W)	A670M1			TM4	Not Req.
RA3	5000K	1/2 (W)	A670M3			FL3K	MX Level Balance A
RA4	3000K	2 (W)		TT-8 Not Req.	B47-3000-S Not Req.	112-3000	MX Frequency

## RESISTORS (IRC or EQUIVALENT)

All wattages 1/2 watt, or less, unless otherwise listed.

ITEM No.	RATING	REMARKS	ITEM No.	RATING	REMARKS
R5	470K		R20	47K	
R6	100K		R30	47K	
R7	1200Ω		R31	47K	
R8	2200Ω		R32	22K	
R9	47K		R33	68K	
R10	33K		R34	47K	
R11	1200Ω		R35	120K	
R12	470K		R36	680Ω	
R13	6800Ω		R37	680Ω	
R14	22K		R38	3.3Ω 1W	
R15	22K				
R16	12K				

## TRANSFORMER (POWER)

ITEM No.	RATING		REPLACEMENT DATA				NOTES
	PRI. LITV @ .15A	SEC. 1 100V @ .010A	SHERWOOD PART No.	Mech PART No.	Stancor PART No.	Thorndon PART No.	
T1	.15A	.010A	A922M1-3				

## POWER RECTIFIERS

ITEM No.	RATING	SHERWOOD PART No.	REPLACEMENT DATA	NOTES
M1	.010A	*	RCA IN1763 * SARKES 65A * SARKES SVAZIAN SYLVANIA SR200 * Selenium Type * Silicon Type	

## SIGNAL DIODES

ITEM No.	ORIG. TYPE	REPLACEMENT DATA			NOTES
		SHERWOOD PART No.	GENERAL ELECTRIC PART No.	RAYTHEON PART No.	
M2	IN87	IN87	IN87	IN87	Multiplex Det. (Pigtail)

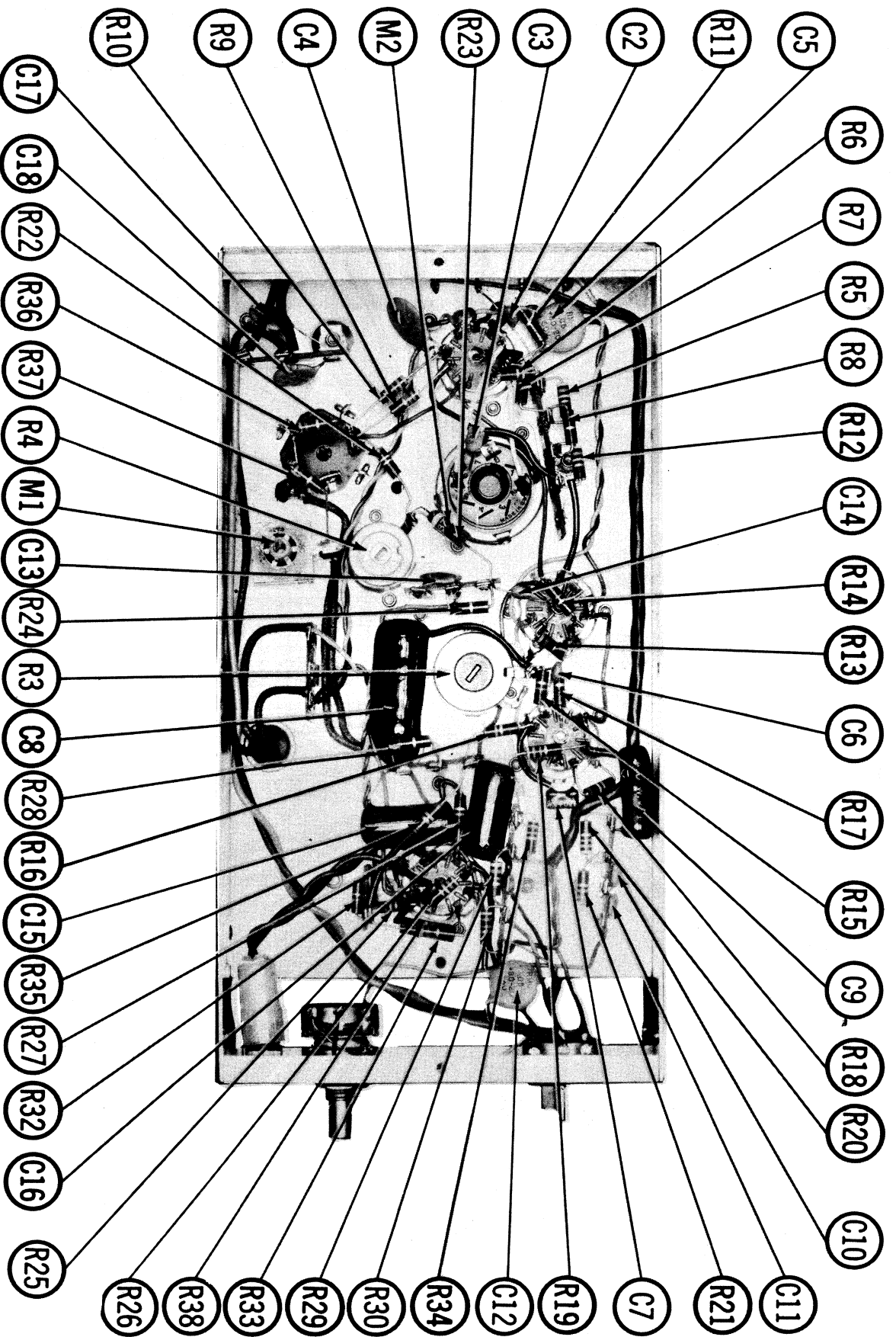
## MISCELLANEOUS

ITEM No.	PART NAME	SHERWOOD PART No.	NOTES
M3	Switch		Built-Crosley (DPDT, Slide Type)
M4	Switch		Power Off-On (DPDT, Slide Type)

## WIRING DATA

General-use Unshielded Hook-up Wire ..... Use BELDEN No. 8530 (Solid) Available in Ten Colors  
 Power Cord ..... Use BELDEN No. 8524 (Stranded) Available in Ten Colors  
 Use BELDEN No. 1785-B (6 Ft. Length)  
 Use BELDEN No. 1785-K (7 1/2 Ft. Length)

XWMS 'XW95 'XW5 'XW2S  
 SHERWOOD MODELS



CHASSIS BOTTOM VIEW