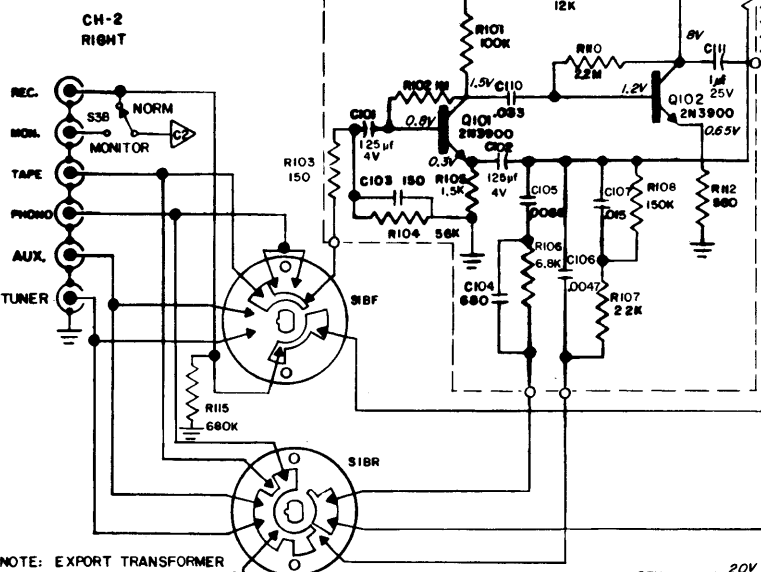
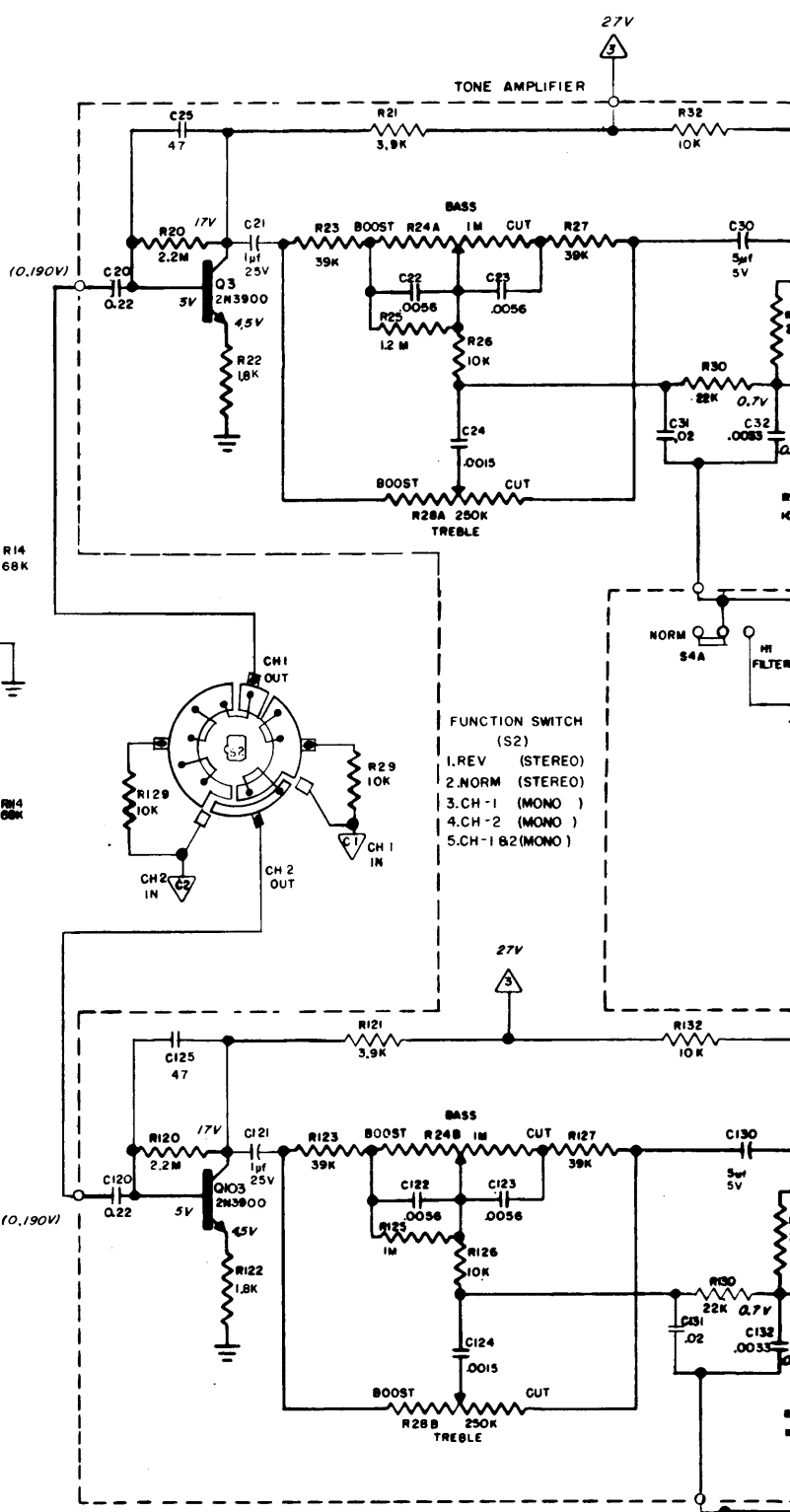
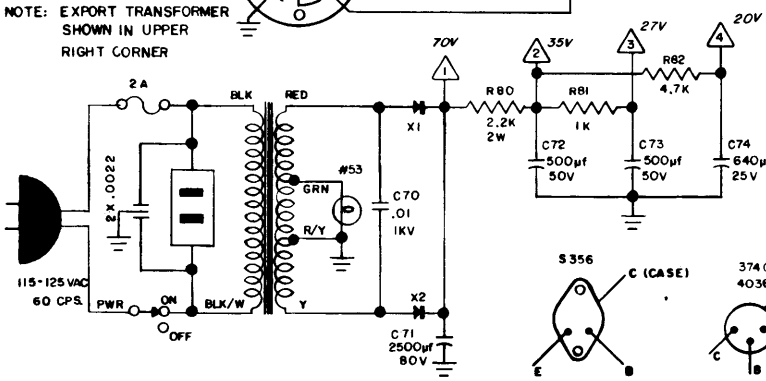


SELECTOR SWITCH (S1)

1	TP HEAD	1.3 MV
2	PHONO	1.6 MV
3	TUNER	190 MV
4	AUX	190 MV

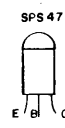
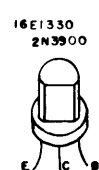


NOTE: EXPORT TRANSFORMER SHOWN IN UPPER RIGHT CORNER

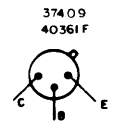
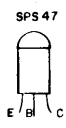
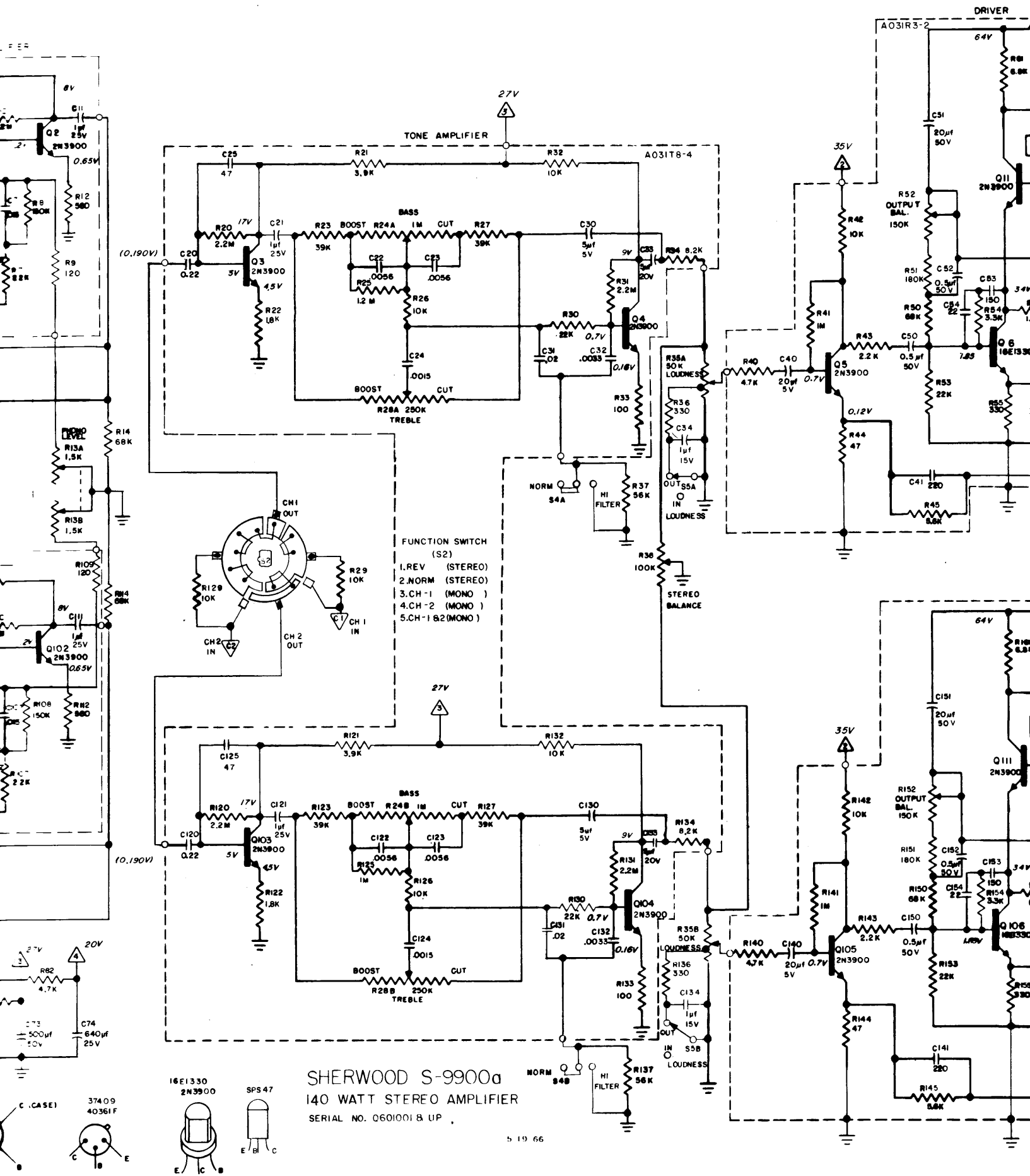


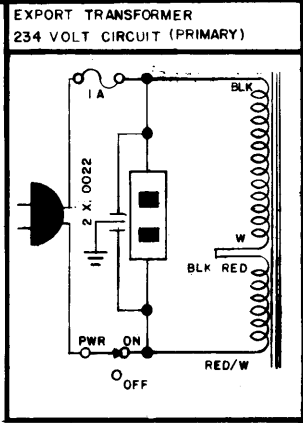
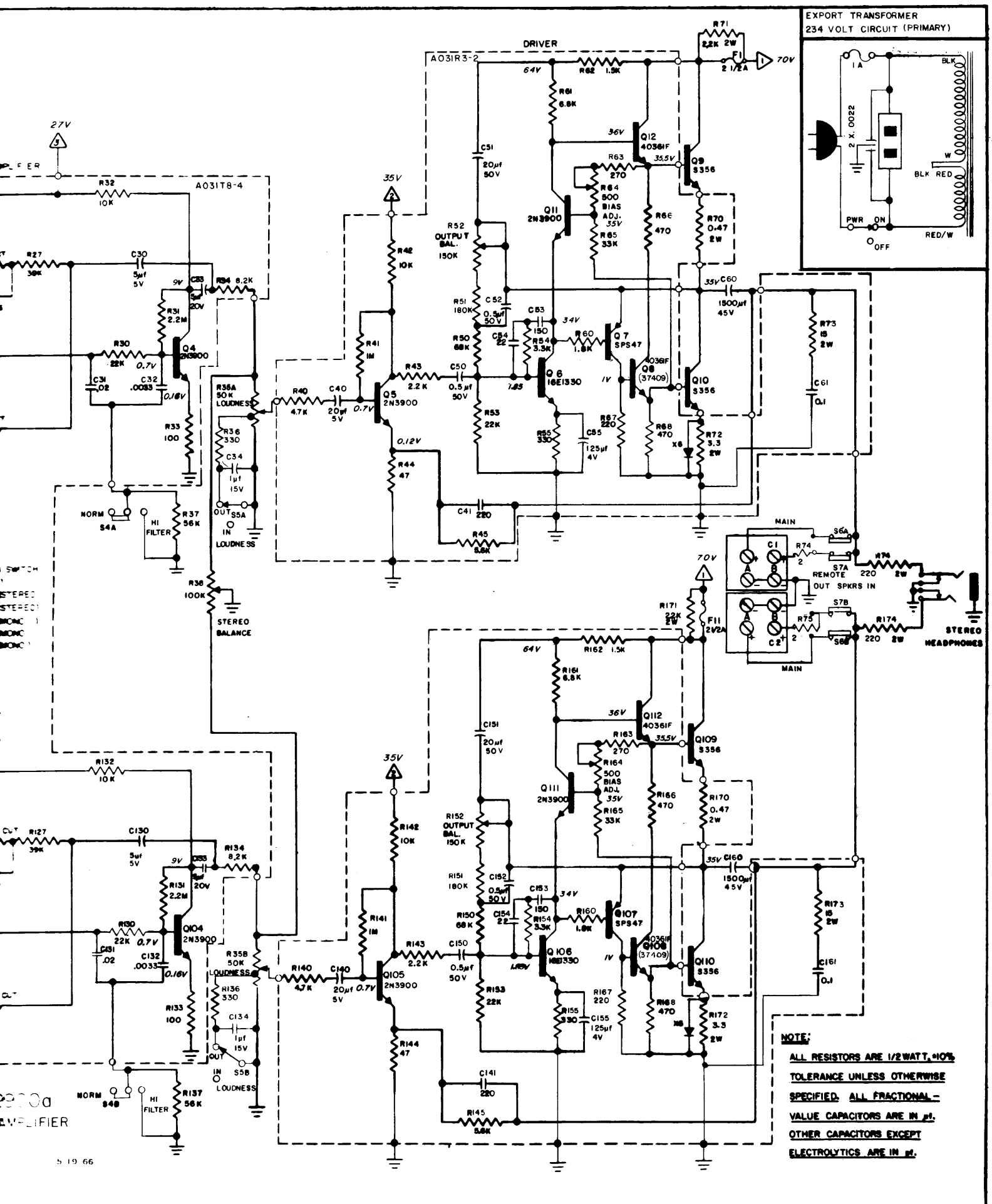
FUNCTION SWITCH (S2)

1. REV (STEREO)
2. NORM (STEREO)
3. CH-1 (MONO)
4. CH-2 (MONO)
5. CH-1 & 2 (MONO)



SHERWOOD S-9900a  
140 WATT STEREO AMPLIFIER  
SERIAL NO. 0601001 & UP





**NOTE:**  
ALL RESISTORS ARE 1/2 WATT, 10% TOLERANCE UNLESS OTHERWISE SPECIFIED. ALL FRACTIONAL-VALUE CAPACITORS ARE IN µF. OTHER CAPACITORS EXCEPT ELECTROLYTICS ARE IN mF.