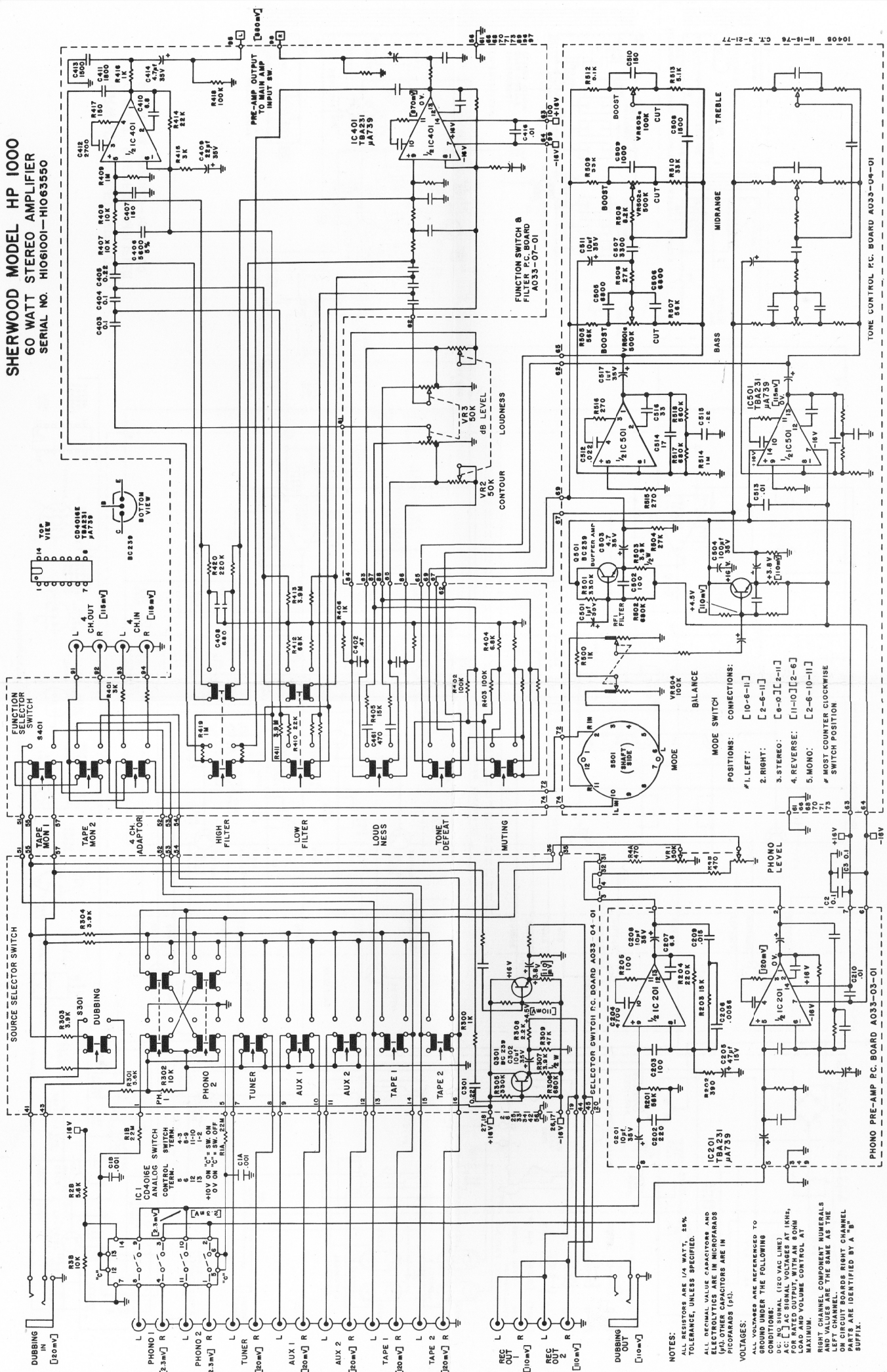


SHERWOOD MODEL HP 1000
60 WATT STEREO AMPLIFIER
 SERIAL NO. H1061001-H1063550



NOTES:
 ALL RESISTORS ARE 1/4 WATT, 5% TOLERANCE, UNLESS SPECIFIED.
 ALL DECIMAL VALUE CAPACITORS AND ELECTROLYTICS ARE IN MICROFARADS (MFD).
 ALL OTHER CAPACITORS ARE IN PICOFARADS (PF).
VOLTAGES:
 ALL VOLTAGES ARE REFERENCED TO GROUND UNLESS THE FOLLOWING CONDITIONS:
 DC: NO SIGNAL (120 VAC LINE)
 AC: 1/2 AC SIGNAL VOLTAGES AT 1KHZ, LOAD AND VOLUME CONTROL AT MAXIMUM.
 RIGHT CHANNEL COMPONENT NUMERALS ON CIRCUIT BOARDS RIGHT CHANNEL PARTS ARE IDENTIFIED BY A "B" SUFFIX.

MODE SWITCH CONNECTIONS:
 POSITIONS:
 #1. LEFT: [10-6-11]
 #2. RIGHT: [2-6-11]
 #3. STEREO: [8-0][2-11]
 #4. REVERSE: [11-10][2-6]
 #5. MONO: [2-6-10-11]
 # MOST COUNTER CLOCKWISE SWITCH POSITION

TONE CONTROL P.C. BOARD A033-03-01

PHONO PRE-AMP P.C. BOARD A033-03-01

10408 H-18-76 C7 3-21-77

