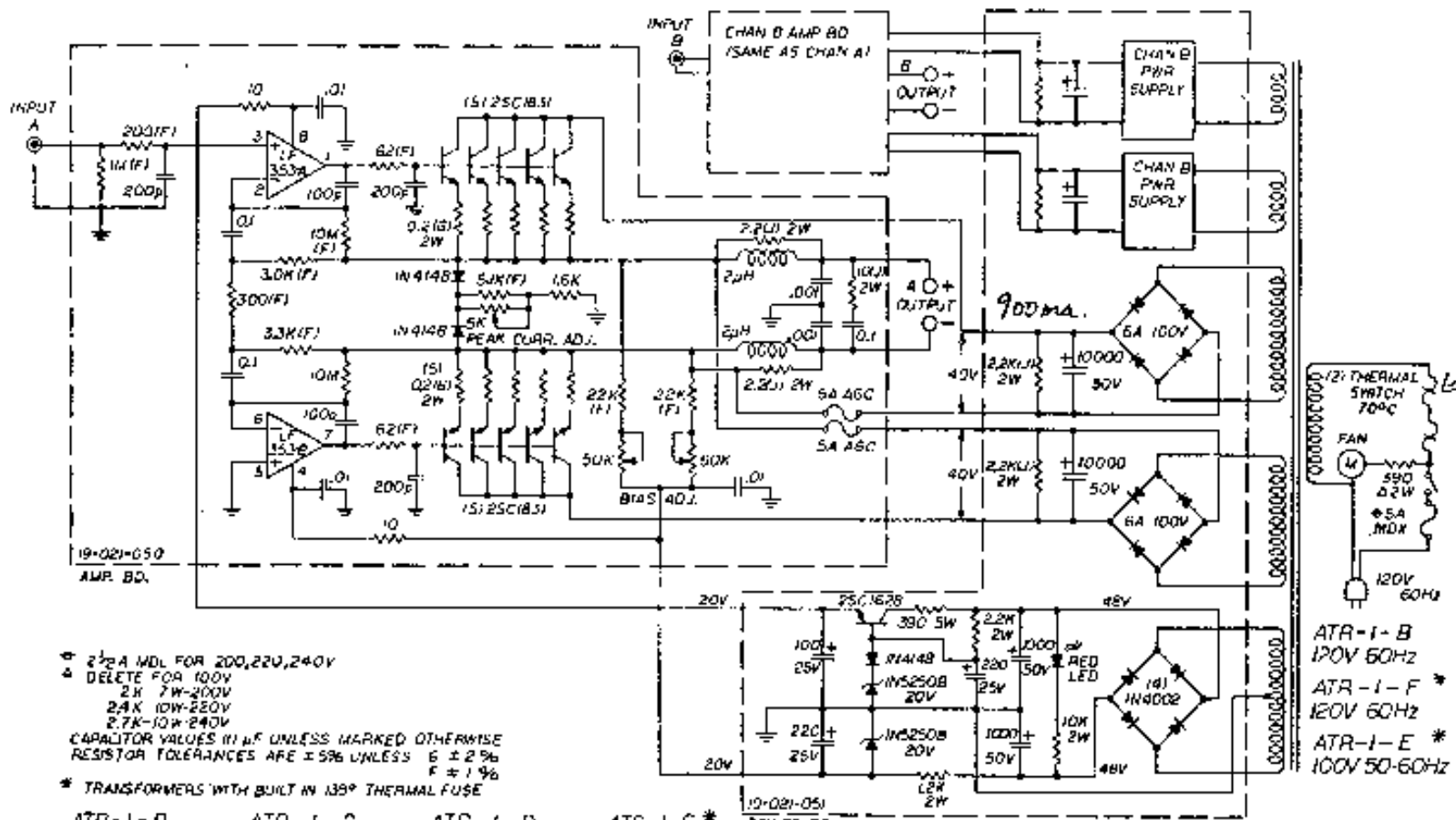
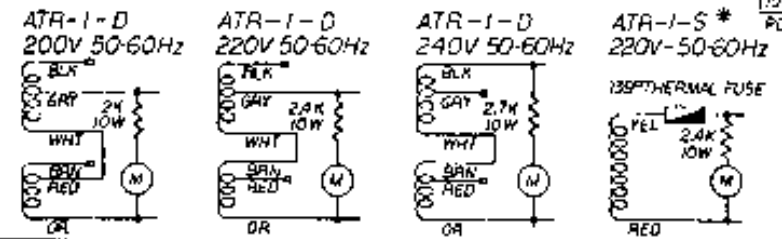


CIRCUIT TOPOLOGY COVERED BY U.S. PATENT NO. 4229706



- * 2 1/2A MDL FOR 200,220,240V
- * DELETE FOR 100V
- 2K 7W-200V
- 2.4K 10W-220V
- 2.7K-10W-240V
- CAPACITOR VALUES IN μ F UNLESS MARKED OTHERWISE
- RESISTOR TOLERANCES ARE $\pm 5\%$ UNLESS
- 6 $\pm 2\%$
- F $\pm 1\%$
- * TRANSFORMERS WITH BUILT IN 135 $^{\circ}$ THERMAL FUSE



SUMO/ALL AMERICAN AUDIO, INC.
 (213) 991-5330 Westlake, CA

| | | |
|-------|---------------------------------------------------------|----------|
| DATE | 6-22-81 | |
| MODEL | M11E - DUAL DIFFERENTIAL 70WATTS/CHAN CLASS A AMPLIFIER | |
| DRAWN | REPR. | PART NO. |
| REV. | 6 | |