

RS-183A AMP PARTS LIST AND DESCRIPTIONS

RESISTORS (cont)

ITEM No.	RATING	REPLACEMENT DATA		REMARKS	ITEM No.	RATING	REPLACEMENT DATA		REMARKS	ITEM No.	RATING	REPLACEMENT DATA		REMARKS
		WORKMAN TV PART No.	IRC PART No.				WORKMAN TV PART No.	IRC PART No.				WORKMAN TV PART No.	IRC PART No.	
R114	10K				R133	8200Ω				R133	8200Ω			
R115	100K				R134	Image				R134	Image			
R116	1000Ω				R135	82K				R135	82K			
R117	10000				R136	5600Ω				R136	5600Ω			
R118	470K				R137	8200Ω				R137	8200Ω			
R119	100K				R138	56K				R138	56K			
R120	100K				R139	22K				R139	22K			
R121	100K				R140	27K				R140	27K			
R122	100K				R141	2700Ω				R141	2700Ω			
R123	100K				R142	22K				R142	22K			
R124	56K				R143	470K				R143	470K			
R125	22K				R144	1300 4W				R144	1300 4W			
R126	27K				R145	470K				R145	470K			
R127	2700Ω				R146	12000 2W				R146	12000 2W			
R128	22K				R147	82Ω 2W				R147	82Ω 2W			
R129	470K				R148	2200Ω 2W				R148	2200Ω 2W			
R130	1300 4W				R149	9100 4W				R149	9100 4W			
R131	470K				R150	2200Ω 1W				R150	2200Ω 1W			
R132	5600Ω													

FILTER CHOKE

ITEM No.	CURRENT (Measured)	DC RES. (1000 Ω)	RATINGS	REPLACEMENT DATA		ITEM No.	CURRENT (Measured)	DC RES. (1000 Ω)	RATINGS	REPLACEMENT DATA		ITEM No.	CURRENT (Measured)	DC RES. (1000 Ω)	RATINGS	REPLACEMENT DATA	
				INDUCTANCE (1000 μH)	THORNDEN PART No.					THORNDEN PART No.	THORNDEN PART No.					THORNDEN PART No.	
L8	.240A	60Ω	4.3 HY	RCA Victor	108424	L8	.240A	60Ω	4.3 HY	RCA Victor	108424	L8	.240A	60Ω	4.3 HY	RCA Victor	108424

TRANSFORMER (POWER)

ITEM No.	RATING	REPLACEMENT DATA		ITEM No.	RATING	REPLACEMENT DATA	
		RCA Victor PART No.	THORNDEN PART No.			RCA Victor PART No.	THORNDEN PART No.
T6	117V @ 1.65A	640VCT @ 240A	5V @ 3A	T6	117V @ 1.65A	640VCT @ 240A	5V @ 3A

TRANSFORMER (AUDIO OUTPUT)

ITEM No.	IMPEDANCE	REPLACEMENT DATA		ITEM No.	IMPEDANCE	REPLACEMENT DATA	
		RCA Victor PART No.	THORNDEN PART No.			RCA Victor PART No.	THORNDEN PART No.
T7	8200Ω CT	3-4Ω	110148	T7	8200Ω CT	3-4Ω	110148
T8	8200Ω CT	3-4Ω	108421	T8	8200Ω CT	3-4Ω	108421
T9	8200Ω CT	3-4Ω	110148	T9	8200Ω CT	3-4Ω	110148

SPEAKER

ITEM No.	TYPE	FIELD	V. C. IMP.	REPLACEMENT DATA		ITEM No.	TYPE	FIELD	V. C. IMP.	REPLACEMENT DATA	
				RCA Victor PART No.	QUAM PART No.					RCA Victor PART No.	QUAM PART No.
SP6	5 1/2" 7"	PM	3-4Ω	108975*	57A15	SP6	5 1/2" 7"	PM	3-4Ω	108975*	57A15
SP7	3 1/2" 7"	PM	6-8Ω	105395*	3A15T26.5	SP7	3 1/2" 7"	PM	6-8Ω	105395*	3A15T26.5
SP8	15" 7"	PM	3-4Ω	110141*	15A10L24	SP8	15" 7"	PM	3-4Ω	110141*	15A10L24
SP9	5 1/2" 7"	PM	3-4Ω	108975*	57A15	SP9	5 1/2" 7"	PM	3-4Ω	108975*	57A15
SP10	3 1/2" 7"	PM	6-8Ω	105395*	3A15T26.5	SP10	3 1/2" 7"	PM	6-8Ω	105395*	3A15T26.5

MISCELLANEOUS

ITEM No.	PART NAME	RCA Victor PART No.	NOTES

TUBES

ITEM No.	USE	TYPE	GENERAL ELECTRIC		RAYTHEON		SYLVANIA	
			PART No.	REMARKS	PART No.	REMARKS	PART No.	REMARKS
V19	Left Channel AF Amp. - Phase Inverter	6CG7						
V20	Left Channel Output	6BQ5 Note 1						
V21	Left Channel Output	6BQ5 Note 1						
V22	Center Channel AF Amp. - Phase Inverter	6CG7						
V23	Center Channel AF Amp. - Phase Inverter	6CG7						

Note 1. Manufacturer recommends replacing with 7189 when necessary.

ELECTROLYTIC CAPACITORS

ITEM No.	RATING	CAP.	VOLT.	REPLACEMENT DATA		ITEM No.	RATING	CAP.	VOLT.	REPLACEMENT DATA	
				RCA Victor PART No.	THORNDEN PART No.					RCA Victor PART No.	THORNDEN PART No.
C79A	40	450	450	102913		C79A	40	450	450	102913	
C80A	35	400	400	108423		C80A	35	400	400	108423	
C81A	35	400	400			C81A	35	400	400		
C82	4	10NP	25	110138		C82	4	10NP	25	110138	
C83	4	10NP	25	110138		C83	4	10NP	25	110138	

* Not normally in distributor's stock. Available thru distributor on order to manufacturer.

FIXED CAPACITORS

ITEM No.	RATING	REMARKS	REPLACEMENT DATA		ITEM No.	RATING	REMARKS
			CORNELL-DUBILIER PART No.	ELMenco PART No.			
C84	.001 600V 10%		PM6D1	GEM-102	C84	.001 600V 10%	
C85	.01 400V 10%		1469-00047	CM-19B-471K	C85	.01 400V 10%	
C86	.01 400V 10%		Y8C4S1-10%	GEM-1611	C86	.01 400V 10%	
C87	.01 400V 10%		Y8C4S1-10%	GEM-1611	C87	.01 400V 10%	
C88	.01 400V 10%		NFO-S1 100	GF310	C88	.01 400V 10%	
C89	.068 200V 10%		Y8C4S88-10%	GEM-1626	C89	.068 200V 10%	
C90	.0088 400V 10%		Y8C4S88-10%	GEM-1626	C90	.0088 400V 10%	
C91	.047 400V 10%		Y8C4S47-10%	GEM-1615	C91	.047 400V 10%	
C92	.018 200V 10%		P86CM-018	GEM-1012	C92	.018 200V 10%	
C93	.047 400V 10%		Y8C4S47-10%	GEM-1615	C93	.047 400V 10%	
C94	.0088 400V 10%		Y8C4S47-10%	GEM-1615	C94	.0088 400V 10%	
C95	.27 400V 10%		Y8C4F25-10%	GEM-1626	C95	.27 400V 10%	
C96	.27 400V 10%		Y8C4F25-10%	GEM-1626	C96	.27 400V 10%	
C97	.27 400V 10%		Y8C4F25-10%	GEM-1626	C97	.27 400V 10%	
C98	.001 600V 10%		NFO-S1 100	GF310	C98	.001 600V 10%	
C99	.01 400V 10%		1469-00047	CM-19B-471K	C99	.01 400V 10%	
C100	.01 400V 10%		Y8C4S1-10%	GEM-1611	C100	.01 400V 10%	
C101	.01 400V 10%		Y8C4S1-10%	GEM-1611	C101	.01 400V 10%	
C102	.01 400V 10%		Y8C4S1-10%	GEM-1611	C102	.01 400V 10%	
C103	.01 400V 10%		NFO-S1 100	GF310	C103	.01 400V 10%	

RESISTORS

All wattages 1/2 watt, or less, unless otherwise listed.

ITEM No.	RATING	REMARKS	REPLACEMENT DATA		ITEM No.	RATING	REMARKS
			WORKMAN TV PART No.	IRC PART No.			
R100	220K				R107	27K	
R101	Image				R108	2700Ω	
R102	82K				R109	22K	
R103	8200Ω				R110	470K	
R104	8200Ω				R111	1300 4W	
R105	56K				R112	82Ω 2W	
R106	22K				R113	220K	

ALIGNMENT INSTRUCTIONS

ALIGNMENT INSTRUCTIONS—READ CAREFULLY BEFORE ATTEMPTING ALIGNMENT

Use only enough generator output to provide a usable indication.
Suggested Alignment Tools:
A1 thru A4, A8, A9, A10... GENERAL CEMENT #5097, 8727
WALSCO #2515
A5, A6... GENERAL CEMENT #5004, 5008, 5009
WALSCO #2520
A7... GENERAL CEMENT #8721, 8722
WALSCO #2519
A11, A12... GENERAL CEMENT #5009, 8195, 8274, 8275, 8728, 8729, 8987, 8988, 8989
WALSCO #2515, 2531, 2532
A13, A14... GENERAL CEMENT #5000, 5003, 5066, 8276, 8290, 9087, 9089
WALSCO #2512, 2525, 2528

AM ALIGNMENT — SELECTOR IN AM POSITION

SIGNAL GENERATOR COUPLING	SIGNAL GENERATOR FREQUENCY	RADIO DIAL SETTING	CONNECT VTVM	ADJUST	REMARKS
High side thru .01mfd to pin 7 (grid) of AM Converter. Low side to chassis.	455KC (Unmod.)	(AM) Tuning gang fully open.	DC probe to point \odot . Common to chassis.	A1, A2, A3, A4	Adjust for maximum deflection.
Fashion loop of several turns of wire and radiate signal into loop of receiver.	1620KC	"	"	A5	"
"	1400KC	1400KC Signal.	"	A6	"
"	600KC	600KC Signal.	"	A7	Adjust for maximum deflection. Repeat Steps 2, 3 and 4.

FM IF ALIGNMENT USING AM SIGNAL GENERATOR AND VTVM — SELECTOR IN FM POSITION

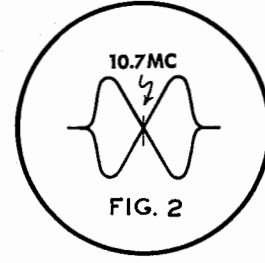
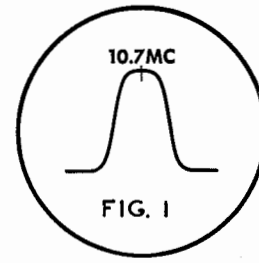
SIGNAL GENERATOR COUPLING	SIGNAL GENERATOR FREQUENCY	RADIO DIAL SETTING	CONNECT VTVM	ADJUST	REMARKS
High side thru .01mfd to pin 1 (grid) of FM Limiter. Low side to chassis.	10.7MC (Unmod.)	(FM) Point of non-interference.	DC probe thru image to point \odot . Common to chassis.	A8	Adjust for maximum deflection.
"	"	"	DC probe to point \odot . Common to chassis.	A9	Adjust for zero reading. A positive and negative reading will be obtained on either side of the correct setting.
Across FM antenna terminals.	"	"	DC probe thru image to pin 1 (grid) of FM Limiter. Common to chassis.	A10, A11, A12, A13, A14	Adjust for maximum deflection.

FM IF ALIGNMENT USING FM SIGNAL GENERATOR AND OSCILLOSCOPE — SELECTOR IN FM POSITION

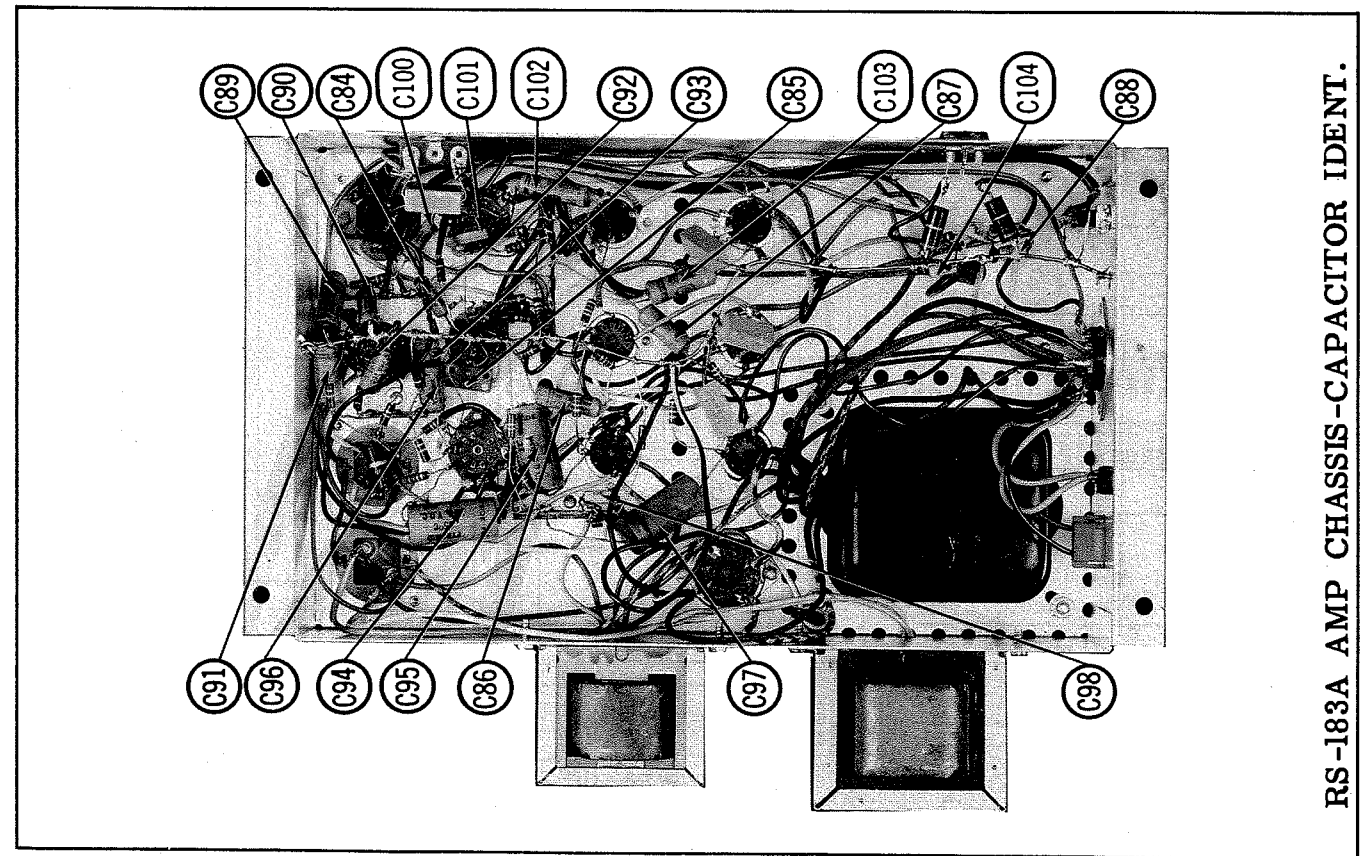
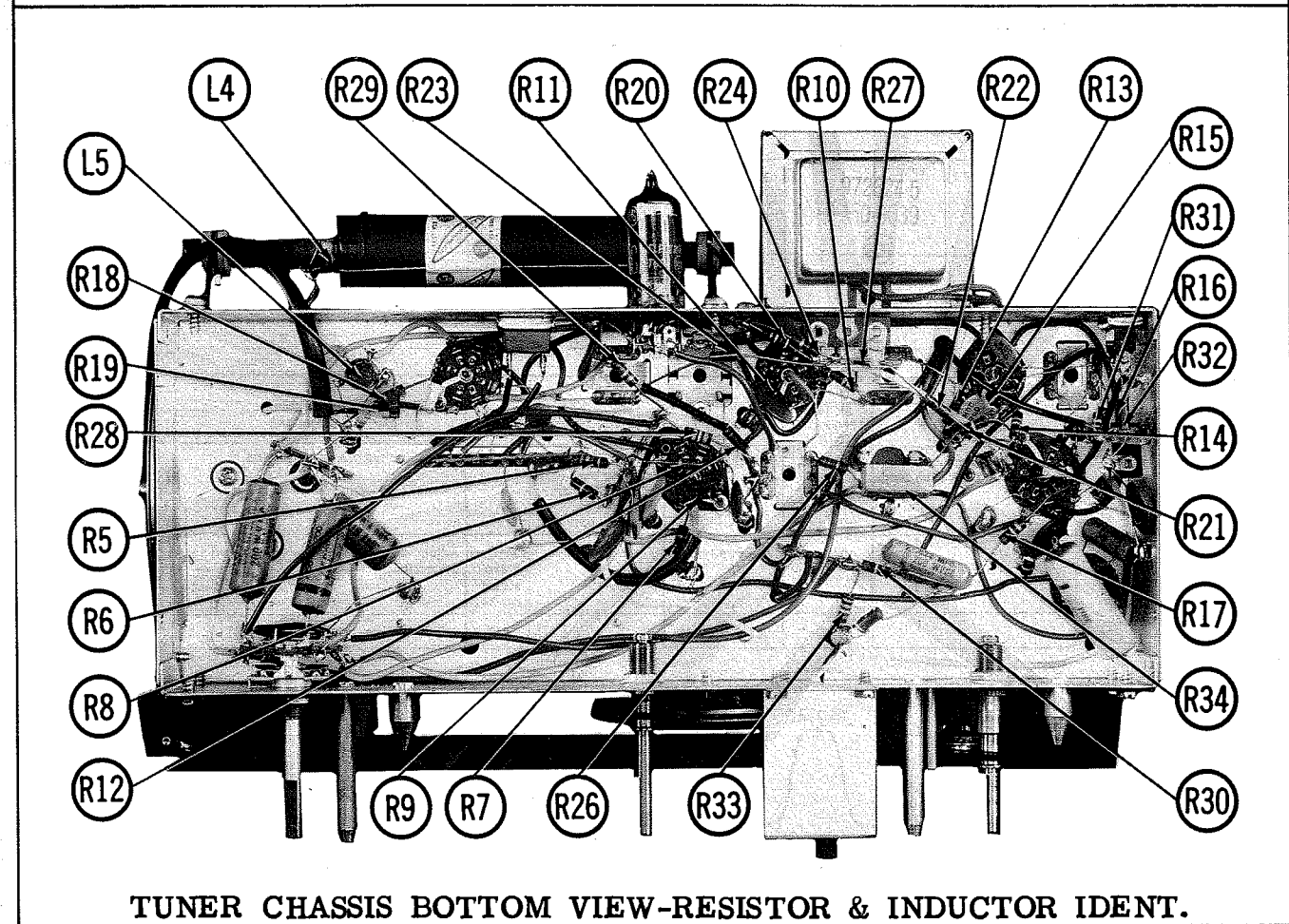
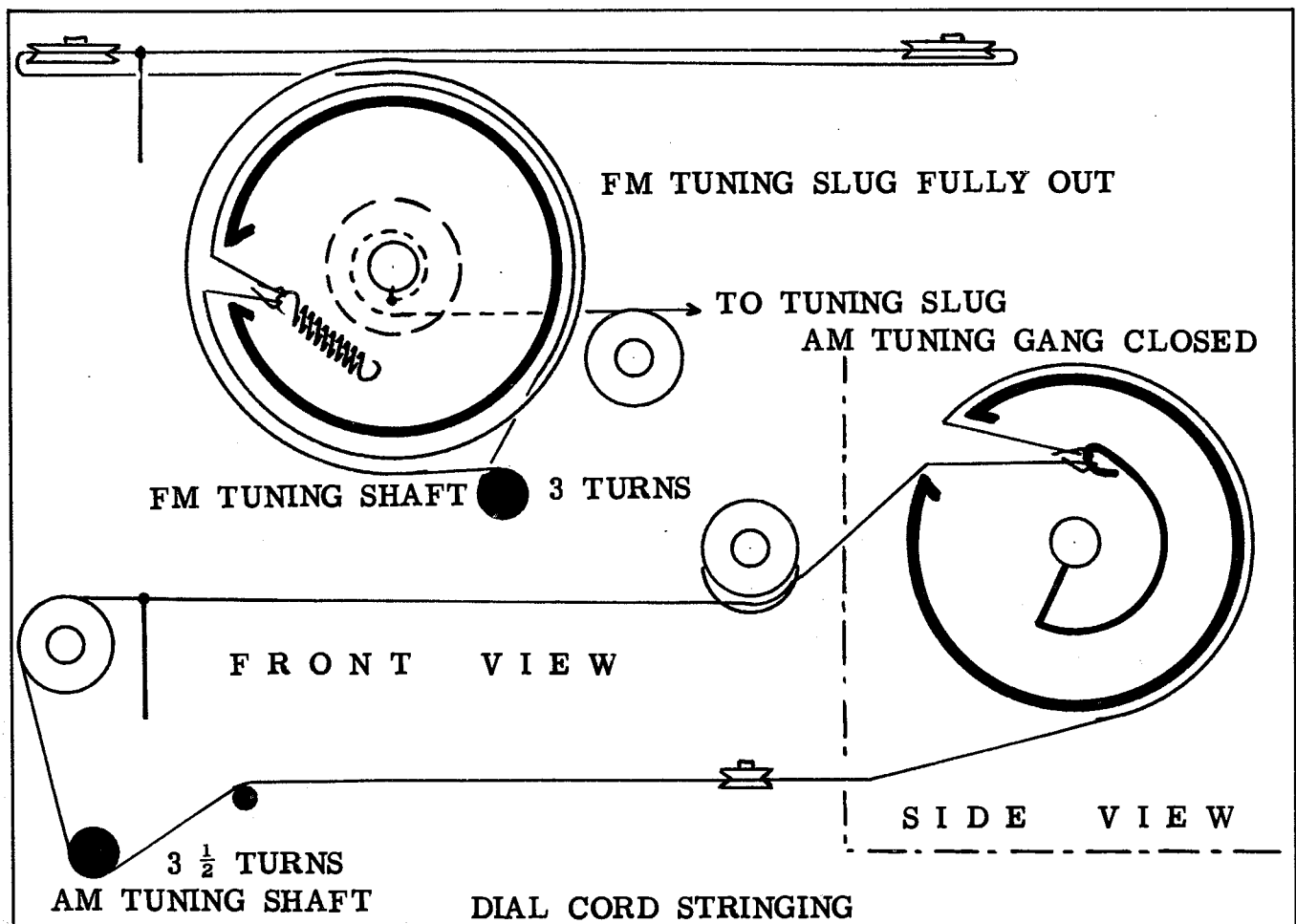
SIGNAL GENERATOR COUPLING	SIGNAL GENERATOR FREQUENCY	RADIO DIAL SETTING	CONNECT SCOPE	ADJUST	REMARKS
High side thru .01mfd to pin 1 (grid) of FM Limiter. Low side to chassis.	10.7MC (450KC Swp)	(FM) Point of non-interference.	Vert. amp. thru 47K to point \odot . Low side to chassis.	A8	Adjust for maximum gain and symmetry of response similar to Fig. 1 with markers as shown.
"	"	"	Vert. amp. to point \odot . Low side to chassis.	A9	Adjust to place marker at the center of crossover lines similar to Fig. 2. SLIGHTLY retouch A8 for maximum amplitude and straightness of crossover lines.
Across FM antenna terminals.	"	"	Vert. amp. thru 47K to pin 1 (grid) of FM Limiter. Low side to chassis.	A10, A11, A12, A13, A14	Adjust for maximum gain and symmetry of response similar to Fig. 1 with markers as shown.

FM RF ALIGNMENT — SELECTOR IN FM POSITION

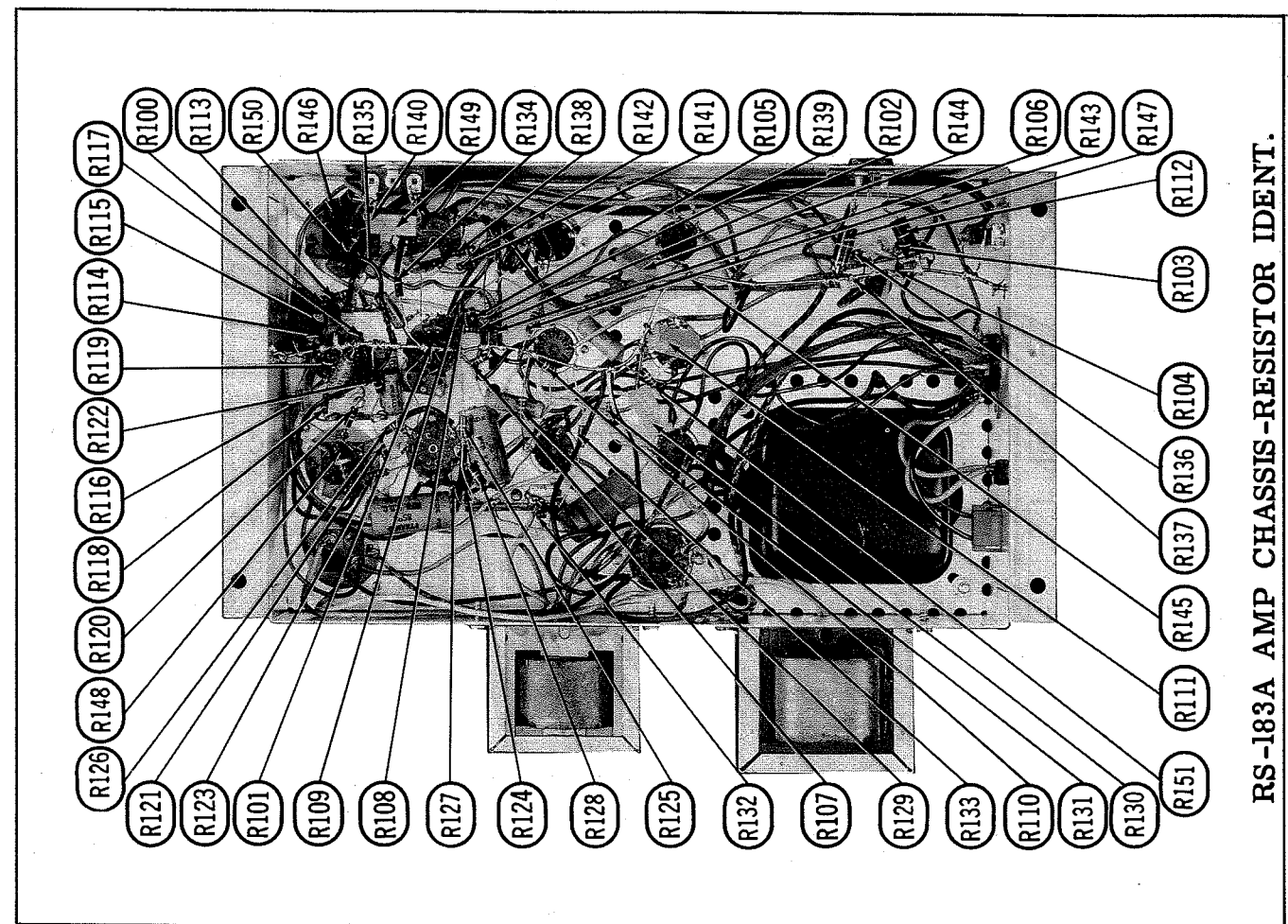
SIGNAL GENERATOR COUPLING	SIGNAL GENERATOR FREQUENCY	RADIO DIAL SETTING	CONNECT VTVM	ADJUST	REMARKS
Across FM antenna terminals with 150Ω in each lead.	87.5MC (Unmod.)	(FM) Low end stop.	DC probe thru image to pin 1 (grid) of FM Limiter. Common to chassis.	A15	Adjust for maximum deflection.
"	108.5MC	High end stop.	"	FM tuner drive string collar.	Adjust string tension for maximum deflection.
"	95MC	95MC Signal.	"	A16	Adjust for maximum deflection.



SET 569 FOLDER 14



RS-183A AMP CHASSIS-CAPACITOR IDENT.



RS-183A AMP CHASSIS-RESISTOR IDENT.

PREAMP PARTS LIST AND DESCRIPTIONS

PREAMP CHASSIS

ITEM No.	USE	TYPE	ITEM No.	USE	TYPE
V17	Left Channel A.F. Amp. - Right Channel A.F. Amp.	6CG7	V18	Left Channel A.F. Amp. - Right Channel A.F. Amp.	6CG7

ELECTROLYTIC CAPACITORS

ITEM No.	RATING	REPLACEMENT DATA
C72A	#50	CORNEILL DUBILIER PART No. X2C2-29
B	#50	WP202.1 TMD-2045

FIXED CAPACITORS

ITEM No.	RATING	REMARKS	CORNELL DUBILIER PART No.	ELMENC0 PART No.	MALLORY PART No.	SPRAGUE PART No.
C73	.047 400V 10%		P84847	4DP-3-473	GEM-1815	4TM-847
C74	.047 400V 10%		V94C4847-10%	4DP-3-473	GEM-1815	4TM-847
C75	.047 400V 10%		V94C4847-10%	4DP-3-473	GEM-1815	4TM-847
C76	.047 400V 10%		V94C4847-10%	4DP-3-473	GEM-1815	4TM-847
C77	.047 600V		P888N-047	6DP-3-473	GEM-6147	6TM-847
C78	.047 600V		P888N-047	6DP-3-473	GEM-6147	6TM-847

CONTROLS

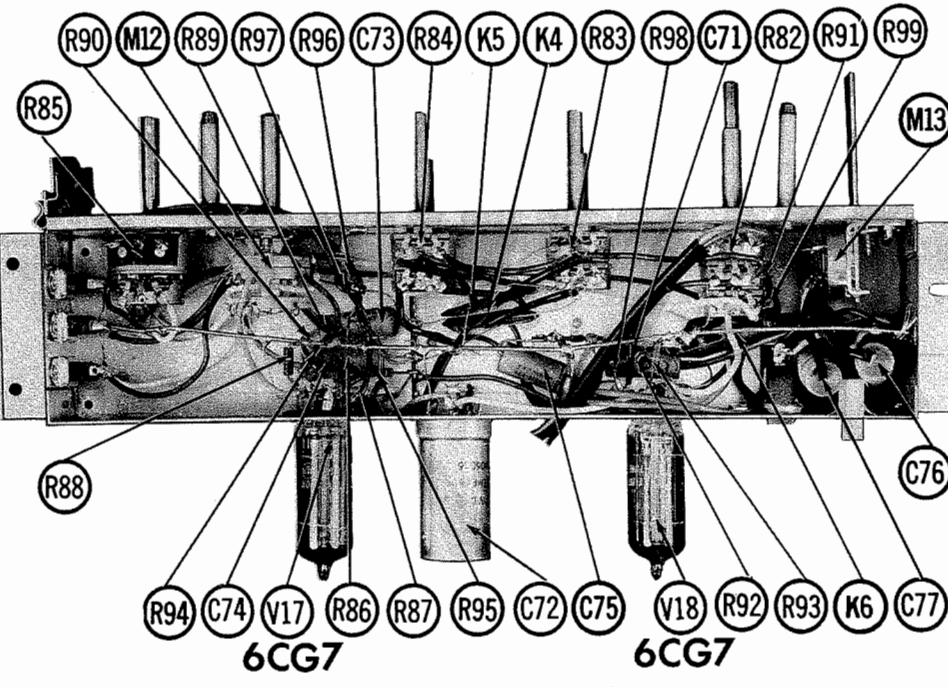
ITEM No.	USE	RESISTANCE	RCA Victor PART No.	CENTRALAB PART No.	CLAROSTAT PART No.	CTS-IRC PART No.	MALLORY PART No.
R82A	Reverberator	500K	110192				
C	Volume, Right Channel	500K					
C	Volume, Left Channel	500K					
R82A	Bases, Right Channel	500K	110182	B-60, SR-60, or (AB-60, SR-60, AK-7)	AD47-500K-Z/ FS-3		FA55A, RU55A, CS3500
B	Bases, Left Channel	500K					
R84A	Treble, Right Ch.	500K	110183	B-59, SR-59, or (AB-59, SR-59, AK-7)	AD47-500K-S/ FS-3		FA55 L, RU55L, CS3500
B	Treble, Left Ch.	500K					
R85A	Balance Indicator	90K(2W)	110190				
B	Balance	1meg					

RESISTORS

ITEM No.	RATING	REMARKS	REPLACEMENT DATA
R86	2.7meg		
R87	100K		
R88	15000		
R89	100K		
R90	82000		
R91	330K		
R92	100K		

COMPONENT COMBINATIONS

ITEM No.	USE	DESCRIPTION	RCA Victor PART No.	REPLACEMENT DATA
K4	Tone Comp.	470mf, .001mf, .0047mf, .01mf, 22K, 220K	108457	Centralab PC-378
K5	Tone Comp.	470mf, .001mf, .0047mf, .01mf, 22K, 220K	108457	Centralab PC-378
K6	Loudness Comp.	.022mf, .032mf, .047mf, .047mf, 82000, 82000, 22K, 22K	110118	



MISCELLANEOUS

ITEM No.	PART NAME	RCA Victor PART No.	NOTES
M12	Switch	108478	
M13	Switch	110149	Function (Rotary, Water Type) Off-On (Push Type)

WIRING DATA

General-use Unshielded Hook-up Wire Use BELDEN No. 8530 (Solid) Available in Ten Colors 8524 (Stranded) Available in Ten Colors

TUNER PARTS LIST AND DESCRIPTIONS

TUBES

ITEM No.	USE	TYPE	ITEM No.	USE	TYPE
V1	FM RF Amp. - FM Conv.	12DT8	V6	AM Converter	12BE6
V2	1st FM IF Amplifier	12BA6	V7	AM IF Amplifier	6EA6
V3	2nd FM IF Amplifier	12BA6	V8	Tuning Indicator	6ES
V4	FM Limiter	12AU6	V9	Rectifier	35W4
V5	Automatic Stereo Control	19T8			

ELECTROLYTIC CAPACITORS

ITEM No.	RATING	REPLACEMENT DATA
C1A	#80	CORNEILL DUBILIER PART No. X2C2-30
B	#50	WP206.24 TMD-2140

FIXED CAPACITORS

ITEM No.	RATING	REMARKS	CORNELL DUBILIER PART No.	ELMENC0 PART No.	MALLORY PART No.	SPRAGUE PART No.
C2	5.6 N750 1mmf		C1076U	CCTN-050	B-210	10TCU-V50
C3	3-12 P33		BYA10D1	CCD-102	B-210	5HK-D10
C4	.001		BYA10D1	CCD-102	B-210	5HK-D10
C5	.001		LI072	*	GP320	10TS-T20
C6	36 N150 5%		LI072	*	GP320	10TS-T20
C7	200			*		
C8	200			*		
C9	4-20 N470			*		
C10	36 N150 5%			*		
C11	10 N150 2%			*		
C12	10 N150 2%			*		
C13	1mmf P100			*		
C14	.001			*		
C15	3-12 P33		BYA10D1	CCD-102	B-210	5HK-S10
C16	12 N150 2.5%			*		
C17	12 N150 2.5%			*		
C18	15 N150 2%			*		
C19	.001			*		
C20	100 N750 2%			*		
C21	.001			*		
C22	.001			*		
C23	33 10%		BYA10D1	CCD-102	B-210	5HK-D47
C24	.0022		LI0033	CCD-102	B-210	5HK-S10
C25	.0047		BYA10D2	CCD-380	GP433	5HK-Q33
C26	.0047		BYA10D4	CCD-222	B-220	5HK-D22
C27	.0047		BYA10D4	CCD-472	B-247	5HK-D47
C28	.0047		BYA10D4	CCD-472	B-247	5HK-D47
C29	.0047		BYA10D4	CCD-472	B-247	5HK-D47
C30	.022 200V		BYA10747	CCD-472	B-247	5HK-D47
C31	.01		BYA10747	CCD-472	B-247	5HK-D47
C32	.047 400V		BYA10747	CCD-472	B-247	5HK-D47
C33	5.6 N750 10%		BYA10747	CCD-472	B-247	5HK-D47
C34	5.6 N3300 5%		BYA10747	CCD-472	B-247	5HK-D47
C35	.0047		BYA1081	CCD-103	B-110	5HK-S10
C36	.0047		BYA1081	CCD-103	B-110	5HK-S10
C37	.0047		BYA1081	CCD-103	B-110	5HK-S10
C38	.0047		BYA1081	CCD-103	B-110	5HK-S10
C39	.0047		BYA1081	CCD-103	B-110	5HK-S10
C40	.0047		BYA1081	CCD-103	B-110	5HK-S10
C41	.0047		BYA1081	CCD-103	B-110	5HK-S10
C42	.01		BYA1081	CCD-103	B-110	5HK-S10
C43	.0047		BYA1081	CCD-103	B-110	5HK-S10
C44	.0047		BYA1081	CCD-103	B-110	5HK-S10
C45	.0047		BYA1081	CCD-103	B-110	5HK-S10
C46	.01		BYA1081	CCD-103	B-110	5HK-S10

* Not normally in distributor's stock. Available thru distributor on order to manufacturer.

† Not used in some versions.

‡ RCA Victor Part Number.

RESISTORS

ITEM No.	RATING	REPLACEMENT DATA		ITEM No.	RATING	REPLACEMENT DATA	
		IRC PART No.	WORKMAN TV PART No.			IRC PART No.	WORKMAN TV PART No.
R1	22K			R18	33K		
R2	10000			R19	100K		
R3	220K			R20	470K		
R4	1meg			R21	100K		
R5	33000			R22	10meg		
R6	100K			R23	6.8meg		
R7	33K			R24	1meg		
R8	220K			R25	1meg		
R9	150K			R26	2.2meg		
R10	100K			R27	2.2meg		
R11	82K			R28	390K		
R12	470K			R29	150K		
R13	10K			R30	100K		
R14	10K			R31	100K		
R15	120K			R32	100K		
R16	100K			R33	390K		
R17	100K			R34	12000 3W		

* Alternate Value.

COILS (RF-IF)

ITEM No.	USE	REPLACEMENT DATA		ITEM No.	RATING	REPLACEMENT DATA	
		RCA Victor PART No.	Miller PART No.			Stencor PART No.	Workman TV PART No.
L1	2nd FM IF	77513	FM-254	L1451	1451	RTC-8038	T630
L2	3rd FM IF	77512	FM-253	1464	1464	RTC-8665	T634
L3	Discriminator	77511	BC-419	705-A	705-A	RTC-8648	T632
L4	Loopstick	108411	BC-383	12-C9	12-C9	RTC-8632	T607
L5	AM Osc.	70057	BC-382	12-C6	12-C6	RTC-8634	T609
L6	1st AM IF	77416	BC-385				
L7	2nd AM IF	76328					

TRANSFORMER (POWER)

ITEM No.	RATING	REPLACEMENT DATA		ITEM No.	RATING	REPLACEMENT DATA	
		RCA Victor PART No.	Merit PART No.			Stencor PART No.	Thordenson PART No.
T1	117V @ .34A	110104	P-3045	PA-8421	26R38	R-30K	

SIGNAL DIODES

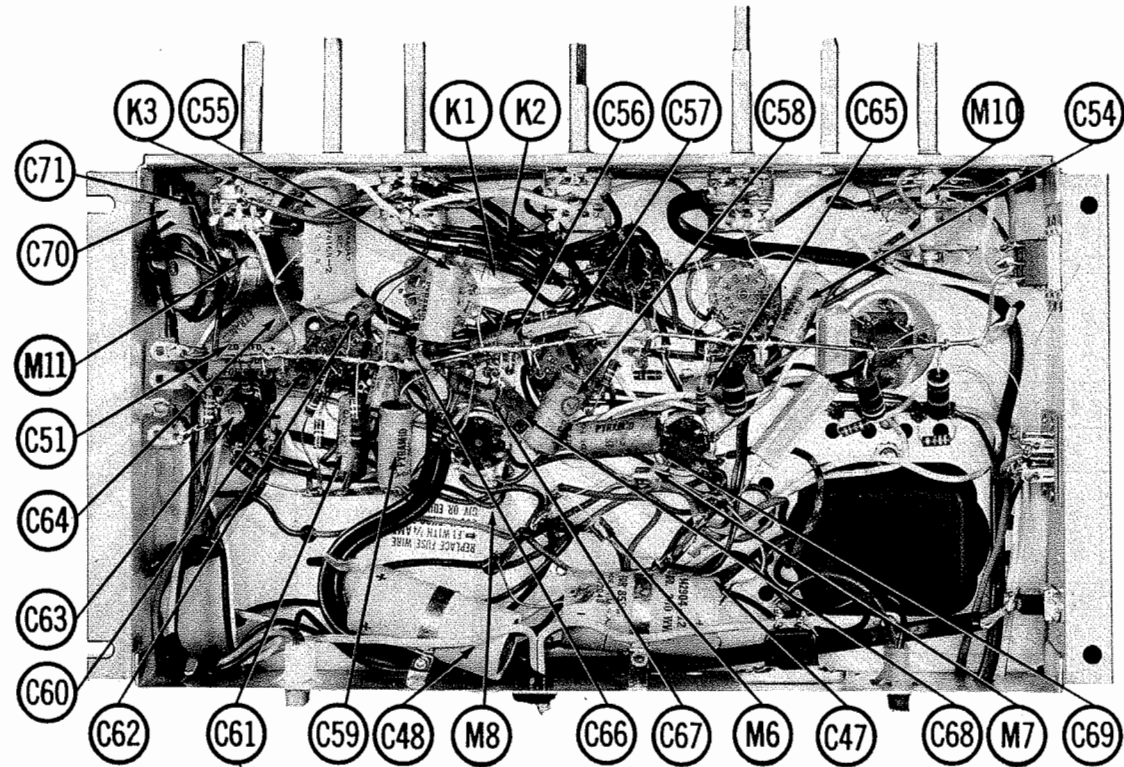
ITEM No.	ORIG. TYPE	REPLACEMENT DATA		ITEM No.	REMARKS
		RCA Victor PART No.	GENERAL ELECTRIC PART No.		
M1		110094	AFC		

MISCELLANEOUS

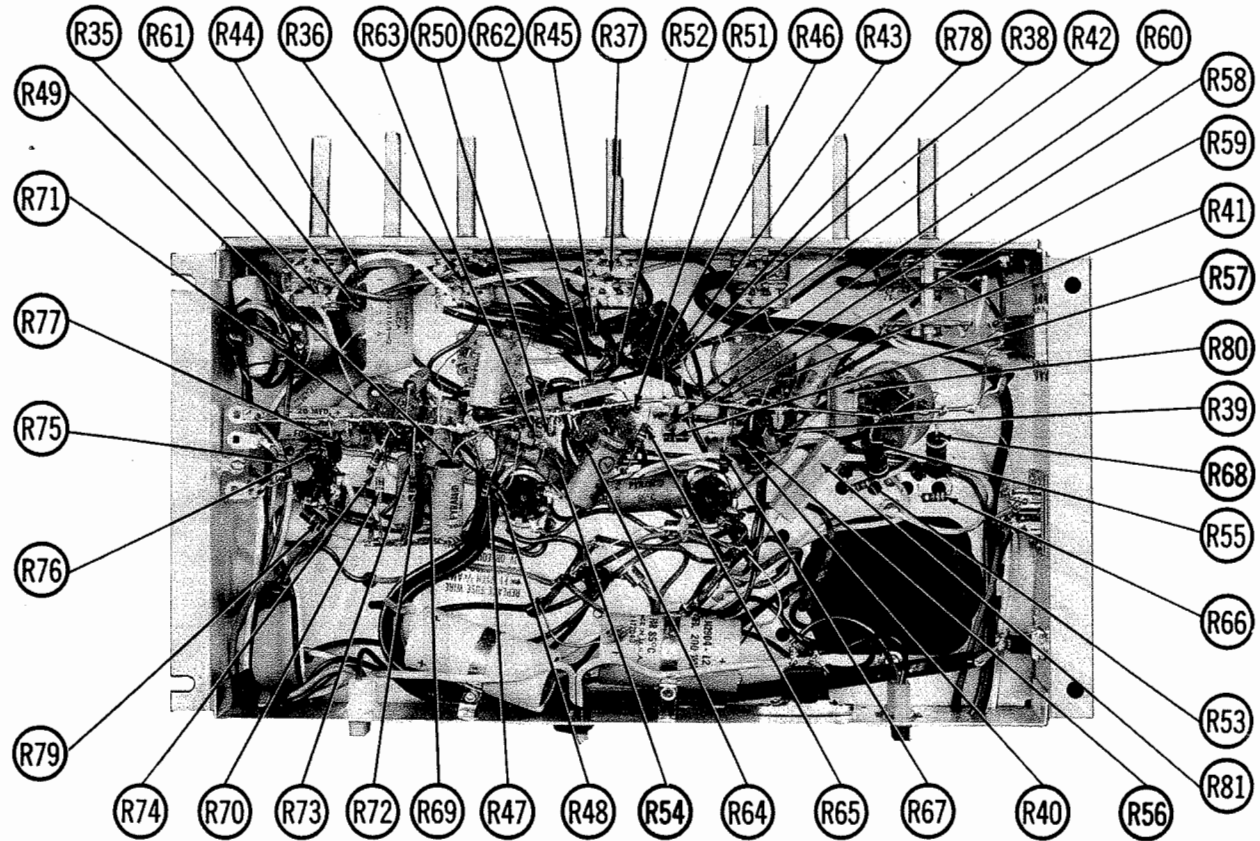
ITEM No.	PART NAME	RCA Victor PART No.	NOTES
M2	Tuner	108444	FM Complete, Less Tube
M3	Switching Cap.	108407	AM, 2 Gang (Ant. 11-30mmf, 12-130mmf)
M4	Switch	110103	Function (Rotary Water Type)
M5	Switch	110102	AFC (SPST Slide Type)

WIRING DATA

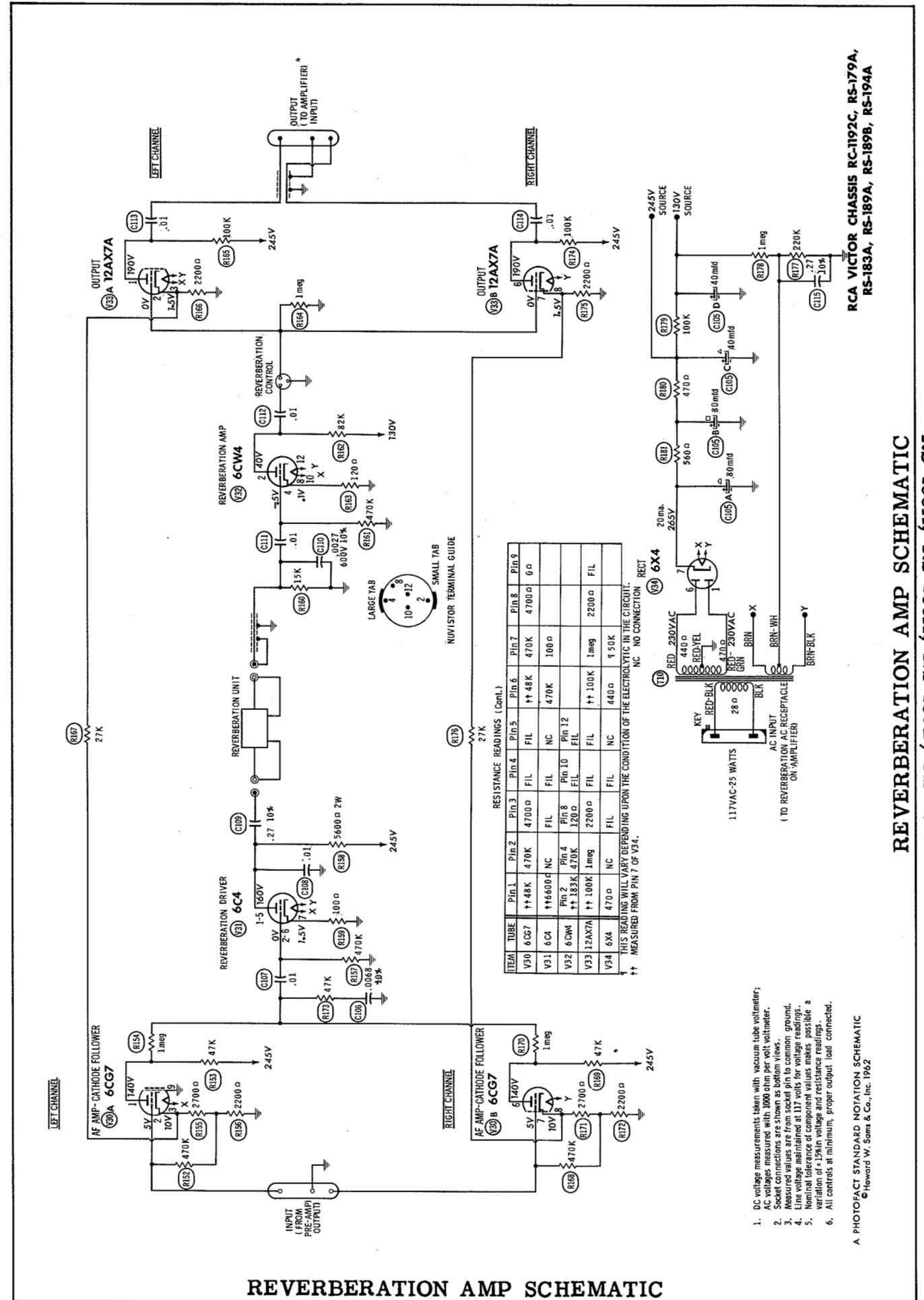
General-use Unshielded Hook-up Wire Use BELDEN No. 8530 (Solid) Available in Ten Colors 8524 (Stranded) Available in Ten Colors Power Cord Use BELDEN No. 1765-B (6 Ft. Length) 1725-K (7 1/2 Ft. Length)



RS-189B AMP CHASSIS BOTTOM VIEW-CAPACITOR & MISC. IDENT.



RS-189B AMP CHASSIS BOTTOM VIEW-RESISTOR IDENT.



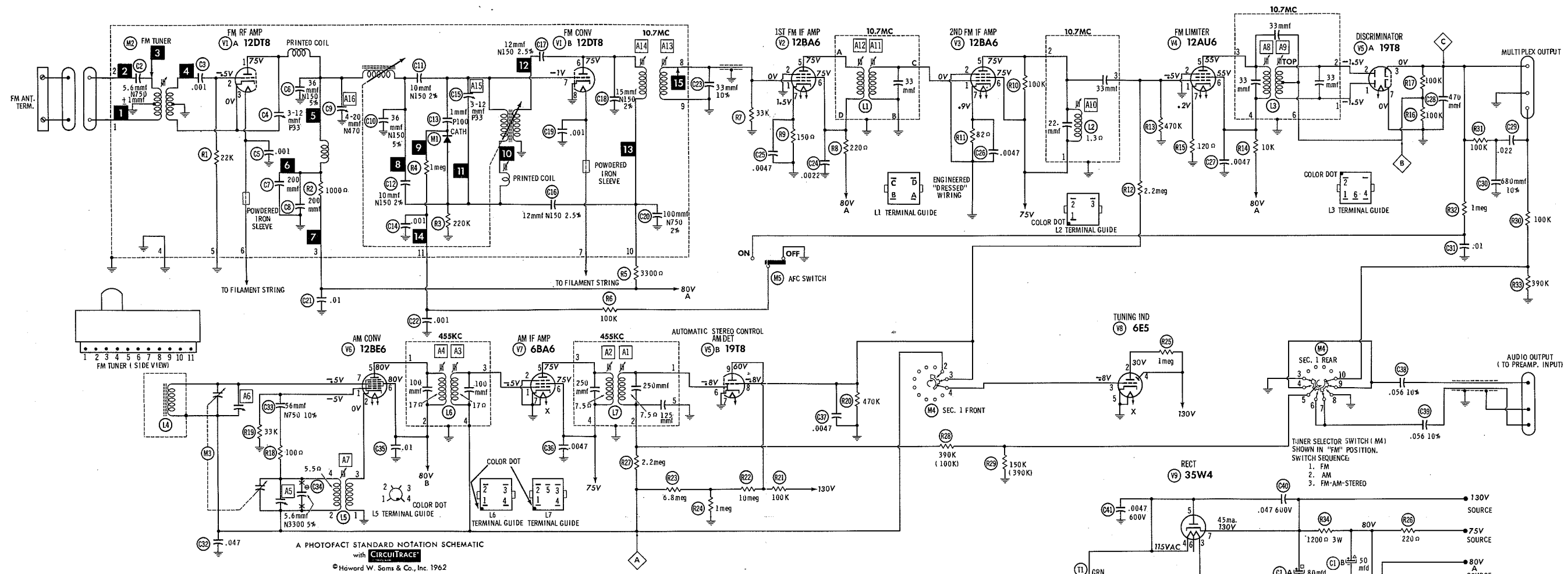
REVERBERATION AMP SCHEMATIC

- DC voltage measurements taken with vacuum tube voltmeter;
- AC voltages measured with 1000 ohm per volt voltmeter.
- Socket connections are shown as bottom views.
- Measured values are from socket pin to common ground.
- Line voltage maintained at 117 volts for voltage readings; a variation of ±1% in voltage and resistance readings.
- All controls at minimum, proper output load connected.

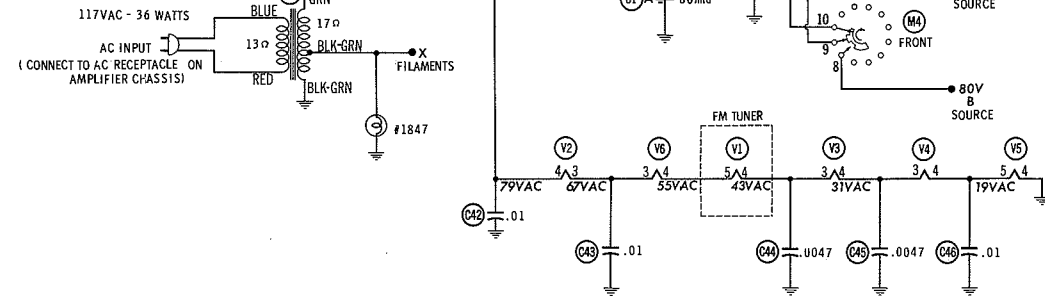
A PHOTOFACT STANDARD NOTATION SCHEMATIC
 ©Howard W. Sams & Co., Inc. 1962

RCA VICTOR CHASSIS RC-1192C, RS-179A,
 RS-183A, RS-189A, RS-189B, RS-194A

RCA VICTOR CHASSIS RC-1192C, RS-179A,
 RS-183A, RS-189A, RS-189B, RS-194A
 CILWEMHCS PMW NOLITERBEREVAER



A PHOTOFAC STANDARD NOTATION SCHEMATIC with CIRCUITTRACE
 © Howard W. Sams & Co., Inc. 1962



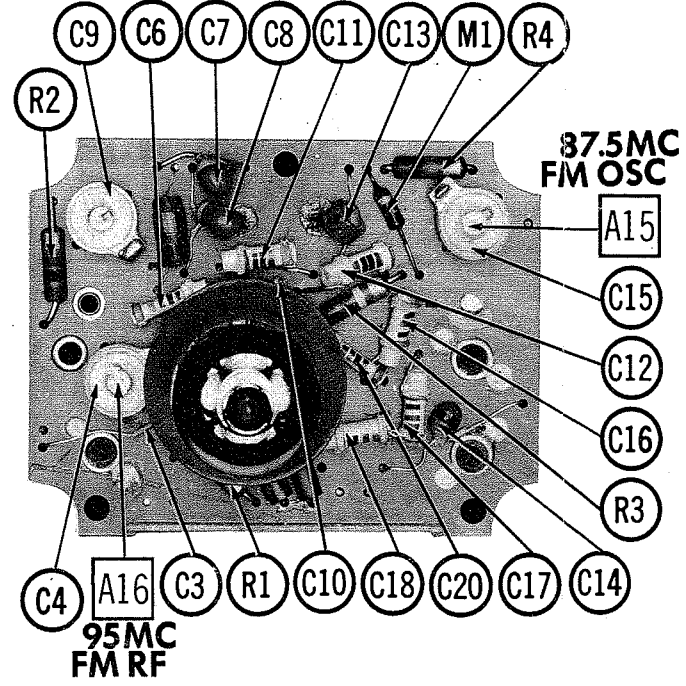
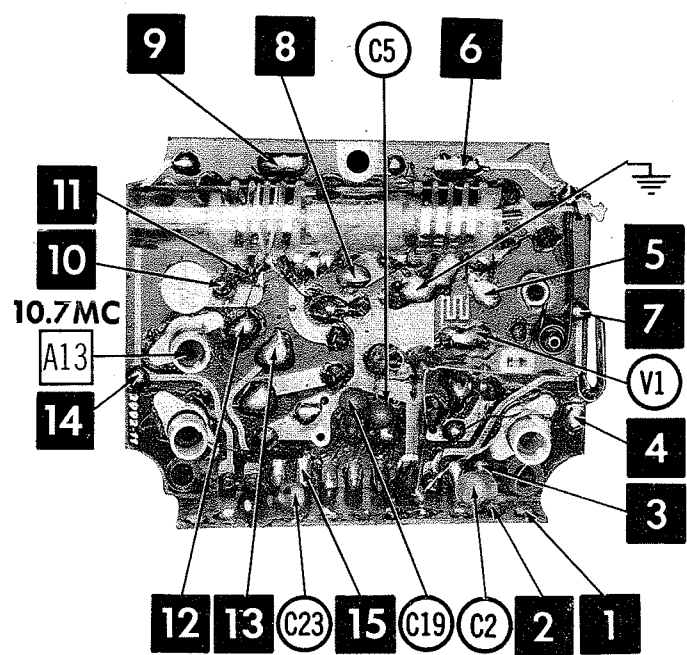
SEE PARTS LIST FOR ALTERNATE VALUE OR APPLICATION
 DC COIL RESISTANCE VALUES UNDER ONE OHM NOT SHOWN ON SCHEMATIC DIAGRAM

NUMBERS ASSIGNED TO COILS, SWITCHES, PLUGS, SOCKETS, AND TRANSFORMERS ARE TO FACILITATE CIRCUIT TRACING OR COMPONENT REPLACEMENT AND MAY NOT NECESSARILY BE FOUND ON THE UNIT.

- DC voltage measurements taken with vacuum tube voltmeter; AC voltages measured with 1000 ohm per volt voltmeter.
- Socket connections are shown as bottom views.
- Measured values are from socket pin to common ground.
- Line voltage maintained at 117 volts for voltage readings.
- Nominal tolerance on component values makes possible a variation of +15% in voltage and resistance readings.
- Volume control at maximum, no signal applied for voltage measurements.

ITEM	TUBE	RESISTANCE READINGS								
		Pin 1	Pin 2	Pin 3	Pin 4	Pin 5	Pin 6	Pin 7	Pin 8	Pin 9
V1	12DT8	+2200Ω	22K	.1Ω	30Ω	32Ω	+14500Ω	220K	0Ω	0Ω
V2	12BA6	.1Ω	0Ω	30Ω	25Ω	+14000Ω	+14000Ω	150Ω		
V3	12BA6	.1Ω	0Ω	30Ω	25Ω	+14000Ω	+14000Ω	82Ω		
V4	12AU6	400K	0Ω	25Ω	15Ω	+11K	+11K	120Ω		
V5	19T8	100K	100K	200K	0Ω	15Ω	540K	0Ω	380K	+100K
V6	12BE6	33K	.1Ω	30Ω	32Ω	+1200Ω	+1200Ω	2meg		
V7	6BA6	2meg	0Ω	FIL	FIL	+14000Ω	+14000Ω	0Ω		
V8	6E5	FIL	+1meg	380K	10Ω	0Ω	FIL	0Ω		
V9	35W4	NC	NC	25Ω	18Ω	18Ω	NC	1 INF		

ALL MEASUREMENTS TAKEN IN "STEREO FM-AM" POSITION UNLESS OTHERWISE DESIGNATED.
 1 THIS READING WILL VARY DEPENDING UPON THE CONDITION OF THE ELECTROLYTIC IN THE CIRCUIT.
 1 MEASURED FROM PIN 7 OF V9. NC NO CONNECTION



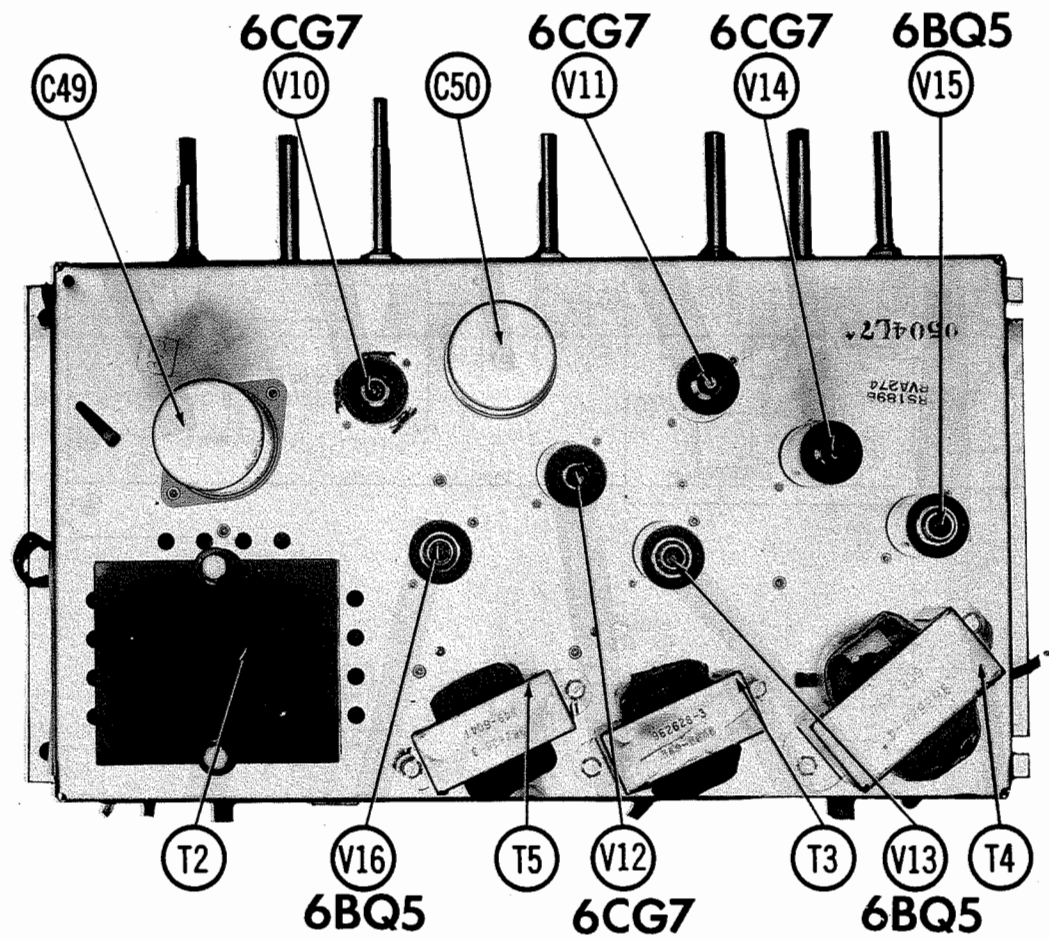
FM RF SUBCHASSIS

ARROWS INDICATING TUBE LOCATIONS ARE POINTING TO PIN 1 UNLESS OTHERWISE INDICATED

RS-189B AMP PARTS LIST AND DESCRIPTIONS TUBES

ITEM No.	USE	TYPE	ITEM No.	USE	TYPE
V10	Left Channel A.F. Amp. - Right Channel A.F. Amp.	6CG7	V13	Left Channel Output Center Channel Output	6BQ5
V11	Left Channel A.F. Amp. - Right Channel A.F. Amp.	6CG7	V14	Right Channel Output	6BQ5
V12	Left Channel A.F. Amp. - Right Channel A.F. Amp.	6CG7	V15		6BQ5

RS-189B AMP CHASSIS—TOP VIEW



ELECTROLYTIC CAPACITORS

Note 1. Manufacturer recommends replacing with T189 when necessary.

ITEM No.	RATING	REMARKS	AEROVOX PART No.	CORNELL-DUBIERRE PART No.	REPLACEMENT DATA	SPRAGUE PART No.
C47	100 CAP. 200 VOLT.		PR81596	BR10035	QTL-24	TVA-1718
C48	100 CAP. 200 VOLT.		PR81596	BR10035	QTL-24	TVA-1718
C49	35 CAP. 400 VOLT.		AFH4-79	D0663	XC4-55	TVL-4737
B	25 CAP. 250 VOLT.					
C	25 CAP. 250 VOLT.					
D	25 CAP. 250 VOLT.					
C50A	20 CAP. 400 VOLT.		AFH4-57	D0520	XC4-48	TVL-4687
B	20 CAP. 400 VOLT.					
C	20 CAP. 400 VOLT.					
D	20 CAP. 400 VOLT.					
C51	20 CAP. 250 VOLT.		PR81330	BR20-25	QTL-9	TVA-1905.5
C52	20 CAP. 250 VOLT.		PR87405	BR4-150	NPQT-1	TVANS-1150*
C53	4 CAP. 100V		PR87405	BR4-150	NPQT-1	TVANS-1150*
C71	4 CAP. 100V					

* Not normally in distributor's stock. Available thru distributor on order to manufacturer.

FIXED CAPACITORS

ITEM No.	RATING	REMARKS	AEROVOX PART No.	CORNELL-DUBIERRE PART No.	REPLACEMENT DATA	MALLORY PART No.	SPRAGUE PART No.
C54	.047 400V 10%		V94C4547-10%	PM4547	4DP-3-473	GEM-1815	4TM-547
C55	.047 200V 10%		V94C4547-10%	PM4547	4DP-3-473	GEM-1815	4TM-547
C56	.0027 200V 10%		V94C63D3-10%	DPMS8D27	6DP-1-272	GEM-1823	6PS-D27
C57	820 10%		1469-00082	SR5782	CM-195-82IK	MCB251	MS-382
C58	.1 400V 10%		V94C4547-10%	PM4547	4DP-3-104	GEM-1815	4TM-547
C59	.068 200V 10%		V94C4547-10%	PM4547	4DP-3-683	GEM-18268	4TM-588
C60	.0088 200V 10%		V94C4547-10%	PM4547	4DP-1-652	GEM-1815	4TM-547
C61	.047 400V 10%		V94C4547-10%	PM4547	4DP-3-473	GEM-1815	4TM-547
C62	.0033 200V 10%		V94C4547-10%	PM4547	6DP-1-332	GEM-18233	6TM-333
C63	100 10%	#110228		TCL-100			
C64	.27 400V 10%		V94C4547-10%	PM4547	4DP-5-274	GEM-1815	4TM-547
C65	.047 400V 10%		V94C4547-10%	PM4547	4DP-3-473	GEM-1815	4TM-547
C66	.047 400V 10%		V94C4547-10%	PM4547	4DP-3-473	GEM-1815	4TM-547
C67	.0027 200V 10%		V94C63D3-10%	DPMS8D27	6DP-1-272	GEM-1823	6PS-D27
C68	820 10%		1469-00082	SR5782	CM-195-82IK	MCB251	MS-382
C69	.1 400V 10%		V94C4547-10%	PM4547	4DP-3-104	GEM-1815	4TM-547
C70	.047 800V		P088N-047	DD-503	GEM-6147	GEM-6147	8TM-547
C71	.047 800V		P088N-047	DD-503	GEM-6147	GEM-6147	8TM-547

* Not normally in distributor's stock. Available thru distributor on order to manufacturer.

Ⓢ Not used in some versions.

Ⓢ RCA Victor Part Number.

CONTROLS

All wattages 1/2 watt, or less, unless otherwise listed.

ITEM No.	USE	RESISTANCE	RCA Victor PART No.	CENTRALAB PART No.	REPLACEMENT DATA	CLAROSTAT PART No.	CTS-IRC PART No.	MALLORY PART No.
R35A	Loudness, Right Channel	500K*	110116	TPL-103				
B	Loudness, Left Channel	500K*						
R36A	Push-Pull Off-On Switch	500K	110114	B-60, SR-60, or (A-B-60, SR-60, AK-7)	AD47-600K-Z/FS-3		FA55A, RU55A, CS3500	
B	Base, Left Channel	500K						
R37A	Treble, Right Channel	500K	110115	B-59, SR-59, or (A-B-59, SR-59, AK-7)	AD47-600K-S/FS-3		FA55L, RU55L, CS3500	
B	Treble, Left Channel	500K						

RS-189B AMP PARTS LIST AND DESCRIPTIONS (Continued)

TRANSFORMER (AUDIO OUTPUT)

ITEM No.	USE	RESISTANCE	RCA Victor PART No.	CENTRALAB PART No.	REPLACEMENT DATA	CLAROSTAT PART No.	CTS-IRC PART No.	MALLORY PART No.
R38A	Reverberation	500K Imeg	110225				QJ-185SR	UE4259
B	Balance	500K Imeg						

* Taps at 84K & 168K. Ⓢ Used in Chassis RS-189B. Chassis RS-189A has single Imeg Balance (Part #110119).

† 'CONCENTRIK™' Equivalent: K-15 Kit with Base Elements and Shafts: BL7-133, P17-120 (Panel).

‡ Not available as a factory assembled unit.

■ 'STA-LOC™' Equivalent: FA55R, RU16L, OF1625, JS2250.

RESISTORS

All wattages 1/2 watt, or less, unless otherwise listed.

ITEM No.	RATING	REMARKS	REPLACEMENT DATA	ITEM No.	RATING	REMARKS	REPLACEMENT DATA
R39	82000			R81	220K		
R40	100K			R82	120K		
R41	2.7meg			R83	470K		
R42	120K			R84	1meg		
R43	15000			R85	100K		
R44	220K			R86	33000		
R45	120K			R87	470K		
R46	15000			R88	470 2W		
R47	220K			R89	100K		
R48	220K			R90	100K		
R49	15K			R71	18000		
R50	470K			R72	1meg		
R51	1meg			R73	470K		
R52	100K			R74	100K		
R53	33000			R75	33000		
R54	470K			R76	470K		
R55	470 2W			R77	1200 1W		
R56	680 2W			R78	10K		
R57	100K			R79	33000 1W		
R58	82000			R80	10000 4W		
R59	2.7meg						
R60	120K						

COMPONENT COMBINATIONS

ITEM No.	USE	REPLACEMENT DATA	REPLACEMENT DATA
K1	Tone Comp.	470mf, .001mf, .0047mf, 01mf, 22K, 220K	Centralab PC-378
K2	Tone Comp.	470mf, .001mf, .0047mf, .01mf, 22K, 220K	Centralab PC-378
K3	Loudness Comp.	.022mf, .02mf, .047mf, .047mf, 82000, 82000, 22K, 22K	Centralab PC-378

TRANSFORMER (POWER)

ITEM No.	RATING	REPLACEMENT DATA	REPLACEMENT DATA	ITEM No.	RATING	REPLACEMENT DATA	REPLACEMENT DATA
T2	117V @ 130V @ .650A 4-BA AC			T1	117V @ 130V @ .650A 4-BA AC		

TRANSFORMER (AUDIO OUTPUT)

ITEM No.	IMPEDANCE	REPLACEMENT DATA				NOTES
		RCA Victor PART No.	Merit PART No.	Spencer PART No.	Thoradson PART No.	
T3	58000	110111	A-8092	26849	S-5Z	
T4	60000	110112	A-3824	24555	S-56Z	
T5	58000	110111	A-8092	26849	S-5Z	

SPEAKER

ITEM No.	TYPE	REPLACEMENT DATA		NOTES
		RCA Victor PART No.	QUAM PART No.	
SP1	5"x7"	108975	57A15	* Models VC-181, VC-182, VC-183, VC-184, VC-185, VC-186, VRC-181, VRC-182, VRC-183, VRC-184, VRC-185, VRC-186, VRC-188, VRC-189, VRC-243, VC-244, VC-245, VRC-243, VRC-244, VRC-245
SP2	3 1/2"x3 1/2"	105395	3A15T26.5	
SP3	15"	110141*	15A101Z4	
SP4	5"x7"	108975	57A15	
SP5	3 1/2"	105395	3A15T26.5	

POWER RECTIFIERS

ITEM No.	RATING	REPLACEMENT DATA		NOTES
		RCA Victor PART No.	SARKIS TARBAN PART No.	
M6	.180A	106379	F4	
M7	.180A	106379	F4	

FUSES

ITEM No.	TYPE	RATING	REPLACEMENT DATA			
			RCA Victor PART No.	Holder	FUSE	BUSS PART No.
M8	1 1/2" length of #24 Wire	105252*	105252*	318.750 (3/4 AA 250V P/T)	GJV 3/4	HOLDER

* Replacement should be with 3/4A 250V, Pigtail Type.

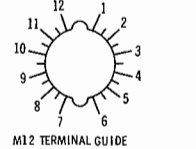
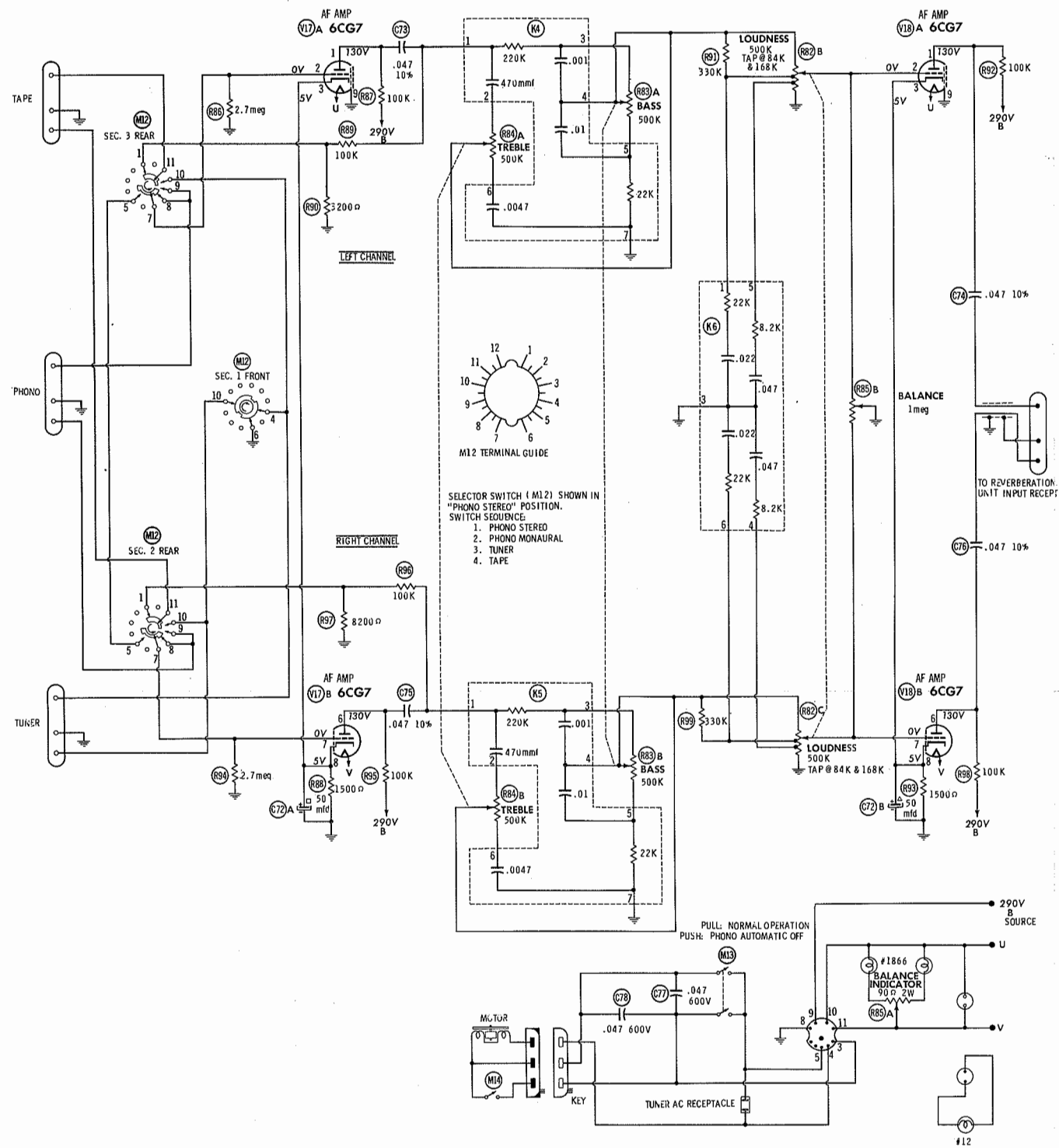
PHONO CARTRIDGE & NEEDLES

* NEEDLE LISTINGS SHOWN ARE FOR RESPECTIVE REPLACEMENT CARTRIDGES ONLY.

ITEM No.	REPLACEMENT DATA				NOTES
	RCA Victor PART No.	ASTATIC CARTRIDGE	ELECTRO-VOICE CARTRIDGE	SONOTONE CARTRIDGE	
M9	110023 (200-f)	110022*			

MISCELLANEOUS

ITEM No.	PART NAME	RCA Victor PART No.	NOTES
M10	Switch	108468	
M11	Switch	108457	Function, Rotary Wafer Type Off-On (Part of Changer)



SELECTOR SWITCH (M12) SHOWN IN "PHONO STEREO" POSITION.
 SWITCH SEQUENCE
 1. PHONO STEREO
 2. PHONO MONAURAL
 3. TUNER
 4. TAPE

SEE PARTS LIST FOR ALTERNATE VALUE OR APPLICATION
 NUMBERS ASSIGNED TO COILS, SWITCHES, PLUGS, SOCKETS, AND TRANSFORMERS ARE TO FACILITATE CIRCUIT TRACING OR COMPONENT REPLACEMENT AND MAY NOT NECESSARILY BE FOUND ON THE UNIT.

- DC voltage measurements taken with vacuum tube voltmeter; AC voltages measured with 1000 ohm per volt voltmeter.
- Socket connections are shown as bottom views.
- Measured values are from socket pin to common ground.
- Line voltage maintained at 117 volts for voltage readings.
- Nominal tolerance of component values makes possible a variation of $\pm 15\%$ in voltage and resistance readings.
- All controls at minimum, proper output load connected.

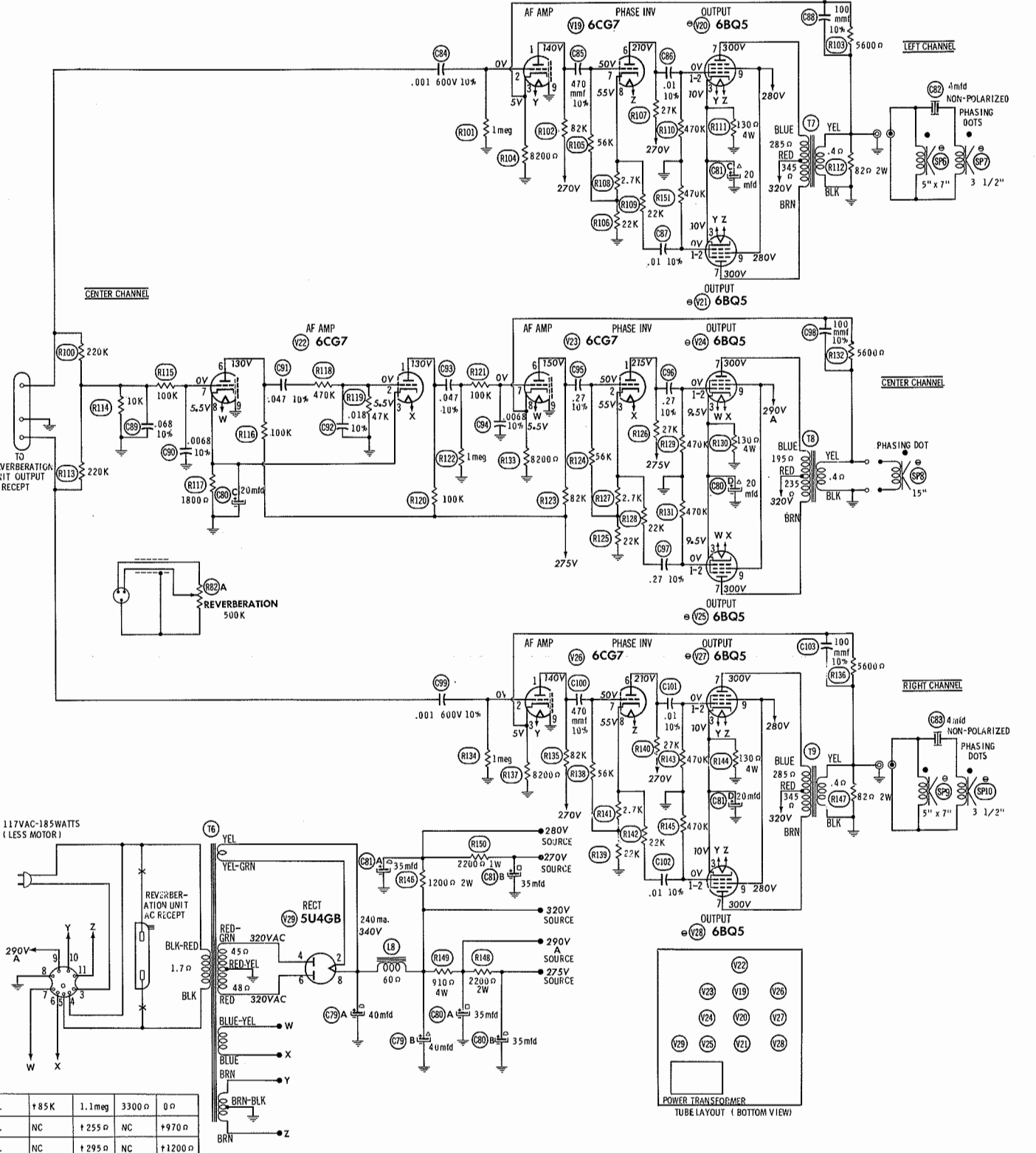
RESISTANCE READINGS (Cont.)

ITEM	TUBE	Pin 1	Pin 2	Pin 3	Pin 4	Pin 5	Pin 6	Pin 7	Pin 8	Pin 9
V17	6CG7	+100K	2.7meg	1500 Ω	FIL	FIL	+100K	2.7meg	1500 Ω	0 Ω
V18	6CG7	+100K	0 Ω	1500 Ω	FIL	FIL	+100K	0 Ω	1500 Ω	0 Ω
V19	6CG7	+85K	1meg	3300 Ω	FIL	FIL	+30K	78K	25K	0 Ω
V20	6BQ5	NC	470K	130 Ω	FIL	FIL	NC	+345 Ω	NC	+1200 Ω
V21	6BQ5	NC	470K	130 Ω	FIL	FIL	NC	+405 Ω	NC	+1200 Ω
V22	6CG7	+100K	47K	1800 Ω	FIL	FIL	+100K	110K	1800 Ω	0 Ω

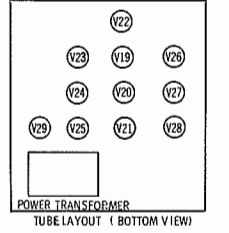
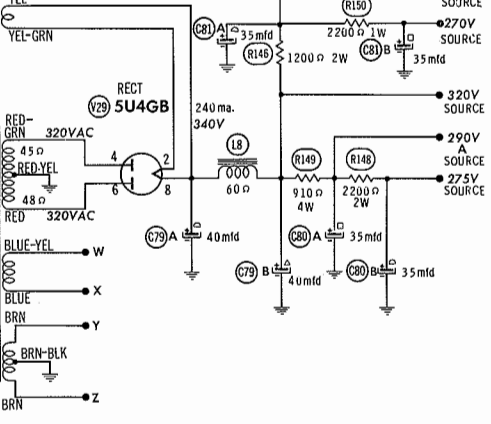
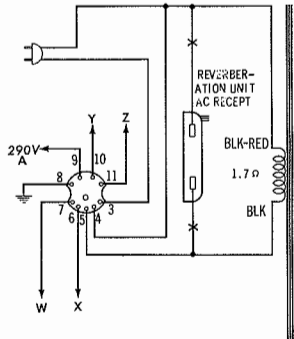
V23	6CG7	+30K	78K	25K	FIL	FIL	+85K	1.1meg	3300 Ω	0 Ω
V24	6BQ5	NC	470K	130 Ω	FIL	FIL	NC	+255 Ω	NC	+970 Ω
V25	6BQ5	NC	470K	130 Ω	FIL	FIL	NC	+295 Ω	NC	+1200 Ω
V26	6CG7	+85K	1meg	3300 Ω	FIL	FIL	+30K	78K	25K	0 Ω
V27	6BQ5	NC	470K	130 Ω	FIL	FIL	NC	+345 Ω	NC	+1200 Ω
V28	6BQ5	NC	470K	130 Ω	FIL	FIL	NC	+405 Ω	NC	+1200 Ω
V29	5U4GB	NC	1 INF	NC	45 Ω	NC	48 Ω	NC	1 INF	

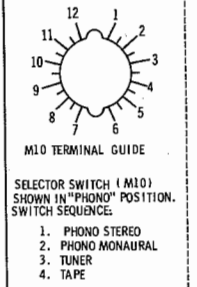
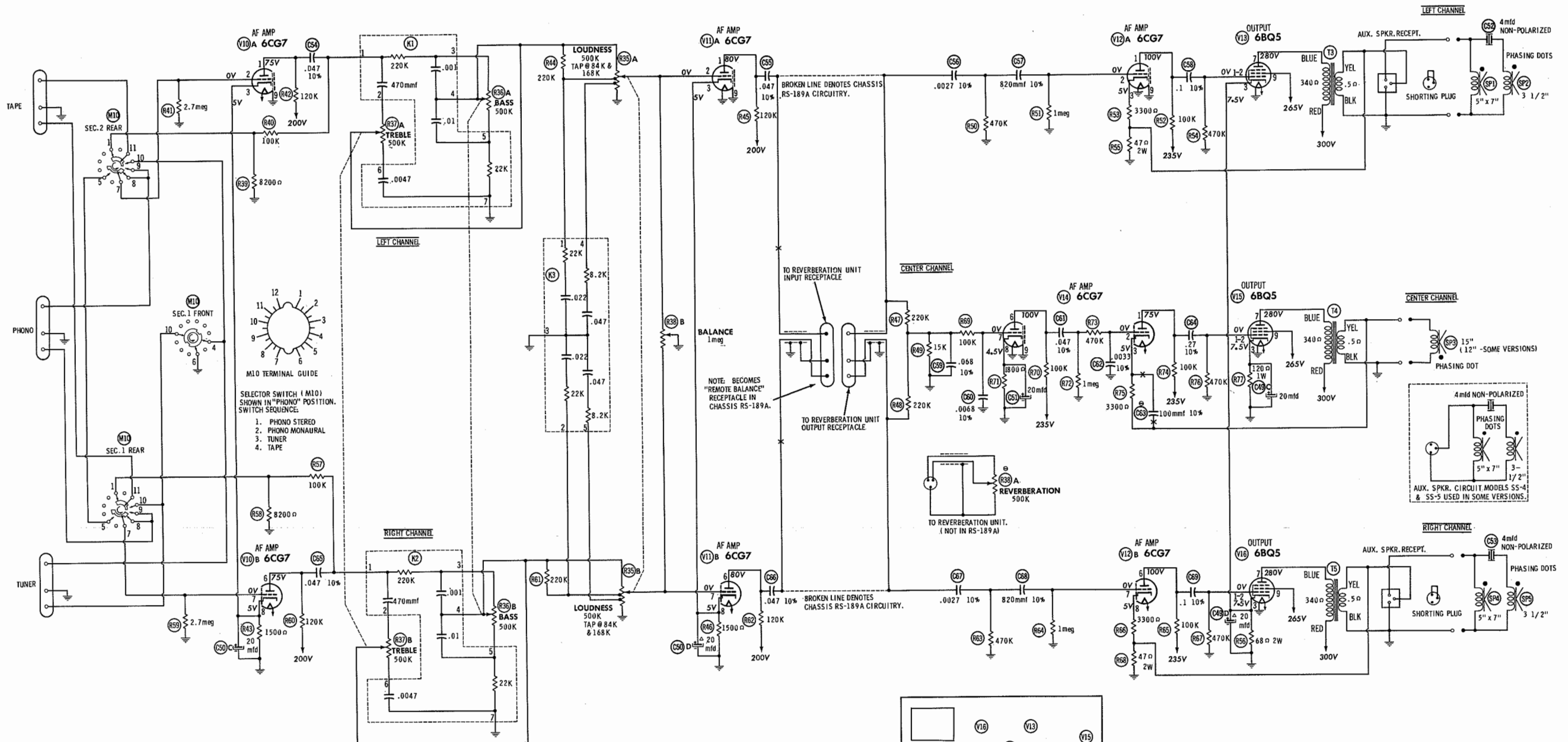
MEASURED IN "MONAURAL PHONO" POSITION.
 + MEASURED FROM PIN 8 OF V29.
 NC NO CONNECTION

A PHOTOFAC STANDARD NOTATION SCHEMATIC
 © Howard W. Sams & Co., Inc. 1962



117VAC-185WATTS (LESS MOTOR)



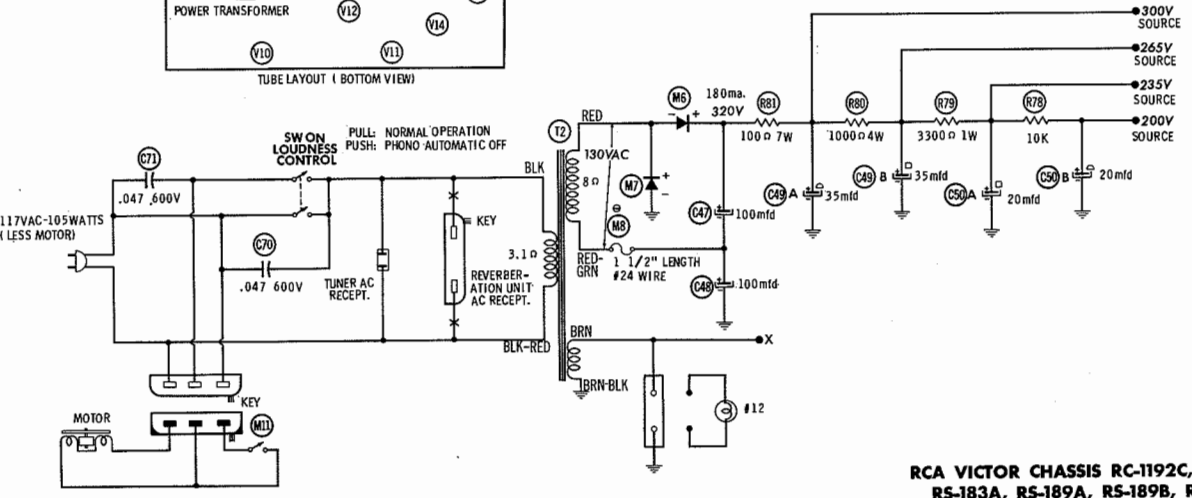
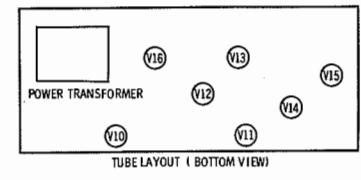


RESISTANCE READINGS (Cont.)

ITEM	TUBE	Pin 1	Pin 2	Pin 3	Pin 4	Pin 5	Pin 6	Pin 7	Pin 8	Pin 9
V10	6CG7	11134K	2.7meg ±1.3meg	1500Ω	FIL	FIL	11134K	2.7meg ±1.3meg	1500Ω	0Ω
V11	6CG7	11134K	0Ω	1500Ω	FIL	FIL	11134K	0Ω	1500Ω	0Ω
V12	6CG7	11104K	1meg	3300Ω	FIL	FIL	11104K	1meg	3300Ω	0Ω
V13	6BQ5	NC	470K	68Ω	FIL	FIL	NC	11440Ω	NC	111100Ω
V14	6CG7	11104K	1.5meg	3300Ω	FIL	FIL	11104K	115K	1800Ω	0Ω
V15	6BQ5	NC	470K	120Ω	FIL	FIL	NC	11440Ω	NC	111100Ω
V16	6BQ5	NC	470K	68Ω	FIL	FIL	NC	11440Ω	NC	111100Ω

NC NO CONNECTION
 † MEASURED FROM OUTPUT OF M5.
 ‡ MEASURED IN "MONAURAL PHONO" POSITION.

- SEE PARTS LIST FOR ALTERNATE VALUE OR APPLICATION
- NUMBERS ASSIGNED TO COILS, SWITCHES, PLUGS, SOCKETS, AND TRANSFORMERS ARE TO FACILITATE CIRCUIT TRACING OR COMPONENT REPLACEMENT AND MAY NOT NECESSARILY BE FOUND ON THE UNIT.
- DC voltage measurements taken with vacuum tube voltmeter; AC voltages measured with 1000 ohm per volt voltmeter.
 - Socket connections are shown as bottom views.
 - Measured values are from socket pin to common ground.
 - Line voltage maintained at 117 volts for voltage readings.
 - Nominal tolerance of component values makes possible a variation of ±15% in voltage and resistance readings.
 - All controls at minimum, proper output load connected.



A PHOTOFAC STANDARD NOTATION SCHEMATIC
 © Howard W. Sans & Co., Inc. 1962

RS-189 AMP SCHEMATIC

RCA VICTOR CHASSIS RC-1192C, RS-179A, RS-183A, RS-189A, RS-189B, RS-194A