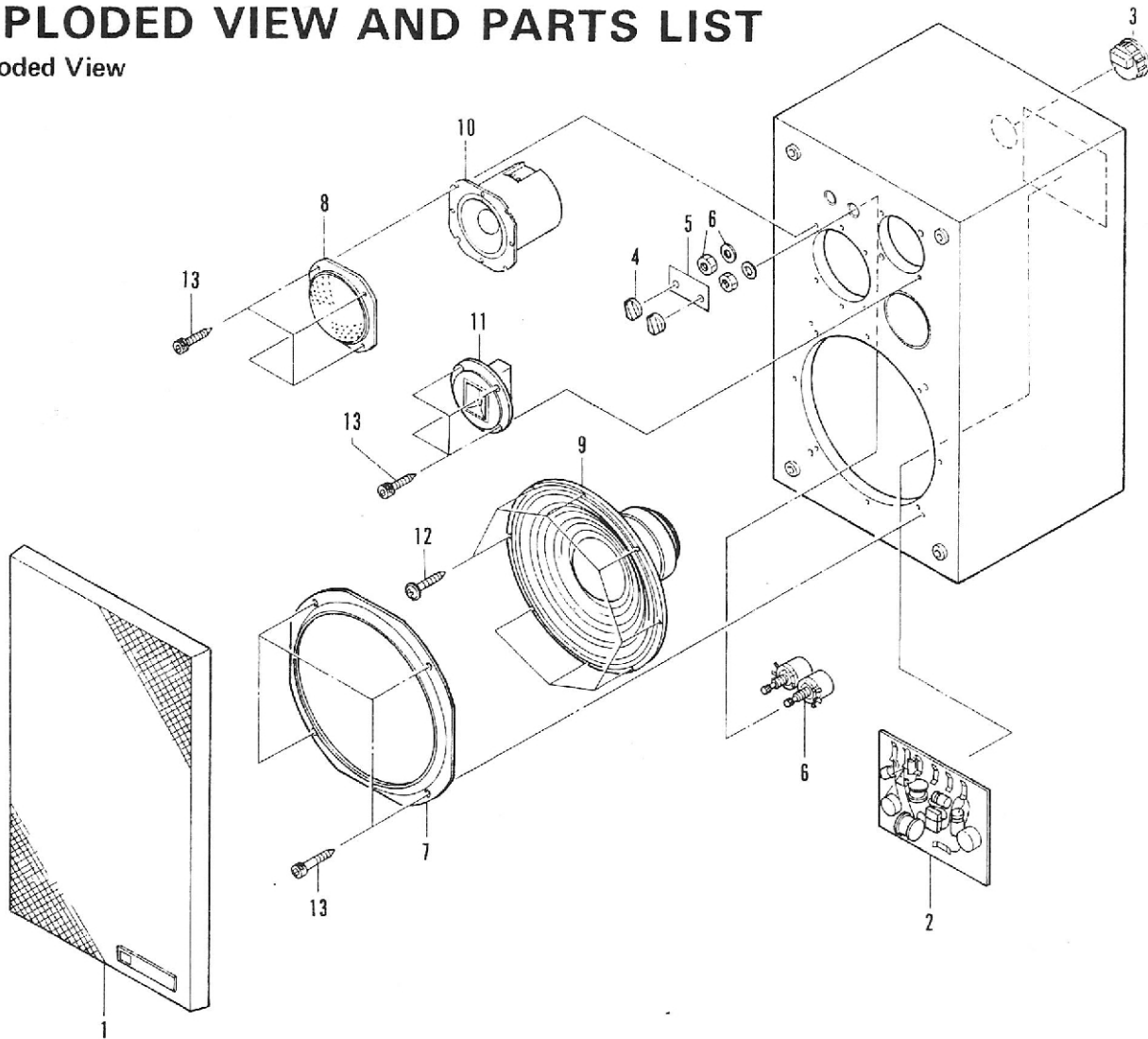




# EXPLODED VIEW AND PARTS LIST

Exploded View



**NOTES:**

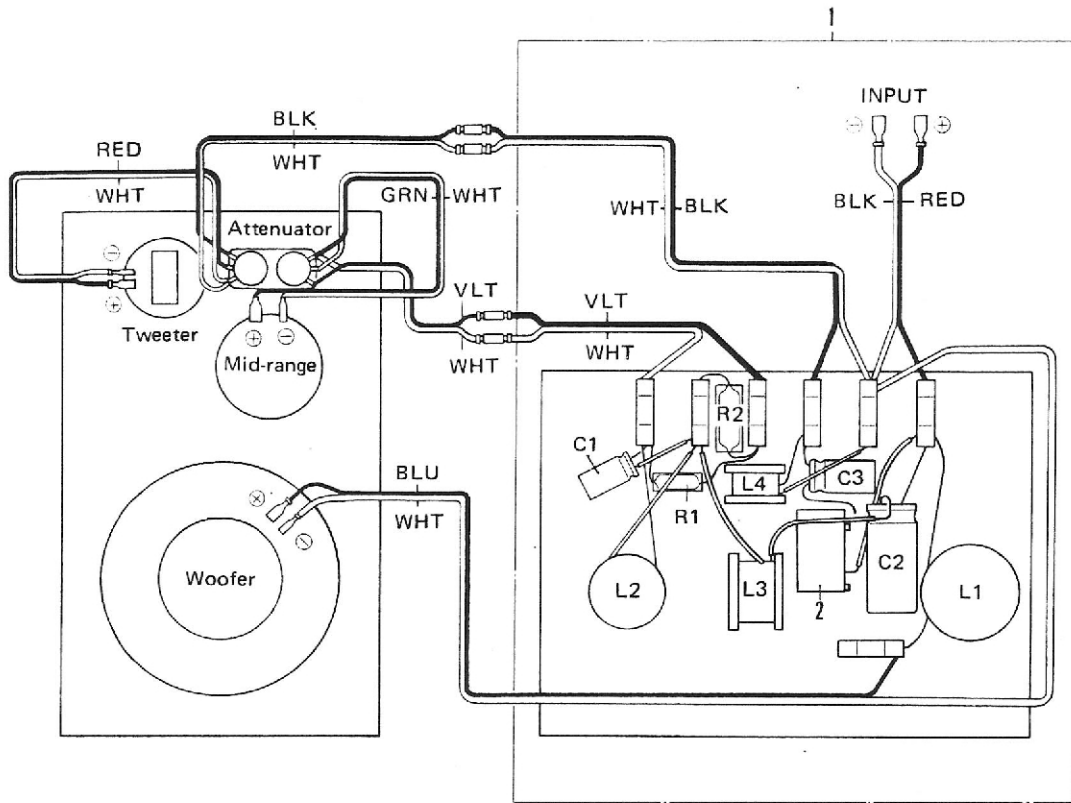
- Parts without part number cannot be supplied.
  - For your Parts Stock Control, the fast moving items are indicated with the marks \*\* and \*. \*\* GENERALLY MOVES FASTER THAN \*.
- This classification shall be adjusted by each distributor because it depends on model number, temperature, humidity, etc.*

**Parts List**

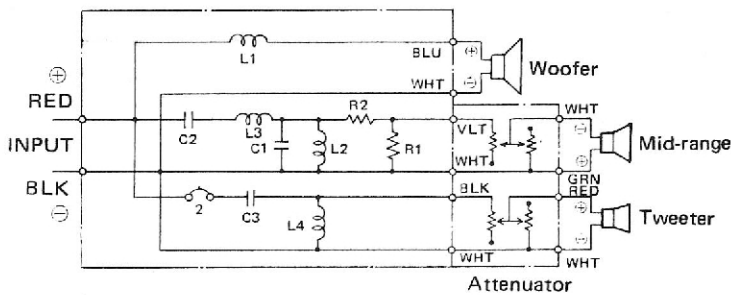
Mark	No.	Part No.	Description	Mark	No.	Part No.	Description
	1.	SMG-302	Grill assembly		8.	SXB-367	Flange assembly
	2..	SWN-376	Network assembly	**	9.	30-771A	Woofer
		SWN-383	Network assembly (XC model only)	**	10.	10-739A	Mid-range
	3.	SKX-012	Input terminal plate	**	11.	PT-R14A	Tweeter
		SKX-014	Input terminal plate (XC model only)		12.	SBA-142	Screw
	4.	SAA-059	Knob				BYC40P250FMC (XC model only)
	5.	SAX-264	Level control name plate	13.	SBA-125	Screw	
	6.	SCS-043	Attenuator		SBA-115	Screw (XC model only)	
	7.	SNK-690	Ring				

# NETWORK AND PARTS LIST

## Wiring



## Circuit Diagram



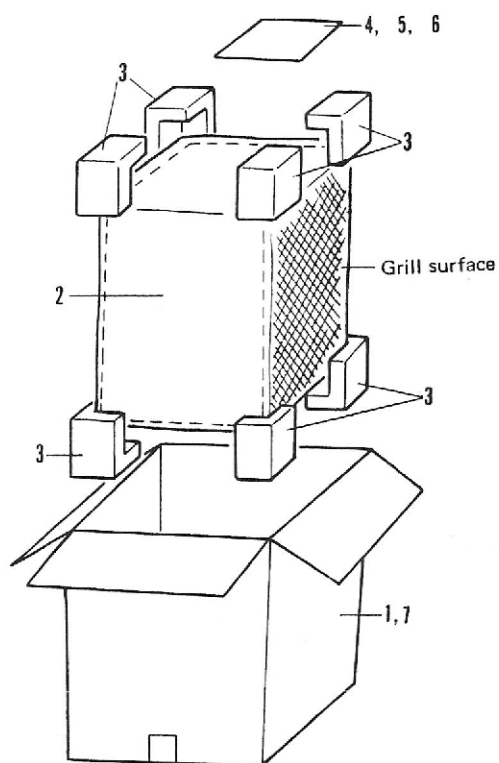
## Parts List

Mark	Part No.	Symbol & Description
	STH-320	L1 Choke coil (0.72mH)
	STH-295	L2 Choke coil (1.8mH)
	STH-237	L3 Choke coil (0.33mH)
	STH-277	L4 Choke coil (0.22mH)
	CES042R7K63	C1 Capacitor (2.7 $\mu$ F, 63V)
	CES04DX8R2K63	C2 Capacitor (8.2 $\mu$ F, 63V)
	CES04DX2R2K63	C3 Capacitor (2.2 $\mu$ F, 63V)
	RTF2Q180J28AL	R1 Resistor (18 $\Omega$ , 2W)
	RT5B1R5K	R2 Resistor (1.5 $\Omega$ , 5W)
	SWN-376	1. Network assembly
	SWN-383	Network assembly (XC model only)
	SSG-007	2. Circuit protector

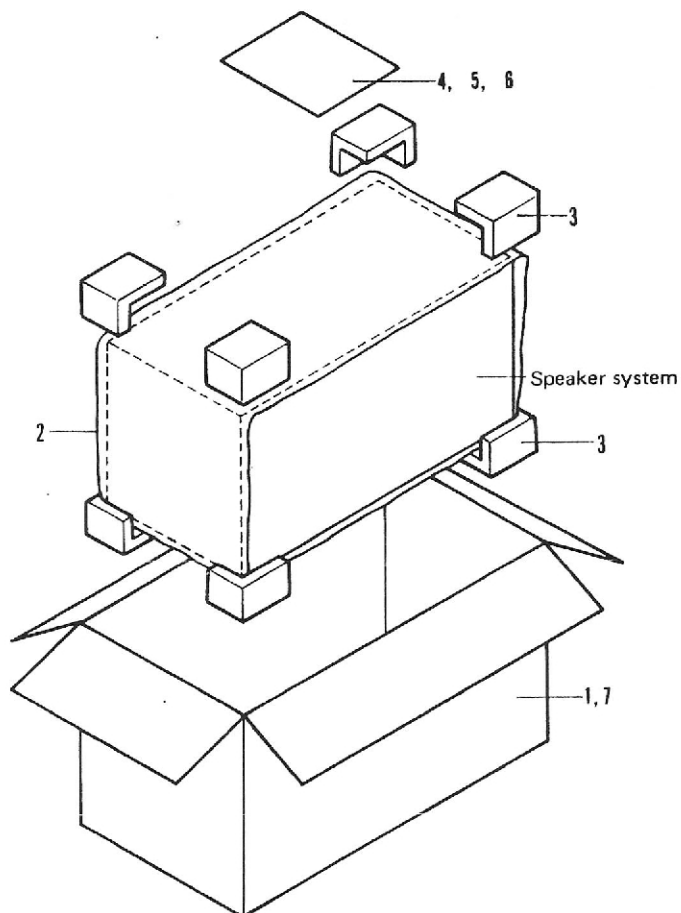
# PACKING VIEW AND PARTS LIST

## Packing View

[For E, CA and G models]



[For XC model]



## Parts List

[For E, CA and XC models]

Mark	No.	Part No.	Description
	1.	SHG-603 SHG-629 SHG-608	Packing case L (E model) Packing case L (CA model) Packing case L (XC model)
	2.	SHL-141	Cover
	3.	SHA-102	Corner pad
	4.	SHL-185	Vinyl bag
	5.	KDD-012	Speaker cords
	6.	SRD-040 SRB-347 SRB-336	Operating guide (E model) Operating guide (CA model) Operating guide (XC model)
	7.	SHG-604 SHG-630 SHG-609	Packing case R (E model) Packing case R (CA model) Packing case R (XC model)

[For G model]

Mark	No.	Part No.	Description
	1.	SHG-625	Packing case
	2.	SHL-141	Cover
	3.	SHA-752	Corner pad
	4.	SHL-185	Vinyl bag
	5.	KDD-012	Speaker cords
	6.	SRB-344	Operating guide