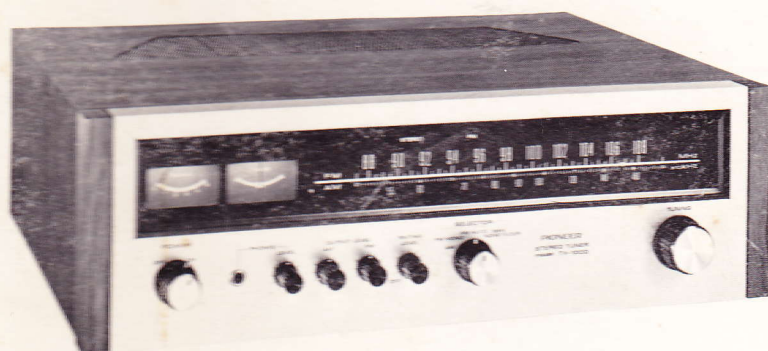


CIRCUIT DIAGRAMS

VOL.4



FOR PIONEER AUDIO EQUIPMENTS

Including

*STEREO AMPLIFIER,
STEREO PREAMPLIFIER,
STEREO POWER AMPLIFIER,
AM/FM STEREO TUNER,
CONSOLE STEREO,
COMPACT STEREO,
STEREO TURNTABLE,
STEREO TAPE DECK,
SPEAKER SYSTEM, and
OTHER EQUIPMENT*

PIONEER®

CONTENTS

NOTE:

Each model comes in a few versions equipped with slightly different circuits distinguished as follows:
For identification, see round label on rear panel.

STEREO PREAMPLIFIER

SC-700 1

STEREO AMPLIFIERS

SA-500 5
SA-500A 11
SA-600 15
SA-700 19
SA-800 23
SA-900 29
SA-1000 35

STEREO POWER AMPLIFIER

SM-700 41

AM/FM STEREO TUNERS

TX-500 45
TX-500A 55
TX-600 59
TX-700 65
TX-800 73
TX-900 81
TX-1000 89

QUADRAPHONIC PREAMPLIFIER

QC-800 97

QUADRAPHONIC POWER AMPLIFIER

QM-800 101

QUADRAPHONIC AMPLIFIER

QA-800 105

QUADRALIZER AMPLIFIER

QL-600 111

ELECTRONIC CROSSOVER NETWORKS

SF-500 115
SF-700 117

REVERBERATION AMPLIFIER

SR-202W 121

STEREO DISPLAY

SD-1000 125

STEREO CASSETTE TAPE DECKS

STEREO TAPE DECKS

8-TRACK QUADRAPHONIC TAPE DECK

4-CHANNEL STEREO TAPE DECKS

T-3300 131
T-3500 132
T-6100 133
T-6600 134
T-8800 CONTROL 135
T-8800 AMPLIFIER 136
QT-2100 137
QT-6100 138
QT-6600 139

STEREO TURNTABLES

PL-11/P, PL-11/PV, PL-11A/PV 143
PL-12/M, PL-12A/PV, PL-12/PV, PL-12/P 143
PL-15/PV, PU-15/P 143
PL-12AC/NB 143
PL-11C/PV, PU-11/P, PL-11AC/PV 143
PL-12AC/PV, PL-15C/PV 143
PL-25/F, PL-A25/FV 144
PL-A25/FVT, PU-A25/FV, PL-30/F 145
PL-31D/FV, PL-31D/F, PL-A35/PVT 146
PL-A35/PV, PL-41/F, PL-41A/FV 147
PL-41D/F, PL-50/PV 148

SPEAKER SYSTEMS

CS-5, CS-7 151
CS-8, CS-10 152
CS-15, CS-30, CS-40 153
CS-50, CS-60 154
CS-100 155
CS-22, CS-33, CS-44 156
CS-55, CS-66 157
CS-77, CS-88 158
CS-99 159
CS-22A, CS-33A 160
CS-77A 161
CS-88A 162
CS-99A 163
CS-A500 164

CS-A700	165
CS-A770	166
CS-E350, CS-E400	167
CS-E500	168
CS-E600	169
CS-E700	170
CS-E900	171
CS-51, CS-52, CS-52T	172
CS-53, CS-54	173
CS-63, CS-63A	174
CS-63DX, CS-05	175
AS-200, AS-303A	176
AS-305A	177
JB-100	178
SE-50	179

CONSOLE STEREO SYSTEMS

S-50	181
S-550	189
S-770	195

COMPACT STEREOS

C-5600A, C-5600D	201
C-6000A	209

ANSAFONES

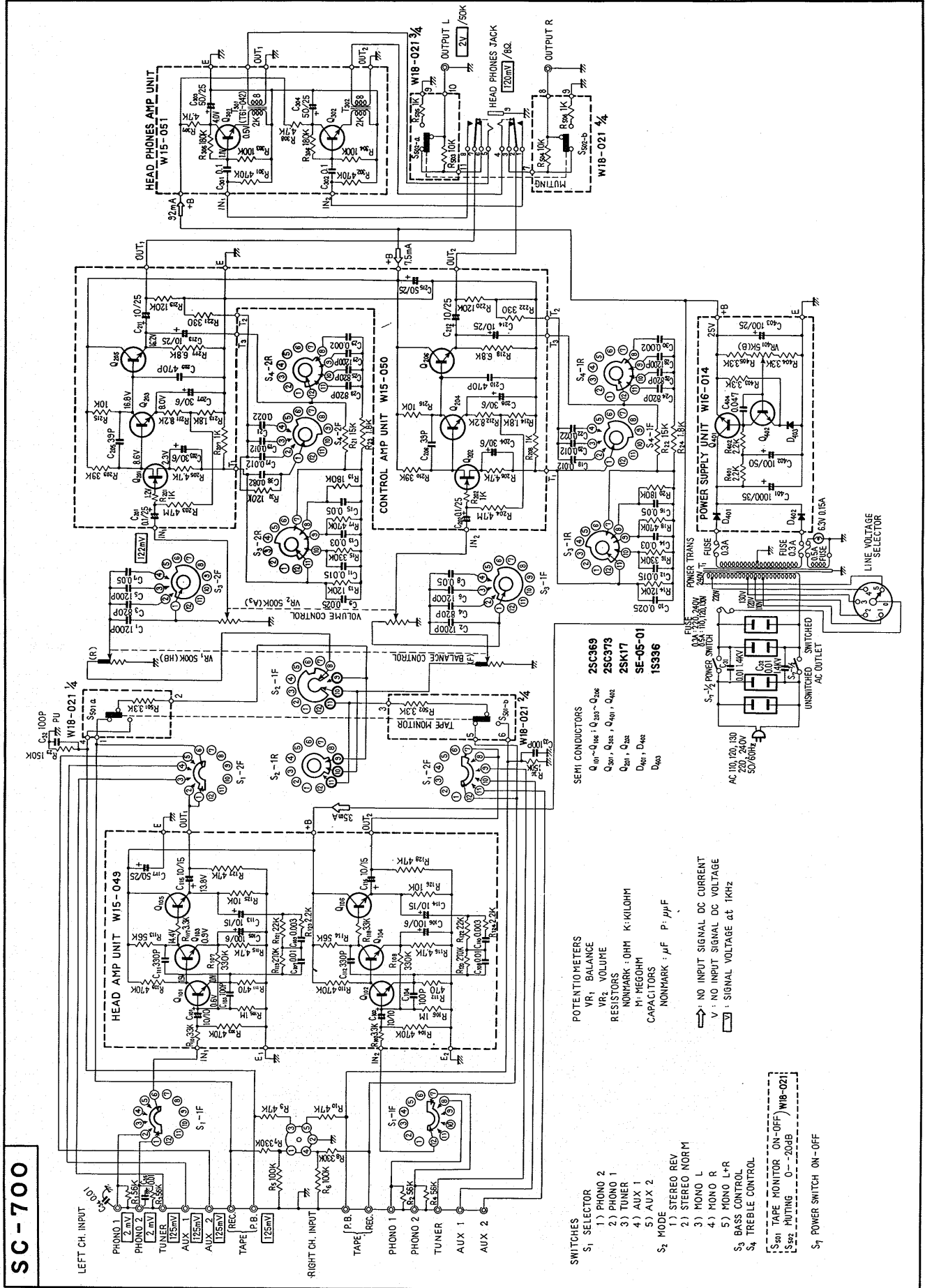
AF-61A	216
AF-41	217

STEREO PREAMPLIFIER

SC-700

ROUND LABEL UNIT	FV	KC	KL			
FM FRONT END						
FM IF UNIT						
MPX UNIT						
AM TUNER UNIT						
MUTING UNIT						
HEAD AMP UNIT	W15-049	W15-049	W15-049			
CONTROL AMP UNIT	W15-050	W15-050	W15-050			
MAIN AMP UNIT						
POWER SUPPLY UNIT	W16-014	W16-014	W16-014			
SWITCH UNIT	W18-021	W18-021	W18-021			
SWITCH UNIT						
SWITCH UNIT						
TONE COLOR UNIT						
CONTROL UNIT						
MIC AMP UNIT						
REVERBE AMP UNIT						
REVERBE UNIT						
HEAD PHONE UNIT	W15-051	W15-051	W15-051			





SC-700

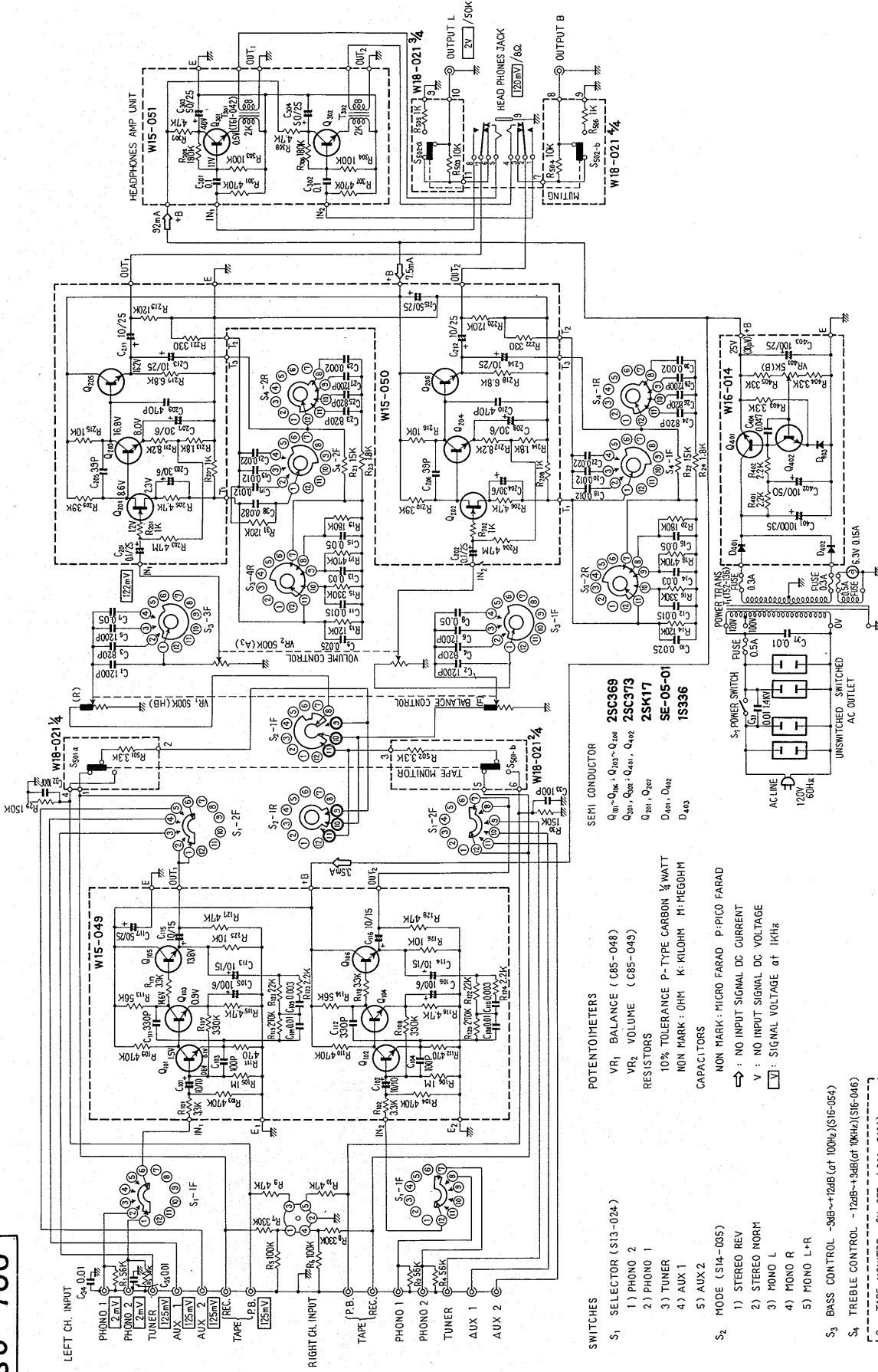
- SEMI CONDUCTORS**
 Q₆₁-Q₆₆: 25C369
 Q₆₇-Q₆₈: 25C373
 Q₆₉-Q₇₀: 25K17
 D₆₁, D₆₂: SE-05-01
 D₆₃: 1S936
- POTENTIOMETERS**
 VR₁: BALANCE
 VR₂: VOLUME
- RESISTORS**
 NONMARK: OHM K-KILOHM
 M-MEGOHM
- CAPACITORS**
 NONMARK: μF P-μF

- NO INPUT SIGNAL DC CURRENT
 V : NO INPUT SIGNAL DC VOLTAGE
 □ : SIGNAL VOLTAGE at 1kHz

- SWITCHES**
 S₁: SELECTOR
 1) PHONO 2
 2) PHONO 1
 3) TUNER
 4) AUX 1
 5) AUX 2
- S₂: MODE
 1) STEREO REV
 2) STEREO NORM
 3) MONO L
 4) MONO R
 5) MONO L+R
- S₃: BASS CONTROL
 S₄: TREBLE CONTROL
- S₅₀₁: TAPE MONITOR ON-OFF
 S₅₀₂: MUTE ON-OFF
- S₁: POWER SWITCH ON-OFF

SC-700 for KC, KL model

SC-700



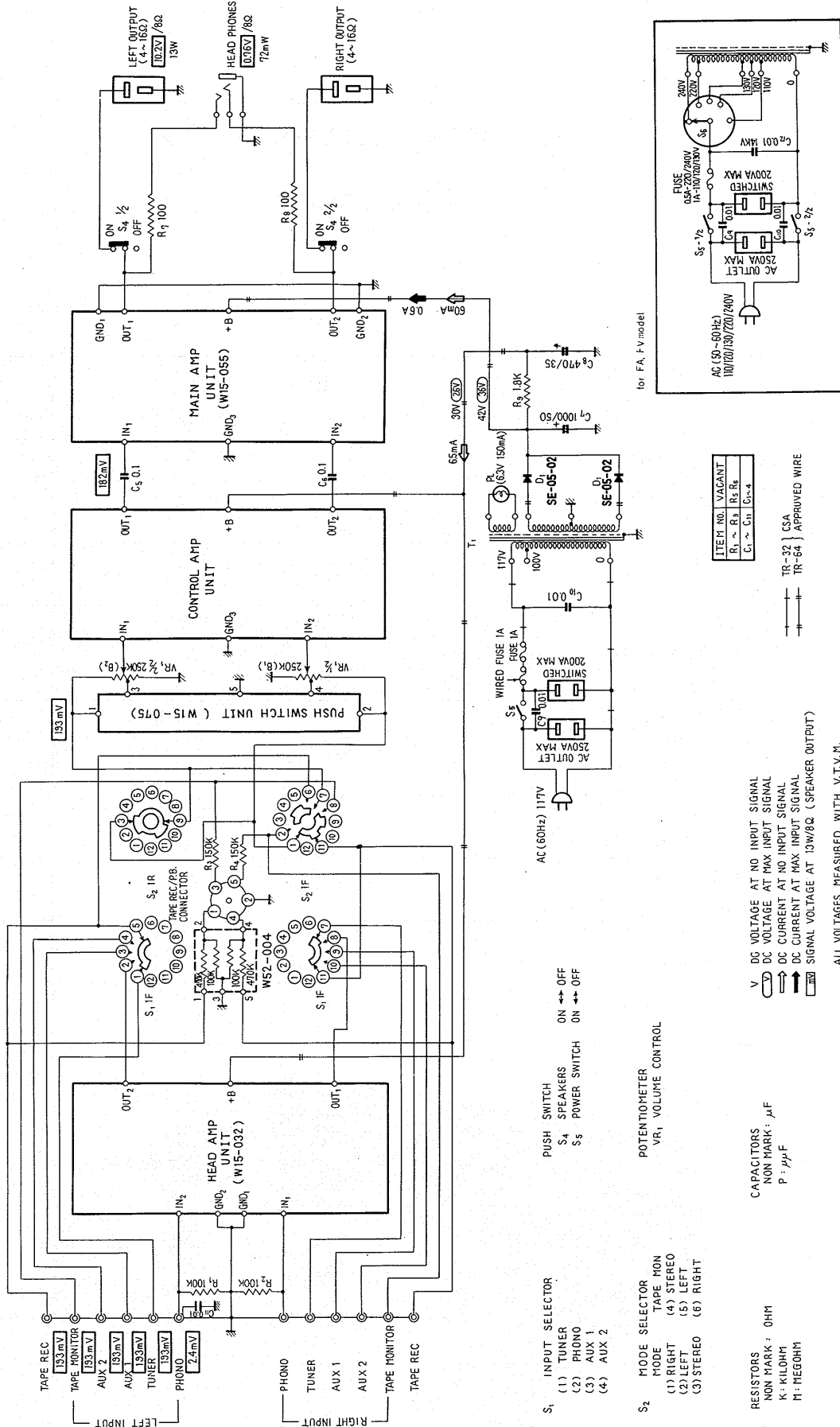
STEREO AMPLIFIER SA-500

ROUND LABEL UNIT	FA	FV	KC	NB		
FM FRONT END						
FM IF UNIT						
MPX UNIT						
AM TUNER UNIT						
MUTING UNIT						
HEAD AMP UNIT	W15-032	W15-032	W15-032	W15-032		
CONTROL AMP UNIT	AWG-009	AWG-009	AWG-009	AWG-009		
MAIN AMP UNIT	W15-055	W15-055	W15-055	AWH-004		
POWER SUPPLY UNIT						
SWITCH UNIT	W15-075	W15-075	W15-075	W15-075		
SWITCH UNIT						
SWITCH UNIT						
TONE COLOR UNIT						
CONTROL UNIT						
MIC AMP UNIT						
REVERBE AMP UNIT						
REVERBE UNIT						

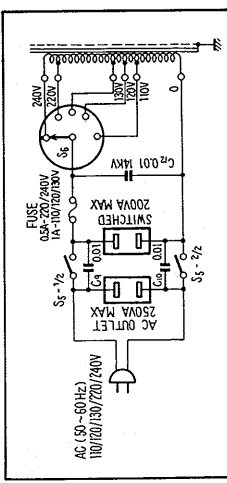


SA-500 for FA, FV, KC model

SA - 500



for FA, FV model



ITEM NO.	VACANT
R ₁ ~ R ₃	RS R ₆
C ₁ ~ C ₆	CS - 4

TR-32 | CSA
TR-64 | APPROVED WIRE

PUSH SWITCH ON ↔ OFF
S₄ SPEAKERS ON ↔ OFF
S₅ POWER SWITCH ON ↔ OFF

POTENTIOMETER
VR₁ VOLUME CONTROL

S₂ MODE SELECTOR
MODE TAPE MON
(1) RIGHT (4) STEREO
(2) LEFT (5) LEFT
(3) STEREO (6) RIGHT

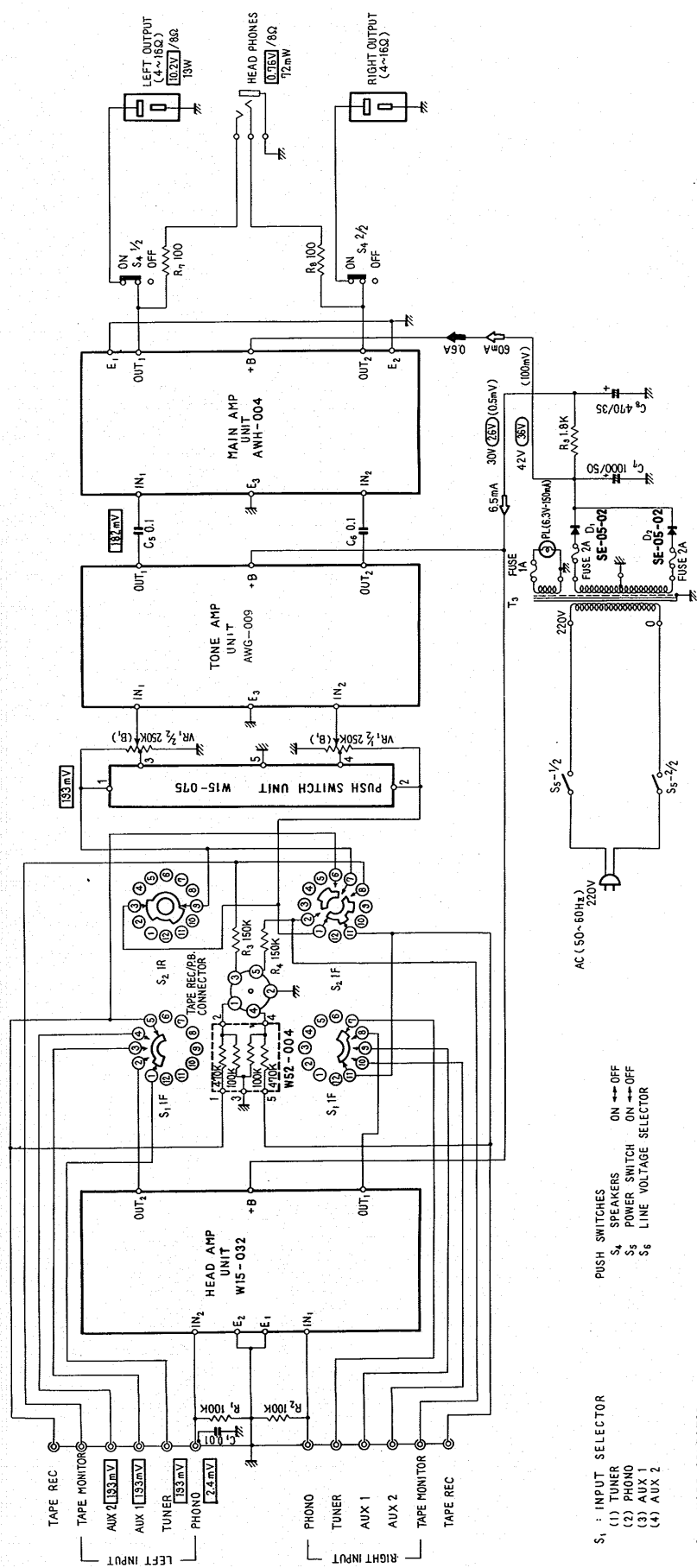
RESISTORS
NON MARK : OHM
K : KILOHM
M : MEGOHM

V DC VOLTAGE AT NO INPUT SIGNAL
DC VOLTAGE AT MAX INPUT SIGNAL
DC CURRENT AT NO INPUT SIGNAL
DC CURRENT AT MAX INPUT SIGNAL
SIGNAL VOLTAGE AT 13W/8Ω (SPEAKER OUTPUT)

ALL VOLTAGES MEASURED WITH V.T.V.M.

SA-500 for NB model

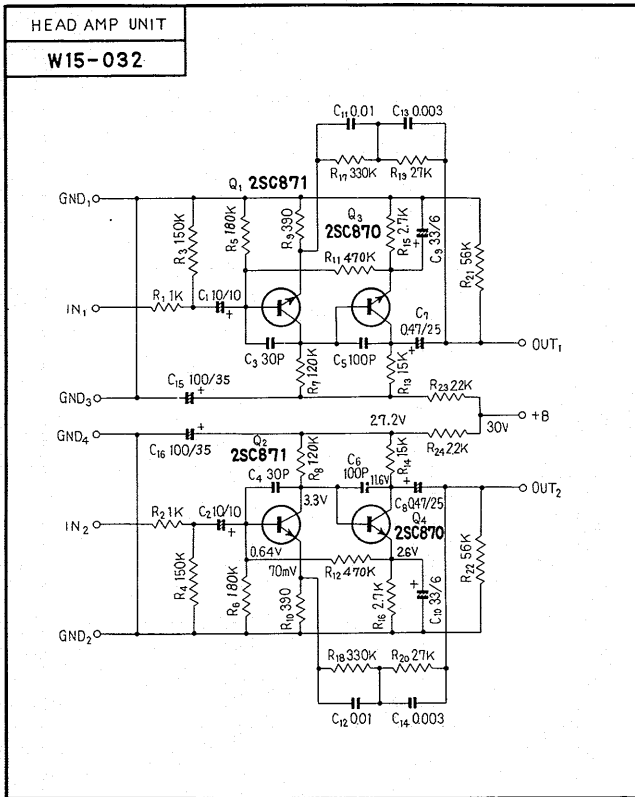
SA-500/NB



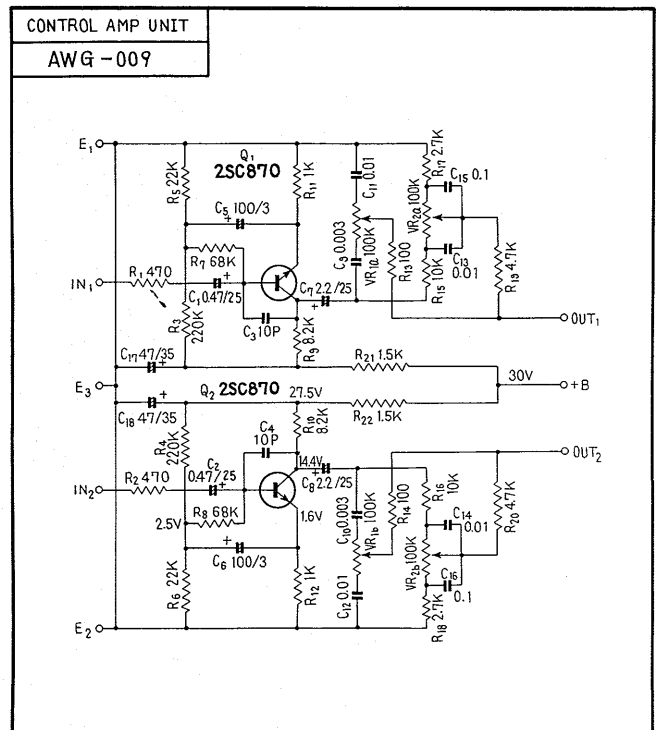
ITEM NO.	VACANT
R ₁	
R ₂	
R ₃	
R ₄	
R ₅	
C ₁	
C ₂	
C ₃	
C ₄	
C ₅	
C ₆	
C ₇	
C ₈	

- S₁ : INPUT SELECTOR**
 (1) TUNER
 (2) PHONO
 (3) AUX 1
 (4) AUX 2
- S₂ : MODE SELECTOR**
 (1) RIGHT
 (2) STEREO
 (3) LEFT
 (4) STEREO (6) RIGHT
- PUSH SWITCHES**
 S₃ SPEAKERS ON ↔ OFF
 S₄ POWER SWITCH ON ↔ OFF
 S₅ LINE VOLTAGE SELECTOR
- POTENTIOMETER**
 VR₁ VOLUME CONTROL
- CAPACITORS**
 NON MARK : μF
 P : μF
- RESISTORS**
 NON MARK : OHM
 K : KILOHM
- V :** DC VOLTAGE AT NO. INPUT SIGNAL
(V_r) : RIPPLE VOLTAGE
(I_r) : DC CURRENT AT NO. INPUT SIGNAL
(I_s) : DC CURRENT AT MAX. INPUT SIGNAL
(V_s) : SIGNAL VOLTAGE AT 18W/8Ω (SPEAKER OUTPUT)
- ALL VOLTAGES MEASURED WITH V.T.V.M.

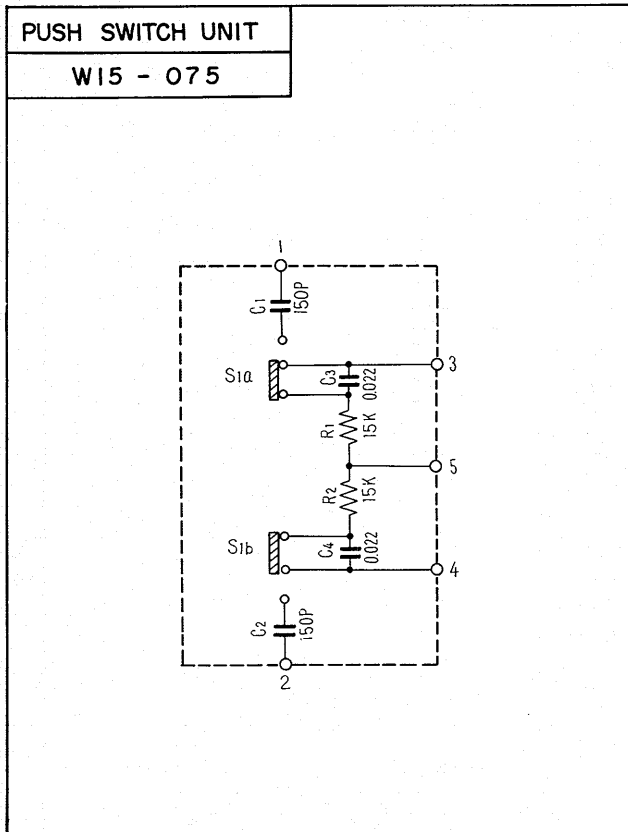
HEAD AMP UNIT



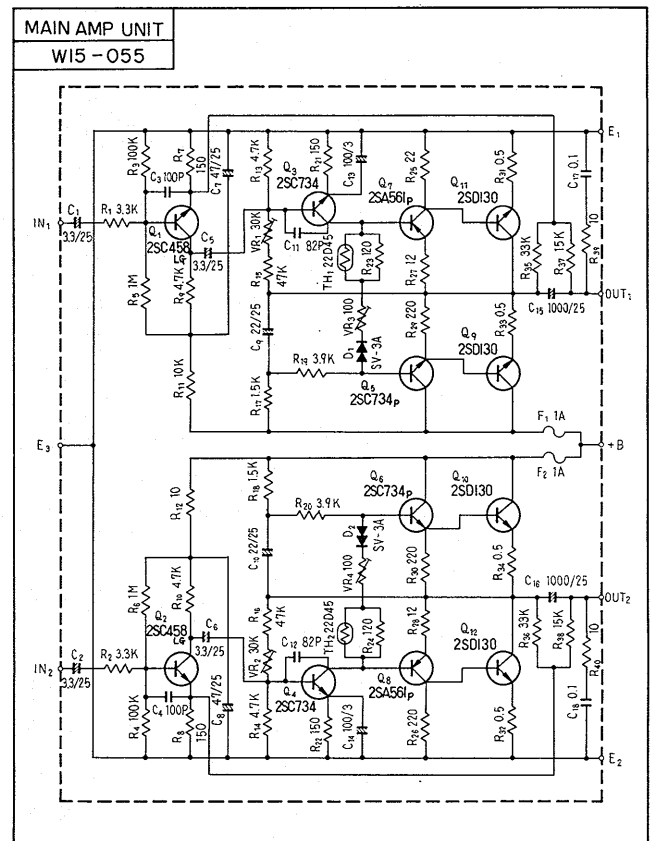
CONTROL AMP UNIT



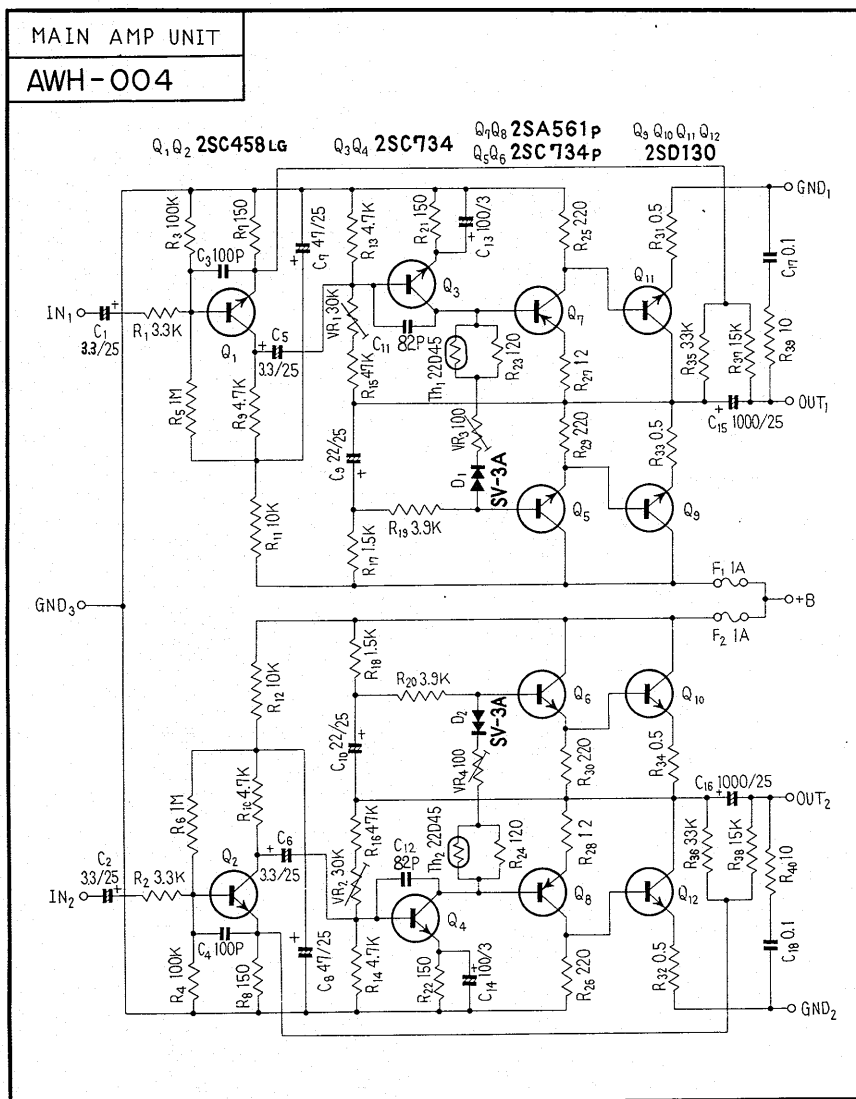
PUSH SWITCH UNIT



MAIN AMP UNIT



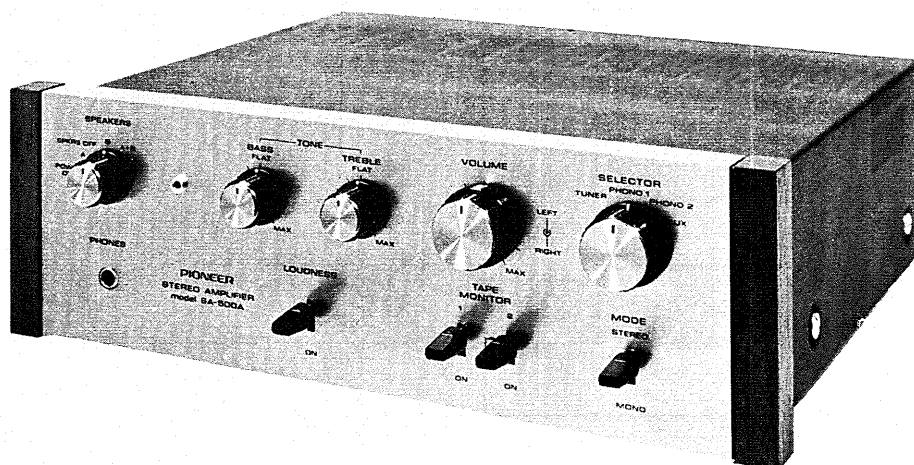
MAIN AMP UNIT for NB model

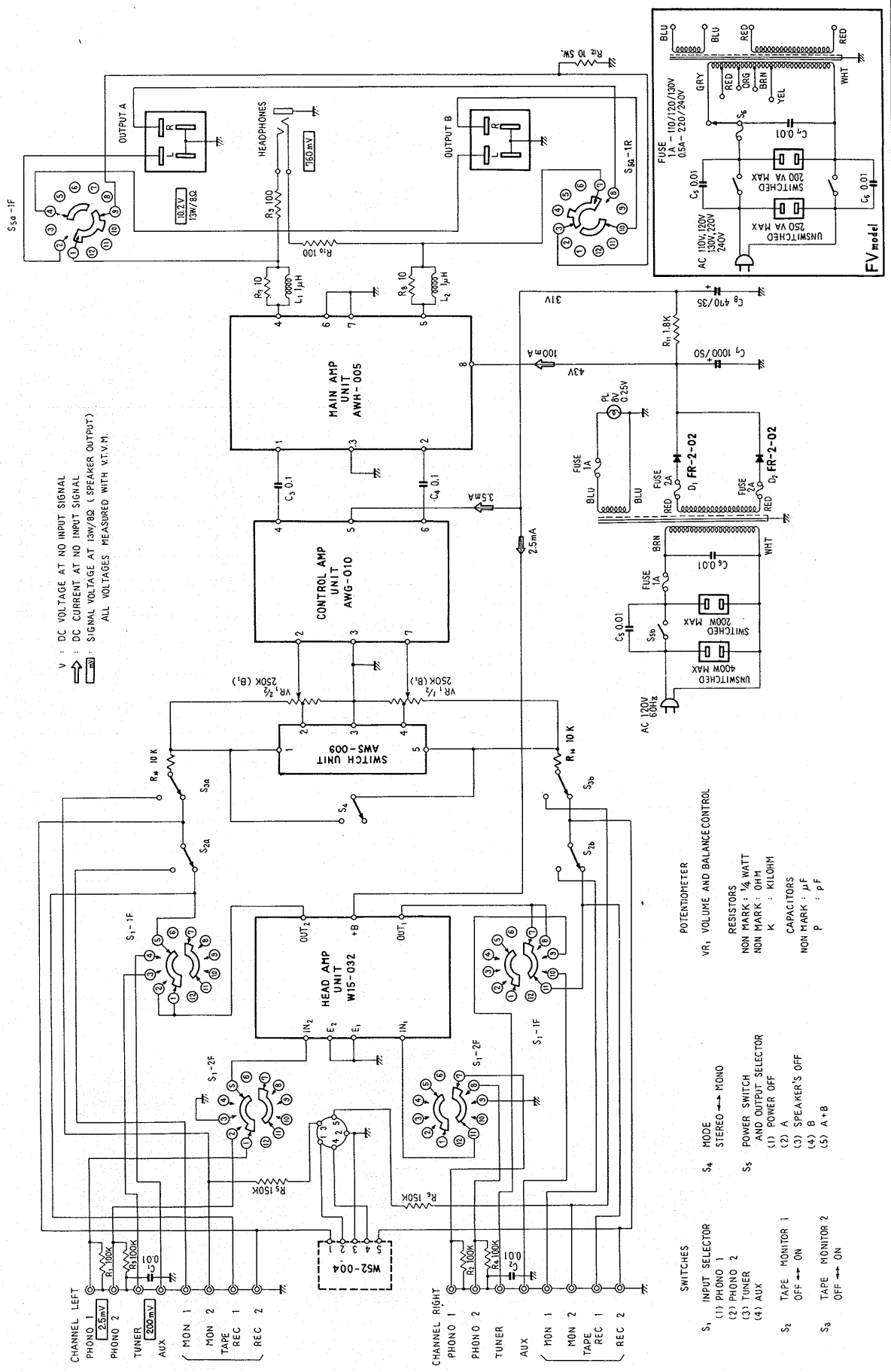


STEREO AMPLIFIER

SA-500A

ROUND LABEL UNIT	FV	K	KC			
FM FRONT END						
FM IF UNIT						
MPX UNIT						
AM TUNER UNIT						
MUTING UNIT						
HEAD AMP UNIT	W15-032	W15-032	W15-032			
CONTROL AMP UNIT	AWG-010	AWG-010	AWG-010			
MAIN AMP UNIT	AWH-005	AWH-005	AWH-005			
POWER SUPPLY UNIT						
SWITCH UNIT	AWS-009	AWS-009	AWS-009			
SWITCH UNIT						
SWITCH UNIT						
TONE COLOR UNIT						
CONTROL UNIT						
MIC AMP UNIT						
REVERBE AMP UNIT						
REVERBE UNIT						

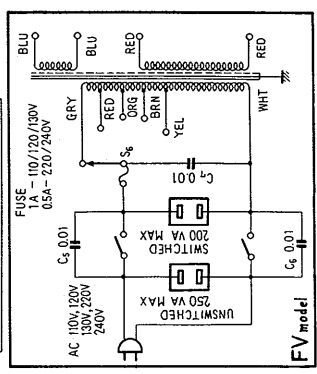




V : DC VOLTAGE AT NO INPUT SIGNAL
 I : DC CURRENT AT NO INPUT SIGNAL
 SIGNAL VOLTAGE AT 1W/8Ω (SPEAKER OUTPUT)
 ALL VOLTAGES MEASURED WITH V.T.V.M.

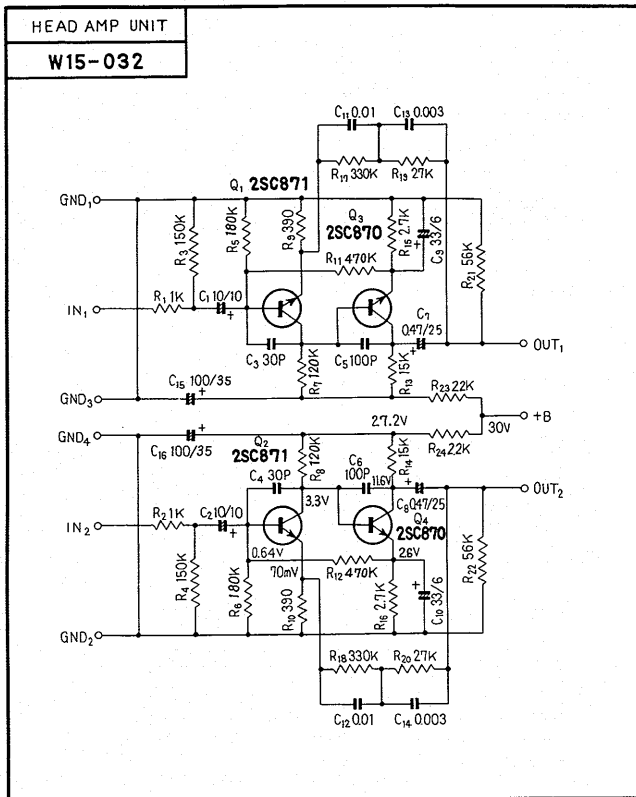


- POTENTIOMETER**
 VR₁ VOLUME AND BALANCE CONTROL
- RESISTORS**
 NON MARK : 1/4 WATT
 NON MARK : ΩHM
 K : KILOHM
- CAPACITORS**
 NON MARK : μF
 P : pF
- SWITCHES**
 S₁ INPUT SELECTOR
 (1) PHONO 1
 (2) PHONO 2
 (3) TUNER
 (4) AUX
- S₂ TAPE MONITOR 1
 OFF ↔ ON
- S₃ TAPE MONITOR 2
 OFF ↔ ON
- S₄ MODE STEREO ↔ MONO
- S₅ POWER SWITCH AND OUTPUT SELECTOR
 (1) POWER OFF
 (2) A
 (3) SPEAKER'S OFF
 (4) B
 (5) A+B

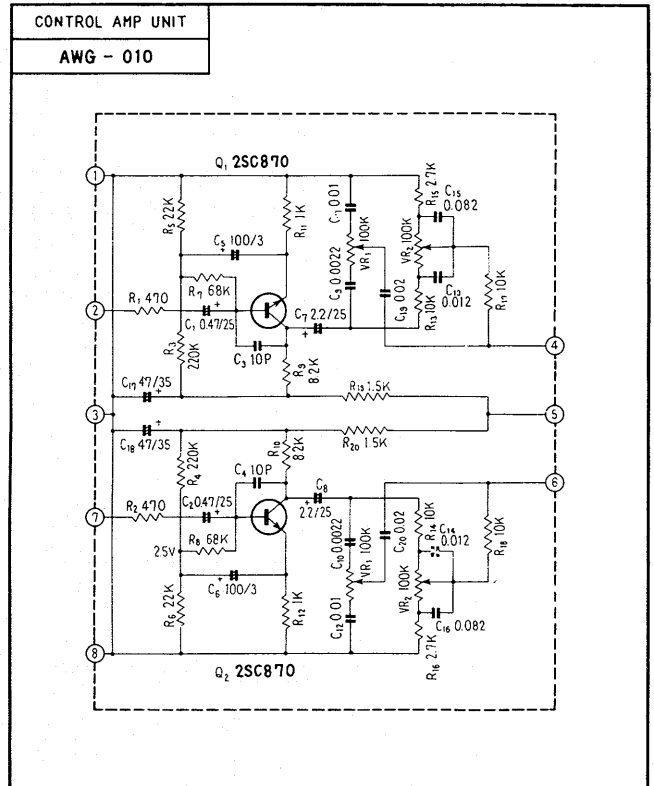


FV model

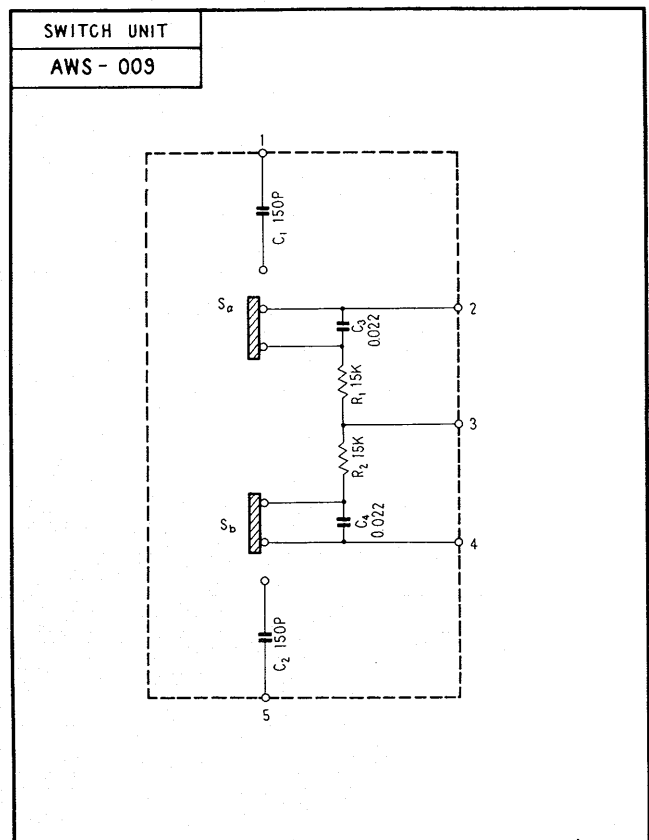
HEAD AMP UNIT



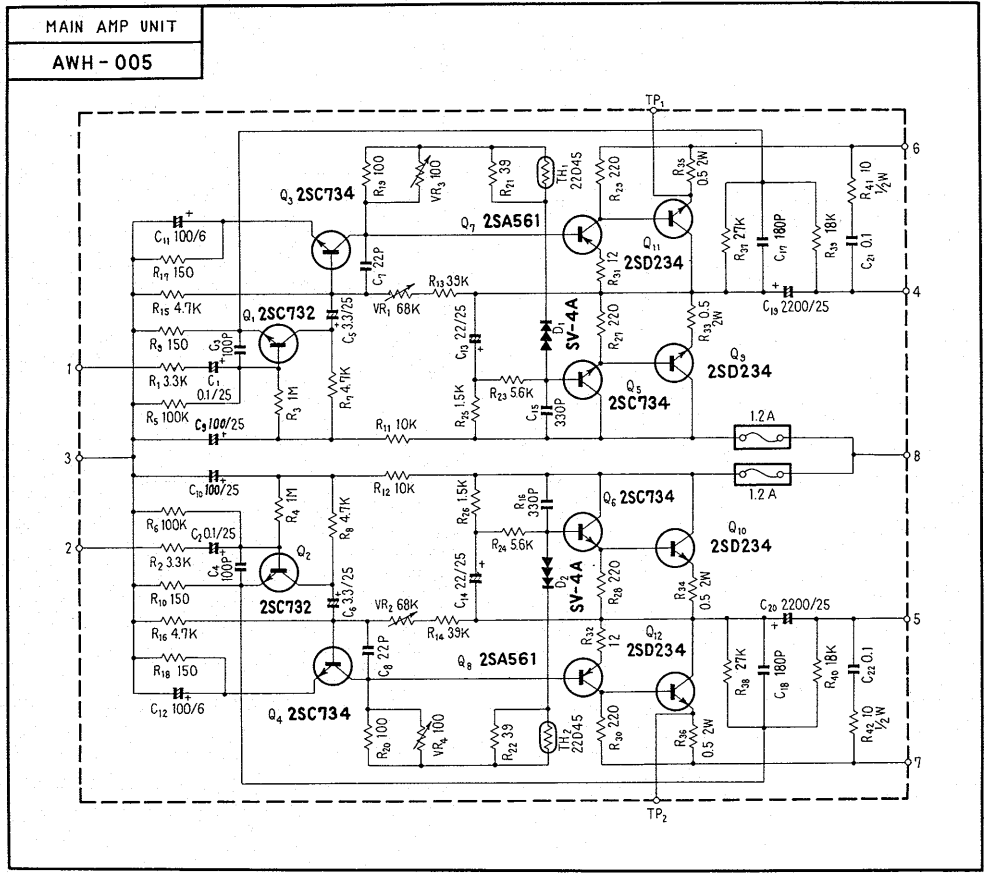
CONTROL AMP UNIT



SWITCH UNIT



MAIN AMP UNIT

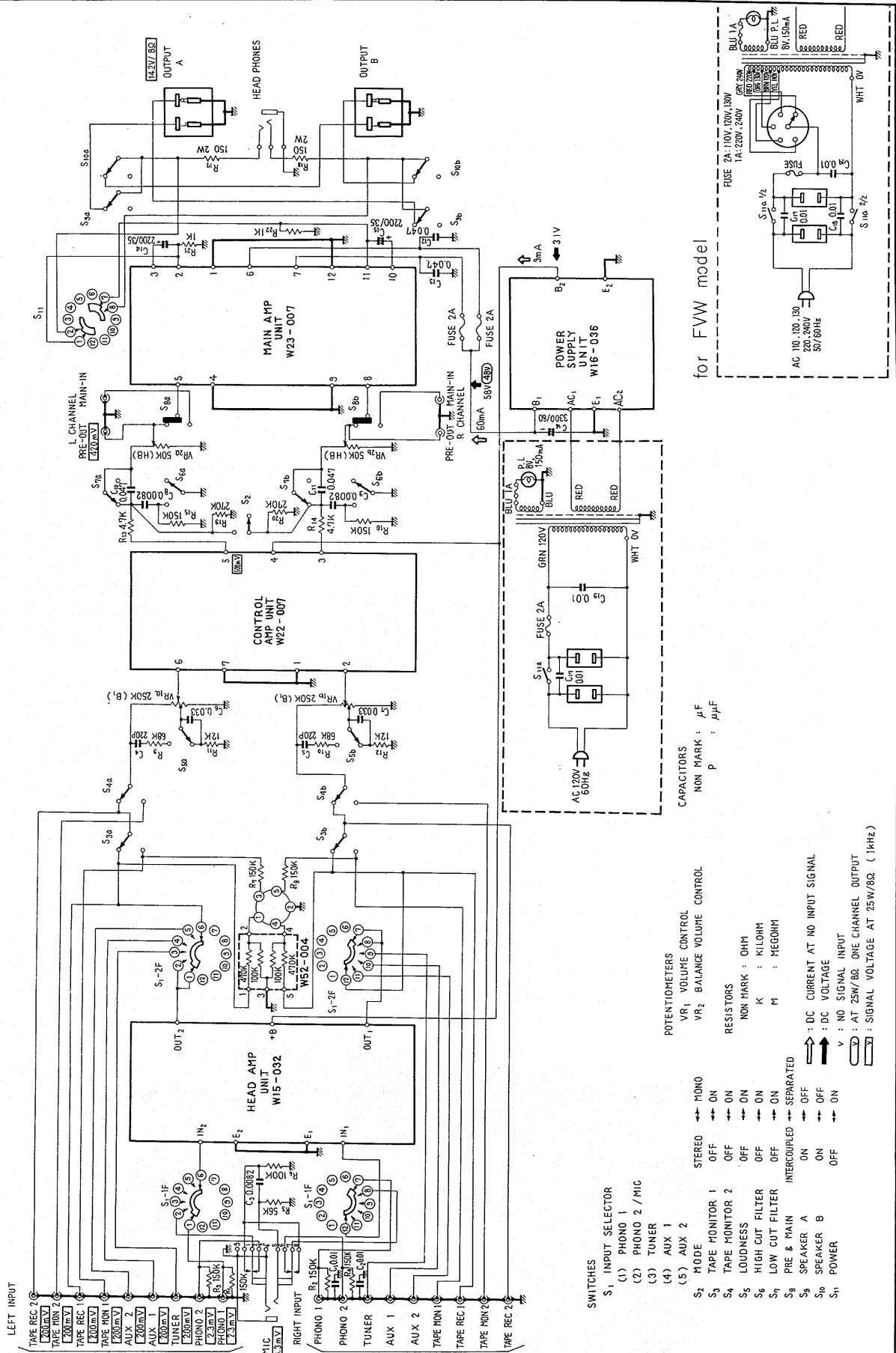


STEREO AMPLIFIER

SA-600

UNIT \ ROUND LABEL	FWW	KUW	KW			
FM FRONT END						
FM IF UNIT						
MPX UNIT						
AM TUNER UNIT						
MUTING UNIT						
HEAD AMP UNIT	W15-032	W15-032	W15-032			
CONTROL AMP UNIT	W22-007	W22-007	W22-007			
MAIN AMP UNIT	W23-007	W23-007	W23-007			
POWER SUPPLY UNIT	W16-036	W16-036	W16-036			
SWITCH UNIT						
SWITCH UNIT						
SWITCH UNIT						
TONE COLOR UNIT						
CONTROL UNIT						
MIC AMP UNIT						
REVERBE AMP UNIT						
REVERBE UNIT						





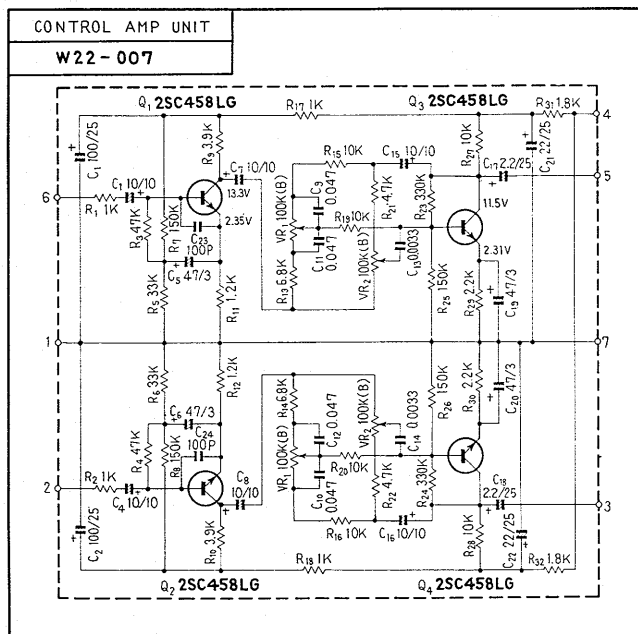
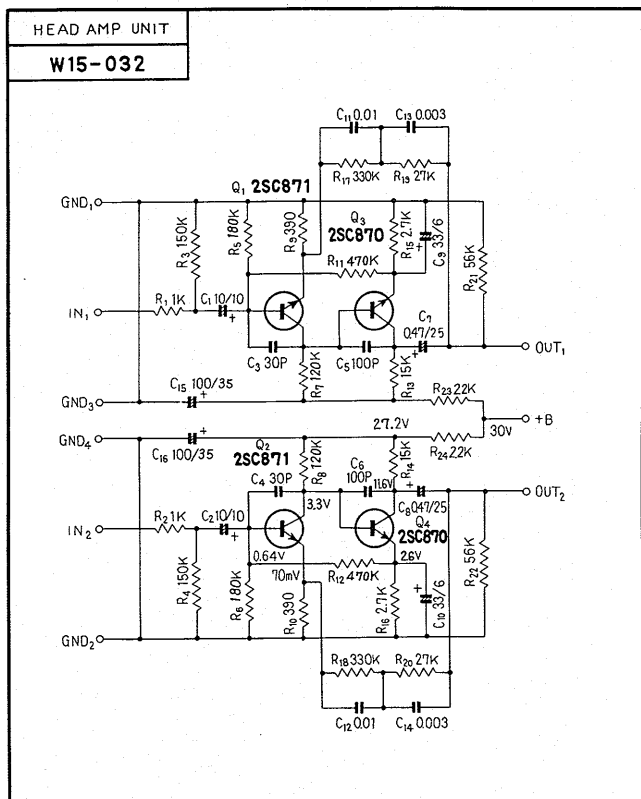
- POTENTIOMETERS**
 VR₁ VOLUME CONTROL
 VR₂ BALANCE VOLUME CONTROL
- RESISTORS**
 NON MARK : OHM
 K : KILOHM
 M : MEGOHM
- SWITCHES**
 S₁ INPUT SELECTOR
 (1) PHONO 1
 (2) PHONO 2 / MIC
 (3) TUNER
 (4) AUX 1
 (5) AUX 2
- STEREO** MONO
 OFF ON
- S₂ MODE**
 OFF ON
- S₃ TAPE MONITOR 1** OFF ON
- S₄ TAPE MONITOR 2** OFF ON
- S₅ LOUDNESS** OFF ON
- S₆ HIGH CUT FILTER** OFF ON
- S₇ LOW CUT FILTER** OFF ON
- INTERCOUPLED** SEPARATED
- S₈ PRE & MAIN** ON OFF
- S₉ SPEAKER A** ON OFF
- S₁₀ SPEAKER B** ON OFF
- S₁₁ POWER** ON OFF
- ↑ : DC CURRENT AT NO INPUT SIGNAL
 V : DC VOLTAGE
 : AT 25W/8Ω ONE CHANNEL OUTPUT
 : SIGNAL VOLTAGE AT 25W/8Ω (1KHz)

CAPACITORS
 NON MARK : μF
 P : μμF

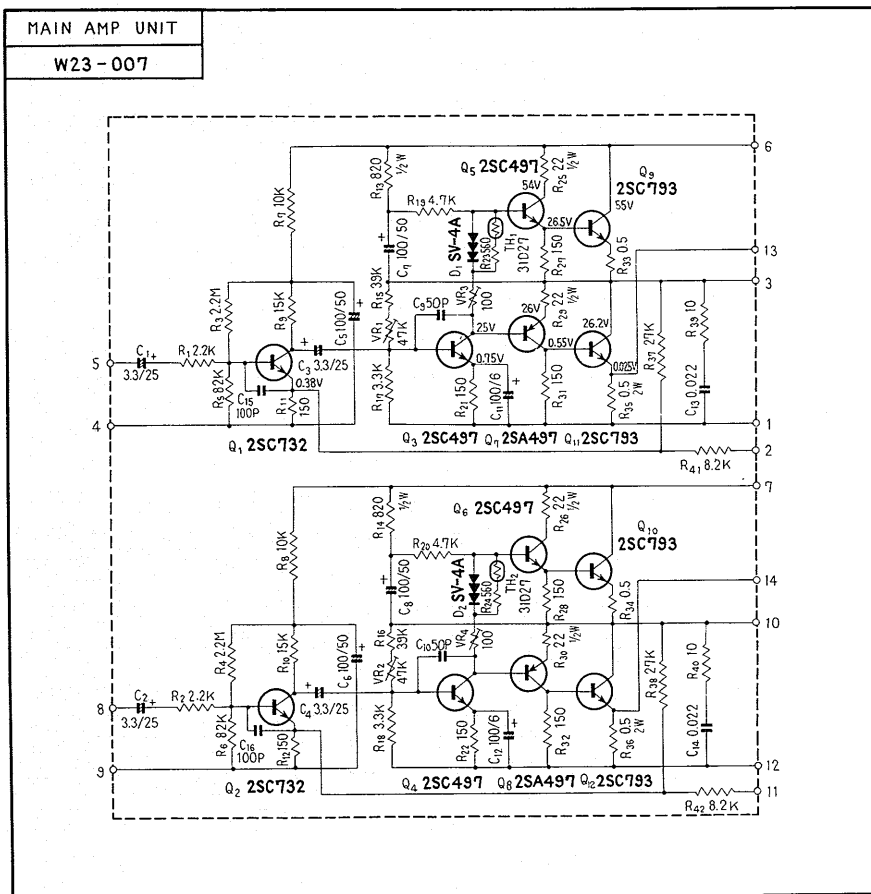


HEAD AMP UNIT

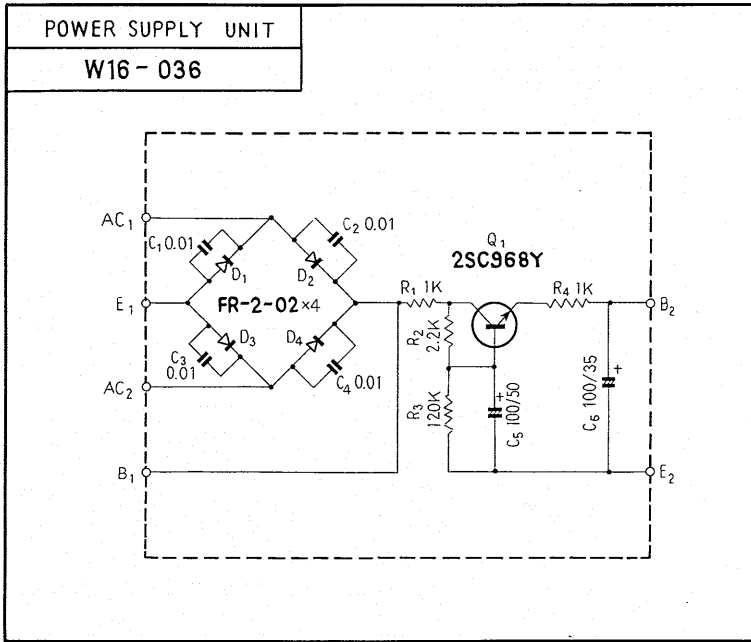
CONTROL AMP UNIT



MAIN AMP UNIT



POWER SUPPLY UNIT

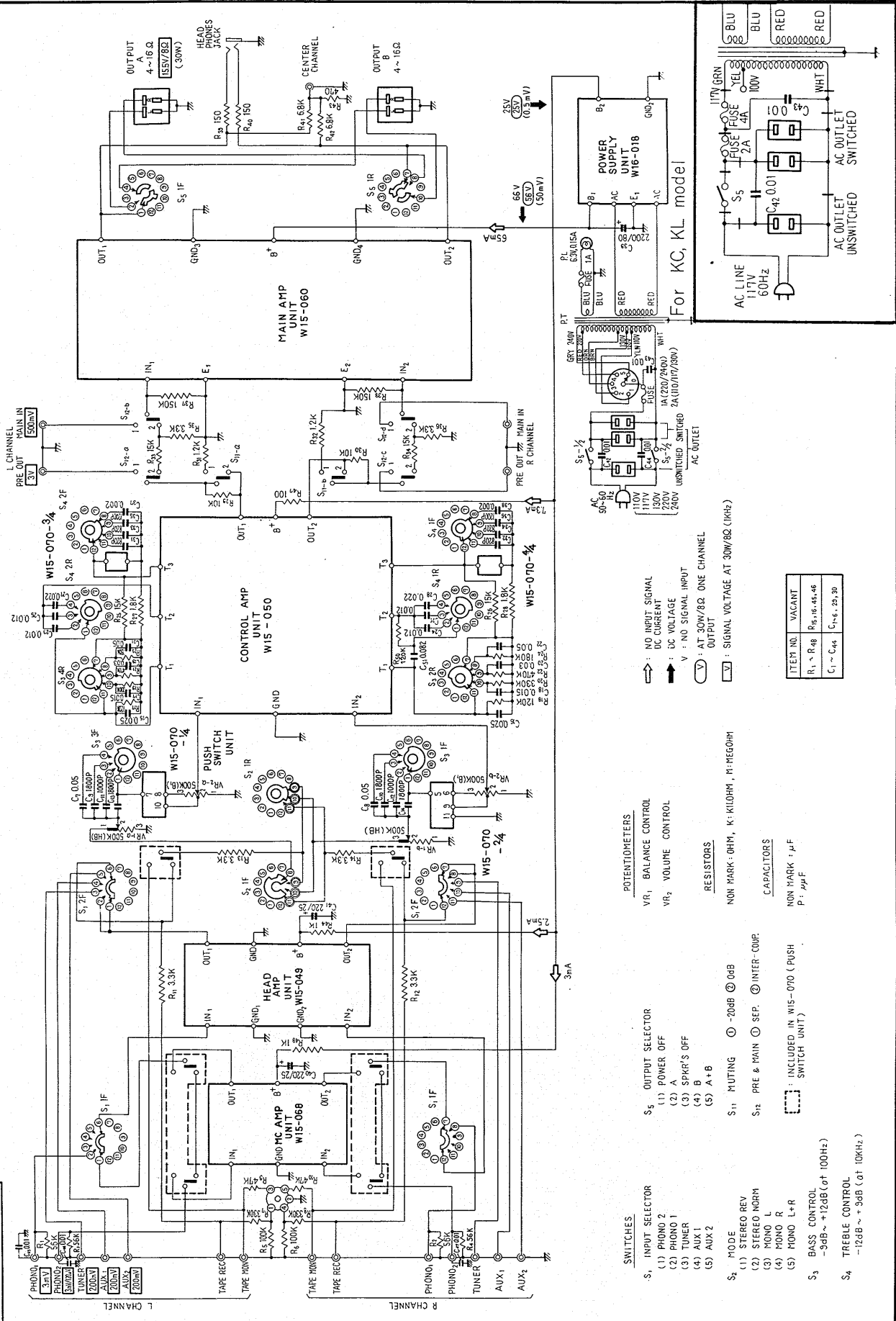


STEREO AMPLIFIER

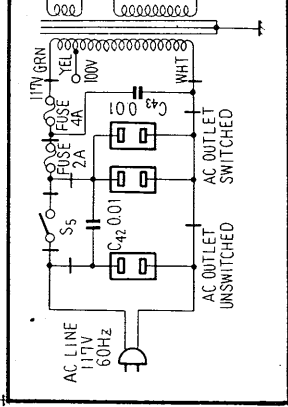
SA-700

UNIT	ROUND LABEL	FA	FV	KL			
TUNER UNIT							
FM FRONT END							
FM IF UNIT							
MPX UNIT							
AM TUNER UNIT							
MUTING UNIT							
HEAD AMP UNIT	W15-049	W15-049	W15-049				
CONTROL AMP UNIT	W15-050	W15-050	W15-050				
MAIN AMP UNIT	W15-060	W15-060	W15-060				
POWER SUPPLY UNIT	W16-018	W16-018	W16-018				
SWITCH UNIT	W15-070	W15-070	W15-070				
SWITCH UNIT	W15-083	W15-083	W15-083				
SWITCH UNIT							
TONE COLOR UNIT							
CONTROL UNIT							
MIC AMP UNIT							
REVERBE AMP UNIT							
REVERBE UNIT							
MC AMP UNIT	W15-068	W15-068	W15-068				





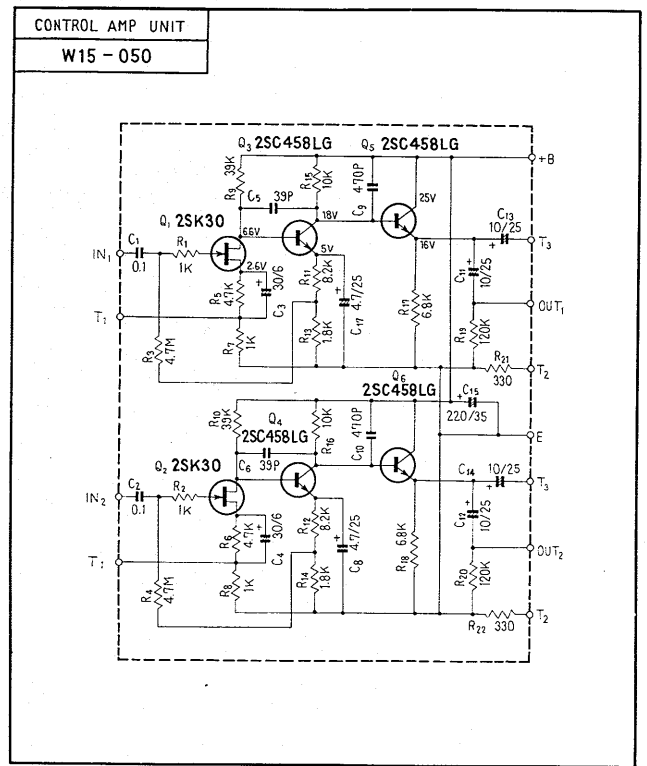
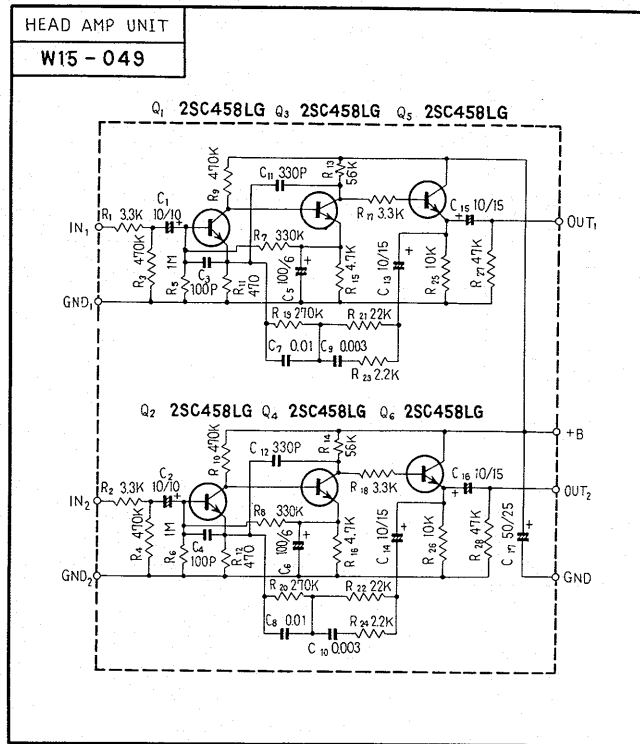
- SWITCHES**
- S₁ INPUT SELECTOR
 - (1) PHONO 2
 - (2) PHONO 1
 - (3) TUNER
 - (4) AUX 1
 - (5) AUX 2
 - S₂ MODE
 - (1) STEREO REV
 - (2) STEREO NORM
 - (3) MONO R
 - (4) MONO L+R
 - (5) MONO L+R
 - S₃ BASS CONTROL
 - 3dB ~ +12dB (at 100Hz)
 - S₄ TREBLE CONTROL
 - 12dB ~ +3dB (at 10kHz)
 - S₅ OUTPUT SELECTOR
 - (1) POWER OFF
 - (2) A
 - (3) SPKR'S OFF
 - (4) B
 - (5) A+B
 - S₁₁ MUTING
 - ⊖ -20dB ⊕ 0dB
 - S₁₂ PRE & MAIN SEP.
 - ⊖ INTER-COUPL.
- POTENTIOMETERS**
- VR₁ BALANCE CONTROL
 - VR₂ VOLUME CONTROL
- RESISTORS**
- NON-MARK: OHM, K: KILOHM, M: MEGOHM
- CAPACITORS**
- NON-MARK: μF
P: pF
- Legend:**
 ○ INCLUDED IN W15-070 (PUSH SWITCH UNIT)
 ⊖ INTER-COUPL.



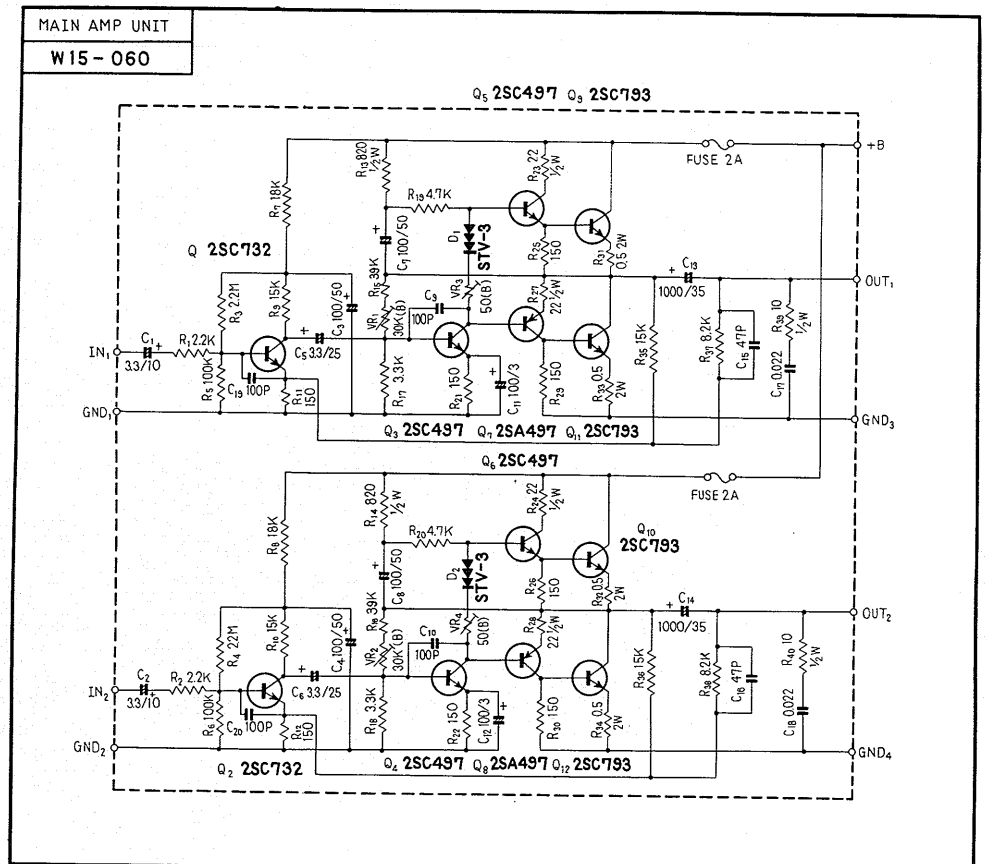
ITEM NO.	VACANT
R ₁ ~ R ₄₆	R ₄₇ ~ R ₅₅ 448-46
C ₁ ~ C ₄	C ₅ ~ C ₆ 25-30

HEAD AMP UNIT

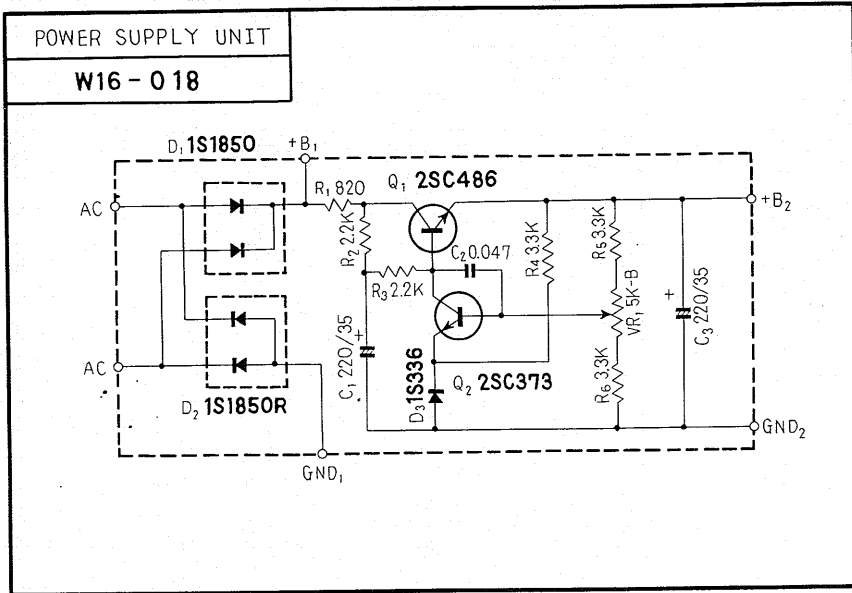
CONTROL AMP UNIT



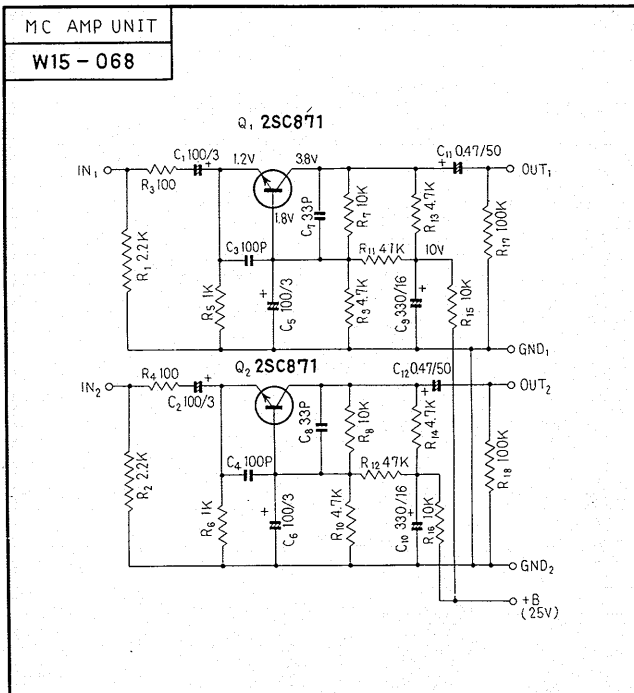
MAIN AMP UNIT



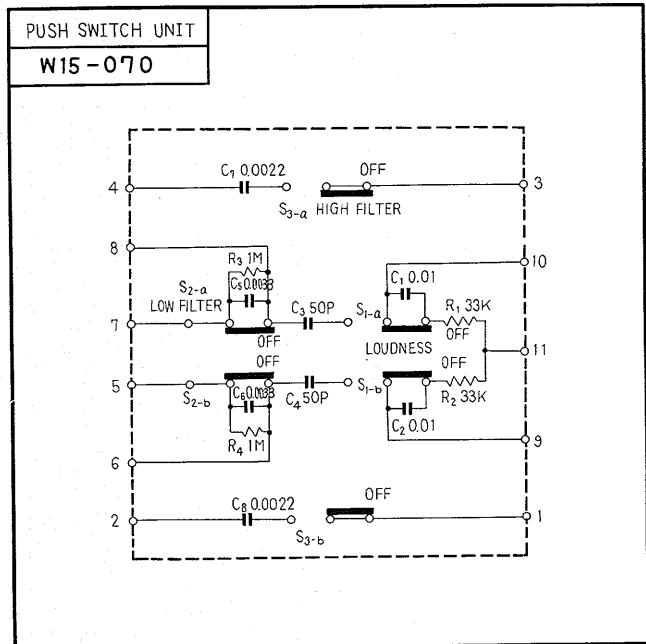
POWER SUPPLY UNIT



MC AMP UNIT



PUSH SWITCH UNIT

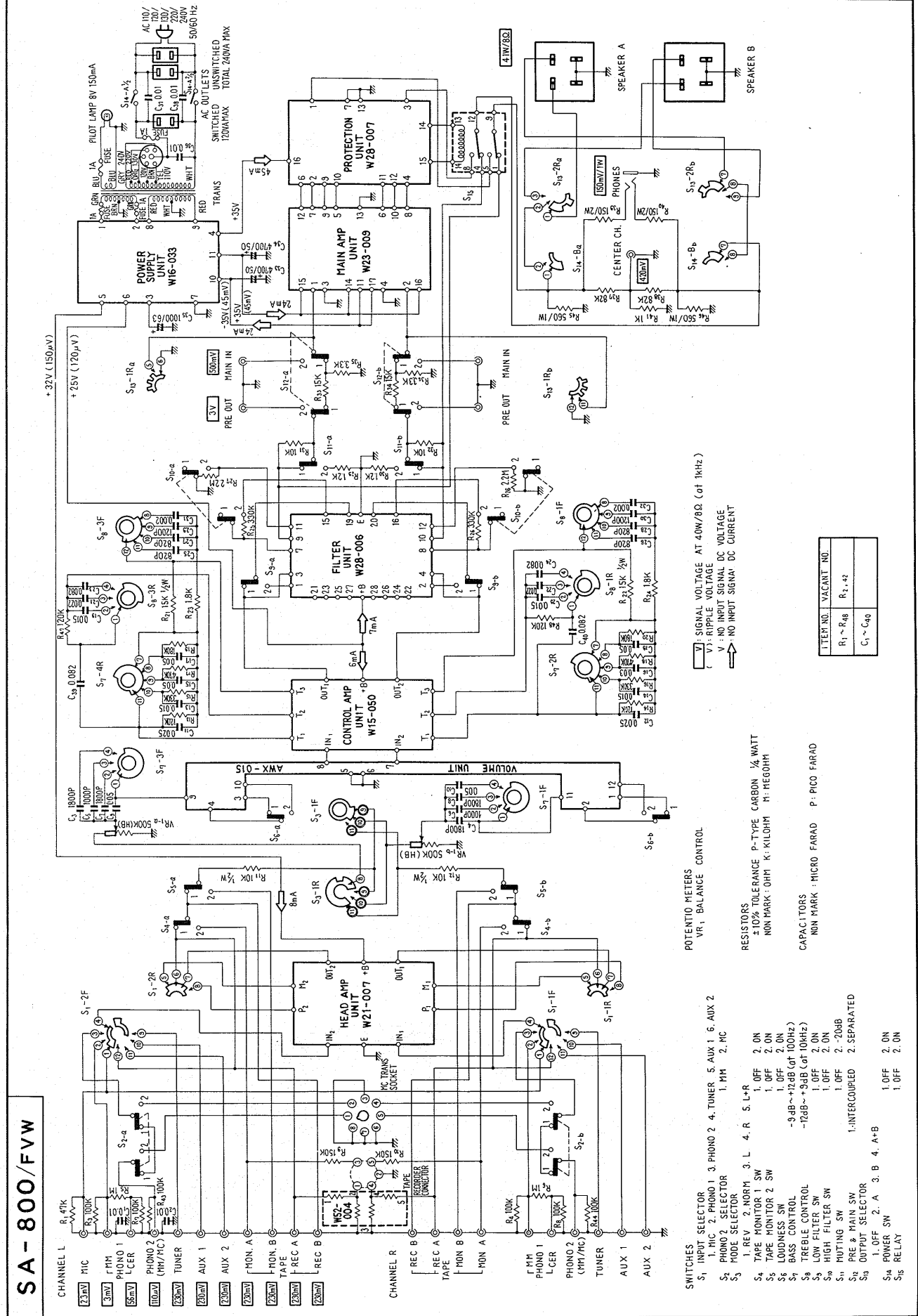


STEREO AMPLIFIER

SA-800

UNIT \ ROUND LABEL	FVW	KUW	KCW			
FM FRONT END						
FM IF UNIT						
MPX UNIT						
AM TUNER UNIT						
MUTING UNIT						
HEAD AMP UNIT	W21-007	W21-007	W21-007			
CONTROL AMP UNIT	W15-050	W15-050	W15-050			
MAIN AMP UNIT	W23-009	W23-009	W23-009			
POWER SUPPLY UNIT	W16-033	W16-033	W16-033			
SWITCH UNIT						
SWITCH UNIT						
SWITCH UNIT						
VR UNIT	AWX-015	AWX-015	AWX-015			
CONTROL UNIT						
MIC AMP UNIT						
FILTER UNIT	W28-006	W28-006	W28-006			
REVERBE UNIT						
PROTECTION UNIT	W28-007	W28-007	W28-007			





SA-800/FVW

- CHANNEL L**
- 23mV MIC
 - 3mV FPM
 - 55mV PHONO 1
 - 110mV L-CER
 - 110mV PHONO 2
 - 230mV (FM/TC)
 - 230mV TUNER
 - 230mV AUX 1
 - 230mV AUX 2
 - 230mV MON. A
 - 230mV MON. B
 - 230mV TAPE
 - 230mV REC A
 - 230mV REC B
- CHANNEL R**
- REC B
 - REC A
 - MON B
 - MON A
 - F.M.K. PHONO 1
 - L-CER
 - PHONO 2
 - (FM/TC)
 - TUNER
 - AUX 1
 - AUX 2

- SWITCHES**
- S₁ INPUT SELECTOR
 - S₂ PHONO 2 SELECTOR
 - S₃ MODE SELECTOR
 - S₄ 1. REV 2. NORM 3. L 4. R S.L+R
 - S₅ TAPE MONITOR 1 SW
 - S₆ TAPE MONITOR 2 SW
 - S₇ LOUDNESS SW
 - S₈ TREBLE CONTROL
 - S₉ BASS CONTROL
 - S₁₀ LOW FILTER SW
 - S₁₁ HIGH FILTER SW
 - S₁₂ MUTING SW
 - S₁₃ PRE & MAIN SW
 - S₁₄ OUTPUT SELECTOR
 - S₁₅ 1. OFF 2. 20dB
 - S₁₆ 1. OFF 2. A 3. B 4. A+B
 - S₁₇ POWER SW
 - S₁₈ 1. OFF 2. ON
 - S₁₉ 1. OFF 2. ON

POTENTIOMETERS
VR₁ BALANCE CONTROL

RESISTORS
±10% TOLERANCE P-TYPE CARBON 1/4 WATT
NON-MARK - OHM K: KILOHM M: MEGOHM

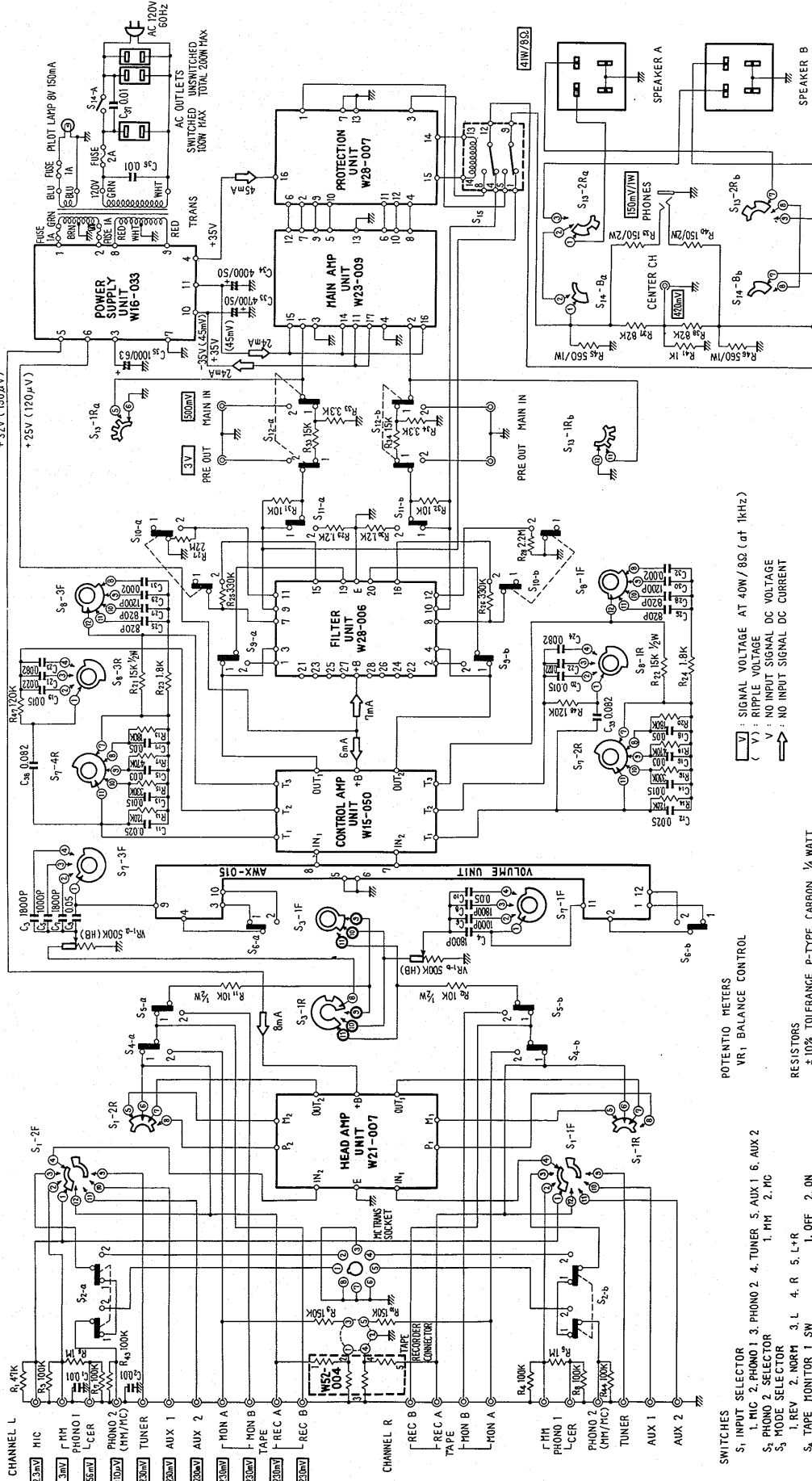
CAPACITORS
NON-MARK : MICRO FARAD P: PICO FARAD

□ SIGNAL VOLTAGE AT 40W/8Ω (at 1kHz)
○ SUPPLY VOLTAGE
▽ NO INPUT SIGNAL DC VOLTAGE
→ NO INPUT SIGNAL DC CURRENT

TYPE NO.	VACANT NO.
R ₁ ~ R ₄₆	R ₂ ~ 42
C ₁ ~ C ₄₀	

SA-800 for KUW, KCW model

SA - 800 / KUW



[V] : SIGNAL VOLTAGE AT 40W/8Ω (at 1kHz)
 (V) : RIPPLE VOLTAGE
 V : NO INPUT SIGNAL DC VOLTAGE
 ↑ : NO INPUT SIGNAL DC CURRENT

ITEM NO.	VARIANT NO.
R ₁ ~ R ₄₈	R ₂ , R ₄₂
C ₁ ~ C ₂₅	

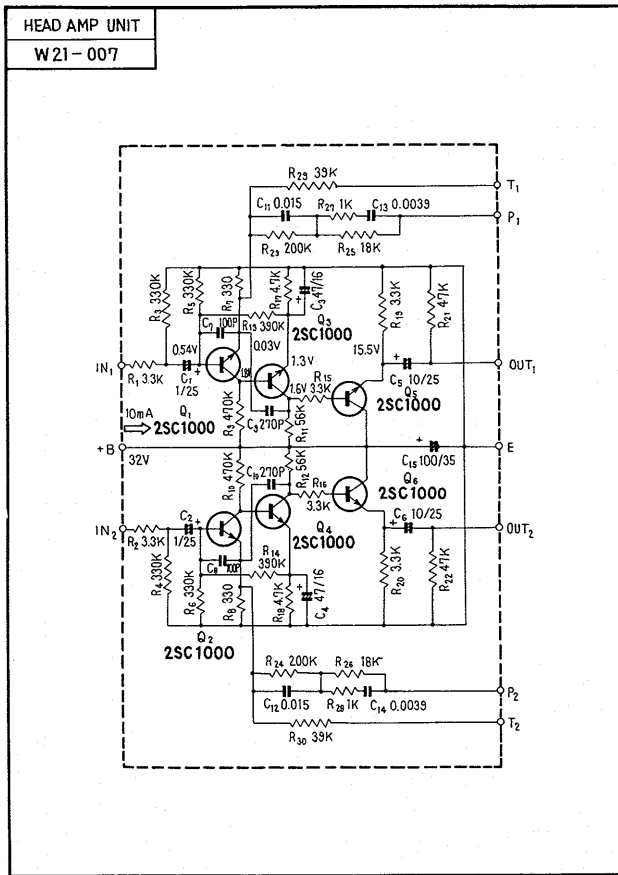
POTENTIOMETERS
VR1, BALANCE CONTROL

RESISTORS
± 10% TOLERANCE P-TYPE CARBON 1/4 WATT
NON MARK: OHM K-KILOHMH M-MEGOHMH

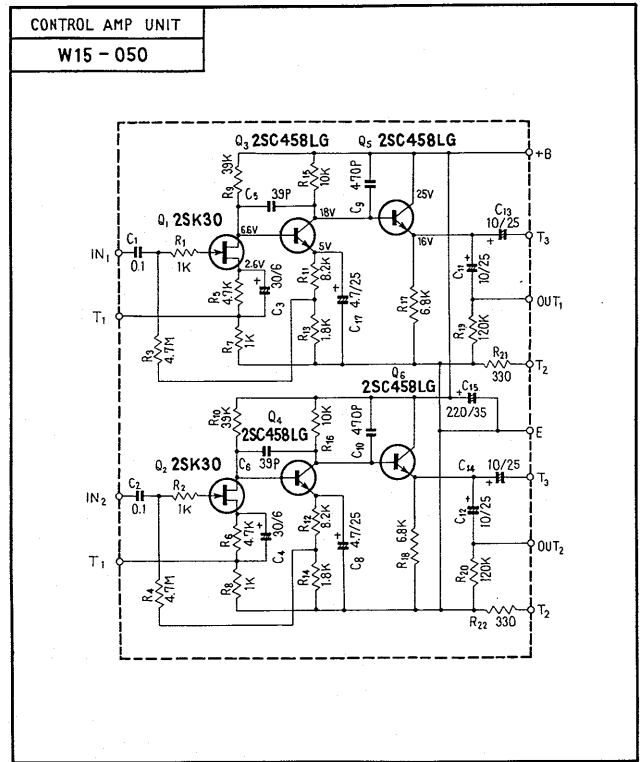
CAPACITORS
NON MARK: MICRO FARAD P: PICO FARAD

- SWITCHES
- S₁ INPUT SELECTOR
 - 1. MIC 2. PHONO 1 3. PHONO 2 4. TUNER 5. AUX 1 6. AUX 2
 - S₂ PHONO 2 SELECTOR
 - 1. MH 2. HG
 - S₃ MODE SELECTOR
 - 1. REV 2. NORM 3. L 4. R 5. L+R
 - S₄ TAPE MONITOR 1 SW
 - 1. OFF 2. ON
 - S₅ TAPE MONITOR 2 SW
 - 1. OFF 2. ON
 - S₆ LOUDNESS SW
 - 1. OFF 2. ON
 - S₇ BASS CONTROL
 - 9dB ~ +12dB (at 100Hz)
 - 12dB ~ +3dB (at 10kHz)
 - S₈ TREBLE CONTROL
 - 1. OFF 2. ON
 - S₉ LOW FILTER SW
 - 1. OFF 2. ON
 - S₁₀ HIGH FILTER SW
 - 1. OFF 2. ON
 - S₁₁ PRE & MAIN SW
 - 1. INTERCOUPLED 2. SEPARATED
 - S₁₂ OUTPUT SELECTOR
 - 1. OFF 2. A 3. B 4. A+B
 - S₁₄ POWER SW
 - 1. OFF 2. ON
 - S₁₅ RELAY
 - 1. OFF 2. ON

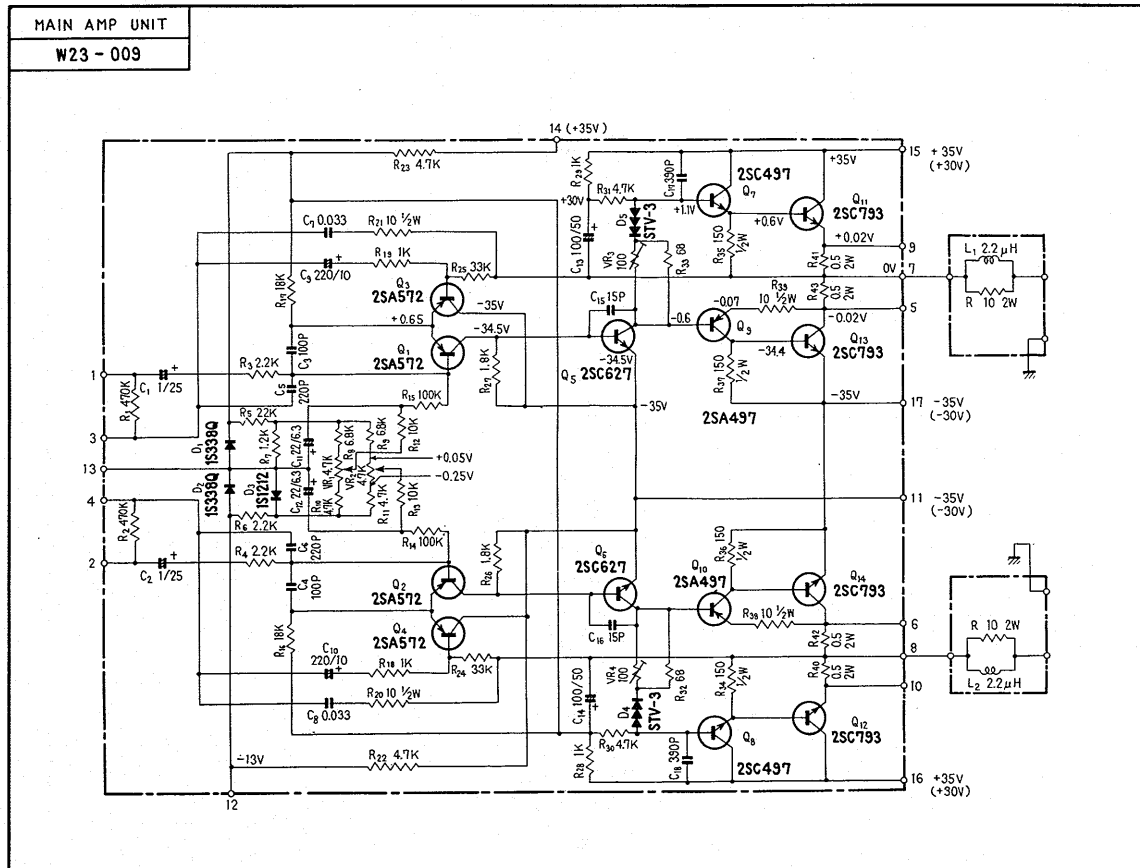
HEAD AMP UNIT



CONTROL AMP UNIT

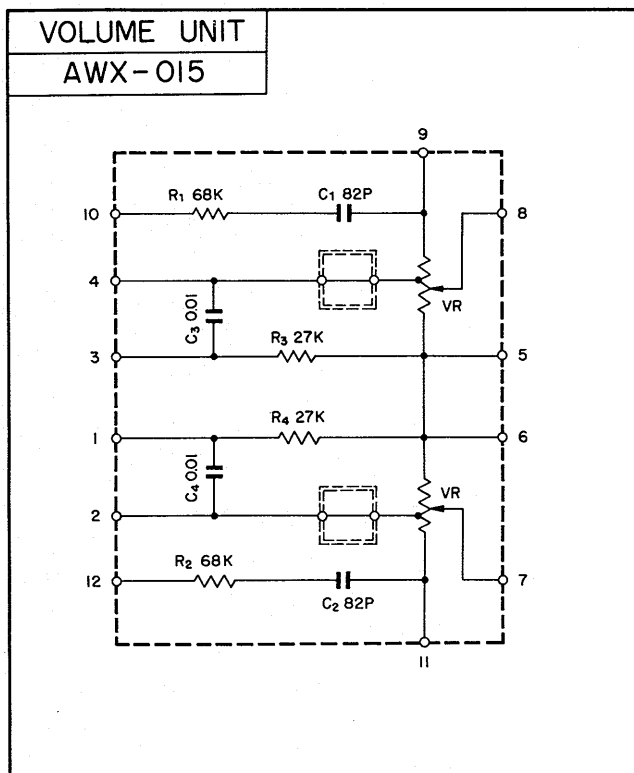
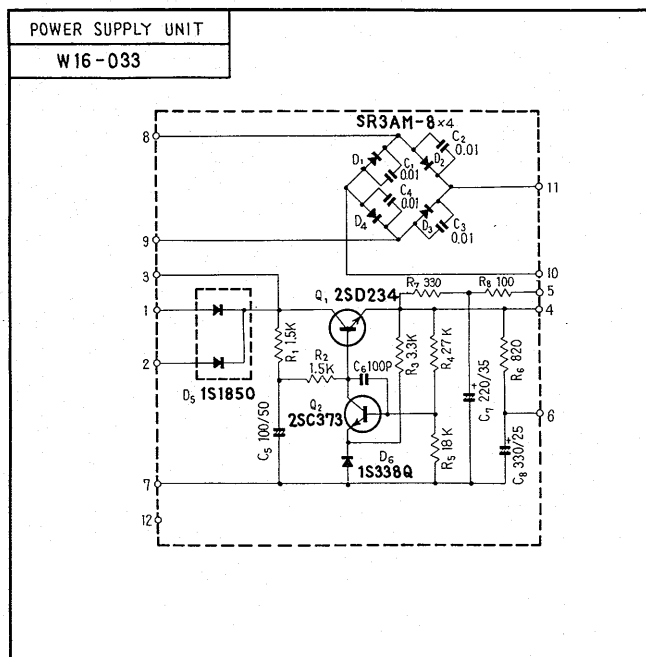


MAIN AMP UNIT

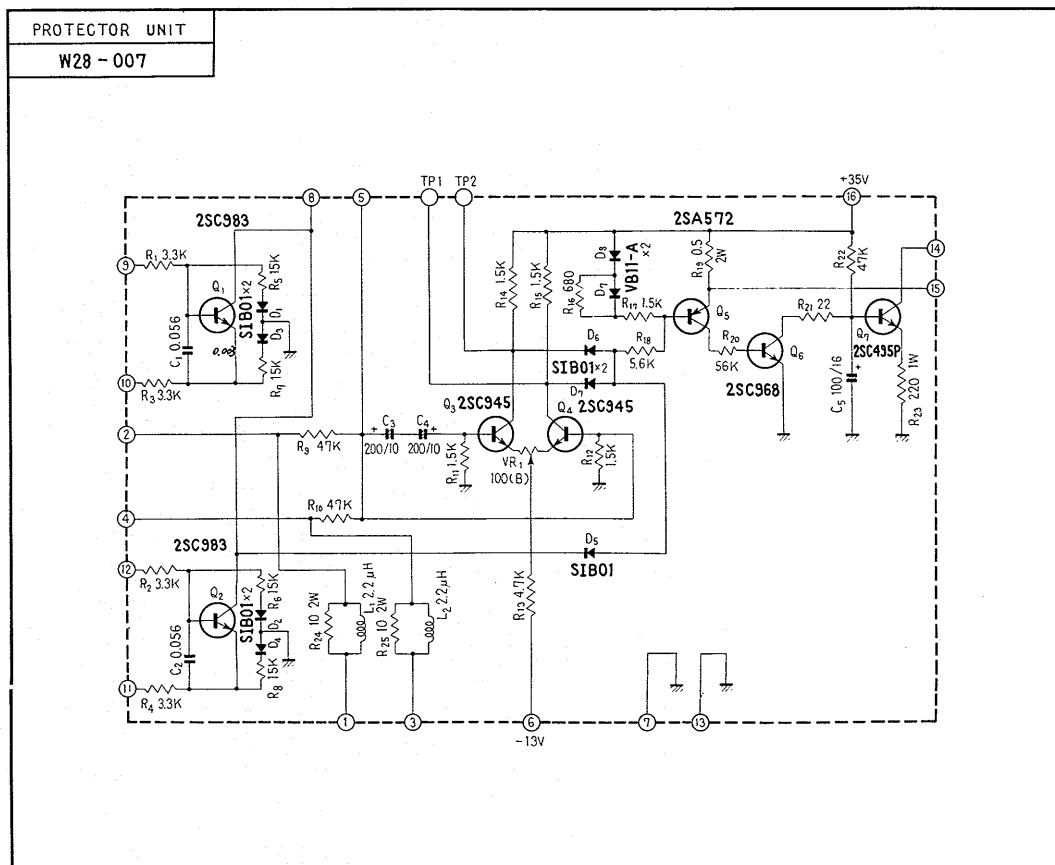


POWER SUPPLY UNIT

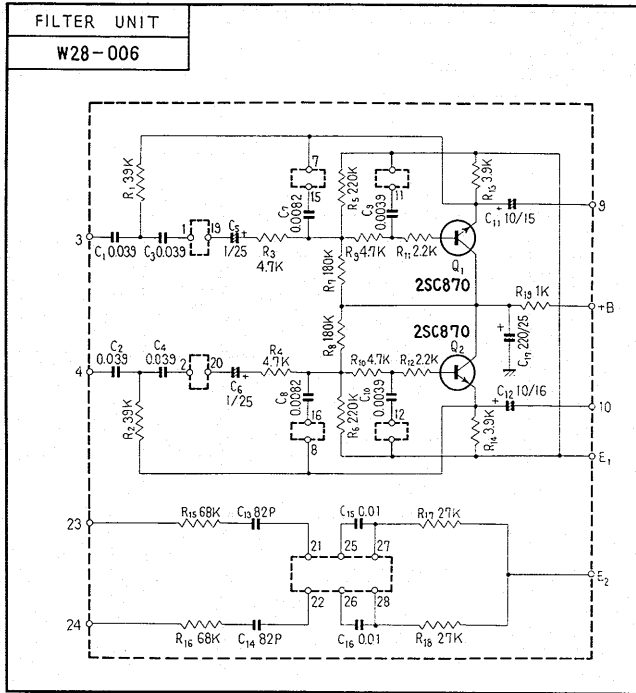
VOLUME UNIT



PROTECTOR UNIT



FILTER UNIT



STEREO AMPLIFIER

SA-900

UNIT \ ROUND LABEL	FA	FV	KC	KL		
FM FRONT END						
FM IF UNIT						
MPX UNIT						
AM TUNER UNIT						
MUTING UNIT						
HEAD AMP UNIT	W15-056	W15-056	W15-056	W15-056		
CONTROL AMP UNIT	W15-050	W15-050	W15-050	W15-050		
MAIN AMP UNIT	W23-010	W23-010	W23-010	W23-010		
POWER SUPPLY UNIT	W16-017	W16-017	W16-017	W16-017		
SWITCH UNIT	W15-069	W15-069	W15-069	W15-069		
SWITCH UNIT						
SWITCH UNIT						
TONE COLOR UNIT						
CONTROL UNIT						
MIC AMP UNIT						
FILTER UNIT	W15-059	W15-059	W15-059	W15-059		
REVERBE UNIT						
MC AMP UNIT	W15-058	W15-058	W15-058	W15-058		



SA-900 for FA, FV model

SA-900

POTENTIOMETERS

VR1: MAIN VOLUME
VR2: BALANCE VOLUME

RESISTORS

NON MARK: OHM
M: MEGOHM
K: KILOHM

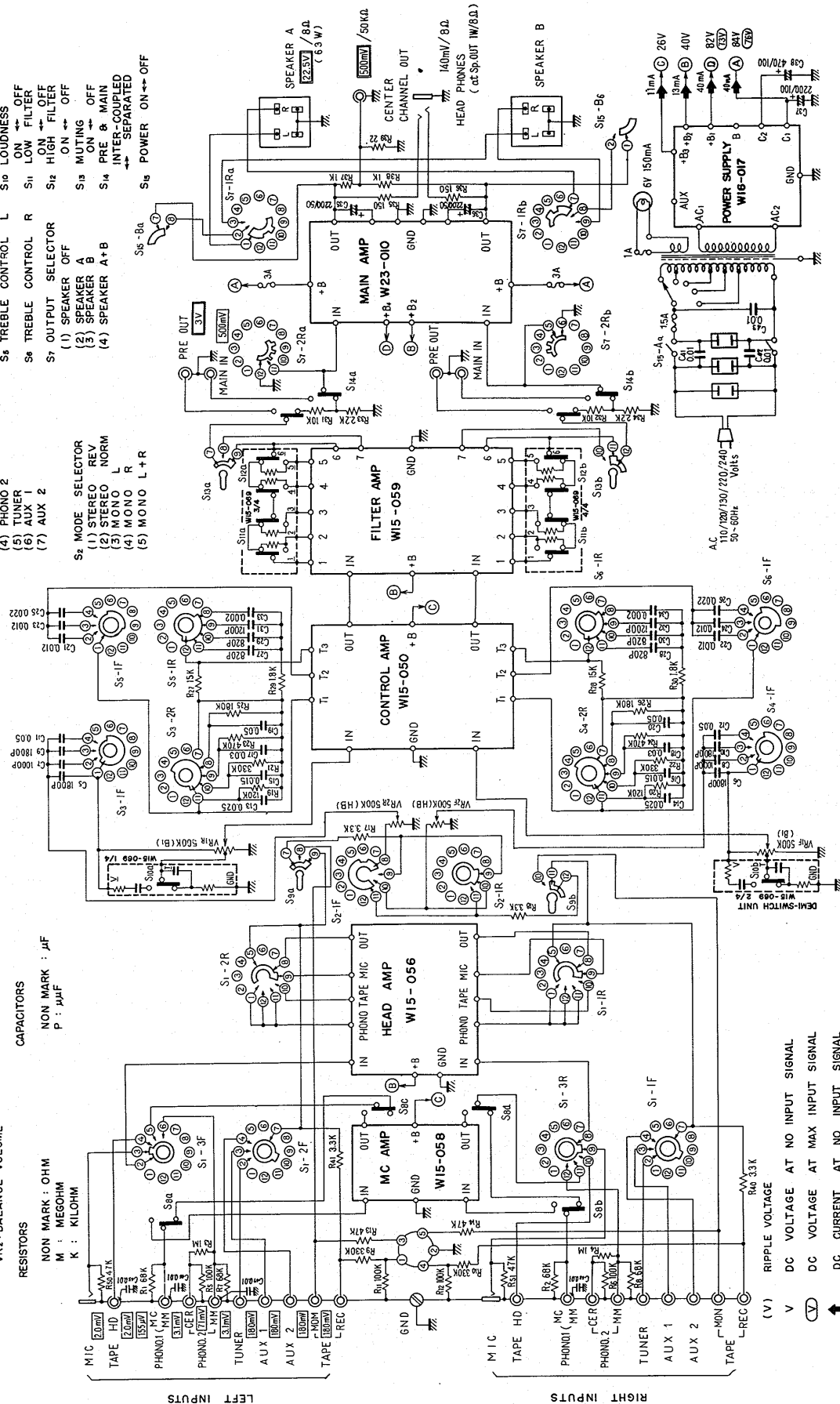
CAPACITORS

NON MARK: μ F
P: μ MF

- S1 INPUT SELECTOR
(1) TUNER HEAD
(2) PHONO 1
(3) PHONO 2
(4) TUNER
(5) AUX 1
(7) AUX 2

- S2 MODE SELECTOR
(1) STEREO REV.
(2) STEREO NORM.
(3) MONO L
(4) MONO R
(5) MONO L+R

- S3 BASS CONTROL L
S4 BASS CONTROL R
S5 TREBLE CONTROL L
S6 TREBLE CONTROL R
S7 OUTPUT SELECTOR
(1) SPEAKER OFF
(2) SPEAKER A
(3) SPEAKER B
(4) SPEAKER A+B
- S8 PHONO 1 SELECTOR
M MONO
M+M MONO+STEREO
OFF OFF
- S9 TAPE MONITOR OFF
ON ON
- S10 LOUDNESS OFF
ON ON
- S11 LOW FILTER OFF
ON ON
- S12 HIGH FILTER OFF
ON ON
- S13 MUTE OFF
ON ON
- S14 PRE & MAIN INTER-COUPLED
ON ON
SEPARATED SEPARATED
- S15 POWER ON OFF



ITEM NO.	VACANT
R1 ~ R51	R1516 R42-49
C1 ~ C44	C1-4 C39, C40, C44

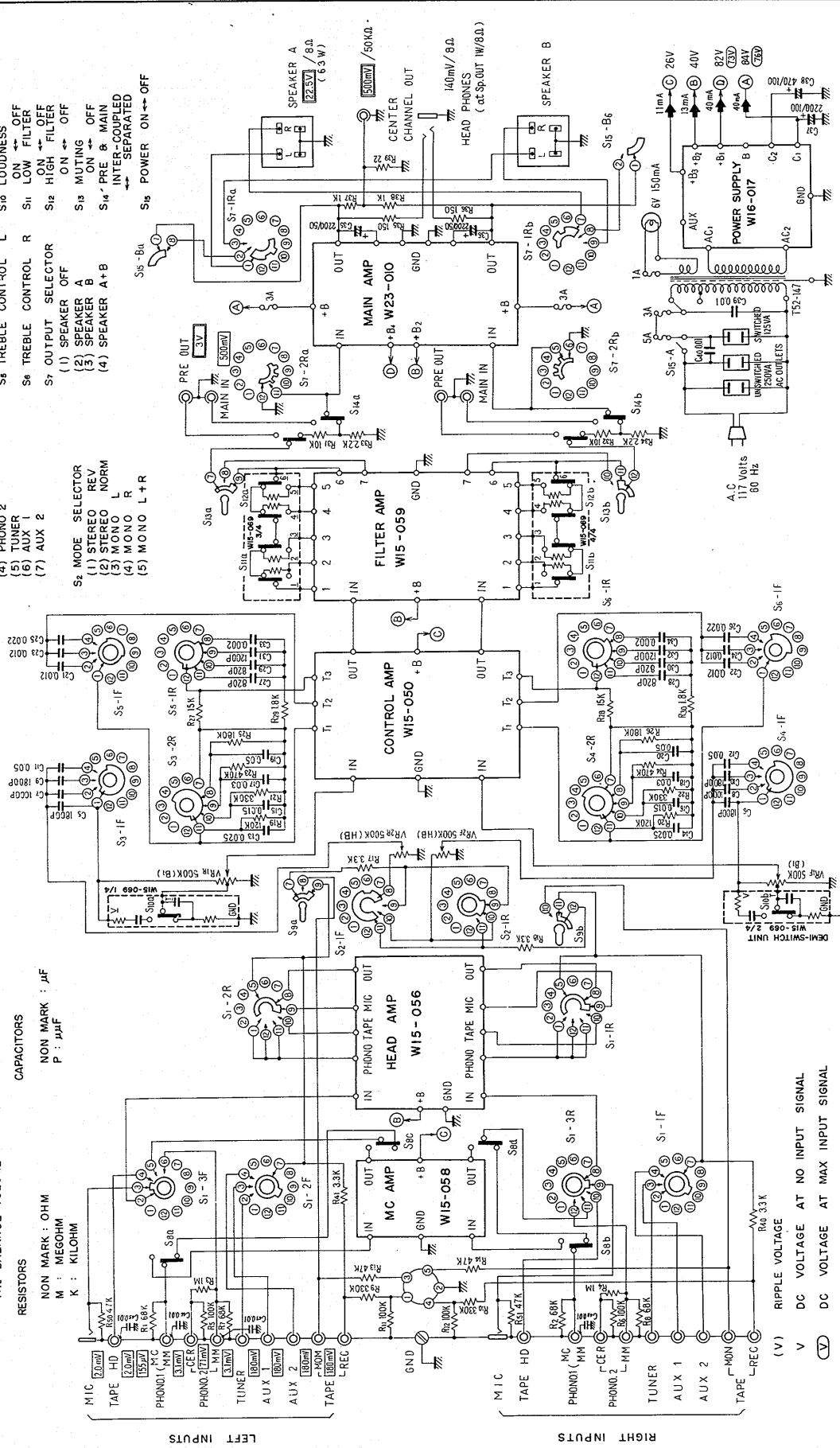
- (V) RIPPLE VOLTAGE
 - V DC VOLTAGE AT NO INPUT SIGNAL
 - ⊖ DC VOLTAGE AT MAX INPUT SIGNAL
 - ⊕ DC CURRENT AT NO INPUT SIGNAL
 - [mV] SIGNAL VOLTAGE AT 63W/8Ω (SPEAKER OUT)
 - [V] OUTPUT VOLTAGE AT MAX INPUT SIGNAL
- ALL VOLTAGE MEASURED WITH V.T.V.M.

SA-900 for KC, KL model

SA - 900

- POTENTIOMETERS**
 VR1 : MAIN VOLUME
 VR2 : BALANCE VOLUME
- RESISTORS**
 NON MARK : OHM
 M : MEGOHM
 K : KILOHM
- CAPACITORS**
 NON MARK : μ F
 P : μ M F

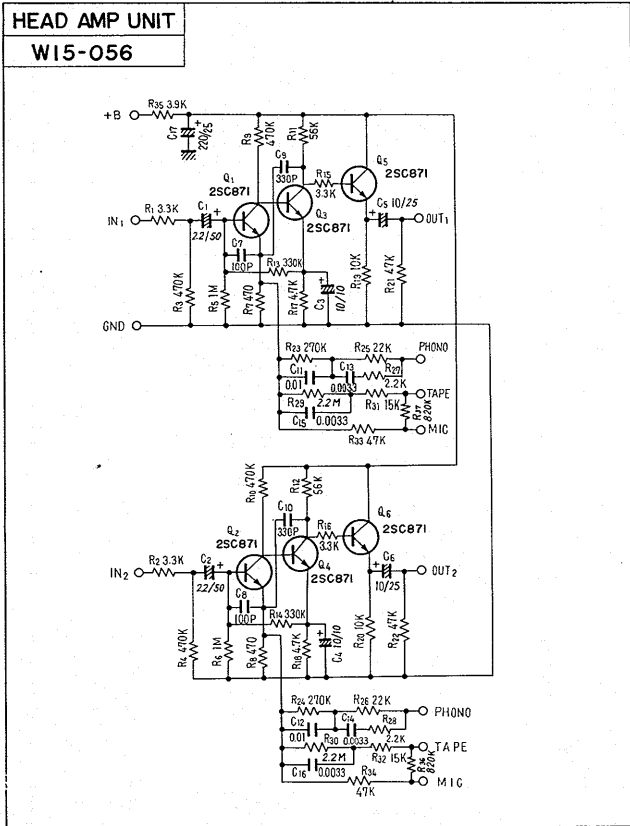
- S1 INPUT SELECTOR**
 (1) MIC
 (2) TAPE HEAD
 (3) PHONO 1
 (4) PHONO 2
 (5) TUNER
 (6) AUX 1
 (7) AUX 2
- S2 MODE SELECTOR**
 (1) STEREO REV
 (2) STEREO NORM
 (3) MONO L
 (4) MONO R
 (5) MONO L+R
- S3 BASS CONTROL L**
S4 BASS CONTROL R
S5 TREBLE CONTROL L
S6 TREBLE CONTROL R
S7 OUTPUT SELECTOR
 (1) SPEAKER OFF
 (2) SPEAKER A
 (3) SPEAKER B
 (4) SPEAKER A+B
- S8 PHONO 1 SELECT**
 M C \leftrightarrow M M
 ON \leftrightarrow OFF
S9 TAPE MON
 ON \leftrightarrow OFF
S10 LOUDNESS
 ON \leftrightarrow OFF
S11 LOW FILTER
 ON \leftrightarrow OFF
S12 HIGH FILTER
 ON \leftrightarrow OFF
S13 MUTE
 ON \leftrightarrow OFF
S14 PRE & MAIN
 INTER-COUPLED
 SEPARATED
S15-BL
 POWER ON \leftrightarrow OFF



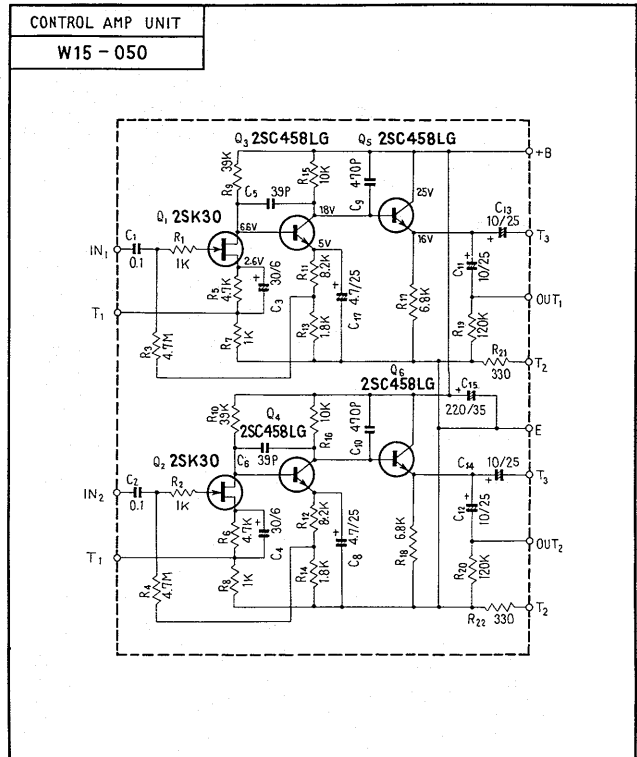
ITEM NO.	VACANT
R1 ~ R51	R1516 R42-49
C1 ~ C44	C11-4 C39, C40, C44

- LEFT INPUTS**
- RIGHT INPUTS**
- (V) RIPPLE VOLTAGE
 V DC VOLTAGE AT NO INPUT SIGNAL
 (V) DC VOLTAGE AT MAX INPUT SIGNAL
 (V) DC CURRENT AT NO INPUT SIGNAL
 [MV] SIGNAL VOLTAGE AT 63 W/8 Ω (SPEAKER OUT)
 [V] OUTPUT VOLTAGE AT MAX INPUT SIGNAL
- ALL VOLTAGE MEASURED WITH V.T.V.M.

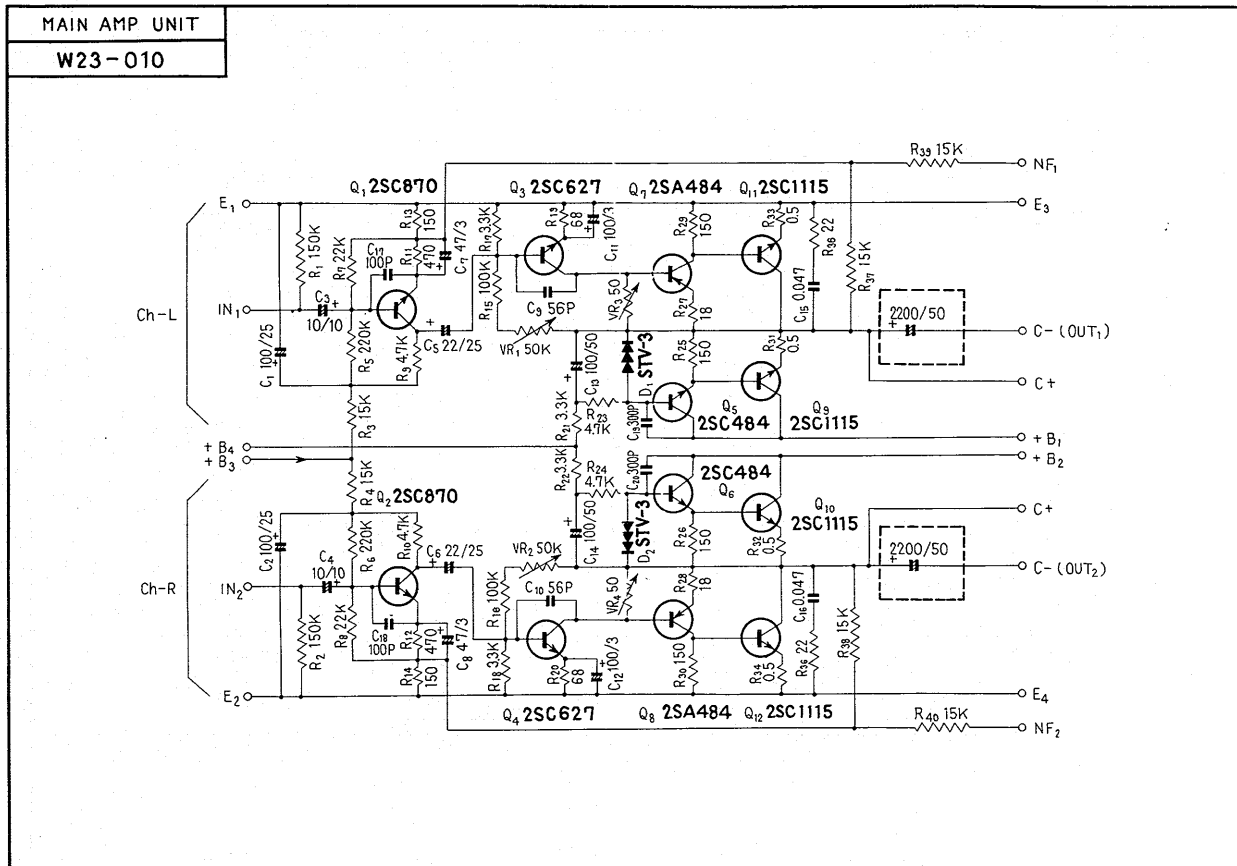
HEAD AMP UNIT



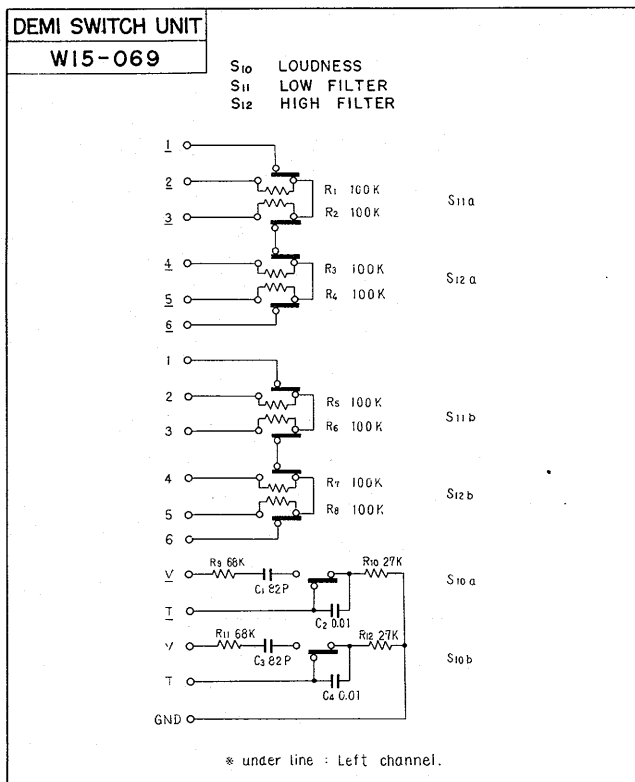
CONTROL AMP UNIT



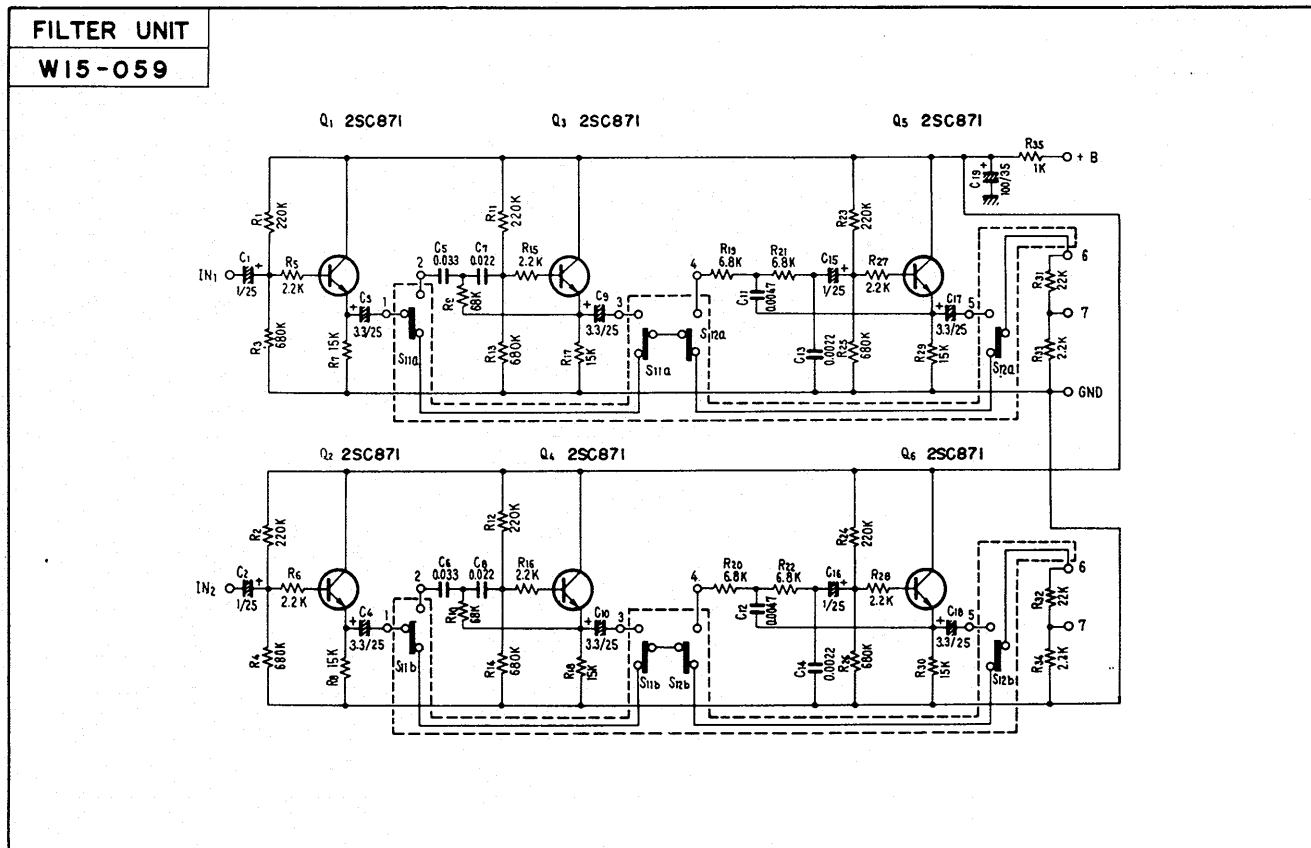
MAIN AMP UNIT



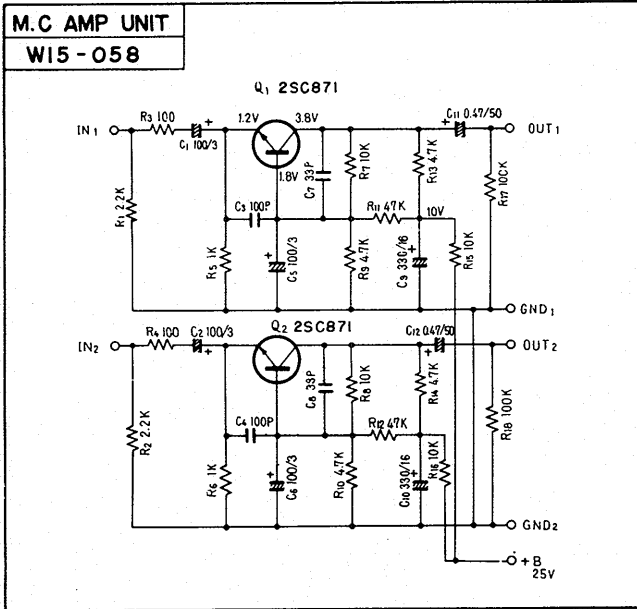
DEMI SWICTH UNIT



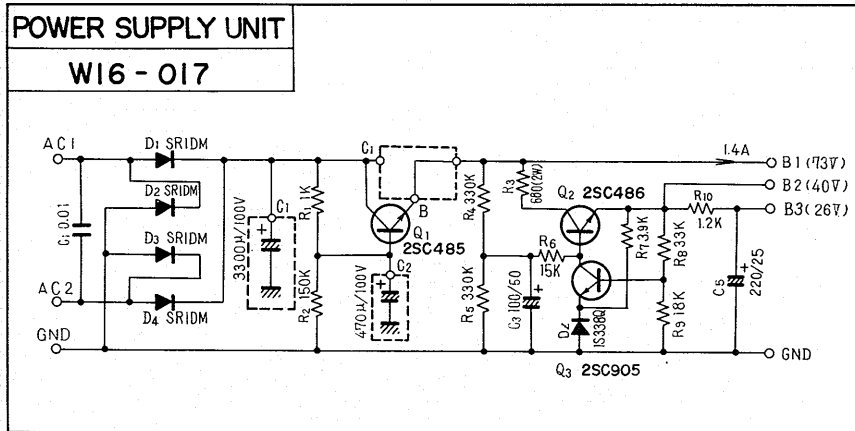
FILTER UNIT



MC AMP UNIT



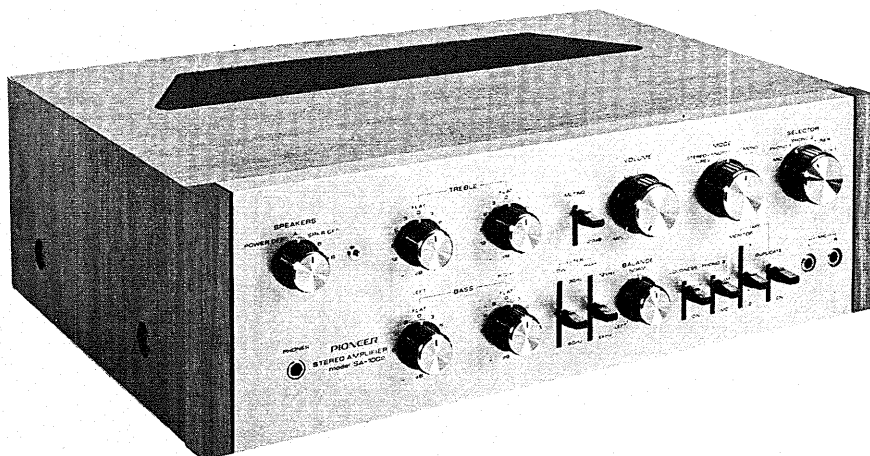
POWER SUPPLY UNIT

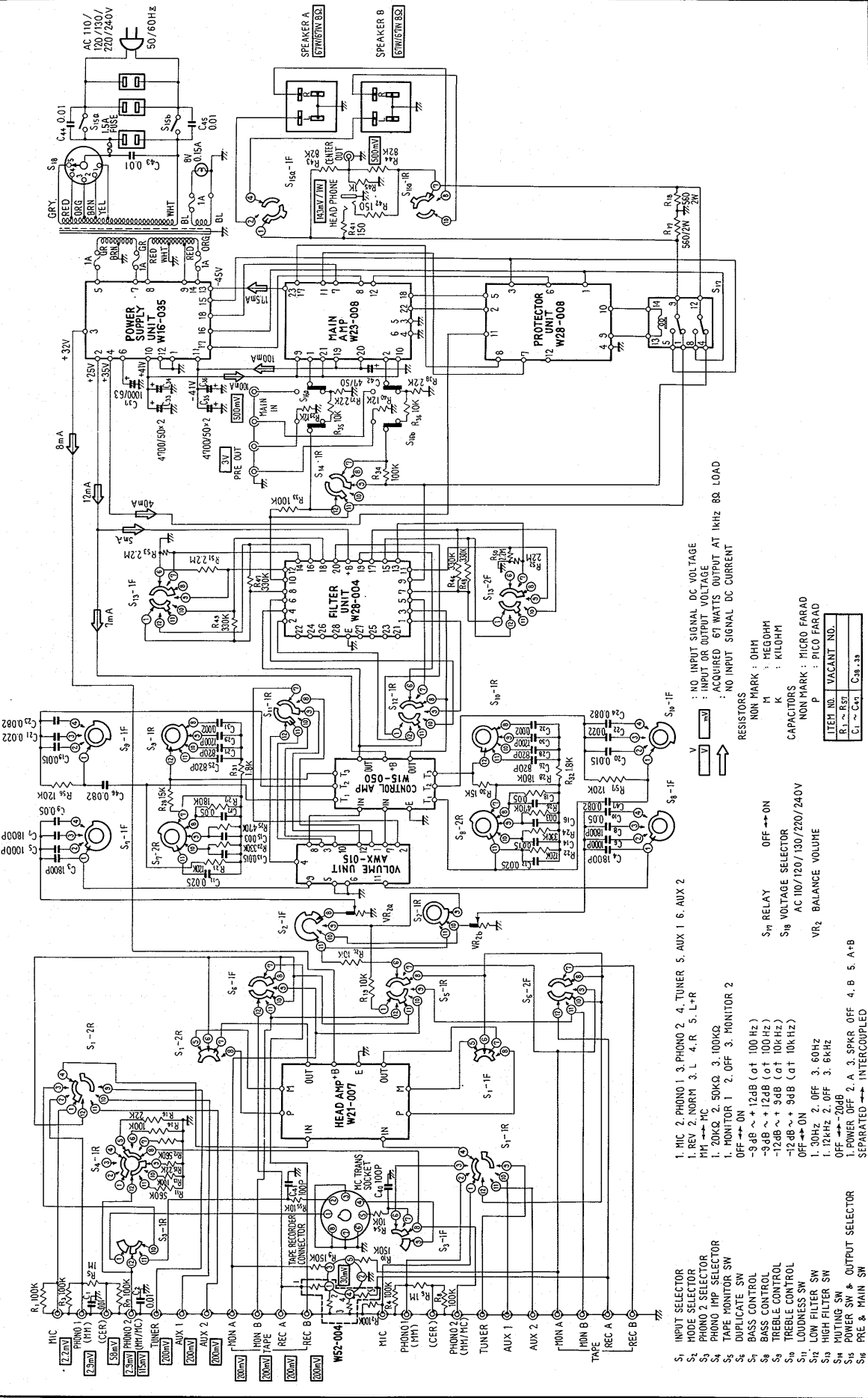


STEREO AMPLIFIER

SA-1000

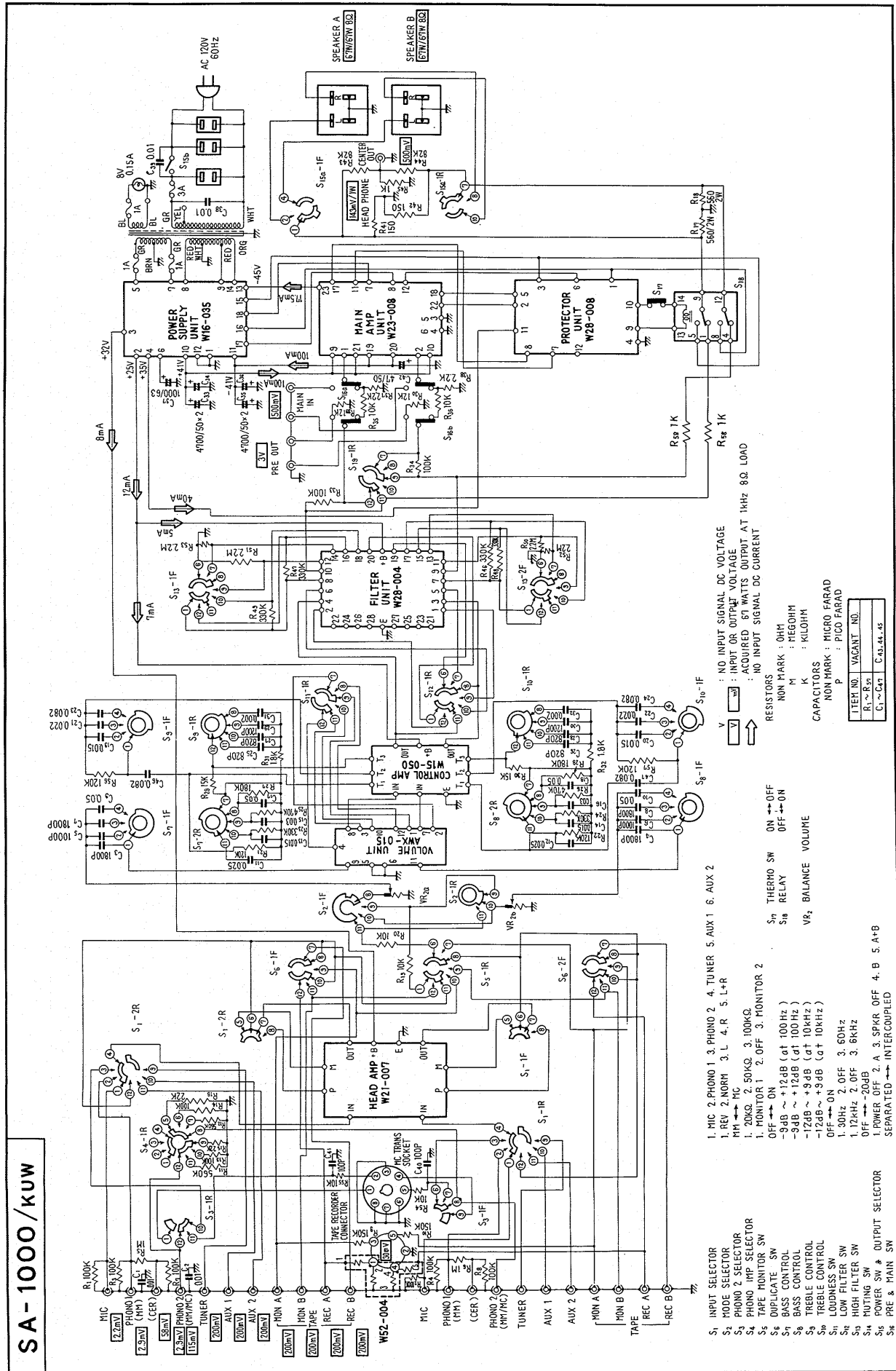
UNIT	ROUND LABEL	FVW	KUW				
TUNER UNIT							
FM FRONT END							
FM IF UNIT							
MPX UNIT							
AM TUNER UNIT							
MUTING UNIT							
HEAD AMP UNIT		W21-007	W21-007				
CONTROL AMP UNIT		W15-050	W15-050				
MAIN AMP UNIT		W23-008	W23-008				
POWER SUPPLY UNIT		W16-035	W16-035				
SWITCH UNIT							
SWITCH UNIT							
FILTER UNIT		W28-004	W28-004				
TONE COLOR UNIT							
VR UNIT		AWX-015	AWX-015				
MIC AMP UNIT							
REVERBE AMP UNIT							
REVERBE UNIT							
PROTECTOR UNIT		W28-008	W28-008				





1. MIC 2. PHONO 3. PHONO 2 4. TUNER 5. AUX 1 6. MIX 2
 1. REV 2. NORM 3. L 4. R 5. L+R
 PH → MC
 S₁ PHONO IMP SELECTOR
 S₂ TAPE MONITOR SW
 S₃ DUPLICATE SW
 S₄ BASS CONTROL
 S₅ TREBLE CONTROL
 S₆ TREBLE CONTROL
 S₇ LOUDNESS SW
 S₈ LOW FILTER SW
 S₉ HIGH FILTER SW
 S₁₀ MUTING SW
 S₁₁ POWER SW 2 A, 3. SPKR OFF 4, B 5. A+B
 S₁₂ PRE & MAIN SW
1. MONITOR 1 2. OFF 3. MONITOR 2
 OFF → ON
 -9.4B ~ +124B (of 100 Hz)
 -9.4B ~ +124B (of 100 Hz)
 -12.4B ~ +9.4B (of 10k Hz)
 -12.4B ~ +9.4B (of 10k Hz)
 OFF → ON
 1. 204Hz 2. OFF 3. 60Hz
 1. 124Hz 2. OFF 3. 6kHz
 OFF → ON
 1. POWER OFF 2. A, 3. SPKR OFF 4, B 5. A+B
 SEPARATED ↔ INTERCOUPLED
- V → V : NO INPUT SIGNAL DC VOLTAGE
 V → V : INPUT OR OUTPUT VOLTAGE
 V → V : ACQUIRED 67 WATTS OUTPUT AT 1kHz 8Ω LOAD
 V → V : NO INPUT SIGNAL DC CURRENT
- RESISTORS
 NON MARK : OHM
 K : KILOHM
 M : MEGOHM
- CAPACITORS
 NON MARK : MICRO FARAD
 P : PICO FARAD
- | ITEM NO | VACANT NO |
|----------|-----------|
| R. ~ R57 | |
| C. ~ C31 | C38 - 35 |
- S₁₆ RELAY OFF → ON
 S₁₈ VOLTAGE SELECTOR AC 110/120/130/220/240V
 VR₂ BALANCE VOLUME

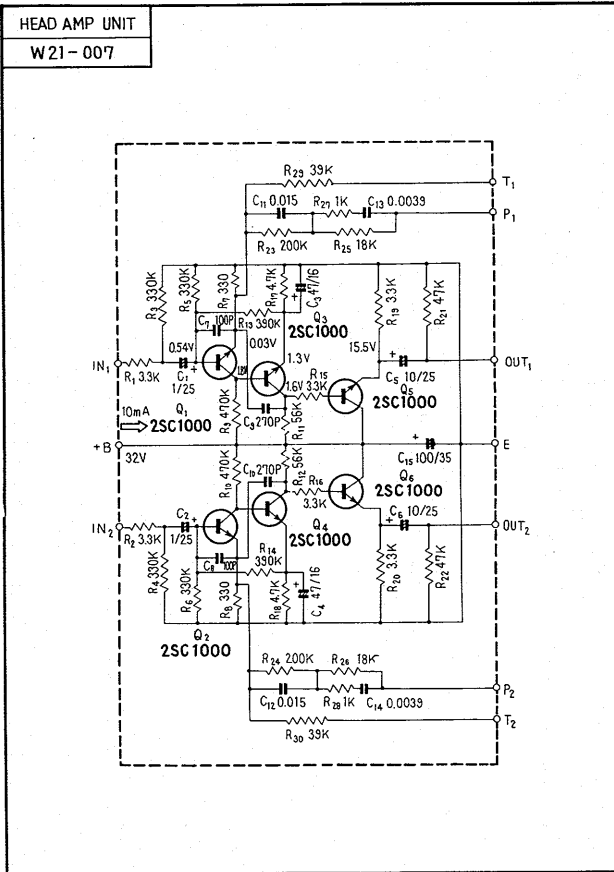
SA-1000 for KUW model



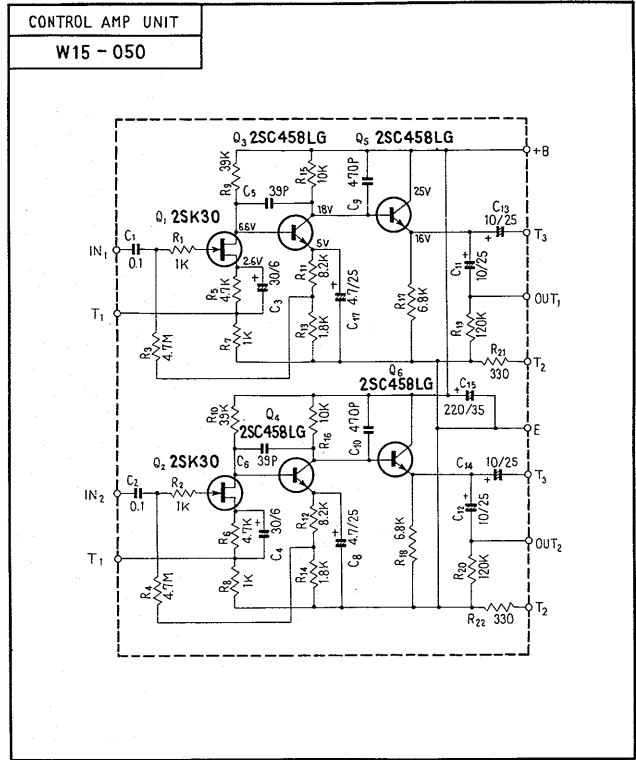
SA-1000/KUW

- S1 INPUT SELECTOR
 S2 MODE SELECTOR
 S3 PHONO 2 SELECTOR
 S4 PHONO 1MP SELECTOR
 S5 TAPE MONITOR SW
 S6 DUPLICATE SW
 S7 BASS CONTROL
 S8 BASS CONTROL
 S9 TREBLE CONTROL
 S10 TREBLE CONTROL
 S11 LOUDNESS SW
 S12 LOW FILTER SW
 S13 HIGH FILTER SW
 S14 MUTING SW
 S15 POWER SW & OUTPUT SELECTOR
 S16 PRE & MAIN SW
1. MIC 2. PHONO 1 3. PHONO 2 4. TUNER 5. AUX 1 6. AUX 2
 1. REV 2. NORM 3. L 4. R 5. L+R
 MM MC
 1. 20KΩ 2. 50KΩ 3. 100KΩ
 1. MONITOR 1 2. OFF 3. MONITOR 2
 OFF → ON
 -9dB ~ +12dB (at 100Hz)
 -3dB ~ +12dB (at 100Hz)
 -12dB ~ +9dB (at 10kHz)
 12dB ~ +9dB (at 10kHz)
 OFF → ON
 1. 30Hz 2. OFF 3. 60Hz
 1. 12kHz 2. OFF 3. 6kHz
 OFF → ON
 1. POWER OFF 2. A 3. SPKR OFF 4. B 5. A+B
 SEPARATED → INTERCOUPLED
- V : NO INPUT SIGNAL DC VOLTAGE
 V : INPUT OR OUTPUT VOLTAGE
 V : ACQUIRED 60 WATTS OUTPUT AT 1kHz 8Ω LOAD
 V : NO INPUT SIGNAL DC CURRENT
- RESISTORS : OHM
 NON MARK : MEGOHM
 M : KILOHM
 K : MICRO FARAD
 CAPACITORS : PICO FARAD
 NON MARK : MICRO FARAD
 P : PICO FARAD
- | | | |
|-----------|--------|-------------|
| TECH. NO. | VACANT | NO. |
| R1 ~ R45 | | C1 ~ C22 |
| C1 ~ C22 | | C43, 44, 45 |

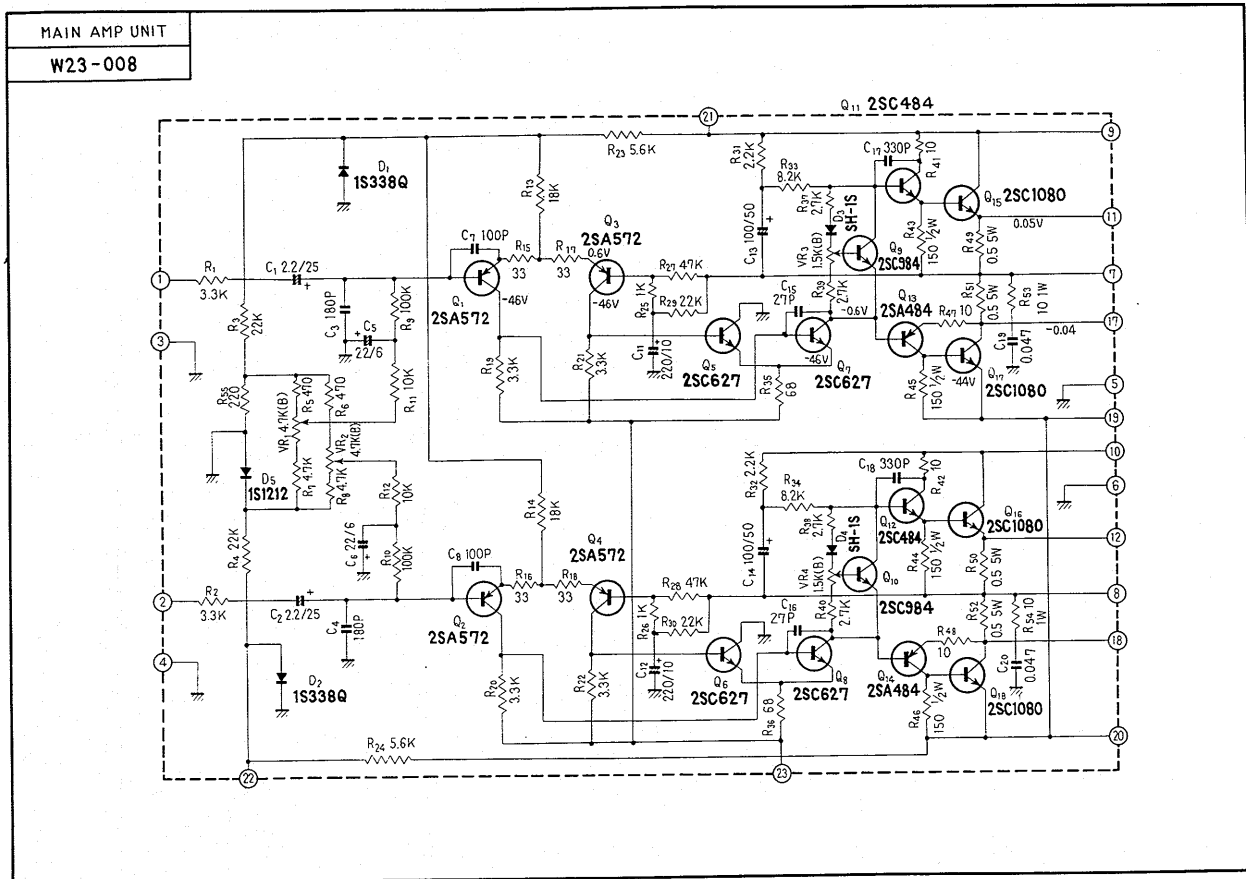
HEAD AMP UNIT



CONTROL AMP UNIT

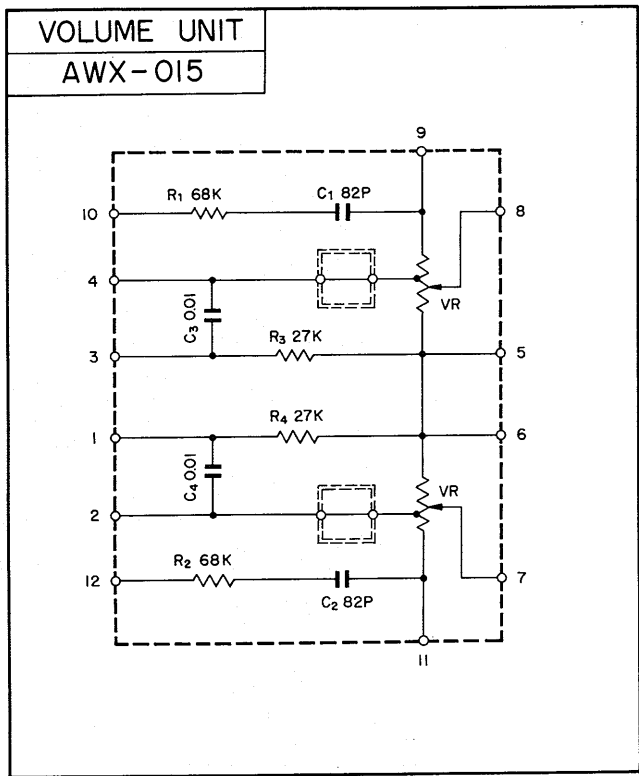
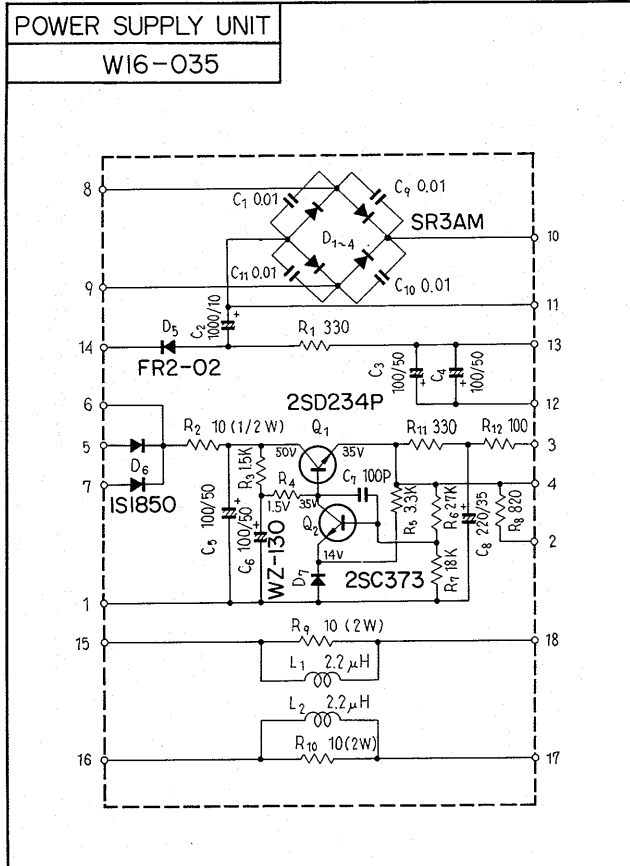


MAIN AMP UNIT

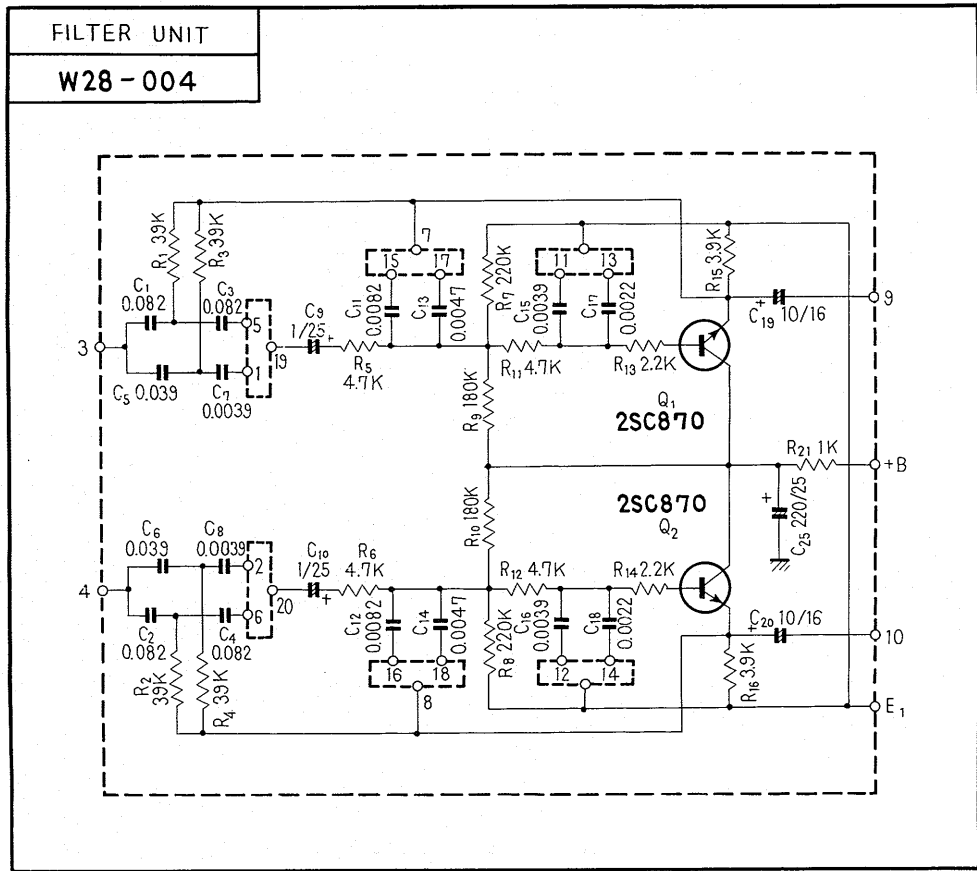


POWER SUPPLY UNIT

VOLUME UNIT

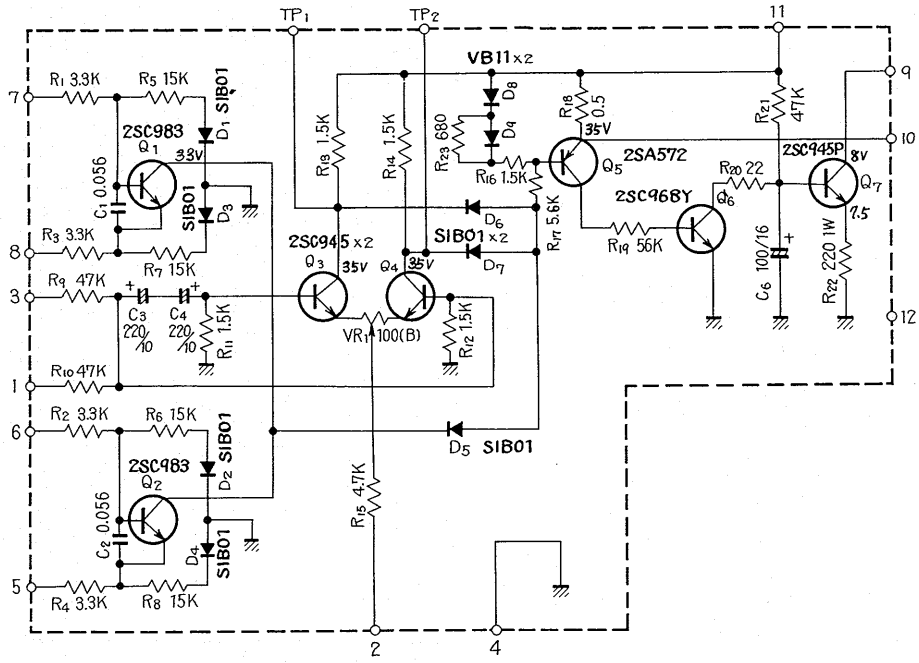


FILTER UNIT



PROTECTOR UNIT

PROTECTOR UNIT
W28-008

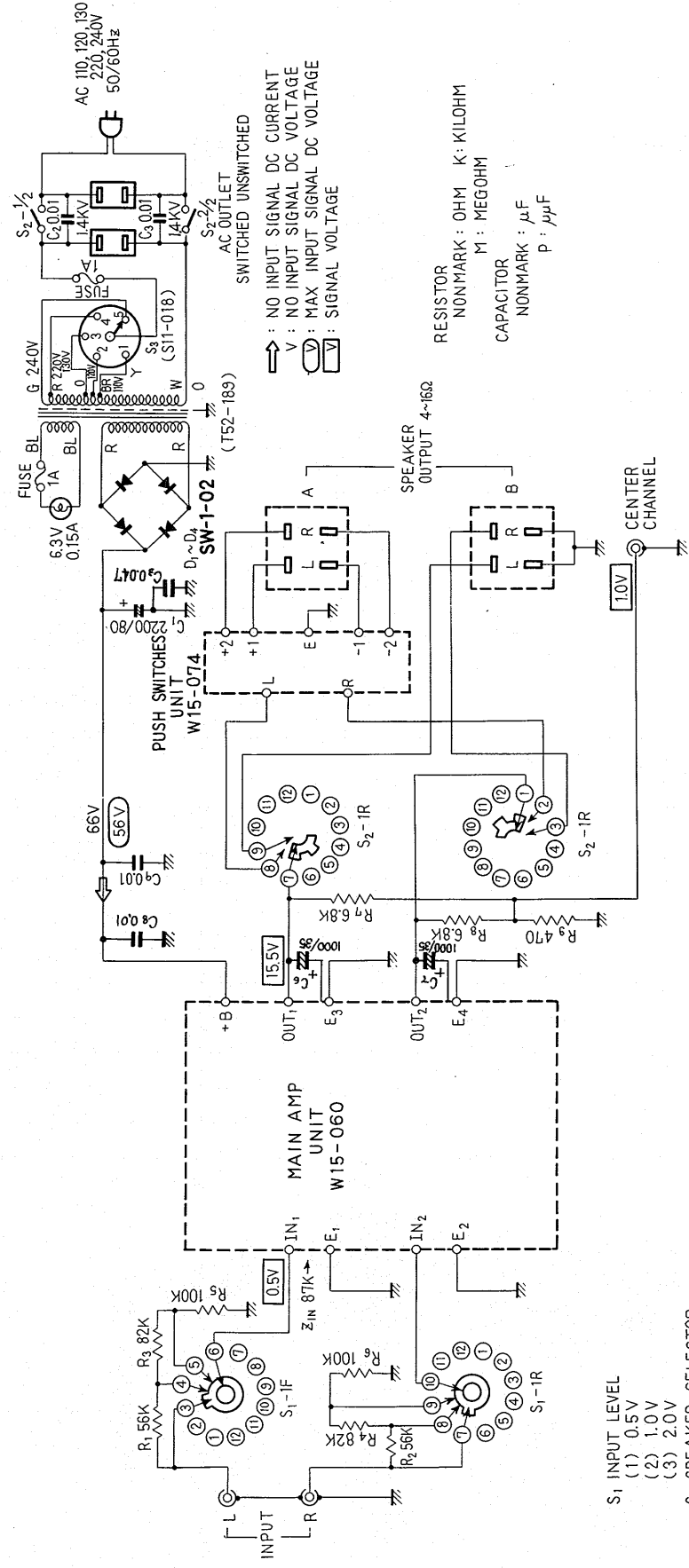


STEREO POWER AMPLIFIER SM-700

ROUND LABEL UNIT	FV	KL				
FM FRONT END						
FM IF UNIT						
MPX UNIT						
AM TUNER UNIT						
MUTING UNIT						
HEAD AMP UNIT						
CONTROL AMP UNIT						
MAIN AMP UNIT	W15-060	W15-060				
POWER SUPPLY UNIT						
PUSH SWITCH UNIT	W15-074	W15-074				
SWITCH UNIT						
SWITCH UNIT						
TONE COLOR UNIT						
CONTROL UNIT						
MIC AMP UNIT						
REVERBE AMP UNIT						
REVERBE UNIT						



SM-700



AC OUTLET
SWITCHED UNSWITCHED

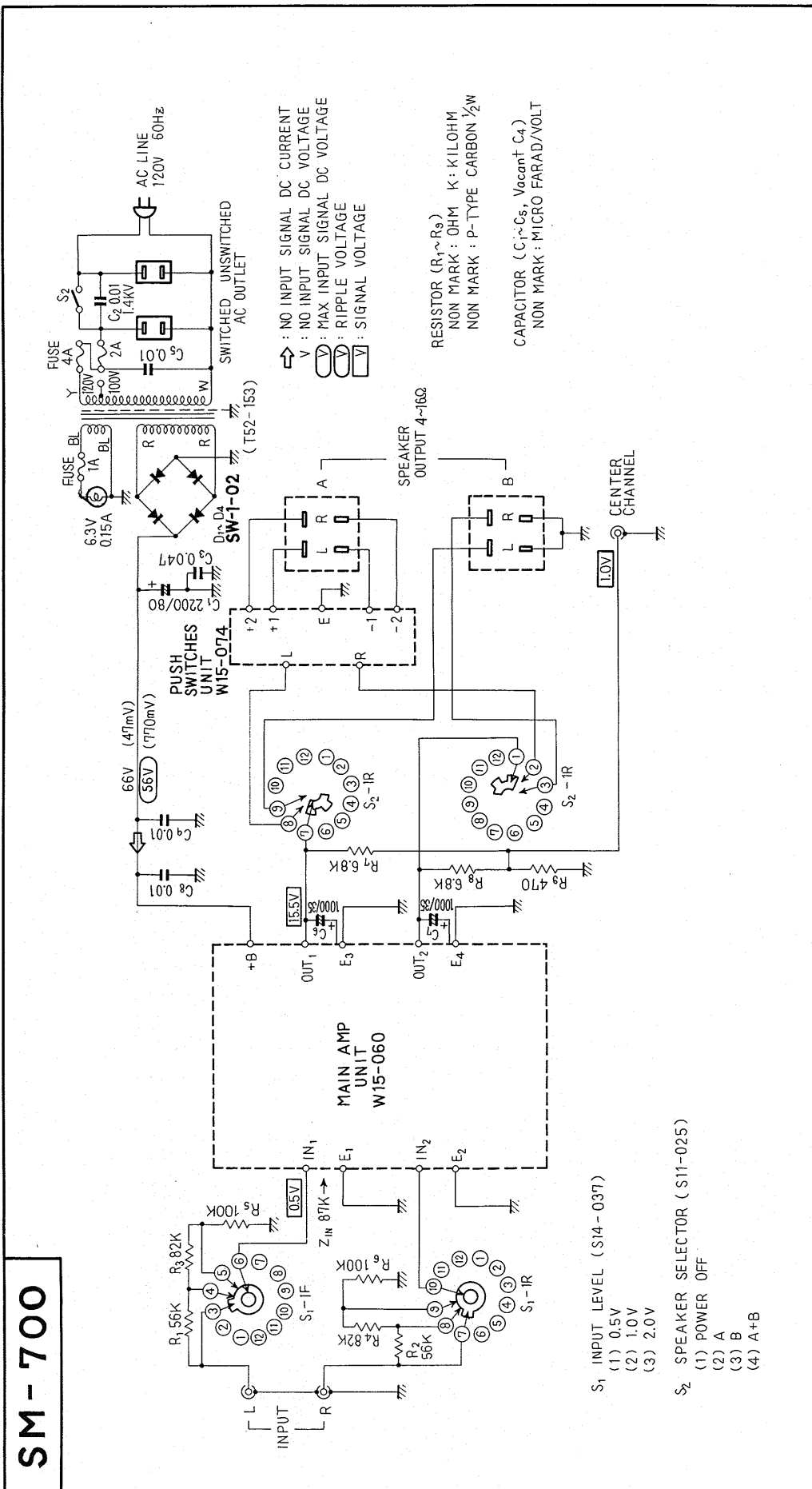
↑ : NO INPUT SIGNAL DC CURRENT
V : NO INPUT SIGNAL DC VOLTAGE
V : MAX INPUT SIGNAL DC VOLTAGE
V : SIGNAL VOLTAGE

RESISTOR
NONMARK : OHM K : KILOHM
M : MEGOHM

CAPACITOR
NONMARK : μF
P : μμF

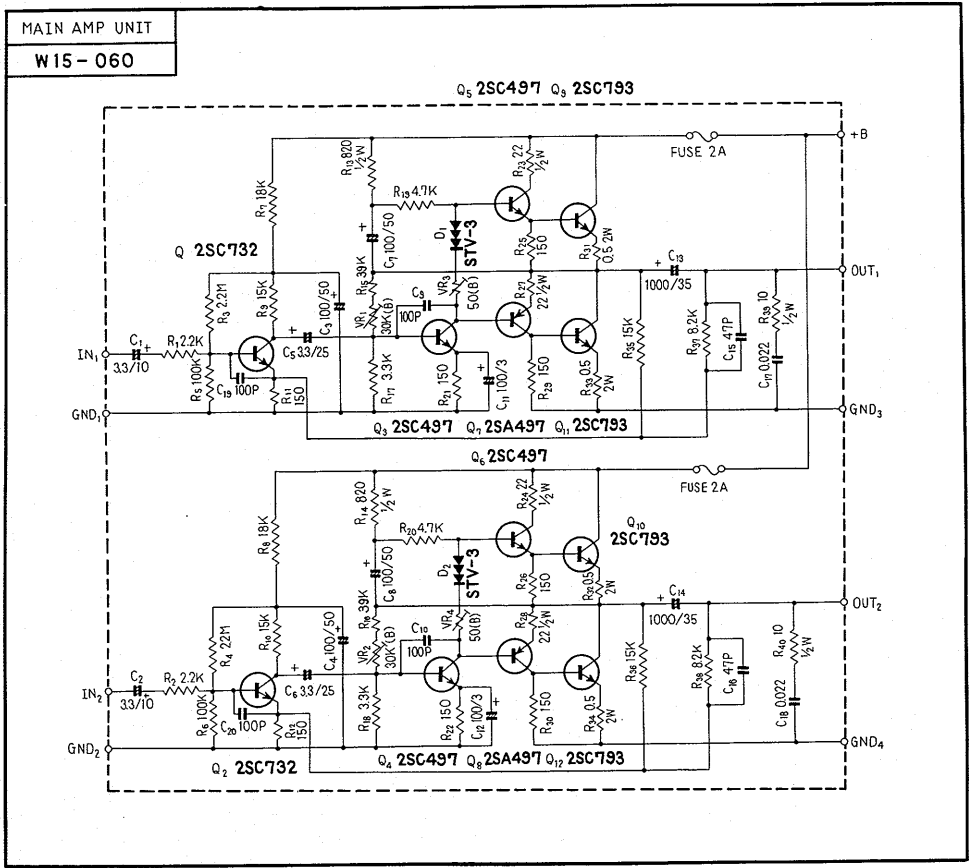
- S₁ INPUT LEVEL
(1) 0.5V
(2) 1.0V
(3) 2.0V
- S₂ SPEAKER SELECTOR
(1) POWER OFF
(2) A
(3) B
(4) A+B
- S₃ AC VOLTAGE SELECTOR

SM-700 for KL model

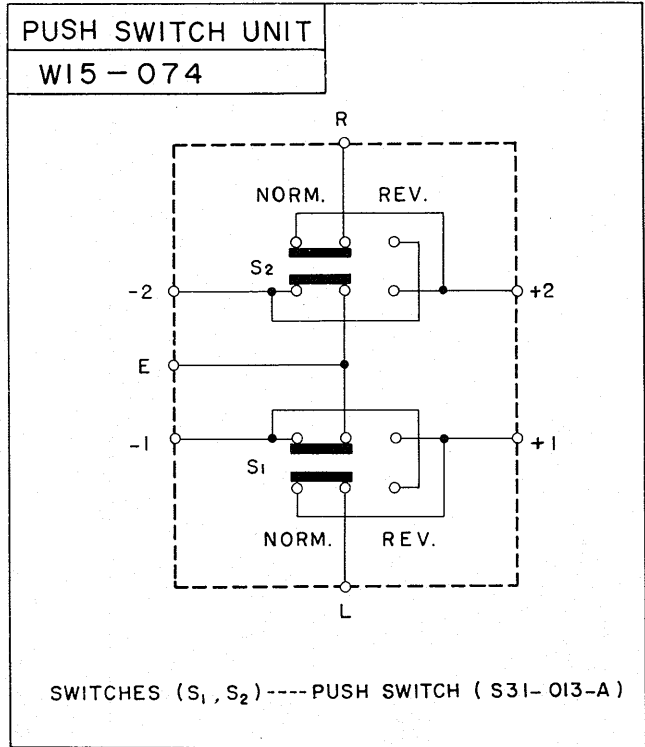


SM-700

MAIN AMP UNIT

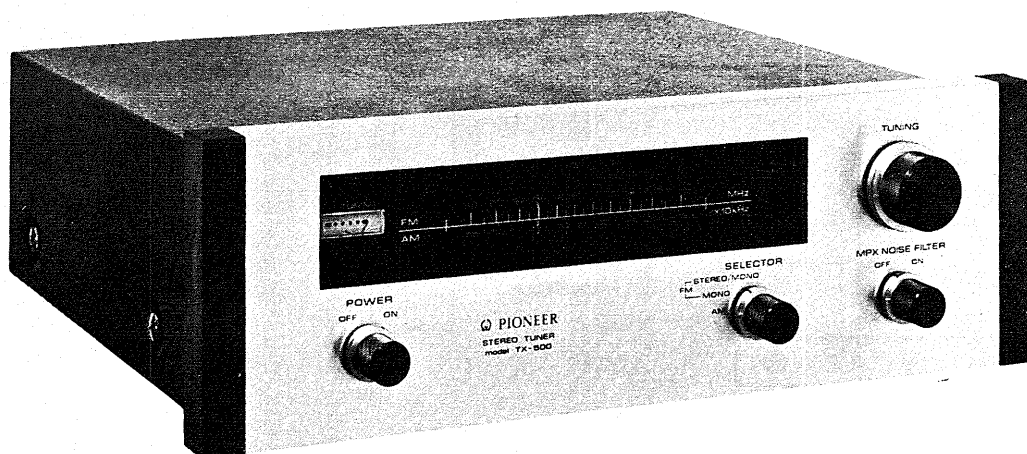


PUSH SWITCH UNIT



AM/FM STEREO TUNER TX-500

UNIT \ ROUND LABEL	FSA	FV	FVZ	KC	KL	
TUNER UNIT	W35-018	W35-027	AWE-004	W35-027	W35-027	
FM FRONT END						
FM IF UNIT						
MPX UNIT						
AM TUNER UNIT						
MUTING UNIT						
AF UNIT	W15-071	W15-071	W15-071	W15-071	W15-071	
CONTROL AMP UNIT						
MAIN AMP UNIT						
POWER SUPPLY UNIT						
SWITCH UNIT						
SWITCH UNIT						
SWITCH UNIT						
TONE COLOR UNIT						
CONTROL UNIT						
MIC AMP UNIT						
REVERBE AMP UNIT						
REVERBE UNIT						



TX-500 FSA

S₁ INPUT SELECTOR

(1) AM
(2) FM MONO
(3) FM STEREO

S₂ POWER SWITCH

ON-OFF
MPX NOISE FILTER SWITCH
ON-OFF

S₃ LINE VOLTAGE SELECTOR

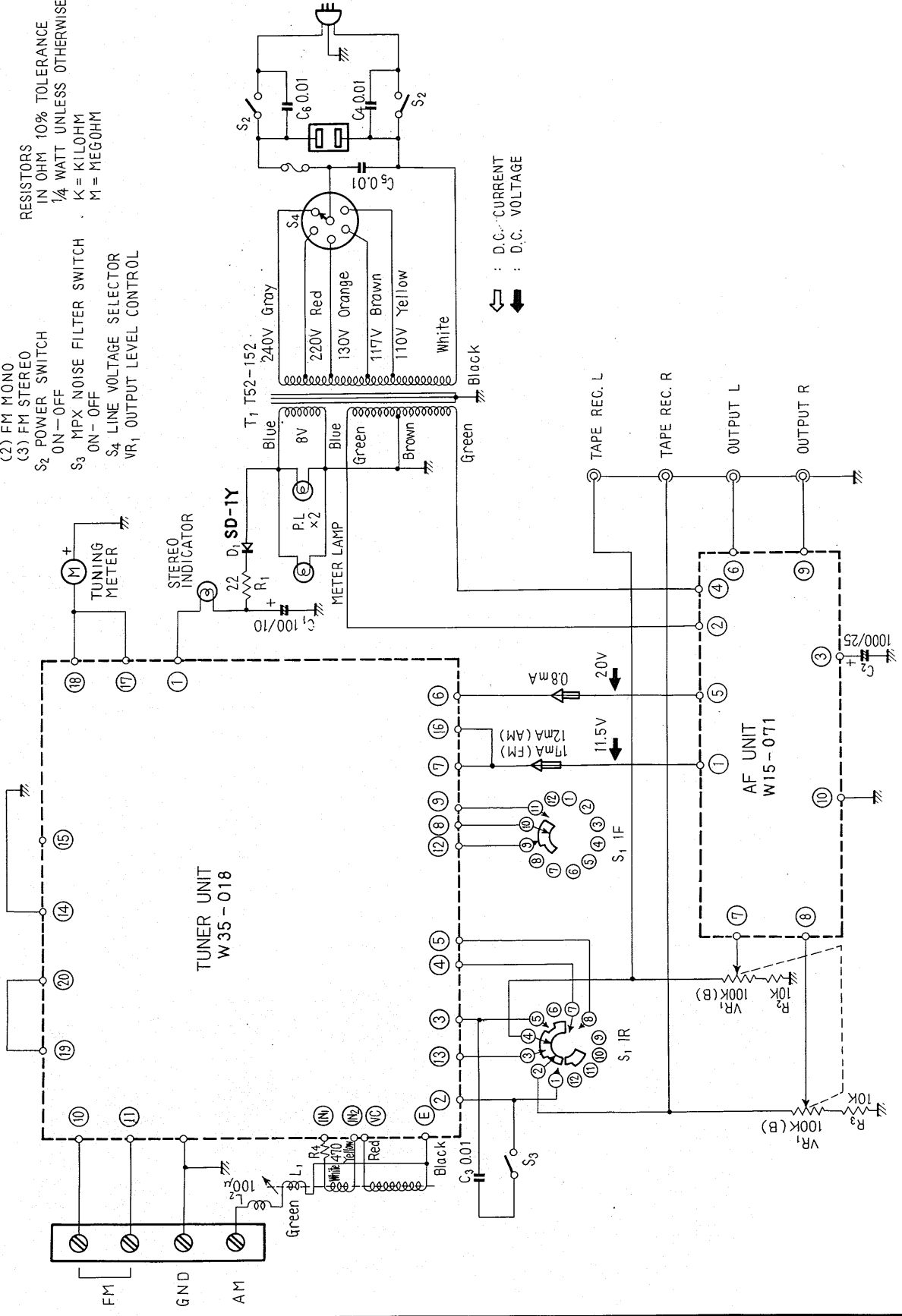
VR₁ OUTPUT LEVEL CONTROL

CAPACITORS

IN μ F UNLESS OTHERWISE NOTED

RESISTORS

IN OHM 10% TOLERANCE
1/4 WATT UNLESS OTHERWISE NOTED
K = KILOHM
M = MEGOHM

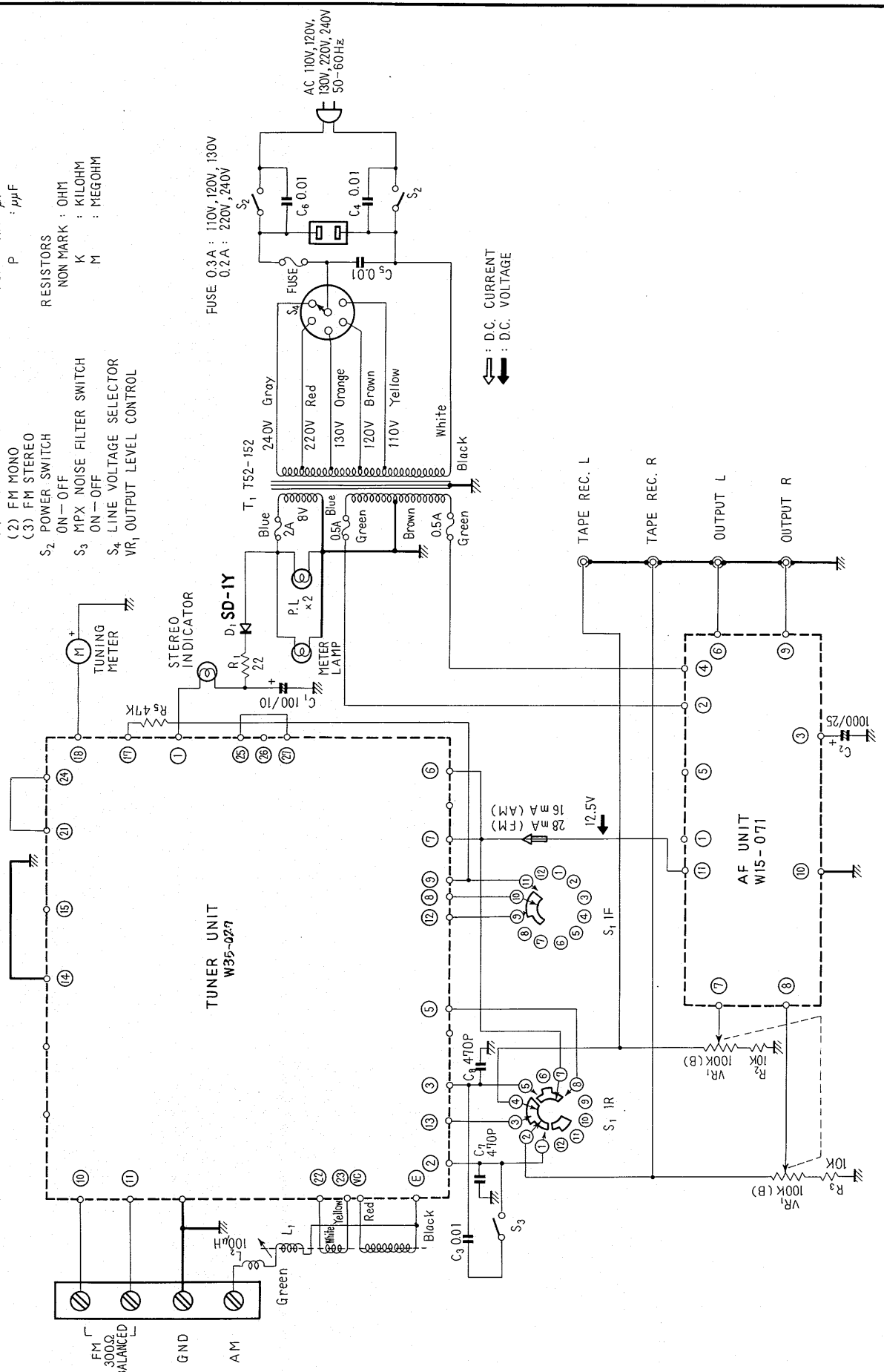


⇐ : D.C. CURRENT
⇨ : D.C. VOLTAGE

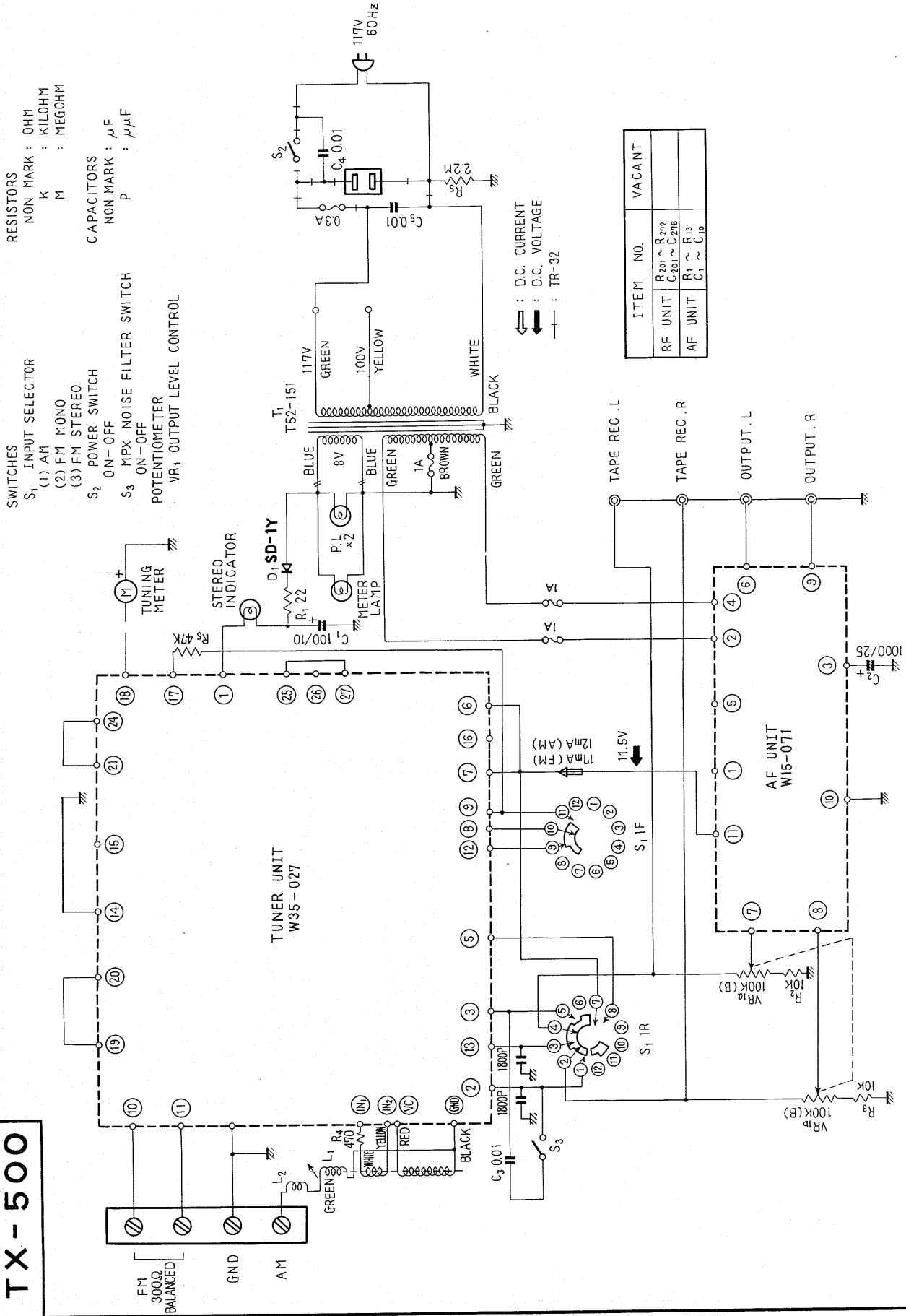
TX-500 for FV model

TX-500

- S₁ INPUT SELECTOR**
 (1) AM
 (2) FM MONO
 (3) FM STEREO
- S₂ POWER SWITCH**
 ON-OFF
- S₃ MPX NOISE FILTER SWITCH**
 ON-OFF
- S₄ LINE VOLTAGE SELECTOR**
 VR₁ OUTPUT LEVEL CONTROL
- CAPACITORS**
 NON MARK : μ F
 P : μ μ F
- RESISTORS**
 NON MARK : OHM
 K : KILOHM
 M : MEGOHM



TX-500



TX-500 for FVZ model

TX-500

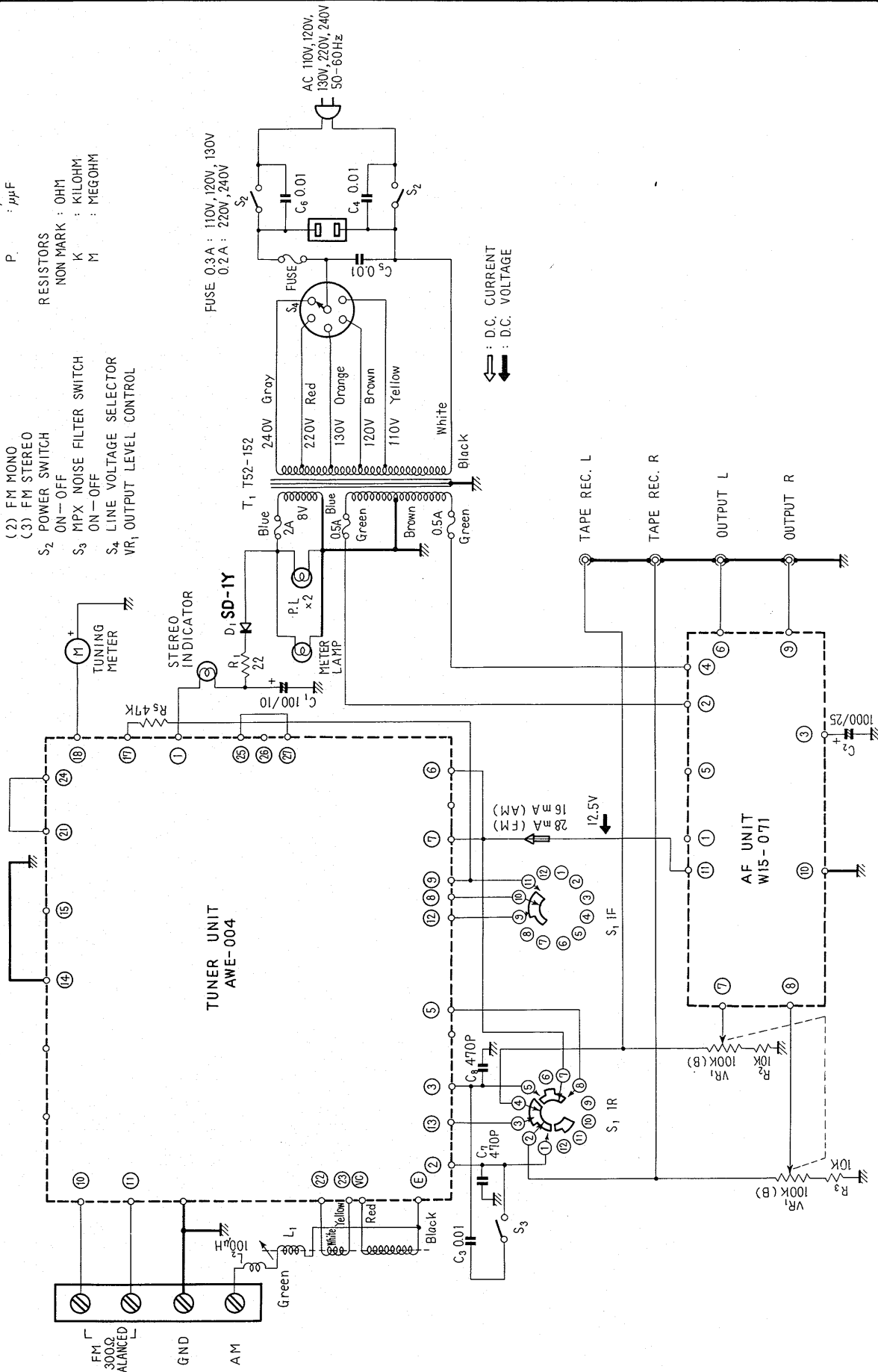
S₁ INPUT SELECTOR

- (1) AM
- (2) FM MONO
- (3) FM STEREO

- S₂ POWER SWITCH
- S₃ MPX NOISE FILTER SWITCH
- S₄ LINE VOLTAGE SELECTOR
- VR₁ OUTPUT LEVEL CONTROL

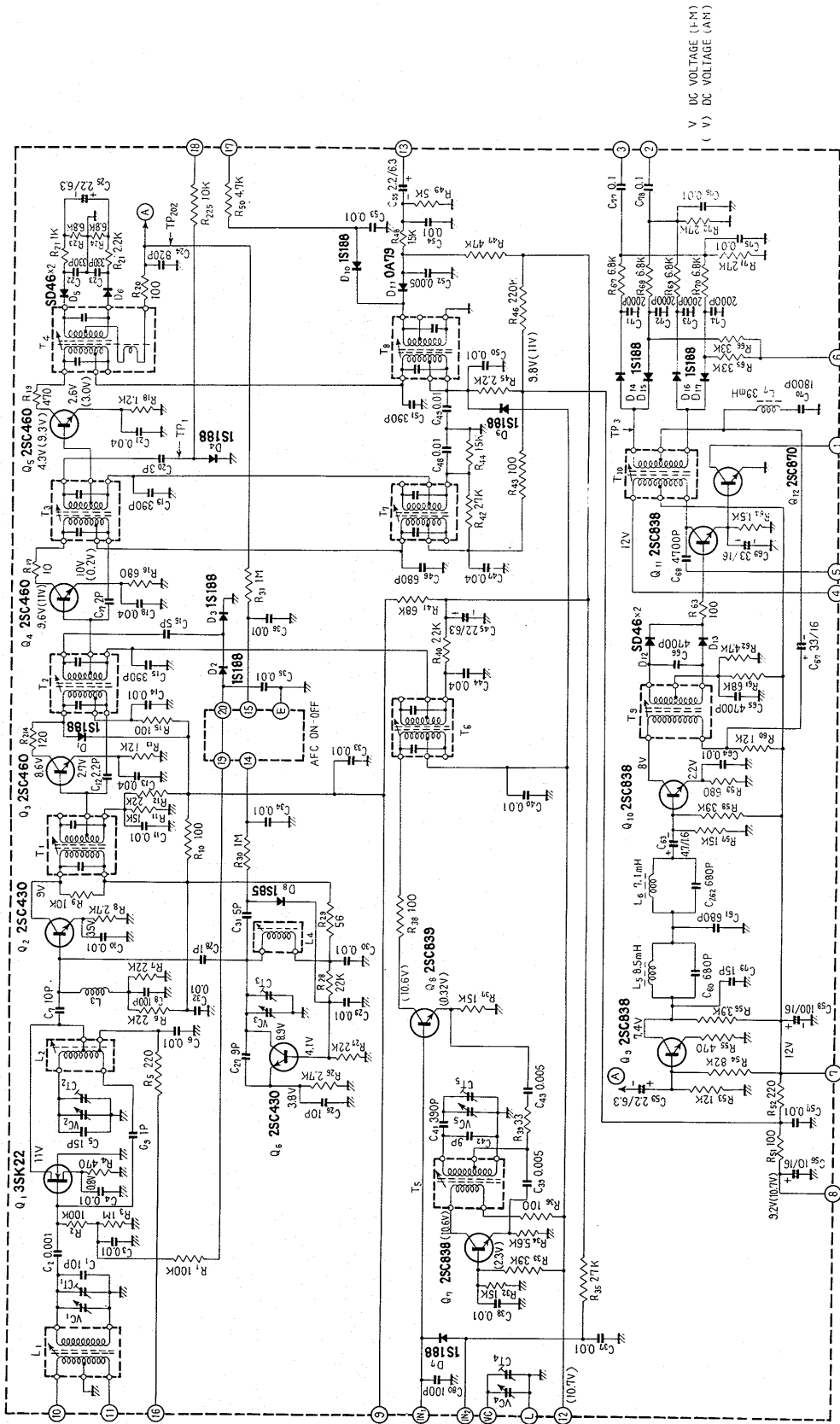
CAPACITORS
NON MARK : μF
P : μF

RESISTORS
NON MARK : OHM
K : KILOHM
M : MEGOHM



TUNER UNIT for FSA model

TUNER UNIT
W35-018

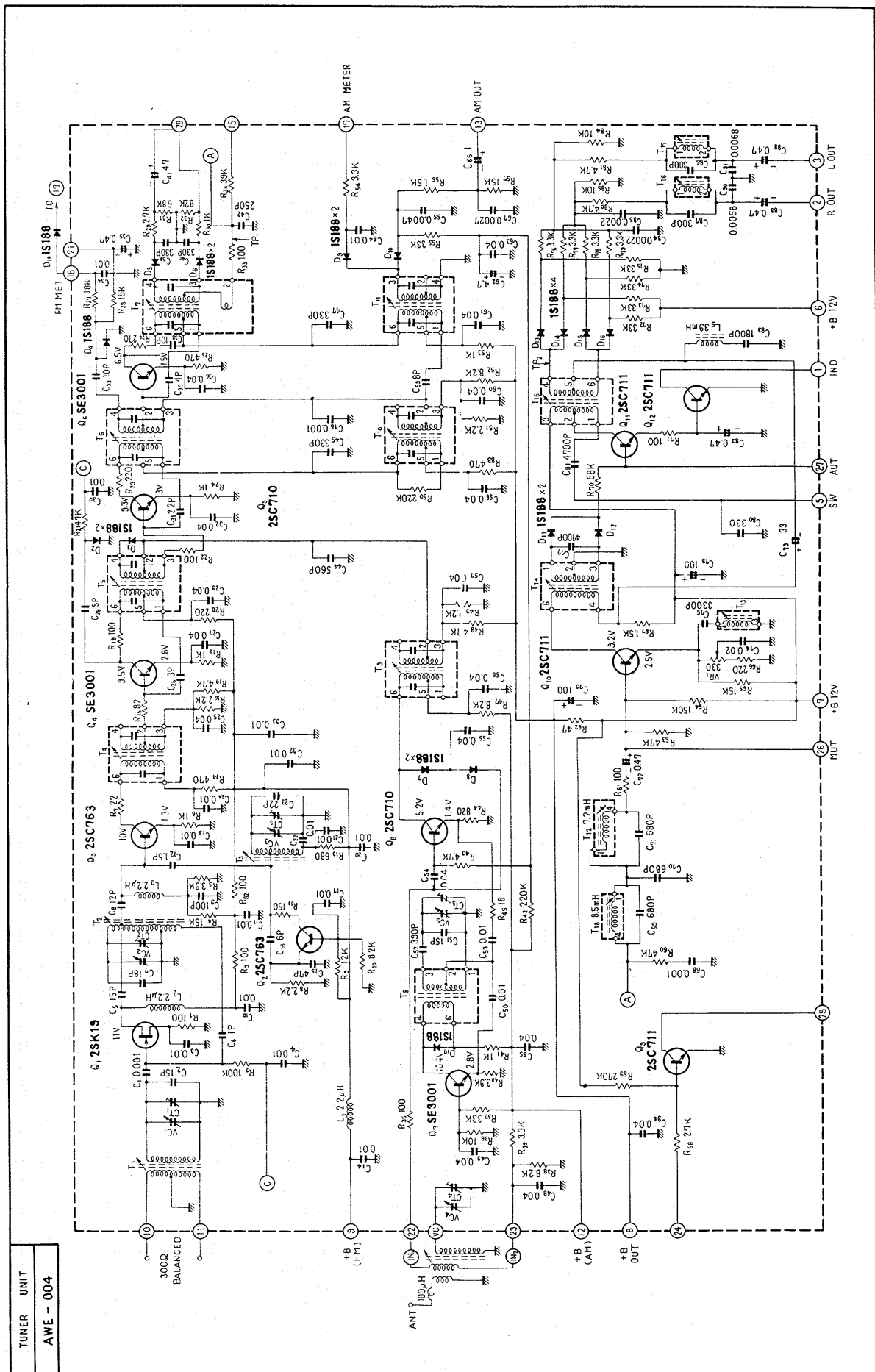


RESISTORS
IN OHM 10% TOLERANCE
1/4 WATT CARBON UNLESS OTHERWISE NOTED
K KILOHM
M MEGOHM

CAPACITORS
IN μF UNLESS OTHERWISE NOTED
P: μμF NONMARK CERAMIC

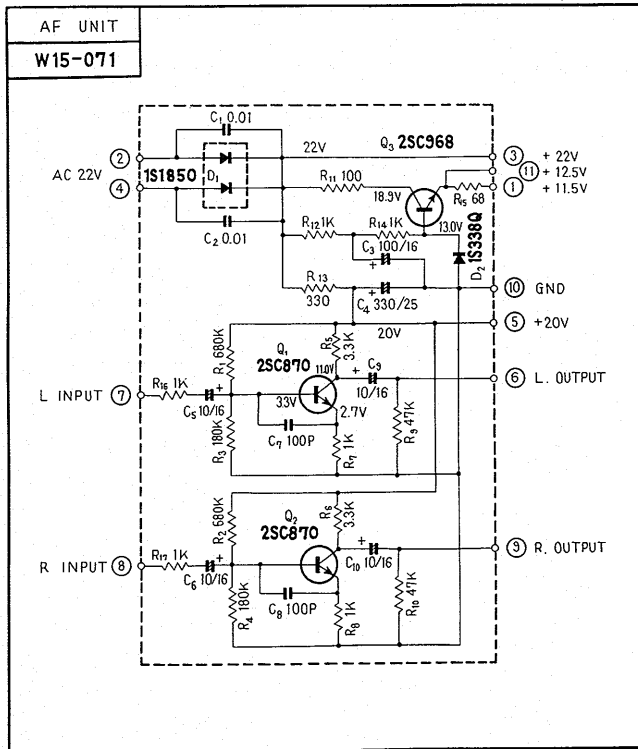
V DC VOLTAGE (I-P-M)
() V DC VOLTAGE (A-M)

TUNER UNIT for FVZ model



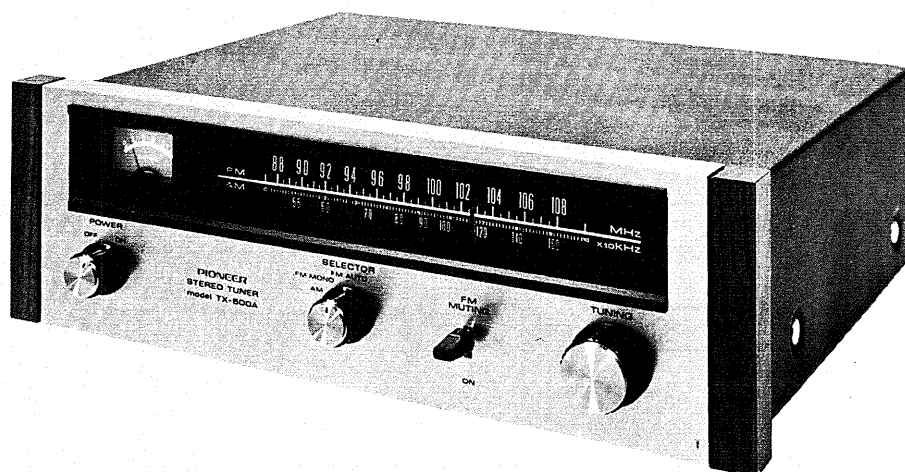
TUNER UNIT
AWE - 004

AF UNIT

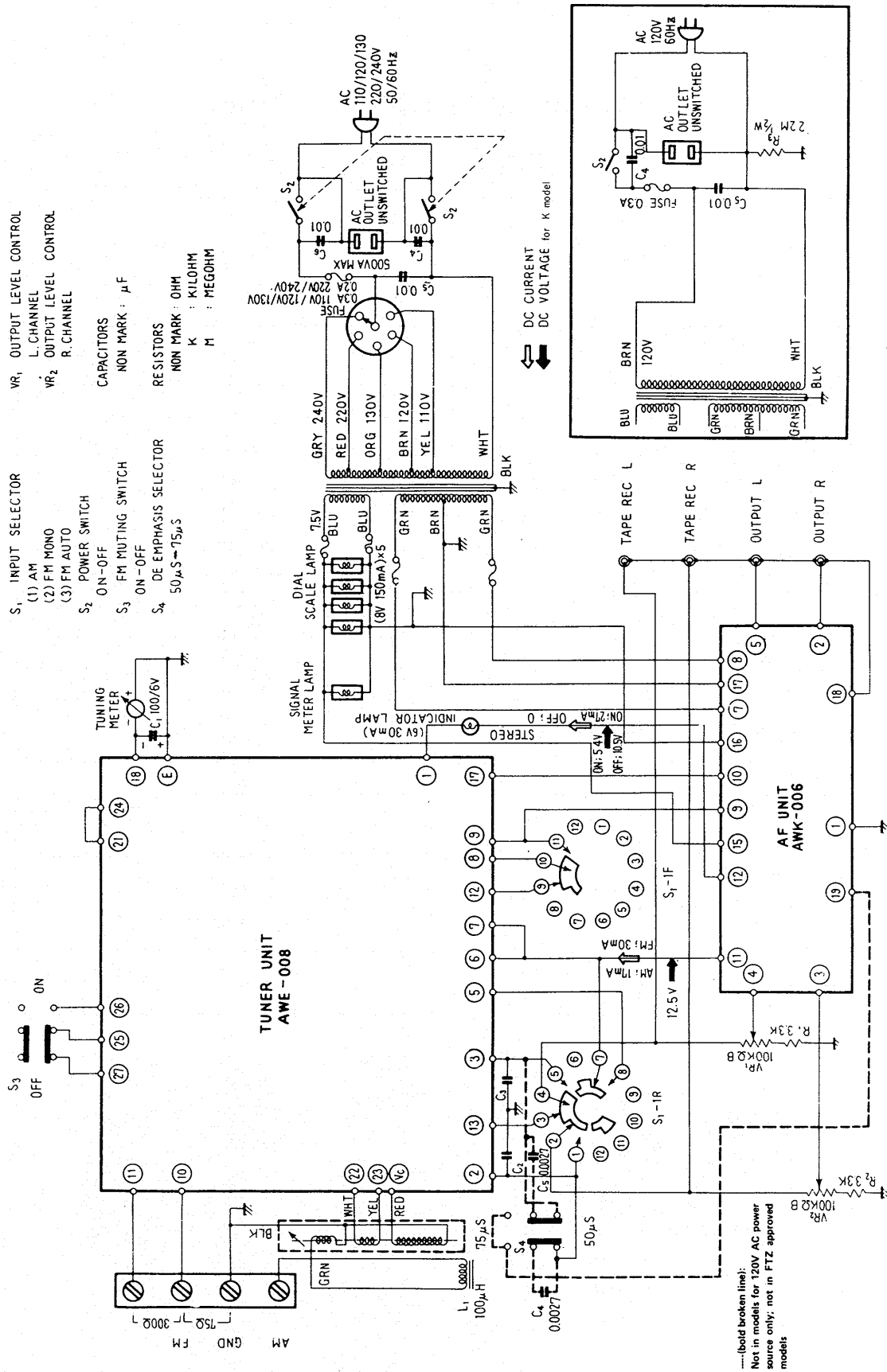


AM/FM STEREO TUNER TX-500A

ROUND LABEL UNIT	F	FVZ	K			
TUNER UNIT	AWE-008	AWE-008	AWE-008			
FM FRONT END						
FM IF UNIT						
MPX UNIT						
AM TUNER UNIT						
MUTING UNIT						
AF UNIT	AWK-006	AWK-006	AWK-006			
CONTROL AMP UNIT						
MAIN AMP UNIT						
POWER SUPPLY UNIT						
SWITCH UNIT						
SWITCH UNIT						
SWITCH UNIT						
TONE COLOR UNIT						
CONTROL UNIT						
MIC AMP UNIT						
REVERBE AMP UNIT						
REVERBE UNIT						



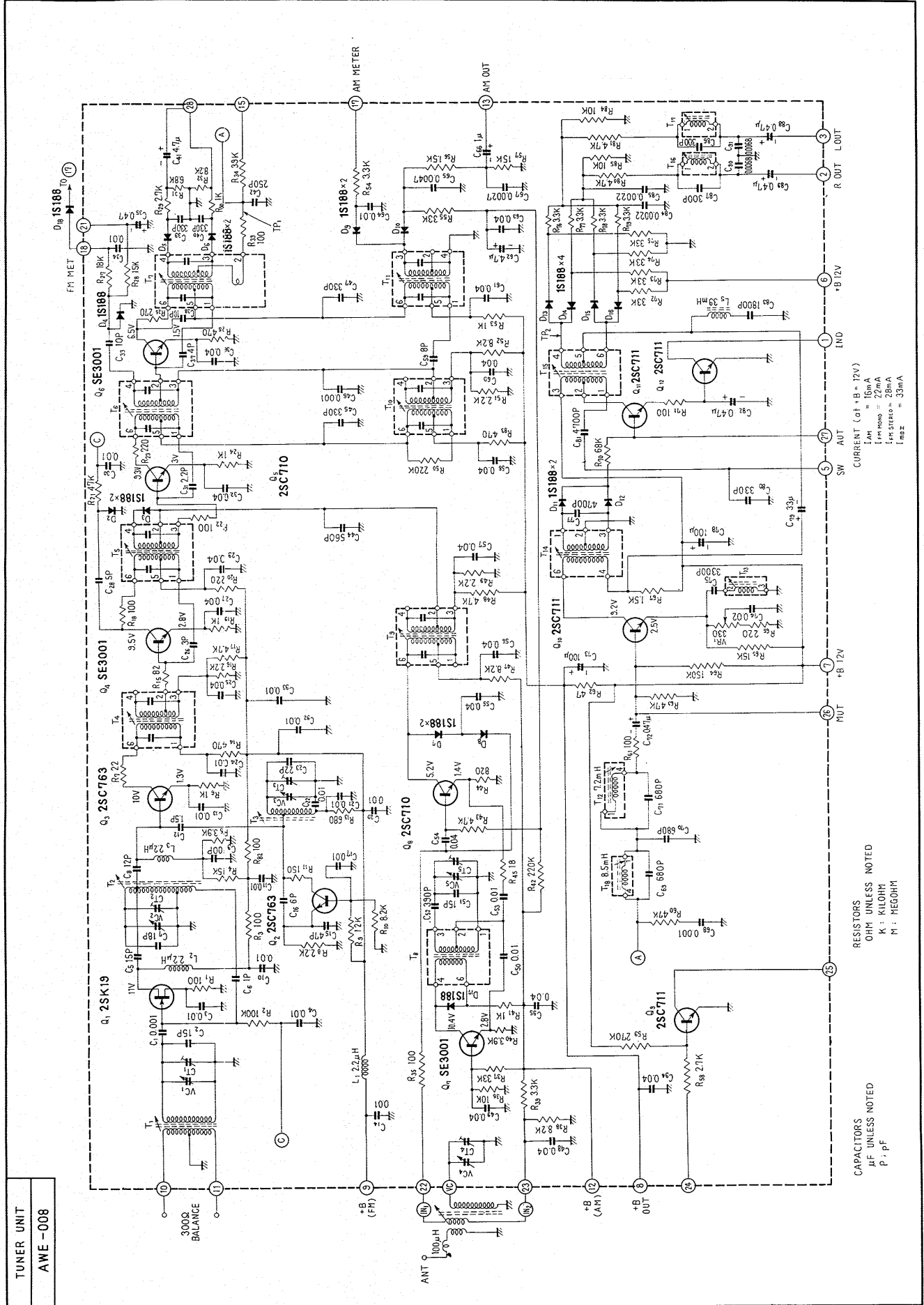
TX-500A



Power supply circuit for 120V AC only.

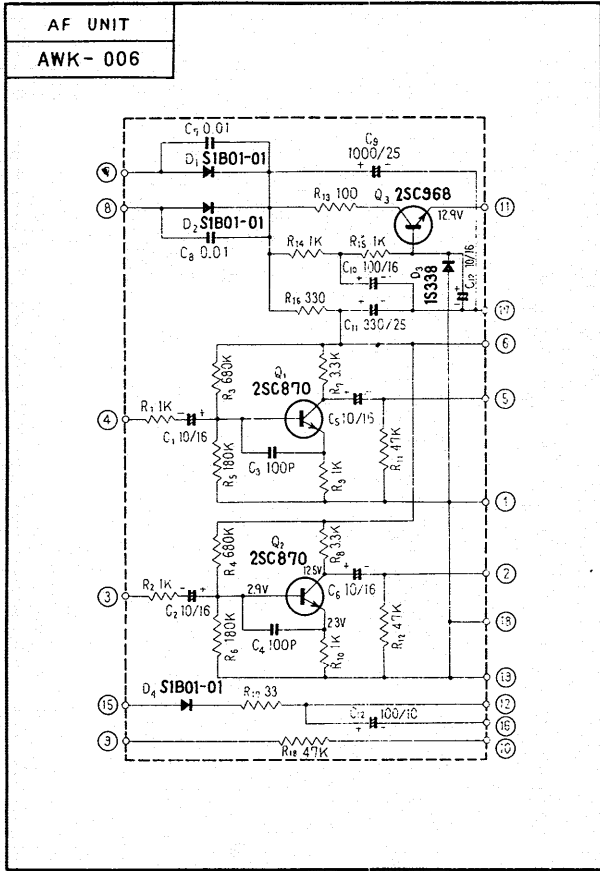
----(bold broken line):
Not in models for 120V AC power source only; not in FTZ approved models

TUNER UNIT



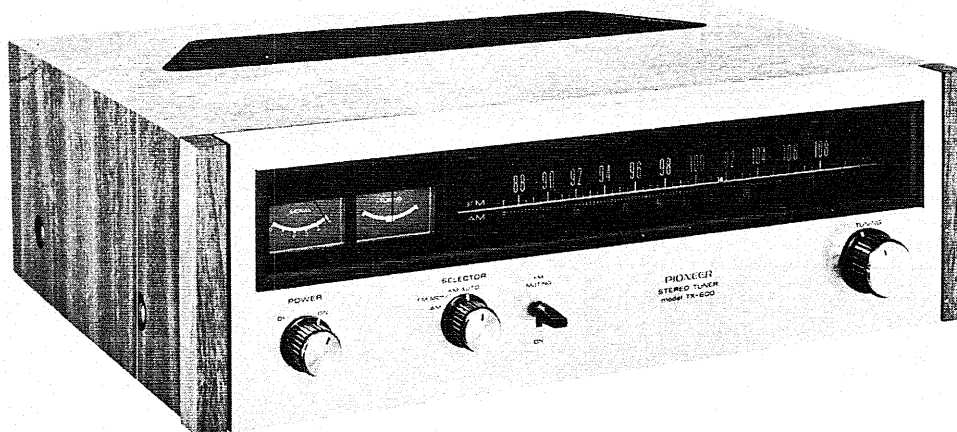
TUNER UNIT
 AWE-008

AF UNIT

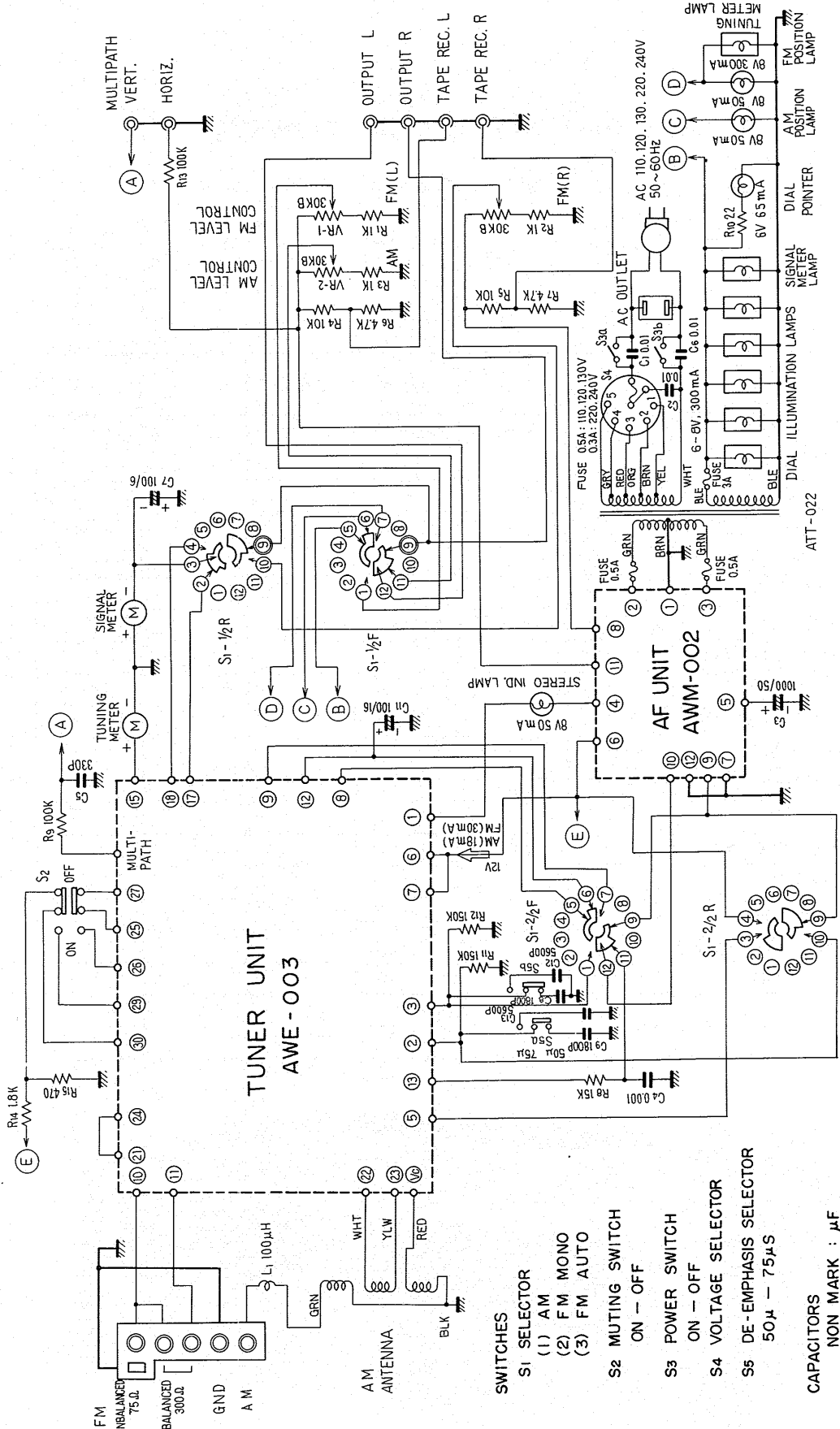


AM/FM STEREO TUNER TX-600

UNIT \ ROUND LABEL	FVZW	FW	KUW	KCW		
TUNER UNIT	AWE-003	AWE-003	AWE-003	AWE-003		
FM FRONT END						
FM IF UNIT						
MPX UNIT						
AM TUNER UNIT						
MUTING UNIT						
AF UNIT	AWM-002	AWM-002	AWM-002	AWM-002		
CONTROL AMP UNIT						
MAIN AMP UNIT						
POWER SUPPLY UNIT						
SWITCH UNIT						
SWITCH UNIT						
SWITCH UNIT						
TONE COLOR UNIT						
CONTROL UNIT						
MIC AMP UNIT						
REVERBE AMP UNIT						
REVERBE UNIT						



TX - 600

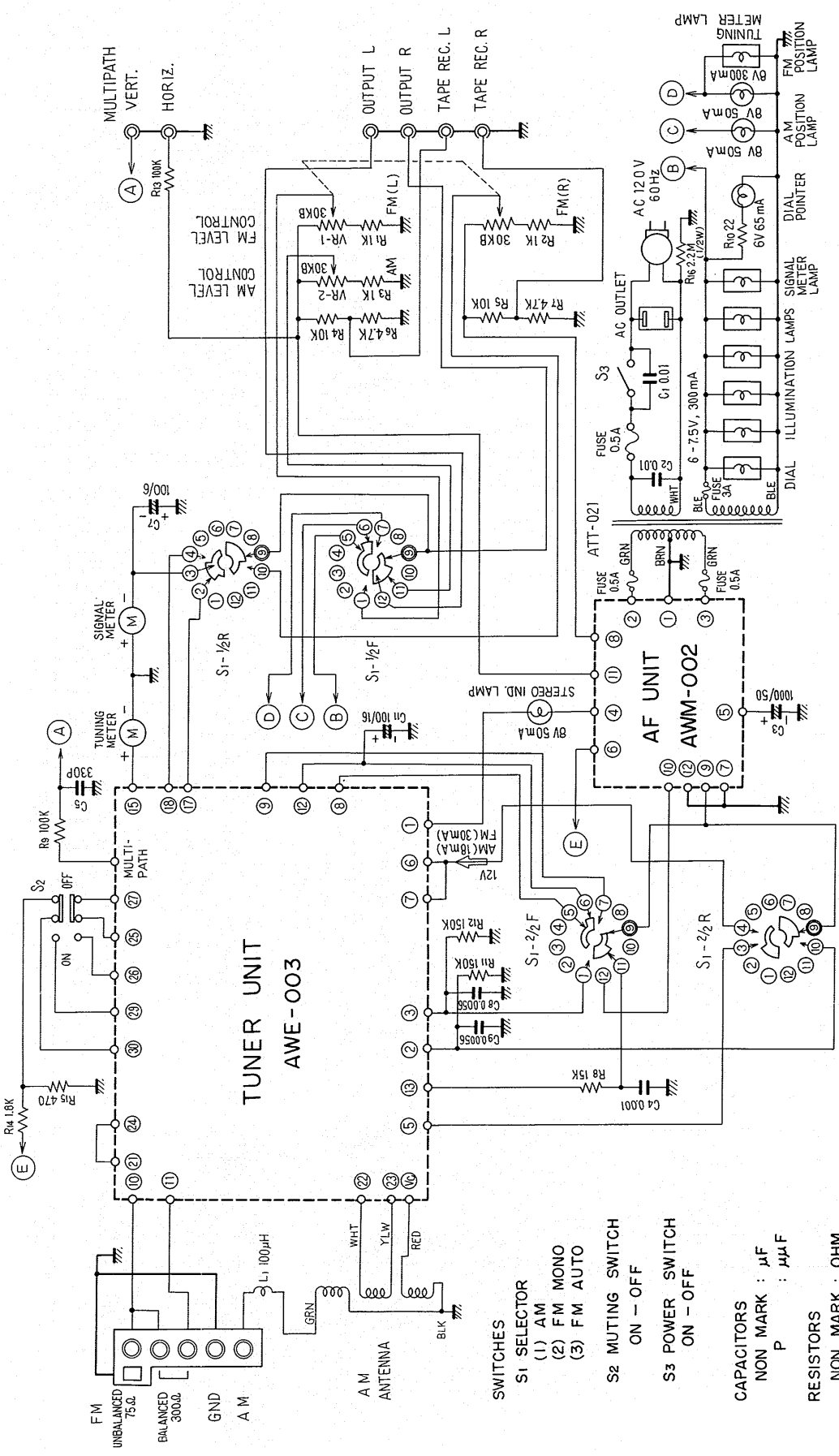


- SWITCHES**
 S1 SELECTOR
 (1) AM MONO
 (2) FM MONO
 (3) FM AUTO
 S2 MUTING SWITCH
 ON - OFF
 S3 POWER SWITCH
 ON - OFF
 S4 VOLTAGE SELECTOR
 ON - OFF
 S5 DE-EMPHASIS SELECTOR
 50µ - 75µS
- CAPACITORS**
 NON MARK : µF
 P : µµF
- RESISTORS**
 NON MARK : OHM
 K : KILOHM
 M : MEGOHM

ATT-022

TX-600 for KUW, KCW model

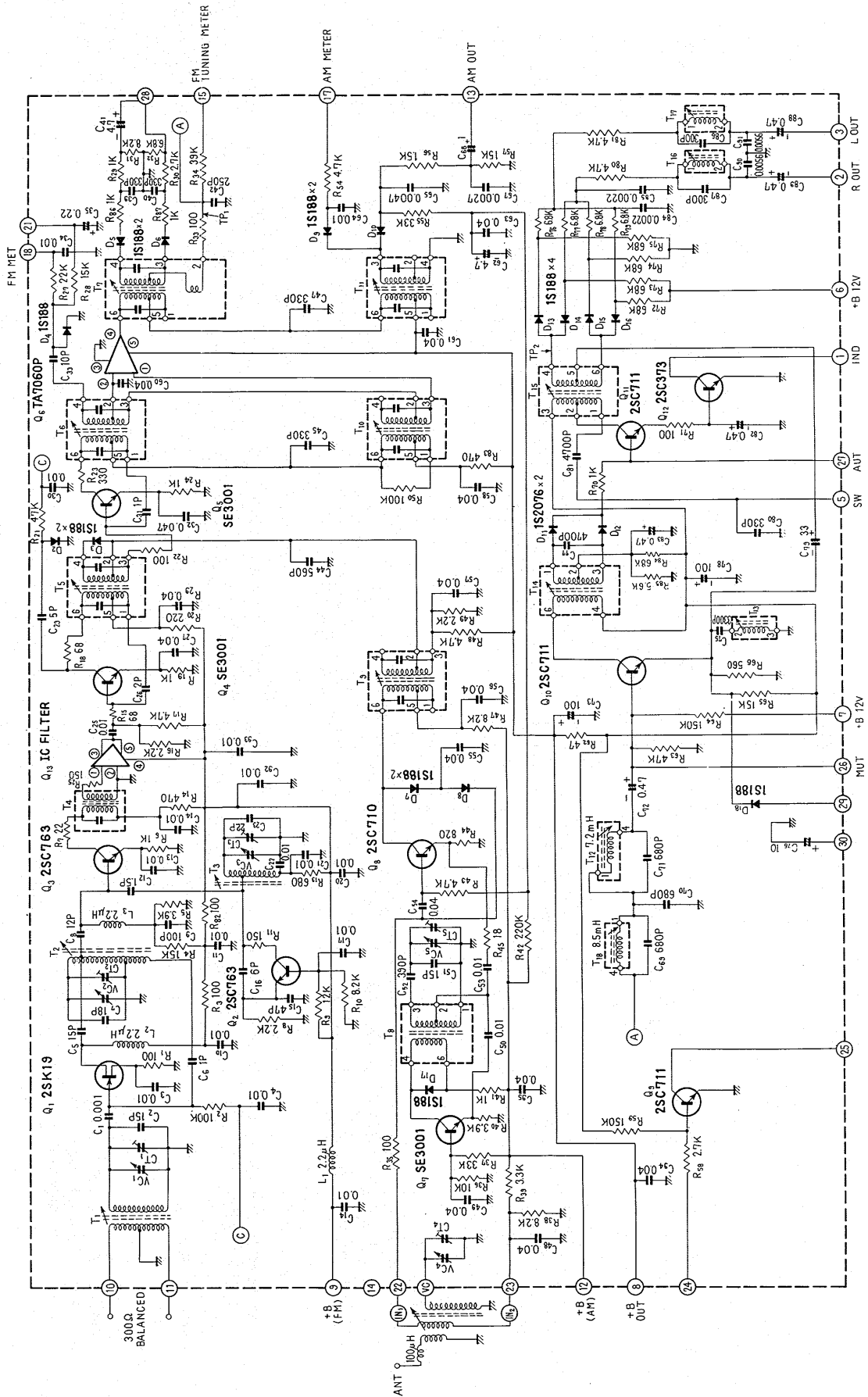
TX-600



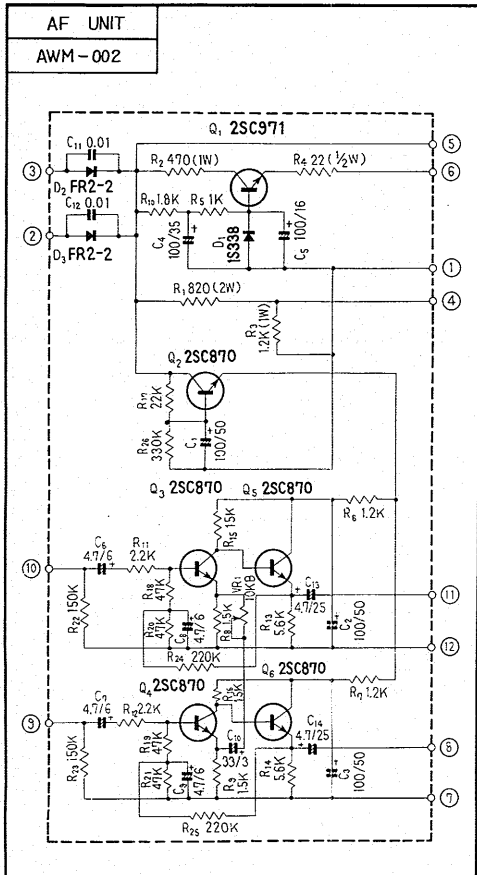
- SWITCHES**
 S1 SELECTOR
 (1) AM
 (2) FM MONO
 (3) FM AUTO
 S2 MUTING SWITCH
 ON - OFF
 S3 POWER SWITCH
 ON - OFF
- CAPACITORS**
 NON MARK : μ F
 P : μ F
- RESISTORS**
 NON MARK : OHM
 K : KILOHM
 M : MEGOHM

TUNER UNIT

TUNER UNIT
AWE-003



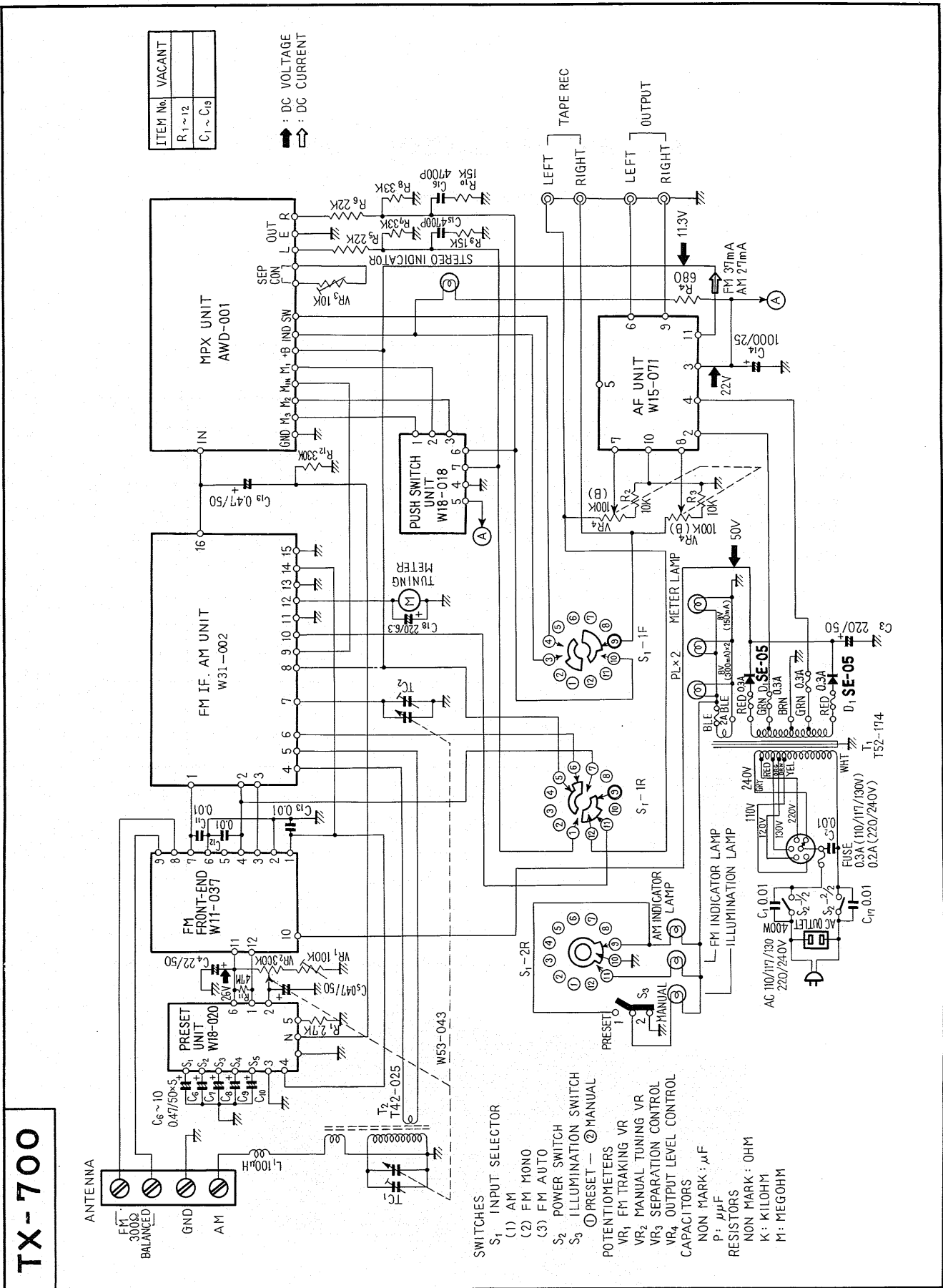
AF UNIT

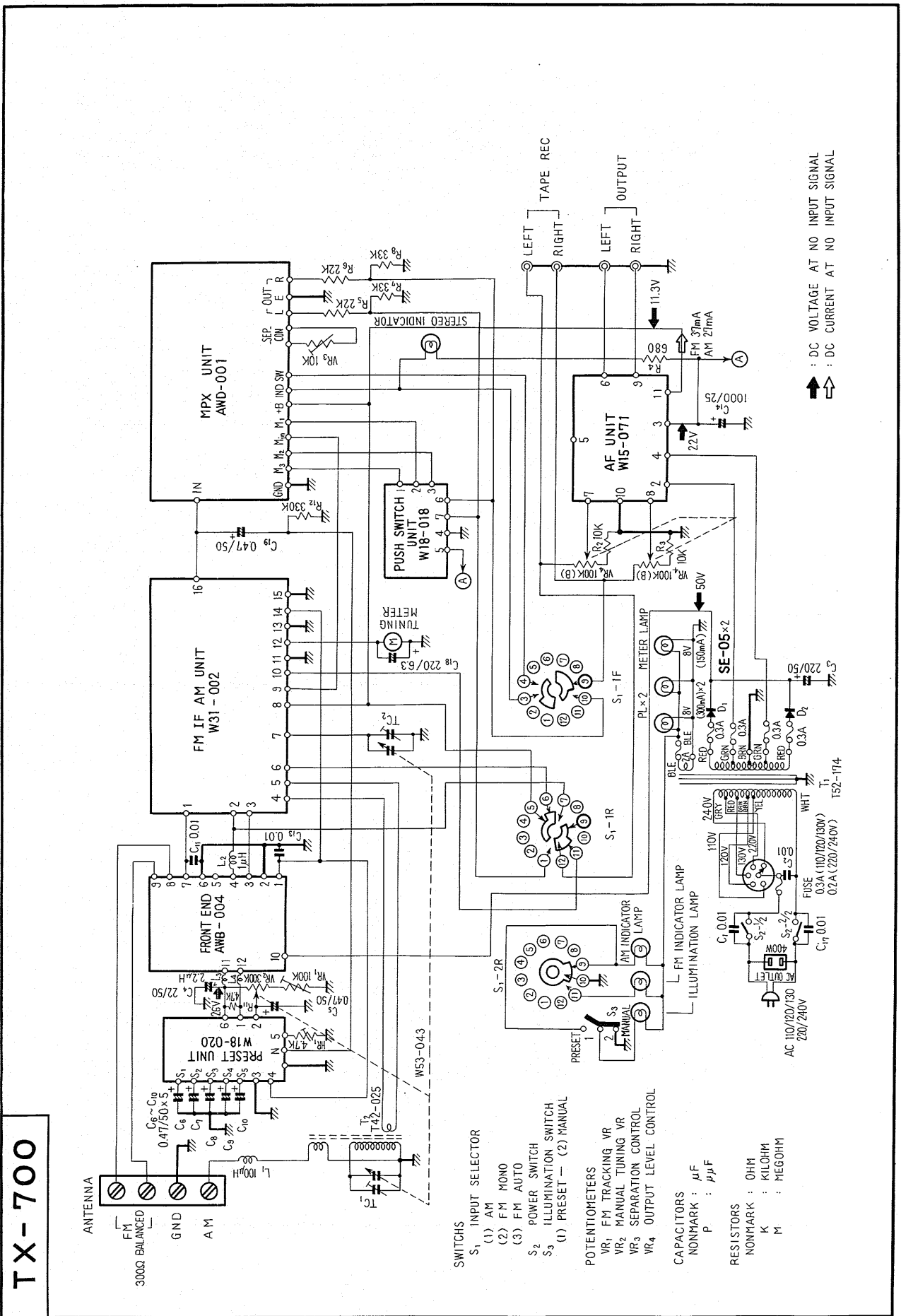


AM/FM STEREO TUNER TX-700

UNIT	ROUND LABEL	FV	FVZ				
FM FRONT END		W11-037	AWB-004				
FM IF UNIT		W31-002	W31-002				
MPX UNIT		AWD-001	AWD-001				
AM TUNER UNIT							
MUTING UNIT							
AF UNIT		W15-071	W15-071				
CONTROL AMP UNIT							
MAIN AMP UNIT							
POWER SUPPLY UNIT							
SWITCH UNIT		W18-018	W18-018				
PRESET UNIT		W18-020	W18-020				
SWITCH UNIT							
TONE COLOR UNIT							
CONTROL UNIT							
MIC AMP UNIT							
REVERBE AMP UNIT							
REVERBE UNIT							

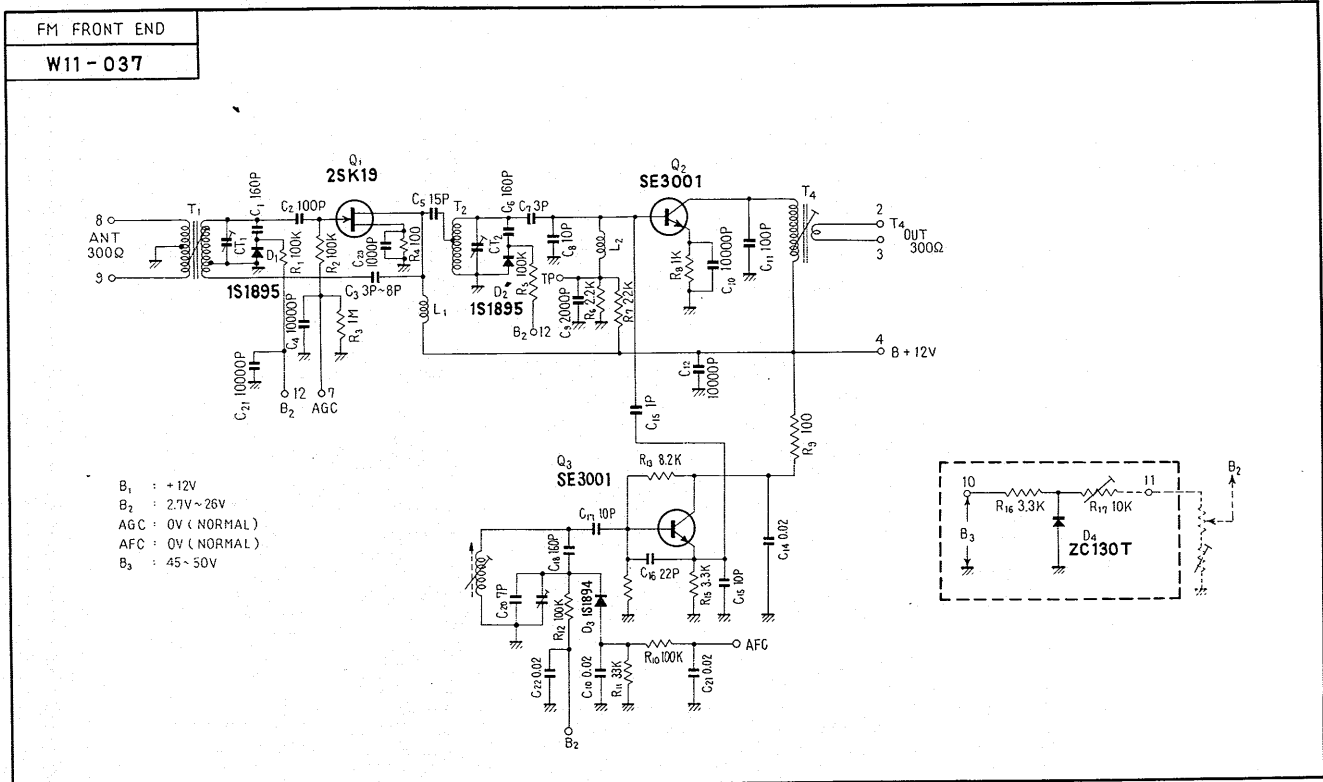




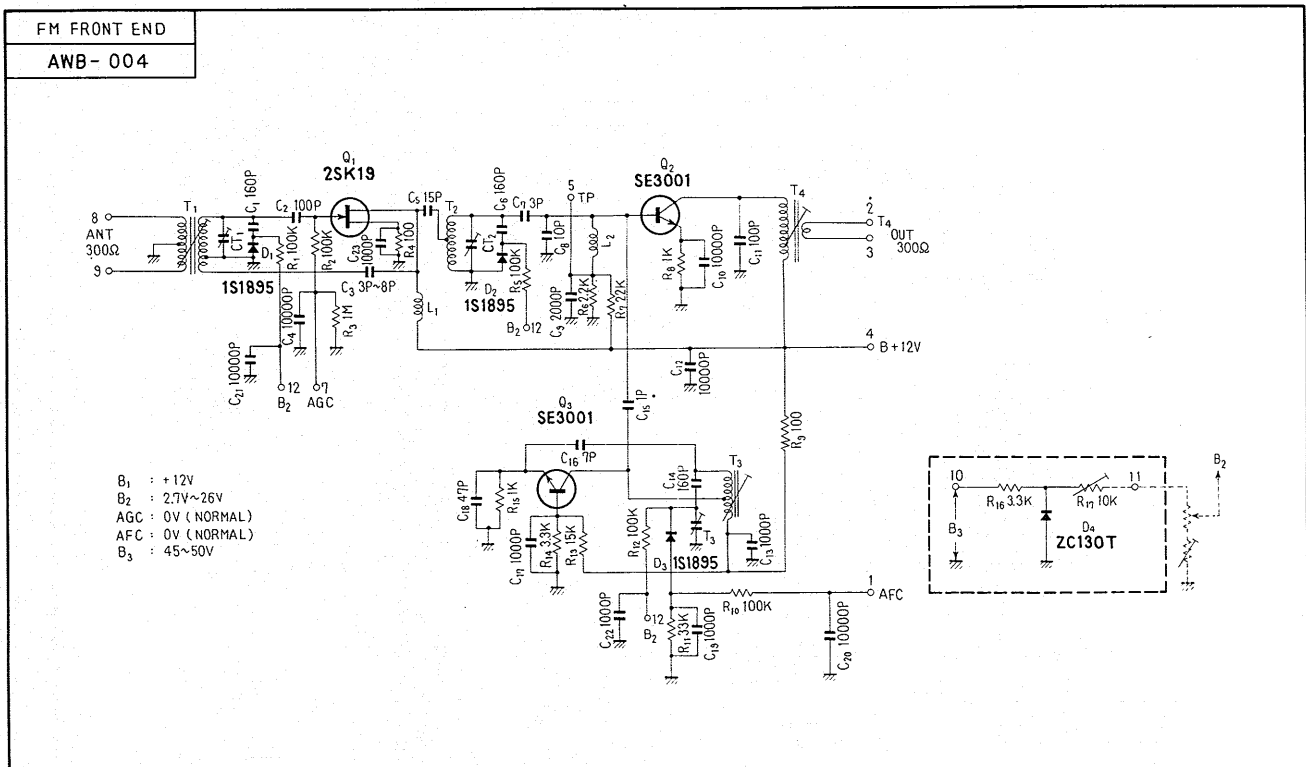


- SWITCHES**
 S₁ INPUT SELECTOR
 (1) AM
 (2) FM MONO
 (3) FM AUTO
 S₂ POWER SWITCH
 S₃ ILLUMINATION SWITCH
 (1) PRESET - (2) MANUAL
- POTENTIOMETERS**
 VR₁ FM TRACKING VR
 VR₂ MANUAL TUNING VR
 VR₃ SEPARATION CONTROL
 VR₄ OUTPUT LEVEL CONTROL
- CAPACITORS**
 NONHARK : μF
 P : μμF
- RESISTORS**
 NONHARK : OHM
 K : KILOHM
 M : MEGOHM

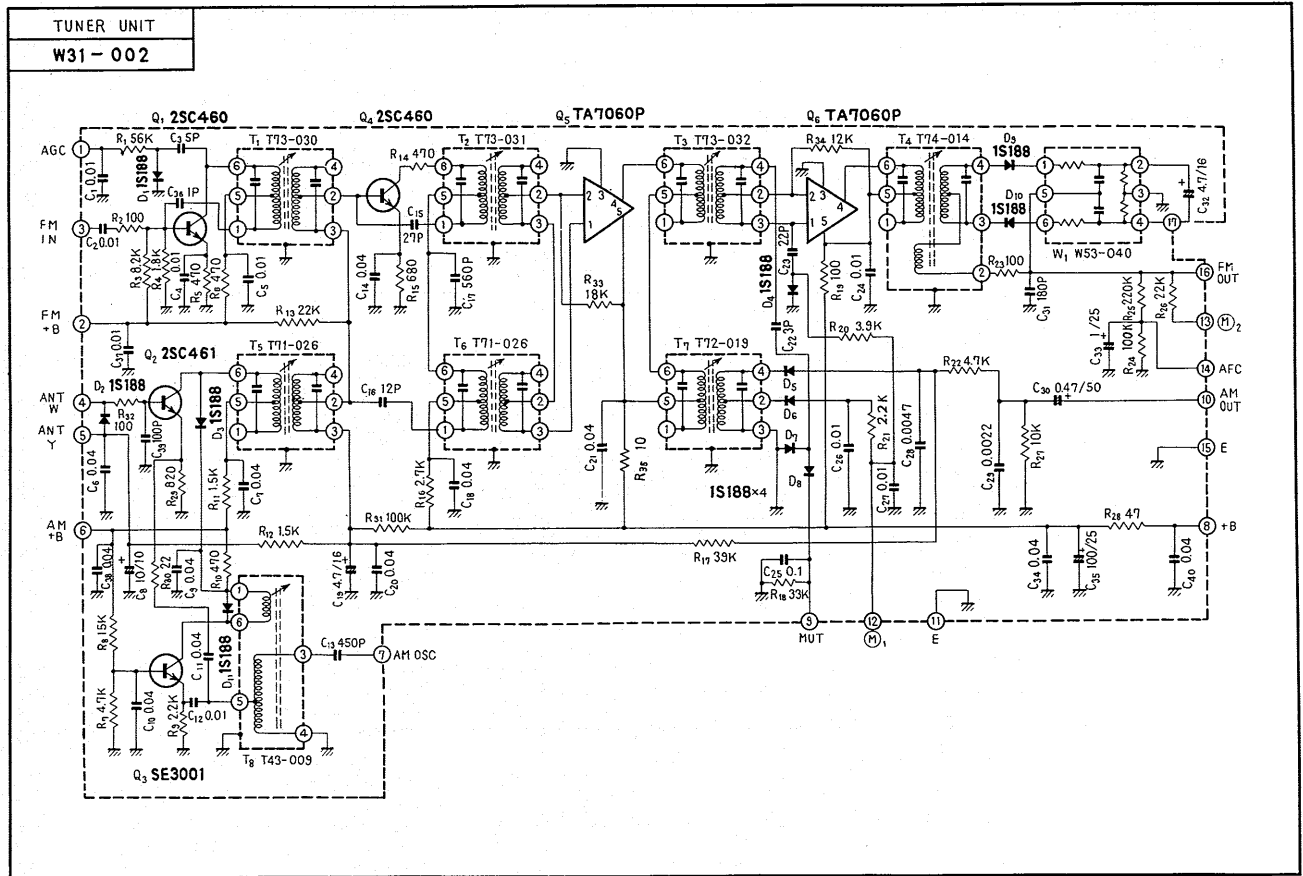
FM FRONT END



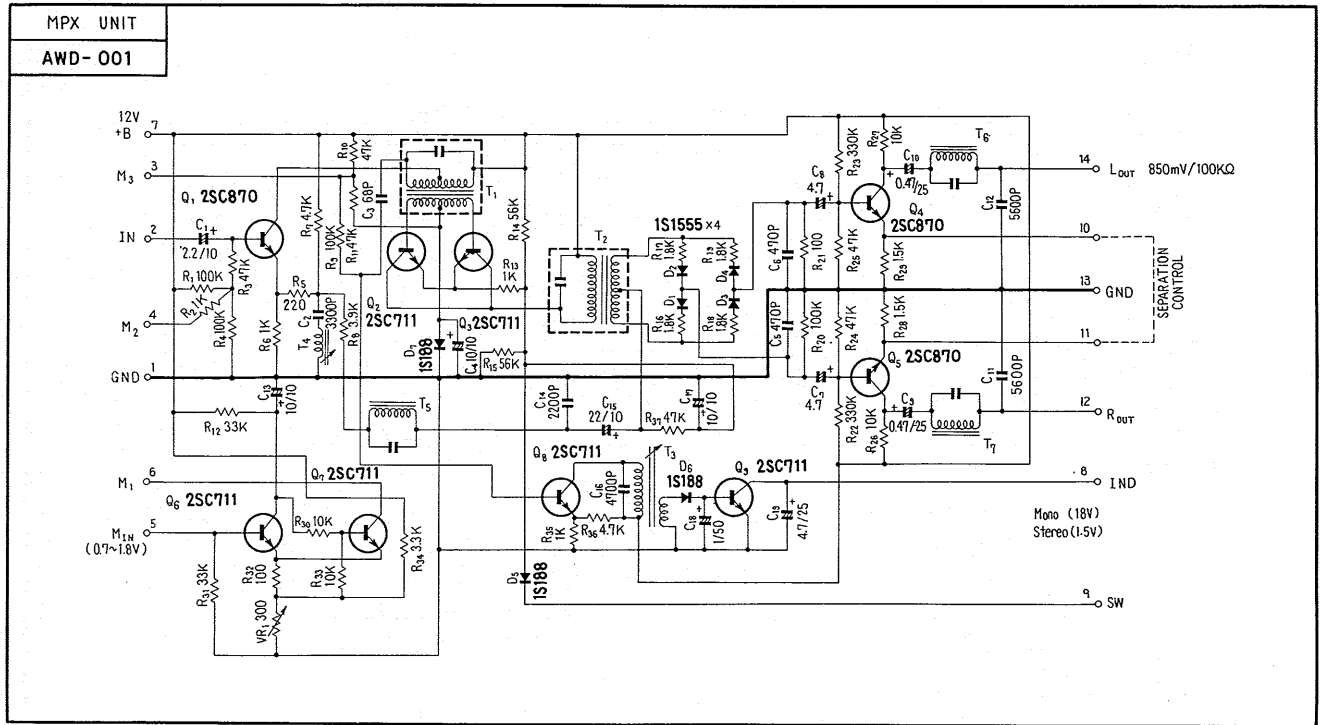
FM FRONT END for FVZ model



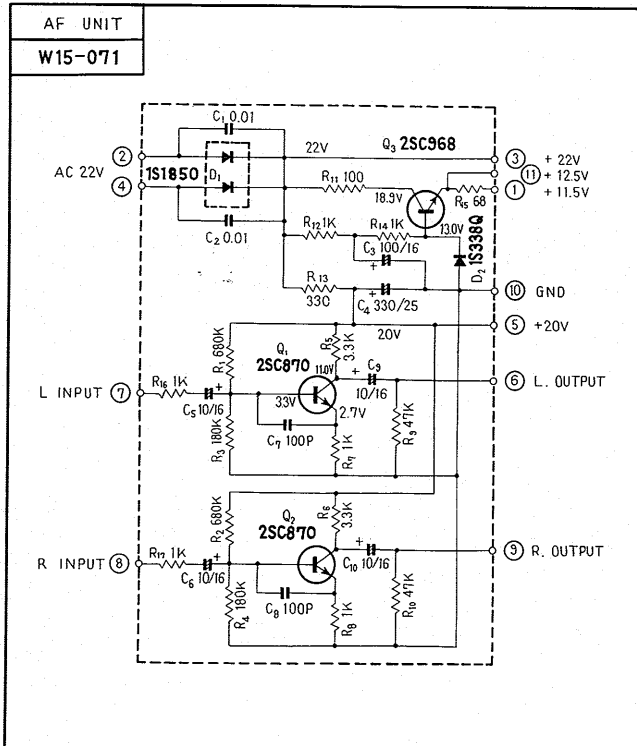
TUNER UNIT



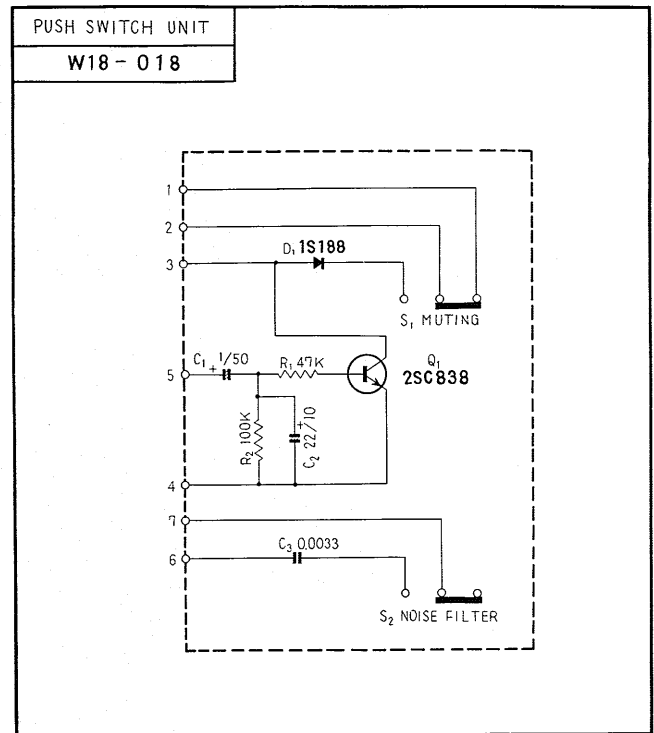
MPX UNIT



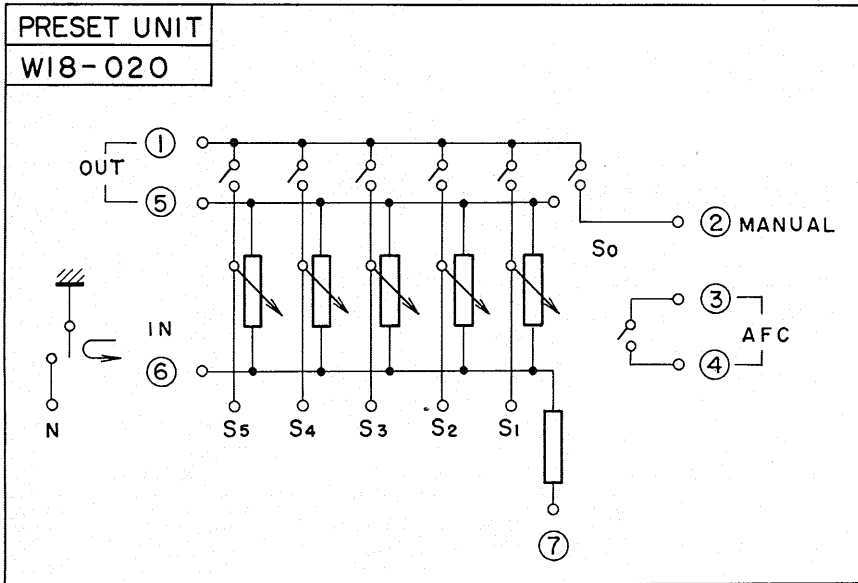
AF UNIT



SWITCH UNIT



PRESET UNIT

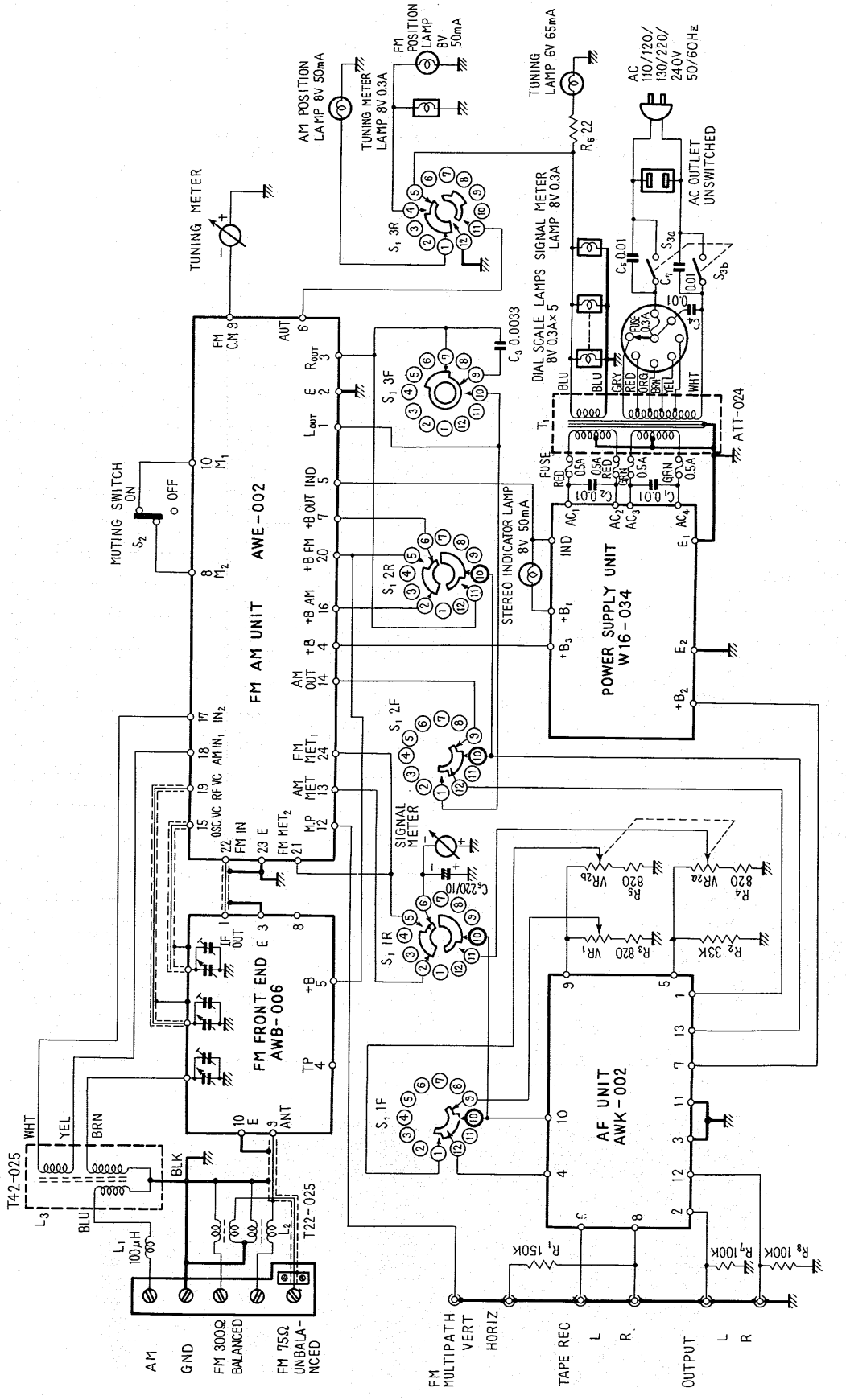


AM/FM STEREO TUNER TX-800

ROUND LABEL UNIT	FVZW	FW	KCW	KUW		
FM FRONT END	AWB-006	W11-045	W11-045	W11-045		
FM AM UNIT	AWE-002	AWE-002	AWE-002	AWE-002		
MPX UNIT						
AM TUNER UNIT						
MUTING UNIT						
AF UNIT	AWK-002	AWK-002	AWK-002	AWK-002		
CONTROL AMP UNIT						
MAIN AMP UNIT						
POWER SUPPLY UNIT	W16-034	W16-034	W16-034	W16-034		
SWITCH UNIT						
SWITCH UNIT						
SWITCH UNIT						
TONE COLOR UNIT						
CONTROL UNIT						
MIC AMP UNIT						
REVERBE AMP UNIT						
REVERBE UNIT						

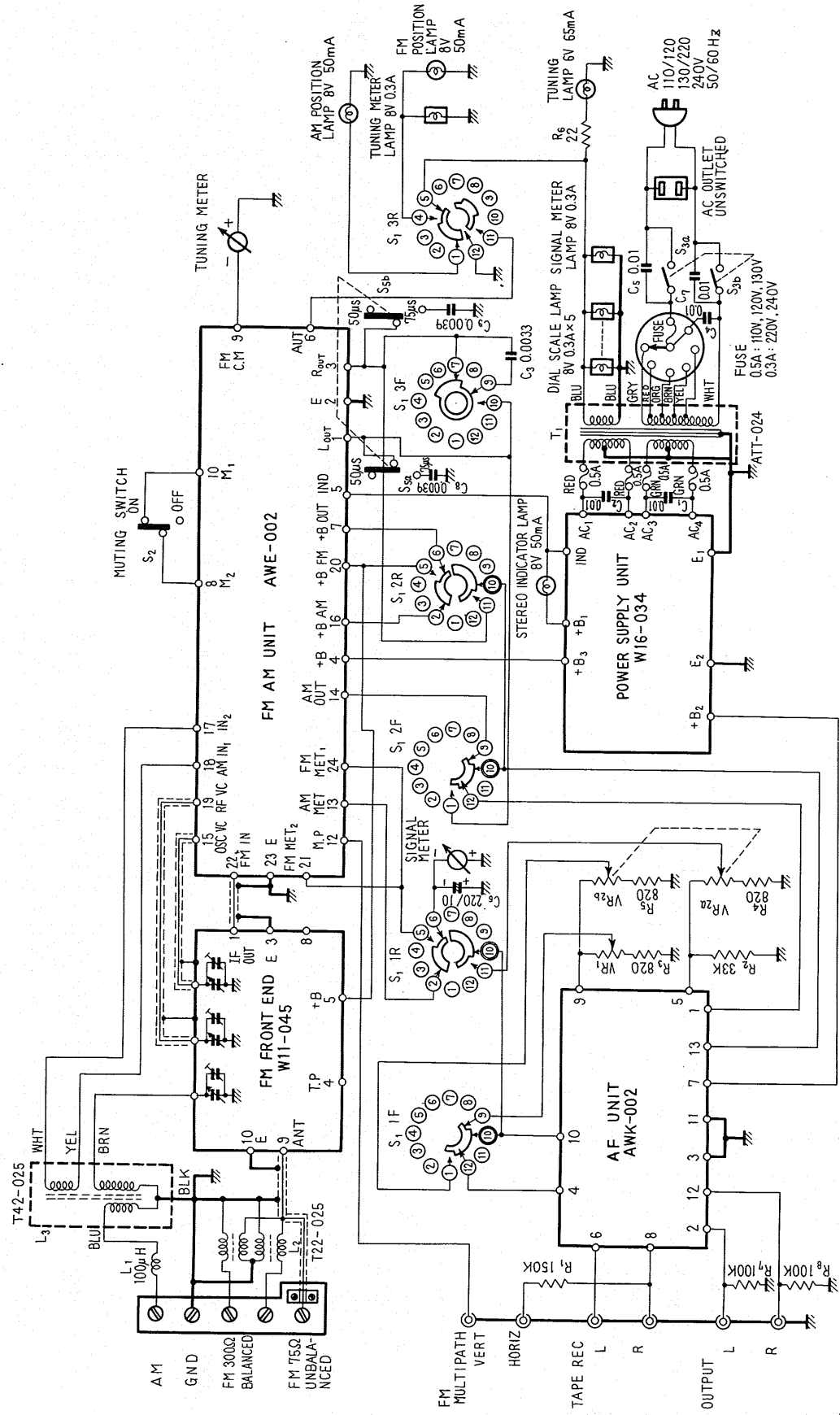


TX-800



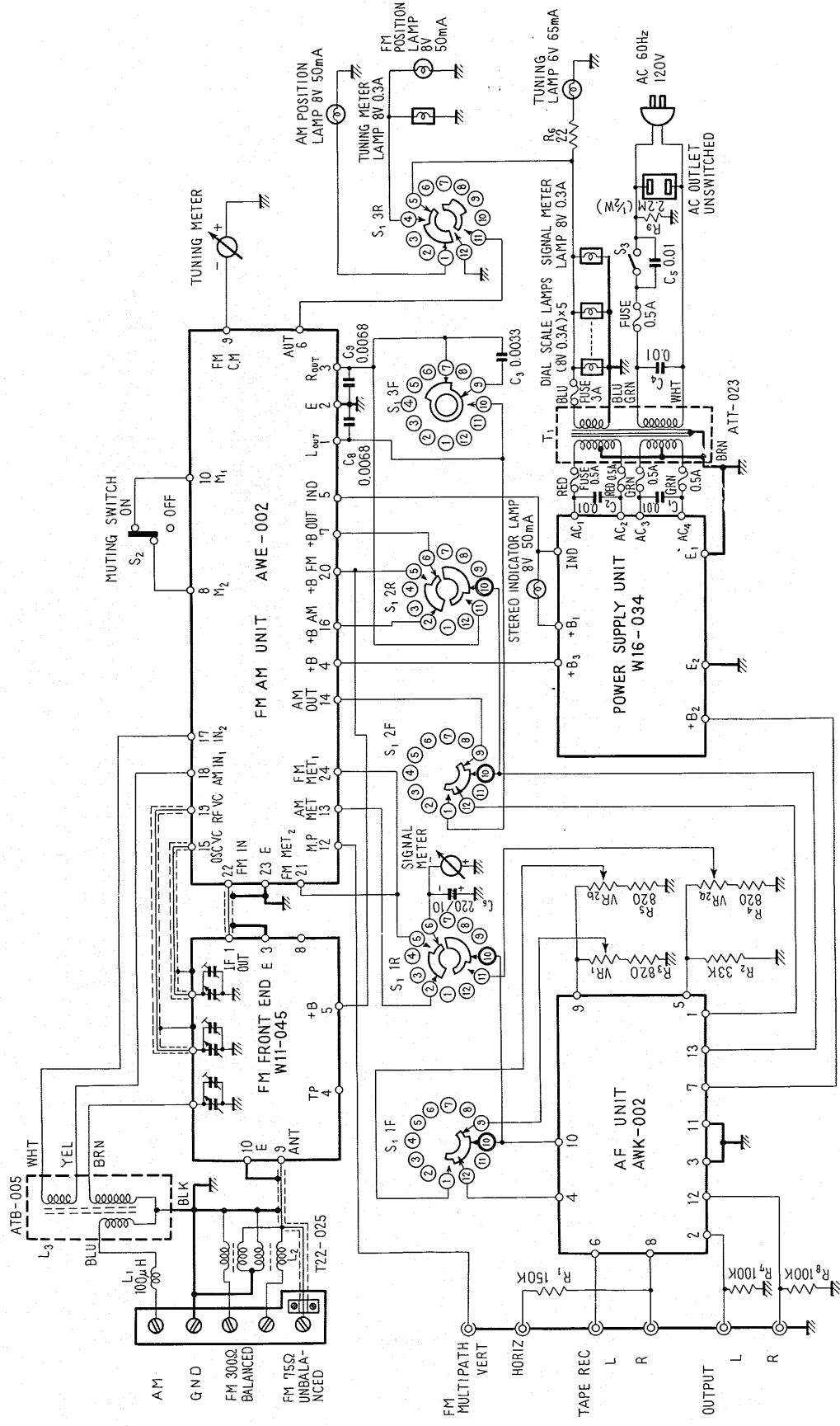
- S₁ BAND SELECTOR
 1) AM 2) FM MONO 3) FM AUTO
 4) MPX NOISE FILTER
 S₂ FM MUTING SWITCH
 S₃ POWER SWITCH
- POTENTIOMETERS
 VR₁ AM OUTPUT LEVEL CONTROL
 VR₂ FM OUTPUT LEVEL CONTROL
 CAPACITORS
 NON MARK : μF • P : μF
 RESISTORS
 NON MARK : ΩHM • K : KILOHM • M : MEGOHM

TX-800



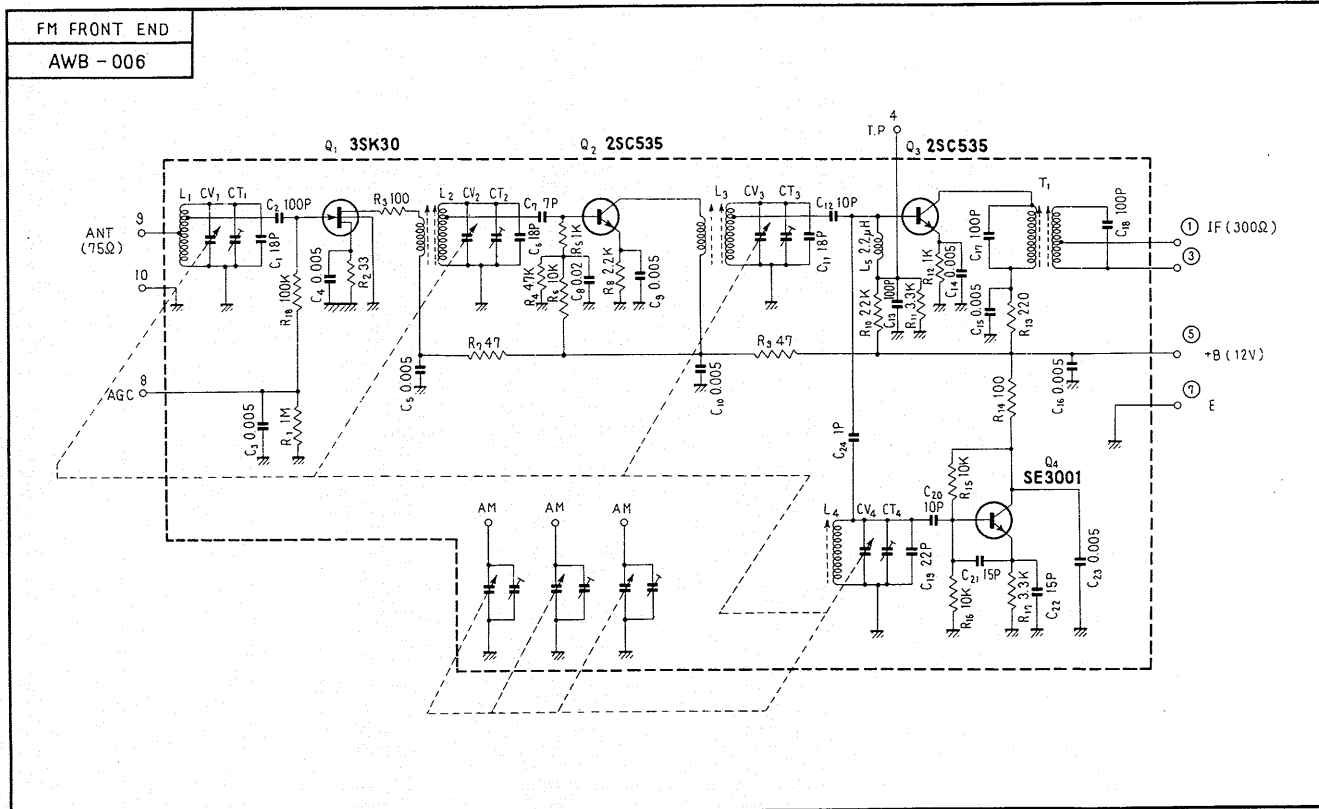
- S₁ BAND SELECTOR**
 1) AM 2) FM MONO 3) FM AUTO
 4) MPX NOISE FILTER
- S₂ FM MUTING SWITCH**
- S₃ POWER SWITCH**
- S₅ D-E SWITCH 50μs ↔ 15μs**
- POTENTIOMETERS**
 VR₁ AM OUTPUT LEVEL CONTROL
 VR₂ FM OUTPUT LEVEL CONTROL
- RESISTORS**
 NON MARK : OHM
 K : KILOHM
 M : MEGOHM
- CAPACITORS**
 NON MARK : μF
 P : μμF

TX-800

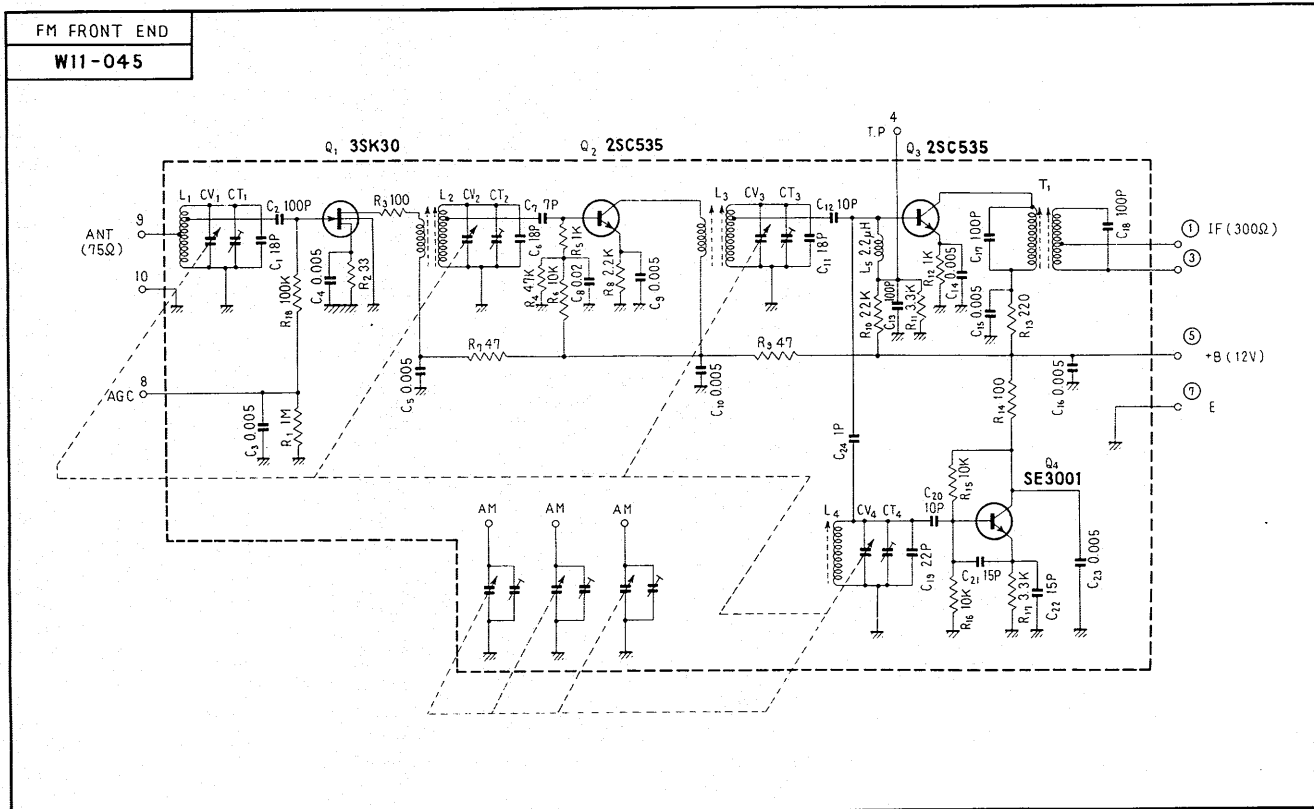


- S₁ BAND SELECTOR**
 1) AM 2) FM MONO 3) FM AUTO
S₂ FM MUTING SWITCH
S₃ POWER SWITCH
- POTENTIOMETERS**
 VR₁ AM OUTPUT LEVEL CONTROL
 VR₂ FM OUTPUT LEVEL CONTROL
- CAPACITORS**
 NON MARK: μF
 P : μμF
- RESISTORS**
 NON MARK: OHM
 K : KILOHM
 M : MEGOHM

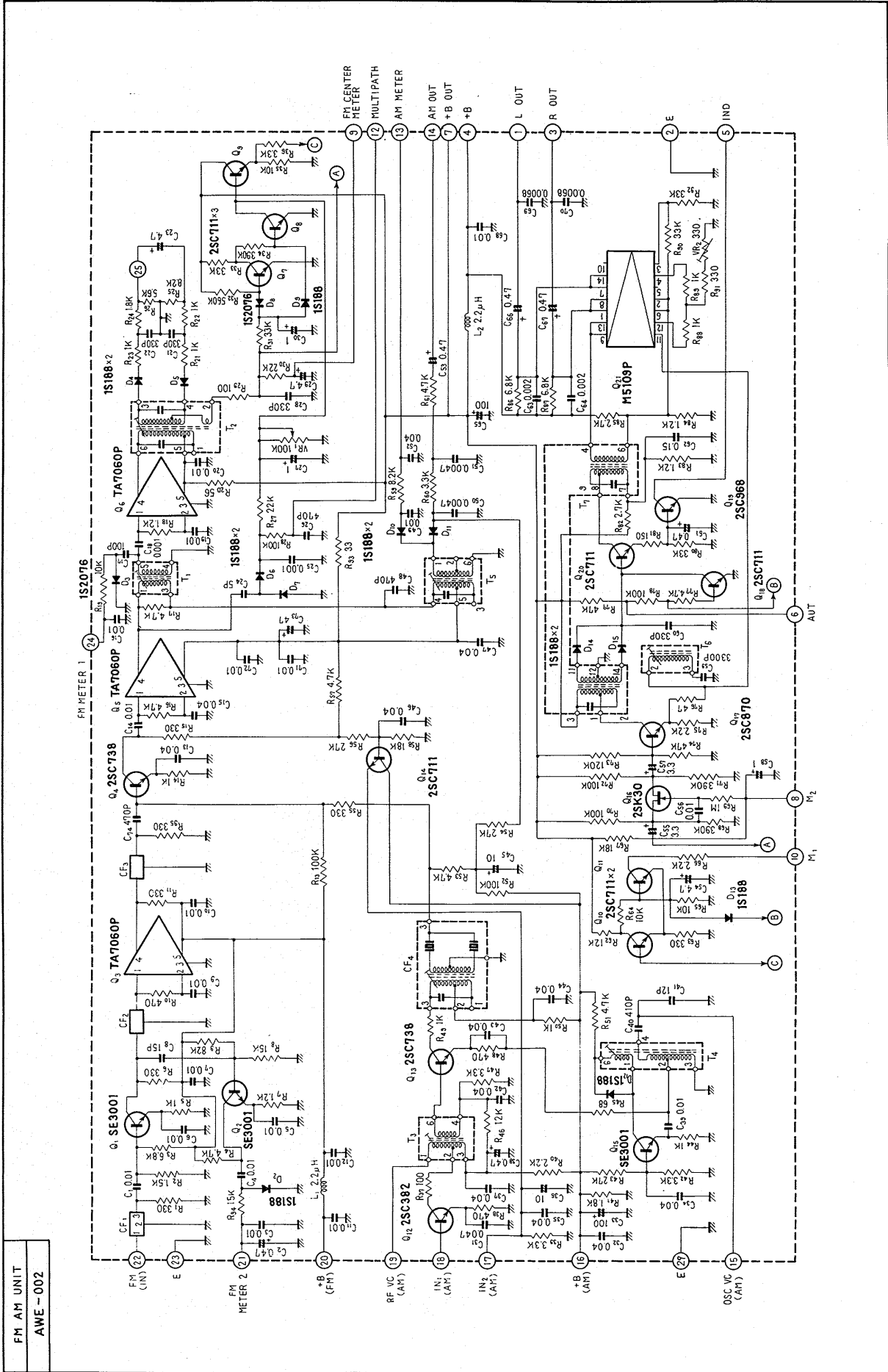
FM FRONT END



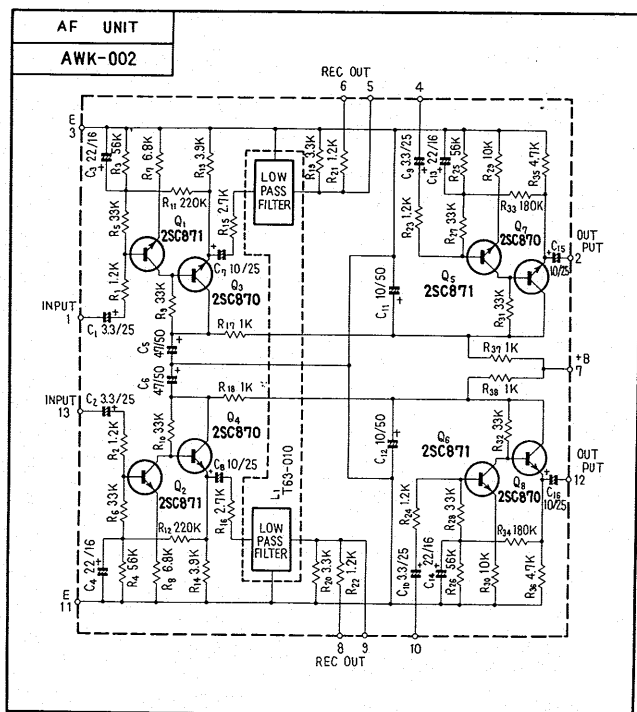
FM FRONT END for FW, KCW, KUW model



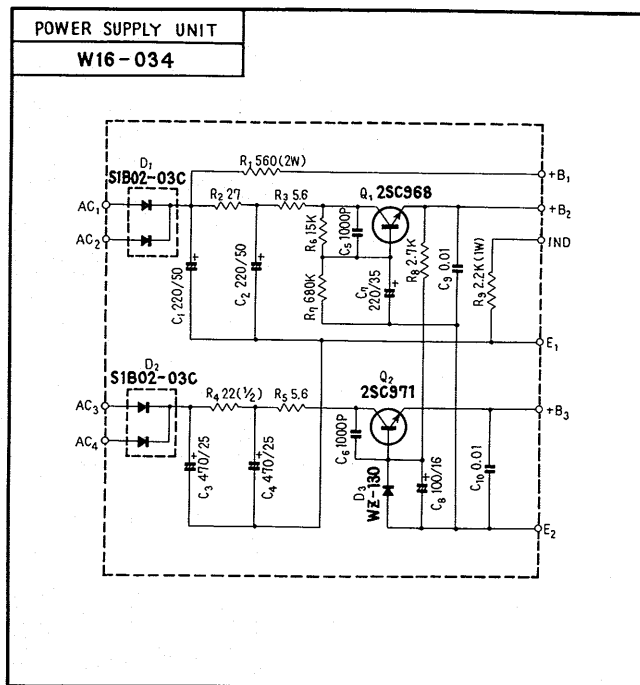
FM /AM UNIT



AF UNIT



POWER SUPPLY UNIT



AM/FM STEREO TUNER TX-900

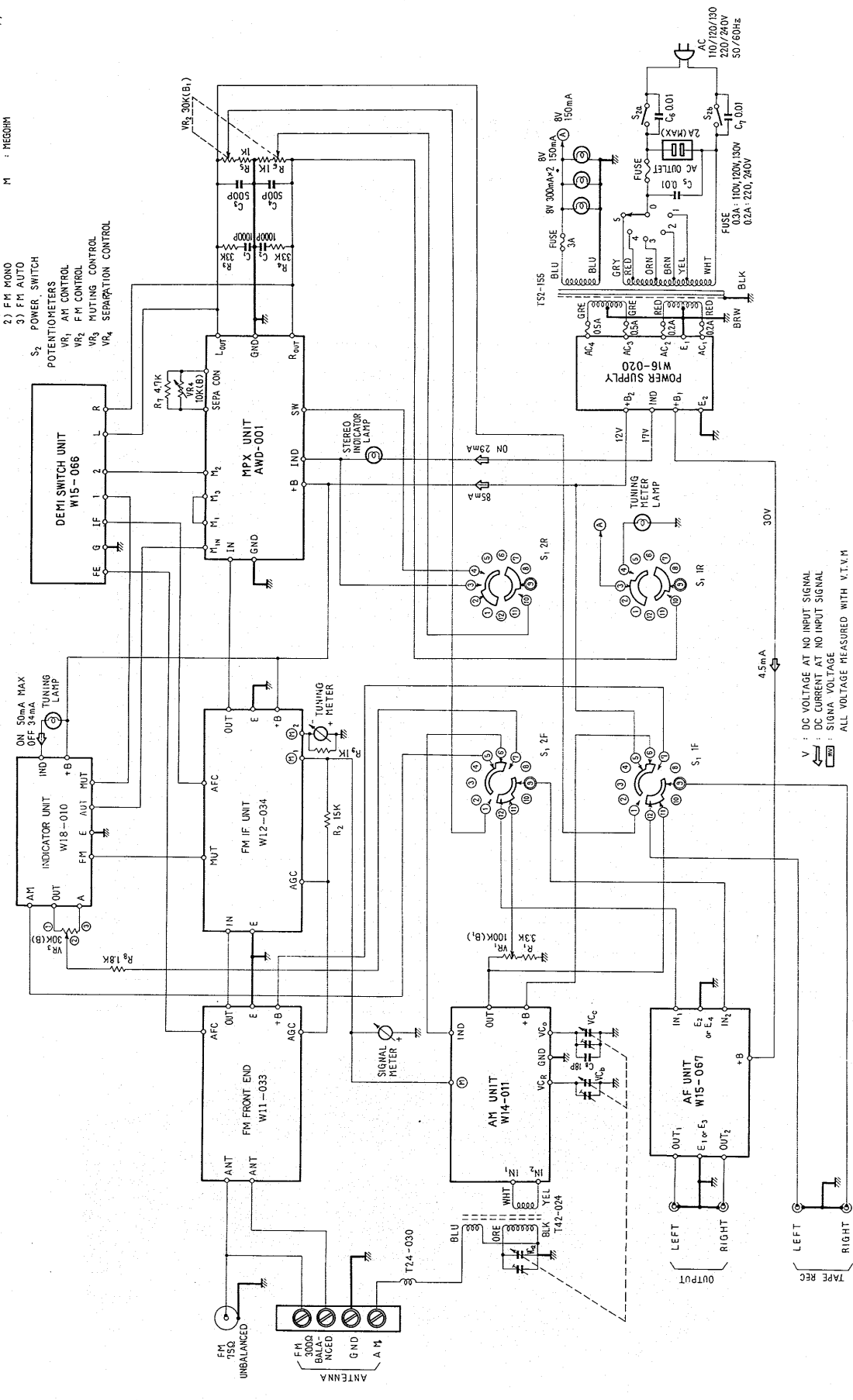
ROUND LABEL UNIT	FV	KC	KL			
FM FRONT END	W11-033	W11-033	W11-033			
FM IF UNIT	W12-034	W12-034	W12-034			
MPX UNIT	AWD-001	W13-025	W13-025			
AM TUNER UNIT	W14-011	W14-011	W14-011			
MUTING UNIT						
AF UNIT	W15-067	W15-067	W15-067			
CONTROL AMP UNIT						
MAIN AMP UNIT						
POWER SUPPLY UNIT	W16-020	W16-020	W16-020			
SWITCH UNIT	W15-066	W15-066	W15-066			
SWITCH UNIT						
SWITCH UNIT						
TONE COLOR UNIT						
CONTROL UNIT						
MIC AMP UNIT						
REVERBE AMP UNIT						
REVERBE UNIT						
INDICATOR UNIT	W18-010	W18-010	W18-010			



TX-900 for FV model

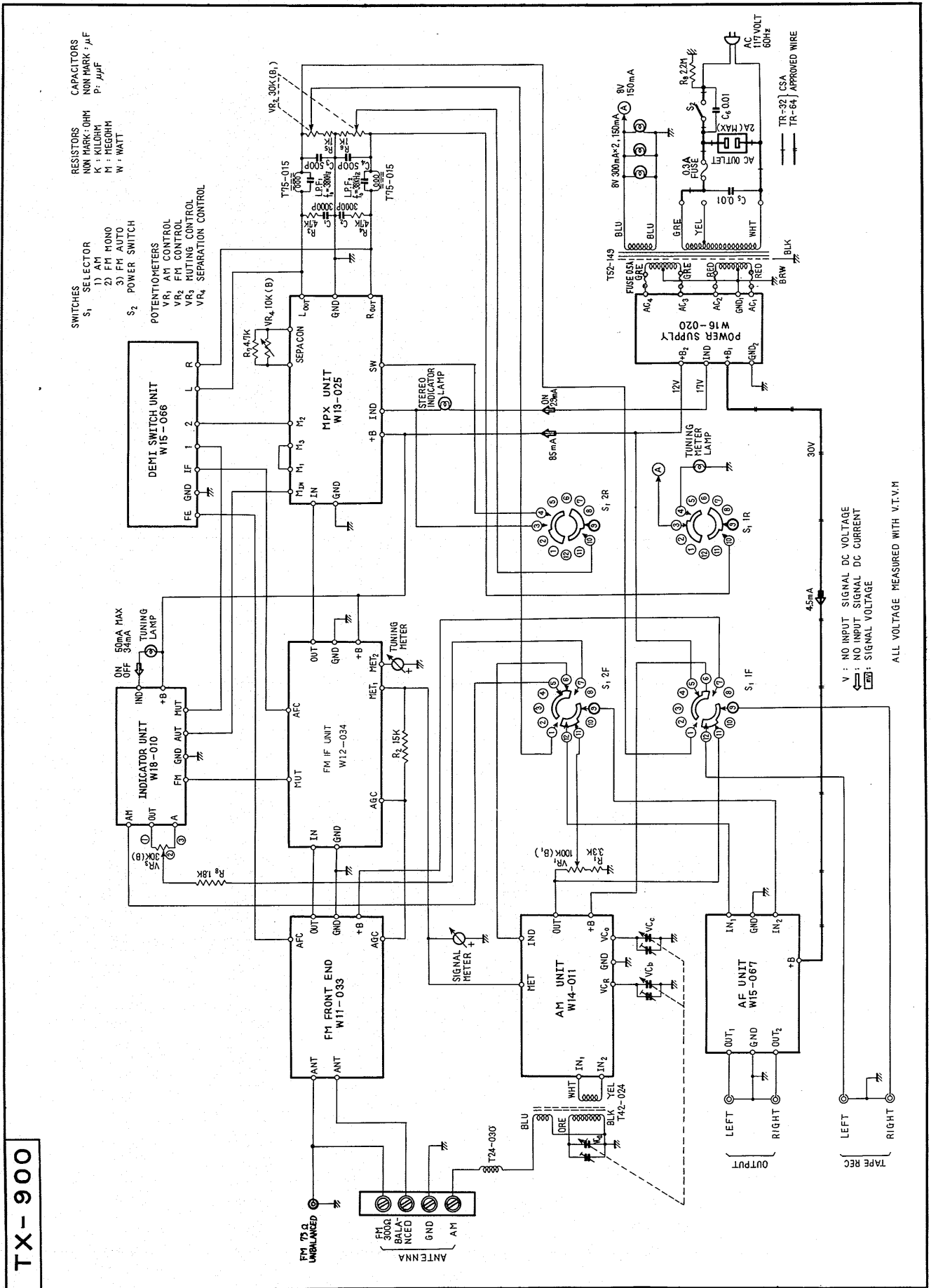
TX-900

- RESISTORS
 NON MARK : OHM
 K : KILOHM
 M : MEGOHM
- CAPACITORS
 NON MARK : μ F
 P : μ PF
- SWITCHES
 S₁ SELECTOR
 1) AM
 2) FM MONO
 3) FM AUTO
- S₂ POWER SWITCH
- POTENTIOMETERS
 VR₁ AM CONTROL
 VR₂ FM CONTROL
 VR₃ MUTING CONTROL
 VR₄ SEPARATION CONTROL



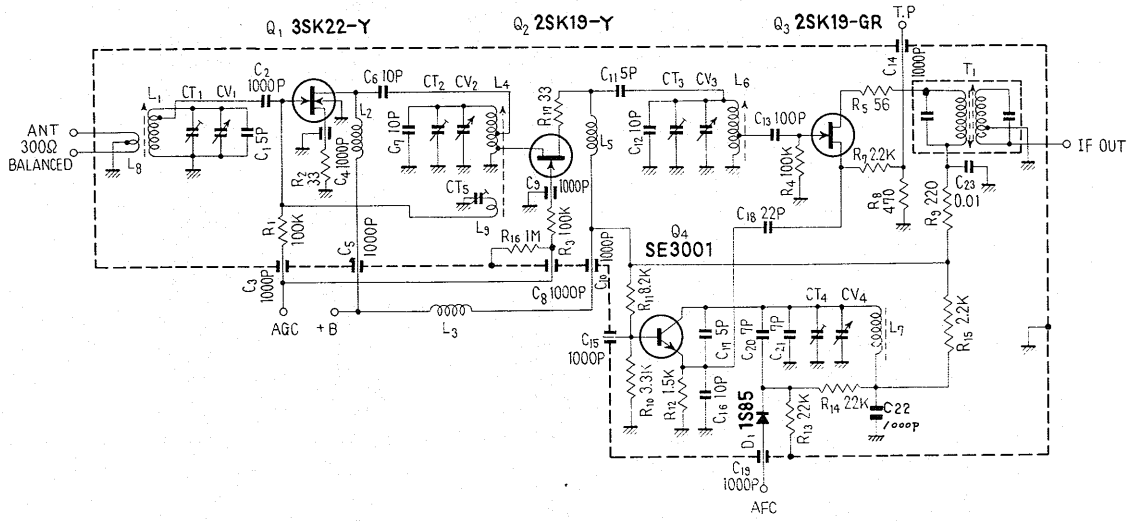
V : DC VOLTAGE AT NO INPUT SIGNAL
 ← : DC CURRENT AT NO INPUT SIGNAL
 : SIGMA VOLTAGE
 ALL VOLTAGE MEASURED WITH V.T.V.M

TX-900 for KC, KL model



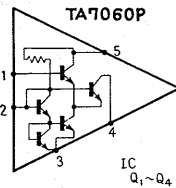
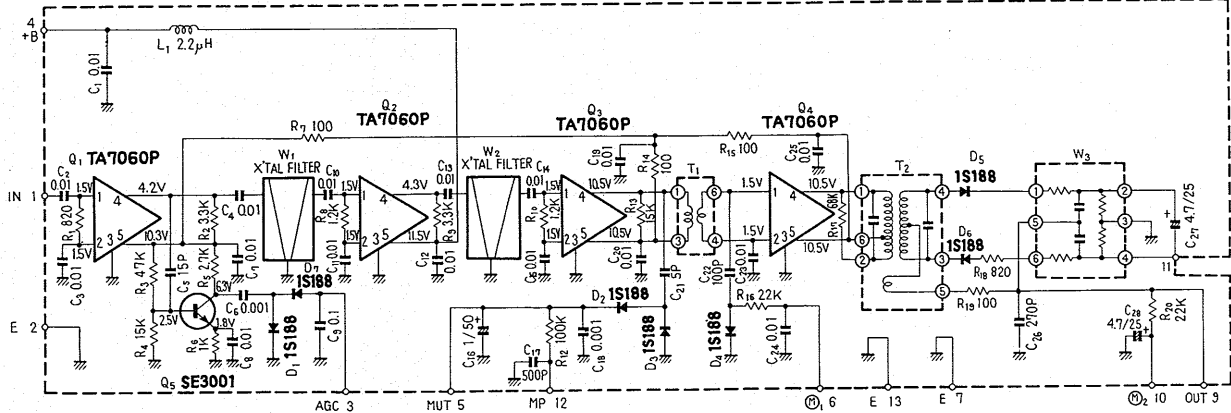
FM FRONT END

FM FRONT END
W11-033

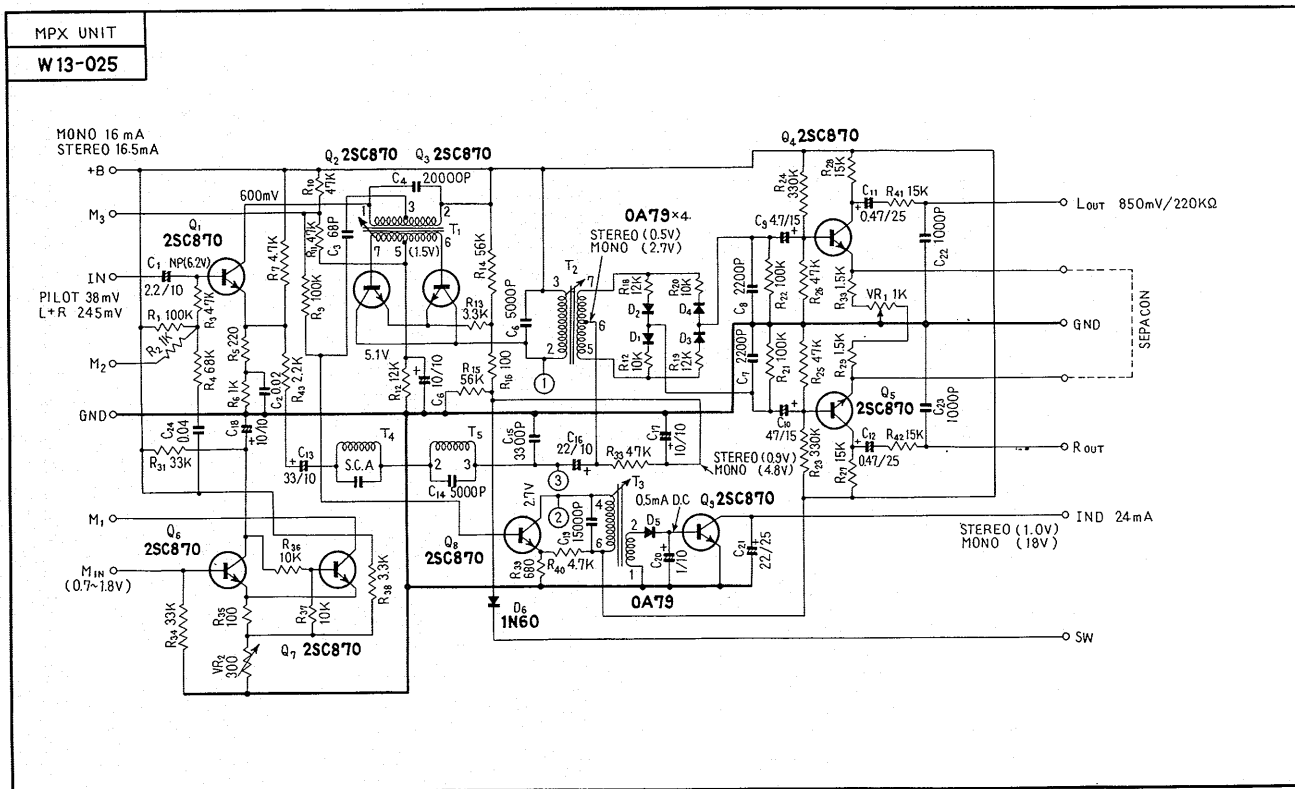


FM IF UNIT

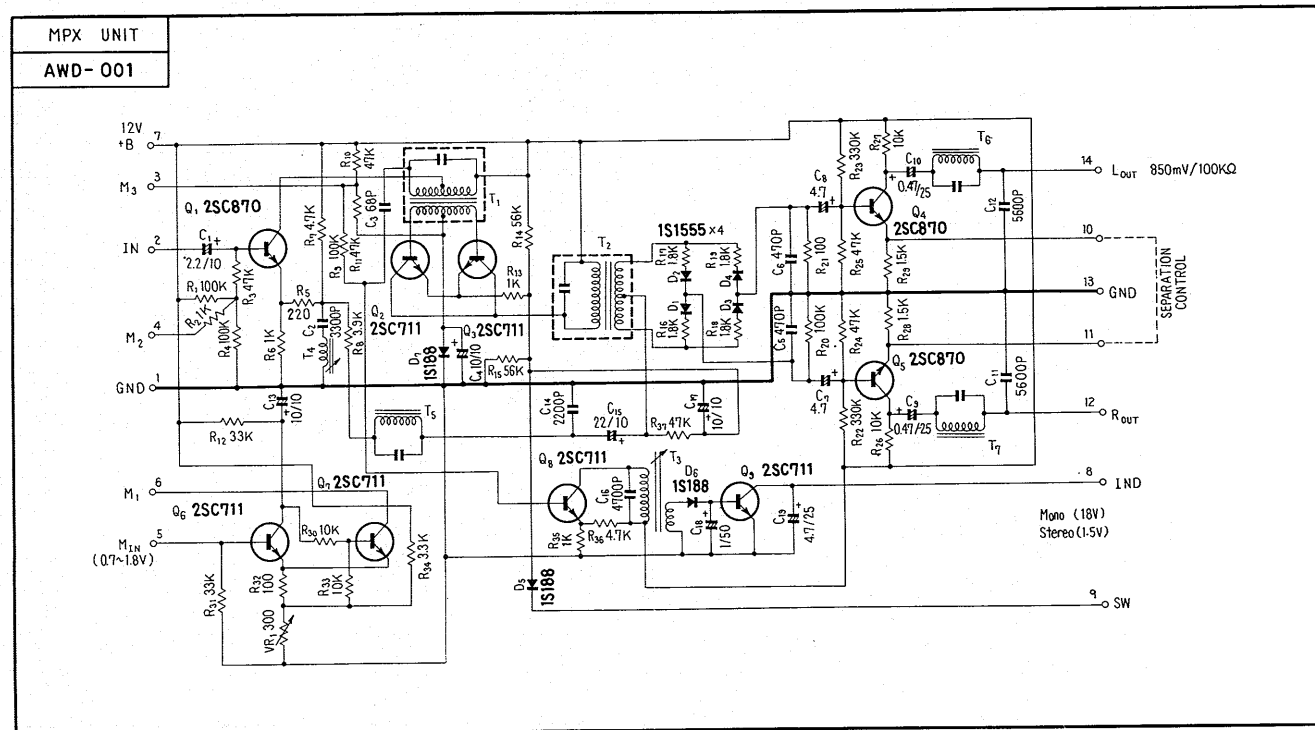
FM IF UNIT
W12-034



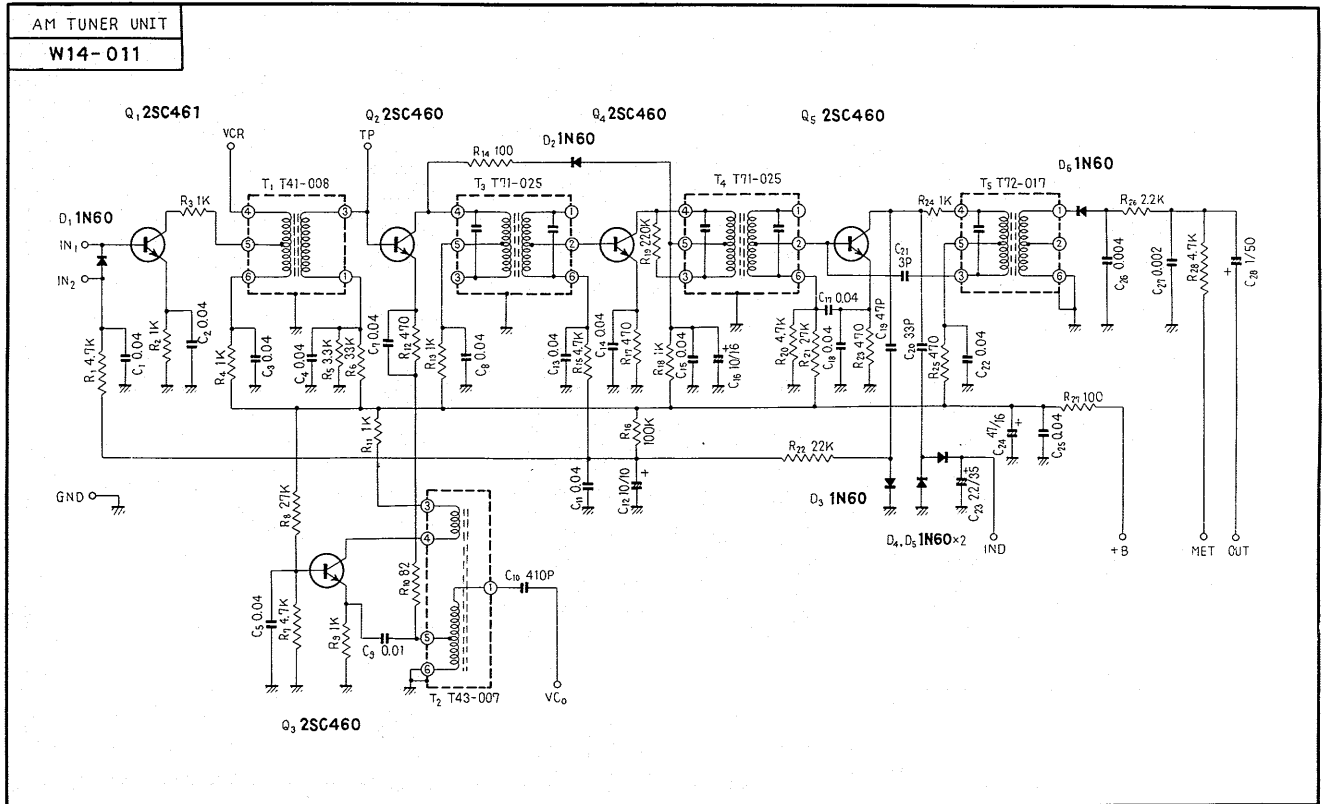
MPX UNIT for FV model



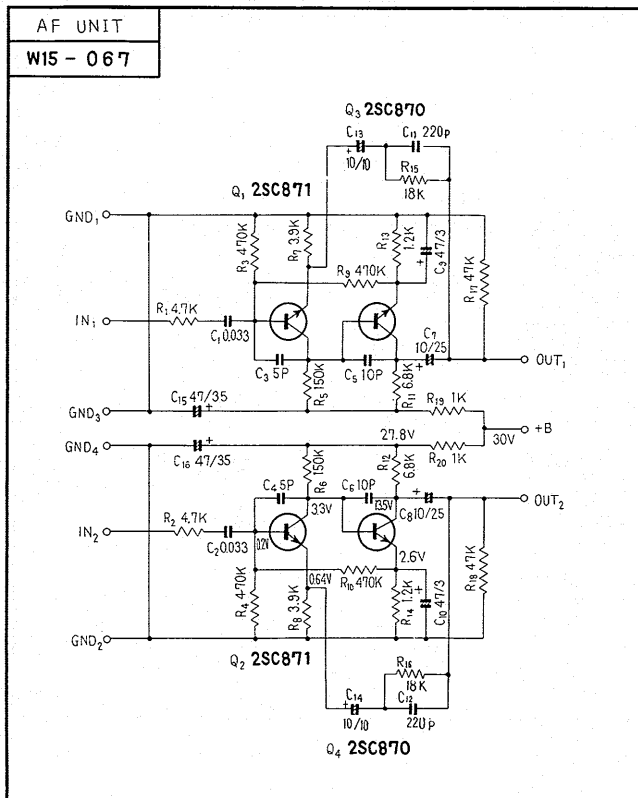
MPX UNIT



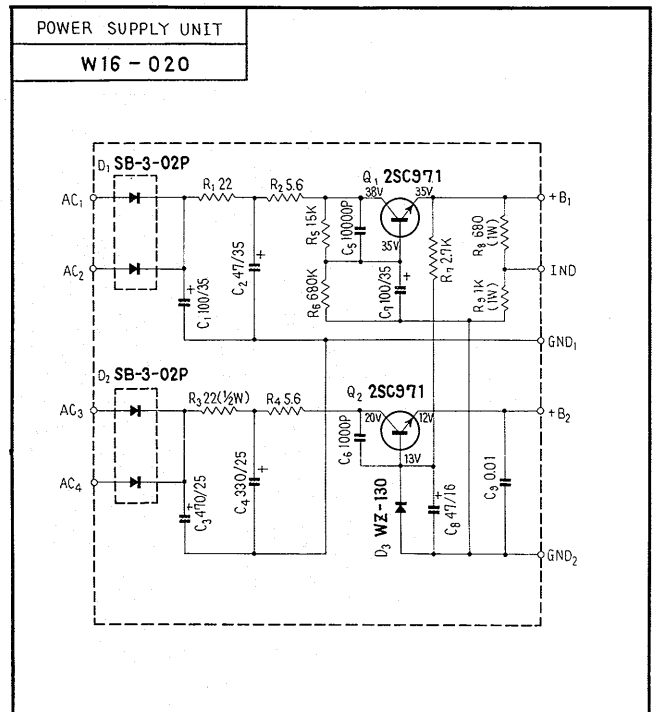
AM TUNER UNIT



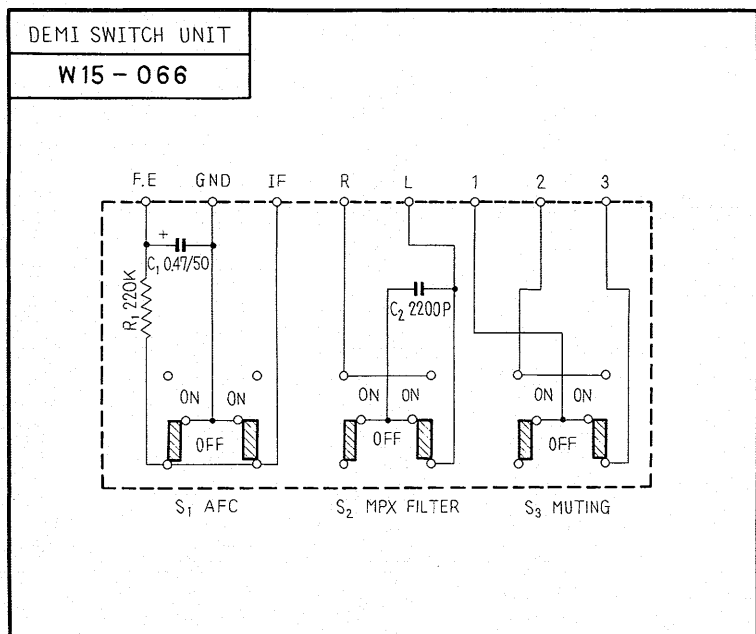
AF UNIT



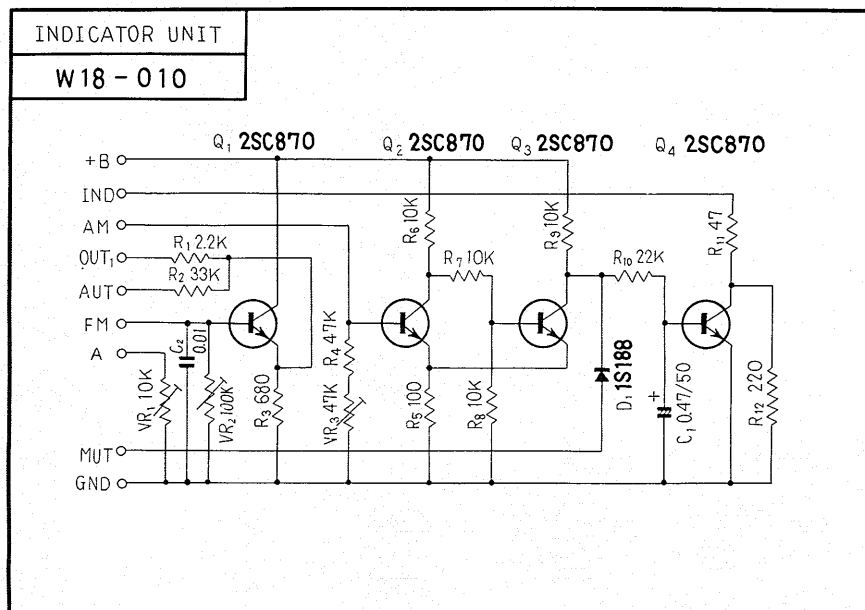
POWER SUPPLY UNIT



DEMI SWITCH UNIT

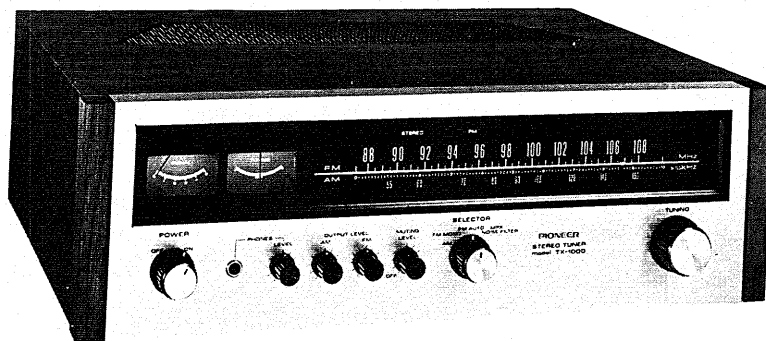


INDICATOR UNIT

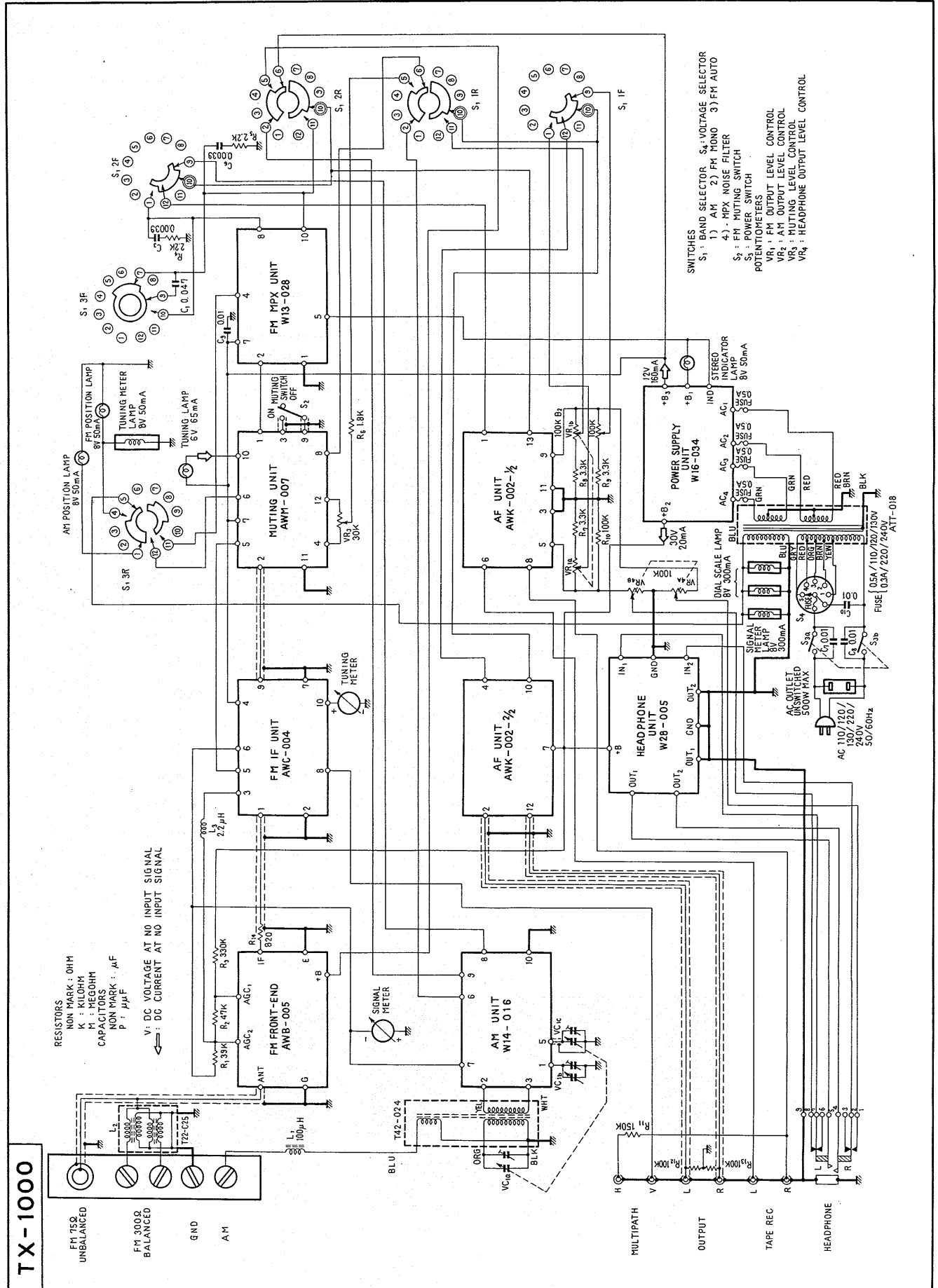


AM/FM STEREO TUNER TX-1000

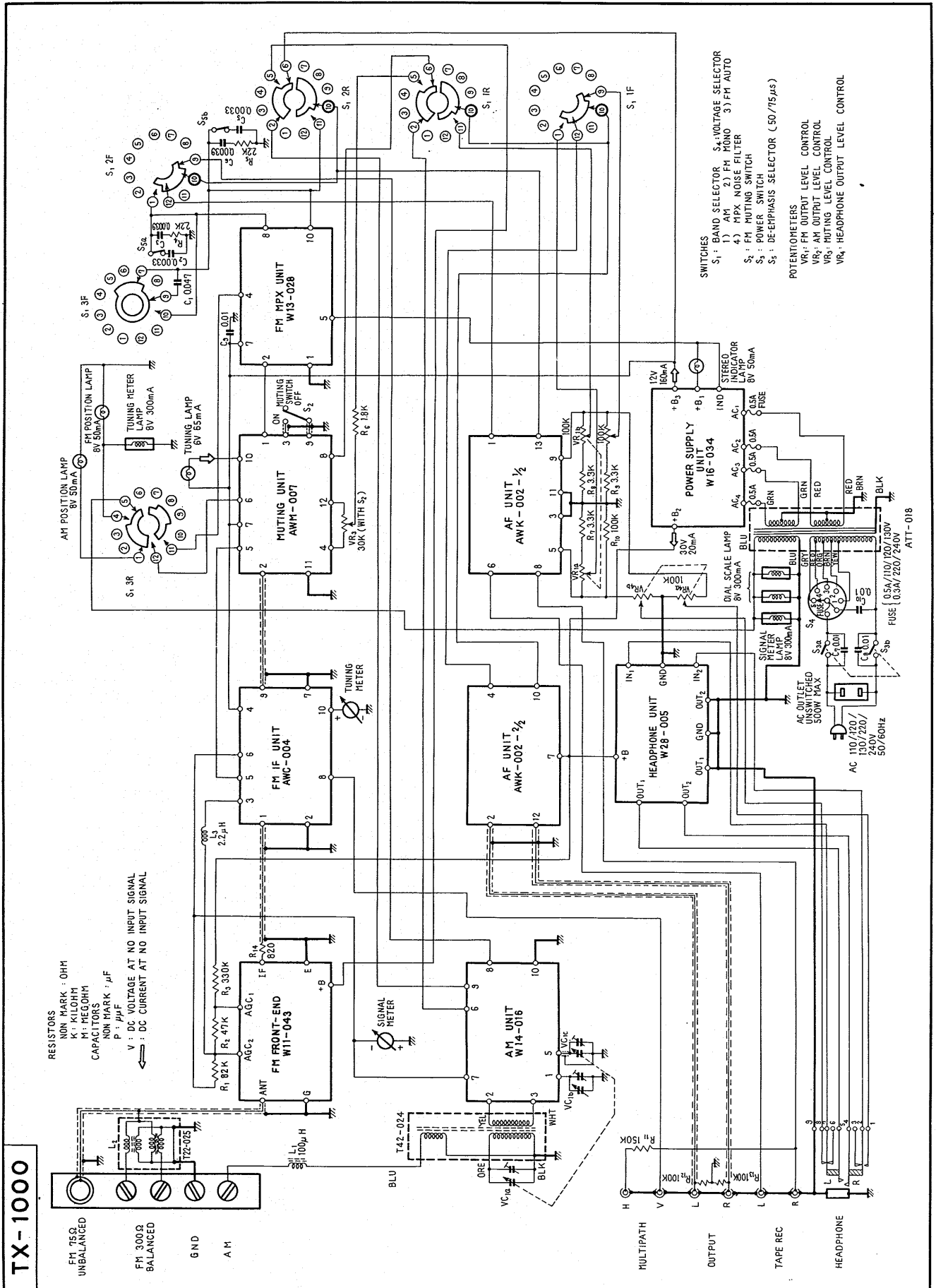
UNIT \ ROUND LABEL	FVZW	FW	KUW	KW		
FM FRONT END	AWB-005	W11-043	W11-043	W11-043		
FM IF UNIT	AWC-004	AWC-004	AWC-004	AWC-004		
MPX UNIT	W13-028	W13-028	W13-028	W13-028		
AM TUNER UNIT	W14-016	W14-016	W14-016	W14-016		
MUTING UNIT	AWM-007	AWM-007	AWM-007	AWM-007		
AF UNIT	AWK-002	AWK-002	AWK-002	AWK-002		
HEAD PHONE UNIT	W28-005	W28-005	W28-005	W28-005		
MAIN AMP UNIT						
POWER SUPPLY UNIT	W16-034	W16-034	W16-034	W16-034		
SWITCH UNIT						
SWITCH UNIT						
SWITCH UNIT						
TONE COLOR UNIT						
CONTROL UNIT						
MIC AMP UNIT						
REVERBE AMP UNIT						
REVERBE UNIT						



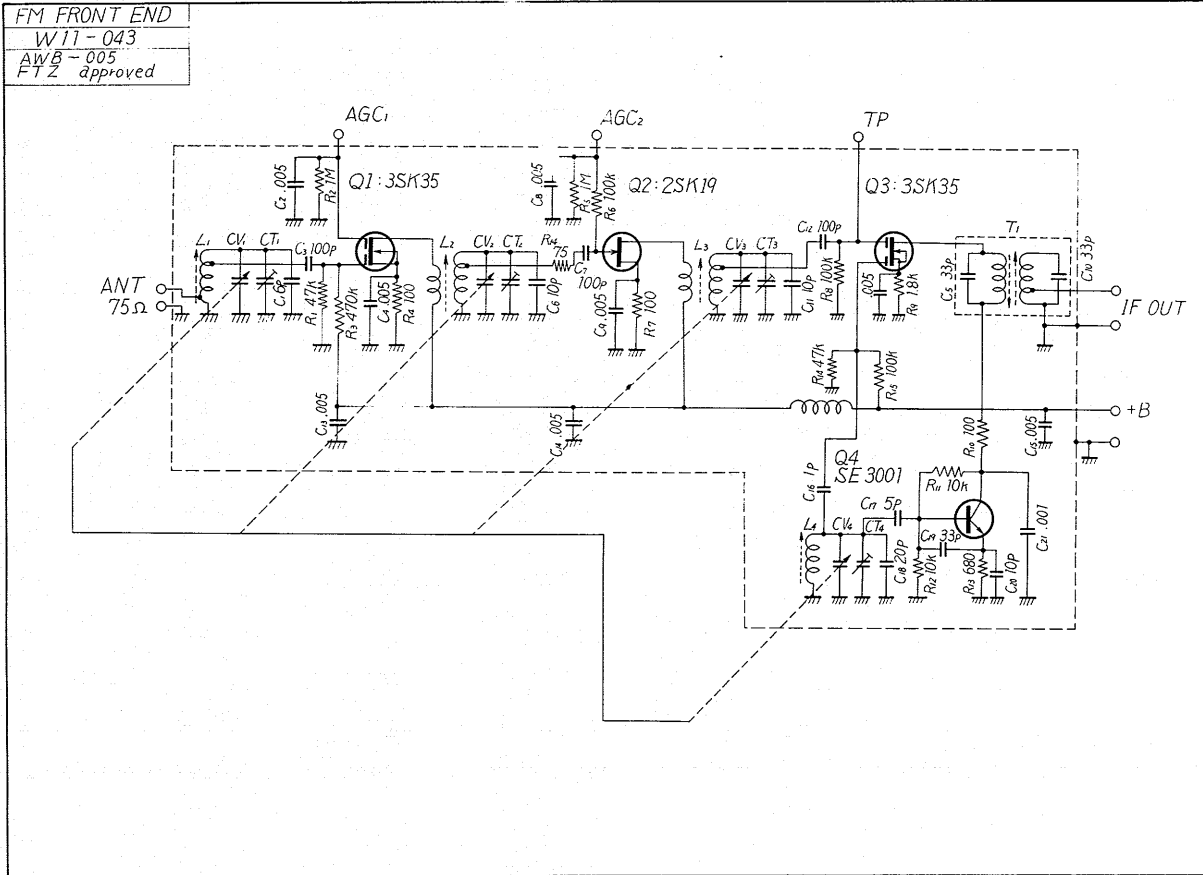
TX-1000 for FVZW model



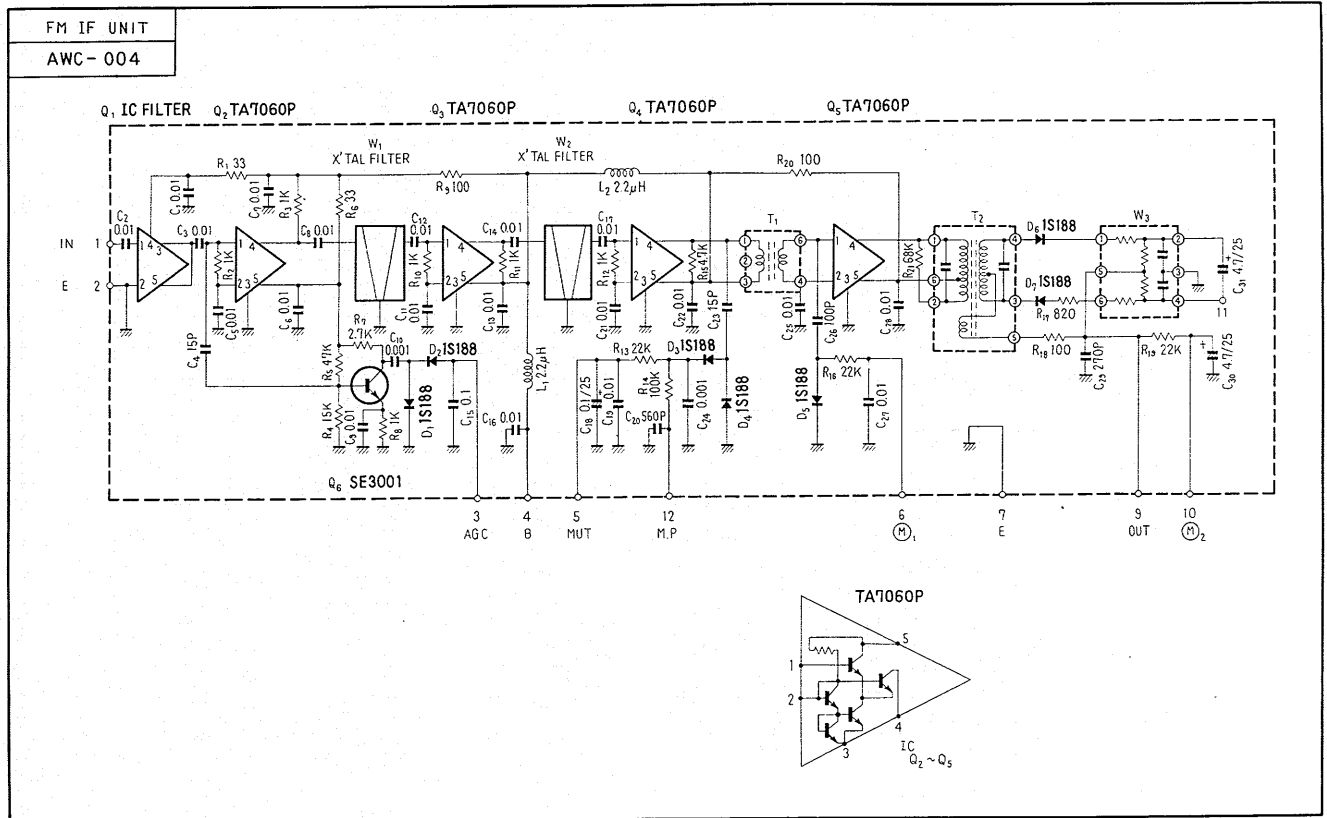
TX-1000 for FW model



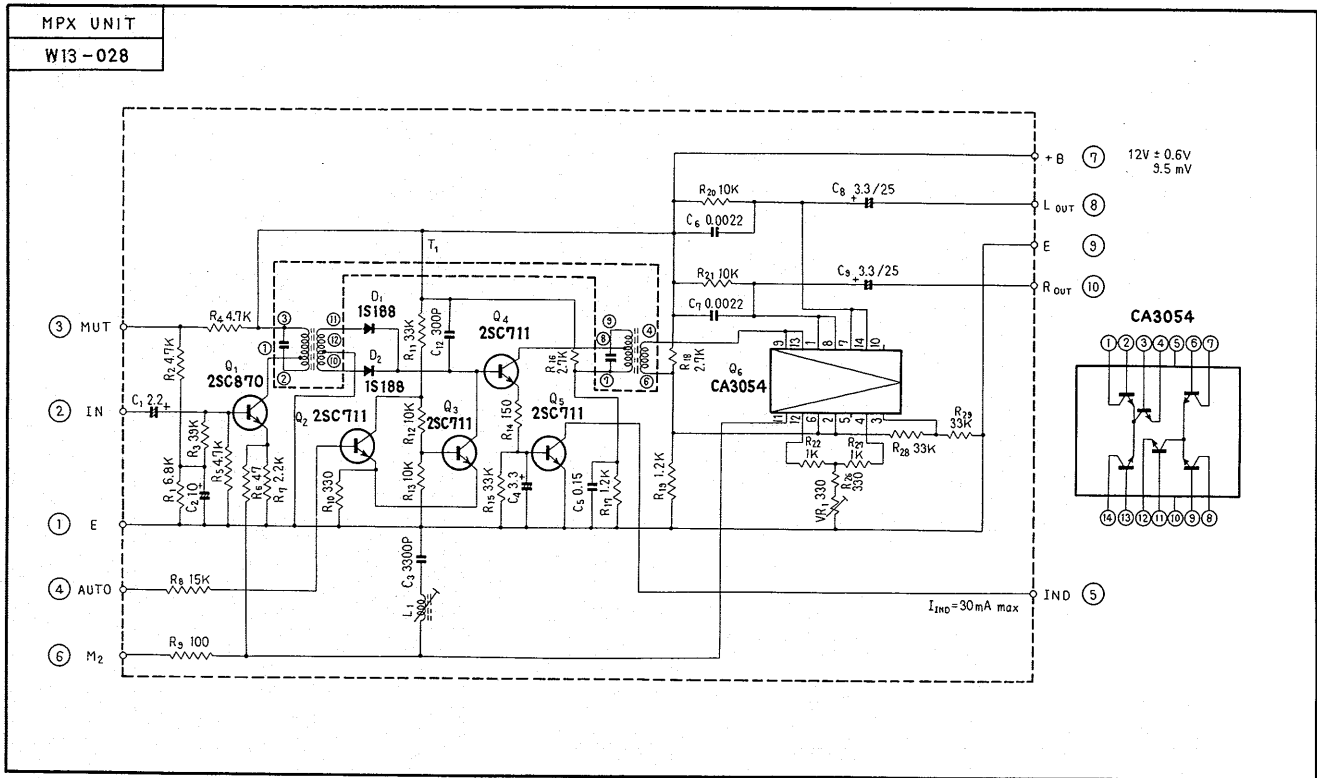
FM FRONT END



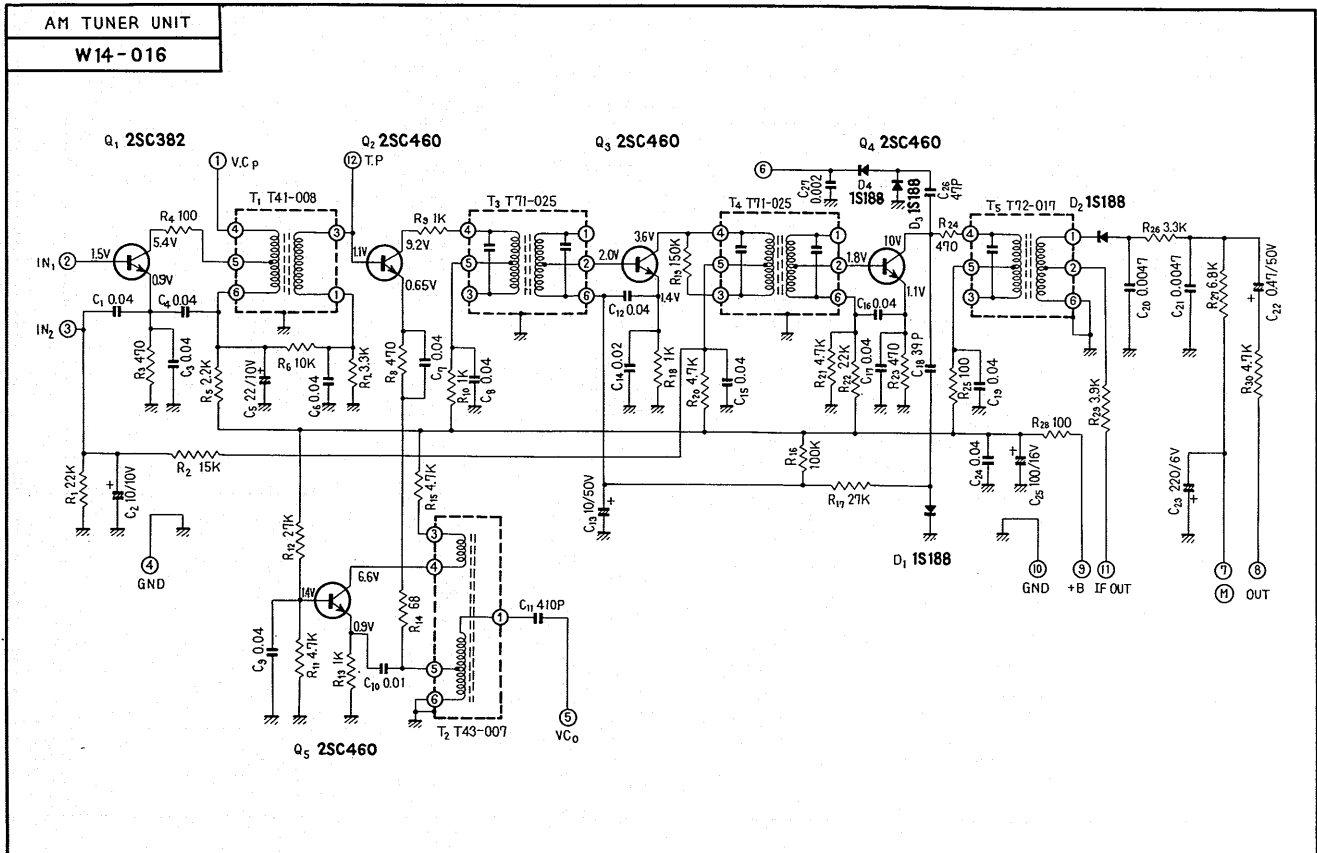
FM IF UNIT



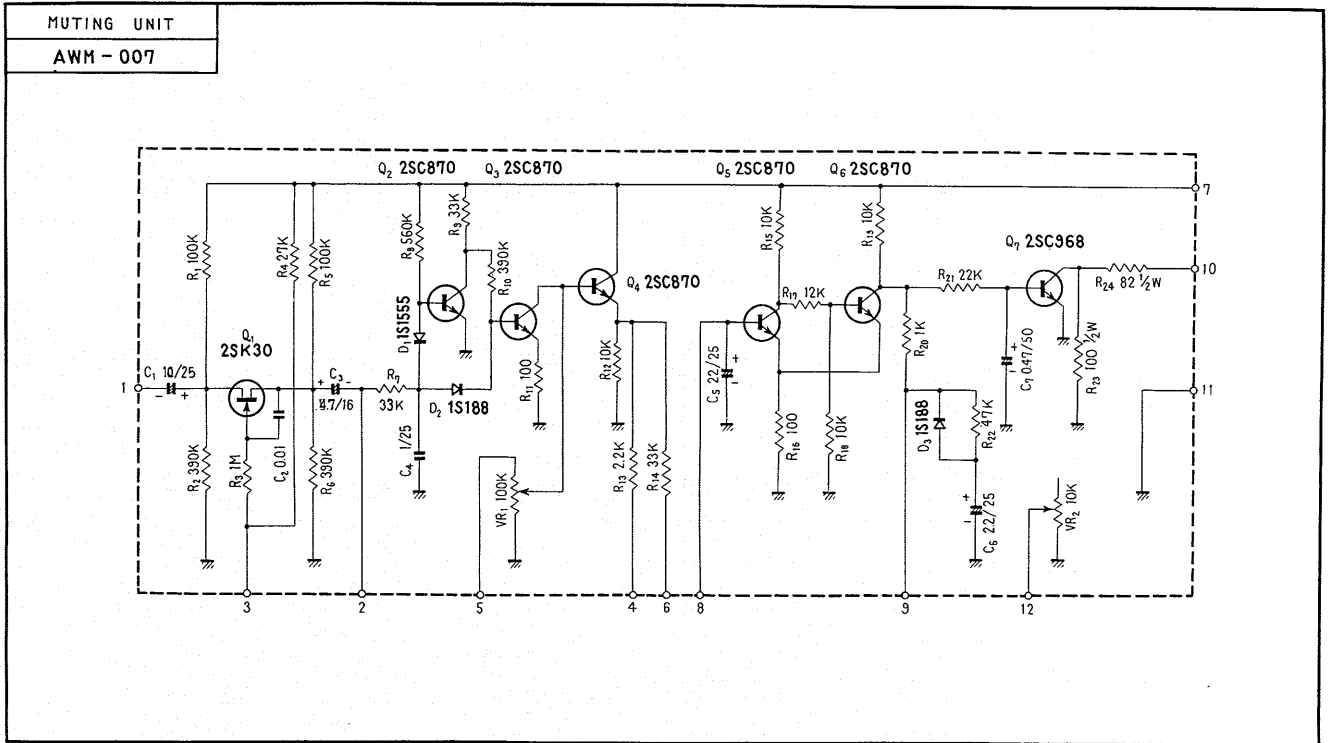
MPX UNIT



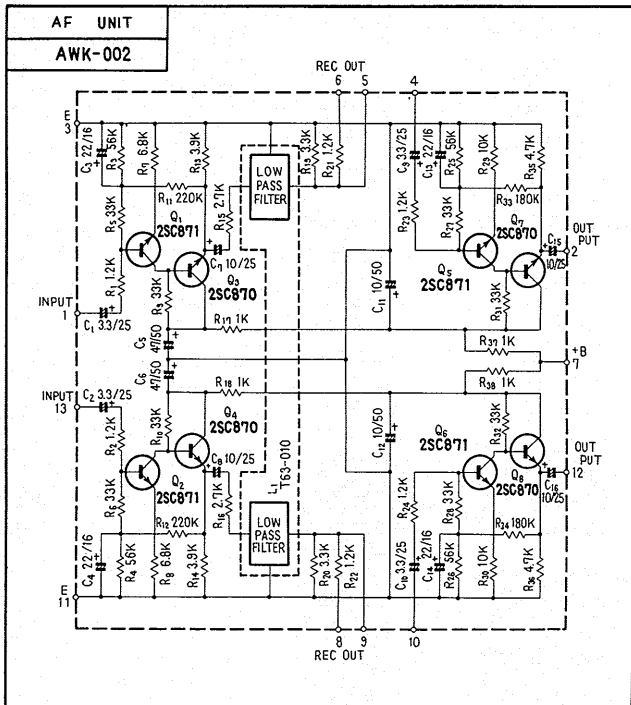
AM TUNER UNIT



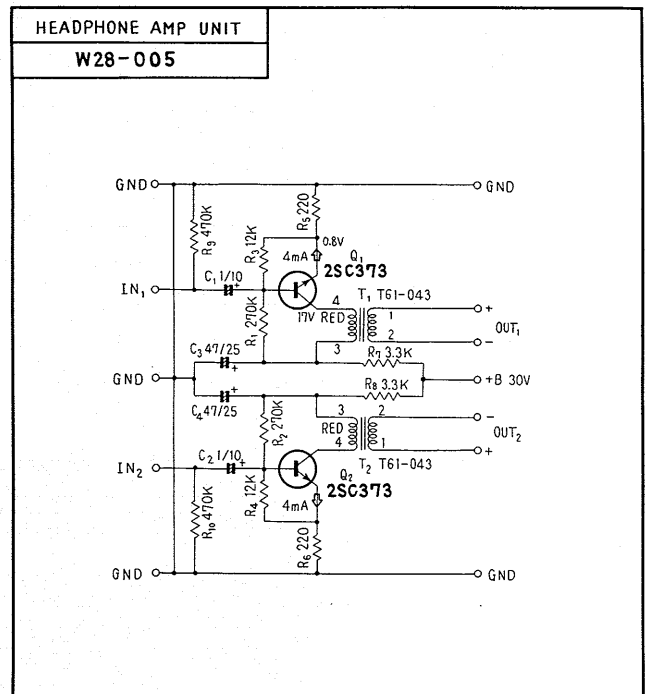
MUTING UNIT



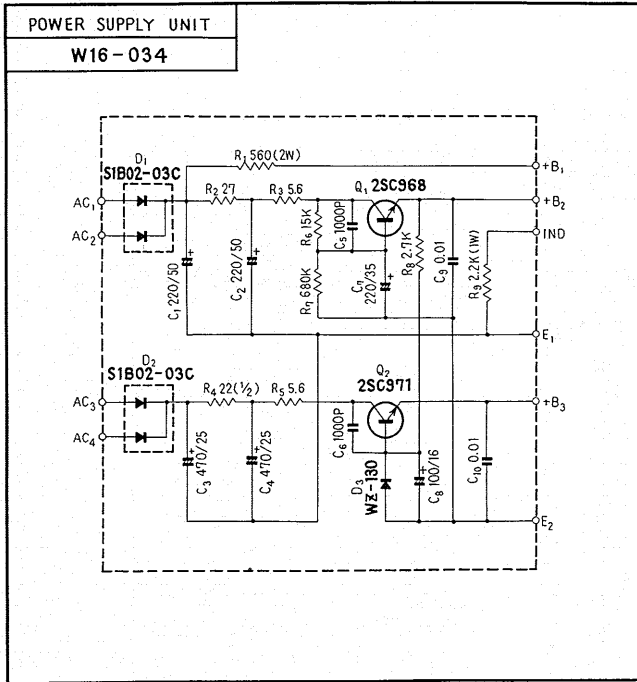
AF UNIT



HEADPHONE UNIT

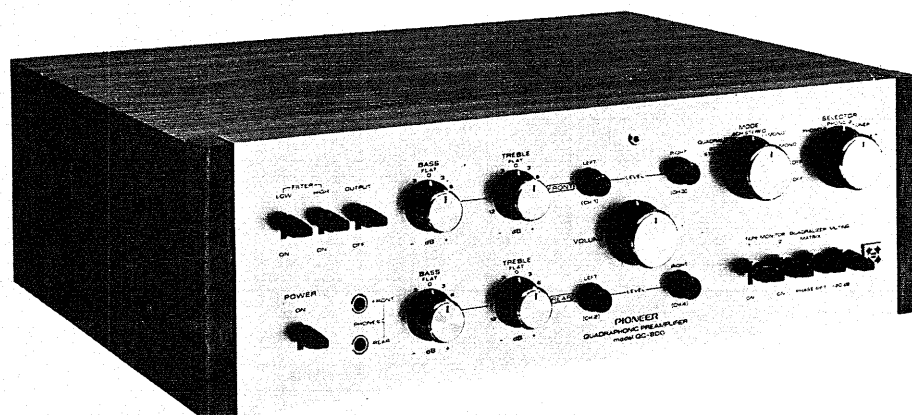


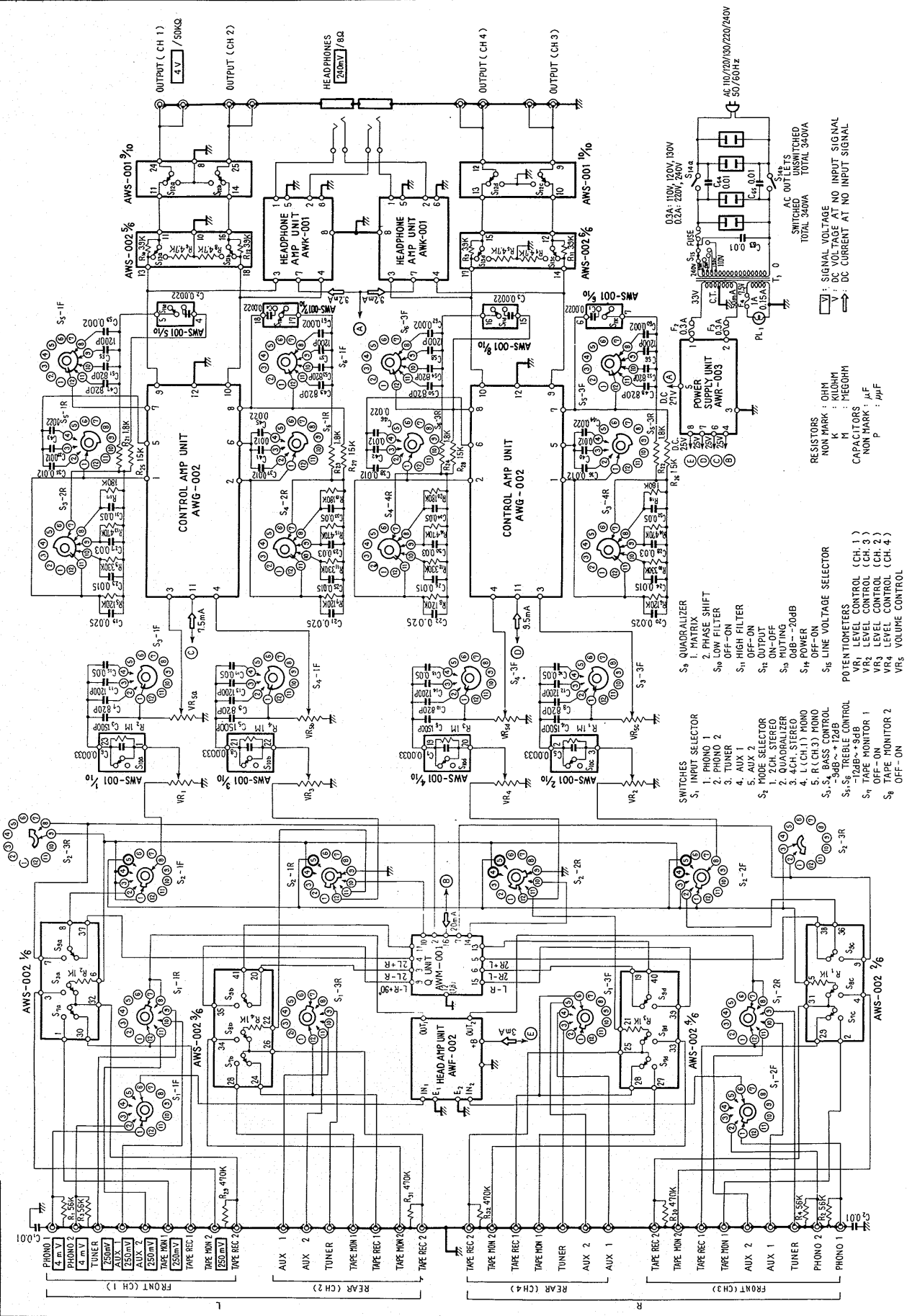
POWER SUPPLY UNIT



QUADRAPHONIC PREAMPLIFIER QC-800

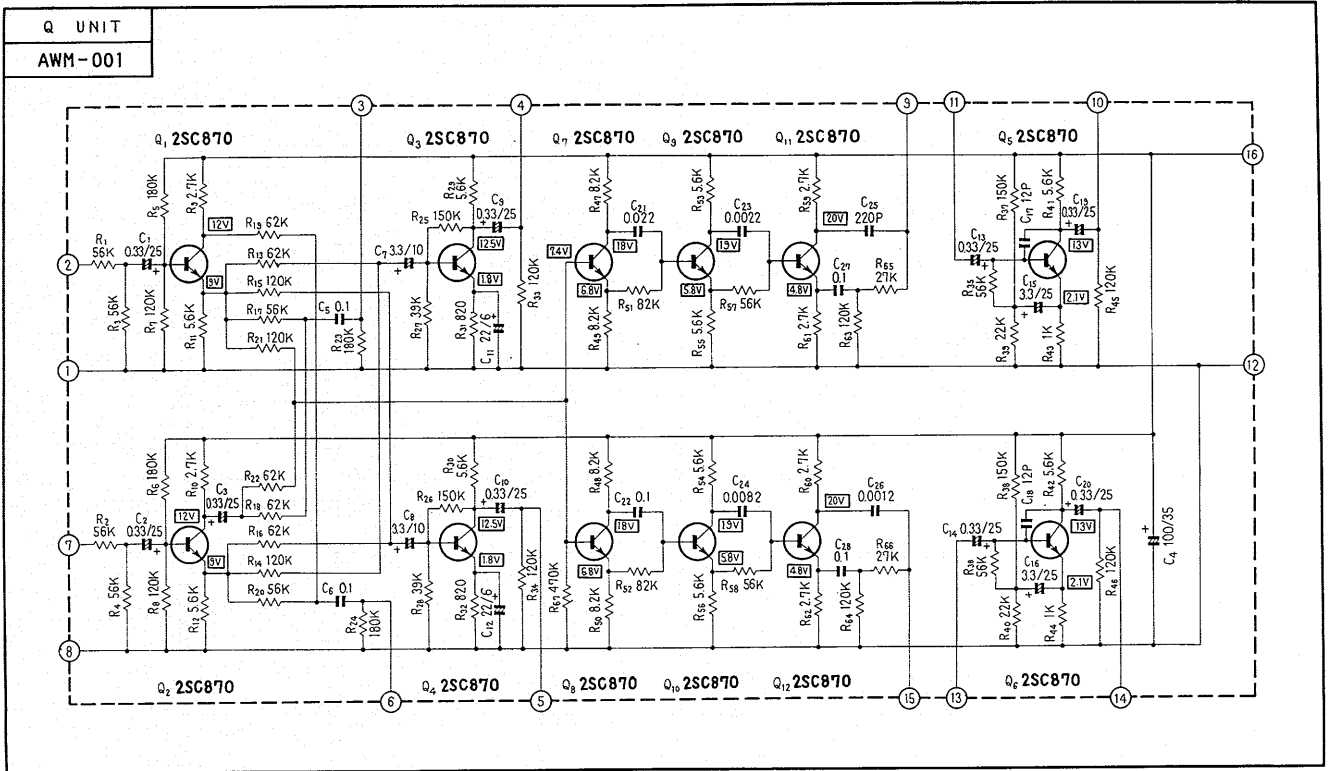
UNIT	ROUND LABEL	FVW					
FM FRONT END							
FM IF UNIT							
MPX UNIT							
AM TUNER UNIT							
Q UNIT		AWM-001					
HEAD AMP UNIT		AWF-002					
CONTROL AMP UNIT		AWG-002					
MAIN AMP UNIT							
POWER SUPPLY UNIT		AWR-003					
SWITCH UNIT		AWS-001					
SWITCH UNIT		AWS-002					
SWITCH UNIT							
HEAD PHONE UNIT		AWK-001					
CONTROL UNIT							
MIC AMP UNIT							
REVERBE AMP UNIT							
REVERBE UNIT							



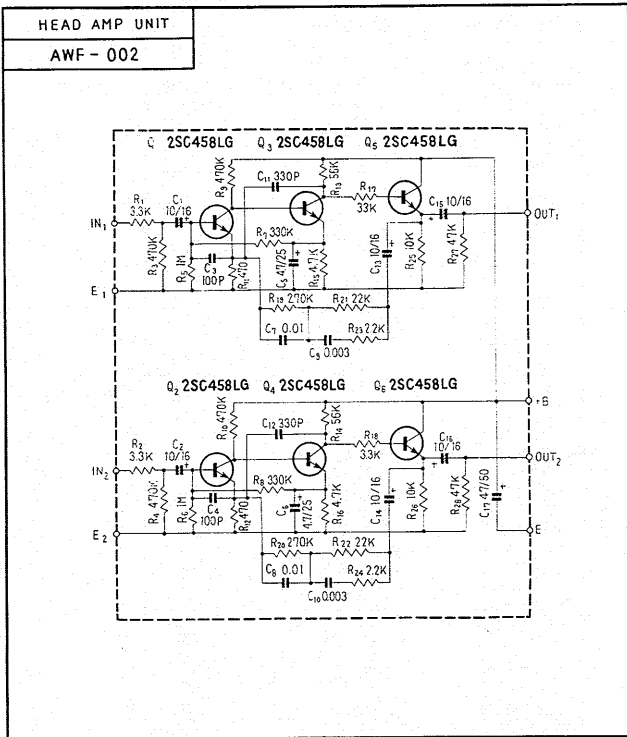


- RESISTORS
 NON MARK : OHM
 M : MEGOHM
 CAPACITORS
 NON MARK : μF
 P : pμF
- SWITCHES
 S₁ INPUT SELECTOR
 1. PHONO 1
 2. PHONO 2
 3. TUNER
 4. AUX 1
 5. AUX 2
 S₂ MODE SELECTOR
 1. 2CH. STEREO
 2. QUADRALIZER
 3. 4CH. STEREO
 4. L (CH.1) PHONO
 5. R (CH.3) PHONO
 S₃ S₄ BASS CONTROL
 S₅ TREBLE CONTROL
 S₆ -10dB/+6dB
 S₇ TAPE MONITOR 1
 OFF-ON
 S₈ TAPE MONITOR 2
 OFF-ON
- POTENTIOMETERS
 VR₁ LEVEL CONTROL (CH. 1)
 VR₂ LEVEL CONTROL (CH. 2)
 VR₃ LEVEL CONTROL (CH. 3)
 VR₄ LEVEL CONTROL (CH. 4)
 VR₅ VOLUME CONTROL
- AC OUTPUTS
 SWITCHED TOTAL 340VA
 UNSWITCHED TOTAL 340VA
- AC 110/120/130/220/240V
 50/60Hz
- 0.3A: 110V, 120V, 130V
 0.2A: 220V, 240V
- 0.3A FUSE
 0.2A FUSE
- AC 110/120/130/220/240V
 50/60Hz

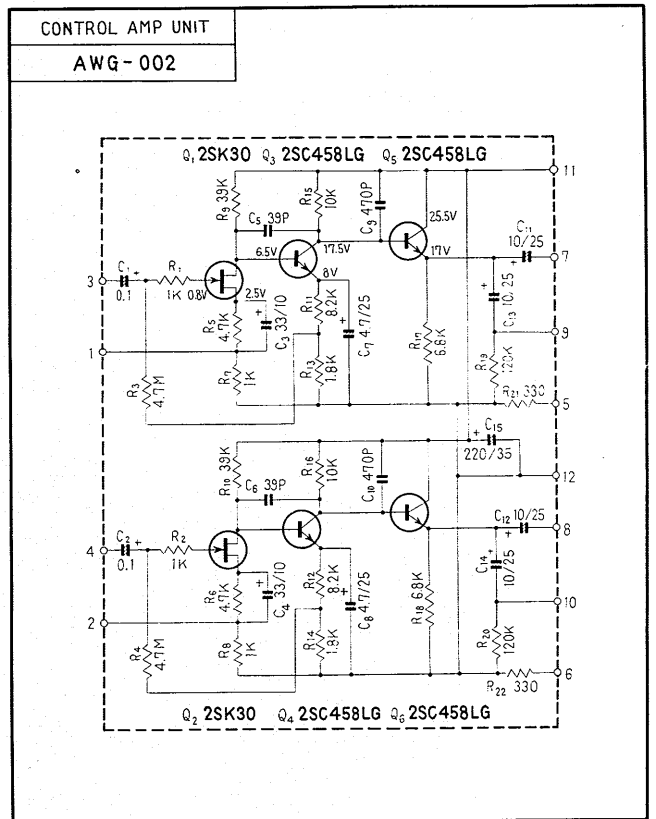
Q UNIT



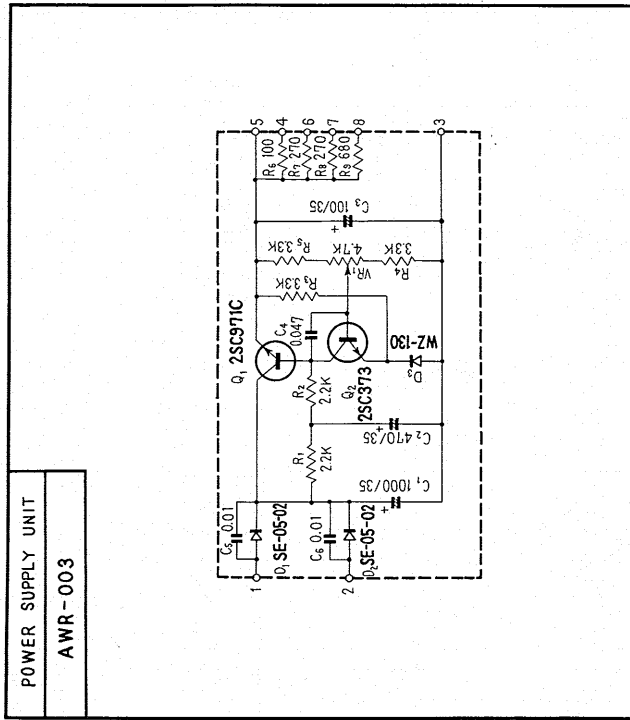
HEAD AMP UNIT



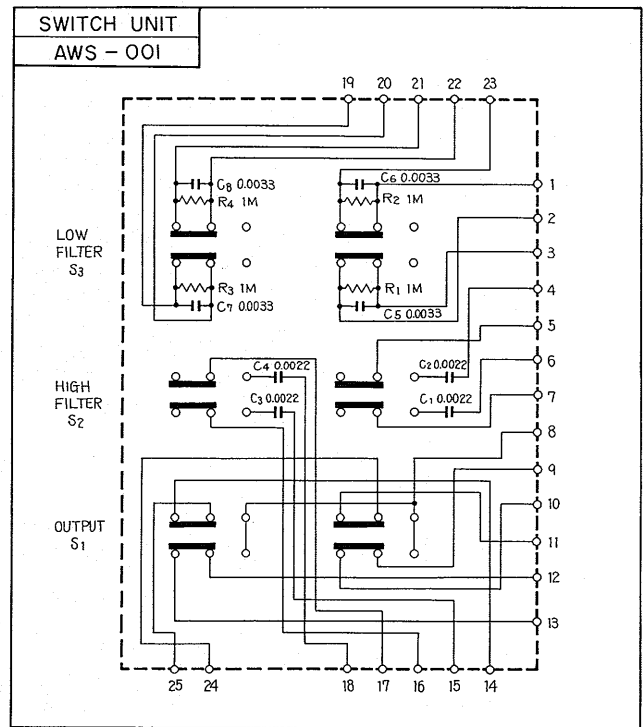
CONTROL AMP UNIT



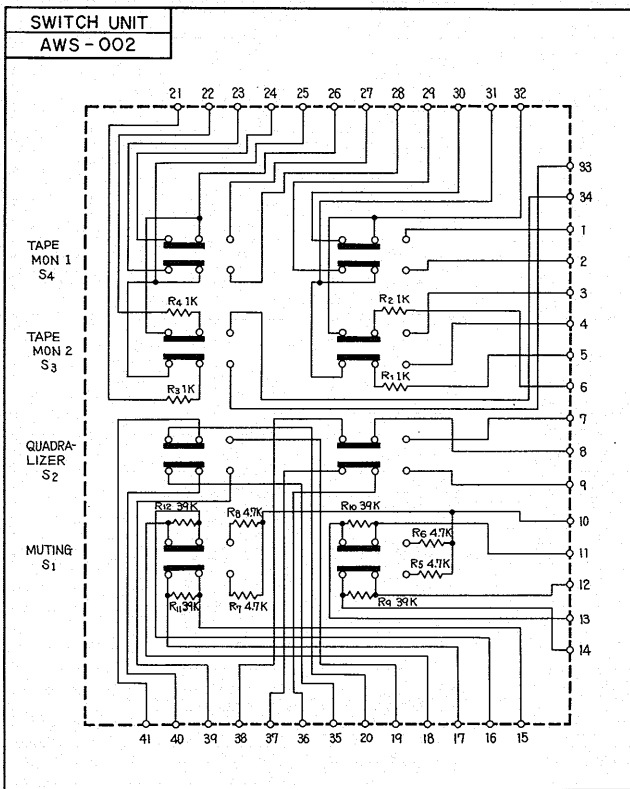
POWER SUPPLY UNIT



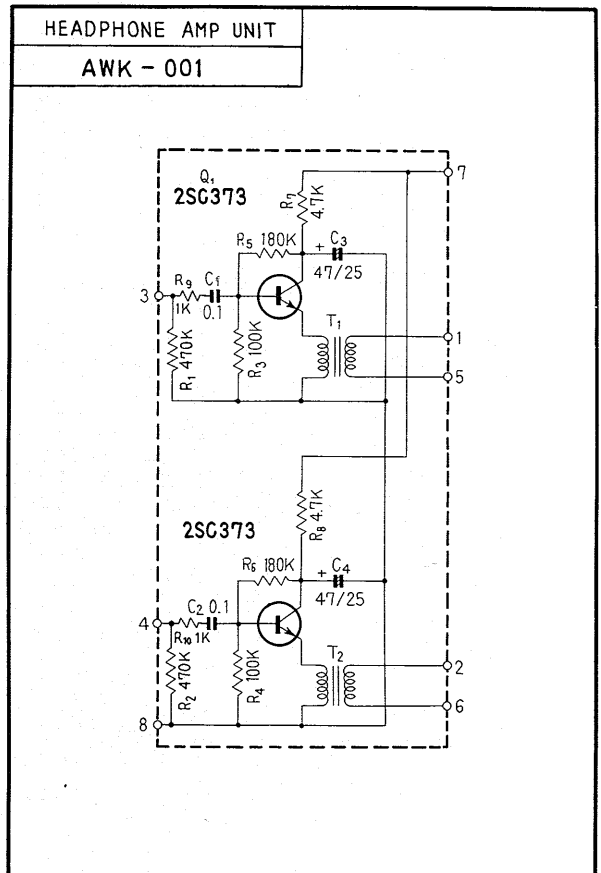
SWITCH UNIT



SWITCH UNIT



HEADPHONE AMP UNIT

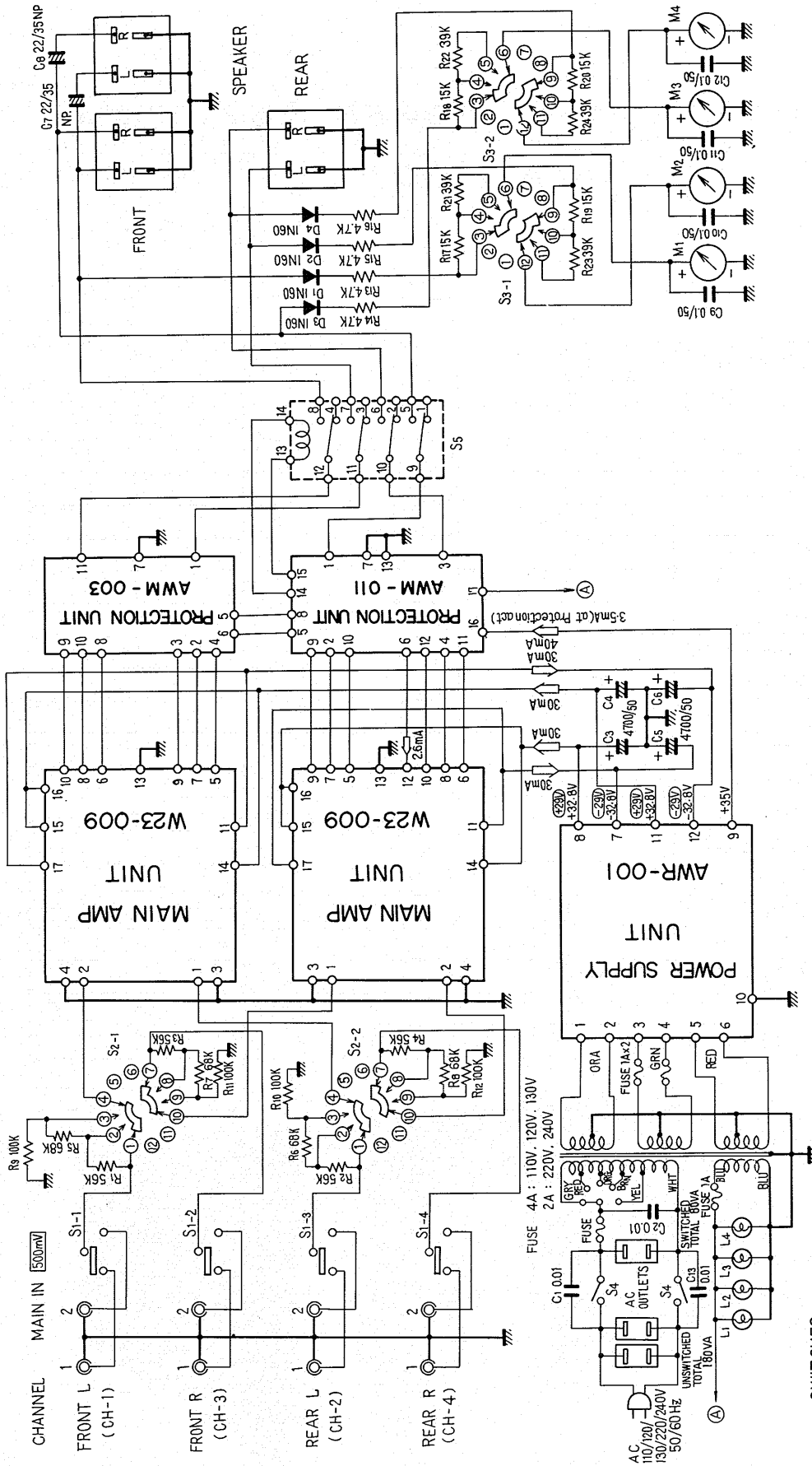


QUADRAPHONIC POWER AMPLIFIER QM-800

UNIT	ROUND LABEL	FVW					
FM FRONT END							
FM IF UNIT							
MPX UNIT							
AM TUNER UNIT							
MUTING UNIT							
HEAD AMP UNIT							
CONTROL AMP UNIT							
MAIN AMP UNIT		W23-009					
POWER SUPPLY UNIT		AWR-001					
SWITCH UNIT							
SWITCH UNIT							
SWITCH UNIT							
TONE COLOR UNIT							
CONTROL UNIT							
MIC AMP UNIT							
REVERBE AMP UNIT							
PROTECTION UNIT		AWM-003					
PROTECTION UNIT		AWM-011					

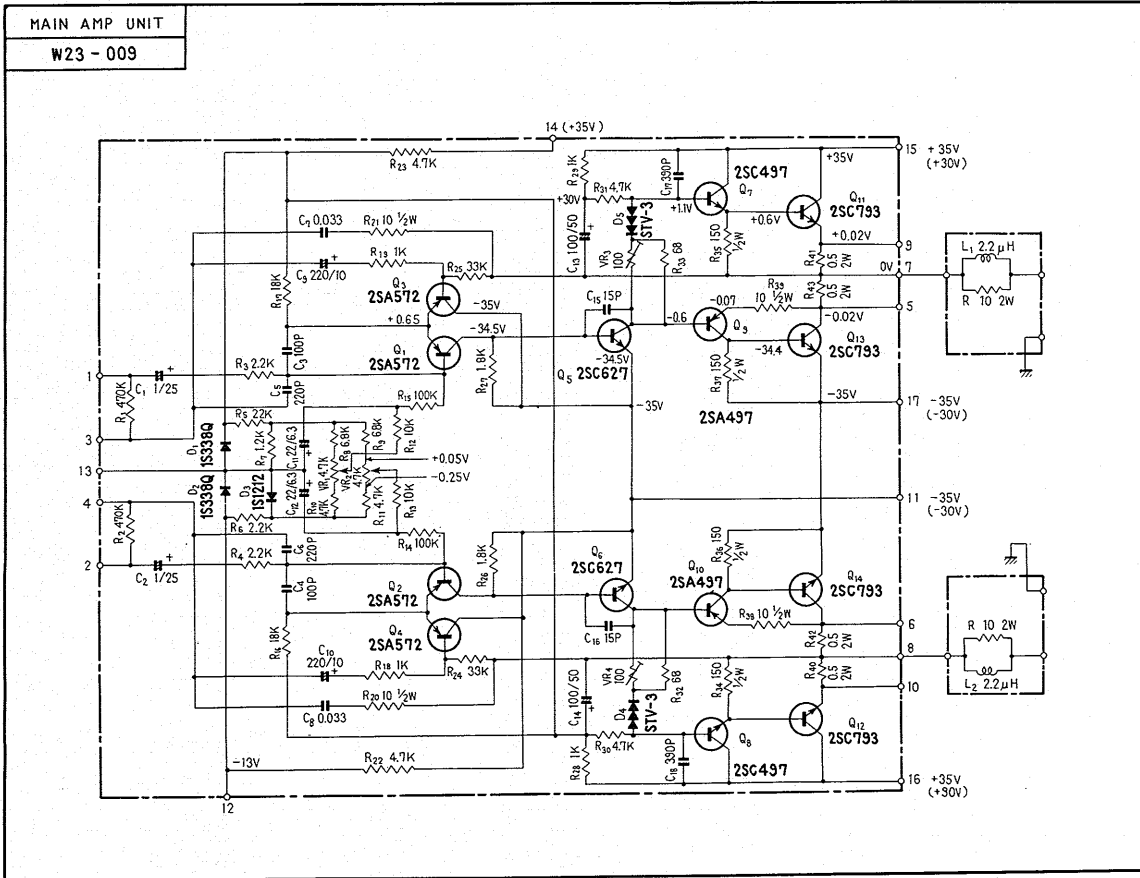


QM - 800

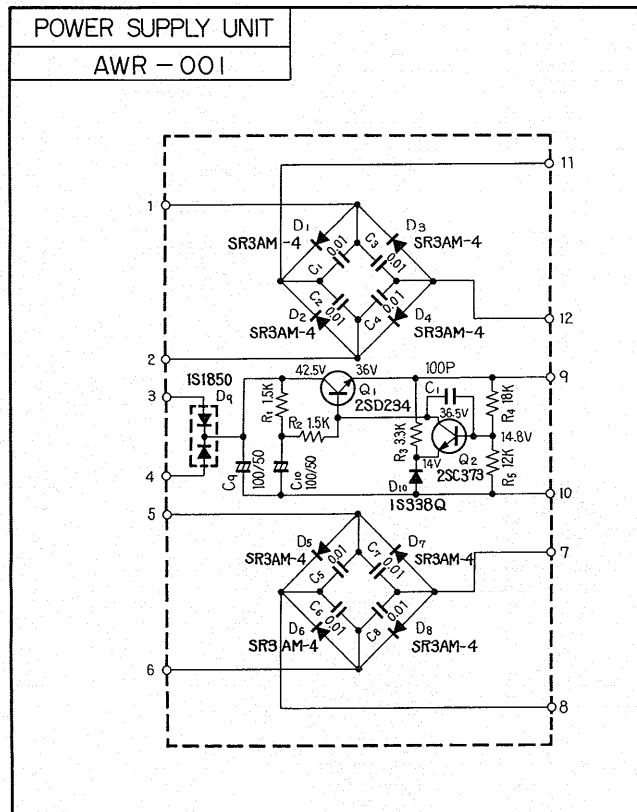


- SWITCHES**
- S1 INPUT SELECTOR 1, 2.
 - S2 INPUT LEVEL (1) 0.5V (2) 1.0V (3) 2.0V
 - S3 METER LEVEL (1) -20 dB (2) -10 dB (3) 0 dB
 - S4 POWER SW.
 - S5 RELAY
- RESISTORS**
- NON MARK : OHM
 - K : KILOHM
 - M : MEGOHM
- CAPACITORS**
- NON MARK : μ F
 - P : μ F
- V** : SIGNAL VOLTAGE AT 35W/8 Ω OUTPUT
V : DC VOLTAGE AT NO INPUT SIGNAL
↑ : DC CURRENT AT NO INPUT SIGNAL
⊖ : DC VOLTAGE AT MAX INPUT SIGNAL

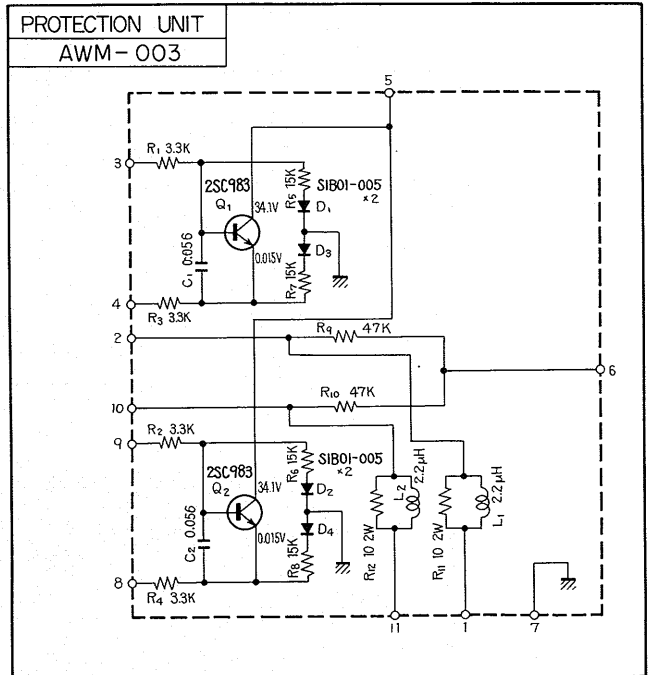
MAIN AMP UNIT



POWER SUPPLY UNIT

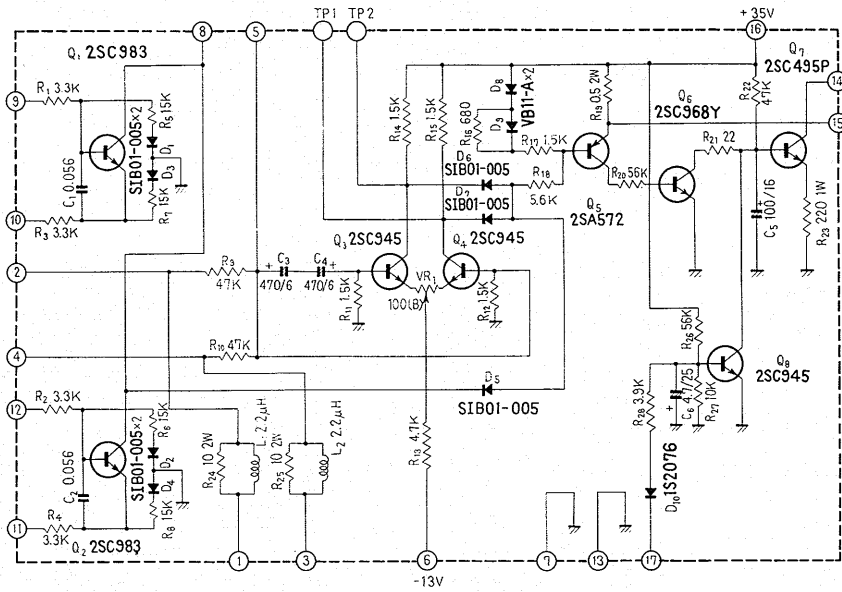


PROTECTION UNIT



PROTECTION UNIT

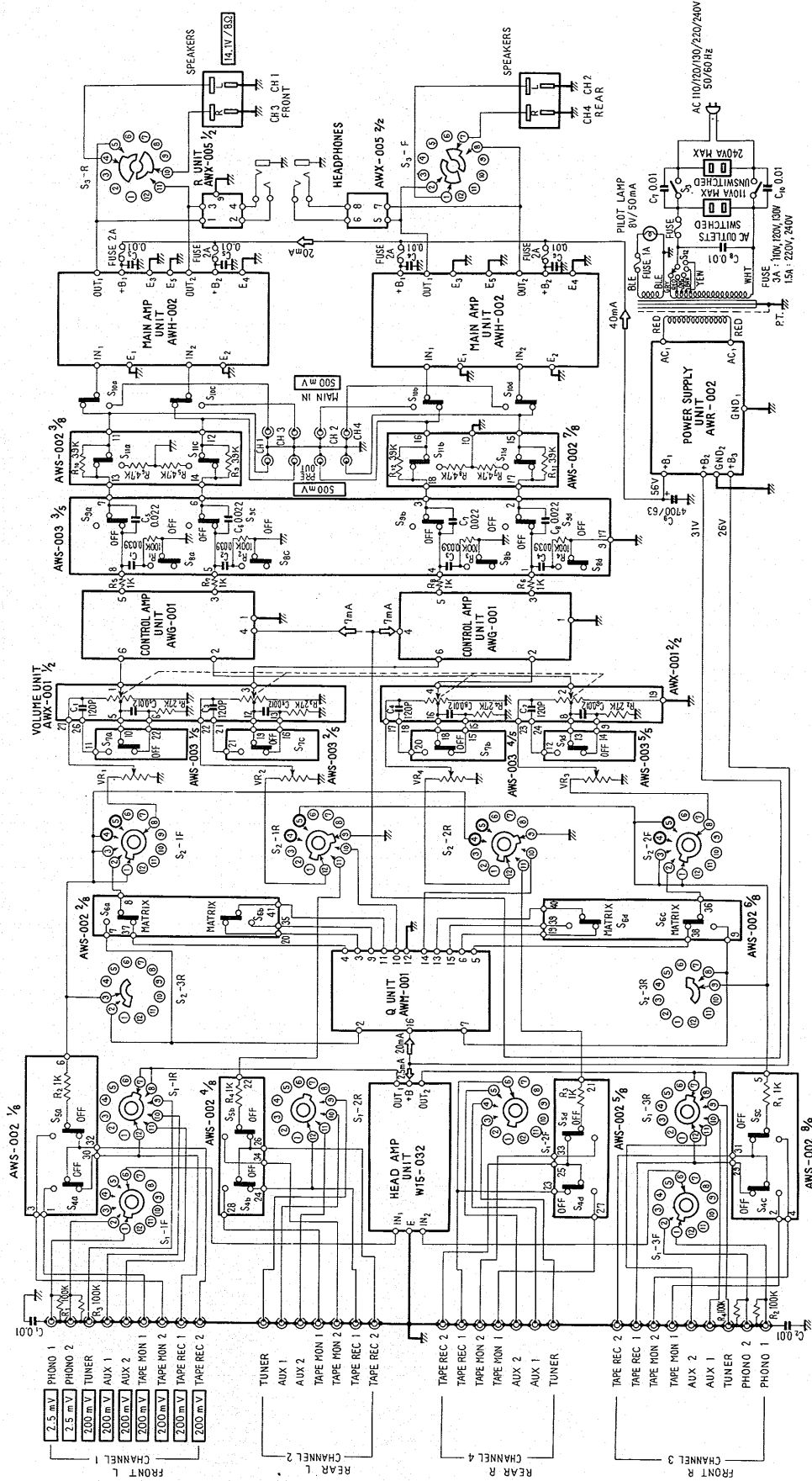
PROTECTION UNIT
AWM-011



QUADRAPHONIC AMPLIFIER QA-800

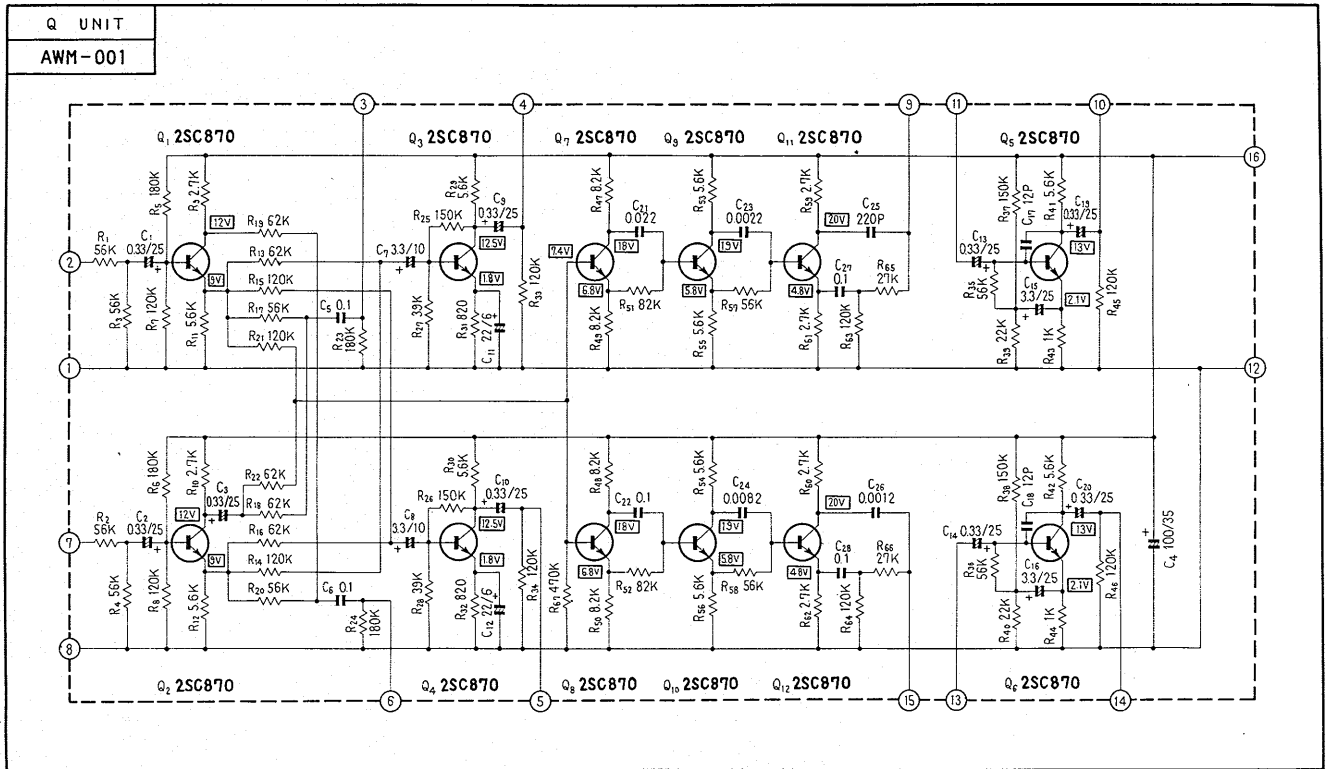
ROUND LABEL UNIT	FWW						
FM FRONT END							
FM IF UNIT							
MPX UNIT							
AM TUNER UNIT							
Q UNIT	AWM-001						
HEAD AMP UNIT	W15-032						
CONTROL AMP UNIT	AWG-001						
MAIN AMP UNIT	AWH-002						
POWER SUPPLY UNIT	AWR-002						
SWITCH UNIT	AWS-002						
SWITCH UNIT	AWS-003						
SWITCH UNIT							
VR UNIT	AWX-001						
R UNIT	AWX-005						
MIC AMP UNIT							
REVERBE AMP UNIT							
REVERBE UNIT							



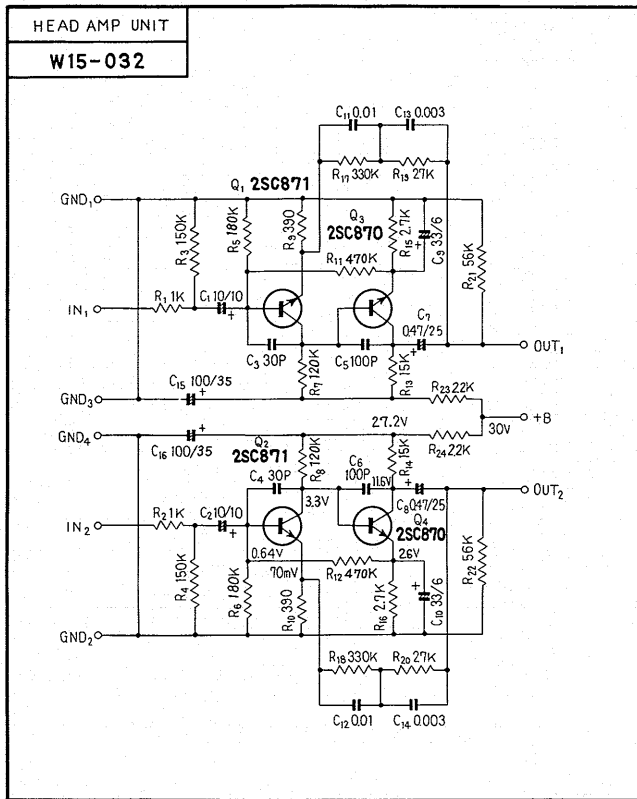


- SWITCHES**
 S₁ : SELECTOR
 (1) PHONO 1
 (2) PHONO 2
 (3) TUNER
 (4) AUX 1
 (5) AUX 2
- SPEAKERS**
 S₁ : SPEAKERS
 (1) FRONT
 (2) REAR
- MODE**
 S₂ : MODE
 (1) 2 CH STEREO
 (2) QUADRAPHONIZER
 (3) 4 CH STEREO
 (4) AUX 1
 (5) 4 CH-1) MONO
 (5) 4 CH-3) MONO
- PHASE SHIFT**
 S₃ : PHASE SHIFT
 (1) PHASE SHIFT OFF
 (2) PHASE SHIFT ON
- LOUDNESS**
 S₄ : LOUDNESS
 (1) LOUDNESS OFF
 (2) LOUDNESS ON
- HIGH FILTER**
 S₅ : HIGH FILTER
 (1) HIGH FILTER OFF
 (2) HIGH FILTER ON
- PRE & MAIN**
 S₆ : PRE & MAIN
 (1) PRE & MAIN OFF
 (2) PRE & MAIN ON
- MUTING**
 S₁₁ : MUTING
 (1) MUTING OFF
 (2) MUTING ON
- POTENTIOMETERS**
 VR₁ : LEVEL CONTROL (CH. 1)
 VR₂ : LEVEL CONTROL (CH. 2)
 VR₃ : LEVEL CONTROL (CH. 3)
 VR₄ : LEVEL CONTROL (CH. 4)
 VR₅ : VOLUME CONTROL
- RESISTORS**
 K : KILOHM
 M : MEGOHM
 NON MARK : OHM
- CAPACITORS**
 μF : MICROFARAD
 P : PICOFARAD
- POWER SUPPLY UNIT (AWR-002)**
 AC 110/220/230/240V
 50/60 Hz
 240V MAX
 100A MAX
 AC SWITCHES
 AC OUTLETS
 FUSE
 15A : 220V, 240V
 3A : 100V, 120V, 130V
 C₁ : 0.01
 C₂ : 0.01
 C₃ : 0.01
 C₄ : 0.01
 C₅ : 0.01
 C₆ : 0.01
 C₇ : 0.01
 C₈ : 0.01
 C₉ : 0.01
 C₁₀ : 0.01
 C₁₁ : 0.01
 C₁₂ : 0.01
 C₁₃ : 0.01
 C₁₄ : 0.01
 C₁₅ : 0.01
 C₁₆ : 0.01
 C₁₇ : 0.01
 C₁₈ : 0.01
 C₁₉ : 0.01
 C₂₀ : 0.01
 C₂₁ : 0.01
 C₂₂ : 0.01
 C₂₃ : 0.01
 C₂₄ : 0.01
 C₂₅ : 0.01
 C₂₆ : 0.01
 C₂₇ : 0.01
 C₂₈ : 0.01
 C₂₉ : 0.01
 C₃₀ : 0.01
 C₃₁ : 0.01
 C₃₂ : 0.01
 C₃₃ : 0.01
 C₃₄ : 0.01
 C₃₅ : 0.01
 C₃₆ : 0.01
 C₃₇ : 0.01
 C₃₈ : 0.01
 C₃₉ : 0.01
 C₄₀ : 0.01
 C₄₁ : 0.01
 C₄₂ : 0.01
 C₄₃ : 0.01
 C₄₄ : 0.01
 C₄₅ : 0.01
 C₄₆ : 0.01
 C₄₇ : 0.01
 C₄₈ : 0.01
 C₄₉ : 0.01
 C₅₀ : 0.01
 C₅₁ : 0.01
 C₅₂ : 0.01
 C₅₃ : 0.01
 C₅₄ : 0.01
 C₅₅ : 0.01
 C₅₆ : 0.01
 C₅₇ : 0.01
 C₅₈ : 0.01
 C₅₉ : 0.01
 C₆₀ : 0.01
 C₆₁ : 0.01
 C₆₂ : 0.01
 C₆₃ : 0.01
 C₆₄ : 0.01
 C₆₅ : 0.01
 C₆₆ : 0.01
 C₆₇ : 0.01
 C₆₈ : 0.01
 C₆₉ : 0.01
 C₇₀ : 0.01
 C₇₁ : 0.01
 C₇₂ : 0.01
 C₇₃ : 0.01
 C₇₄ : 0.01
 C₇₅ : 0.01
 C₇₆ : 0.01
 C₇₇ : 0.01
 C₇₈ : 0.01
 C₇₉ : 0.01
 C₈₀ : 0.01
 C₈₁ : 0.01
 C₈₂ : 0.01
 C₈₃ : 0.01
 C₈₄ : 0.01
 C₈₅ : 0.01
 C₈₆ : 0.01
 C₈₇ : 0.01
 C₈₈ : 0.01
 C₈₉ : 0.01
 C₉₀ : 0.01
 C₉₁ : 0.01
 C₉₂ : 0.01
 C₉₃ : 0.01
 C₉₄ : 0.01
 C₉₅ : 0.01
 C₉₆ : 0.01
 C₉₇ : 0.01
 C₉₈ : 0.01
 C₉₉ : 0.01
 C₁₀₀ : 0.01

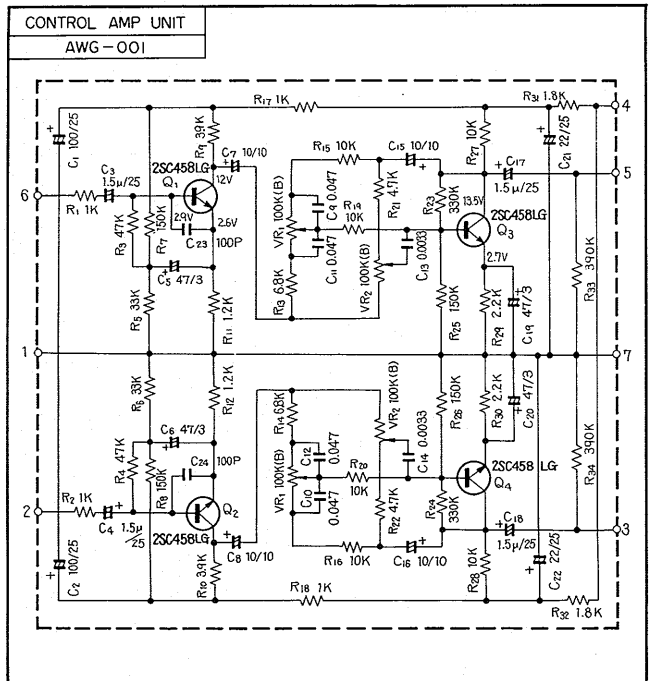
Q UNIT



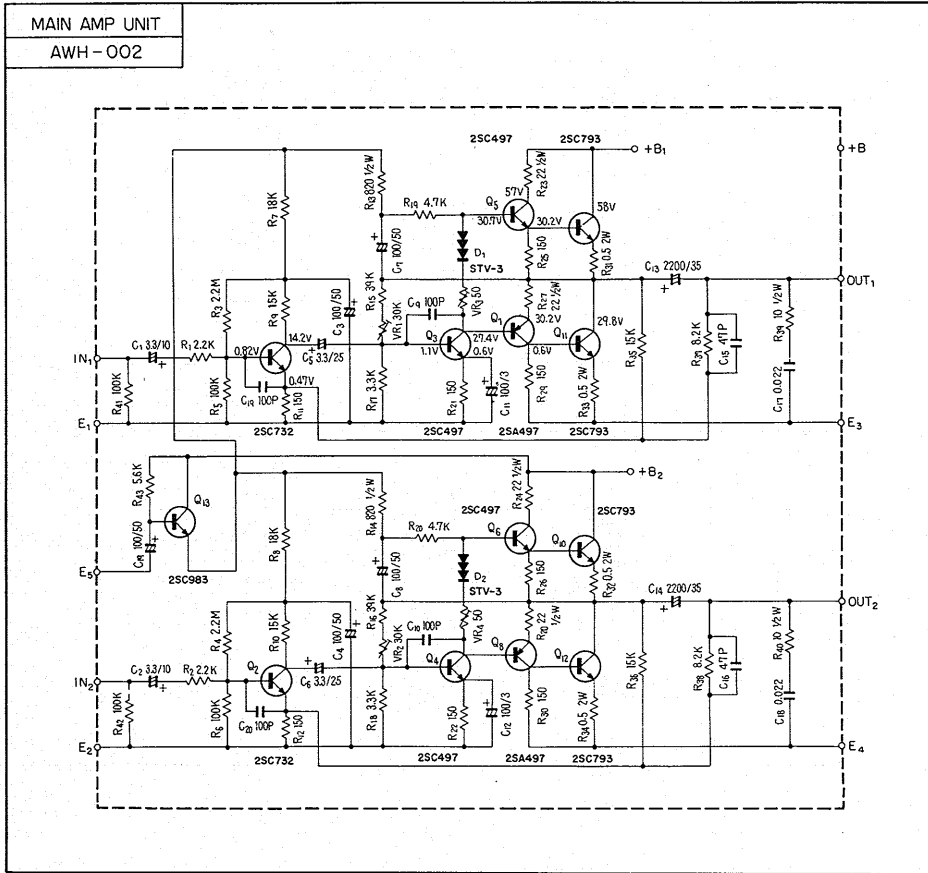
HEAD AMP UNIT



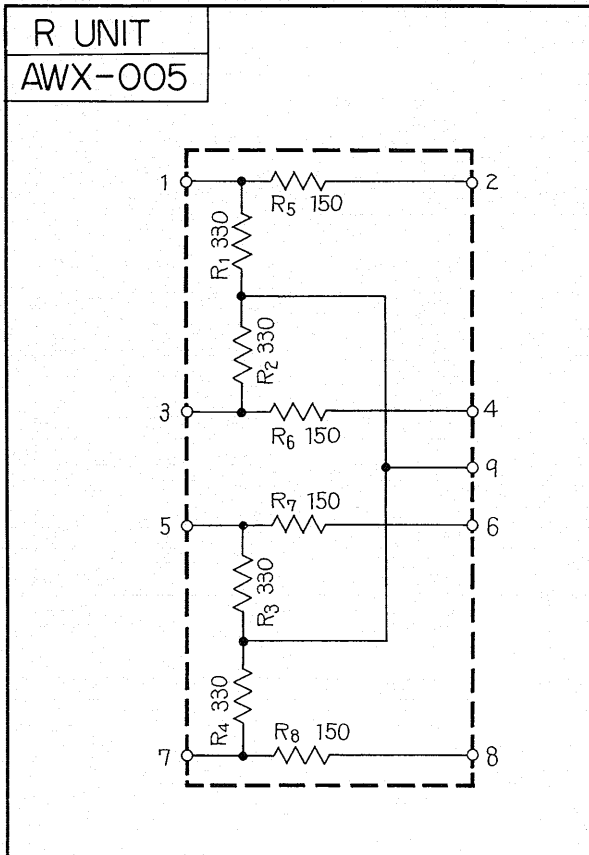
CONTROL AMP UNIT



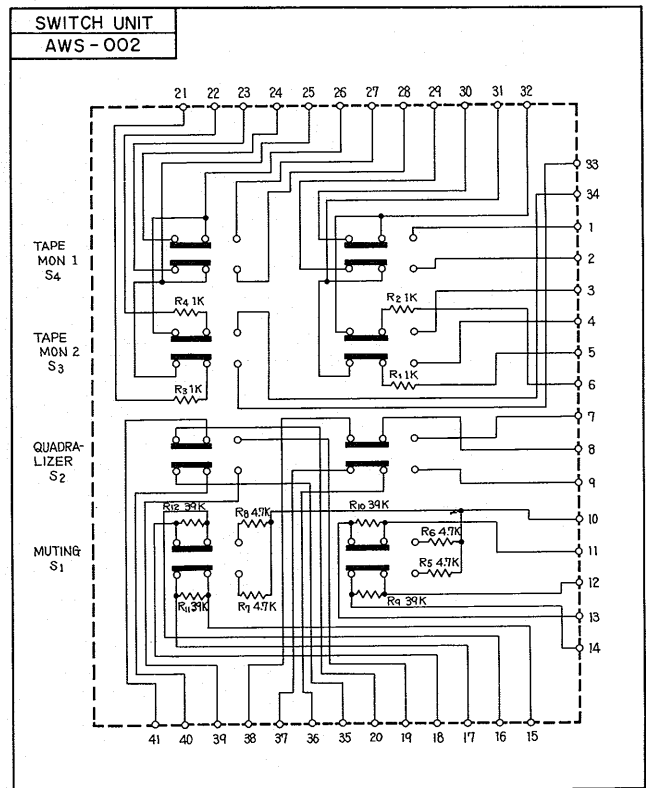
MAIN AMP UNIT



R UNIT

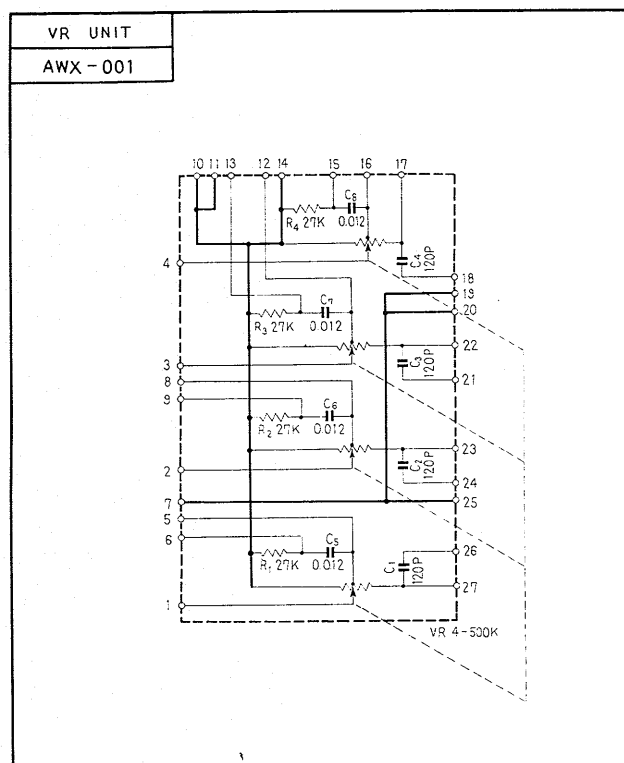
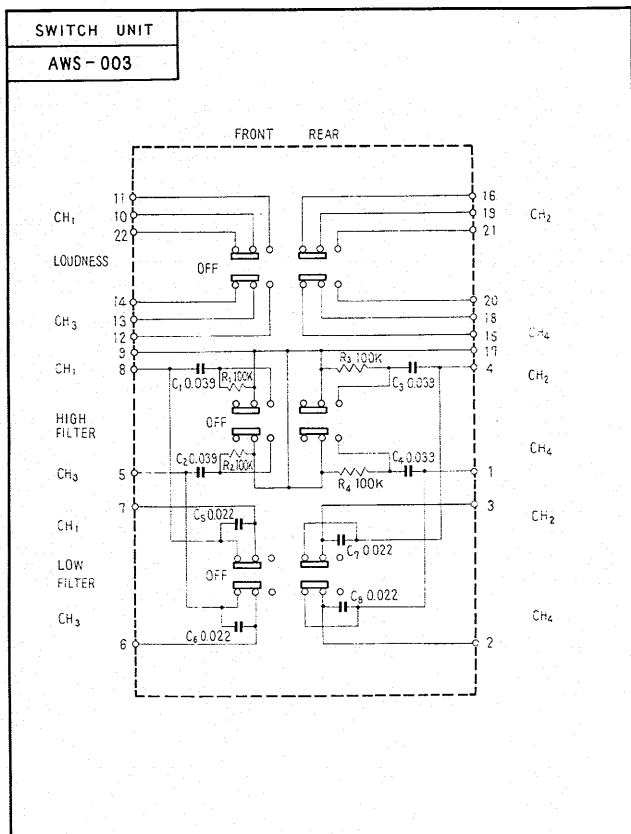


SWITCH UNIT

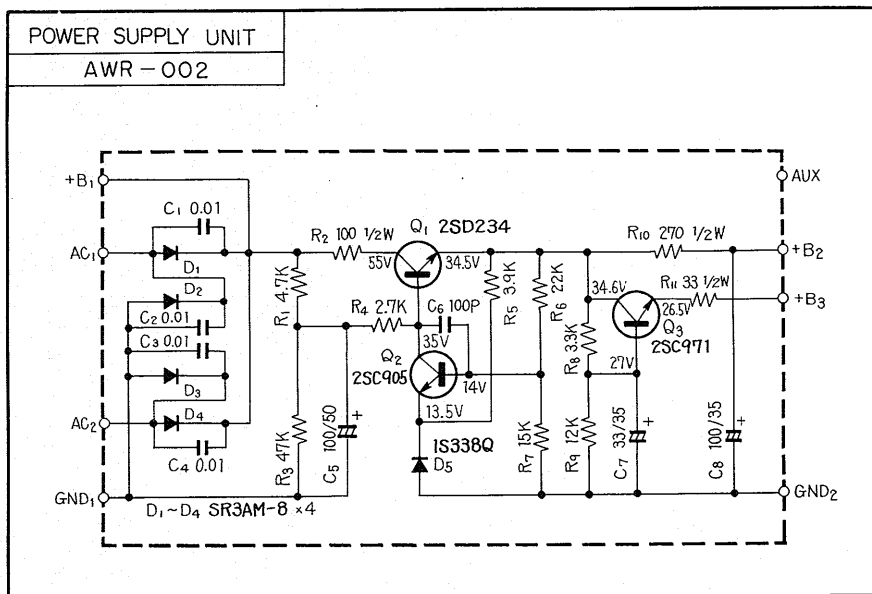


SWITCH UNIT

VR UNIT



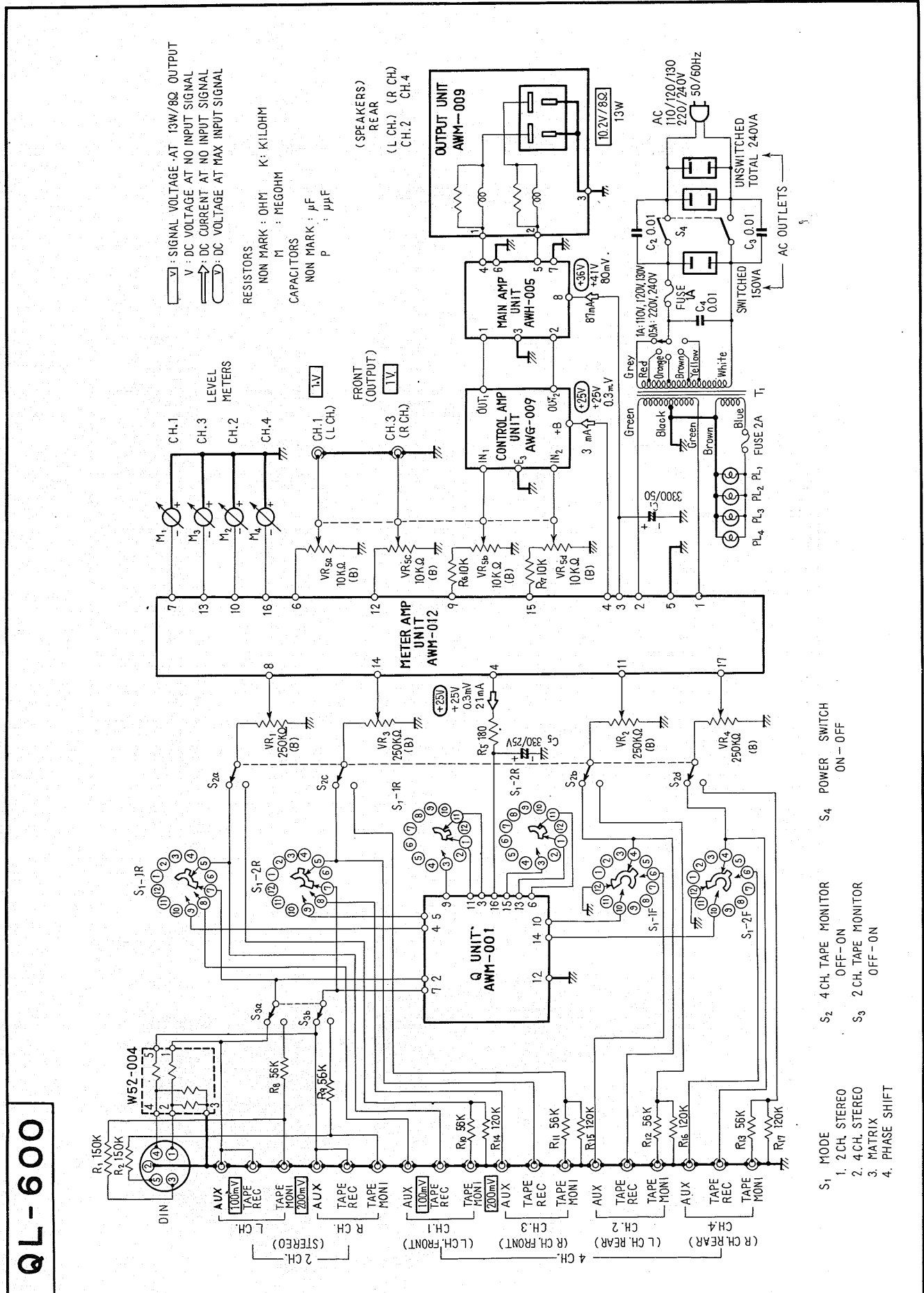
POWER SUPPLY UNIT



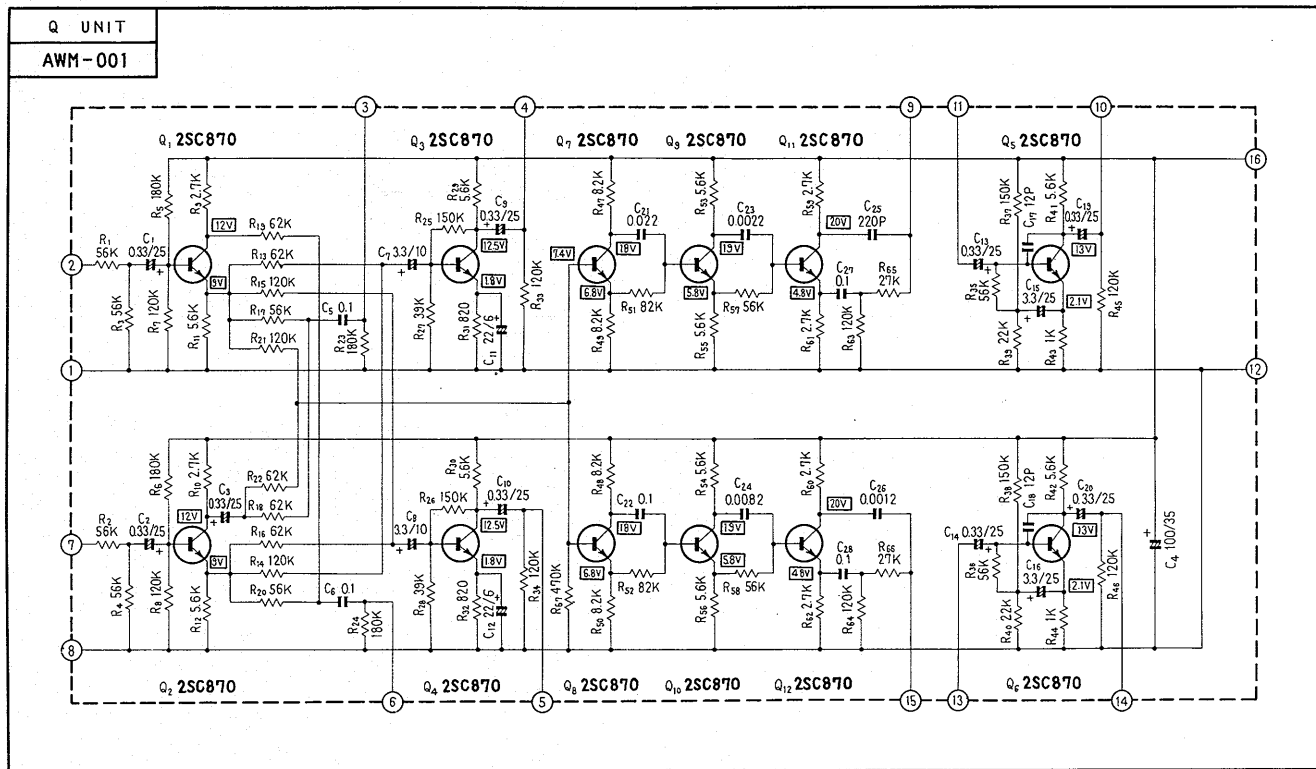
QUADRALIZER AMPLIFIER QL-600

ROUND LABEL UNIT	FW					
FM FRONT END						
FM IF UNIT						
MPX UNIT						
AM TUNER UNIT						
Q UNIT	AWM-001					
HEAD AMP UNIT						
CONTROL AMP UNIT	AWG-009					
MAIN AMP UNIT	AWH-005					
POWER SUPPLY UNIT						
METER AMP UNIT	AWM-012					
SWITCH UNIT						
OUT PUT UNIT	AWM-009					
TONE COLOR UNIT						
CONTROL UNIT						
MIC AMP UNIT						
REVERBE AMP UNIT						
REVERBE UNIT						

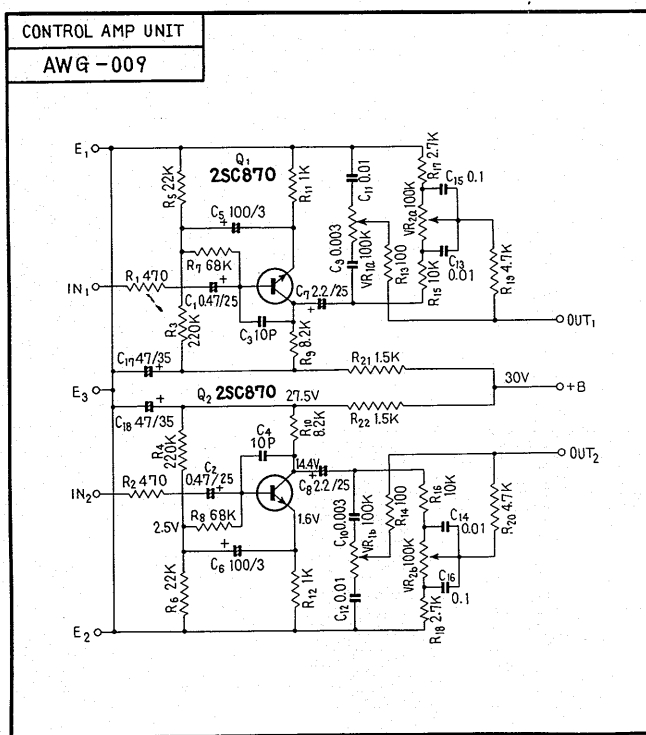




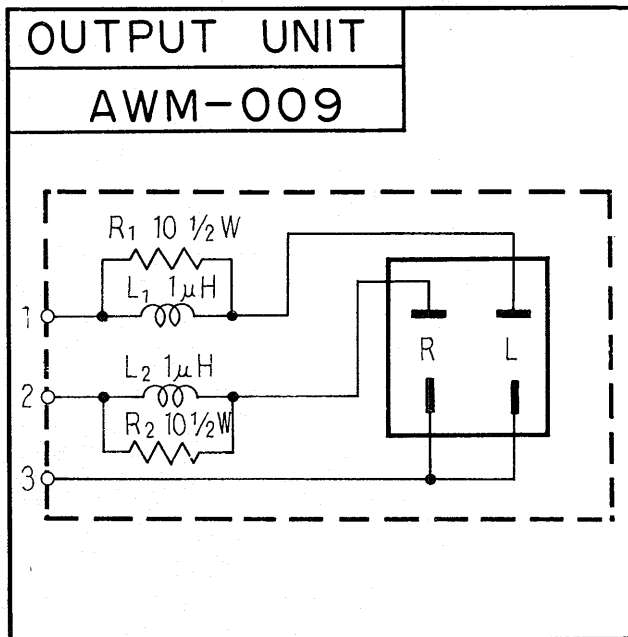
Q UNIT



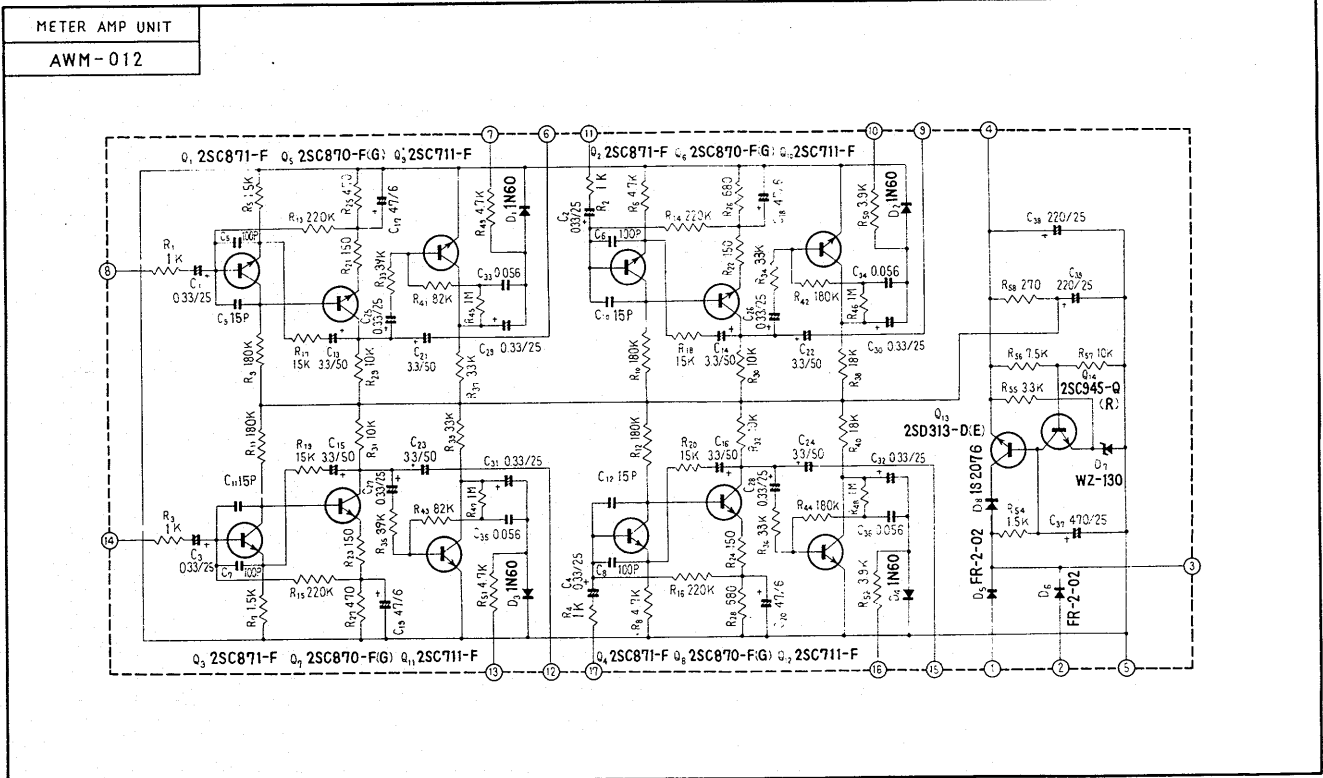
CONTROL AMP UNIT



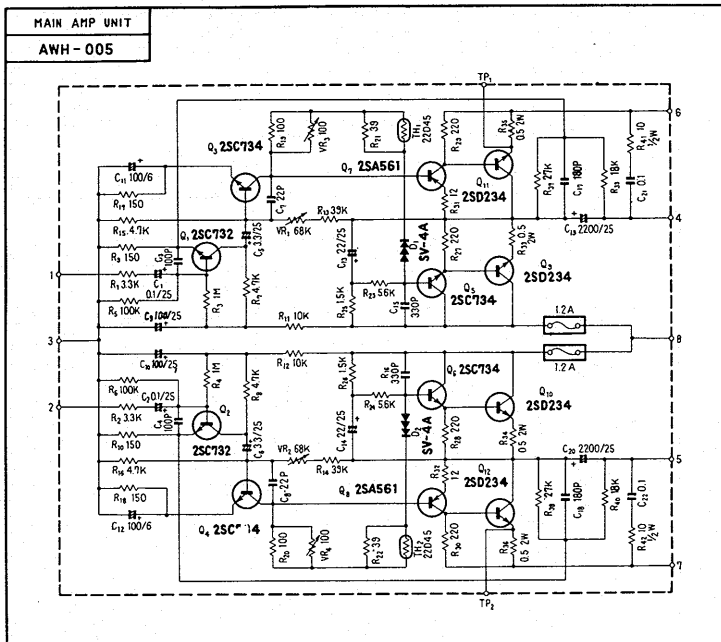
OUTPUT UNIT



METER AMP UNIT

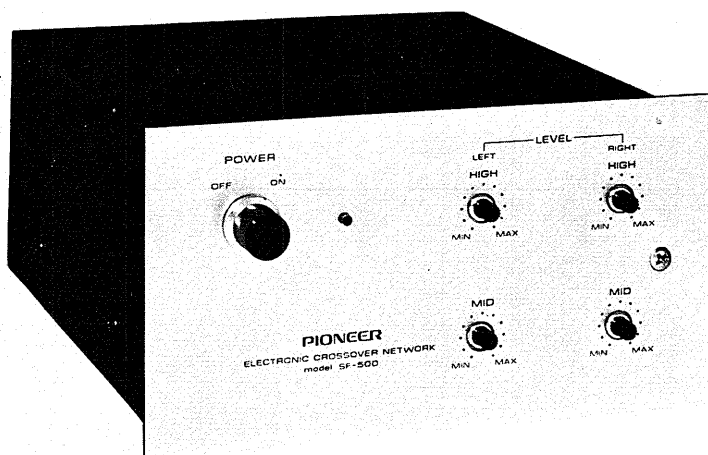


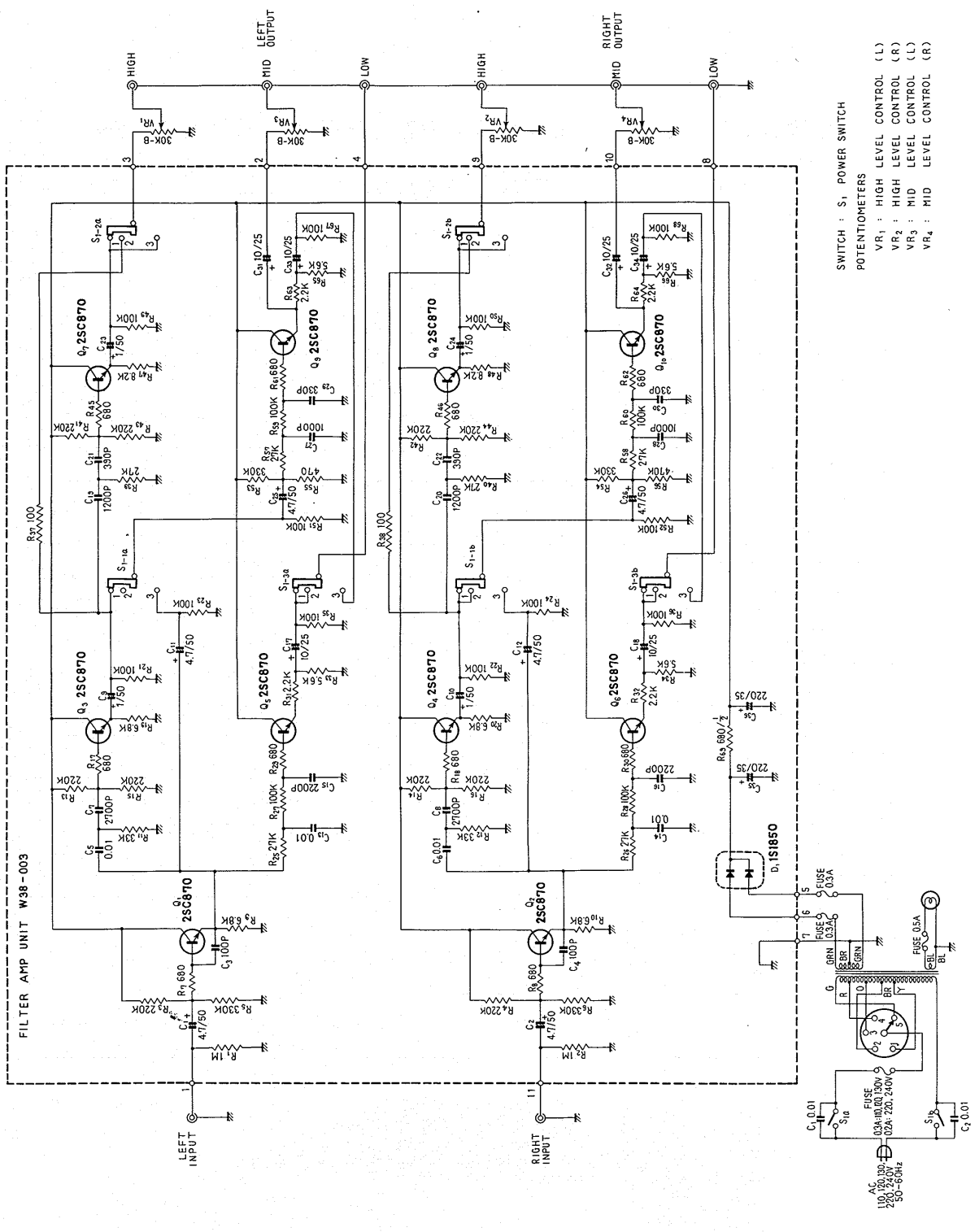
MAIN AMP UNIT



ELECTRONIC CROSSOVER NETWORK SF-500

ROUND LABEL UNIT	FV					
FM FRONT END						
FM IF UNIT						
MPX UNIT						
AM TUNER UNIT						
MUTING UNIT						
AF UNIT						
CONTROL AMP UNIT						
MAIN AMP UNIT						
POWER SUPPLY UNIT						
SWITCH UNIT						
SWITCH UNIT						
SWITCH UNIT						
TONE COLOR UNIT						
CONTROL UNIT						
MIC AMP UNIT						
FILTER AMP UNIT	W38-003					
REVERBE UNIT						

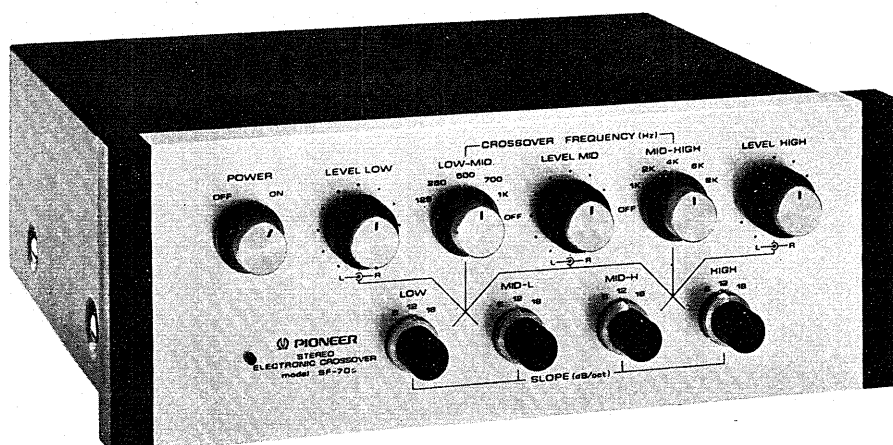




SWITCH : S₁ POWER SWITCH
 POTENTIOMETERS
 VR₁ : HIGH LEVEL CONTROL (L)
 VR₂ : HIGH LEVEL CONTROL (R)
 VR₃ : MID LEVEL CONTROL (L)
 VR₄ : MID LEVEL CONTROL (R)

ELECTRONIC CROSSOVER NETWORK SF-700

ROUND LABEL UNIT	FV	KC	KL			
FM FRONT END						
FM IF UNIT						
MPX UNIT						
AM TUNER UNIT						
MUTING UNIT						
HEAD AMP UNIT						
CONTROL AMP UNIT						
MAIN AMP UNIT						
POWER SUPPLY UNIT						
SWITCH UNIT						
SWITCH UNIT						
SWITCH UNIT						
TONE COLOR UNIT						
CONTROL UNIT						
MIC AMP UNIT						
FILTER UNIT	W38-002	W38-002	W38-002			
REVERBE UNIT						



SF-700 For FV model

SF-700

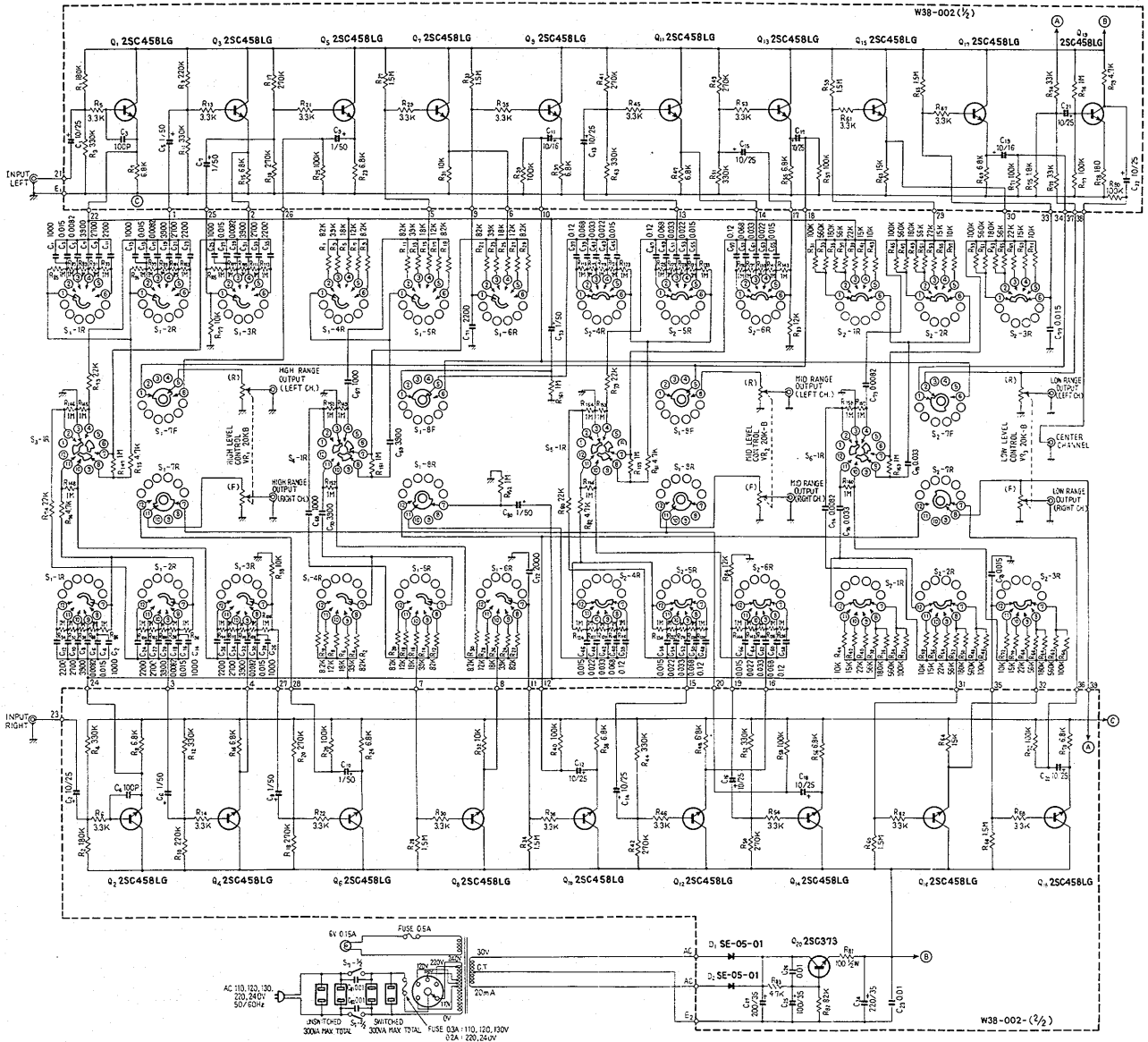
SWITCHES

- S₁ CROSSOVER FREQ. SELECTOR (MID-HIGH)**
- 1) OFF
 - 2) 125Hz
 - 3) 250Hz
 - 4) 4Hz
 - 5) 6Hz
 - 6) 8Hz
- S₂ CROSSOVER FREQ. SELECTOR (LOW-MID)**
- 1) 125Hz
 - 2) 250Hz
 - 3) 500Hz
 - 4) 700Hz
 - 5) 1Hz
 - 6) OFF

- S₃ ~ S₆ SLOPE SELECTOR**
- S₃ HIGH S₄ MID-HIGH
 S₅ MID-LOW S₆ LOW
- 1) 6dB/oct
 - 2) 12dB/oct
 - 3) 18dB/oct
- S₇ POWER SWITCH**

RESISTORS

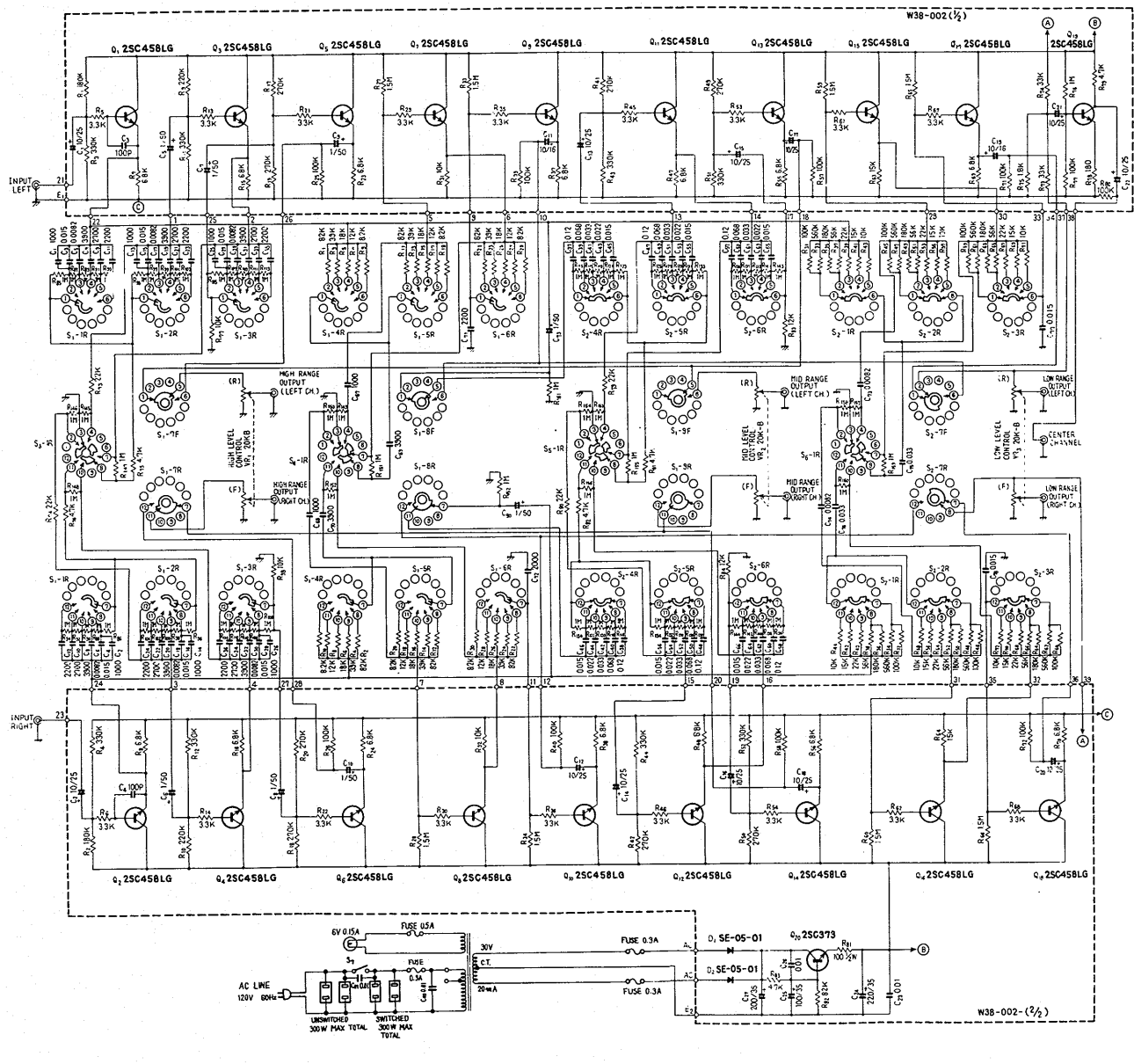
- NONMARK : OHM
 K : KILOHM
 M : MEGOHM
- CAPACITORS**
- NONMARK : μF
 P : pF



SF-700 for KC, KL model

SF - 700

- SWITCHES**
- S₁ CROSSOVER FREQ. SELECTOR (MID-HIGH)
 - 1) OFF
 - 2) 1KHz
 - 3) 2KHz
 - 4) 4KHz
 - 5) 6KHz
 - 6) 8KHz
 - S₂ CROSSOVER FREQ. SELECTOR (LOW-MID)
 - 1) 125Hz
 - 2) 250Hz
 - 3) 500Hz
 - 4) 700Hz
 - 5) 1KHz
 - 6) OFF
 - S₃ - S₆ SLOPE SELECTOR
 - S₃ HIGH S₄ MID HIGH
 - S₅ MID LOW S₆ LOW
 - 1) 6dB/oct
 - 2) 12dB/oct
 - 3) 18dB/oct
 - S₇ POWER SWITCH
- RESISTORS**
- NONMARK - OHM
 - K - KILOHM
 - M - MEGOHM
- CAPACITORS**
- NONMARK - μF
 - P - pF



REVERBERATION AMPLIFIER SR-202W

ROUND LABEL UNIT	FVW					
FM FRONT END						
FM IF UNIT						
MPX UNIT						
AM TUNER UNIT						
MUTING UNIT						
HEAD AMP UNIT						
CONTROL AMP UNIT						
AF AMP UNIT	W36-004					
POWER SUPPLY UNIT						
SWITCH UNIT						
SWITCH UNIT						
SWITCH UNIT						
TONE COLOR UNIT						
CONTROL UNIT						
MIC AMP UNIT						
REVERBE AMP UNIT						
REVERBE UNIT	W38-001					
DRIVE AMP UNIT	W15-045					



SR-202W

- SWITCHES**
S₁ REVERBERATION MODE
 1 ON
 2 OFF
 3 RECORD
S₂ TAPE MODE
 1 B
 2 A
 3 OFF
 4 A → B
 5 B → A
S₃ POWER SWITCH
 ON ↔ OFF

- S₄ LINE VOLTAGE SELECTOR**
 POTENTIOMETER
 VR REVERBERATION TIME
RESISTORS
 NON MARK : OHM
 K : KILOHM
 M : MEGOHM
CAPACITORS
 NON MARK : μF
 P : μμF

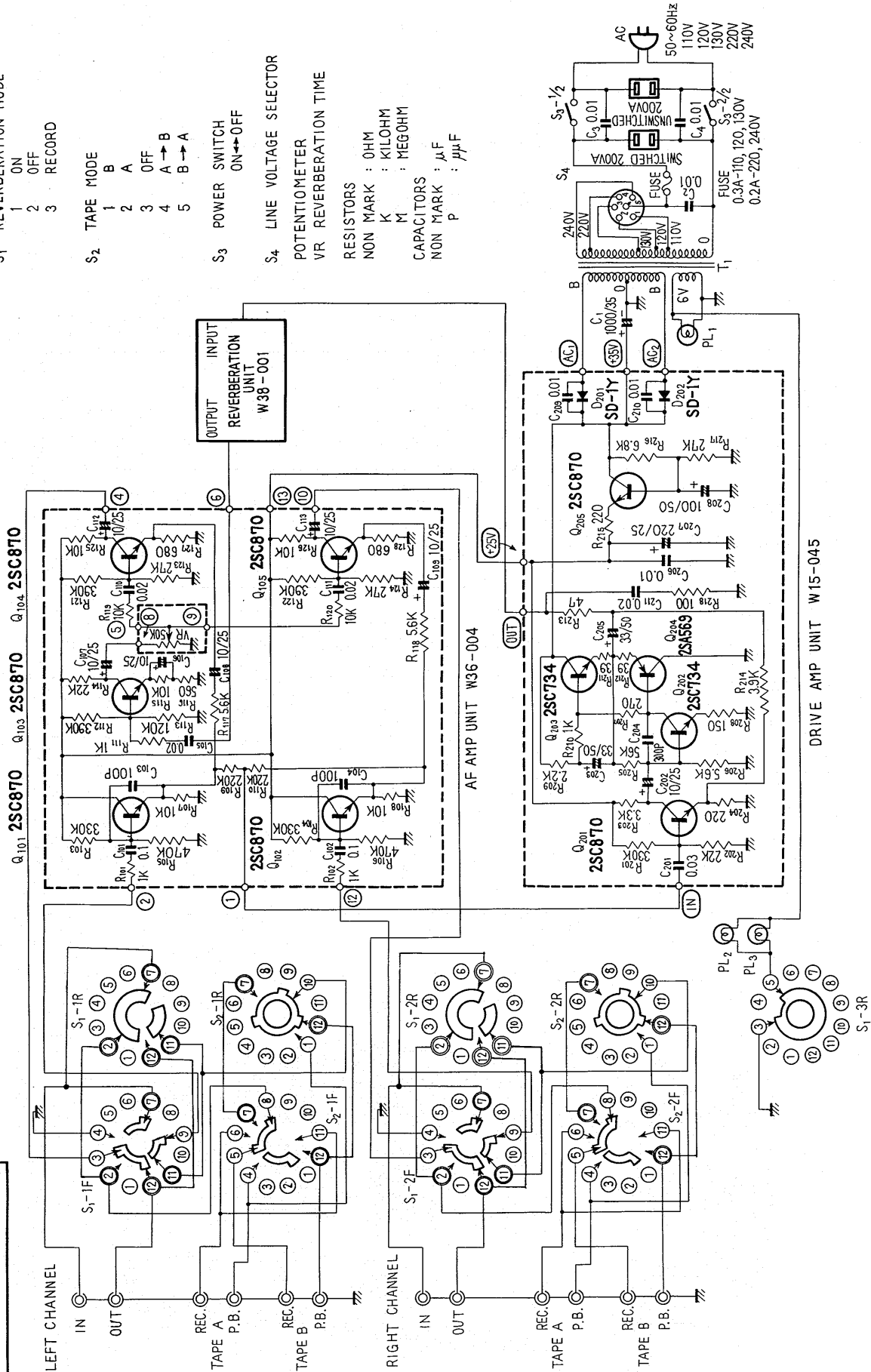
- S₃ POWER SWITCH**
 ON ↔ OFF

- S₄ LINE VOLTAGE SELECTOR**

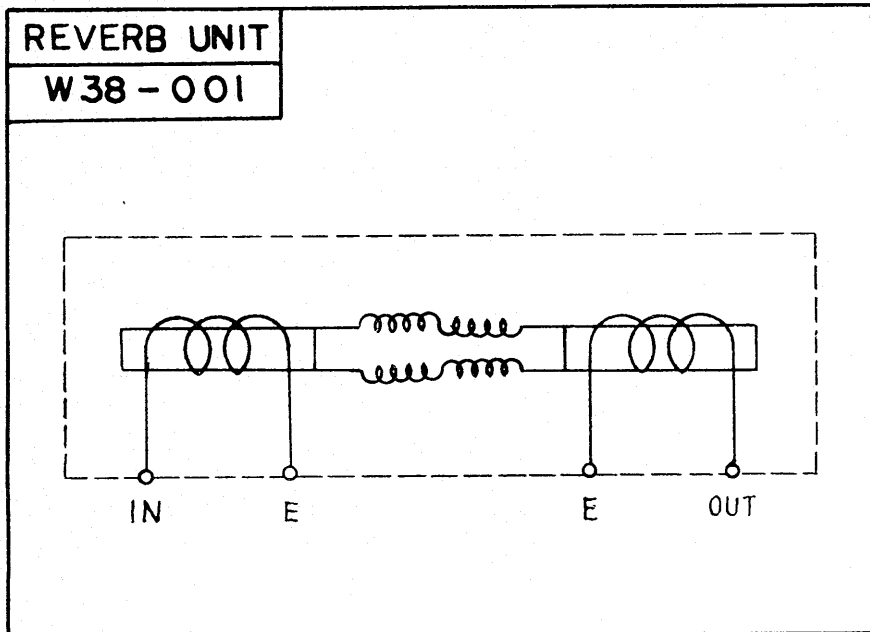
- POTENTIOMETER

- VR REVERBERATION TIME

- RESISTORS**
 NON MARK : OHM
 K : KILOHM
 M : MEGOHM
CAPACITORS
 NON MARK : μF
 P : μμF



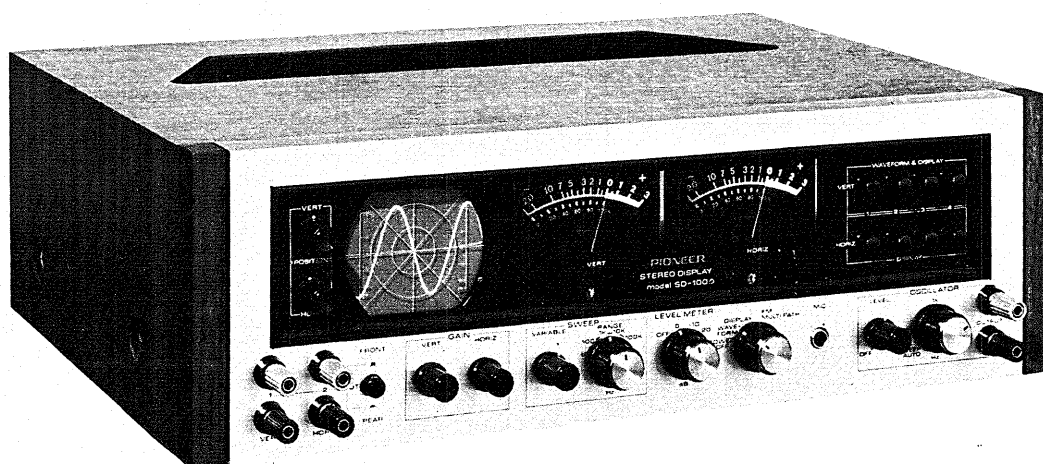
REVERBE UNIT

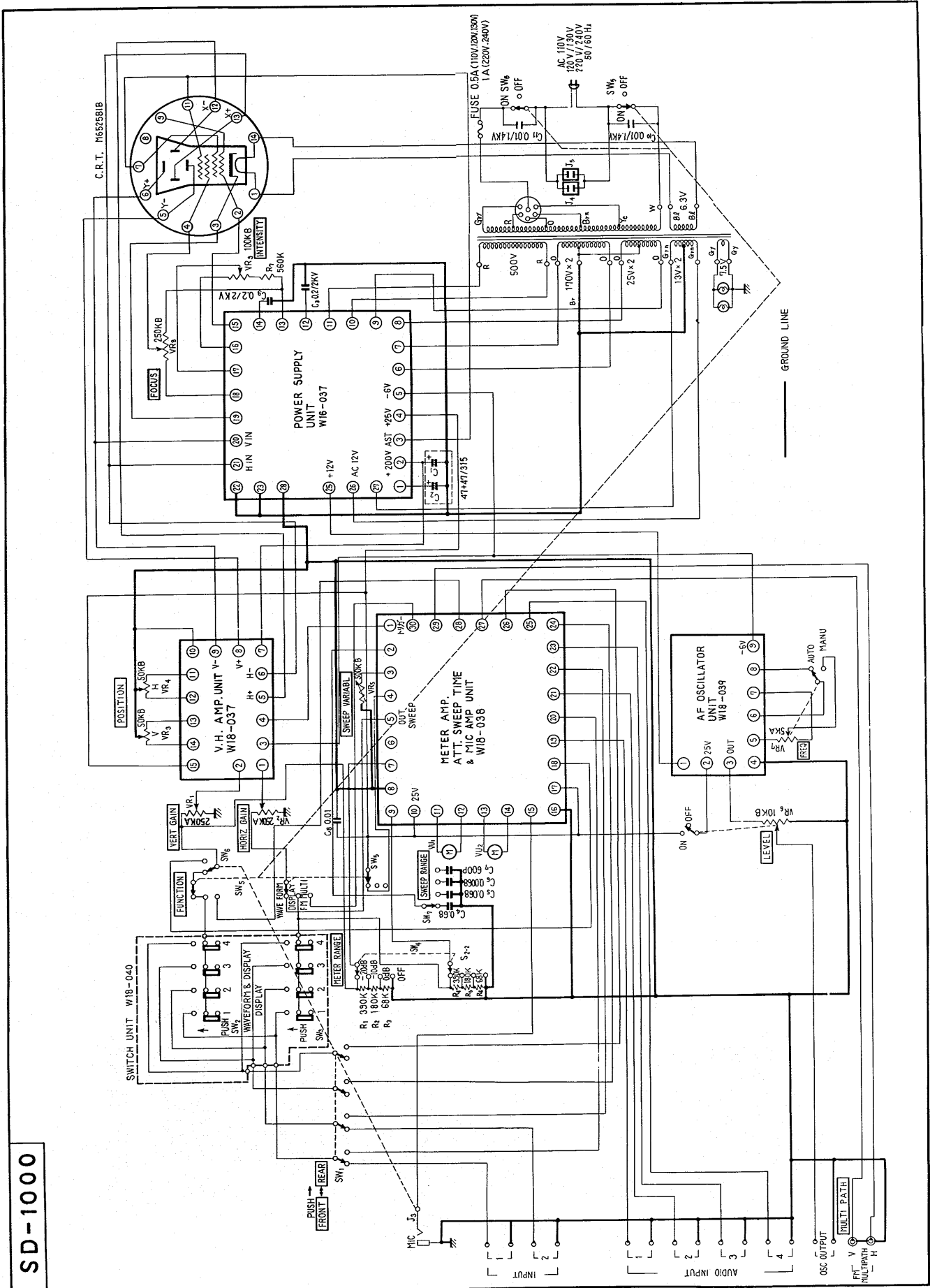


STEREO DISPLAY

SD-1000

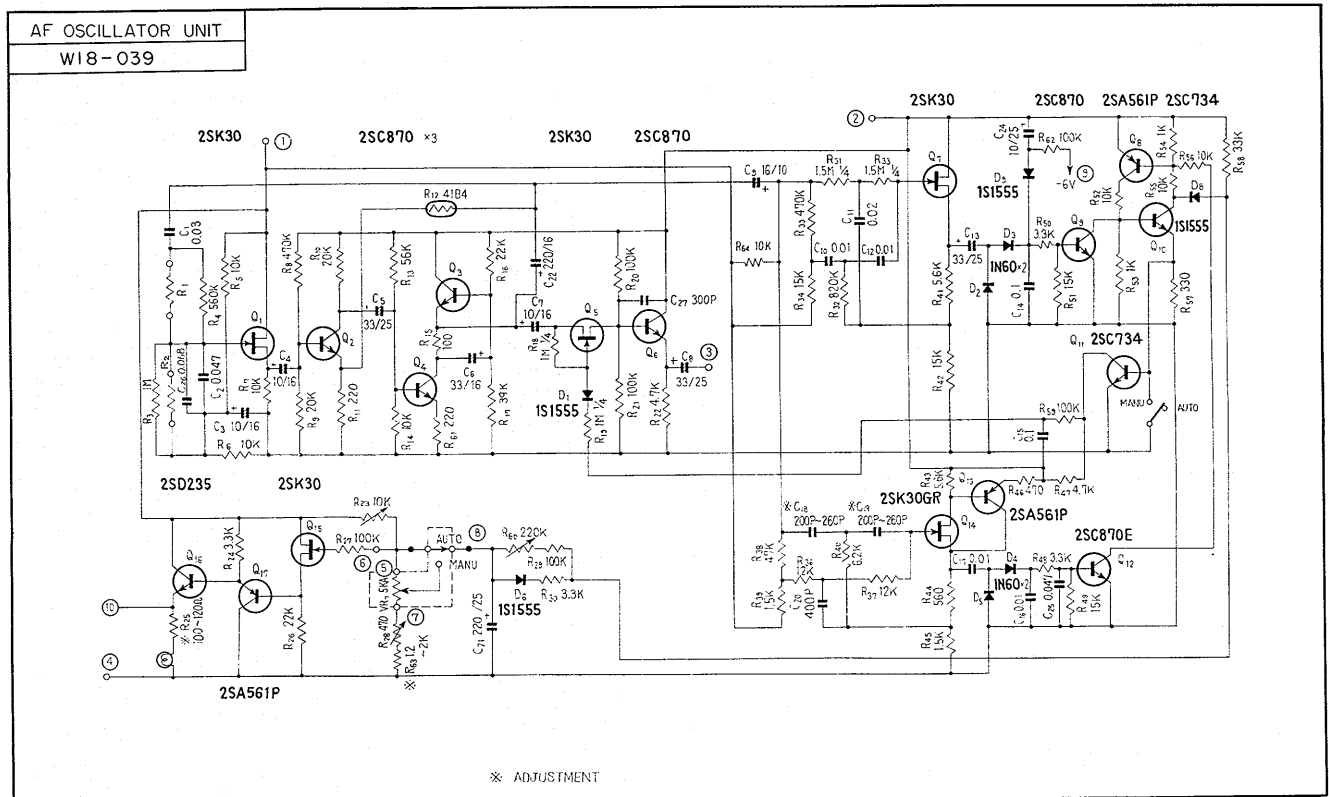
UNIT \ ROUND LABEL	F					
AF OSC UNIT	W18-039					
FM FRONT END						
FM IF UNIT						
MPX UNIT						
V-H AMP UNIT	W18-037					
MUTING UNIT						
METER AMP UNIT	W18-038					
CONTROL AMP UNIT						
MAIN AMP UNIT						
POWER SUPPLY UNIT	W16-037					
SWITCH UNIT	W18-040					
SWITCH UNIT						
SWITCH UNIT						
TONE COLOR UNIT						
CONTROL UNIT						
MIC AMP UNIT						
REVERBE AMP UNIT						
REVERBE UNIT						



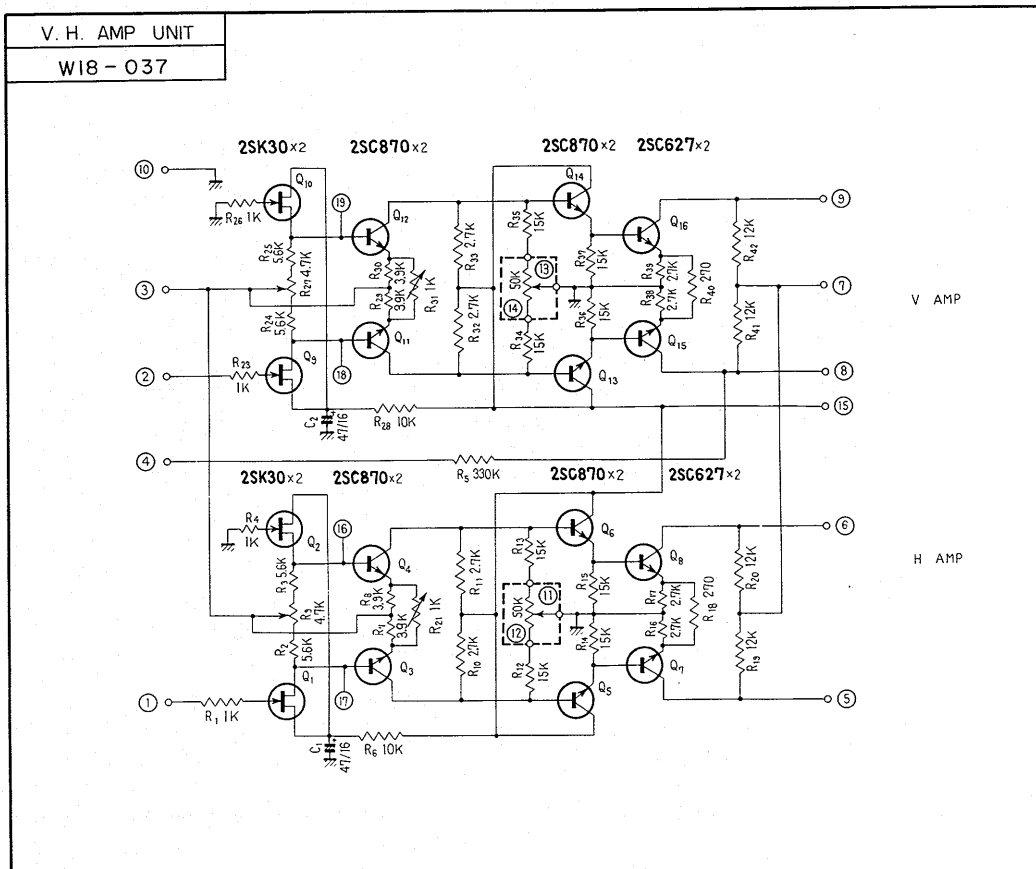


SD-1000

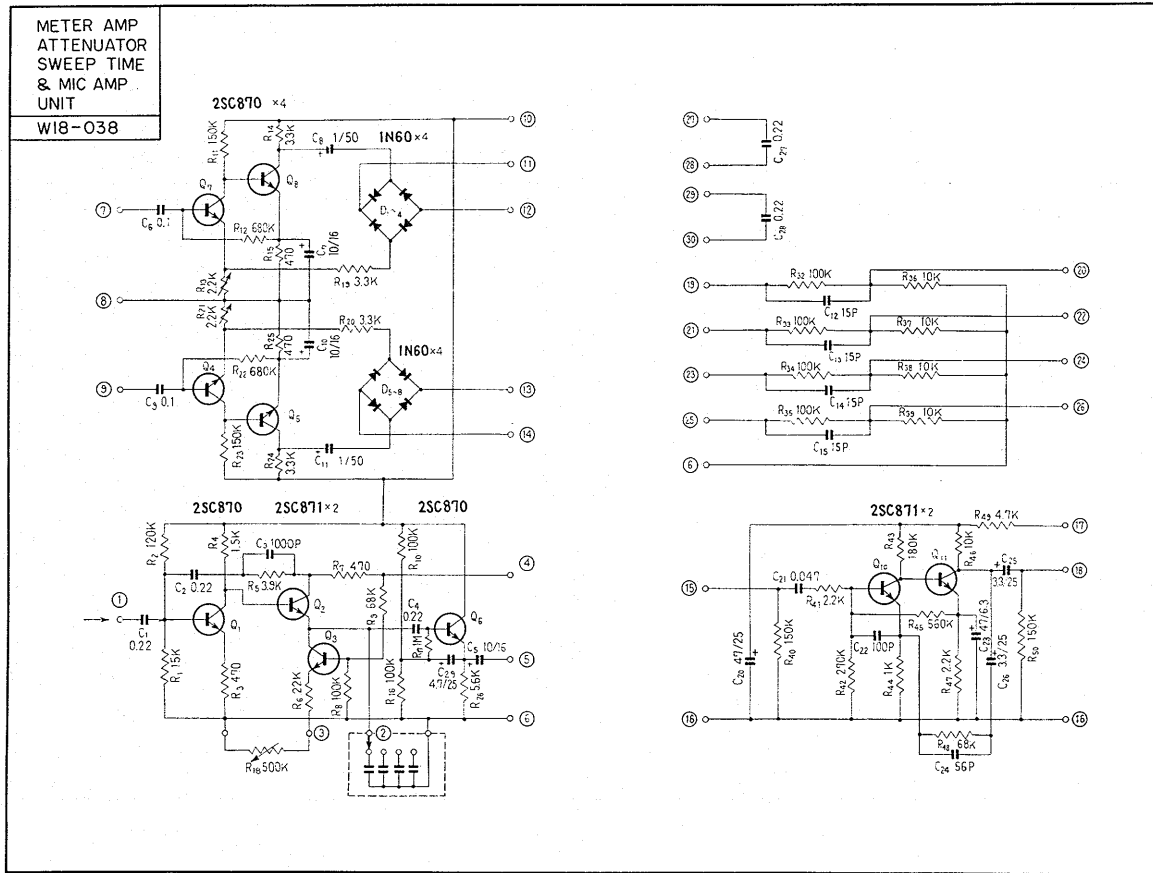
AF OSCILLATOR UNIT



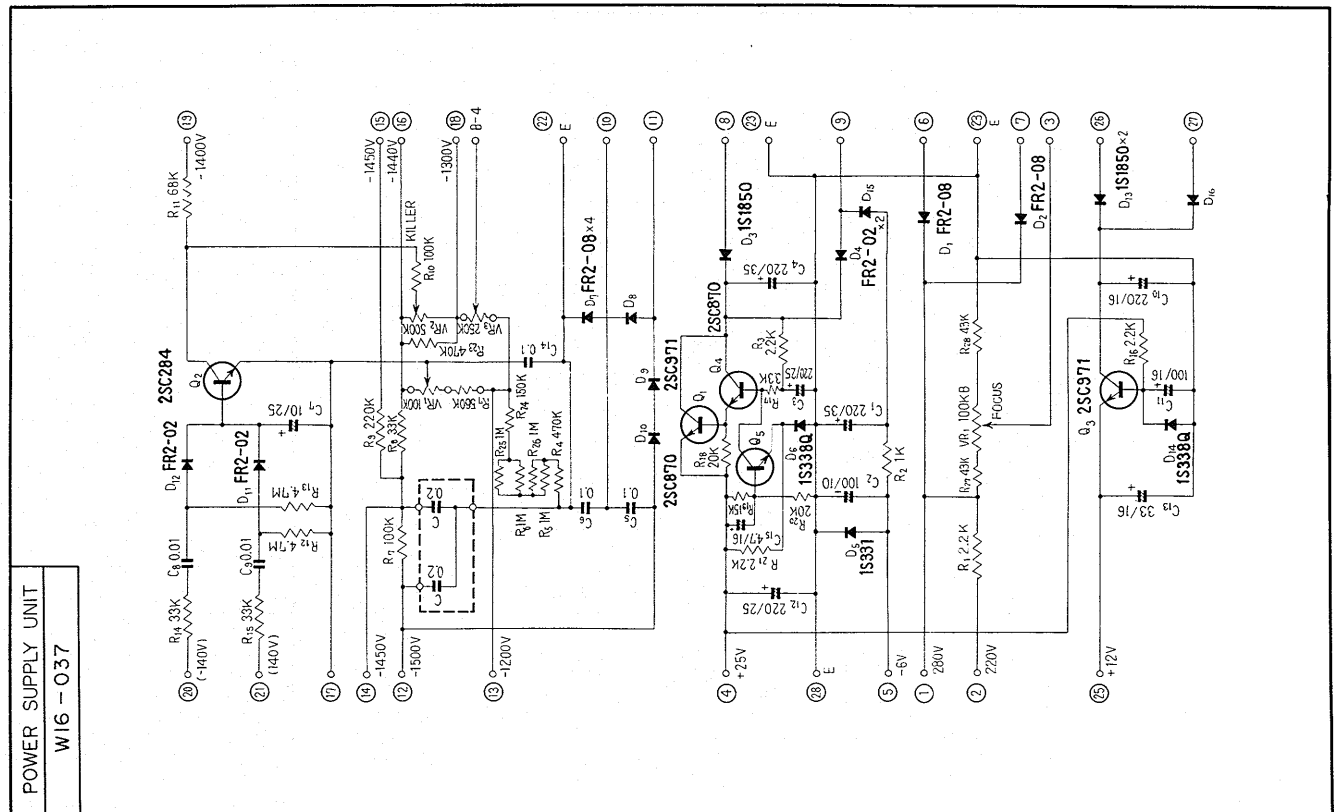
V. H. AMP UNIT



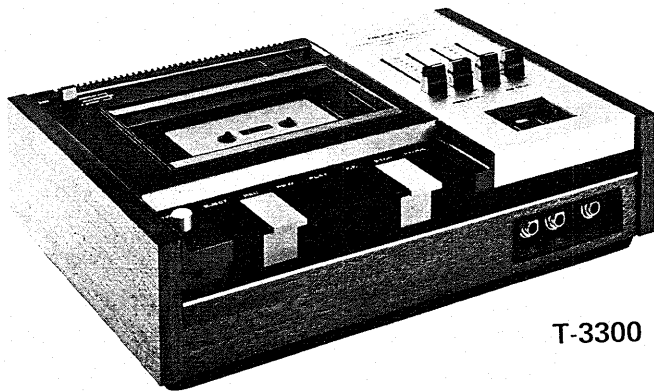
METER AMP UNIT



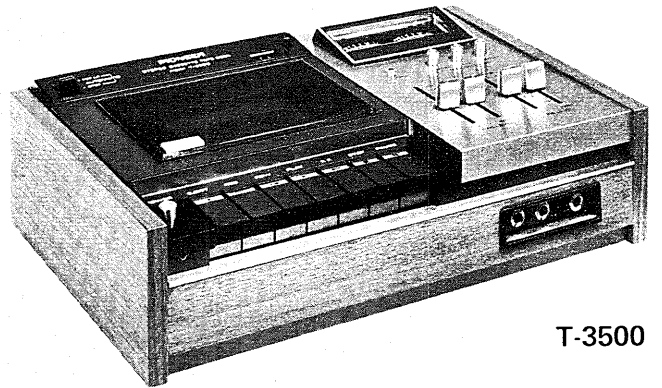
POWER SUPPLY UNIT



STEREO CASSETTE TAPE DECKS



T-3300



T-3500

STEREO TAPE DECKS



T-6100



T-8800



T-6600

8-TRACK QUADRAPHONIC TAPE DECK



QT-2100

4-CHANNEL STEREO TAPE DECKS

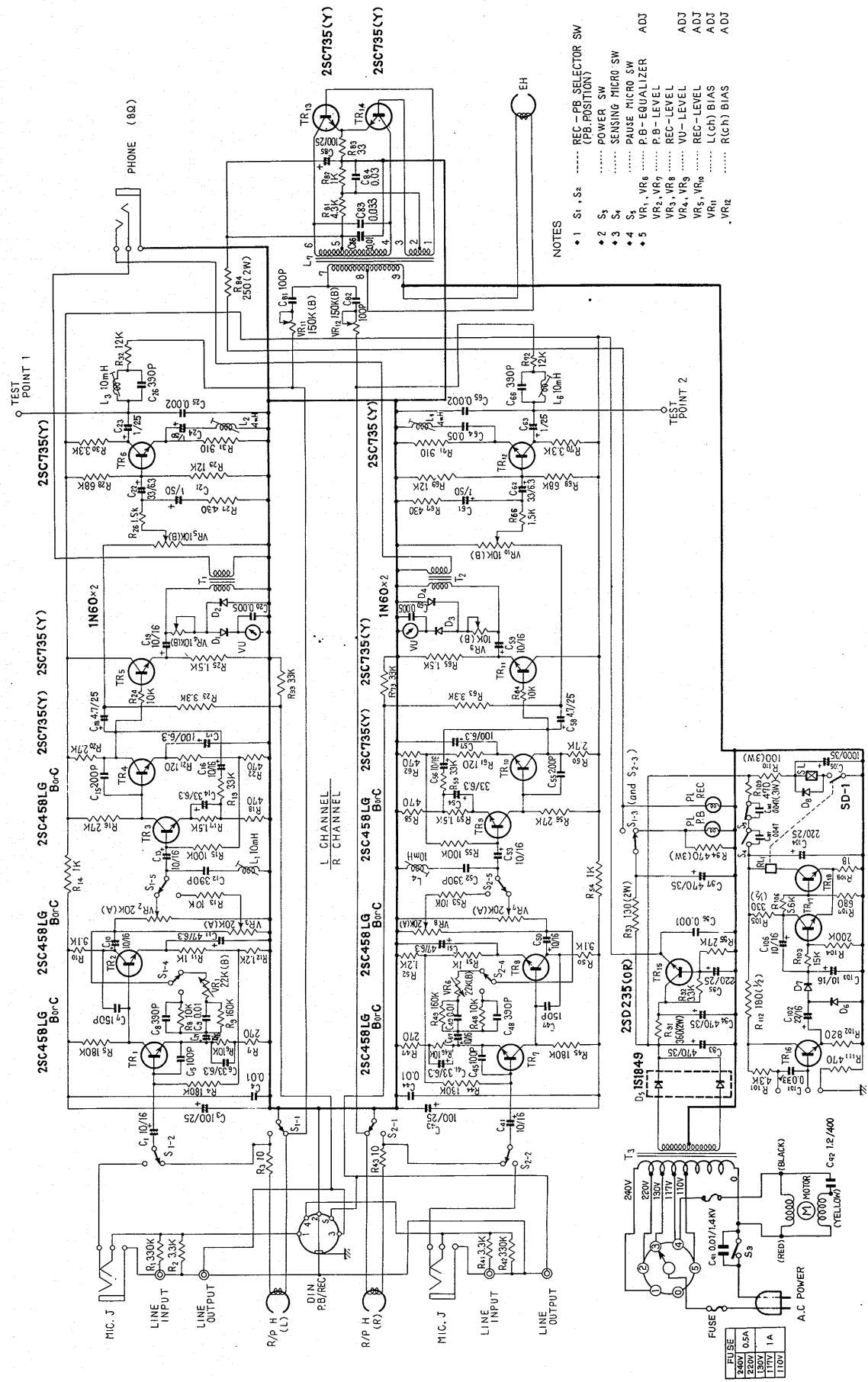


QT-6100

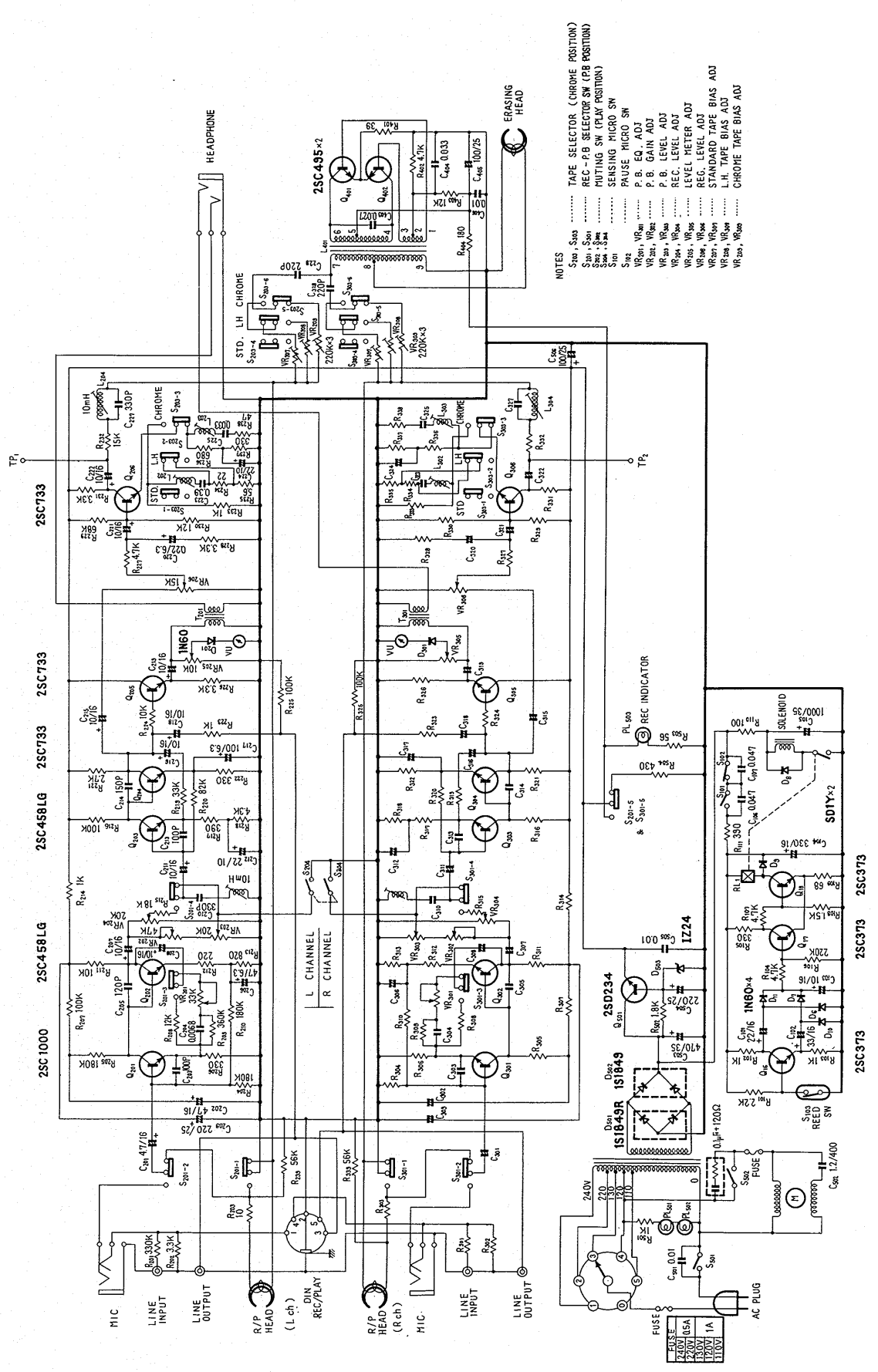


QT-6600

T-3300

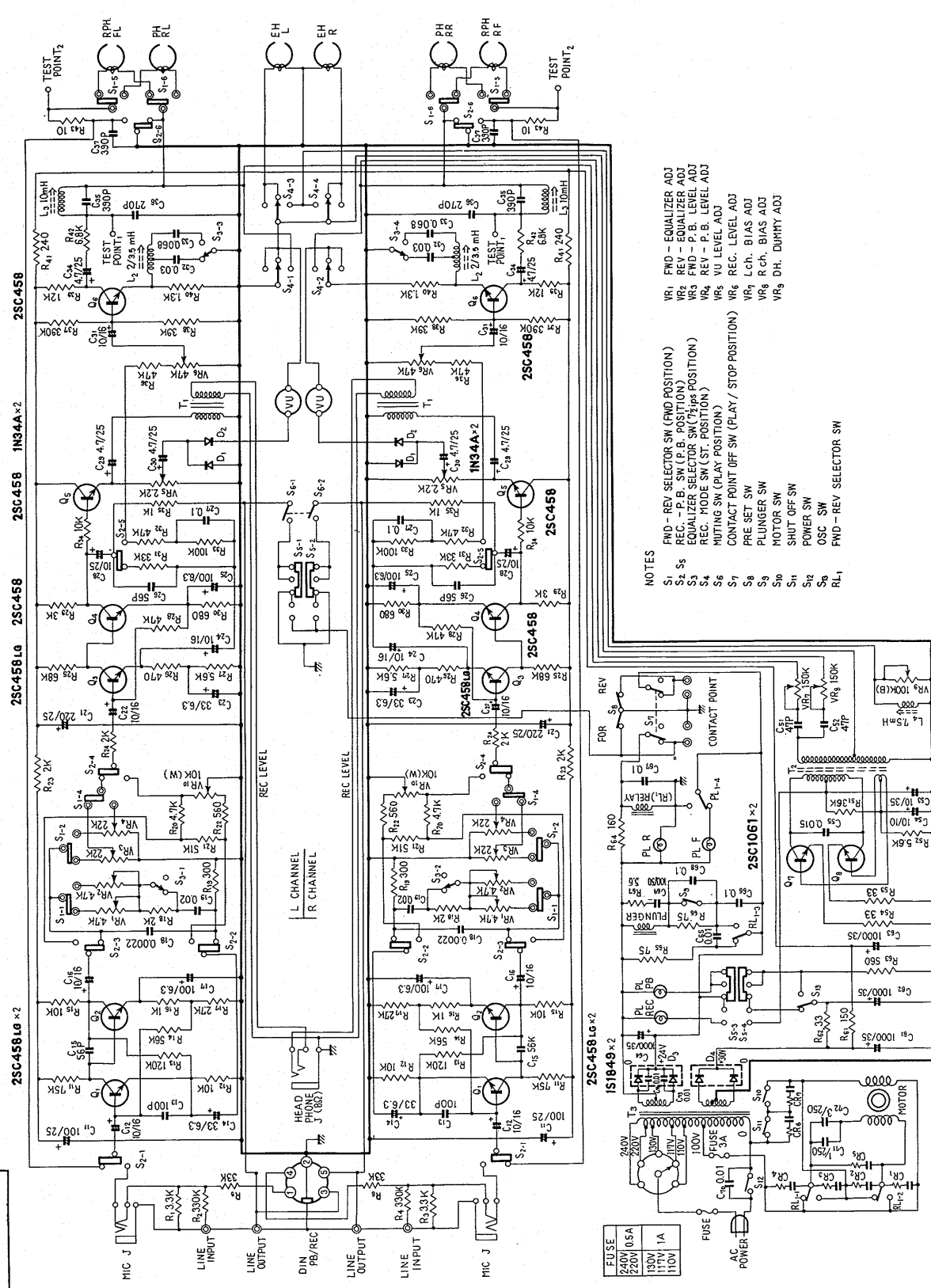


- NOTES
- 1 S₁, S₂ REC - PB SELECTOR SW (PB POSITION)
 - 2 S₃ POWER SW
 - 3 S₄ SENSING MICRO SW
 - 4 S₅ PAUSE MICRO SW
 - 5 VR₁, VR₆ P.B - EQUALIZER ADJ
 - VR₂, VR₇ P.B - LEVEL
 - VR₃, VR₈ REC - LEVEL
 - VR₄, VR₉ VU - LEVEL
 - VR₅, VR₁₀ REC - LEVEL
 - VR₁₁ L(ch) BIAS ADJ
 - VR₁₂ R(ch) BIAS ADJ



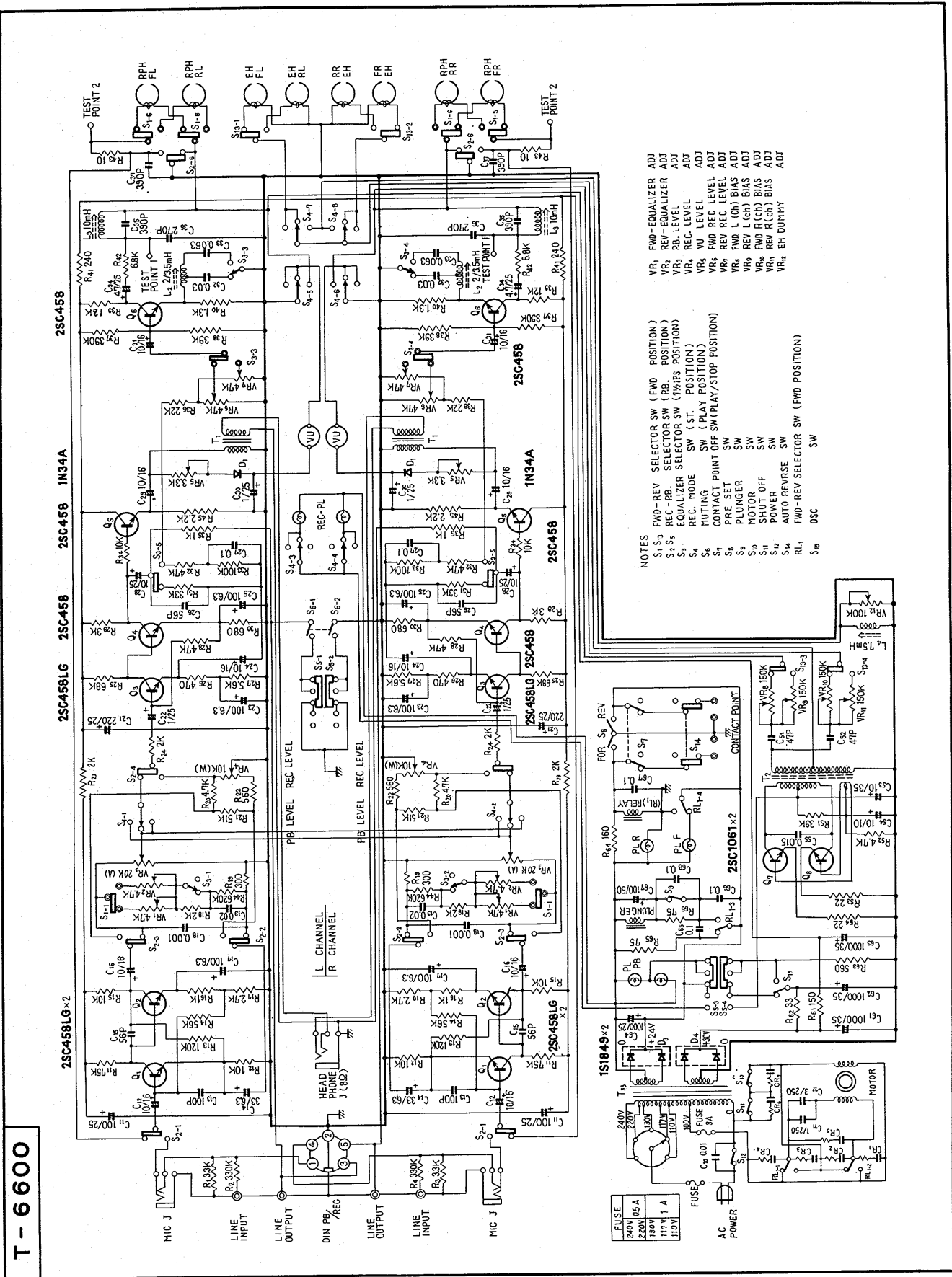
- NOTES
- S1a, S1b, S1c, S1d, S1e, S1f, S1g, S1h, S1i, S1j, S1k, S1l, S1m, S1n, S1o, S1p, S1q, S1r, S1s, S1t, S1u, S1v, S1w, S1x, S1y, S1z, S1aa, S1ab, S1ac, S1ad, S1ae, S1af, S1ag, S1ah, S1ai, S1aj, S1ak, S1al, S1am, S1an, S1ao, S1ap, S1aq, S1ar, S1as, S1at, S1au, S1av, S1aw, S1ax, S1ay, S1az, S1ba, S1bb, S1bc, S1bd, S1be, S1bf, S1bg, S1bh, S1bi, S1bj, S1bk, S1bl, S1bm, S1bn, S1bo, S1bp, S1bq, S1br, S1bs, S1bt, S1bu, S1bv, S1bw, S1bx, S1by, S1bz, S1ca, S1cb, S1cc, S1cd, S1ce, S1cf, S1cg, S1ch, S1ci, S1cj, S1ck, S1cl, S1cm, S1cn, S1co, S1cp, S1cq, S1cr, S1cs, S1ct, S1cu, S1cv, S1cw, S1cx, S1cy, S1cz, S1da, S1db, S1dc, S1dd, S1de, S1df, S1dg, S1dh, S1di, S1dj, S1dk, S1dl, S1dm, S1dn, S1do, S1dp, S1dq, S1dr, S1ds, S1dt, S1du, S1dv, S1dw, S1dx, S1dy, S1dz, S1ea, S1eb, S1ec, S1ed, S1ee, S1ef, S1eg, S1eh, S1ei, S1ej, S1ek, S1el, S1em, S1en, S1eo, S1ep, S1eq, S1er, S1es, S1et, S1eu, S1ev, S1ew, S1ex, S1ey, S1ez, S1fa, S1fb, S1fc, S1fd, S1fe, S1ff, S1fg, S1fh, S1fi, S1fj, S1fk, S1fl, S1fm, S1fn, S1fo, S1fp, S1fq, S1fr, S1fs, S1ft, S1fu, S1fv, S1fw, S1fx, S1fy, S1fz, S1ga, S1gb, S1gc, S1gd, S1ge, S1gf, S1gg, S1gh, S1gi, S1gj, S1gk, S1gl, S1gm, S1gn, S1go, S1gp, S1gq, S1gr, S1gs, S1gt, S1gu, S1gv, S1gw, S1gx, S1gy, S1gz, S1ha, S1hb, S1hc, S1hd, S1he, S1hf, S1hg, S1hh, S1hi, S1hj, S1hk, S1hl, S1hm, S1hn, S1ho, S1hp, S1hq, S1hr, S1hs, S1ht, S1hu, S1hv, S1hw, S1hx, S1hy, S1hz, S1ia, S1ib, S1ic, S1id, S1ie, S1if, S1ig, S1ih, S1ii, S1ij, S1ik, S1il, S1im, S1in, S1io, S1ip, S1iq, S1ir, S1is, S1it, S1iu, S1iv, S1iw, S1ix, S1iy, S1iz, S1ja, S1jb, S1jc, S1jd, S1je, S1jf, S1jg, S1jh, S1ji, S1jj, S1jk, S1jl, S1jm, S1jn, S1jo, S1jp, S1jq, S1jr, S1js, S1jt, S1ju, S1jv, S1jw, S1jx, S1jy, S1jz, S1ka, S1kb, S1kc, S1kd, S1ke, S1kf, S1kg, S1kh, S1ki, S1kj, S1kk, S1kl, S1km, S1kn, S1ko, S1kp, S1kq, S1kr, S1ks, S1kt, S1ku, S1kv, S1kw, S1kx, S1ky, S1kz, S1la, S1lb, S1lc, S1ld, S1le, S1lf, S1lg, S1lh, S1li, S1lj, S1lk, S1ll, S1lm, S1ln, S1lo, S1lp, S1lq, S1lr, S1ls, S1lt, S1lu, S1lv, S1lw, S1lx, S1ly, S1lz, S1ma, S1mb, S1mc, S1md, S1me, S1mf, S1mg, S1mh, S1mi, S1mj, S1mk, S1ml, S1mm, S1mn, S1mo, S1mp, S1mq, S1mr, S1ms, S1mt, S1mu, S1mv, S1mw, S1mx, S1my, S1mz, S1na, S1nb, S1nc, S1nd, S1ne, S1nf, S1ng, S1nh, S1ni, S1nj, S1nk, S1nl, S1nm, S1nn, S1no, S1np, S1nq, S1nr, S1ns, S1nt, S1nu, S1nv, S1nw, S1nx, S1ny, S1nz, S1oa, S1ob, S1oc, S1od, S1oe, S1of, S1og, S1oh, S1oi, S1oj, S1ok, S1ol, S1om, S1on, S1oo, S1op, S1oq, S1or, S1os, S1ot, S1ou, S1ov, S1ow, S1ox, S1oy, S1oz, S1pa, S1pb, S1pc, S1pd, S1pe, S1pf, S1pg, S1ph, S1pi, S1pj, S1pk, S1pl, S1pm, S1pn, S1po, S1pp, S1pq, S1pr, S1ps, S1pt, S1pu, S1pv, S1pw, S1px, S1py, S1pz, S1qa, S1qb, S1qc, S1qd, S1qe, S1qf, S1qg, S1qh, S1qi, S1qj, S1qk, S1ql, S1qm, S1qn, S1qo, S1qp, S1qq, S1qr, S1qs, S1qt, S1qu, S1qv, S1qw, S1qx, S1qy, S1qz, S1ra, S1rb, S1rc, S1rd, S1re, S1rf, S1rg, S1rh, S1ri, S1rj, S1rk, S1rl, S1rm, S1rn, S1ro, S1rp, S1rq, S1rr, S1rs, S1rt, S1ru, S1rv, S1rw, S1rx, S1ry, S1rz, S1sa, S1sb, S1sc, S1sd, S1se, S1sf, S1sg, S1sh, S1si, S1sj, S1sk, S1sl, S1sm, S1sn, S1so, S1sp, S1sq, S1sr, S1ss, S1st, S1su, S1sv, S1sw, S1sx, S1sy, S1sz, S1ta, S1tb, S1tc, S1td, S1te, S1tf, S1tg, S1th, S1ti, S1tj, S1tk, S1tl, S1tm, S1tn, S1to, S1tp, S1tq, S1tr, S1ts, S1tt, S1tu, S1tv, S1tw, S1tx, S1ty, S1tz, S1ua, S1ub, S1uc, S1ud, S1ue, S1uf, S1ug, S1uh, S1ui, S1uj, S1uk, S1ul, S1um, S1un, S1uo, S1up, S1uq, S1ur, S1us, S1ut, S1uu, S1uv, S1uw, S1ux, S1uy, S1uz, S1va, S1vb, S1vc, S1vd, S1ve, S1vf, S1vg, S1vh, S1vi, S1vj, S1vk, S1vl, S1vm, S1vn, S1vo, S1vp, S1vq, S1vr, S1vs, S1vt, S1vu, S1vv, S1vw, S1vx, S1vy, S1vz, S1wa, S1wb, S1wc, S1wd, S1we, S1wf, S1wg, S1wh, S1wi, S1wj, S1wk, S1wl, S1wm, S1wn, S1wo, S1wp, S1wq, S1wr, S1ws, S1wt, S1wu, S1wv, S1ww, S1wx, S1wy, S1wz, S1xa, S1xb, S1xc, S1xd, S1xe, S1xf, S1xg, S1xh, S1xi, S1xj, S1xk, S1xl, S1xm, S1xn, S1xo, S1xp, S1xq, S1xr, S1xs, S1xt, S1xu, S1xv, S1xw, S1xx, S1xy, S1xz, S1ya, S1yb, S1yc, S1yd, S1ye, S1yf, S1yg, S1yh, S1yi, S1yj, S1yk, S1yl, S1ym, S1yn, S1yo, S1yp, S1yq, S1yr, S1ys, S1yt, S1yu, S1yv, S1yw, S1yx, S1yy, S1yz, S1za, S1zb, S1zc, S1zd, S1ze, S1zf, S1zg, S1zh, S1zi, S1zj, S1zk, S1zl, S1zm, S1zn, S1zo, S1zp, S1zq, S1zr, S1zs, S1zt, S1zu, S1zv, S1zw, S1zx, S1zy, S1zz

T-6100



- NOTES
- S1 FWD - REV SELECTOR SW (FWD POSITION)
 - S2 FWD - P.B. SW (P.B. POSITION)
 - S3 EQUALIZER SELECTOR SW (75dB POSITION)
 - S4 REC. MODE SW (ST. POSITION)
 - S5 HITTING SW (PLAY POSITION)
 - S6 VU LEVEL ADJ
 - S7 CONTACT POINT OFF SW (PLAY / STOP POSITION)
 - S8 PRE SET SW
 - S9 PLUNGER SW
 - S10 MOTOR SW
 - S11 SHUT OFF SW
 - S12 POWER SW
 - S13 USC SW
 - S14 FWD - REV SELECTOR SW
 - RL1
 - VR1 FWD - EQUALIZER ADJ
 - VR2 REC. EQUALIZER ADJ
 - VR3 FWD - P.B. LEVEL ADJ
 - VR4 REV - P.B. LEVEL ADJ
 - VR5 VU LEVEL ADJ
 - VR6 REC. LEVEL ADJ
 - VR7 Lch. BIAS ADJ
 - VR8 R ch. BIAS ADJ
 - VR9 DH. DUMMY ADJ

FUSE
240V 0.5A
220V 0.5A
130V 1A
117V 1A
110V 1A



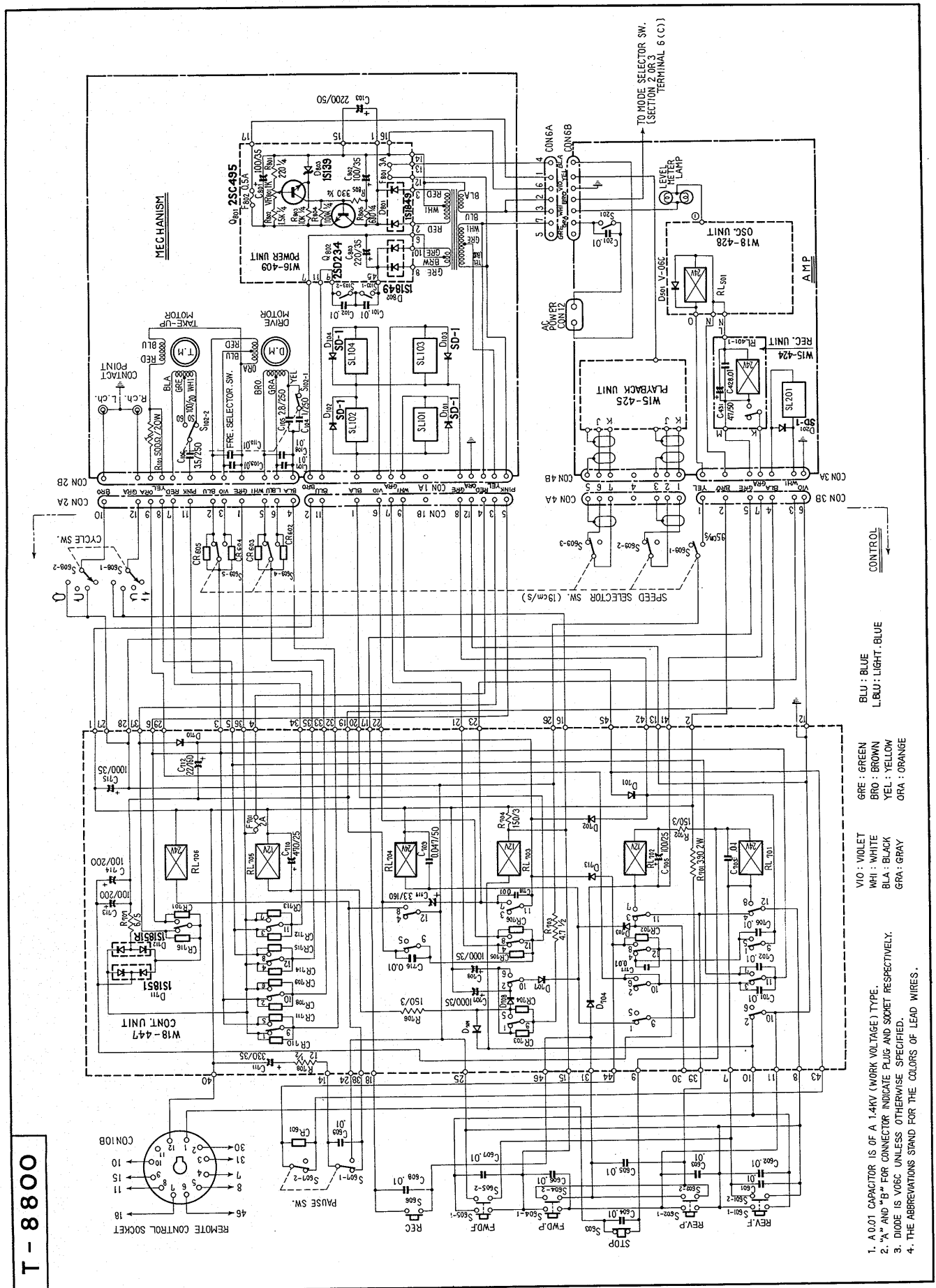
T-6600

- NOTES
- S1, S3 FWD-REV SELECTOR SW (FWD POSITION)
 - S2, S5 REC-RB SELECTOR SW (RB POSITION)
 - S3 EQUALIZER SELECTOR SW (1/2 FS POSITION)
 - S4 REC. MODE SW (ST POSITION)
 - S5 TUNING SW (PLAY POSITION)
 - S6 CONTACT POINT OFF SW (PLAY/STOP POSITION)
 - S7 PRE SET SW
 - S8 MOTOR PLUNGER SW
 - S9 MOTOR SHUT OFF SW
 - S10 POWER OFF SW
 - S11 AUTO REVERSE SW
 - S12 FWD-REV SELECTOR SW (FWD POSITION)
 - RL1 OSC SW

- VR1 FWD-EQUALIZER ADJ
- VR2 REC-EQUALIZER ADJ
- VR3 RB LEVEL ADJ
- VR4 REC. LEVEL ADJ
- VR5 VU LEVEL ADJ
- VR6 FWD REC LEVEL ADJ
- VR7 REV REC LEVEL ADJ
- VR8 FWD L (GH) BIAS ADJ
- VR9 FWD R (GH) BIAS ADJ
- VR10 REV L (GH) BIAS ADJ
- VR11 REV R (GH) BIAS ADJ
- VR12 EH DUMMY ADJ

FUSE	240V	105 A
	220V	130V
	117 V	1 A
	110V	

Model T-8800 CONTROL



BLU : BLUE
L.BLU : LIGHT BLUE
GRE : GREEN
BRO : BROWN
YEL : YELLOW
ORA : ORANGE

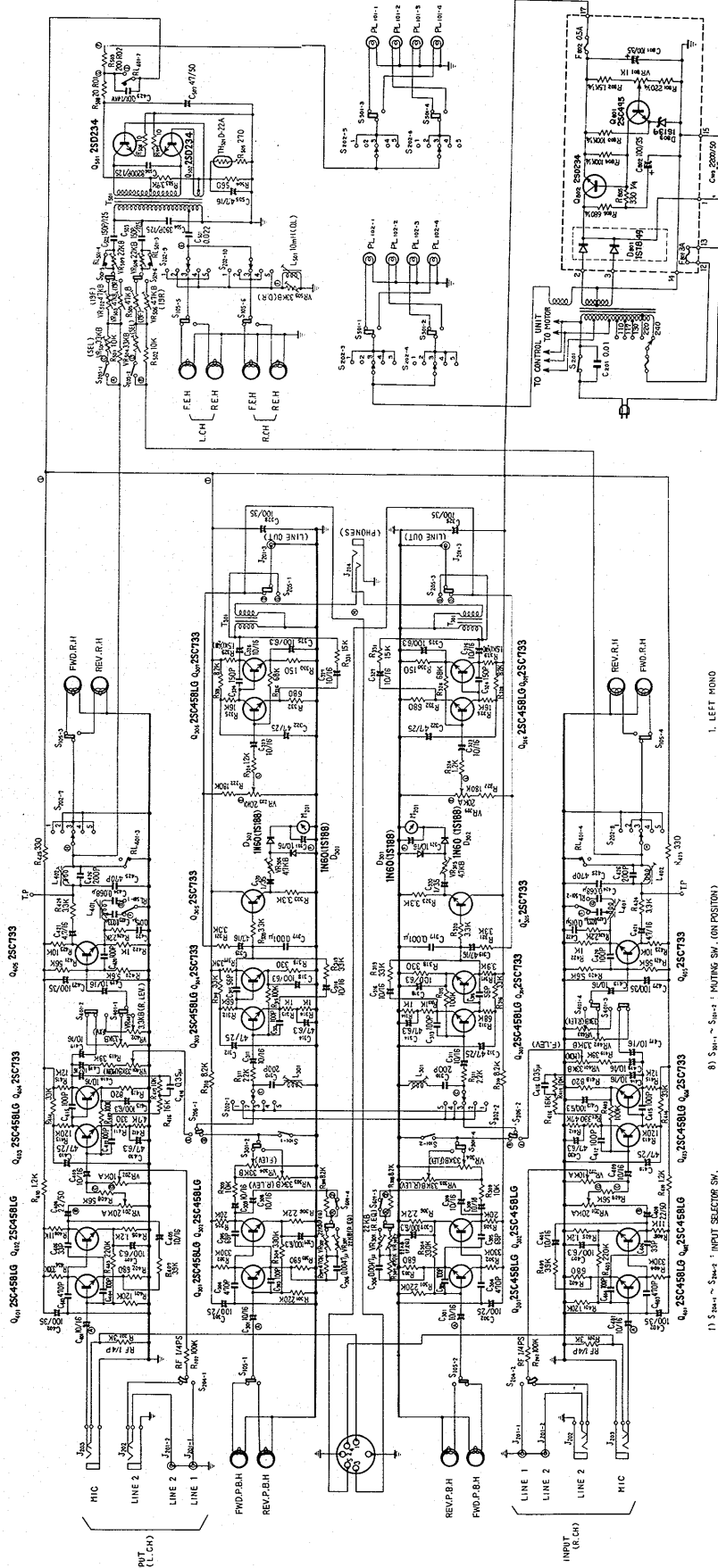
VIO : VIOLET
WHI : WHITE
BLA : BLACK
GRA : GRAY

1. A 0.01 CAPACITOR IS OF A 1.4KV (WORK VOLTAGE) TYPE.
2. "A" AND "B" FOR CONNECTOR INDICATE PLUG AND SOCKET RESPECTIVELY.
3. DIODE IS V06C UNLESS OTHERWISE SPECIFIED.
4. THE ABBREVIATIONS STAND FOR THE COLORS OF LEAD WIRES.

T-8800

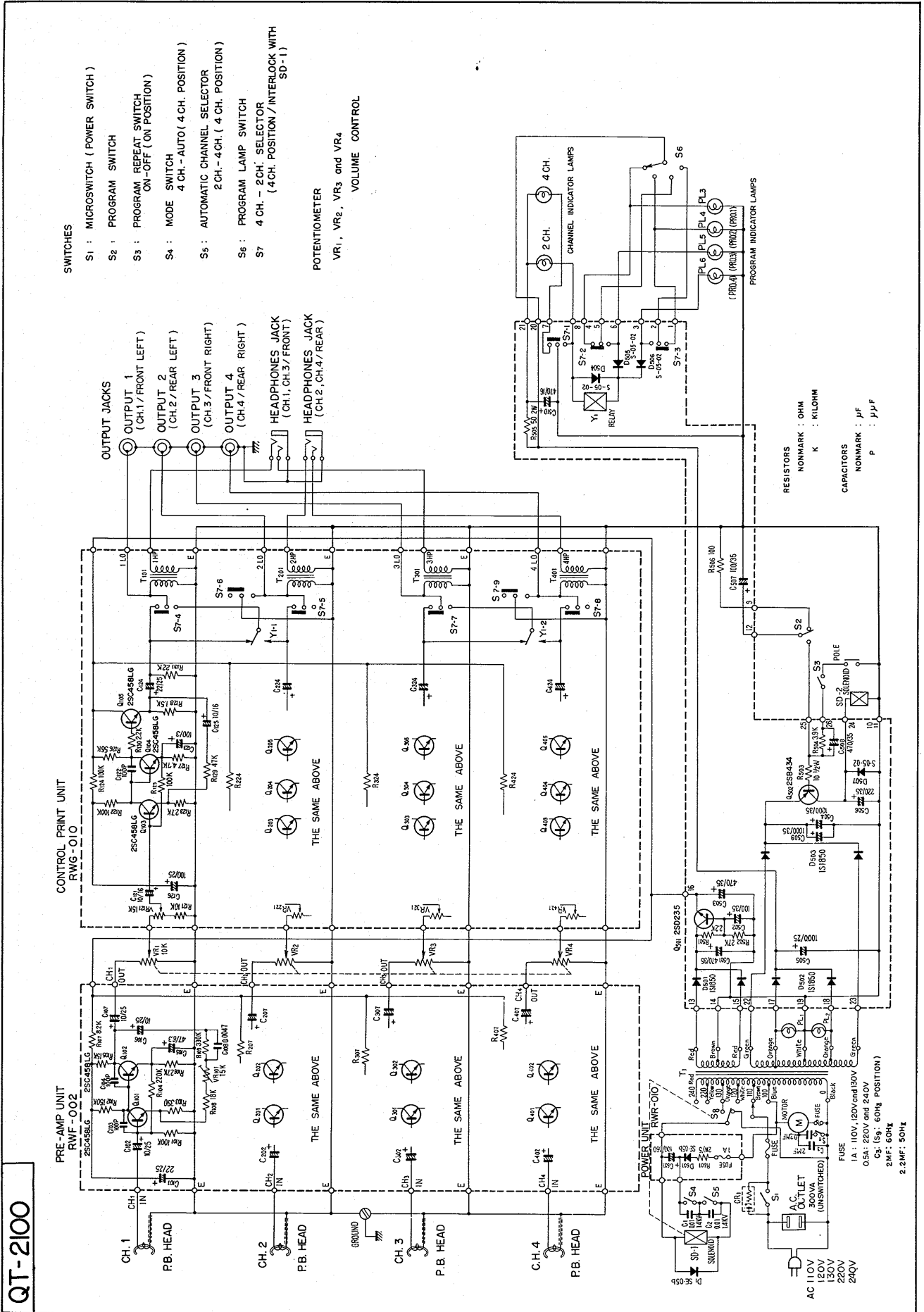
Model T-8800 AMPLIFIER

T-8800

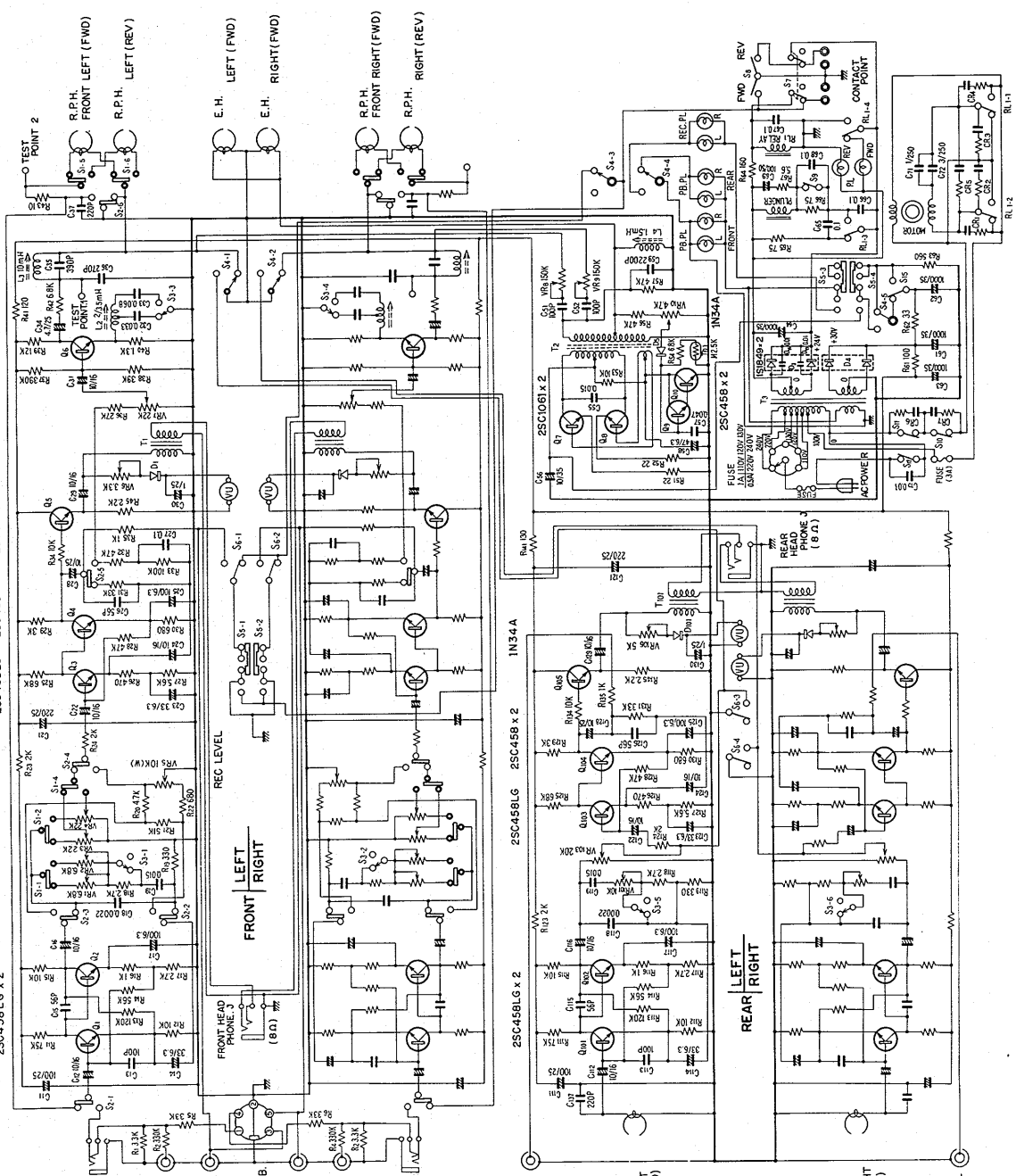


- 1) LEFT HAND
- 2) RIGHT HAND
- 3) STEREO
- 4) ON SOUND (L-P.B. R-REC)
- 5) ON SOUND (L-REC R-P.B.)
- 15) RESISTORS NONMARK: OHM
- 16) CAPACITORS NONMARK: uF, p, pF

Model QT-2100



- S_{1,3} FWD-REV SELECTOR SW (FWD POSITION)
- S₂ REC-REB SELECTOR SW (REV POSITION)
- S₃ EQUALIZER SELECTOR SW (7 1/2 IPS POSITION)
- S₄ MODE SW (4 CHANNEL POSITION)
- S₅ MUTING SW (PLAY POSITION)
- S₆ STOP OFF SW (PLAY / STOP POSITION)
- S₇ PRE SET SW (FWD POSITION)
- S₈ PLUNGER SW (FWD POSITION)
- S₉ MOTOR SW
- S₁₀ SHUT OFF SW
- S₁₁ METER SW
- S₁₂ OSC. SW
- RL₁ FWD-REV SELECTOR SW (FWD POSITION)
- VR_{1,101} PB EQUALIZER ADJ (FWD POSITION)
- VR₂ RB EQUALIZER ADJ (REV POSITION)
- VR₃ REC LEVEL ADJ (FWD POSITION)
- VR₄ RB LEVEL ADJ (REV POSITION)
- VR₅ REC LEVEL ADJ
- VR₆ REC LEVEL ADJ
- VR₇ REC LEVEL ADJ
- VR₈ REC LEVEL ADJ
- VR₉ RIGHT BIAS ADJ
- VR₁₀ OSC INTENSITY ADJ



FRONT
REAR

STEREO TURNTABLES



PL-11 (PU-11)



PL-12 (PU-12)



PL-15 (PU-15)



PL-25



PL-A25 (PU-A25)



PL-30



PL-31D



PL-A35



PL-41A (PL-41, PL-41D)



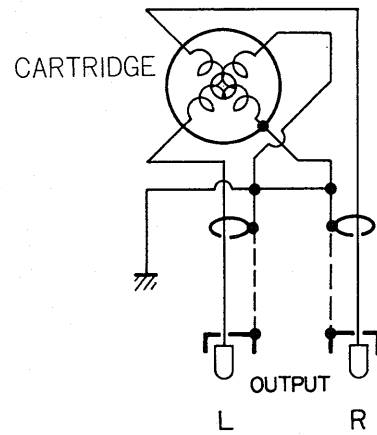
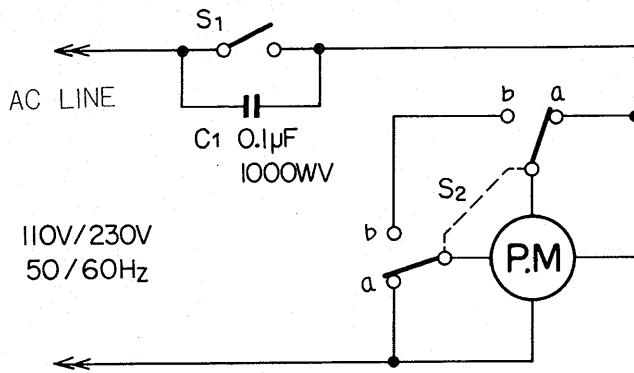
PL-50

TURNTABLE

Model PL-11/P, PL-11/PV, PL-11A/PV

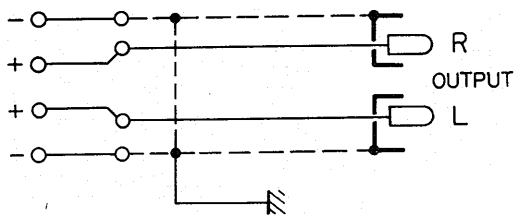
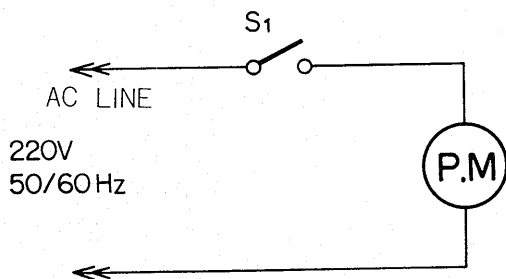
Model PL-12/M, PL-12A/PV, PL-12/PV, PU-12/P

Model PL-15/PV, PU-15/P



- S1 POWER SWITCH
- S2 LINE VOLTAGE SELECTOR

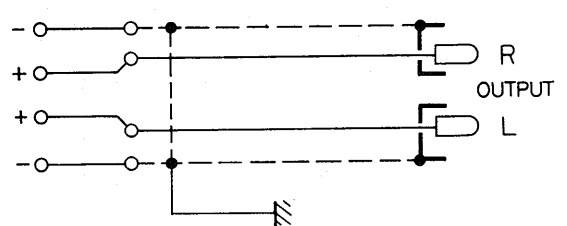
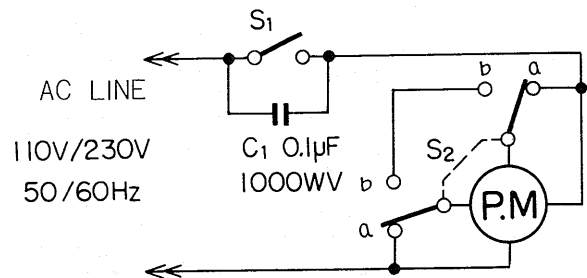
Model PL-12AC/NB



- S1 POWER SWITCH

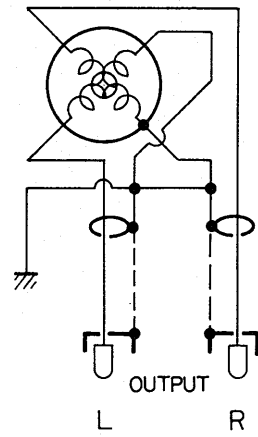
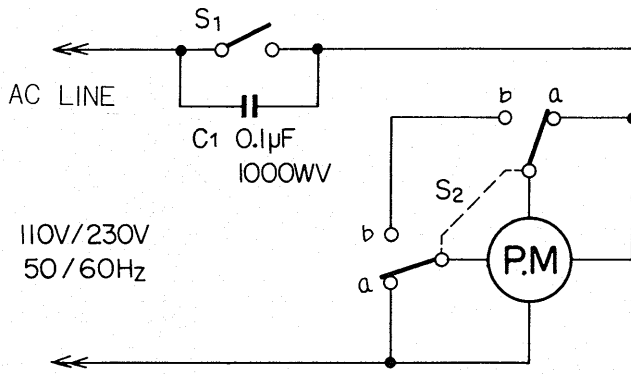
Model PL-11C/PV, PU-11/P, PL-11AC/PV

Model PL-12AC/PV, PL-15C/PV



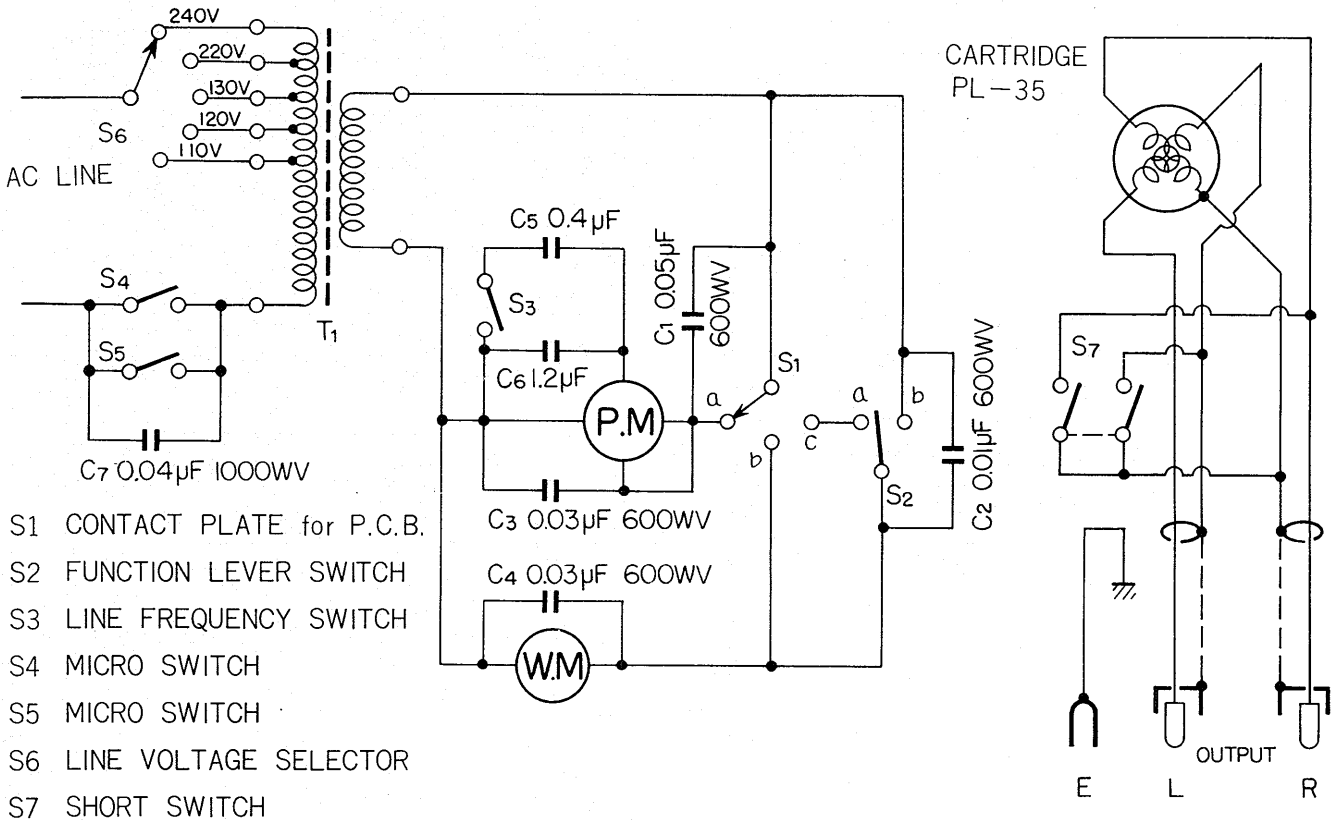
- S1 POWER SWITCH
- S2 LINE VOLTAGE SELECTOR

Model PL-25/F



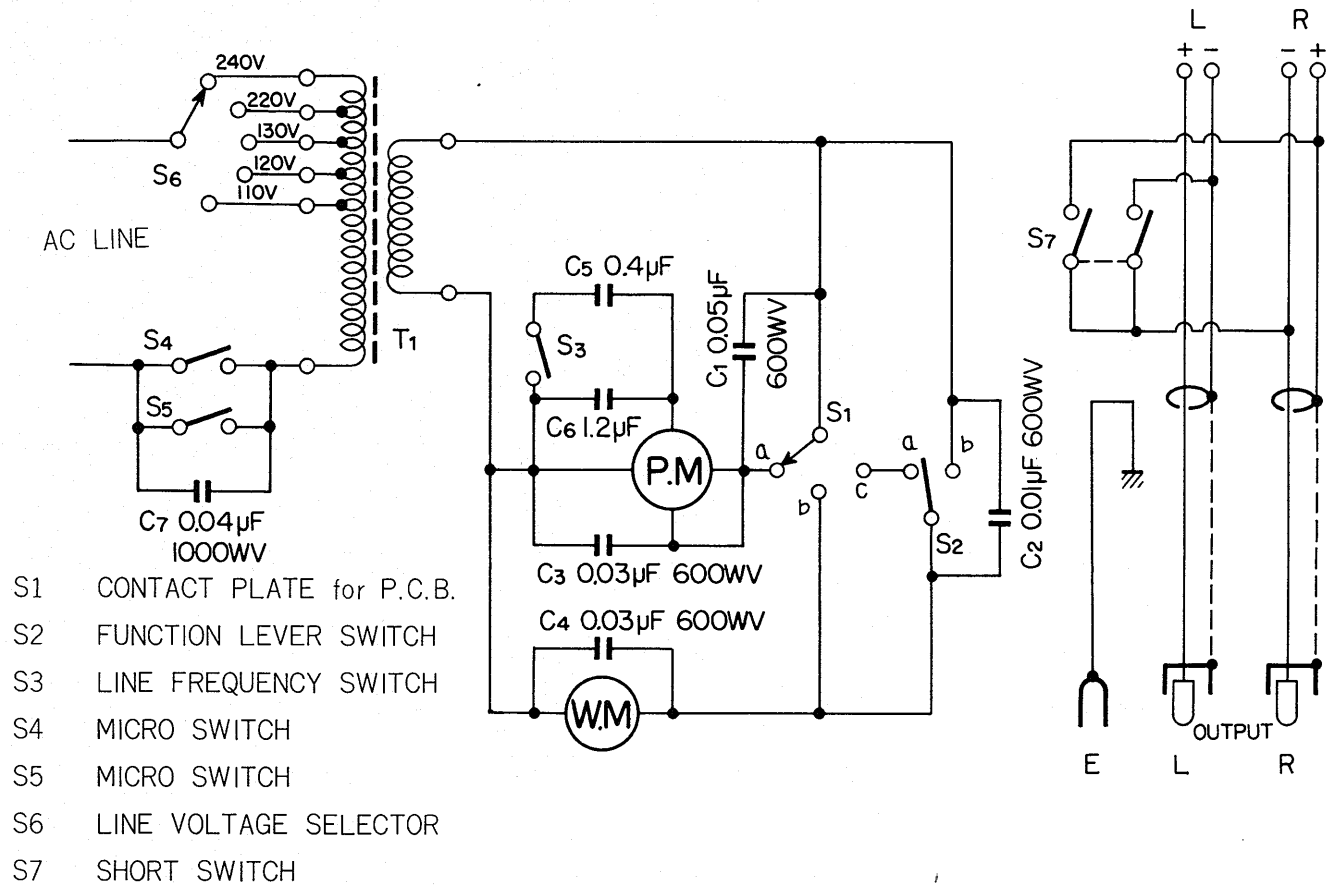
- S1 POWER SWITCH
- S2 LINE VOLTAGE SELECTOR

Model PL-A25/FV

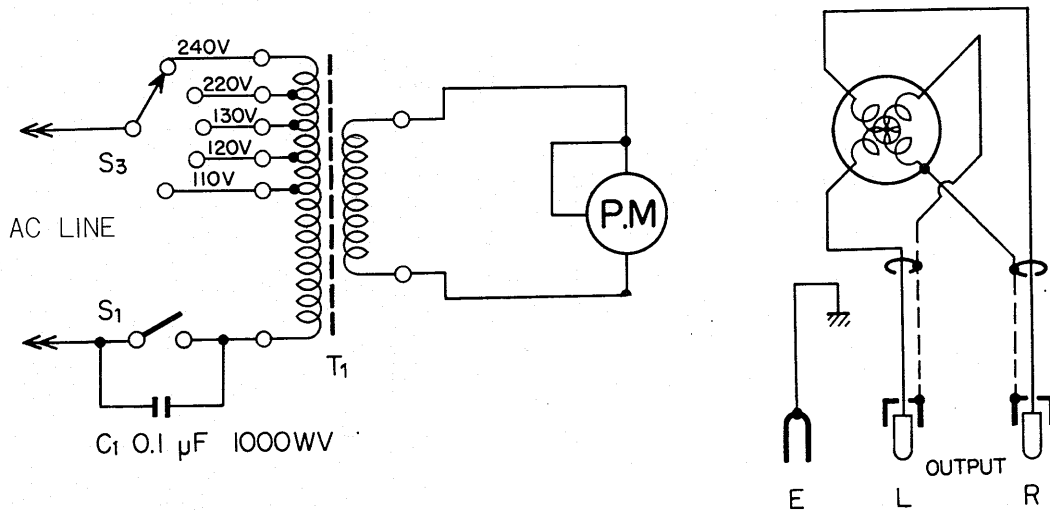


- S1 CONTACT PLATE for P.C.B.
- S2 FUNCTION LEVER SWITCH
- S3 LINE FREQUENCY SWITCH
- S4 MICRO SWITCH
- S5 MICRO SWITCH
- S6 LINE VOLTAGE SELECTOR
- S7 SHORT SWITCH

Model PL-A25/FVT, PU-A25/FV

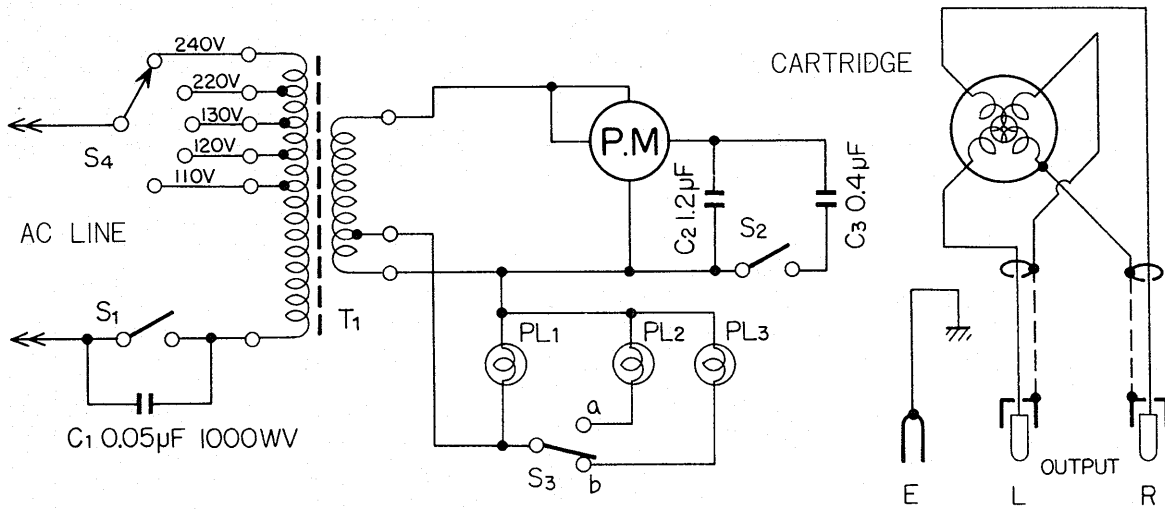


Model PL-30/F



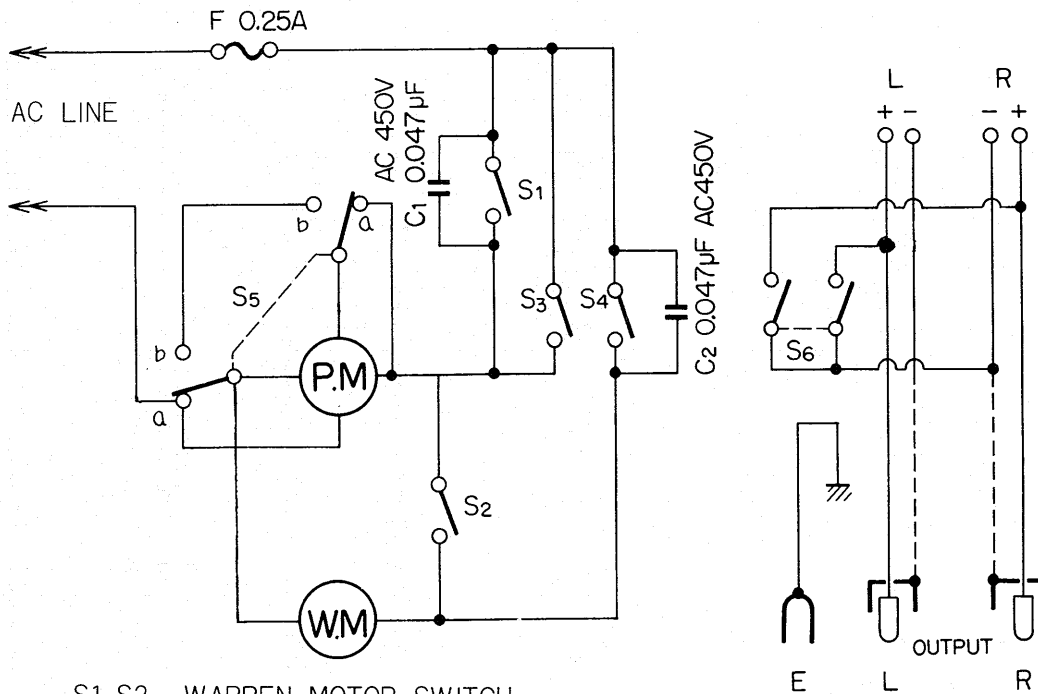
- S1 POWER SWITCH
 S2 LINE VOLTAGE SELECTOR

Model PL-31D/FV, PL-31D/F



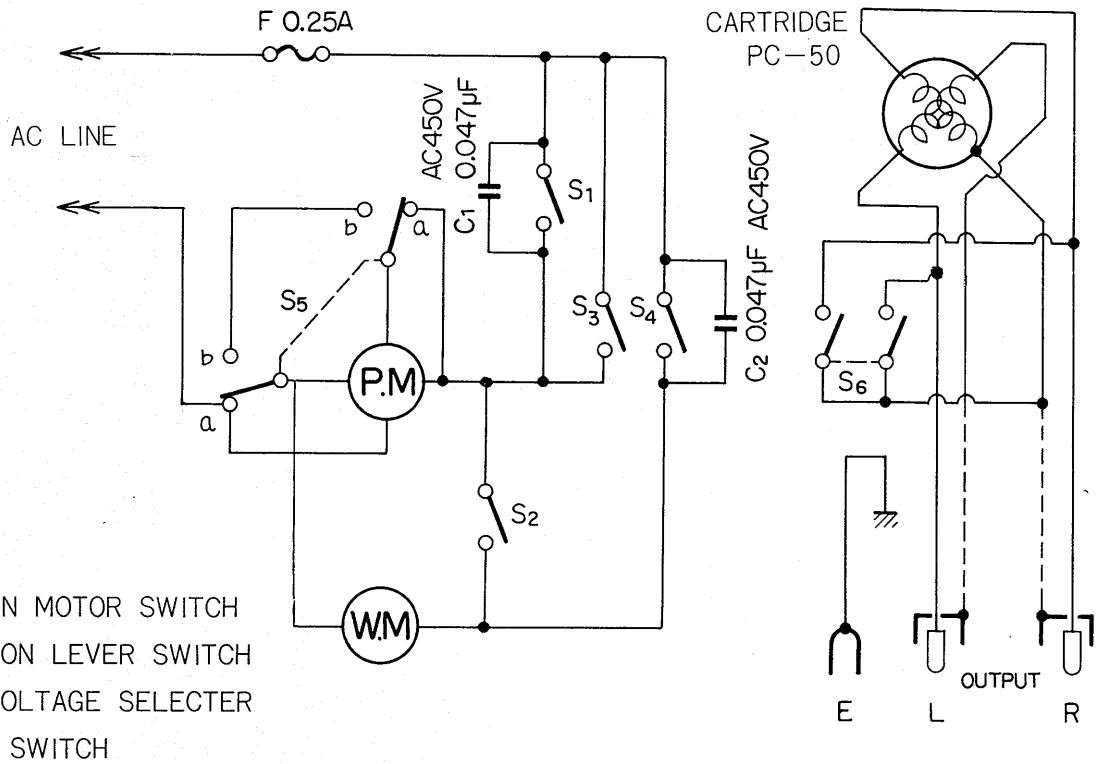
- S1 POWER SWITCH
- S2 LINE FREQUENCY SELECTOR
- S3 SPEED SELECTOR SWITCH
- S4 LINE VOLTAGE SELECTOR

Model PL-A35/PVT

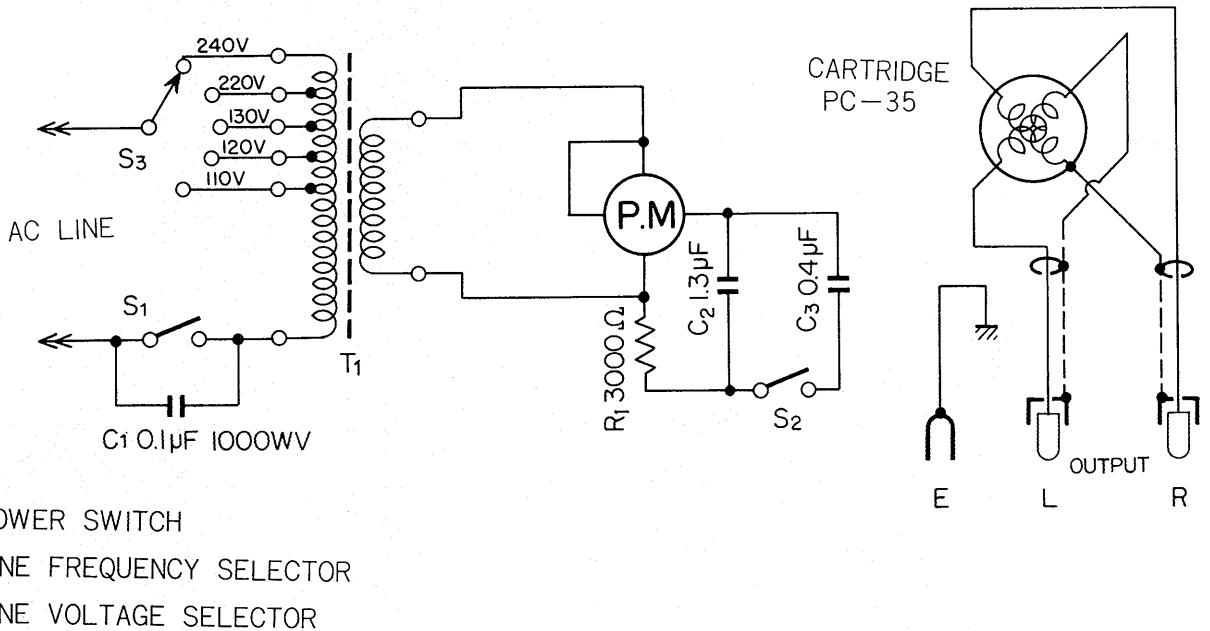


- S1,S2 WARREN MOTOR SWITCH
- S3,S4 FUNCTION LEVER SWITCH
- S5 LINE VOLTAGE SELECTOR
- S6 SHORT SWITCH

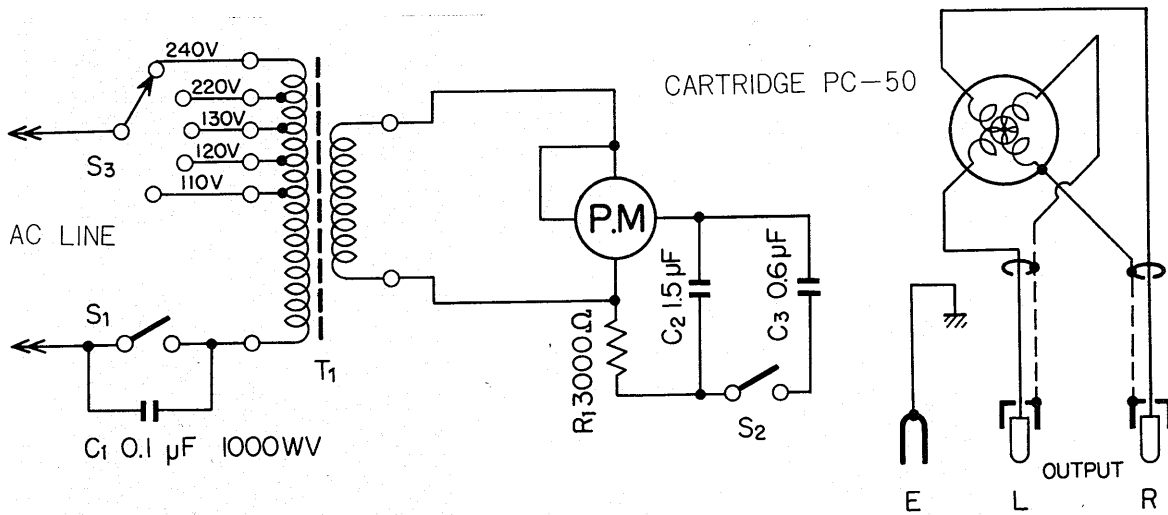
Model PL-A35/PV



Model PL-41/F, PL-41A/FV

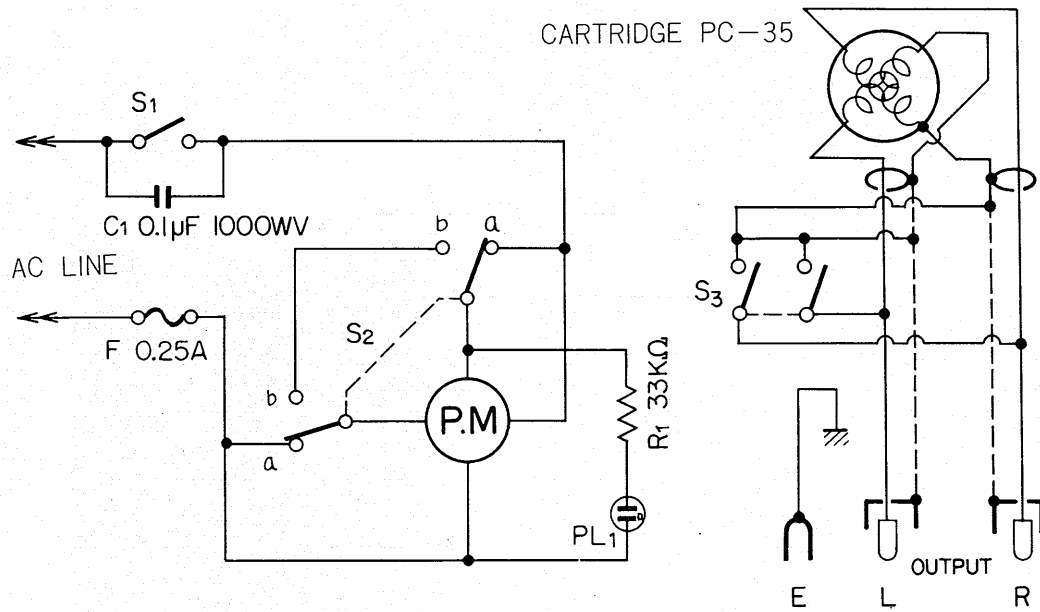


Model PL-41D/F



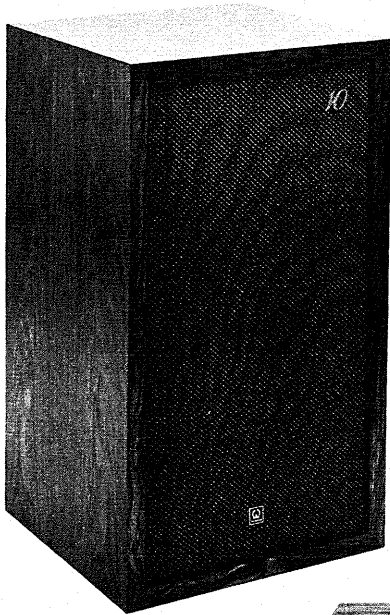
- S1 POWER SWITCH
- S2 LINE FREQUENCY SELECTOR
- S3 LINE VOLTAGE SELECTOR

Model PL-50/PV

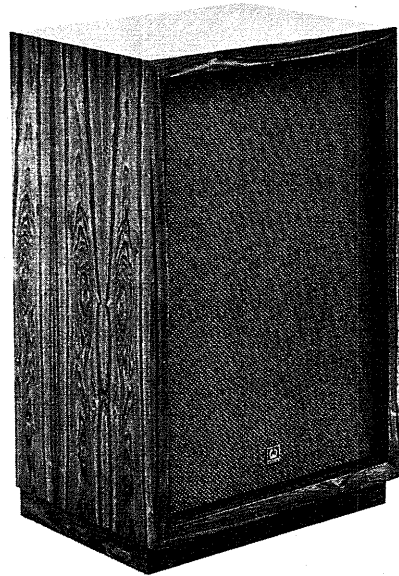


- S1 POWER SWITCH
- S2 LINE VOLTAGE SELECTOR
- S3 SHORT SWITCH

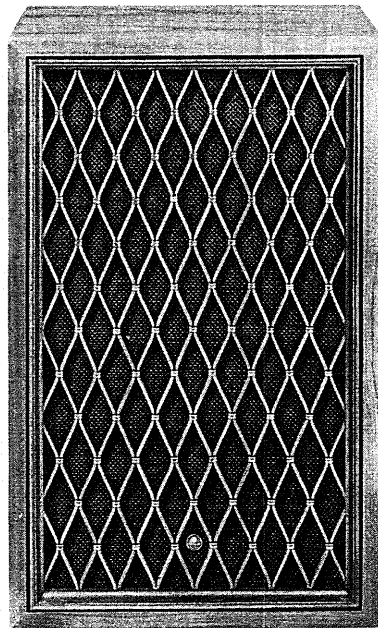
SPEAKER SYSTEMS



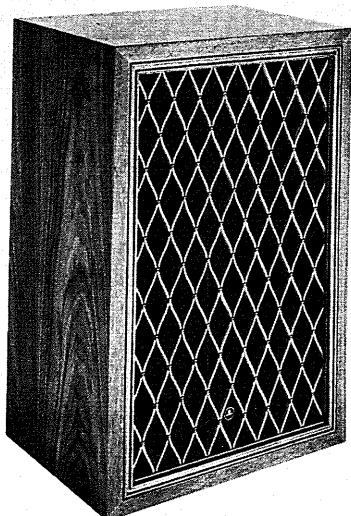
CS-5
CS-7
CS-8
CS-10



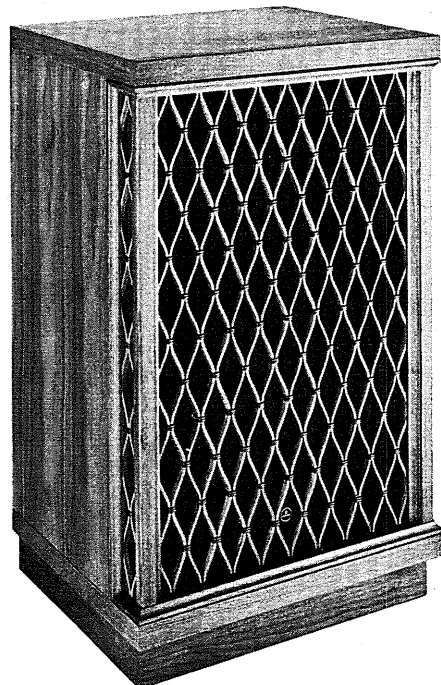
CS-15
CS-30
CS-40
CS-50
CS-60
CS-100



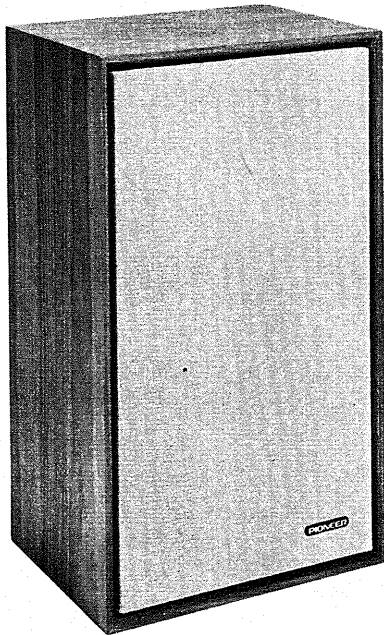
CS-22
CS-33
CS-44
CS-55
CS-66
CS-77
CS-88
CS-99



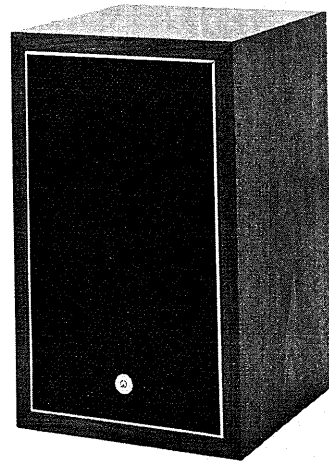
CS-22A
CS-33A
CS-77A
CS-88A
CS-99A



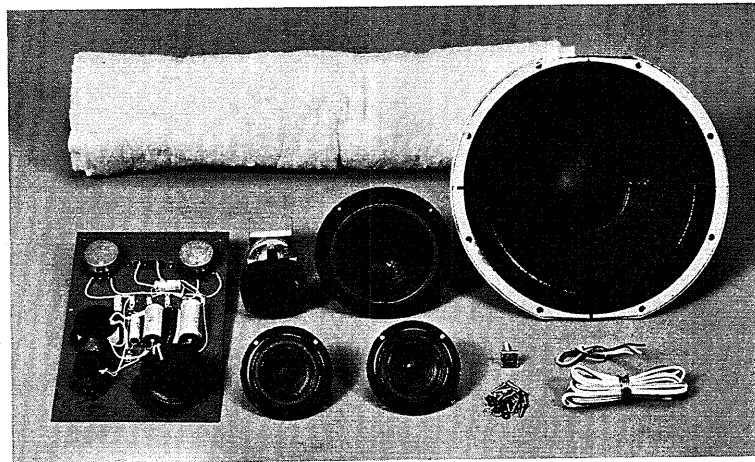
CS-A500
CS-A700
CS-A770



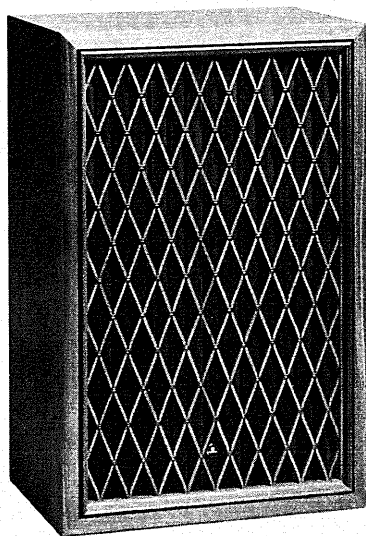
CS-E350
CS-E400
CS-E500
CS-E600
CS-E700
CS-E900



CS-51
CS-52
CS-52T
CS-53
CS-54



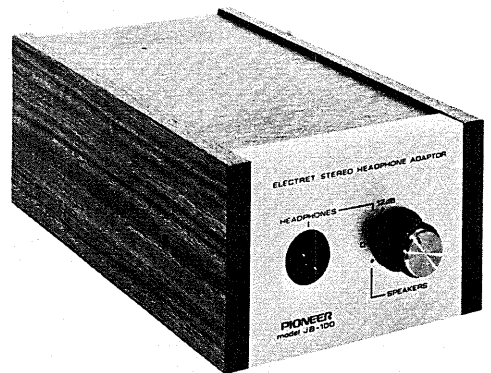
AS-200
AS-303A
AS-305A



CS-63
CS-63A
CS-63DX
CS-05

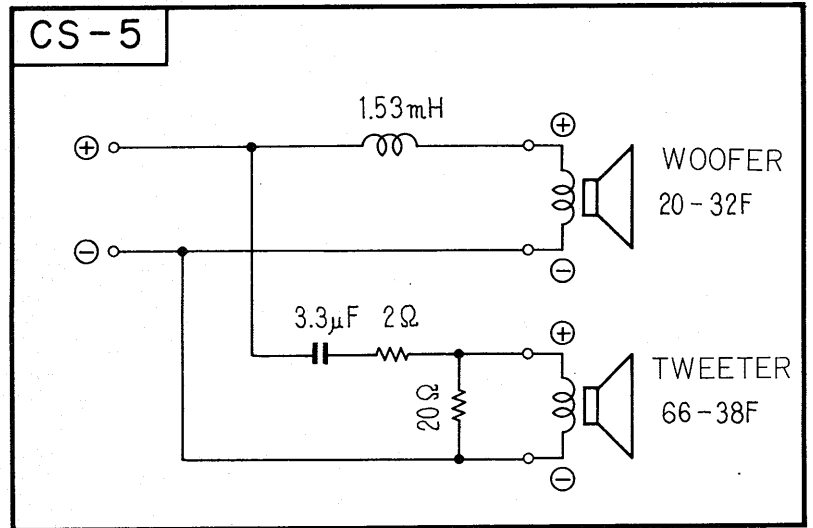


JB-100
SE-50

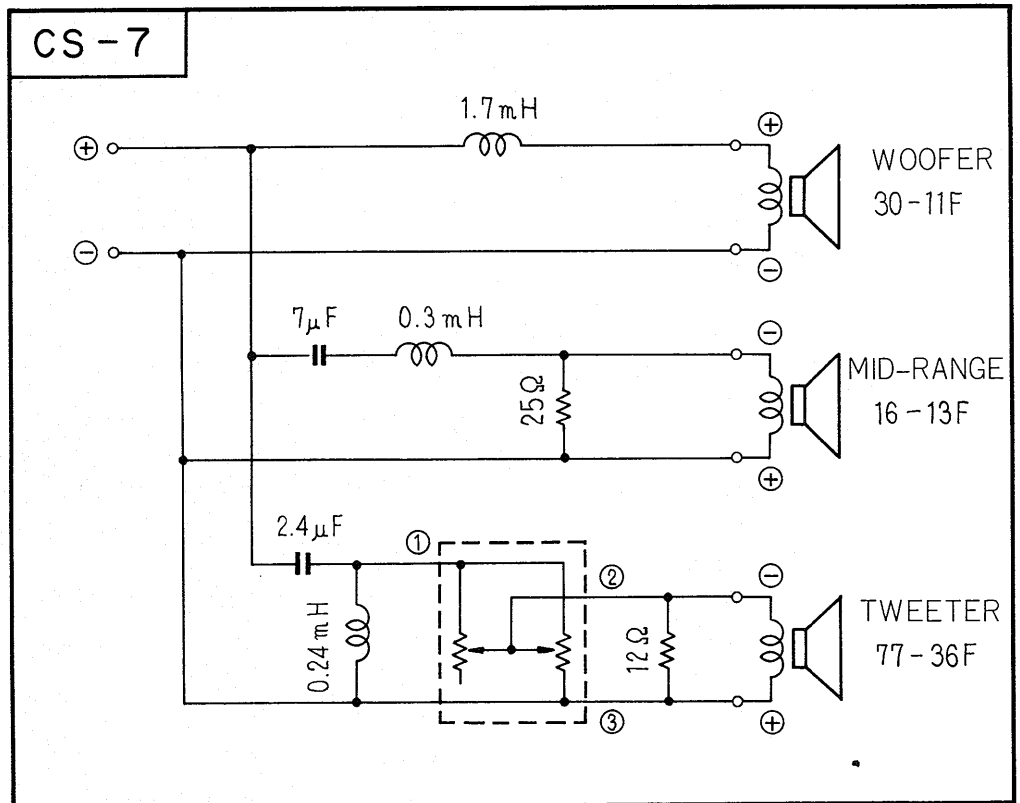


SPEAKER SYSTEM

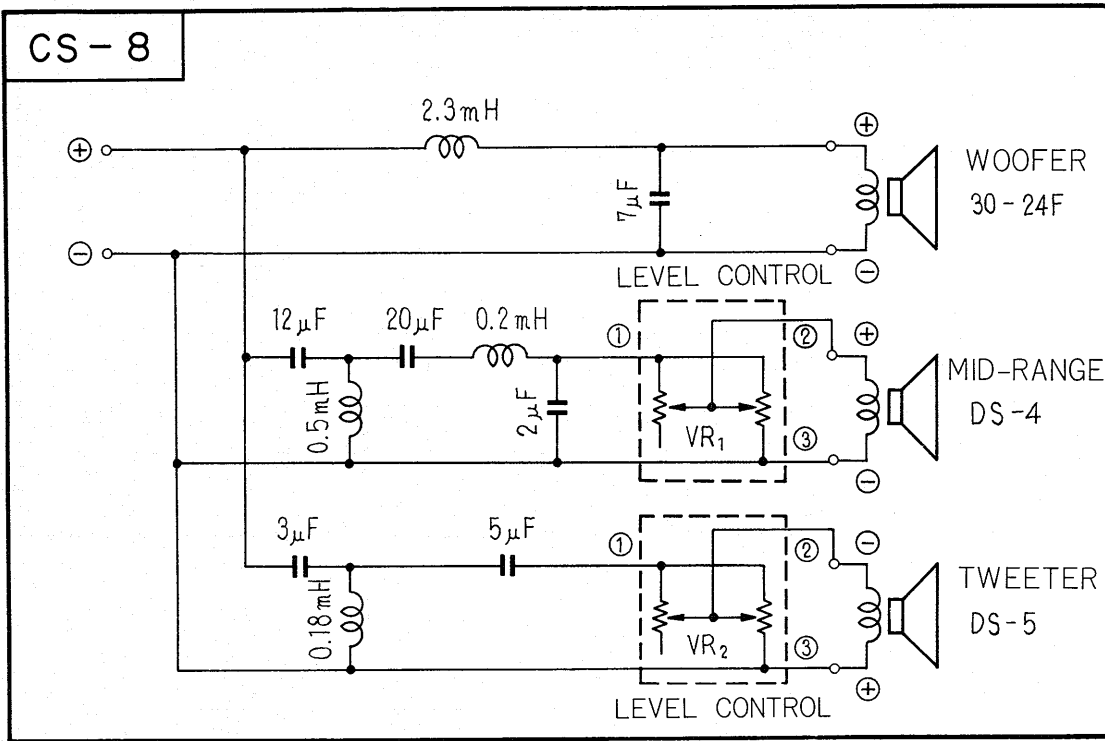
Model CS-5



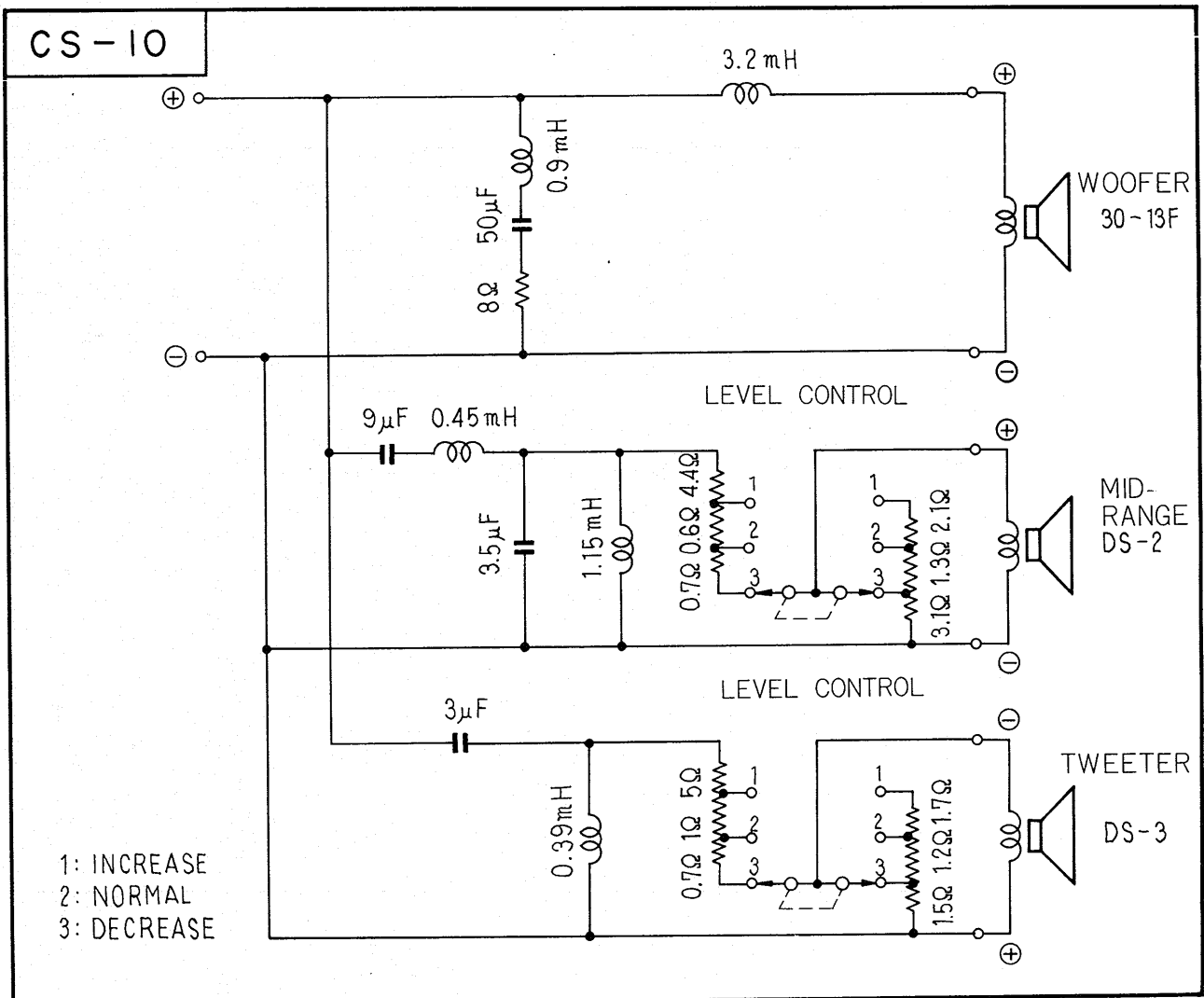
Model CS-7



Model CS-8

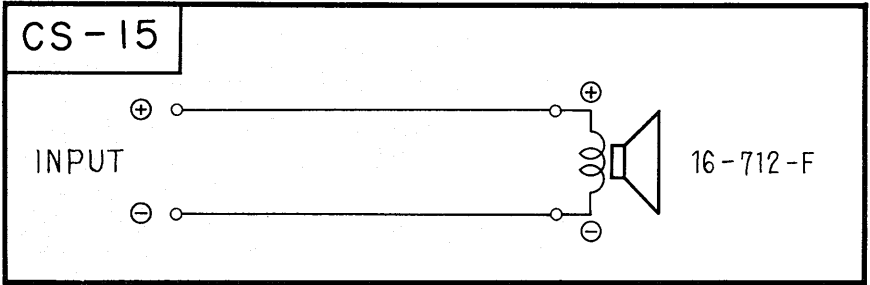


Model CS-10

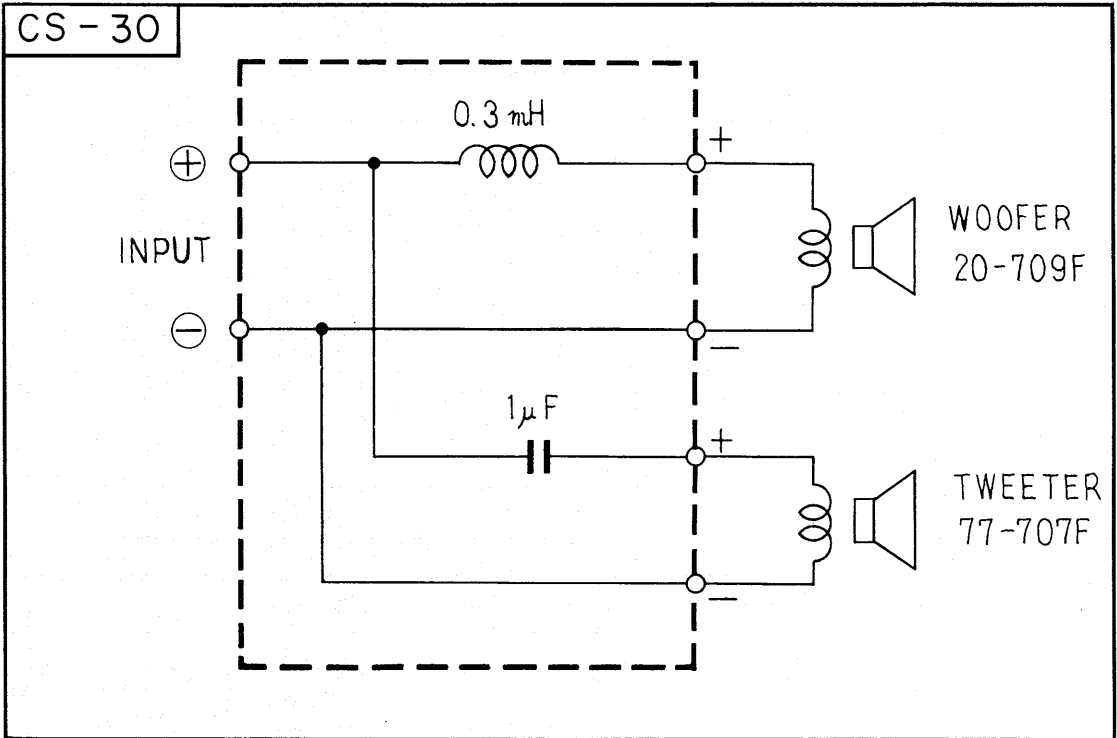


SPEAKER SYSTEM

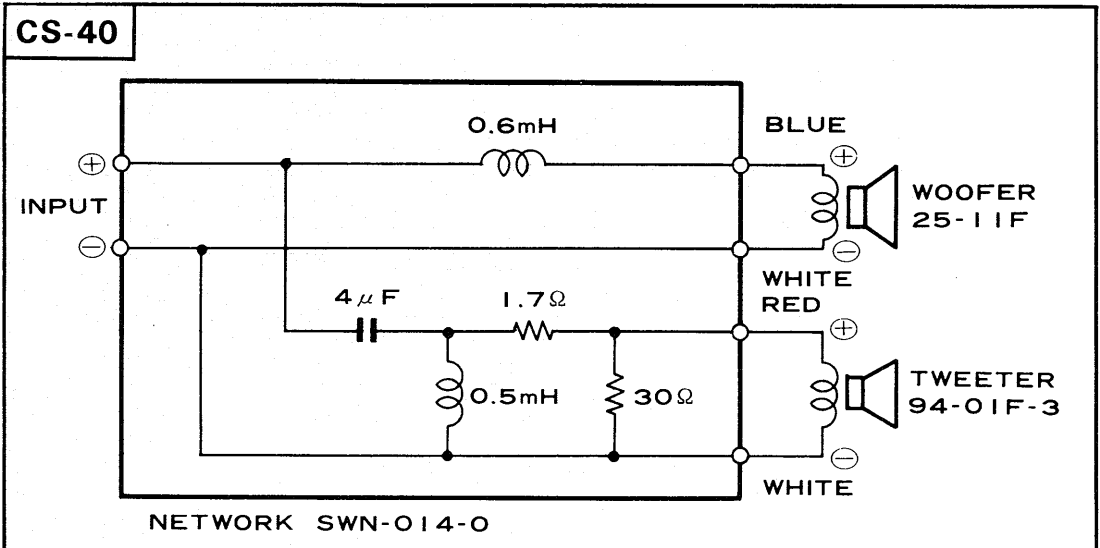
Model CS-15



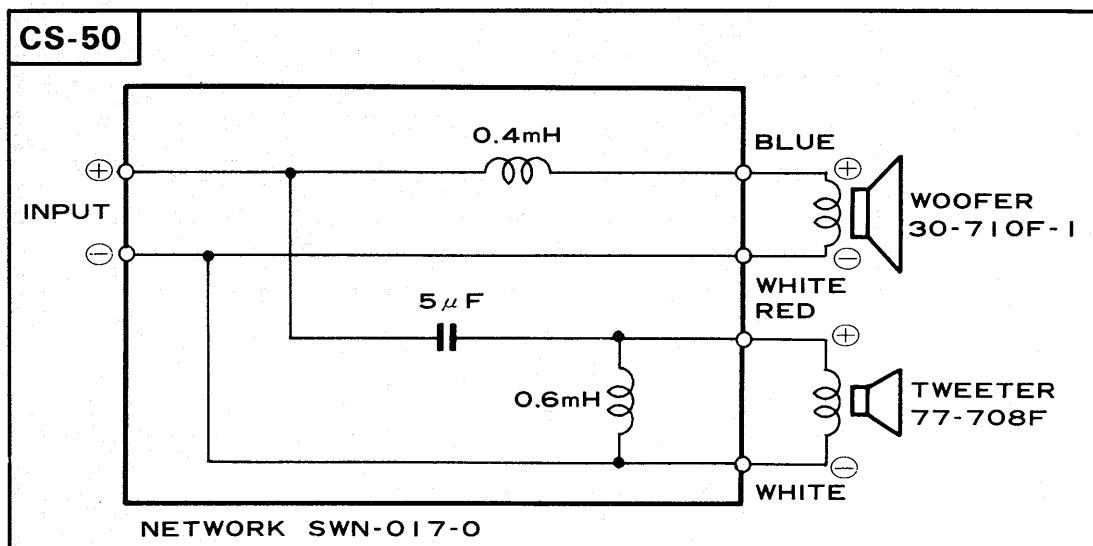
Model CS-30



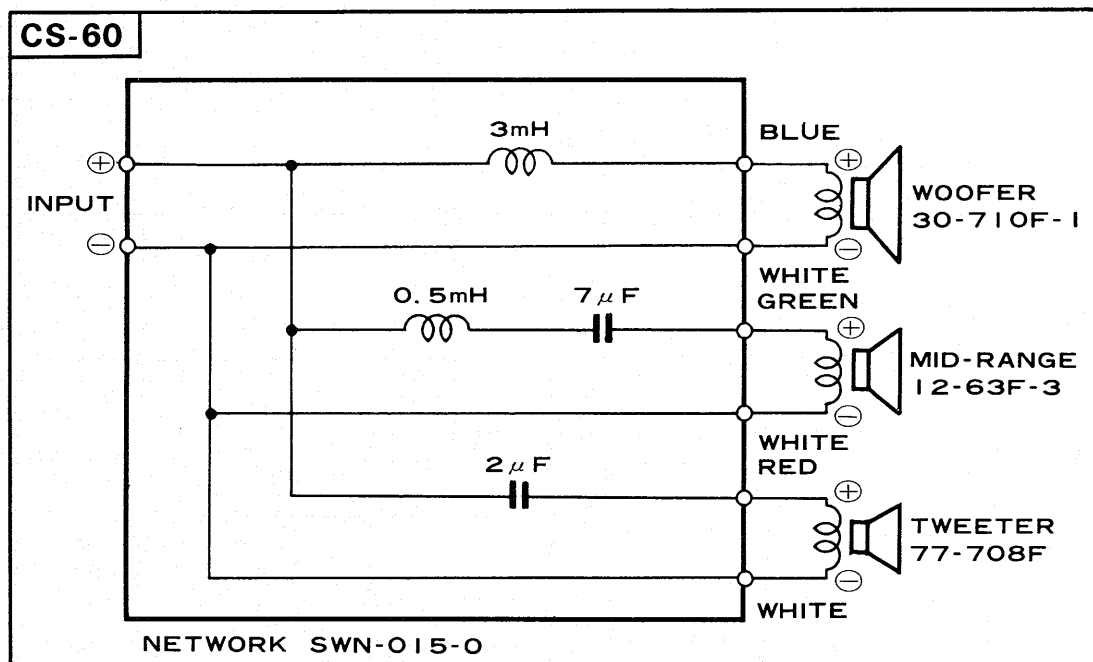
Model CS-40



Model CS-50

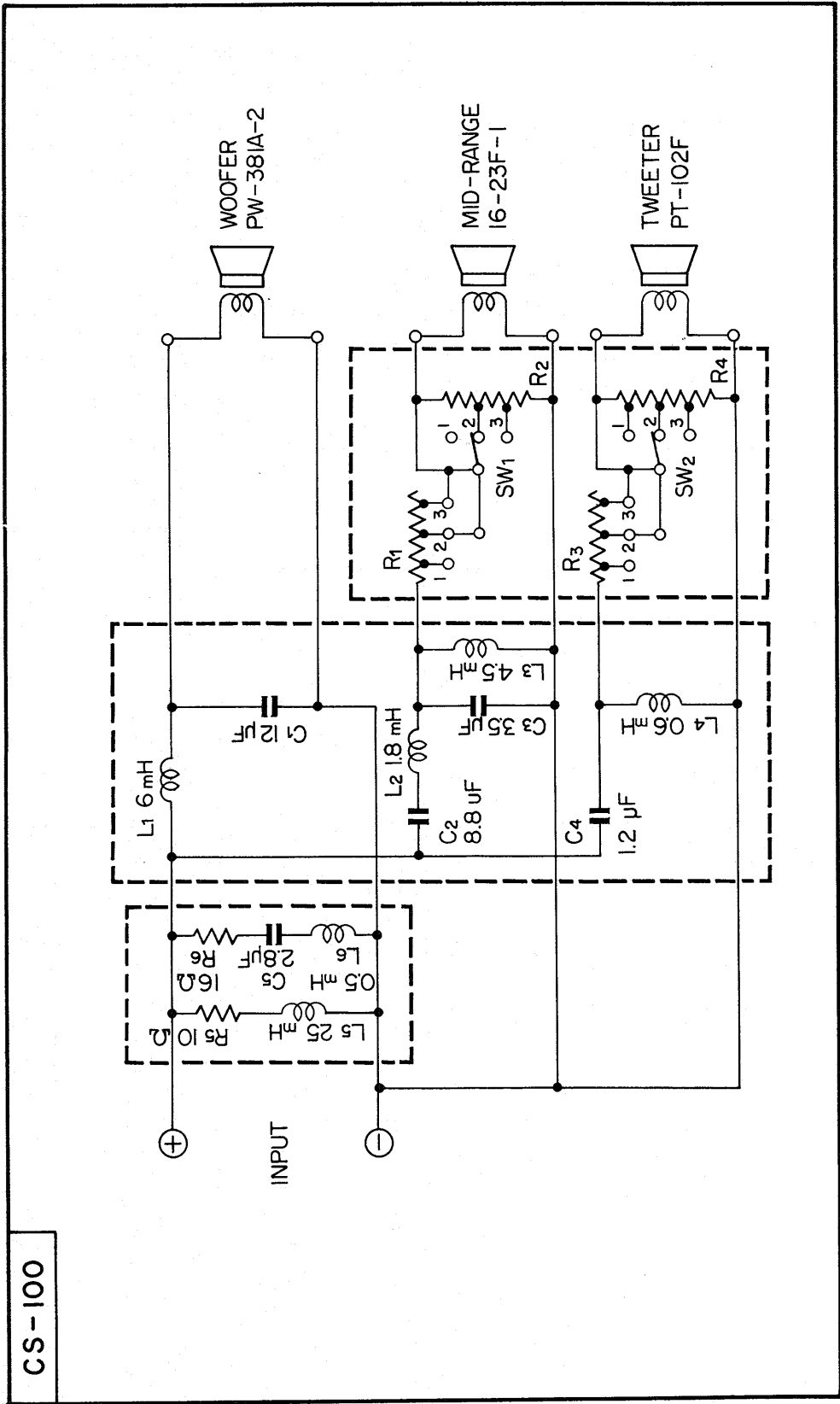


Model CS-60

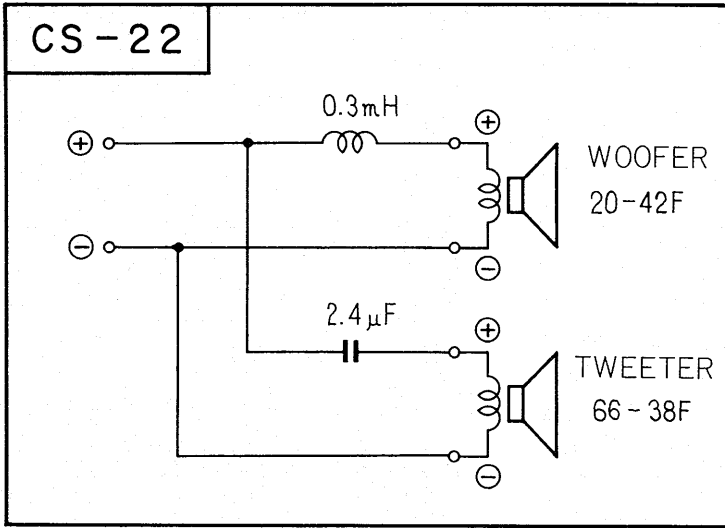


SPEAKER SYSTEM

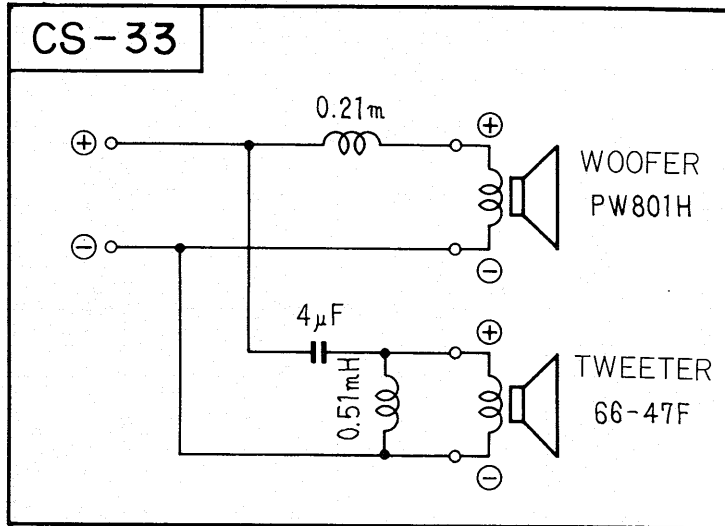
Model CS-100



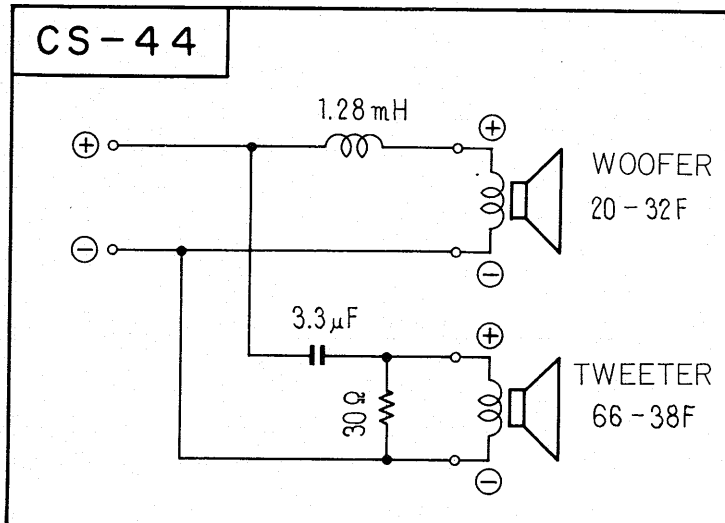
Model CS-22



Model CS-33

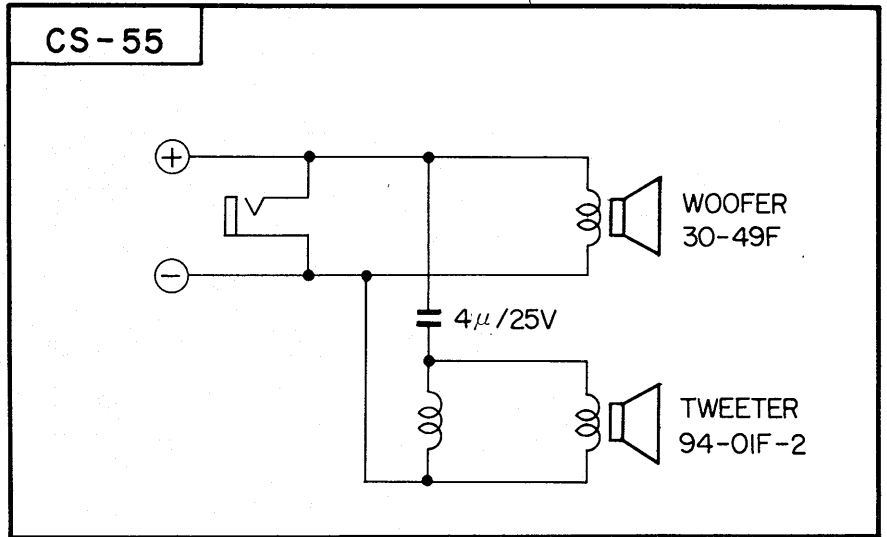


Model CS-44

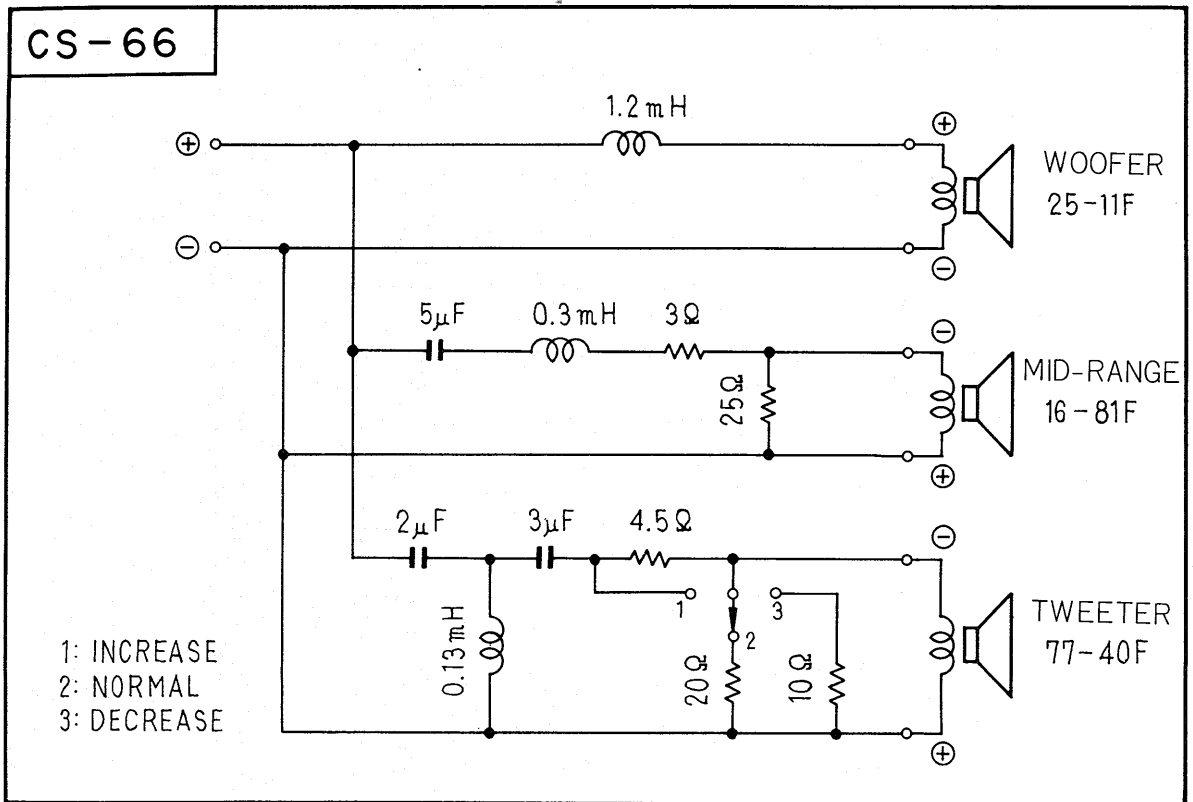


SPEAKER SYSTEM

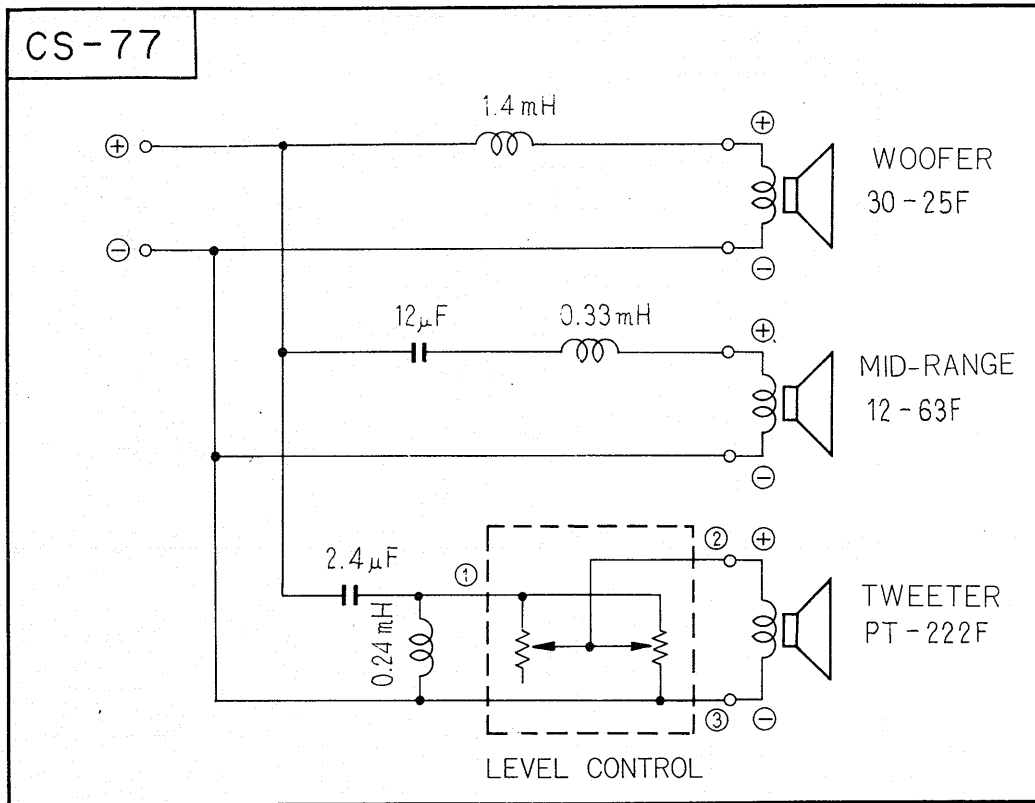
Model CS-55



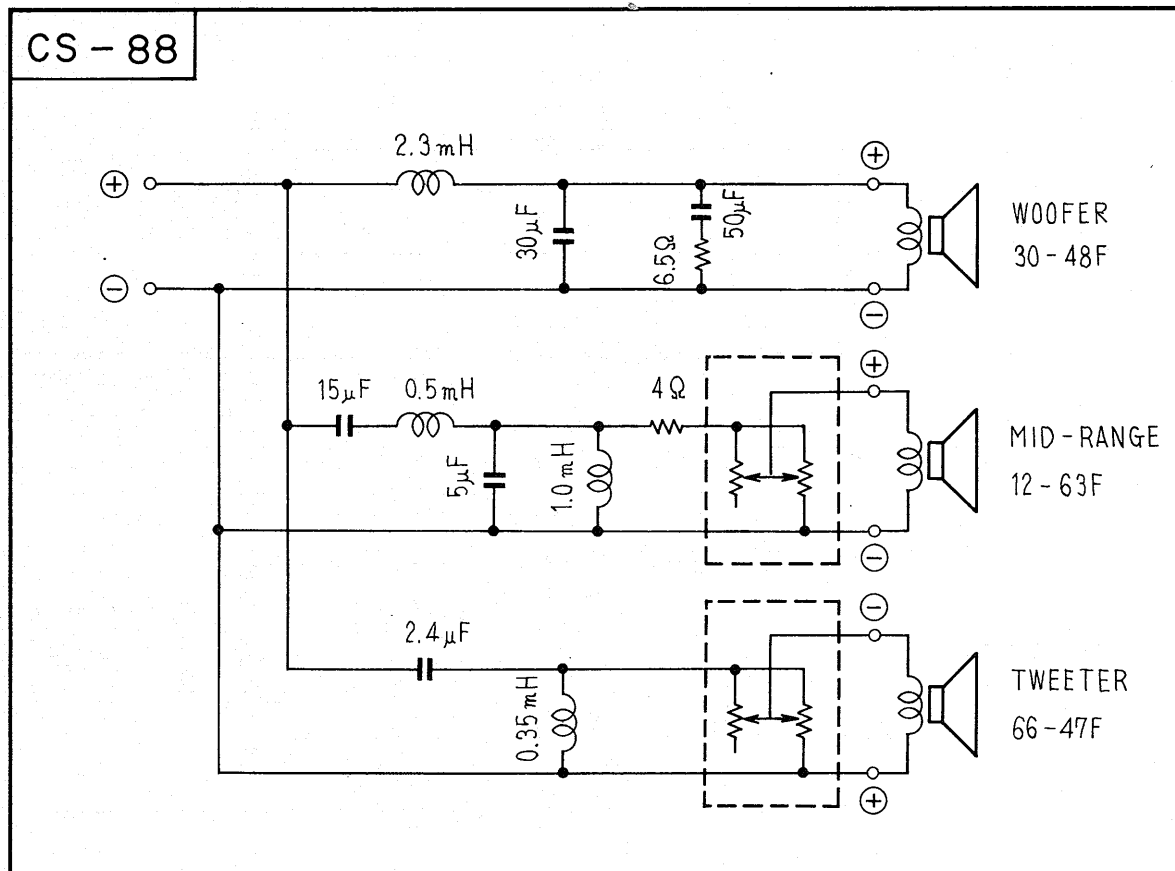
Model CS-66



Model CS-77

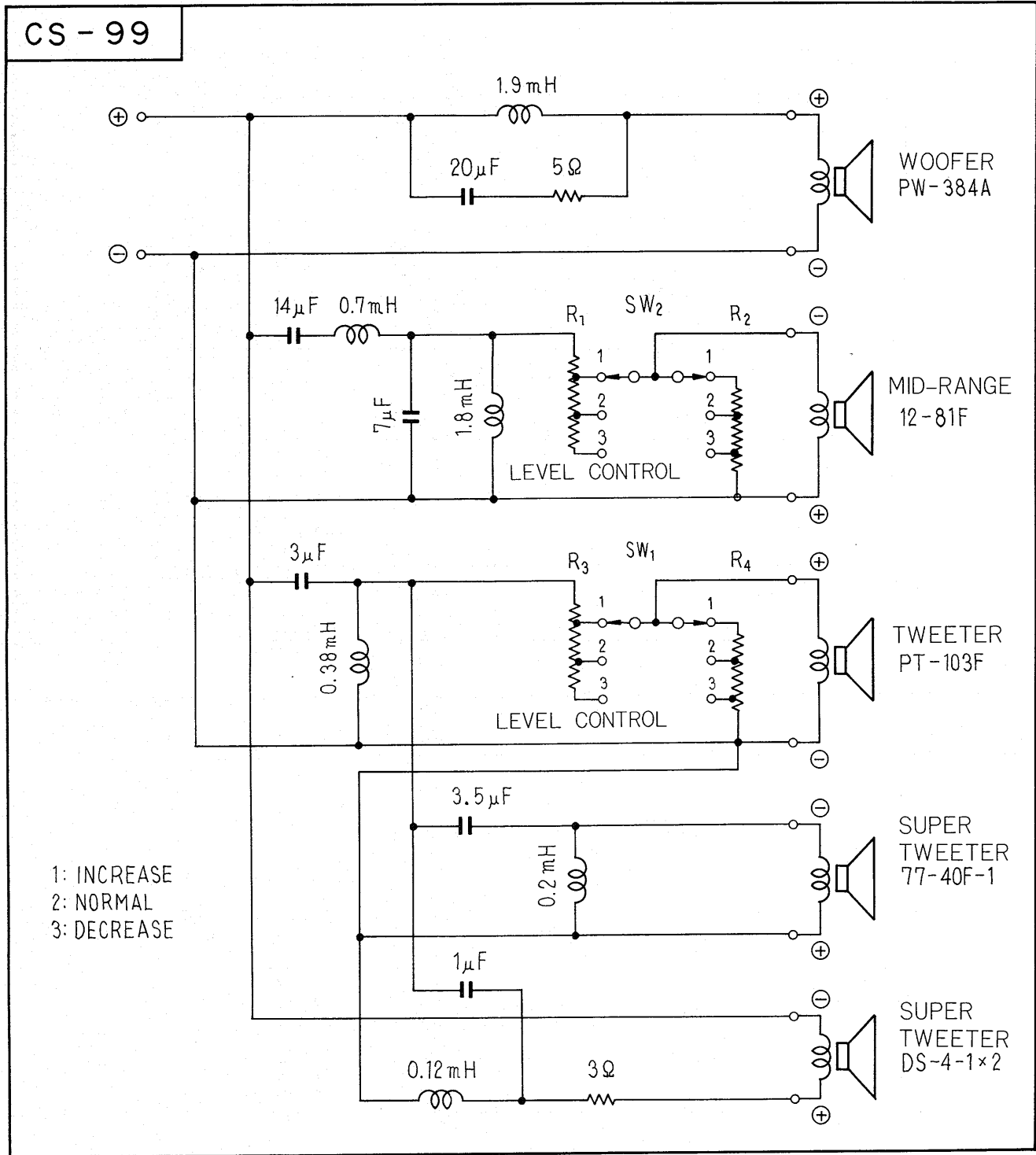


Model CS-88

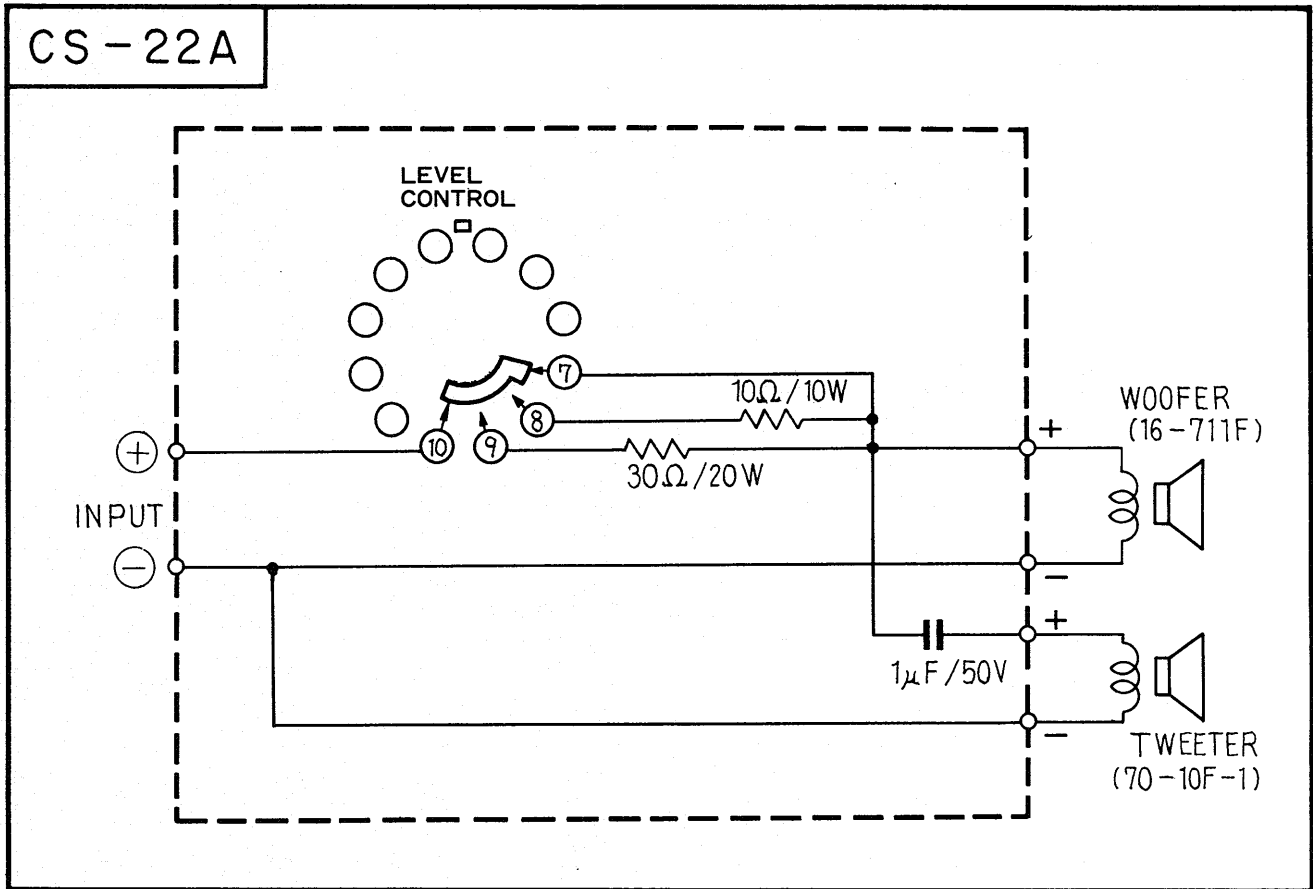


SPEAKER SYSTEM

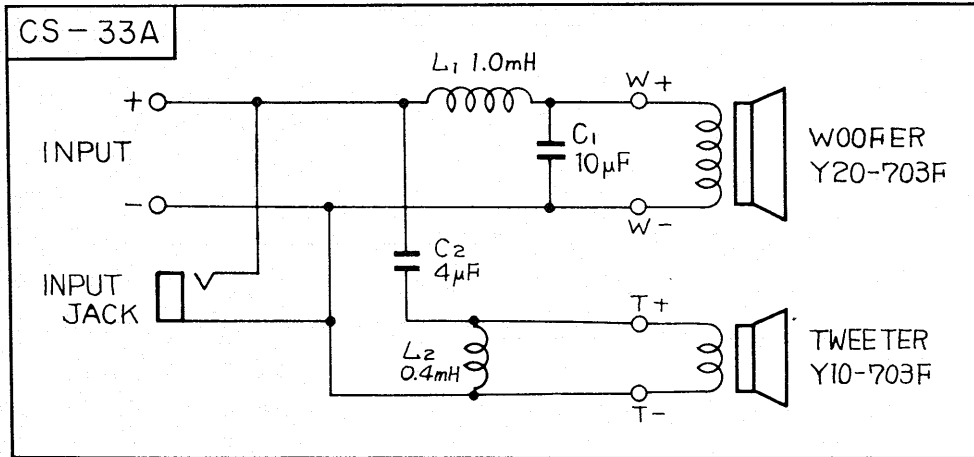
Model CS-99



Model CS-22A



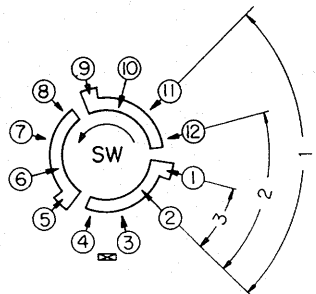
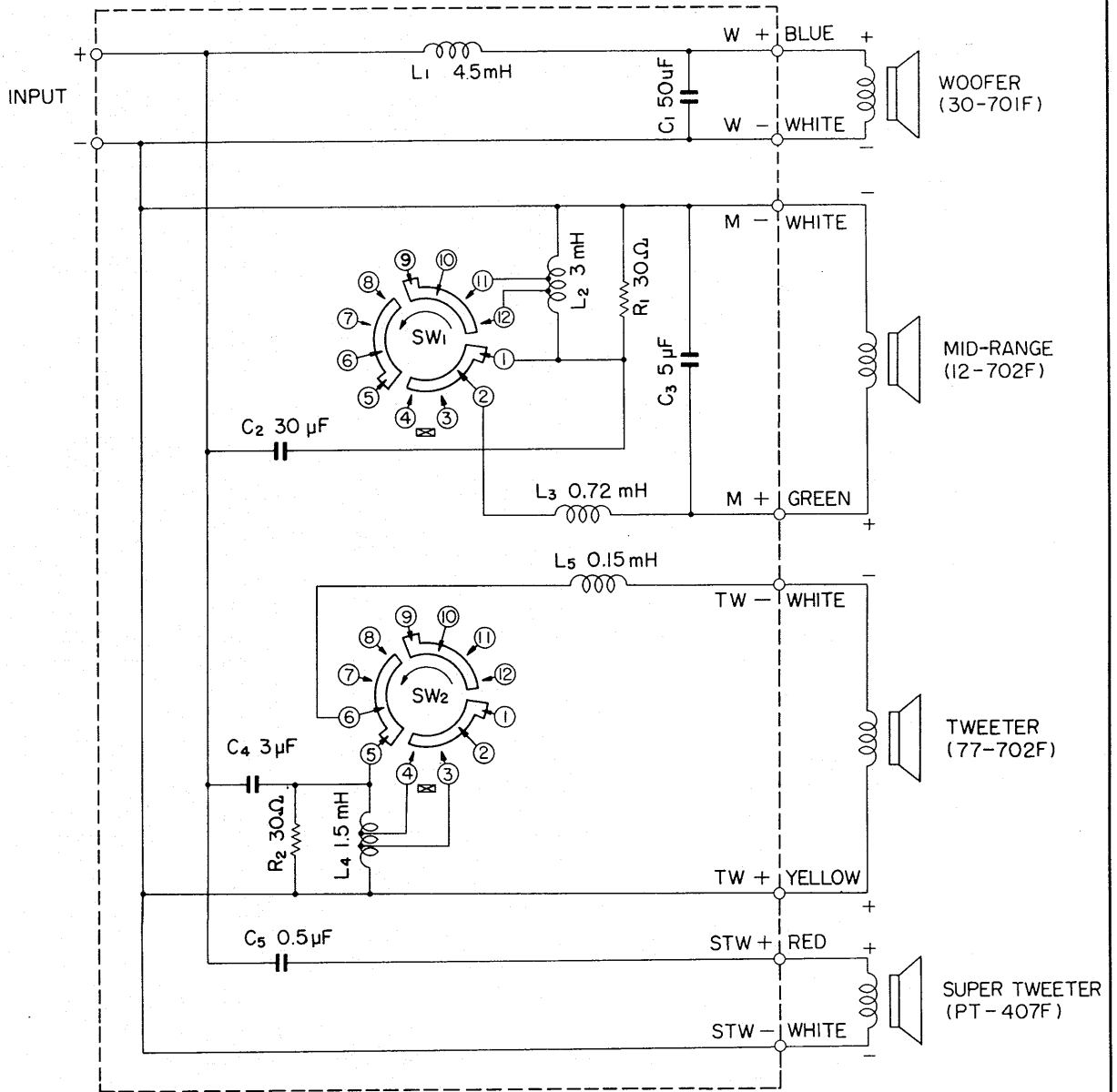
Model CS-33A



SPEAKER SYSTEM

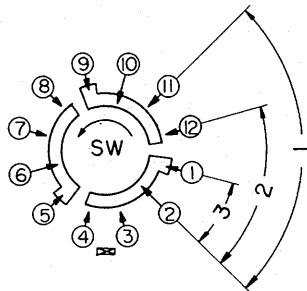
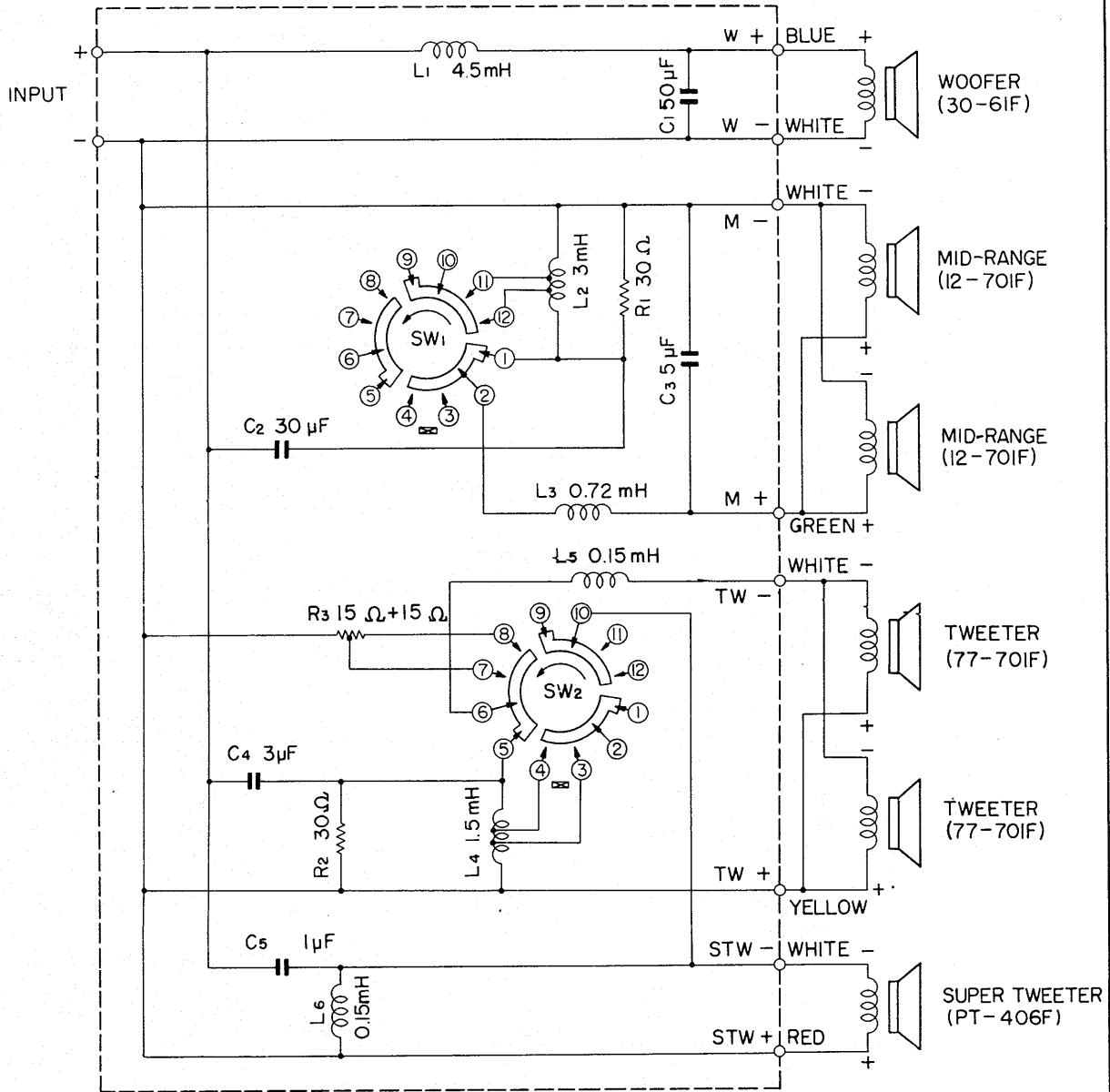
Model CS-77A

CS-77A



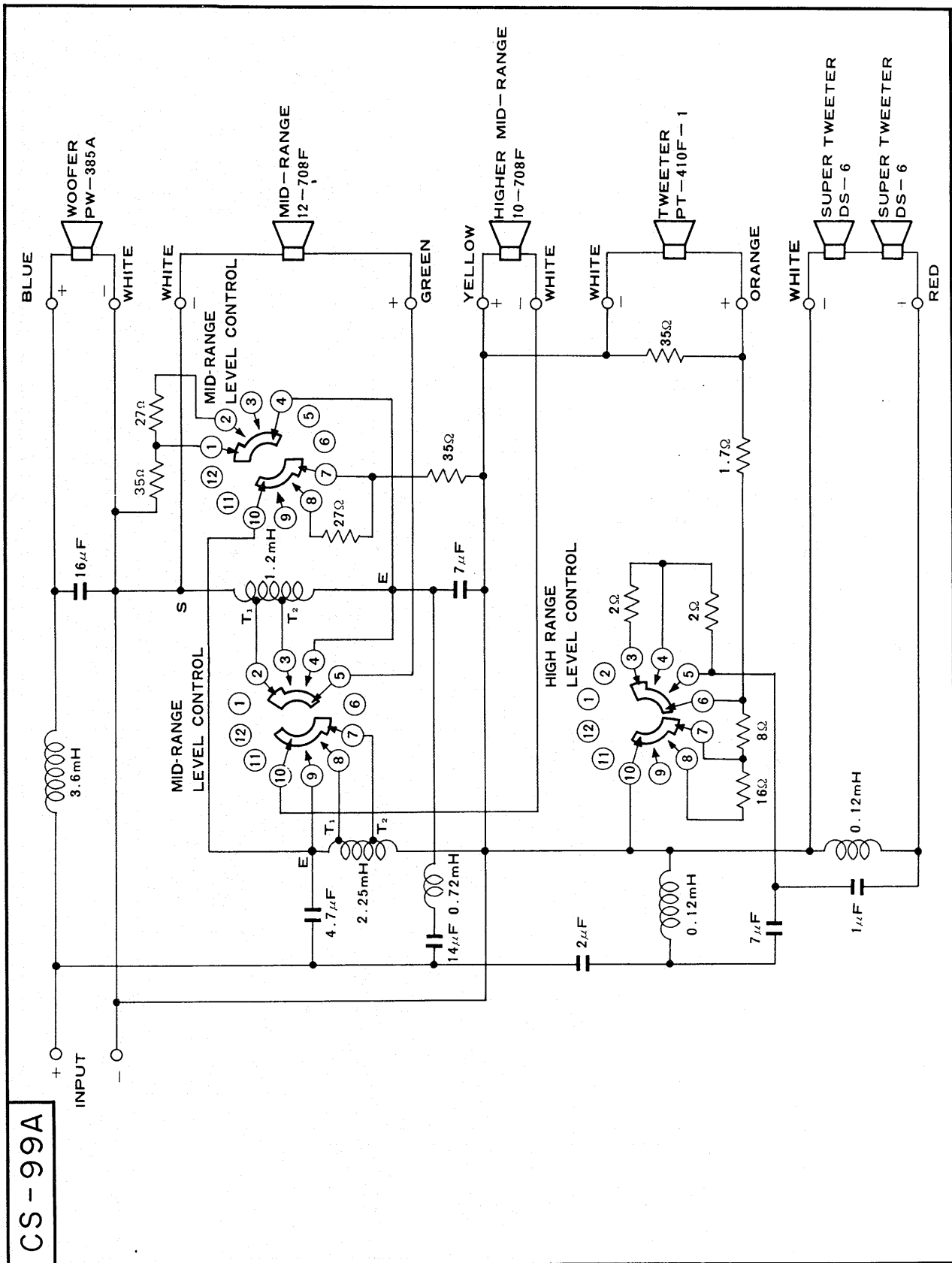
- 1: DECREASE
- 2: NORMAL
- 3: INCREASE

CS-88A



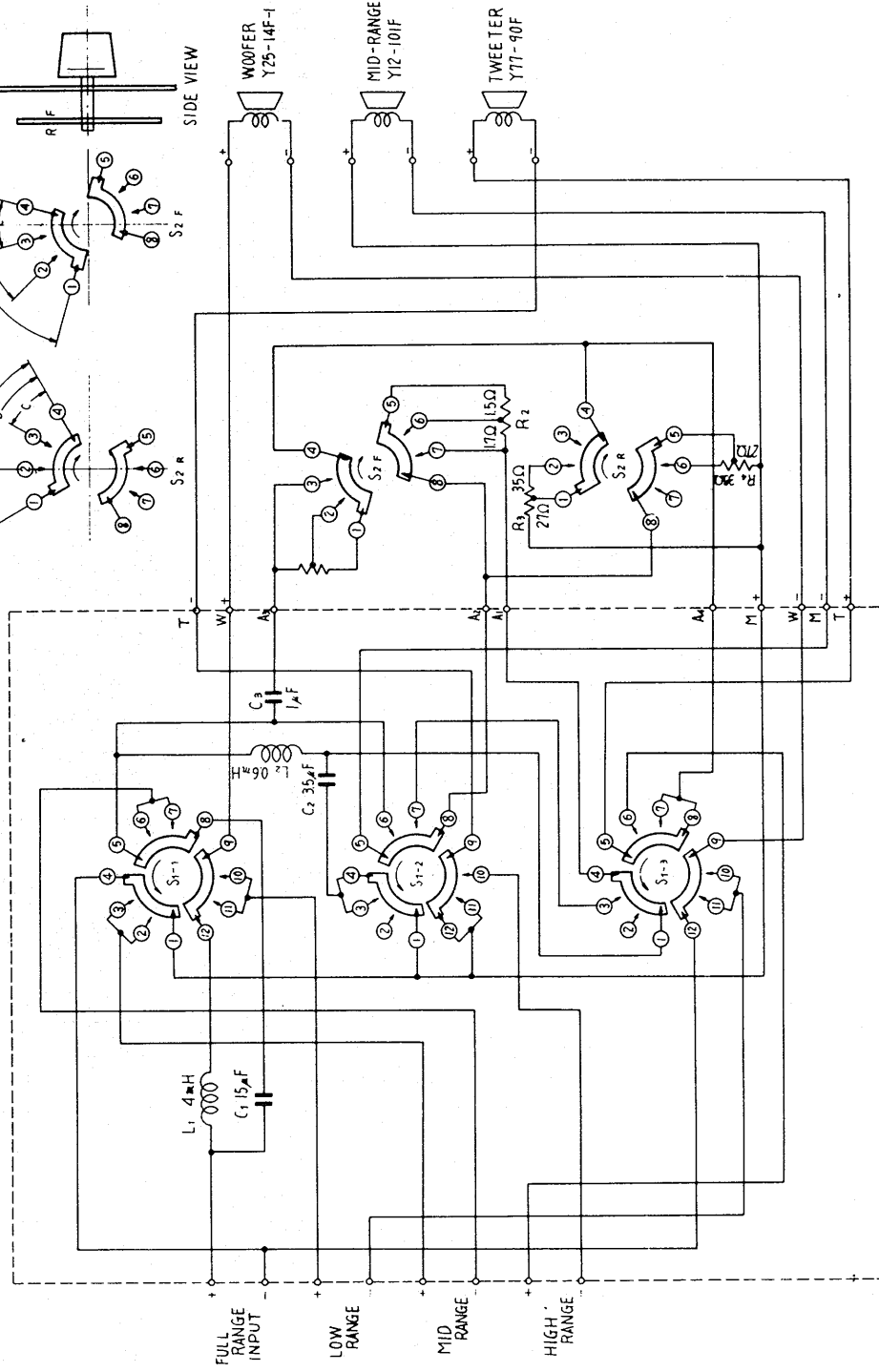
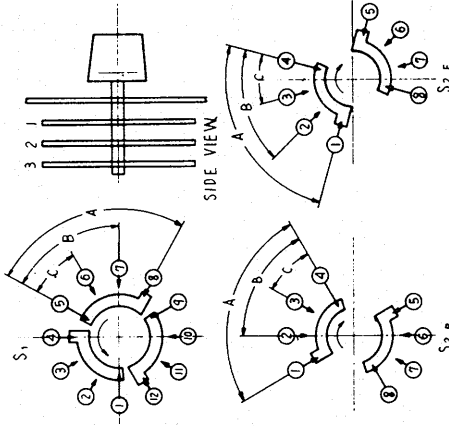
- 1 : DECREASE
- 2 : NORMAL
- 3 : INCREASE

Model CS-99A

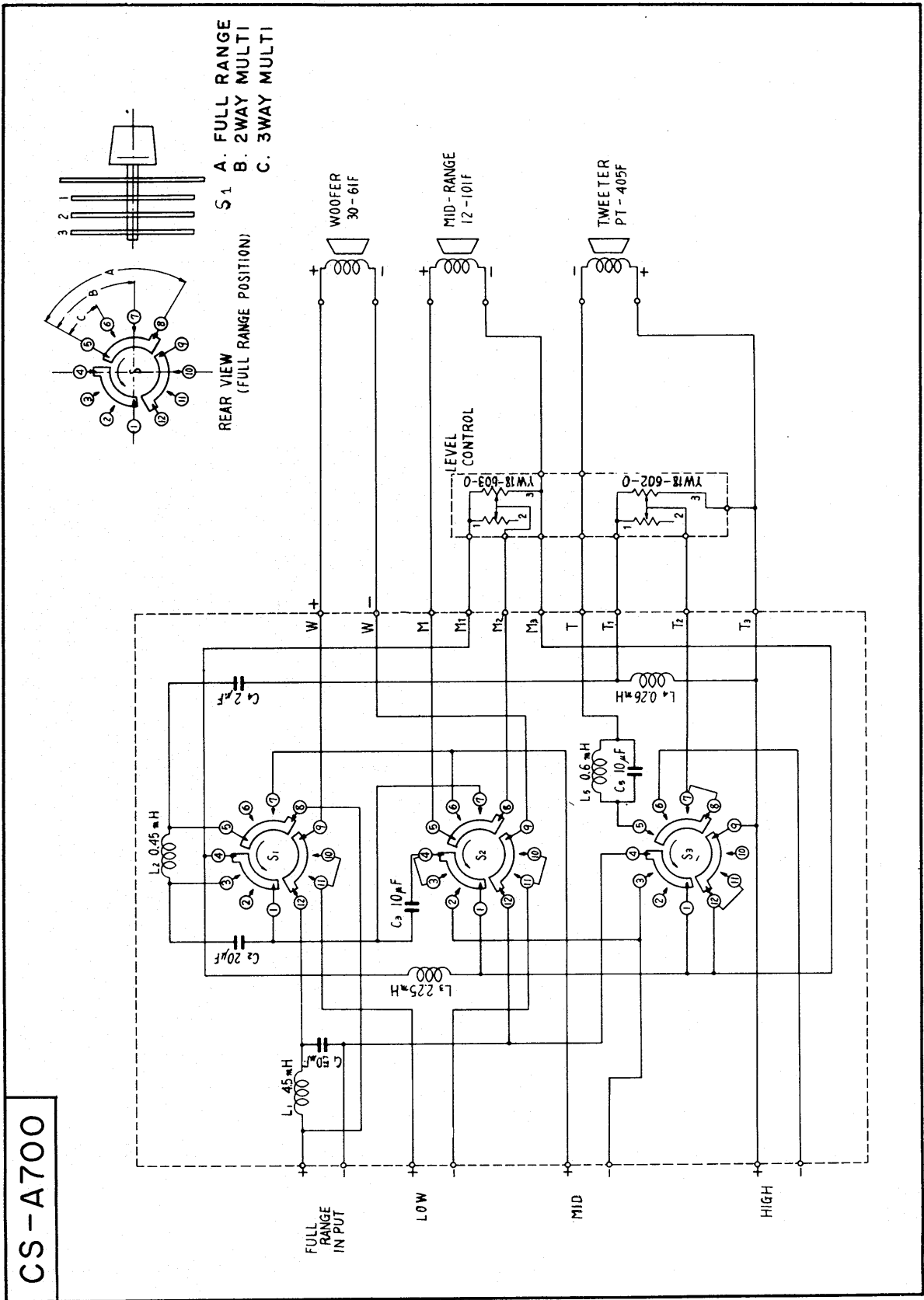


CS-A500

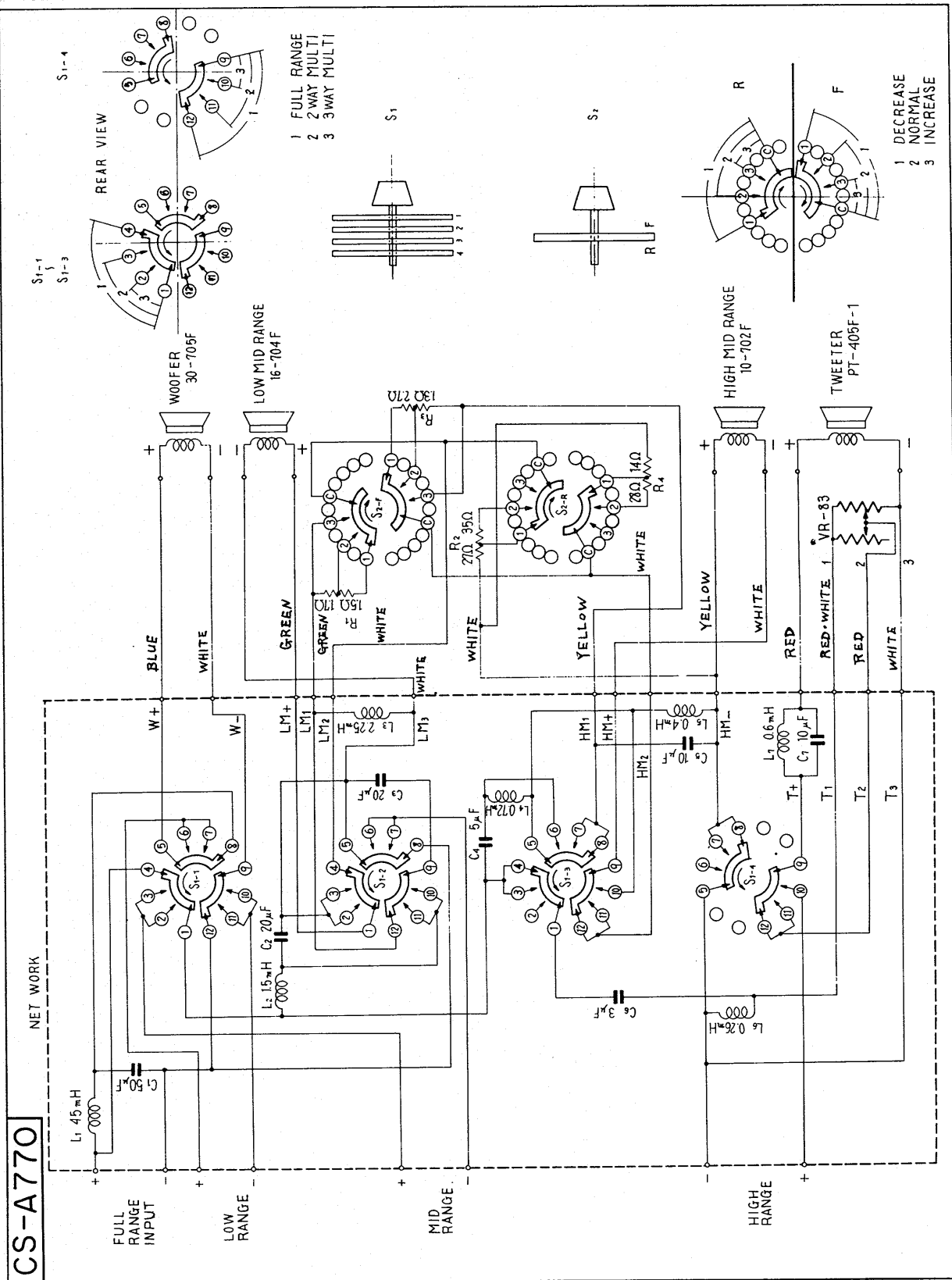
- S₁ A. FULL RANGE
 B. 2WAY MULTI
 C. 3WAY MULTI



Model CS-A700

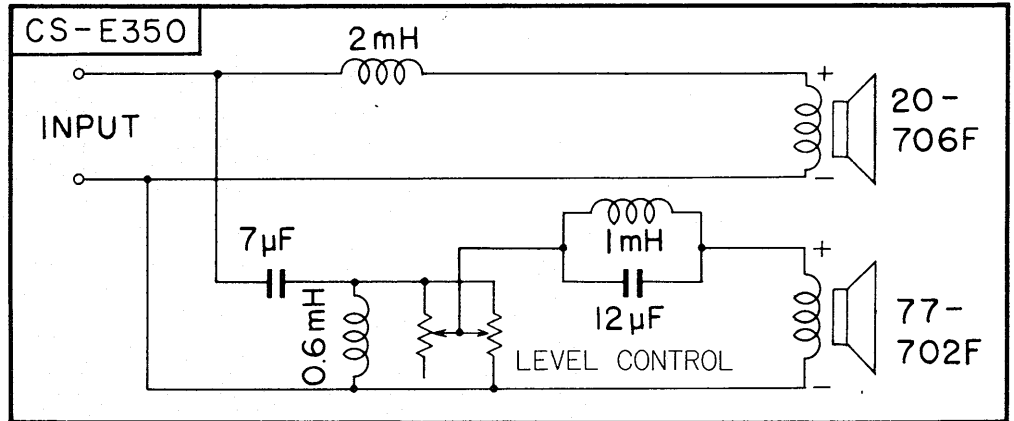


Model CS-A770

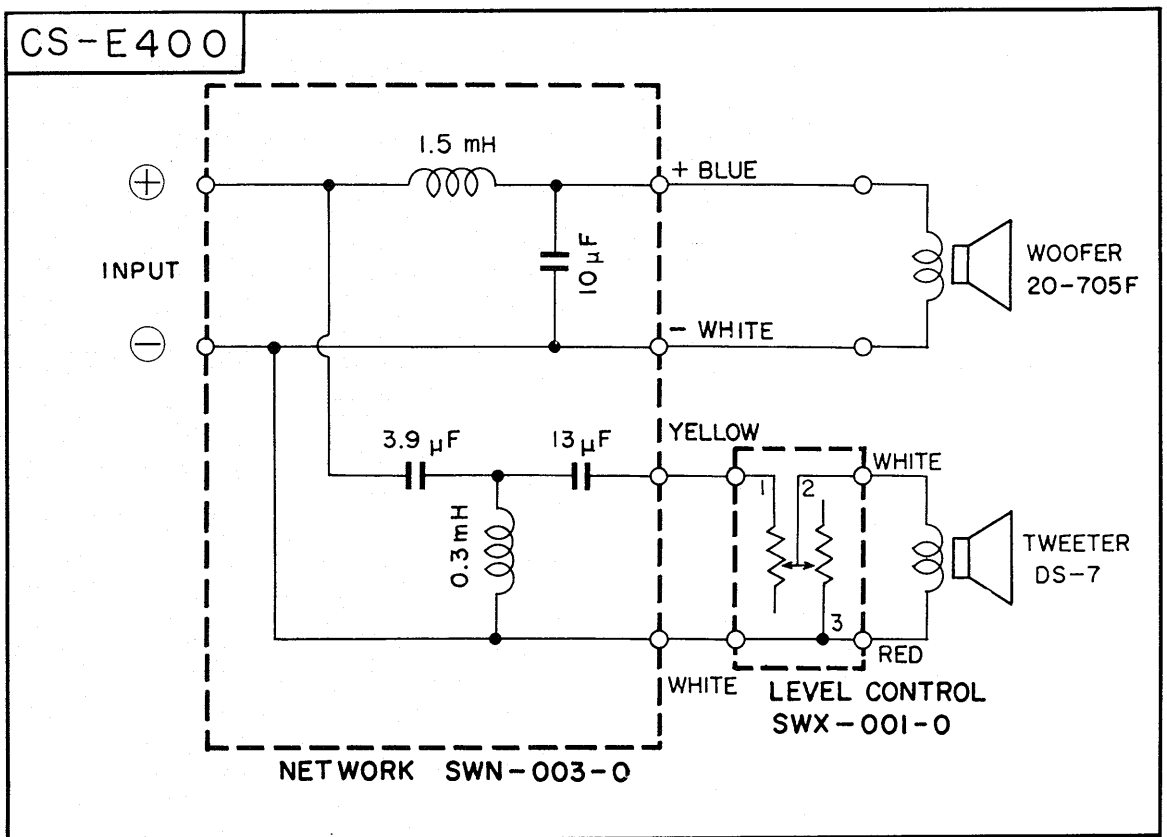


SPEAKER SYSTEM

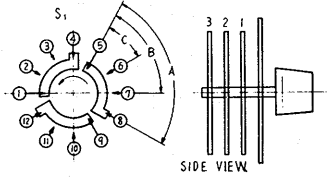
Model CS-E350



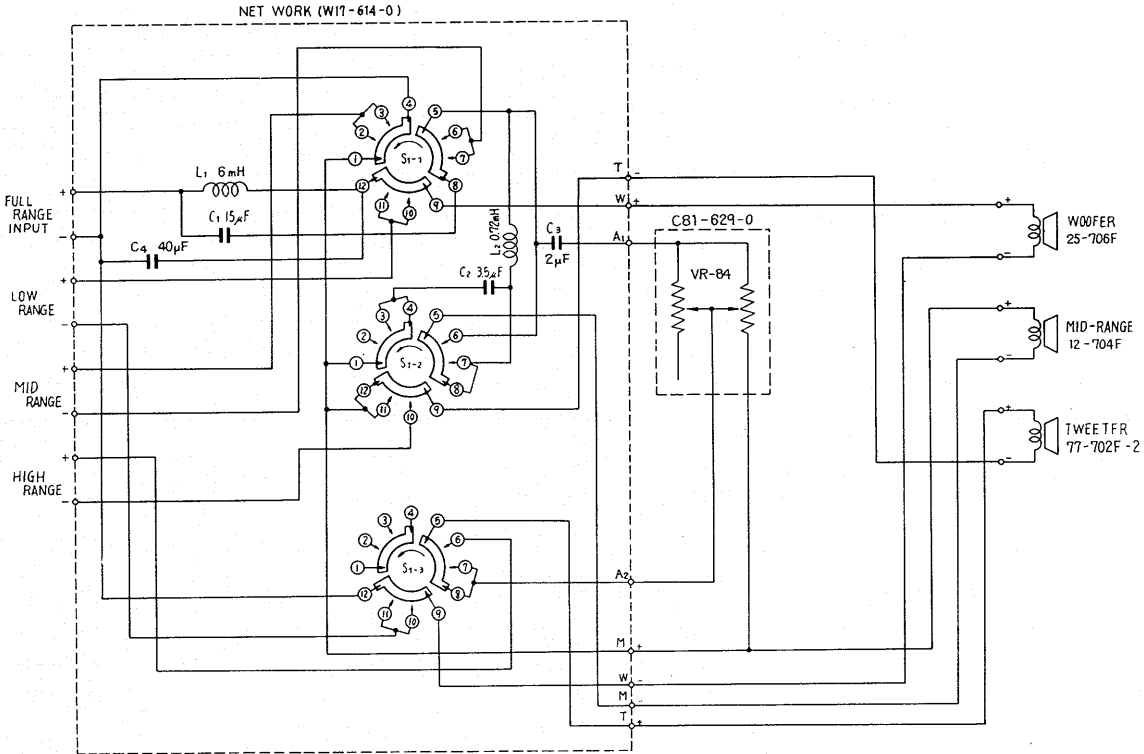
Model CS-E400



CS-E500



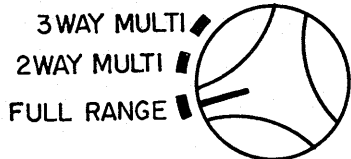
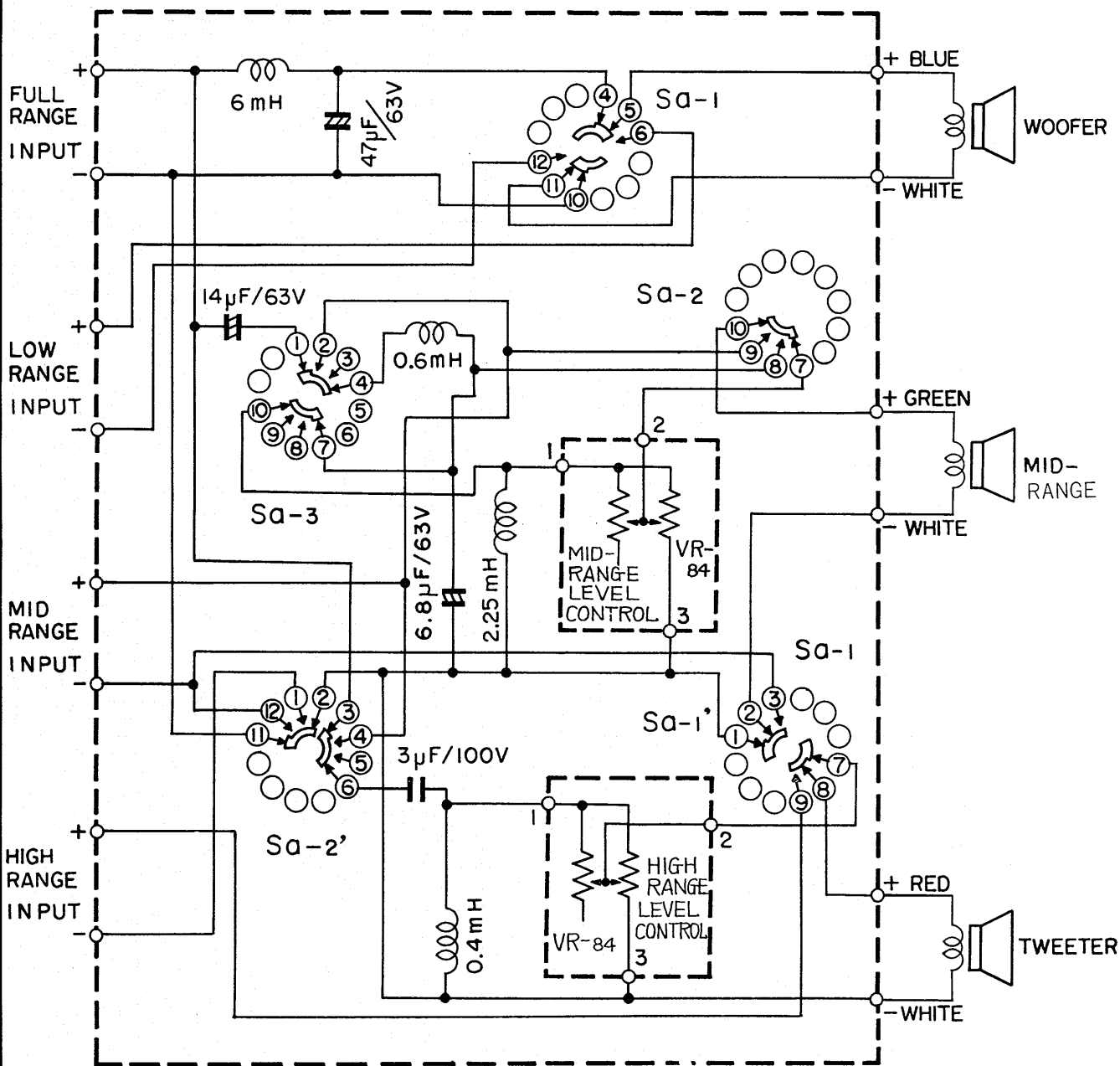
- S₁ A. FULL RANGE
- B. 2WAY MULTI
- C. 3WAY MULTI



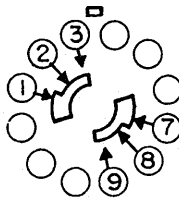
SPEAKER SYSTEM

Model CS-E600

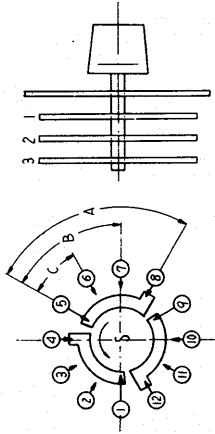
CS-E600



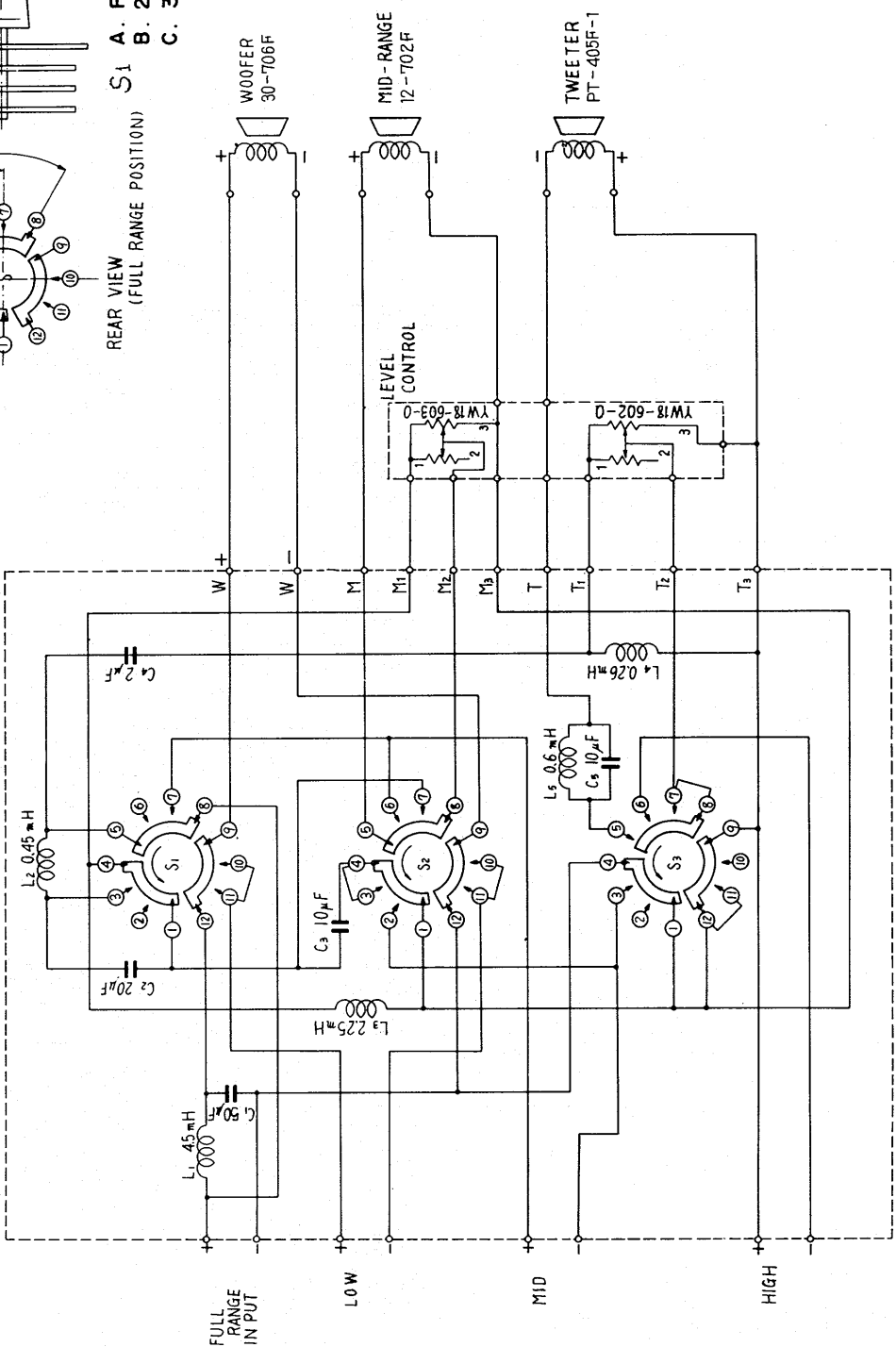
Sa1~3



CS-E700



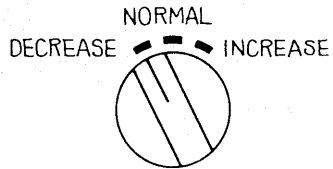
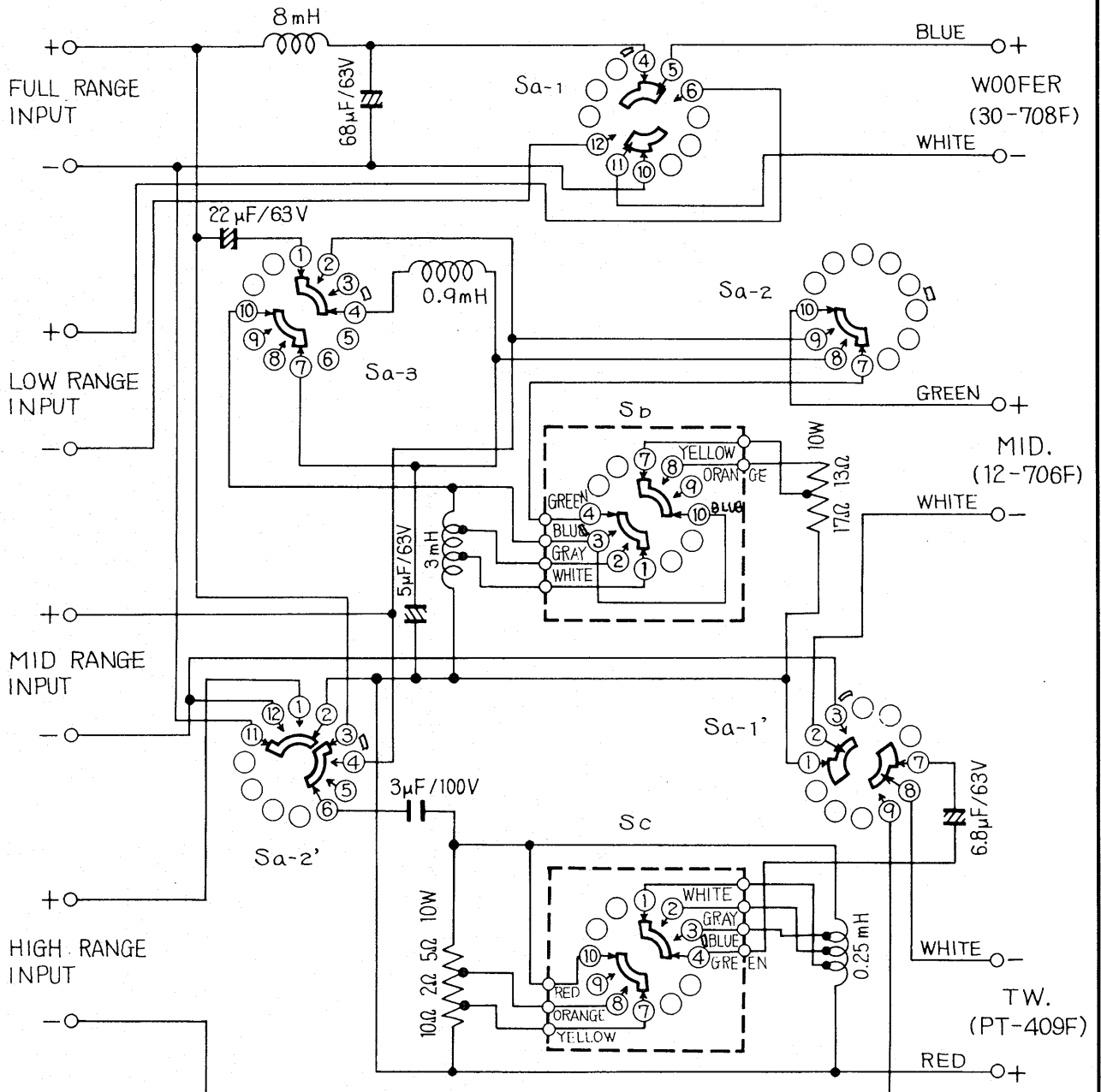
- A. FULL RANGE
- B. 2WAY MULTI
- C. 3WAY MULTI



SPEAKER SYSTEM

Model CS-E900

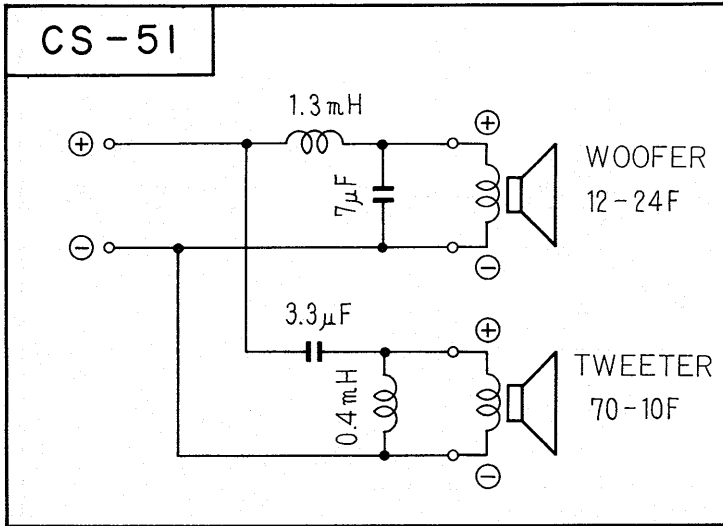
CS - E 900



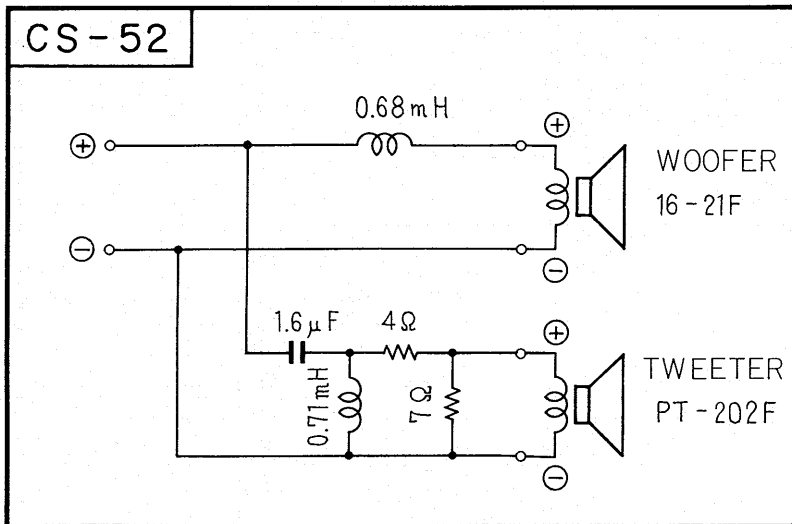
Sa1 ~ 3

Sb, c

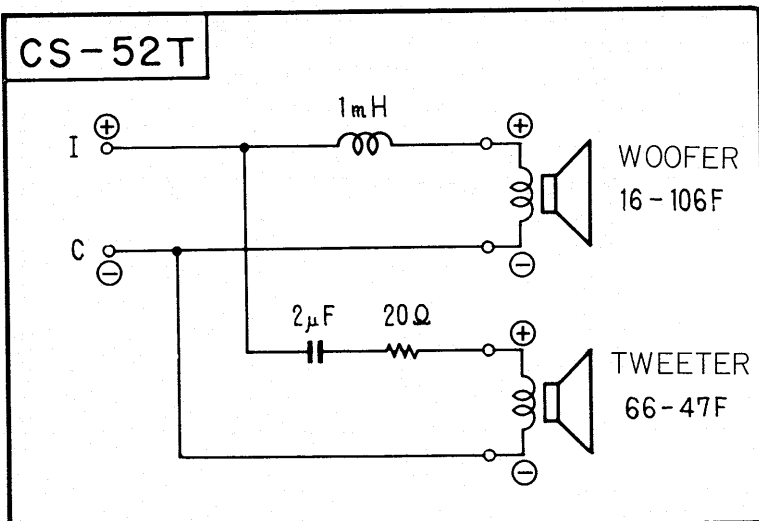
Model CS-51



Model CS-52

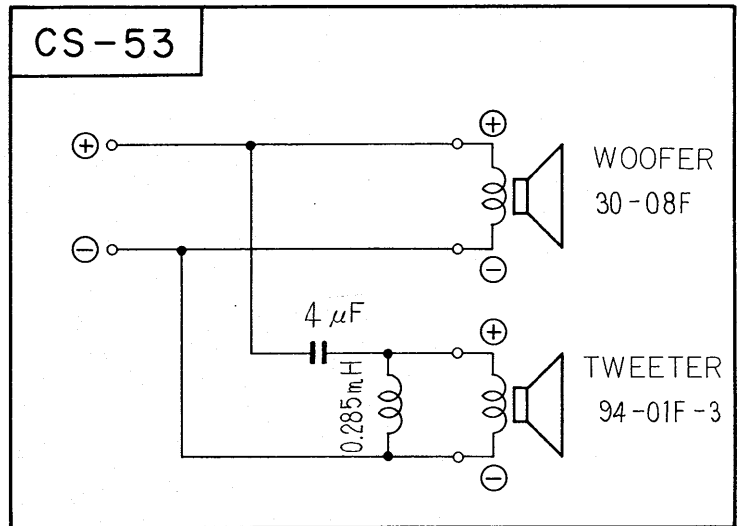


Model CS-52T

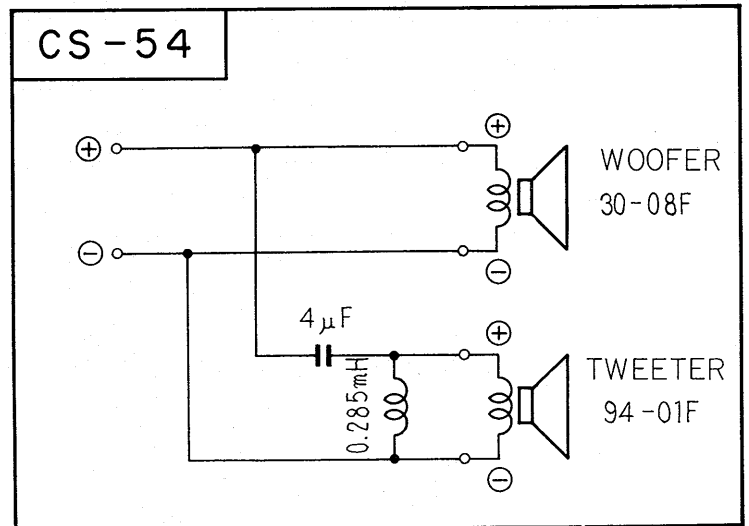


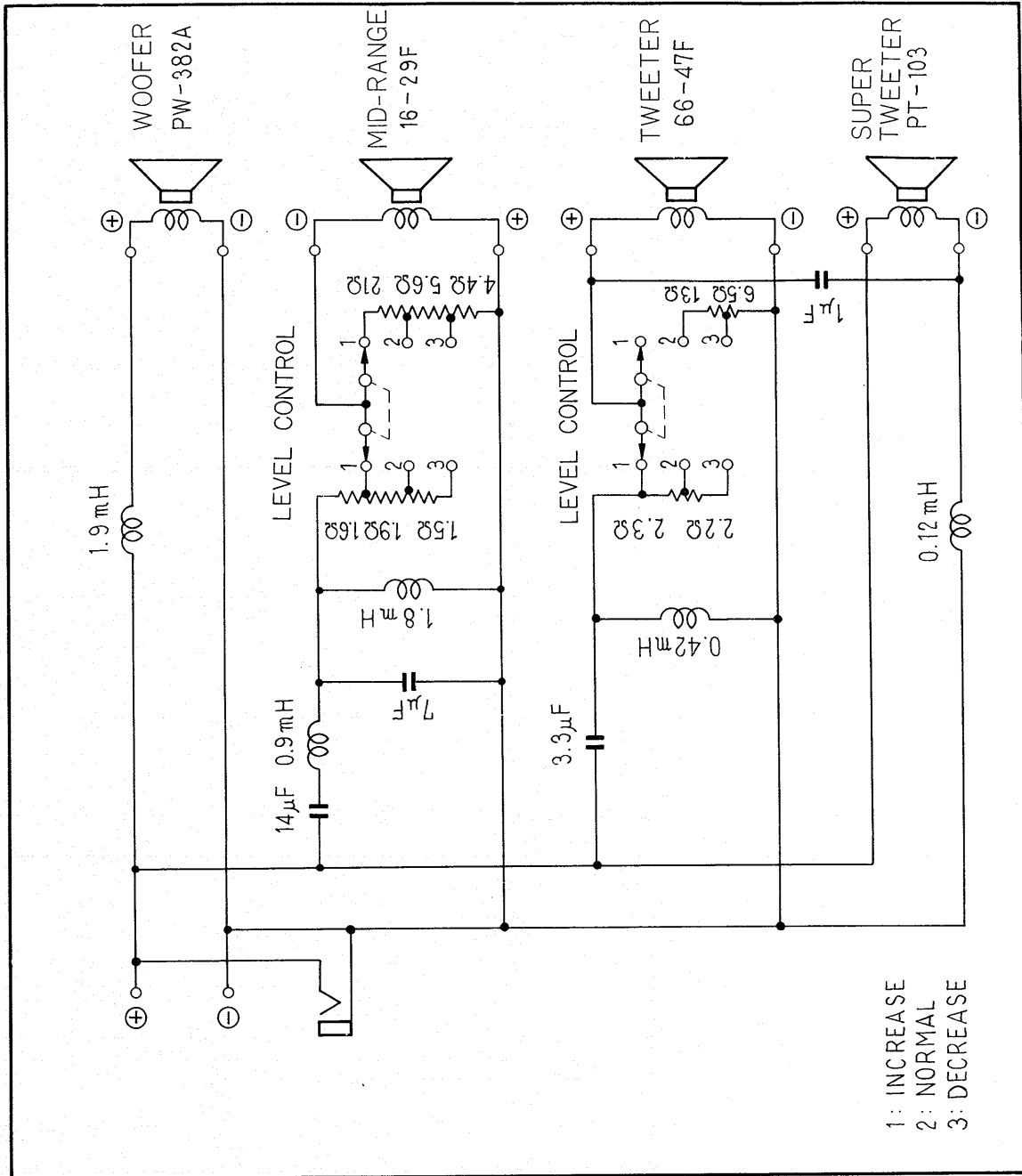
SPEAKER SYSTEM

Model CS-53



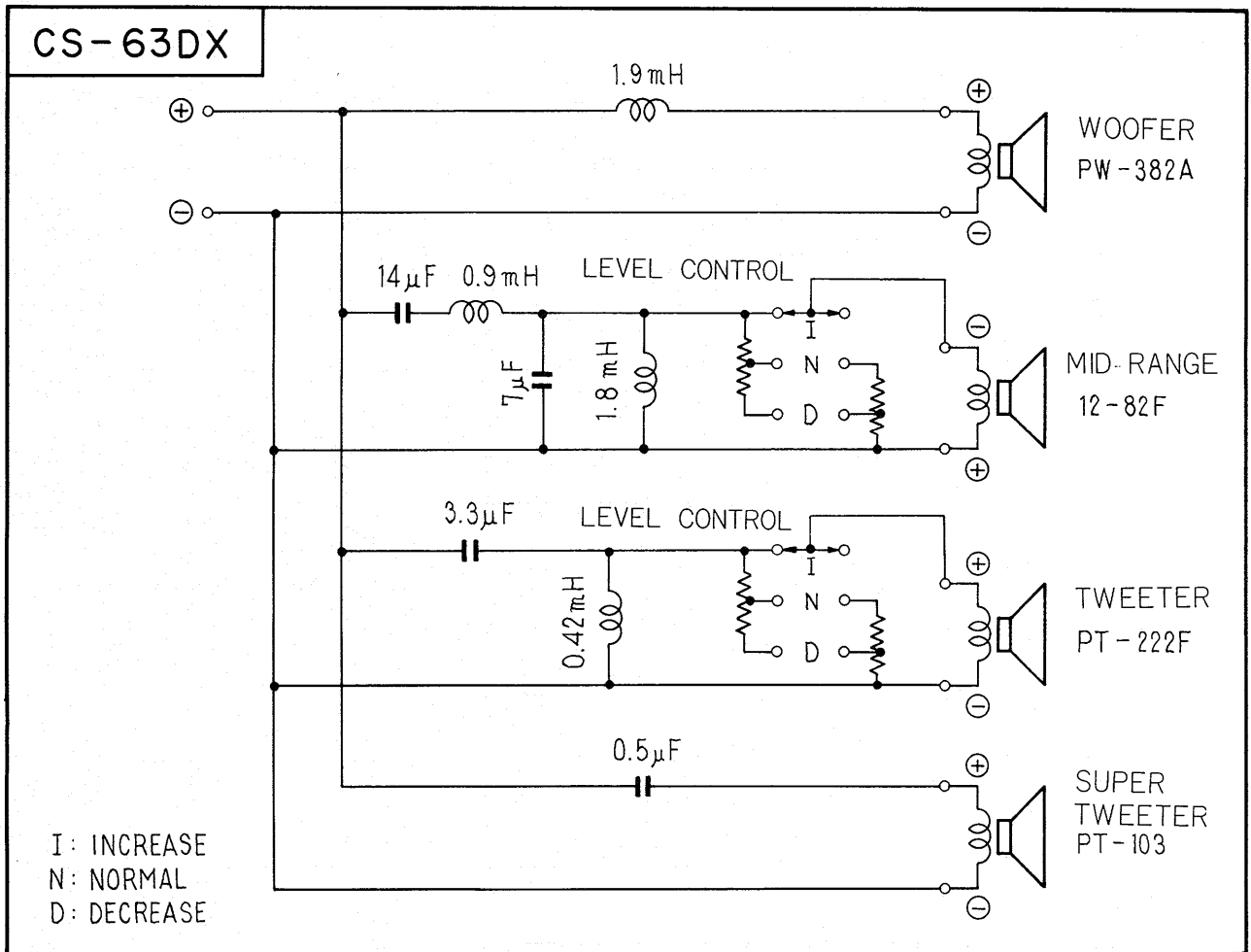
Model CS-54



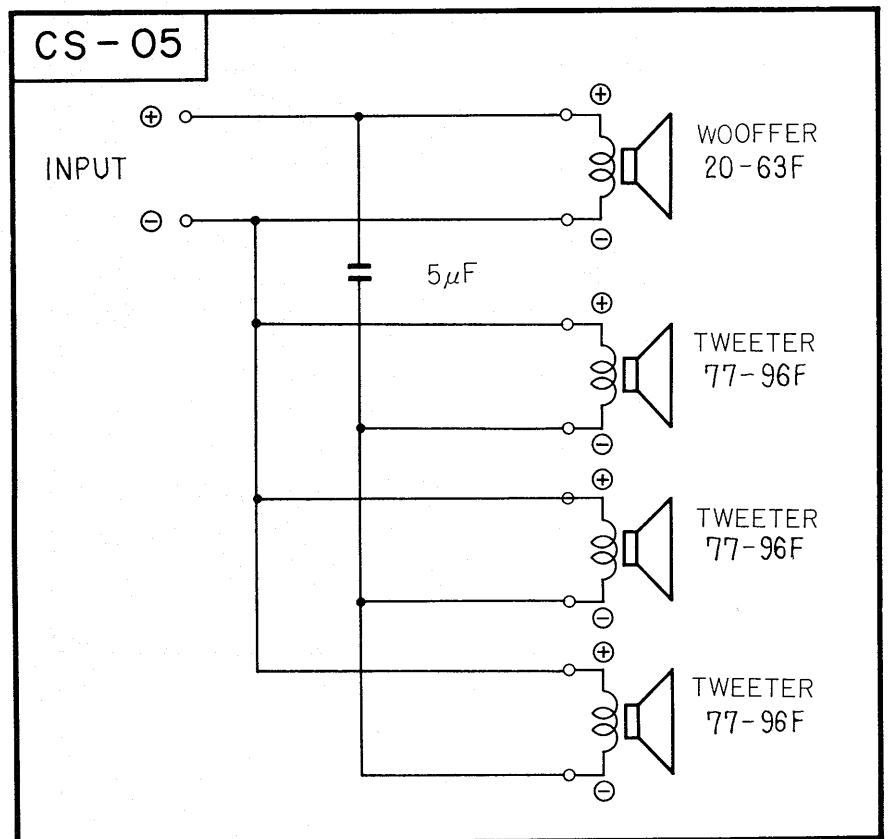


SPEAKER SYSTEM

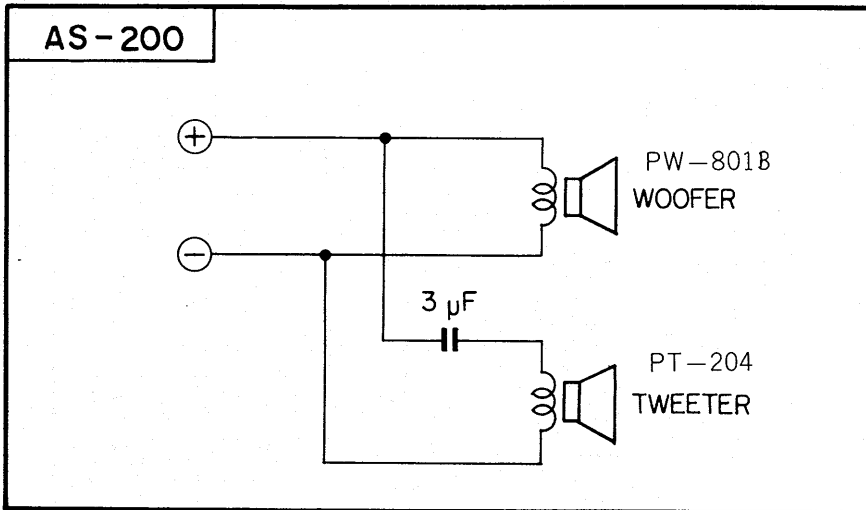
Model CS-63DX



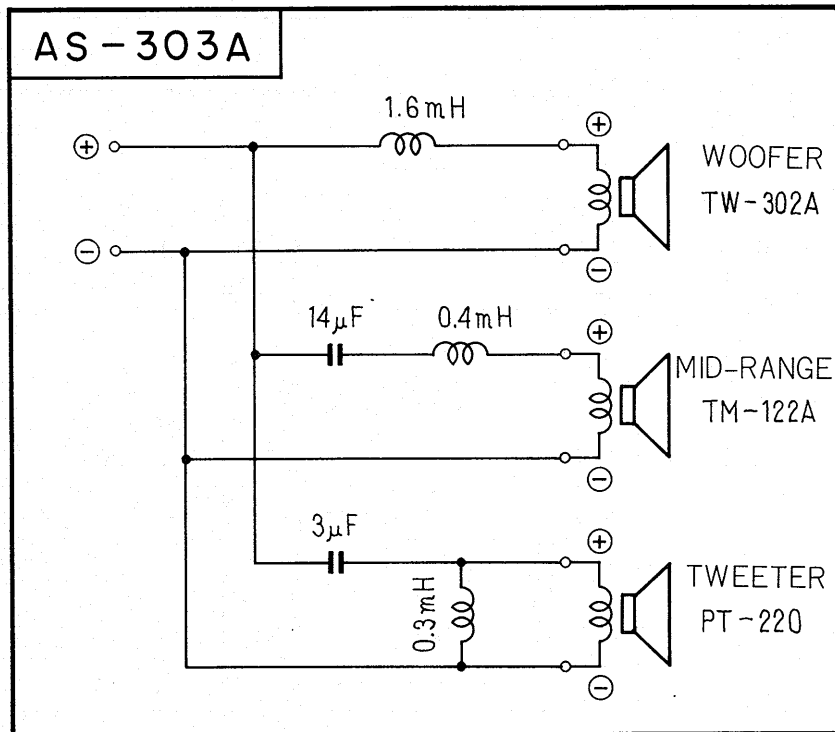
Model CS-05



Model AS-200

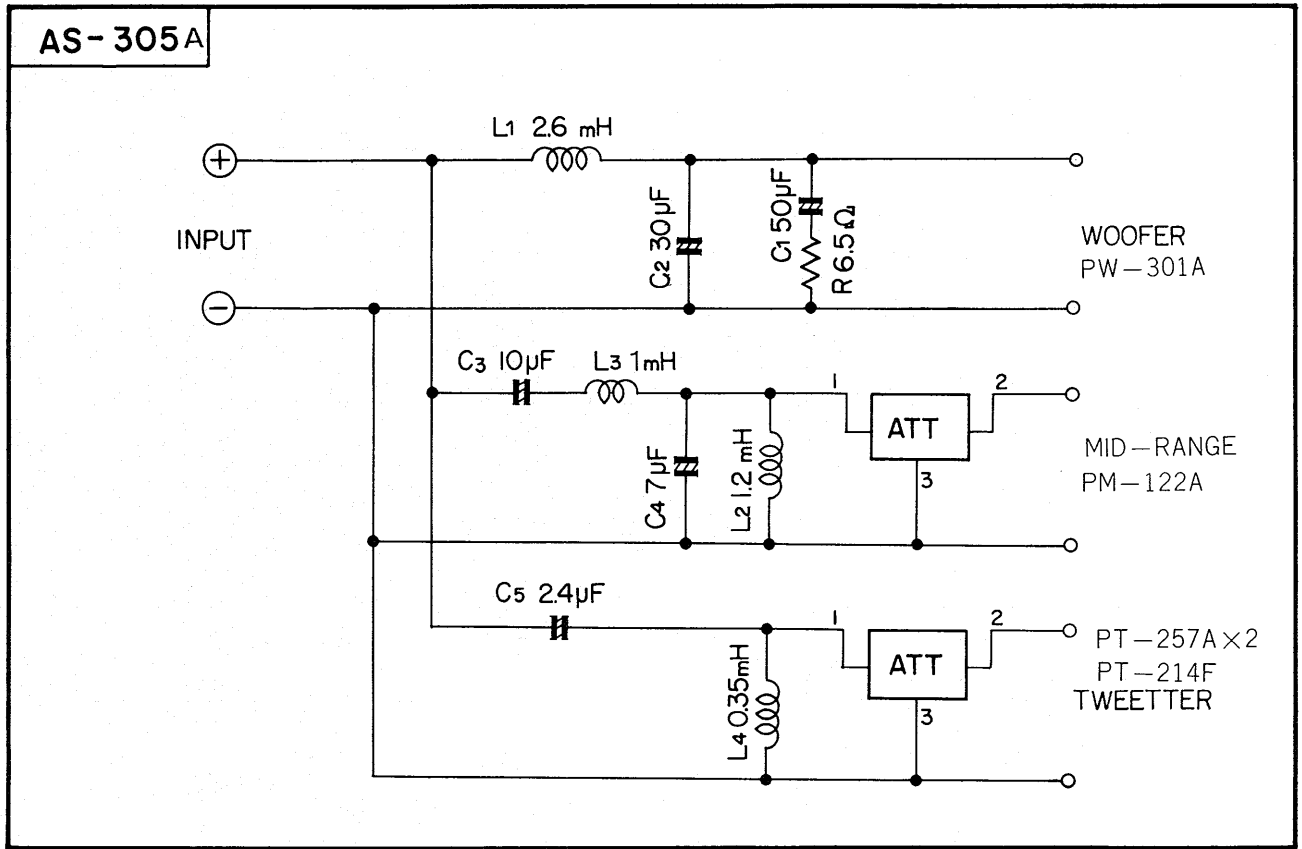


Model AS-303A

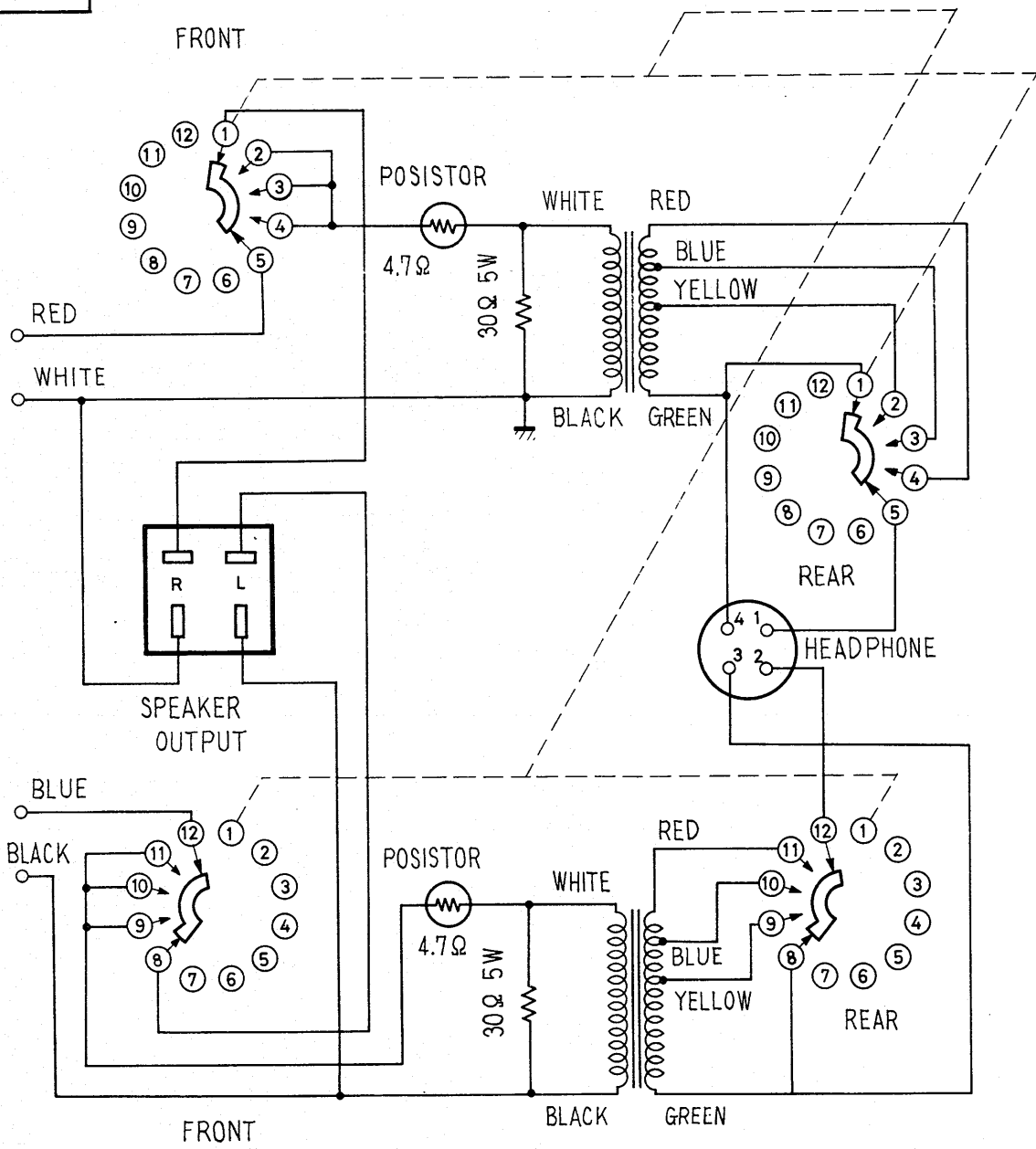


SPEAKER SYSTEM

Model AS-305A

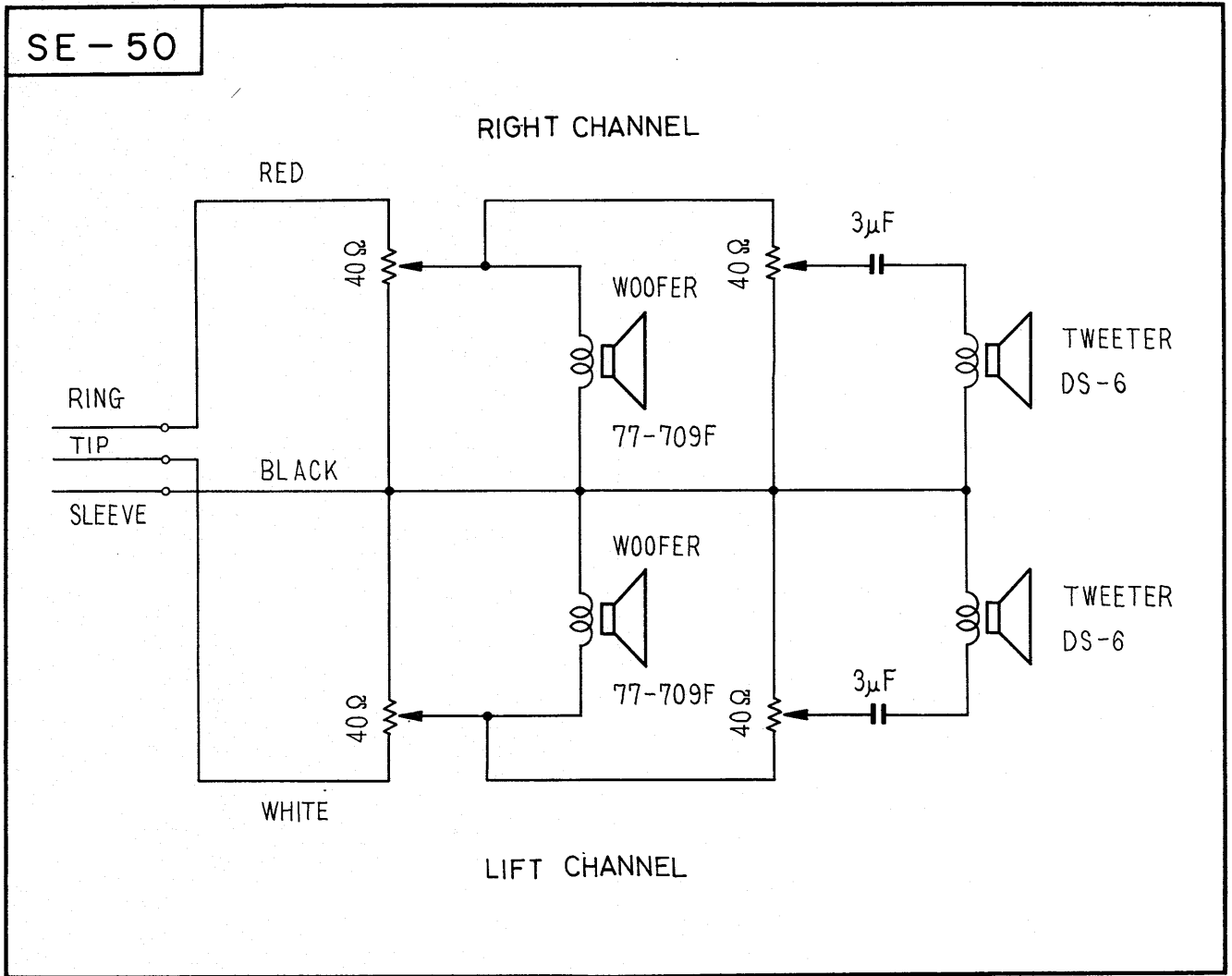


JB - 100



SPEAKER SYSTEM

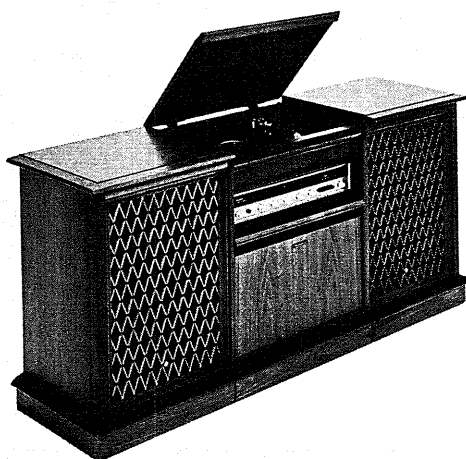
Model SE-50

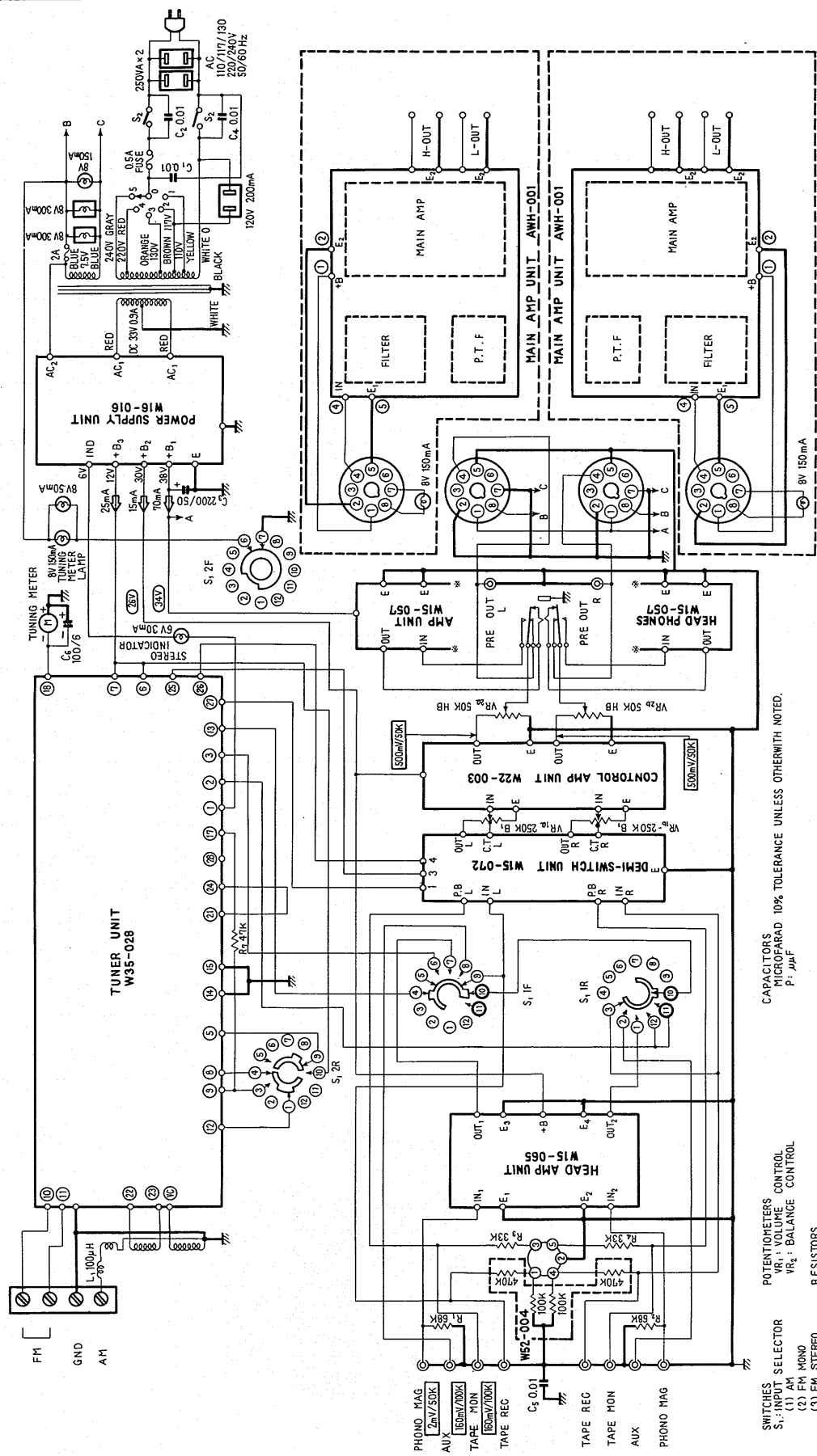


CONSOLE STEREO SYSTEM

S-50

ROUND LABEL	F					
UNIT						
TUNER UNIT	W35-028					
FM FRONT END						
FM IF UNIT						
MPX UNIT						
AM TUNER UNIT						
MUTING UNIT						
HEAD AMP UNIT	W15-065					
CONTROL AMP UNIT	W22-003					
MAIN AMP UNIT	AWH-001					
POWER SUPPLY UNIT	W16-016					
DEMISWITCH UNIT	W15-072					
SWITCH UNIT						
SWITCH UNIT						
TONE COLOR UNIT						
CONTROL UNIT						
MIC AMP UNIT						
REVERBE AMP UNIT						
REVERBE UNIT						
HEAD PHONES UNIT	W15-057					





CAPACITORS
MICROFARAD 10% TOLERANCE UNLESS OTHERWISE NOTED.
P: PART

POTENTIOMETERS
VR: TUNING CONTROL
WR: BALANCE CONTROL

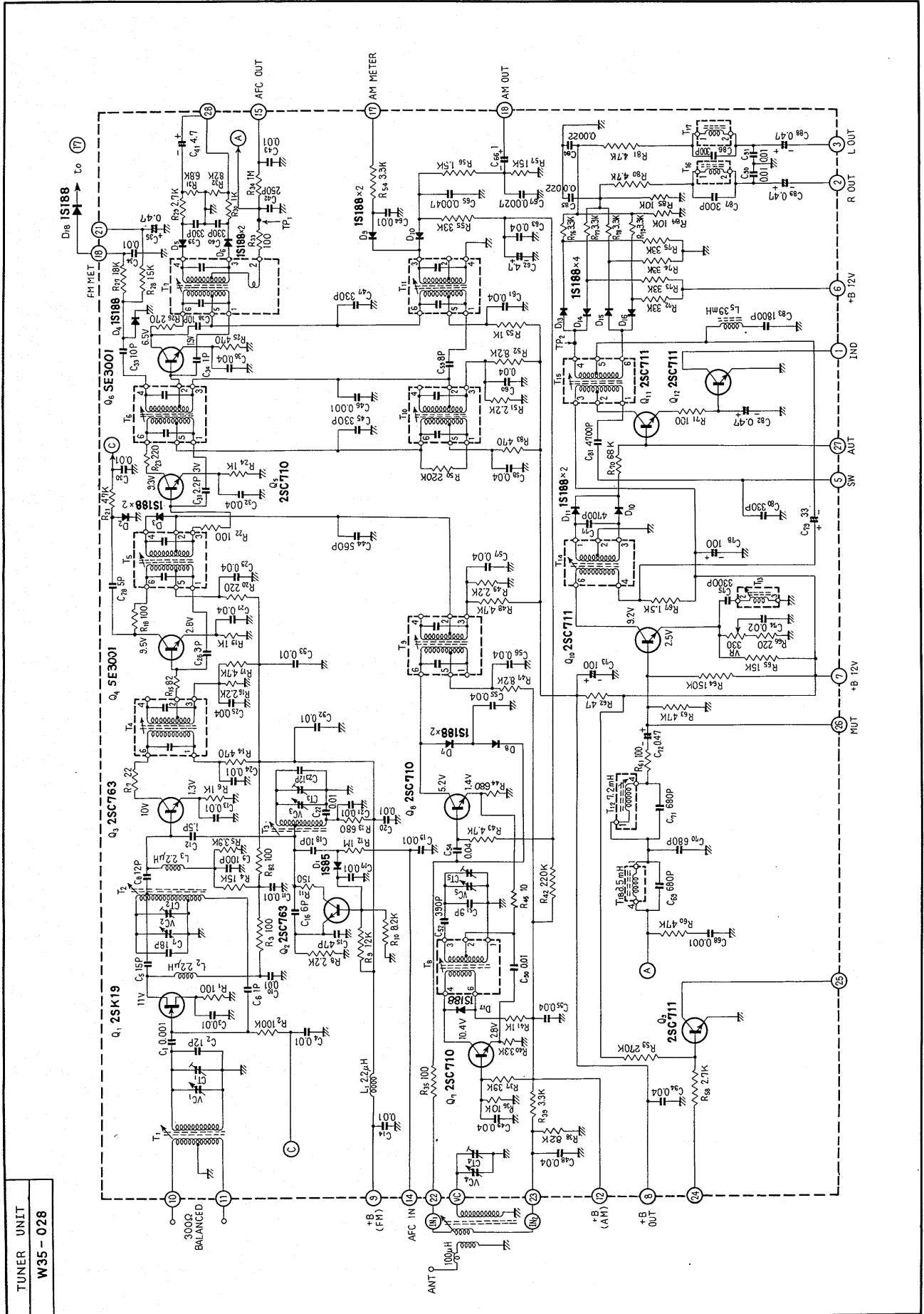
SWITCHES
S: TUNING CONTROL
(1) FM MONO
(2) FM STEREO
(3) FM STEREO
(4) PHONO
(5) AUX

RESISTORS
10% TOLERANCE 1/4 WATT UNLESS OTHERWISE NOTED.
NON-MARK: OHM K: KILOHM M: MEGOHM
W: WATT

*S₂: POWER SWITCH

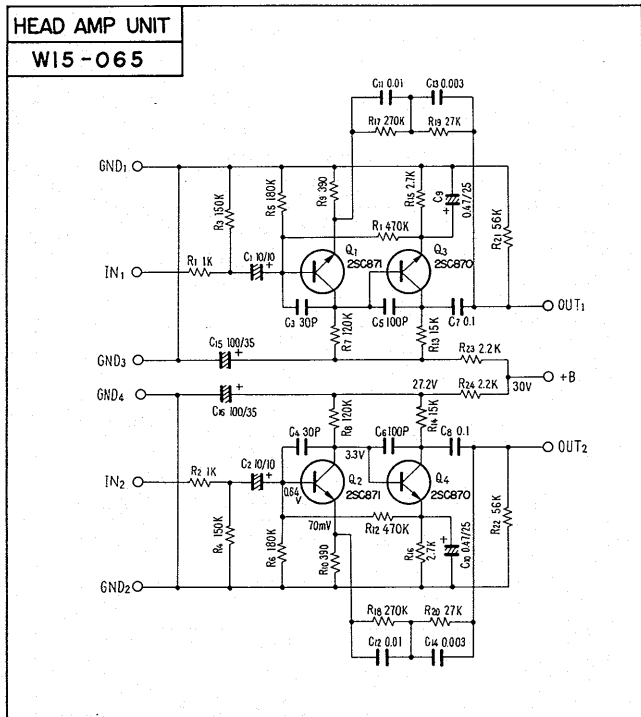
←: NO INPUT SIGNAL DC CURRENT
V: NO INPUT SIGNAL DC VOLTAGE (ONE CHANNEL)
◇: SIGNAL VOLTAGE AT 12V/80 (SPEAKER OUTPUT)
ALL VOLTAGE MEASURED WITH V.T.V.M

TUNER UNIT

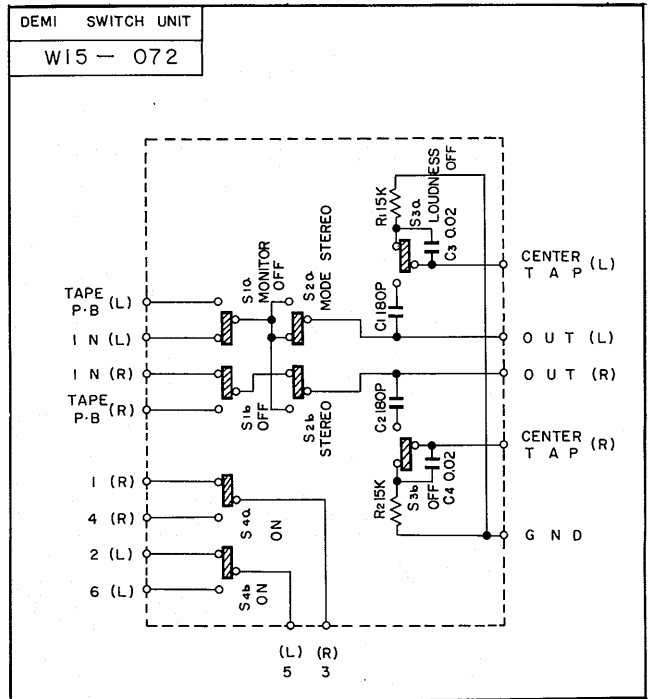


TUNER UNIT
W35 - 028

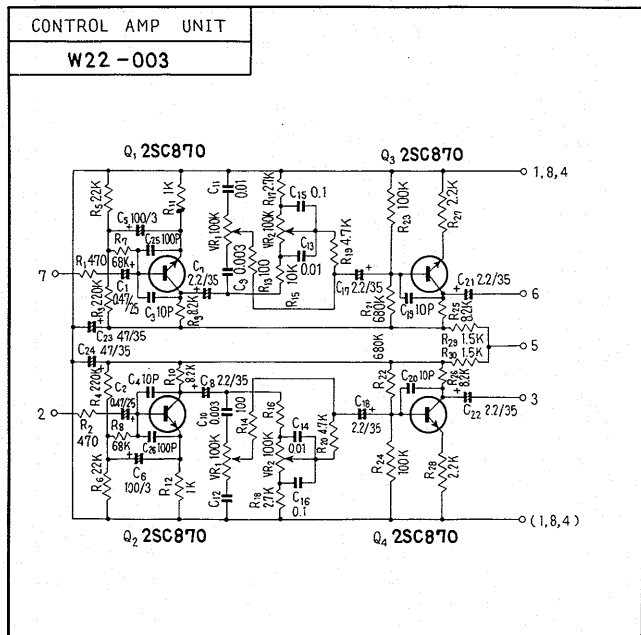
HEAD AMP UNIT



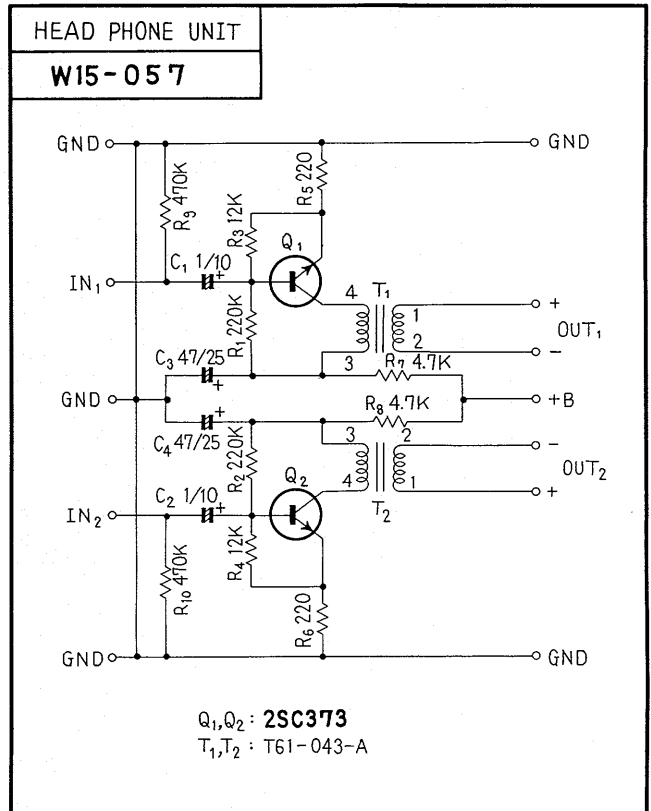
DEMI SWITCH UNIT



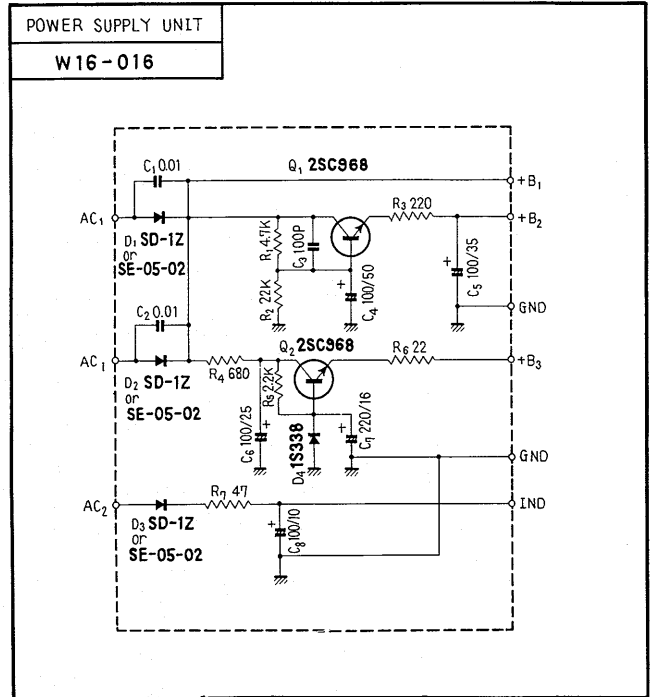
CONTROL AMP UNIT



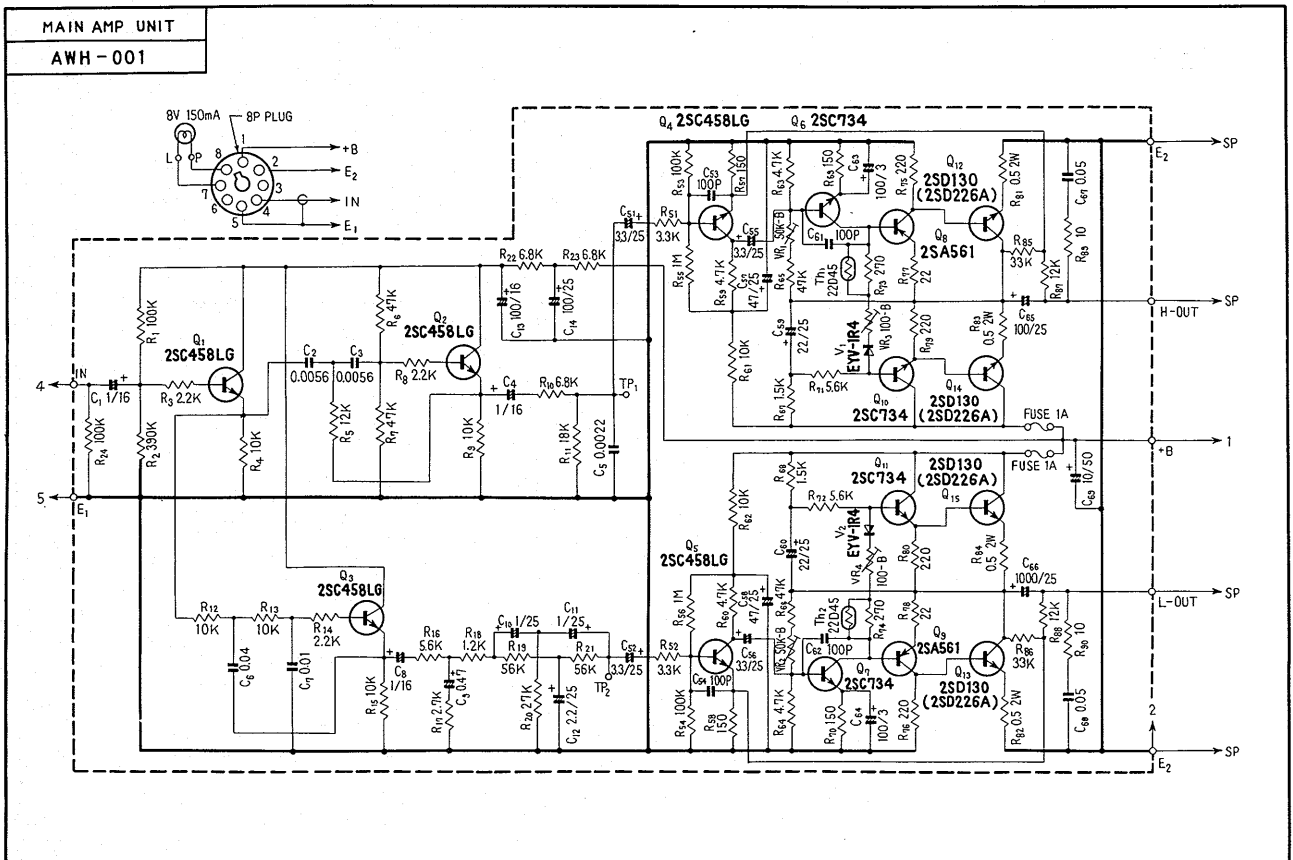
HEAD PHONE UNIT



POWER SUPPLY UNIT

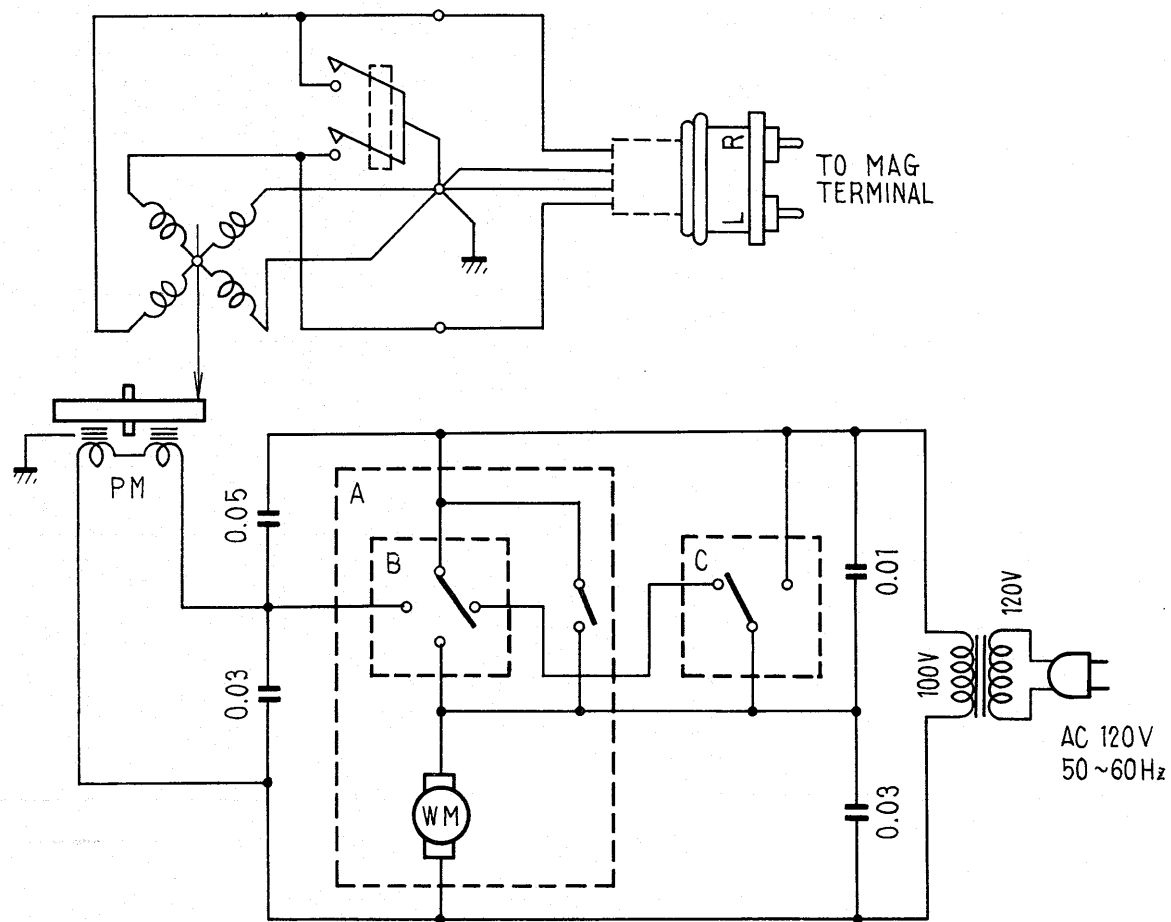


MAIN AMP UNIT

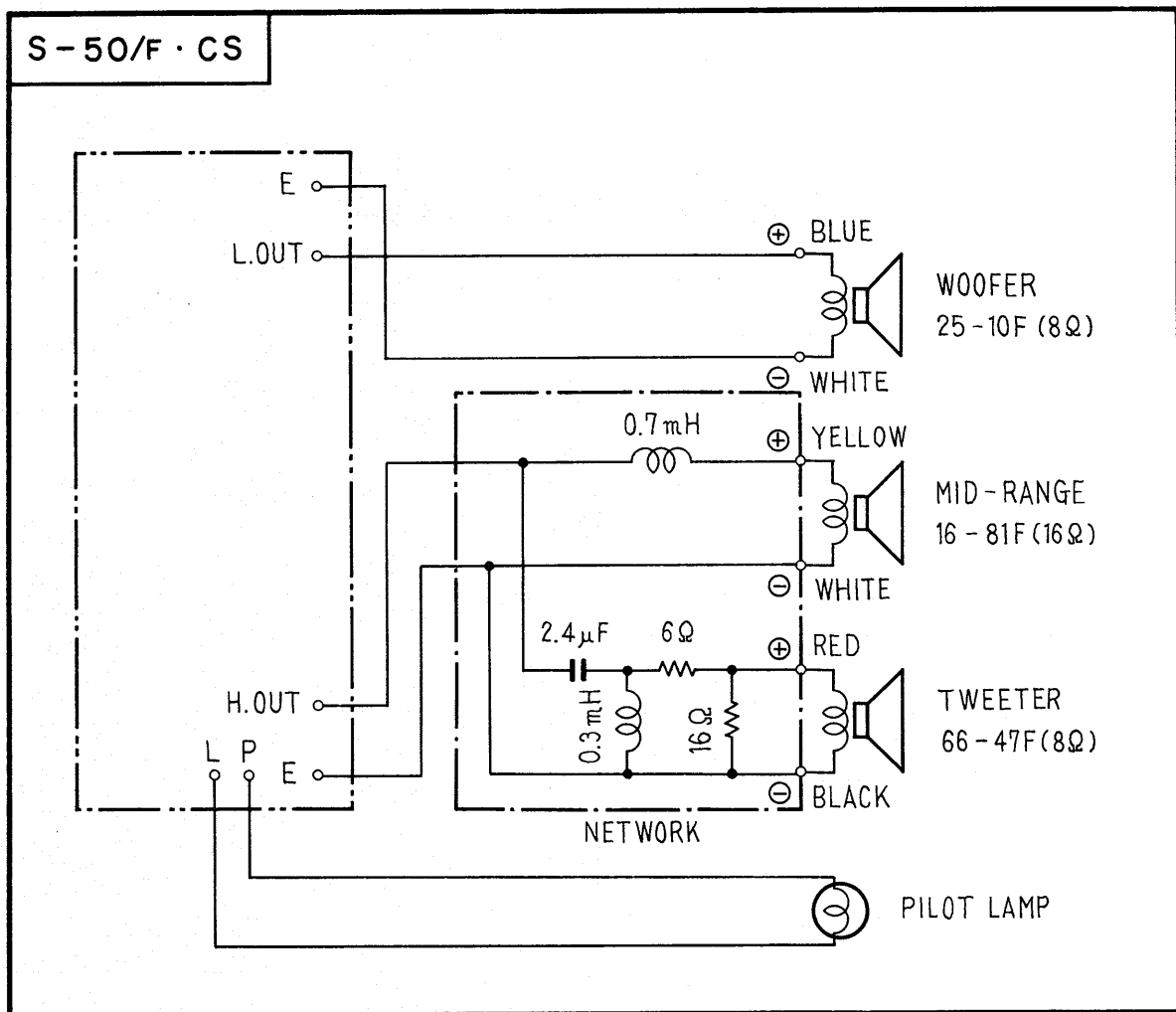


TURNTABLE UNIT

S-50/F·PL



SPEAKER SYSTEM

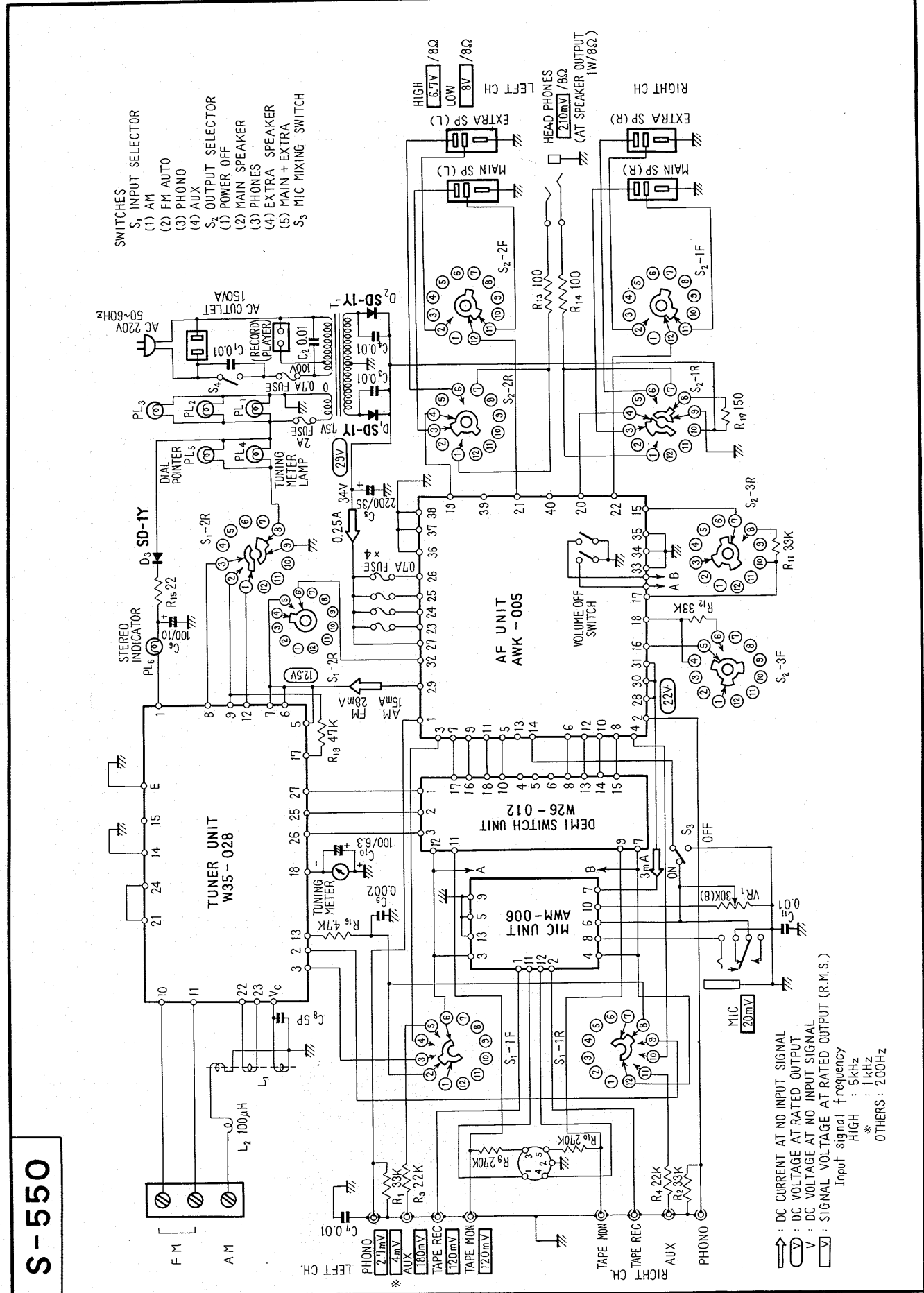


CONSOLE STEREO SYSTEM

S-550

UNIT	ROUND LABEL	N					
TUNER UNIT		W35-028					
FM FRONT END							
FM IF UNIT							
AF UNIT		AWK-005					
AM TUNER UNIT							
MUTING UNIT							
HEAD AMP UNIT							
CONTROL AMP UNIT							
MIC UNIT		AWM-006					
POWER SUPPLY UNIT							
DEMISWITCH UNIT		W26-012					
SWITCH UNIT							
SWITCH UNIT							
TONE COLOR UNIT							
CONTROL UNIT							
MIC AMP UNIT							
REVERBE AMP UNIT							
REVERBE UNIT							





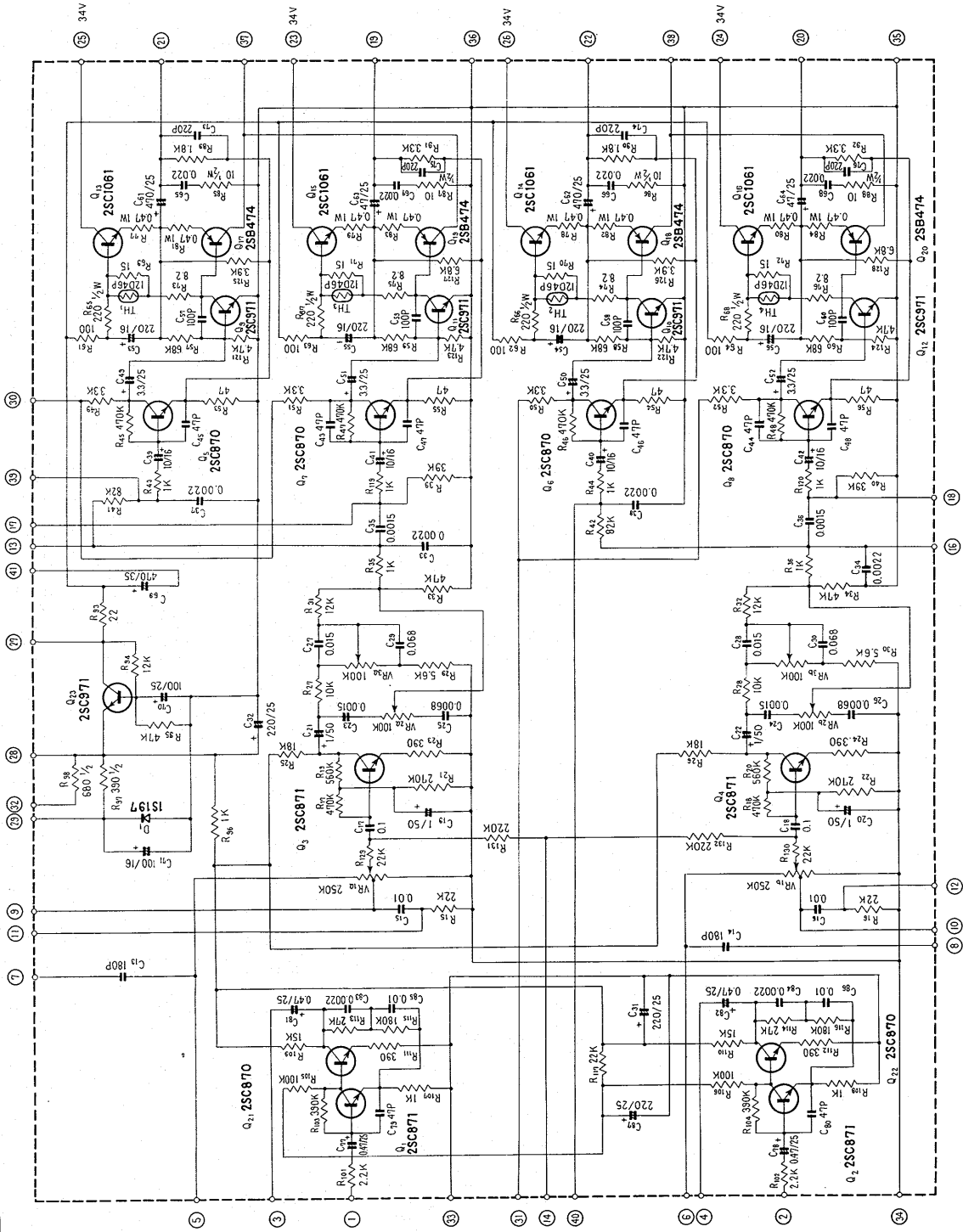
- SWITCHES**
- S₁ INPUT SELECTOR
 - (1) AM
 - (2) FM AUTO
 - (3) PHONO
 - (4) AUX
 - S₂ OUTPUT SELECTOR
 - (1) POWER OFF
 - (2) MAIN SPEAKER
 - (3) PHONES
 - (4) EXTRA SPEAKER
 - (5) MAIN + EXTRA
 - S₃ MIC MIXING SWITCH

S-550

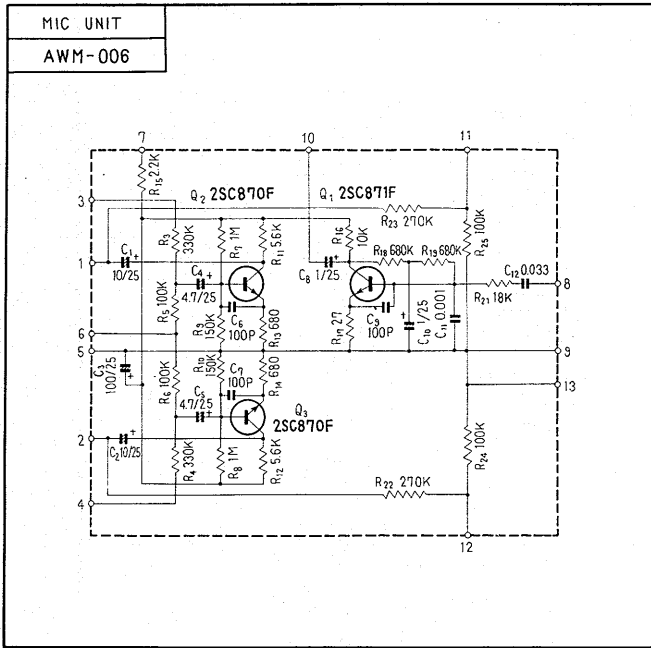
- ⤴ : DC CURRENT AT NO INPUT SIGNAL
 - ⤵ : DC VOLTAGE AT RATED OUTPUT
 - ⤶ : DC VOLTAGE AT NO INPUT SIGNAL
 - ⤷ : SIGNAL VOLTAGE AT RATED OUTPUT (R.M.S.)
- Input signal frequency
- HIGH : 5kHz
 - * : 1kHz
 - OTHERS : 200Hz

AF UNIT

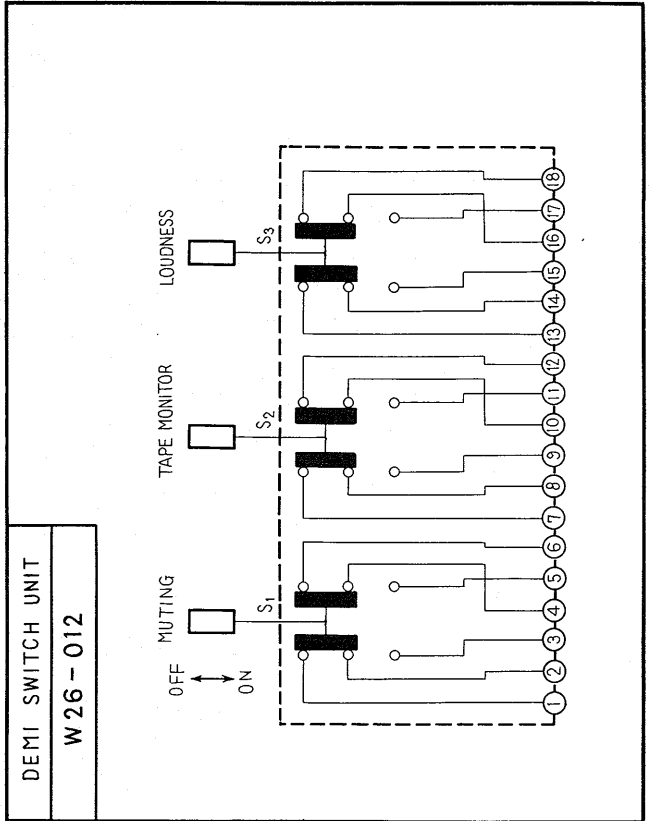
A F UNIT
AWK-005



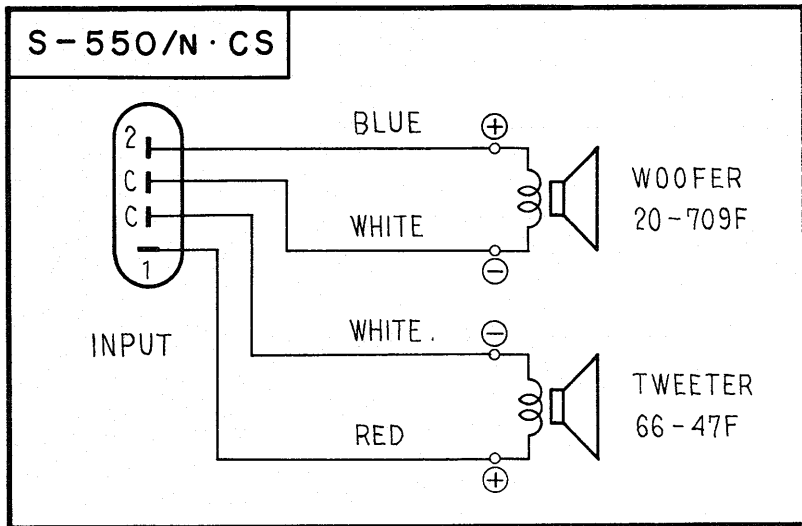
MIC UNIT



DEMI-SWITCH UNIT

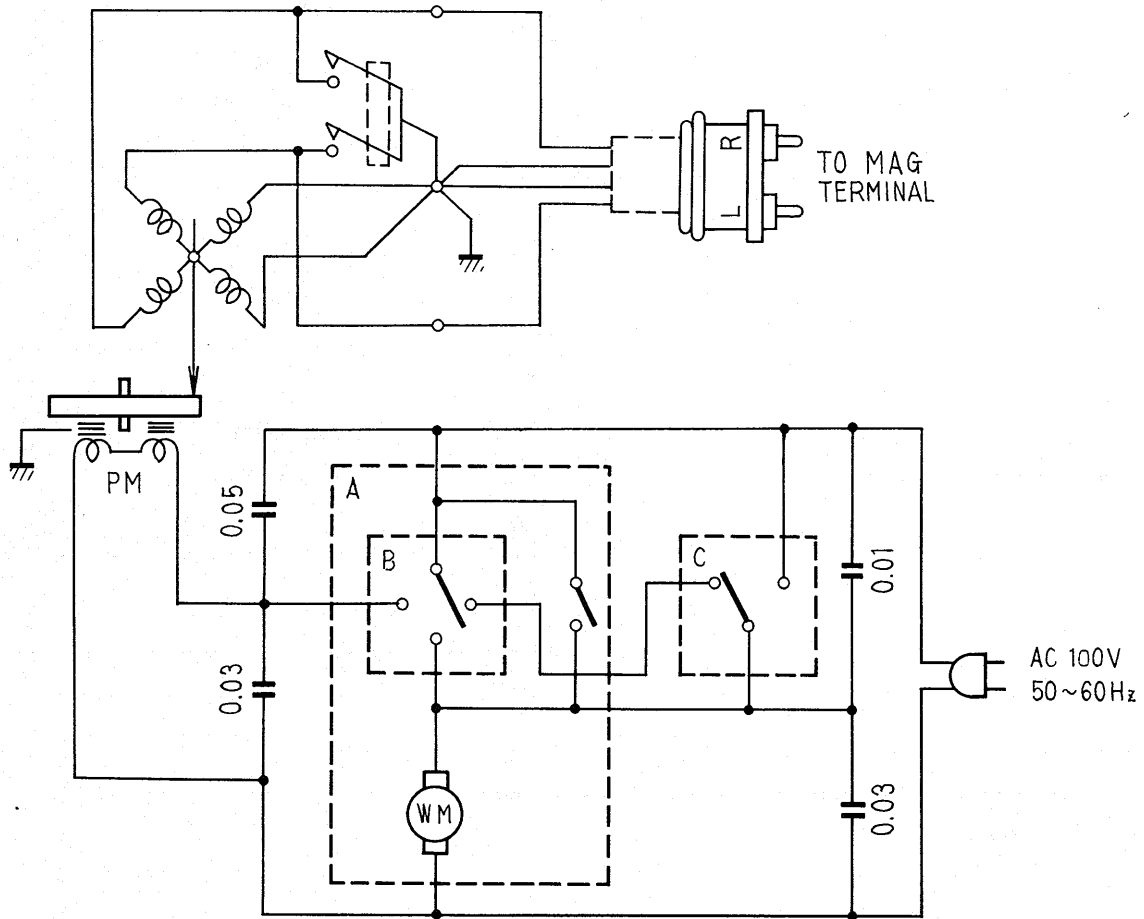


SPEAKER SYSTEM



TURNTABLE UNIT

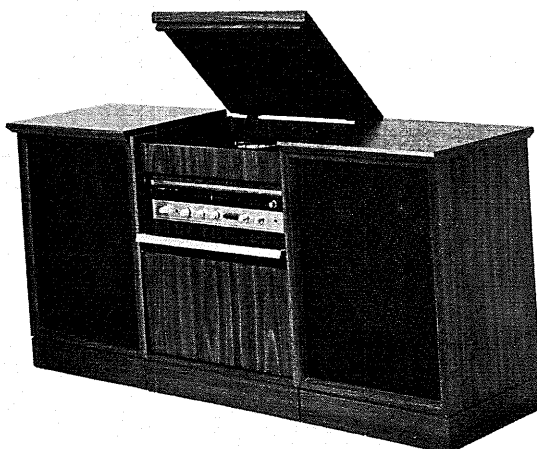
S-550/N·PL



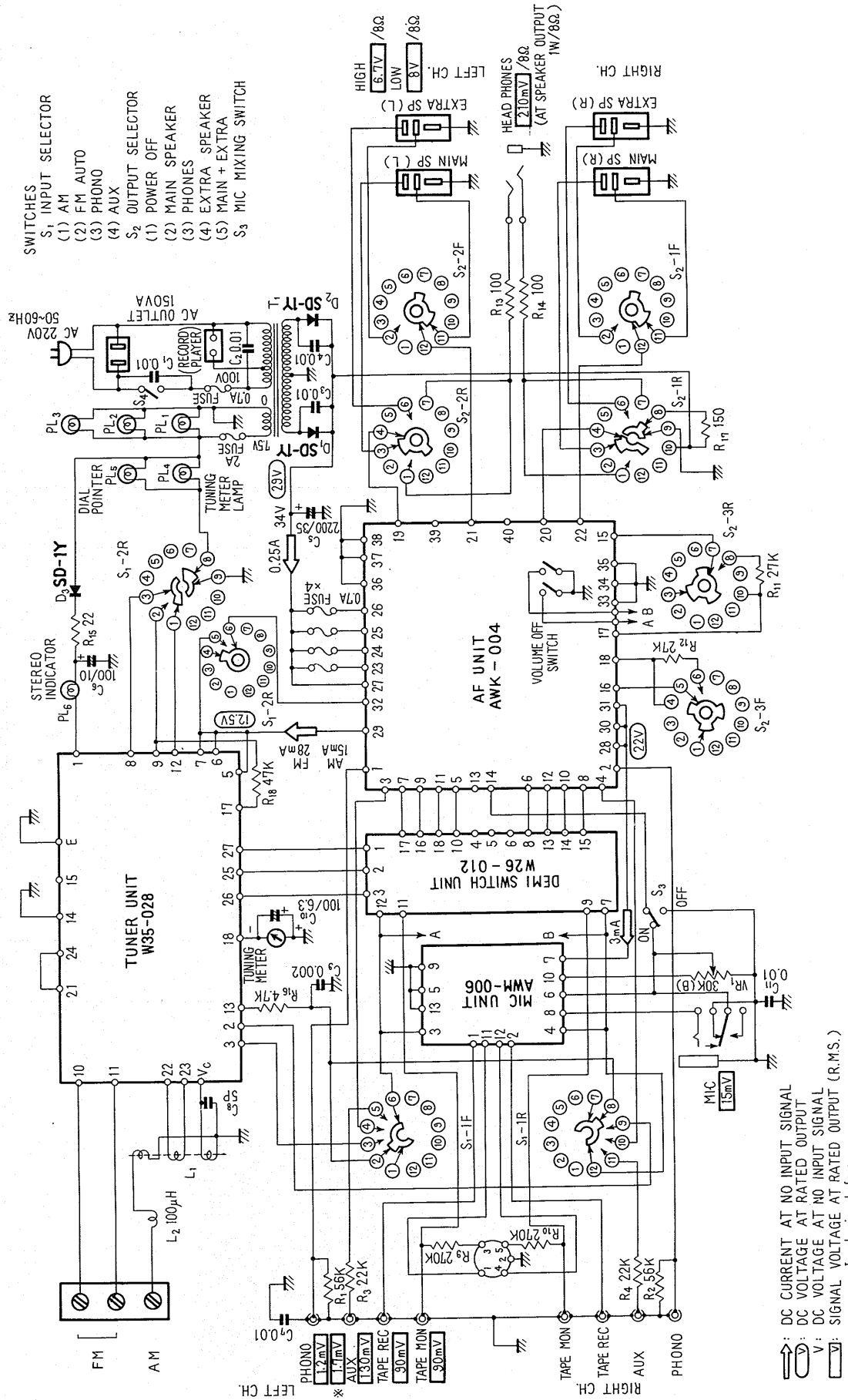
CONSOLE STEREO SYSTEM

S-770

UNIT \ ROUND LABEL	N					
TUNER UNIT	W35-028					
FM FRONT END						
FM IF UNIT						
AF UNIT	AWK-004					
AM TUNER UNIT						
MUTING UNIT						
HEAD AMP UNIT						
CONTROL AMP UNIT						
MIC UNIT	AWM-006					
POWER SUPPLY UNIT						
DEMISWITCH UNIT	W26-012					
SWITCH UNIT						
SWITCH UNIT						
TONE COLOR UNIT						
CONTROL UNIT						
MIC AMP UNIT						
REVERBE AMP UNIT						
REVERBE UNIT						



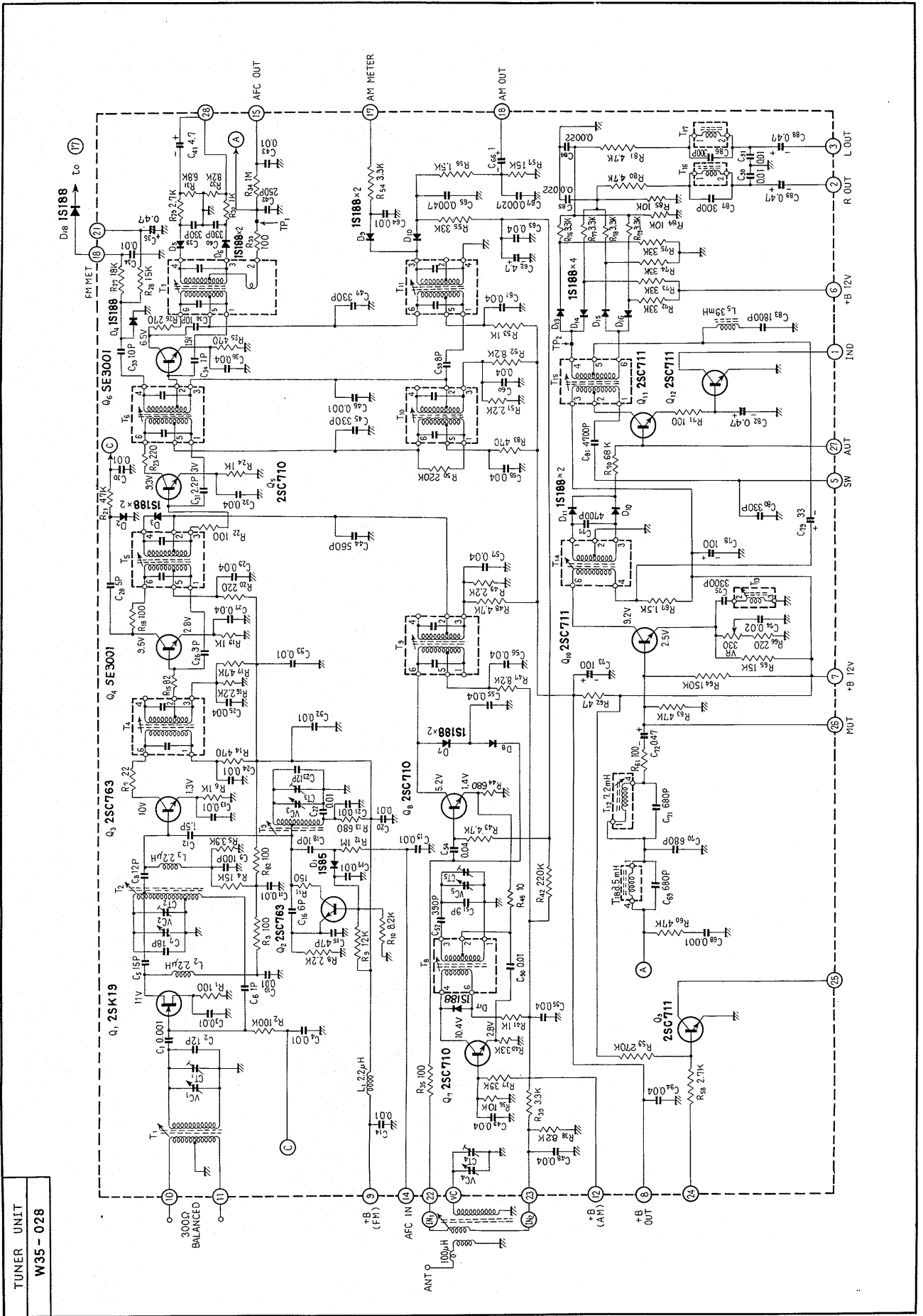
S-770



- SWITCHES**
S₁ INPUT SELECTOR
 (1) AM
 (2) FM AUTO
 (3) PHONO
 (4) AUX
S₂ OUTPUT SELECTOR
 (1) POWER OFF
 (2) MAIN SPEAKER
 (3) PHONES
 (4) EXTRA SPEAKER
 (5) MAIN + EXTRA
S₃ MIC MIXING SWITCH

- ⊃ : DC CURRENT AT NO INPUT SIGNAL
- V : DC VOLTAGE AT RATED OUTPUT
- ⊃ : DC VOLTAGE AT NO INPUT SIGNAL
- ⊃ : SIGNAL voltage frequency
- HIGH : 5kHz
- OTHERS : 1kHz
- OTHERS : 200Hz

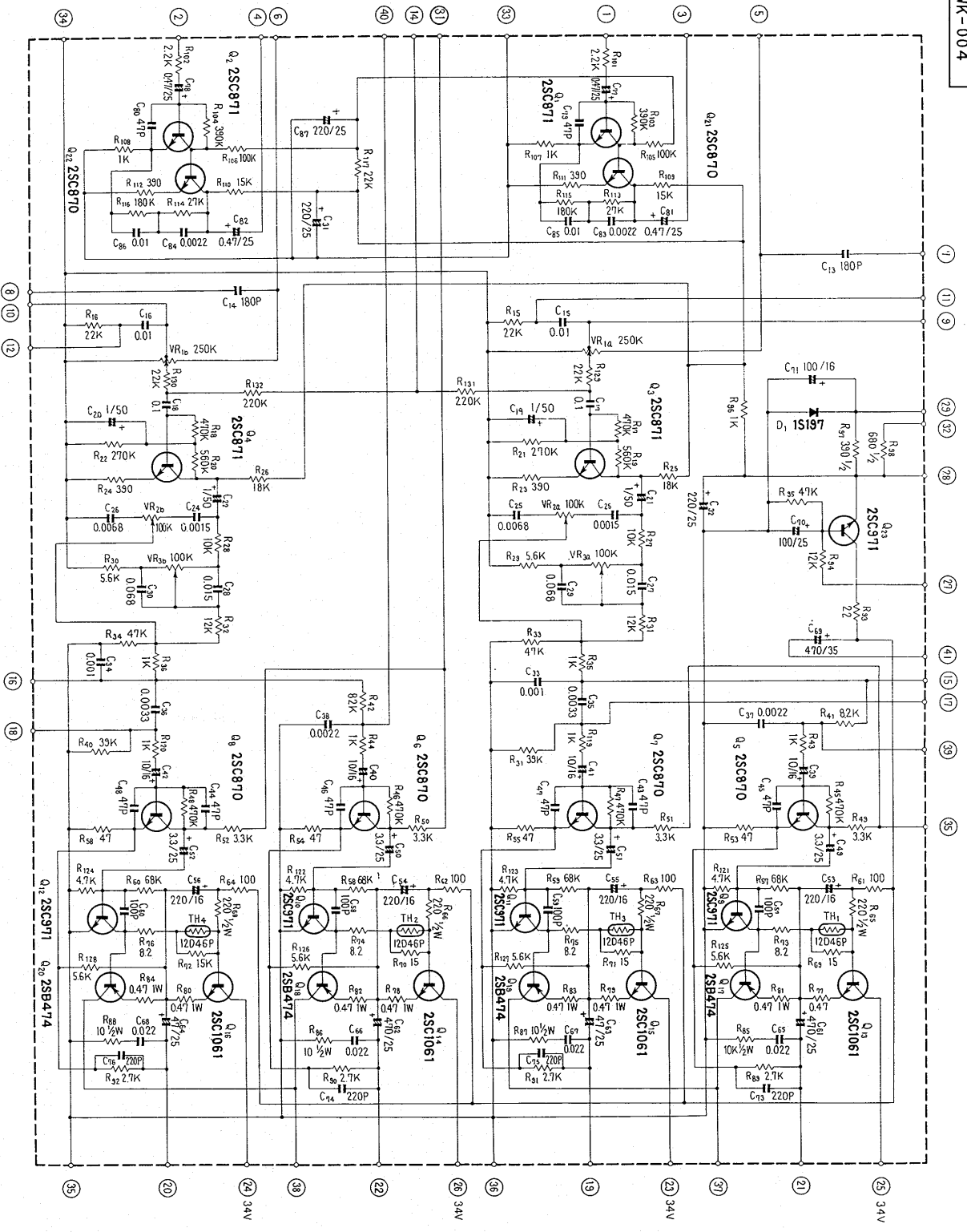
TUNER UNIT



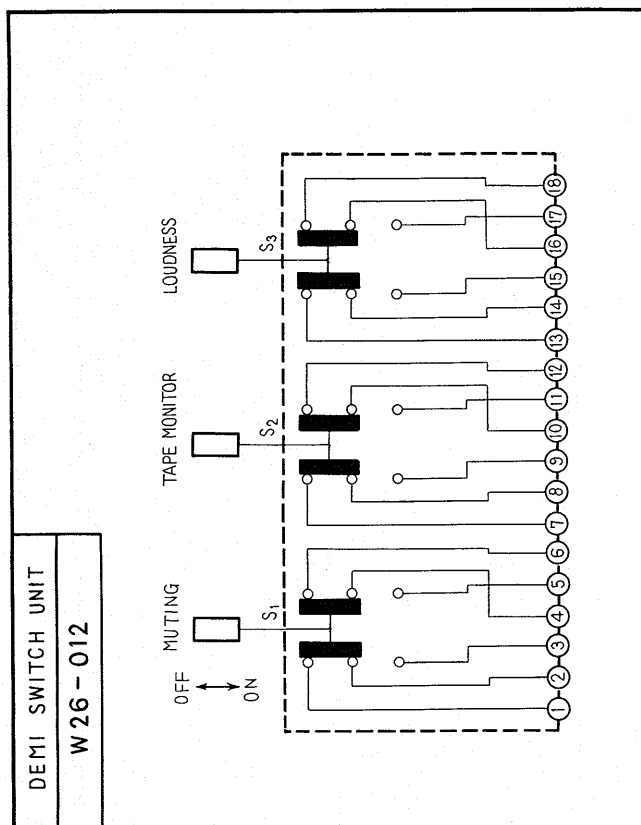
TUNER UNIT
W35 - 028

AF UNIT

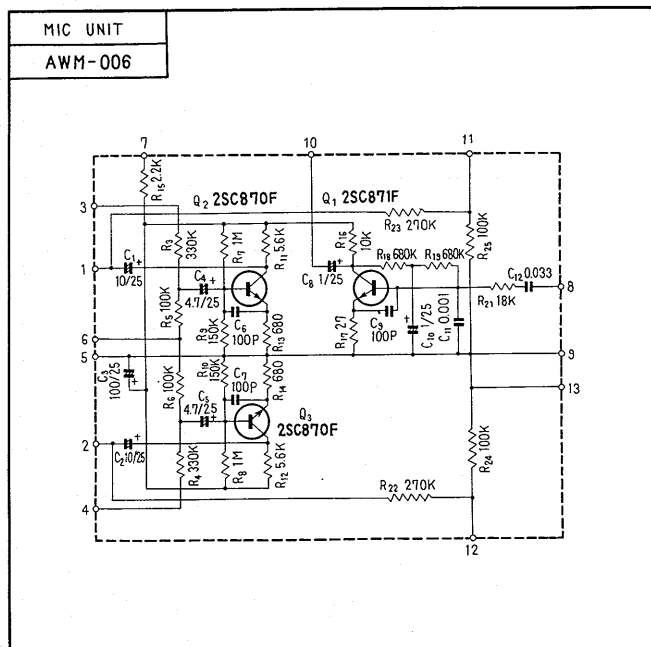
AF UNIT
AMK-004



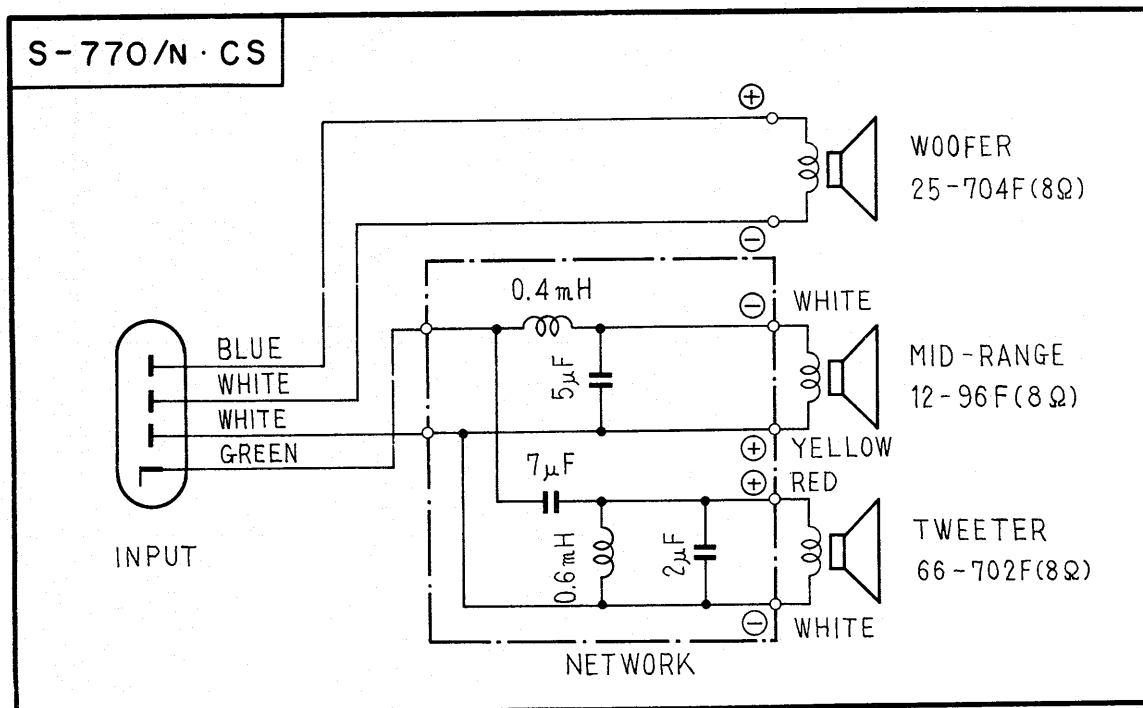
DEMI SWITCH UNIT



MIC UNIT

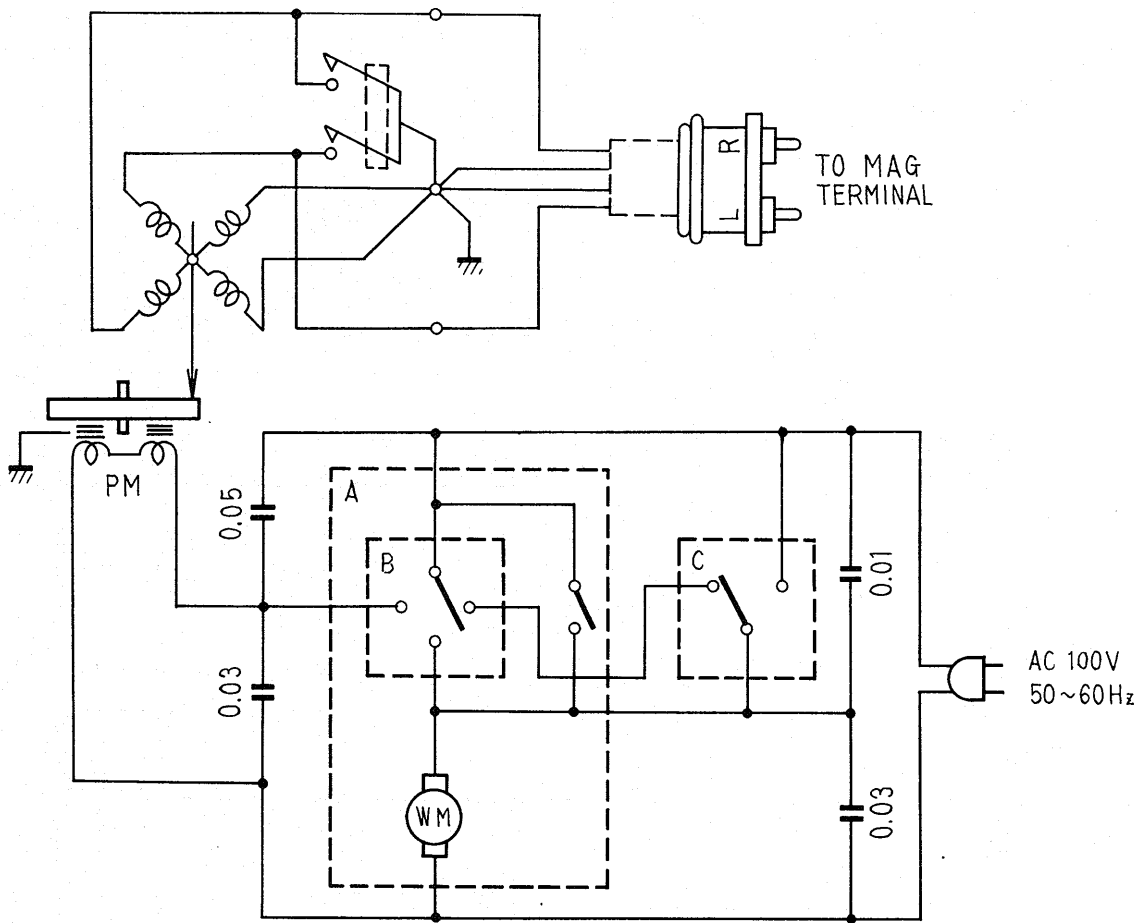


SPEAKER SYSTEM



TURNTABLE

S-770/N, PL

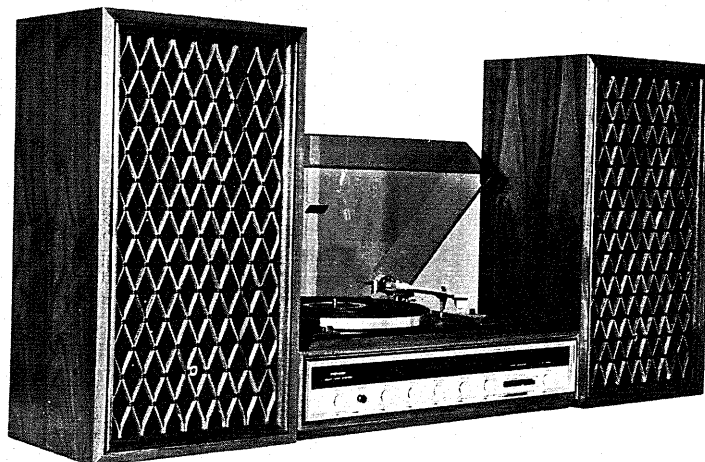


COMPACT STEREO

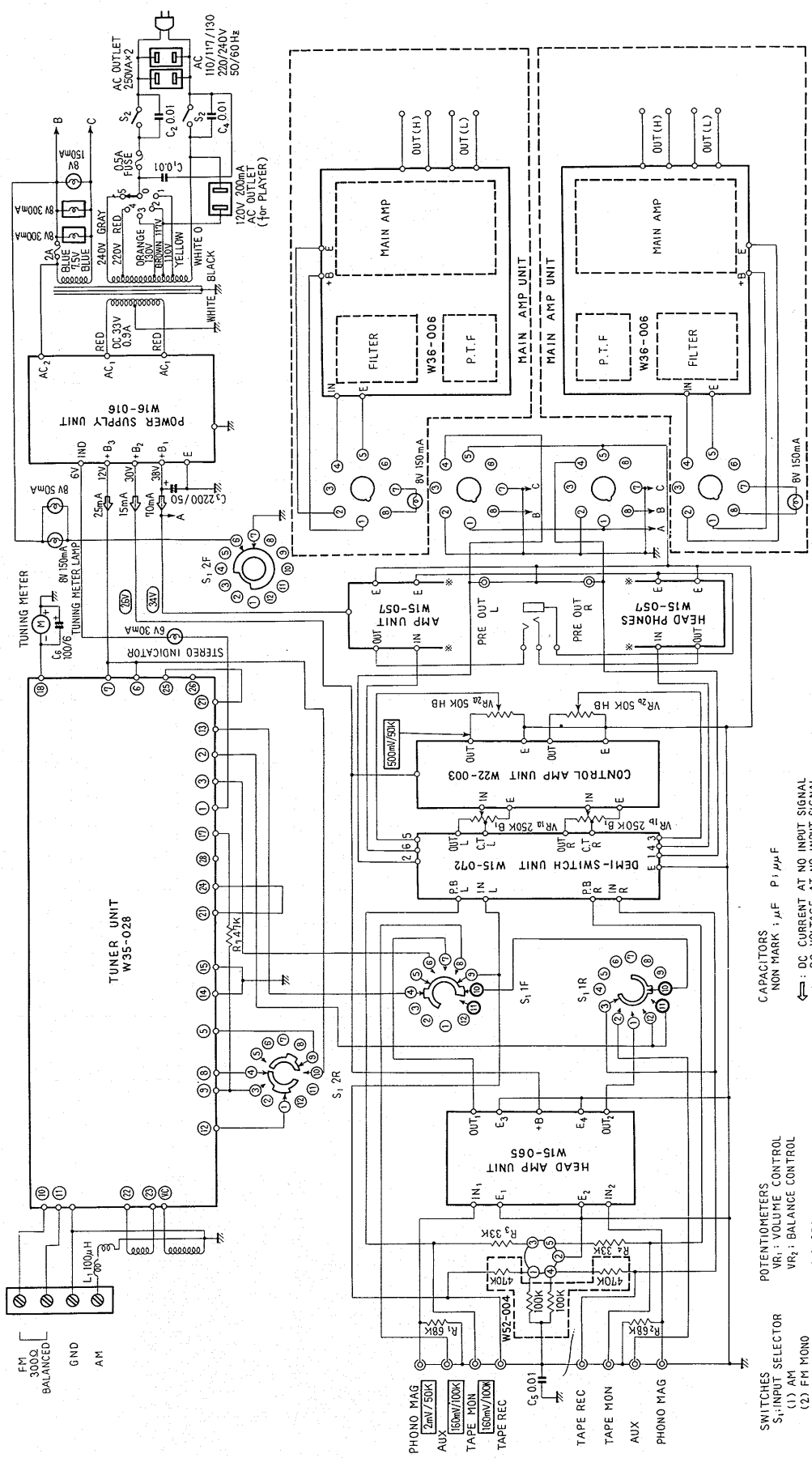
C-5600A

C-5600D

UNIT	ROUND LABEL	FV					
TUNER UNIT		W35-028					
FM FRONT END							
FM IF UNIT							
MPX UNIT							
AM TUNER UNIT							
MUTING UNIT							
HEAD AMP UNIT		W15-065					
CONTROL AMP UNIT		W22-003					
MAIN AMP UNIT		W36-006					
POWER SUPPLY UNIT		W16-016					
DEMISWITCH UNIT		W15-072					
SWITCH UNIT							
SWITCH UNIT							
TONE COLOR UNIT							
CONTROL UNIT							
MIC AMP UNIT							
REVERBE AMP UNIT							
REVERBE UNIT							
HEADPHONES UNIT		W15-057					



C-5600A



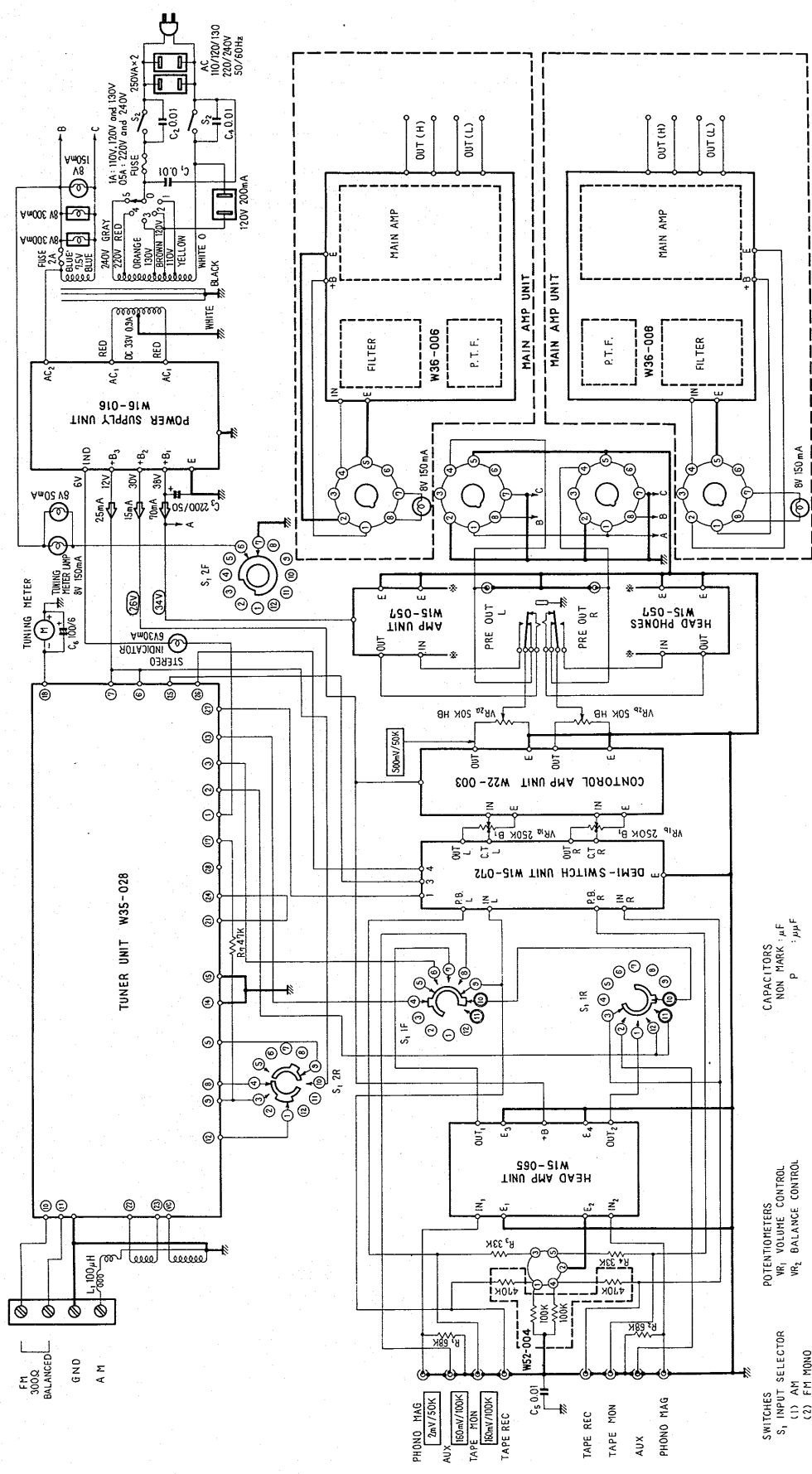
ITEM No.	VACANT No.
R ₁ ~ R ₇	R ₅ ~ R ₆
C ₁ ~ C ₆	

CAPACITORS
 NON MARK : μF P : μF
 ◀ : DC CURRENT AT NO INPUT SIGNAL
 ○ : DC VOLTAGE AT NO INPUT SIGNAL
 ⊙ : DC VOLTAGE AT MAXIMUM INPUT SIGNAL
 ⊚ : SIGNAL VOLTAGE AT 12W/30 OUTPUT
 ALL VOLTAGES ARE MEASURED WITH V.T.V.M

POTENTIOMETERS
 VR₁ : VOLUME CONTROL
 VR₂ : BALANCE CONTROL
 RESISTORS
 NON MARK : OHM K : KILOHM M : MEGOHM
 W : WATT

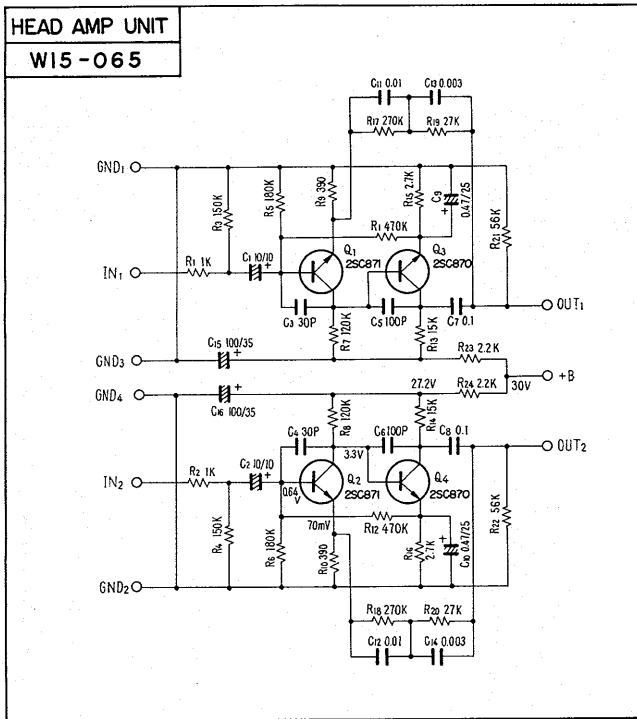
SWITCHES
 S₁ : INPUT SELECTOR
 (1) AM MONO
 (2) FM MONO
 (3) FM AUTO
 (4) PHONO
 (5) AUX
 S₂ : POWER SWITCH

C-5600D

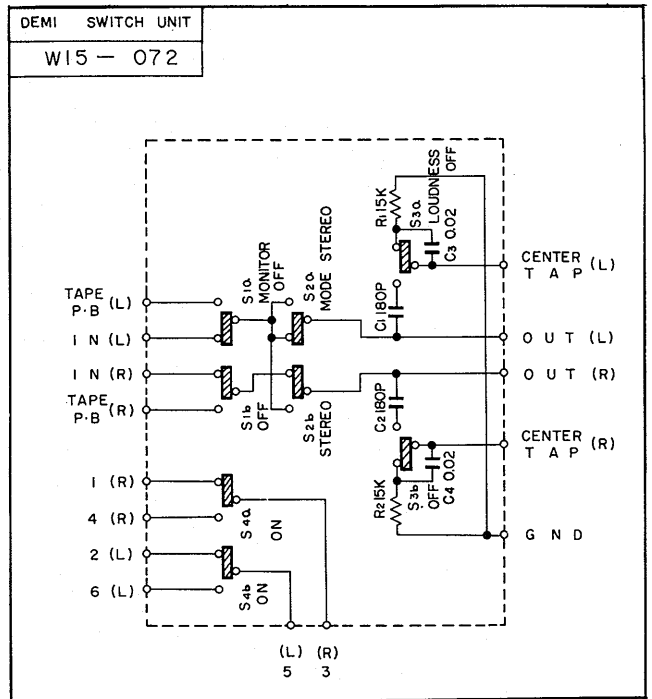


- SWITCHES**
 S₁ INPUT SELECTOR
 (1) AM
 (2) FM MONO
 (3) FM STEREO
 (4) PHONO
 (5) AUX
 S₂ POWER SWITCH
- POTENTIOMETERS**
 VR₁ VOLUME CONTROL
 VR₂ BALANCE CONTROL
- RESISTORS**
 10% TOLERANCE 1/4 WATT UNLESS NOTED
 NON MARK: OHM K: KILOHM M: MEGOHM
 W: WATT
- CAPACITORS**
 NON MARK: μF
 P: pF
- ← DC CURRENT AT NO INPUT SIGNAL
 V: DC VOLTAGE AT NO INPUT SIGNAL
 ⊖: DC VOLTAGE AT MAX INPUT SIGNAL
 ⊕: SIGNAL VOLTAGE AT 120V/80 (SPEAKER OUTPUT)
 ALL VOLTAGE MEASURED WITH V.T.V.M.

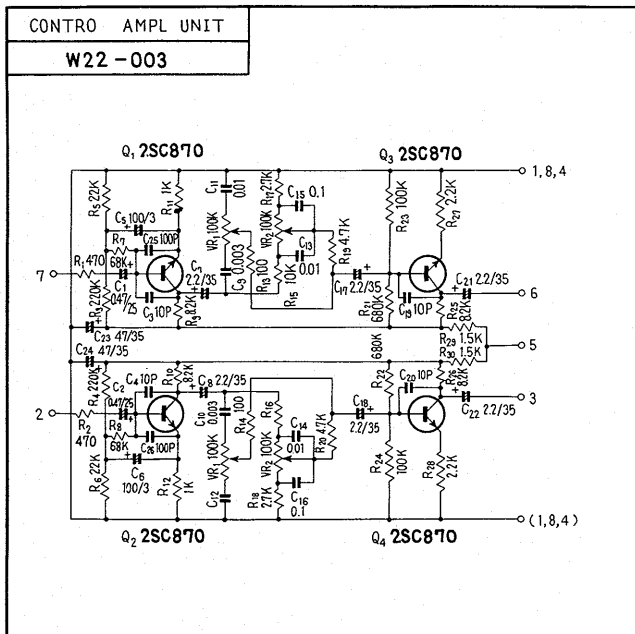
HEAD AMP UNIT



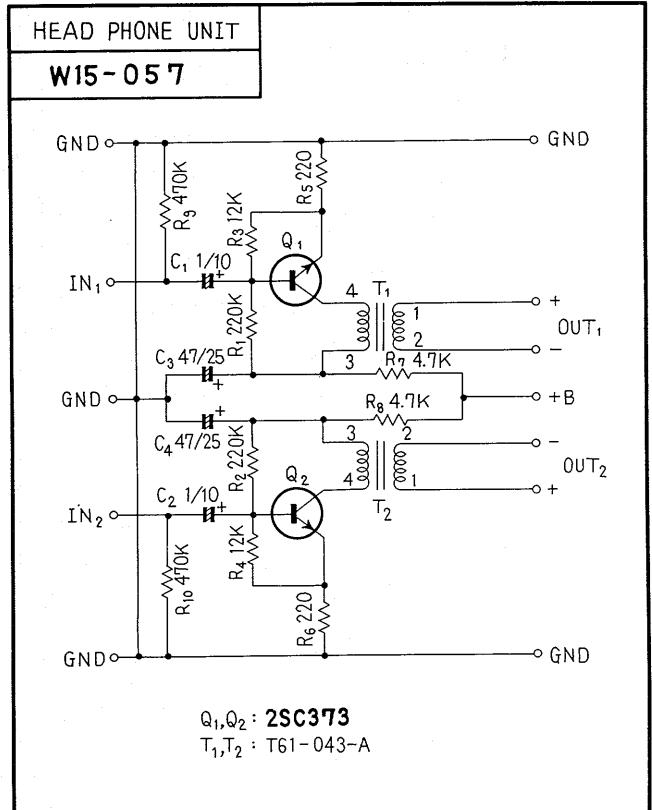
DEMI SWITCH UNIT



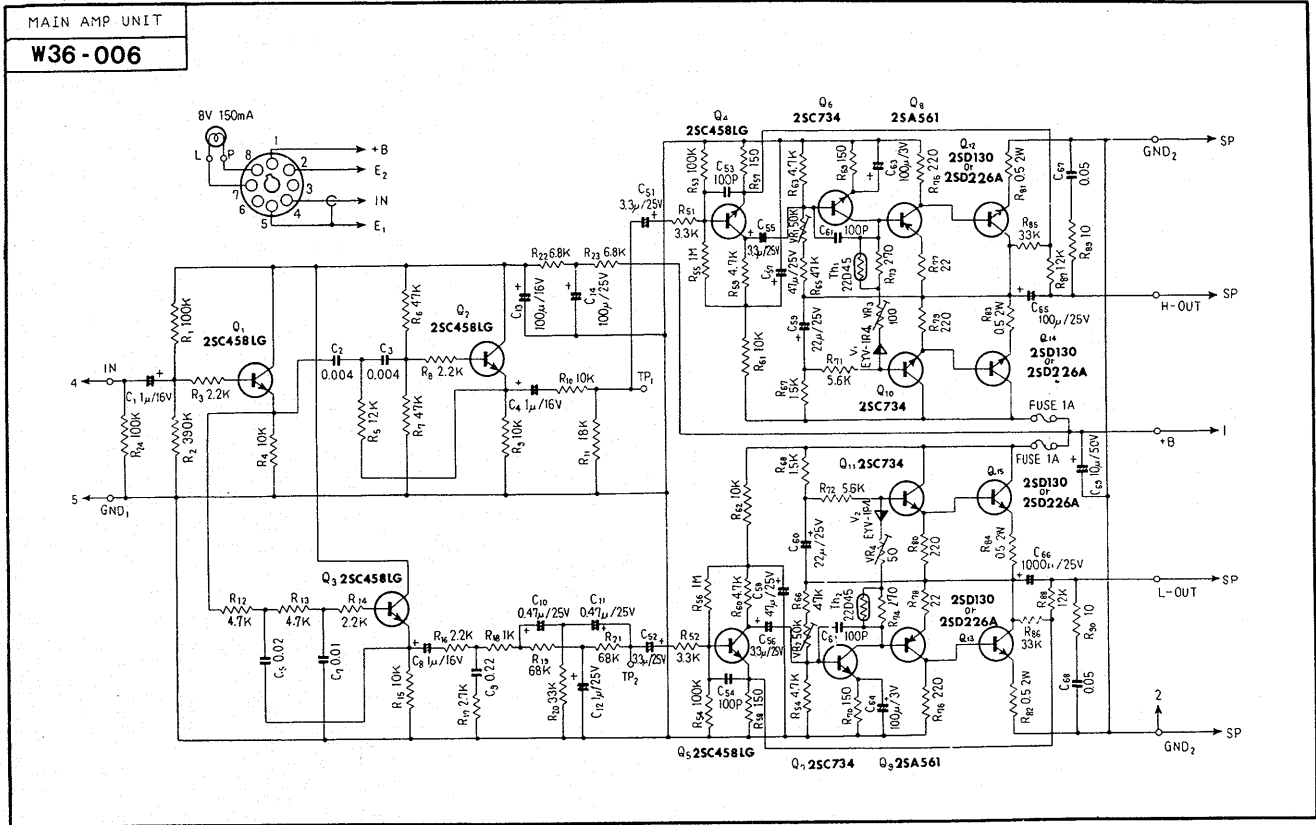
CONTR0 AMPL UNIT



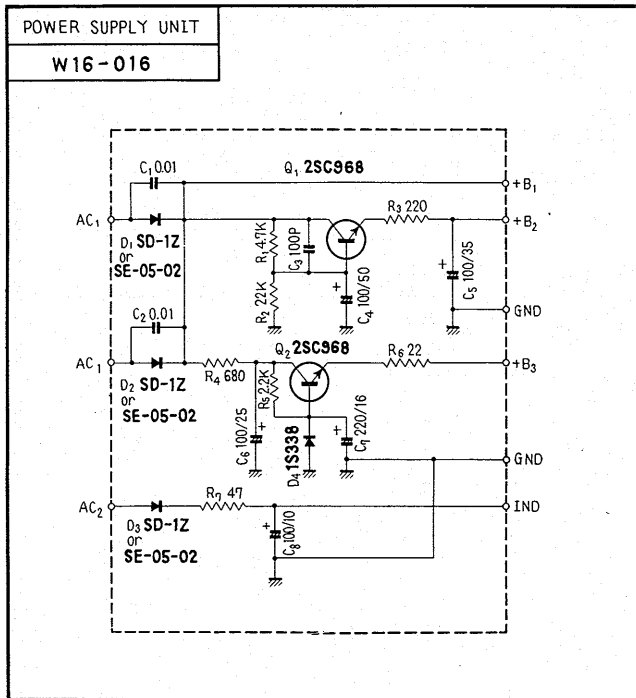
HEAD PHONE UNIT



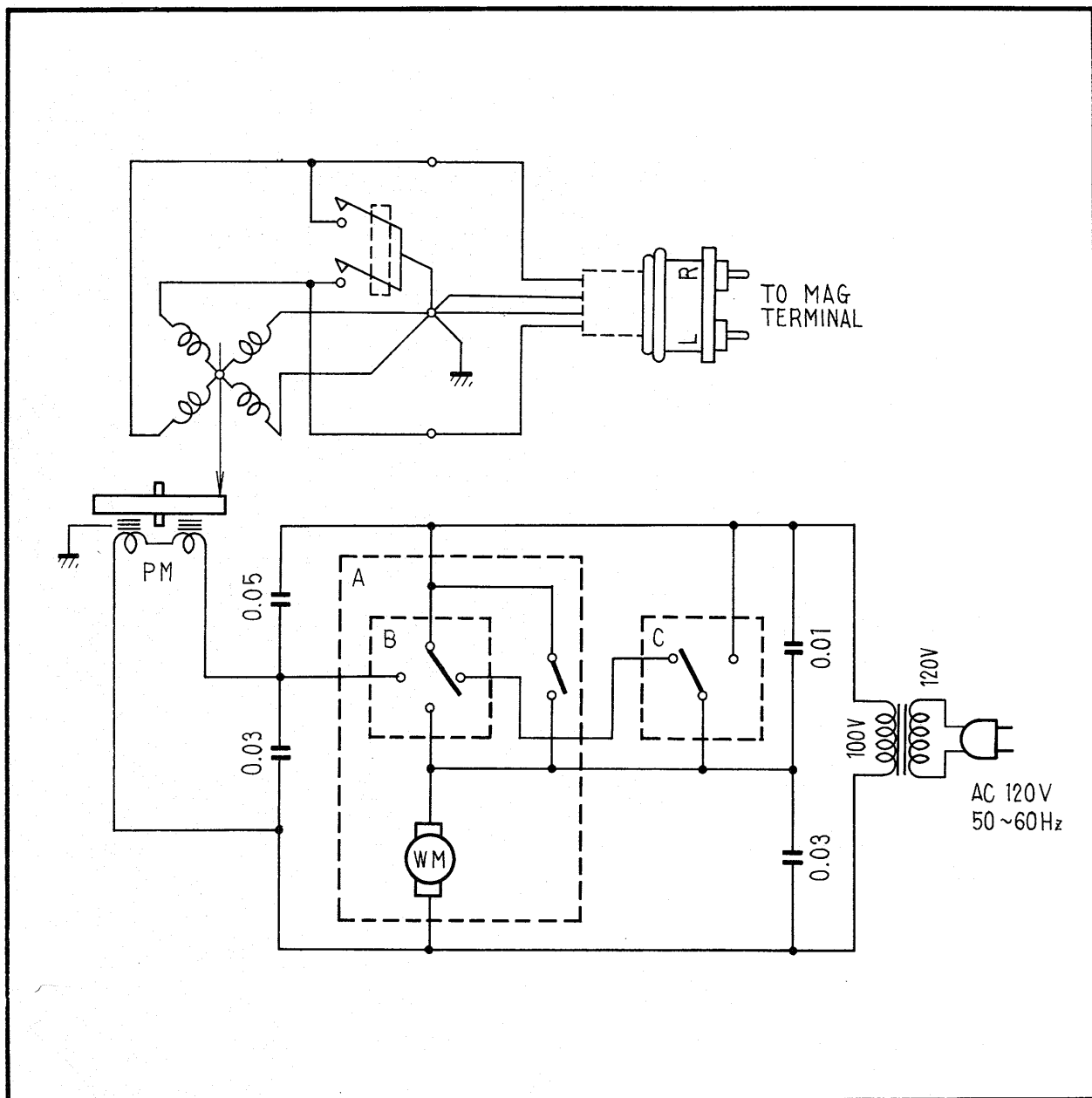
MAIN AMP UNIT



POWER SUPPLY UNIT

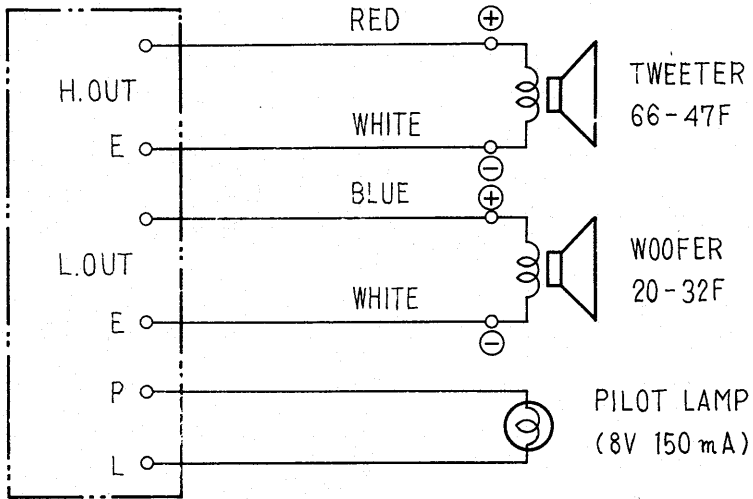


TURNTABLE UNIT



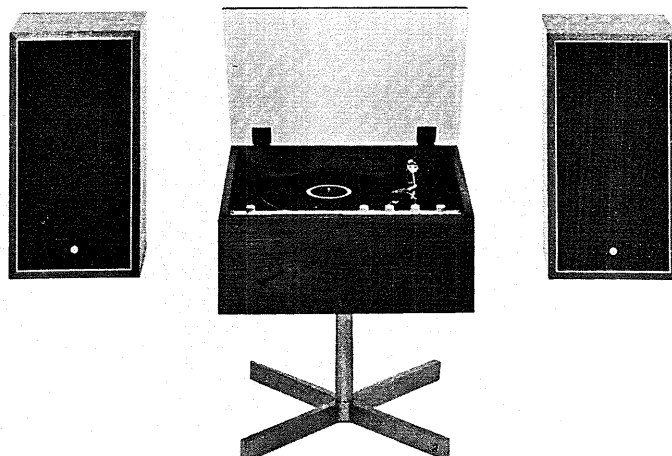
SPEAKER SYSTEM

C-5600A, D/F · CS

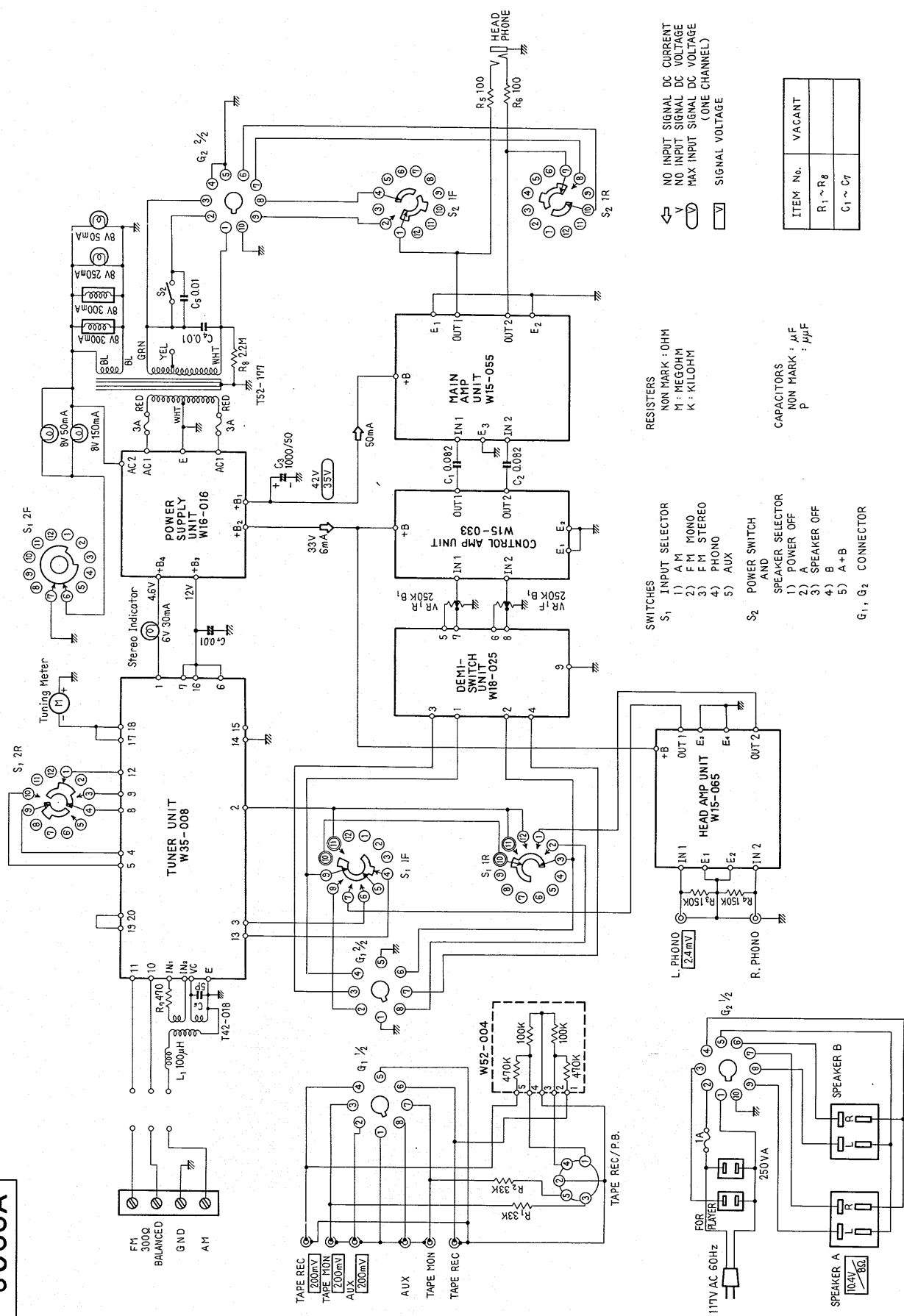


COMPACT STEREO C-6000A

ROUND LABEL UNIT	K					
TUNER UNIT	W35-008					
FM FRONT END						
FM IF UNIT						
MPX UNIT						
AM TUNER UNIT						
MUTING UNIT						
HEAD AMP UNIT	W15-065					
CONTROL AMP UNIT	W15-033					
MAIN AMP UNIT	W15-055					
POWER SUPPLY UNIT	W16-016					
DEMISWITCH UNIT	W18-025					
SWITCH UNIT						
SWITCH UNIT						
TONE COLOR UNIT						
CONTROL UNIT						
MIC AMP UNIT						
REVERBE AMP UNIT						
REVERBE UNIT						
HEAD PHONE UNIT						



C-6000A



NO INPUT SIGNAL DC CURRENT
 NO INPUT SIGNAL DC VOLTAGE
 MAX INPUT SIGNAL DC VOLTAGE (ONE CHANNEL)
 SIGNAL VOLTAGE

RESISTERS
 NON MARK : OHM
 M : MEGOHM
 K : KILOHM

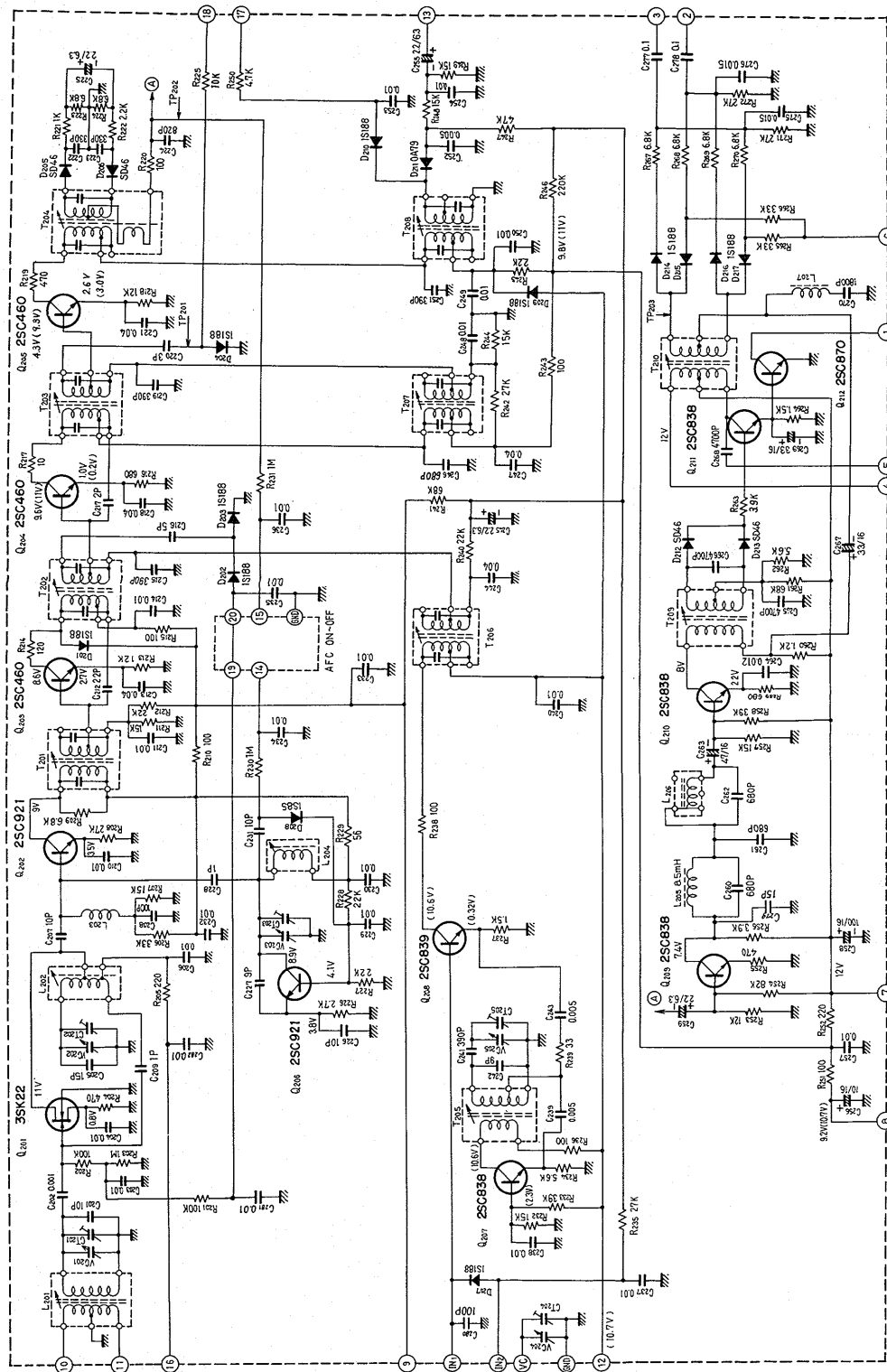
SWITCHES
 S₁ INPUT SELECTOR
 1) A M MONO
 2) F M STEREO
 3) F M STEREO
 4) PHONO
 5) AUX

S₂ POWER SWITCH AND SPEAKER SELECTOR
 1) POWER OFF
 2) A
 3) SPEAKER OFF
 4) B
 5) A+B
 G₁, G₂ CONNECTOR

ITEM No.	VACANT
R ₁ ~ R ₈	
C ₁ ~ C ₇	

CAPACITORS
 NON MARK : μF
 P

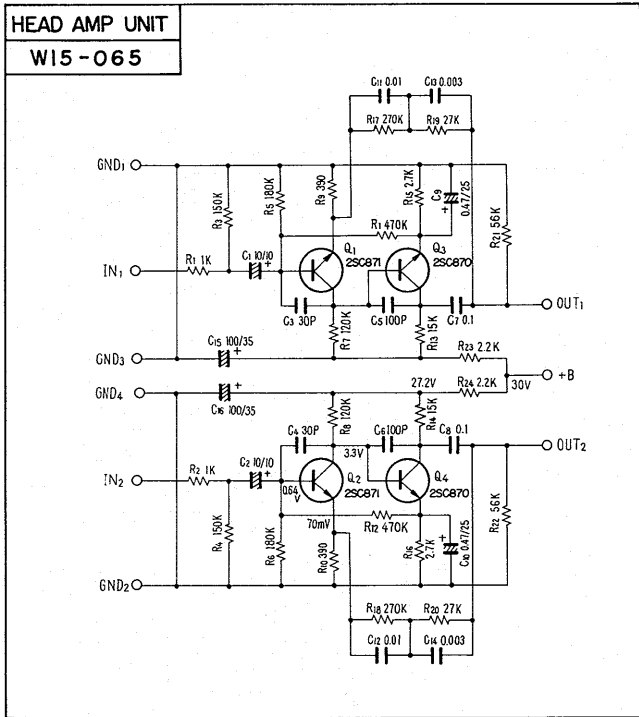
TUNER UNIT



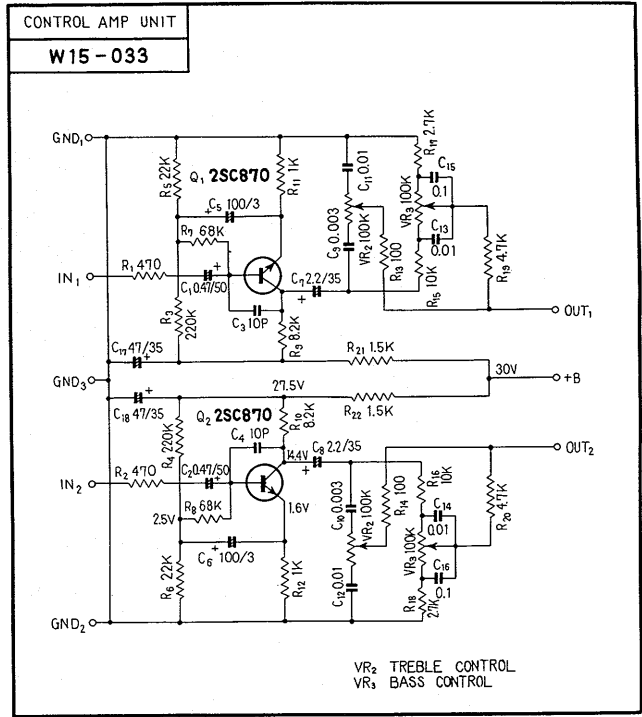
V : DC VOLTAGE (F M)
(V) : DC VOLTAGE (A M)

TUNER UNIT
W35-008

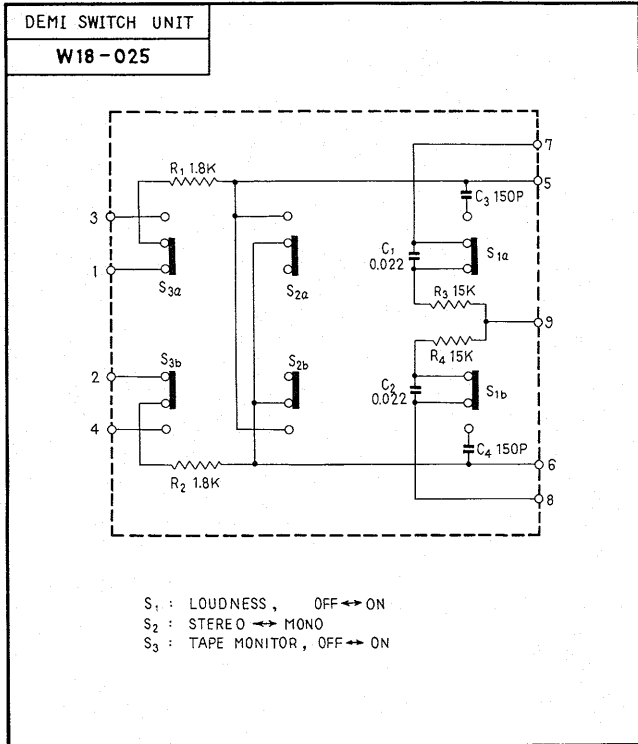
HEAD AMP UNIT



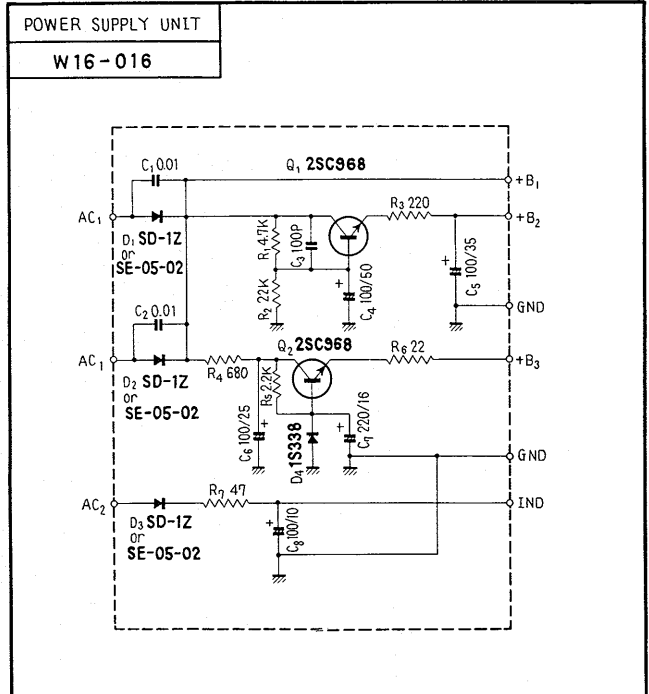
CONTROL AMP UNIT



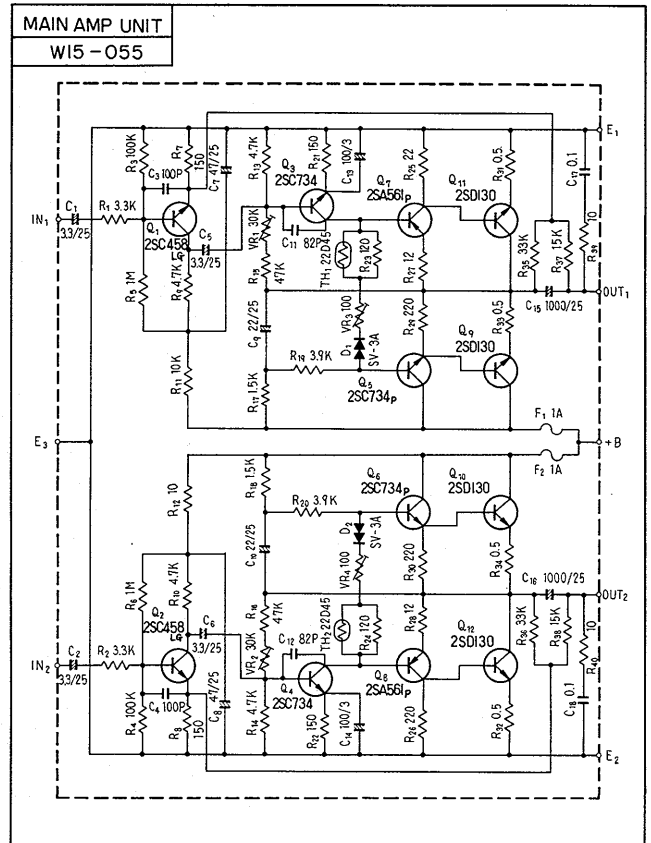
DEMI SWITCH UNIT



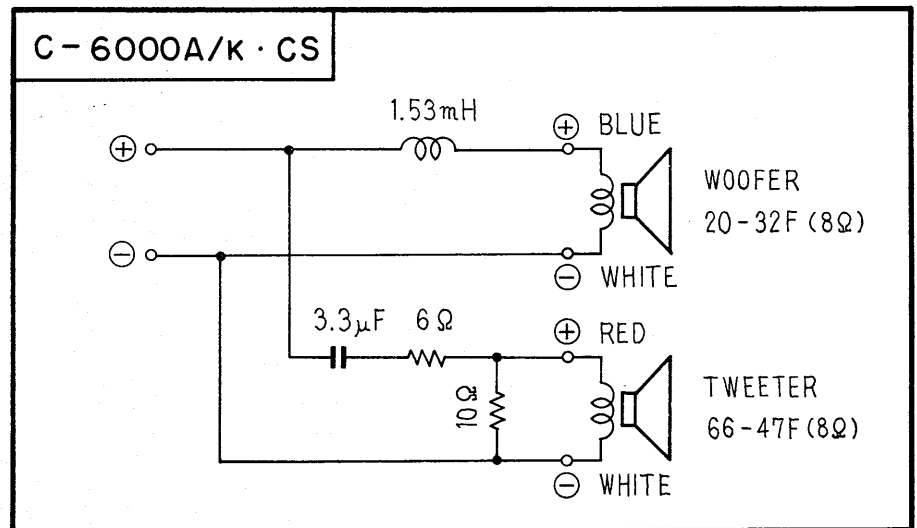
POWER SUPPLY UNIT



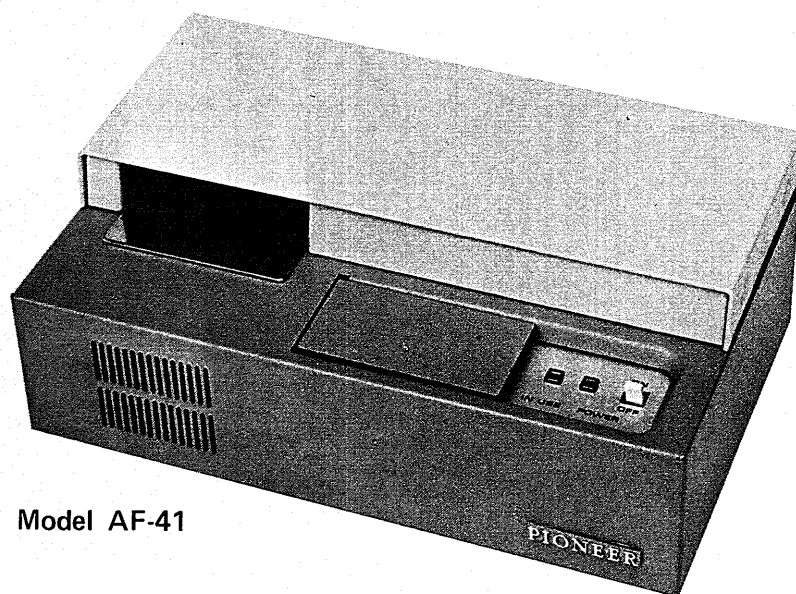
MAIN AMP UNIT



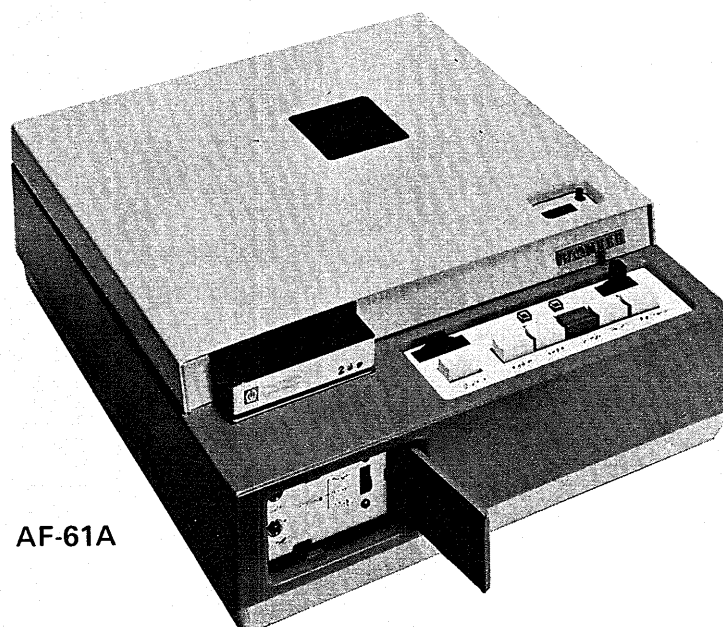
SPEAKER SYSTEM



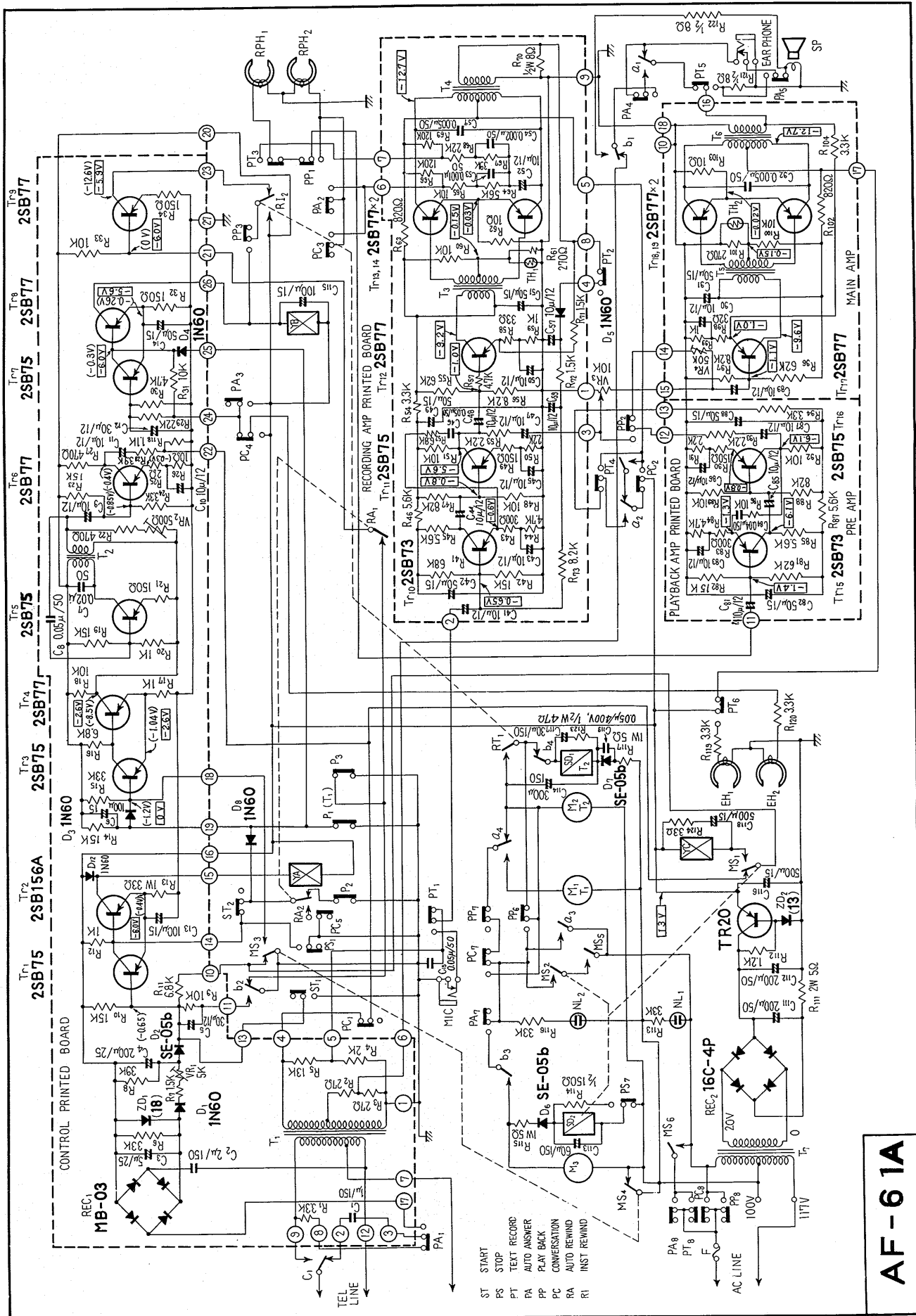
ANSAFONES



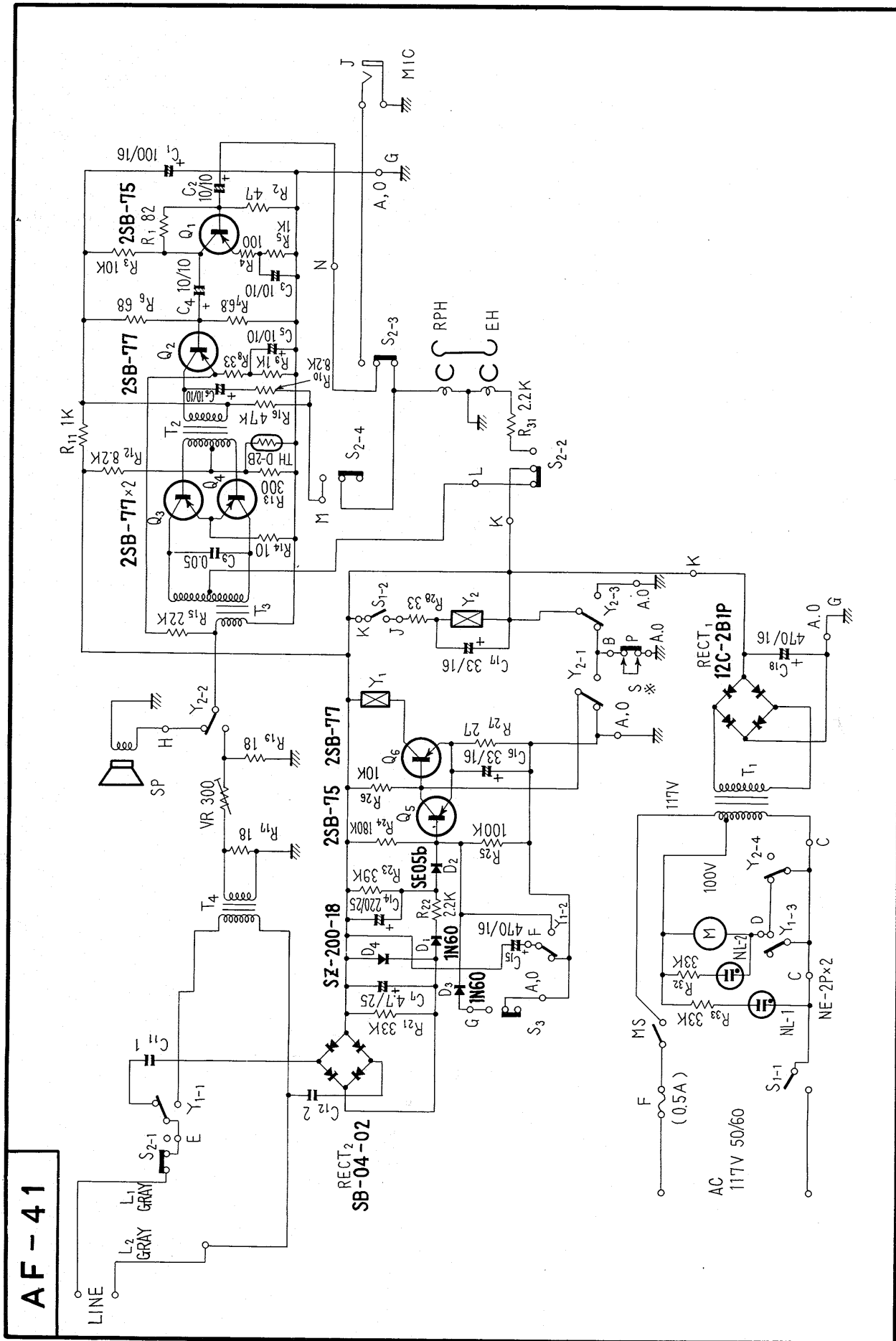
Model AF-41



Model AF-61A



AF-61A



PIONEER ELECTRONIC CORPORATION

15-5, 4-Chome, Ohmon-nishi, Ohta-ku, Tokyo, Japan

U.S. PIONEER ELECTRONICS CORPORATION

178 Commerce Road, Carlstadt New Jersey 07072 U.S.A.

PIONEER ELECTRONIC (EUROPE) N.V.

Noorderlaan 83, 2030 Antwerp, Belgium

JAN. 1972 PRINTED IN JAPAN