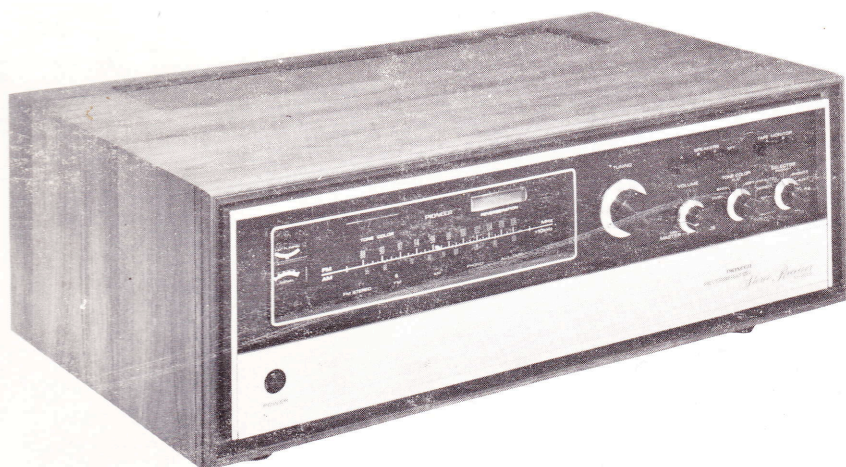


CIRCUIT DIAGRAMS

VOL.3



FOR PIONEER AUDIO EQUIPMENTS

Including

AM/FM STEREO RECEIVER,
MW/SW/FM STEREO RECEIVER,
QUADRAPHONIC RECEIVER,
LW/MW/FM STEREO RECEIVER,
FM STEREO RECEIVER, and
AM RECEIVER.

PIONEER®

CONTENTS

NOTE:

Each model comes in several versions equipped with slightly different circuits distinguished as follows:

For identification, see round label on rear panel

AM/FM STEREO RECEIVER

SX-330	1
SX-440	5
SX-525	15
SX-626	21
SX-770	27
SX-990	37
SX-1000TW	53
SX-1500TD	59
SX-2500	69
SX-6000	77
SX-9000	83

QUADRAPHONIC RECEIVER

QX-8000	91
---------------	----

SW/MW/FM STEREO RECEIVER

KX-330	99
KX-333	103
KX-440	107
KX-444	113
KX-550	119
KX-555	125

LW/MW/FM STEREO RECEIVER

LX-440	131
LX-440A	137
LX-880	143

FM STEREO RECEIVER

FX-330	149
--------------	-----

AM RECEIVER

AX-330	157
--------------	-----

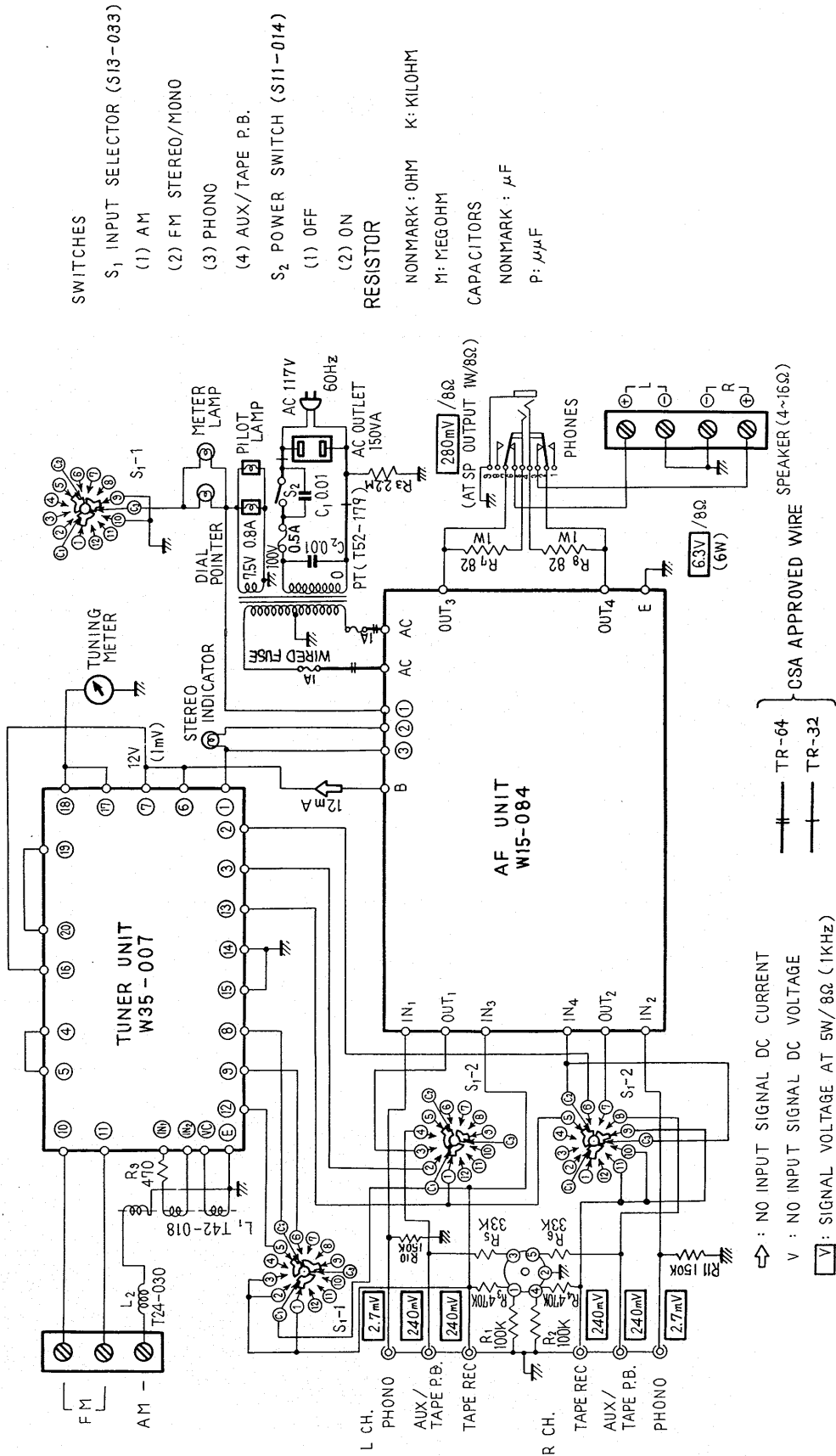
AM/FM STEREO RECEIVER

SX-330

UNIT \ ROUND LABEL	KCW					
TUNER UNIT	W35-007					
FM FRONT END						
FM IF UNIT						
MPX UNIT						
AM TUNER UNIT						
MUTING UNIT						
AF UNIT	W15-084					
CONTROL AMP UNIT						
MAIN AMP UNIT						
POWER SUPPLY UNIT						
SWITCH UNIT						
SWITCH UNIT						
SWITCH UNIT						
TONE COLOR UNIT						
CONTROL UNIT						
MIC AMP UNIT						
REVERBE AMP UNIT						
REVERBE UNIT						
INDICATOR UNIT						



SX-330/KCW



- SWITCHES**
 S₁ INPUT SELECTOR (S13-033)
 (1) AM
 (2) FM STEREO/MONO
 (3) PHONO
 (4) AUX/TAPE P.B.
- S₂ POWER SWITCH (S11-014)
 (1) OFF
 (2) ON
- RESISTOR**
 NONMARK: OHM K: KILOHM
 M: MEGOHM
 CAPACITORS
 NONMARK: μF
 P: μμF

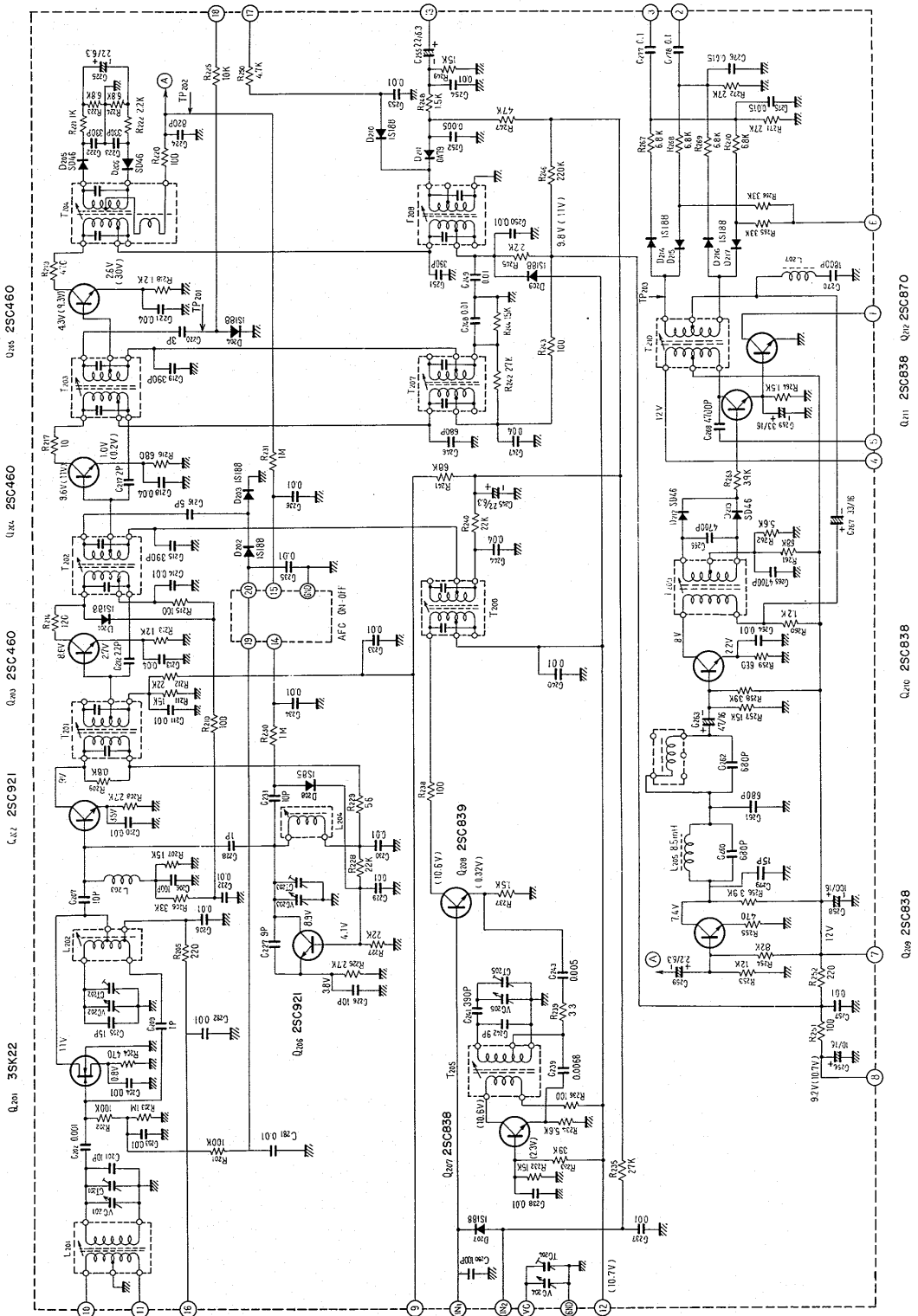
⇨ : NO INPUT SIGNAL DC CURRENT
 V : NO INPUT SIGNAL DC VOLTAGE
 □ V : SIGNAL VOLTAGE AT 5W/8Ω (1KHz)

——— TR-64
 ——— TR-32

CSA APPROVED WIRE SPEAKER (4-16Ω)

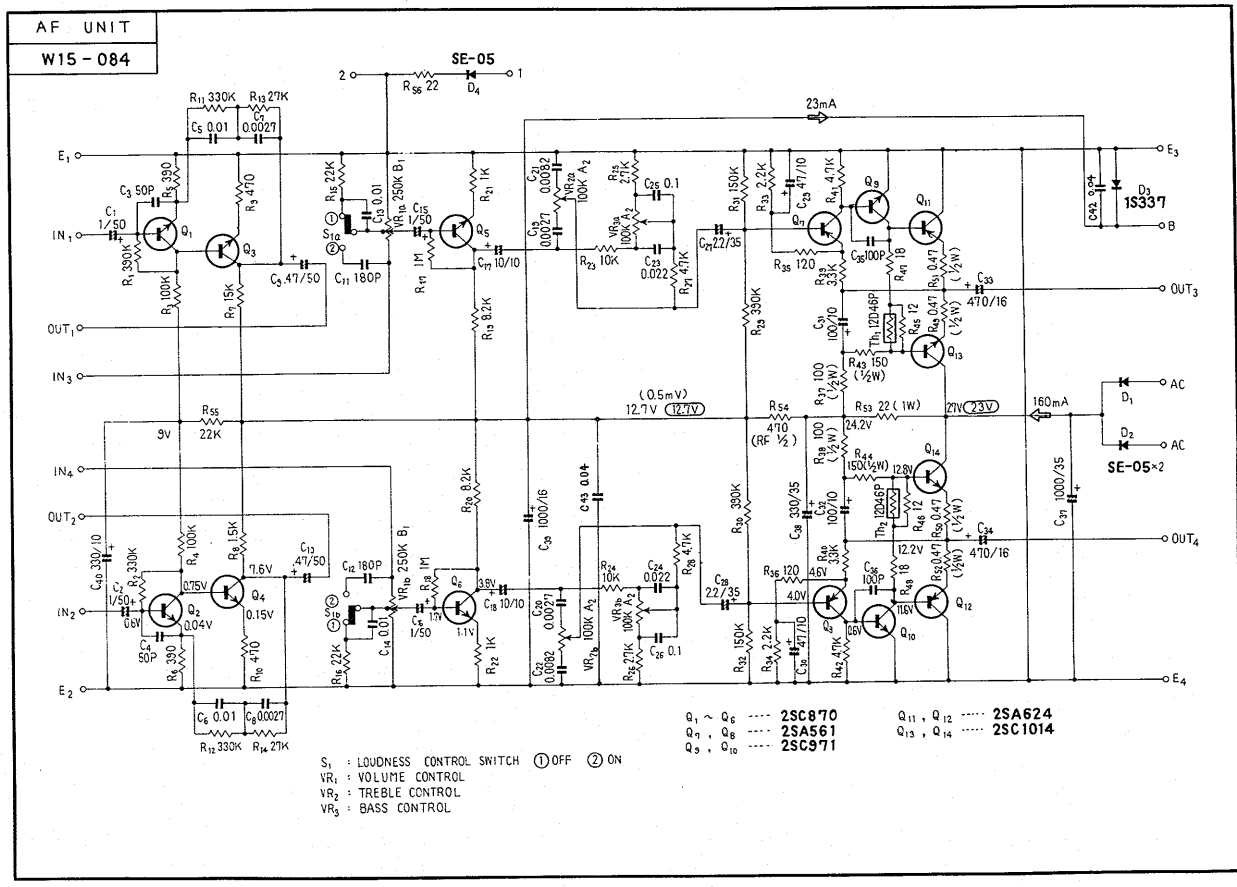
TUNER UNIT

TUNER UNIT
W 35-007



V : DC VOLTAGE (F.M)
(V) : DC VOLTAGE (A.M)

AF UNIT

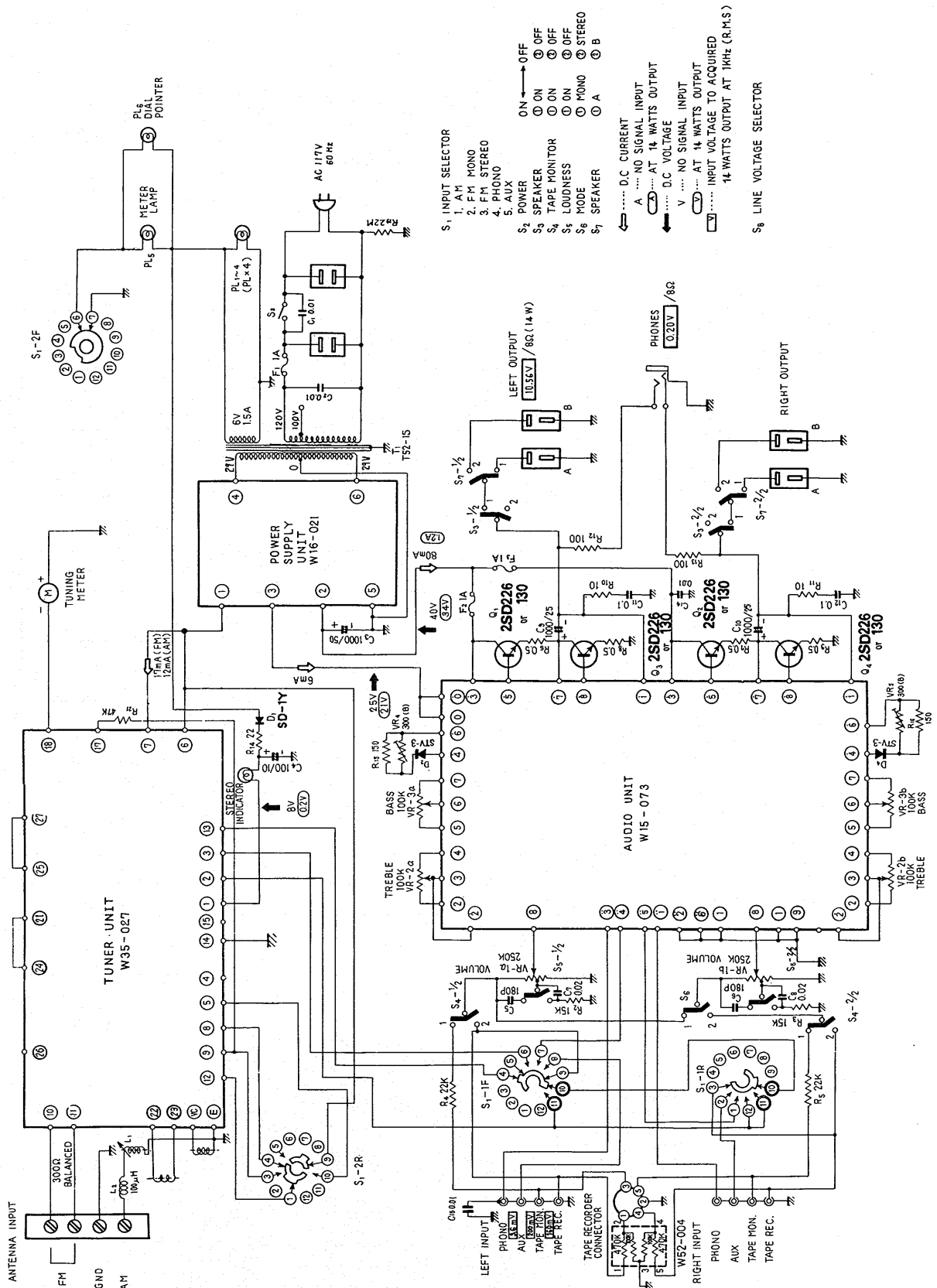


AM/FM STEREO RECEIVER SX-440

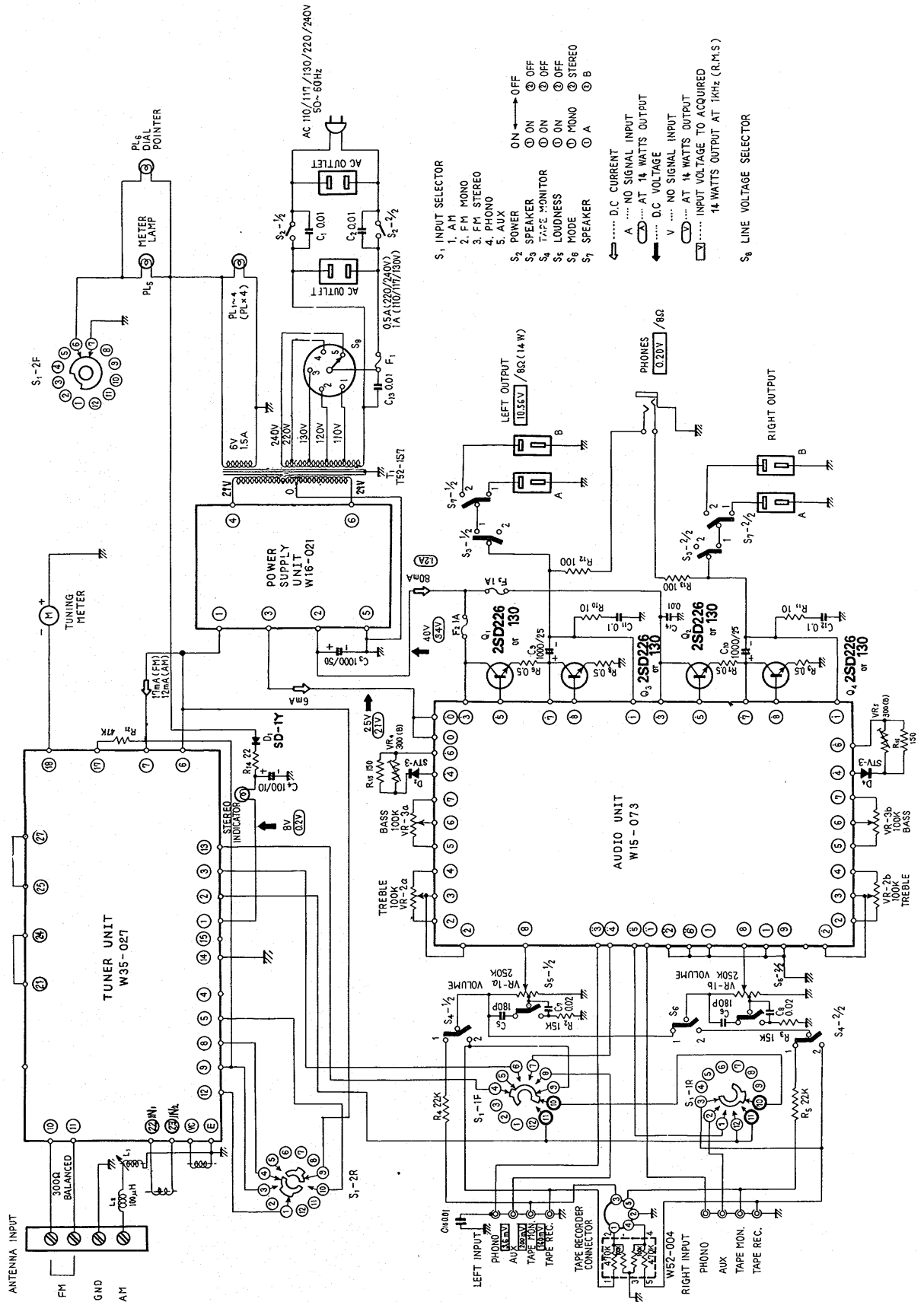
ROUND LABEL UNIT	KCLW	FWW	FVZW	NBW		
TUNER UNIT	W35-027	W35-027	AWE-004	W35-022		
FM FRONT END						
FM IF UNIT						
MPX UNIT						
AM TUNER UNIT						
MUTING UNIT						
AUDIO UNIT	W15-073	W15-073	W15-073	W36-011		
CONTROL AMP UNIT						
MAIN AMP UNIT						
POWER SUPPLY UNIT	W16-021	W16-021	W16-021	W16-063		
SWITCH UNIT						
SWITCH UNIT						
SWITCH UNIT						
TONE COLOR UNIT						
CONTROL UNIT						
MIC AMP UNIT						
REVERBE AMP UNIT						
REVERBE UNIT						



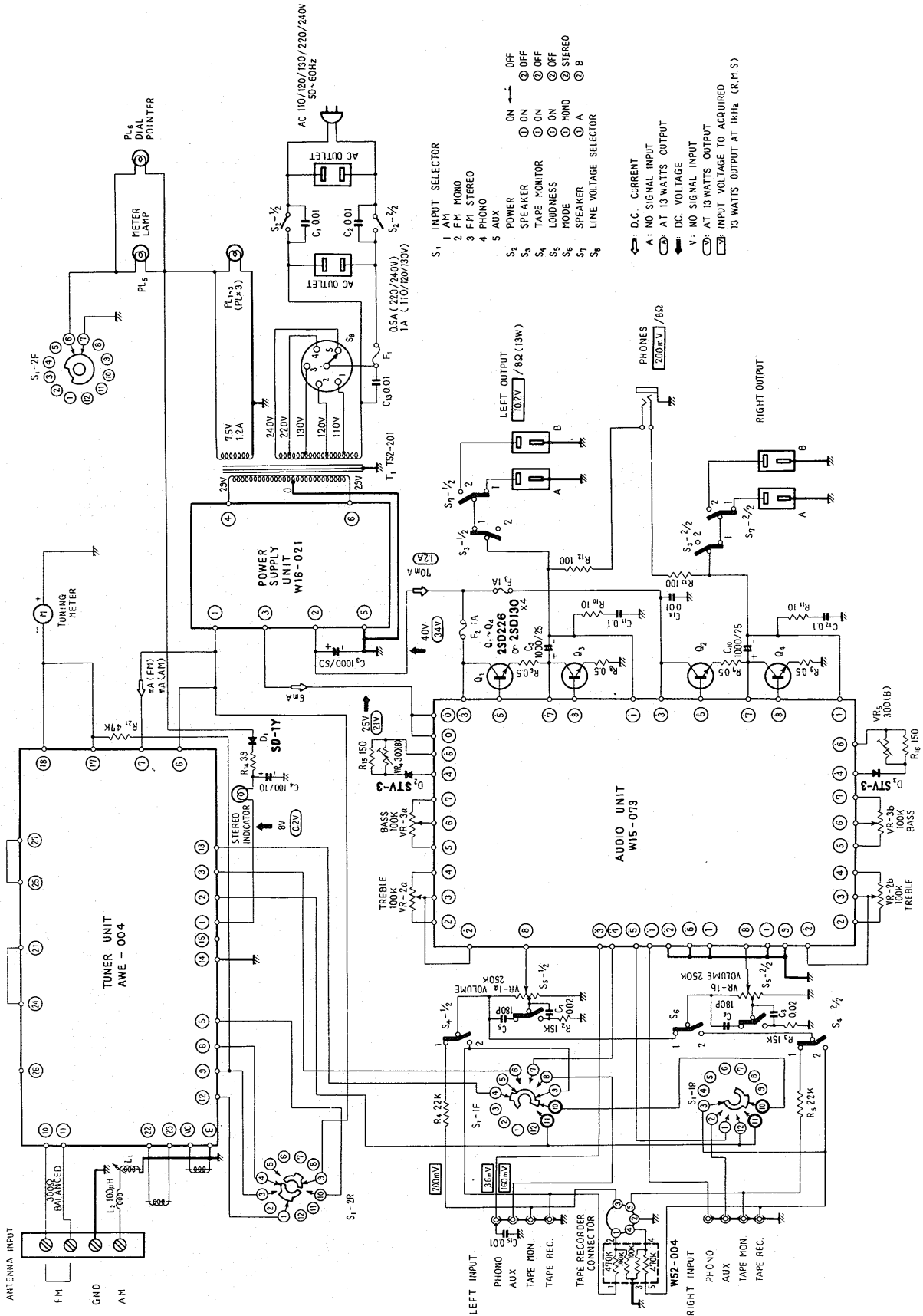
SX-440



SX-440



- S₁ INPUT SELECTOR
 1. AM MONO
 2. FM STEREO
 3. PHONO
 4. AUX
- S₂ POWER
 ON → OFF
 ⊙ ON ⊙ OFF
 ⊙ ON ⊙ OFF
- S₃ SPEAKER
 ⊙ ON ⊙ OFF
 ⊙ ON ⊙ OFF
- S₄ TAPE MONITOR
 ⊙ ON ⊙ OFF
 ⊙ ON ⊙ OFF
- S₅ LOUDNESS
 ⊙ ON ⊙ OFF
 ⊙ ON ⊙ OFF
- S₆ MODE
 ⊙ A ⊙ B
 ⊙ A ⊙ B
- S₇ SPEAKER
 ⊙ A ⊙ B
 ⊙ A ⊙ B
- ← D.C. CURRENT
 A ... NO SIGNAL INPUT
 ⊙ ... AT 14 WATTS OUTPUT
- ← D.C. VOLTAGE
 V ... NO SIGNAL INPUT
 ⊙ ... AT 14 WATTS OUTPUT
 ⊙ ... INPUT VOLTAGE TO ACQUIRED
 14 WATTS OUTPUT AT 1kHz (R.M.S.)
- S₈ LINE VOLTAGE SELECTOR

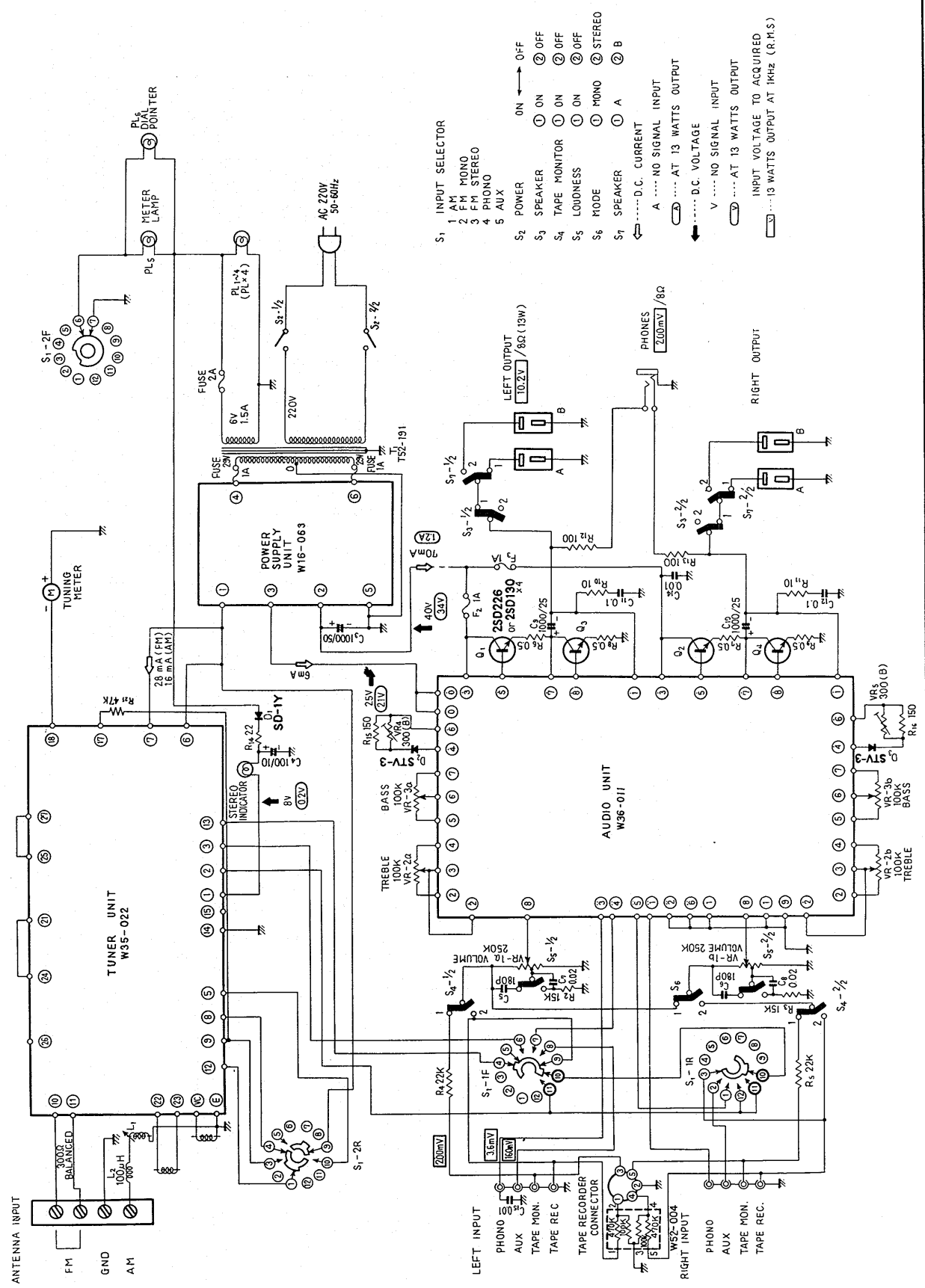


- S₁ INPUT SELECTOR**
- 1 FM MONO
 - 2 FM STEREO
 - 3 FM STEREO
 - 4 PHONO
 - 5 AUX
- S₂ SPEAKER** ON OFF
- S₃ TAPE MONITOR** ON OFF
- S₄ LOUDNESS** ON OFF
- S₅ MODE** MONO STEREO
- S₆ SPEAKER** A B
- S₇ LINE VOLTAGE SELECTOR**

- ⊖: D.C. CURRENT
- A: NO SIGNAL INPUT
- ⊖: AT 13 WATTS OUTPUT
- ⊖: D.C. VOLTAGE
- V: NO SIGNAL INPUT
- ⊖: AT 13 WATTS OUTPUT
- ⊖: INPUT VOLTAGE TO ACQUIRED
- ⊖: 13 WATTS OUTPUT AT 1kHz (R.M.S)

SX-440 for NBW model

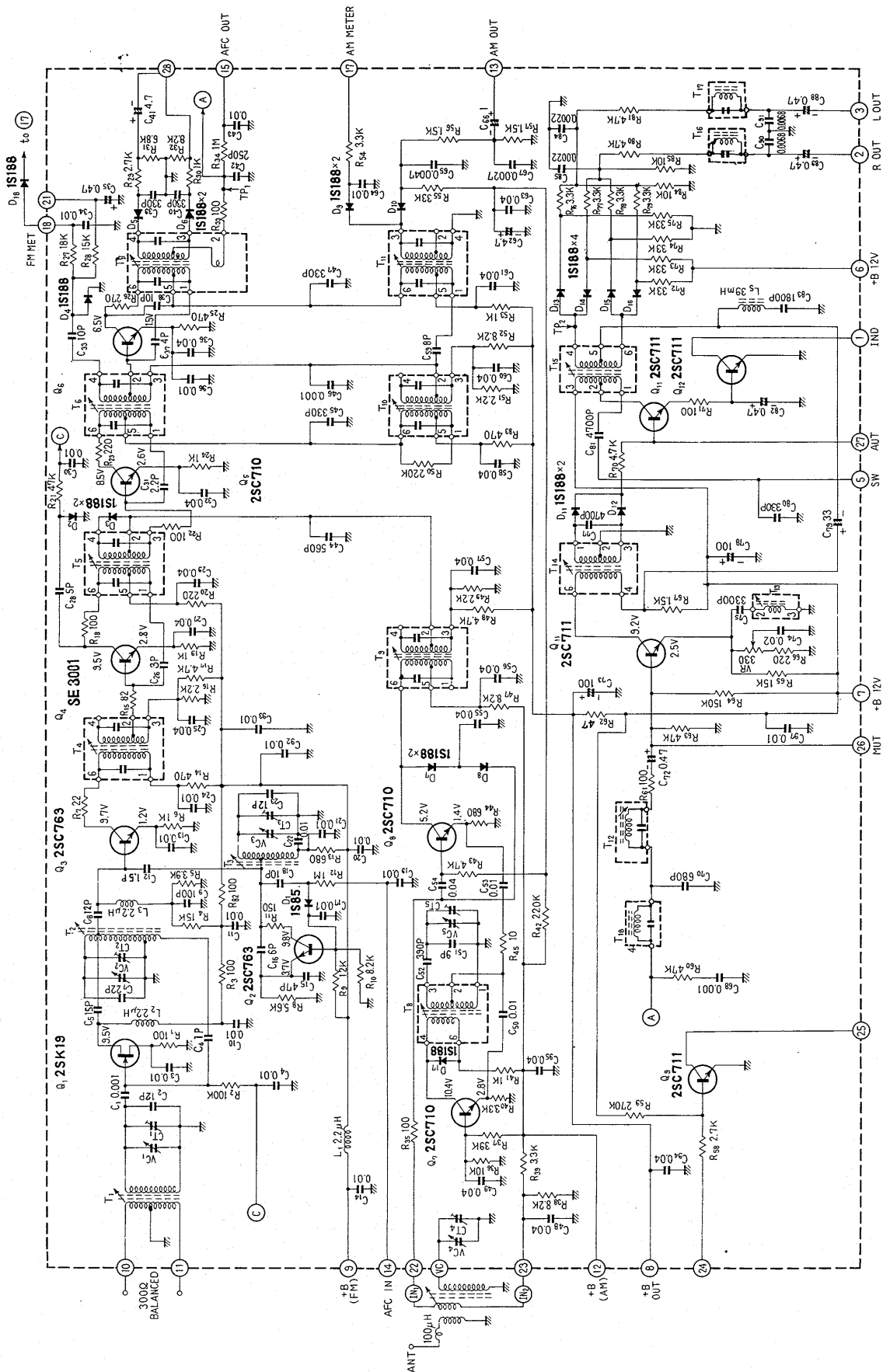
SX-440



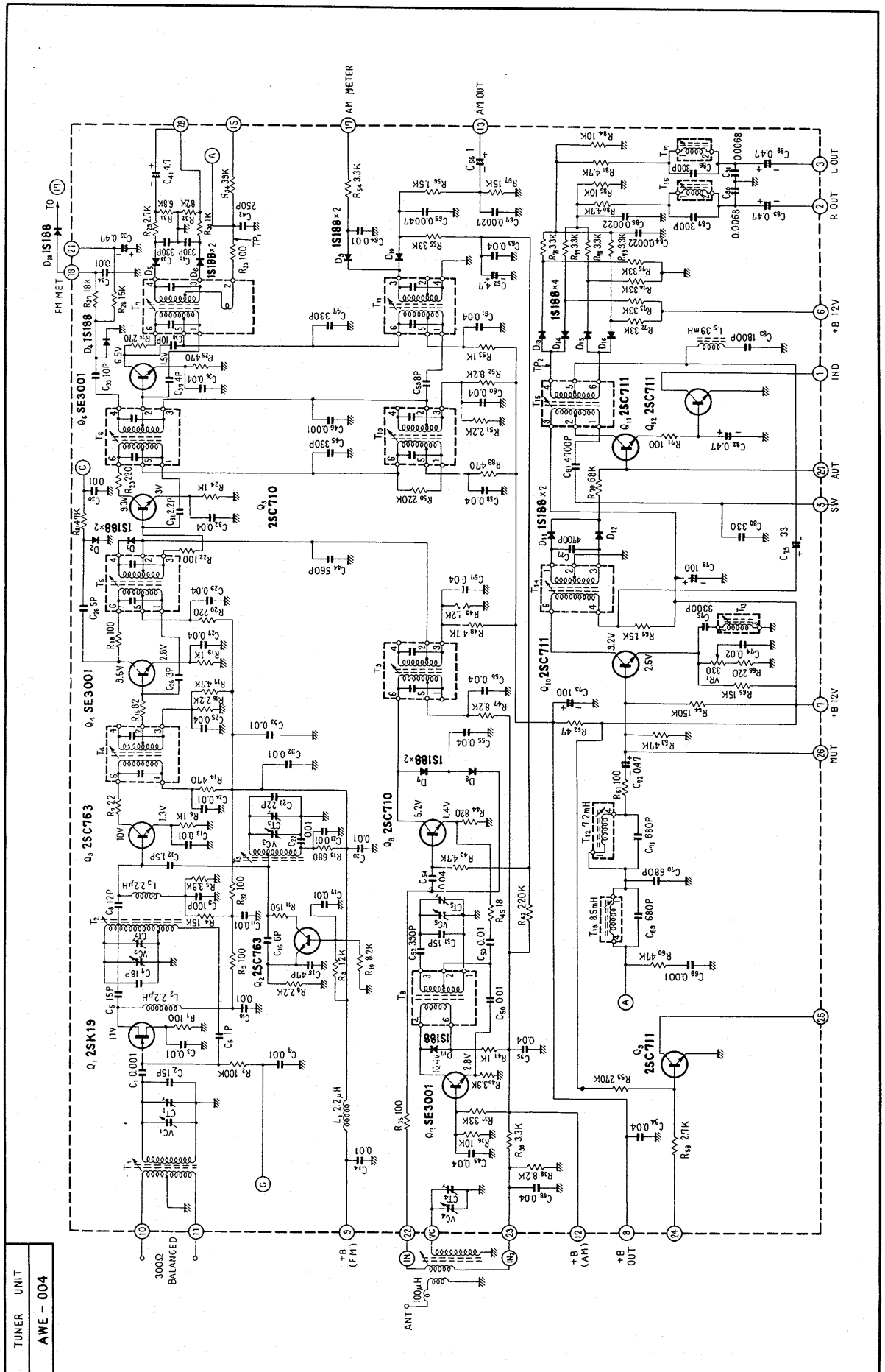
- S1 INPUT SELECTOR**
- 1 AM MONO
 - 2 FM MONO
 - 3 FM STEREO
 - 4 PHONO
 - 5 AUX
- S2 POWER** ON ← OFF
- S3 SPEAKER** ① ON ② OFF
- S4 TAPE MONITOR** ① ON ② OFF
- S5 LOUDNESS** ① ON ② OFF
- S6 MODE** ① MONO ② STEREO
- S7 SPEAKER** ① A ② B
- ← D.C. CURRENT
- A NO SIGNAL INPUT
- AT 13 WATTS OUTPUT
- D.C. VOLTAGE
- V NO SIGNAL INPUT
- AT 13 WATTS OUTPUT
- INPUT VOLTAGE TO ACQUIRED
- 13 WATTS OUTPUT AT 1KHZ (R.M.S.)

TUNER UNIT

TUNER UNIT
W35-027



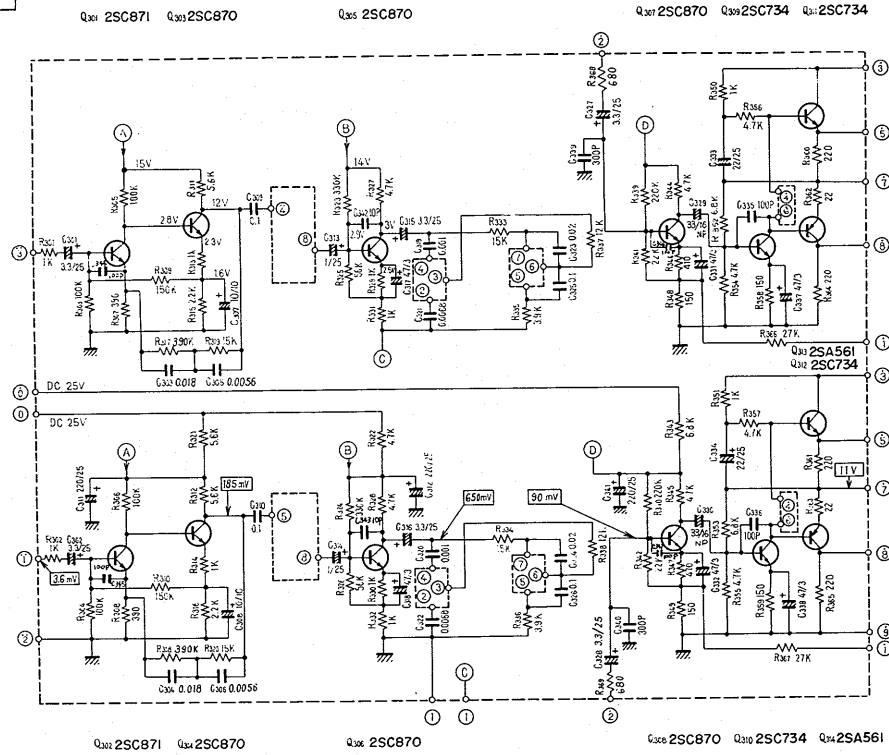
TUNER UNIT for FVZW model



TUNER UNIT
AWE - 004

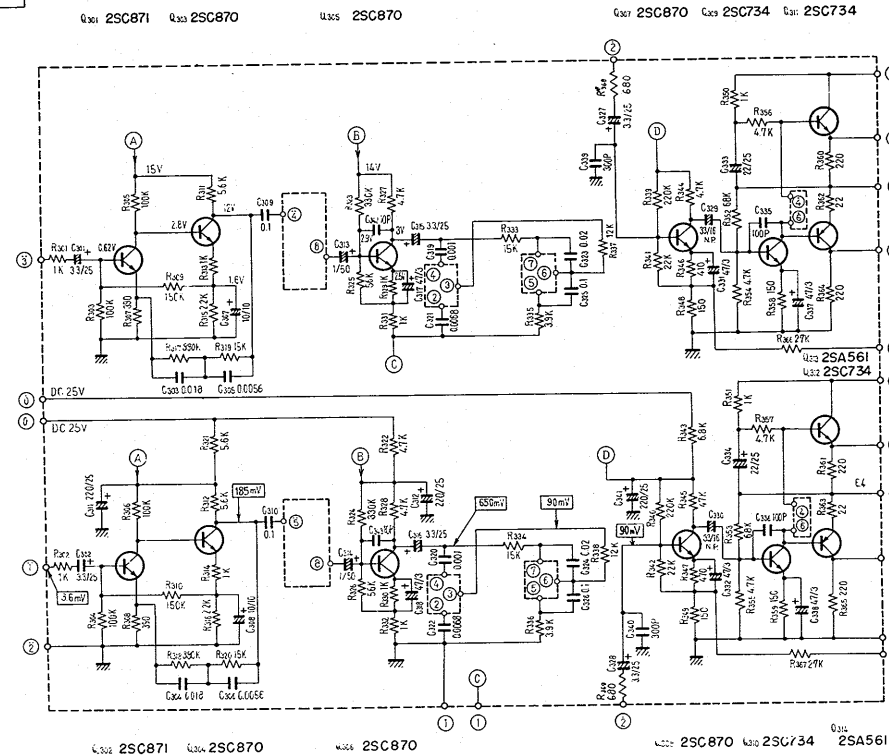
AUDIO UNIT

AUDIO UNIT
W15-073

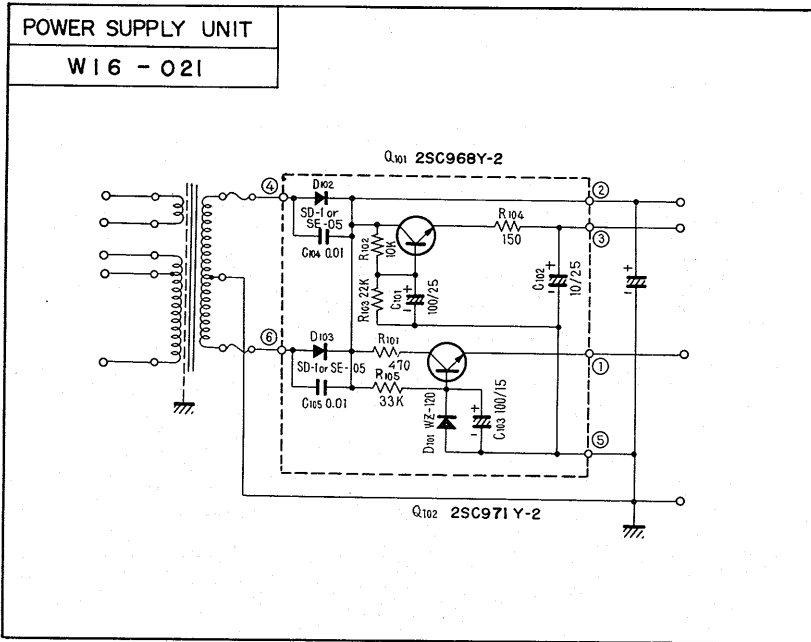


AUDIO UNIT for FBW model

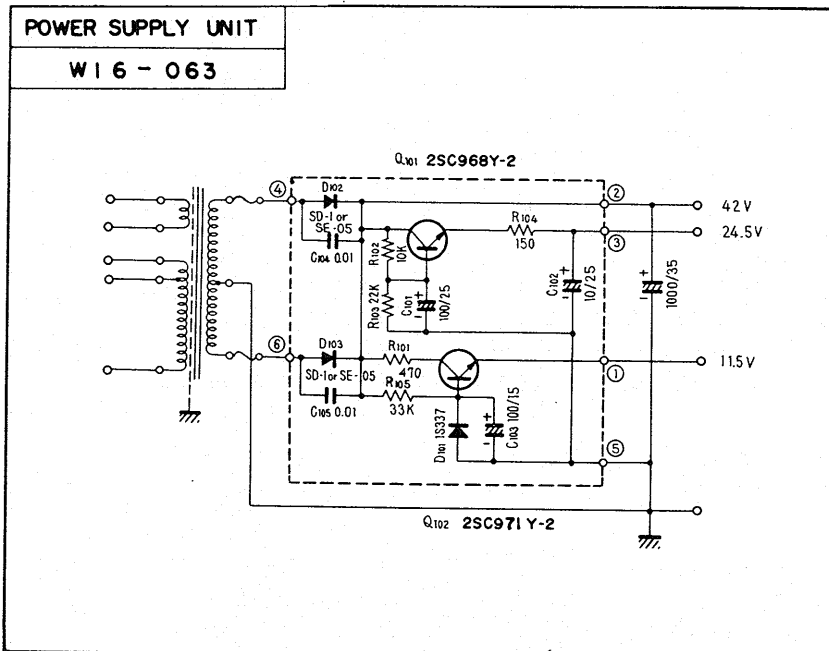
AUDIO UNIT
W36-011



POWER SUPPLY UNIT



POWER SUPPLY UNIT for NBW model



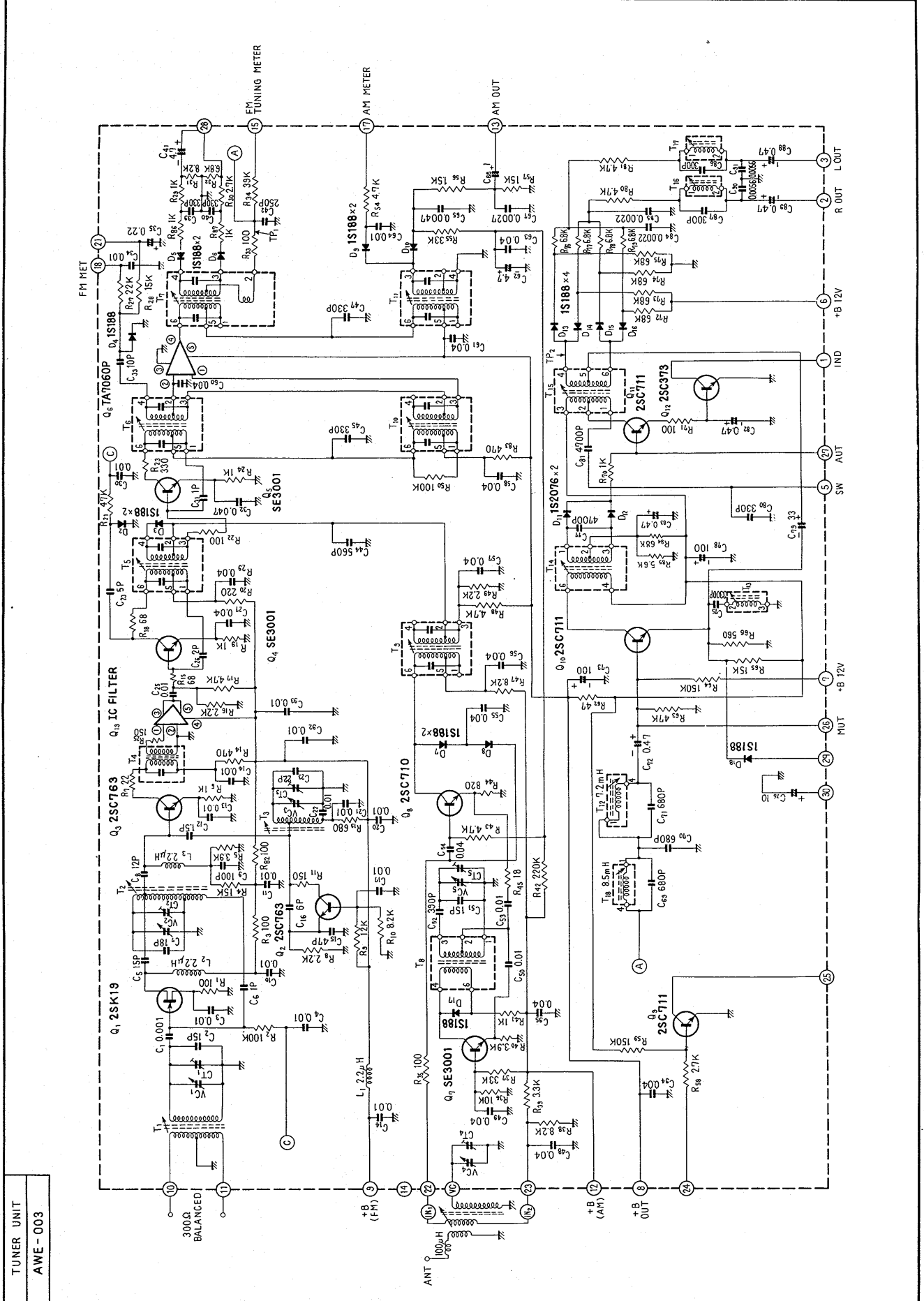
AM/FM STEREO RECEIVER

SX-525

UNIT \ ROUND LABEL	FVZW	KW				
TUNER UNIT	AWE-003	AWE-003				
FM FRONT END						
FM IF UNIT						
MPX UNIT						
AM TUNER UNIT						
MUTING UNIT						
HEAD AMP UNIT	AWF-003	AWF-003				
CONTROL AMP UNIT	AWG-011	AWG-011				
MAIN AMP UNIT	AWH-006	AWH-006				
POWER SUPPLY UNIT	AWR-007	AWR-007				
SWITCH UNIT	AWS-015	AWS-015				
LAMP UNIT	AWX-010	AWX-010				
CR UNIT	AWX-013	AWX-012				
TONE COLOR UNIT						
CONTROL UNIT						
MIC AMP UNIT						
REVERBE AMP UNIT						
REVERBE UNIT						

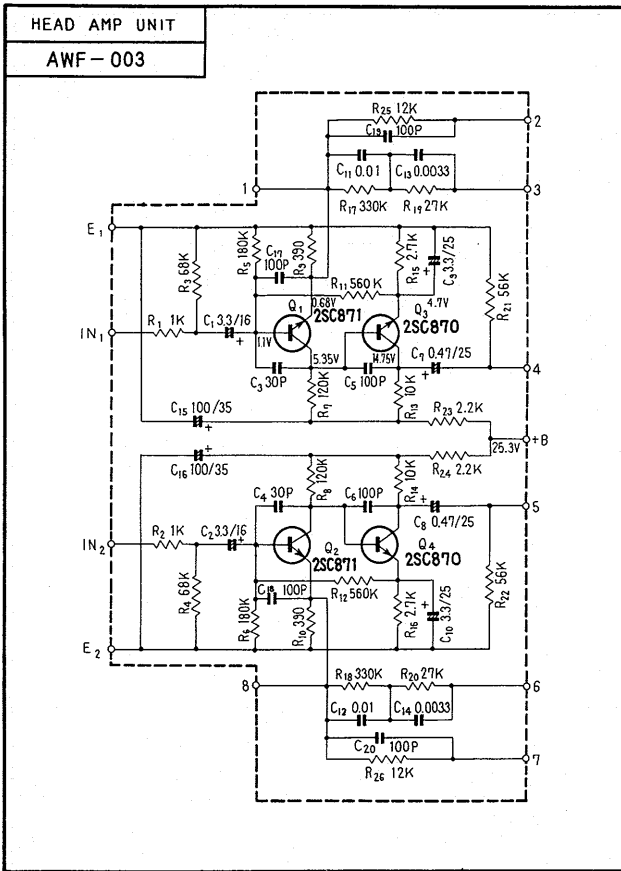


TUNER UNIT

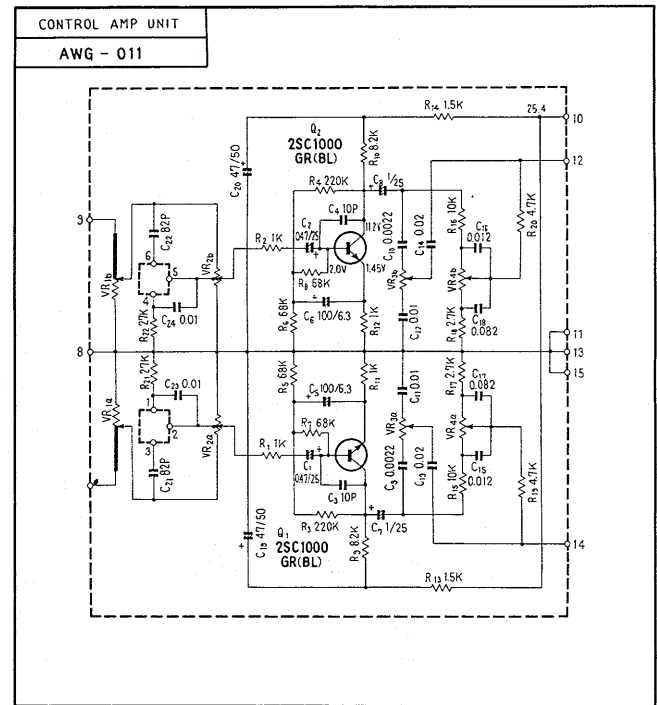


TUNER UNIT
AWE-003

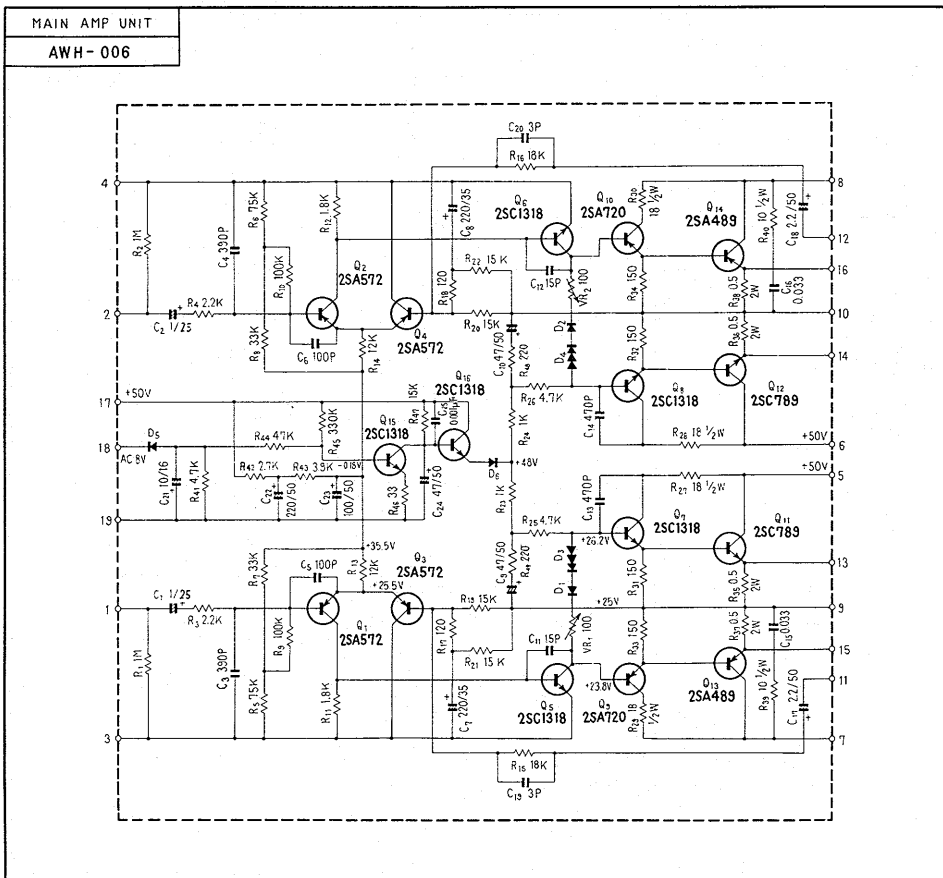
HEAD AMP UNIT



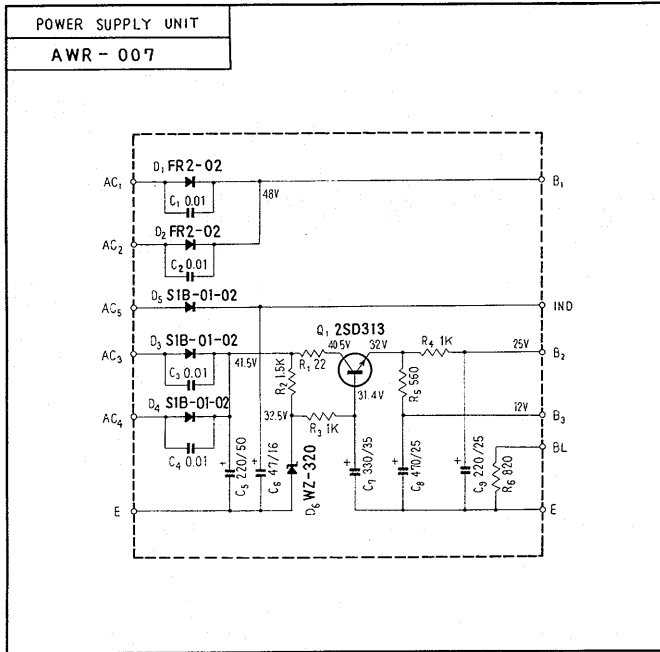
CONTROL AMP UNIT



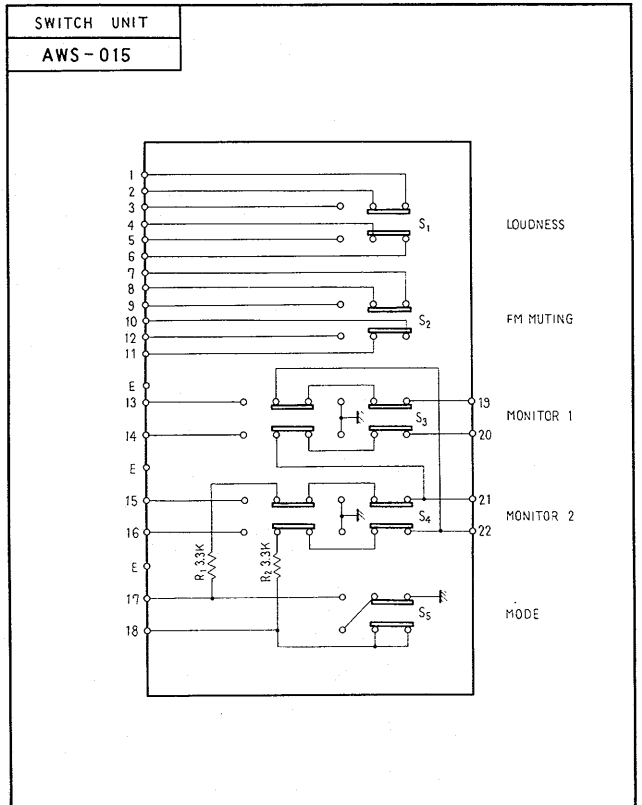
MAIN AMP UNIT



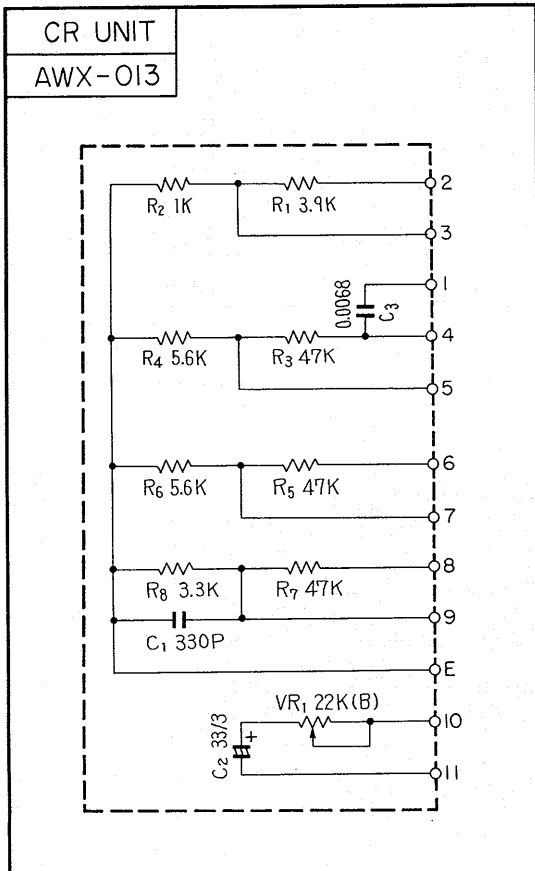
POWER SUPPLY UNIT



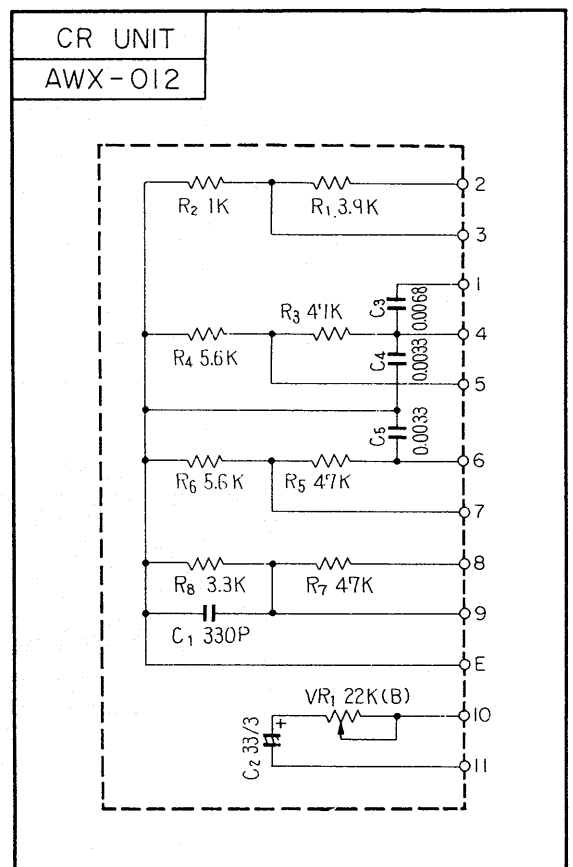
SWITCH UNIT



CR UNIT



CR UNIT for KW model



AM/FM STEREO RECEIVER

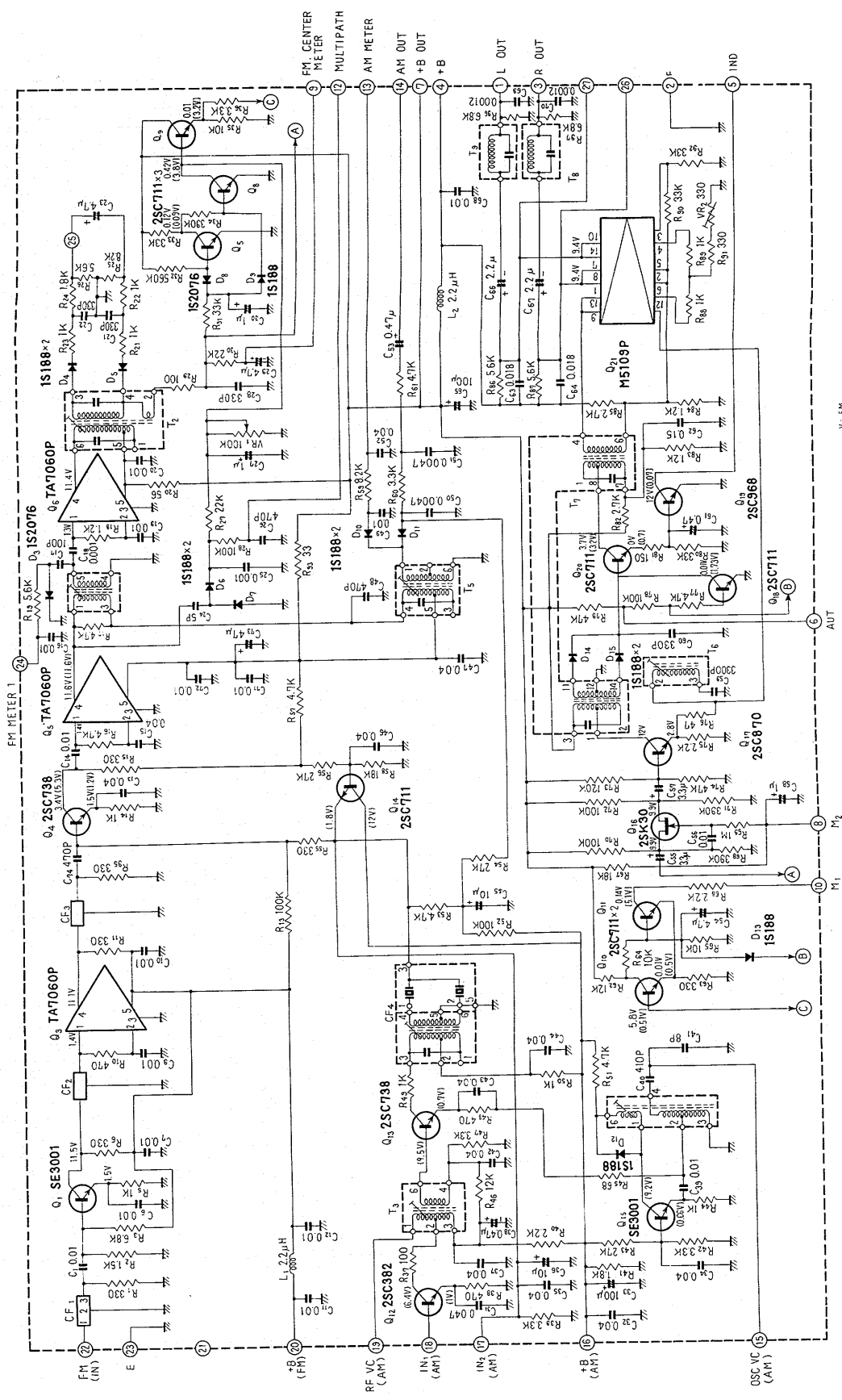
SX-626

UNIT \ ROUND LABEL	FVZW	KW				
FM FRONT END	AWB-009	AWB-008				
FM/AM TUNER UNIT	AWE-011	AWE-011				
MPX UNIT						
AM TUNER UNIT						
MUTING UNIT						
HEAD AMP UNIT	W21-004	W21-004				
CONTROL AMP UNIT	AWG-008	AWG-008				
MAIN AMP UNIT	AWH-002	AWH-002				
POWER SUPPLY UNIT	AWR-006	AWR-006				
SWITCH UNIT	AWS-013	AWS-013				
SWITCH UNIT	AWS-014	AWS-014				
R UNIT	AWX-007	AWX-007				
TONE COLOR UNIT						
CONTROL UNIT						
MIC AMP UNIT						
REVERBE AMP UNIT						
REVERBE UNIT						



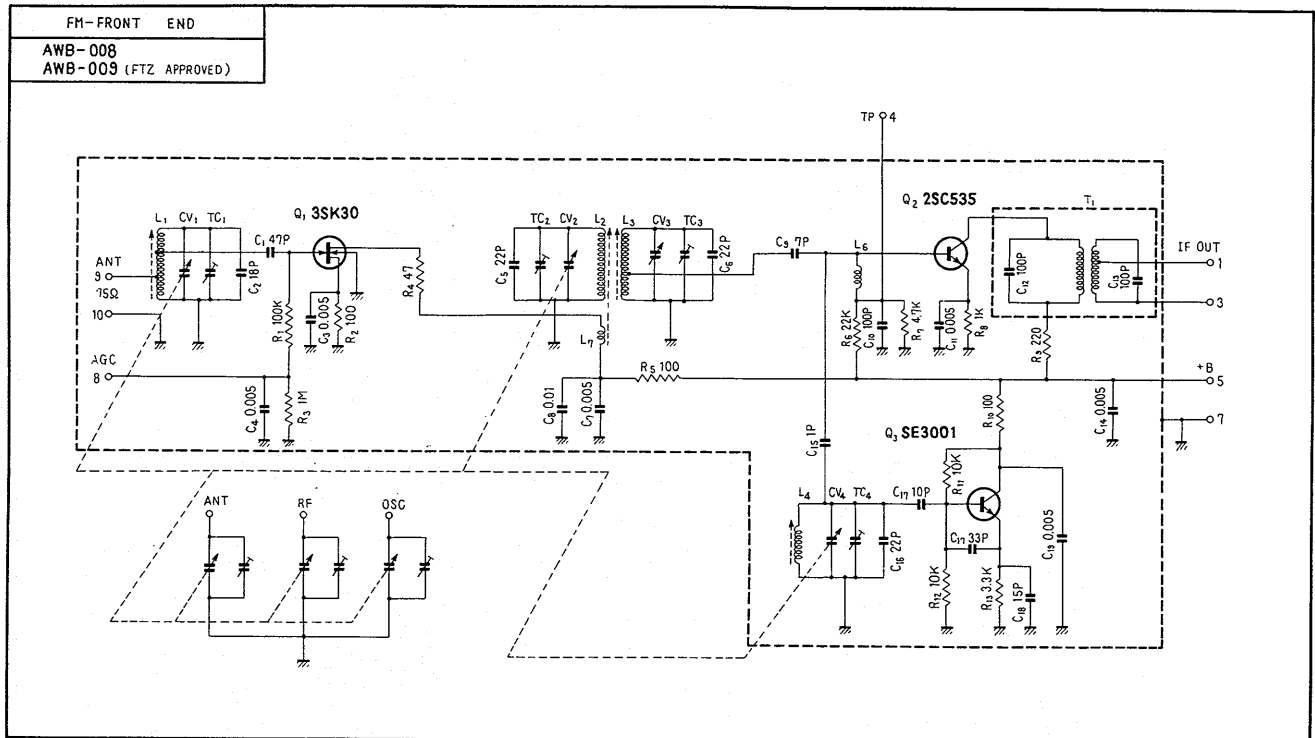
FM/AM TUNER UNIT

FM/AM TUNER UNIT
AWE - 011

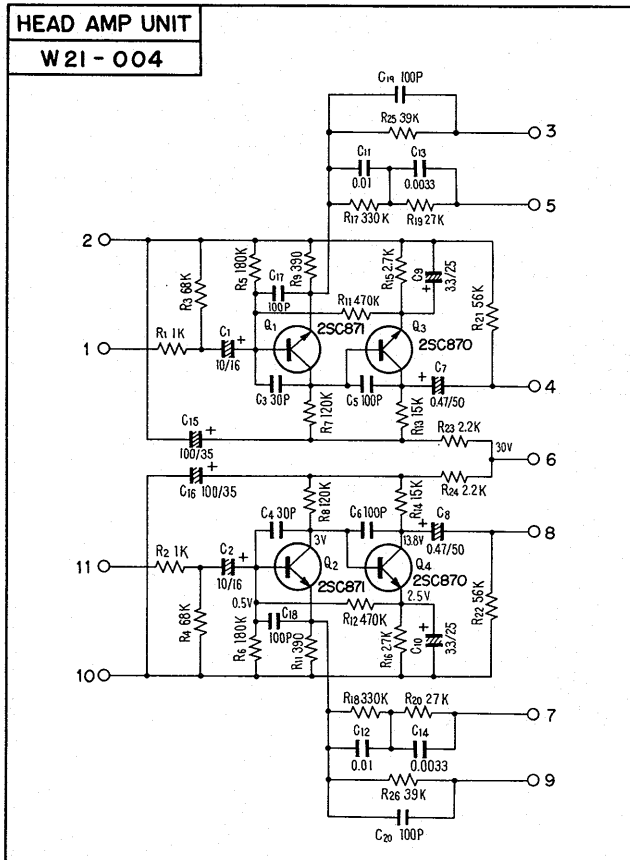


V: FM
(V): AM
(V): FM STEREO

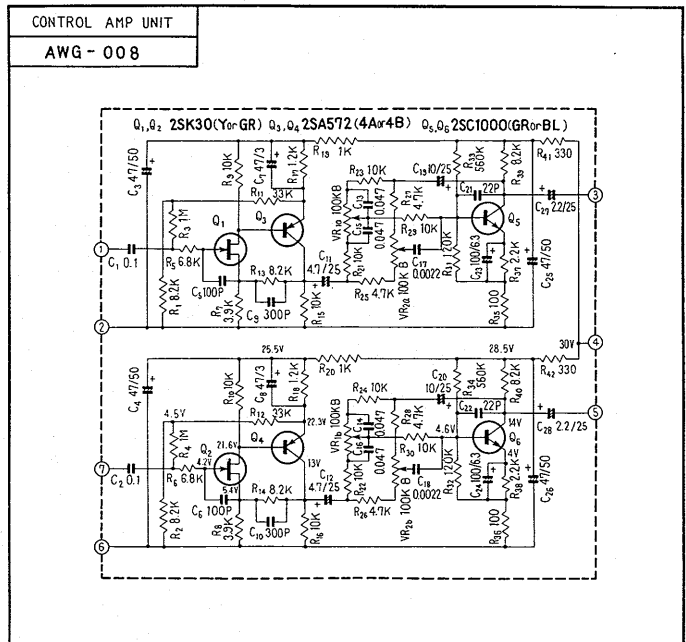
FM FRONT END



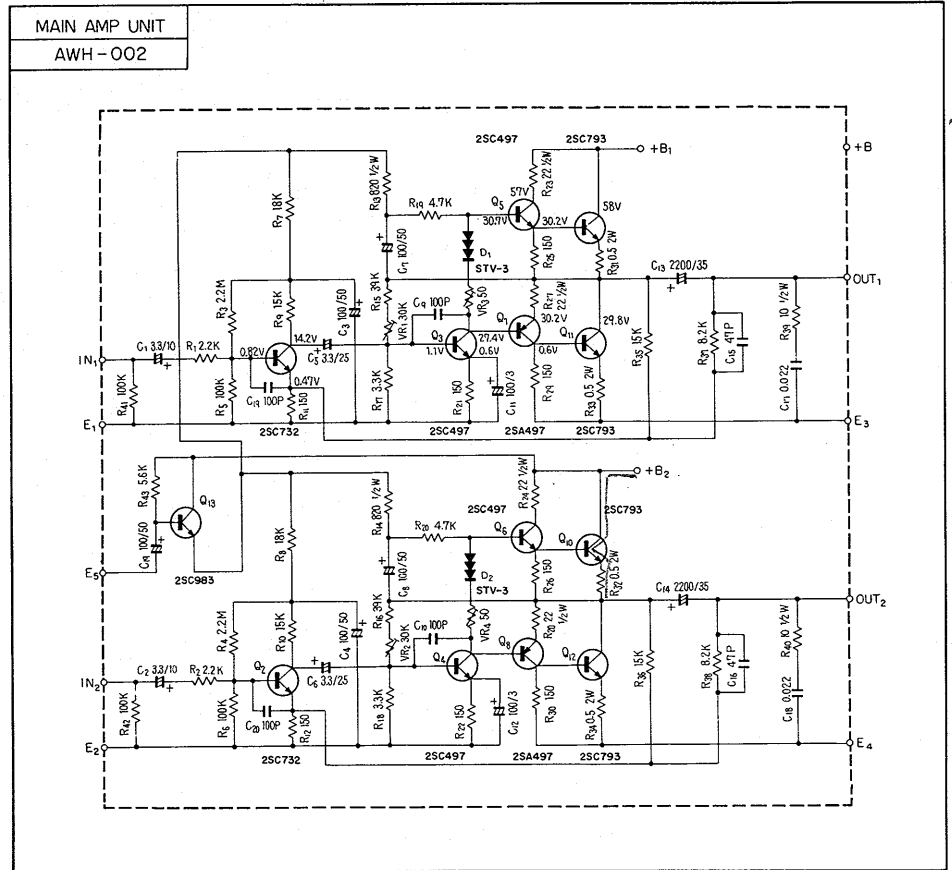
HEAD AMP UNIT



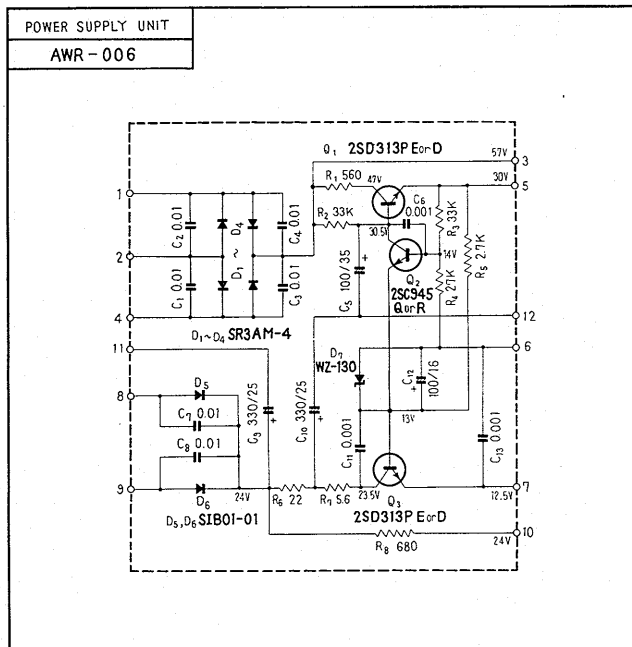
CONTROL AMP UNIT



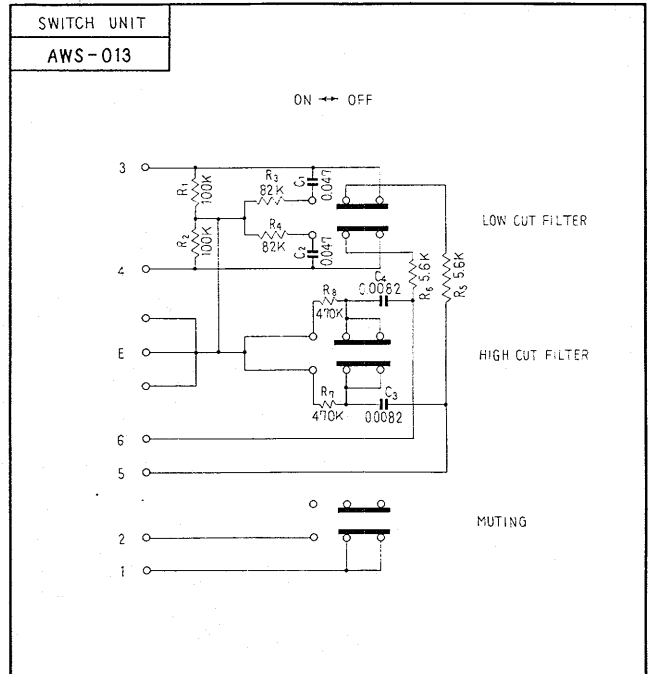
MAIN AMP UNIT



POWER SUPPLY UNIT

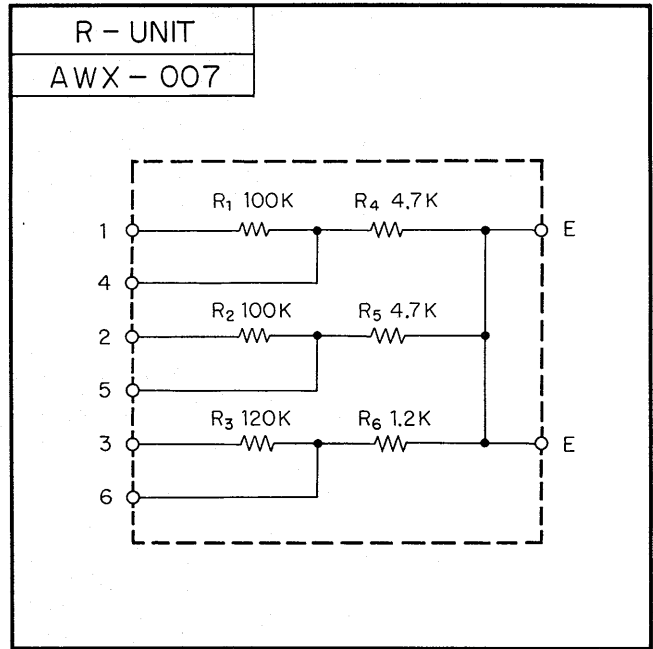
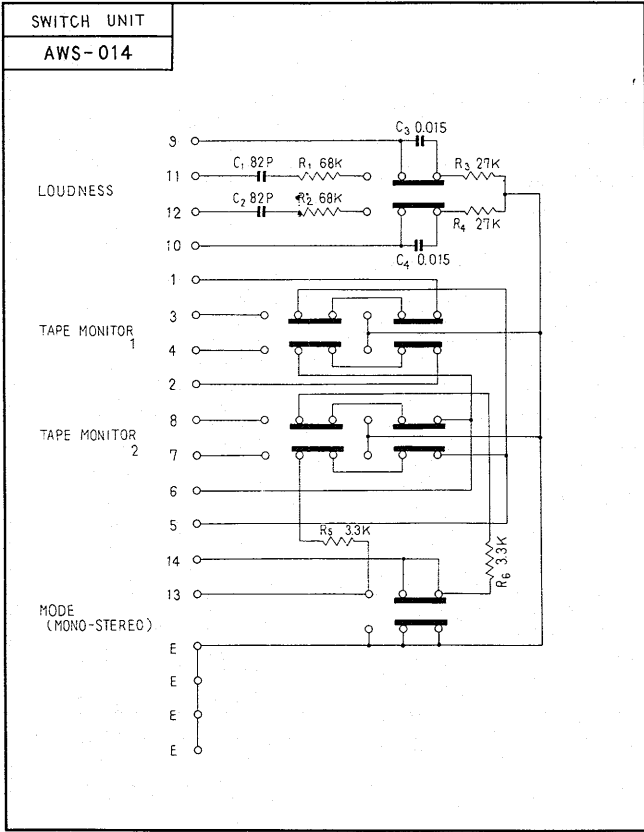


SWITCH UNIT



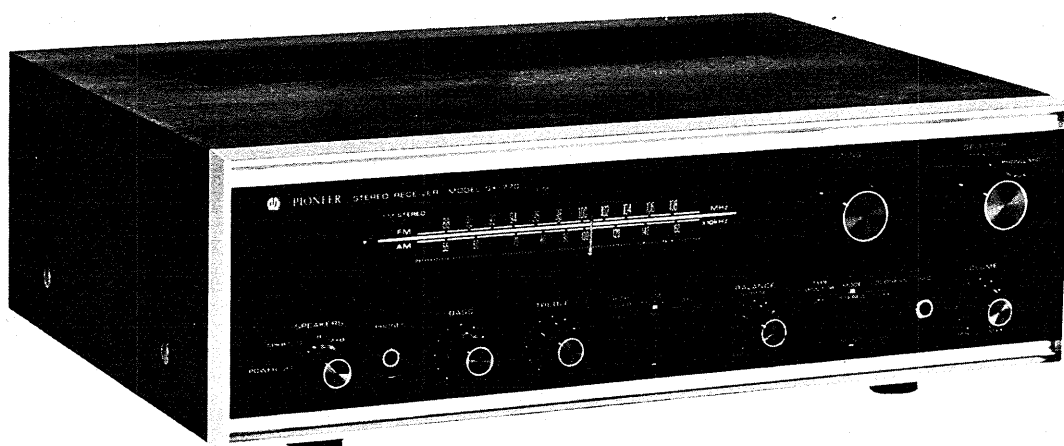
SWITCH UNIT

R UNIT

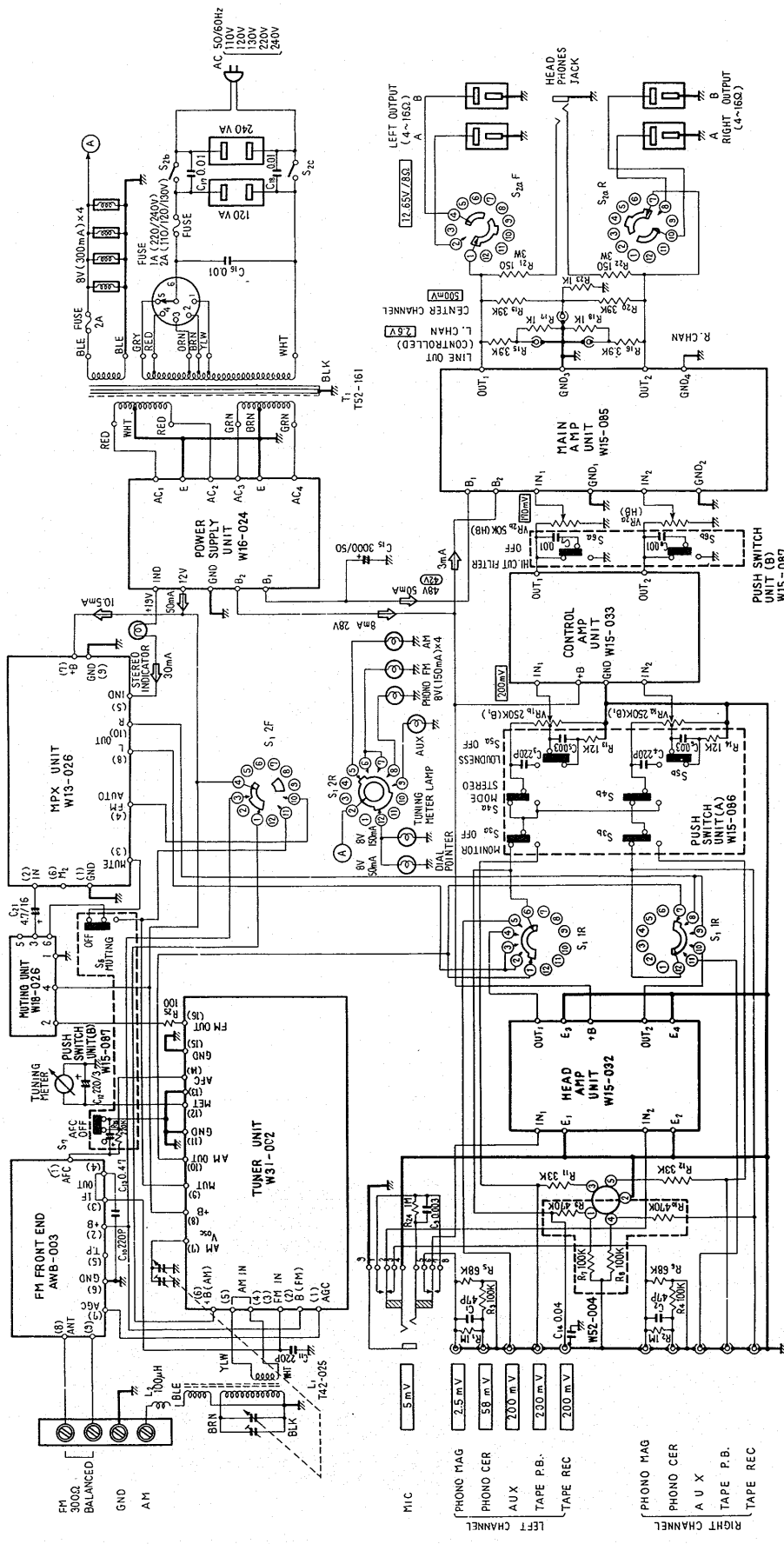


AM/FM STEREO RECEIVER SX-770

UNIT \ ROUND LABEL	FVZW	NBW	KCLW	FVW		
TUNER UNIT						
FM FRONT END	AWB-003	W11-035	W11-035	W11-035		
TUNER UNIT	W31-002	W31-002	W31-002	W31-002		
MPX UNIT	W13-026	W13-026	W13-026	W13-026		
AM TUNER UNIT						
MUTING UNIT	W18-026	W18-026	W18-026	W18-026		
HEAD AMP UNIT	W15-032	W15-032	W15-032	W15-032		
CONTROL AMP UNIT	W15-033	W15-033	W15-033	W15-033		
MAIN AMP UNIT	W15-085	W23-005	W15-085	W15-085		
POWER SUPPLY UNIT	W16-024	W16-064	W16-024	W16-024		
SWITCH UNIT (A)	W15-086	W15-086	W15-086	W15-086		
SWITCH UNIT (B)	W15-087	W15-087	W15-087	W15-087		
SWITCH UNIT						
TONE COLOR UNIT						
CONTROL UNIT						
MIC AMP UNIT						
REVERBE AMP UNIT						
REVERBE UNIT						

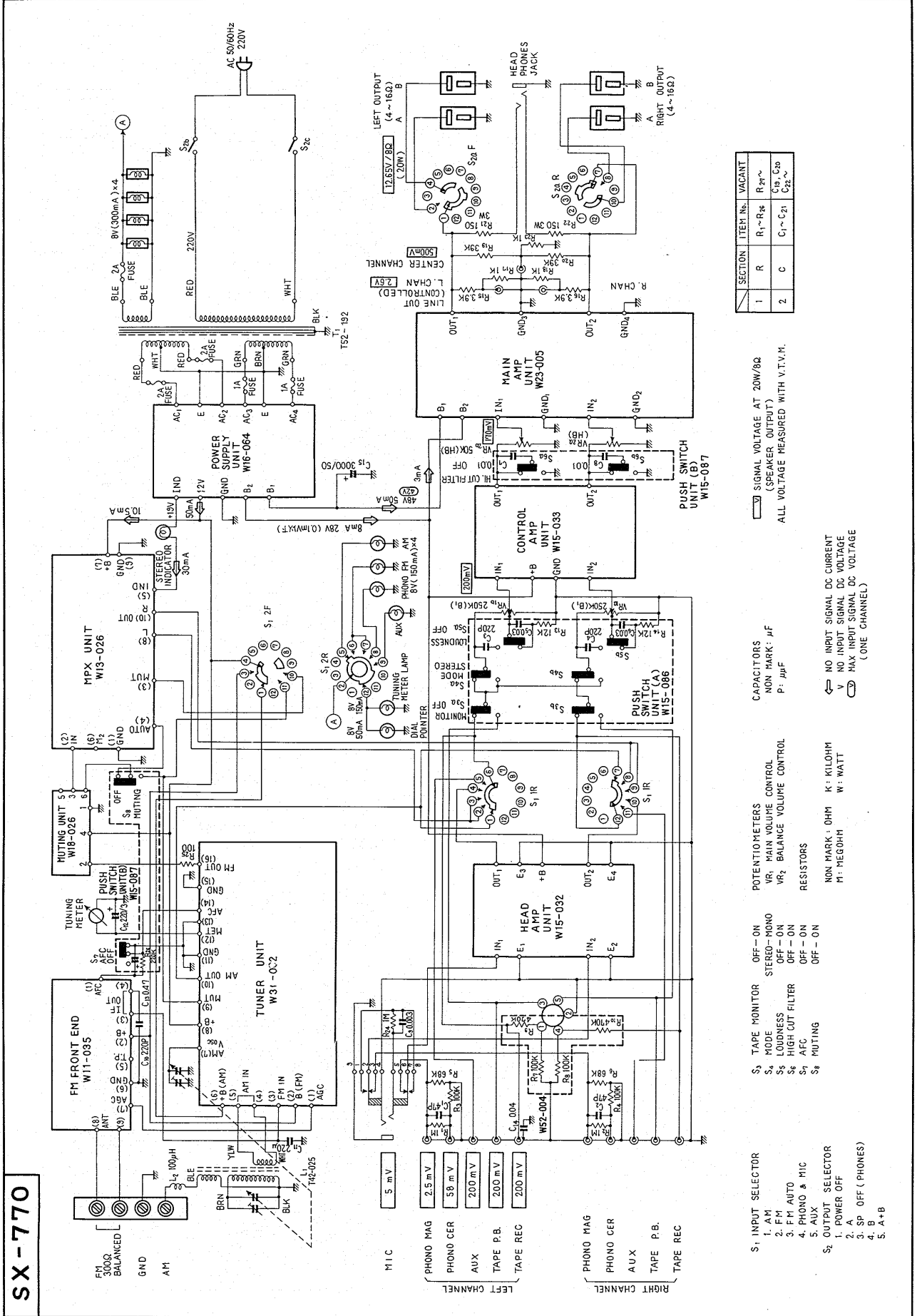


SX-770



- SWITCHES**
 S₁ INPUT SELECTOR
 1. AM
 2. FM
 3. FM AUTO
 4. PHONO & MIC
 5. AUX.
 S₂ OUTPUT SELECTOR
 1. POWER OFF
 2. SP OFF (PHONES)
 3. SP OFF (PHONES)
 4. A • B
- POTENTIOMETERS**
 VR MAIN VOLUME CONTROL
 W₂ BALANCE VOLUME CONTROL
- RESISTORS**
 M : MEGOHM
 K : KILOHM
 W : WATT
- PUSH SWITCH UNIT (A) W15-086**
 S₃ TAPE MONITOR OFF → ON
 S₄ MODE STEREO → MONO
 S₅ LOUDNESS OFF → ON
 S₆ HIGH CUT FILTER OFF → ON
 S₇ AFC OFF → ON
 S₈ MUTING OFF → ON
- PUSH SWITCH UNIT (B) W15-087**
 S₁ IR
 S₂ IR
 S₃ IR
 S₄ IR
 S₅ IR
 S₆ IR
 S₇ IR
 S₈ IR
- CAPACITORS**
 NON MARK : μF
 P : pF
- SIGNAL VOLTAGE AT 20M/8Ω (SPEAKER OUTPUT)**
 ALL VOLTAGE MEASURED WITH V.T.V.M.
- DC CURRENT AT NO INPUT SIGNAL**
V : DC VOLTAGE AT NO INPUT SIGNAL
← : DC VOLTAGE AT MAX INPUT SIGNAL (ONE CHANNEL)

SX-770 for NBW model



SX-770

SECTION	ITEM No.	VACANT
1	R	R ₁ ~R ₈ C ₁ ~C ₂ C _{2E} ~
2	C	

□ SIGNAL VOLTAGE AT 20W/8Q (SPEAKER OUTPUT)
 ALL VOLTAGE MEASURED WITH V.T.V.M.

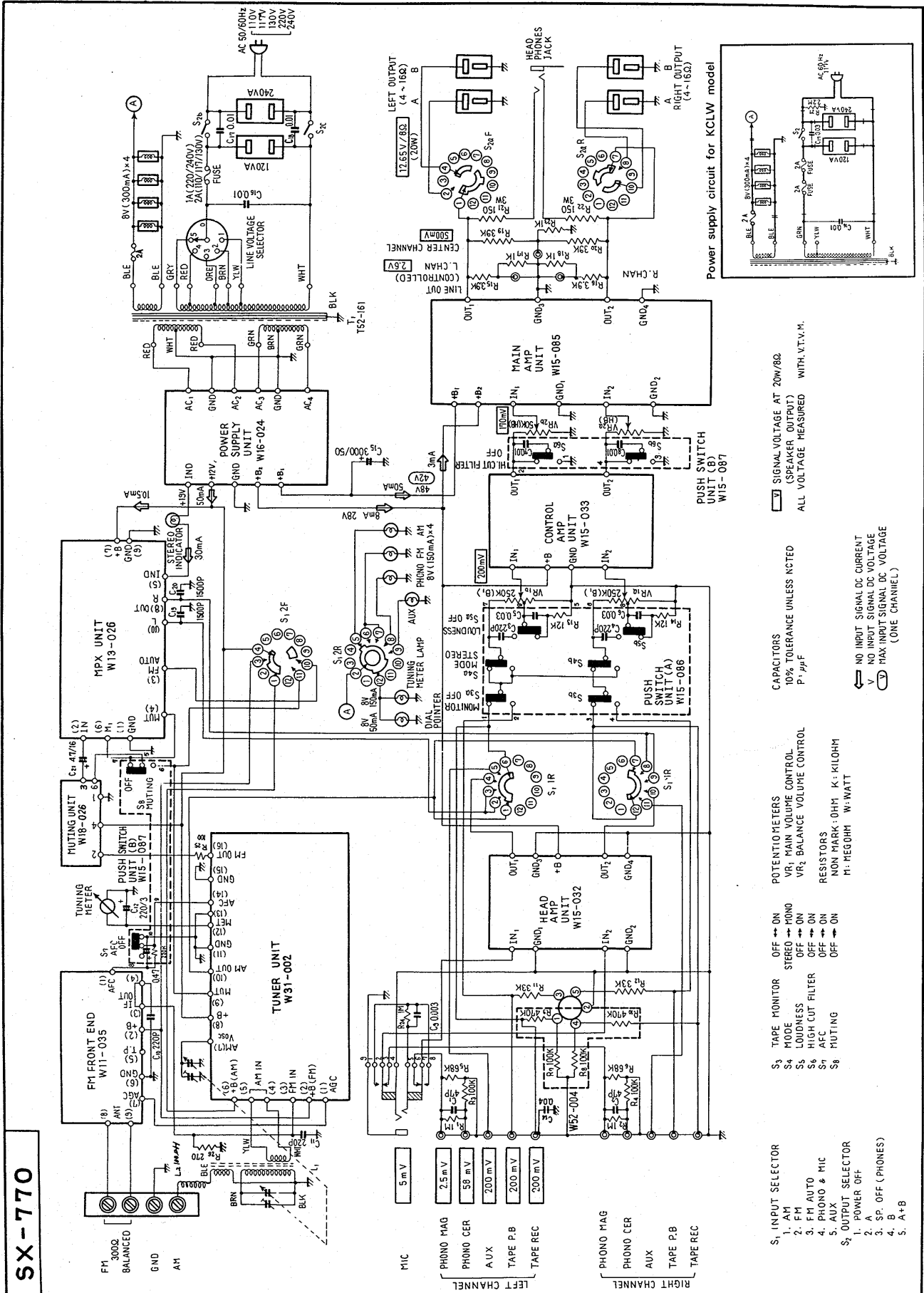
CAPACITORS
 NON MARK: μF
 P: μuF

POTENTIOMETERS
 VR₁ MAIN VOLUME CONTROL
 VR₂ BALANCE VOLUME CONTROL

RESISTORS
 NON MARK: OHM K: KILOHM
 W: WATT M: MEGOHM

S₁ INPUT SELECTOR
 1. AM
 2. FM
 3. FM AUTO
 4. PHONO & MIC
 5. AUX

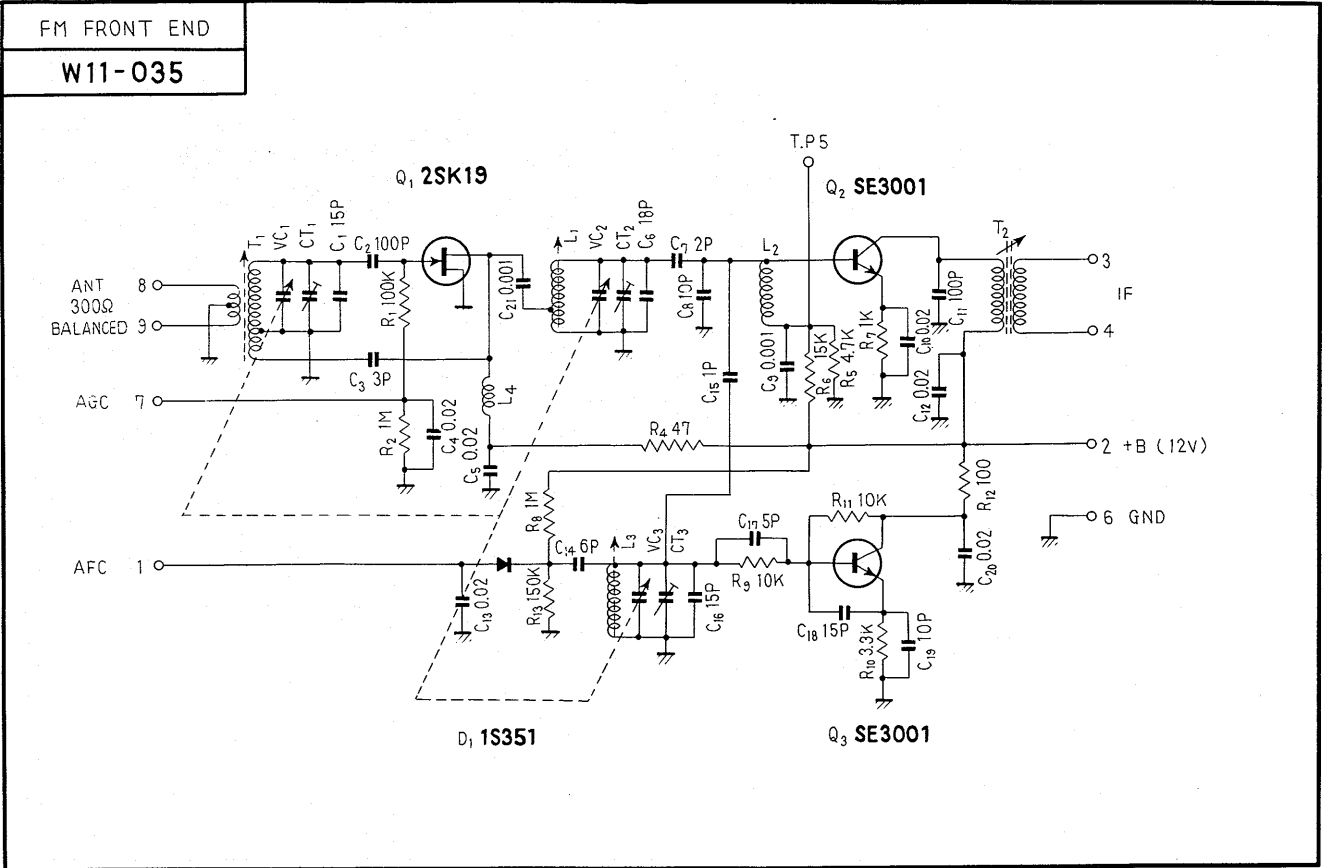
S₂ OUTPUT SELECTOR
 1. POWER OFF
 2. A
 3. SP OFF (PHONES)
 4. B
 5. A+B



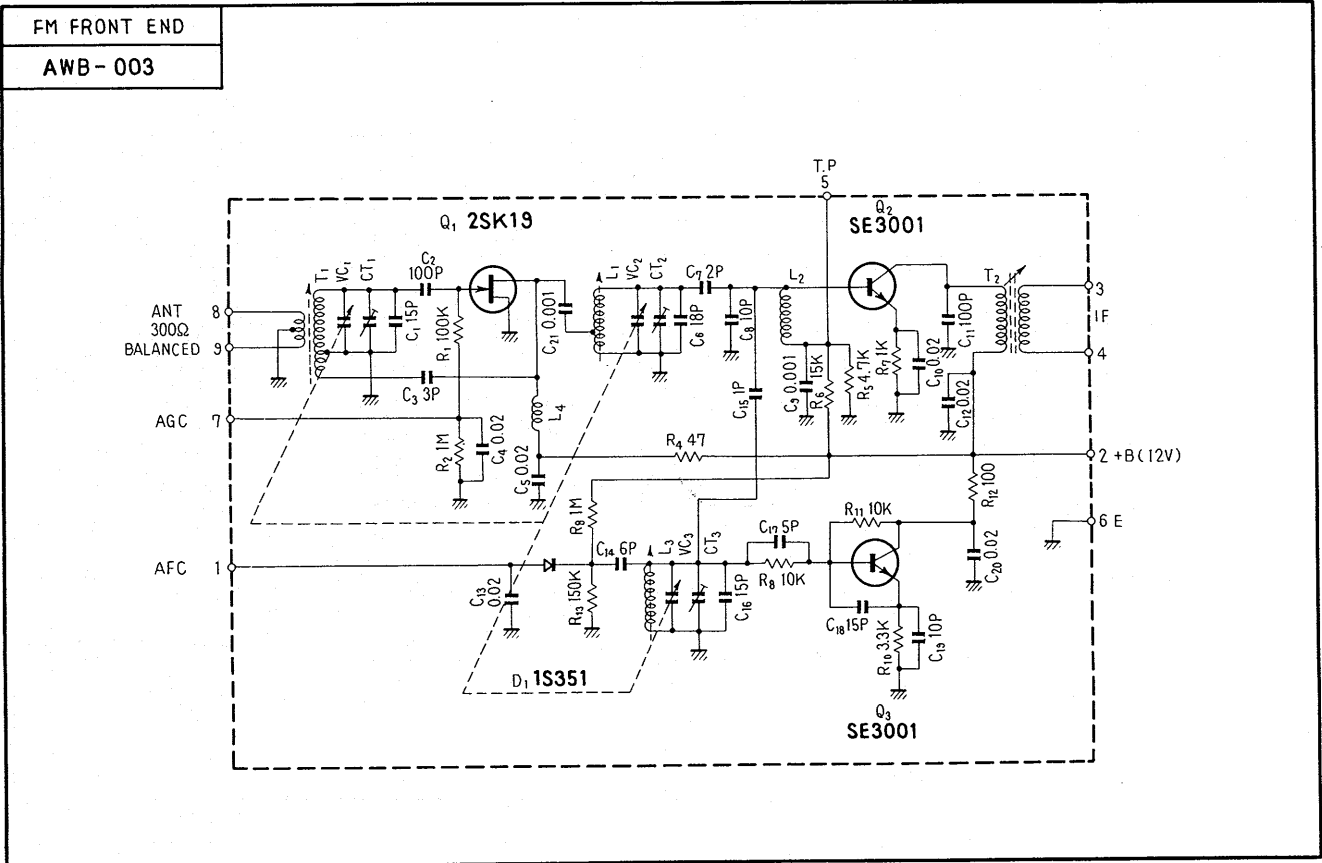
SX-770

- S₁ INPUT SELECTOR**
 1. AM
 2. FM
 3. FM AUTO
 4. PHONO & MIC
 5. AUX
S₂ OUTPUT SELECTOR
 1. POWER OFF
 2. A
 3. SP. OFF (PHONES)
 4. B
 5. A+B
- S₃ TAPE MONITOR** OFF ↔ ON
S₄ MODE STEREO ↔ MONO
S₅ LOUDNESS OFF ↔ ON
S₆ HIGH CUT FILTER OFF ↔ ON
S₇ AFC OFF ↔ ON
S₈ MUTING OFF ↔ ON
- POTENTIOMETERS**
 VR₁ MAIN VOLUME CONTROL
 VR₂ BALANCE VOLUME CONTROL
RESISTORS
 NON MARK. OHM K: KILOHM
 M: MEGOHM W: WATT
- CAPACITORS**
 10% TOLERANCE UNLESS NOTED
 P: P.P.F
- NO INPUT SIGNAL DC CURRENT**
V NO INPUT SIGNAL DC VOLTAGE
V MAX INPUT SIGNAL DC VOLTAGE
 (ONE CHANNEL)
- SIGNAL VOLTAGE AT 20W/8Ω
ALL VOLTAGE MEASURED WITH V.T.V.M.

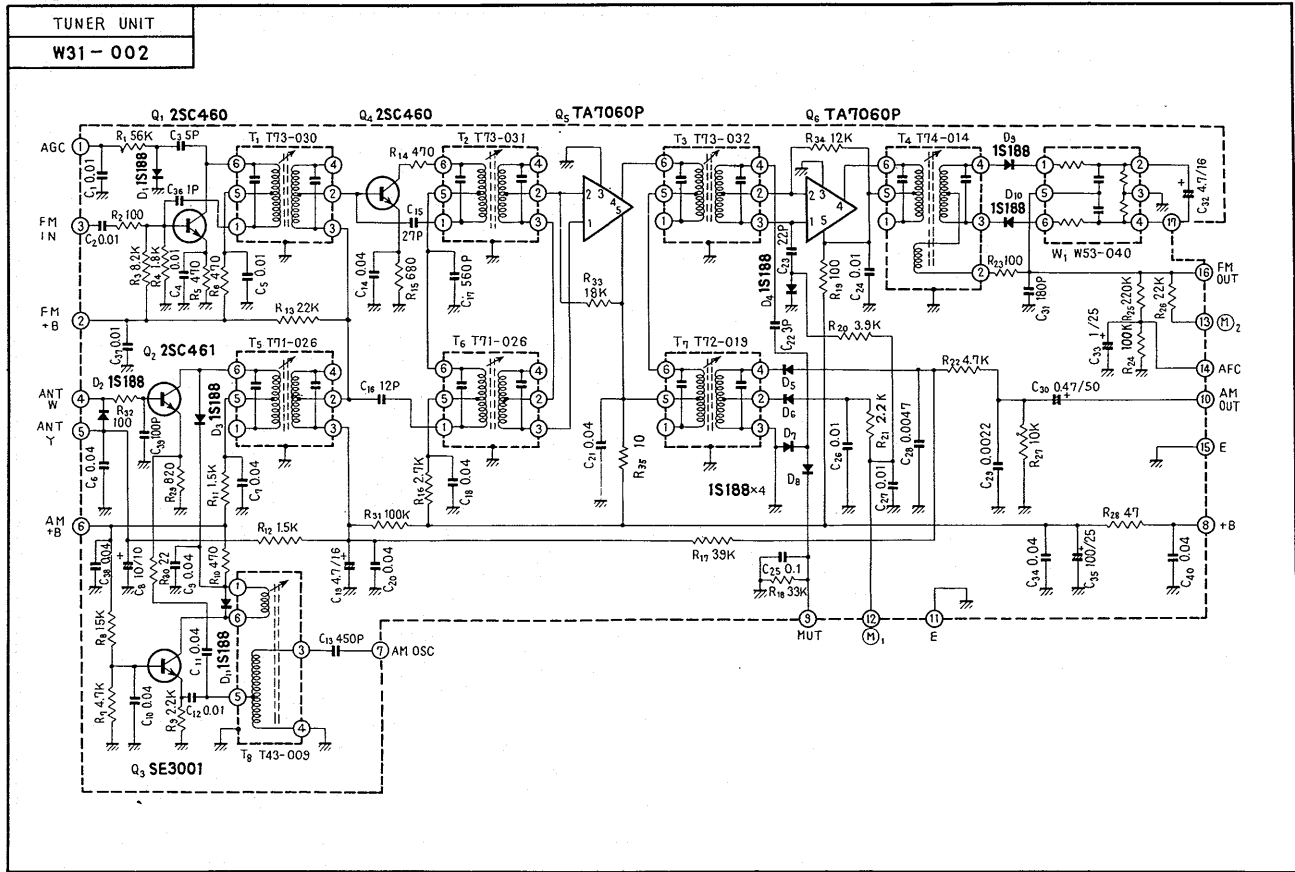
FM FRONT END



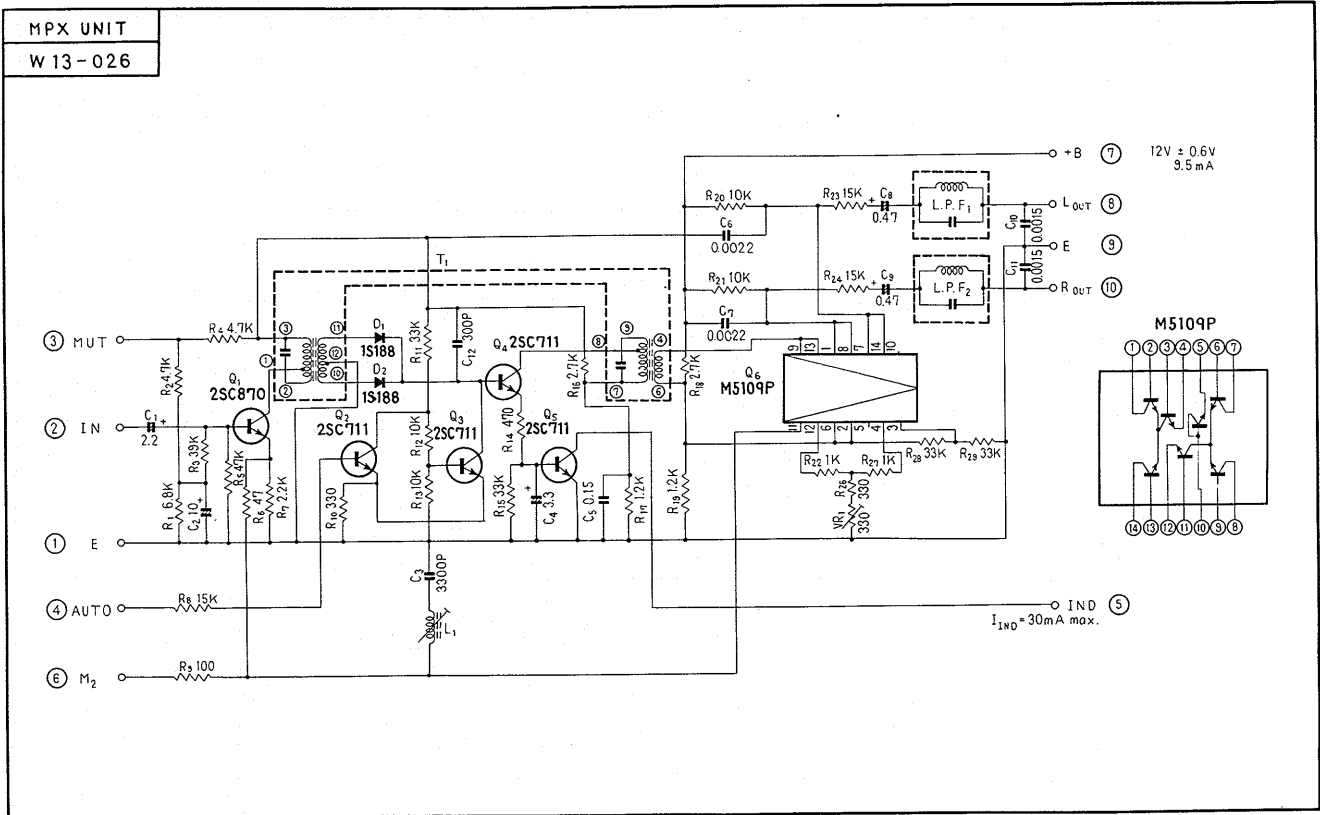
FM FRONT END for FVZW model



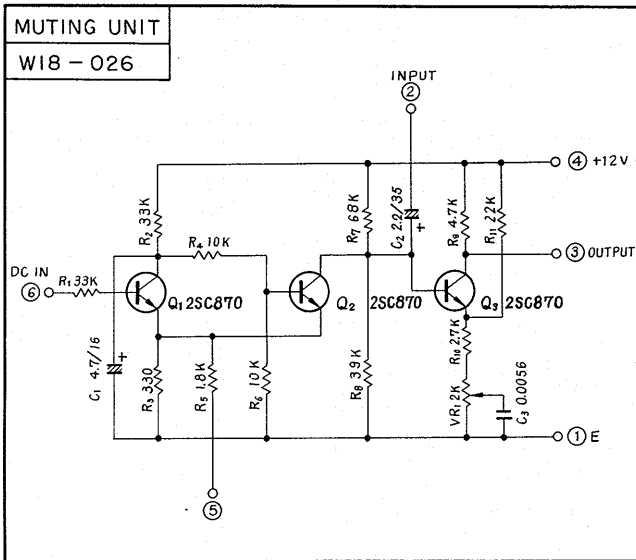
TUNER UNIT



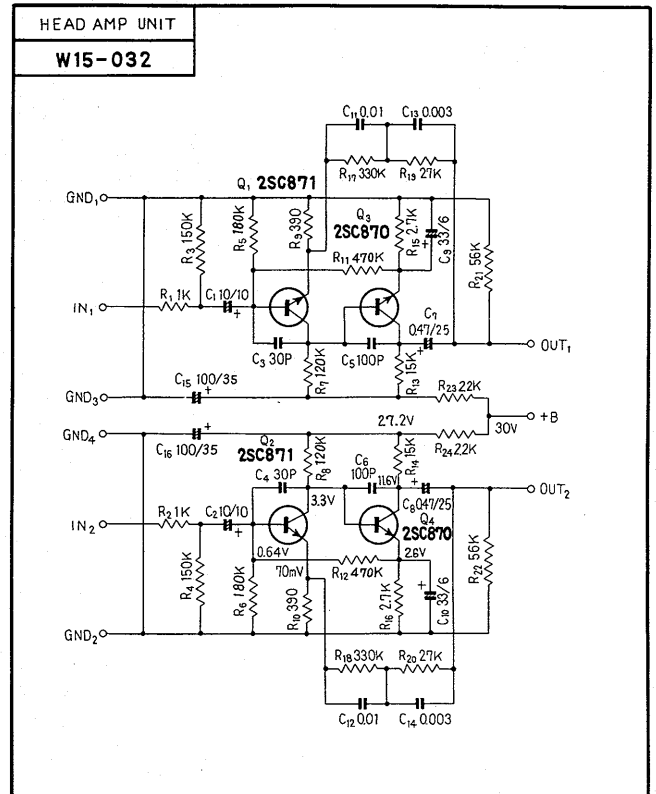
MPX UNIT



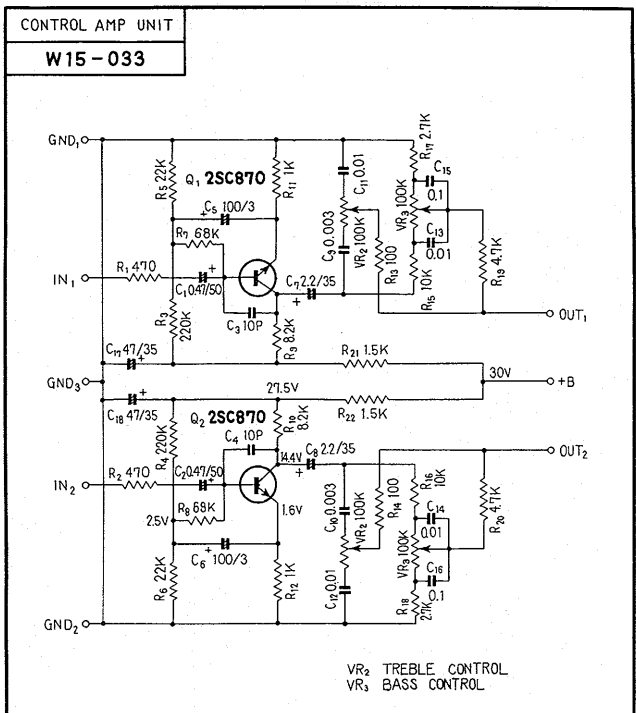
MUTING UNIT



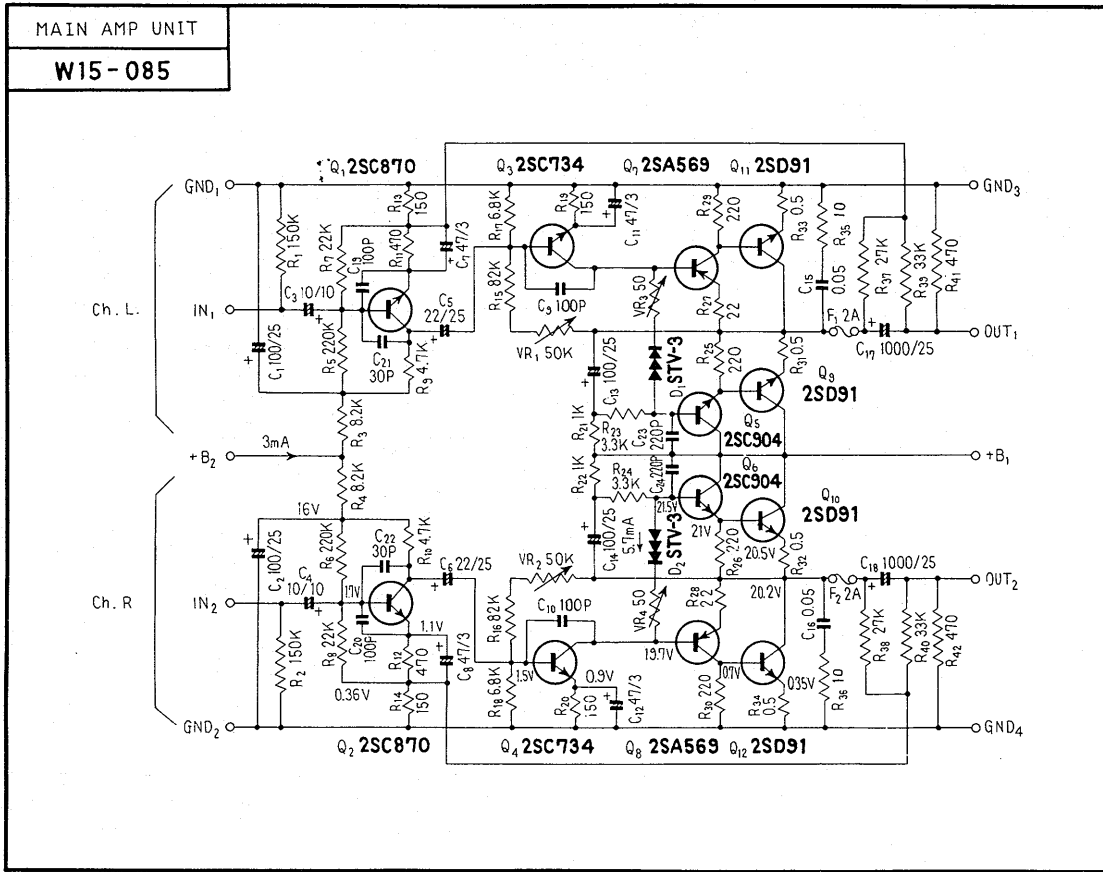
HEAD AMP UNIT



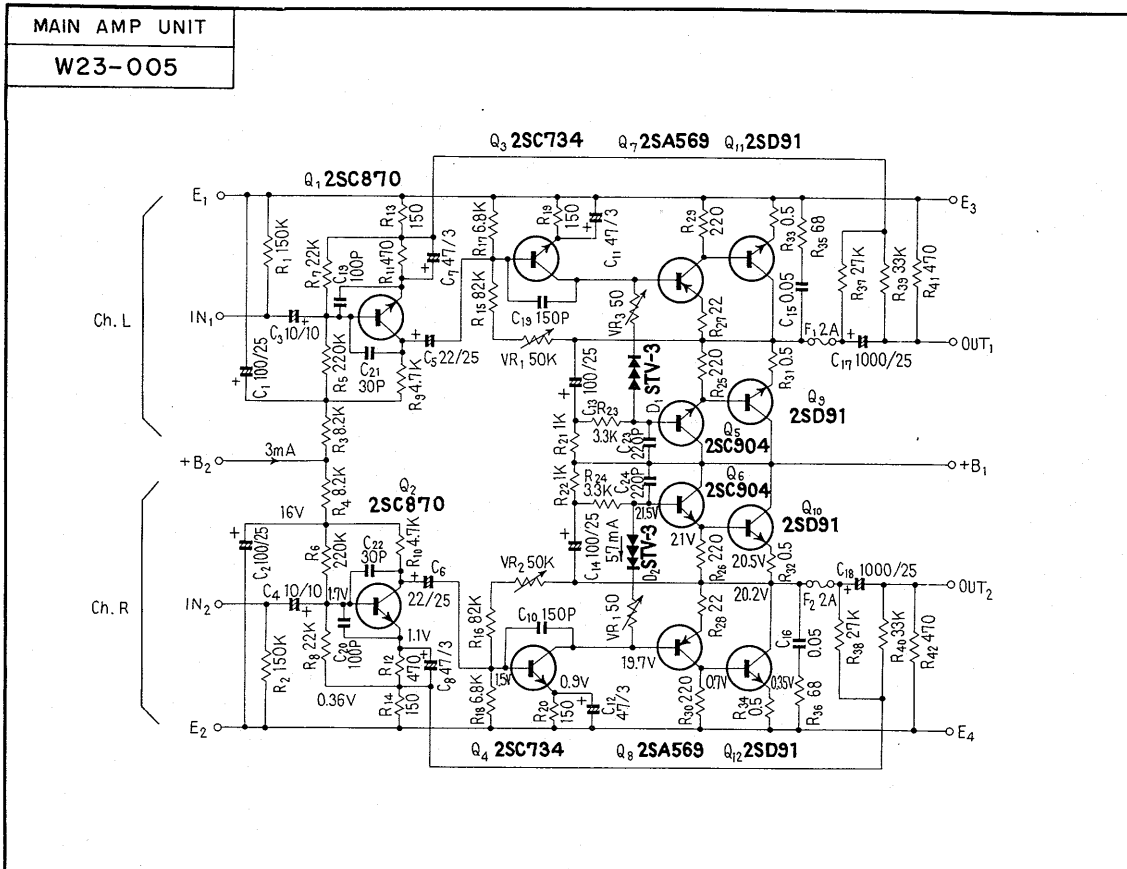
CONTROL AMP UNIT



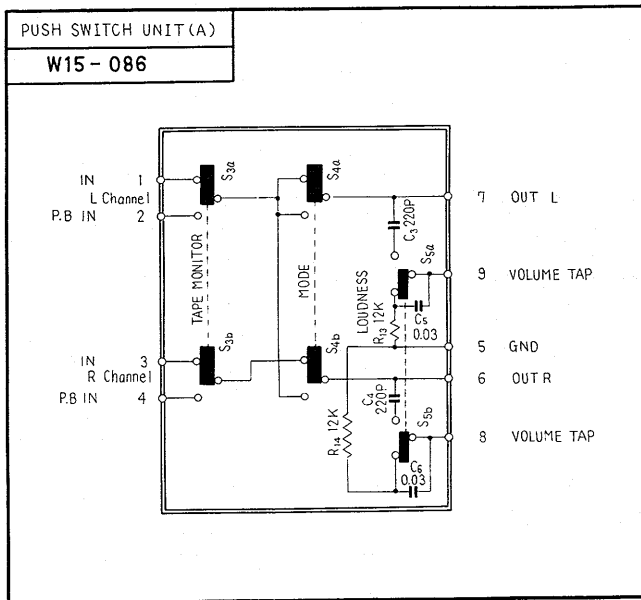
MAIN AMP UNIT



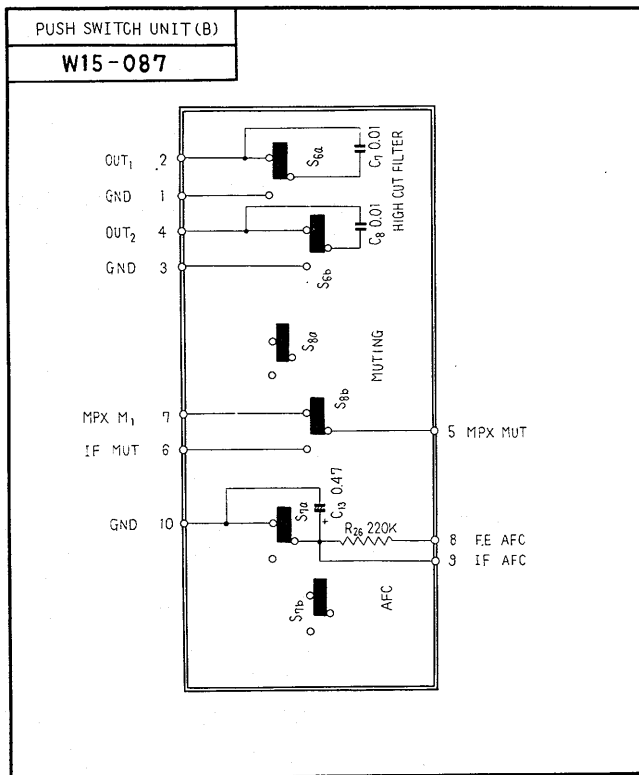
MAIN AMP UNIT For NBW model



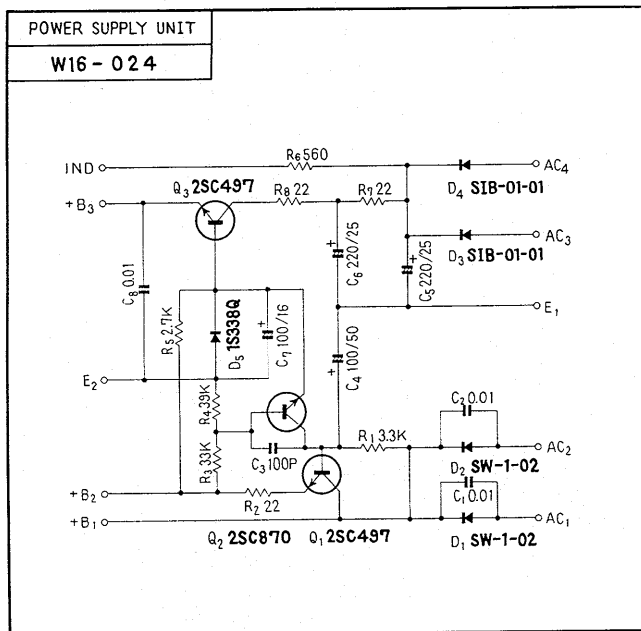
PUSH SWITCH UNIT



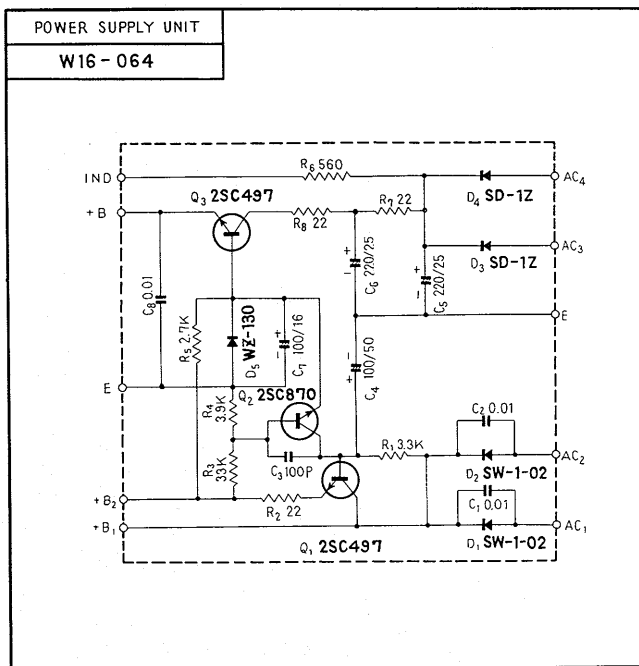
PUSH SWITCH UNIT



POWER SUPPLY UNIT



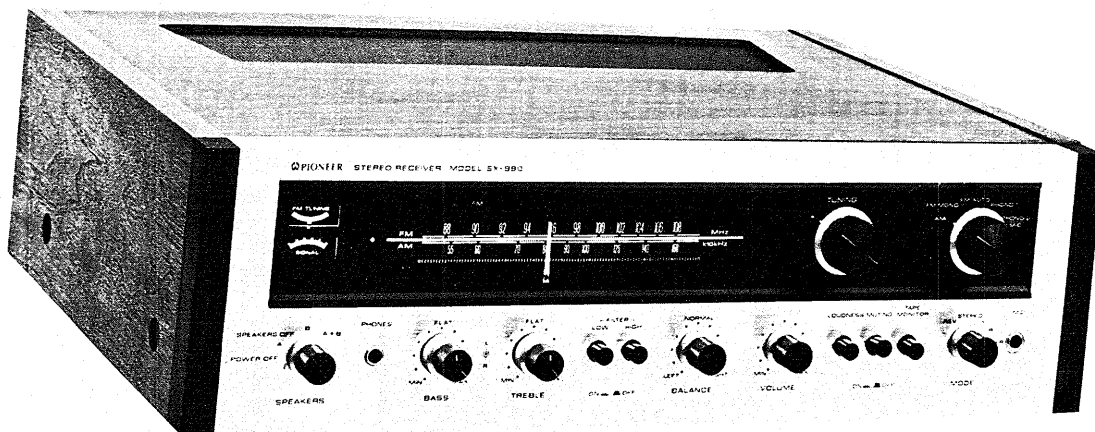
POWER SUPPLY UNIT for NBW model



AM/FM STEREO RECEIVER

SX-990

UNIT	ROUND LABEL	FSAW	FWW	FVZW	KCW	KUW	NBW
TUNER UNIT							
FM FRONT END		W11-030	W11-028	AWB-001	W11-028	W11-028	W11-028
FM IF UNIT		W12-031	W12-032	W12-032	W12-032	W12-032	W12-032
MPX UNIT		W13-026	W13-026	W13-026	W13-026	W13-026	W13-026
AM TUNER UNIT		W14-008	W14-008	W14-008	W14-008	W14-008	W14-015
MUTING UNIT		W18-026	W18-026	W18-026	W18-026	W18-026	W18-026
HEAD AMP UNIT		W15-049	W15-049	W15-049	W15-049	W15-049	W15-049
CONTROL AMP UNIT		W15-079	W15-079	W15-079	W15-079	W15-079	W15-079
MAIN AMP UNIT		W15-060	W15-060	W15-060	W15-060	W15-060	W23-006
POWER SUPPLY UNIT		W16-022	W16-022	W16-022	W16-022	W16-022	W16-065
SWITCH UNIT		W15-081	W15-081	W15-081	W15-081	W15-081	W15-081
SWITCH UNIT		W15-082	W15-082	W15-082	W15-082	W15-082	W15-082
SWITCH UNIT							
TONE COLOR UNIT							
CONTROL UNIT		W15-080	W15-080	W15-080	W15-080	W15-080	W15-080
MIC AMP UNIT							
REVERBE AMP UNIT							
REVERBE UNIT							
INDICATOR UNIT		W18-012	W18-012	W18-012	W18-012	W18-012	W18-012



SX-990

- S₂ MODE SELECTOR (S14-035)
 (1) STEREO REV
 (2) STEREO NORM
 (3) MONO L
 (4) MONO R
 (5) MONO L+R

- S₁ INPUT SELECTOR (S13-029)
 (1) AM (4) PHONO 1 (CERAMIC)
 (2) FM (5) PHONO 2 (MIC)
 (3) FM (6) AUX

- S₃ OUTPUT SELECTOR (S11-022)
 (1) POWER OFF
 (2) SPEAKER A
 (3) SPEAKER OFF
 (4) SPEAKER B
 (5) SPEAKER A+B

- (AM) (FM) (PHONO 1) (PHONO 2)
 PLISWAN 8V0.25A (K, S)

- STEREO INDICATOR LAMP
 W1B-012 8V 0.3A x 4

- 7.5V Blue
 3A

- 8V 0.25A (SWAN)

- 8V 0.3A x 4

- 8V 0.25A (SWAN)

- 8V 0.3A x 4

- 8V 0.25A (SWAN)

- 8V 0.3A x 4

- 8V 0.25A (SWAN)

- 8V 0.3A x 4

- 8V 0.25A (SWAN)

- 8V 0.3A x 4

- 8V 0.25A (SWAN)

- 8V 0.3A x 4

- 8V 0.25A (SWAN)

- 8V 0.3A x 4

- 8V 0.25A (SWAN)

- 8V 0.3A x 4

- 8V 0.25A (SWAN)

- 8V 0.3A x 4

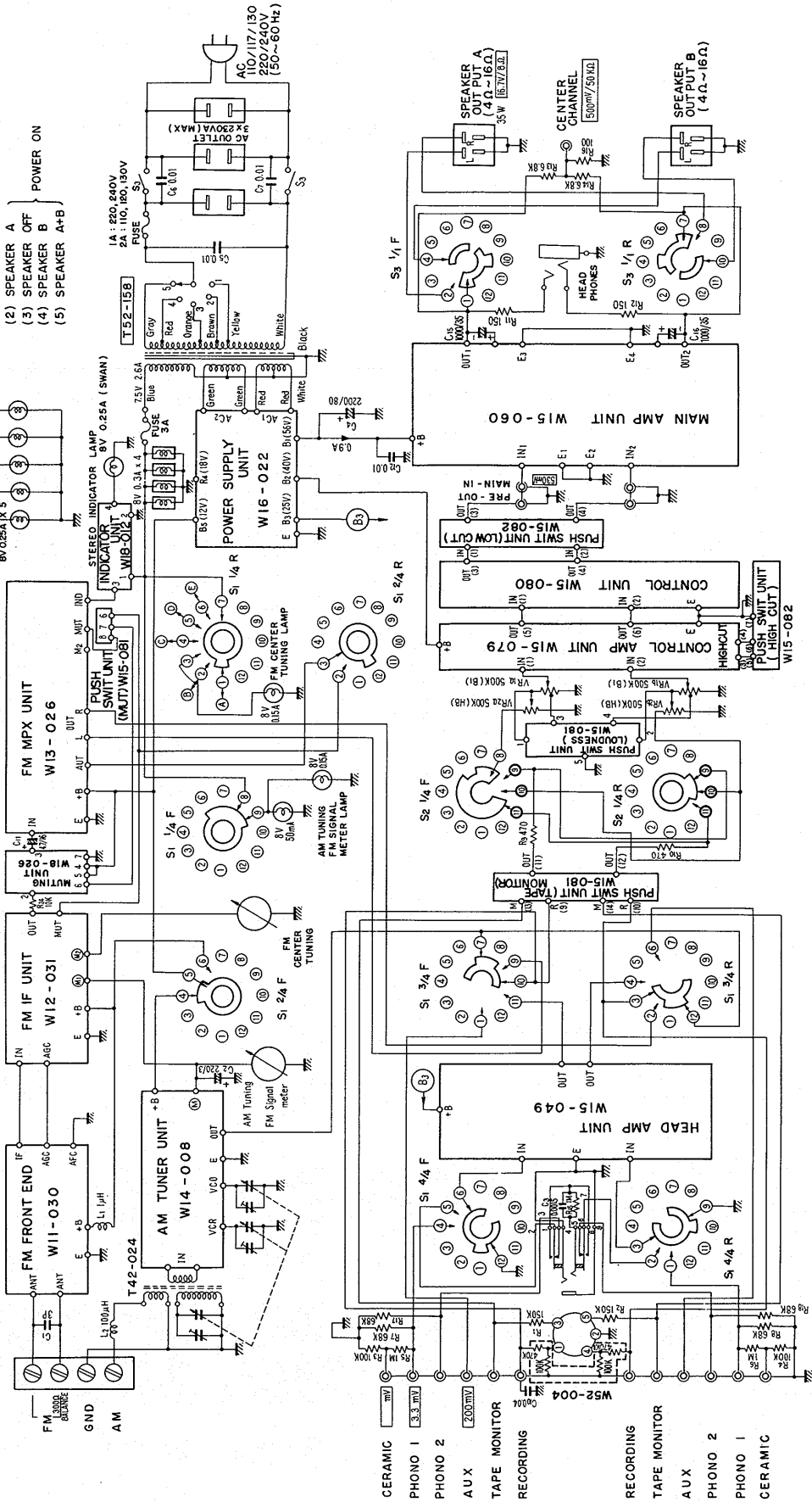
- 8V 0.25A (SWAN)

- 8V 0.3A x 4

- 8V 0.25A (SWAN)

- 8V 0.3A x 4

- 8V 0.25A (SWAN)

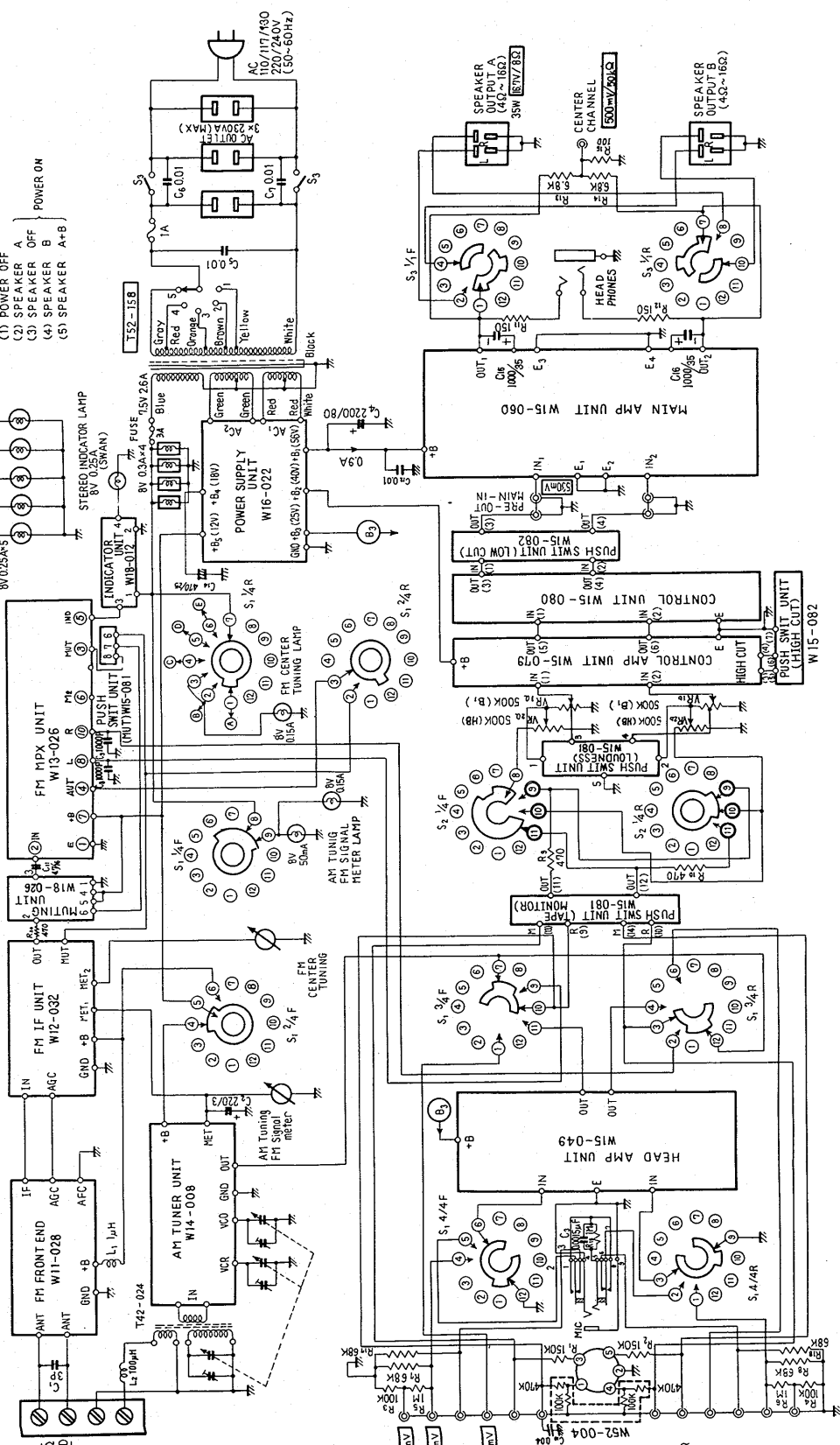


ITEM NO.	VACANT
R1 ~ R24	
C1 ~ C12	
S1 ~ S3	

SX-990 for FWV model

SX-990

- S₁ INPUT SELECTOR (S11-028)
 (1) AM (2) STEREO REV (3) STEREO NORM (4) MONO L (5) MONO R (6) L+R
- S₂ MODE SELECTOR (S14-035)
 (1) STEREO REV (2) STEREO NORM (3) MONO L (4) MONO R (5) MONO L+R
- S₃ OUTPUT SELECTOR (S11-022)
 (1) POWER OFF (2) SPEAKER A (3) SPEAKER B (4) SPEAKER A+B (5) POWER ON



ITEM No.	VACANT
R ₁ ~ R ₂₄	R ₁ ~ R ₁₃
C ₁ ~ C ₁₀	

- CERAMIC
- PHONO 1
- PHONO 2
- AUX
- TAPE MONITOR
- RECORDING
- RECORDING TAPE MONITOR
- AUX
- PHONO 2
- PHONO 1
- CERAMIC

- S₁ MODE SELECTOR**
 (1) STEREO REV
 (2) STEREO NORM
 (3) MONO L
 (4) MONO R
 (5) MONO L+R
- S₂ OUTPUT SELECTOR**
 (1) POWER OFF
 (2) SPEAKER A
 (3) SPEAKER OFF
 (4) SPEAKER B
 (5) SPEAKER A+B
- POWER ON

- S₃ INPUT SELECTOR**
 (1) AM
 (2) FM
 (3) FM AUTO
- (4) PHONO 1 (CERAMIC)
 (5) PHONO 2 (MIC)
 (6) AUX

- (A) (M) (P) (PHONO 1) (PHONO 2)
 (S) (SWAN)

- S₄ INPUT SELECTOR**
 (1) AM
 (2) FM
 (3) FM AUTO
- (4) PHONO 1 (CERAMIC)
 (5) PHONO 2 (MIC)
 (6) AUX

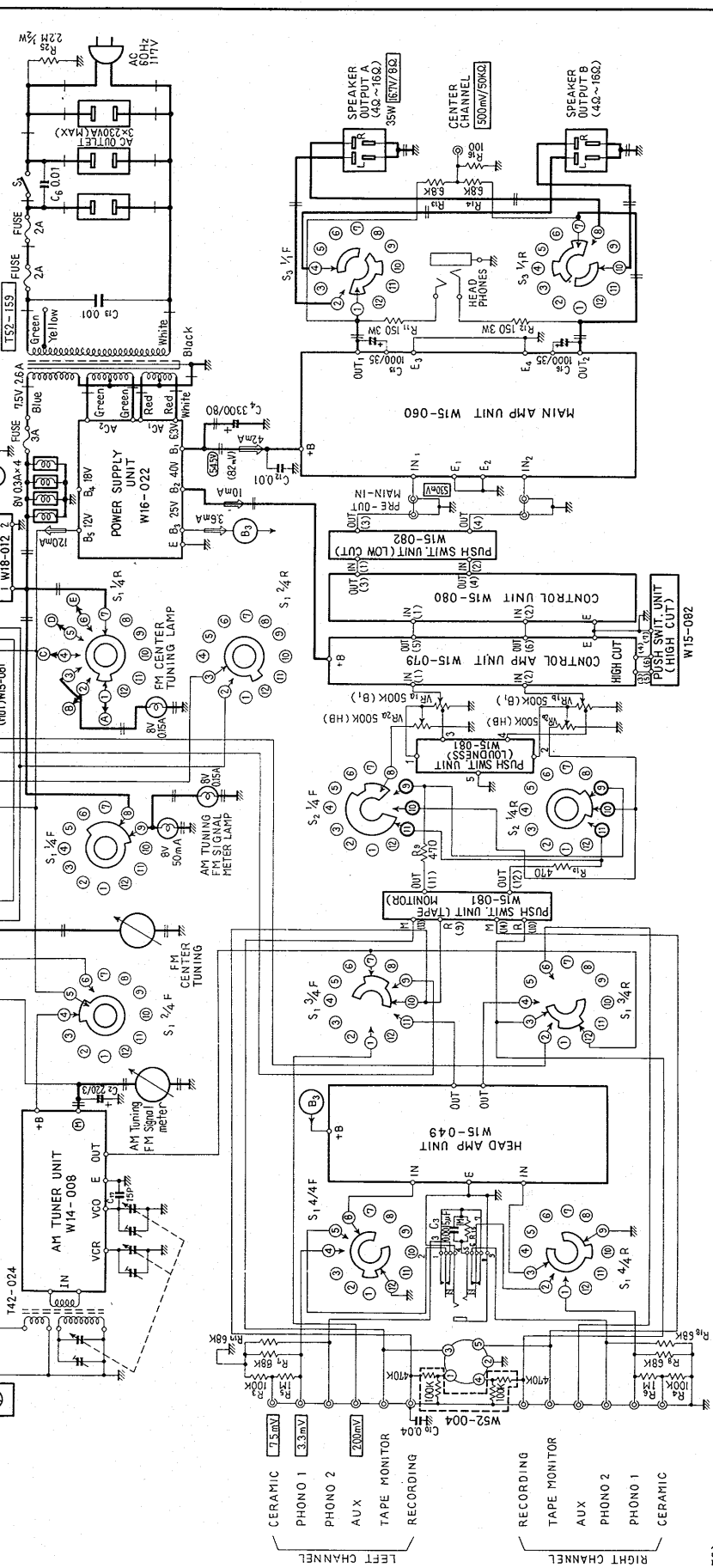
- (A) (M) (P) (PHONO 1) (PHONO 2)
 (S) (SWAN)

- (A) (M) (P) (PHONO 1) (PHONO 2)
 (S) (SWAN)

- (A) (M) (P) (PHONO 1) (PHONO 2)
 (S) (SWAN)

- (A) (M) (P) (PHONO 1) (PHONO 2)
 (S) (SWAN)

- (A) (M) (P) (PHONO 1) (PHONO 2)
 (S) (SWAN)



SECTION	ITEM NO	VACANT
1	R	R ₁ ~ R ₃₅
2	C	C ₁ ~ C ₁₄ , C ₅ , C ₇

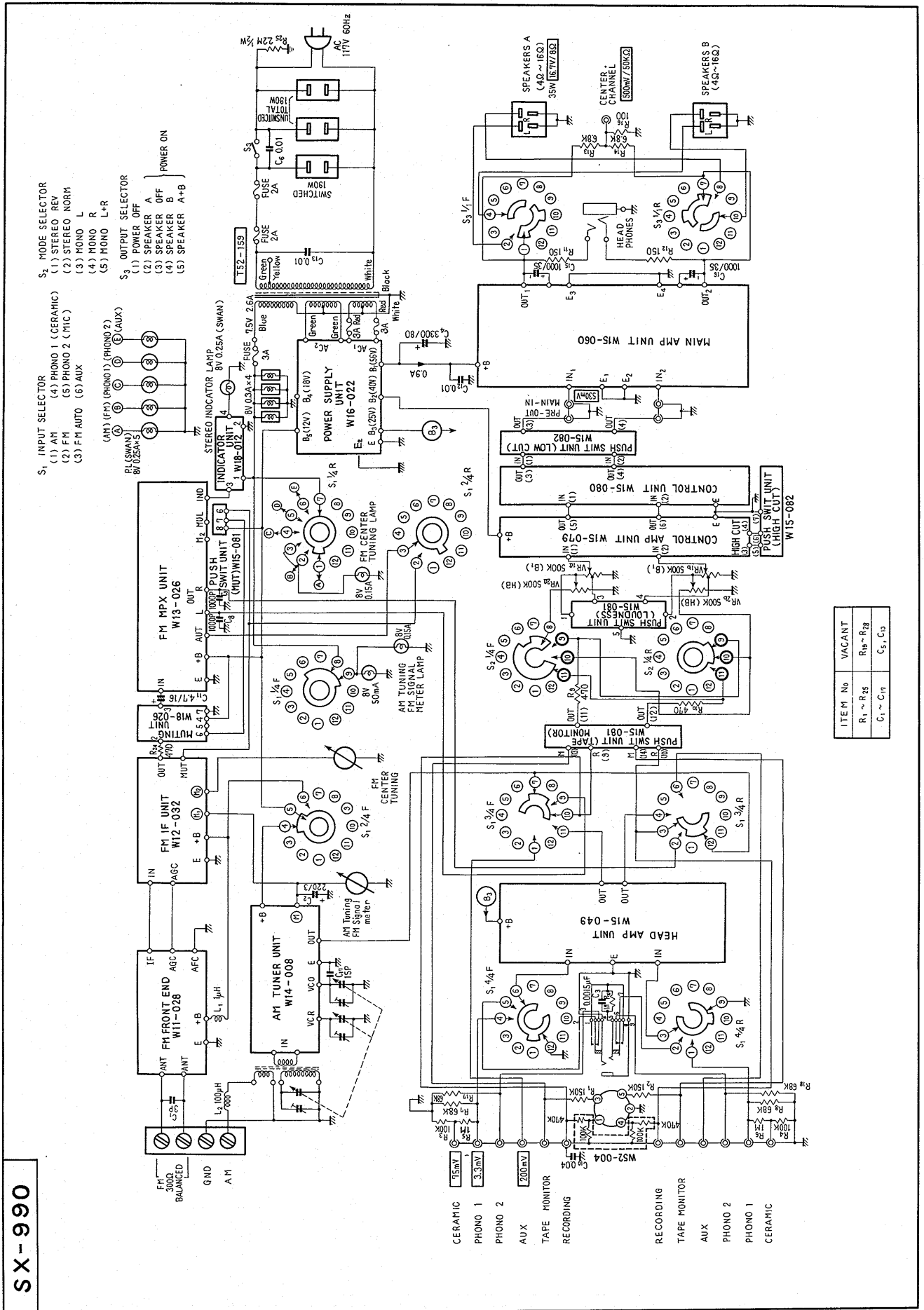
CSA APPROVED WIRE
 TR-64
 TR-32

CURRENT AND VOLTAGES
 ◀ NO INPUT SIGNAL DC CURRENT
 V NO INPUT SIGNAL DC VOLTAGE
 ⊕ MAX INPUT SIGNAL DC VOLTAGE (ONE CHANNEL)
 ⊖ SIGNAL VOLTAGE AT 35W/8Ω (SPEAKER OUTPUT)
 ALL VOLTAGE MEASURED WITH V.T.V.M.

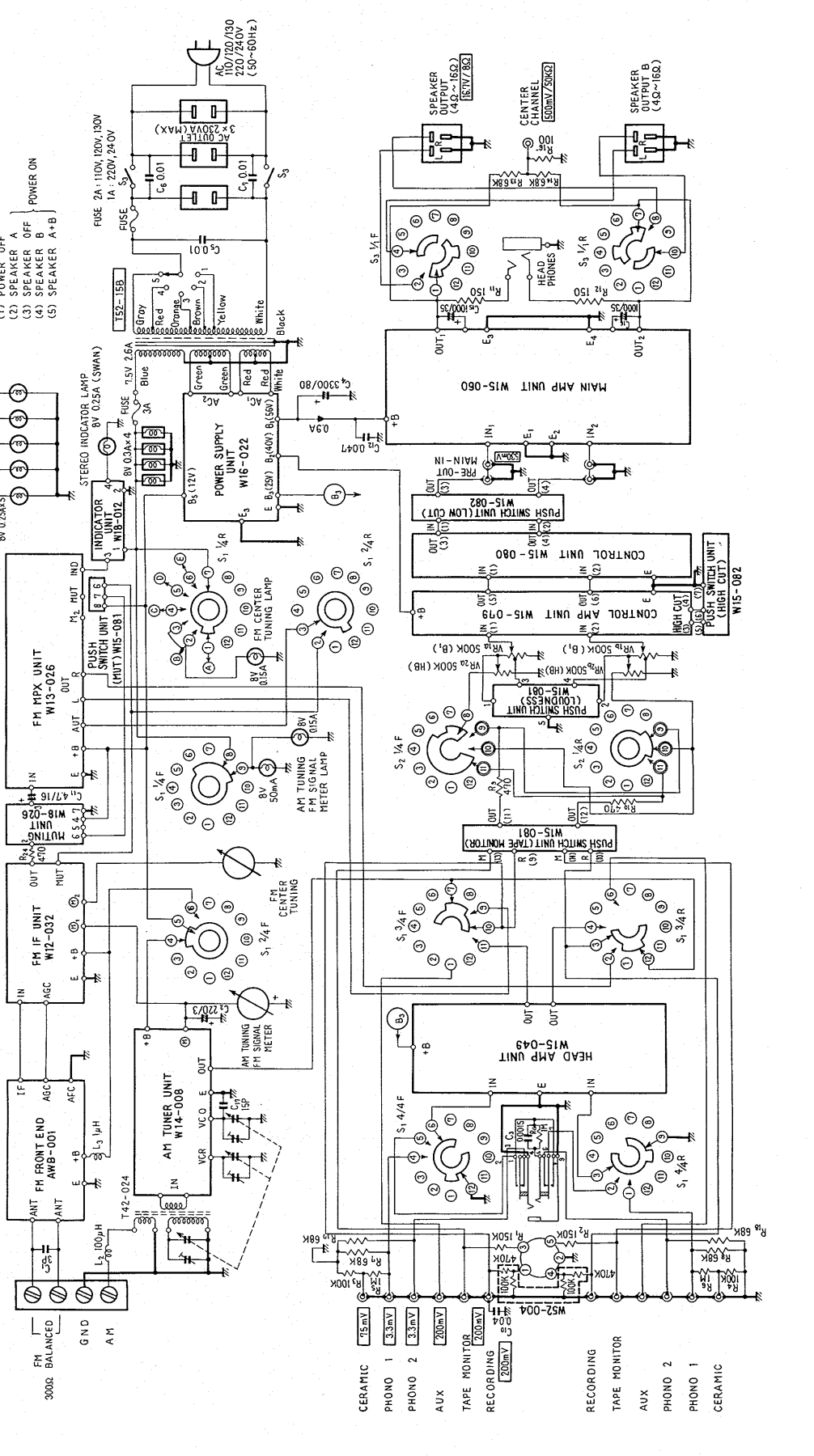
CAPACITORS
 NON MARK : μF
 P : pμF

(NOTE)
 POTENTIOMETERS
 VR, MAIN VOLUME CONTROL (C85-054)
 VR2, BALANCE VOLUME CONTROL (C85-048)
 RESISTORS
 NON-MARK - OHM K: KILOHM W: WATT
 M: MEGOHM

SX-990 for KUW model



- S₁ INPUT SELECTOR**
 (1) AM
 (2) FM
 (3) FM AUTO
 (4) PHONO 1 (CERAMIC)
 (5) PHONO 2 (MIC)
 (6) AUX
- (AUX) (PHONO 1) (PHONO 2)
 (7) (8) (9) (10) (11) (12) (13) (14) (15) (16) (17) (18) (19) (20) (21) (22) (23) (24) (25) (26) (27) (28) (29) (30) (31) (32) (33) (34) (35) (36) (37) (38) (39) (40) (41) (42) (43) (44) (45) (46) (47) (48) (49) (50) (51) (52) (53) (54) (55) (56) (57) (58) (59) (60) (61) (62) (63) (64) (65) (66) (67) (68) (69) (70) (71) (72) (73) (74) (75) (76) (77) (78) (79) (80) (81) (82) (83) (84) (85) (86) (87) (88) (89) (90) (91) (92) (93) (94) (95) (96) (97) (98) (99) (100)
- S₂ MODE SELECTOR**
 (1) STEREO REV
 (2) STEREO NORM
 (3) MONO L
 (4) MONO R
 (5) MONO L+R
- S₃ OUTPUT SELECTOR**
 (1) SPEAKER A
 (2) SPEAKER OFF
 (3) SPEAKER B
 (4) SPEAKER A+B
 (5) POWER ON

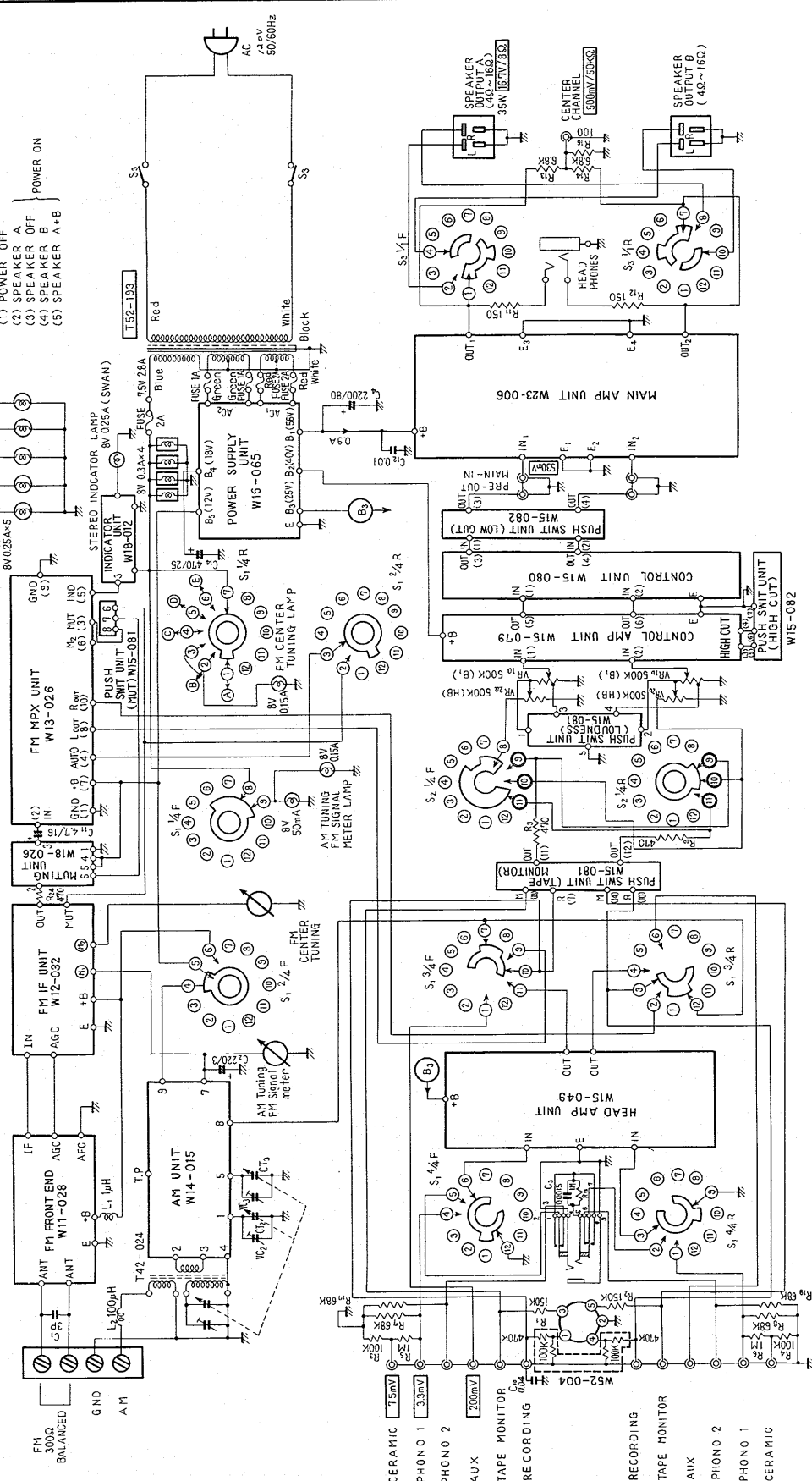


- CERAMIC 75mV
 PHONO 1 5.3mV
 PHONO 2 3.3mV
 AUX 200mV
 TAPE MONITOR 200mV
 RECORDING 200mV
- RECORDING
 TAPE MONITOR
 AUX
 PHONO 2
 PHONO 1
 CERAMIC

SX-990 for NBW model

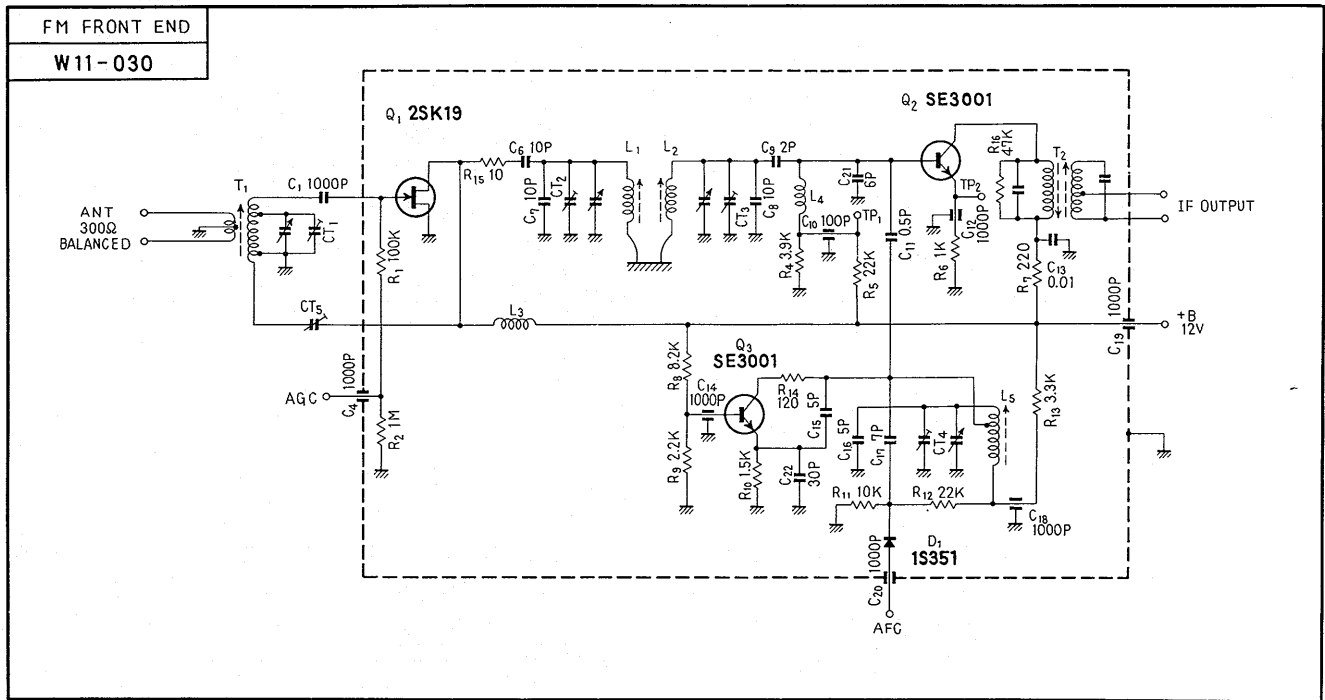
SX-990

- S₁ INPUT SELECTOR (S13-029)
 (1) AM (4) PHONO 1 (CERAMIC)
 (2) FM (5) PHONO 2 (MIC)
 (3) FM AUTO (6) AUX
 (AM) (FM) (PHONO 1) (PHONO 2)
 (A) (B) (C) (D) (E) (AUX)
- S₂ MODE SELECTOR (S14-035)
 (1) STEREO REV
 (2) STEREO NORM
 (3) MONO L
 (4) MONO R
 (5) MONO L+R
- S₃ OUTPUT SELECTOR (S11-022)
 (1) POWER OFF
 (2) SPEAKER A
 (3) SPEAKER OFF
 (4) SPEAKER B
 (5) SPEAKER A+B

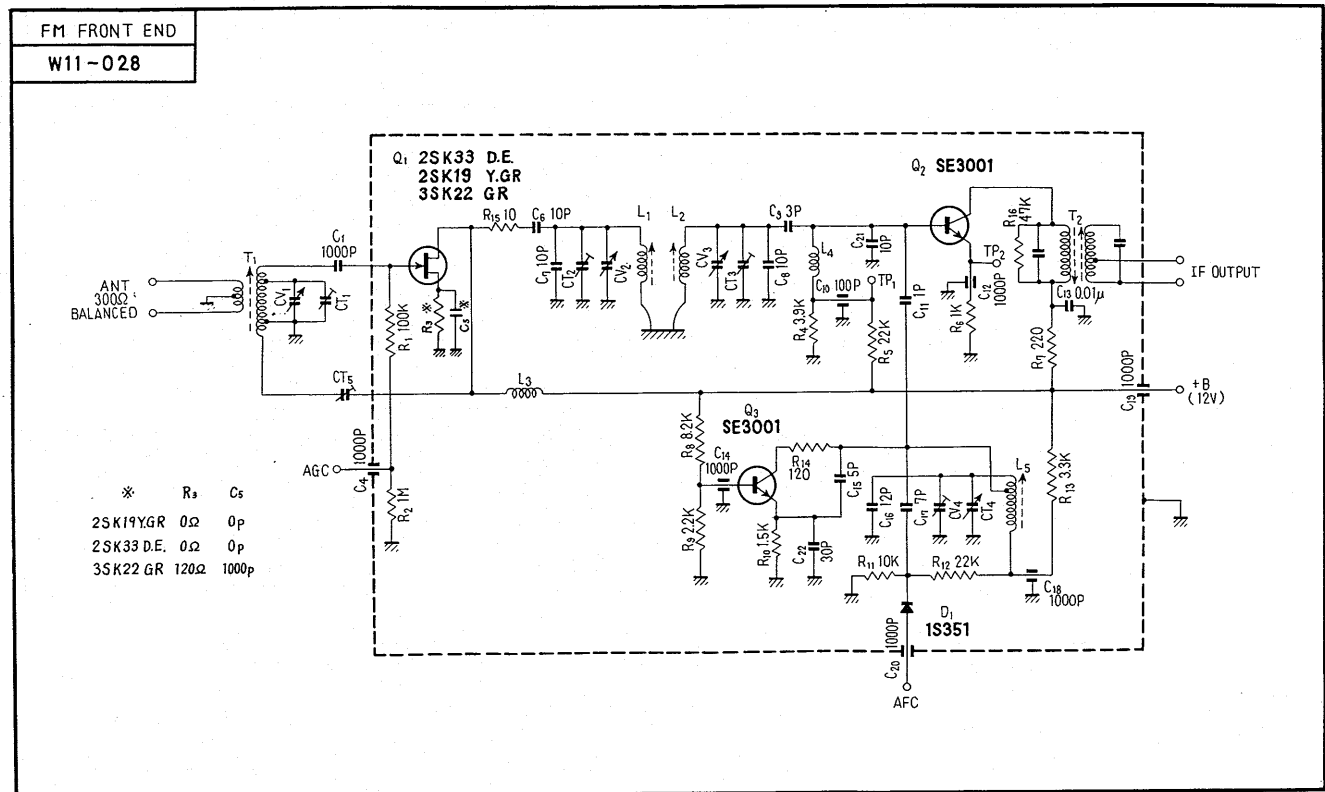


ITEM No.	VACANT
R ₁ ~ R ₂₄	R ₁₀ ~ R ₂₃
C ₁ ~ C ₁₀	C ₅ , C ₉ , C ₁₀

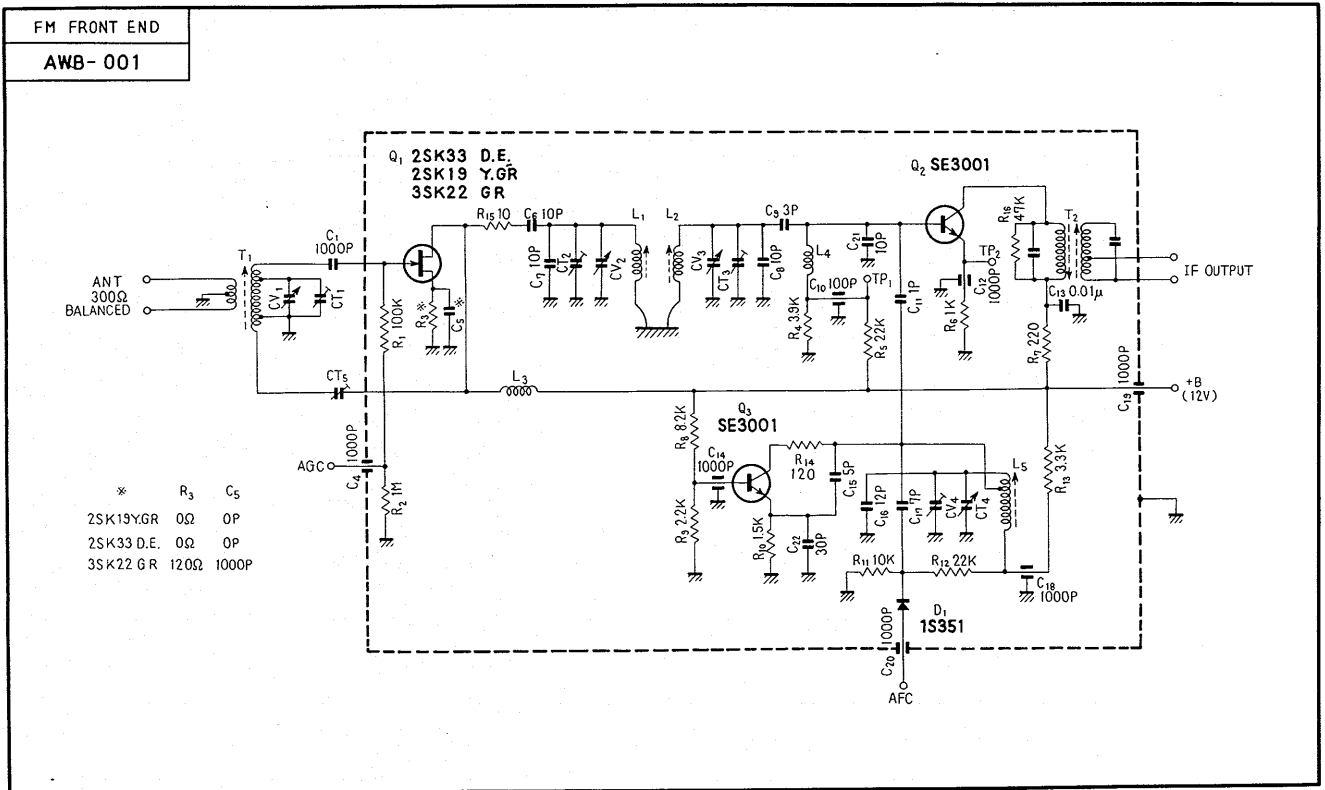
FM FRONT END for FSAW model



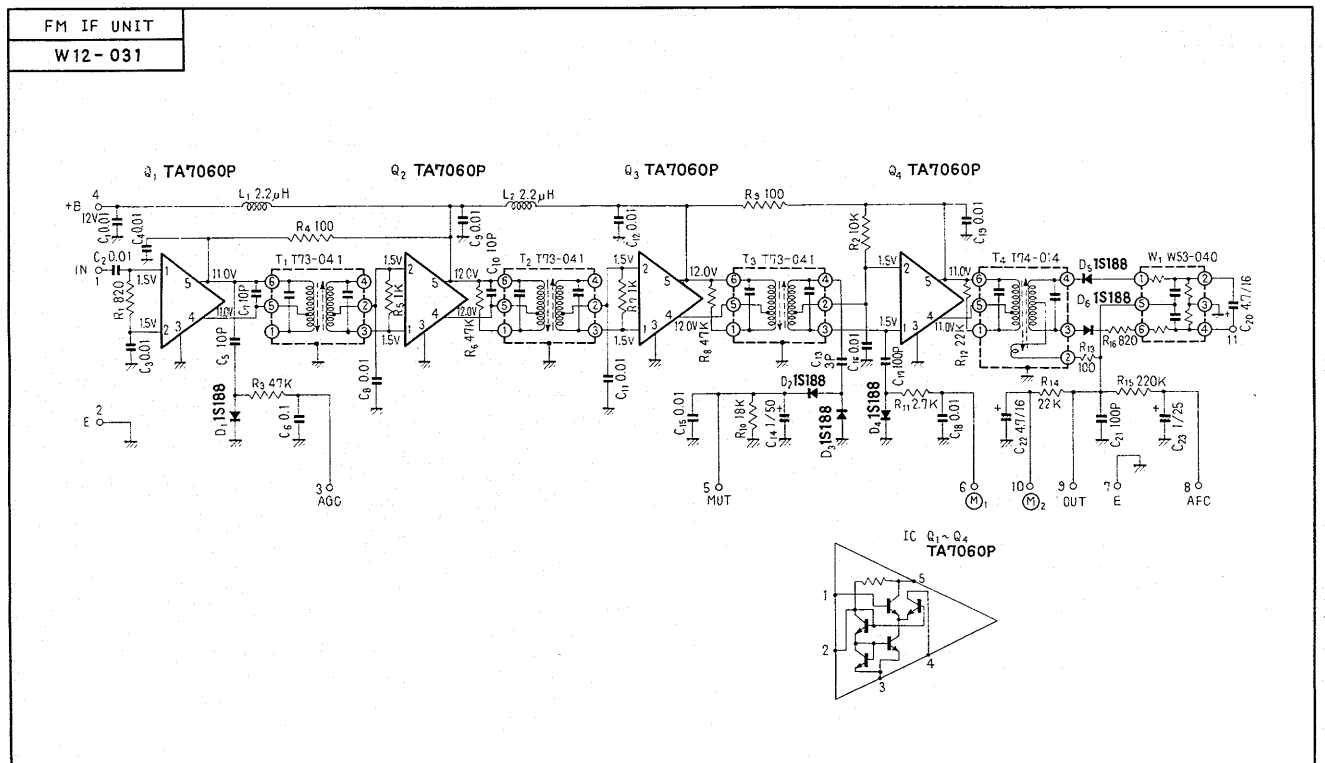
FM FRONT END for FVW, KCW, KUW, NBW model



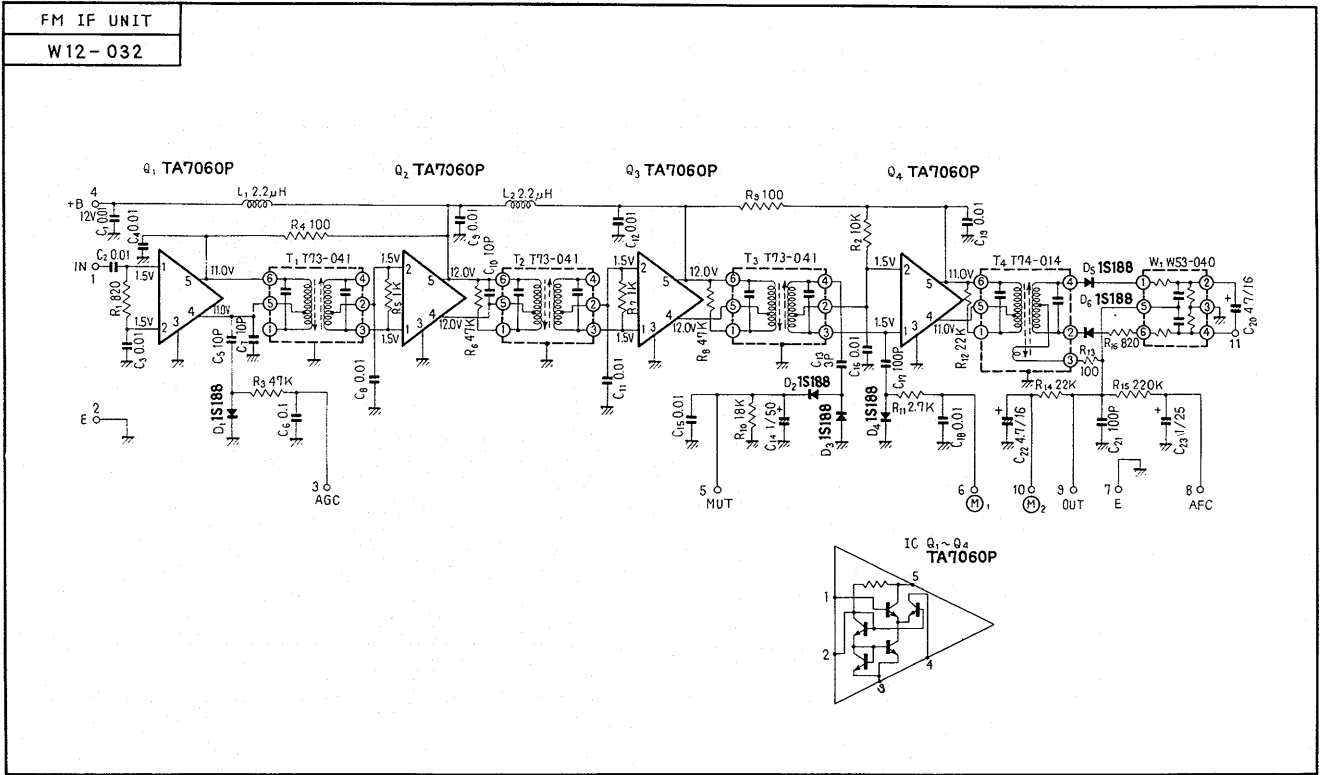
FM FRONT END for FVZW model



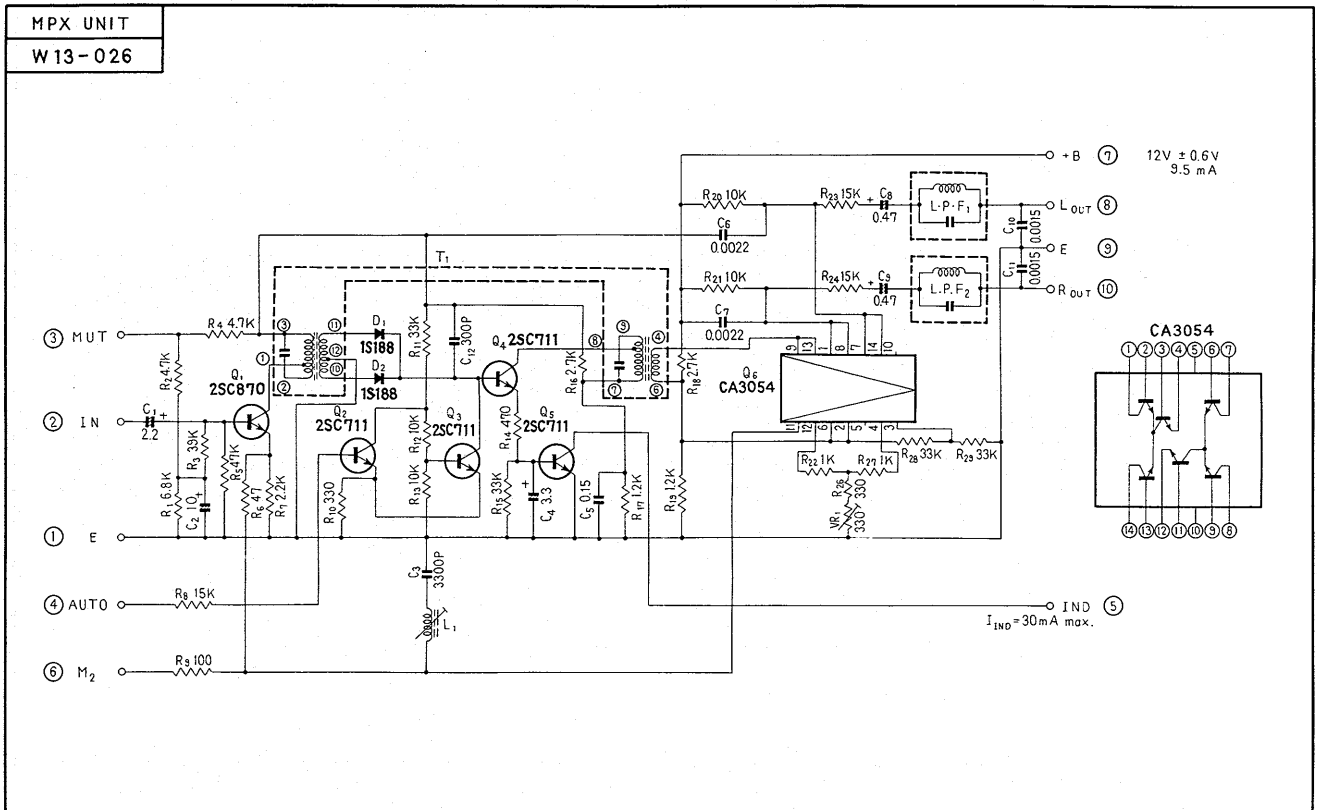
FM IF UNIT



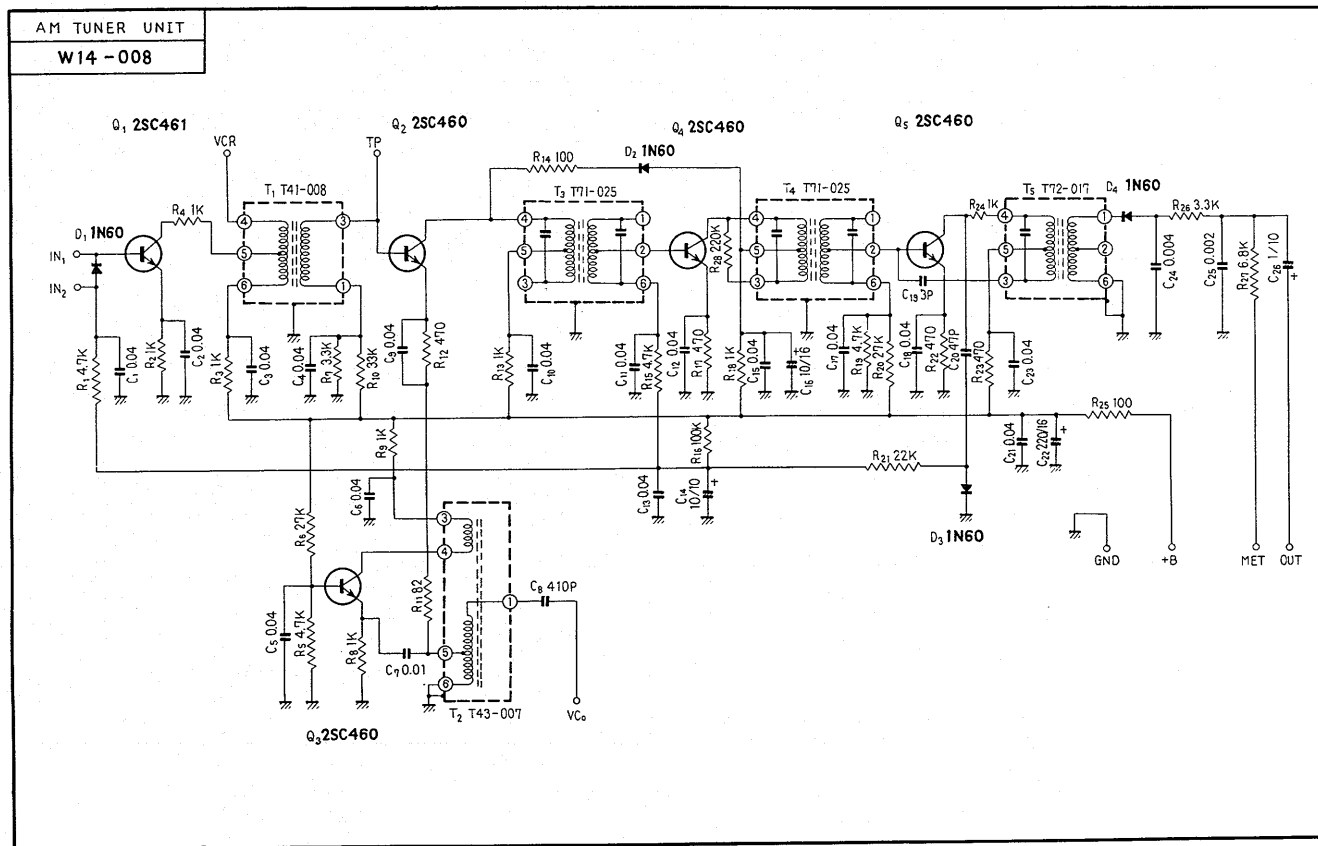
FM IF UNIT for FVW, FVZW, KCW, KUW, NBW model



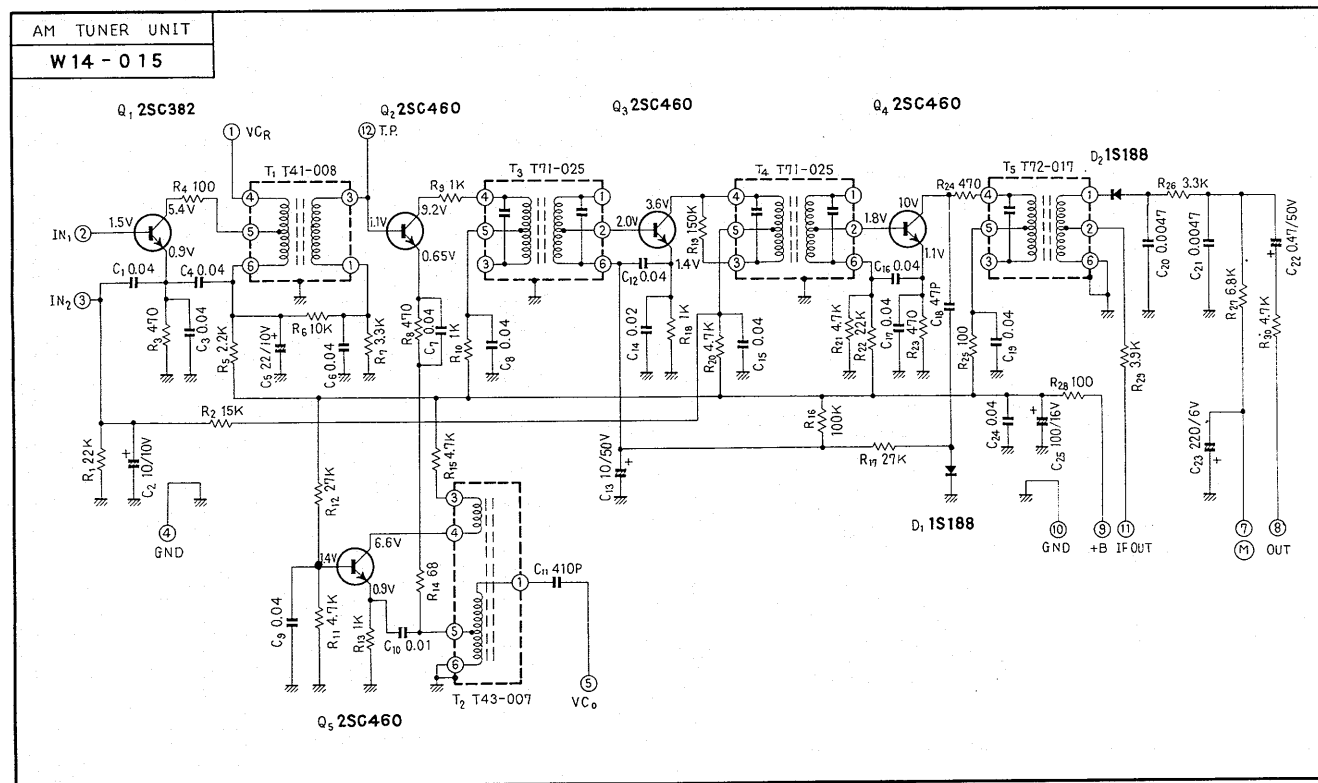
MPX UNIT



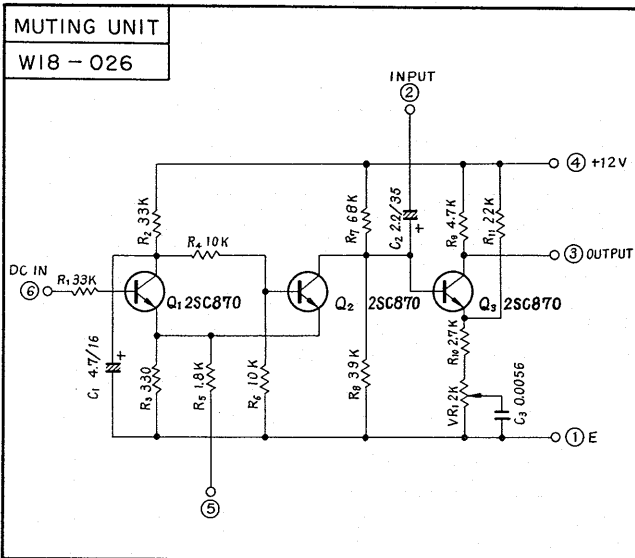
AM TUNER UNIT



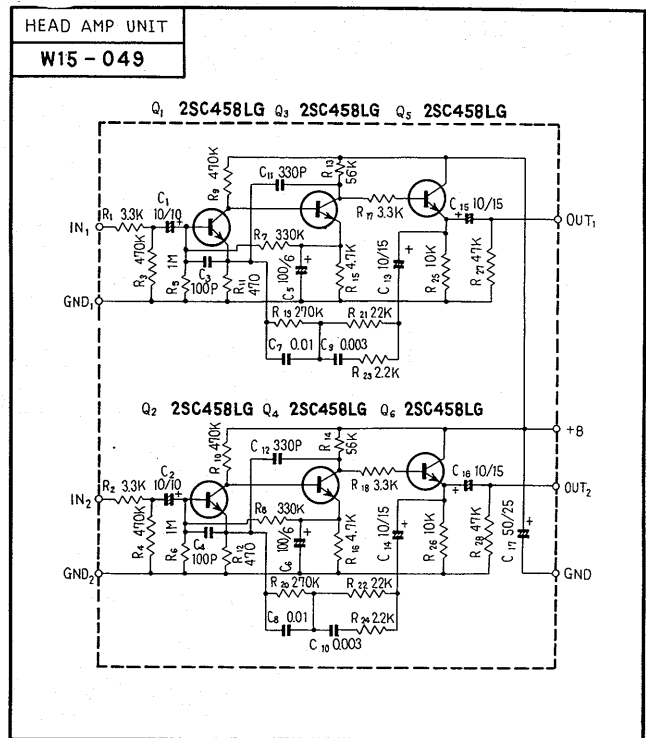
AM TUNER UNIT for NBW model



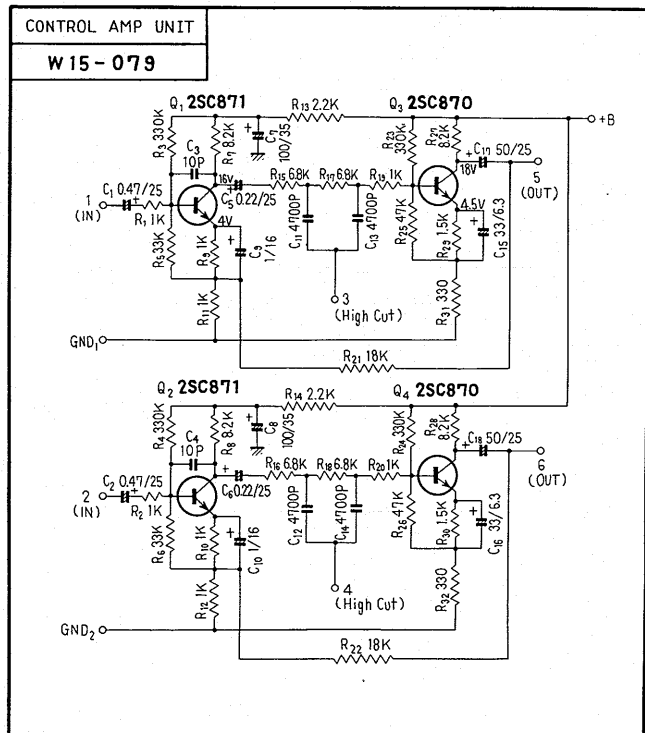
MUTING UNIT



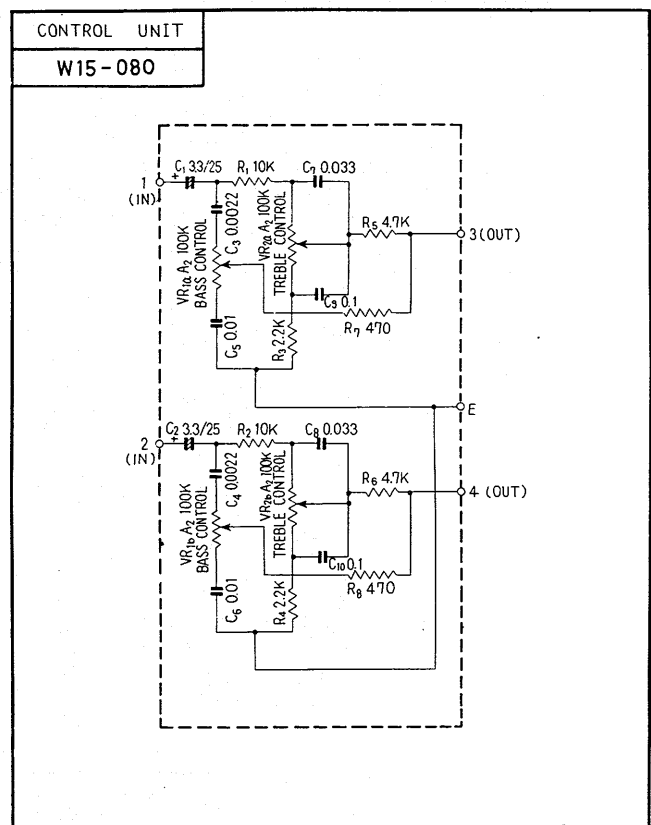
HEAD AMP UNIT



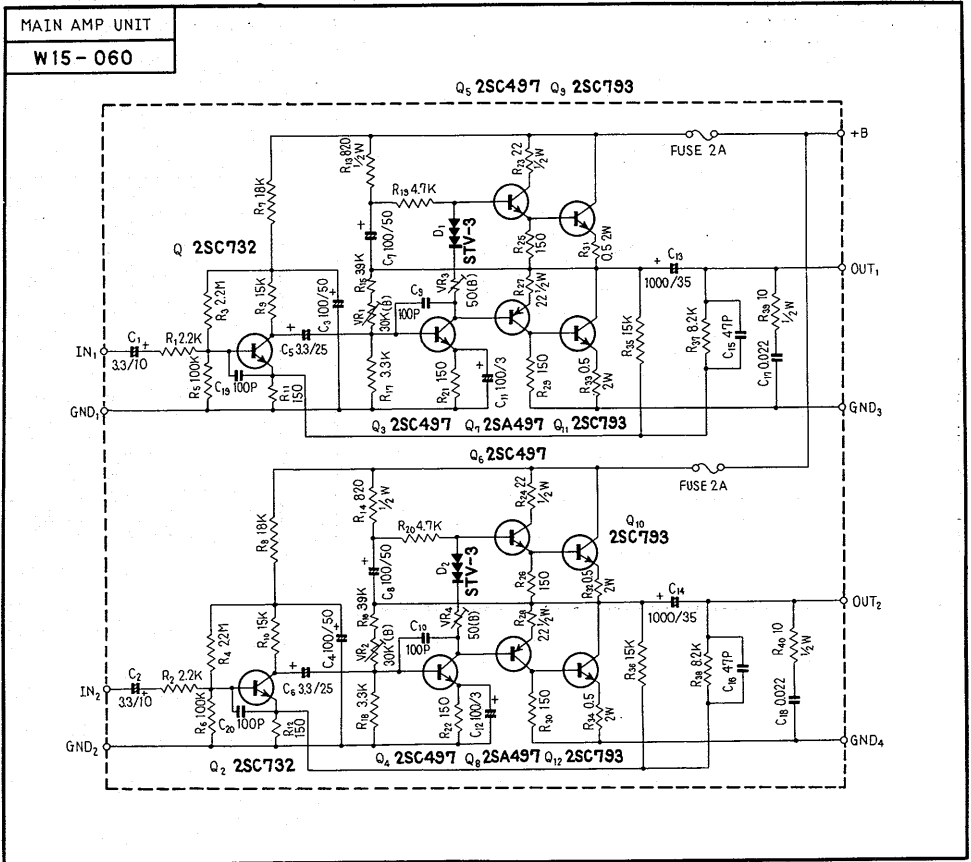
CONTROL AMP UNIT



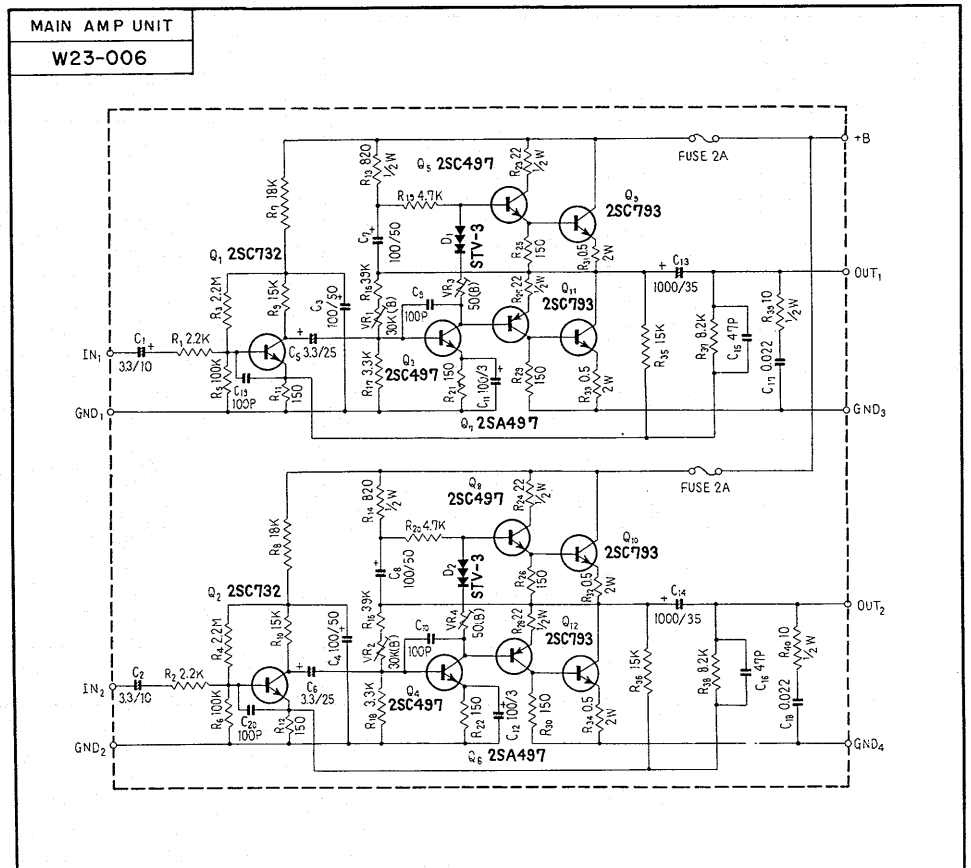
CONTROL UNIT



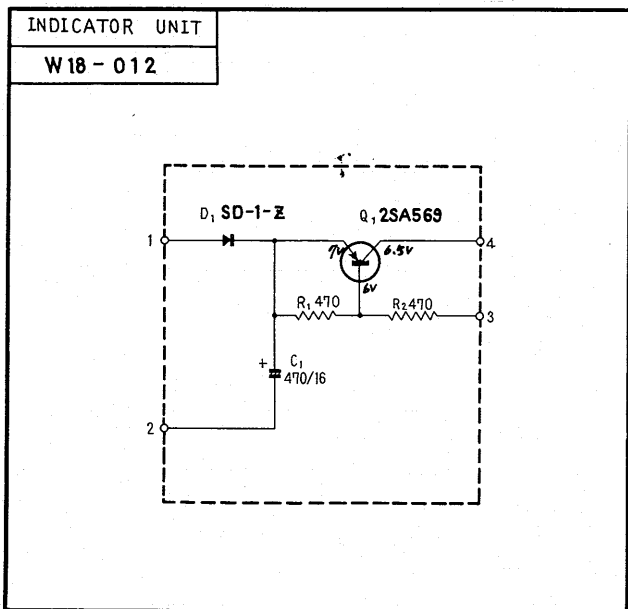
MAIN AMP UNIT



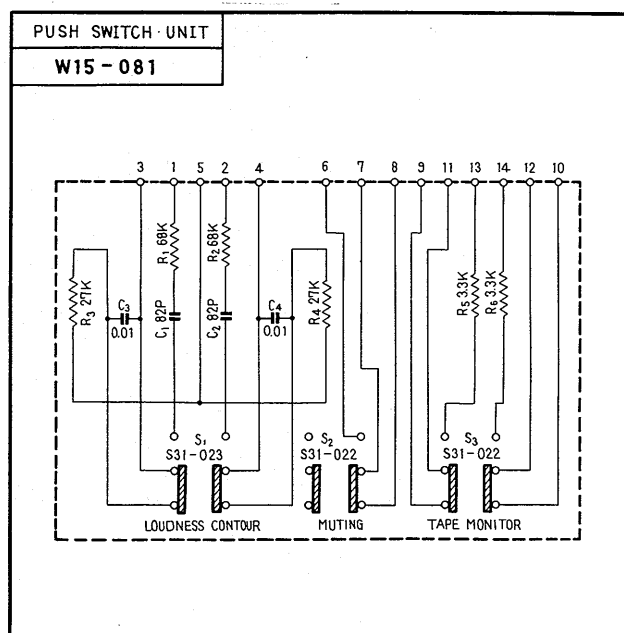
MAIN AMP UNIT for NBW model



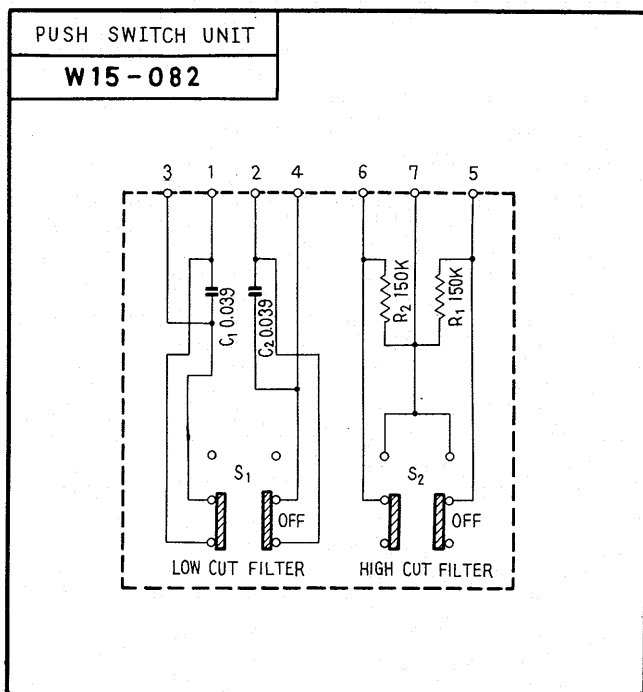
INDICATOR UNIT



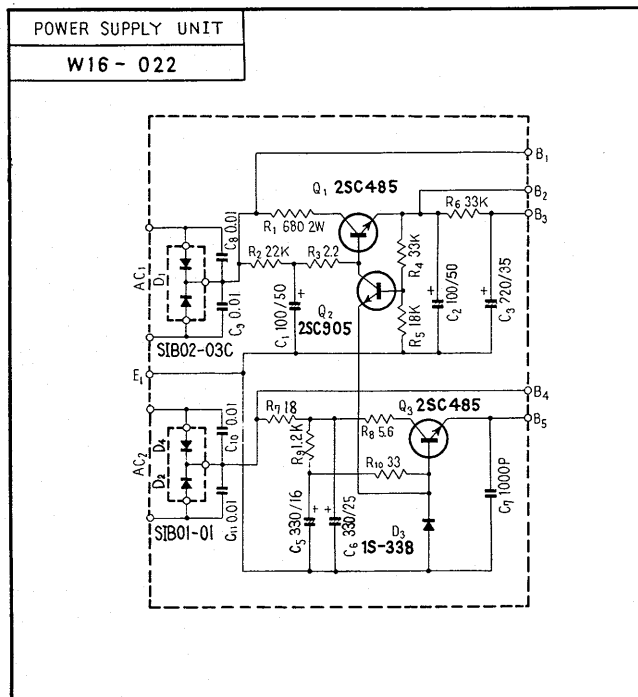
PUSH SWITCH UNIT



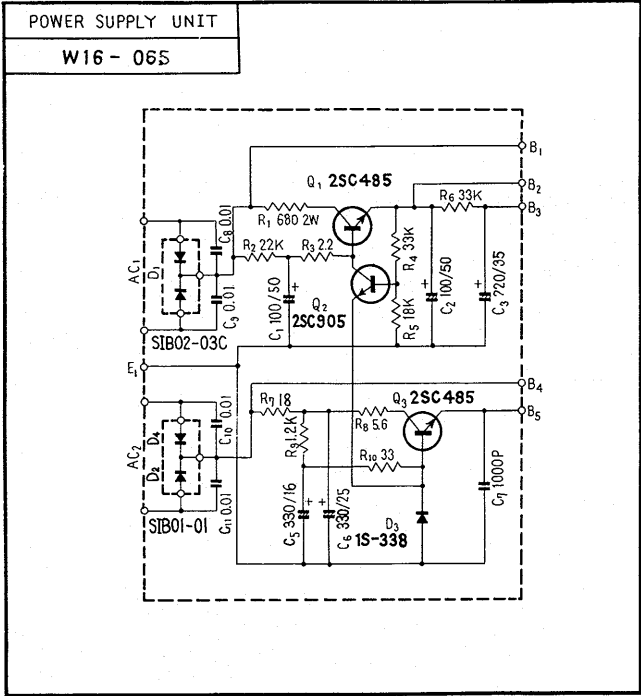
PUSH SWITCH UNIT



POWER SUPPLY UNIT



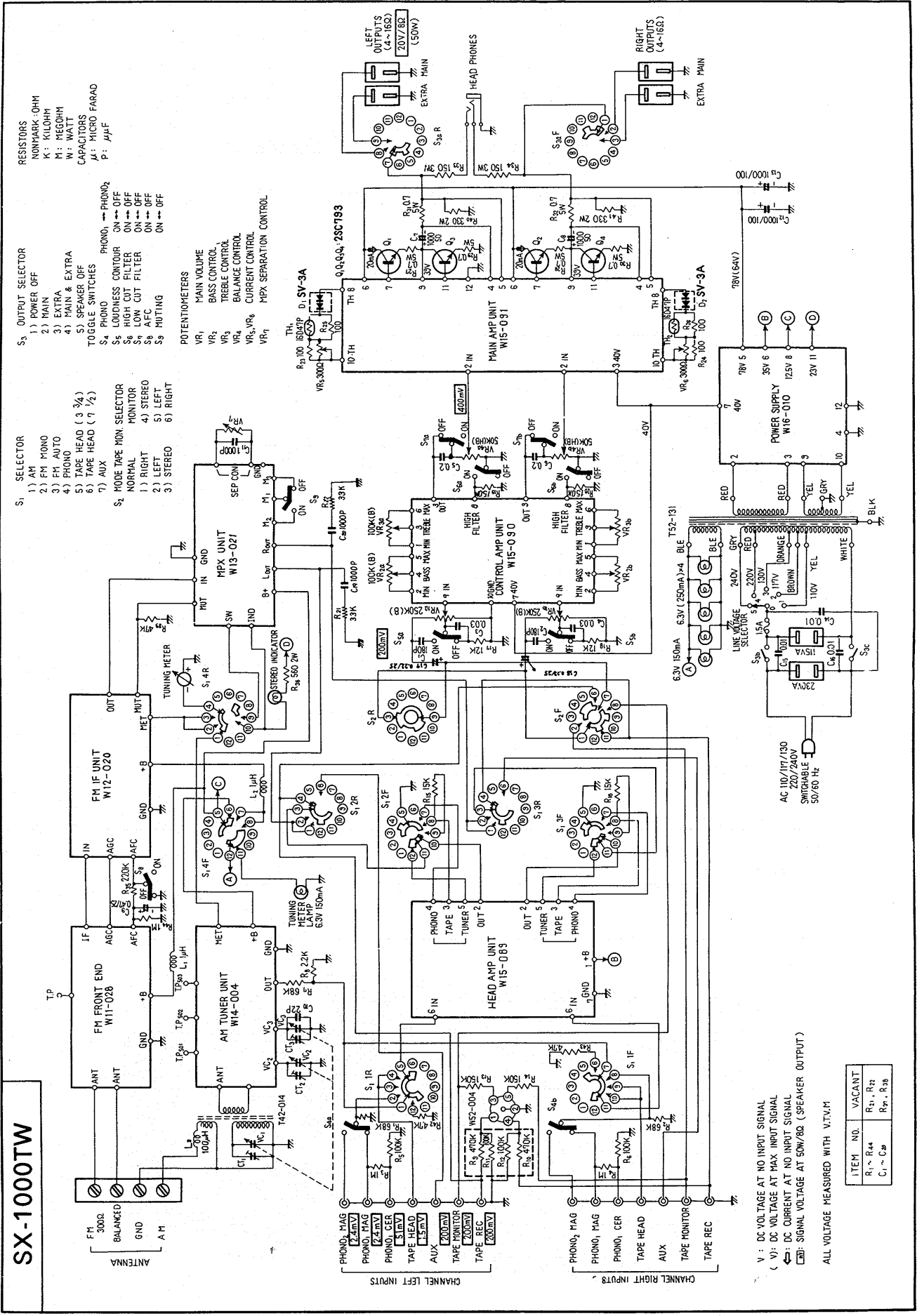
POWER SUPPLY UNIT for NBW model



AM/FM STEREO RECEIVER SX-1000TW

UNIT \ ROUND LABEL	FW					
FM FRONT END	W11-028					
FM IF UNIT	W12-020					
MPX UNIT	W13-021					
AM TUNER UNIT	W14-004					
MUTING UNIT						
HEAD AMP UNIT	W15-089					
CONTROL AMP UNIT	W15-090					
MAIN AMP UNIT	W15-091					
POWER SUPPLY UNIT	W16-010					
SWITCH UNIT						
SWITCH UNIT						
SWITCH UNIT						
TONE COLOR UNIT						
CONTROL UNIT						
MIC AMP UNIT						
REVERBE AMP UNIT						
REVERBE UNIT						





- RESISTORS**
 NONMARK-OHM
 K: KILOHM
 M: MEGOHM
 W: WATT
 CAPACITORS
 μ: MICRO FARAD
 P: μF
- S₁ SELECTOR**
 1) AM
 2) FM PHONO
 3) FM AUTO
 4) PHONO
 5) TAPE HEAD (3 3/4")
 6) TAPE HEAD (7 1/2")
 7) AUX
 S₁ MODE TAPE MON. SELECTOR
 1) NORMAL
 2) RIGHT
 3) STEREO
 4) STEREO
 5) LEFT
 6) RIGHT
- S₃ OUTPUT SELECTOR**
 1) POWER OFF
 2) MAIN
 3) EXTRA
 4) MAIN & EXTRA
 5) SPEAKER OFF
 TOGGLE SWITCHES
 S₄ PHONO
 S₅ PHONO
 S₆ PHONO
 S₇ PHONO
 S₈ PHONO
 S₉ PHONO
- POTENTIOMETERS**
 VR₁ MAIN VOLUME
 VR₂ BASS CONTROL
 VR₃ TREBLE CONTROL
 VR₄ BALANCE CONTROL
 VR₅, VR₆ CURRENT CONTROL
 VR₇ MPX SEPARATION CONTROL

- PHONO**
 ON → OFF
 ON → OFF
 ON → OFF
 ON → OFF
 ON → OFF

- POWER SUPPLY**
 W16-010
 78V 5
 35V 6
 125V 8
 23V 11

- LINE VOLTAGE SELECTOR**
 240V
 220V
 117V
 110V

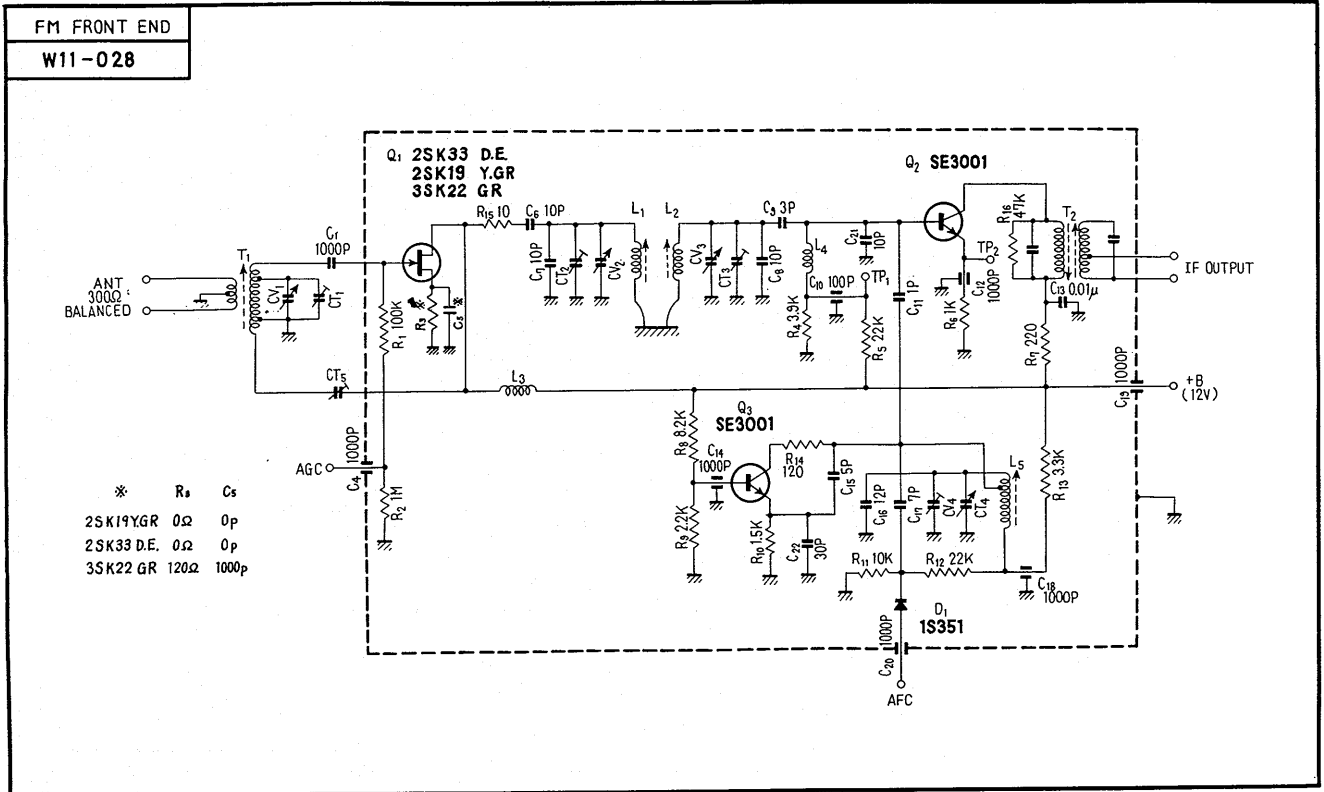
- AC 110/117/120 200/240V SWITCHABLE 50/60 Hz**

- ITEM NO.** VACANT
R₁ ~ R₁₈
C₁ ~ C₁₀

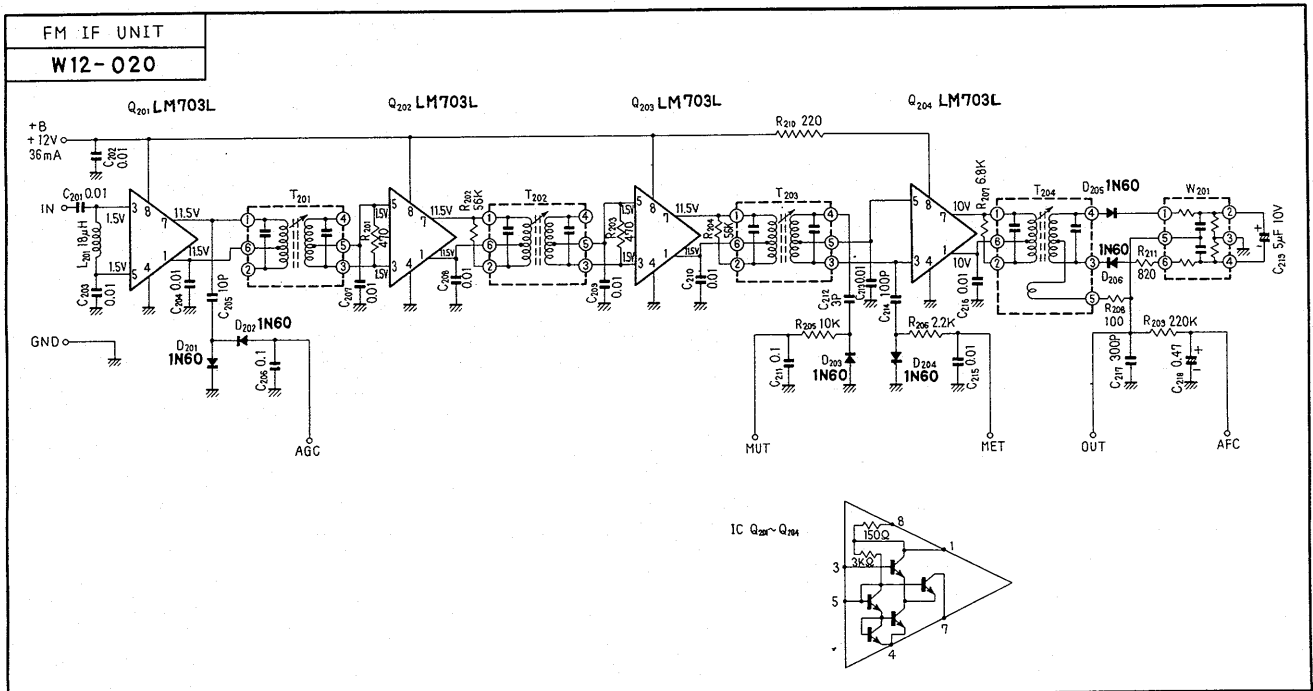
- V:** DC VOLTAGE AT NO INPUT SIGNAL
(V): DC VOLTAGE AT MAX INPUT SIGNAL
←: DC CURRENT AT NO INPUT SIGNAL
⊠: SIGNAL VOLTAGE AT 50W/8Ω (SPEAKER OUTPUT)
 ALL VOLTAGE MEASURED WITH V.T.M.

SX-1000TW

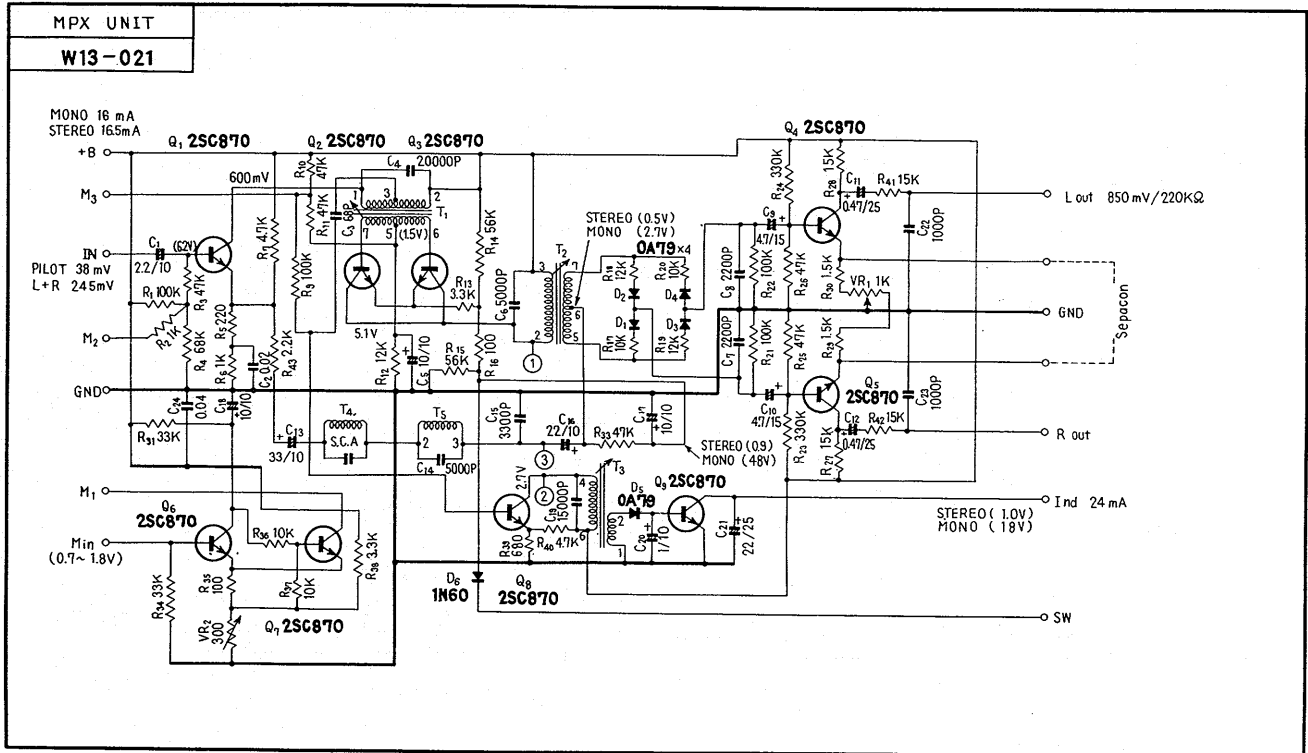
FM FRONT END



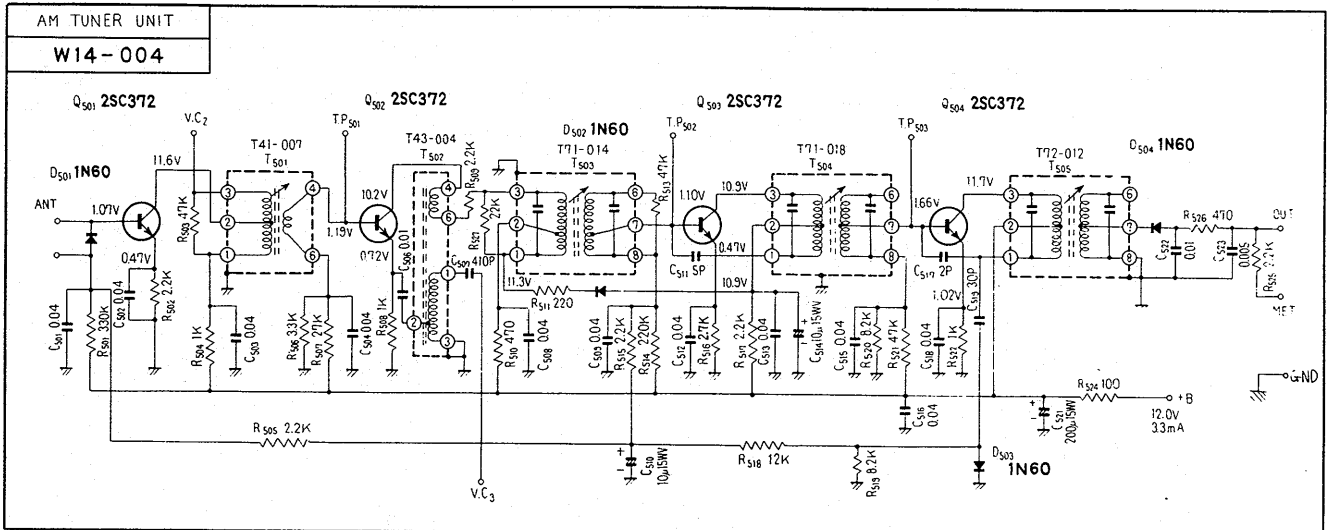
FM IF UNIT



MPX UNIT



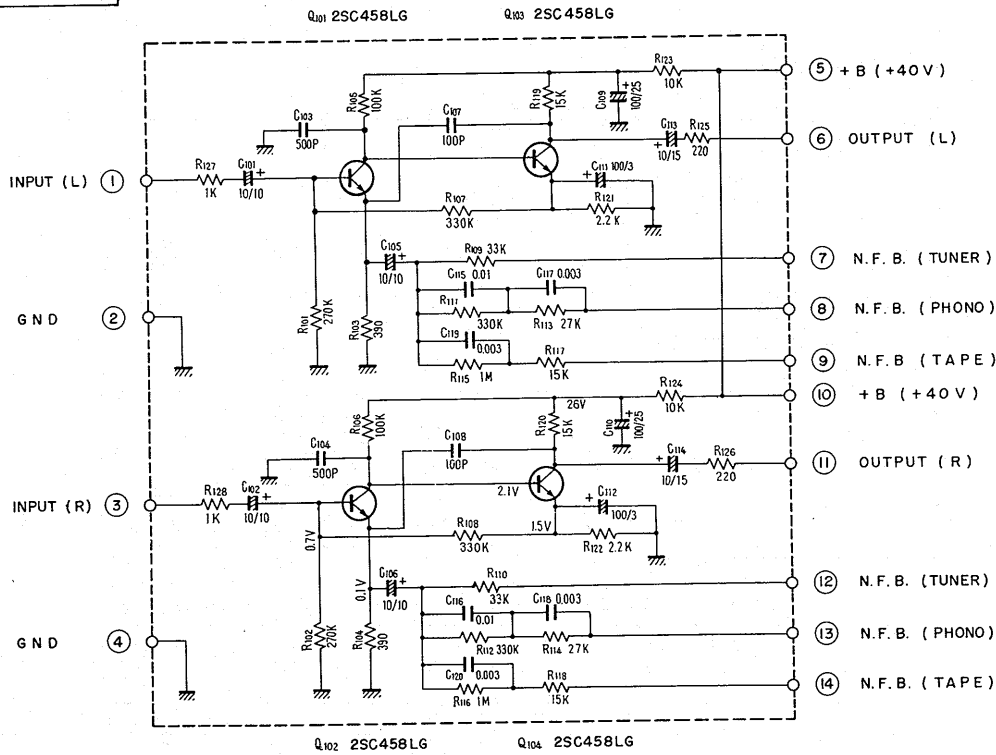
AM TUNER UNIT



HEAD AMP UNIT

HEAD AMP UNIT

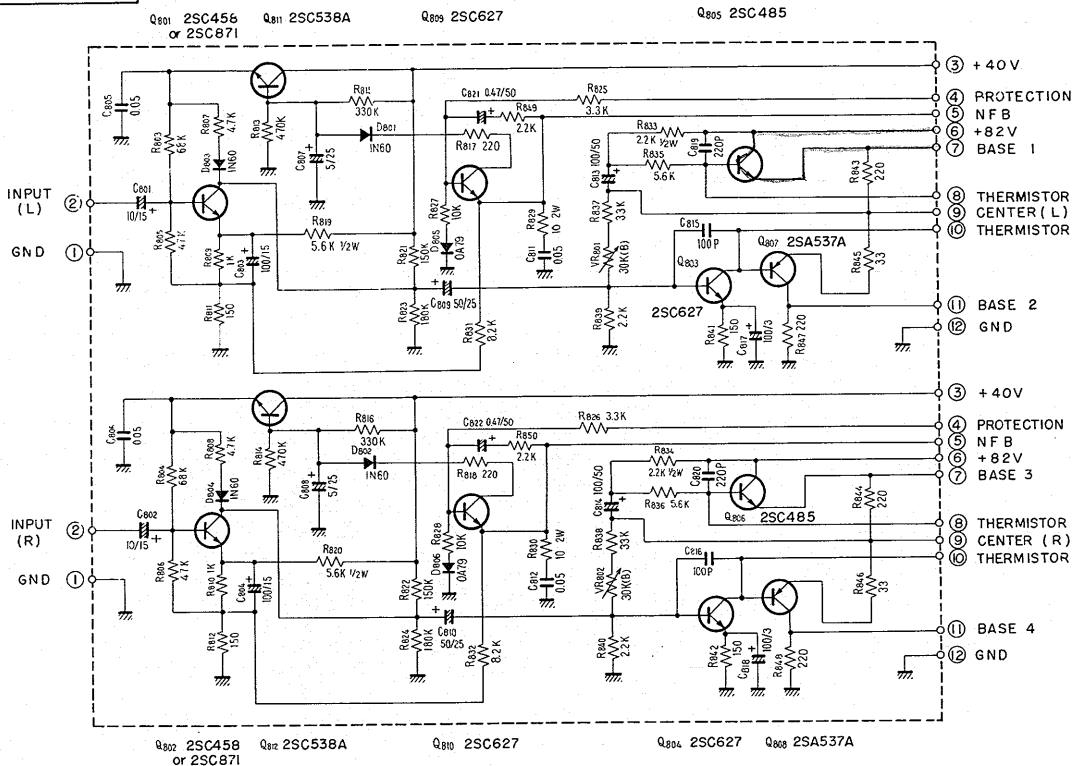
W15-089



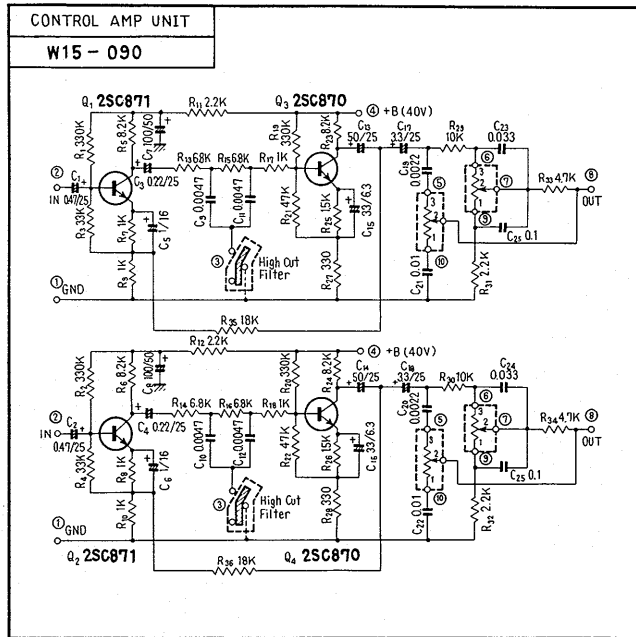
MAIN AMP UNIT

MAIN AMP UNIT

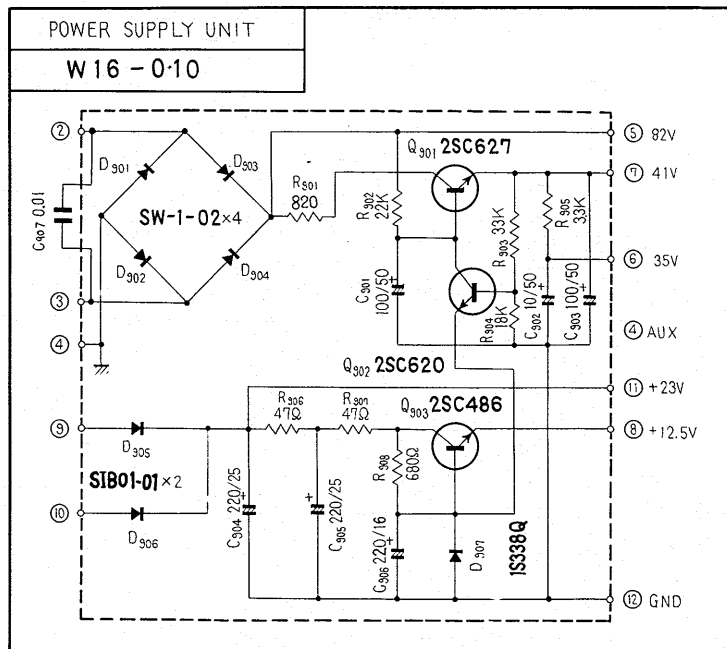
W15-091



CONTROL AMP UNIT



POWER SUPPLY UNIT



AM/FM STEREO RECEIVER SX-1500TD

UNIT \ ROUND LABEL	FVZW	FW	KLW			
TUNER UNIT						
FM FRONT END	AWB-001	W11-028	W11-028			
FM IF UNIT	W12-032	W12-032	W12-032			
MPX UNIT	W13-026	W13-026	W13-026			
AM TUNER UNIT	W14-008	W14-008	W14-008			
MUTING UNIT	W18-026	W18-026	W18-026			
HEAD AMP UNIT	W21-001	W21-001	W21-001			
CONTROL AMP UNIT	W15-079	W15-079	W15-079			
MAIN AMP UNIT	W23-002	W23-002	W23-002			
POWER SUPPLY UNIT	W16-026	W16-026	W16-026			
SWITCH UNIT	W15-081	W15-081	W15-081			
SWITCH UNIT	W15-082	W15-082	W15-082			
SWITCH UNIT						
TONE COLOR UNIT						
CONTROL UNIT	W15-080	W15-080	W15-080			
MIC AMP UNIT	W15-106	W15-106	W15-106			
REVERBE AMP UNIT						
REVERBE UNIT						
INDICATOR UNIT	W18-012	W18-012	W18-012			

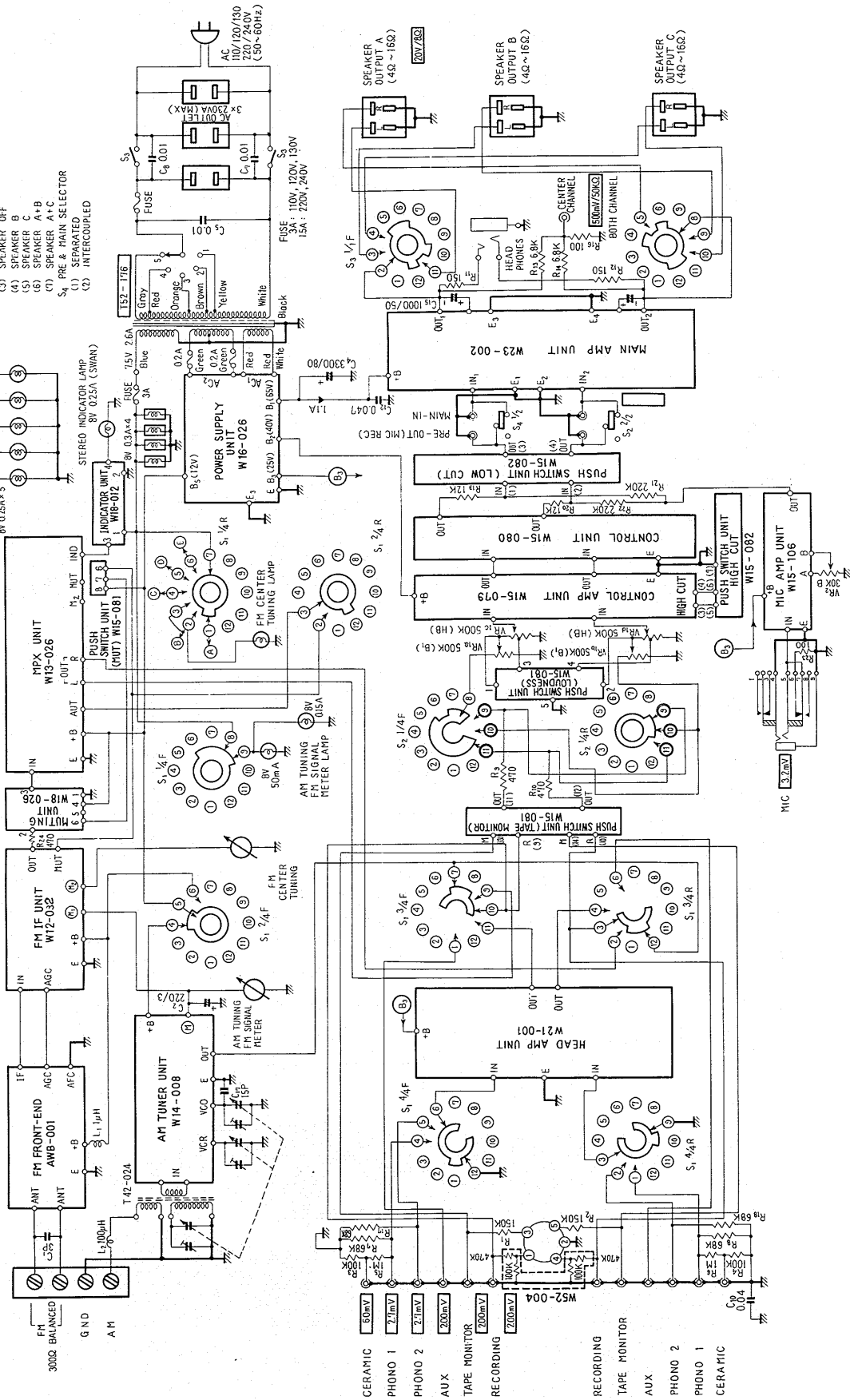


SX-1500TD

- S₁ INPUT SELECTOR**
 (1) AM (2) FM (3) FM AUTO (4) PHONO 1 (CERAMIC)
 (5) PHONO 2 (6) AUX

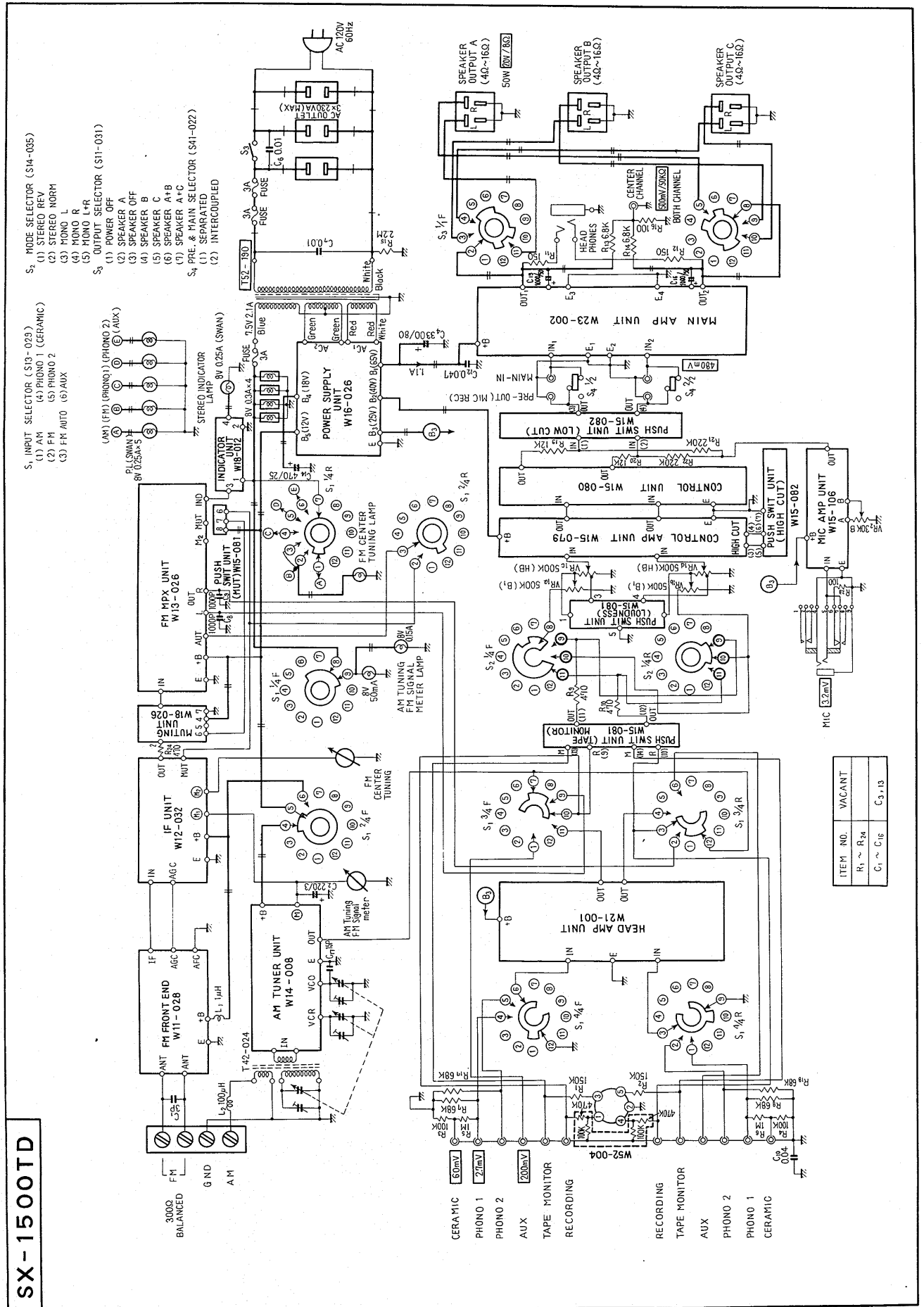
- S₂ MODE SELECTOR**
 (1) STEREO REV (2) STEREO NORM (3) MONO L (4) MONO R (5) MONO L+R
S₃ OUTPUT SELECTOR
 (1) POWER OFF (2) SPEAKER A (3) SPEAKER OFF (4) SPEAKER C (5) SPEAKER B (6) SPEAKER A+B (7) SPEAKER A+C
S₄ PRE & MAIN SELECTOR
 (1) SEPARATED (2) INTERCUPLED

- (AM) (FM) PHONO 1 (PHONO 2)
 (1) (2) (3) (4) (5) (6) (AUX)
 (1) (2) (3) (4) (5) (6) (AUX)
 (1) (2) (3) (4) (5) (6) (AUX)

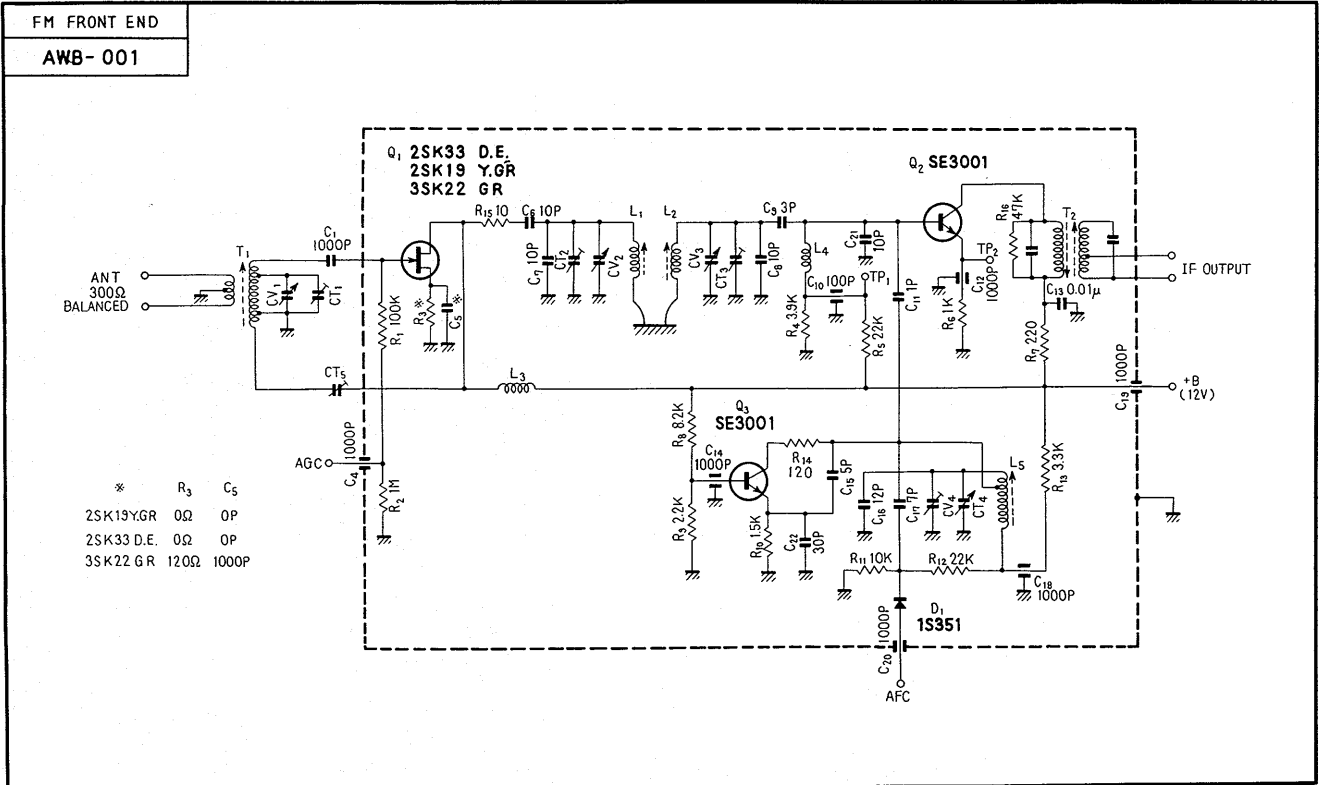


- W52-004**
 CERAMIC 50mV
 PHONO 1 2.7mV
 PHONO 2 2.7mV
 AUX 200mV
 TAPE MONITOR 200mV
 RECORDING 200mV
 RECORDING TAPE MONITOR
 AUX
 PHONO 2
 PHONO 1
 CERAMIC

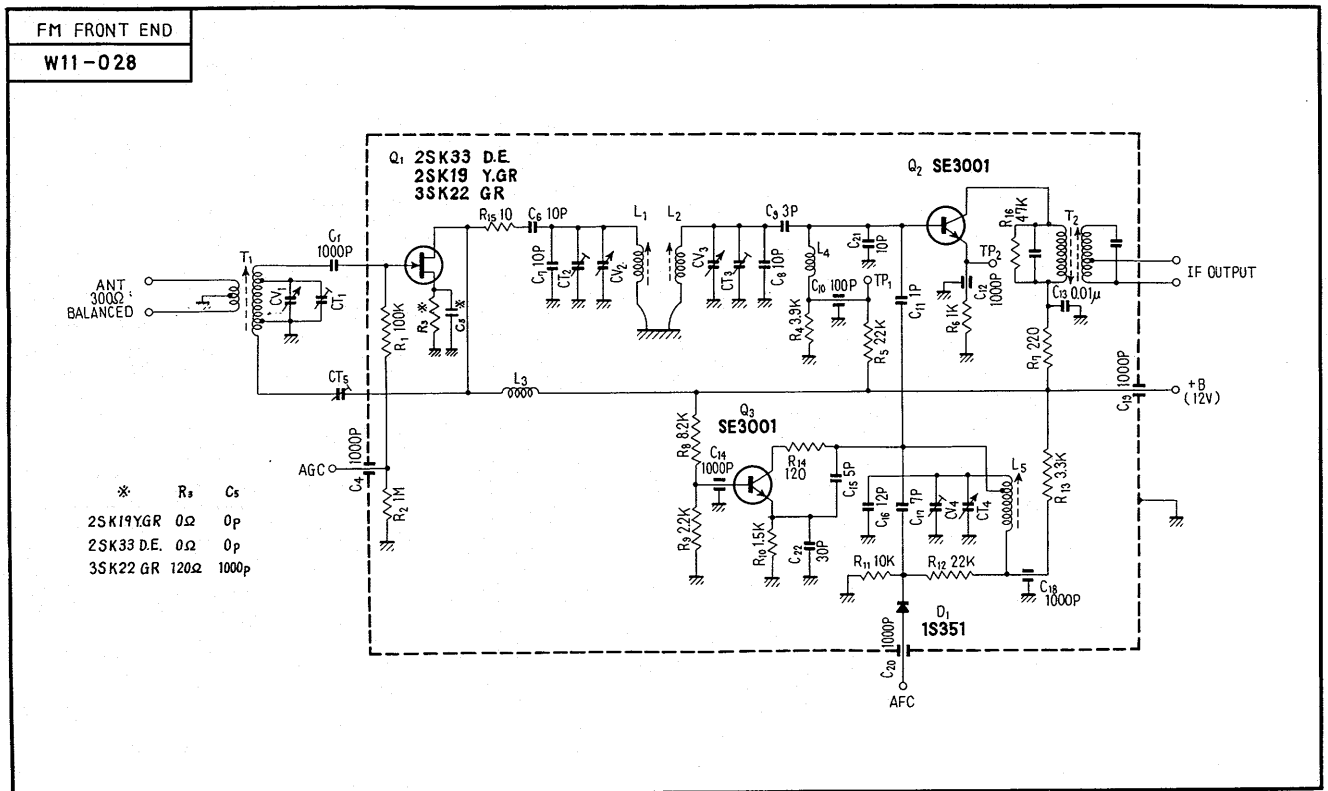
SX-1500TD for KLV model



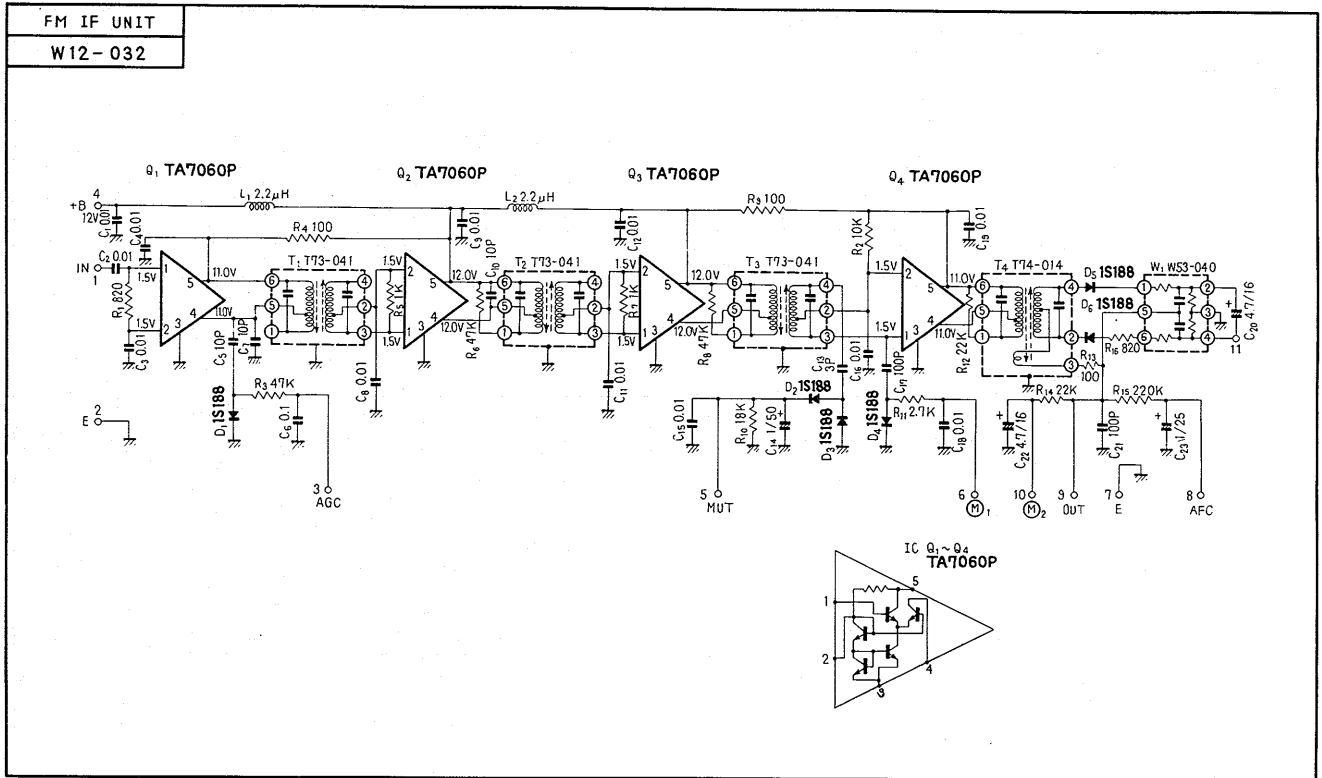
FM FRONT END



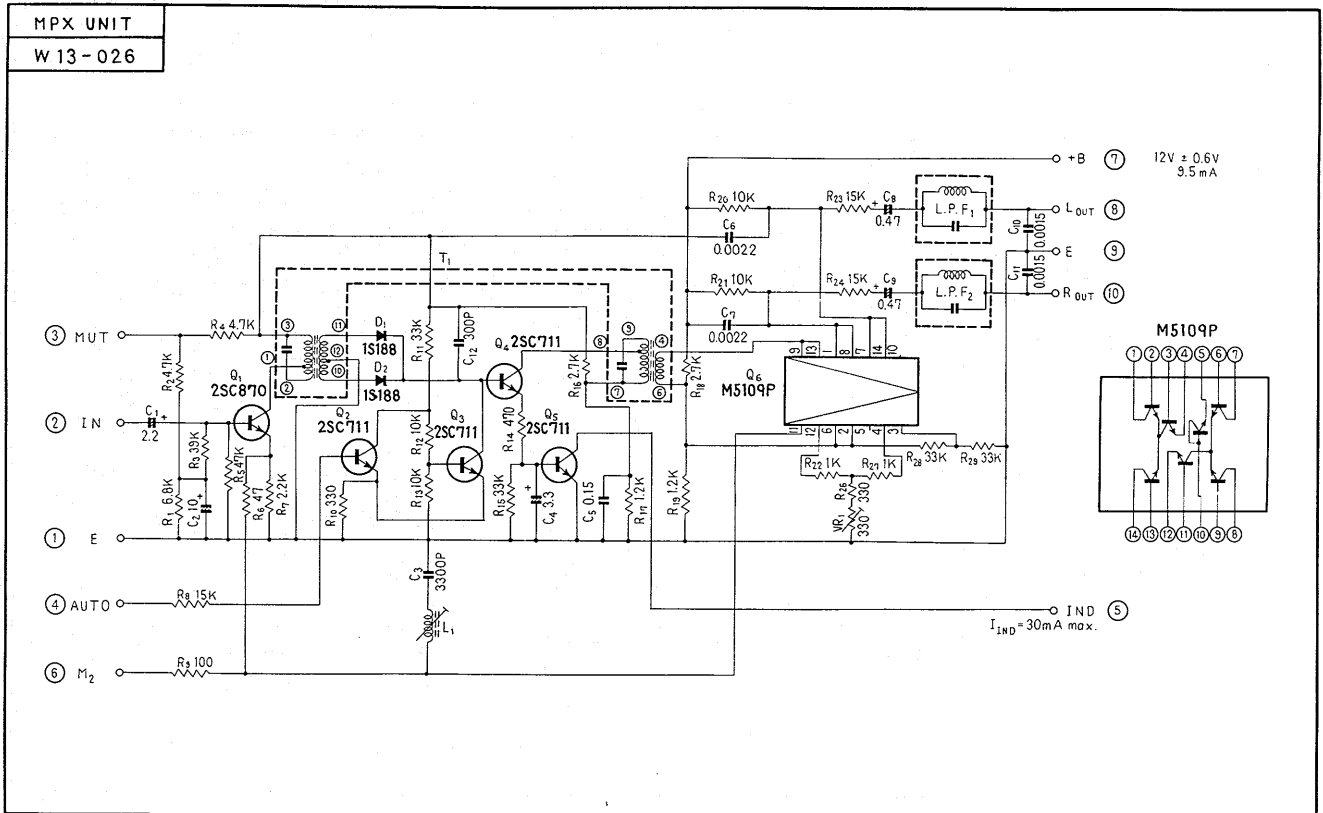
FM FRONT END for FW KLV model



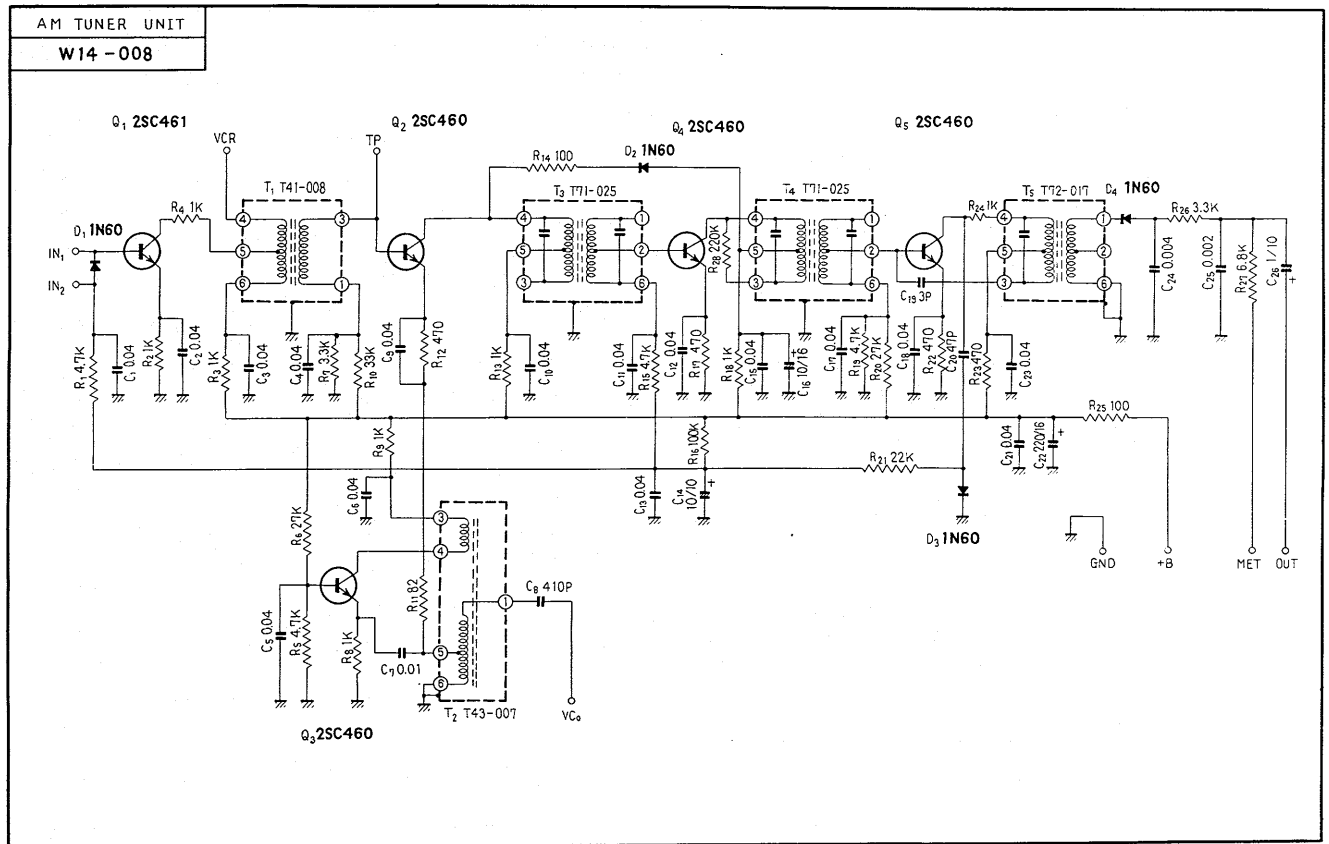
FM IF UNIT



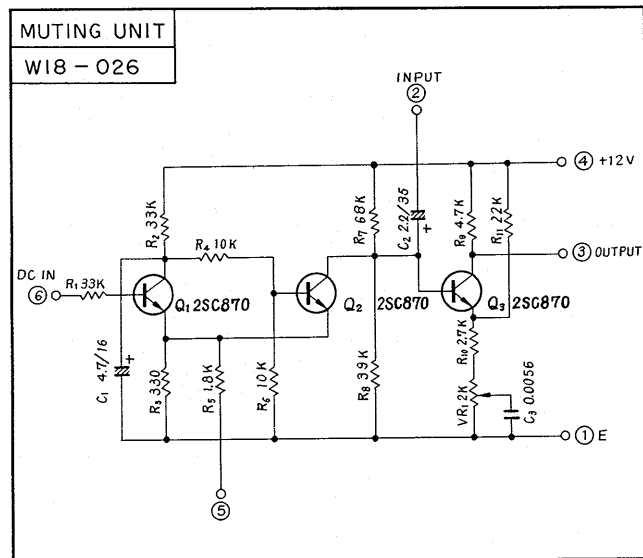
MPX UNIT



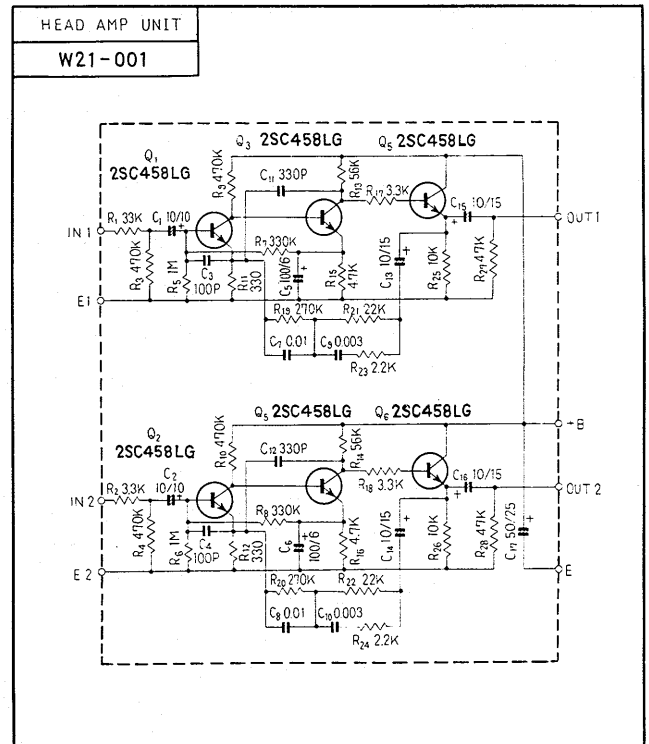
AM TUNER UNIT



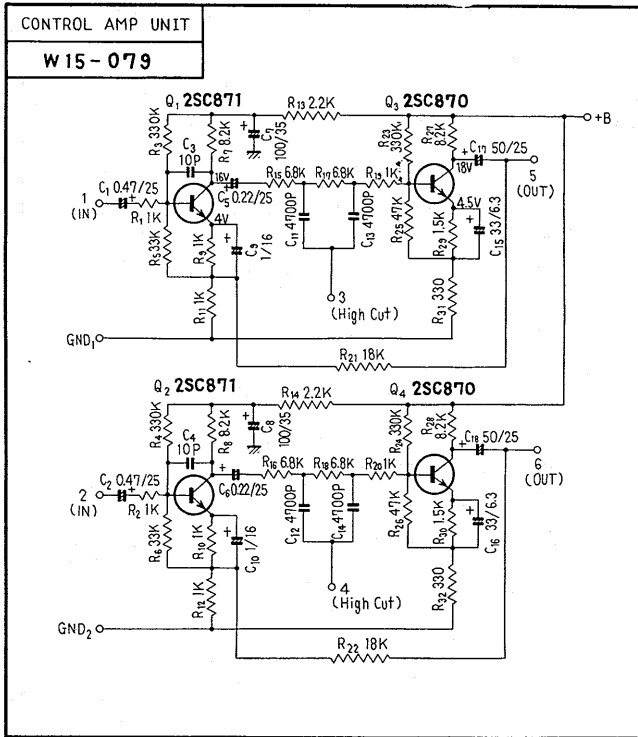
MUTING UNIT



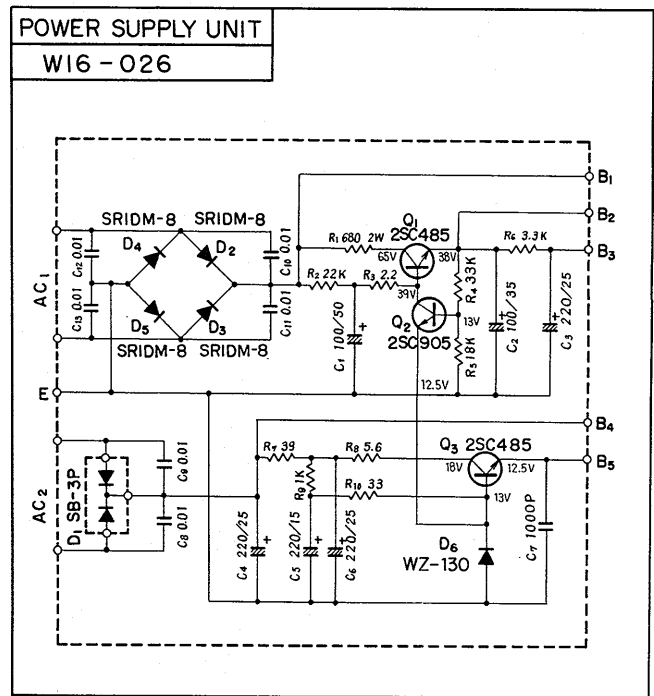
HEAD AMP UNIT



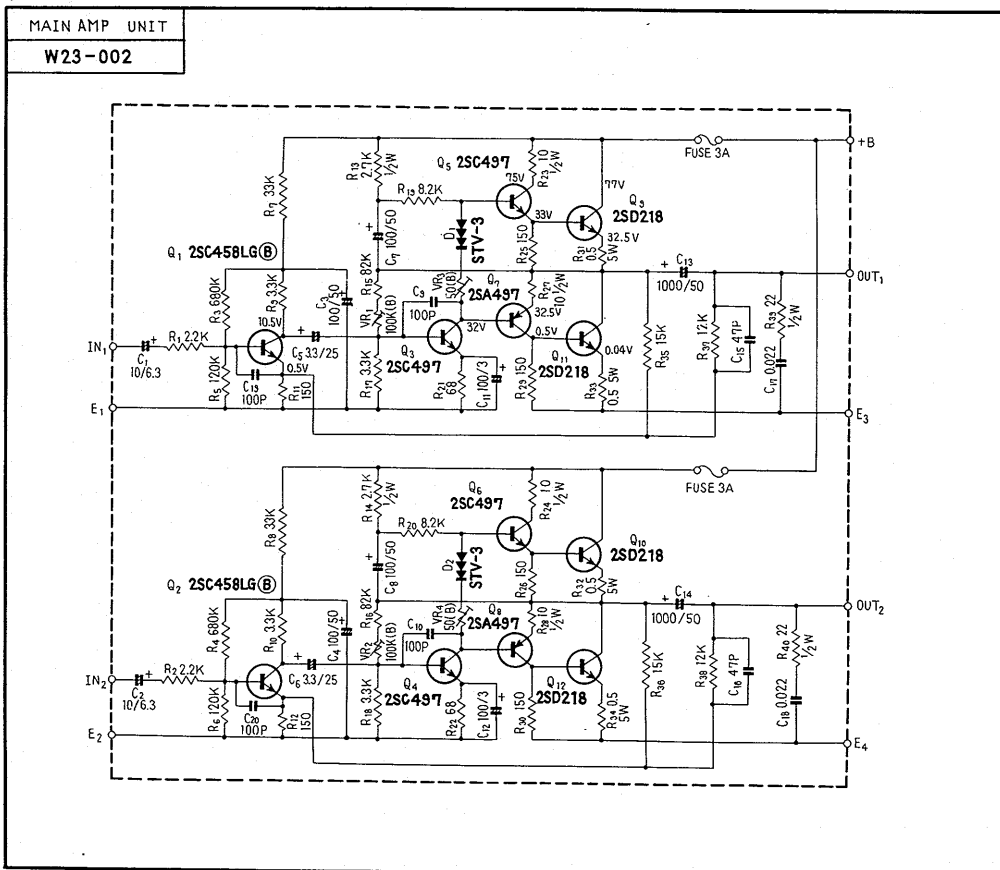
CONTROL AMP UNIT



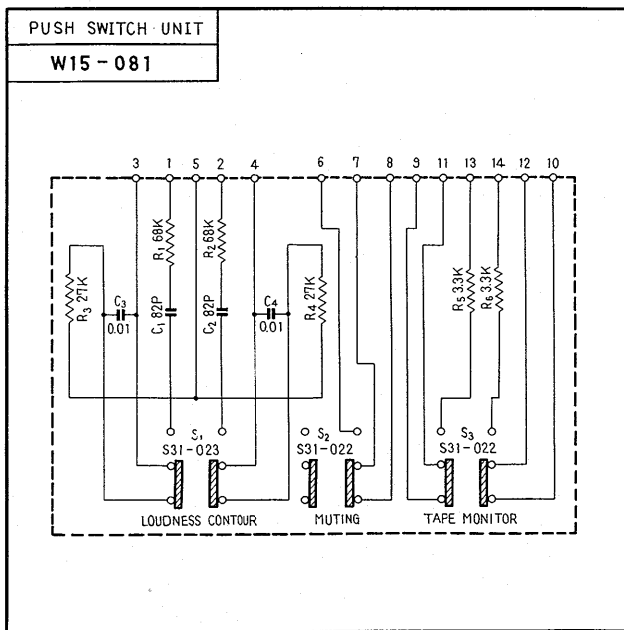
POWER SUPPLY UNIT



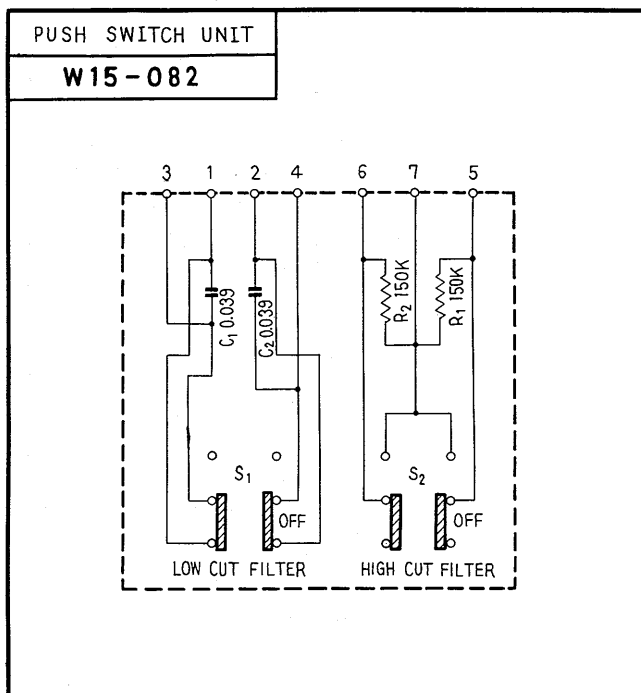
MAIN AMP UNIT



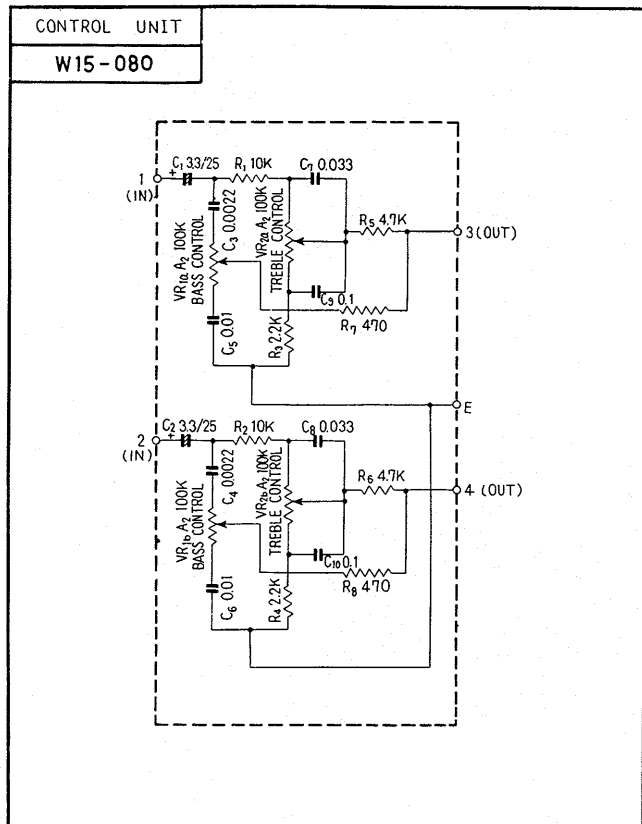
PUSH SWITCH UNIT



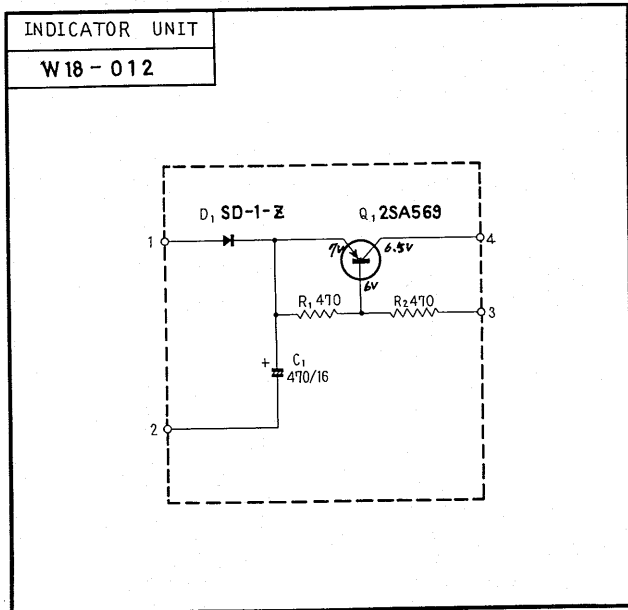
PUSH SWITCH UNIT



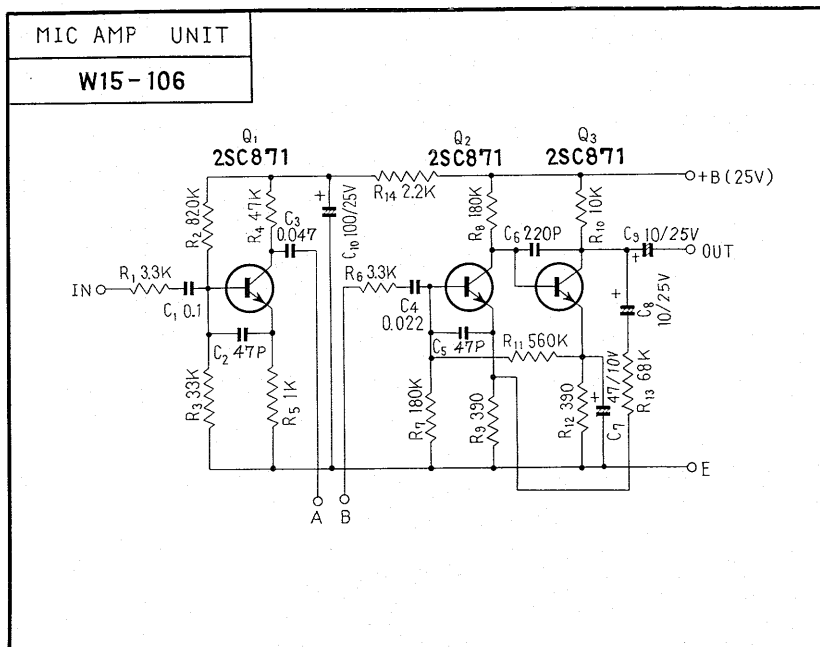
CONTROL UNIT



INDICATOR UNIT



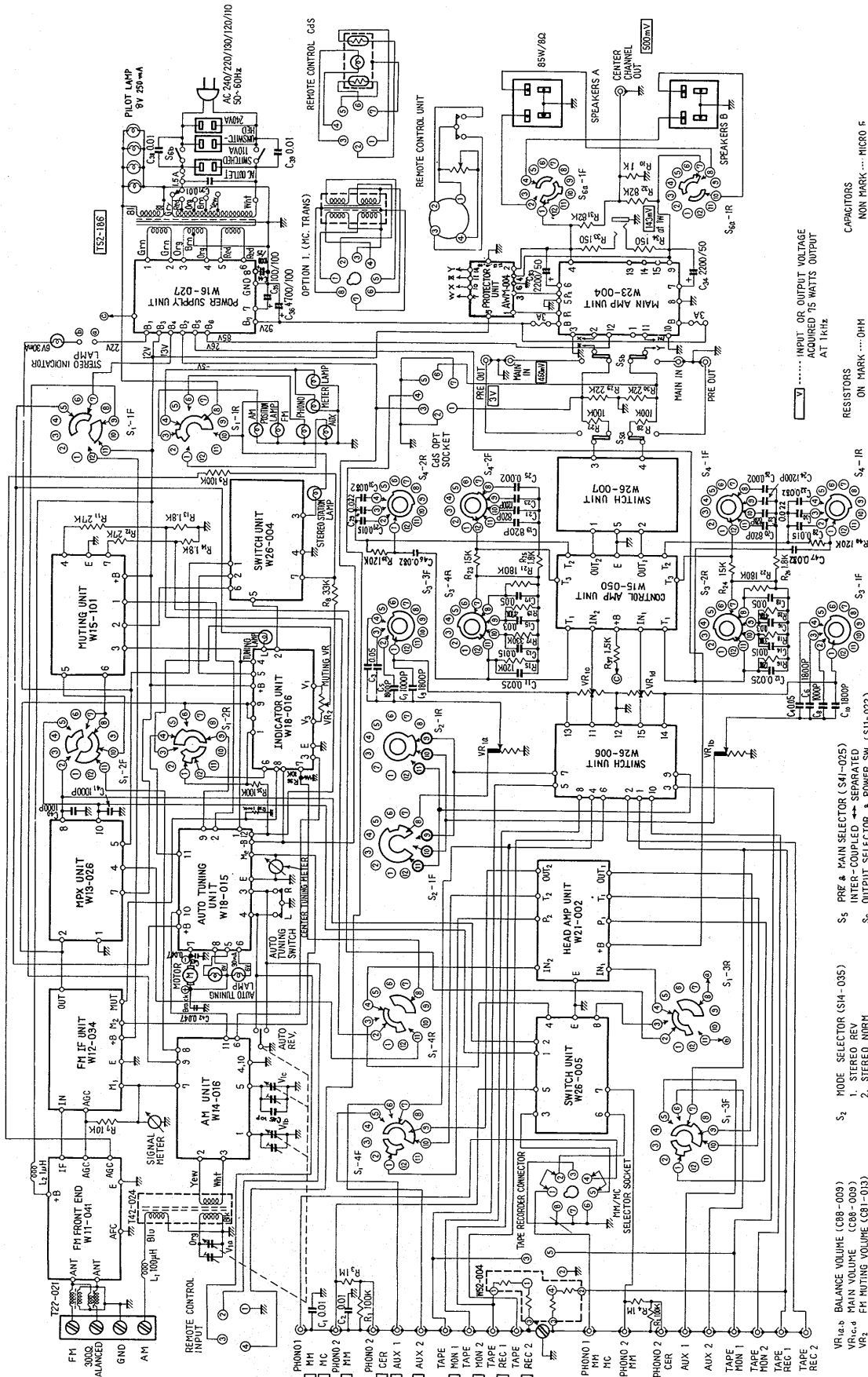
MIC AMP UNIT



AM/FM STEREO RECEIVER SX-2500

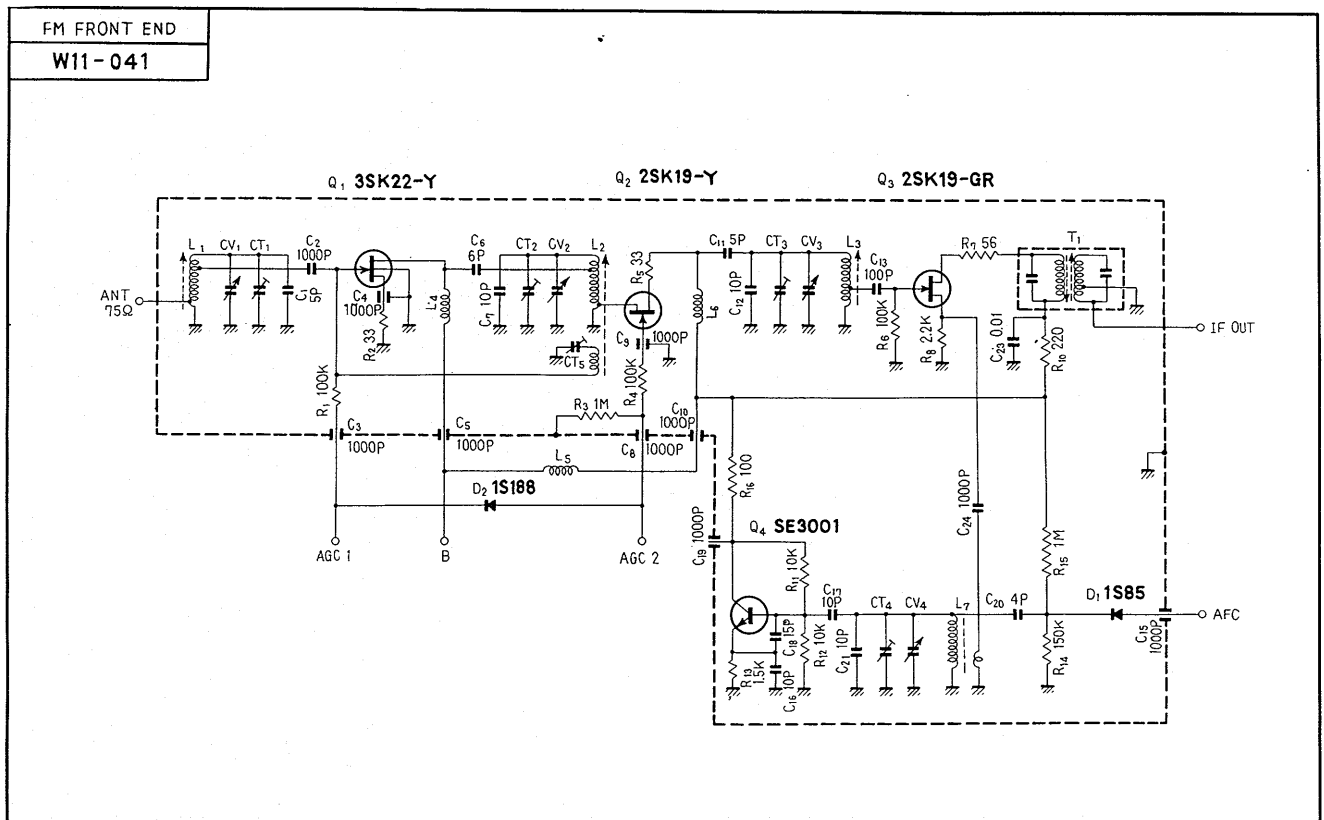
ROUND LABEL UNIT	FWW	FVZW				
FM FRONT END	W11-041	W11-041				
FM IF UNIT	W12-034	W12-034				
MPX UNIT	W13-026	W13-026				
AM TUNER UNIT	W14-016	W14-016				
MUTING UNIT	W15-101	W15-101				
HEAD AMP UNIT	W21-002	W21-002				
CONTROL AMP UNIT	W15-050	W15-050				
MAIN AMP UNIT	W23-004	W23-004				
POWER SUPPLY UNIT	W16-027	W16-027				
SWITCH UNIT	W26-004	W26-004				
SWITCH UNIT	W26-005	W26-005				
SWITCH UNIT	W26-006	W26-006				
SWITCH UNIT	W26-007	W26-007				
CONTROL UNIT						
AUTO TUNING UNIT	W18-015	W18-015				
PROTECTOR UNIT	AWM-004	AWM-004				
REVERBE UNIT						
INDICATOR UNIT	W18-016	W18-016				



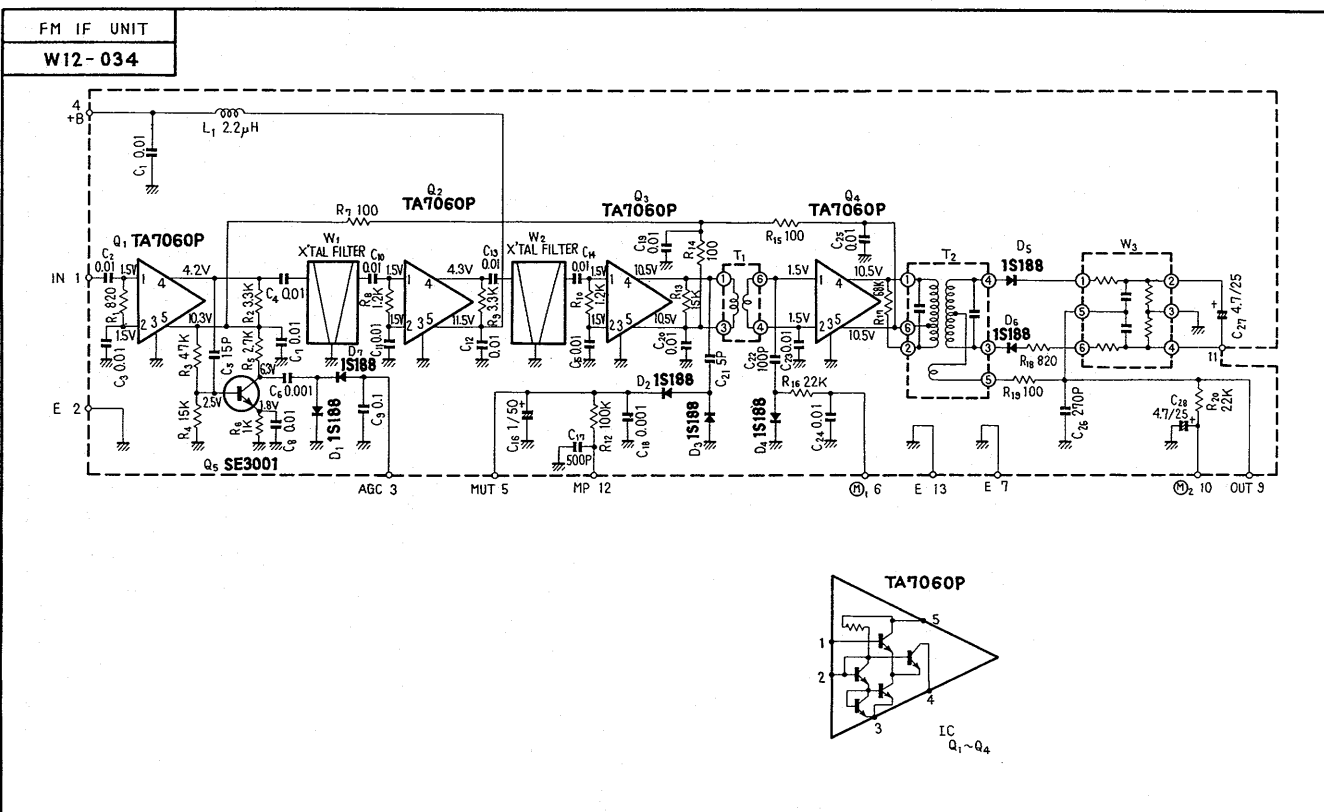


- VR1a,b** BALANCE VOLUME (C88-008)
VR1c,d MAIN VOLUME (C88-009)
VR2 FM MUTING VOLUME (C81-013)
S1 INPUT SELECTOR (S13-039)
- S2** MODE SELECTOR (S14-035)
 1. STEREO REV
 2. STEREO NORM
 3. MONO L
 4. MONO R
 5. L+R
S3 TONE (BASS) CONT SW (S16-054)
 -5dB ~ +12dB
S4 TONE (TREBLE) CONT SW (S16-046)
 -12dB ~ +3dB
- S5** PRE & MAIN SELECTOR (S11-025)
 INTER-COUPLED ↔ SEPARATED
S6 OUTPUT SELECTOR & POWER SW (S11-022)
 1. POWER OFF
 2. SPEAKER A
 3. SPEAKER B
 5. SPEAKER A+B
- S3-IF** DC CURRENT
S4-IF AT NO SIGNAL INPUT
S1-IF AT 15 WATTS OUTPUT
S2-IF DC VOLTAGE
S1-IR AT NO SIGNAL INPUT
S2-IR AT 15 WATTS OUTPUT
- RESISTORS**
 ON MARK OHM
 M MEGOHM
 K KILOHM
- CAPACITORS**
 NON MARK MICRO F
 P PICO F
- V** INPUT OR OUTPUT VOLTAGE
AT 1kHz
ACQUIRED 15 WATTS OUTPUT

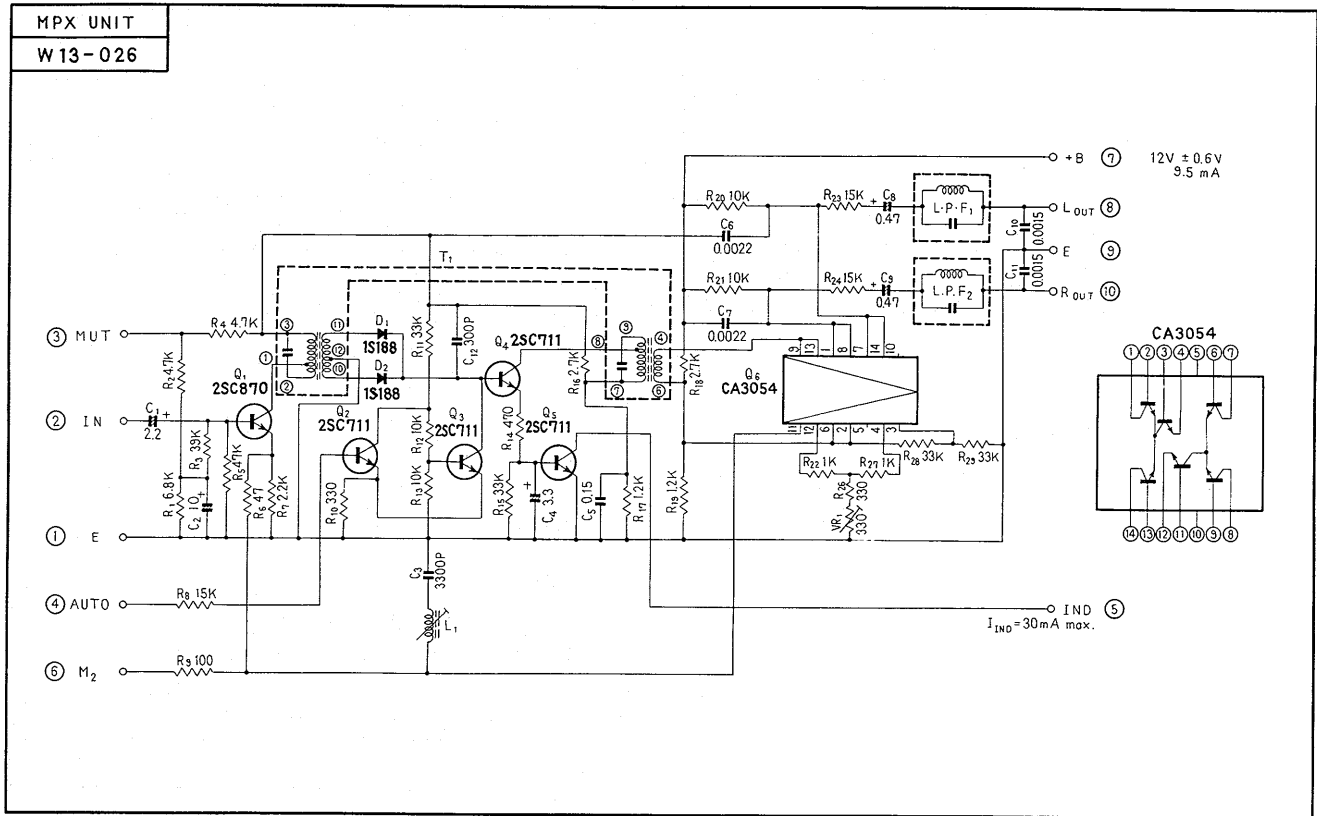
FM FRONT END



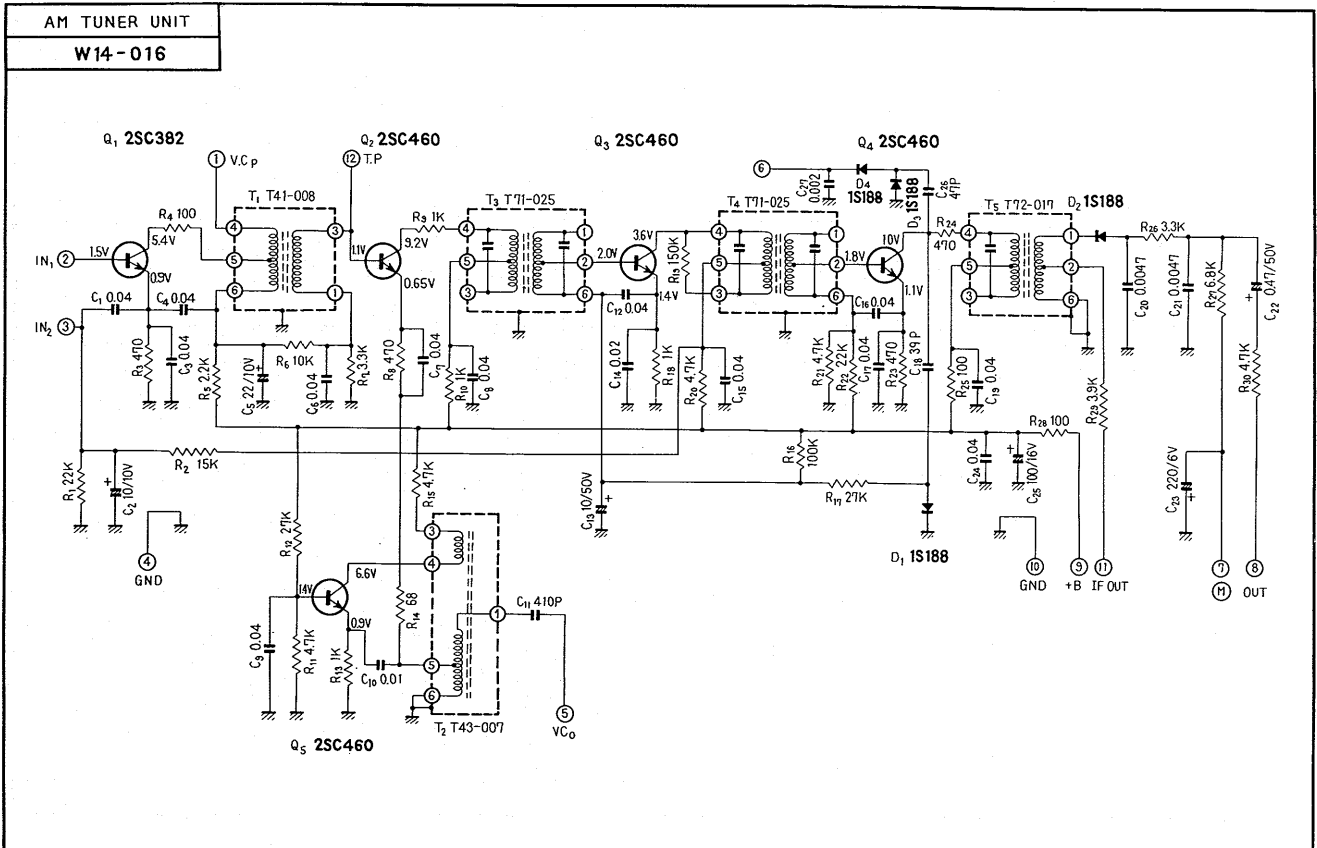
FM IF UNIT



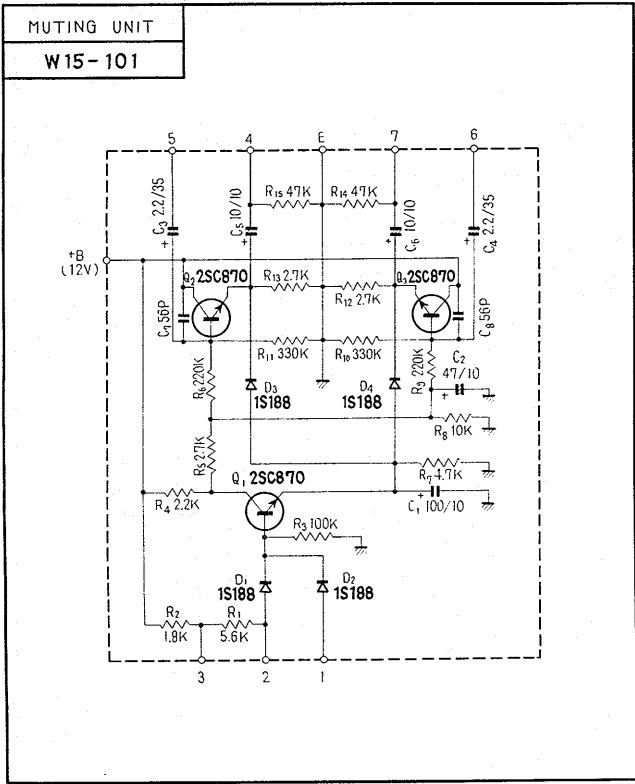
MPX UNIT



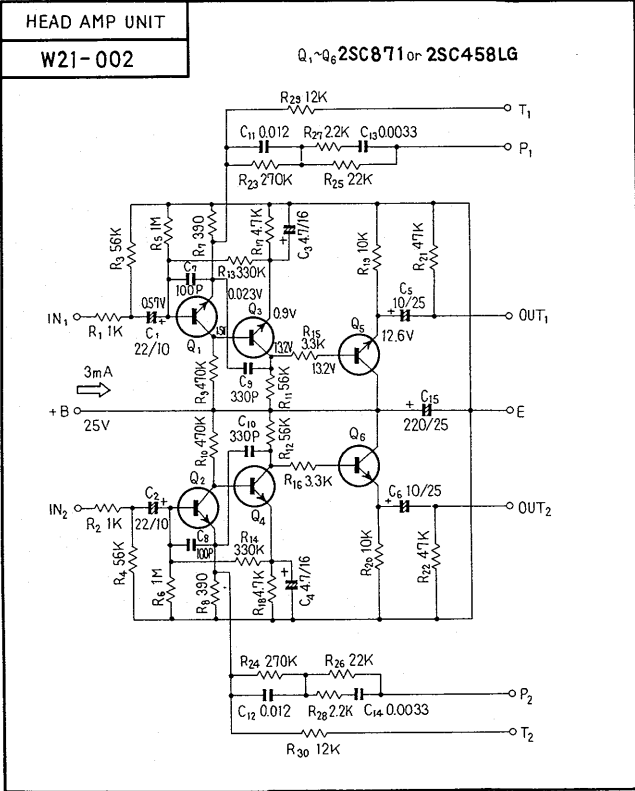
AM TUNER UNIT



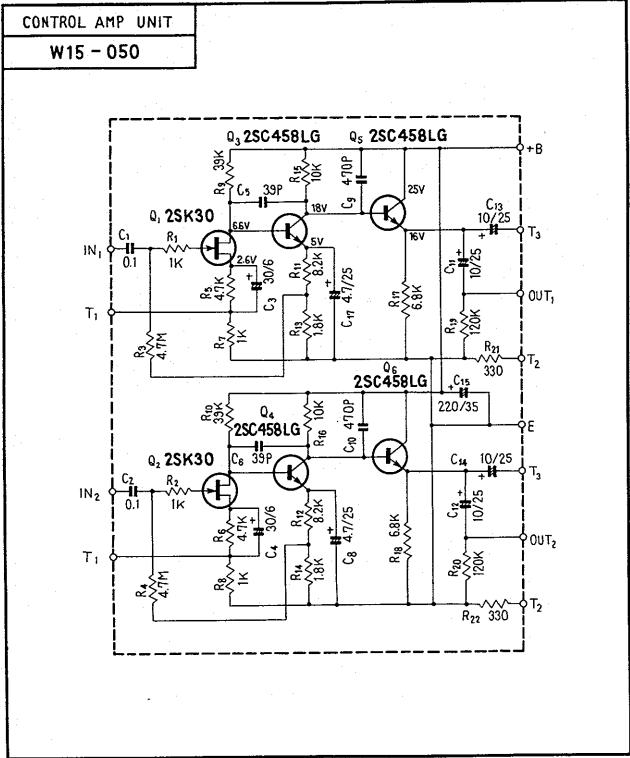
MUTING UNIT



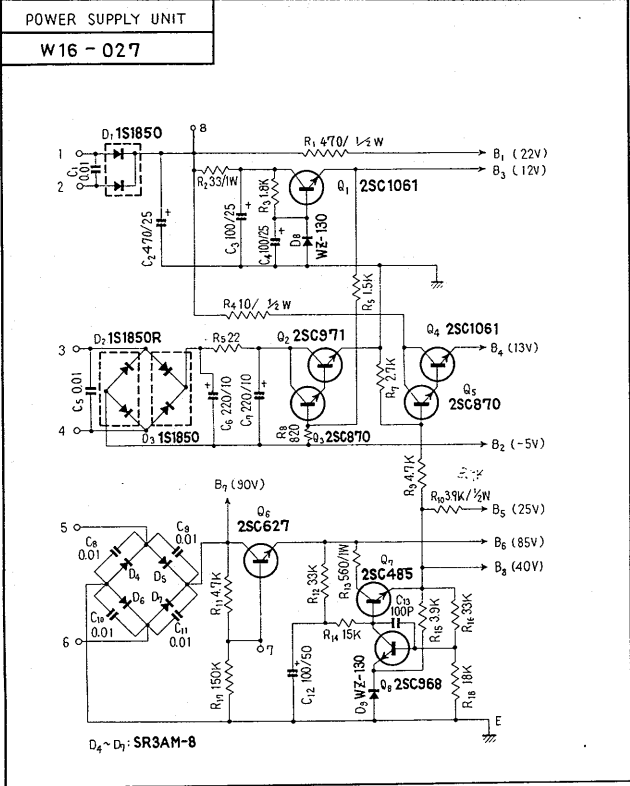
HEAD AMP UNIT



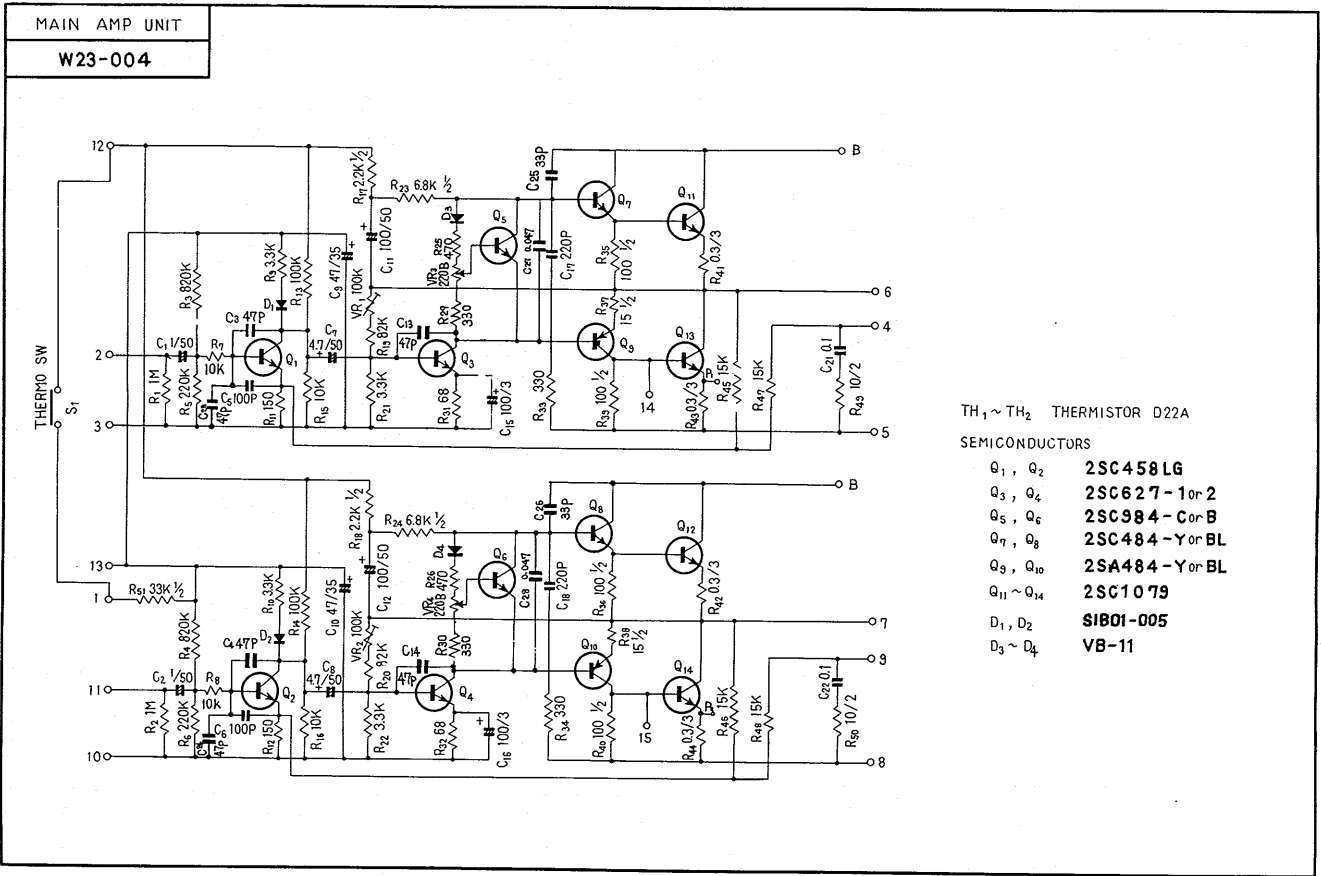
CONTROL AMP UNIT



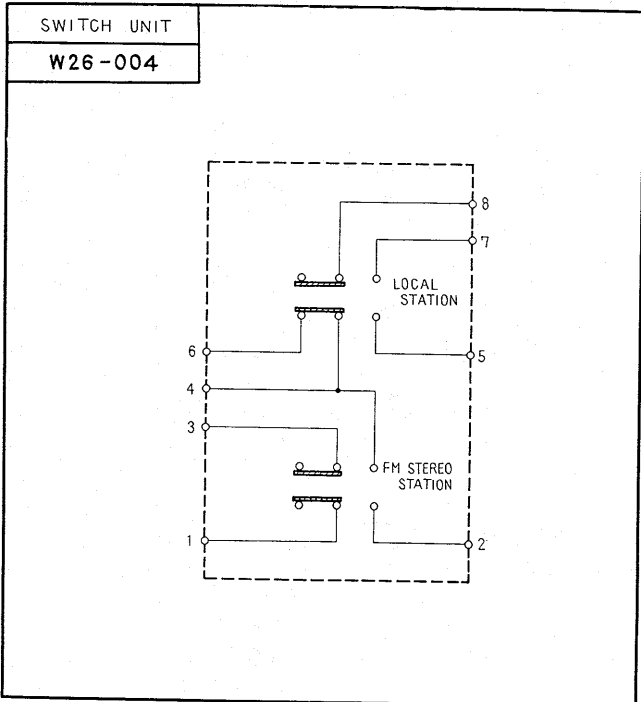
POWER SUPPLY UNIT



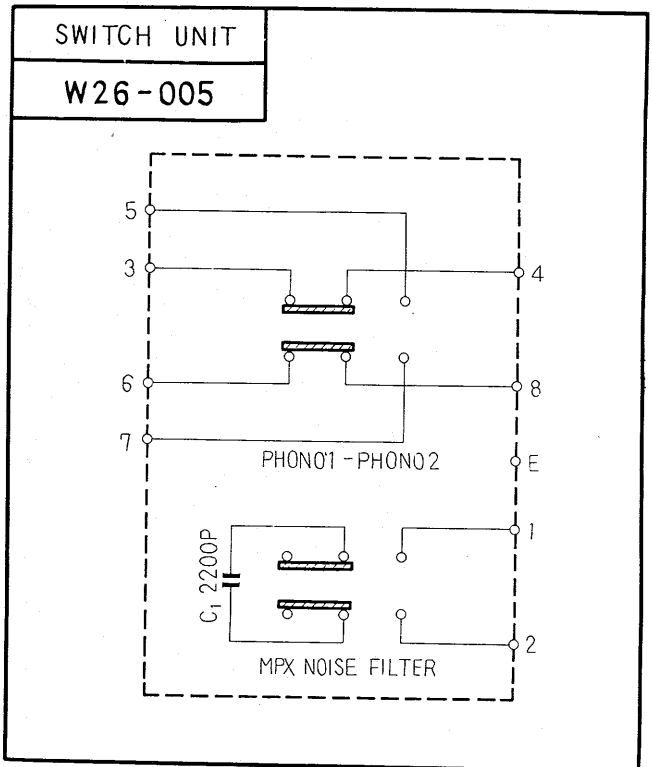
MAIN AMP UNIT



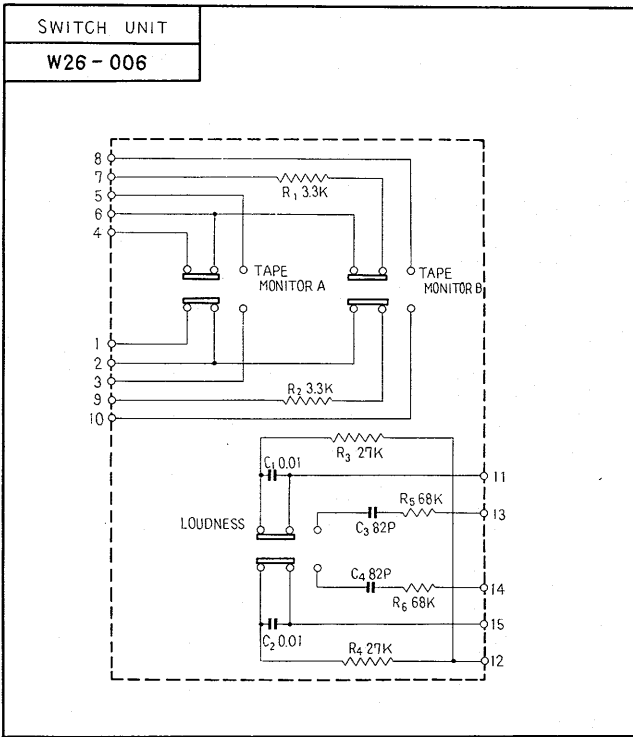
SWITCH UNIT



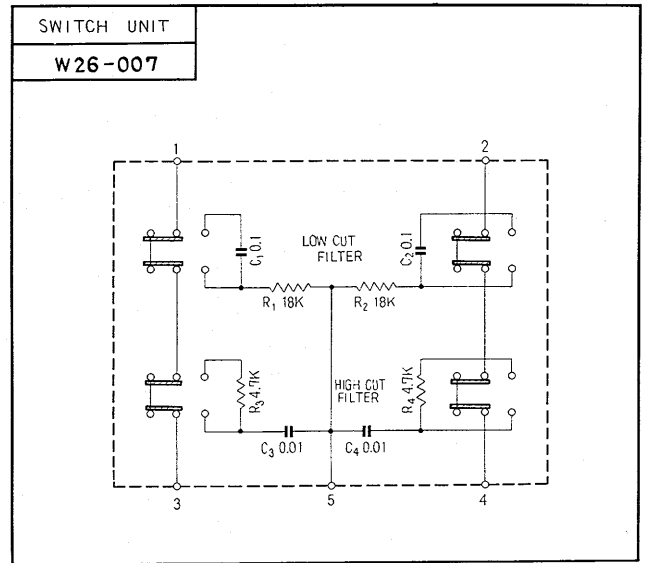
SWITCH UNIT



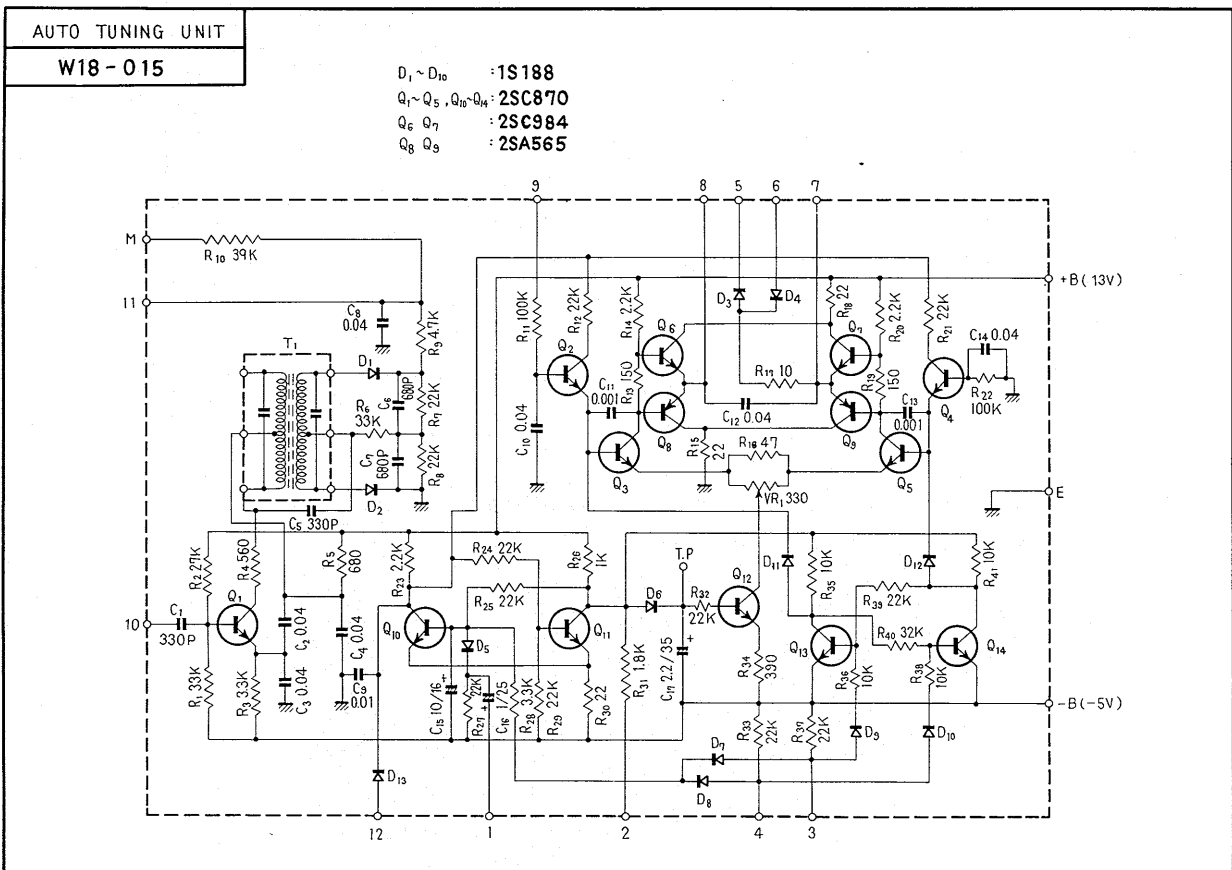
SWITCH UNIT



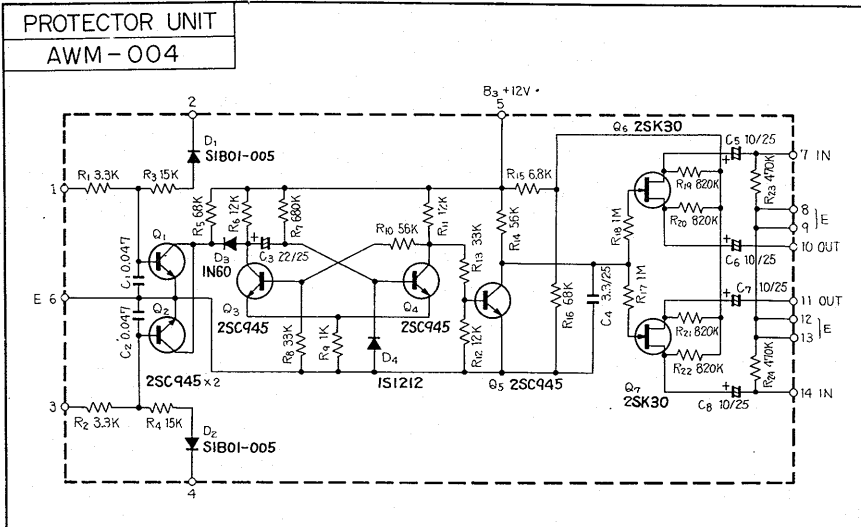
SWITCH UNIT



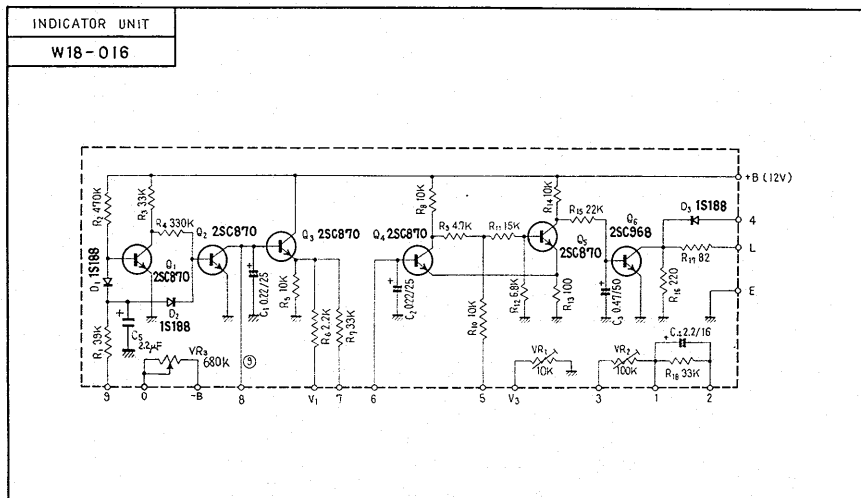
AUTO TUNING UNIT



PROTECTOR UNIT



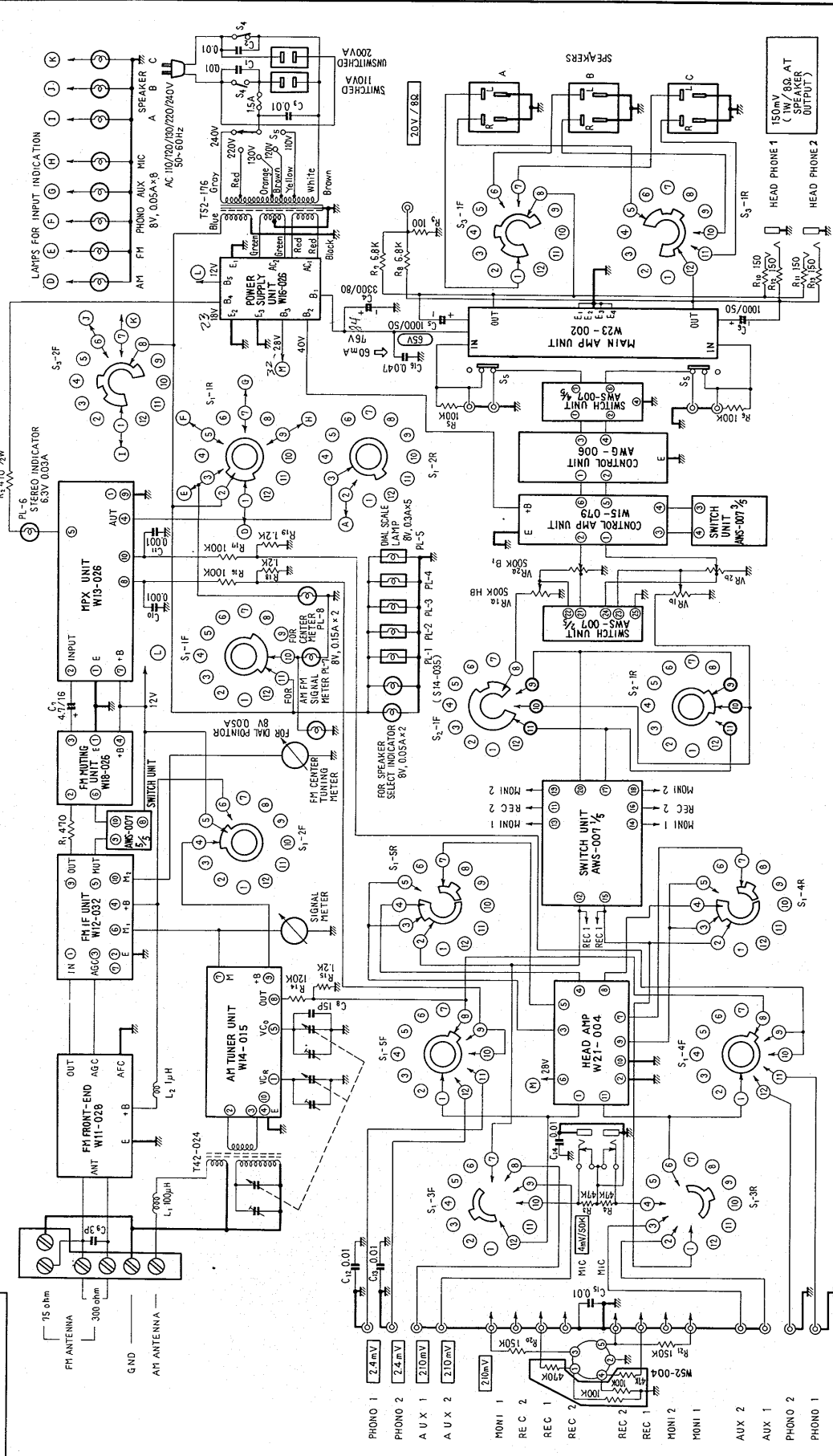
INDICATOR UNIT



AM/FM STEREO RECEIVER SX-6000

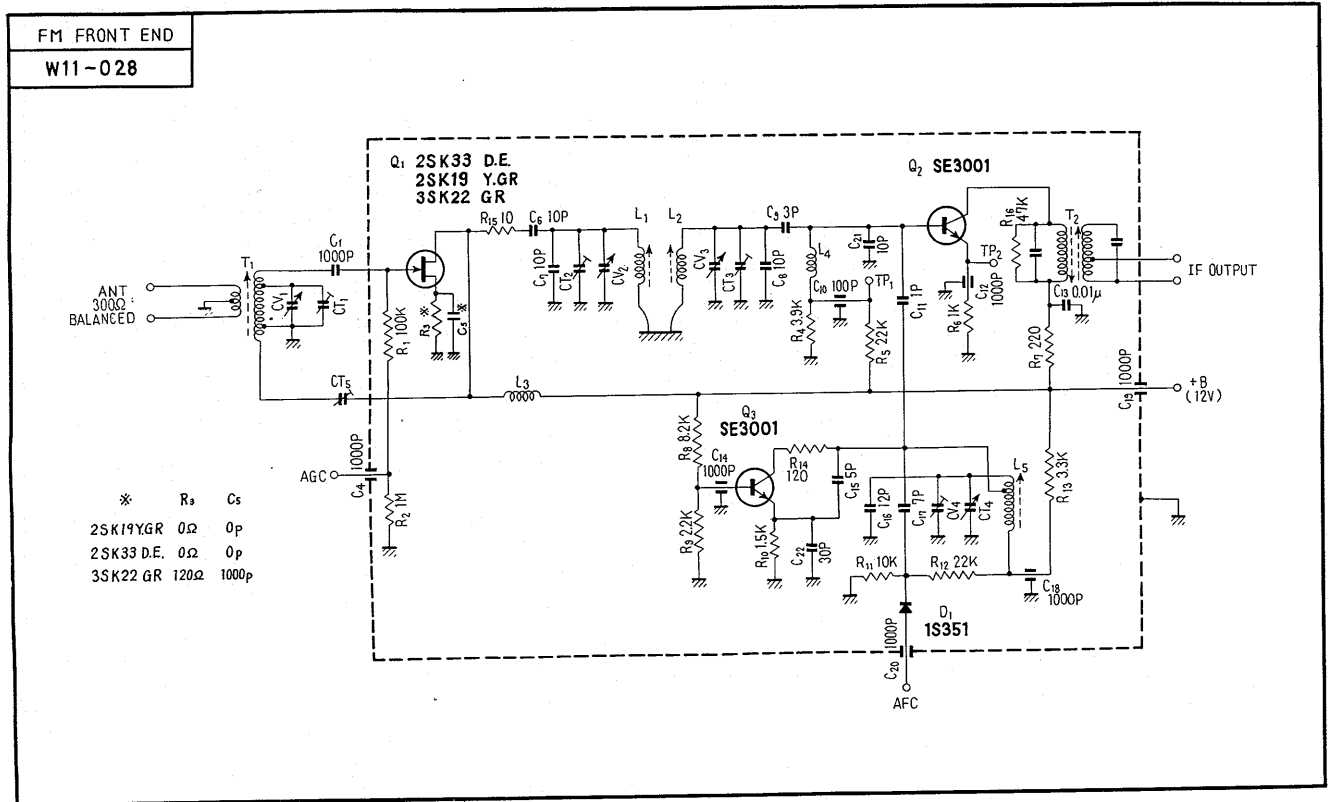
ROUND LABEL UNIT	FW					
FM FRONT END	W11-028					
FM IF UNIT	W12-032					
MPX UNIT	W13-026					
AM TUNER UNIT	W14-015					
MUTING UNIT	W18-026					
HEAD AMP UNIT	W21-004					
CONTROL AMP UNIT	W15-079					
MAIN AMP UNIT	W23-002					
POWER SUPPLY UNIT	W16-026					
SWITCH UNIT	AWS-007					
SWITCH UNIT						
SWITCH UNIT						
TONE COLOR UNIT						
CONTROL UNIT	AWG-006					
MIC AMP UNIT						
REVERBE AMP UNIT						
REVERBE UNIT						



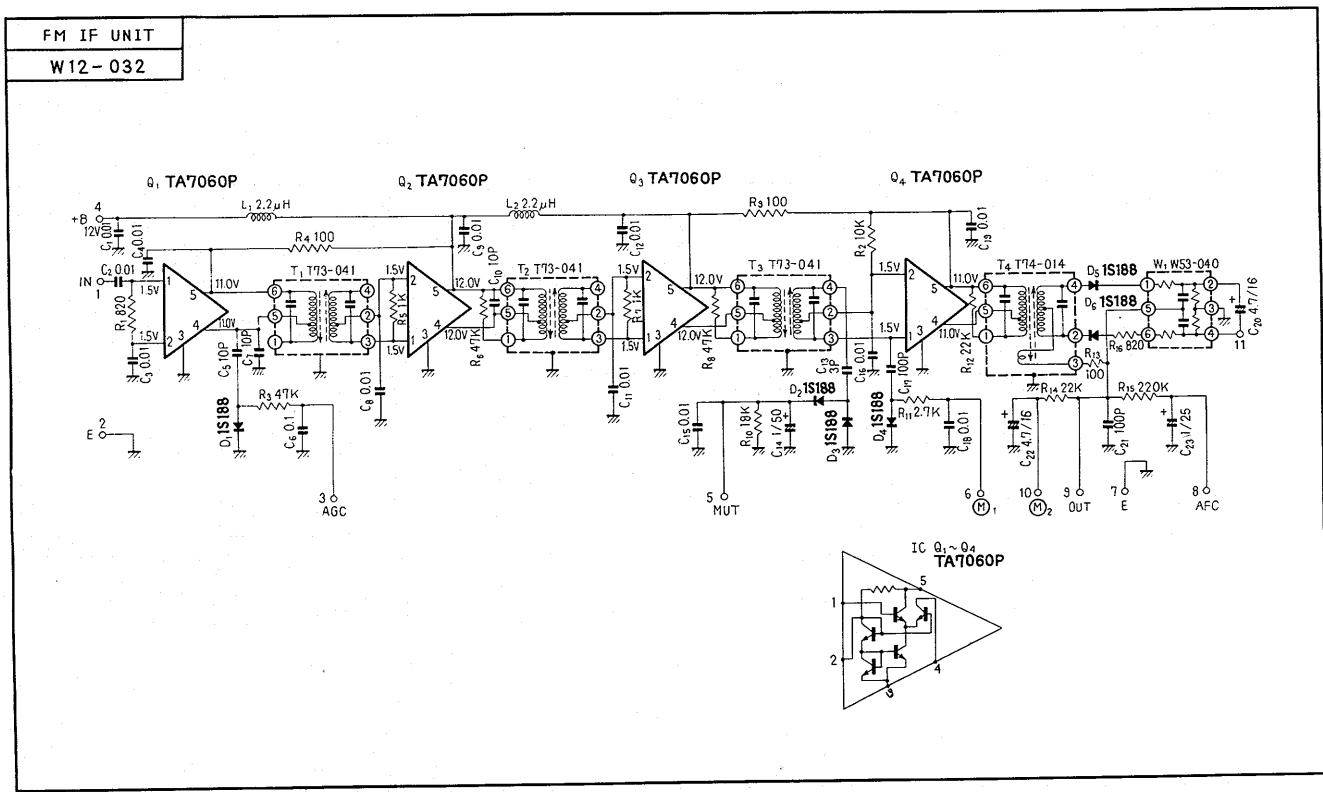


- S₁ INPUT SELECTOR**
 1) AM
 2) FM MONO
 3) FM AUTO
 4) PHONO 1
 5) PHONO 2
 6) AUX 1
 7) AUX 2
 8) MIC
- S₂ MODE SELECTOR**
 1) STEREO REVERSE
 2) STEREO NORMAL
 3) MONO R
 4) MONO L
 5) MONO L-R
- S₃ SPEAKER SELECTOR**
 1) SPEAKER A
 2) SPEAKER OFF
 3) SPEAKER B
 4) SPEAKER C
 5) SPEAKER A+B
 6) SPEAKER B+C
- S₄ POWER SWITCH**
 PRE & MAIN SELECTOR
 1) INTERCOUPLED
 2) SEPARATED
- S₅ SUPPLY VOLTAGE SELECTOR**
 1) 240V
 2) 220V
 3) 130V
 4) 120V
 5) 110V
- Legend:**
 ◁ : DC CURRENT AT NO INPUT SIGNAL
 V : DC VOLTAGE AT NO INPUT SIGNAL
 ⊕ : DC VOLTAGE AT MAXIMUM INPUT SIGNAL
 ⊖ : SIGNAL VOLTAGE AT 20W/8Ω SPEAKER OUTPUT

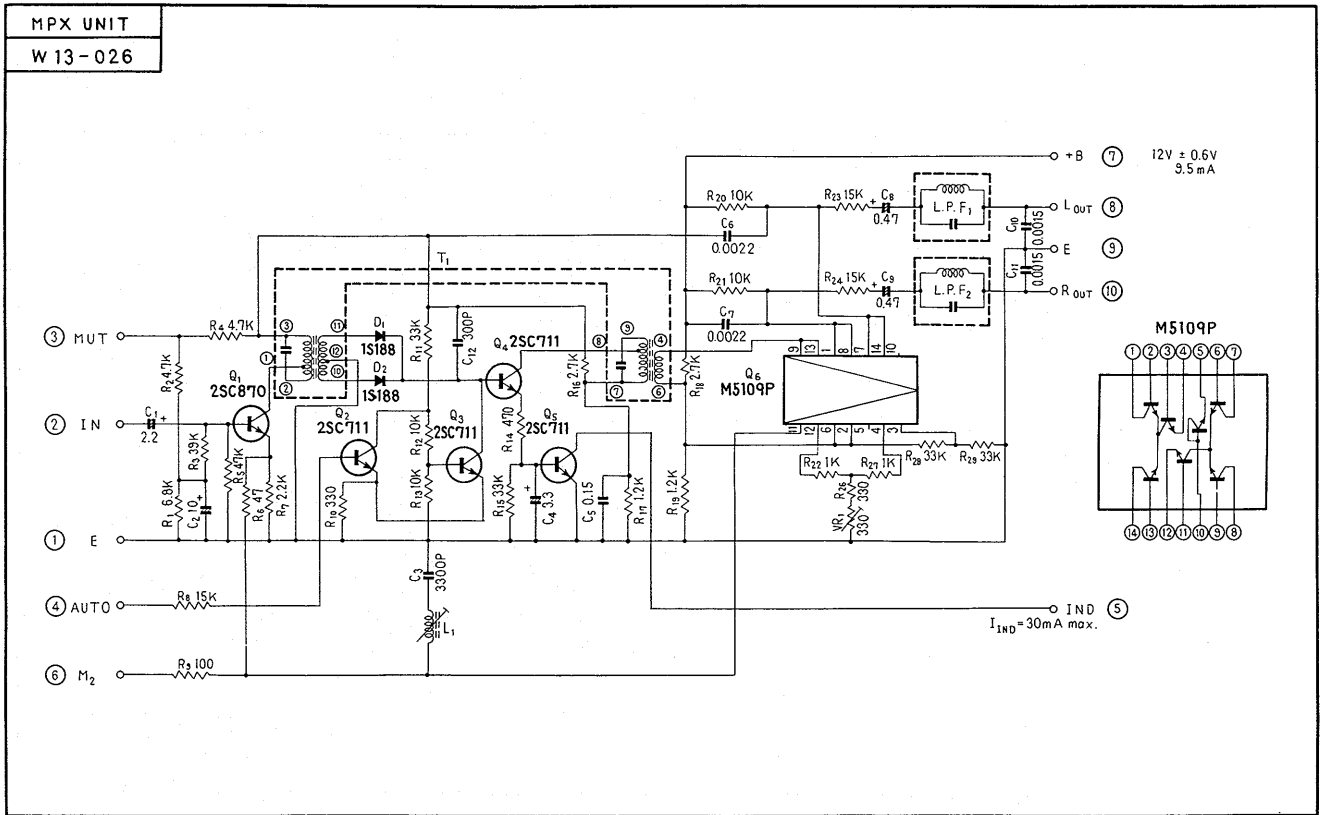
FM FRONT END



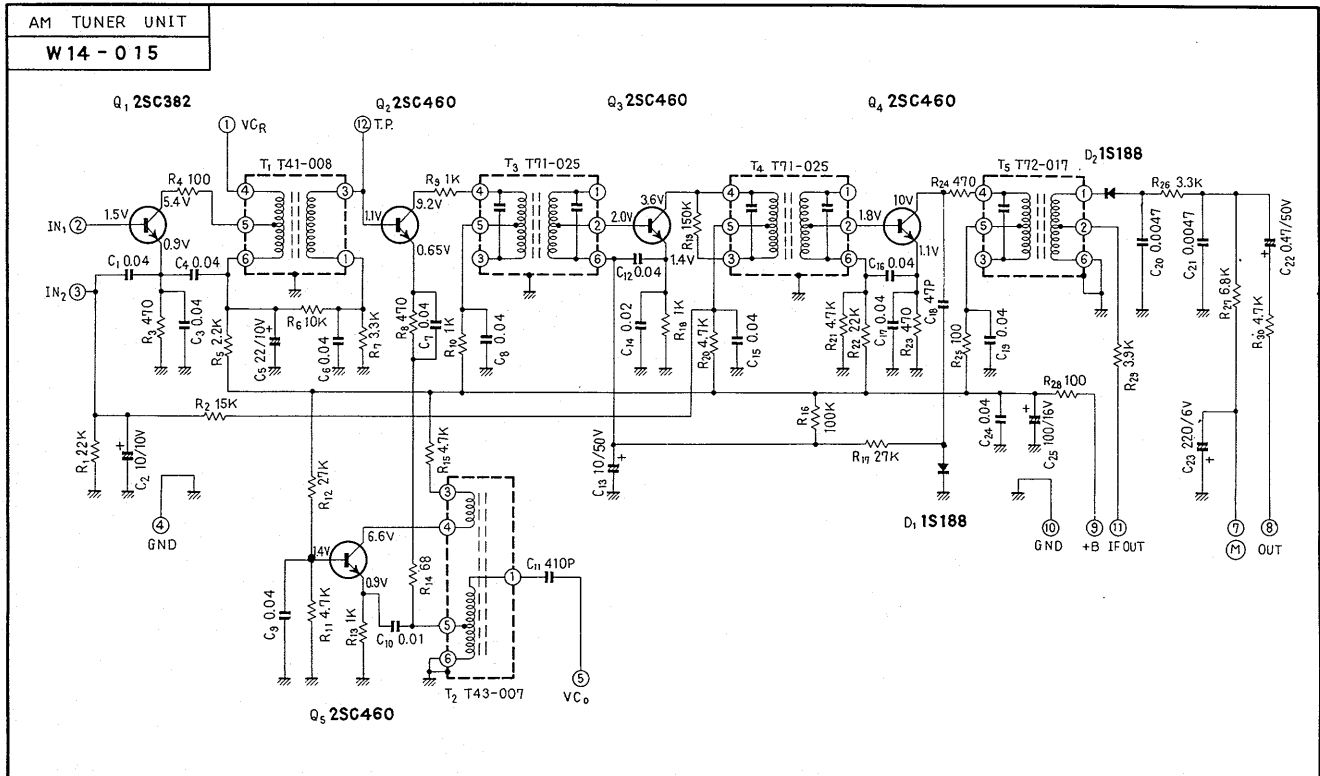
FM IF UNIT



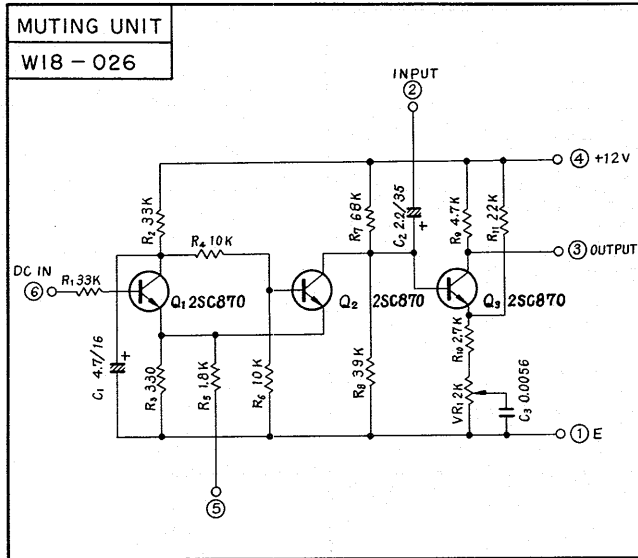
MPX UNIT



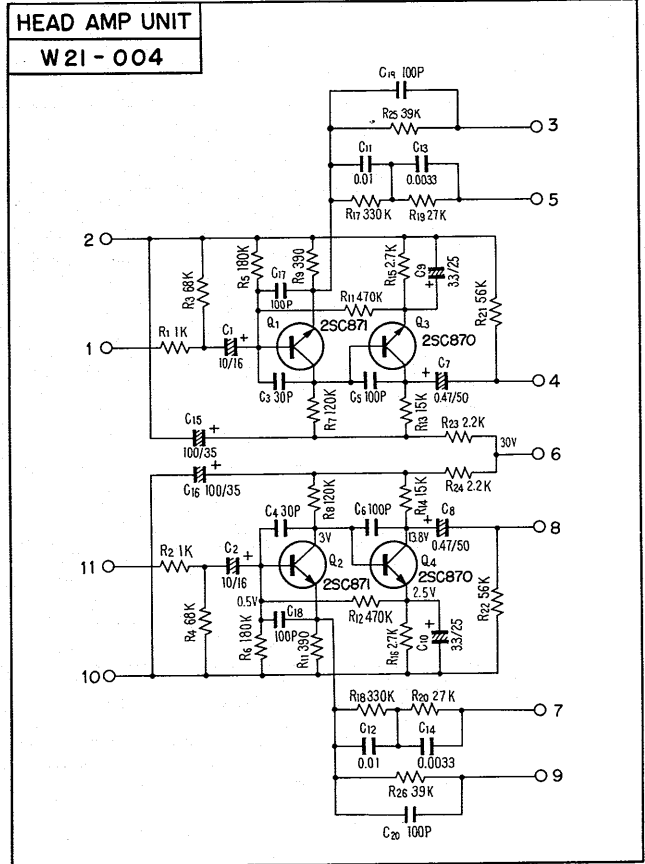
AM TUNER UNIT



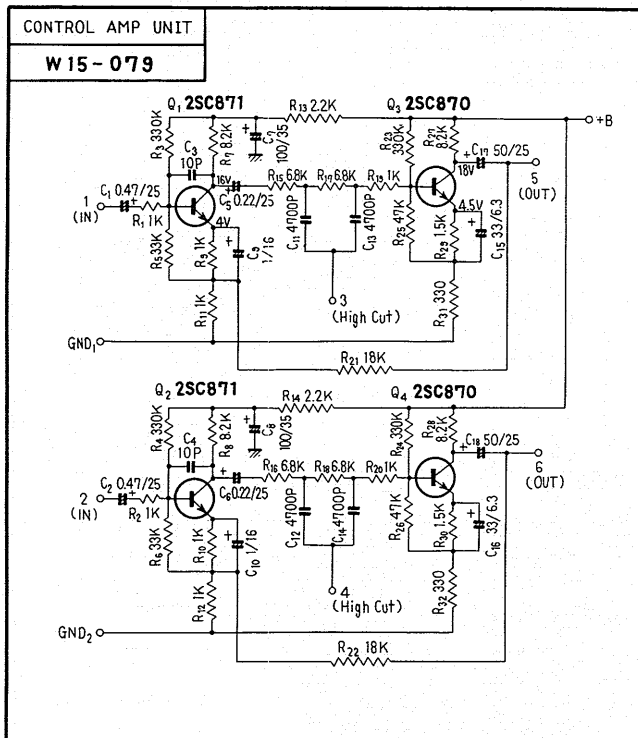
MUTING UNIT



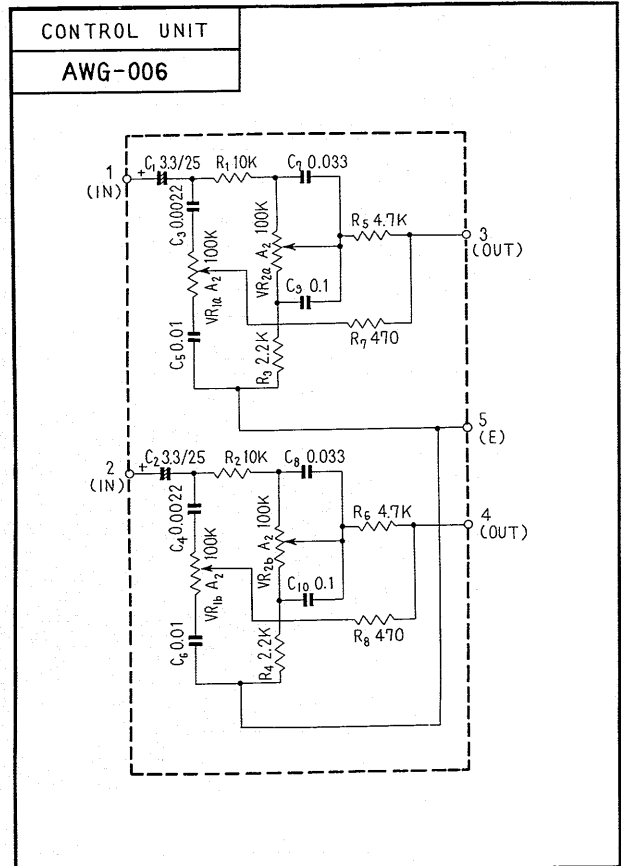
HEAD AMP UNIT



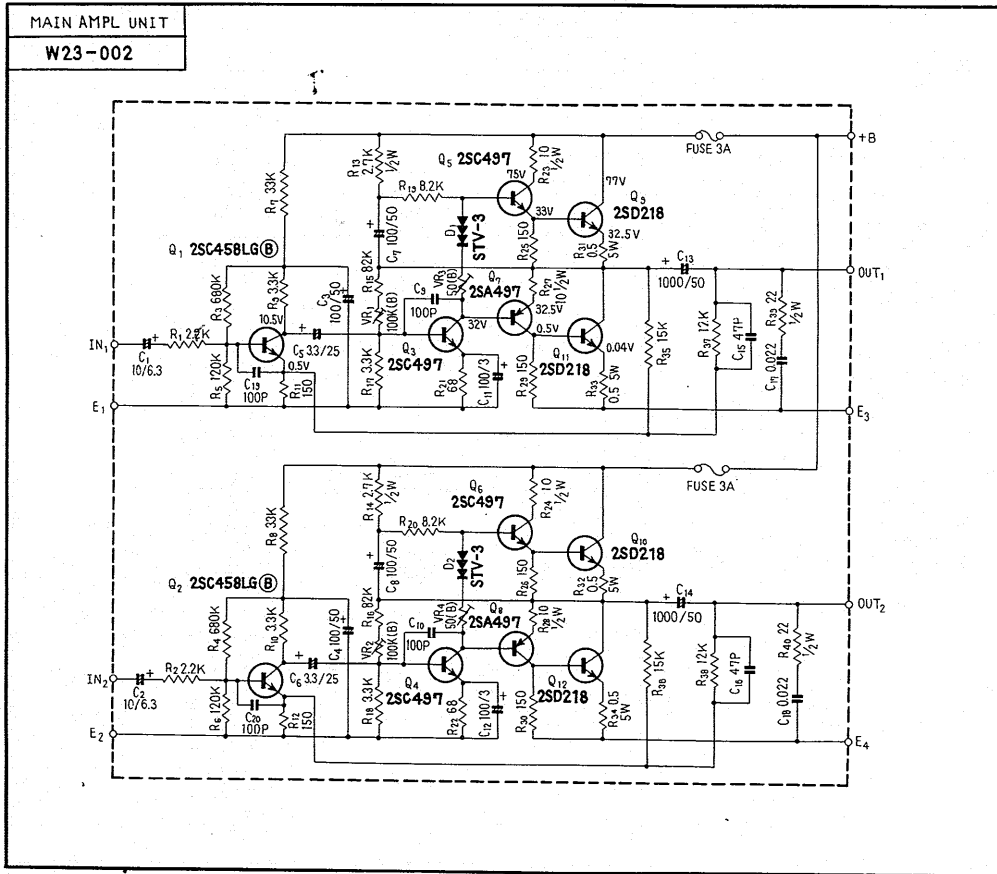
CONTROL AMP UNIT



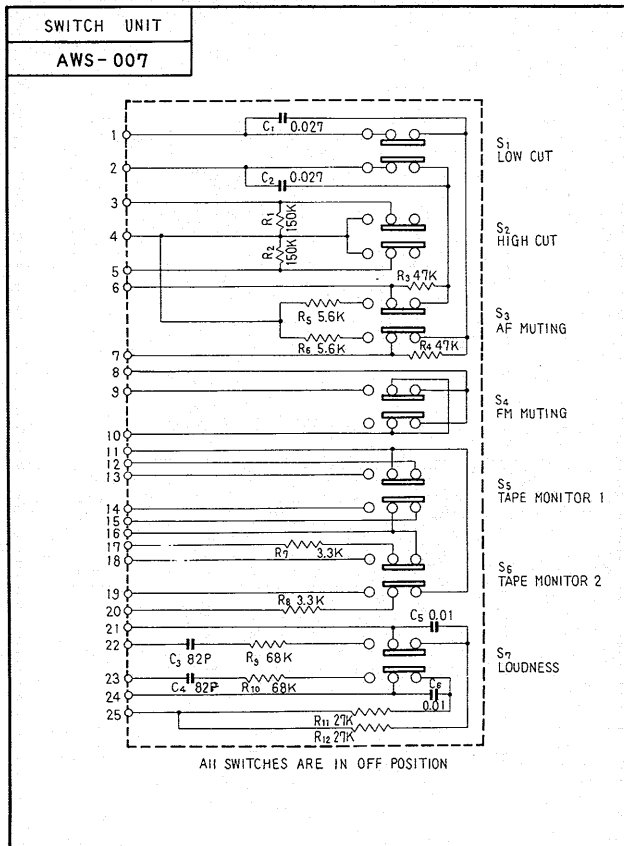
CONTROL UNIT



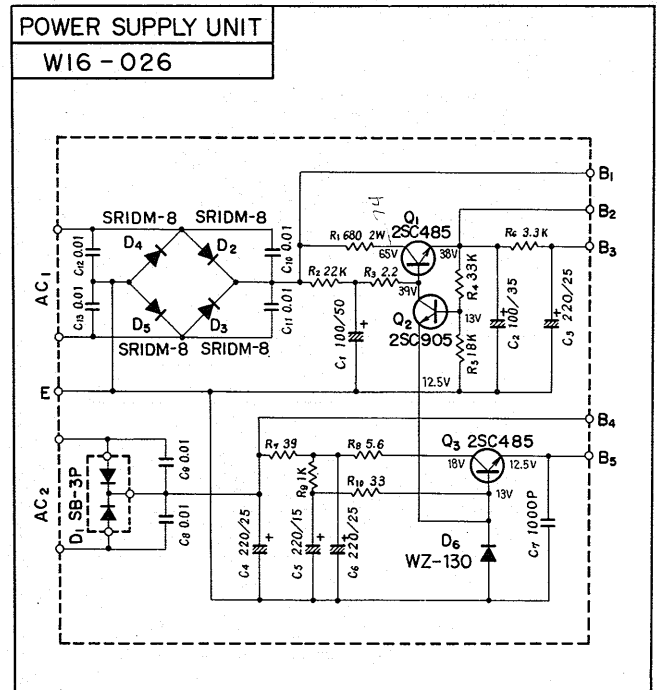
MAIN AMP UNIT



SWITCH UNIT



POWER SUPPLY UNIT

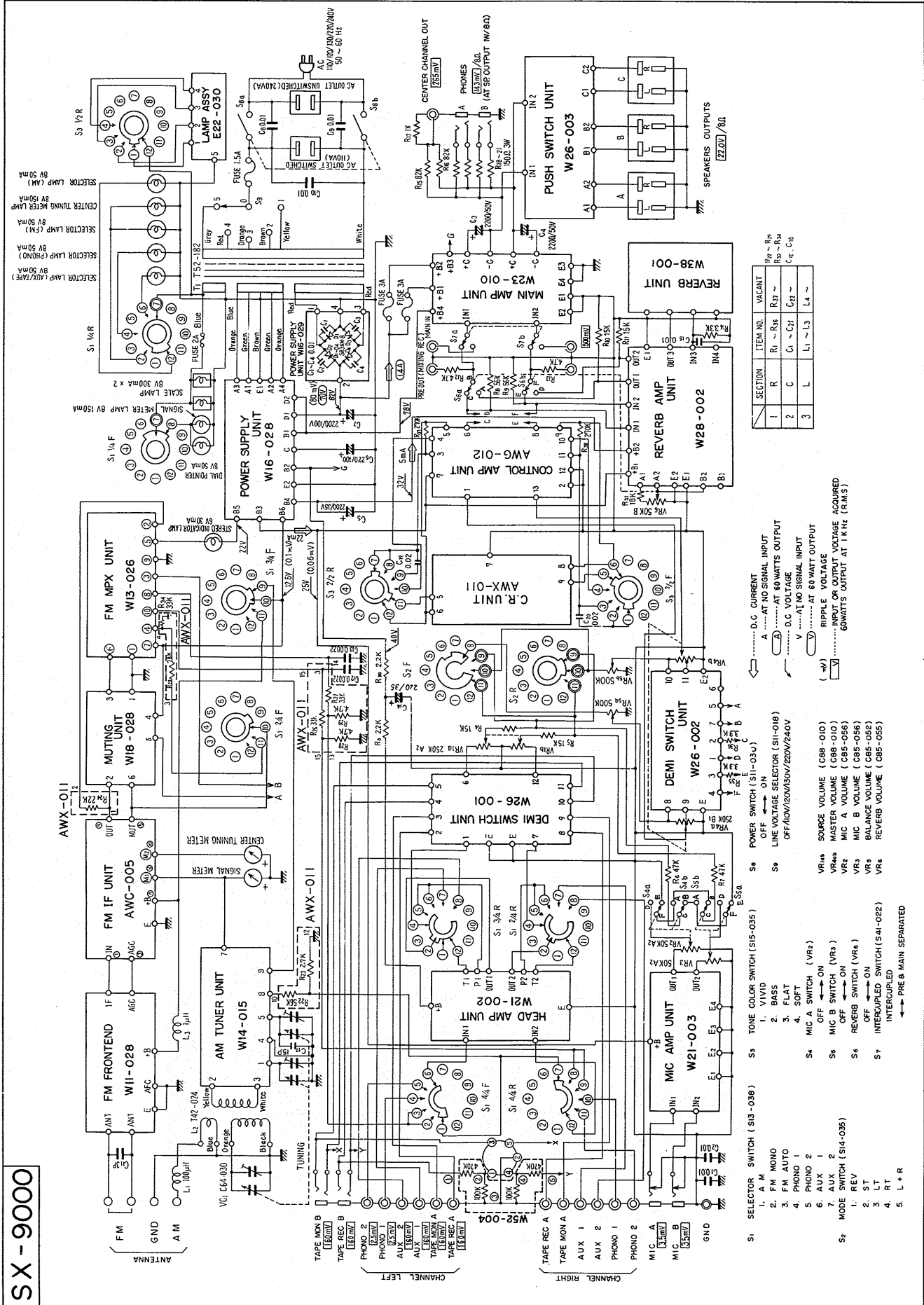


AM/FM STEREO RECEIVER

SX-9000

UNIT	ROUND LABEL	FW					
FM FRONT END		W11-028					
FM IF UNIT		AWC-005					
MPX UNIT		W13-026					
AM TUNER UNIT		W14-015					
MUTING UNIT		W18-028					
HEAD AMP UNIT		W21-002					
CONTROL AMP UNIT		AWG-012					
MAIN AMP UNIT		W23-010					
POWER SUPPLY UNIT		W16-028					
SWITCH UNIT		W26-001					
SWITCH UNIT		W26-002					
SWITCH UNIT		W26-003					
CR UNIT		AWX-011					
CONTROL UNIT							
MIC AMP UNIT		W21-003					
REVERBE AMP UNIT		W28-002					
REVERBE UNIT		W38-001					
POWER SUPPLY UNIT		W16-029					

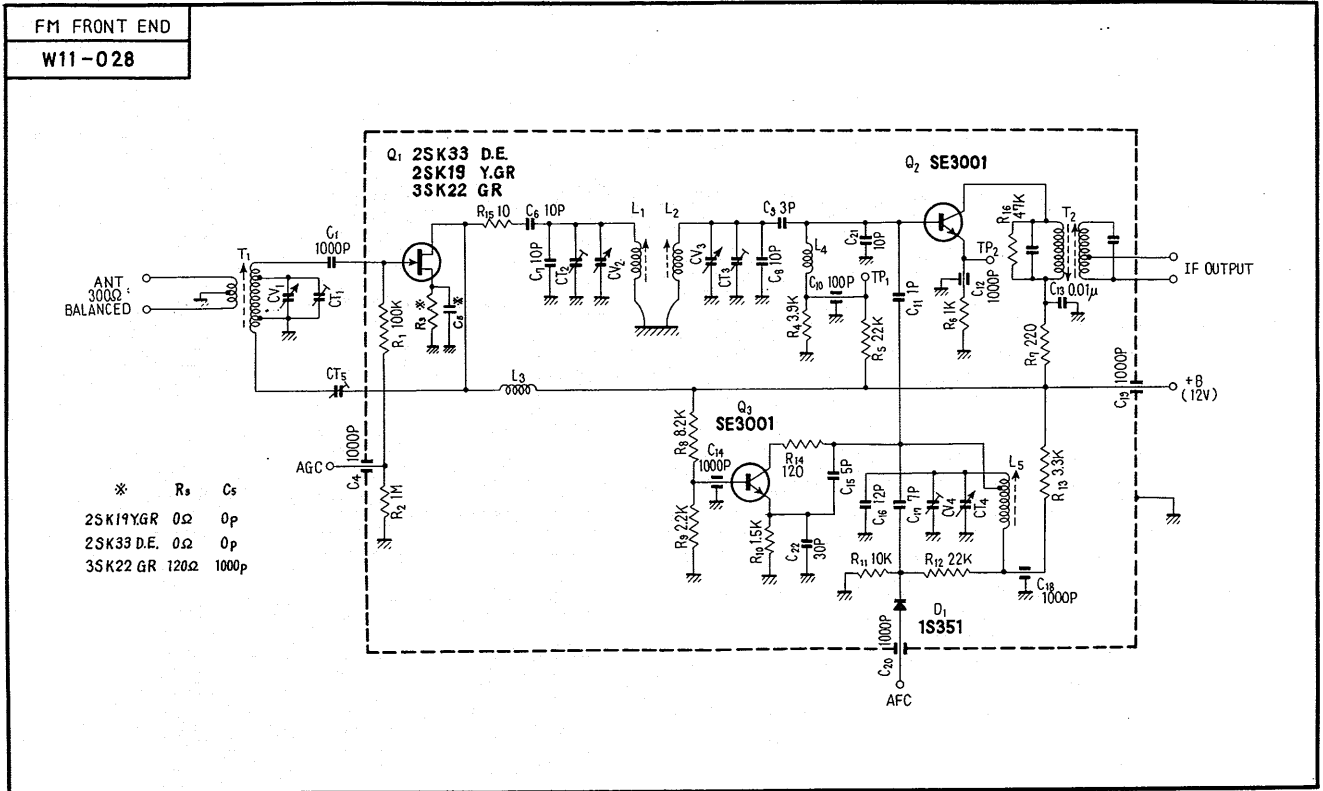




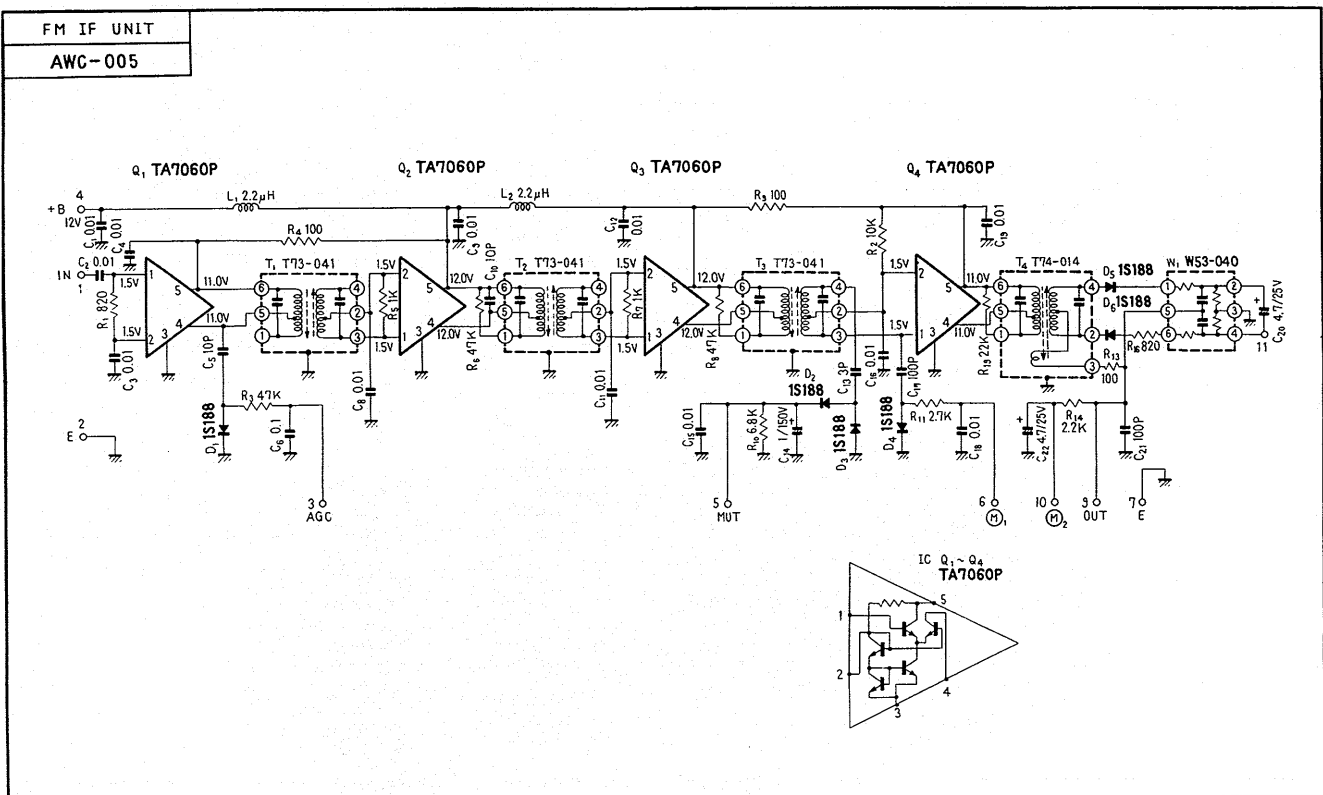
SECTION	ITEM NO.	VACANT
1	R	R1 ~ R36
2	C	C1 ~ C21
3	L	L1 ~ L3
		L4 ~

- S1 SELECTOR SWITCH (S13-038)
 1. A. M
 2. FM MONO
 3. FM AUTO
 4. PHONO 1
 5. PHONO 2
 6. AUX 1
 7. AUX 2
 - S2 MODE SWITCH (S14-038)
 1. REV
 2. ST
 3. LT
 4. RT
 5. L + R
 - S3 TONE COLOR SWITCH (S15-035)
 1. VIVID
 2. BASS
 3. FLAT
 4. SOFT
 - S4 MIC A SWITCH (VR2)
 - OFF ← ON
 - S5 MIC B SWITCH (VR3)
 - OFF ← ON
 - S6 REVERB SWITCH (VR4)
 - OFF ← ON
 - S7 INTERCUPLED SWITCH (S41-022)
 - ← PRE & MAIN SEPARATED
 - S8 POWER SWITCH (S11-035)
 - OFF ← ON
 - S9 LINE VOLTAGE SELECTOR (S11-018)
 - OFF/100V/120V/130V/230V/240V
 - VR1a SOURCE VOLUME (C88-010)
 - VR1b MASTER VOLUME (C88-010)
 - VR2 MIC A VOLUME (C85-056)
 - VR3 MIC B VOLUME (C85-056)
 - VR4 BALANCE VOLUME (C85-052)
 - VR5 REVERB VOLUME (C85-055)
- A AT NO SIGNAL INPUT
 B AT 60 WATT OUTPUT
 C D.C. VOLTAGE
 V AT NO SIGNAL INPUT
 W AT 60 WATT OUTPUT
 (W) RIPPLE VOLTAGE
 (V) INPUT OR OUTPUT VOLTAGE ACQUIRED
 (G) 60 WATTS OUTPUT AT 1 K Hz (R.M.S)

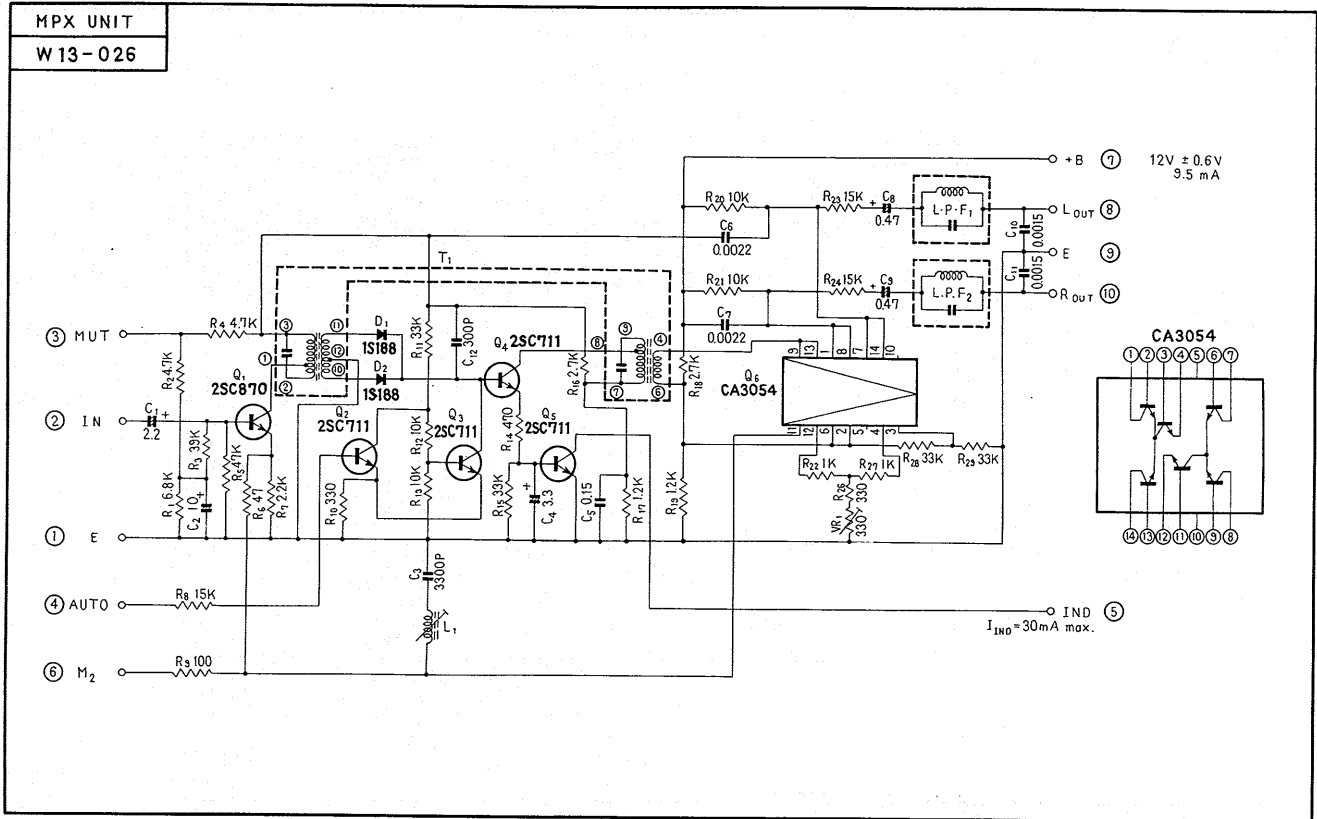
FM FRONT END



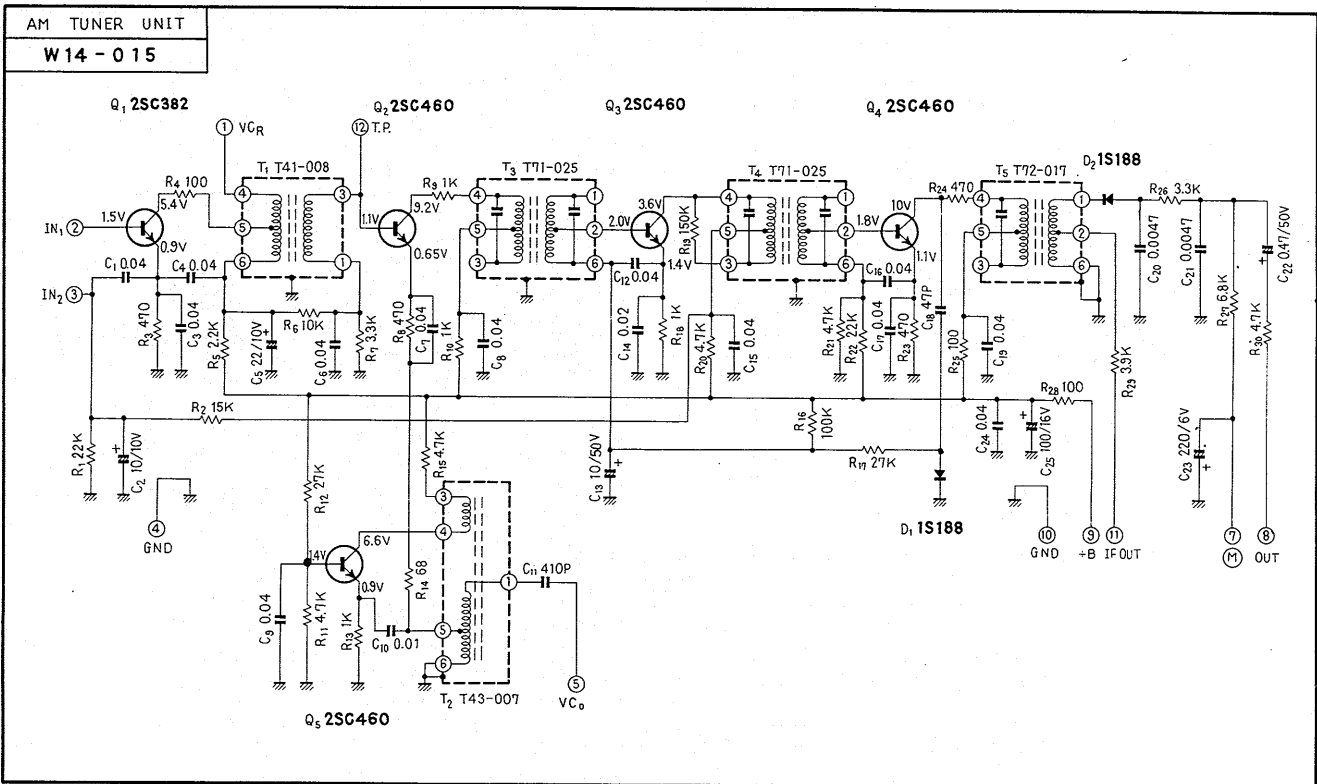
FM IF UNIT



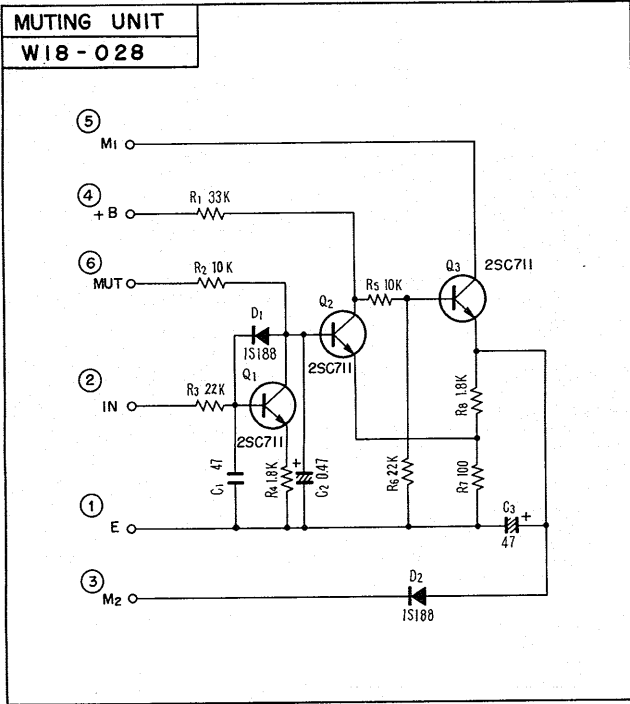
MPX UNIT



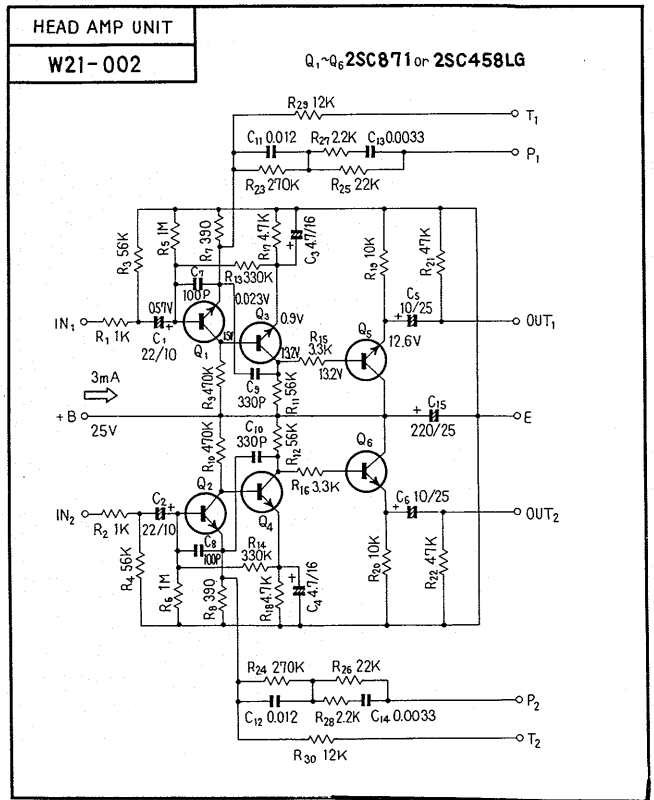
AM TUNER UNIT



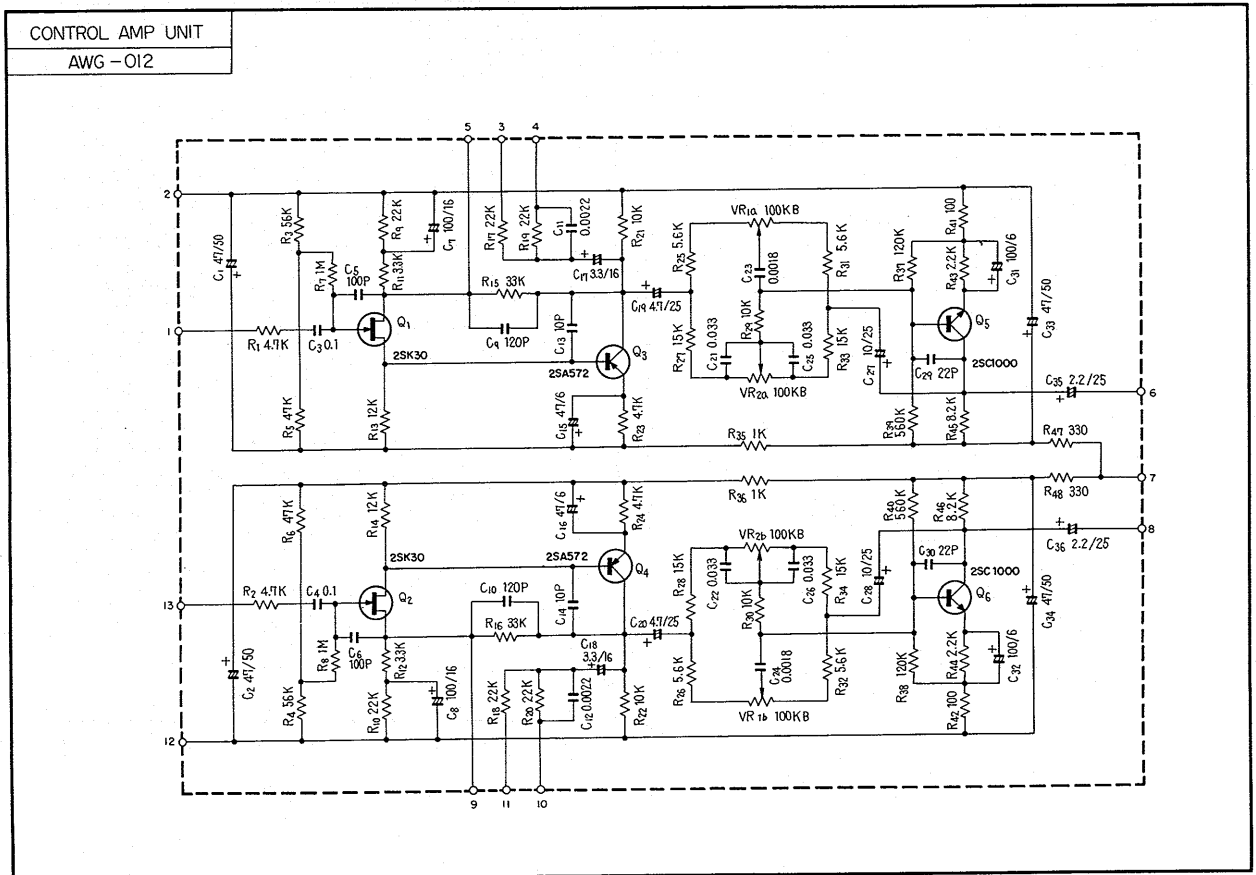
MUTING UNIT



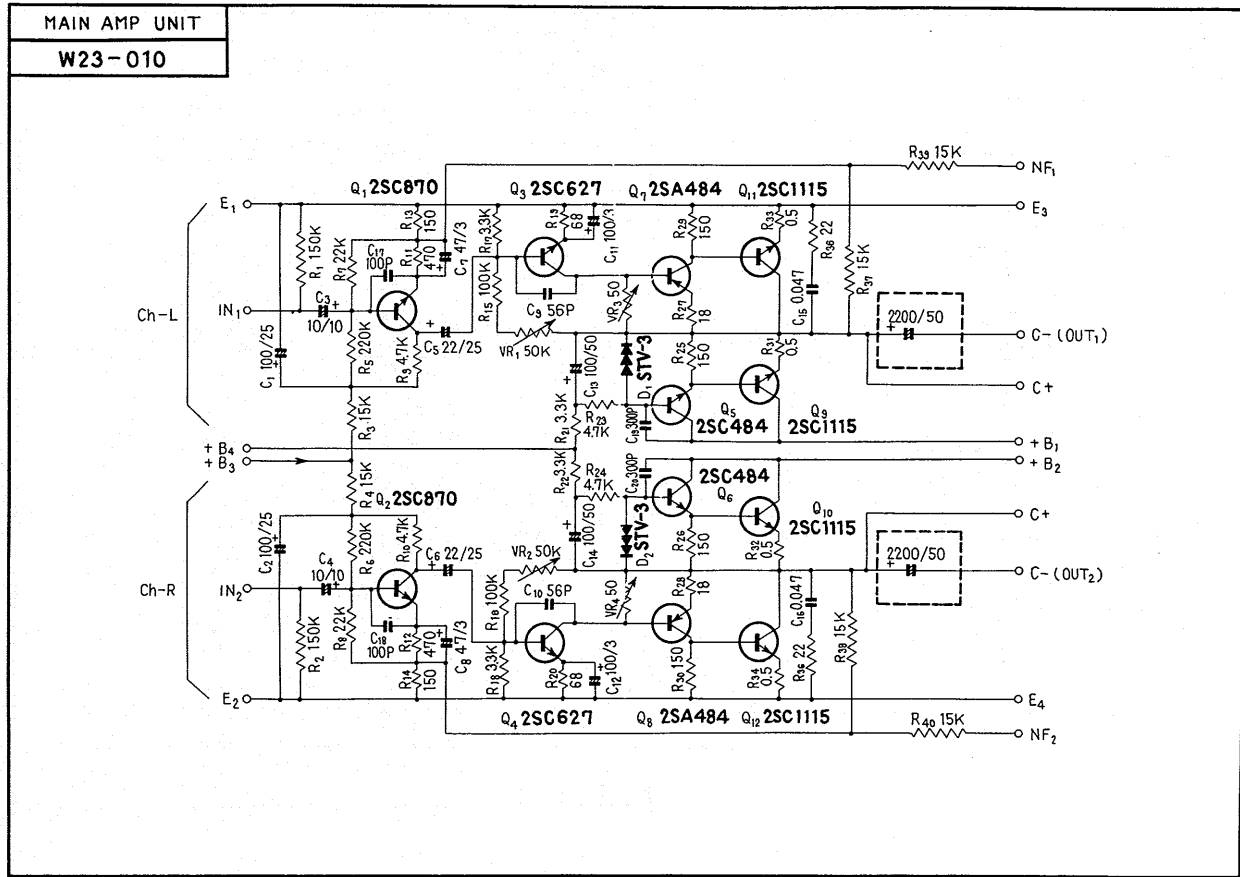
HEAD AMP UNIT



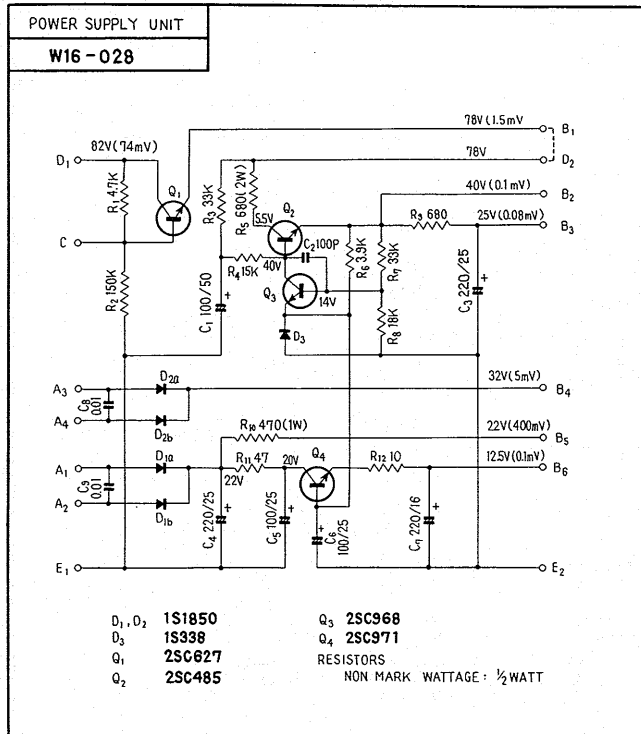
CONTROL AMP UNIT



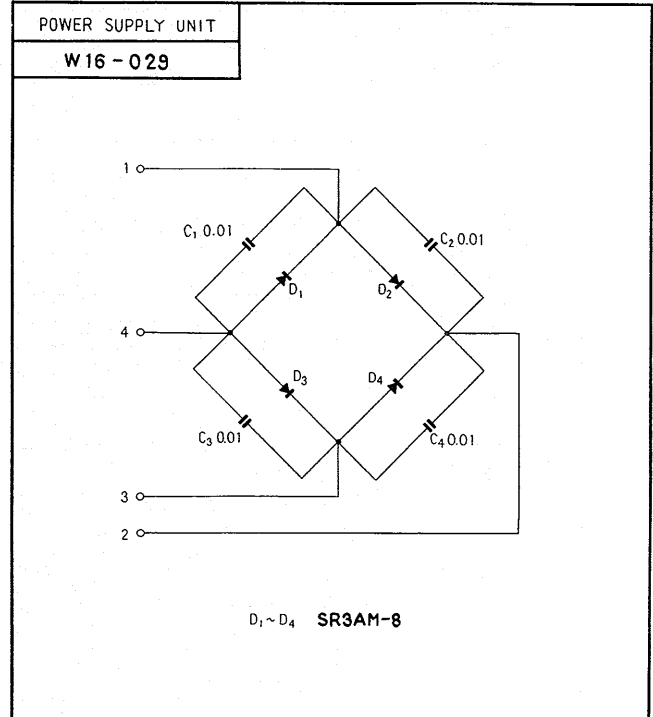
MAIN AMP UNIT



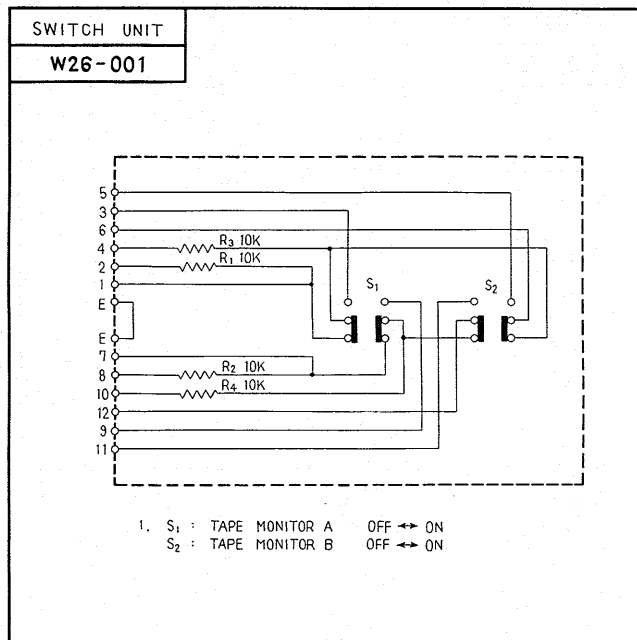
POWER SUPPLY UNIT



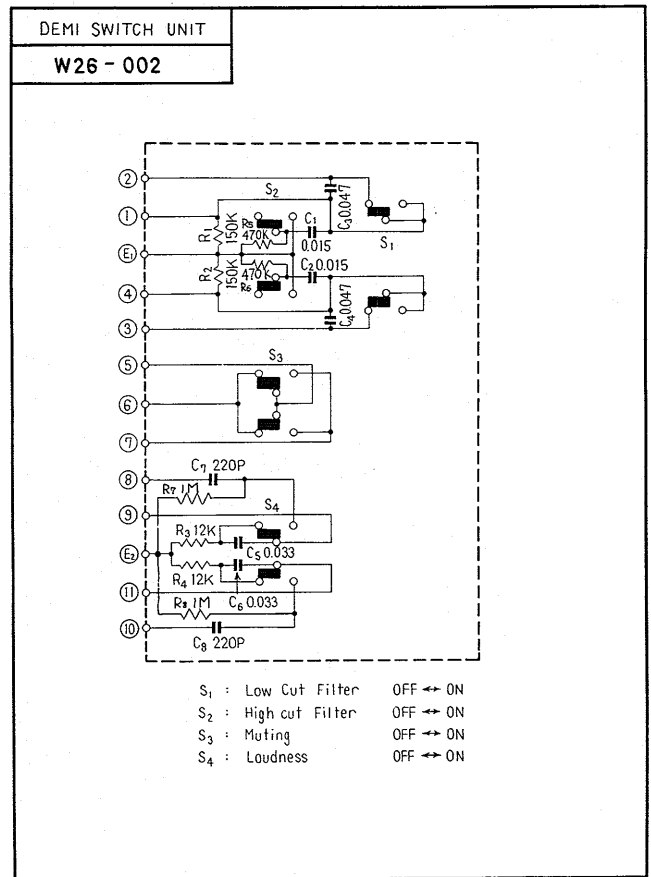
POWER SUPPLY UNIT



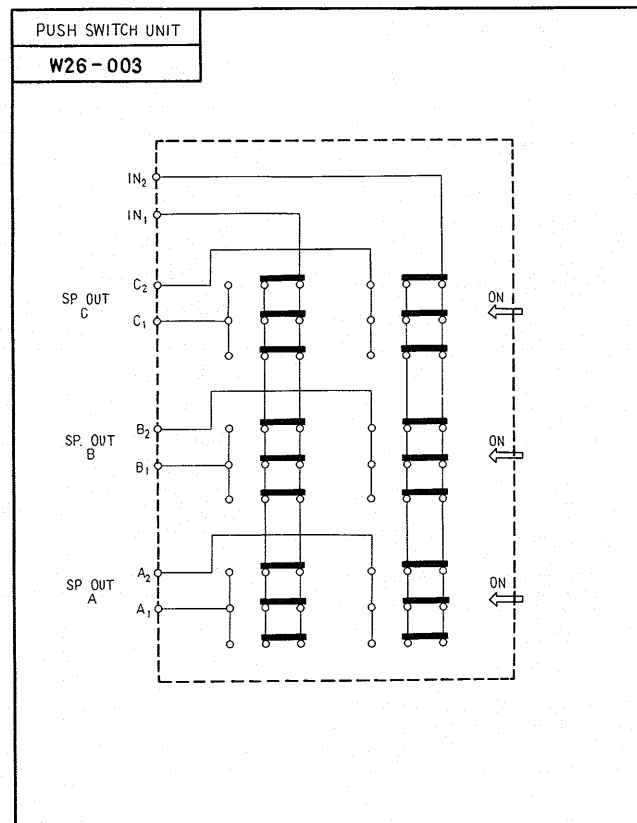
SWITCH UNIT



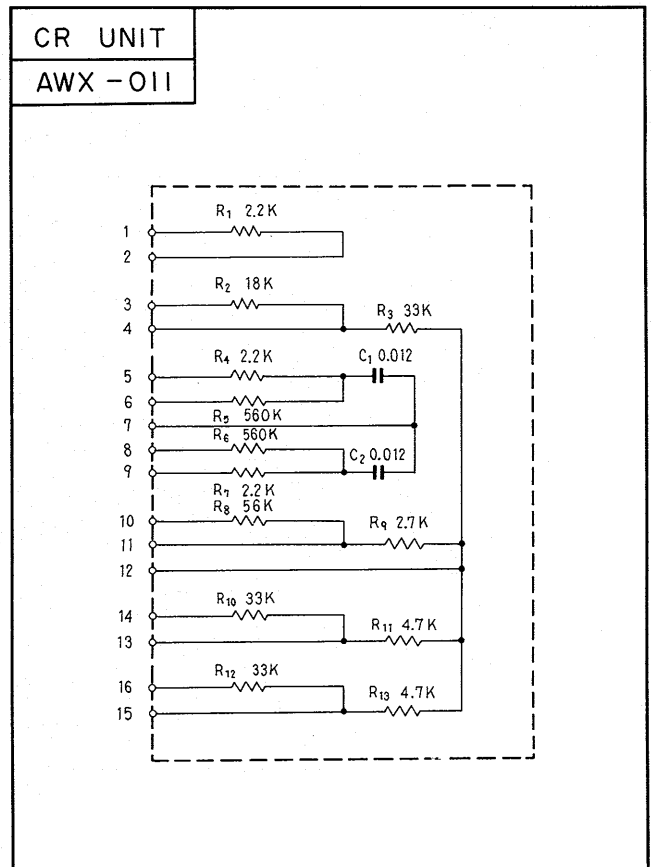
DEMI SWITCH UNIT



PUSH SWITCH UNIT



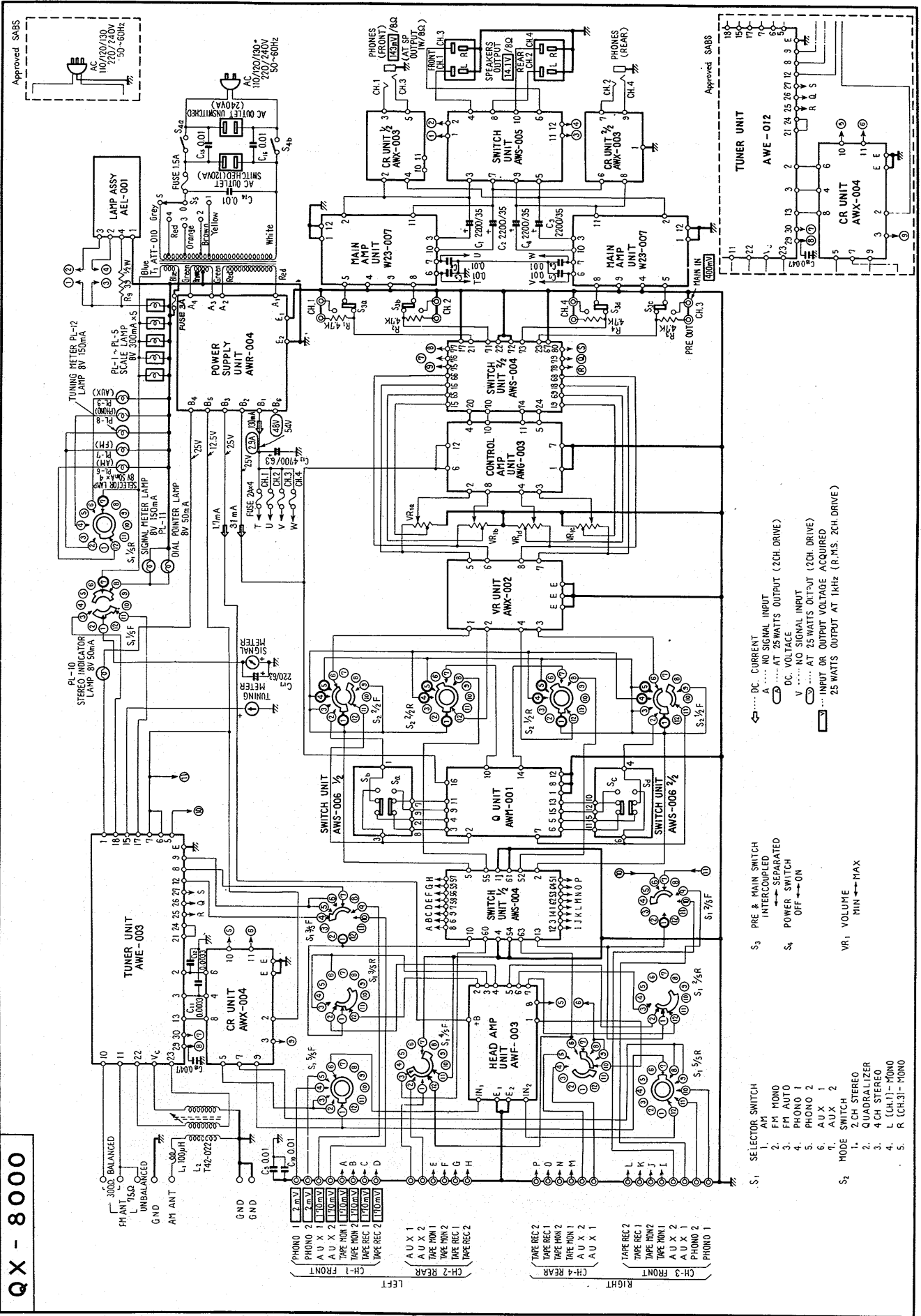
CR UNIT



**QUADRAPHONIC RECEIVER
QX-8000**

UNIT \ ROUND LABEL	FW	FSAW				
TUNER UNIT	AWE-003	AWE-012				
FM FRONT END						
CR UNIT	AWX-003	AWX-003				
CR UNIT	AWX-004	AWX-004				
AM TUNER UNIT						
Q UNIT	AWM-001	AWM-001				
HEAD AMP UNIT	AWF-003	AWF-003				
CONTROL AMP UNIT	AWG-003	AWG-003				
MAIN AMP UNIT	W23-007	W23-007				
POWER SUPPLY UNIT	AWR-004	AWR-004				
SWITCH UNIT	AWS-004	AWS-004				
SWITCH UNIT	AWS-005	AWS-005				
SWITCH UNIT	AWS-006	AWS-006				
TONE COLOR UNIT						
VR UNIT	AWX-002	AWX-002				
MIC AMP UNIT						
REVERBE AMP UNIT						
REVERBE UNIT						



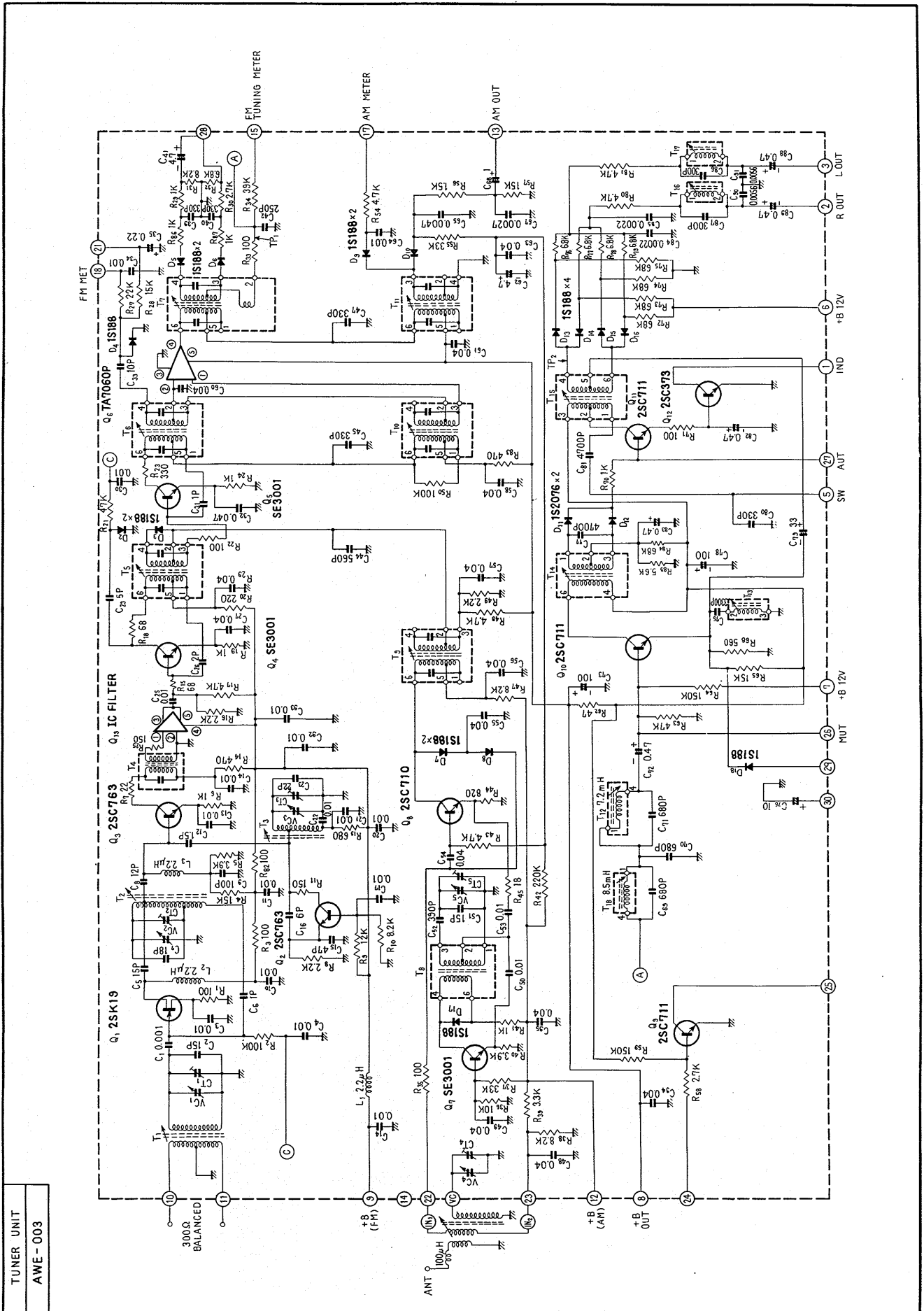


← ... DC CURRENT
 A ... NO SIGNAL INPUT
 B ... AT 25WATTS OUTPUT (2CH DRIVE)
 C ... DC VOLTAGE
 D ... NO SIGNAL INPUT
 E ... AT 25WATTS OUTPUT (2CH DRIVE)
 F ... INPUT OR OUTPUT VOLTAGE ACQUIRED
 G ... 25 WATTS OUTPUT AT 1KHz (R.H.S. 2CH DRIVE)

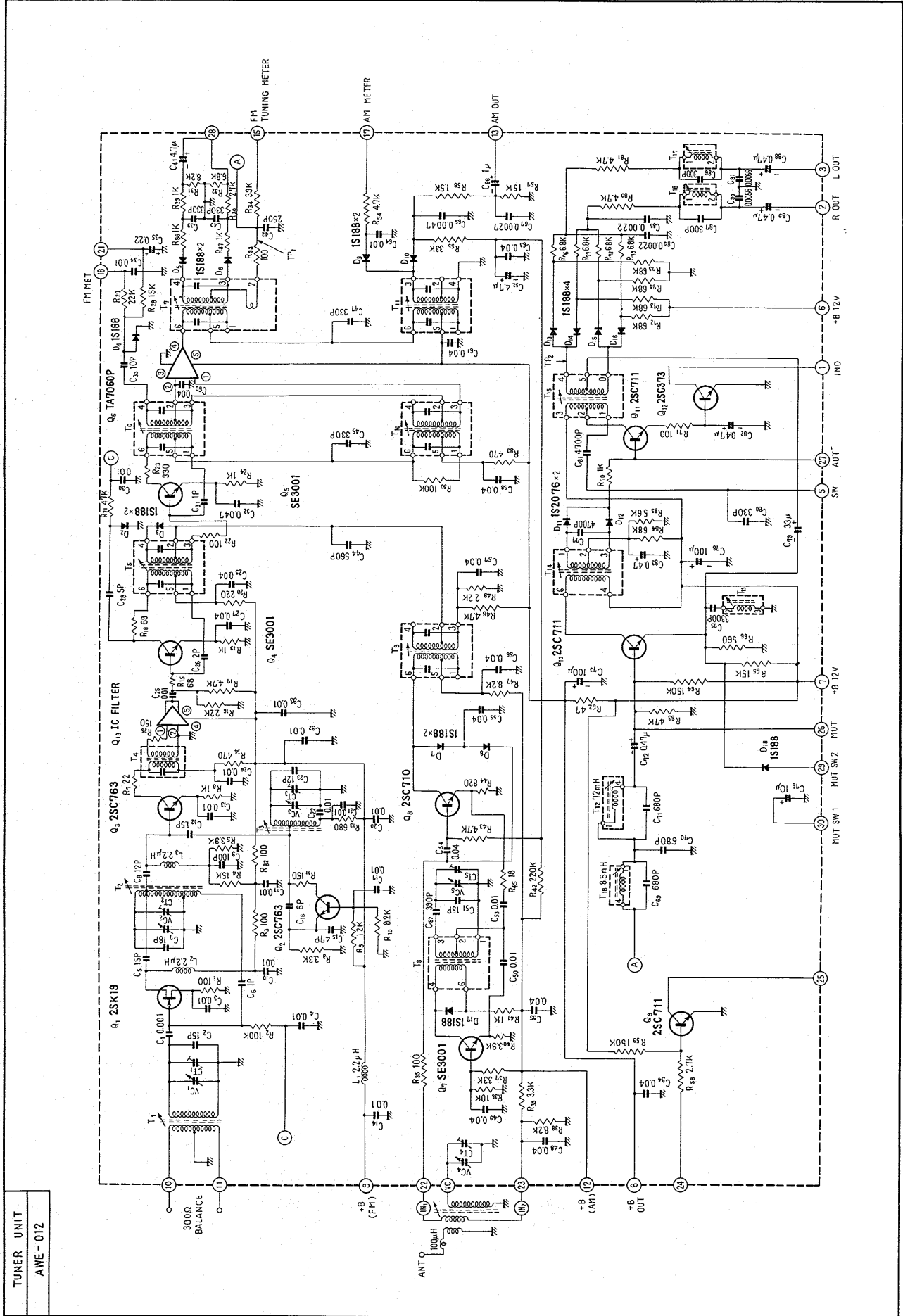
S₃ PRE & MAIN SWITCH
 INTERCOUPLED
 → SEPARATED
 S₄ POWER SWITCH
 OFF → ON
 VR₁ VOLUME
 MIN → MAX

S₁ SELECTOR SWITCH
 1. FM MONO
 2. FM AUTO
 3. PHONO 1
 4. PHONO 2
 5. PHONO 1
 6. AUX 1
 7. AUX 2
 8. 2CH STEREO
 9. QUADRALIZER
 10. 4 CH STEREO
 11. L (CH.1) - MONO
 12. R (CH.2) - MONO

TUNER UNIT



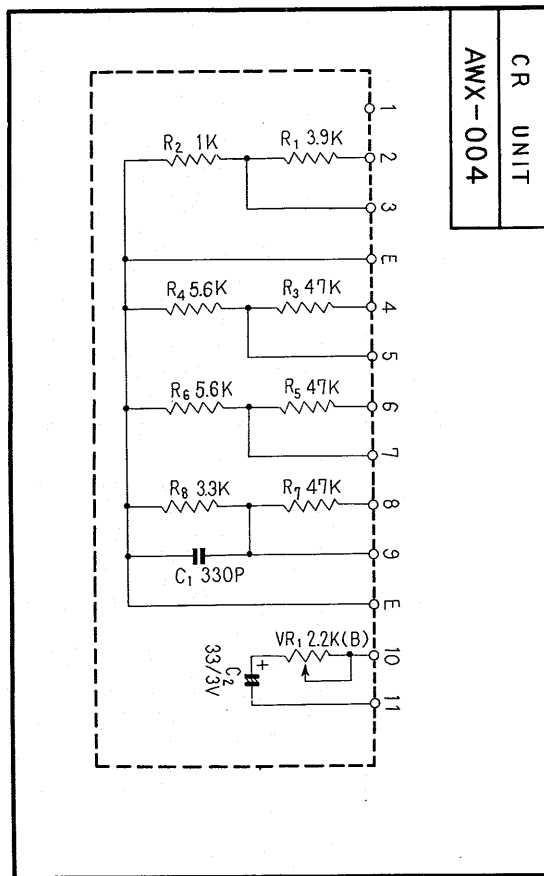
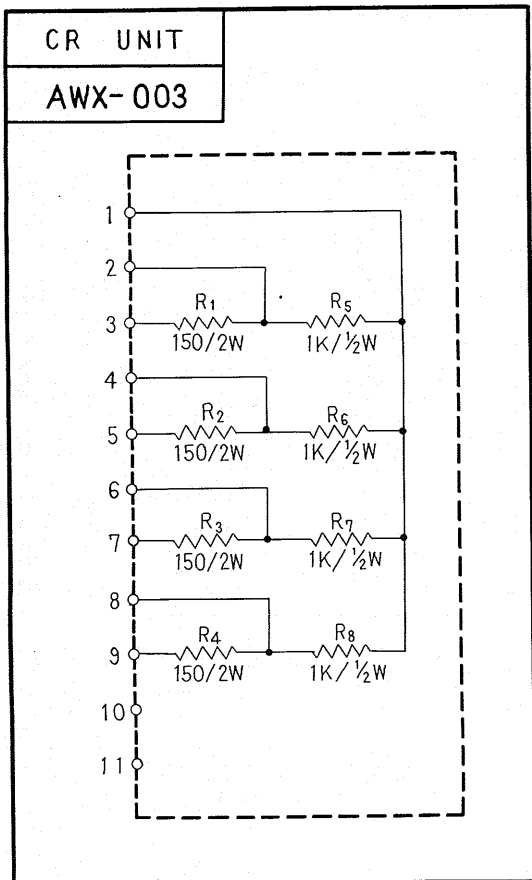
TUNER UNIT for FSAW model



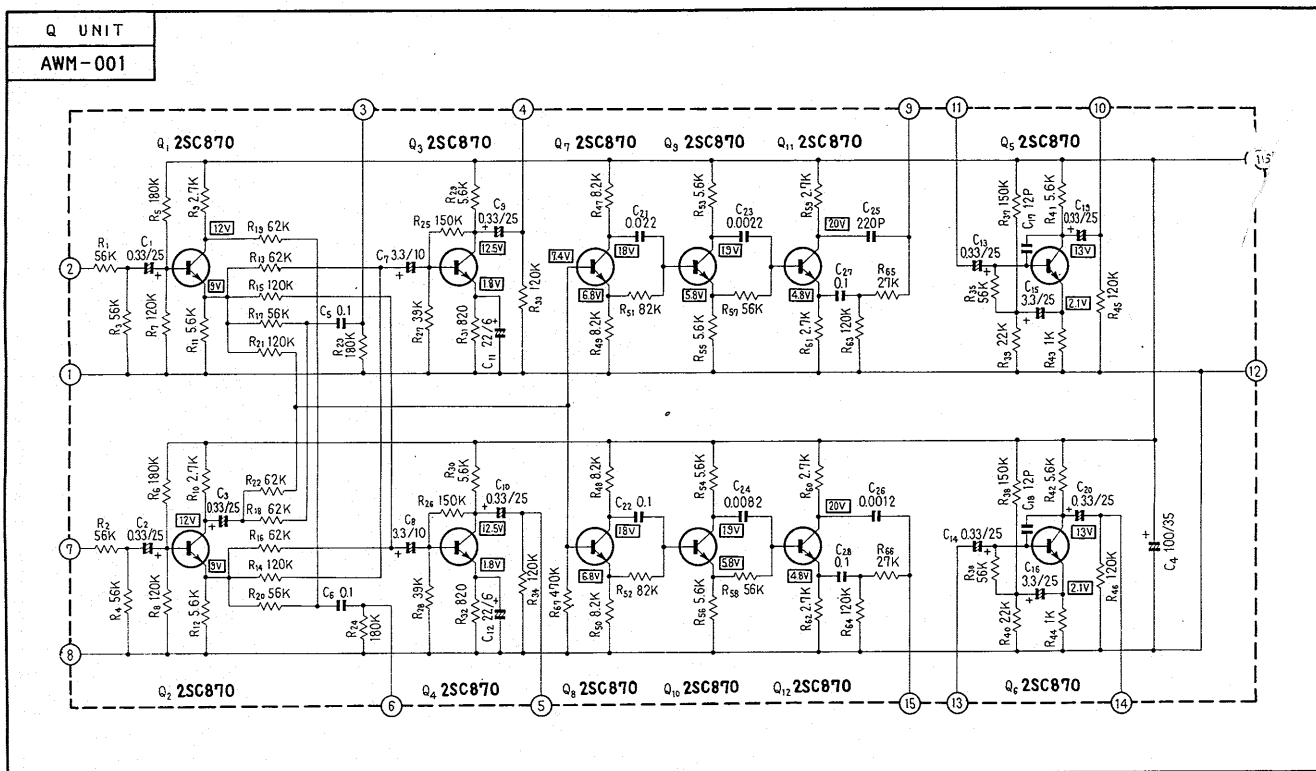
TUNER UNIT
AWE - 012

CR UNIT

CR UNIT

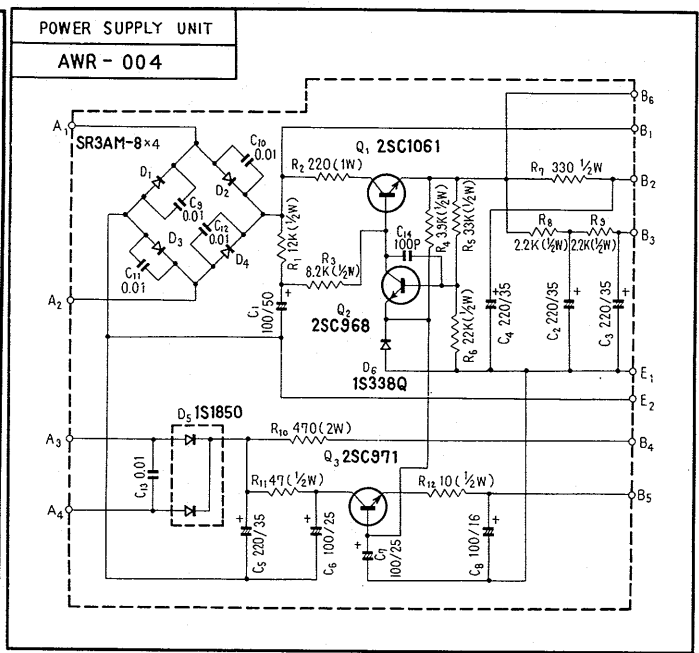
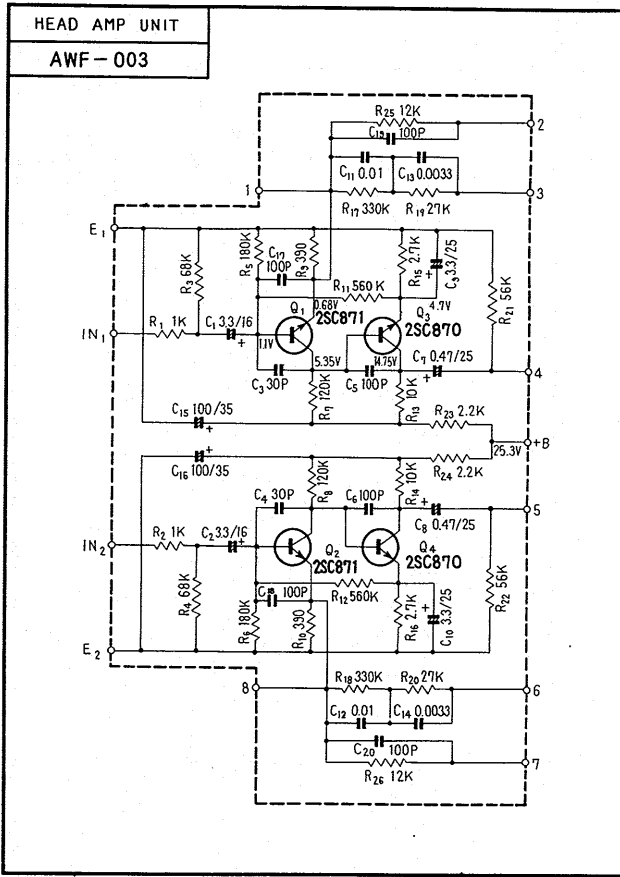


Q UNIT

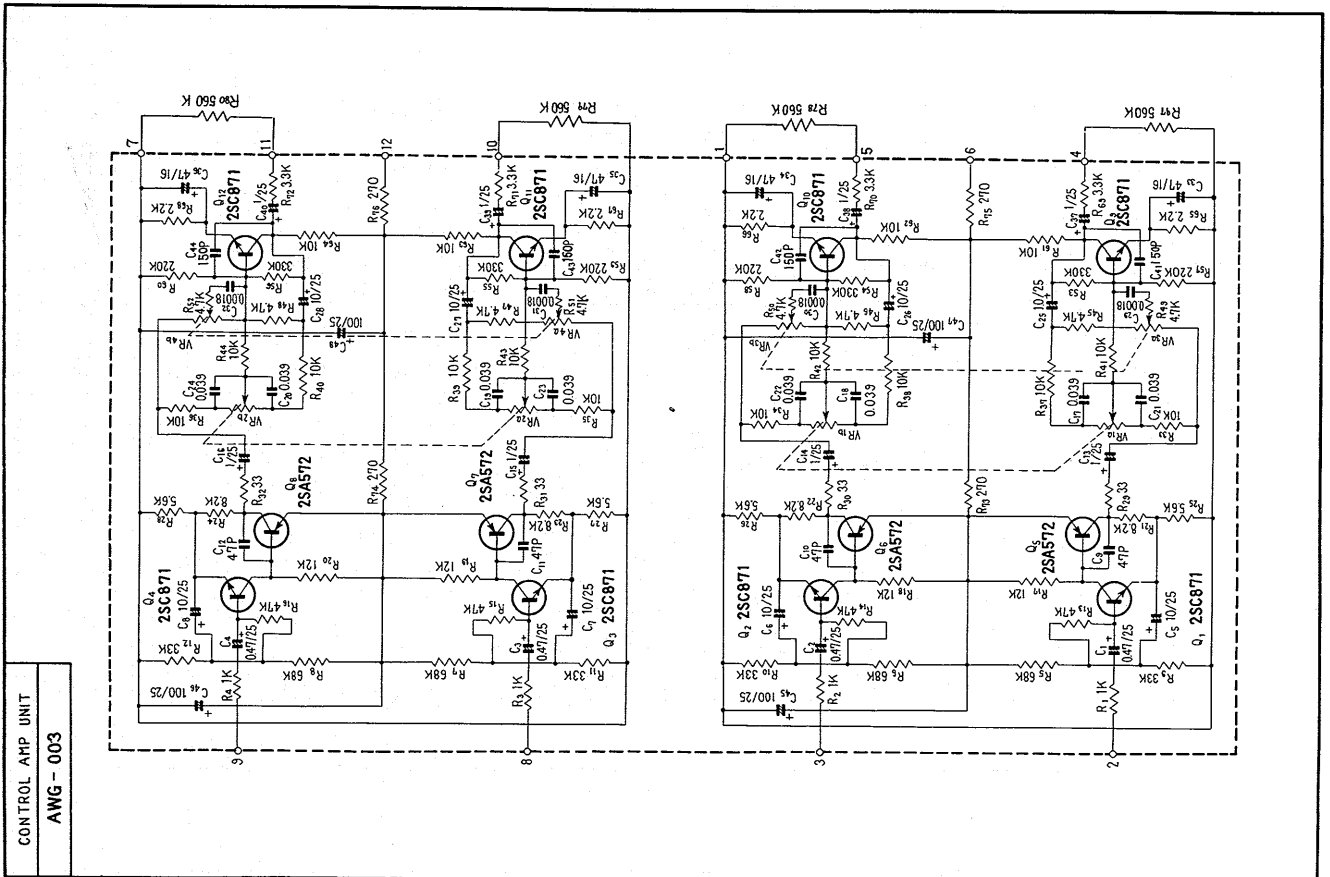


HEAD AMP UNIT

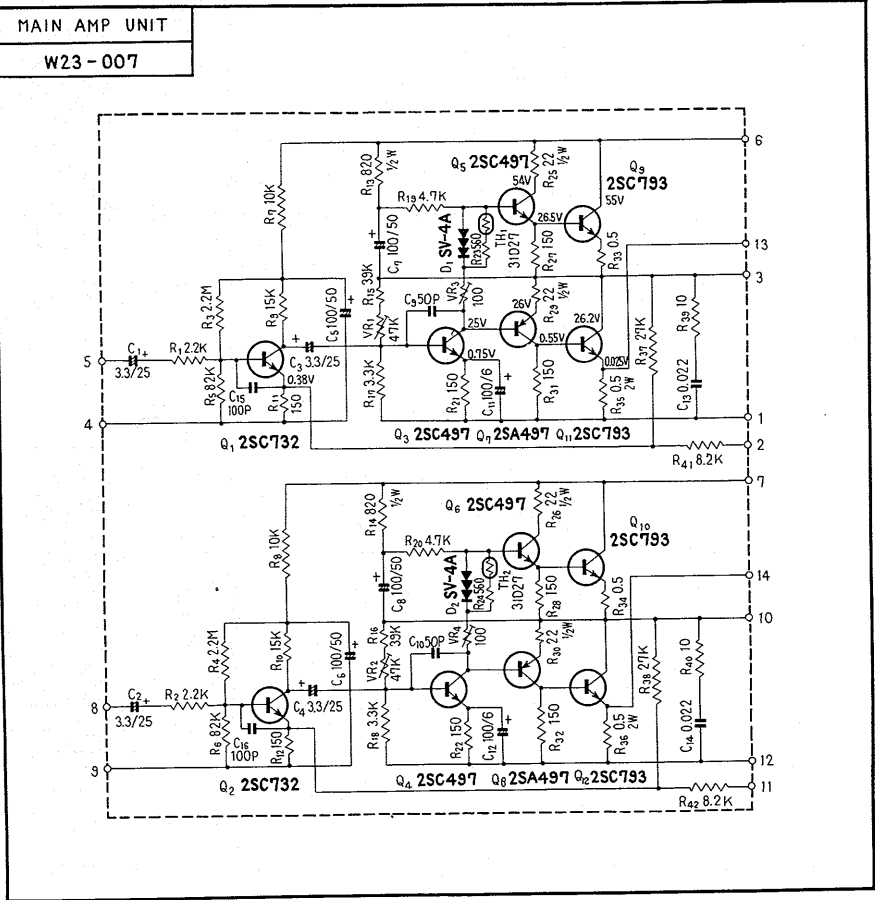
POWER SUPPLY UNIT



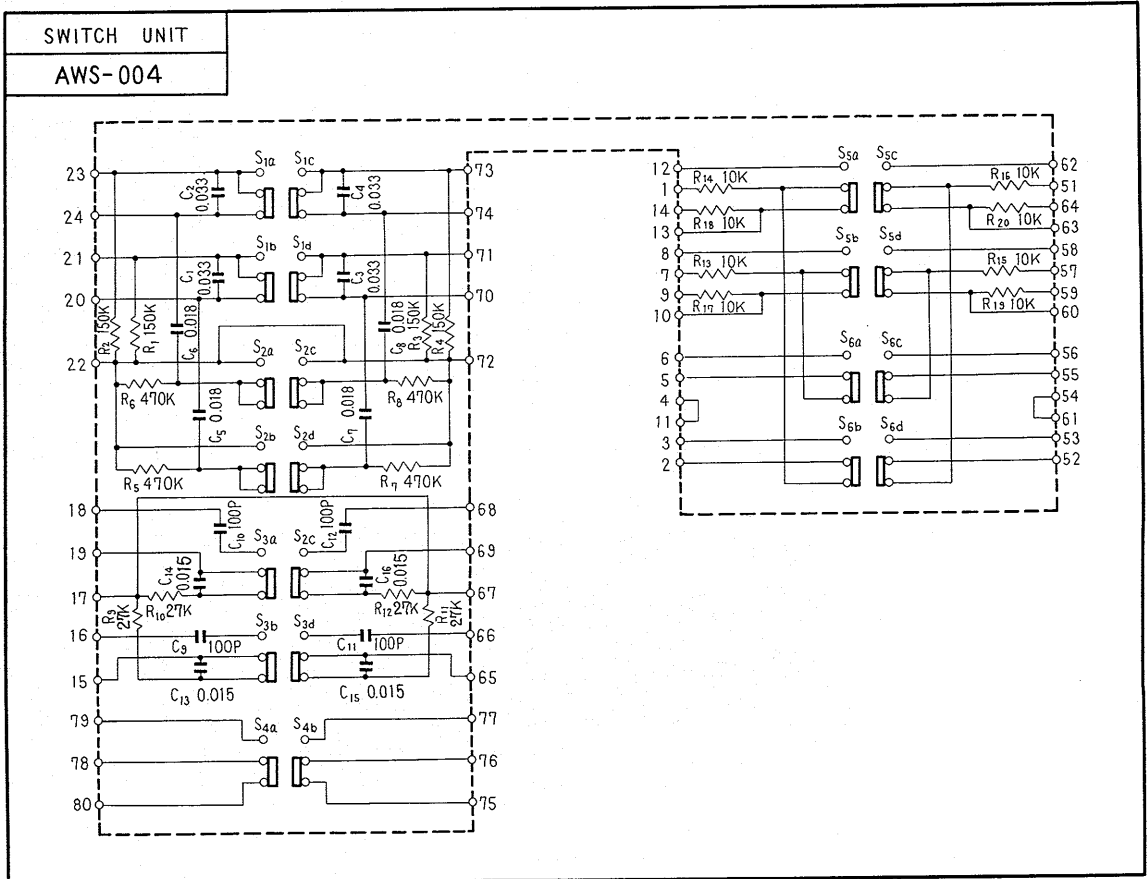
CONTROL AMP UNIT



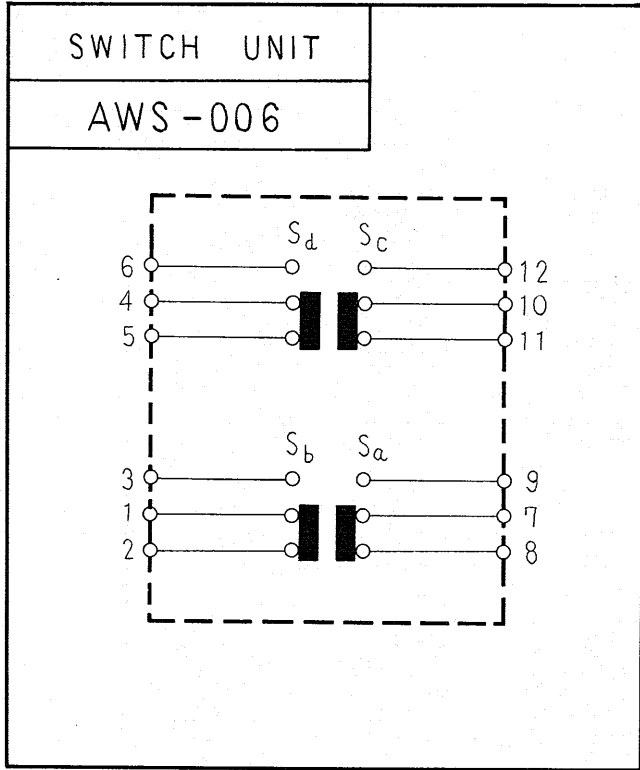
MAIN AMP UNIT



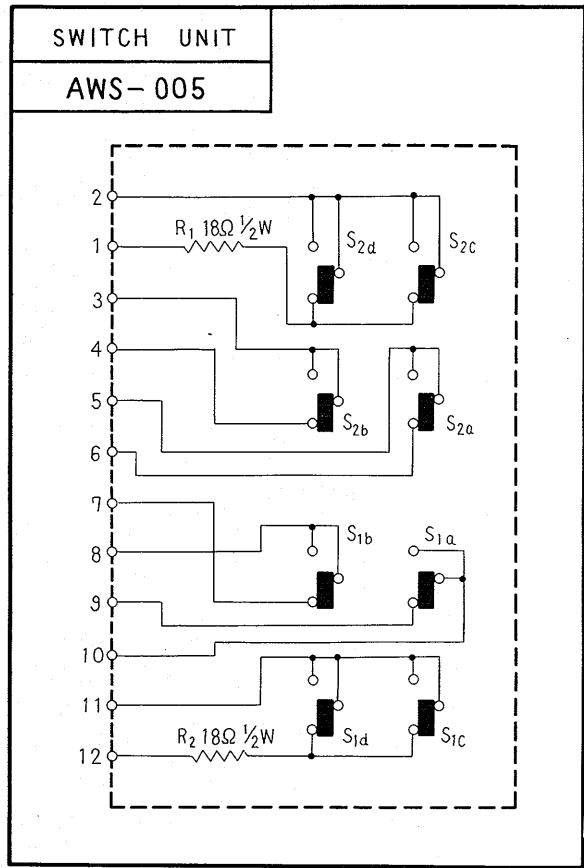
SWITCH UNIT



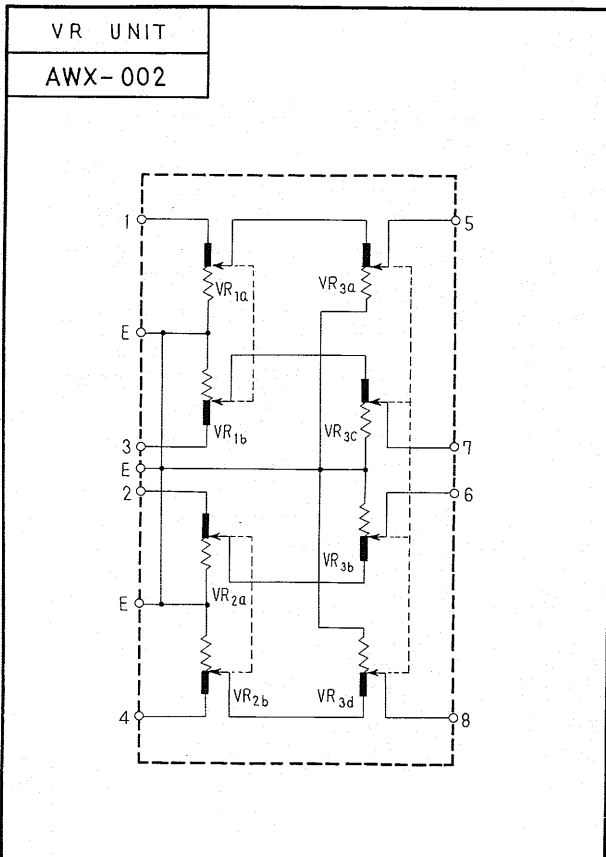
SWITCH UNIT



SWITCH UNIT



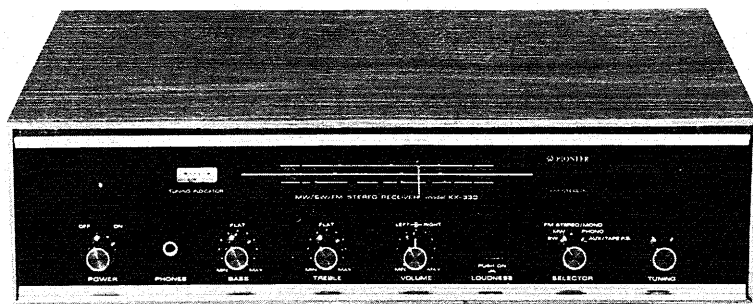
VR UNIT



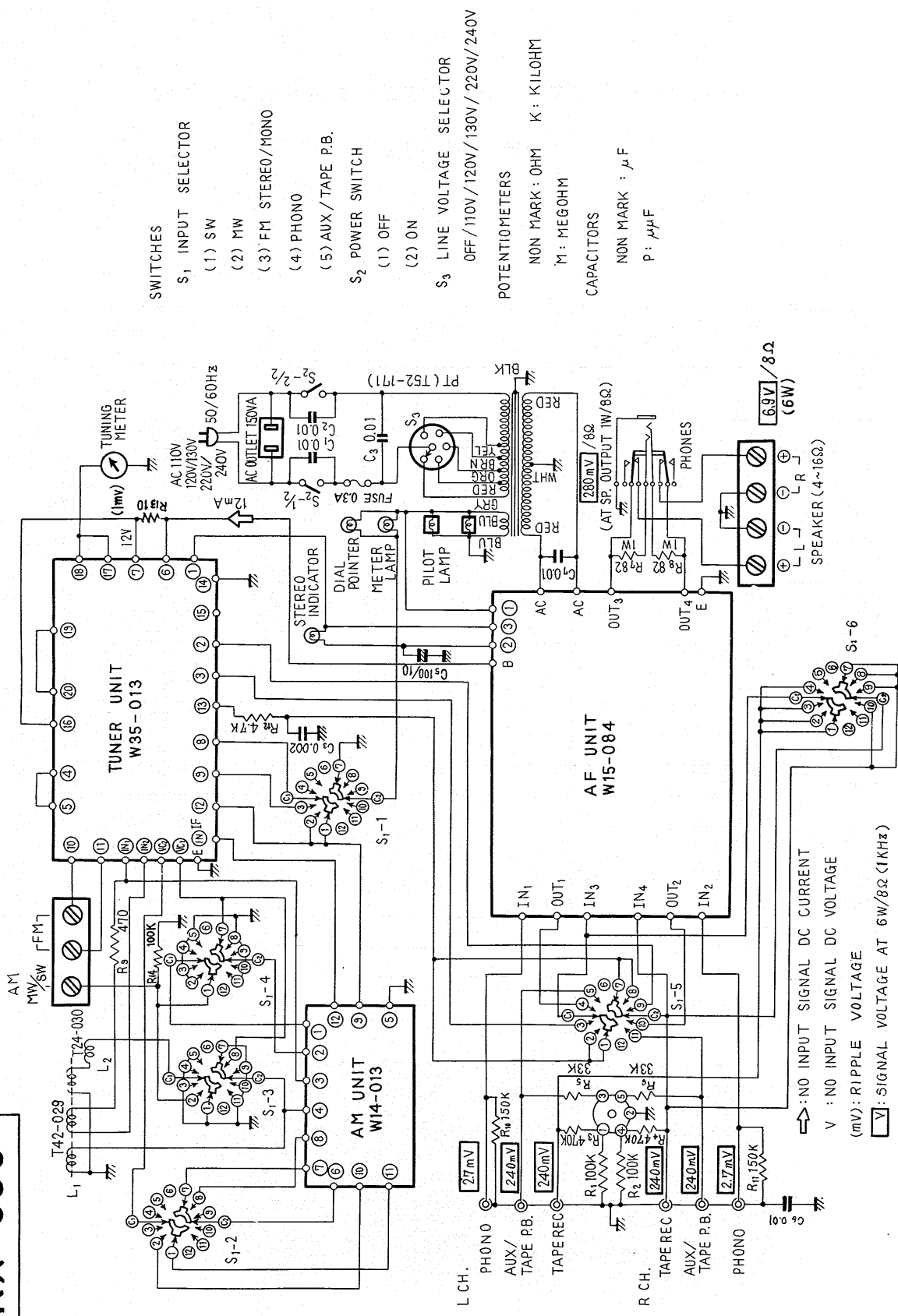
SW/MW/FM STEREO RECEIVER

KX-330

UNIT	ROUND LABEL	FSAW					
TUNER UNIT		W35-013					
FM FRONT END							
FM IF UNIT							
MPX UNIT							
AM UNIT		W14-013					
MUTING UNIT							
AF UNIT		W15-084					
CONTROL AMP UNIT							
MAIN AMP UNIT							
POWER SUPPLY UNIT							
SWITCH UNIT							
SWITCH UNIT							
SWITCH UNIT							
TONE COLOR UNIT							
CONTROL UNIT							
MIC AMP UNIT							
REVERBE AMP UNIT							
REVERBE UNIT							



KX-330

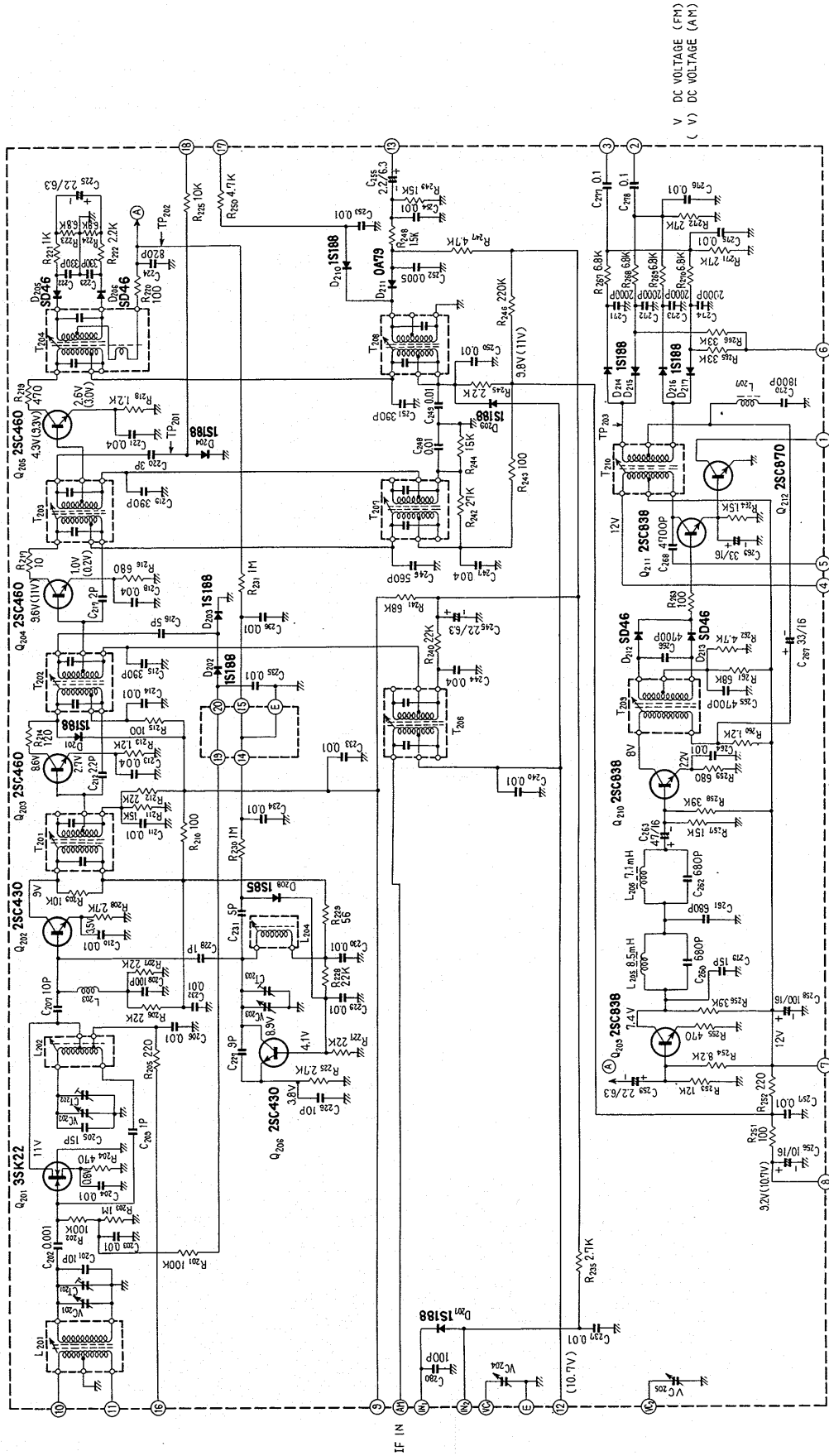


- SWITCHES**
 S₁ INPUT SELECTOR
 (1) SW
 (2) MW
 (3) FM STEREO/MONO
 (4) PHONO
 (5) AUX / TAPE P.B.
- S₂ POWER SWITCH
 (1) OFF
 (2) ON
- S₃ LINE VOLTAGE SELECTOR
 OFF / 110V / 120V / 130V / 220V / 240V
- POTENTIOMETERS**
 NON MARK: OHM K: KILOHM
 M: MEGOHM
- CAPACITORS**
 NON MARK: μF
 P: μμF

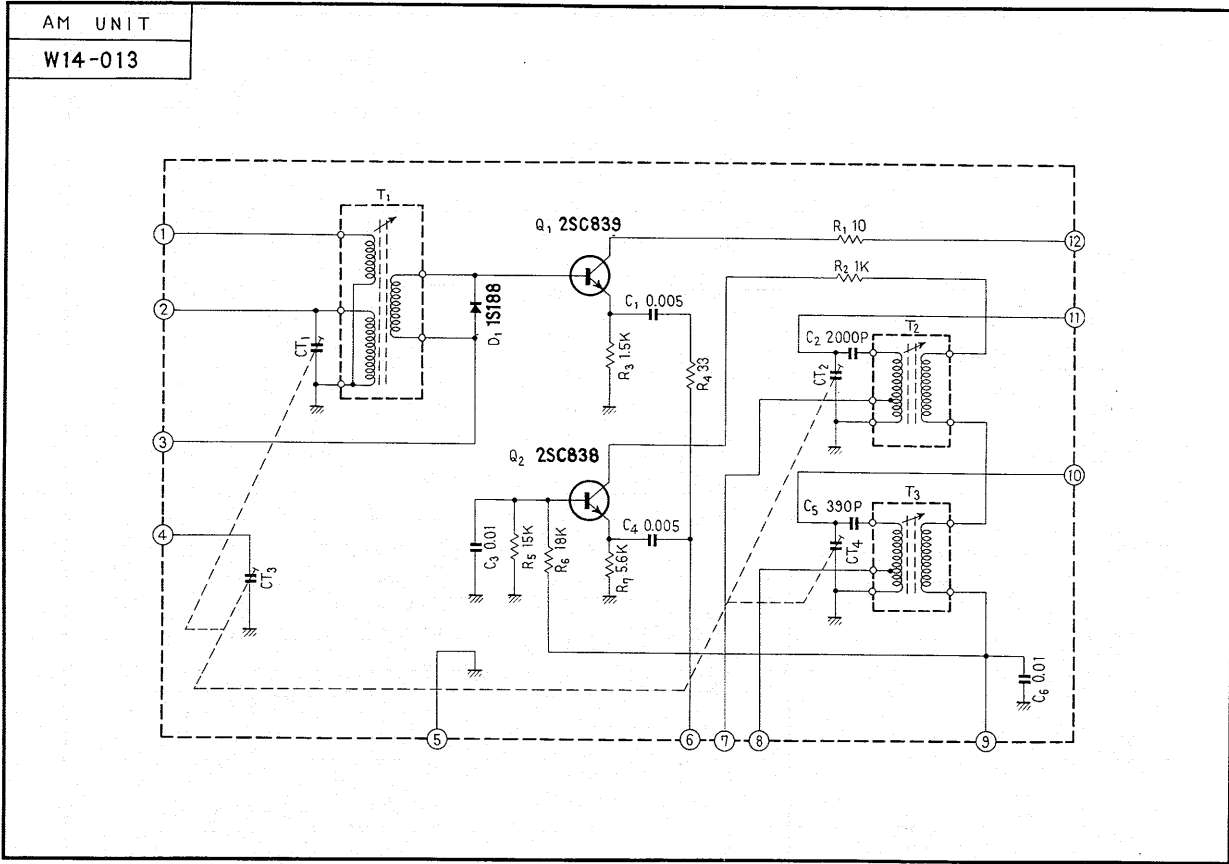
↗ : NO INPUT SIGNAL DC CURRENT
 V : NO INPUT SIGNAL DC VOLTAGE
 (mV) : RIPPLE VOLTAGE
 □ : SIGNAL VOLTAGE AT 6W/8Ω (1KHz)

TUNER UNIT

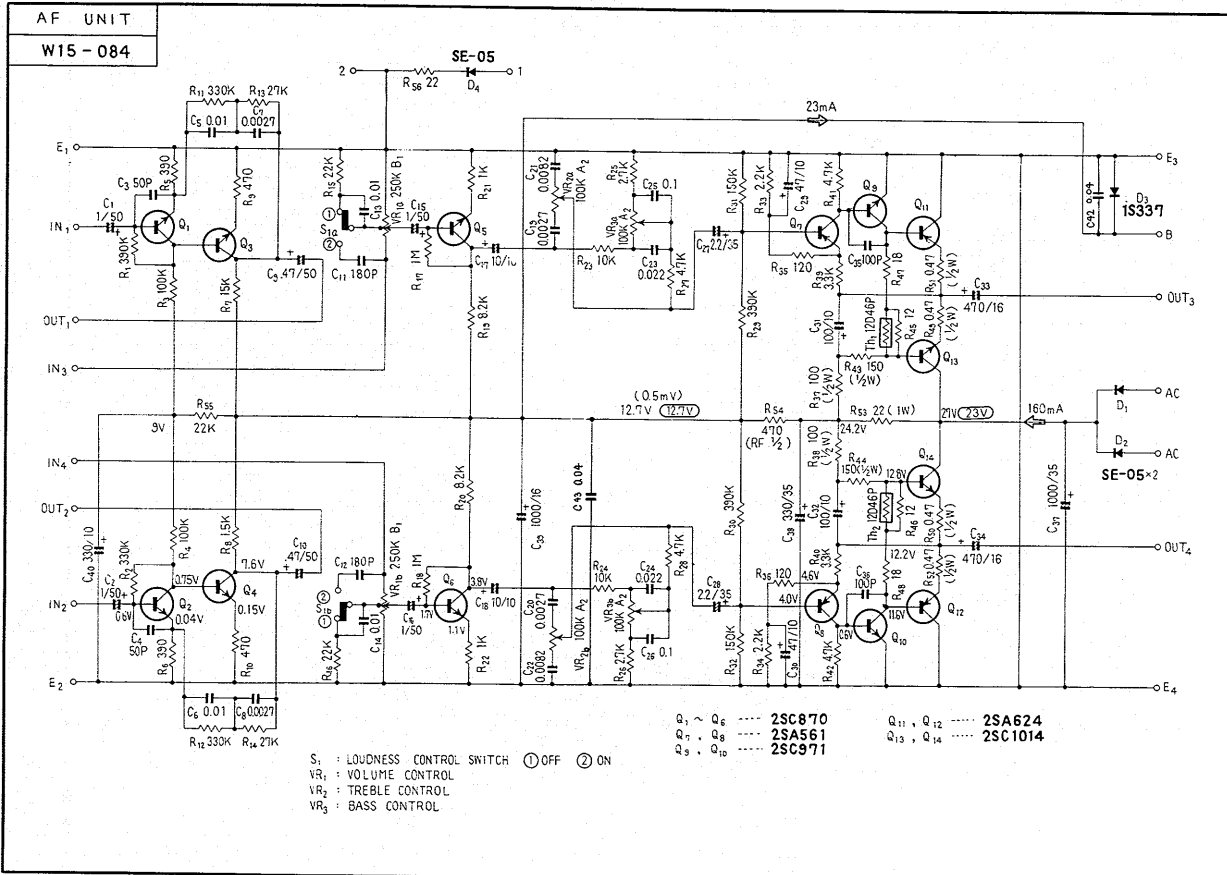
TUNER UNIT
W35-013



AM UNIT



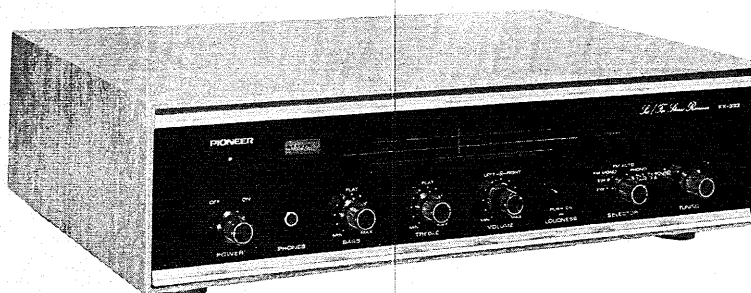
AF UNIT

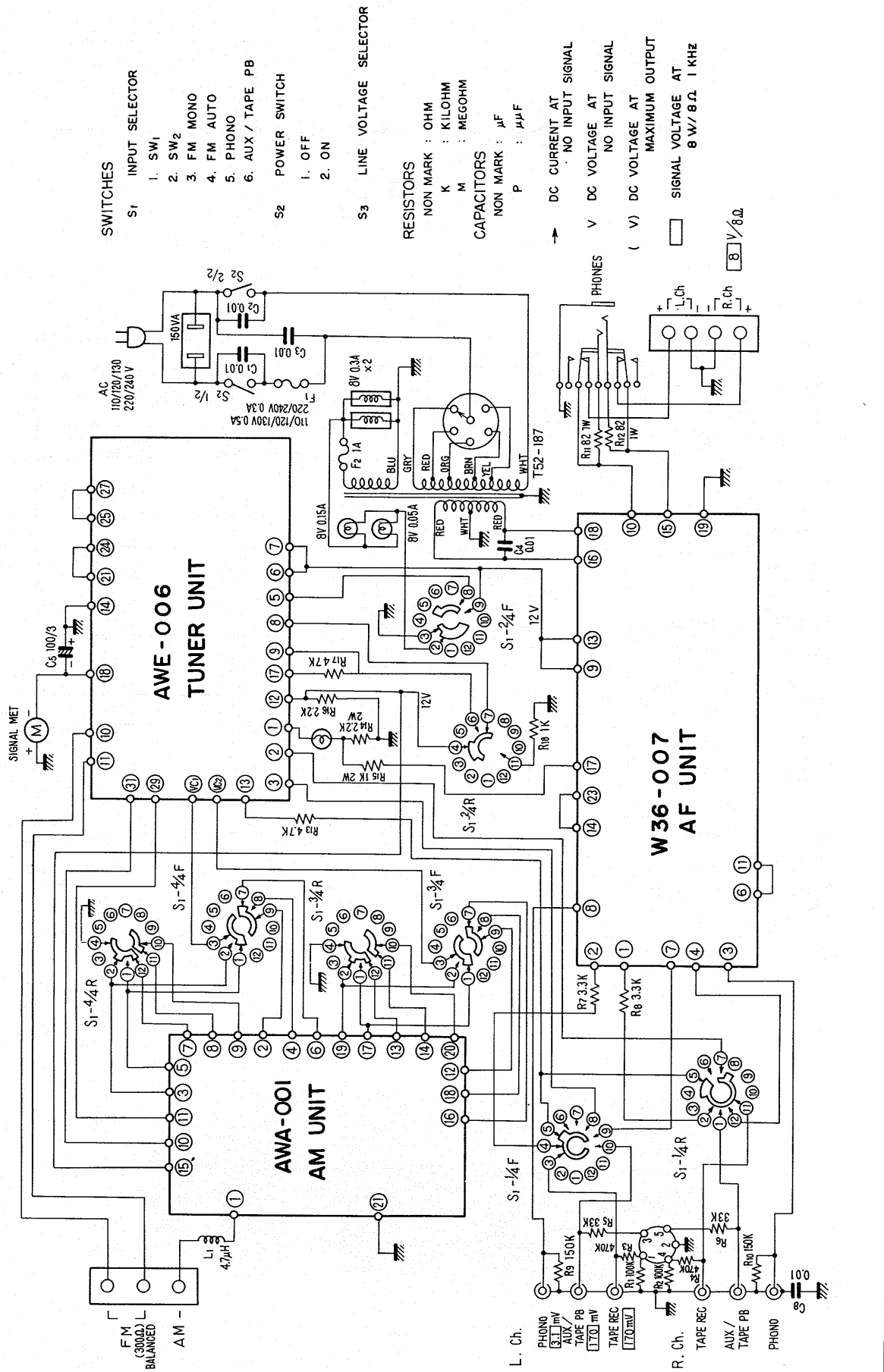


SW/MW/FM STEREO RECEIVER

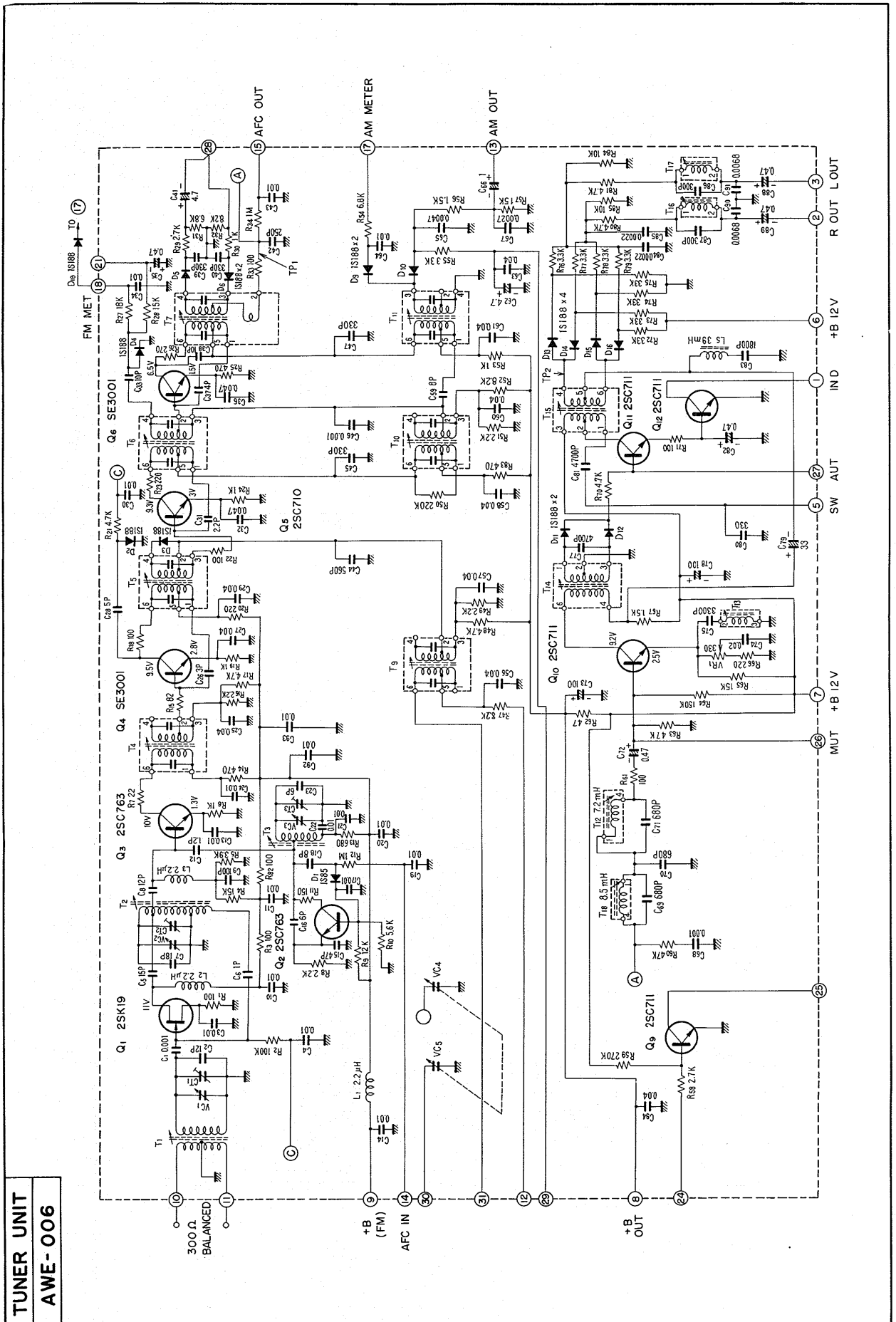
KX-333

UNIT	ROUND LABEL	FSAW				
TUNER UNIT		AWE-006				
FM FRONT END						
FM IF UNIT						
MPX UNIT						
AM UNIT		AWA-001				
MUTING UNIT						
AF UNIT		W36-007				
CONTROL AMP UNIT						
MAIN AMP UNIT						
POWER SUPPLY UNIT						
SWITCH UNIT						
SWITCH UNIT						
SWITCH UNIT						
TONE COLOR UNIT						
CONTROL UNIT						
MIC AMP UNIT						
REVERBE AMP UNIT						
REVERBE UNIT						



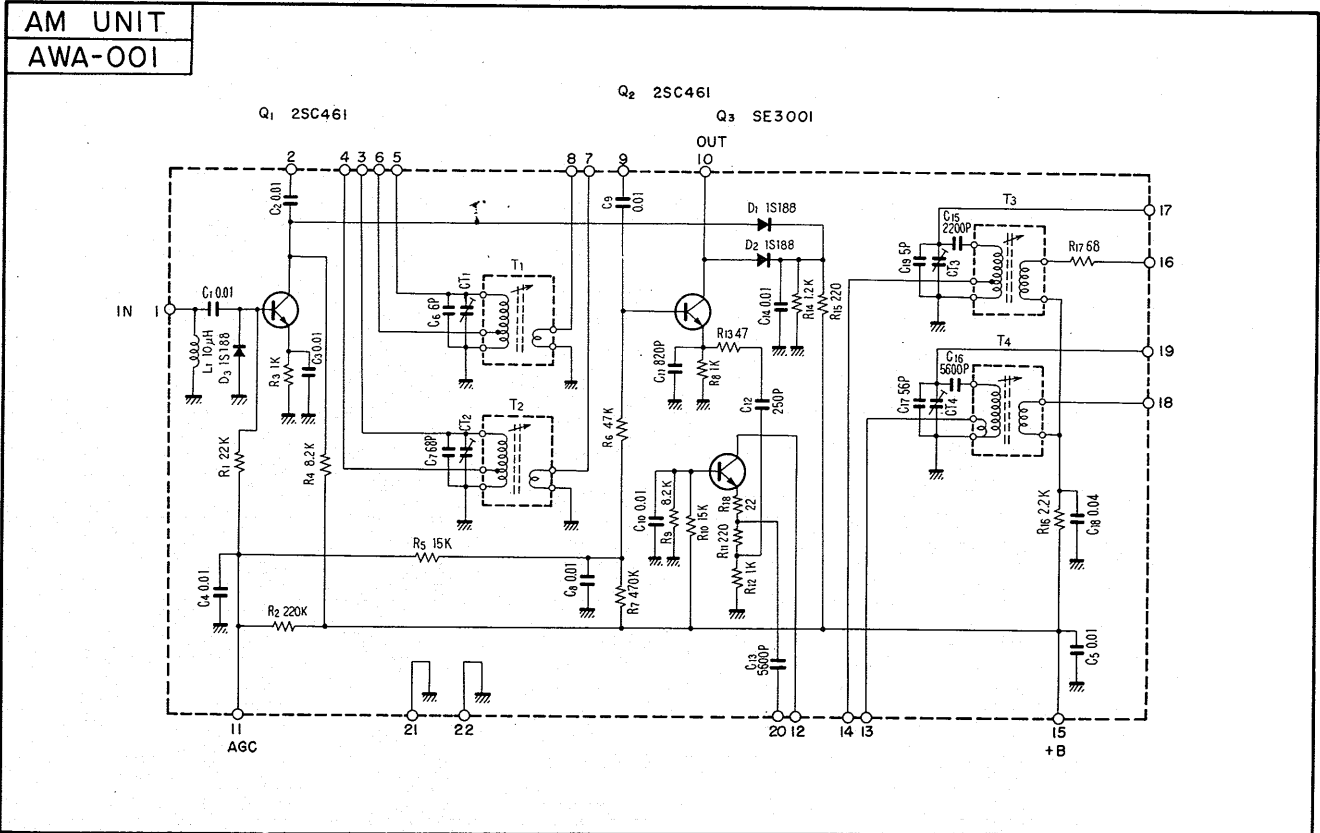


TUNER UNIT

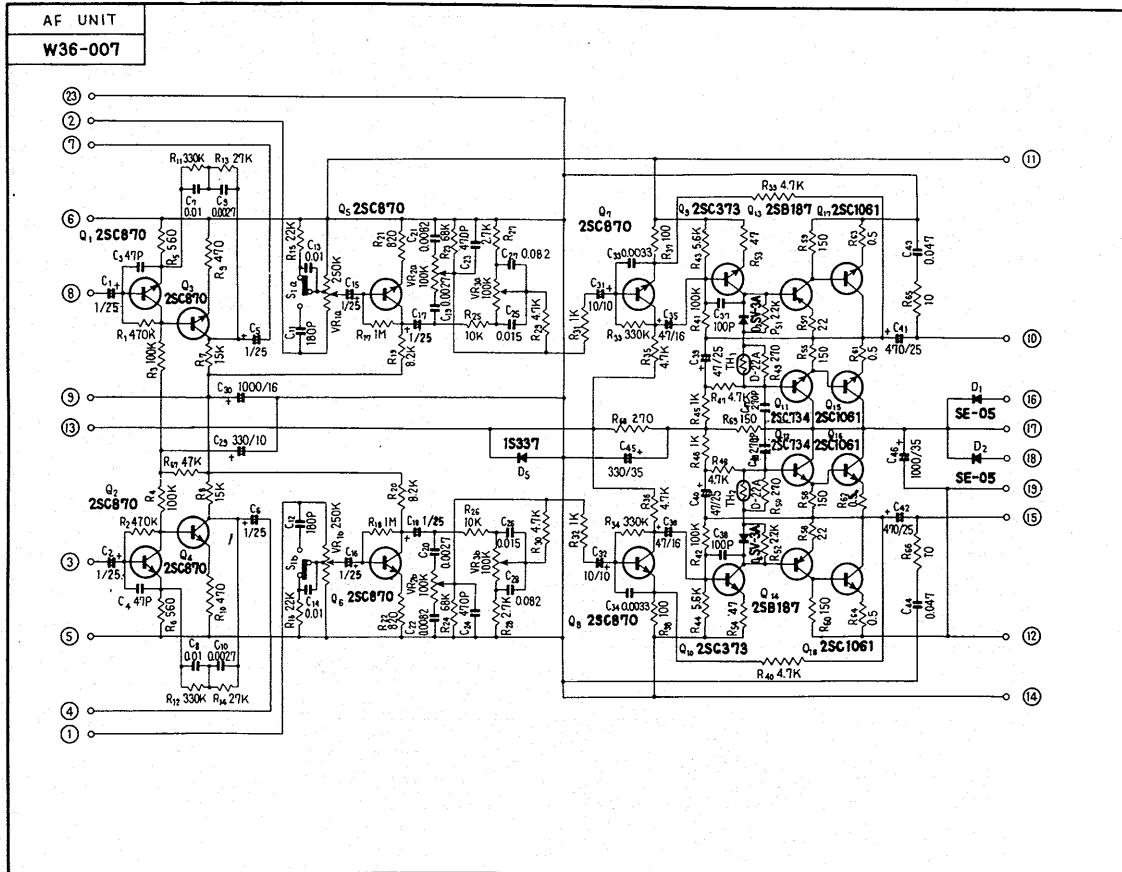


TUNER UNIT
AWE-006

AM UNIT



AF UNIT



SW/MW/FM STEREO RECEIVER

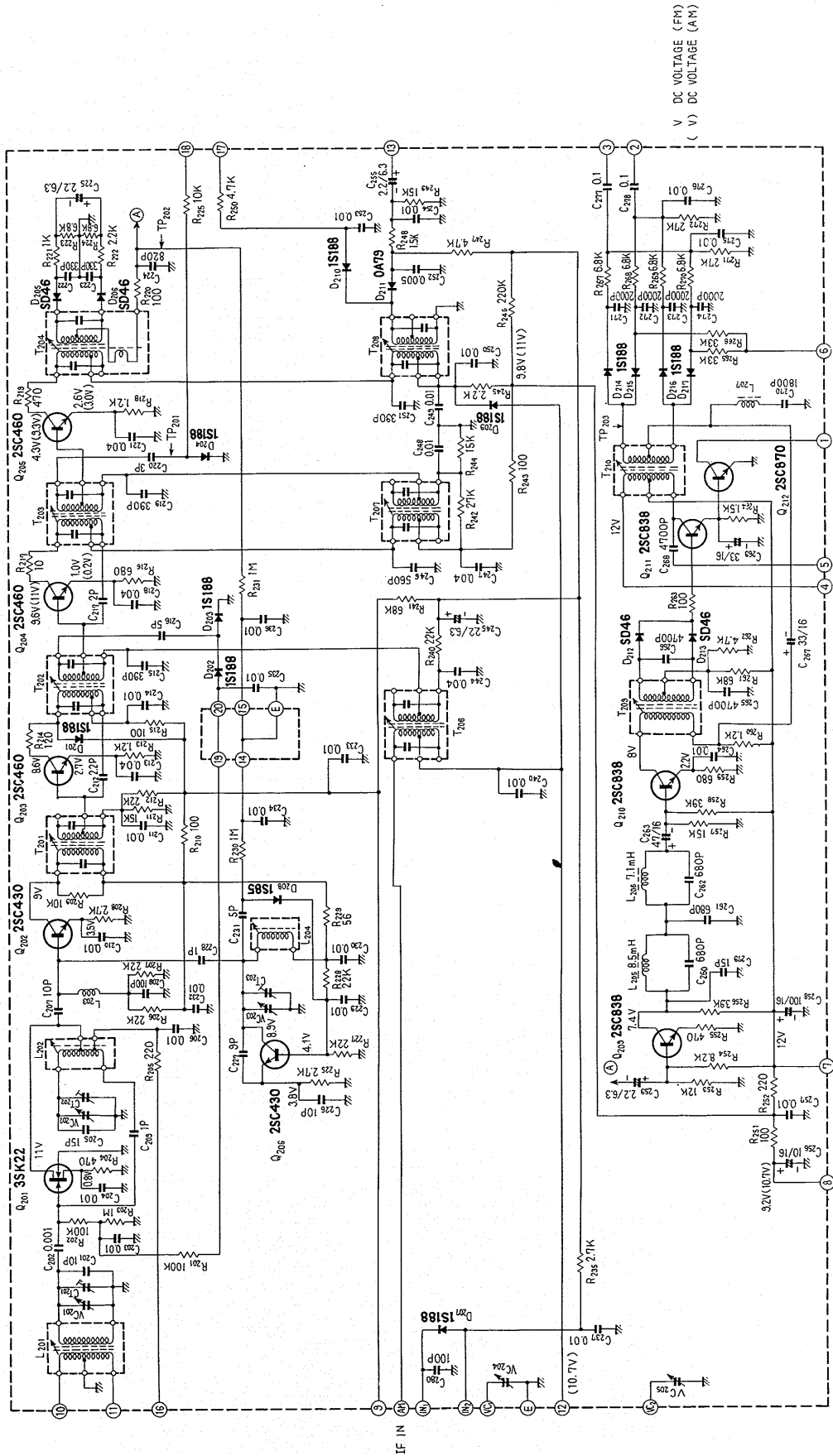
KX-440

UNIT	ROUND LABEL	FSAW					
TUNER UNIT		W35-013					
FM FRONT END							
FM IF UNIT							
MPX UNIT							
AM UNIT		W14-013					
MUTING UNIT							
AUDIO UNIT		W15-073					
CONTROL AMP UNIT							
MAIN AMP UNIT							
POWER SUPPLY UNIT		W16-019					
SWITCH UNIT							
SWITCH UNIT							
SWITCH UNIT							
TONE COLOR UNIT							
CONTROL UNIT							
MIC AMP UNIT							
REVERBE AMP UNIT							
REVERBE UNIT							



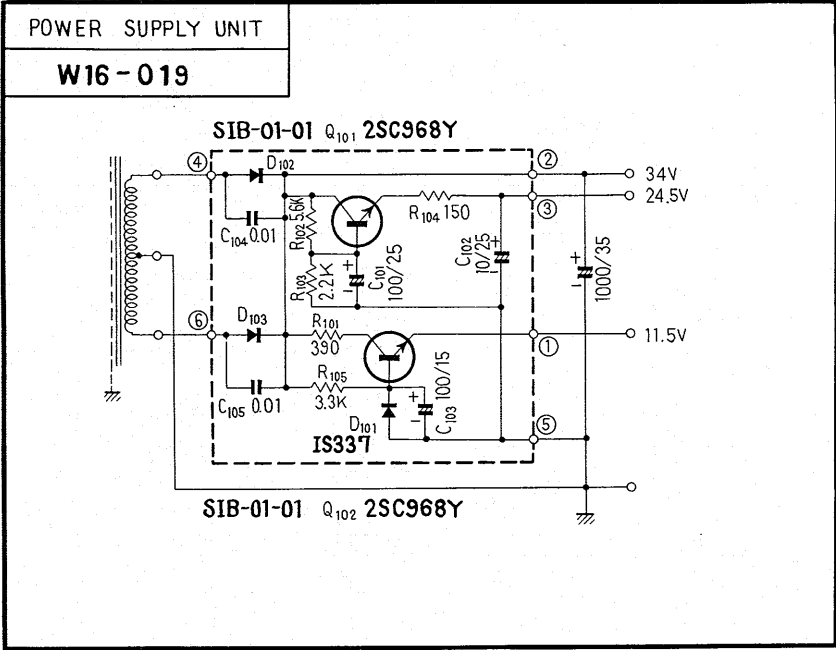
TUNER UNIT

TUNER UNIT
W35-013



V DC VOLTAGE (FM)
(V) DC VOLTAGE (AM)

POWER SUPPLY UNIT

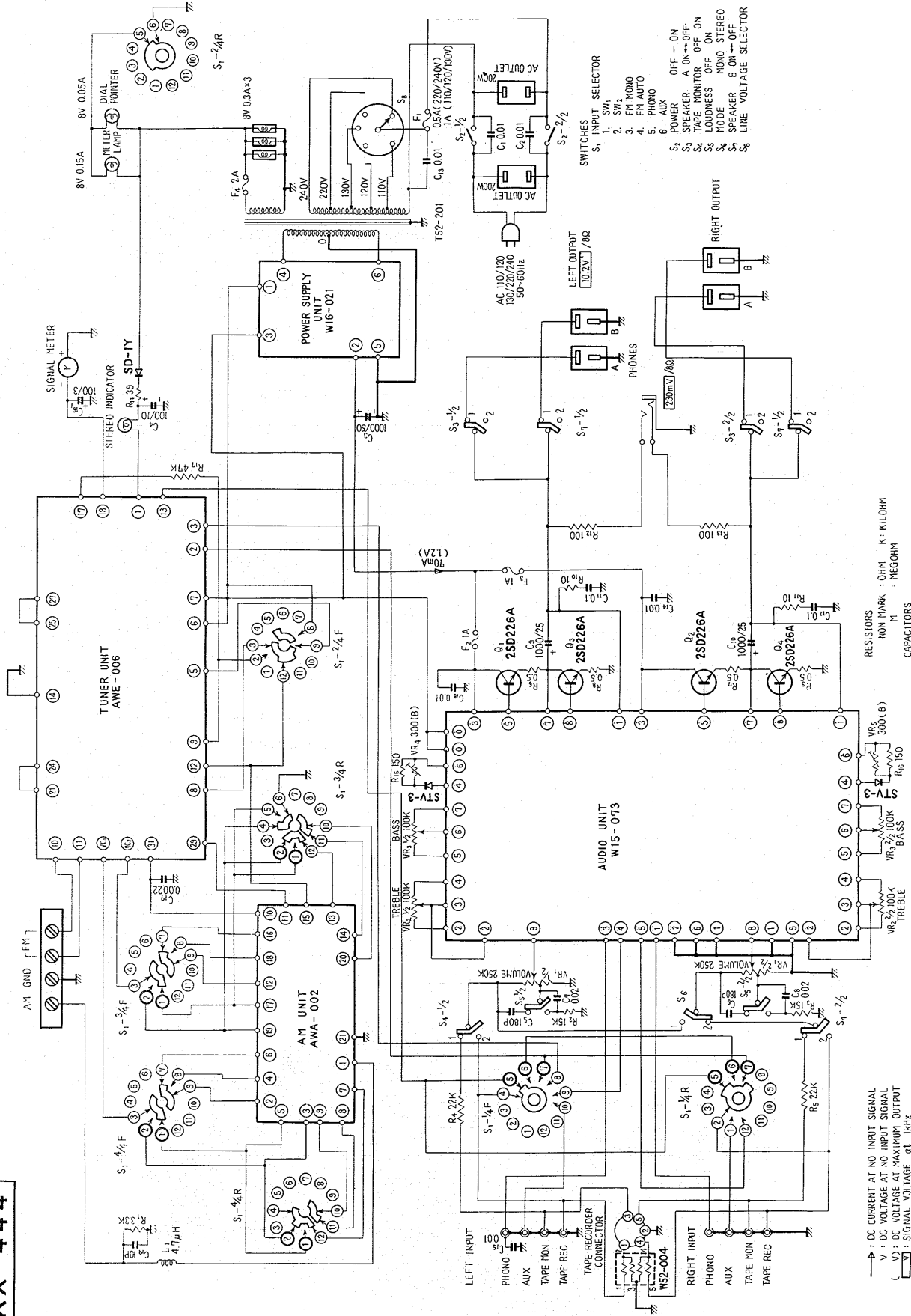


SW/MW/FM STEREO RECEIVER

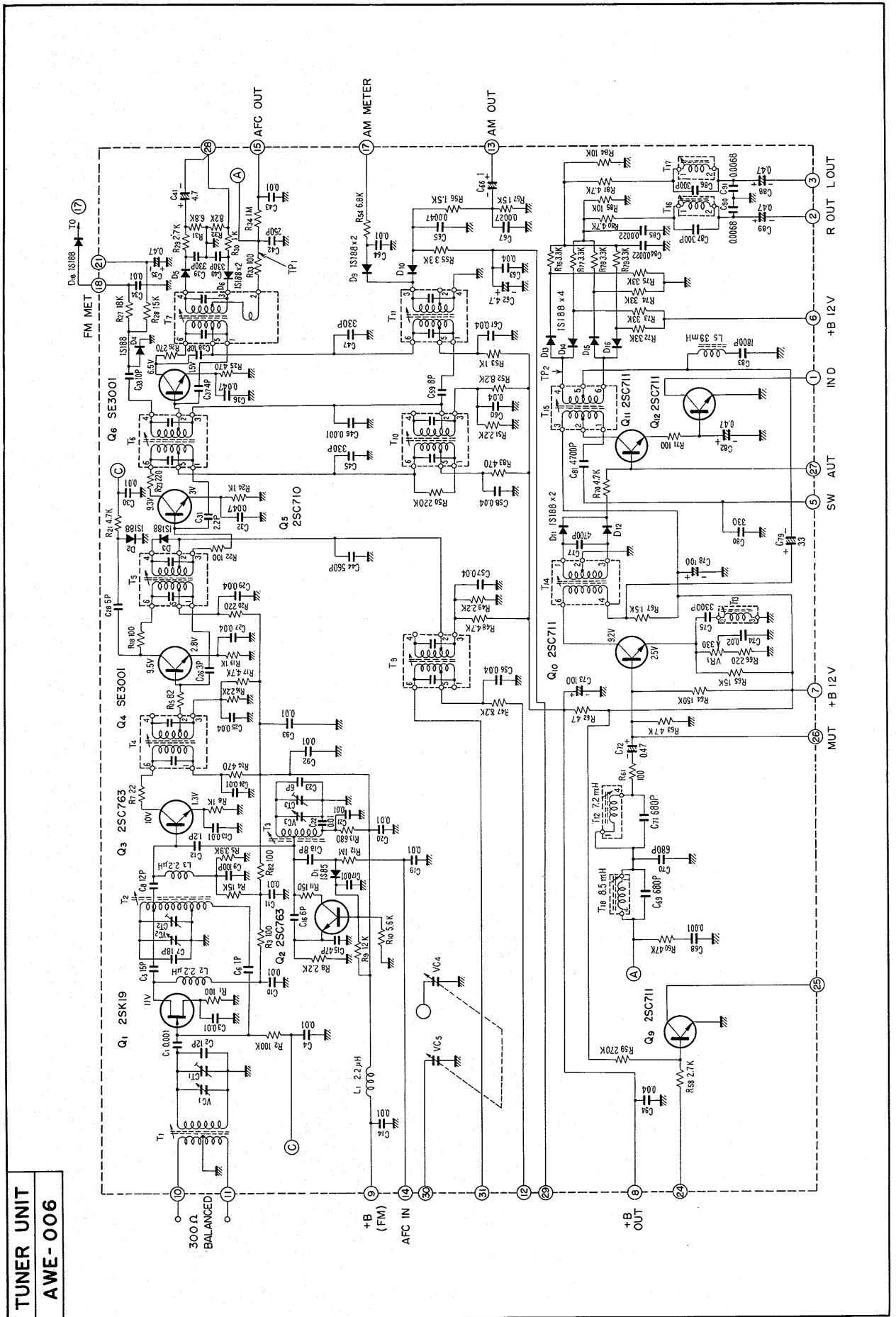
KX-444

UNIT	ROUND LABEL	FSAW					
TUNER UNIT		AWE-006					
FM FRONT END							
FM IF UNIT							
MPX UNIT							
AM UNIT		AWA-002					
MUTING UNIT							
AUDIO UNIT		W15-073					
CONTROL AMP UNIT							
MAIN AMP UNIT							
POWER SUPPLY UNIT		W16-021					
SWITCH UNIT							
SWITCH UNIT							
SWITCH UNIT							
TONE COLOR UNIT							
CONTROL UNIT							
MIC AMP UNIT							
REVERBE AMP UNIT							
REVERBE UNIT							



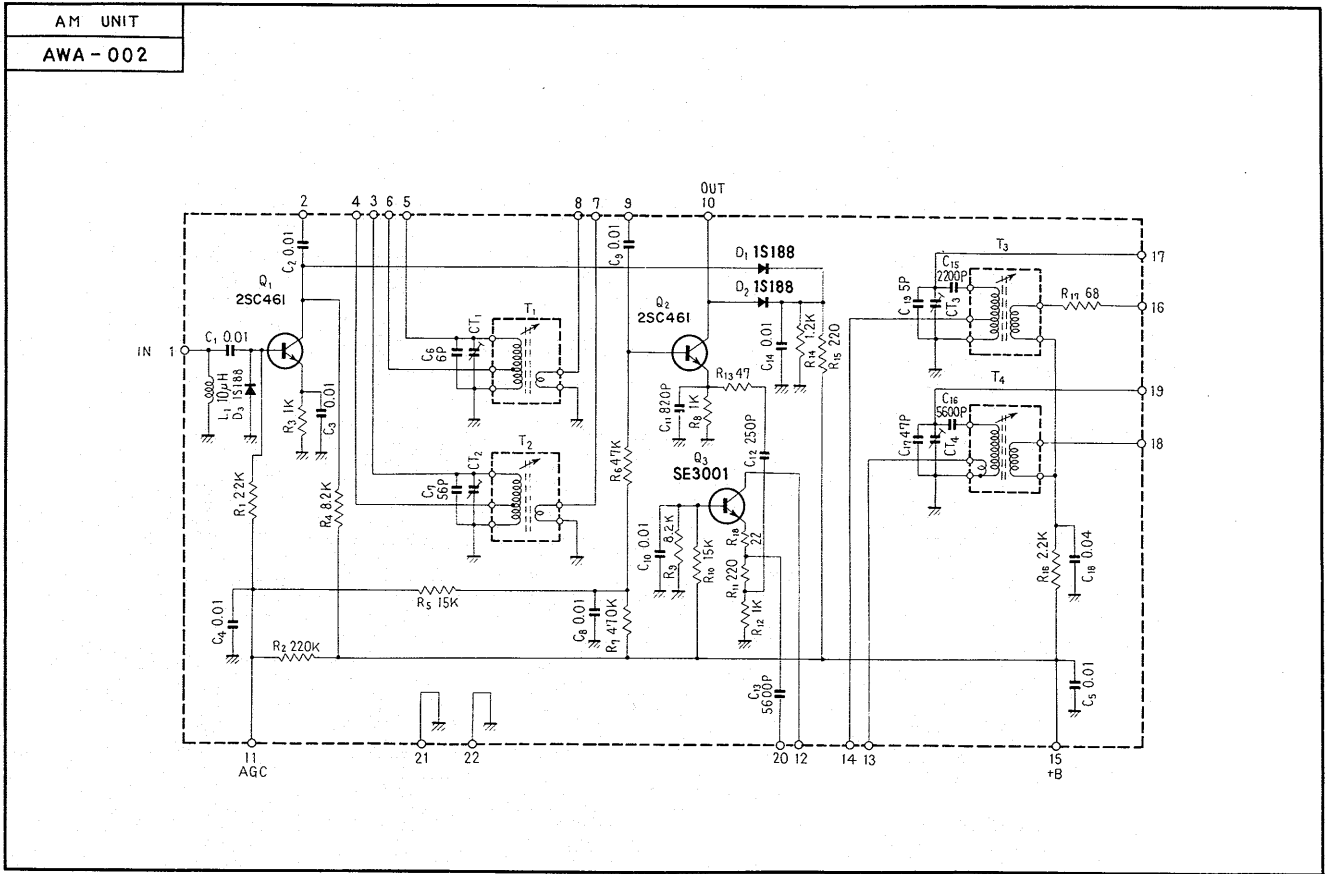


TUNER UNIT

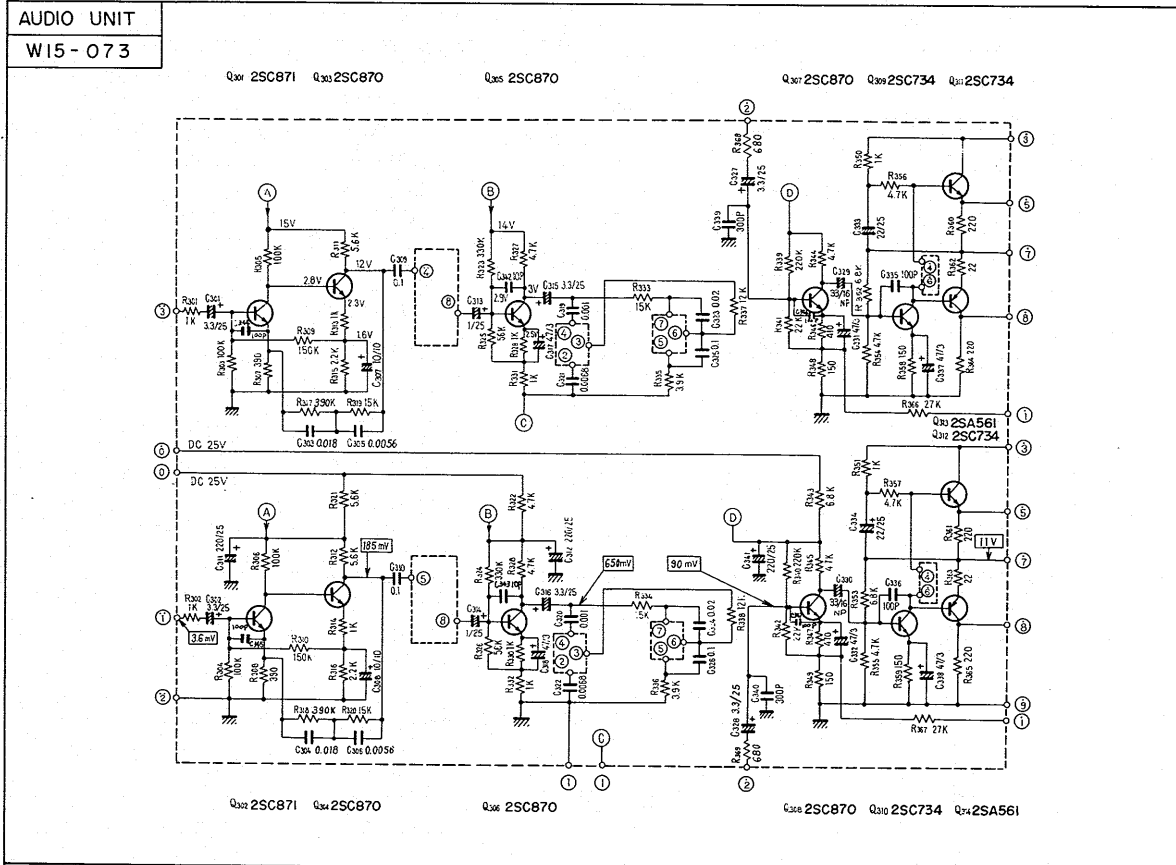


TUNER UNIT
AWE-006

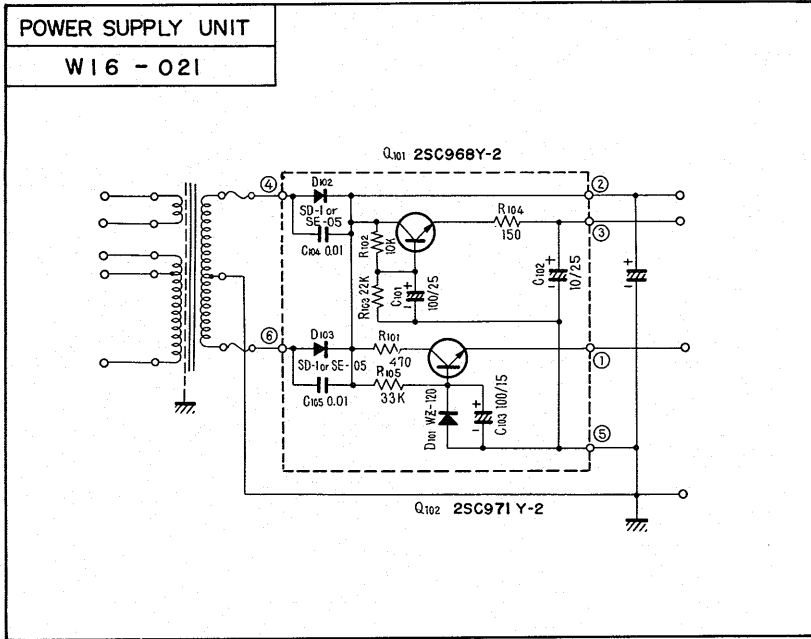
AM UNIT



AUDIO UNIT



POWER SUPPLY UNIT

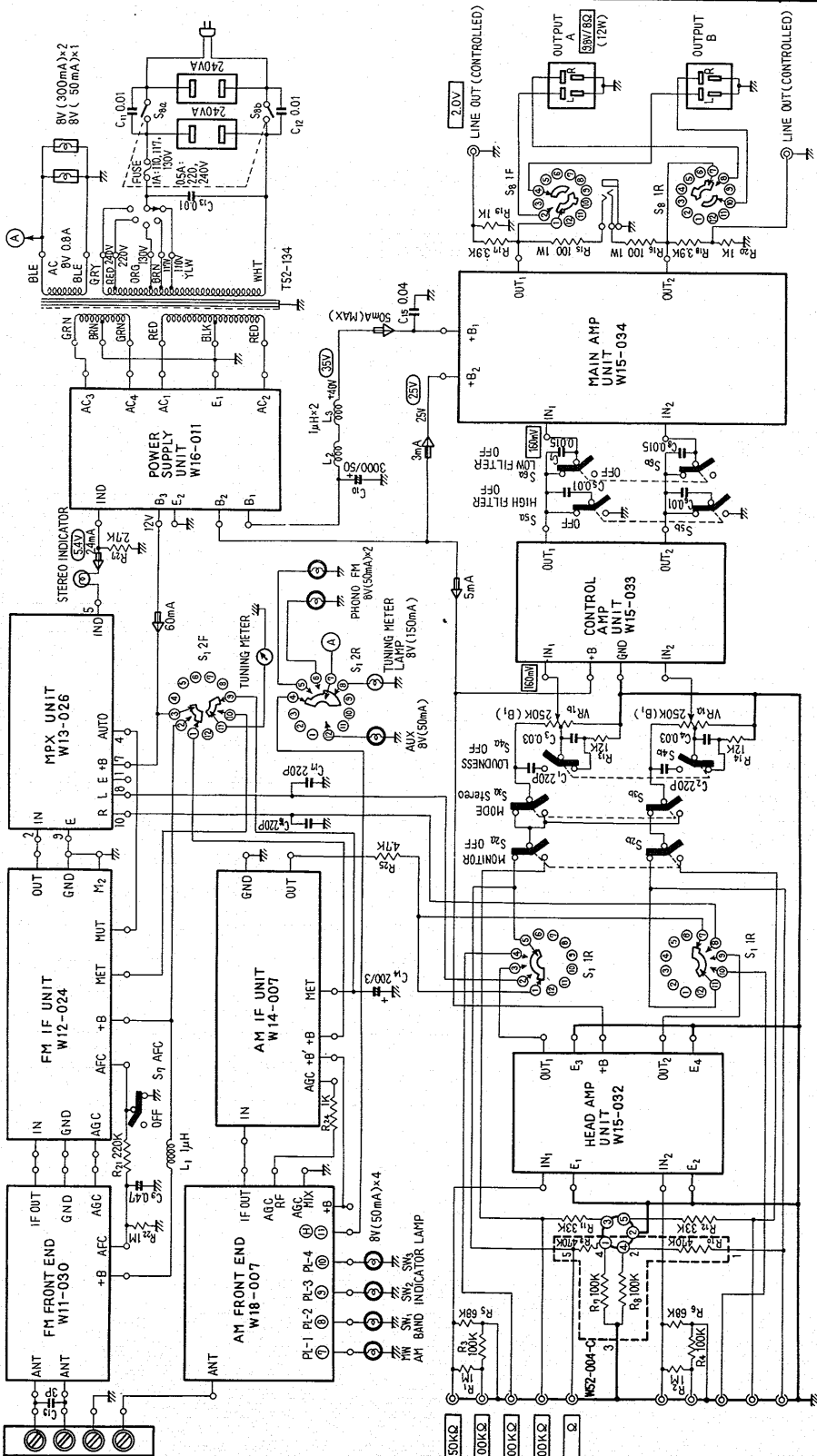


SW/MW/FM STEREO RECEIVER

KX-550

UNIT	ROUND LABEL	FSAW					
AM FRONT END		W18-007					
FM FRONT END		W11-030					
FM IF UNIT		W12-024					
MPX UNIT		W13-026					
AM IF UNIT		W14-007					
MUTING UNIT							
HEAD AMP UNIT		W15-032					
CONTROL AMP UNIT		W15-033					
MAIN AMP UNIT		W15-034					
POWER SUPPLY UNIT		W16-011					
SWITCH UNIT							
SWITCH UNIT							
SWITCH UNIT							
TONE COLOR UNIT							
CONTROL UNIT							
MIC AMP UNIT							
REVERBE AMP UNIT							
REVERBE UNIT							





◀ : NO INPUT SIGNAL DC CURRENT
 V : NO INPUT SIGNAL DC VOLTAGE
 ⊖ : MAX INPUT SIGNAL DC VOLTAGE (ONE CHANNEL)

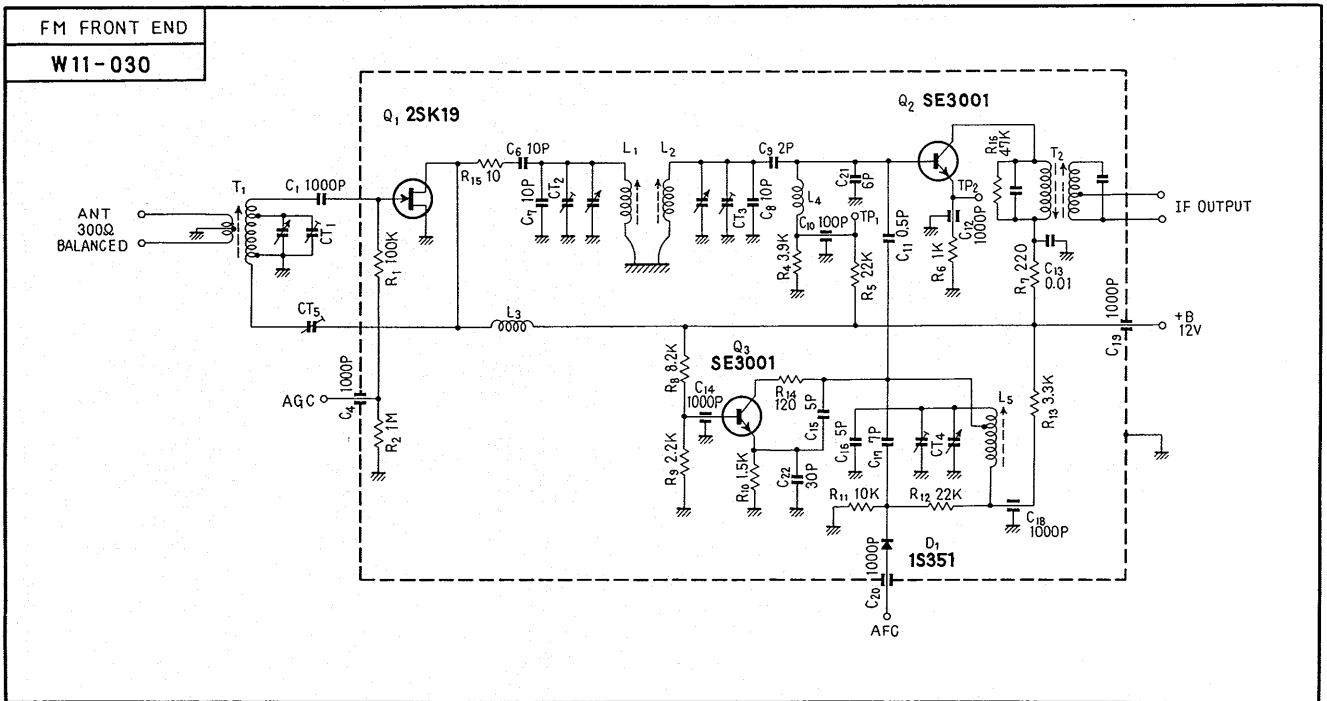
POTENTIOMETER
 VR1, VOLUME CONTROL
 RESISTORS
 NON MARK : OHM K: KILOHM
 M: MEGOHM W: WATT
 NON MARK : COMPOSITION 1/4 WATT

CAPACITORS
 NON MARK : μF P: μμF

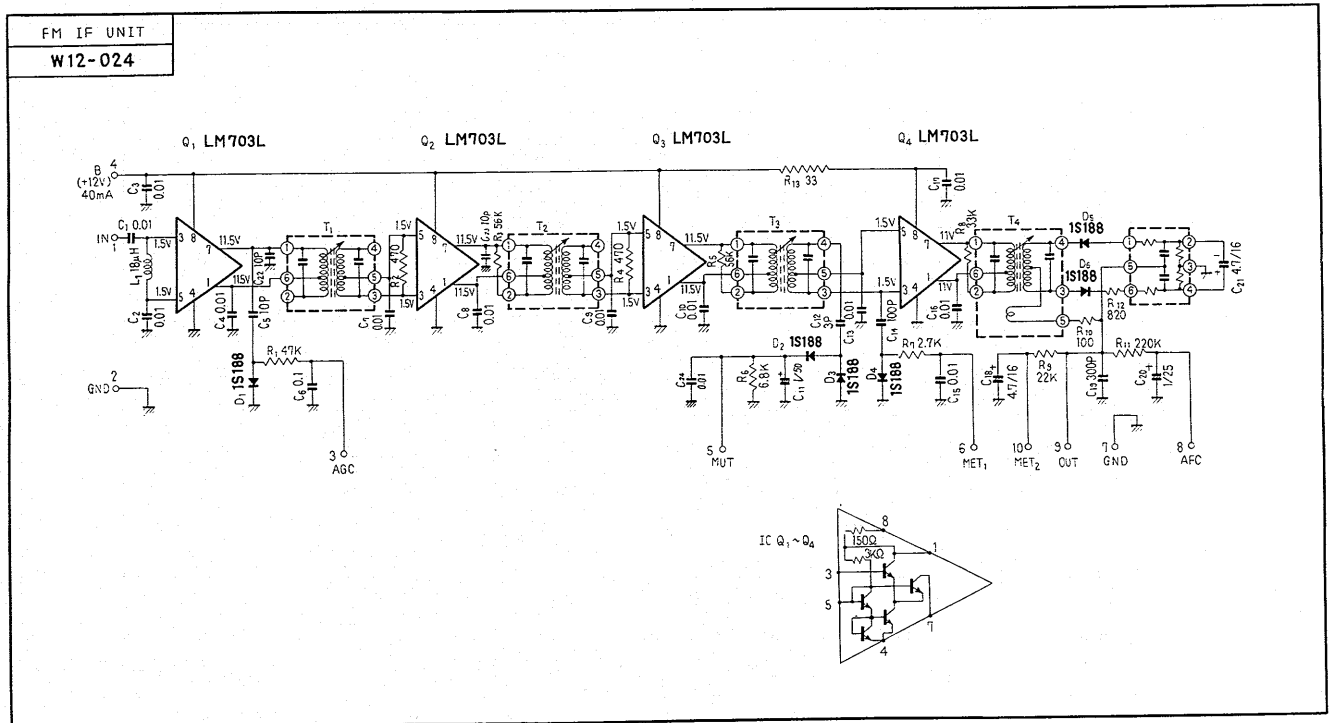
S1 INPUT SELECTOR
 (1) AM (2) FM AUTO (3) PHONO (4) AUX
 S2 TAPE MONITOR OFF ↔ ON
 S3 MODE STEREO ↔ MONO
 S4 LOUDNESS OFF ↔ ON
 S5 HIGH CUT FILTER OFF ↔ ON
 S6 LOW CUT FILTER OFF ↔ ON
 S7 AFC OFF ↔ ON
 S8 OUTPUT SELECTOR
 (1) POWER OFF (2) A (3) SPRK'S OFF (4) B (5) A+B

- PHONO MAG 2.0 mV / 50KΩ
- PHONO CER 50 mV / 100KΩ
- AUX 200 mV / 100KΩ
- TAPE MON. 200 mV / 100KΩ
- TAPE REC 200 mV / Ω

FM FRONT END

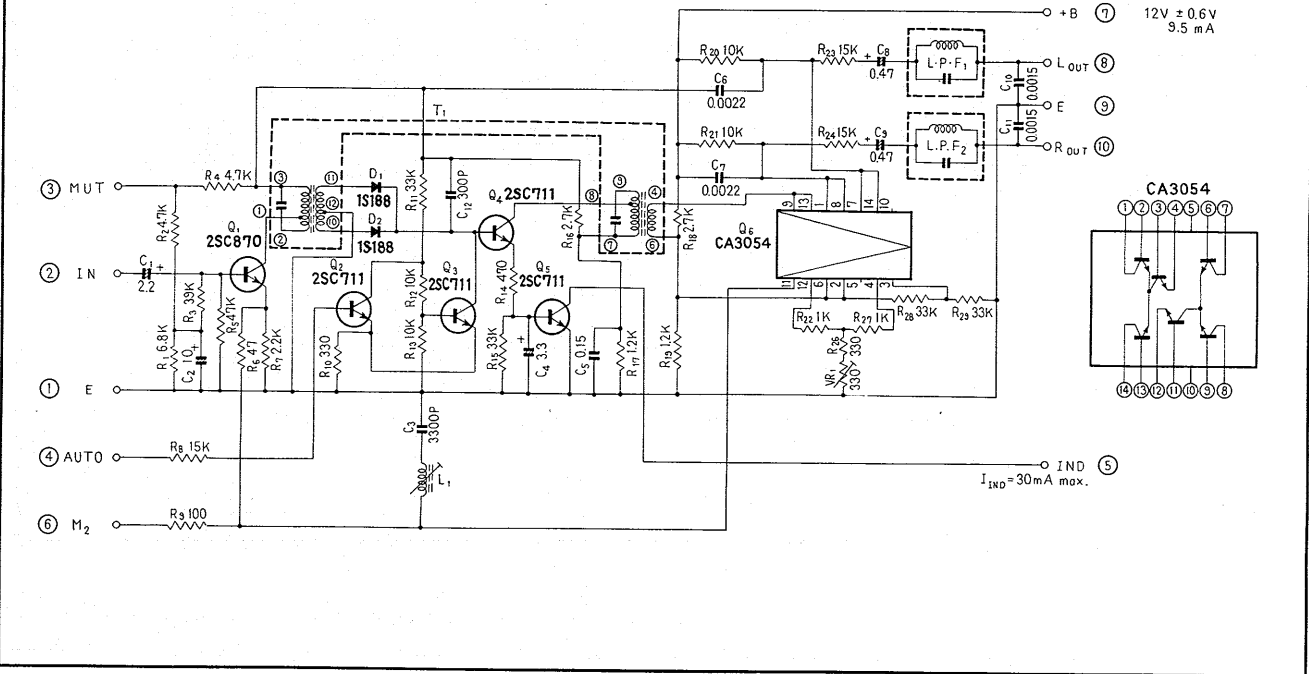


FM IF UNIT



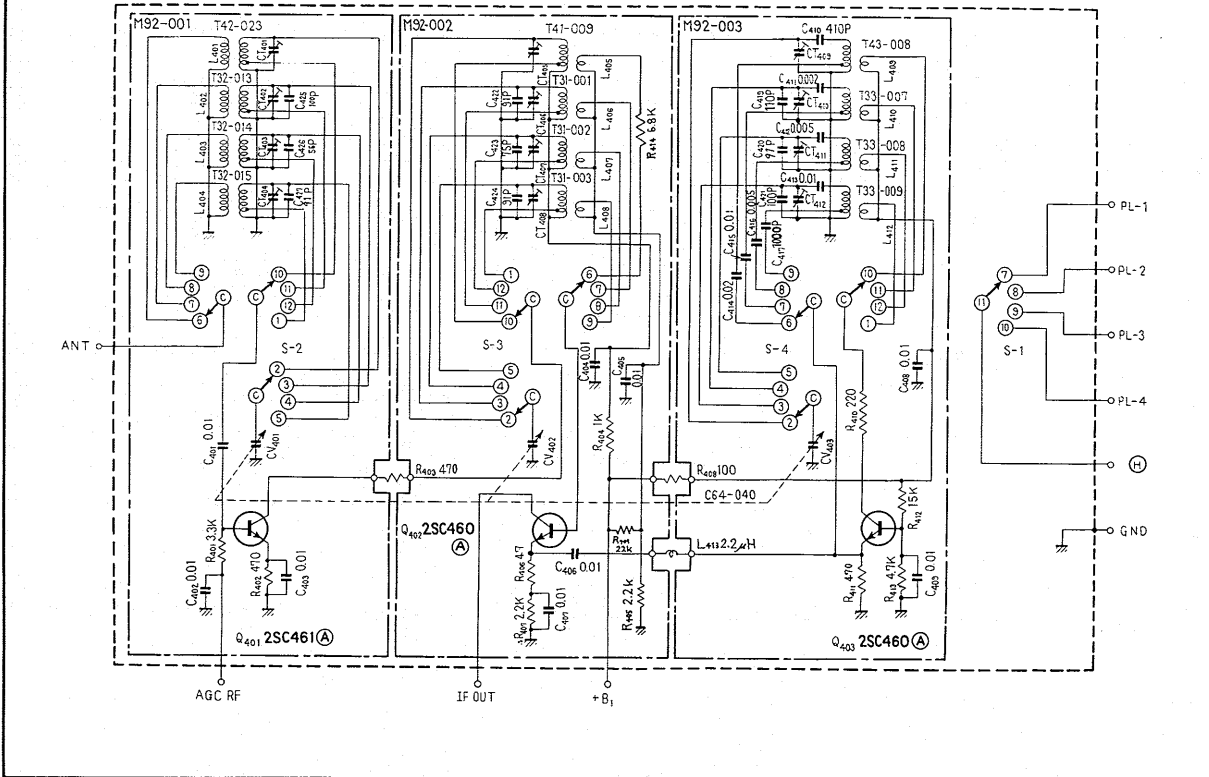
MPX UNIT

MPX UNIT
W13-026

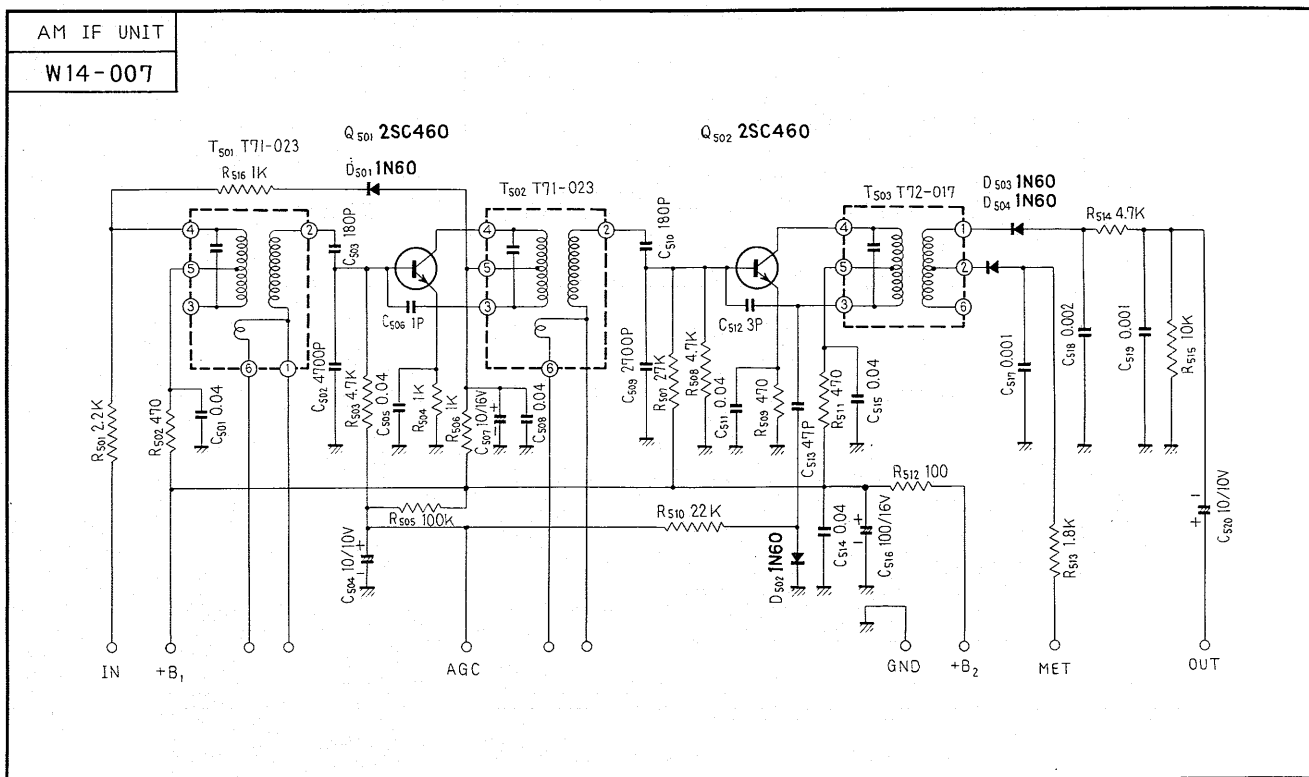


AM FRONT END

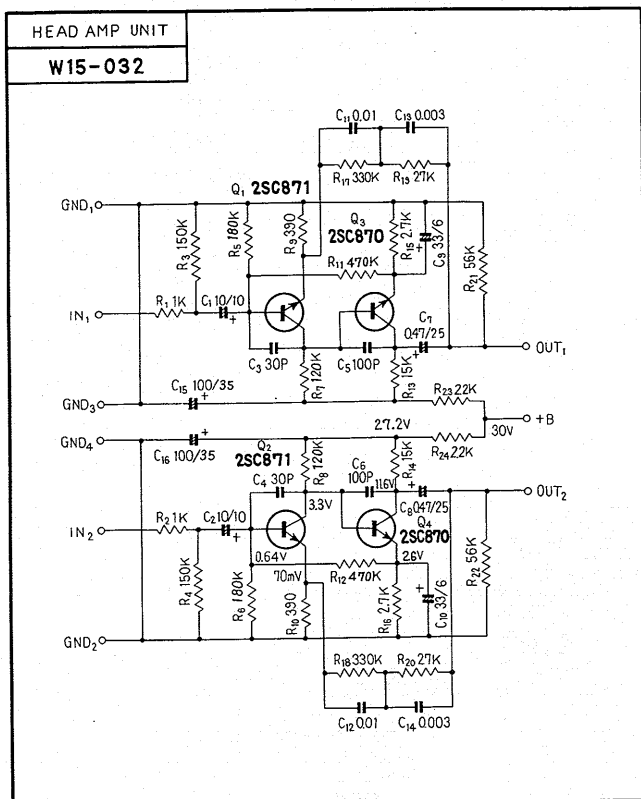
AM FRONT END
W18-007



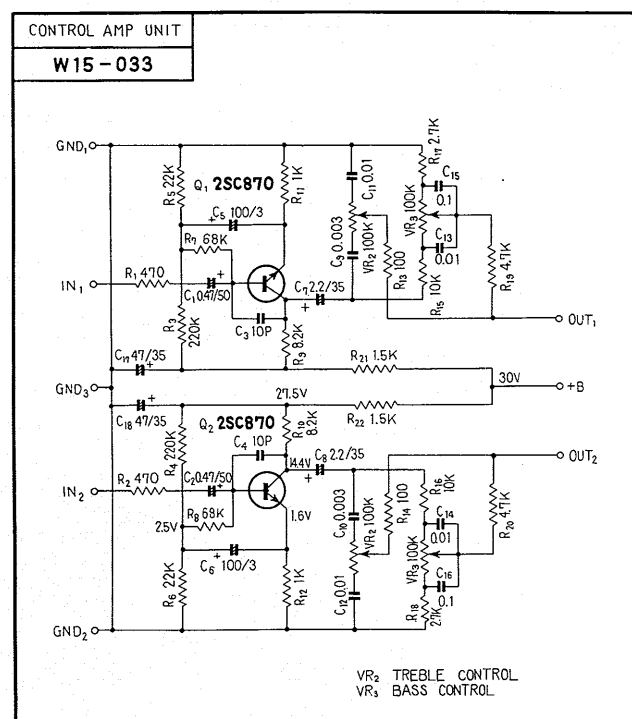
AM IF UNIT



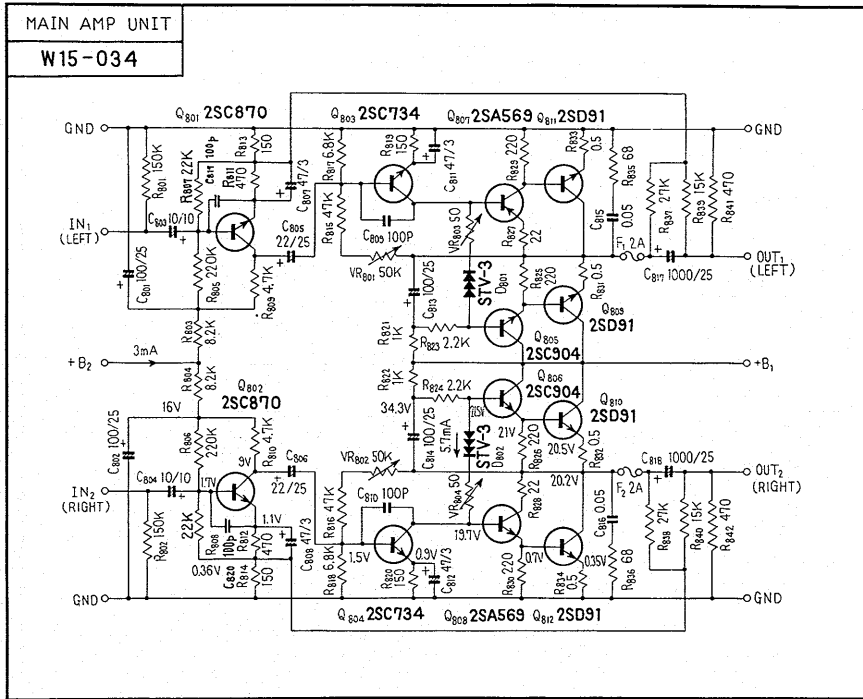
HEAD AMP UNIT



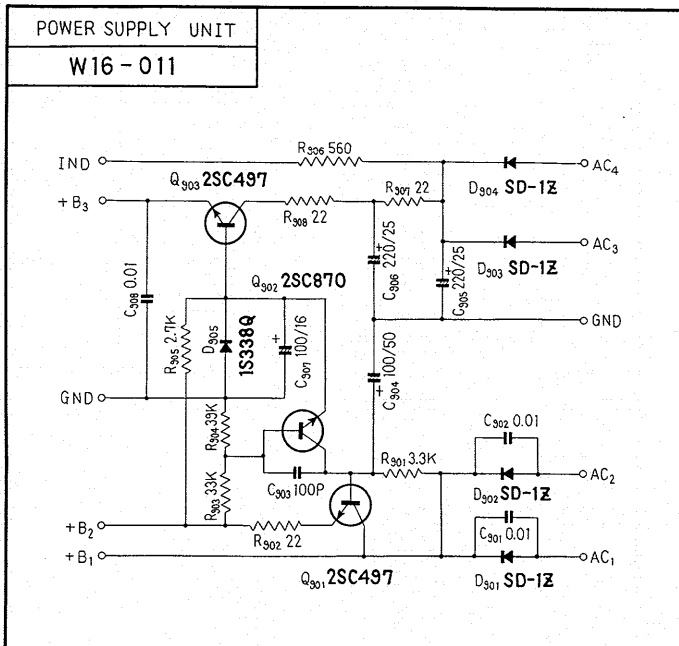
CONTROL AMP UNIT



MAIN AMP UNIT

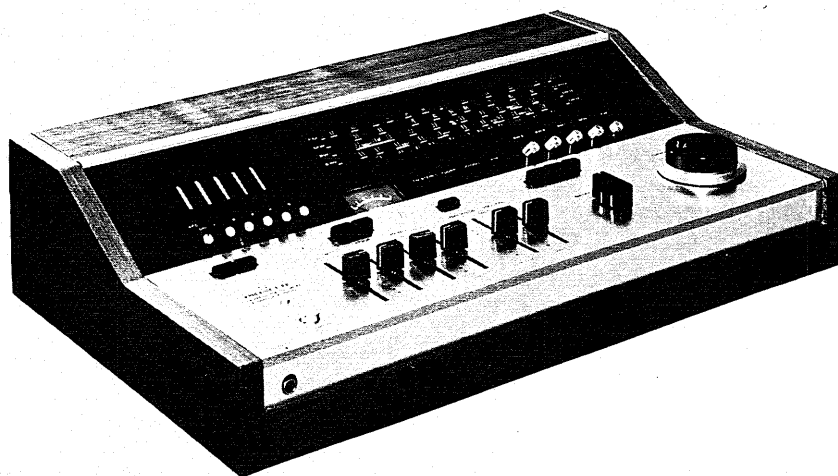


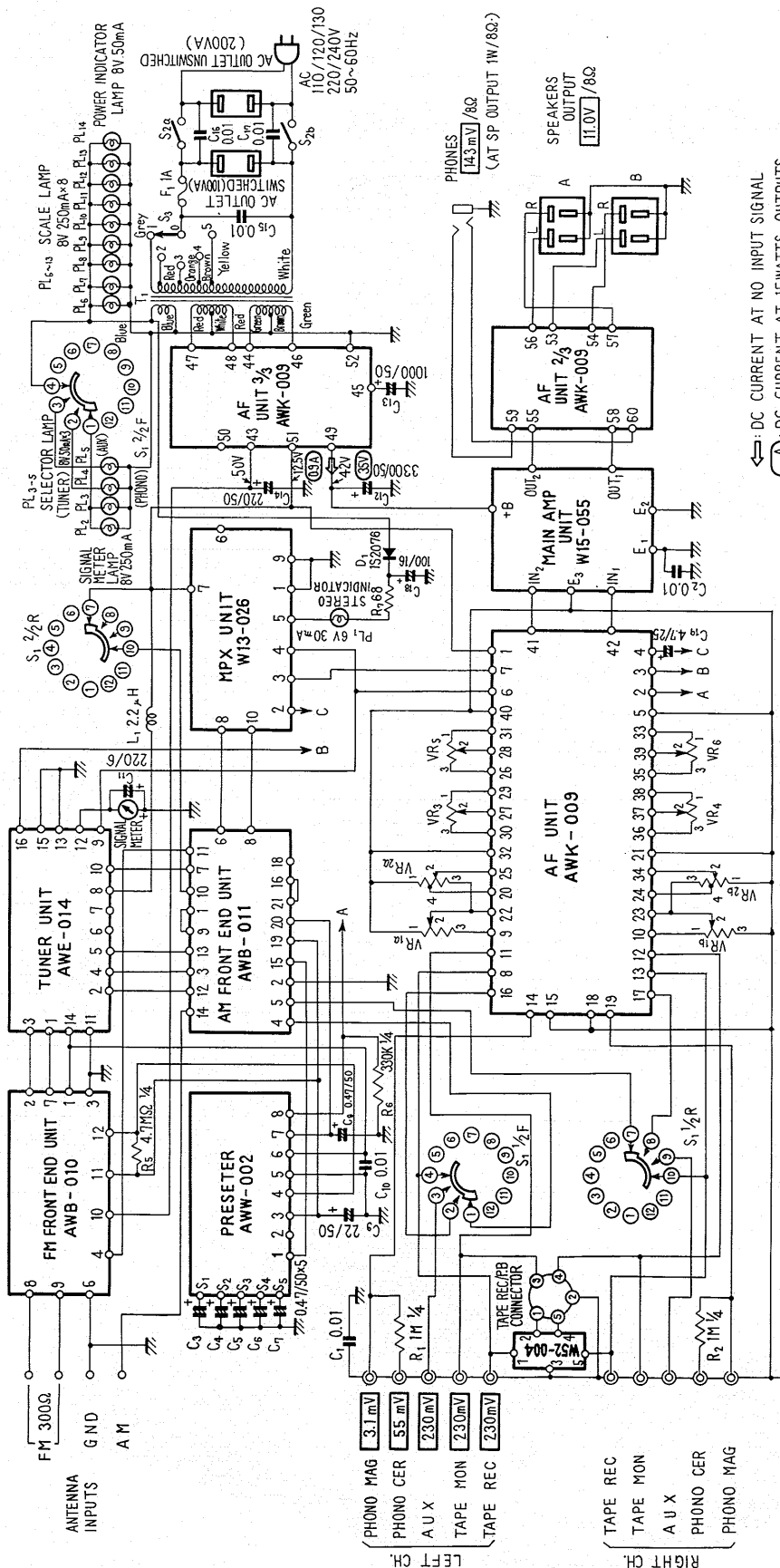
POWER SUPPLY UNIT



SW/MW/FM STEREO RECEIVER KX-555

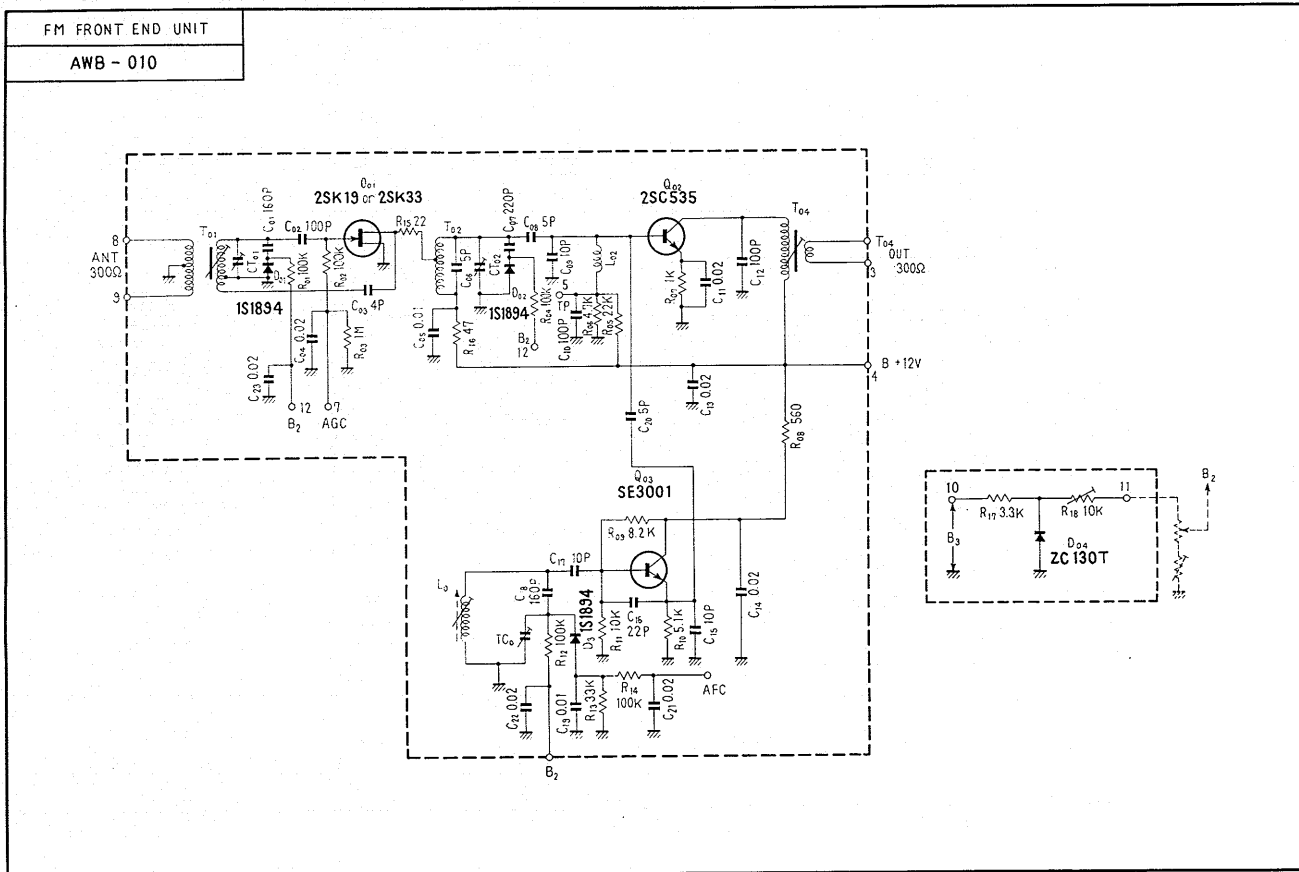
UNIT	ROUND LABEL	FSAW					
FM FRONT END UNIT	AWB-010						
TUNER UNIT	AWE-014						
MPX UNIT	W13-026						
AM FRONT END UNIT	AWB-011						
MUTING UNIT							
AF UNIT	AWK-009						
CONTROL AMP UNIT							
MAIN AMP UNIT	W15-055						
POWER SUPPLY UNIT							
SWITCH UNIT							
PRESETTER	AWW-002						
SWITCH UNIT							
TONE COLOR UNIT							
CONTROL UNIT							
MIC AMP UNIT							
REVERBE AMP UNIT							
REVERBE UNIT							



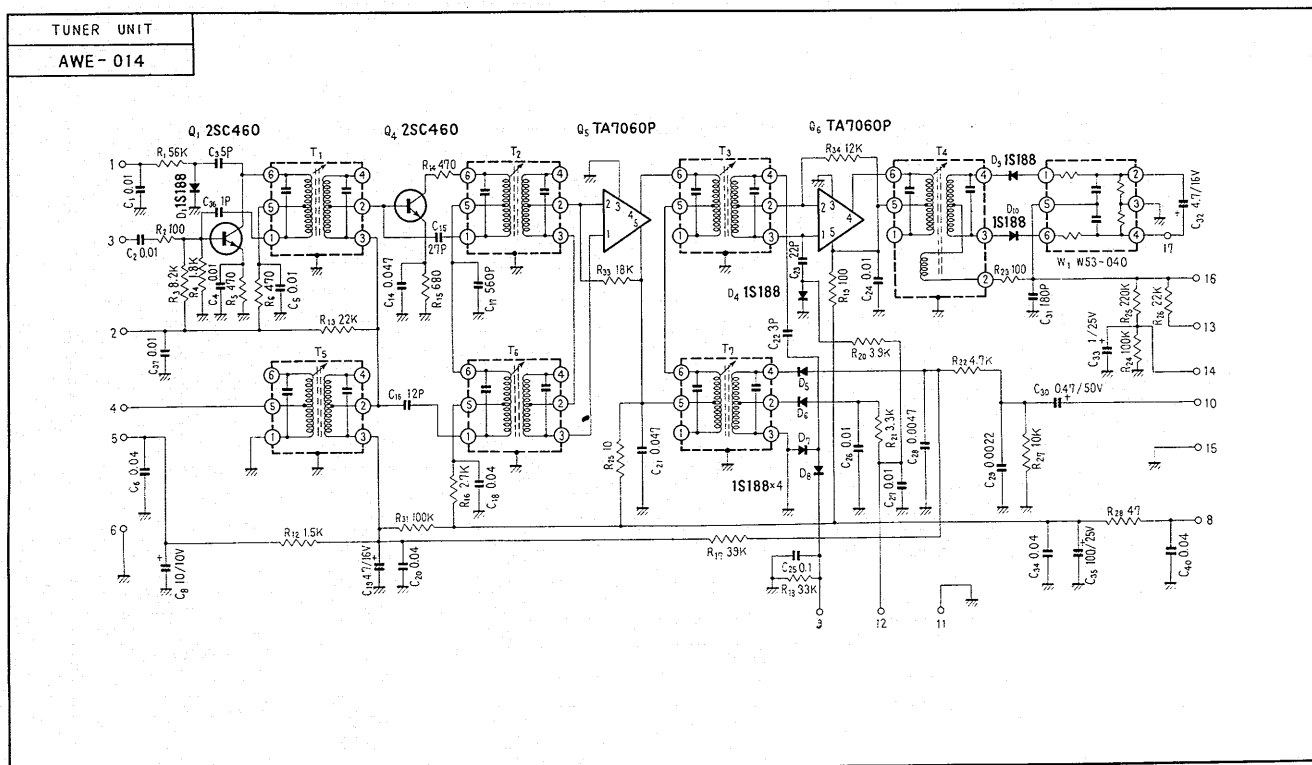


- S₁ SELECTOR SWITCH**
 1. TUNER
 2. PHONO
 3. AUX
 OFF → ON
 S₂ POWER SWITCH
 OFF → ON
 S₃ LINE VOLTAGE SELECTOR
 OFF/110/120/130/220/240V
- VR₁ BALANCE CONTROL**
 LEFT ↔ RIGHT
VR₂ VOLUME CONTROL
 MIN ↔ MAX
VR_{3,4} BASS CONTROL
 MIN ↔ MAX
VR_{5,6} TREBLE CONTROL
 MIN ↔ MAX
- NOTES:**
 RESISTORS
 ΩHM : ¼ WATT
 K : KΩ
 CAPACITORS
 μF
 P : pF
- ⇐ : DC CURRENT AT NO INPUT SIGNAL
 A : DC CURRENT AT 15WATTS OUTPUTS
 V : DC VOLTAGE AT NO INPUT SIGNAL
 V : DC VOLTAGE AT 15WATTS OUTPUTS
 V : SIGNAL VOLTAGE ACQUIRER 15WATTS OUTPUTS AT 1kHz (RMS)

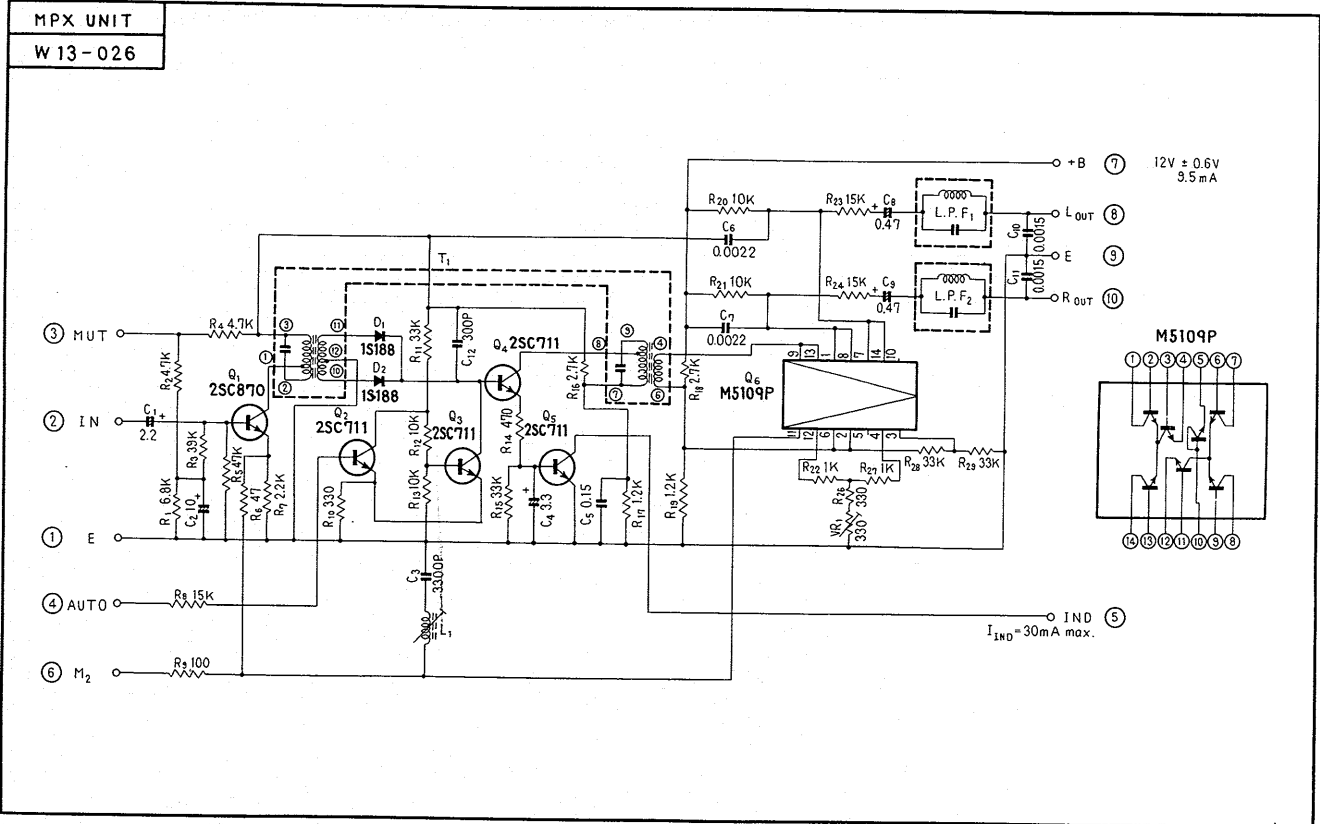
FM FRONT END UNIT



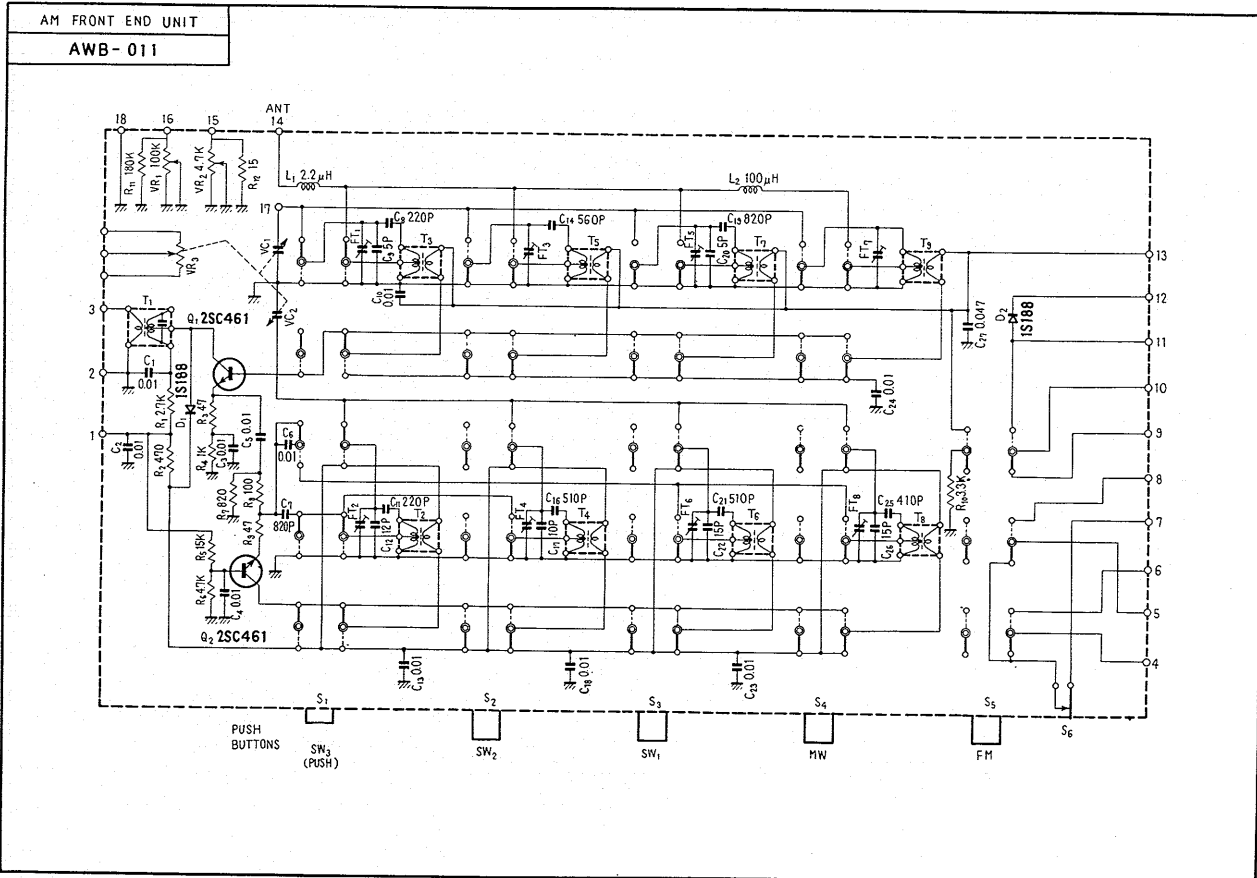
TUNER UNIT



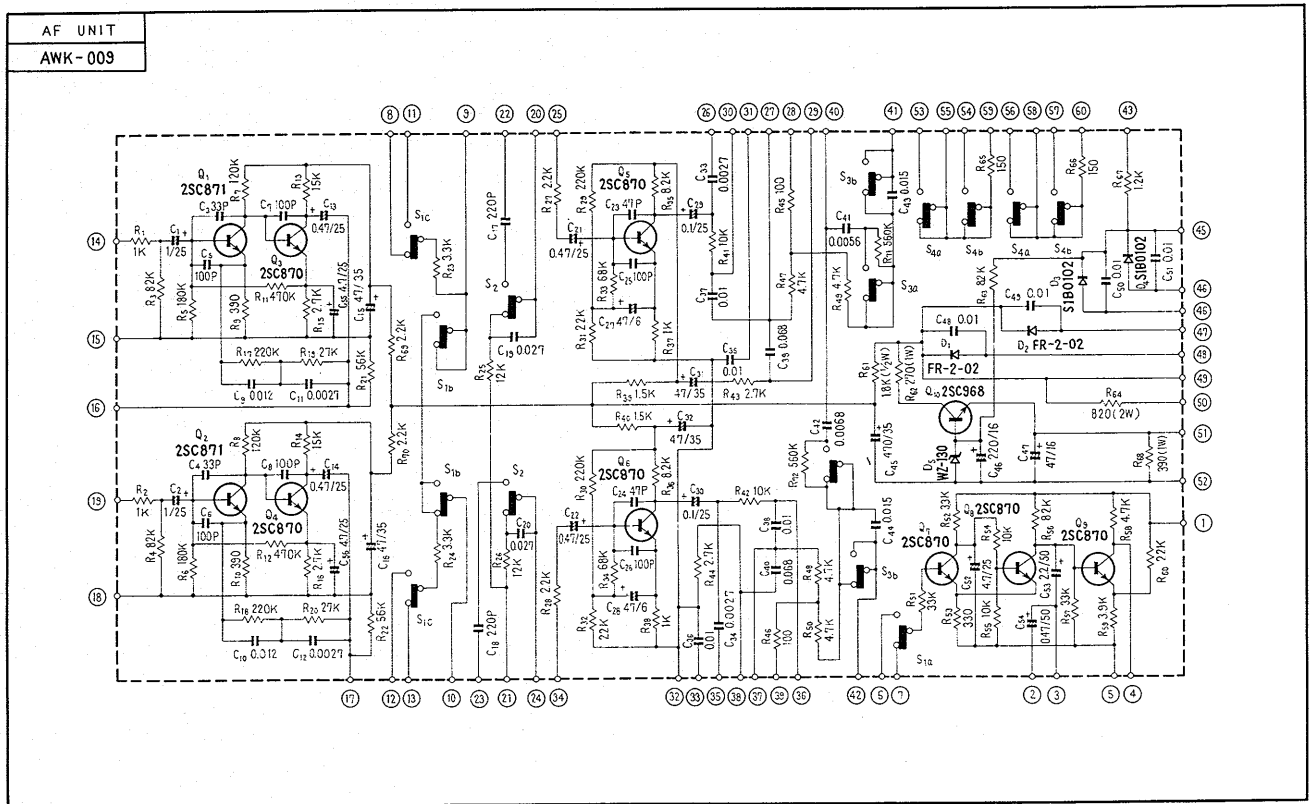
MPX UNIT



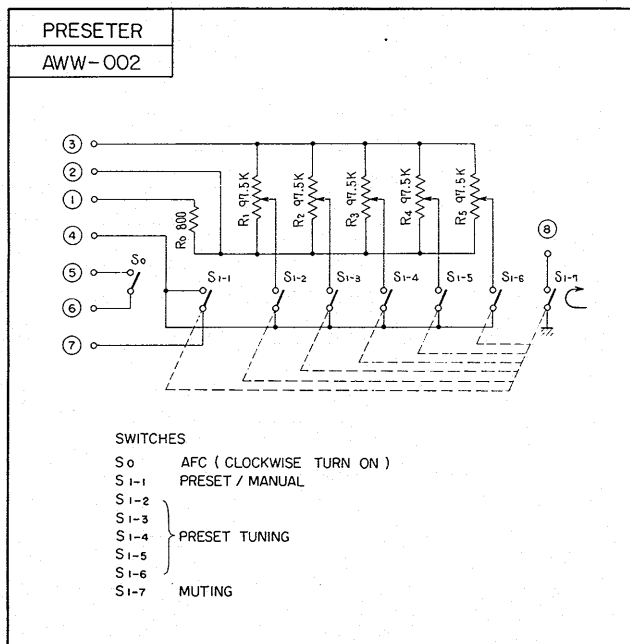
AM FRONT END UNIT



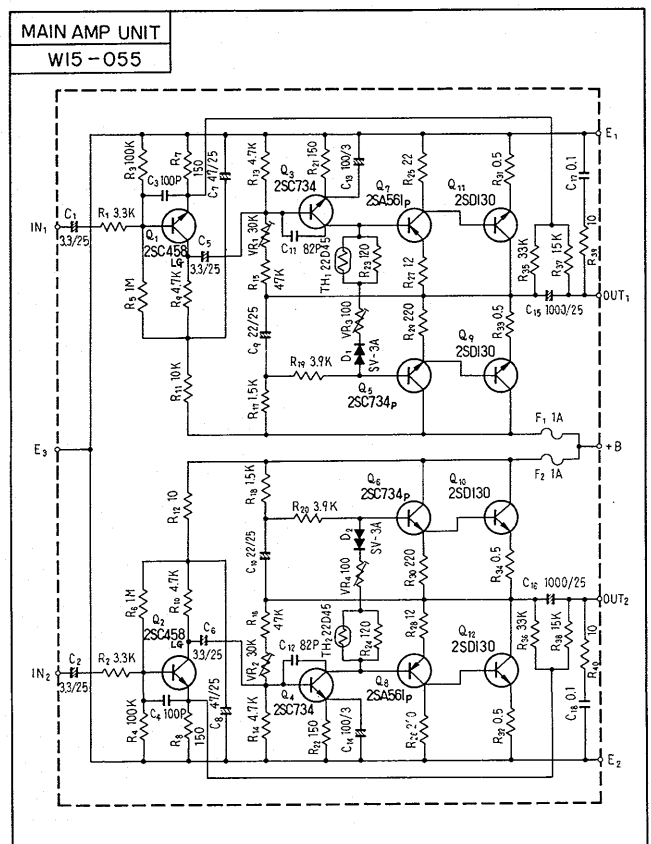
AF UNIT



PRESETER

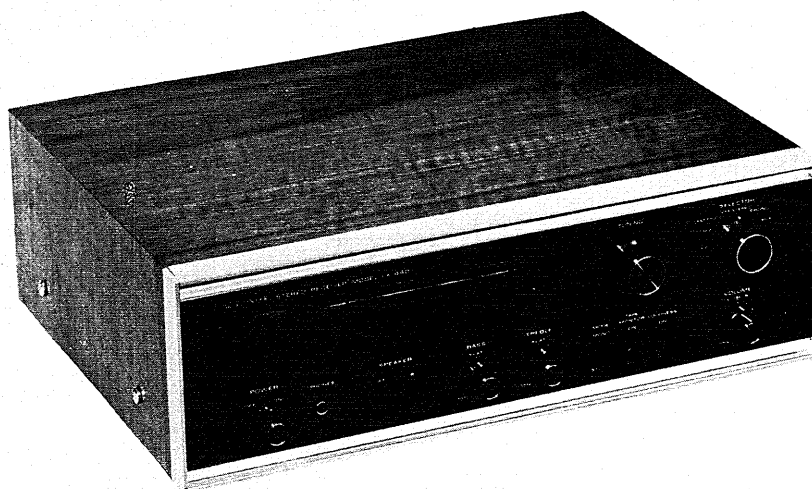


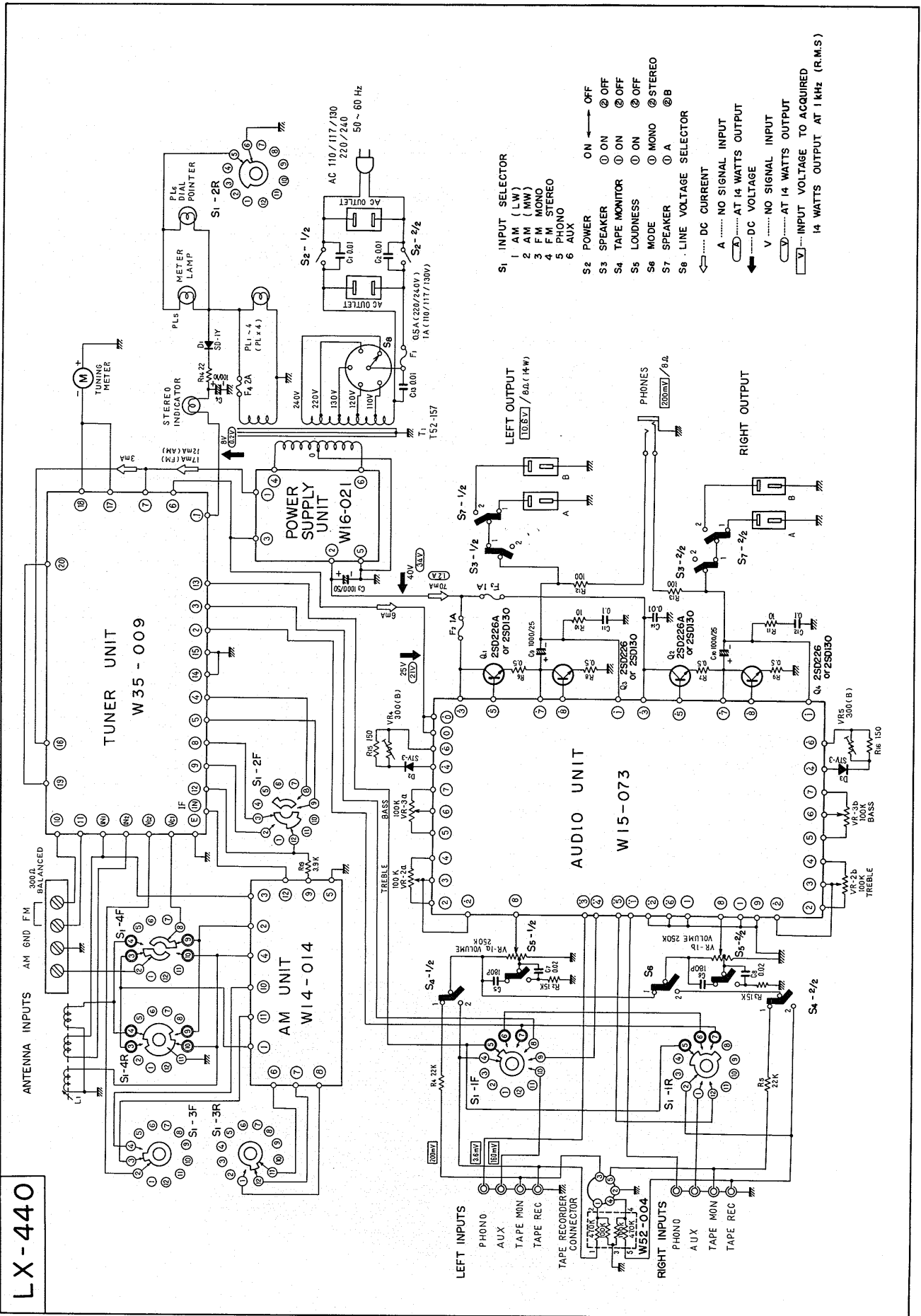
MAIN AMP UNIT



LW/MW/FM STEREO RECEIVER LX-440

UNIT	ROUND LABEL	FWW					
TUNER UNIT		W35-009					
FM FRONT END							
FM IF UNIT							
MPX UNIT							
AM UNIT		W14-014					
MUTING UNIT							
AUDIO UNIT		W15-073					
CONTROL AMP UNIT							
MAIN AMP UNIT							
POWER SUPPLY UNIT		W16-021					
SWITCH UNIT							
SWITCH UNIT							
SWITCH UNIT							
TONE COLOR UNIT							
CONTROL UNIT							
MIC AMP UNIT							
REVERBE AMP UNIT							
REVERBE UNIT							

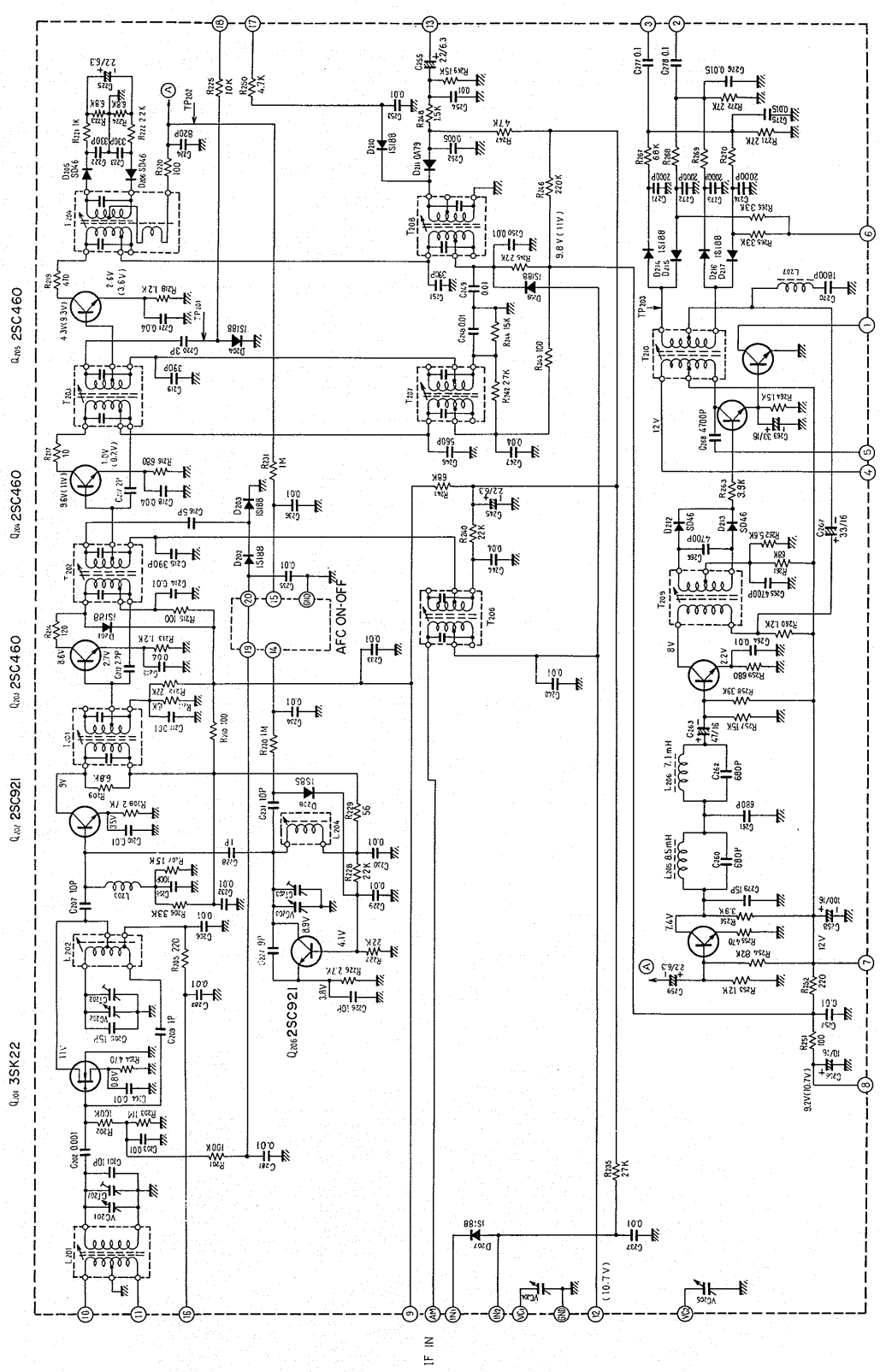




LX-440

TUNER UNIT

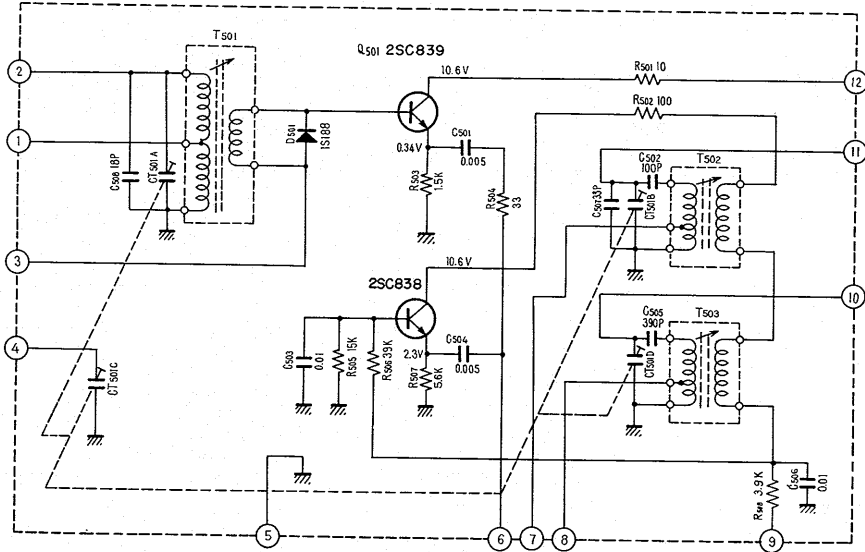
TUNER UNIT
W35-009



V : DC VOLTAGE (FM)
(V) : DC VOLTAGE (AM)

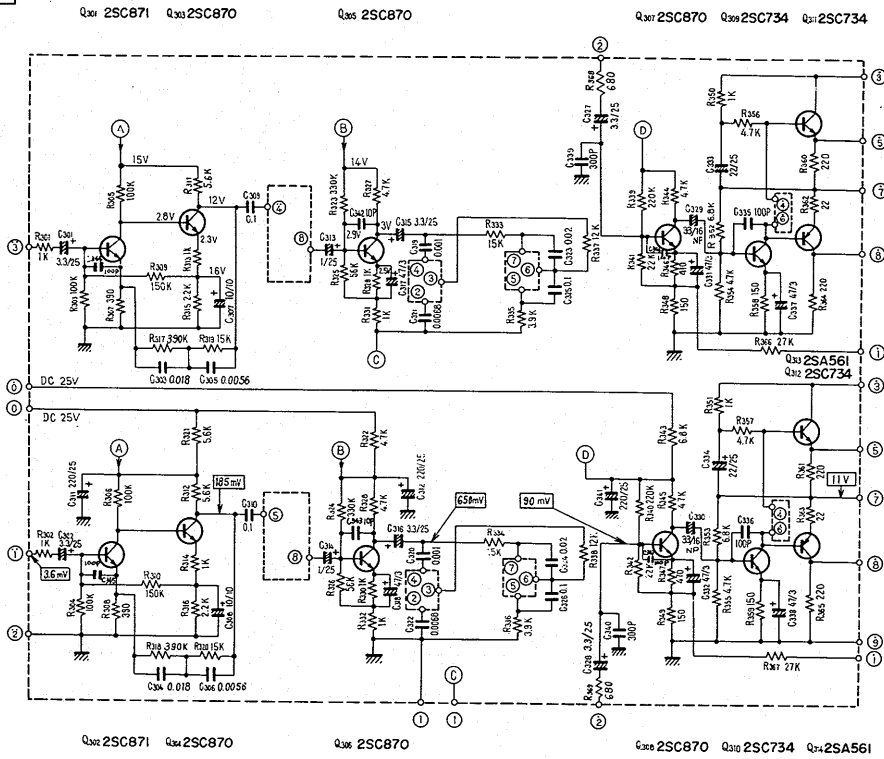
AM UNIT

AM UNIT
W14-014



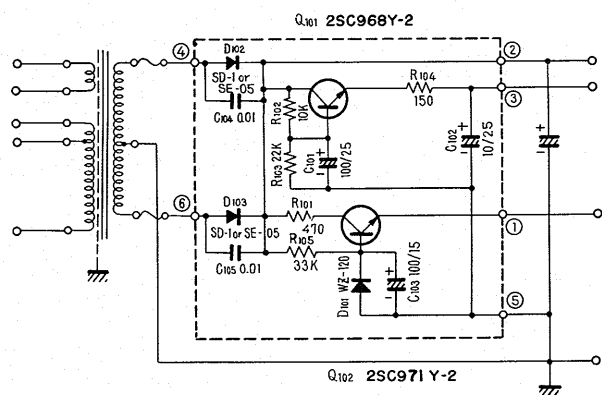
AUDIO UNIT

AUDIO UNIT
W15-073



POWER SUPPLY UNIT

POWER SUPPLY UNIT
W16 - 021

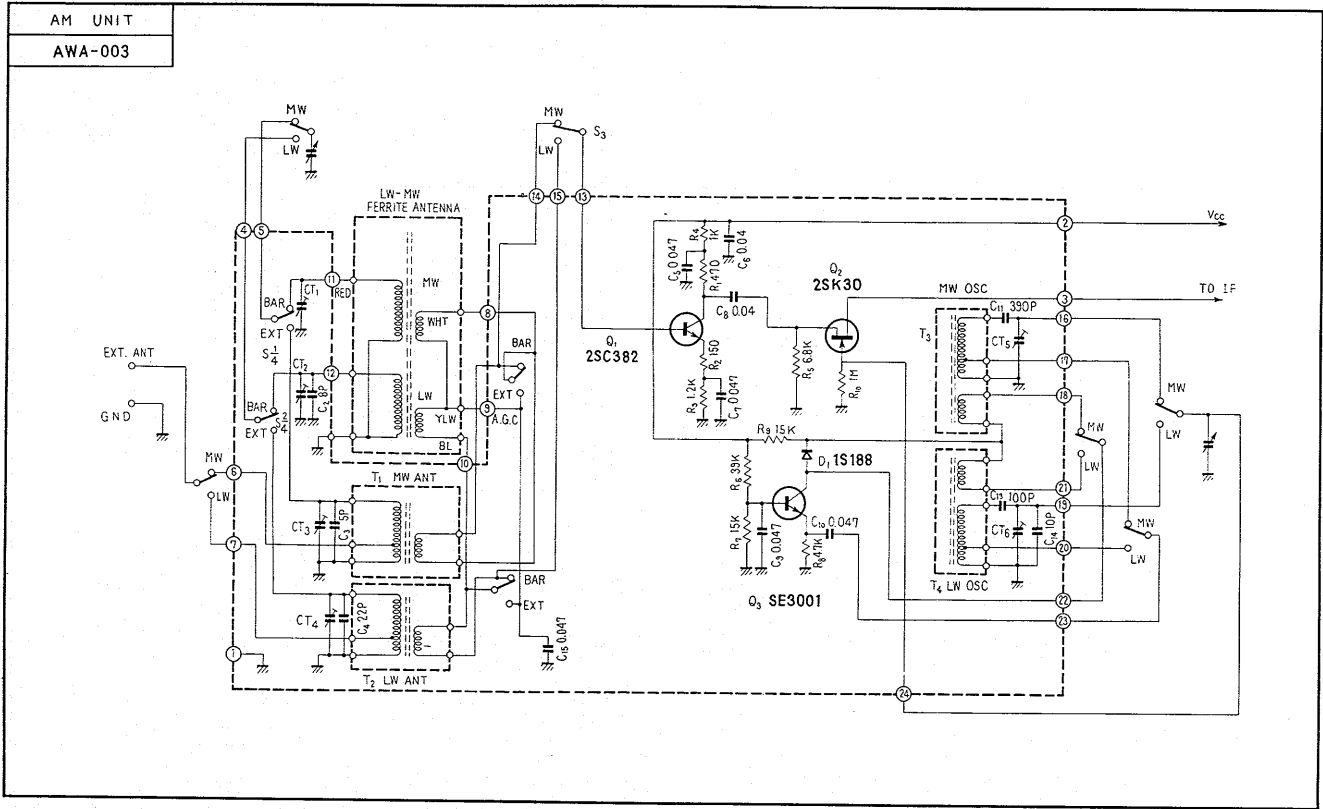


LW/MW/FM STEREO RECEIVER LX-440A

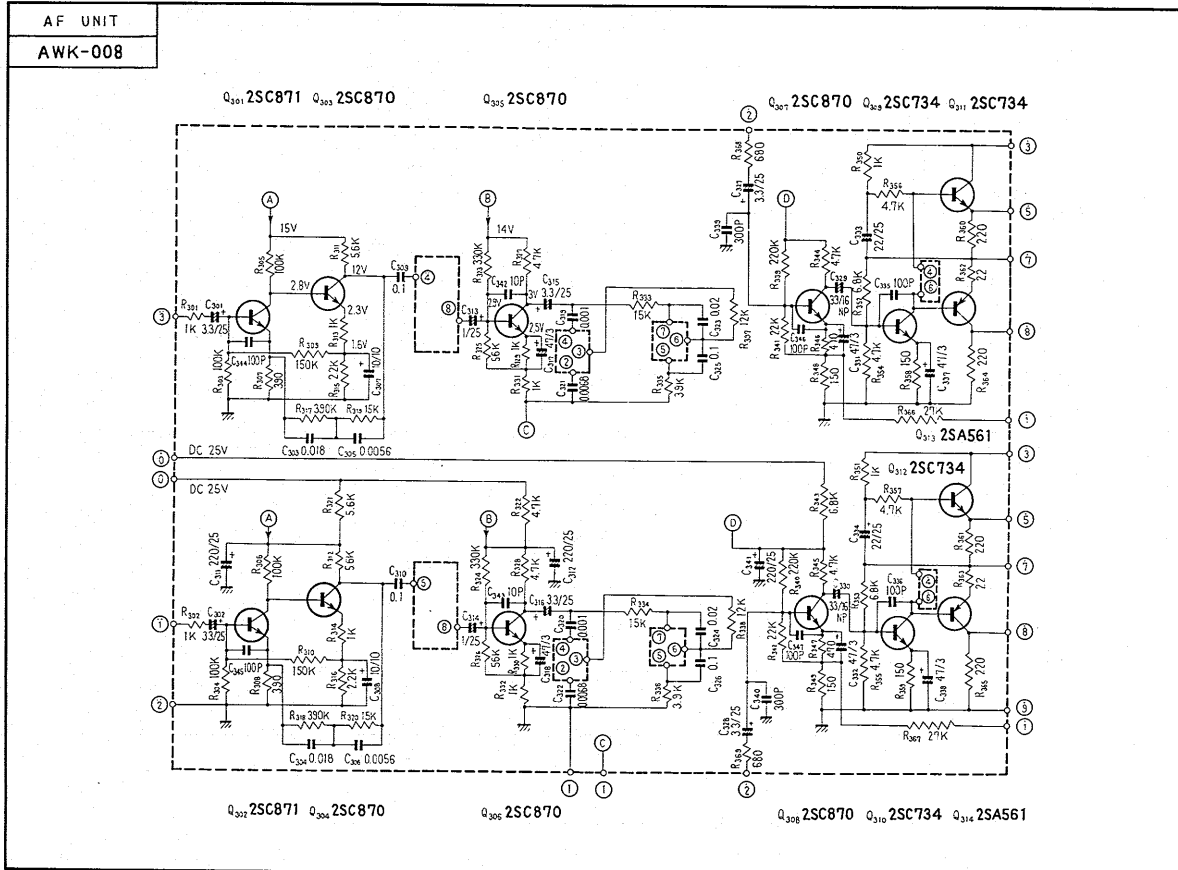
UNIT	ROUND LABEL	FVW					
TUNER UNIT		AWE-010					
FM FRONT END							
FM IF UNIT							
MPX UNIT							
AM UNIT		AWF-003					
MUTING UNIT							
AF UNIT		AWK-008					
CONTROL AMP UNIT							
MAIN AMP UNIT							
POWER SUPPLY UNIT		W16-021					
SWITCH UNIT							
SWITCH UNIT							
SWITCH UNIT							
TONE COLOR UNIT							
CONTROL UNIT							
MIC AMP UNIT							
REVERBE AMP UNIT							
REVERBE UNIT							



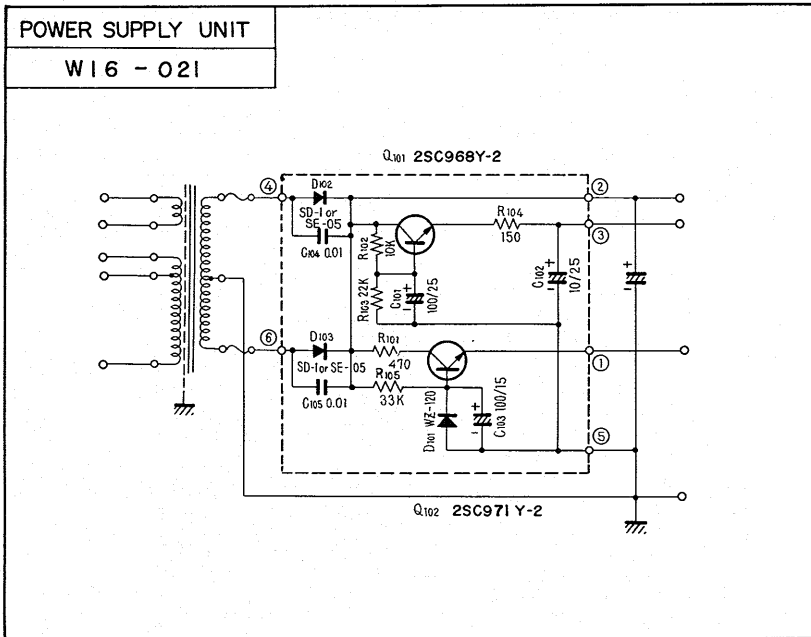
AM UNIT



AF UNIT



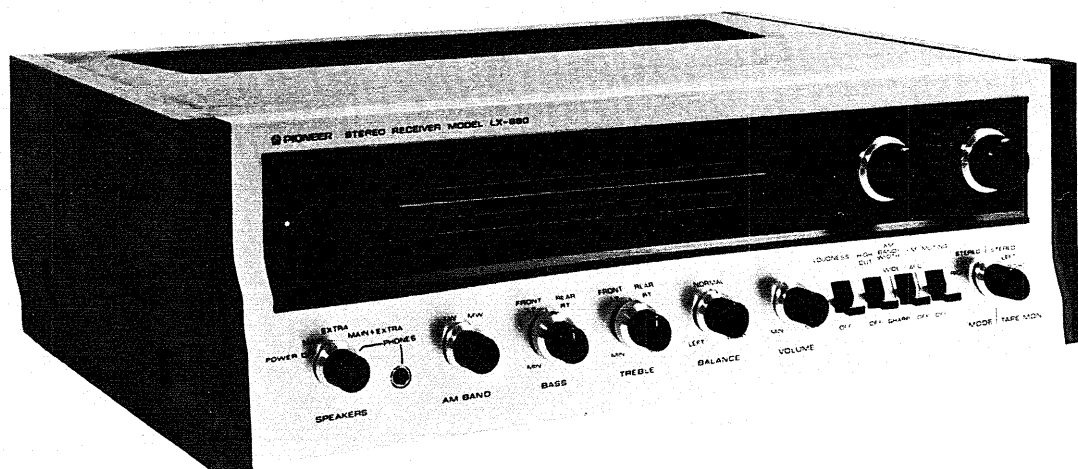
POWER SUPPLY UNIT



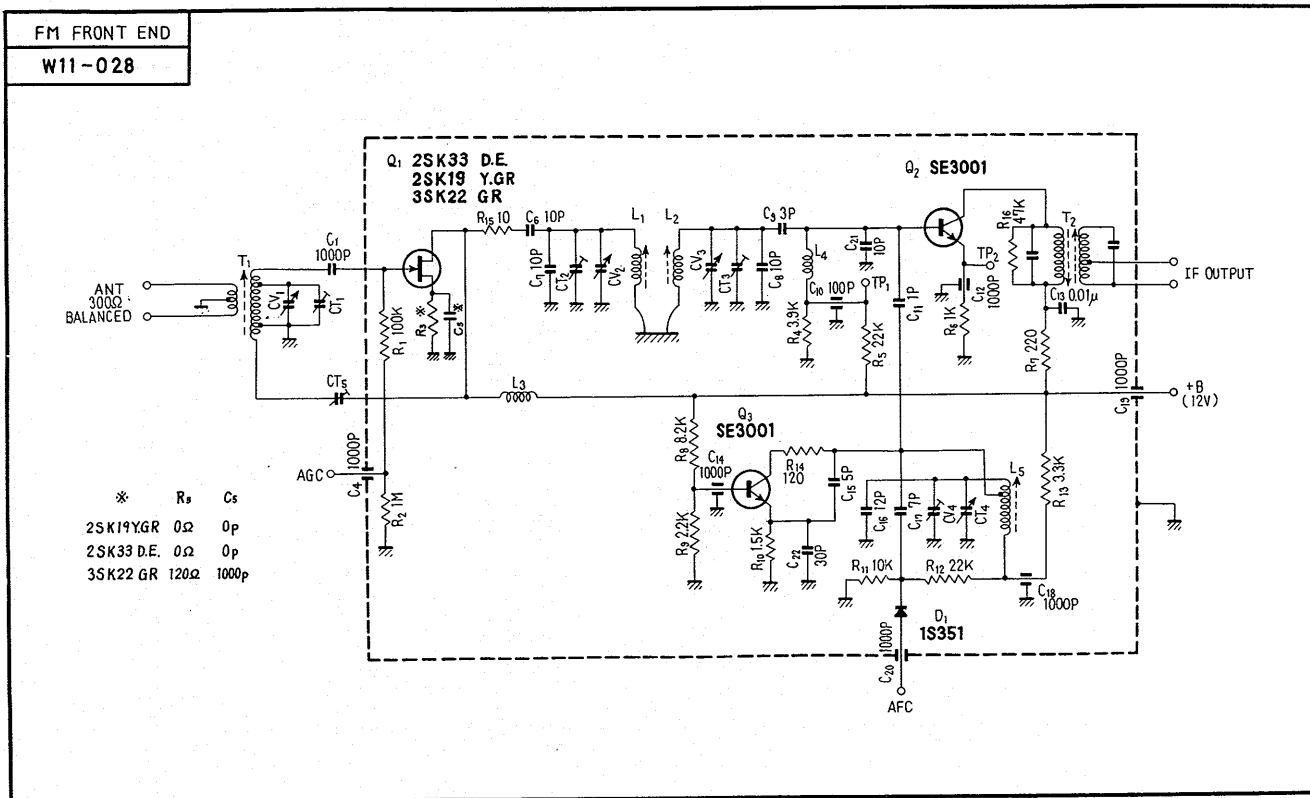
LW/MW/FM STEREO RECEIVER

LX-880

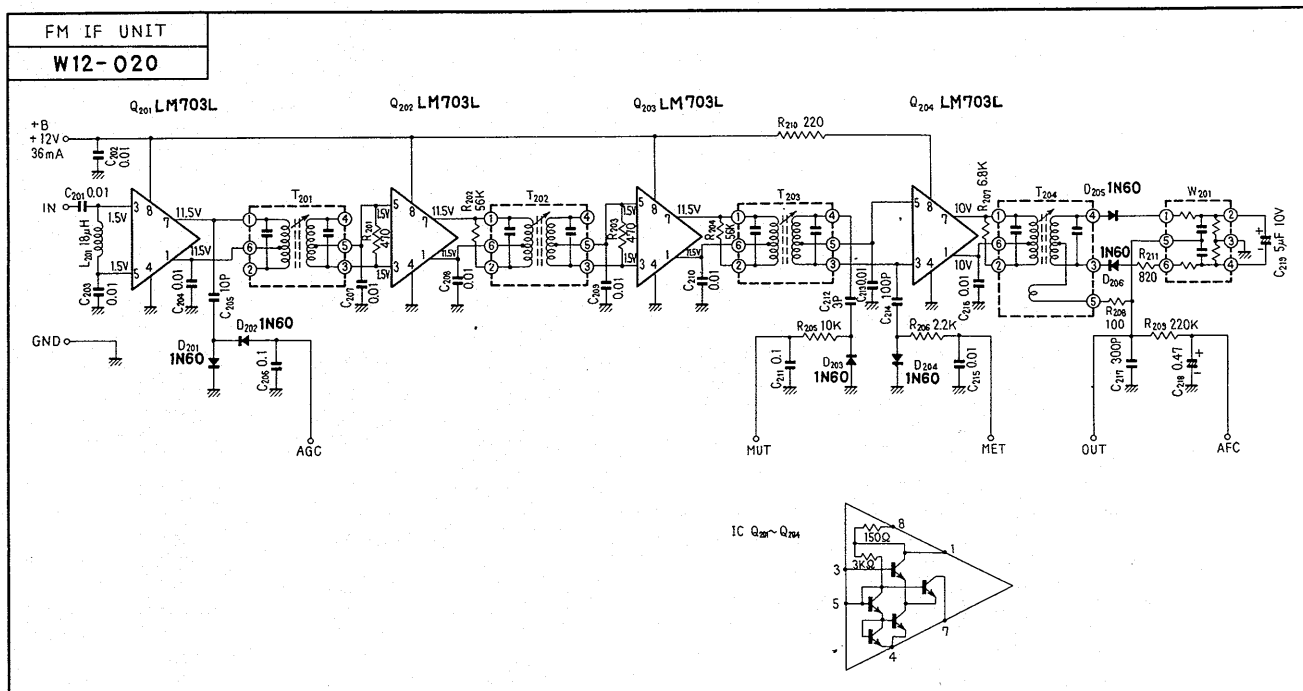
UNIT	ROUND LABEL	FVW					
FM FRONT END		W11-028					
FM IF UNIT		W12-020					
MPX UNIT		AWD-001					
AM TUNER UNIT		W14-010					
MUTING UNIT							
HEAD AMP UNIT		W15-093					
CONTROL AMP UNIT		W15-090					
MAIN AMP UNIT		W15-046					
POWER SUPPLY UNIT		W16-013					
SWITCH UNIT							
SWITCH UNIT							
SWITCH UNIT							
TONE COLOR UNIT							
CONTROL UNIT							
MIC AMP UNIT							
REVERBE AMP UNIT							
REVERBE UNIT							
EUPHONIC UNIT		W15-036					



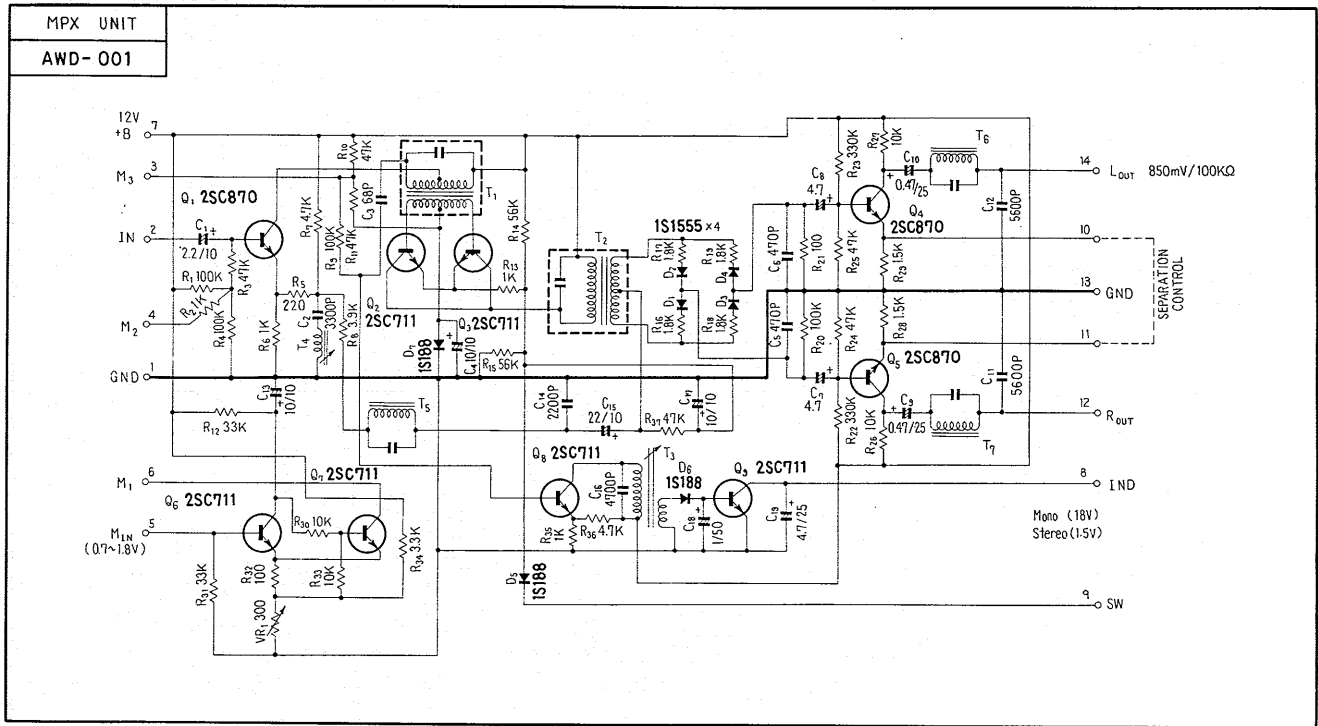
FM FRONT END



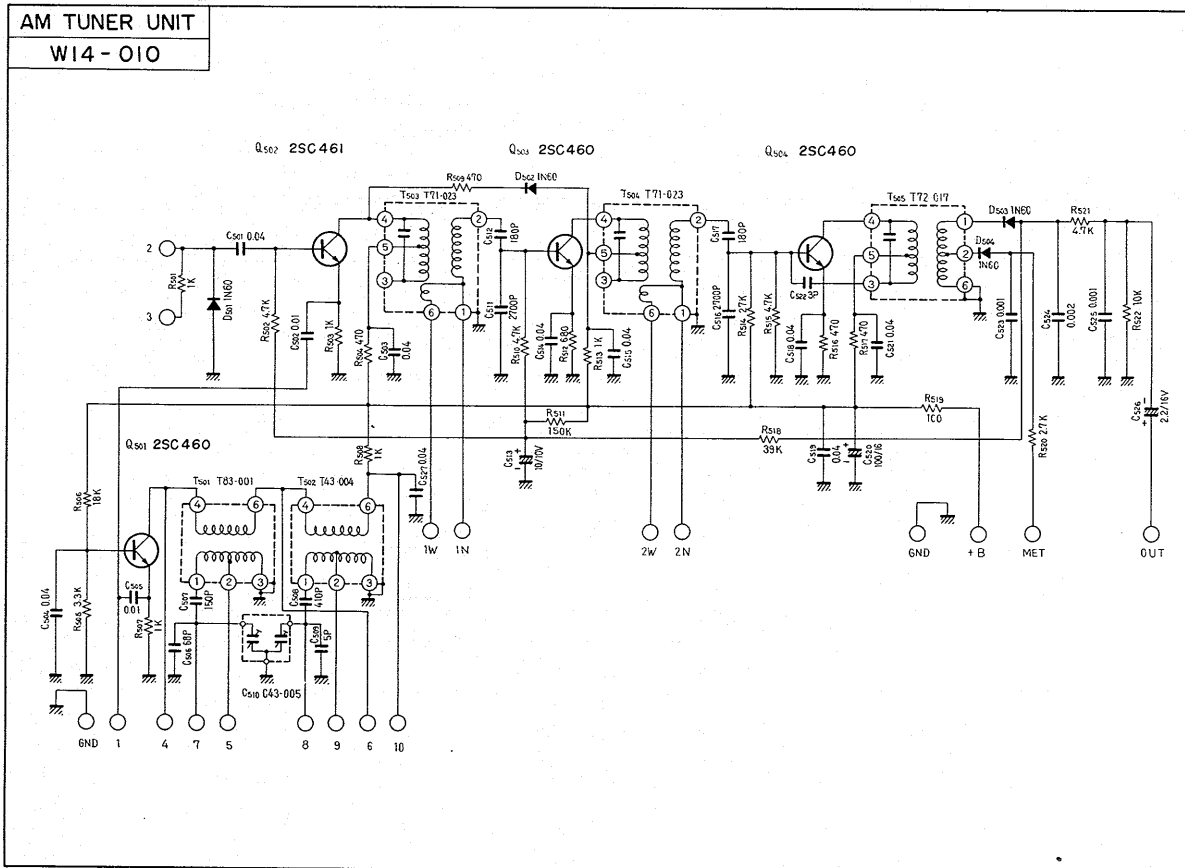
FM IF UNIT



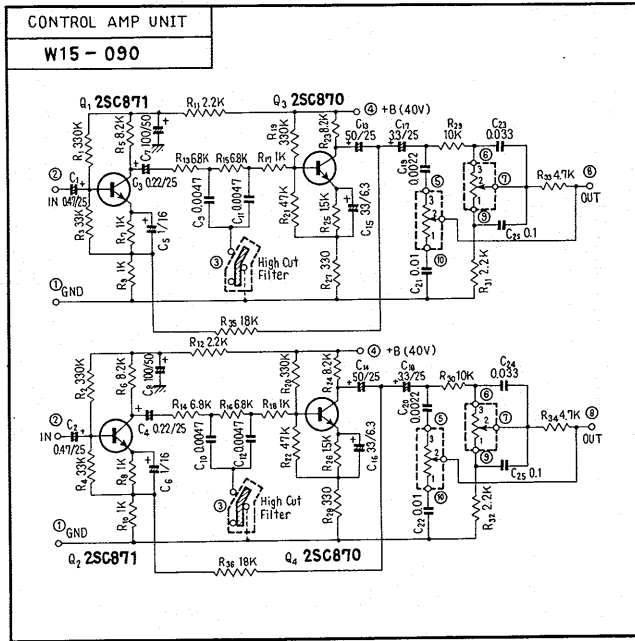
MPX UNIT



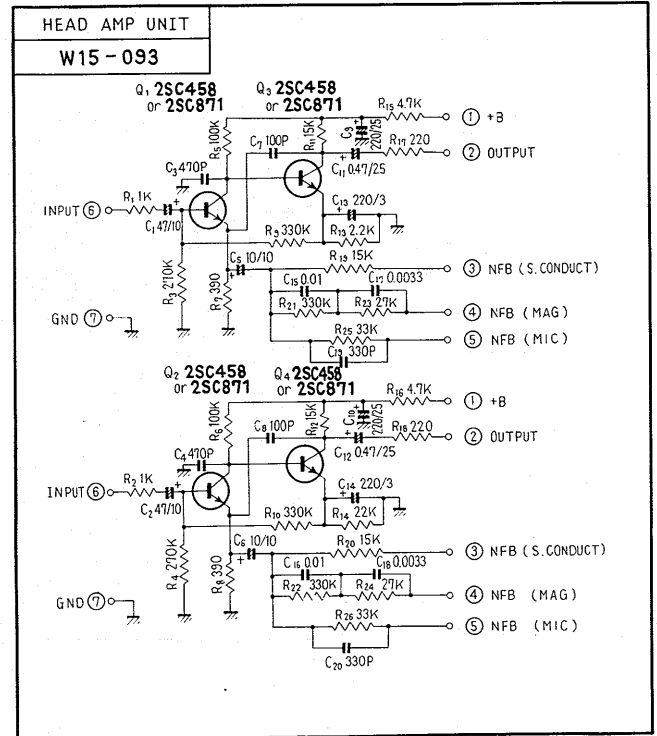
AM TUNER UNIT



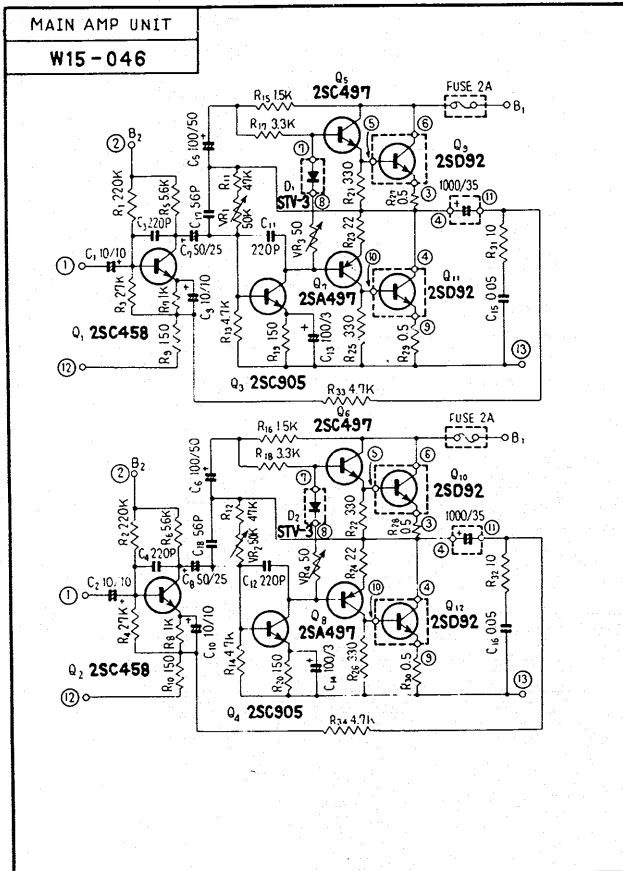
CONTROL UNIT



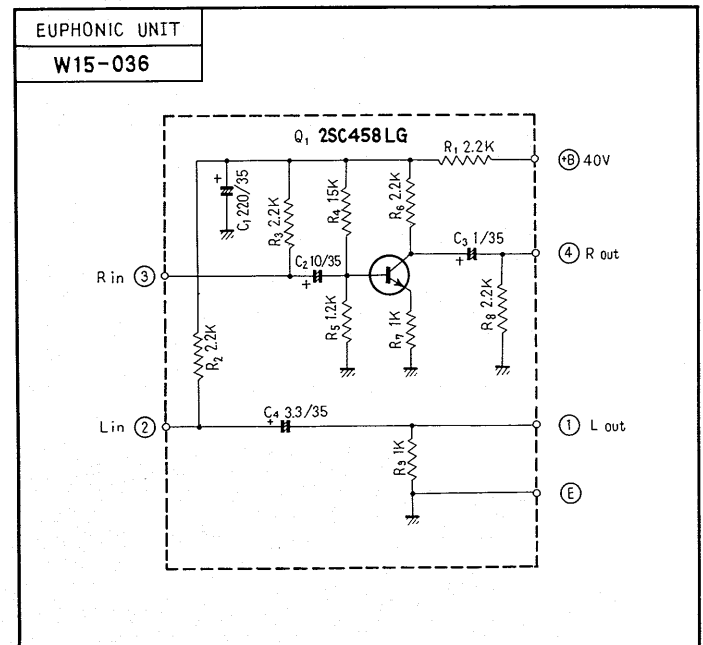
HEAD AMP UNIT



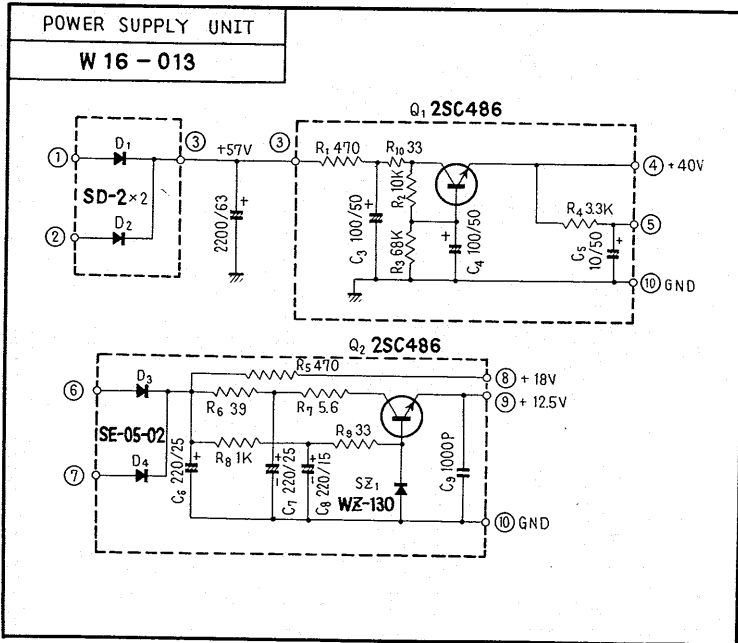
MAIN AMP UNIT



EUPHONIC UNIT



POWER SUPPLY UNIT



FM STEREO RECEIVER FX-330

ROUND LABEL UNIT	NBW	FVZW	FBW			
TUNER UNIT	W35-021	AWE-005	W35-021			
FM FRONT END						
FM IF UNIT						
MPX UNIT						
AM TUNER UNIT						
MUTING UNIT						
AF UNIT	W36-007	W36-007	W36-007			
CONTROL AMP UNIT						
MAIN AMP UNIT						
POWER SUPPLY UNIT						
SWITCH UNIT						
SWITCH UNIT						
SWITCH UNIT						
TONE COLOR UNIT						
CONTROL UNIT						
MIC AMP UNIT						
REVERBE AMP UNIT						
REVERBE UNIT						

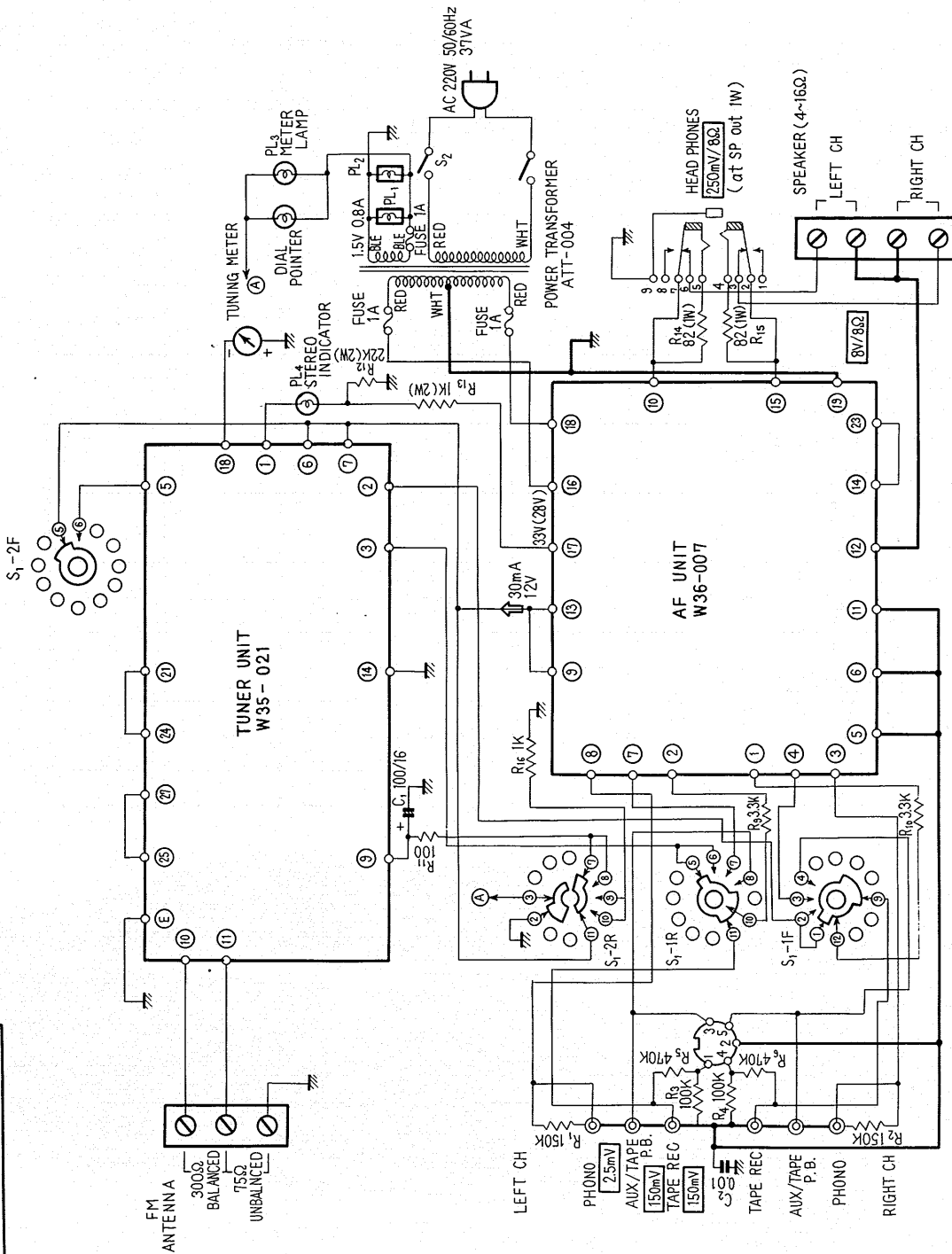


FX-330

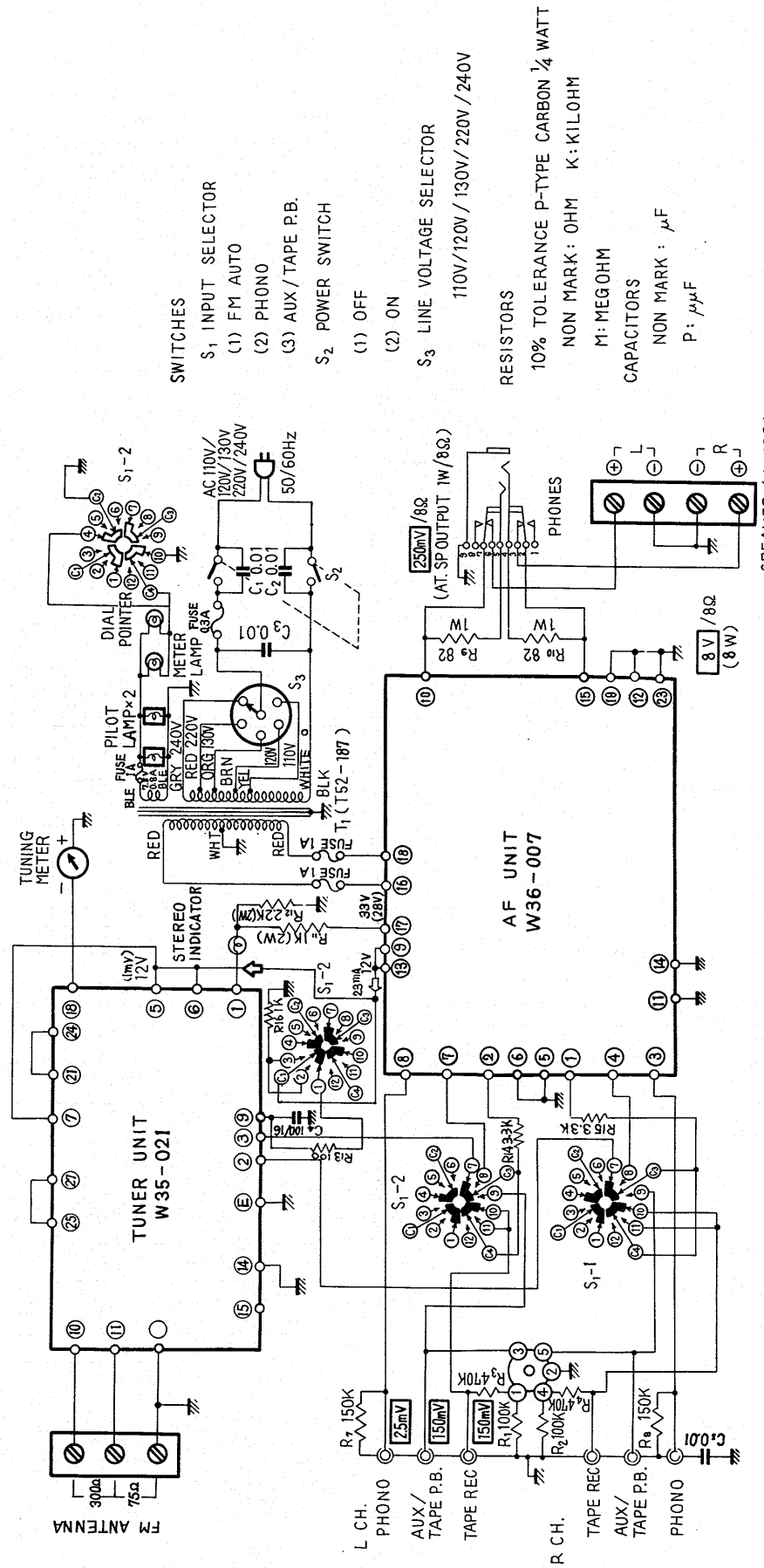
NOTE
 → NO INPUT SIGNAL D.C. CURRENT
 V NO INPUT SIGNAL D.C. VOLTAGE
 (V) MAXIMUM OUTPUT D.C. VOLTAGE
 □ SIGNAL VOLTAGE AT 8W/8Ω 1KHz

SWITCHES
 S₁ INPUT SELECTOR
 1) FM MONO
 2) FM AUTO
 3) PHONO
 4) AUX/TAPE P.B.
 S₂ POWER SWITCH

RESISTORS
 NONMARK : OHM K: KILOHM
 M: MEGOHM
 CAPACITORS
 NONMARK : μF P: μμF



FX-330



- SWITCHES**
- S₁ INPUT SELECTOR
 (1) FM AUTO
 (2) PHONO
 (3) AUX / TAPE P.B.
- S₂ POWER SWITCH
 (1) OFF
 (2) ON
- S₃ LINE VOLTAGE SELECTOR
 110V/120V / 130V/ 220V / 240V
- RESISTORS**
 10% TOLERANCE P-TYPE CARBON 1/4 WATT
 NON MARK: OHM K: KILOHM
 M: MEGOHM
- CAPACITORS**
 NON MARK: μF
 P: μμF

VACANT
ITEM NO
R ₁ ~ R ₉
C ₁ ~ C ₃

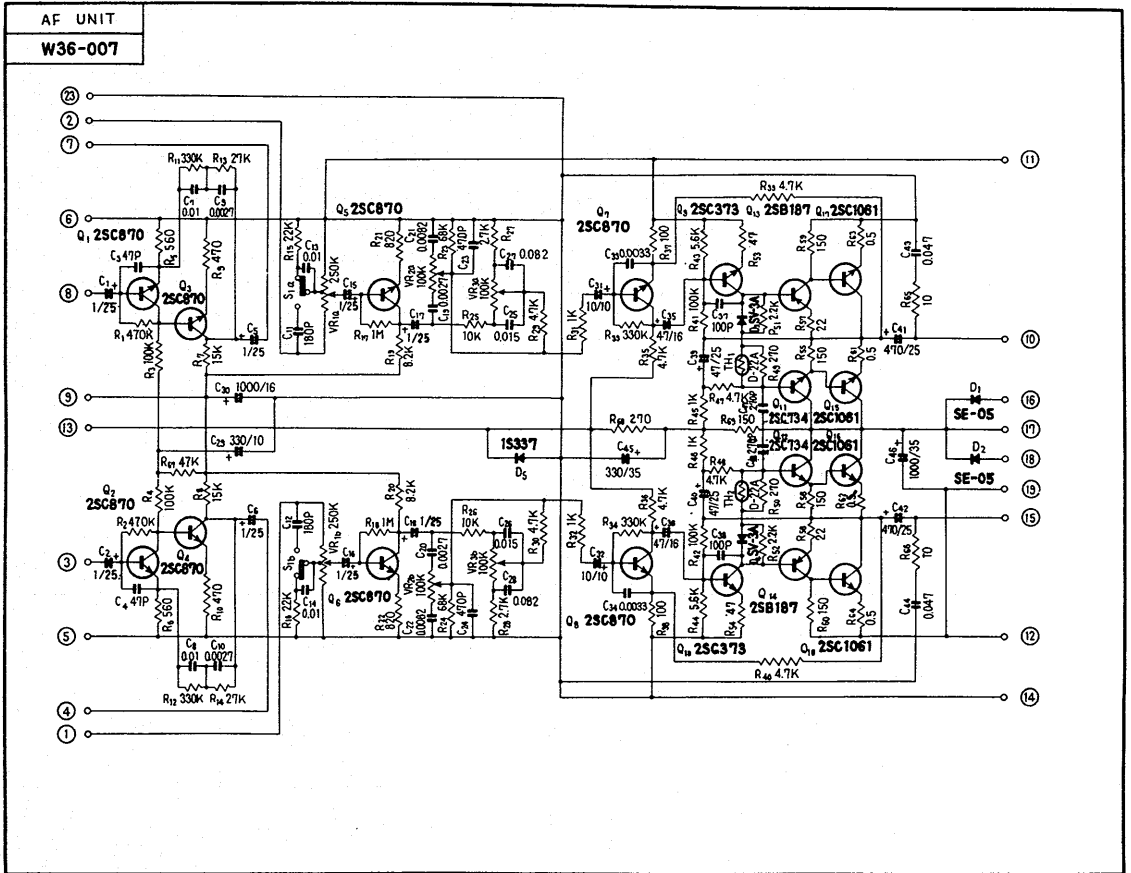
- ↔: NO INPUT SIGNAL DC CURRENT
- V: NO INPUT SIGNAL DC VOLTAGE
- ⎓: SIGNAL VOLTAGE AT 8W/8Ω (1KHz)

TUNER UNIT



TUNER UNIT
W35-021

AF UNIT



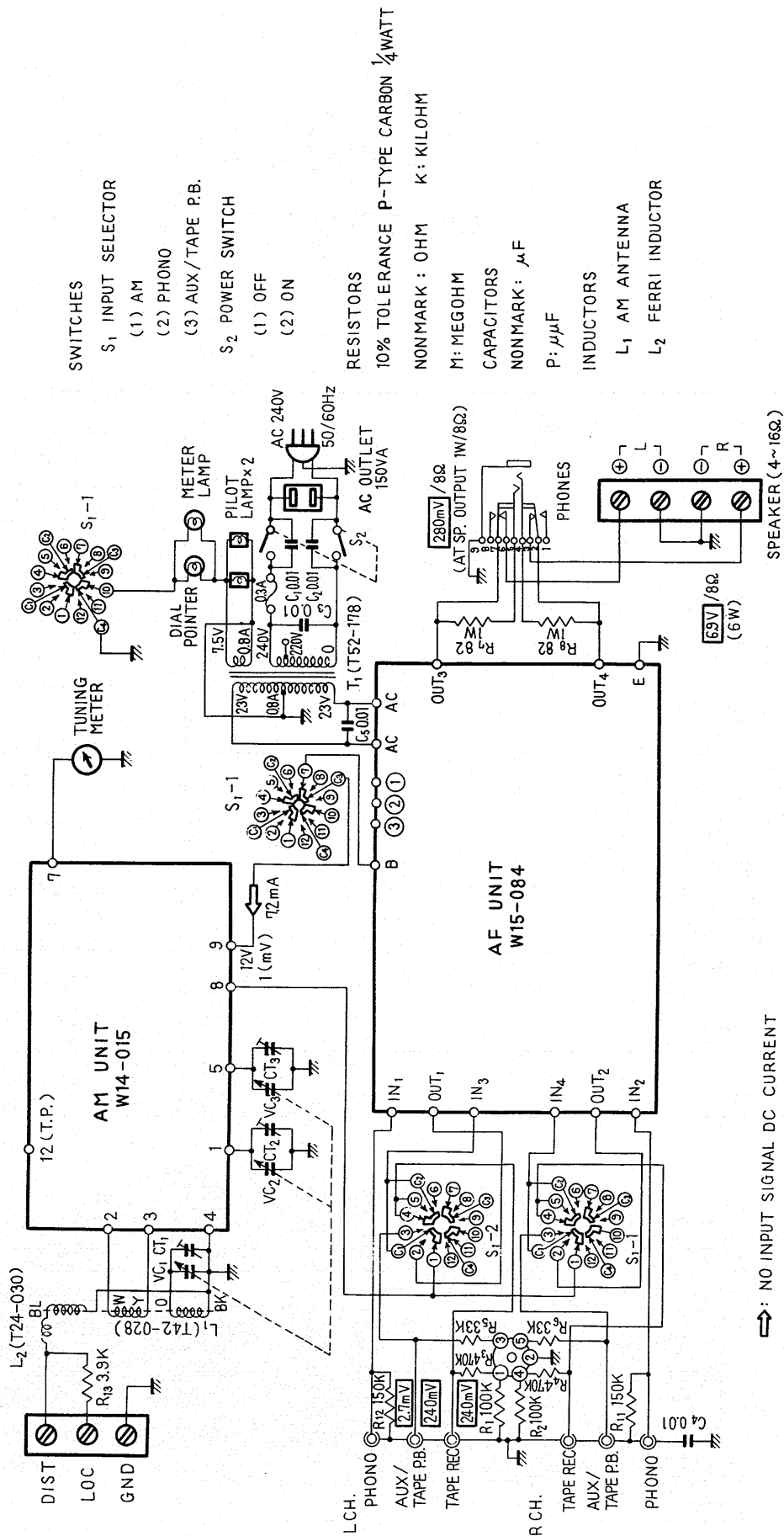
AM RECEIVER

AX-330

UNIT	ROUND LABEL	YAW					
TUNER UNIT							
FM FRONT END							
FM IF UNIT							
MPX UNIT							
AM TUNER UNIT		W14-015					
MUTING UNIT							
AF UNIT		W15-084					
CONTROL AMP UNIT							
MAIN AMP UNIT							
POWER SUPPLY UNIT							
SWITCH UNIT							
SWITCH UNIT							
SWITCH UNIT							
TONE COLOR UNIT							
CONTROL UNIT							
MIC AMP UNIT							
REVERBE AMP UNIT							
REVERBE UNIT							
INDICATOR UNIT							



AX-330



SWITCHES

- S_1 INPUT SELECTOR
 - (1) AM
 - (2) PHONO
 - (3) AUX/TAPE P.B.
- S_2 POWER SWITCH
 - (1) OFF
 - (2) ON

RESISTORS

10% TOLERANCE P-TYPE CARBON $\frac{1}{4}$ WATT

NONMARK : OHM K : KILOHM

M : MEGOHM

CAPACITORS

NONMARK : μ F

P : μ F

INDUCTORS

L_1 AM ANTENNA

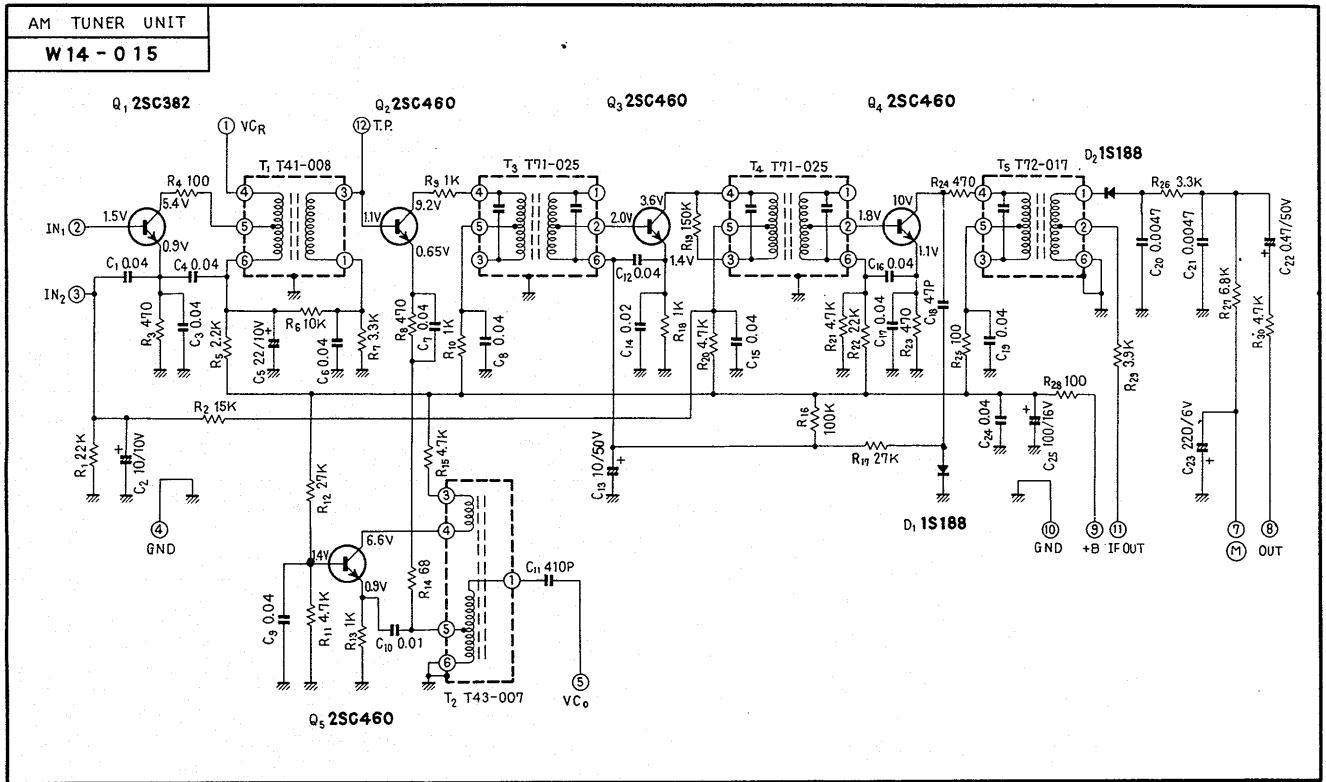
L_2 FERRI INDUCTOR

\square : NO INPUT SIGNAL DC CURRENT

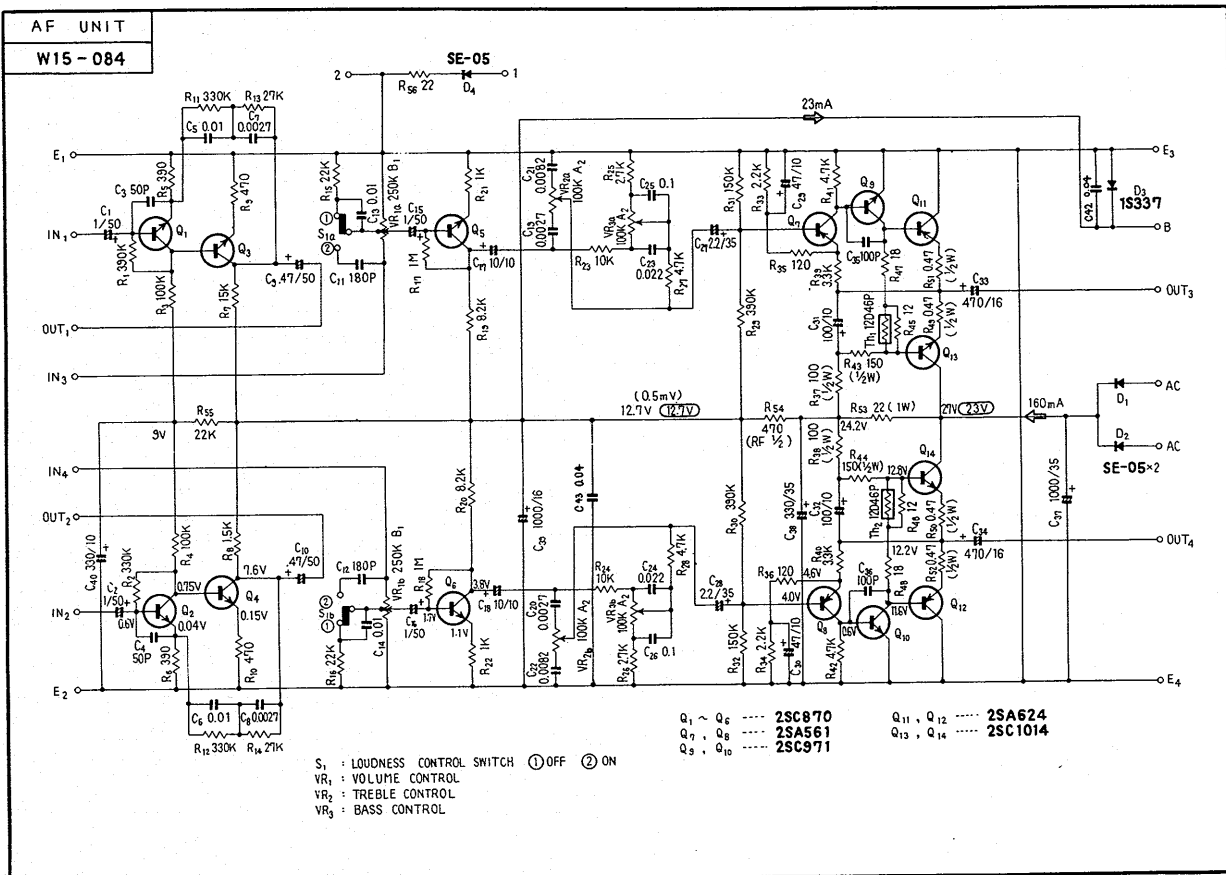
V : NO INPUT SIGNAL DC VOLTAGE

\square : SIGNAL VOLTAGE AT 5W/8Ω (1KHz)

AM TUNER UNIT



AF UNIT



PIONEER ELECTRONIC CORPORATION

15-5, 4-Chome, Ohmori-nishi, Ohta-ku, Tokyo, Japan

U.S. PIONEER ELECTRONICS CORPORATION

178 Commerce Road, Carlstadt, New Jersey 07072 U.S.A.

PIONEER ELECTRONIC (EUROPE) N.V.

Noorderlaan 83, 2030 Antwerp, Belgium