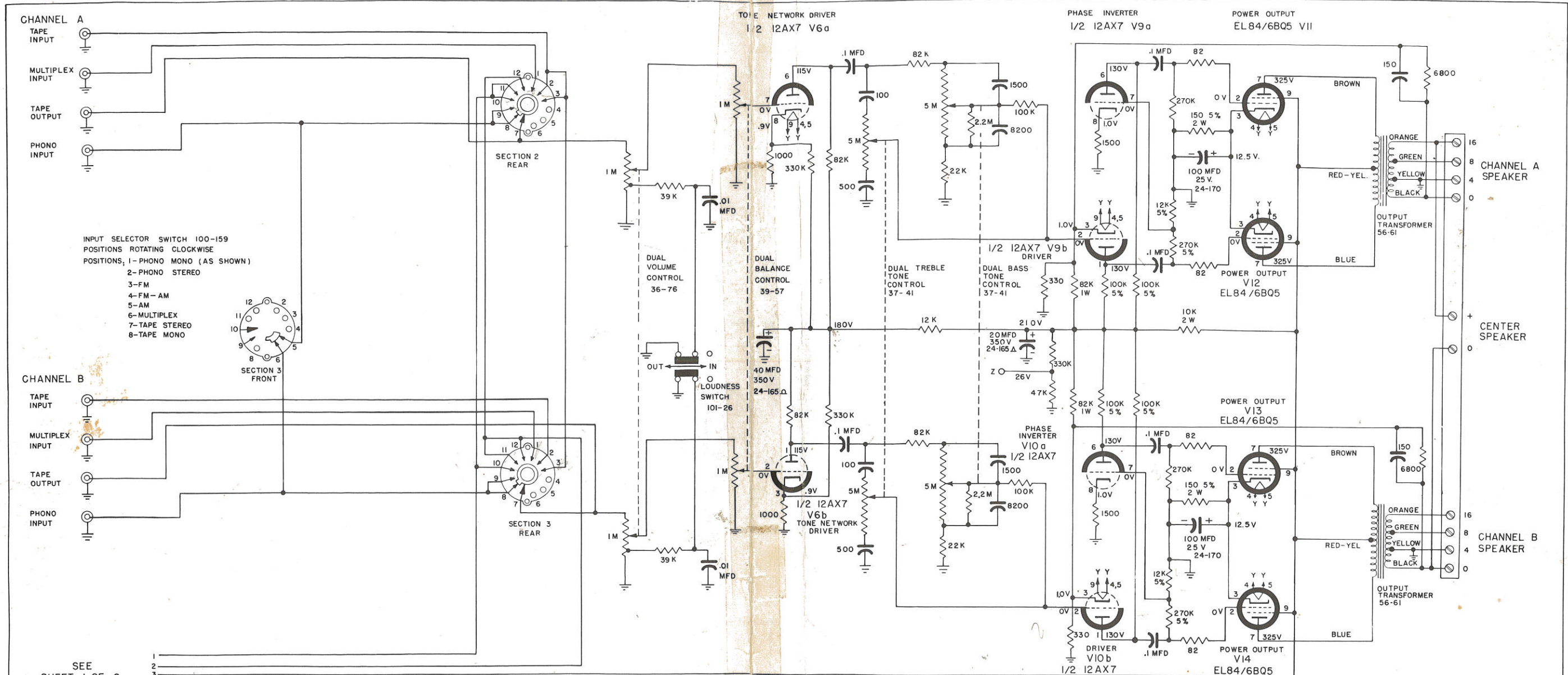


CONDITIONS FOR MEASURING VOLTAGES
 ADJUST LINE VOLTAGES TO 117 VAC.
 NO SIGNAL INPUT
 USE VTVM
 ALL VOLTAGES MEASURED WITH RESPECT TO CHASSIS GROUND
 SELECTOR SWITCH IN FM-AM POSITION

NOTES
 1-ALL RESISTORS 1/2 WATT 10% UNLESS OTHERWISE SPECIFIED
 2-ALL PAPER CONDENSERS ±20% RATED AT 400V UNLESS OTHERWISE SPECIFIED
 3-ALL CERAMIC CONDENSERS ±10% RATED AT 500V AND IN MMF UNLESS OTHERWISE SPECIFIED
 4-K EQUALS 1000 OHMS
 5-M EQUALS MEGOHMS
 6-ENCLOSED ALIGNMENT POINTS BENEATH CHASSIS.

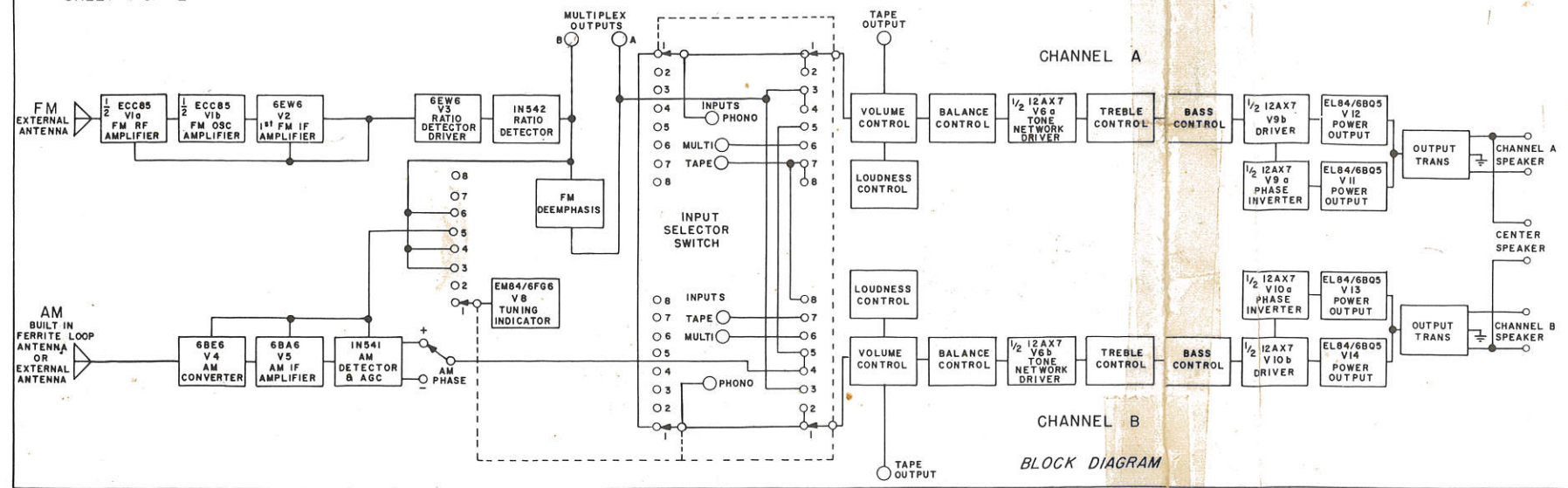
PILOT RADIO CORPORATION LONG ISLAND CITY, NEW YORK, U.S.A.		
DATE 2-12-60	APP BY SJA	OWN BY G. Mavropoulos
	CKD BY Frank	
SCHEMATIC DIAGRAM MODEL 402		
DWG NO. 90-185		
SHEET 1 OF 2		

SEE SHEET 2 OF 2



INPUT SELECTOR SWITCH 100-159
 POSITIONS ROTATING CLOCKWISE
 POSITIONS: 1-PHONO MONO (AS SHOWN)
 2-PHONO STEREO
 3-FM
 4-FM-AM
 5-AM
 6-MULTIPLEX
 7-TAPE STEREO
 8-TAPE MONO

SEE SHEET 1 OF 2



CONDITIONS FOR MEASURING VOLTAGES
 ADJUST LINE VOLTAGES TO 117 VAC.
 NO SIGNAL INPUT.
 USE VTVM.
 ALL VOLTAGES MEASURED WITH RESPECT TO CHASSIS GROUND.
 SELECTOR SWITCH IN FM-AM POSITION.

NOTES
 1-ALL RESISTORS 1/2 WATT 10% UNLESS OTHERWISE SPECIFIED.
 2-ALL PAPER CONDENSERS ±20% RATED AT 400V UNLESS OTHERWISE SPECIFIED.
 3-ALL CERAMIC CONDENSERS ±10% RATED AT 500V AND IN MMF UNLESS OTHERWISE SPECIFIED.
 4-K EQUALS 1000 OHMS.
 5-M EQUALS MEGOHMS.