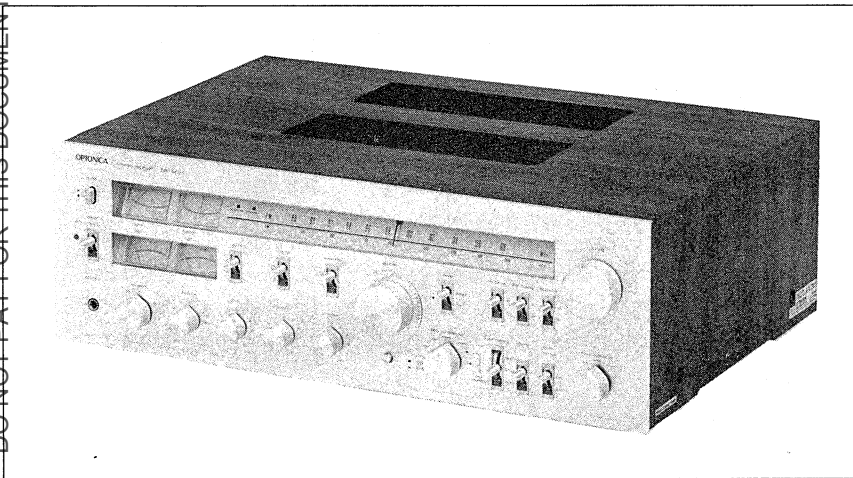


Digitized By RidgeDweller  
For Free Distribution

DO NOT PAY FOR THIS DOCUMENT

**(PHOTO: SA-5601)**

SIMULATED WALNUT GRAINED VINYL ON WOOD PRODUCT MATERIAL

FM/AM,  
FM STEREO RECEIVER**MODEL**  
**SA-5601**  
(Silver Panel)**SA-5605**  
(Black Panel)**SA-5601C**  
(Silver Panel)**SA-5605C**  
(Black Panel)**INDEX TO CONTENTS**

1. SPECIFICATIONS .....	2	8. ALIGNMENT INSTRUCTIONS	
2. FRONT PARTS LAYOUT .....	3	REQUIRED EQUIPMENT .....	21
3. REAR PARTS LAYOUT .....	3	9. ALIGNMENT POINTS OF RF/IF P.W. BOARD .....	21
4. DISASSEMBLY .....	4	AM IF ALIGNMENT .....	22
5. DIAL CORD STRINGING .....	5	AM RF ALIGNMENT .....	22
6. BLOCK DIAGRAM .....	6	FM ALIGNMENT .....	23
7. CIRCUIT DESCRIPTION		FM TUNING METER ADJUSTMENT AND	
FM RF SECTION .....	7	DISTORTION FACTOR ADJUSTMENT.....	24
FM IF SECTION .....	8	ADJUSTMENT OF AIR CHECK CAL .....	24
FM DETECTION SECTION		FM STEREO V.C.O. AND SEPARATION	
(Quadrature Detector) .....	8	ADJUSTMENT .....	25
FM MUTING CIRCUIT .....	9	ADJUSTMENT OF MAIN AMP CIRCUIT .....	26
LOW-PASS FILTER.....	9	AF ALIGNMENT .....	26
FM STEREO DEMODULATOR SECTION .....	9	10. POWER TRANSISTORS REPLACEMENT .....	27
AIR CHECK CALIBRATION CIRCUIT .....	10	11. MISCELLANEOUS PARTS GUIDE .....	28
HI-BLEND CIRCUIT .....	11	12. DIODE TYPES .....	29
FM TUNING OPTO-LOCK MECHANISM .....	11	13. TRANSISTOR TYPES .....	29
AM SECTION.....	13	14. SCHEMATIC DIAGRAM .....	31 ~ 32
TRIPLE TONE COUNTROL CIRCUIT .....	14	15. WIRING SIDE OF P.W. BOARD .....	33 ~ 40
EQUALIZER AMPLIFIER CIRCUIT .....	14	16. EQUIVALENT CIRCUIT OF INTEGRATED	
MAIN (POWER) AMPLIFIER SECTION.....	15	CIRCUIT .....	41 ~ 45
PROTECTION CIRCUIT (RELAY CIRCUIT) .....	16	17. PARTS LAYOUT .....	47 ~ 53
POWER SUPPLY CIRCUIT .....	17		
POWER METER DRIVE CIRCUIT .....	19		
RECORDING OUTPUT CIRCUIT .....	20		

**SHARP CORPORATION**  
**SHARP ELECTRONICS CORPORATION**

# SPECIFICATIONS

Digitized By RidgeDweller  
For Free Distribution  
DO NOT PAY FOR THIS DOCUMENT

## GENERAL DESCRIPTION

Power source: 120V 50/60 Hz  
Power consumption: 270W  
Semiconductors: 3-FET  
6-1C (Integrated circuit)  
57 Transistor  
54-Diode  
3-LED  
Dimensions: Width: 550 mm  
Height: 182 mm  
Depth: 405 mm  
Weight: 18 kg

## MAIN AMPLIFIER

Circuit: Differential amplifier, complementary system  
OCL (Output Capacitor-Less)

Continuous power Output: 85 watts per channel, minimum RMS, at 8 ohms, from 20 Hz to 20 kHz, with no more than 0.05% total harmonic distortion

Total harmonic distortion: 0.01% at 60 W (Aux. in)

Intermodulation distortion: 0.03% at 85 W (Aux. in)

Damping factor: 50 (at 1 kHz, 8 ohms)

Hum and noise level:

Residual; 1 mV

Maximum volume; Aux.: 1 mV

Phono: 10 mV

Tape: 1 mV

Signal to noise ratio (IHF "A" network):

Aux.: 98 dB

Phono: 76 dB

Tape: 98 dB

## PRE-AMPLIFIER

Circuit:

Equalizer; Three-stage direct coupled equalizer circuit

Tone amplifier; NF type tone control

Input Sensitivity and Input Impedance:

Phono 1 and 2; 2.5 mV/47 k ohms

Aux.; 150 mV/100 k ohms

Tape playback 1 and 2; 150 mV/47 k ohms

Phono overload: 280 mV (RMS. 1 kHz 0.05% THD.)

RIAA curve deviation: (30 ~20 kHz)  $\pm 0.3$  dB

Frequency response: 15 Hz - 50 kHz  $\pm 1.5$  dB (Aux., Tape playback)

Tone control:

Bass;  $\pm 10$  dB at 100 Hz

Mid;  $\pm 8$  dB at 1 kHz

Treble;  $\pm 10$  dB at 10 kHz

Low cut filter: 30 Hz (-12 dB/oct)

High cut filter: 7 kHz (-6 dB/oct)

Audio muting: -20 dB

## FM

Tuning range: 87.6-108 MHz

Sensitivity (IHF): 9.8 dBf (1.7 $\mu$ V)

Total harmonic distortion:

Mono; 0.15%

Stereo; 0.3%

Image rejection ratio: 90 dB

IF rejection ratio: 90 dB

Spurious rejection: 100 dB

AM suppression ratio: 60 dB

Selectivity: 75 dB

Signal to noise ratio:

Mono; 80 dB

Stereo; 73 dB

Capture ratio: 1.2 dB

Stereo separation: 45 dB (1 kHz)

## AM

Tuning range: 520-1620 kHz

Quieting sensitivity: 250 $\mu$ V/m

Image rejection ratio: 46 dB (1400 kHz)

IF rejection ratio: 32 dB (600 kHz)

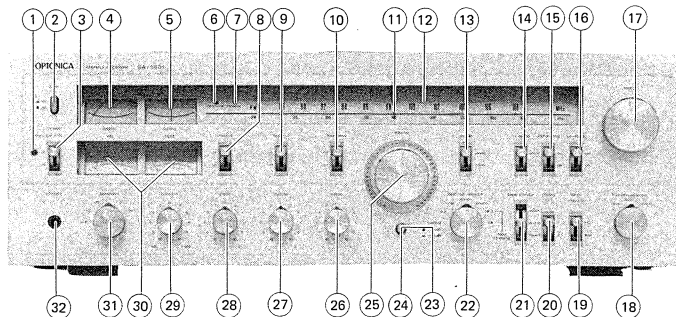
Total harmonic distortion:

0.8%

Specifications are subject to change without prior notice:

DO NOT PAY FOR THIS DOCUMENT

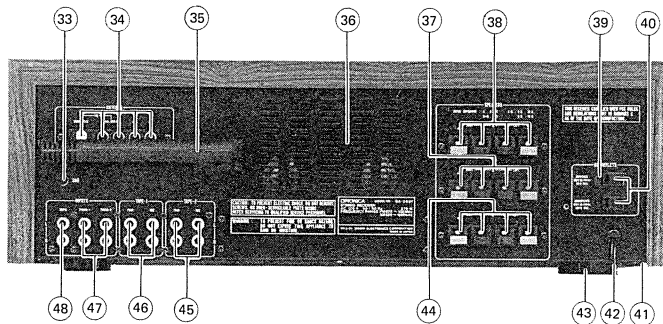
(PHOTO : SA-5601)



- |   |  |  |
|---|--|--|
| <ul style="list-style-type: none"> <li>① Protection Indicator, LED (Green, Red)<br/>VHPGL-52RG/1F</li> <li>② Tuner Switch Knob<br/>SA-5601, JKNBP0078AFSA<br/>SA-5605, JKNBP0078AFSB</li> <li>③ Power Switch Knob<br/>SA-5601, JKNBP0070AFSA<br/>SA-5605, JKNBP0070AFSB</li> <li>④ Signal (Strength) Meter<br/>RMTRL0179AFZZ</li> <li>⑤ FM Tuning (center) Meter<br/>RMTRL0178AFZZ</li> <li>⑥ FM Opto Lock Indicator, LED (Red)<br/>VHPGL3AR1//1</li> <li>⑦ FM Stereo Indicator, LED (Red)<br/>VHPGL3AR1//1</li> <li>⑧ Low Cut Filter Switch Knob<br/>SA-5601, JKNBP0070AFSA<br/>SA-5605, JKNBP0070AFSB</li> <li>⑨ High Cut Filter Switch Knob<br/>SA-5601, JKNBP0070AFSA<br/>SA-5605, JKNBP0070AFSB</li> <li>⑩ Loudness Switch Knob<br/>SA-5601, JKNBP0070AFSA<br/>SA-5605, JKNBP0070AFSB</li> <li>⑪ Dial Pointer<br/>HSSND0250AFSA</li> <li>⑫ Dial Scale<br/>HDALM0195AFSA</li> </ul> | <ul style="list-style-type: none"> <li>⑬ Mode Switch Knob<br/>SA-5601, JKNBP0070AFSA<br/>SA-5605, JKNBP0070AFSB</li> <li>⑭ Hi Blend Switch Knob<br/>SA-5601, JKNBP0070AFSA<br/>SA-5605, JKNBP0070AFSB</li> <li>⑮ FM Muting Switch Knob<br/>SA-5601, JKNBP0070AFSA<br/>SA-5605, JKNBP0070AFSB</li> <li>⑯ Air Check Calibrator Switch Knob<br/>SA-5601, JKNBP0070AFSA<br/>SA-5605, JKNBP0070AFSB</li> <li>⑰ Tuning Control Knob<br/>SA-5601, JKNBN0383AFSA<br/>SA-5605, JKNBN0383AFSB</li> <li>⑱ Function Selector Knob<br/>SA-5601, JKNBN0330AFSA<br/>SA-5605, JKNBN0318AFSB</li> <li>⑲ Band Selector Switch Knob<br/>SA-5601, JKNBP0070AFSA<br/>SA-5605, JKNBP0070AFSB</li> <li>⑳ Phono Input Selector Switch Knob<br/>SA-5601, JKNBP0070AFSA<br/>SA-5605, JKNBP0070AFSB</li> <li>㉑ Tape Monitor Switch Knob<br/>SA-5601, JKNBP0070AFSA<br/>SA-5605, JKNBP0070AFSB</li> <li>㉒ Recording Output/Tape<br/>Dubbing Switch Knob</li> </ul> | <ul style="list-style-type: none"> <li>SA-5601, JKNBN0330AFSA<br/>SA-5605, JKNBN0318AFSB</li> <li>㉓ Audio Muting Knob<br/>SA-5601, JKNBM0136AFSE<br/>SA-5605, JKNBM0136AFSD</li> <li>㉔ Spacer, Audio Muting Switch<br/>SA-5601, PSPAS0008SGSA<br/>SA-5605, PSPAS0008SGSB</li> <li>㉕ Volume Control Knob<br/>SA-5601, JKNBN0316AFSA<br/>SA-5605, JKNBN0316AFSB</li> <li>㉖ Treble Control Knob<br/>SA-5601, JKNBN0338AFSA<br/>SA-5605, JKNBN0367AFSA</li> <li>㉗ Mid Tone Control Switch Knob<br/>SA-5601, JKNBN0338AFSA<br/>SA-5605, JKNBN0367AFSA</li> <li>㉘ Bass Control Knob<br/>SA-5601, JKNBN0338AFSA<br/>SA-5605, JKNBN0367AFSA</li> <li>㉙ Balance Control Knob<br/>SA-5601, JKNBN0338AFSA<br/>SA-5605, JKNBN0367AFSA</li> <li>㉚ Power Meter<br/>RMTRL0177AFZZ</li> <li>㉛ Speakers Selector Knob<br/>SA-5601, JKNBN0330AFSA<br/>SA-5605, JKNBN0318AFSB</li> <li>㉜ Headphones Jack<br/>QJAKJ0057AFZZ</li> </ul> |
|---|--|--|

Figure 1 FRONT PARTS LAYOUT

(PHOTO : SA-5601)



- |   |  |   |
|---|--|---|
| <ul style="list-style-type: none"> <li>③③ Ground Terminal<br/>QTANN0150AFZZ</li> <li>③④ Antenna Terminal<br/>QTANN0453AFZZ</li> <li>③⑤ AM Bar Antenna<br/>RCILA0429AFZZ</li> <li>③⑥ Rear Panel<br/>LANGQ0618AFSA (sa-5601)<br/>LANGQ0619AFSA (SA-5605)<br/>LANGQ0632AFSA (SA-5601C)<br/>LANGQ0633AFSA (SA-5605C)</li> </ul> | <ul style="list-style-type: none"> <li>③⑦ Speakers Terminal-B<br/>QTANZ0454AFZZ</li> <li>③⑧ Speakers Terminal-A<br/>QTANZ0454AFZZ</li> <li>③⑨ Screw, AC Outlets Socket<br/>LX-BZ0220AFFF</li> <li>④① AC Outlets Socket<br/>QSOCA0402SGZZ</li> <li>④② Bashing, AC Cord<br/>LBSHC0007AFZZ</li> <li>④③ AC Cord with plug<br/>QACCU0052AFZZ</li> </ul> | <ul style="list-style-type: none"> <li>④④ Leg<br/>GLEGP0002SG00</li> <li>④⑤ Speakers Terminal-C<br/>QTANZ0454AFZZ</li> <li>④⑥ Tape-2 (P.B. and REC) Socket<br/>QSOCJ2264AFZZ</li> <li>④⑦ Tape-1 (P.B. and REC) Socket<br/>QSOCJ2262AFZZ</li> <li>④⑧ Input (PHONO 1 and PHONO 2) Socket<br/>QSOCZ2472AFZZ</li> <li>④⑨ Input (AUX.) Socket<br/>QSOCJ2264AFZZ</li> </ul> |
|---|--|---|

Figure 2 REAR PARTS LAYOUT



# DIAL CORD STRINGING

Digitized By RidgeDweller  
For Free Distribution

DO NOT PAY FOR THIS DOCUMENT

## 1) Setting of the dial cord:

- (1) Turn the drum fully counterclockwise (at the highest frequency position).
- (2) Put a hook of the spring on the central hole of the drum.
- (3) Then proceed with stringing in the numerical order from ① to ⑧. At this work, while holding a hand at the position ⑥ to temporarily fix a dial string, wind the string on the drum by 1-½ turns at the position ⑦ (which

is an extension of the string wound at the position ⑥) and bring it through the position ⑧. Then release a hand from the position ⑥ and thus the stringing is completed.

## 2) Setting of the pointer:

- (1) Turn the tuning shaft fully counterclockwise (at the lowest frequency position).
- (2) Align the pointer to the extreme left of the dial scale plate. (See Fig. 4-1.)

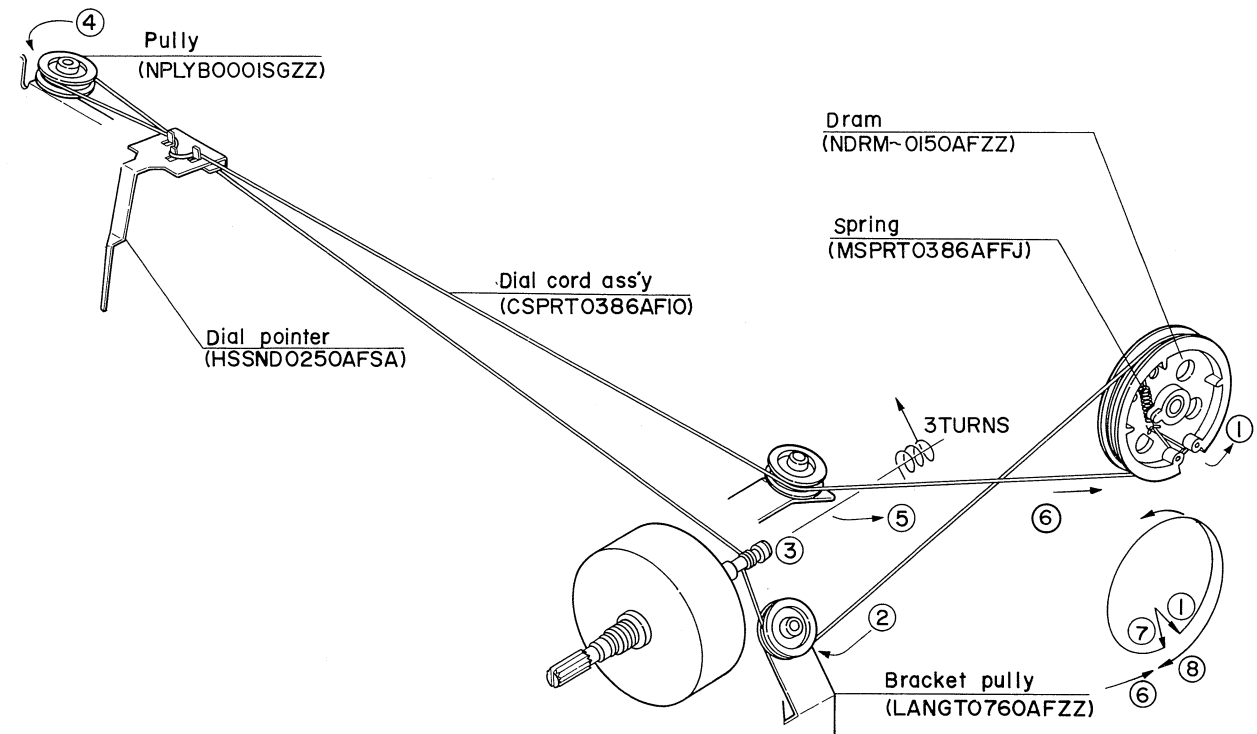


PHOTO : SA5601

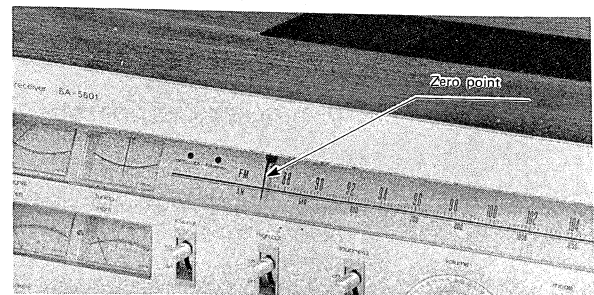


Figure 4-1

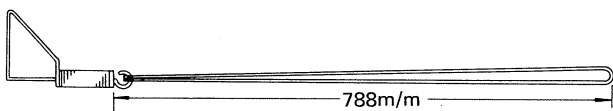


Figure 4 DIAL CORD STRINGING

DO NOT PAY FOR THIS DOCUMENT

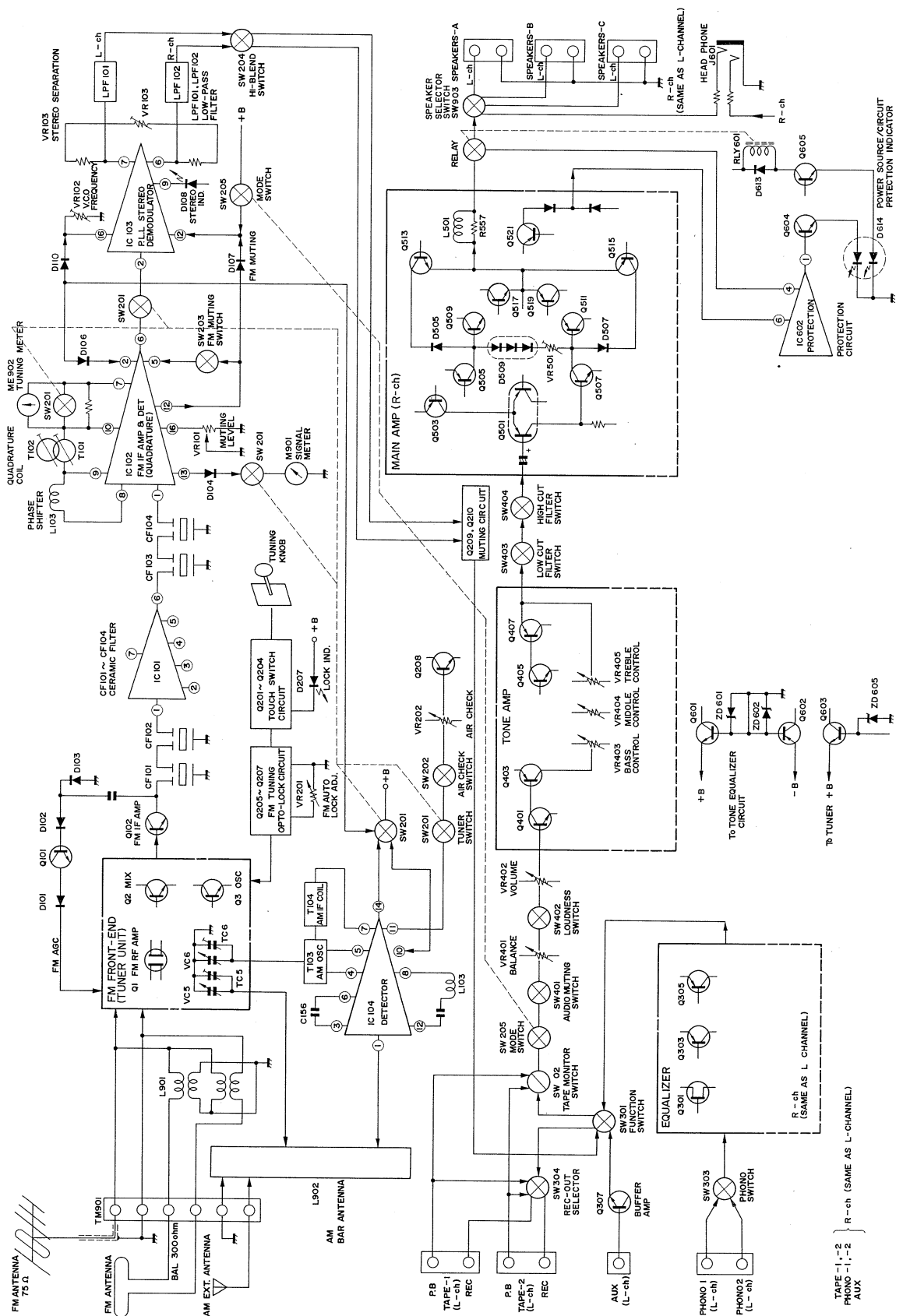


Figure 5 BLOCK DIAGRAM

# CIRCUIT DESCRIPTION

## FM RF SECTION

FM antenna input circuit has two input terminals. The 75 ohms input terminal is used when FM antenna is connected to the unit by using a coaxial cable. The 300 ohms input terminal is used when FM antenna is connected to the unit by using a balanced feeder. Fig. 6 shows FM Front-End circuit. RF amplifying section consists of 1 dual gate MOS-FET and 2 transistors.

Transistor Q1 is dual gate MOS-FET and its function is nearly the same as of vacuum tube. Due to the adoption of MOS-FET, crossmodulation characteristic and spurious characteristic are remarkably improved compared with conventional

transistor type. Dual gate MOS-FET Q1 is FM high frequency amplifier. Transistor Q2 works as frequency mixer, in which high frequency signal coming from the MOS-FET Q1 and local oscillation frequency coming from the transistor Q3 are mixed to produce 10.7MHz IF signal which will enter IF tuning transformer IF T1. The transistor Q3 is for the local oscillation and it applies oscillation voltage to the base of transistor Q2 via capacitor C15 (1.5 pF). Therefore, coil L1 is for antenna tuning, coil L2, L4 is for FM RF amplification and tuning and coil L6 is for local oscillation.

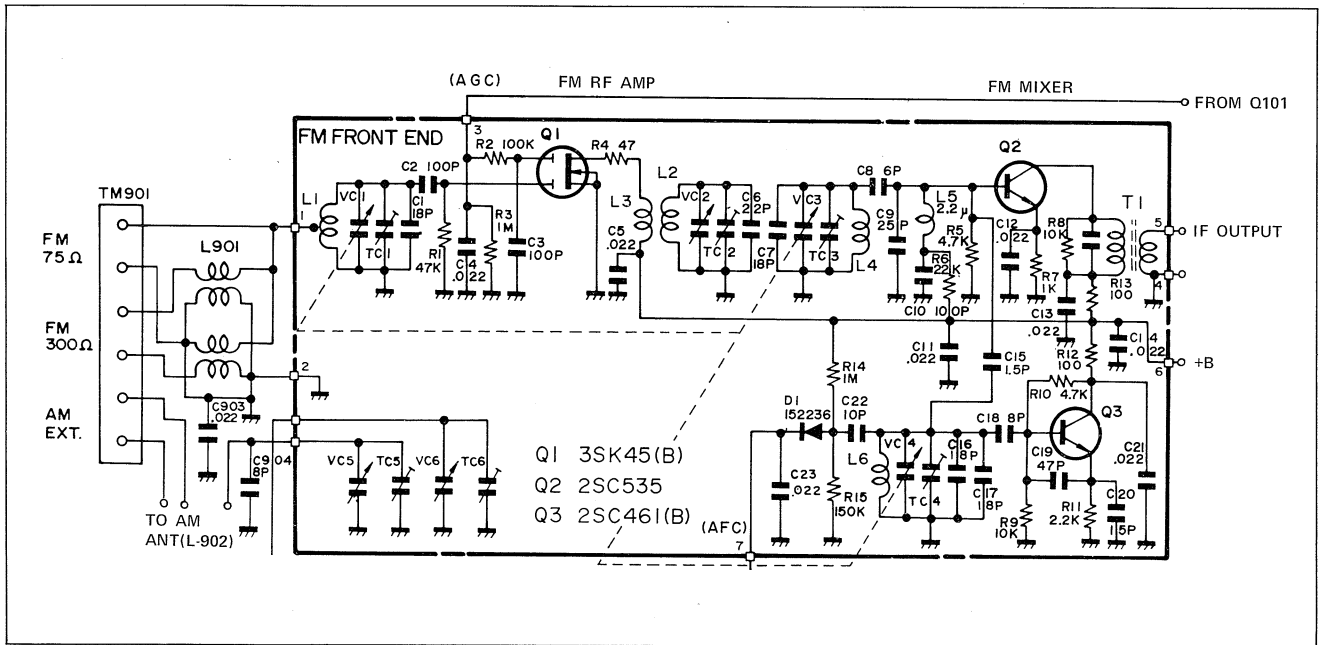


Figure 6 FM FRONT-END CIRCUIT

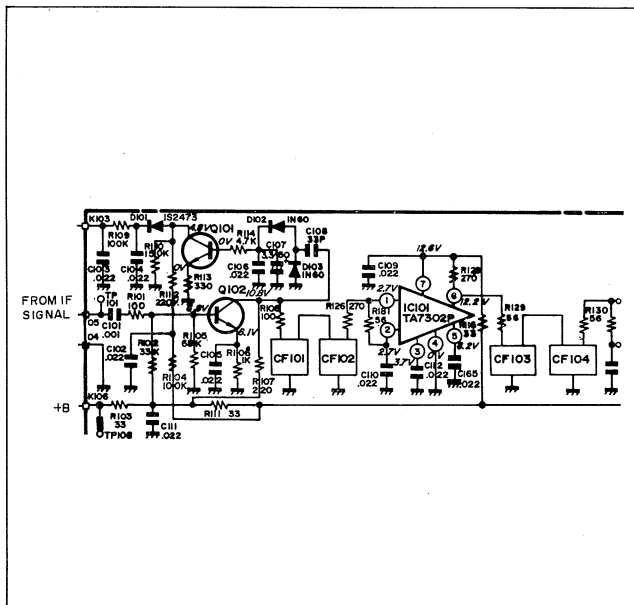


Figure 7 FM IF CIRCUIT

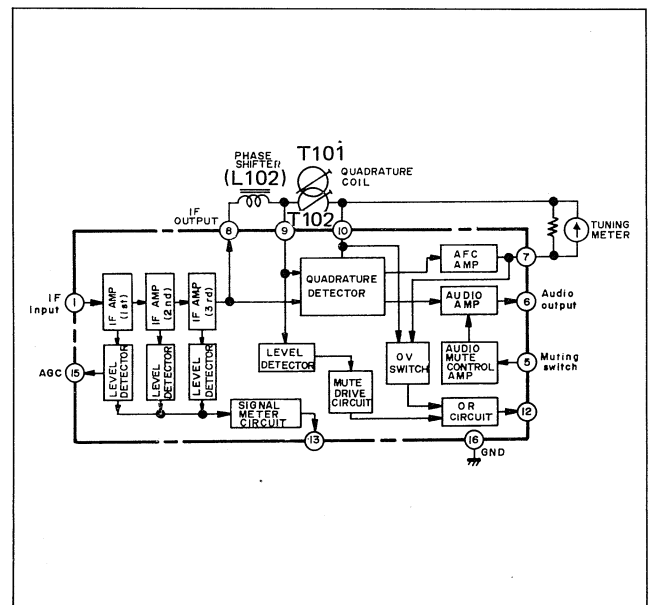


Figure 8 BLOCK DIAGRAM OF IC102

**FM IF SECTION**

FM IF section consists of 1 IC (integrated circuit), transistor and ceramic filters. Transistor Q102 is FM IF amplification transistor, which is to amplify IF signal which has been converted into 10.7 MHz signal at FM front end section. This 10.7 MHz IF signal is given a higher selectivity since it runs through the concentrated selective elements, that is, ceramic filters CF101, CF102, CF103 and CF104. These filters

**FM DETECTION SECTIONS** (Quadrature Detector Circuit)

FM Detector Circuit

This unit employs 'Quadrature Detector' based on newly developed IC (Integrated Circuit), which is substituted for ratio detector and Foster-Seeley's detector that have been so far used. The basic structure of quadrature detector circuit is as shown in Figure 9.

With this detection system, the multiplier (quadrature detector) circuit receives two types of input signals, one is the signal which has been amplified by the limiting amplifier and another which has passed through the phase shift circuit (about  $\pi/2$ ). Thus, the quadrature detector circuit produces demodulation signal.

The term 'quadrature' is resulted from that the phase difference between these two signal is  $\pi/2$ . The multiplier consists of double balance circuit as shown in the following

function to amplify IF (intermediate frequency) signals giving no distortion and to assure a necessary selectivity. The IF signal is further supplied to the terminal 1 of IC102, in which the gain of this signal is increased by about 66 dB by the three-stage differential amplifier thus being subjected to an appropriate limiter function.

circuit drawing. Phase characteristic of the phase shift circuit is as shown in Figure 11.

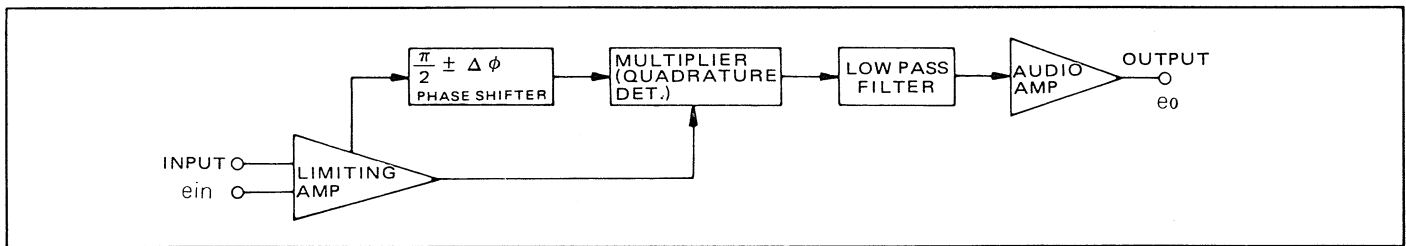
This circuit is featured by:

- (1) Good linearity and low distortion.
- (2) Operates on small signal and less higher harmonics.
- (3) Wide-band detection of as much as 1.2MHz.

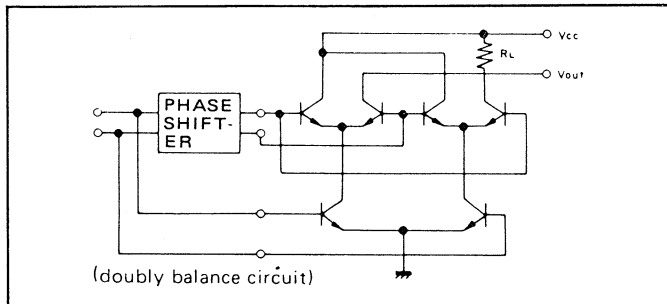
Therefore, this circuit assures low distortion even with the overmodulation of more than 100% thereby reproducing high quality sound.

Actually saying, the detecting circuit-SA5601 (SA-5601C) and SA-5605(SA-5605C) uses L102 as phase-shift coil. T102 and T103 are 10.7 MHz tuning quadrature coil.

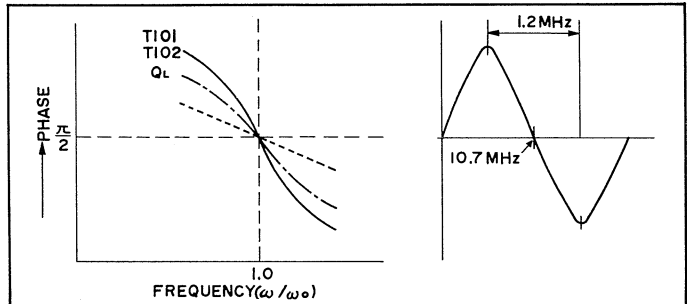
Detection output appears at the terminal 6 of IC102 and it is supplied to the terminal 2 of P.L.L. multiplex integrated circuit IC 103.



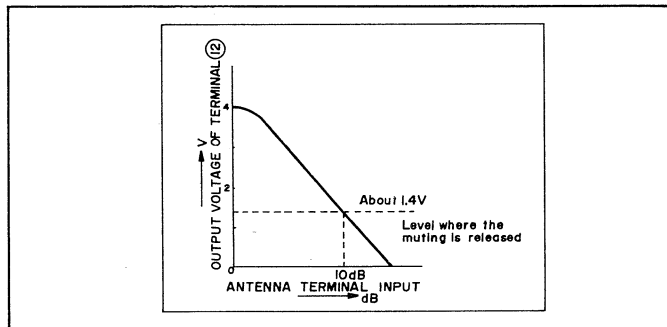
**Figure 9 BASIC STRUCTURE OF QUADRATURE DETECTOR CIRCUIT**



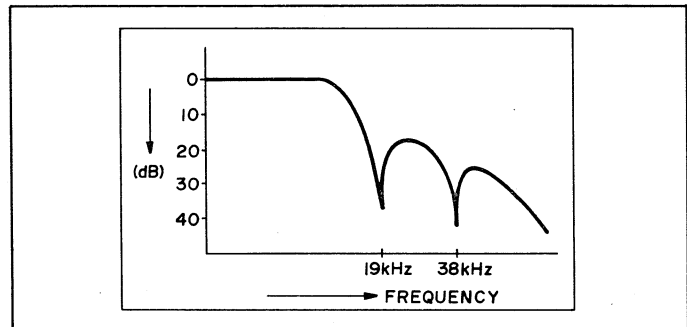
**Figure 10**



**Figure 11**



**Figure 12**



**Figure 13**

**FM MUTING CIRCUIT**

In these sets SA-5601 (SA-5601C) and SA-5605 (SA-5605C), IC102 incorporates a muting circuit and this circuit is so designed that if FM input signal caught by the antenna becomes more than 10dB when the muting switch (SW203) has been set "on" position, the muting effect is released and thus the signal can appear at the output without undergoing muting. The muting release signal first develops at the terminal 12 of IC102, then to be applied through the muting switch

(SW203) to the terminal 5 of IC102, so that the muting effect is able to become nil.

Figure 12, shows the output voltage of the terminal 12 of IC102. This signal (to release the muting) is then supplied to the terminal 12 of P.L.L. stereo multiplex demodulator integrated circuit IC103 to change the stereo signal that forced to monaural signal.

**LOW-PASS FILTER**

LPF101 and LPF102 are low-pass filters to remove carrier signals (19 kHz and 38 kHz) leaking from the stereo multiplex IC103. The characteristic is as shown in the Figure 13.

**FM STEREO DEMODULATOR SECTION**

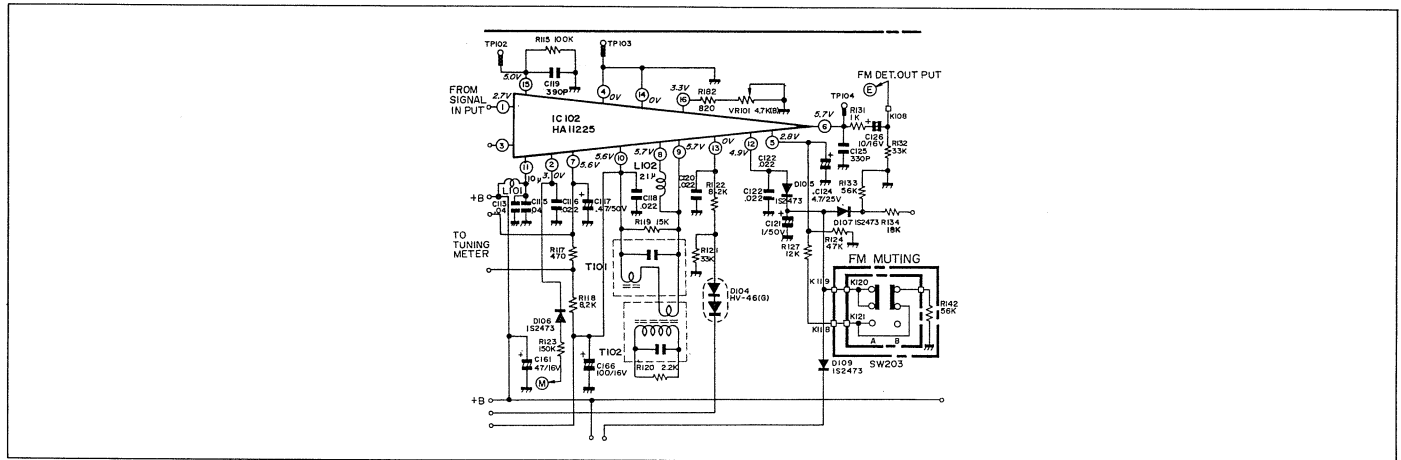
**1) Features of P.L.L. stereo demodulator circuit**

This set incorporates a stereo demodulator circuit that comprises IC's with the P.L.L. (Phase Locked Loop) system applied. The P.L.L. stereo demodulator circuit is provided with such characteristics as mentioned below.

In order to demodulate stereo composite signals, it is necessary to take a 19kHz pilot signal out of the stereo composite signals and to make it a 38kHz signal.

Most of the conventional methods to obtain such a 38kHz signal are frequency doubling ones which utilize a nonlinearity

of the elements. Compared with the conventional type, the recently developed IC-ed demodulator provides more sufficient separation effects. However, since it also requires 2 or 3 coils like the conventional one, if even one of them is dislocated from the initially adjusted point due to a secular change the separation effects will be deteriorated. Moreover there is such a contradiction that the more the efficiencies of the coils are increased enough to withstand the outer pulse signals like automobil ignition noises, the more the coils suffer



secular changes.

To eliminate such disadvantages as above, P.L.L. system is employed in the method to make a 38kHz signal using a 19kHz pilot signal.

The P.L.L. system stereo demodulator gives such three merits as

Since the phases of a pilot signal and a 38kHz signal are automatically made the same with each other, the deterioration of separation effect is strongly minimized. Since only one of variable resistor, being newly employed, plays the role of 2 to 3 pieces of conventional coils, troubles of the parts due to secular changes are decreased. In addition, even if this variable resistor is slightly dislocated, the separation effect will never be deteriorated because of the merit as mentioned in 1 by which the automatic phase adjustment is assured.

Compared with the conventional one, the P.L.L. system demodulator shows a more noise withstanding characteristic since it has such performances as the selection of

frequencies and the continuity of oscillation frequencies (short-time memory); thus assuring a stable stereo demodulation.

## 2) FM stereo demodulator circuit

IC103 is an integrated circuit for P.L.L. stereo demodulation and its block diagram is as shown in Figure 15.

V.C.O. free-running frequency is to be adjusted to 76kHz by adjusting semi-fixed resistor VR102 (10K ohm). TP106 is the test point for frequency observation. (See the paragraph 'Adjustment' described later.)

During AM reception, +B voltage is supplied to the terminal 16 of IC103 through diode D110 and resistor R178 so that oscillation frequency of V.C.O. will be stopped.

Semi-fixed resistor VR103 (220K ohms) aim at the adjustment of stereo separation and with this resistor it is possible to minimize crosstalk to the opposite channel. +B voltage is supplied to the terminal 12 of IC103 to force stereo signals to become monaural ones.

collator circuit. VR103 is semifixed resistor to be used for adjusting the air check signal level.

How to record FM broadcast using the air check calibration system is described below.

Set the "air check" switch to "ON" position, put the tape recorder in record mode, apply air check signal to the tape recorder and adjust the record level so that the record level meter of tape recorder indicates "0VU". After that, set the air check switch to "OFF" position and proceed with recording FM broadcast.

## AIR CHECK CALIBRATION CIRCUIT

This circuit is to make appropriate the recording level in advance when recording FM broadcast into the tape recorder. The circuit shown in Figure 17 hereof is CR type oscillator circuit to be used for the air check calibration (about 400 Hz). In other words, when the "air check" switch at the front panel is set to "ON" position, and it appears at the output socket at the rear panel being as air check signal level. The air check signal level is set to  $60 \pm 8\%$  of the output voltage obtained when the tuner receives FM broadcast signal (modulation 100%, 75kHz deviation) and this level voltage appears at the output terminal of the rear panel through the air check os-

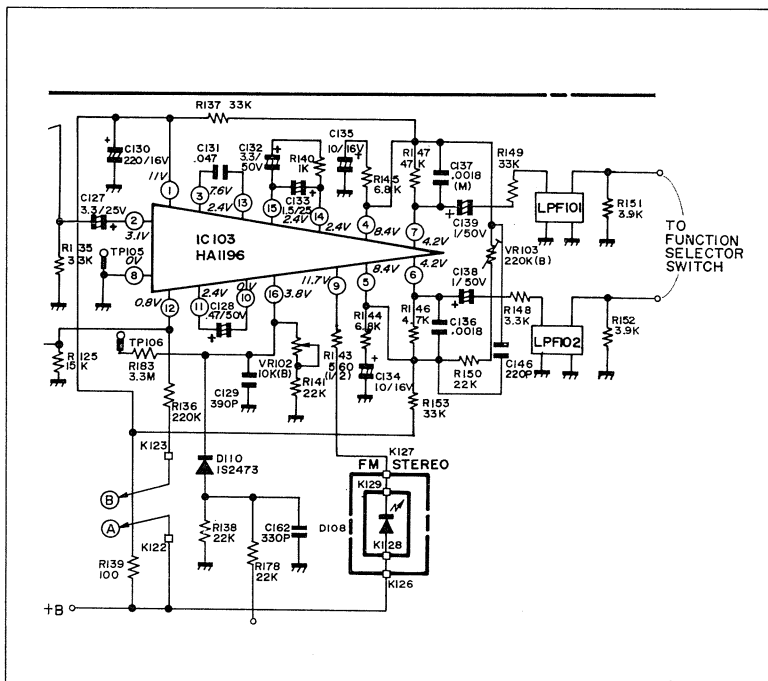


Figure 16 FM STEREO DIMODULATOR CIRCUIT

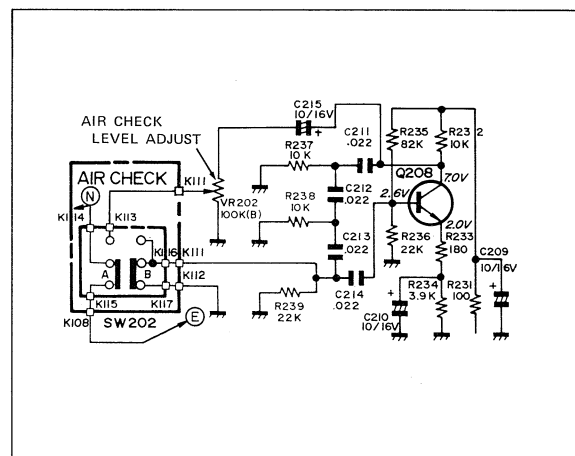


Figure 17 AIR CHECK CAL. CIRCUIT

## HI-BLEND CIRCUIT

The hi-blend circuit is composed of hi-blend switch (SW204) and capacitor C140 as shown in Fig. 18. If a stereo broadcast reception contains much noises, when the band selector switch is set to 'hi-blend' position, noises of both the right and left channels will be offset by each other since in the case of receiving the stereo broadcast, noises included in the both

## FM TUNING OPTO-LOCK MECHANISM

This FM tuning opto-lock mechanism is the touch sensor system one by which a desired FM broadcast, if tuned by the tuning knob, will be automatically locked as it were after the tuning knob is released; the tuning is thus hardly affected by external conditions so that the listener can enjoy a distortion-free reception for a longer time without any readjustment of the tuning. Light emitting diode D207 (red) of the lock indicator lights up when the lock circuit functions to have the tuning be locked to the desired FM broadcast.

### 1. CAPTURE RANGE

In receiving an FM broadcast, if the tuning is completed even in the vicinity of  $\pm 100\text{kHz}$  of such broadcast, an optimum tuning point is automatically selected to be locked.

### 2. DETUNING CHARACTERISTIC

After the lock indicator (D207) is lit (that is, a desired broadcast is tuned and locked by using the tuning knob), if the tuning knob is again touched by hand to make detuning, the lock circuit is unlocked: the lock range is about  $\pm 400\text{kHz}$ .

### 3. BEHAVIOR OF OPTO-LOCK CIRCUIT (See Fig. 20)

#### 1) Touch Tuning Circuit

When the tuning knob is being touched by hand, human body-generated hum is applied to point (a) to be amplified by the transistors Q201 and Q202. The signal thus amplified is rectified by the diodes D201 and D202 to produce positive (+) voltage at the point (b) so that the transistor Q203 is turned on while the transistor Q114 is therefore turned off. Next, base voltage of transistor Q207 rises up and so the transistor Q207 is turned on, resulting in that a reference voltage c appears as it was at the test point TP204 to release the lock circuit. Upon the completion of tuning, when the hand is released off the tuning knob, the hum signal stops to enter the point (a) and therefore no positive voltage appears at the point (b) so that the transistor Q203 is turned off while that Q114 is turned on. As a result, since the base potential of transistor Q207 becomes 0V, the transistor Q207 is cut off and detuning detection voltage is, from the terminal 7 of the integrated circuit IC, applied to the point (d). This results in that frequency control voltage which has been DC amplified by the transistors Q205 and Q206 appears at the test point TP204 to be supplied to AFC terminal of the FM front-end circuit and thus such control frequency is applied to the diode D1 of the front-end circuit: in this way, the local oscillation frequency is controlled to be locked to an optimum tuning point. Simultaneously with this locking, the lock indicator (D207) lights up.

#### 2) Drive Circuit for the Opto-Lock Circuit and Indicator Circuit

The transistor Q204 works to drive the indicator circuit and opto-lock ON-OFF circuit. When a hand is released

channels are at anti-phase relation from each other. This results in that the amount of noises is reduced so that the reproduced sound becomes more agreeable to human ears. In this case, the stereo separation effect becomes, however, somewhat inferior in the high-frequency range.

off the tuning knob, the transistor Q203 is turned off while that Q204 is turned on so that the lock indicator (D207) lights up.

#### 3) Lock ON-OFF Circuit

The transistor Q207 is the one that can turn on or off the lock circuit: instantly when the transistor Q204 is turned on and the lock indicator lights up, the transistor Q207 is turned off.

With the transistor Q207 turned off, lock signal arising, at the terminal 7 of IC101 is supplied to the point (e) to be amplified by DC amplifier (transistors Q205 and Q206), so that it will appear at the test point TP204 through the resistor R228.

On the other hand, with the transistor Q207 turned on, a reference voltage at the point C appears as it is at the test point TP204 so that the lock circuit won't tend to operate. In the status where the lock circuit is not operating, a reference voltage is being applied to AFC terminal of the front-end circuit through the transistor Q207--this is totally the same as in an ordinary type tuner.

#### 4) DC Amplifier for Lock Signal Amplification

This DC amplifier is composed of transistors Q205 and Q206 and it is to amplify the signal at the point (e) while reversing the polarity from one to another. Capture range of the locking is decided by how much amplification degree this circuit has. Diodes D206 and D205 are to carry out temperature compensation for this DC amplifier. Variable resistor VR201 is, if used, to adjust the center of the lock signal which has been supplied from the point (e) so that it will be aligned with the reference voltage (the voltage at the test point TP204) which has been supplied from the point c when the lock circuit is turned on.

#### 5) Capture Range

Zero-volt switch is provided at IC102 and it has such a characteristic as shown in Fig. 22: only when a desired signal is tuned to the vicinity of  $\pm \Delta f$  from the exact tuning point, the switch is turned on (as indicated by the oblique lines in Fig. 22) and detuning detection signal appears at the terminal 7.

Therefore, capture characteristic appearing at the point (e) becomes effective in the shaded zones in Figs. 23 and 24. (indicated by the oblique lines in Fig. 21)

#### 6) Lock Range

If the tuning is once set up (captured), it can withstand the frequency drift caused due to the fluctuation of external conditions: the resistive range is practically about  $\pm 200\text{kHz}$  (nearly equal) although it differs a little according. A difference between Figs. 23 and 24 is resulted from that the lock gain is increased by the transistors Q205 and Q206 so as to make polarity conversion of the frequency control voltage and to have the tuning be locked to a more accurate tuning central frequency.

DO NOT PAY FOR THIS DOCUMENT

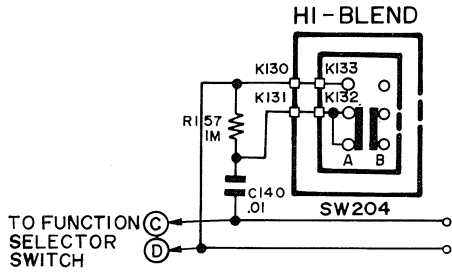


Figure 18

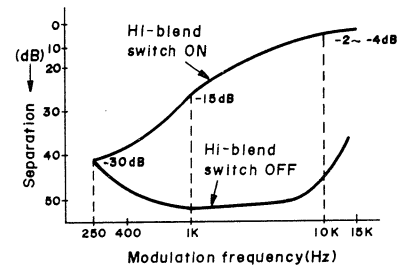


Figure 19 HI-BLEND CHARACTERISTIC

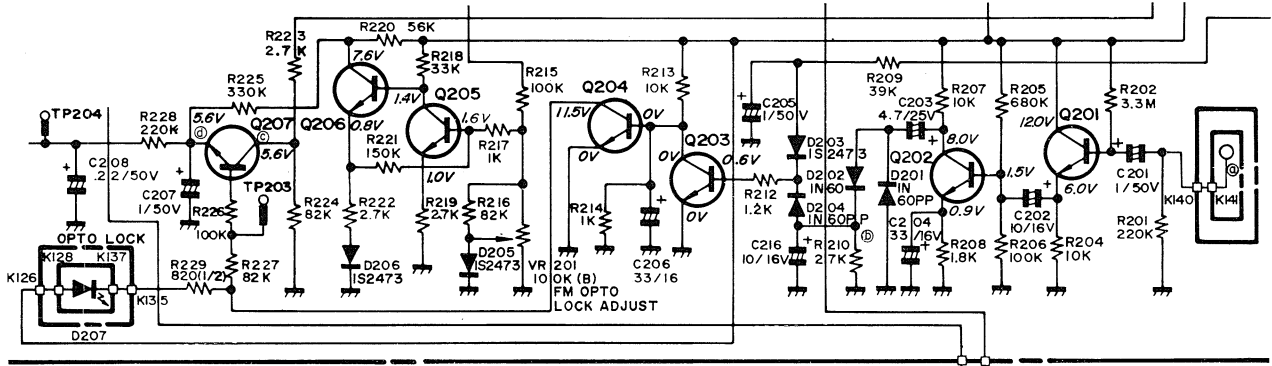


Figure 20 FM TUNING OPTO-LOCK CIRCUIT

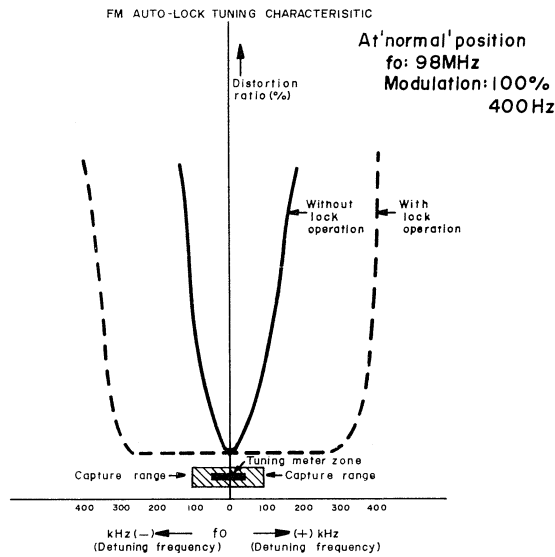


Figure 21 OPTO-LOCK TUNING CHARACTERISTIC

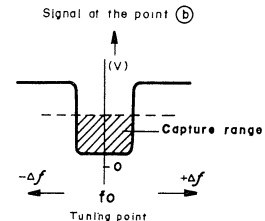


Figure 22

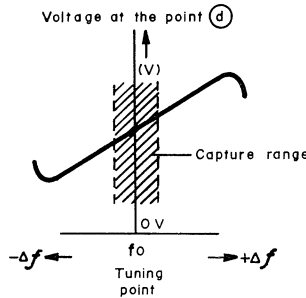


Figure 23

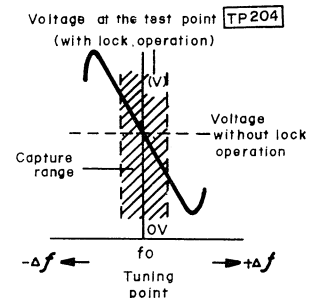


Figure 24

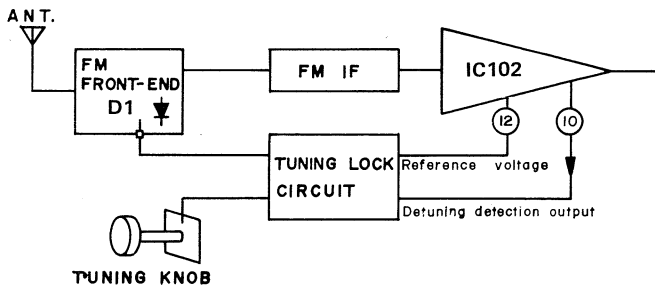


Figure 25 OPTO-LOCK LOOP

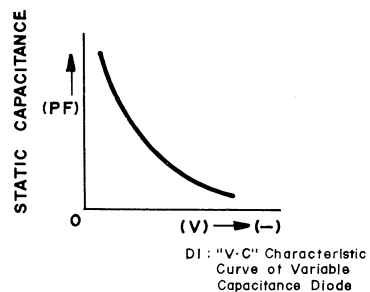


Figure 26

D1: "V-C" Characteristic Curve of Variable Capacitance Diode



### TRIPLE TONE CONTROL CIRCUIT

Different from the conventional one having two tone controls (bass and treble), this new tone control circuit permits control (increase or decrease) of three tone ranges bass, mid and treble respectively, which can thus be called a full-fledged NF (negative feedback) type tone control circuit. The transistors employed in this circuit features a low-noise characteristic, which helps widen a dynamic range, reduce a distortion factor as well as improve a phase characteristic.

Coming out of the volume control (VR402), the signal is first applied to the two-stage-directly-coupled flat amplifier which consists of the transistors Q401 and Q403 and next, via the bass, middle and treble controls, to the emitter follower type buffer amplifier formed by the transistors Q405 and Q407,

where it is again amplified then to be passed on to the next stage low-cut and high-cut filters. As to a negative feedback characteristic of this circuit, it is so designed that some of the output signal at the Q407 (emitter) is coupled back to the Q403 of the first stage flat amplifier.

The VR 403 refers to a manual bass control which enables changing the frequency characteristic for the 100 Hz signal within a continuous variable range of  $\pm 10$  dB; the VR404, to a manual mid control, for the 1 KHz signal, within a range of  $\pm 8$  dB; the VR405, to a manual treble control, for the 10 KHz signal, within a range of  $\pm 10$  dB. The manual tone control is of a detent type.

### EQUALIZER AMPLIFIER CIRCUIT

The equalizer circuit is powered by the two-power-supply system. Q301 and Q302 in the 1 stage are high-amplification and low-noise type. FET and input signals to these transistors are directly coupled with the 2 stage Q303 and Q304 in the 2 stage are low-noise transistor, in which almost all of the gains for the equalizer circuit are assured. The 3 stage is composed

of Q305 and Q306 and it includes DC load resistor R327 and R328 the resistance of this resistor is limited to the minimum to assure signal inputs in a high frequency range. C315 and C314 are board strap capacitors which are to increase the gains of the 2 stage transistors Q303 and Q304 to improve the linearity.

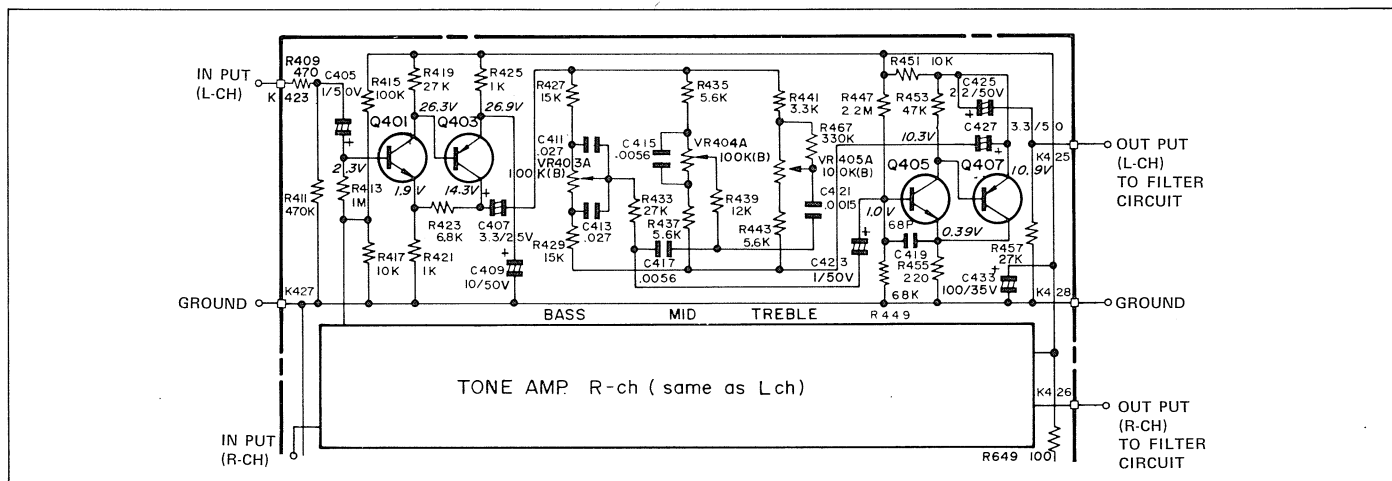


Figure 29 TONE AMP. CIRCUIT

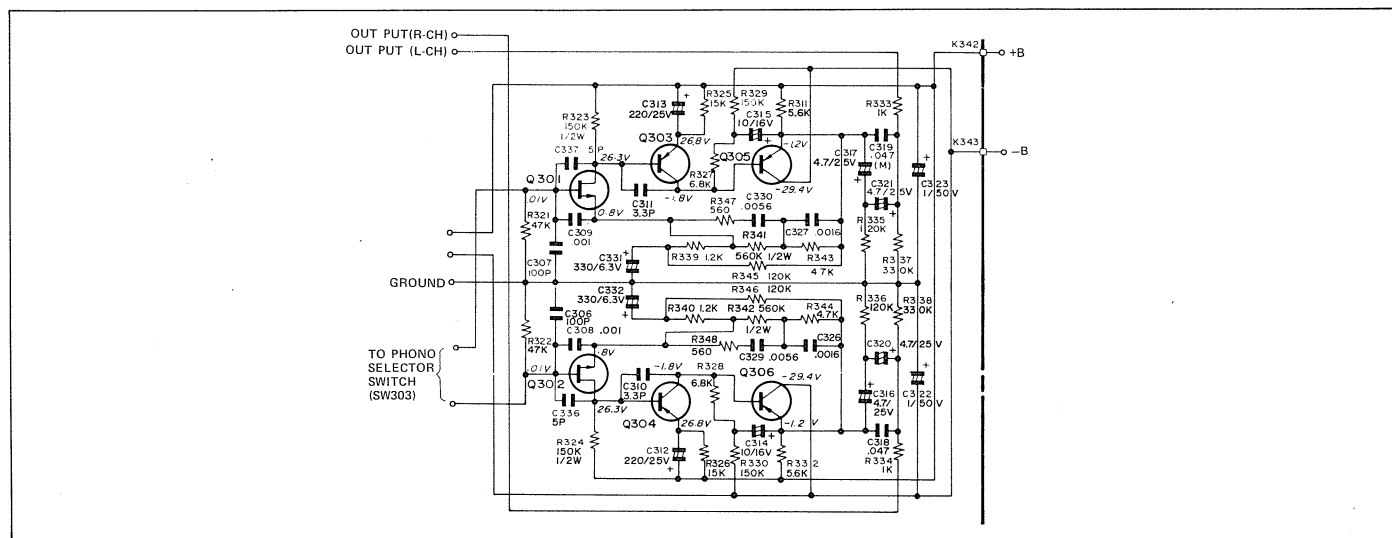


Figure 30 EQUALIZER (PHONO) CIRCUIT

**MAIN (POWER) AMPLIFIER SECTION**

The main amplifier consists of all-stage direct-coupled pure complementary output capacitorless circuit. This main amplifier is designed to operate on the 2-power (positive and negative) supply system and so the speaker terminal output voltage becomes earth potential (0V) in terms of DC component. Therefore, with this amplifier it is not

**FEAUTURE OF PURE COMPLEMENTARY OCL CIRCUIT**

Since this circuit is not using output capacitor, the frequency characteristic is kept uniform even at very low frequency band and the output impedance is low in any of frequency bands resulting in that the value of damping factor is made larger so that the braking efficiency of speaker is increased.

**MAIN AMPLIFIER**

The main amplifier is OCL (Output Capacitor-Less) circuit in which the class "A" drive circuit consists of 1-stage differential amplifier circuit.

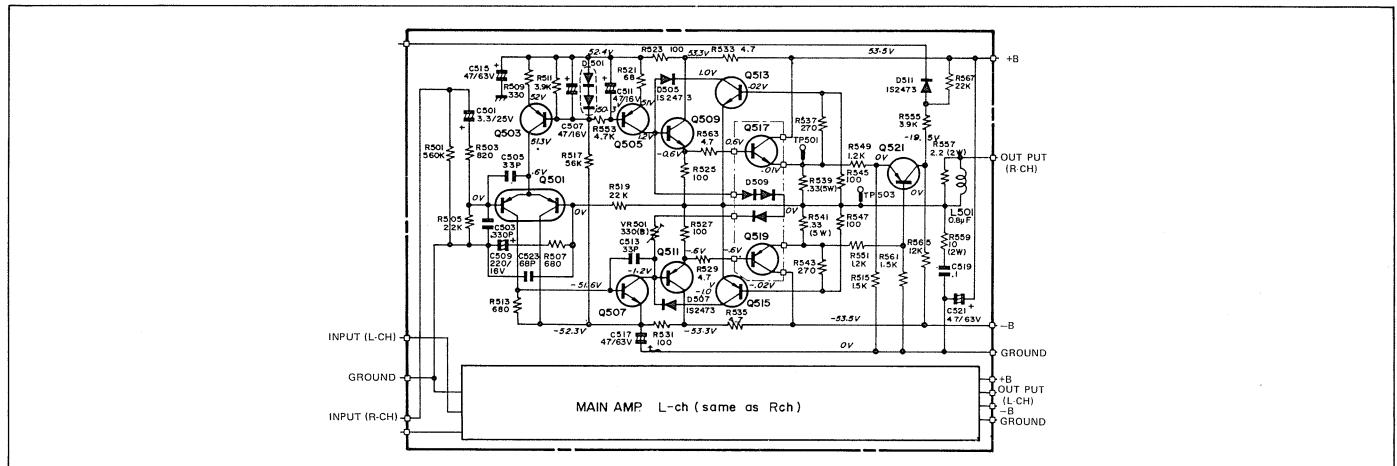
The signal coming from the filter circuit is amplified by differential amplifier Q501 (or Q502) via resistor R503 (or R504) and dapacitor C501 (or C502). The transistor used in this differential amplifier is a PNP type low noise dual transistor (2 SA798G) the characteristic of which is almost not affected by fluctuations of temperature so that the voltage resulted in the speaker terminal is protected against such fluctuations and it is kept always to minimized.

Singal thus amplified by the differential amplifier is further amplified by the class "A" audio amplifier Q507 (or Q508). Moreover, the signal is amplified for the half cycle at the driver amplifier stage consisting of NPN type transistor Q509 (or Q510) and PNP type transistor Q511 (of Q512). Then, the signal is further amplified for the half cycle at NPN type transistor Q517 (or Q518) and PNP type transistor Q519 (or Q520) to be supplied to the speaker. Transistors Q503 (or Q504) and Q505 (or Q506) are constant-current circuit and its amperage is determined by D509. Transistor Q503 (or Q504) functions to protect the differential amplifier Q501 (or Q502) against fluctuations of temperature and voltage resulting in that the center voltage (speaker terminal voltage) is kept constant. Transistor Q505 (or Q506) is constant-current circuit to supply constant current so that the load applied to the class "A" driver Q507 (or Q508) will be reduced thus the gain

necessary to use a coupling capacitor for cutting off DC component although it has so far been required when the speaker is connected to the amplifier. Besides, it enables the amplification in a wider range from lower frequency to higher frequency. This is an origin of the term OCL (Output Capacitor-Less).

With this circuit, since a 100 percent NF is assured when the frequency of signal is zero and the value of NF is determined at only one place when the frequency of signal is at low band, the function of circuit is stabilized.

being increased. As a result of the gain of Q507 (or Q508) being increased by Q505 (or Q506), plenty of NF is produced and so that distortion is lessened. NF factor of NF circuit is determined by resistors R519 (or R520) and R507 (or R508), and the higher NF factor, the higher is the gain. NF factor at the low frequency band is determined by capacitor C509 and resistor R507. Transistor Q505 (or Q506) and Diode D509 (or D510) are to cause the bias of class "B" drive stage and to produce idling current of 33~100mA so that cross-over distortion due to class "B" operation is eliminated. The idling current is to be adjusted by semi-variable resistor VR501 (or VR502). Resistor R559 (or R560) and capacitor C519 (or C520) are to keep the power amplifier stabilized when given no load. Coil L501 (or L502) functions to prevent of high-frequency oscillation. Transistor Q521 (or Q522) works as protection circuit. Q513 (or Q514), Q515 (or 516), D505 (or D506) and D507 (or D508) are short circuit, etc. at the output section and they detect voltage which will be caused at R545 (or R546) and R547 (or R548) (emitter resistor) if current runs excessively-if the detected voltage is higher than as roted, the collector-emitter of Q513 (or Q514) and Q515 (or Q516) becomes conductive. D505 (or D506) and Q505 (or Q506) are being located between the base of Q509 (or 510), Q511 (or Q512) and the center (speaker output) and serve as constant-current circuit, and this results in that the power transistor (Q517, Q 519 or Q518, Q520) is assured of a rating current.



**Figure 31 MAIN (POWER) AMPLIFIER CIRCUIT**

## PROTECTION CIRCUIT (RELAY CIRCUIT)

The protection circuit used in this set is so designed as to function in the following instances:

- (1) It protects the speaker against possible shock noise caused when the power switch is turned on.
- (2) It protects the speaker against possible shock noise caused when the power switch is turned off.
- (3) It functions when DC voltage is generated at the speaker terminal (for instance, when DC voltage gets unbalanced due to a trouble inside the amplifier).
- (4) It functions when the speaker terminals are shorted and the load impedance is lowered (for instance, when several speakers are connected in parallel to the amplifier) and over load.
- (5) In the case of the temperature of heat sink increasing abnormally.

- The protection circuit is composed of Schmidt trigger circuit (Q604, Q605), IC601 and transistors (Q521, Q522) which detect something abnormal in the circuits.
- If the base potential of the Q604 and Q605 of Schmidt trigger circuit becomes lowered, the Q604 is turned off so that its collector potential increases and the base potential of Q605, thereby, also increases: then, the Q605 is turned on causing a collector current to turn on the relay (RLY 601) so that the speaker is energized.
- If the base potential of the Q604, and Q605 is increased, there occurs an action reverse to the previous one to turn off the relay (RLY 601), resulting in that no output is applied to the speaker.
- The LED (D614) lights up green and red respectively when the relay is turned on and off.
- The transistors Q521 and Q522 are to detect something

abnormal in the circuitry if caused, thereby to apply a signal via the diode (D511 or D512) to the terminal 6 of IC602 turning off the relay (RLY601).

- (1) The protection circuit is so designed that the relay starts to act in 4 to 5 seconds after the power switch (SW901) is turned off, during which the circuits concerned can achieve normal actions.
- (2) The relay is initiated through the process that AC power from the power transformer (T901) is once negative- and half-wave-rectified and the resultant negative component is applied to the terminal 5 of IC602.
- (3) When DC voltage of the main amplifier becomes positive or negative with respect to the neutral level, this level variation is detected by the transistors if it exceeds the specified threshold voltage of  $\pm 5V$ , so that the relay is turned off to cut off power to the speaker. It is in this way that the speaker is protected against damage by a voltage increase.
- (4) The main amplifier and speaker will be damaged if during operation, the speaker terminals are shorted, the load impedance extremely lowers or the input signal amount becomes excessive. However, this possibility is also eliminated by the protection circuit. Being of a function-latch type, the relay of this protection circuit is so designed that it, even after the abnormality has been eliminated, doesn't tend to turn on unless the power switch is turned off first and then turned on again.
- (5) If the heat sink plate is heated up abnormally, resistance of the thermistors (TH901, TH902) is increased to be subjected to voltage division by the R619, so that there develops voltage at ends of the thermistors to be applied to the terminal 3 of IC602, thereby turning off the relay.

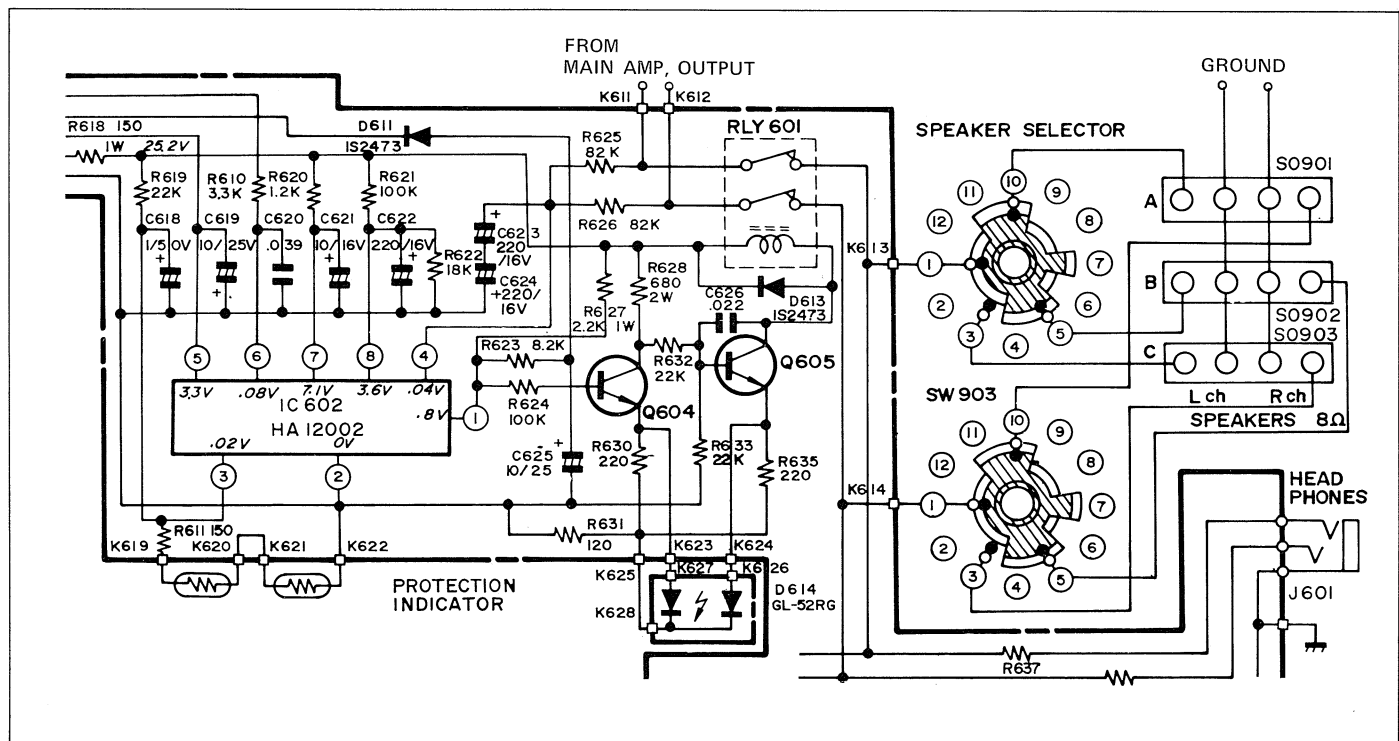


Figure 32 PROTECTION CIRCUIT

DO NOT PAY FOR THIS DOCUMENT

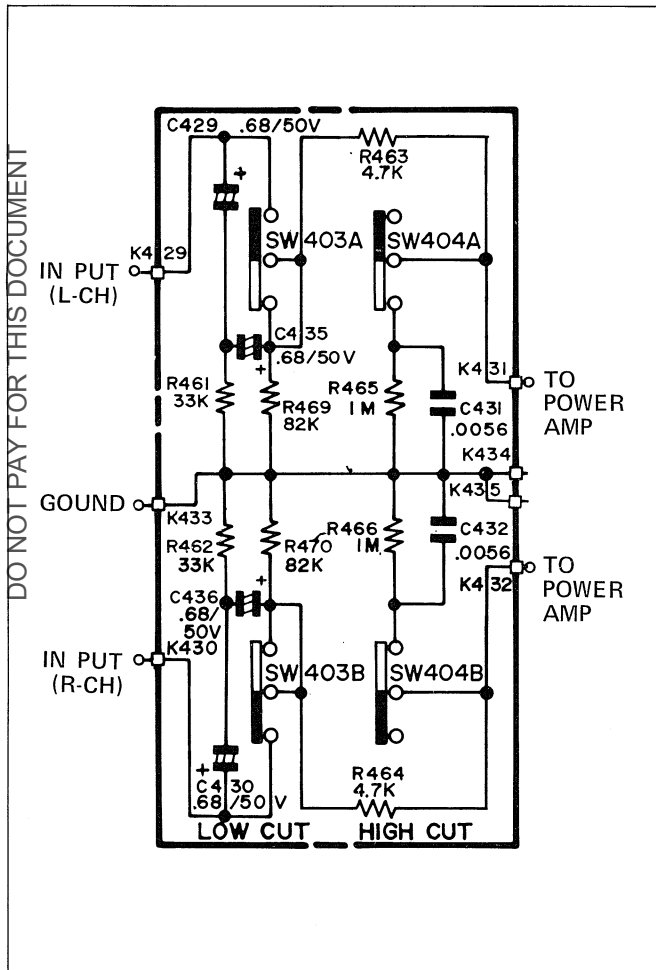


Figure 33

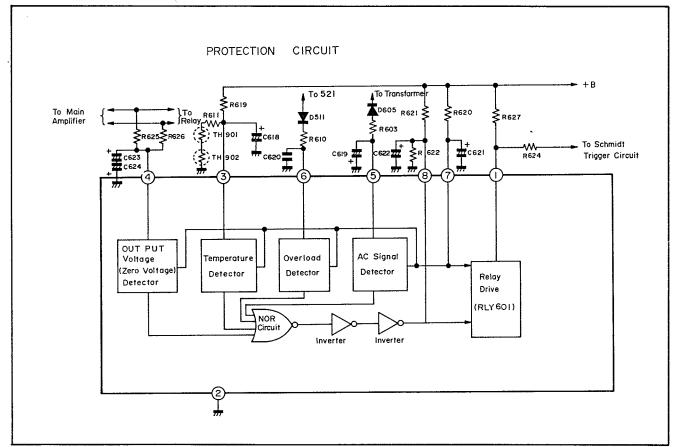


Figure 34

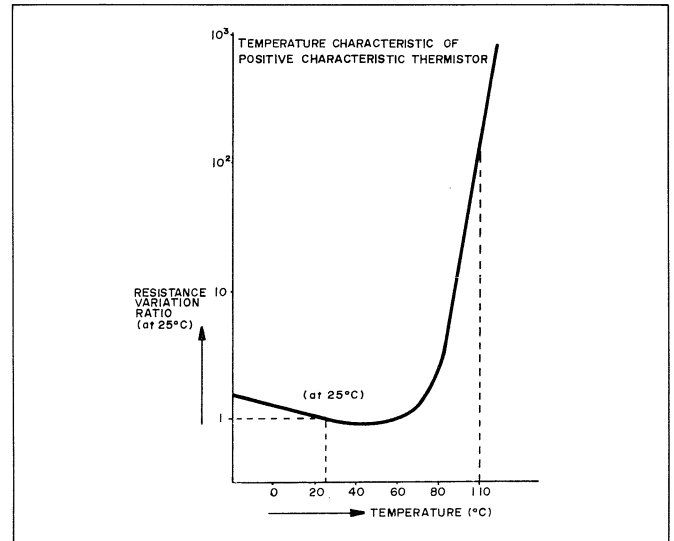


Figure 35

### POWER SUPPLY CIRCUIT

#### 1. Main Amplifier Power Supply Circuit

This power supply circuit which deals with rather a larger current needs to resist, by itself, against its big output power and to meet this requirement, it has two power supplies, one each for the right and left chnnels thus reducing voltage fluctuations and crosstalk. The included capacitors C709, C710, C711 and C712 are each featured by a large capacitance and high performance stability and this advantage allows the main amplifier to provide enough output even in the lower frequency range, also with the damping factor being further improved.

#### 2. Preamplifier Power Supply Circuit

This power supply circuit is composed of transistors Q601 and Q602 (serving as ripple filter), Zener diodes ZD601, ZD602, ZD603 and ZD604, and capacitors C609 and C610,

all of which form a so-called regulated power circuit. The resultant power is thus made to have less fluctuation and then supplied to the equalizer circuit and tone circuit.

#### 3. Tuner power Supply Circuit

This power supply circuit is of a regulated power type consisting of transistor Q603 (serving as ripple filter), Zener diode ZD605 and capacitor C616.

Note that a power supply for the tuner is controlled by the tuner switches SW902a and SW902b which are independent of the main power switch SW901 used to cause other power supplies. The resultant power is applied to the dial illuminating lamps PL901, PL902, PL903, PL904 PL905 and PL906 and tuner circuit.

DO NOT PAY FOR THIS DOCUMENT

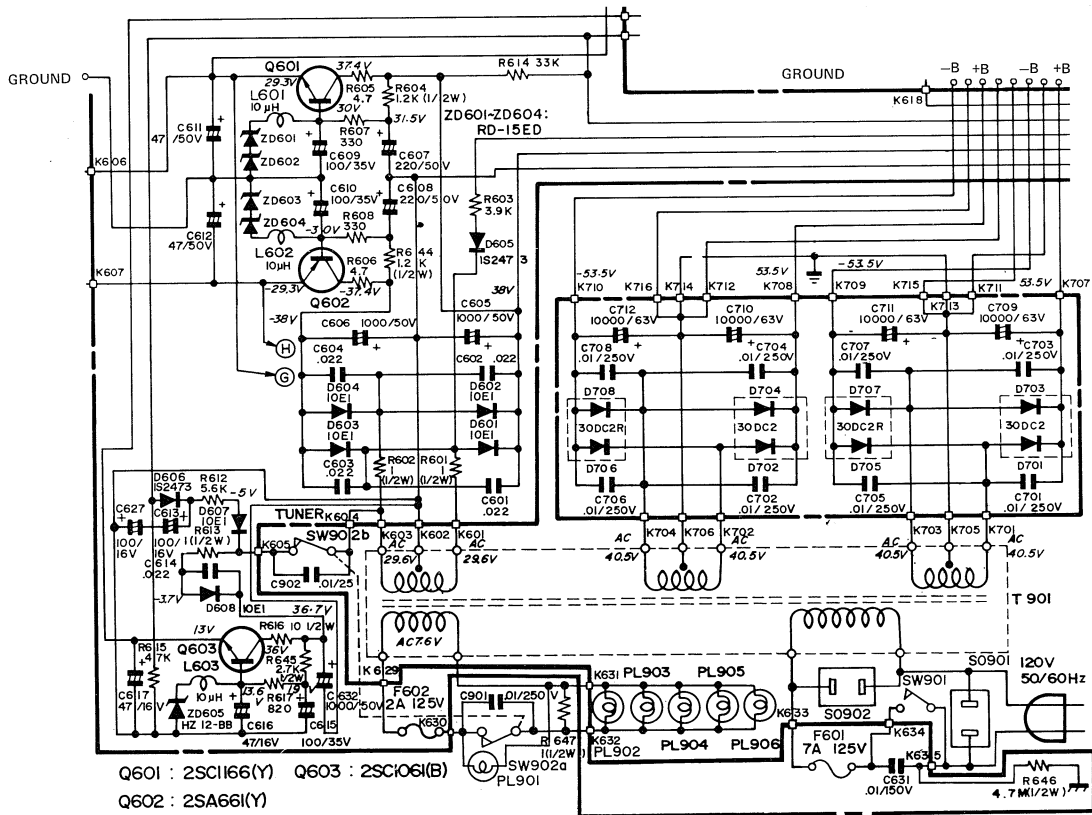


Figure 36 POWER SUPPLY CIRCUIT

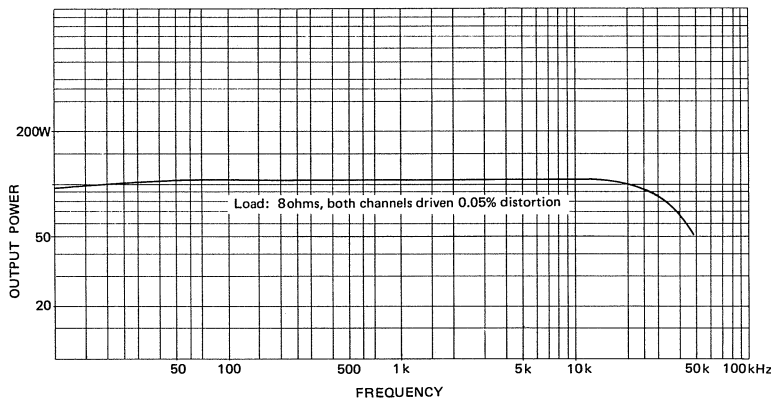


Figure 37 POWER BANDWIDTH CHARACTERISTIC

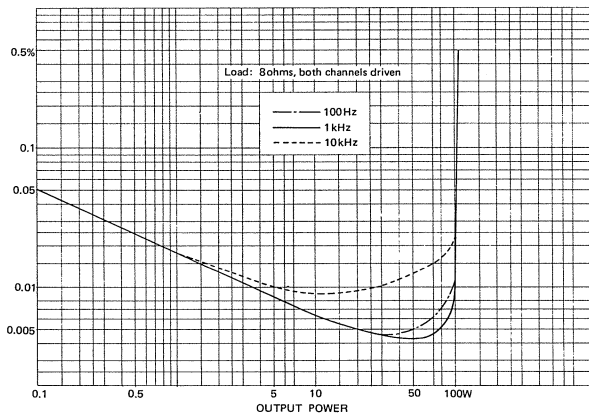


Figure 38 OUTPUT VS TOTAL HARMONIC DISTORTION

**POWER METER DRIVE CIRCUIT**

The main component of this meter drive circuit is an integrated circuit IC601 which assures a simultaneous power driving for both the right and left channels; the peripheral components are capacitors, resistors and semi-variable resistors. The 1/4 power compressor circuit included in the IC601 enables the power meters to indicate the source output in the range of 0.01W to 300W.

The resistors R638 and R641 are to determine the amount of input current for the IC601. The semi-variable resistors VR 601 and VR602 are used to adjust so that the power meters

M903 and M904 will respectively read the rated output value provided that input current for the IC601 is set to 1 mA. The resistors R639 and R640 are to function when input current for the IC601 is shut off by the relay RLY 601, so that they prevent the IC601 from picking up possible noises at that time, thereby the power meters getting free from any mis-operation.

The capacitors C629 and C630 serve to decide the respective recovery time of the power meters.

Digitized By RidgeDweller  
For Free Distribution  
DO NOT PAY FOR THIS DOCUMENT

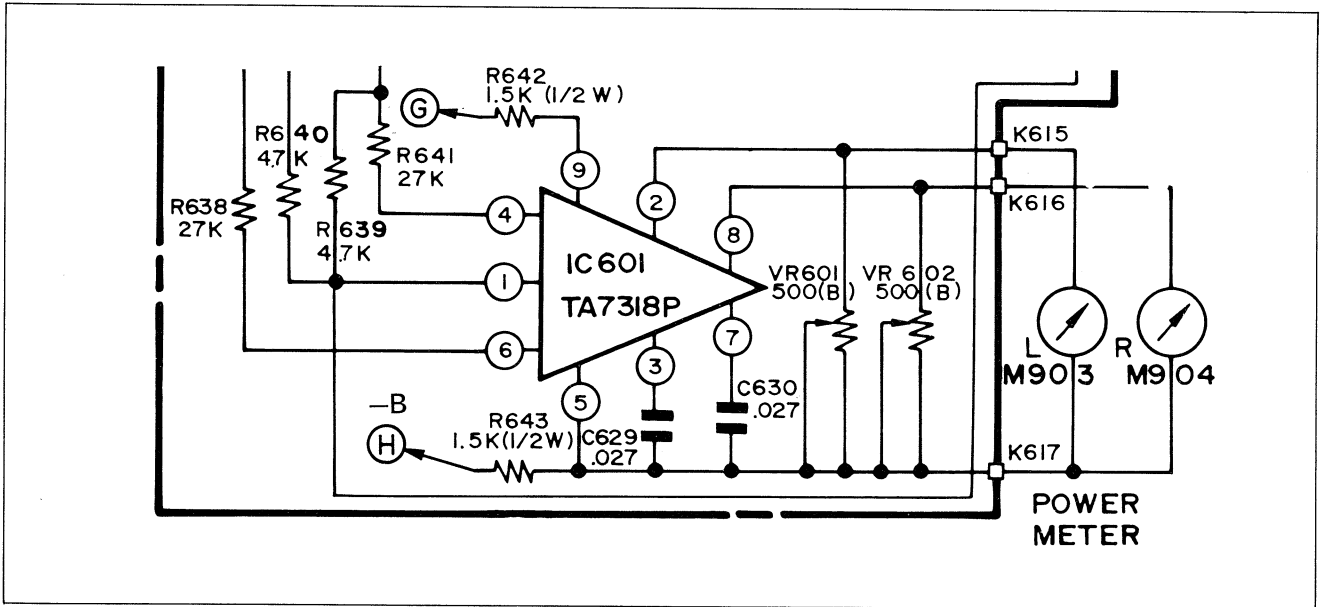


Figure 39 POWER METER DRIVE CIRCUIT

1

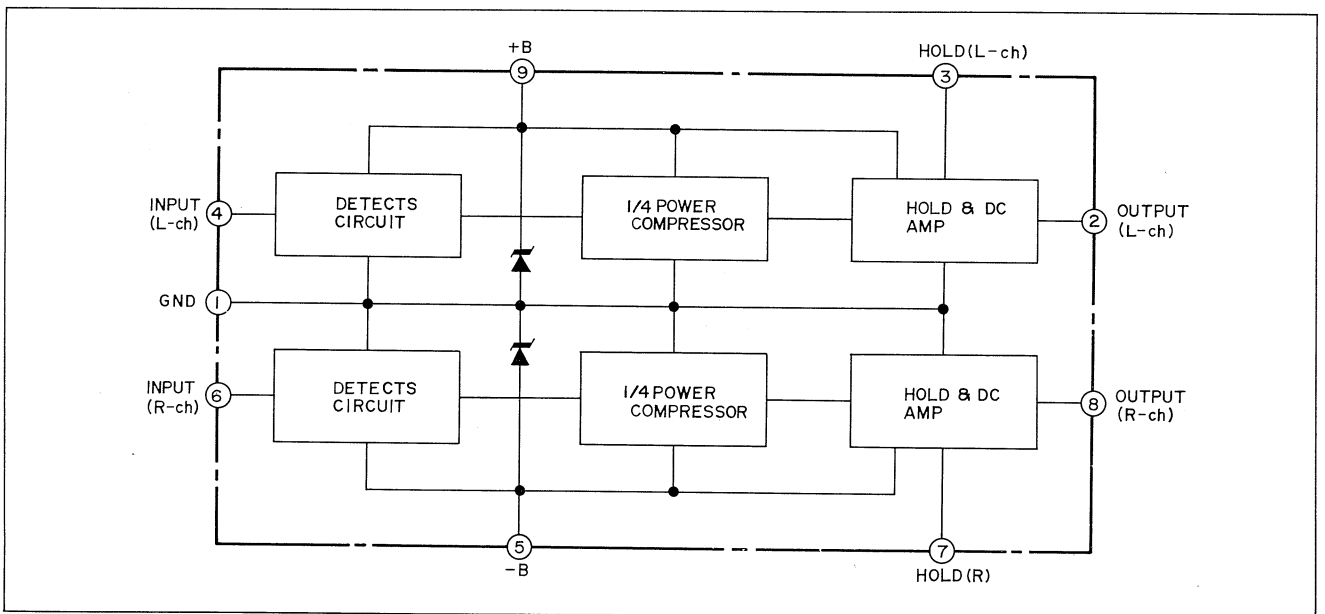


Figure 40 BLOCK DIAGRAM OF IC601

2

## RECORDING OUTPUT CIRCUIT

This output circuit is to function under control of the recording output selector switch and with this provision, it is allowed for you to record a different source from that having been selected by the function selector switch.

For instance, if you want to record in the unit from a record player, even while listening to FM broadcast through

the speaker which has been designated by the function selector switch, change the record output selector switch from "source" to "phono" position. Then sounds from the player will be recorded in the unit, with FM broadcast still coming out of the speaker.

Digitized By RidgeDweller  
For Free Distribution

DO NOT PAY FOR THIS DOCUMENT

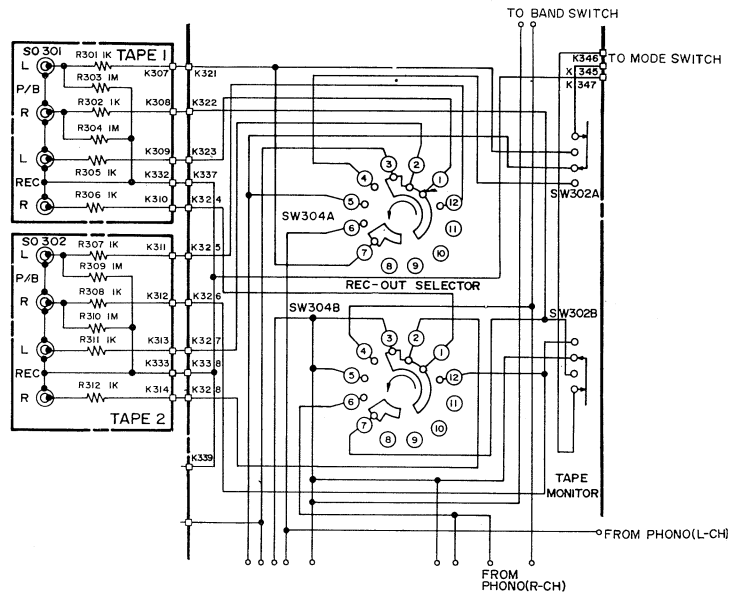


Figure 41-1 RECORDING OUTPUT CIRCUIT

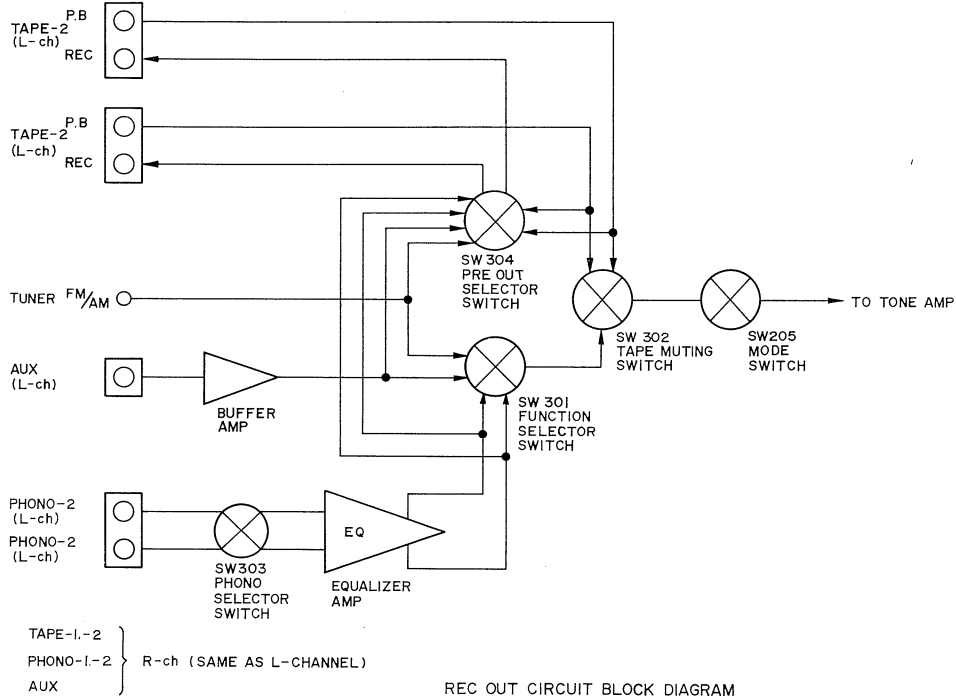


Figure 41-2 RECORDING OUTPUT CIRCUIT BLOCK DIAGRAM

# ALIGNMENT INSTRUCTIONS

Alignment is an exacting procedure and should be undertaken only when necessary. If alignment of AM and FM is required, either section may be done first.

The FM stereo section, however, should be done only if the FM monaural section is properly adjusted.

Digitized By RidgeDweller  
For Free Distribution  
DO NOT PAY FOR THIS DOCUMENT

## REQUIRED EQUIPMENT

1. Signal generator with a frequency range of 450kHz to 1,650kHz; AM
2. Signal generator with a frequency range of 86.1MHz to 109.2MHz; FM
3. Vacuum tube voltmeter (AC-VTVM)
4. Sweep signal generator with a sweep range of at least 500kHz and center frequency of 10.7MHz with at least a 10.7MHz marker may be used. (For FM)
5. Sweep signal generator with a sweep range of at least 50kHz and center frequency of 455kHz with at least a 455kHz marker may be used. (For AM)
6. Oscilloscope with a wide range amplifier of approximately 100kHz.
7. Test loops, a coil of any size wire, one turn or more; AM
8. Vacuum tube voltmeter (DC-VTVM)
9. FM stereo signal generator.
10. Audio signal generator with a frequency range of 20Hz to 100kHz.
11. Frequency counter with a frequency range of approximately 100kHz.

## Notes:

Allow the set at least five minutes to warm up before attempting alignment. During alignment keep the signal generator output at the lowest level that will maintain a usable output from the set.

For the adjustment of stereo separation, the FM stereo generator output is usually 1,000 $\mu$ V. Incorrect grounding to the metal chassis may pick up an unwanted 10.7MHz signal from the final IF stage, which will cause a regenerative sweep response on the sweep curve and result in misalignment.

Therefore always connect a ground to point.

Ground connection of

signal generator:	Chassis ground
Generator modulation (AM):	30%, 400Hz
Generator modulation (FM):	75 kHz, 1,000Hz
Generator modulation (FM stereo):	Ch. L. or Ch. R. 67.5 kHz, 1,000Hz Mod.

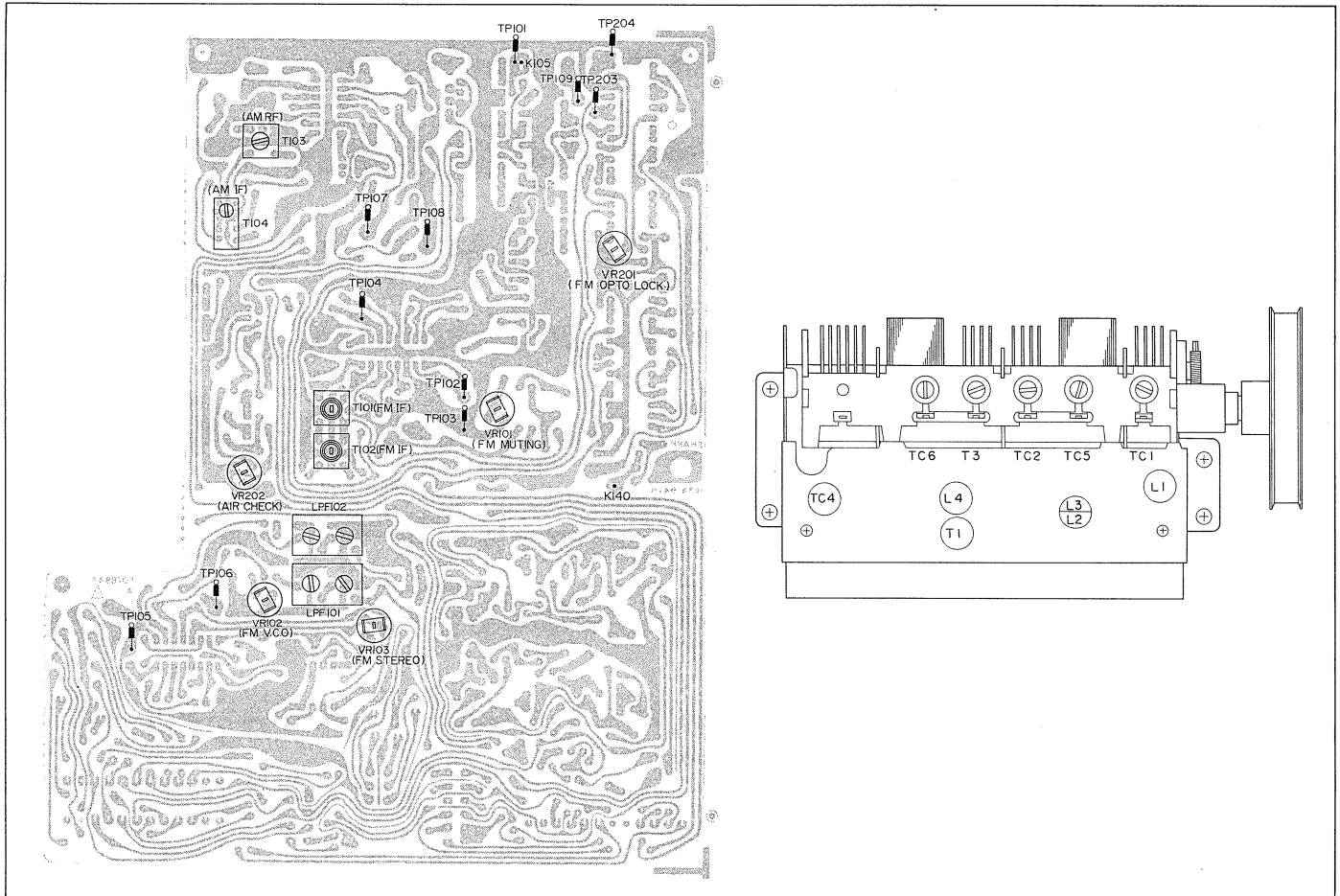


Figure 42 ALIGNMENT POINTS OF RF/IF P.W. BOARD

## AM IF ALIGNMENT

PROCEDURE NUMBER	SWEEP GENERATOR		DIAL POINTER SETTING	SELECTOR SETTING	SCOPE CONNECTION	ADJUSTMENT	REMARKS
	CONNECTION	FREQUENCY					
1	Connect AM sweep generator to the VC5 and it's case(ground). Keep the input be closed as much as possible.	455 kHz (Central frequency of ceramic filter)	High end of Dial	Function selector switch (AM)	Oscilloscope is connected between <span style="border: 1px solid black; padding: 2px;">TP107</span> and <span style="border: 1px solid black; padding: 2px;">TP108</span> (ground)	T104	Maximum response at 455 kHz

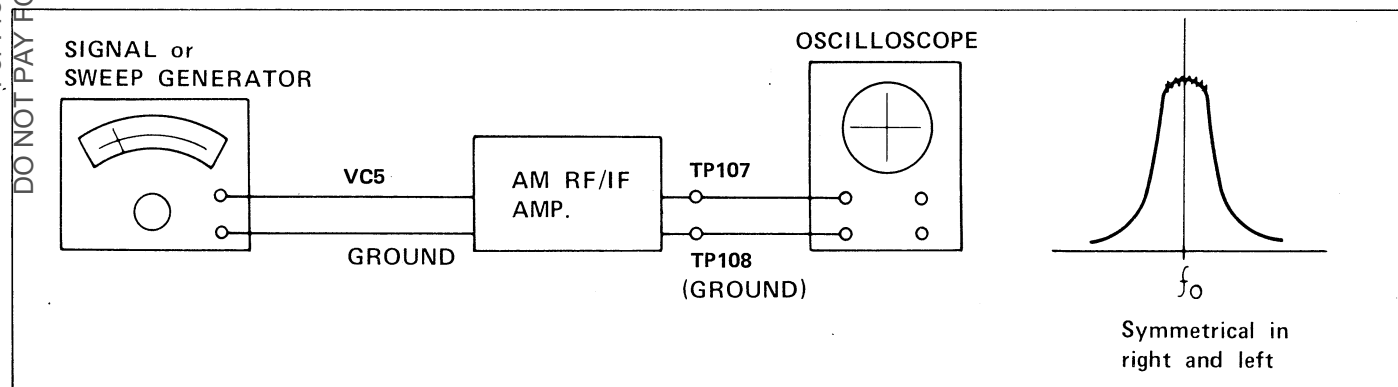


Figure 43 AM IF ALIGNMENT EQUIPMENT CONNECTIONS

## AM RF ALIGNMENT

PROCEDURE NUMBER	TEST STAGE	SIGNAL GENERATOR		DIAL POINTER SETTING	SELECTOR SETTING	SCOPE CONNECTION	ADJUSTMENT	REMARKS
		CONNECTION	FREQUENCY					
1	Band Coverage	Connect AM signal generator to the loop antenna and place this assembly at near the bar antenna coil (L902) (Keep the input be closed as much as possible).	515 kHz Modulated	Low end of Dial	Function selector switch (AM)	Oscilloscope is connected between <span style="border: 1px solid black; padding: 2px;">TP107</span> and <span style="border: 1px solid black; padding: 2px;">TP108</span> (ground)	Oscillator Coil T103	Adjust for maximum output
2		Same as above	1650 kHz Modulated	High end of Dial	Same as above	Same as above	Oscillator Trimmer <span style="border: 1px solid black; padding: 2px;">TC6</span>	Same as above. Repeat steps 1 and 2, 2 or 3 times.
3	Tracking	Same as above	1400 kHz Modulated	Tuning in 1400 kHz	Same as above	Same as step 1	Antenna Trimmer <span style="border: 1px solid black; padding: 2px;">TC5</span>	Same as step 1
4		Same as above	600 kHz Modulated	Tuning in 600 kHz	Same as above	Same as step 1	Antenna Coil <span style="border: 1px solid black; padding: 2px;">L902</span>	Same as above. Repeat steps 3 and 4, 2 or 3 times.

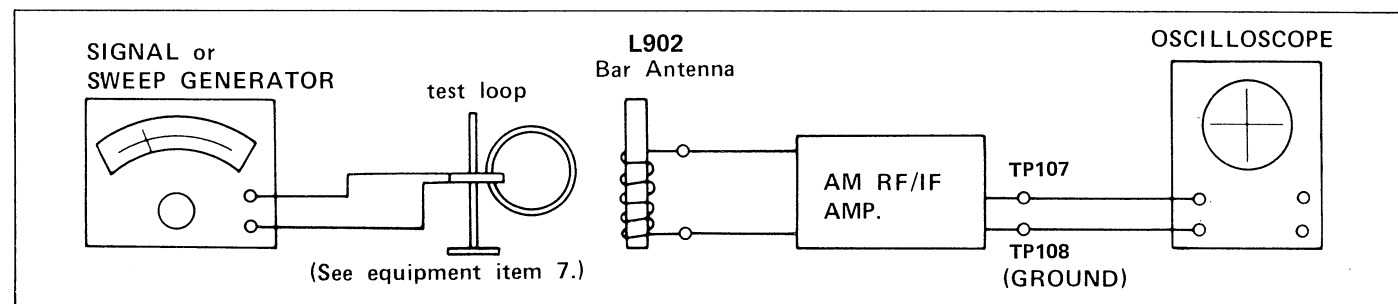


Figure 44 AM RF ALIGNMENT EQUIPMENT CONNECTIONS

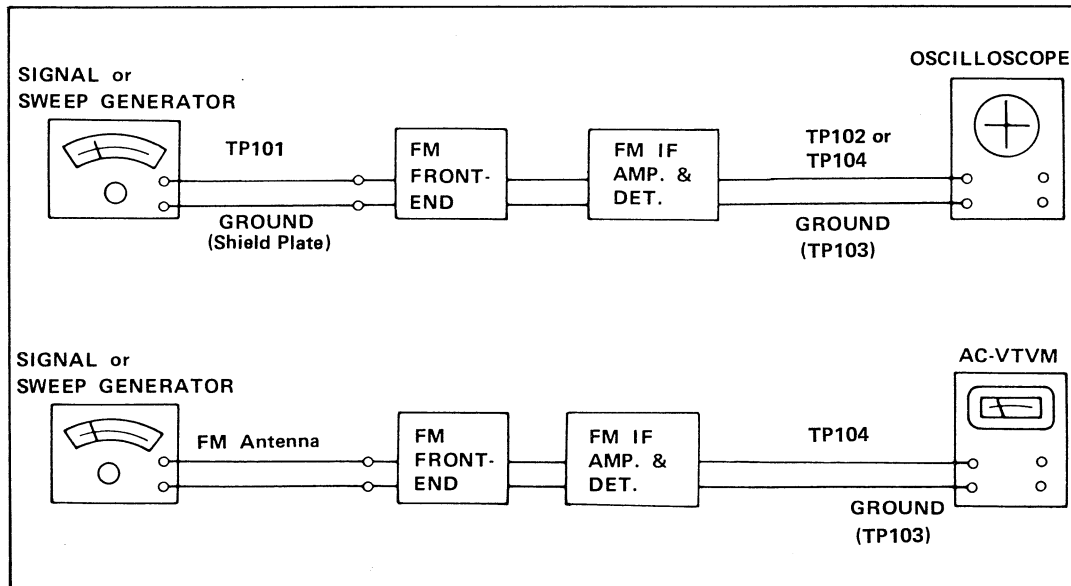
## FM ALIGNMENT

Set the FM Muting switch (SW203) at "OFF" position and MODE switch (SW205A,B) at "mono" position.

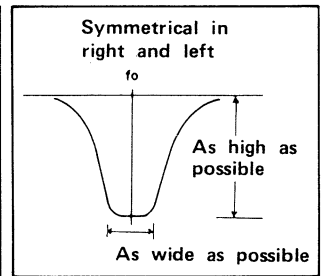
PROCEDURE NUMBER	TEST STAGE	SIGNAL GENERATOR		DIAL POINTER SETTING	SELECTOR SETTING	METER CONNECTION	ADJUSTMENT	REMARKS
		CONNECTION	FREQUENCY					
1	Make the test points TP203 and TP204 be shorted--this results in that the auto-lock circuit doesn't tend to operate.							
2	IF (Note 1)	Connect FM sweep generator, through 6PF capacitor, to the test point TP101. Connect the ground to the shield plate.	Central frequency of ceramic filter (as small as possible)	High end of Dial	Function selector switch (FM)	Connect an oscilloscope to the test points TP102 and TP103 (ground)	T1	Rotate the core of T1 to adjust so that the waveform becomes symmetrical in right and left and attains the maximum in height and width. (Fig. 46)
3	Detector	Connect FM sweep generator, through 6PF capacitor, to the test point TP101. Connect the ground to the shield plate.	Same as above	Same as above	Function selector switch (FM)	Connect an oscilloscope to the test points TP104 and TP103 (ground)	IFT 101, IFT 102	Rotate the core to adjust so that the waveform (Fig. 47) becomes symmetrical in the upper and lower with the best linearity.
4	Repeat the steps 1 and 2 until no further improvement can be made.							
5	Band Coverage	Connect FM signal generator to the FM antenna terminals. (Keep the input be closed as much as possible)	87.0 MHz (Modulated) as small as possible	Low end of Dial	Function selector switch (FM)	Connect VTVM to the test points TP104 and TP103 (ground)	Oscillator Coil L6	Adjust for maximum output
6		Same as above	109 MHz (Modulated) as small as possible	High end of Dial	Same as step 4	Same as above	Oscillator Trimmer TC4.	Same as above
7	Tracking	Same as above	90 MHz (Modulated) as small as possible	Tuning in 90 MHz	Same as step 4	Same as step 4	Antenna Coil L1 and RF Coil L2, L3.	Same as above
8		Same as above	106 MHz (Modulated) as small as possible	Tuning in 106 MHz	Same as step 4	Same as step 4	Antenna Trimmer TC1 and RF Trimmer TC2, TC3.	Same as above
9	Repeat the steps 4 to 7 until no further improvement can be made.							
10	After all of the adjustments, make the test points TP203 and TP204 be disconnected from each other.							

Digitized By RidgeDweller  
For Free Distribution

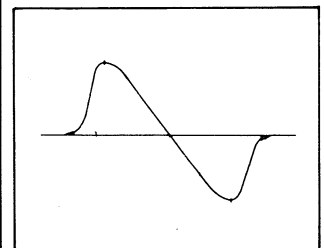
DO NOT PAY FOR THIS DOCUMENT



**Figure 45 FM ALIGNMENT EQUIPMENT CONNECTIONS**



**Figure 46 "IF" CURVE**



**Figure 47 "S" CURVE**

**NOTE** As for FM high-frequency range (front-end section), since it has been already adjusted, do not rotate the coils and trimmers unless the adjustment becomes necessary -- readjust the FM-high frequency only when it suffers a considerable disalignment.

**Note 1**

The ceramic filter used for this set is available in 3 types and each of them is given a color indication to differentiate the central frequency from that of the others, as described below. In the actual use, be sure to make 4 ceramic filters of the same type (the same color) as a pair to put them in the set. When other ceramic filters than that given red color indication (with the central frequency of 10.7MHz) are used, note that with such filters the marker (10.7MHz) of FM sweep generator will be deviated; therefore be sure to cut off the marker at the time of the adjustment.

Central frequency (fo)	B	Blue	10.67MHz $\pm$ 0.03MHz
	A	Red	10.70MHz $\pm$ 0.03MHz
	C	Orange	10.73MHz $\pm$ 0.03MHz

(4 ceramic filters to be used in a set as a pair should be of the same type (the same color).)

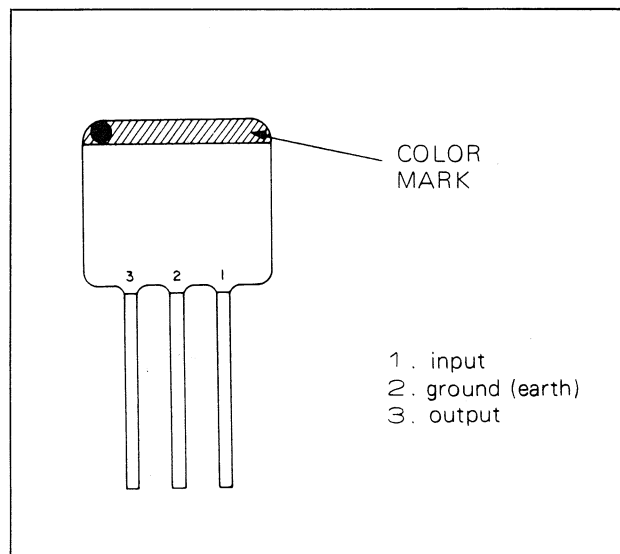


Figure 48

## FM TUNING METER ADJUSTMENT AND DISTORTION FACTOR ADJUSTMENT

- 1) Set the frequency of FM signal generator to 98 MHz (75 kHz deviation, 1000 Hz), fully close the output and connect such signal to the FM antenna terminal of the set through a dummy resistor of 300 ohms.
- 2) Connect a dummy resistor of 8 ohms to the speaker terminal of the set.
- 3) Set the switches and controls of the set to the respective positions shown below and turn on the power switch. [Low cut filter—off, High cut filter—off, Bass, Treble and Balance controls—center (zero), Mode—mono, Loudness—off, Volume control—min., Tape-1 and-2—source, Function selector—FM, FM muting—off, air check—off]
- 4) Keeping the output of FM signal generator be fully closed (that is, with no signal given), rotate the core of T101 to have the pointer of the tuning meter indicate the center (around "98 MHz" position).
- 5) Adjust the output of FM signal generator to 60 dB, make the set be tuned to this signal so that the tuning meter indicates its center and under the condition, adjust the core of T102 so that the distortion will be minimized.
- 6) Fully close the output of FM signal generator and make sure the pointer of the tuning meter is at the center.
- 7) Repeat the steps 1) to 6) until the best point will be found.

## ADJUSTMENT OF AIR CHECK CAL.

Produce 98 MHz, 60 dB FM mono signal (modulation 100%, 400 Hz) by a signal generator to apply it to the antenna of the unit and read the output voltage.

Next, set AIR CHECK switch to "ON" position, then the

output voltage will vary. Adjust semi-fixed resistor VR202 so that the output voltage with AIR CHECK switch set to "ON" becomes about 60% (-4.4 dB), of that with AIR CHECK switch kept at "OFF".

## FM OPTO LOCK/MUTING ADJUSTMENT

1. Keeping the band selector switch (SW205) to 'FM mono' position, connect a 300ohm dummy resistor and FM signal generator to the FM antenna terminal (300ohms).
2. Make the test points TP203 and TP109 be shorted -- this results in that the opto lock circuit won't operate.
3. Make the output of FM signal generator be 98MHz and 1000Hz [75kHz deviation, 60dB (1mV)] and let the set be tuned in such signal with the tuning meter's pointer being at the center.
4. Under this condition, have the test points TP203 and TP109 be disconnected from each other.
5. Rotate the semi-fixed resistor VR201 so as to get the opto-lock circuit be locked.
- locked, the light emitting diode (D207) of the locked indicator lights up.]
6. Despite the above, if the locked indicator is found to blink repeatedly, rotate the semi-fixed resistor VR201 until it will be able to light up completely. At the time, see that the tuning meter's pointer is coming to the center.
7. Make the output of FM signal generator be 20dB and keeping the muting switch to 'muting on', rotate the semi-fixed resistor VR101 to adjust so that the signal can undergo the muting with the output of FM signal generator being set to 20dB.
8. After the adjustments, have the test points TP203 and TP109 be disconnected from each other.

## FM STEREO V.C.O. AND SEPARATION ADJUSTMENT

Digitized By RidgeDweller

For Free Distribution

DO NOT PAY FOR THIS DOCUMENT

- 1) Connect FM signal generator, through a dummy resistor of 300 ohms, to the FM antenna terminal of the set.
- 2) As to setting of the switches and controls, take the same procedures as in the step 3 "FM TUNING METER ADJUSTMENT AND DISTORTION FACTOR ADJUSTMENT".
- 3) Set the frequency of FM signal generator to 98 MHz (75 kHz deviation, 1000 Hz) and the output to 60 dB (mono signal), place the mode switch of the set to the position "stereo" and let the set be exactly tuned to such signal. (FM muting switch is kept to the position "muting off".)
- 4) Connect VTVM, to the test point **TP106, TP105** and a frequency counter to the output terminal of VTVM. Make the test points **TP104** and **TP108** (ground) of the set be connected (shorted). Rotate the semi-fixed resistor VR102 to adjust so that the frequency counter will read  $76.00 \text{ kHz} \pm 200 \text{ Hz}$ . (After the adjustment; reset the connection between the test points **TP104** and **TP108**).
- 5) Connect FM stereo modulator to FM signal generator. At the time, the following should be set: modulation fre-

quency; 1 kHz (L + R; 33.75 kHz, L - R; 33.75 kHz, pilot (19 kHz); 7.5 kHz deviation).

- 6) Set the frequency of FM signal generator to 98 MHz and its output to 60 dB, tune the set in such signal so that the tuning meter will indicate the position "center". Set the modulator so as to cause modulation only in L-channel and consider the output of L-channel as 0 dB. Connect VTVM to the output terminal (R-channel side only) of the set and adjust semi-fixed resistor VR103 so that the separation becomes maximum (the output leaking to the opposite channel is minimized.)

Take the above procedures also for checking the separation of R-channel, then, adjust so that the separations of both channels will be equal to each other.

[If without the frequency counter, proceed with the alignment as follows. While receiving a FM stereo signal, turn the VR101 until the P.L.L. will be locked (when it is locked, the stereo indicator will be lit). Then, reversely turn the VR101 halfway and fix it.]

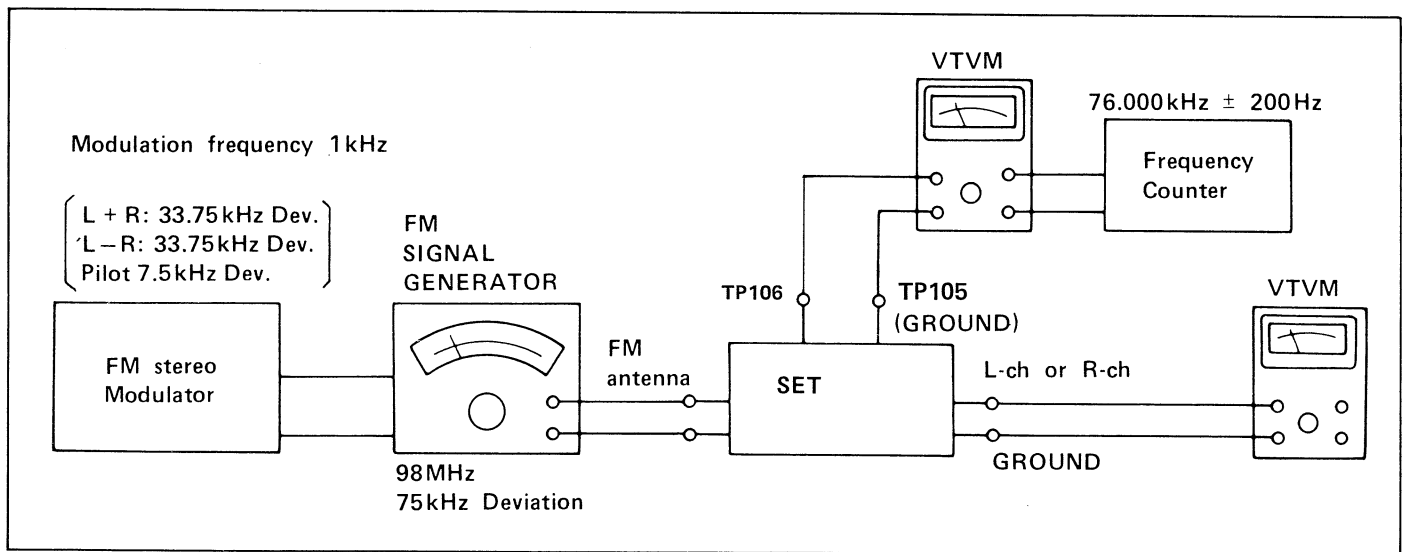


Figure 49 FM STEREO ALIGNMENT EQUIPMENT CONNECTIONS

## ADJUSTMENT OF MAIN AMP CIRCUIT

(See Figure 50 and 52)

1. Check the power supply voltage.
2. Set the power switch SW901 to "ON" position.
3. Set the volume control to "0" position.
4. By using a signal generator (1kHz, 300mV), apply signals to the socket AUX located at the rear of the set and adjust the volume control and balance control so that the output

signal of the speaker terminal becomes  $1W = 2.8V$ .

(See Figure 50).

5. Adjust VR601 (and/or VR602) so that the left channel output meter (and/or the right channel output meter) will indicate 1W.

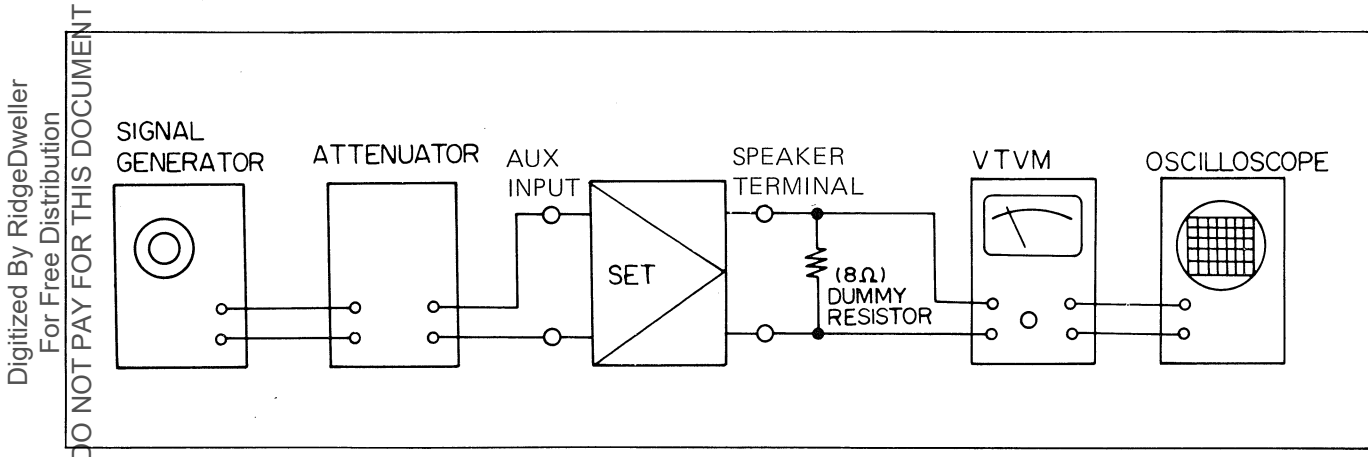


Figure 50

## AF ALIGNMENT (See Figure 51)

- 1) Set the volume control to the position "minimum" and other switches to the position "normal".
- 2) Rotate the semi-fixed resistors VR501 and VR502 fully counterclockwise.
- 3) Turn on the power switch of the set.
- 4) Use DC VTVM to make sure that the voltage between K503 and K511 (ground) and that between K504 and K512 (ground) are within the range of  $\pm 30mV$ .

PROCEDURE NUMBER	ALIGNMENT	METER	OUTPUT INDICATOR	SETTING	ADJUSTMENT	REMARKS
1	Idle Current	DC V.T.V.M.	DC V.T.V.M. is connected between TP501 (TP502) and TP503 (TP504)	Volume is minimum position. Other knobs are normal position	VR501 (VR502)	10mV

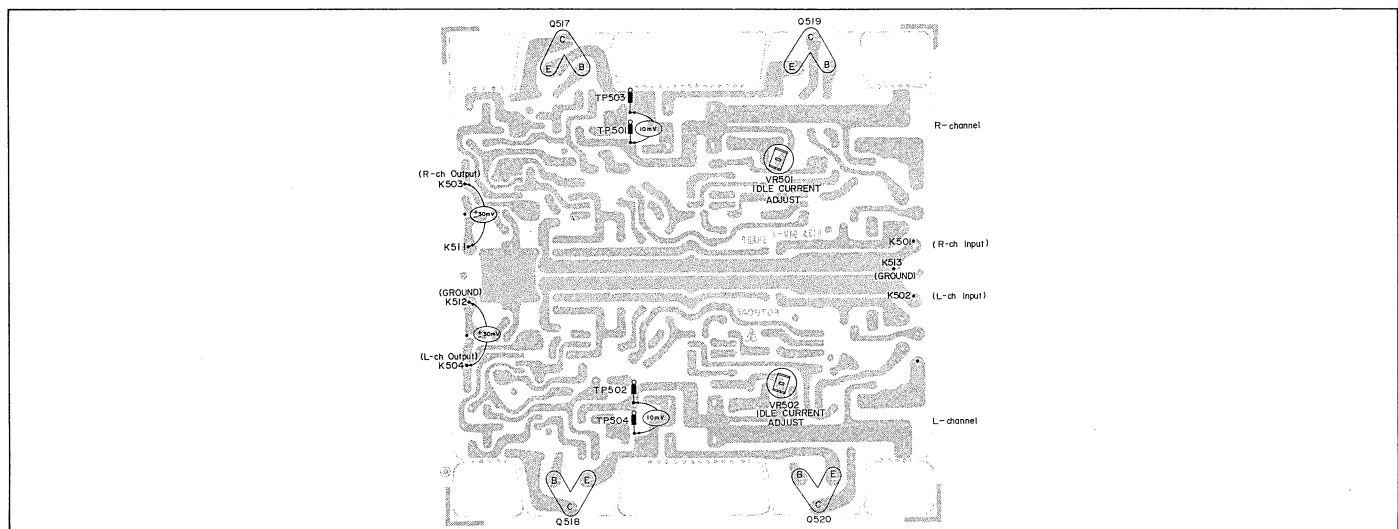


Figure 51 ALIGNMENT POINTS

DO NOT PAY FOR THIS DOCUMENT

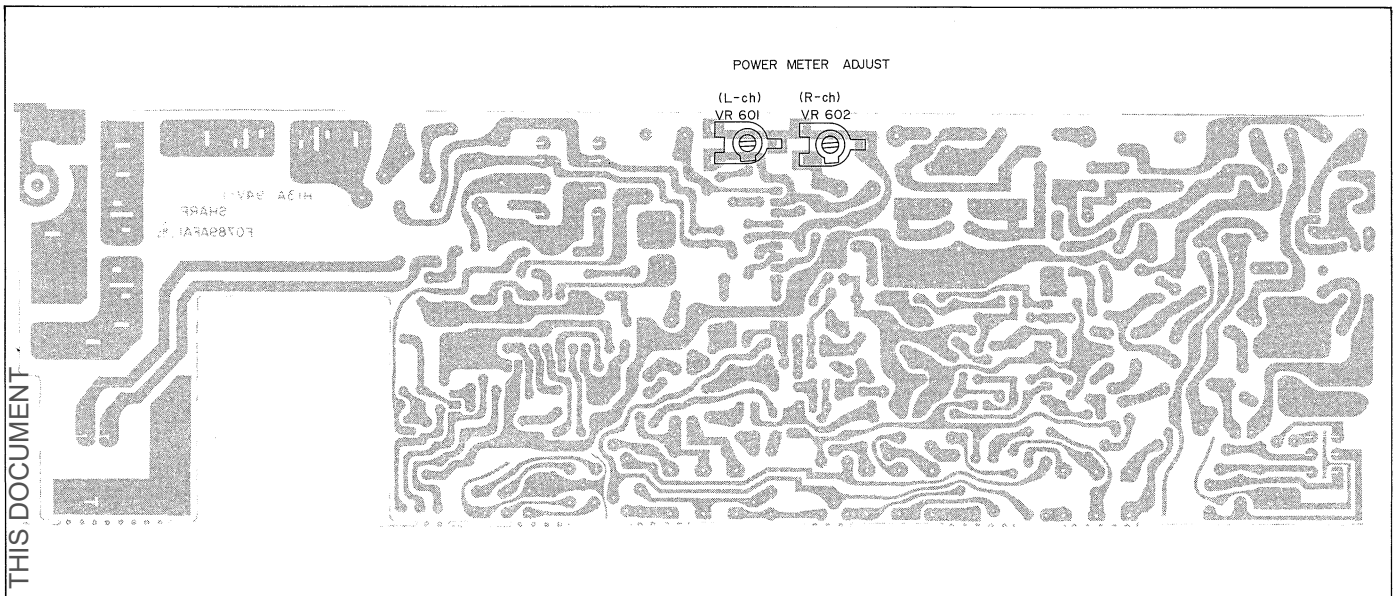


Figure 52 ALIGNMENT POINTS

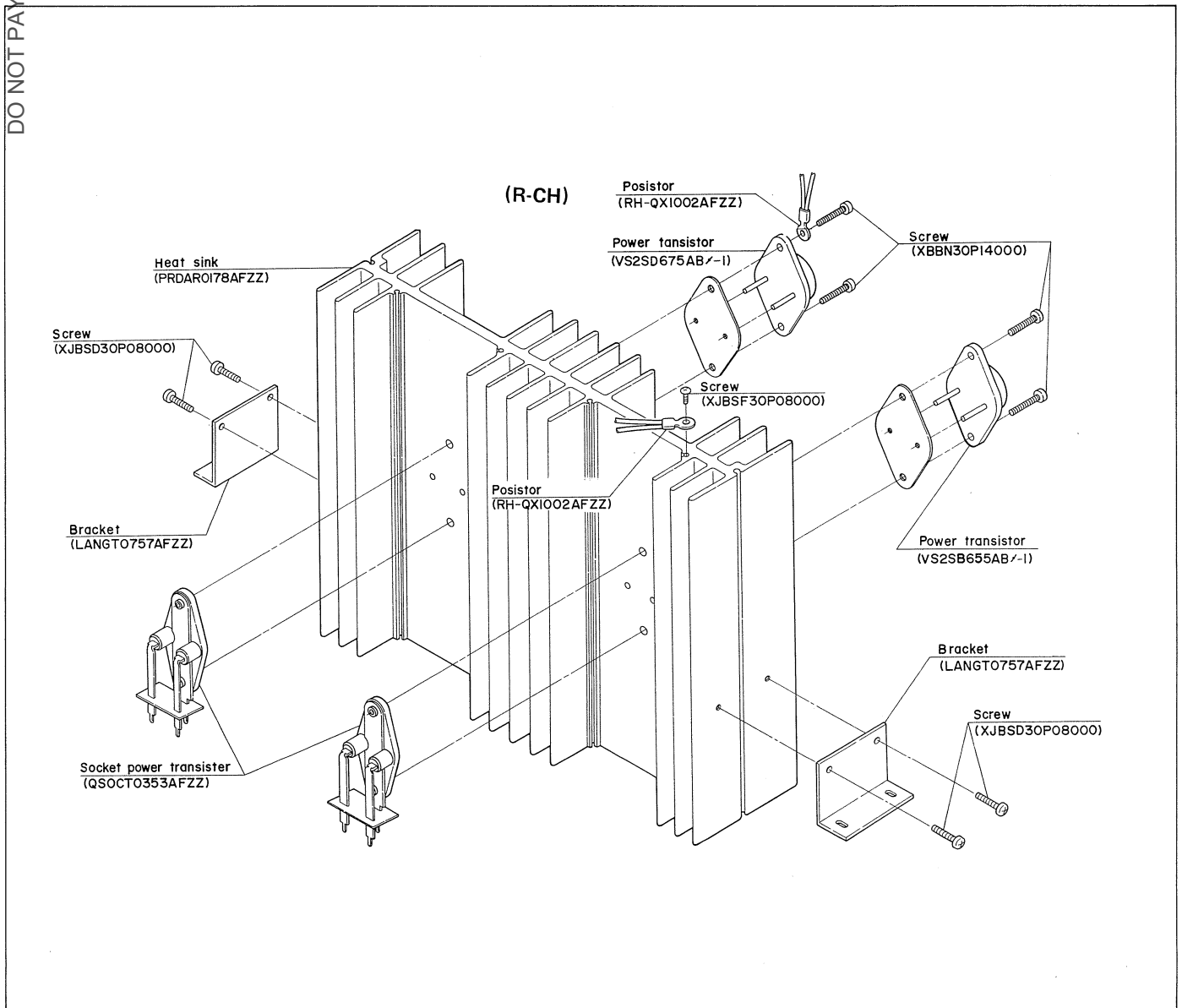


Figure 53 POWER TRANSISTORS REPLACEMENT

DO NOT PAY FOR THIS DOCUMENT

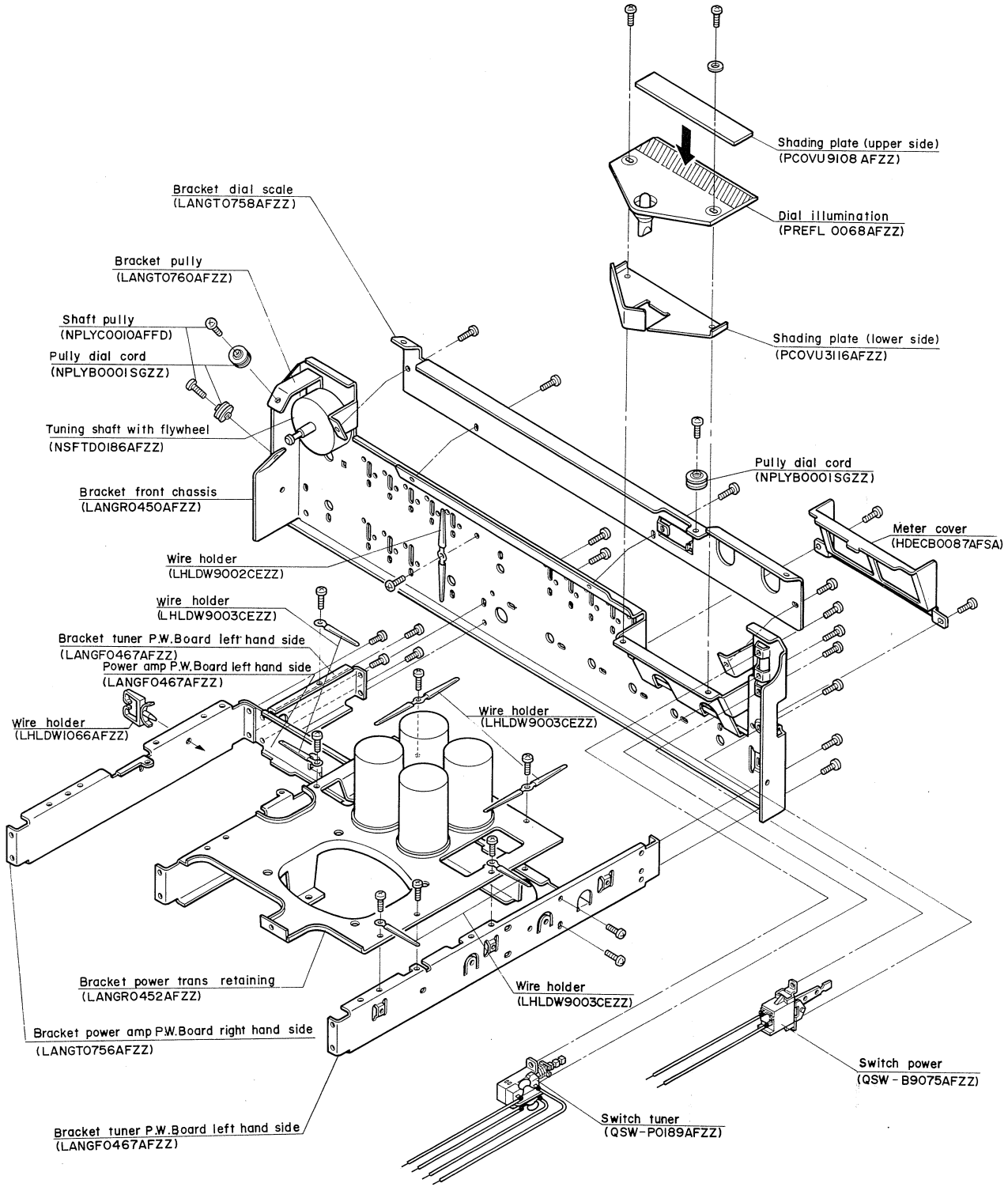


Figure 54 MISCELLANEOUS PARTS GUIDE

DO NOT PAY FOR THIS DOCUMENT

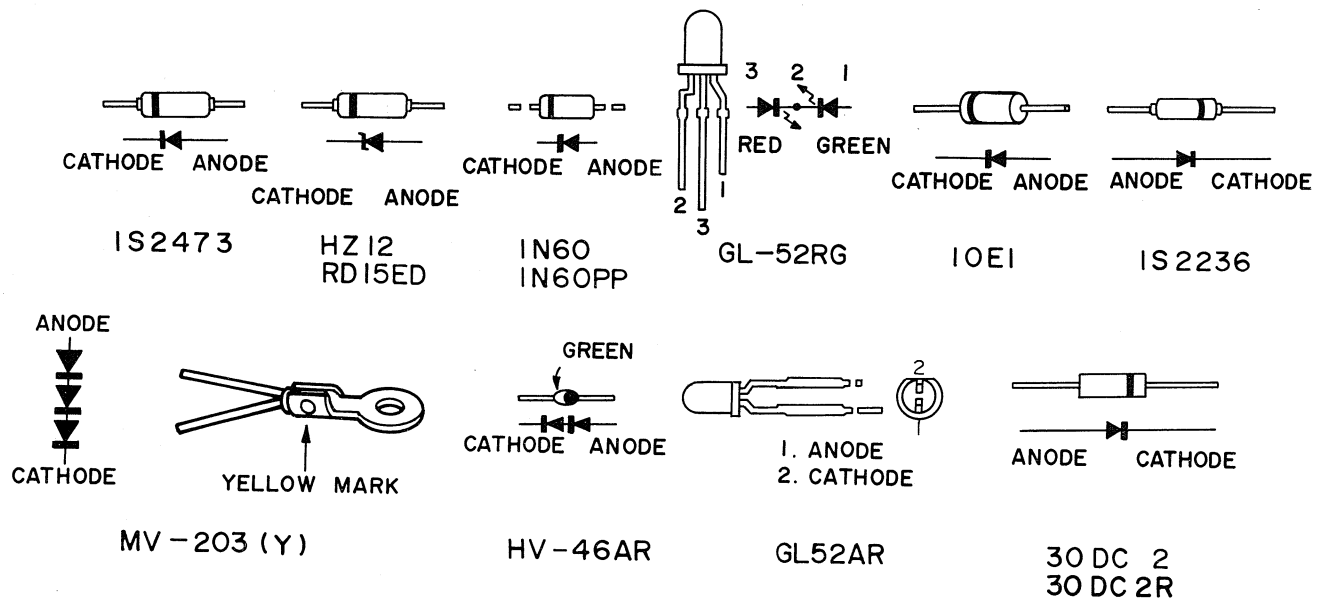


Figure 55 DIODE TYPES

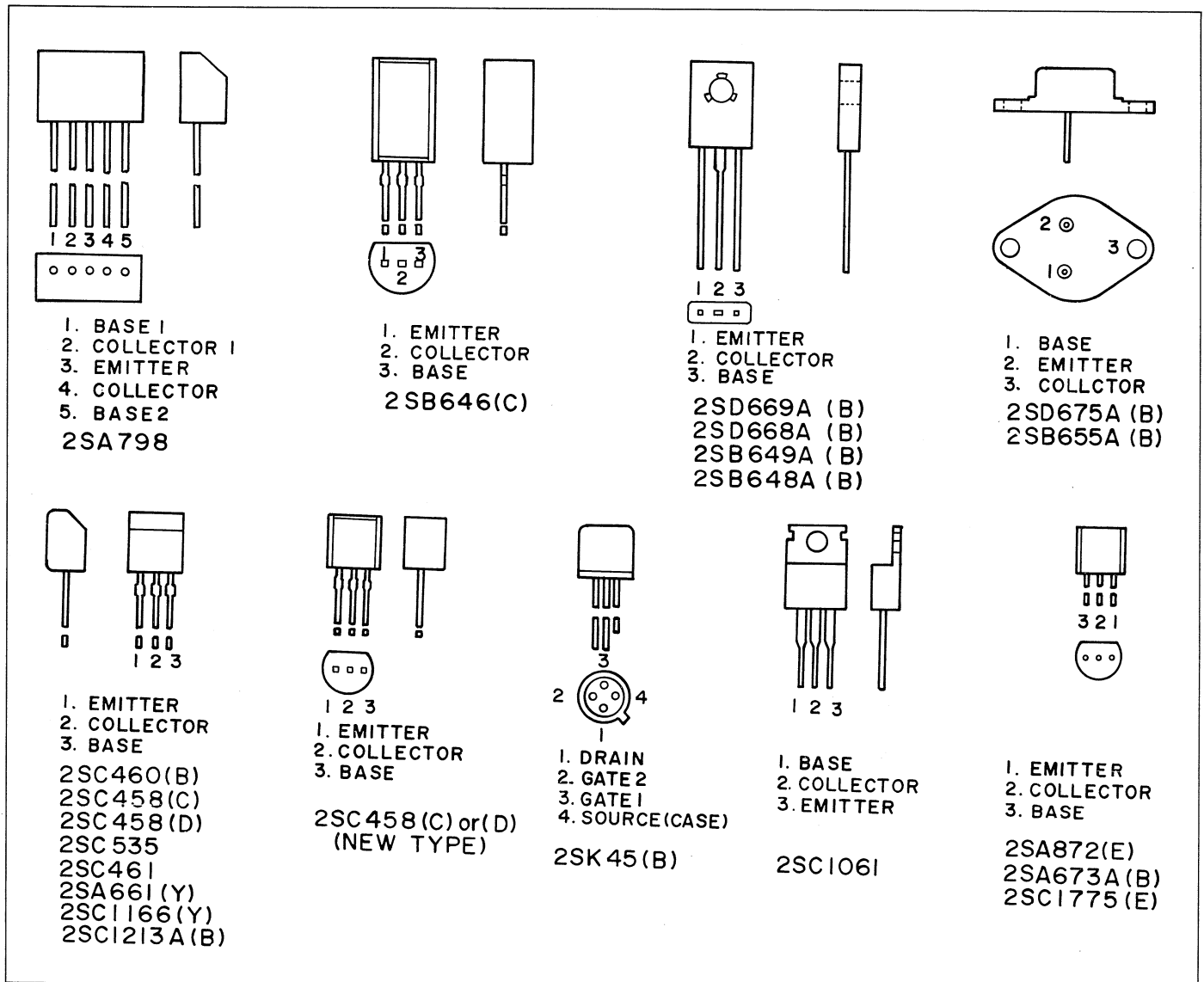


Figure 56 TRANSISTOR TYPES

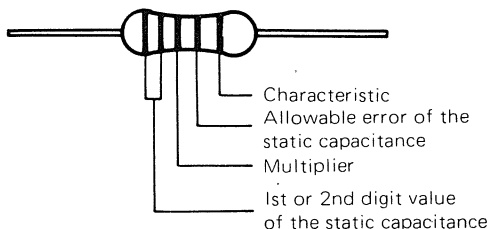
## NOTES ON SCHEMATIC DIAGRAM

Digitized By RidgeDweller  
For Free Distribution  
DO NOT PAY FOR THIS DOCUMENT

1. Frequency range: FM: 87.6 to 108 MHz  
AM: 520 to 1620kHz
2. IF: FM: 10.7 MHz, AM 455kHz
3. Resistor: To differentiate the units of resistors, such symbols as K and M are used: the symbol K means  $1000\Omega$  and the symbol M means  $1000K\Omega$  and the resistor without any symbol is  $\Omega$ -type resistor. Besides, the one with "Fusible" is a fuse type.
4. Capacitor: To indicate the unit of capacitor, a symbol P is used; this symbol P means pF and the unit of the capacitor without such symbol is  $\mu F$ . As to electrolytic capacitor, the expression "capacitance/withstand voltage" is used. The symbols LL and LR for the electrolytic capacitor respectively mean low-leak type.
5. SW201: It is Band selector (FM/AM) switch ("FM" position).
6. SW202: It is Air check (off/on) switch ("off" position).
7. SW203: It is FM muting (on/off) switch (on position).
8. SW204: It is Hi-blend (off/on) switch.
9. SW205: It is Mode selector (stereo/mono) switch ("stereo position").
10. SW301: It is Function selector (Aux/turner/phono) switch ("AUX" position).
11. SW302: It is Tape monitor (tape1/source/tape 2) switch ("source" position).
12. SW303: It is Phono input selector (pono1/pono2) switch ("phono1" position).
13. SW304: It is Rec out selector (Aux/tuner source/phono/tape1→tape2/tape2→tape 1) switch ("AUX" position).
14. SW401: It is Muting (on/off) switch ("off" position).
15. SW402: It is Loudness (off/on) switch ("off" position).
16. SW403: It is Low cut filter (off/on) switch ("off" position).
17. SW404: It is High cut filter (off/on) switch ("off" position).
18. SW901: It is Power (on/off) switch ("off" position).
19. SW902: It is Tuner (on/off) switch ("on" position).
20. SW903: It is Speaker selector (A+B—B—OFF—A—C—A+C) switch ("A+B" position).
21. The indicated voltage in each section is the one measured by VTVM between such a section and the chassis with no signal being given.
22. Specifications or wiring diagrams of this model are subject to change for the improvement without prior notice.

### ■ Identification of Capacitors

As for the capacitors used in this set, they can be identified by the color indication on them concerning the nominal static capacitance, allowable error and characteristic.



### ■ Unit

The values of static capacitance shown in the above table are of the unit pF (picofarad = micro-microfarad).

### ■ The rated voltage of a capacitor can be seen from its ground color.

Pink: . . . . . 25 V  
Yellowish-green: . . . . . 50 V

Color difference	1st or 2nd digit value of the static capacitance	Multiplier	Allowable error of the static capacitance	Characteristic (*)
Black	0	$10^0$	$\pm 20\%$ (M)	CH
Brown	1	$10^1$		LH
Red	2	$10^2$		D
Orange	3	$10^3$	$\pm 0.25\text{pF}$ (C)	PH
Yellow	4	$10^4$		RH
Green	5	—	$\pm 0.5\text{pF}$ (D)	SH
Blue	6	—		TH
Violet	7	—		UJ
Gray	8	—	$\pm 30\%$ (N)	X
White	9	—		SL
Gold	—	$10^{-1}$	$\pm 5\%$ (J)	
Silver	—	$10^{-2}$	$\pm 10\%$ (K)	B

(\*) JIS listed

Figure 57

DO NOT PAY FOR THIS DOCUMENT

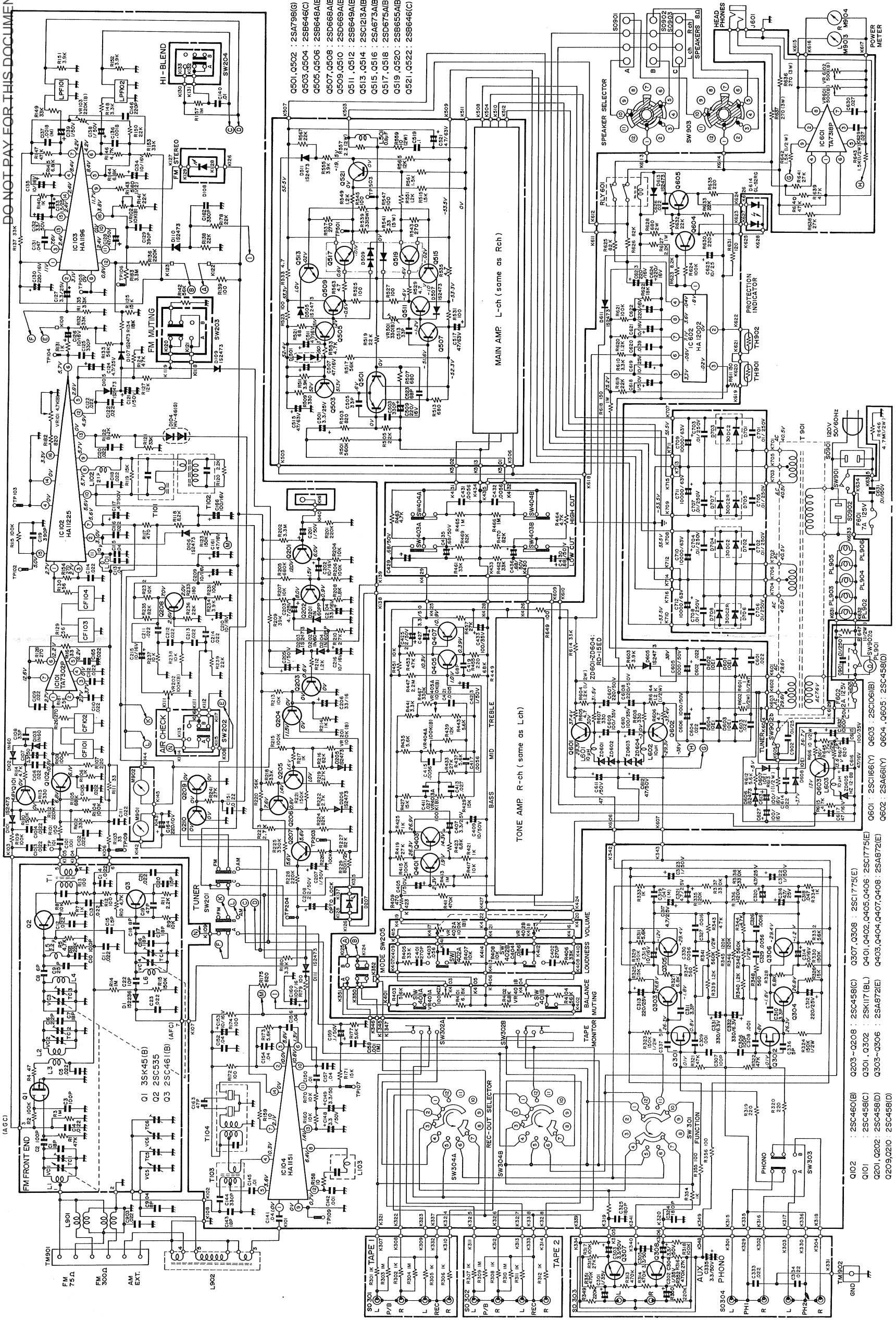


Figure 58 SCHEMATIC DIAGRAM

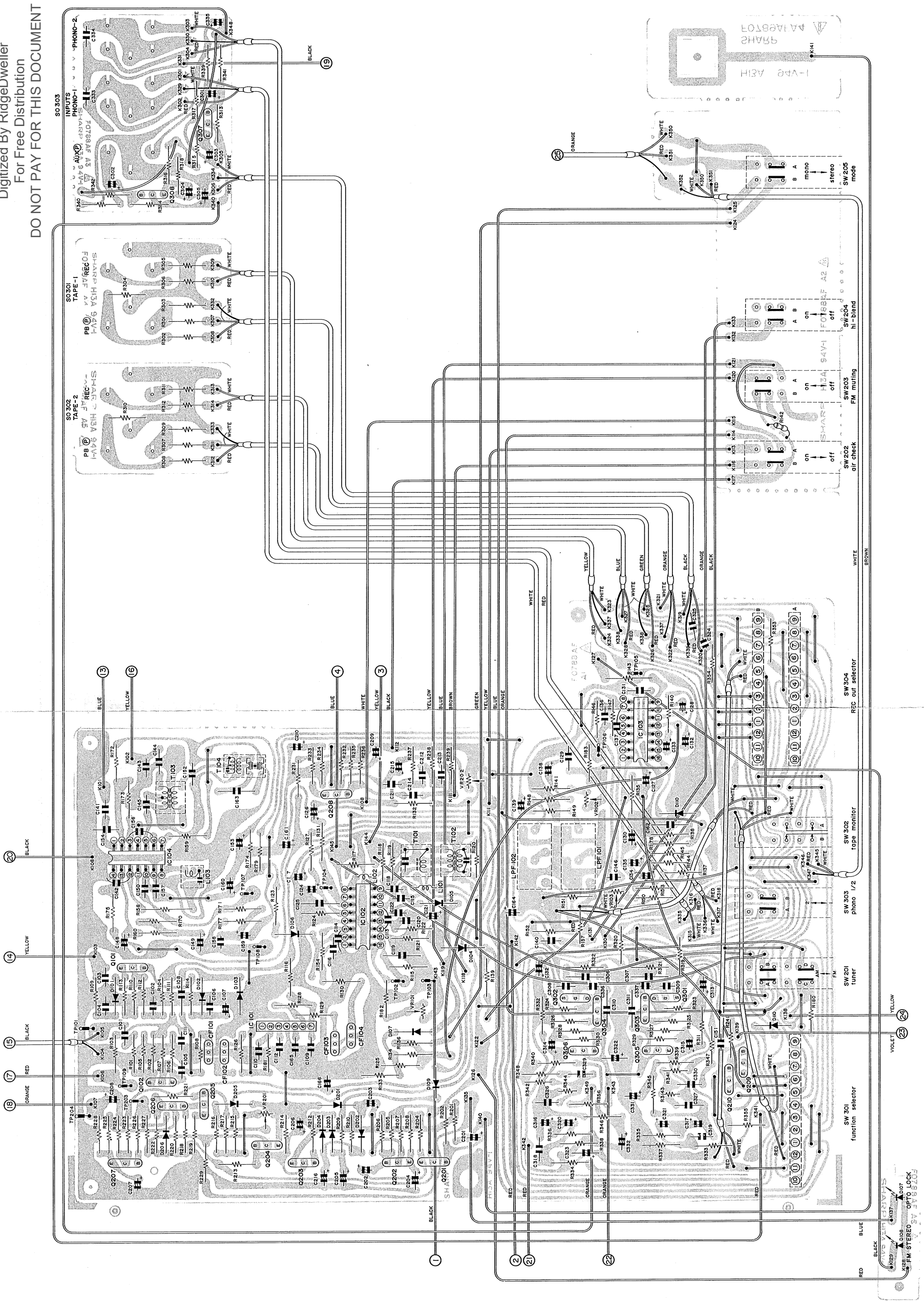
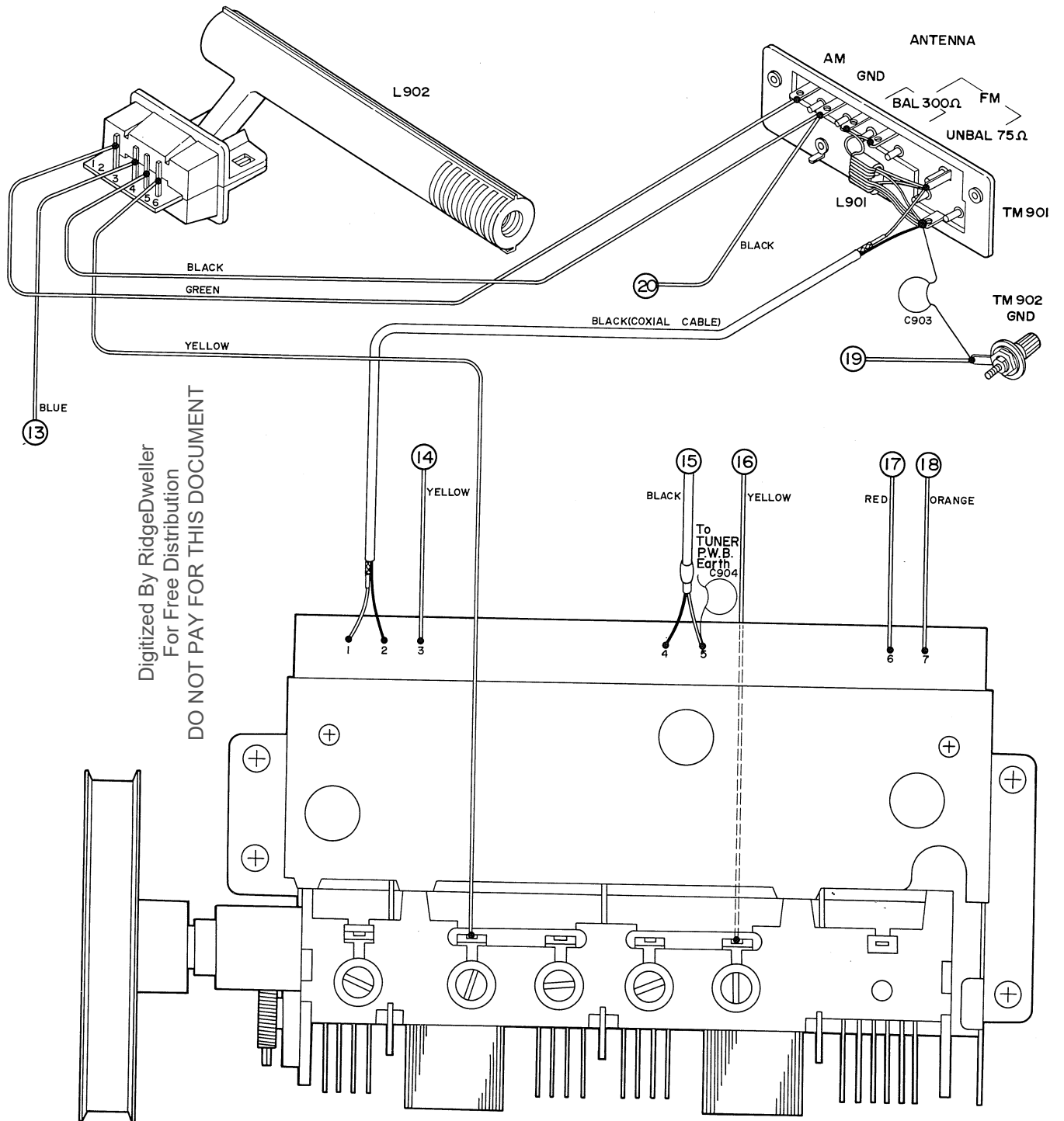
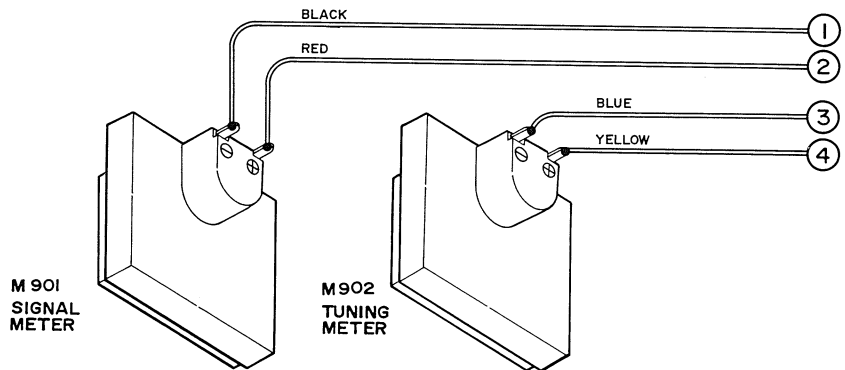
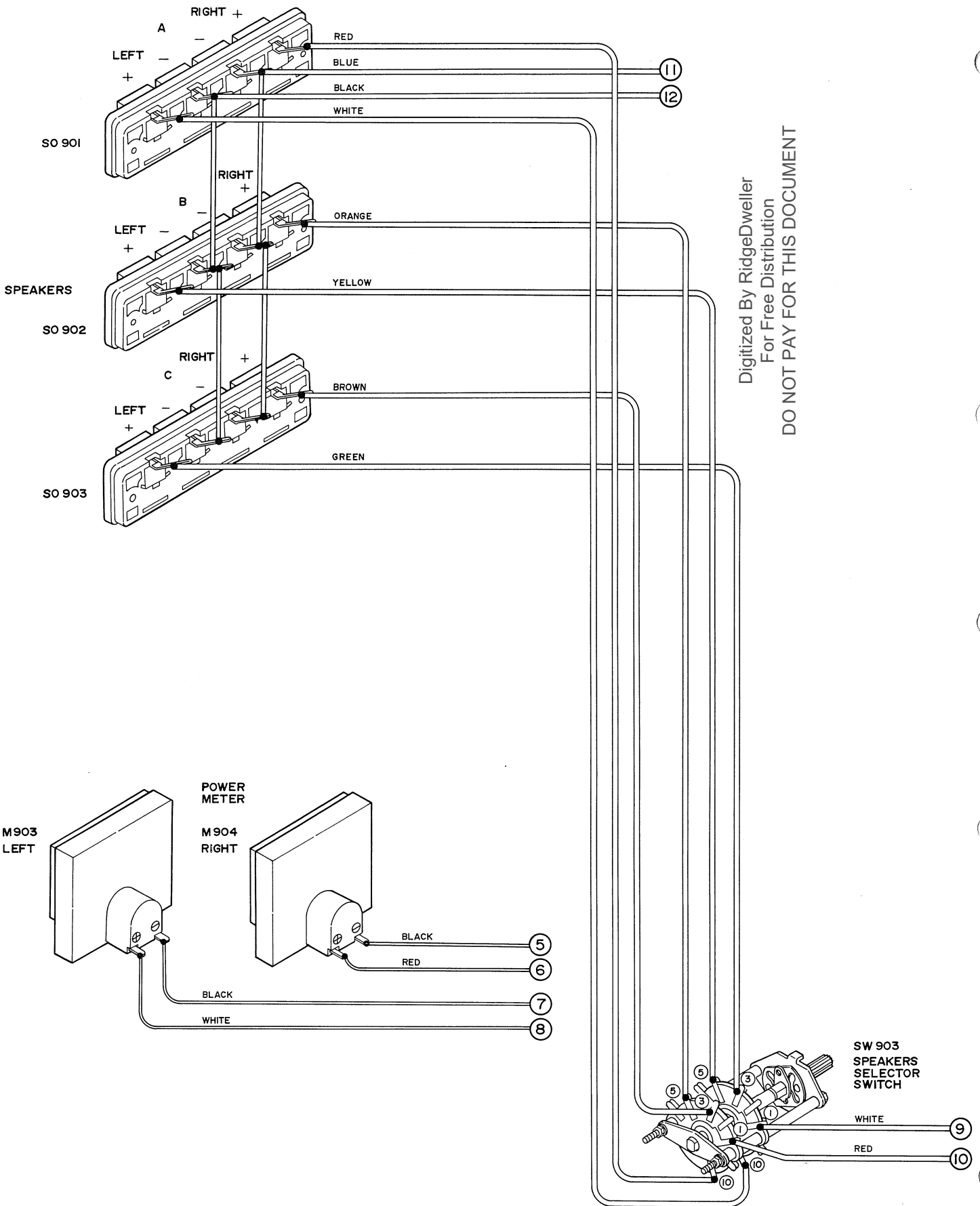


Figure 59 WIRING SIDE OF TUNER/EO AMP CIRCUIT BOARD



Digitized By RidgeDweller  
 For Free Distribution  
 DO NOT PAY FOR THIS DOCUMENT





Digitized By RidgeDweller  
For Free Distribution  
DO NOT PAY FOR THIS DOCUMENT

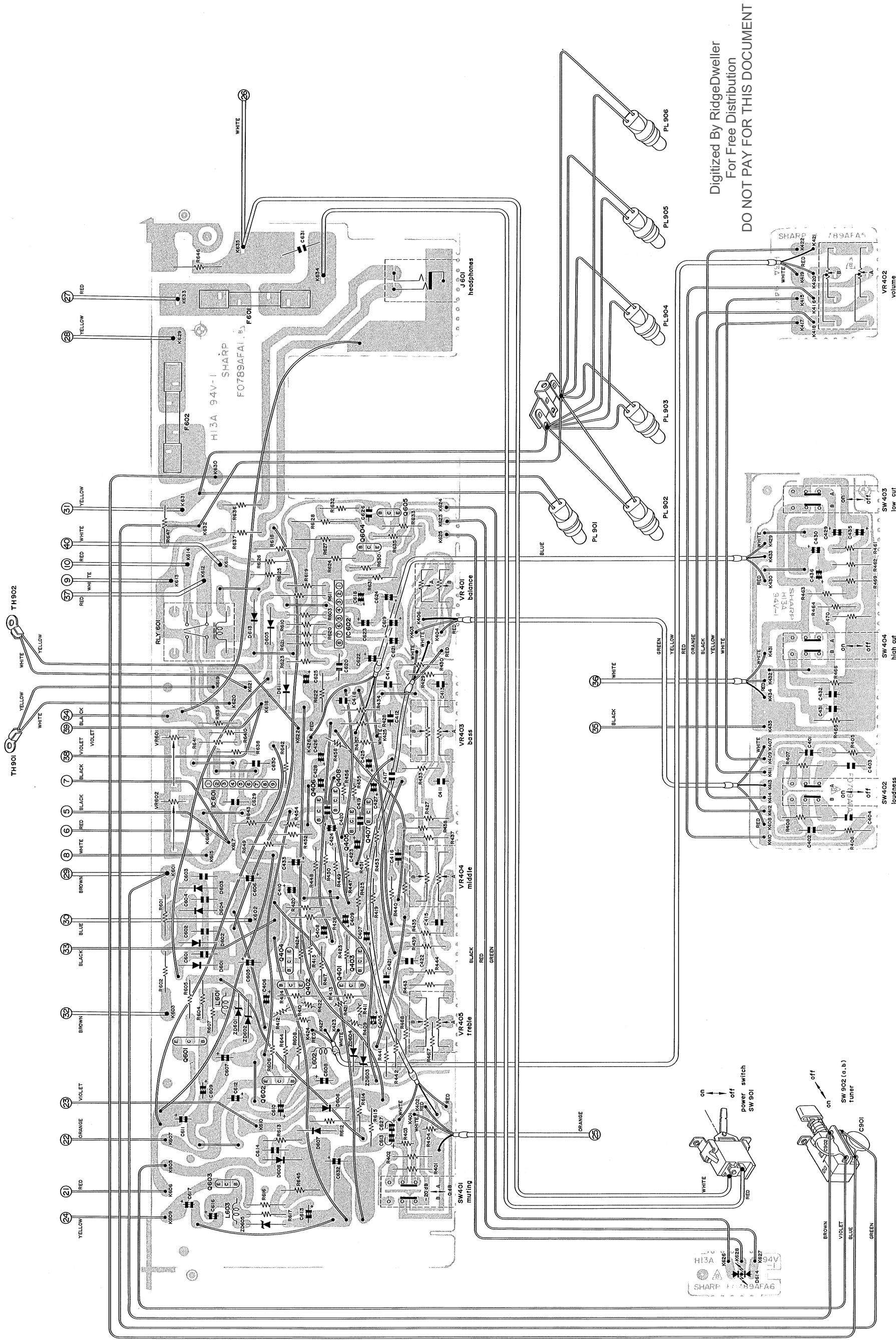
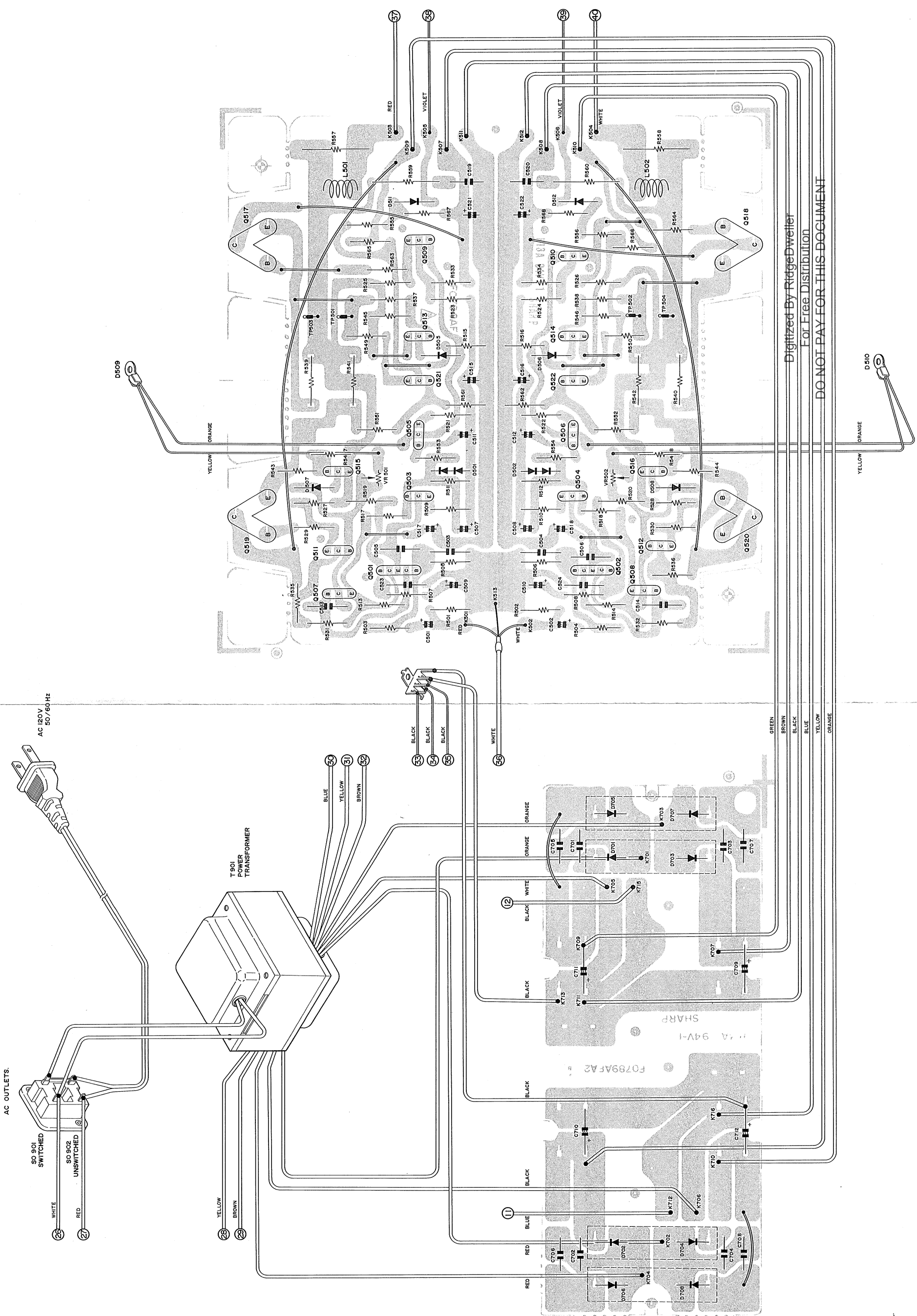
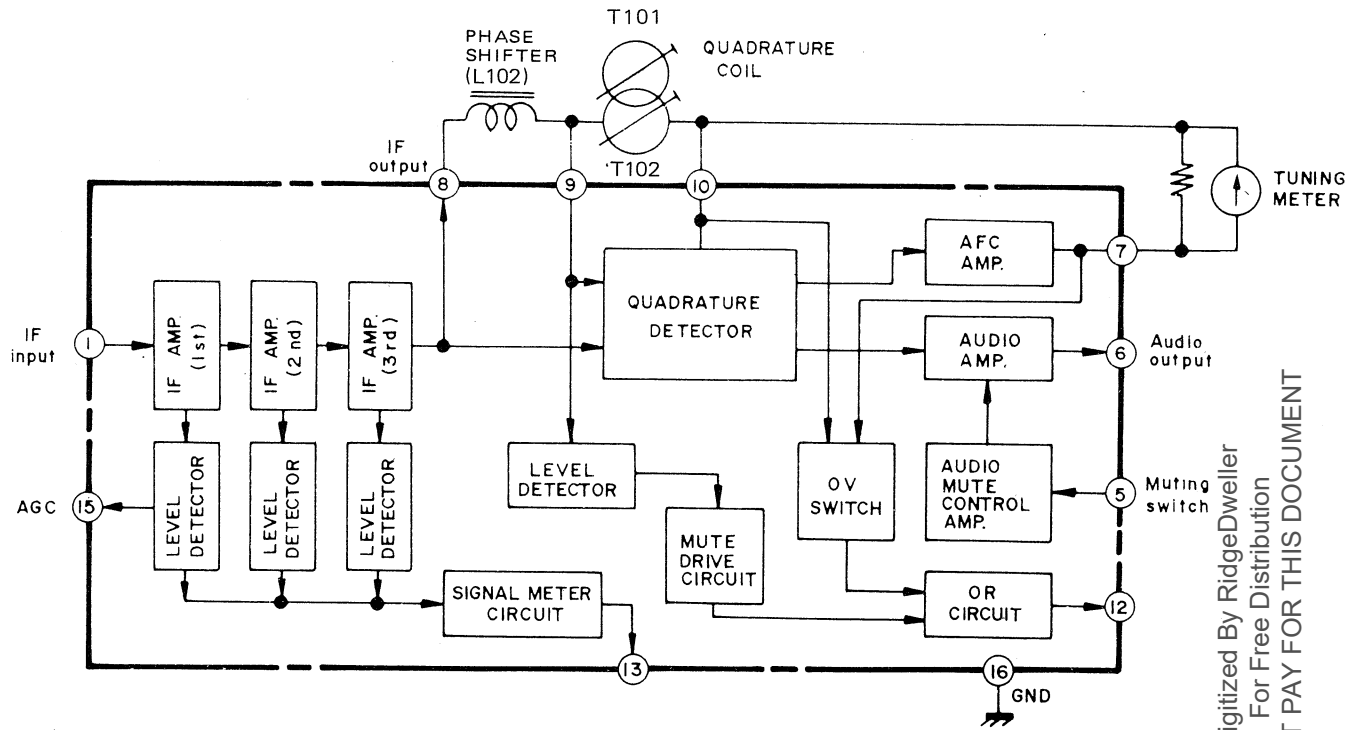


Figure 60 WIRING SIDE OF P. W. BOARD



Digitized By RidgeDweller  
For Free Distribution  
DO NOT PAY FOR THIS DOCUMENT

Figure 61 WIRING SIDE OF MAIN AMPLIFIER CIRCUIT BOARD



Digitized By RidgeDweller  
For Free Distribution  
DO NOT PAY FOR THIS DOCUMENT

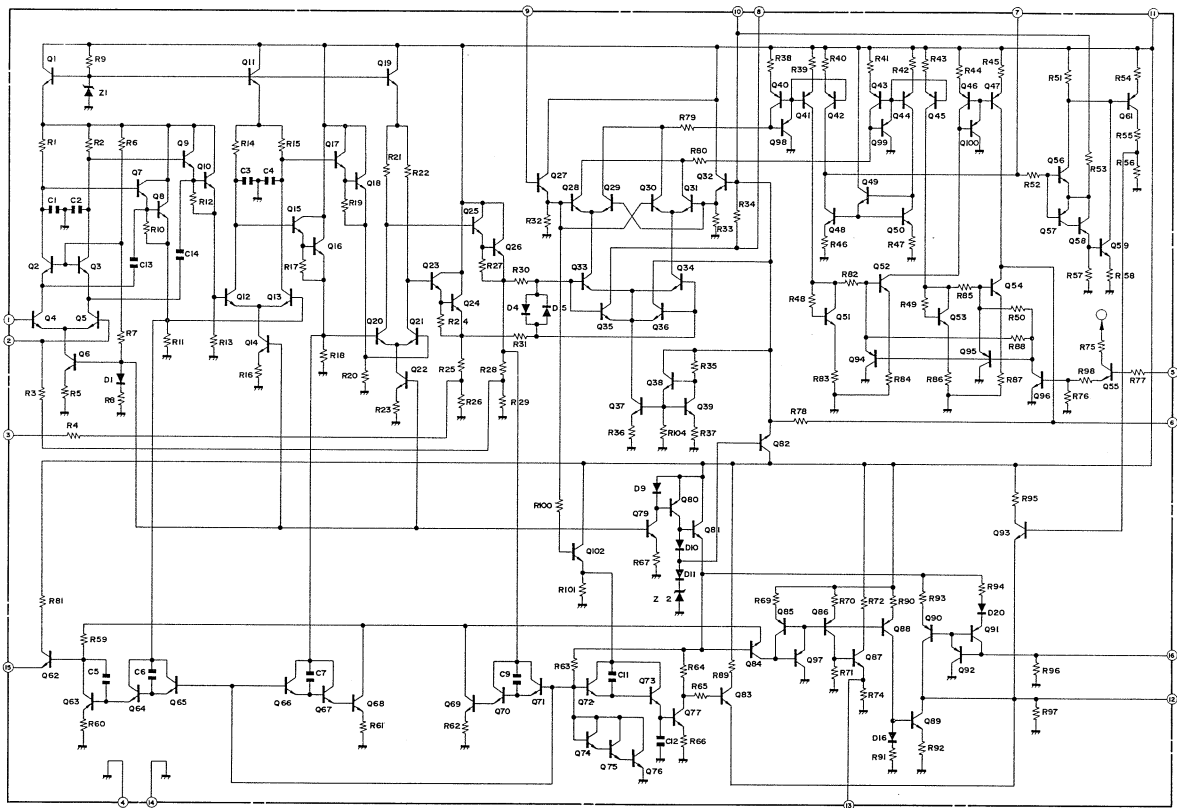


Figure 62 EQUIVALENT CIRCUIT OF INTEGRATED CIRCUIT (IC102)

Digitized By RidgeDeller  
 For Free Distribution  
 DO NOT PAY FOR THIS DOCUMENT

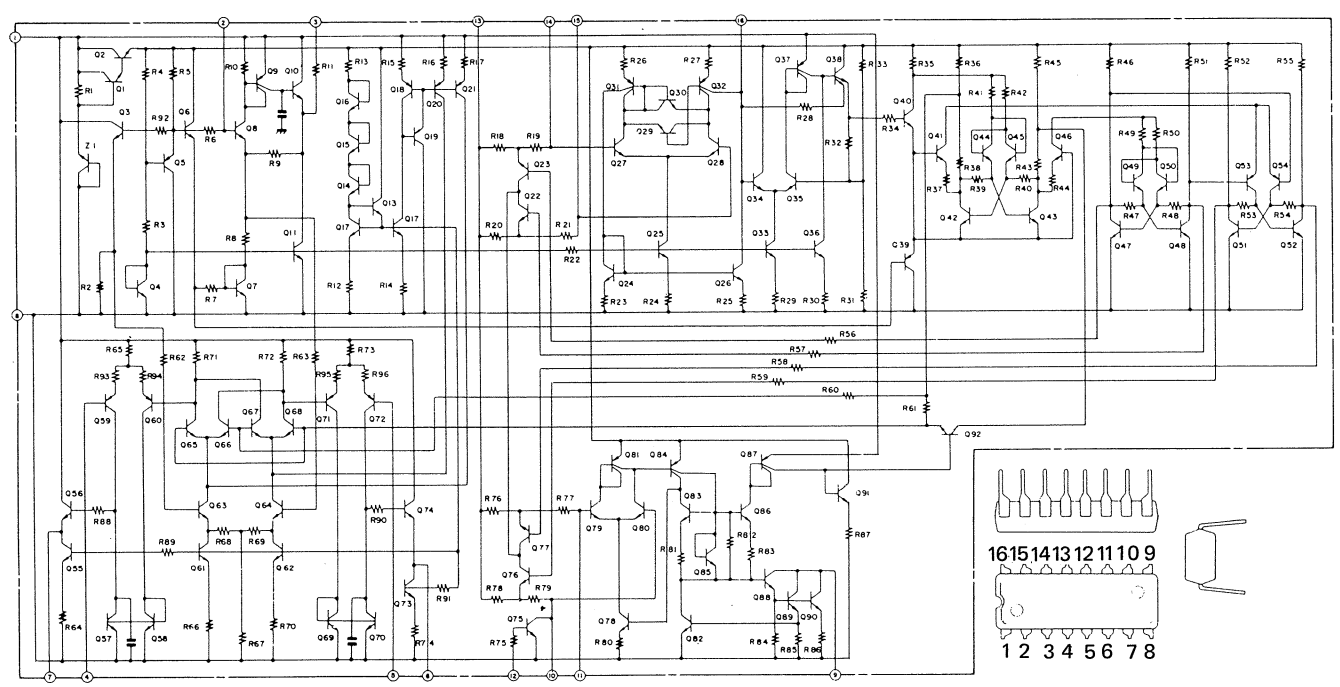
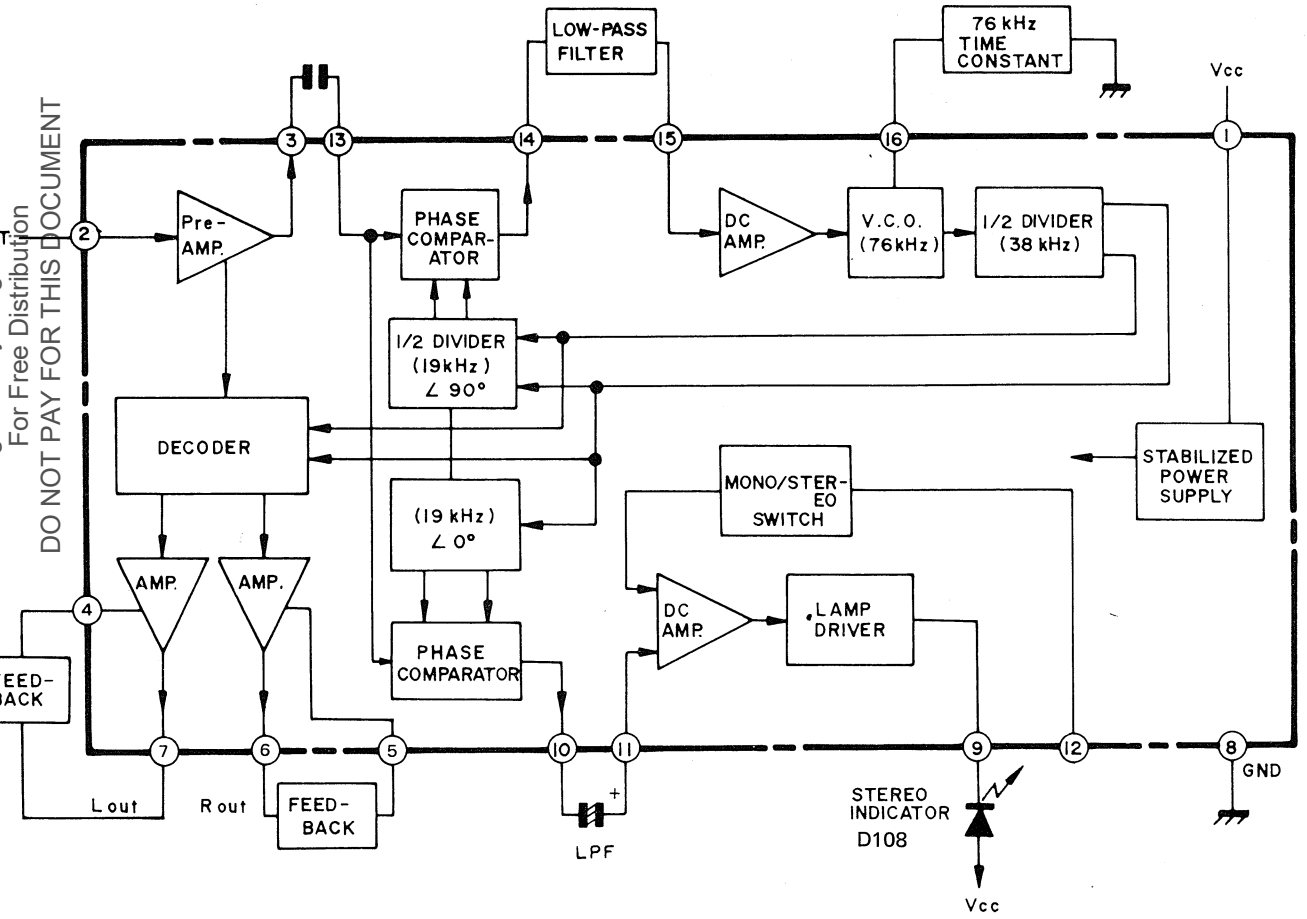


Figure 63 EQUIVALENT CIRCUIT OF INTEGRATED CIRCUIT (IC103)

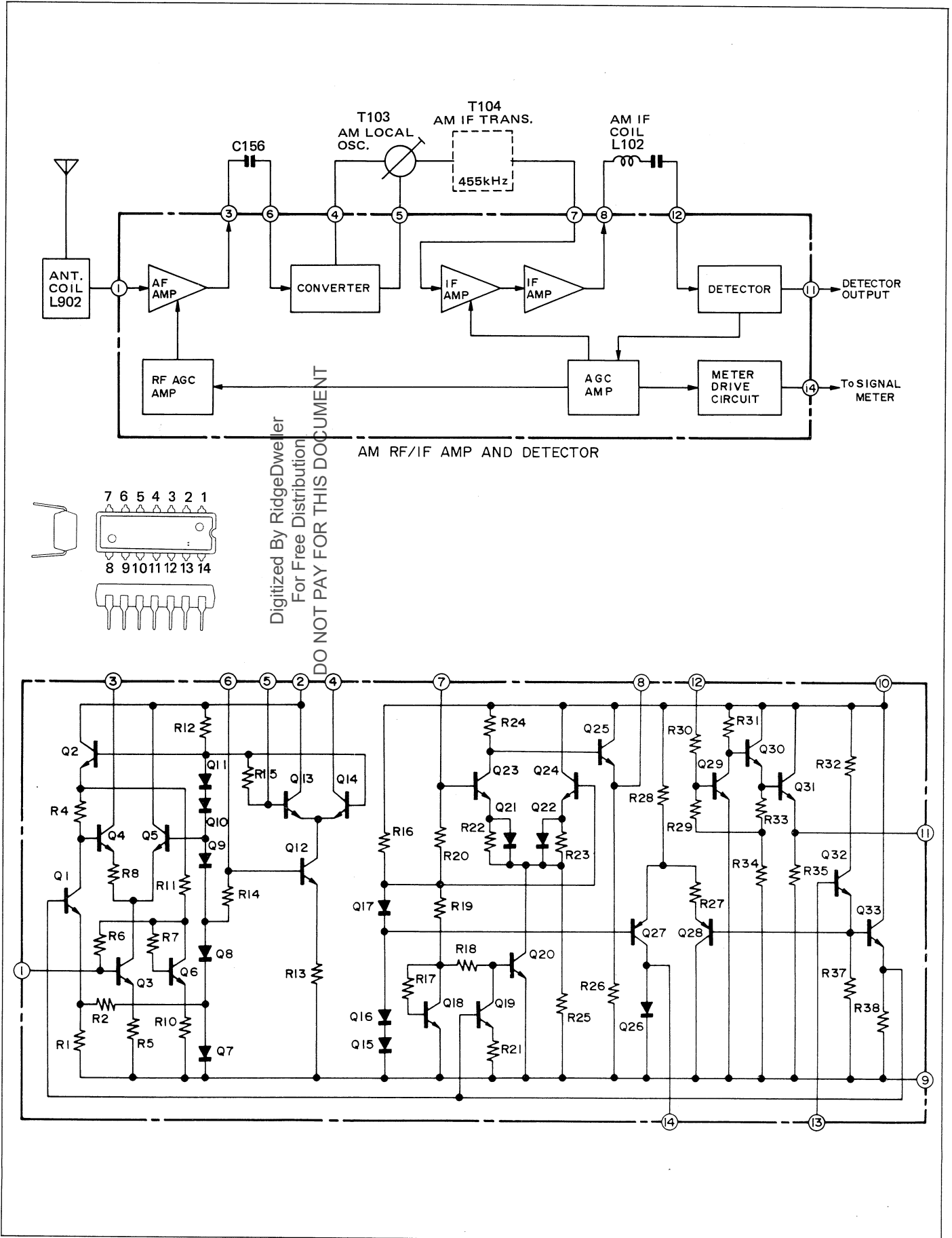
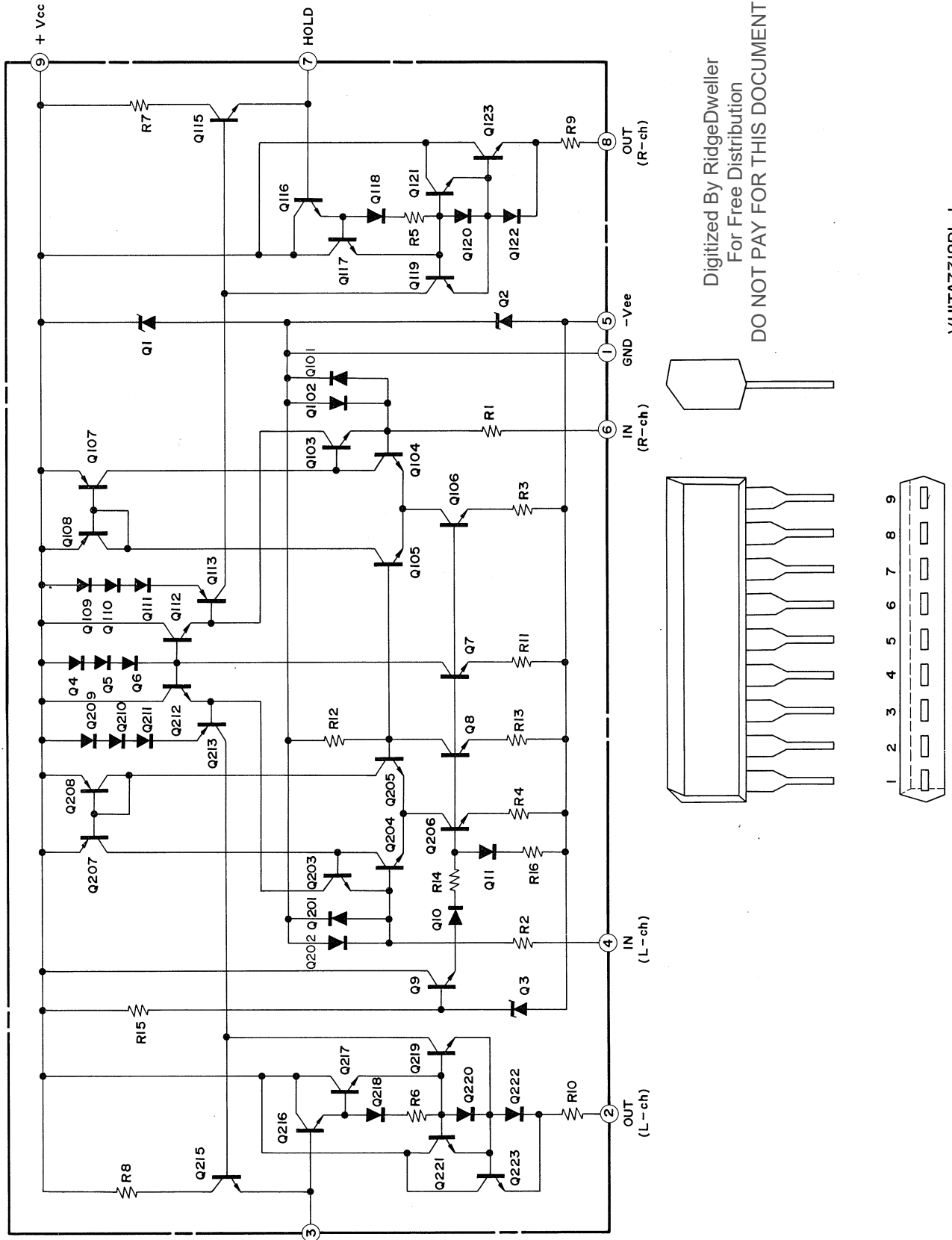


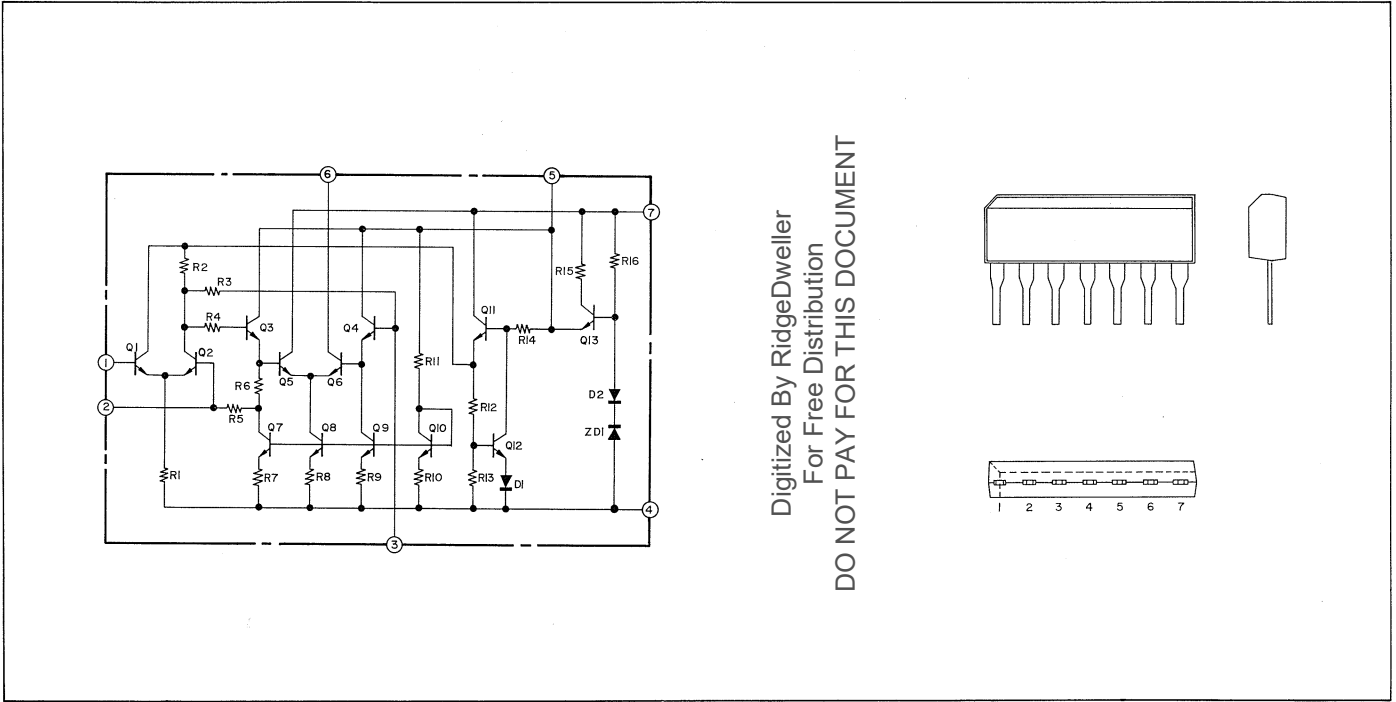
Figure 64 EQUIVALENT CIRCUIT OF INTEGRATED CIRCUIT (IC104)



Digitized By RidgeDweller  
 For Free Distribution  
 DO NOT PAY FOR THIS DOCUMENT

VH1TA7318PI-1

Figure 65 EQUIVALENT CIRCUIT OF INTEGRATED CIRCUIT (IC601)



Digitized By RidgeDweller  
 For Free Distribution  
 DO NOT PAY FOR THIS DOCUMENT

Figure 66 EQUIVALENT CIRCUIT OF INTEGRATED CIRCUIT (IC101)

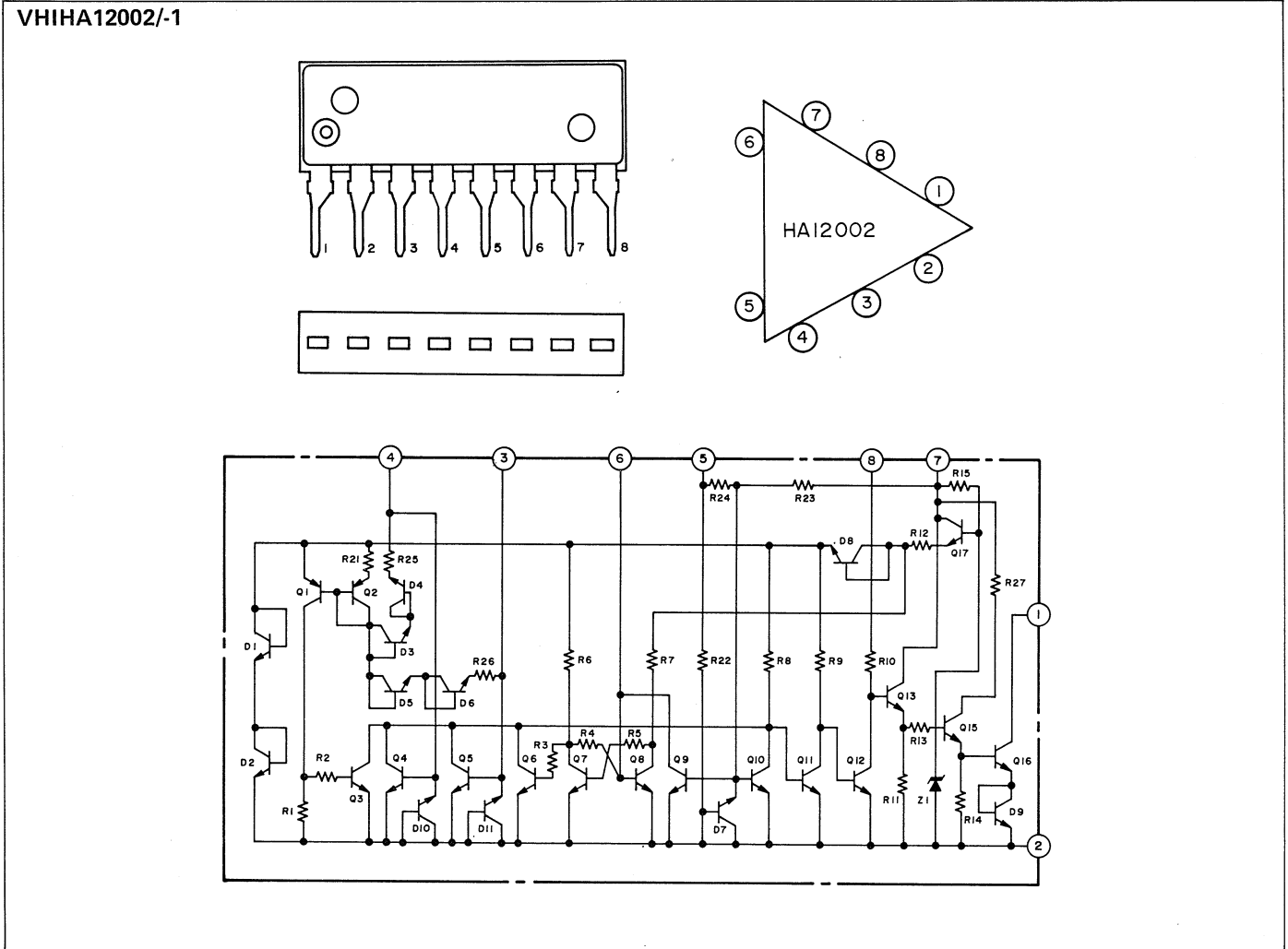


Figure 67 EQUIVALENT CIRCUIT OF INTEGRATED CIRCUIT (IC602)

# REPLACEMENT PARTS LIST

## "HOW TO ORDER REPLACEMENT PARTS"

To have your order filled promptly and correctly, please furnish the following informations.

1. MODEL NUMBER
2. REF. NO.
3. PART NO.
4. DESCRIPTION

Order to : Parts Center

P.O. Box 664 Paramus, New Jersey 07652 (201) 262-9000  
P.O. Box 20394 Long Beach, Calif. 90801 (213) 830-4470

REF. NO.	PART NO.	DESCRIPTION	CODE	REF. NO.	PART NO.	DESCRIPTION	CODE
<b>INTEGRATED CIRCUITS</b>							
IC101	TA7302P	FM IF Amplifier (VHITA7302P/-1)	AG	Q507, Q508	2SD668AB	Power Amplifier (VS2SD668A-B-1)	AG
IC102	HA11225	FM Detector (Quadrature) (VHIHA11225/-1)	AP	Q509, Q510	2SD669AB	Power Amplifier (VS2SD669A-B-1)	AH
IC103	HA1196	P.L.L Multiplex Stereo Demodulator (RH-IX1053AFZZ)	AP	Q511, Q512	2SB649AB	Power Amplifier (VS2SB649A-B-1)	AH
IC104	HA1151	AM RF/IF Amplifier and Demodulator (RH-IX1032AEZZ)	AK	Q513, Q514	2SC1213AB	Power Amplifier (VS2SC1213AB-1)	AD
IC601	TA7318P	Power Meter Amplifier (VHITA7318P2-1)	AK	Q515, Q516	2SA673AB	Power Amplifier (VS2SA673AB/-1)	AE
IC602	HA12002	Protector Circuit (VHIHA12002/-1)	AK	Q517, Q518	2SD675AB	Power Amplifier (VS2SD675AB/-1)	AP
				Q519, Q520	2SB655AB	Power Amplifier (VS2SB655AB/-1)	AQ
				Q521, Q522	2SB646C	Power Amplifier (VS2SB646-C/-1)	AE
				Q601	2SC1166Y	Ripple Filter, Voltage Regulator (VS2SC1166-Y-1)	AE
				Q602	2SA661Y	Ripple Filter, Voltage Regulator (VS2SA661-Y/-1)	AE
Q101	2SC458C	FM AGC (VS2SC458-C/-1)	AC	Q603	2SC1061B	Ripple Filter, Voltage Regulator (VS2SC1061-B/-1)	AG
Q102	2SC460B	FM IF Amplifier (VS2SC460-B/-1)	AC	Q604, Q605	2SC458D	Relay Circuit Schimide Trigger (VS2SC458-D/-1)	AC
Q201, Q202, Q203, Q204, Q205, Q206, Q207	2SC458D	FM Opto Lock (VS2SC458-D/-1)	AC	<b>DIODES</b>			
Q208	2SC458C	FM Opto Lock (VS2SC458-C/-1)	AC	D101	1S2473	FM AGC Circuit (VHD1S2473/-1)	AB
Q209, Q210	2SC458D	FM Muting (VS2SC458-D/-1)	AC	D102, D103	1N60	FM AGC Circuit (VHD1N60///-1)	AB
Q301, Q302, Q303, Q304, Q305, Q306	2SK117BL	Equalizer Amplifier (VS2SK117-BL-1)	AE	D104	HV-46G	FM IF Circuit (VHVHV46-G//1)	AC
Q307, Q308	2SA872E	Equalizer Amplifier (VS2SA872-E/-1)	AE	D105, D106, D107	1S2473	FM IF Circuit (VHD1S2473/-1)	AB
Q401, Q402	2SC1775E	Buffer Amplifier (VS2SC1775E/-1)	AD	D108	GL3AR1	Light Emitting Diode, FM Stereo Indicator (VHPGL3AR1//1)	AD
Q403, Q404	2SA872E	Tone Amplifier (VS2SA872-E/-1)	AE	D109	1S2473	FM IF Circuit (VHD1S2473//1)	AB
Q405, Q406	2SC1775E	Tone Amplifier (VS2SC1775E/-1)	AD	D110	1S2473	P.L.L Multiplex Stereo Demodulator (VHD1S2473/-1)	AB
Q407, Q408	2SA872E	Tone Amplifier (VS2SA872-E/-1)	AE	D111	1S2473	Switching (VHD1S2473//1)	AB
Q501, Q502	2SA798G	Power Amplifier (VS2SA798-G/-1)	AF	D201	1N60PP	FM Opto Lock Circuit (VHD1N60-PP/1G)	AB
Q503, Q504	2SB646C	Power Amplifier (VS2SB646-C/-1)	AE	D202	1N60	FM Opto Lock Circuit (VHD1N60///-1)	AB
Q505, Q506	2SB648AB	Power Amplifier (VS2SB648A-B-1)	AE	D203	1S2473	FM Opto Lock Circuit (VHD1S2473//1)	AB
				D204	1N60PP	FM Opto Lock Circuit (VHD1N60-PP/1G)	AB
				D205, D206	1S2473	FM Opto Lock Circuit (VHD1S2473//1)	AB
				D207	GL3AR1	Light Emitting Diode, FM Opto Lock Indicator (VHPGL3AR1//1)	AD

Digitized By RidgeDweller  
 For Free Distribution  
 DO NOT PAY FOR THIS DOCUMENT

# PARTS LIST

REF. NO.	PART NO.	DESCRIPTION	CODE	REF. NO.	PART NO.	DESCRIPTION	CODE
D501, D502	HV-46G	Varistor, Power Amplifier (VHVHV46-G//1)	AC	T103	RCILB0395AFZZ	AM Local Oscillation	AD
D505, D506, D507, D508	1S2473	Power Amplifier Circuit (VHD1S2473//1)	AB	T104	RCILIO219AFZZ	AM IF with Ceramic Filter	AE
D509, D510	MV203Y	Varistor, Power Amplifier (VHVMV203Y//1)	AD	T901	RTRNP0577AFZZ	Power	BQ
D511, D512	1S2473	Protection Circuit (VHD1S2473//1)	AB	<b>FILTERS</b>			
D601, D602, D603, D604	10E1	Power Rectifier (VHD10E1///1)	AC	CF101, CF102, CF103, CF104	RFILF0059AFZZ	FM IF, Ceramic	AG
D605	1S2473	Power Rectifier (VHD1S2473//1)	AB	LPF101, LPF102	RFILL0051AFZZ	Low Pass Filter	AH
D606	1S2473	Voltage Regulator (VHD1S2473//1)	AB	<b>CONTROLS</b>			
D607, D608	10E1	Voltage Regulator (VHD10E1///1)	AC	VR101	RVR-M0065AGZZ	4.7K ohm (B), FM Muting Adjust	AF
D611, D613	1S2473	Protection Circuit (VHD1S2473//1)	AB	VR102	RVR-M0078AGZZ	10K ohm (B), V.C.O. Frequency Adjust	AG
D614	GL-52RG	Light Emitting Diode, Protection Indicator (VHPGL-52RG/1F)	AK	VR103	RVR-M0145AFZZ	220K ohm (B), Stereo Separation Adjust	AD
D701, D702, D703, D704	30DC2	Power Rectifier (VHD30DC2///F)	AG	VR201	RVR-M0084AGZZ	100K ohm (B), FM Opto Lock Adjust	AG
D705, D706, D707, D708	30DC2R	Power Rectifier (VHD30DC2R//F)	AG	VR202	RVR-M0024AGZZ	100K ohm (B), Air Check Adjust	AE
ZD601, ZD602, ZD603, ZD604	RD15ED	Zener Diode, Voltage Regulator (VHERD15ED//1F)	AD	VR401-A, B	RVR-G0051AFZZ	100K ohm (Z), Balance Control	AH
ZD605	HZ12B3	Zener Diode, Voltage Regulator (VHEHZ12B3//1)	AB	VR402-A, B	RVR-B0159AFZZ	100K ohm (B), Volume Control	AN
<b>THERMISTORS</b>				VR403-A, B	RVR-B0117AFZZ	100K ohm (B), Bass Control	AK
TH901, TH902	MV203Y	Positive Coefficient Thermistor (RH-QX1002AFZZ)	AG	VR404-A, B	RVR-B0117AFZZ	100K ohm (B), Mid Control	AK
<b>COILS</b>				VR405-A, B	RVR-B0117AFZZ	100K ohm (B), Treble Control	AK
L101	VP-LH100M0000	10μH, Choke	AB	VR501, VR502	RVR-M0071AGZZ	330 ohm (B), Idle Current Control	AG
L102	RCILZ0064AFZZ	21μH, Phase Shifter	AC	VR601, VR602	RVR-M0122AFZZ	500 ohm (B), Power Meter Adjust	AC
L103	RCILIO219AFZZ	AM IF	AH	<b>RESISTERS</b>			
L501, L502	RCILZ0050AFZZ	.8μH, Oscillation Prevention	AD	(Unless otherwise specified resistors are 1/4W, ±5%, Carbon type,)			
L601, L602, L603	VP-LH100M0000	10μH, Choke	AB	R101	VRD-ST2EE101J	100 ohm	
L901	RCILA0231AFZZ	Balun (Antenna Matching)	AD	R102	VRD-ST2EE333J	33K ohm	
L902	RCILA0429AFZZ	AM Bar Antenna	AN	R103	VRD-ST2EE330J	33 ohm	
<b>TRANSFORMERS</b>				R104	VRD-ST2EE101J	100 ohm	
T101	RCILD0062AFZZ	FM IF, Quadrature	AD	R105	VRD-ST2EE683J	68K ohm	
T102	RCILD0063AFZZ	FM IF, Quadrature	AD	R106	VRD-ST2EE102J	1K ohm	
				R107	VRD-ST2EE221J	220 ohm	
				R108	VRD-ST2EE101J	100 ohm	
				R109	VRD-ST2EE104J	100K ohm	
				R110	VRD-ST2EE154J	150K ohm	AA
				R111	VRD-ST2EE330J	33 ohm	
				R112	VRD-ST2EE224J	220K ohm	
				R113	VRD-ST2EE331J	330 ohm	
				R114	VRD-ST2EE472J	4.7K ohm	
				R115	VRD-ST2EE104J	100K ohm	
				R116	VRD-ST2EE330J	33 ohm	
				R117	VRD-ST2EE471J	470 ohm	
				R118	VRD-ST2EE822J	8.2K ohm	
				R119	VRD-ST2EE153J	15K ohm	

Digitized By RidgeDweller  
 For Free Distribution  
 DO NOT PAY FOR THIS DOCUMENT

# PARTS LIST

REF. NO.	PART NO.	DESCRIPTION	CODE	REF. NO.	PART NO.	DESCRIPTION	CODE
R120	VRD-ST2EE222J	2.2K ohm		R216	VRD-ST2EE823J	82K ohm	
R121	VRD-ST2EE333J	33K ohm		R217	VRD-ST2EE102J	1K ohm	
R122	VRD-ST2EE822J	8.2K ohm		R218	VRD-ST2EE333J	33K ohm	
R123	VRD-ST2EE154J	150K ohm		R219	VRD-ST2EE272J	2.7K ohm	
R124	VRD-ST2EE473J	47K ohm		R220	VRD-ST2EE563J	56K ohm	
R125	VRD-ST2EE153J	15K ohm		R221	VRD-ST2EE154J	150K ohm	
R126	VRD-ST2EE271J	270 ohm		R222, } R223 }	VRD-ST2EE272J	2.7K ohm	
R127	VRD-ST2EE123J	12K ohm		R224	VRD-ST2EE823J	82K ohm	
R128	VRD-ST2EE271J	270 ohm		R225	VRD-ST2EE334J	330K ohm	
R129, } R130 }	VRD-ST2EE560J	56 ohm		R226	VRD-ST2EE104J	100K ohm	
R131	VRD-ST2EE102J	1K ohm		R227	VRD-ST2EE823J	82K ohm	
R132	VRD-ST2EE333J	33K ohm		R228	VRD-ST2EE224J	220K ohm	
R133	VRD-ST2EE563J	56K ohm		R229	VRD-ST2HD821J	820 ohm, 1/2W, ±5%, Carbon	
R134	VRD-ST2EE183J	18K ohm		R231	VRD-ST2EE101J	100 ohm	
R135	VRD-ST2EE333J	33K ohm		R232	VRD-ST2EE103J	10K ohm	
R136	VRD-ST2EE224J	220K ohm		R233	VRD-ST2EE181J	180 ohm	
R137	VRD-ST2EE333J	33K ohm		R234	VRD-ST2EE392J	3.9K ohm	
R138	VRD-ST2EE223J	22K ohm		R235	VRD-ST2EE823J	82K ohm	
R139	VRD-ST2EE101J	100 ohm		R236	VRD-ST2EE223J	22K ohm	
R140	VRD-ST2EE102J	1K ohm		R237, } R238 }	VRD-ST2EE103J	10K ohm	
R141	VRD-ST2EE223J	22K ohm		R239	VRD-ST2EE223J	22K ohm	
R142	VRD-ST2EE563J	56K ohm		R241	VRD-ST2EE273J	27K ohm	AA
R143	VRD-ST2HD561J	560 ohm, 1/2W, ±5%, Carbon		R301, } R302 }	VRD-ST2EE102J	1K ohm	
R144, } R145 }	VRD-ST2EE682J	6.8K ohm		R303, } R304 }	VRD-ST2EE105J	1Meg ohm	
R146, } R147 }	VRD-ST2EE473J	47K ohm		R305, } R306, } R307, } R308 }	VRD-ST2EE102J	1K ohm	
R148, } R149 }	VRD-ST2EE332J	3.3K ohm		R309, } R310 }	VRD-ST2EE105J	1Meg ohm	
R150	VRD-ST2EE223J	22K ohm		R311, } R312 }	VRD-ST2EE102J	1K ohm	
R151, } R152 }	VRD-ST2EE392J	3.9K ohm		R313, } R314 }	VRD-ST2EE474J	470K ohm	
R153	VRD-ST2EE333J	33K ohm		R315, } R316 }	VRD-ST2EE273J	27K ohm	
R154	VRD-ST2EE271J	270 ohm	AA	R317, } R318 }	VRD-ST2EE104J	100K ohm	
R157	VRD-ST2EE105J	1Meg ohm		R319, } R320 }	VRD-ST2EE221J	220 ohm	
R158, } R159 }	VRD-ST2EE100J	10 ohm		R321, } R322 }	VRD-ST2EE473J	47K ohm	
R160	VRD-ST2EE103J	10K ohm		R323, } R324 }	VRN-KU2HB154F	150K ohm, 1/2W, ±1%, Oxide Film	**
R170	VRD-ST2EE103J	10K ohm		R325, } R326 }	VRD-ST2EE153J	15K ohm	
R171	VRD-ST2EE153J	15K ohm		R327, } R328 }	VRD-ST2EE682J	6.8K ohm	
R172	VRD-ST2EE101J	100 ohm		R329, } R330 }	VRD-ST2EE154J	150K ohm	
R173	VRD-ST2EE562J	5.6K ohm		R331, } R332 }	VRD-ST2EE562J	5.6K ohm	
R174	VRD-ST2EE101J	100 ohm		R333, } R334 }	VRD-ST2EE102J	1K ohm	AA
R175	VRD-ST2EE821J	820 ohm		R335, } R336 }	VRD-ST2EE124J	120K ohm	
R177	VRD-ST2EE562J	5.6K ohm		R337, } R338 }	VRD-ST2EE334J	330K ohm	
R178	VRD-ST2EE223J	22K ohm		R339, } R340 }	VRD-ST2EE122J	1.2K ohm	
R179	VRD-ST2EE101J	100 ohm		R341, } R342 }	VRN-KU2HB564F	560K ohm, 1/2W, ±1%, Oxide Film	**
R180	VRD-ST2EE332J	3.3K ohm					
R181	VRD-ST2EE560J	56 ohm					
R182	VRD-ST2EE821J	820 ohm					
R183	VRD-ST2EE335J	3.3Meg ohm					
R201	VRD-ST2EE224J	220K ohm					
R202	VRD-ST2EE335J	3.3Meg ohm					
R204	VRD-ST2EE103J	10K ohm					
R205	VRD-ST2EE684J	680K ohm					
R206	VRD-ST2EE104J	100K ohm					
R207	VRD-ST2EE103J	10K ohm					
R208	VRD-ST2EE182J	1.8K ohm					
R209	VRD-ST2EE393J	39K ohm					
R210	VRD-ST2EE273J	27K ohm					
R212	VRD-ST2EE122J	1.2K ohm					
R213	VRD-ST2EE103J	10K ohm					
R214	VRD-ST2EE102J	1K ohm					
R215	VRD-ST2EE104J	100K ohm					

Digitized By RidgeDweller  
For Free Distribution  
DO NOT PAY FOR THIS DOCUMENT

# PARTS LIST

REF. NO.	PART NO.	DESCRIPTION	CODE	REF. NO.	PART NO.	DESCRIPTION	CODE
R343, R344	VRN-KU2EB473F	47K ohm, 1/4W, ±1%, Oxide Film	**	R461, R462	VRD-ST2EE333J	33K ohm	
R345, R346	VRD-ST2EE124J	120K ohm		R463, R464	VRD-ST2EE472J	4.7K ohm	
R347, R348	VRD-ST2EE561J	560 ohm		R465, R466	VRD-ST2EE105J	1Meg ohm	
R349, R350	VRD-ST2EE224J	220K ohm	AA	R467, R468	VRD-ST2EE334J	330K ohm	
R351, R352	VRD-ST2EE474J	470K ohm		R469, R470	VRD-ST2EE823J	82K ohm	
R353, R354	VRD-ST2EE102J	1K ohm		R501, R502	VRD-ST2EE564J	560K ohm	
R355, R356	VRG-ST2EA101J	100 ohm, 1/4W, ±5%, Fusible	AB	R503, R504	VRD-ST2EE821J	820 ohm	
R401, R402	VRD-ST2EE682J	6.8K ohm		R505, R506	VRD-ST2EE223J	22K ohm	AA
R403, R404	VRD-SU2EE563J	56K ohm		R507, R508	VRD-ST2EE681J	680 ohm	
R405, R406	VRD-ST2EE333J	33K ohm		R509, R510	VRD-ST2EE331J	330 ohm	
R407, R408	VRD-ST2EE103J	10K ohm		R511, R512	VRD-ST2EE392J	3.9K ohm	
R409, R410	VRD-SU2EE471J	470 ohm		R513, R514	VRD-ST2EE681J	680 ohm	
R411, R412	VRD-SU2EE474J	470K ohm		R515, R516	VRD-ST2EE152J	1.5K ohm	
R413, R414	VRD-ST2EE105J	1Meg ohm		R517, R518	VRD-ST2EE563J	56K ohm	
R415	VRD-ST2EE104J	100K ohm		R519, R520	VRD-ST2EE223J	22K ohm	
R417	VRD-ST2EE103J	10K ohm		R521, R522	VRD-ST2EE680J	68 ohm	
R419, R420	VRD-ST2EE273J	27K ohm		R523, R524			
R421, R422	VRD-SU2EE102J	1K ohm		R525, R526	VRG-ST2EA101J	100 ohm, 1/4W, ±5%, Fusible	AB
R423, R424	VRD-ST2EE682J	6.8K ohm		R527, R528			
R425, R426	VRD-ST2EE102J	1K ohm		R529, R530	VRG-ST2EA4R7J	4.7 ohm, 1/4W, ±5%, Fusible	AB
R427, R428				R531, R532	VRG-ST2EA101J	100 ohm, 1/4W, ±5%, Fusible	AB
R429, R430	VRD-ST2EE153J	15K ohm	AA	R533, R534			
R433, R434	VRD-ST2EE273J	27K ohm		R535, R536	VRG-ST2EA4R7J	4.7 ohm, 1/4W, ±5%, Fusible	AB
R435, R436				R537, R538	VRG-ST2EA271J	270 ohm, 1/4W, ±5%, Fusible	AB
R437, R438	VRD-ST2EE562J	5.6K ohm		R539, R540			
R439, R440	VRD-ST2EE123J	12K ohm		R541, R542	RR-WZ1001AFZZ	.33 ohm, 5W, Cement	AD
R441, R442	VRD-ST2EE332J	3.3K ohm		R543, R544	VRG-ST2EA271J	270 ohm, 1/4W, ±5%, Fusible	AB
R443, R444				R545, R546			
R447, R448	VRD-ST2EE225J	2.2Meg ohm		R547, R548	VRG-ST2EA101J	100 ohm, 1/4W, ±5%, Fusible	AB
R449, R450	VRD-ST2EE683J	68K ohm		R549, R550			
R451	VRD-SU2EE103J	10K ohm		R551, R552	VRD-ST2EE122J	1.2K ohm	
R452	VRD-ST2EE103J	10K ohm		R553, R554	VRD-ST2EE472J	4.7K ohm	AA
R453	VRD-ST2EE473J	47K ohm		R555, R556	VRD-ST2EE392J	3.9K ohm	
R454	VRD-SU2EE473J	47K ohm					
R455, R456	VRD-SU2EE221J	220 ohm					
R457, R458	VRD-SU2EE273J	27K ohm					

Digitized By RidgeDweller  
For Free Distribution  
DO NOT PAY FOR THIS DOCUMENT



# PARTS LIST

REF. NO.	PART NO.	DESCRIPTION	CODE	REF. NO.	PART NO.	DESCRIPTION	CODE
C411, C412, C413, C414, C415, C416, C417, C418, C419, C420, C421, C422, C431, C432, C503, C504, C505, C506, C513, C514, C519, C520, C601, C602, C603, C604, C614, C626, C629, C630, C631	VCQYSH1HM273J	.027MFD, 50V, ±5%, Mylar	AB	C159, C160, C161, C164, C166, C201, C202, C203, C204, C205, C206, C207, C208, C216, C209, C210, C215, C301, C302, C303, C304, C305, C312, C313, C314, C315, C316, C317, C320, C321, C322, C323, C331, C332, C335, C405, C406, C407, C408, C409, C410, C423, C424, C425, C426, C427, C428, C429, C430, C433, C435, C436, C501, C502, C507, C508, C509, C510, C511, C512, C515, C516, C517, C518, C521, C522	VCEALU1HW104M	.1MFD, 50V, ±20%	AB
	VCQYSH1HM562J	.0056MFD, 50V, ±5%, Mylar	AB		VCEAAU1CW107Y	100MFD, 16V, +50 -10%	AC
	VCCSPU1HL680K	68PF, 50V, ±10%, Ceramic	**		VCEAAU1CW476Y	47MFD, 16V, +50 -10%	AC
	VCQYSH1HM152J	.0015MFD, 50V, ±5%, Mylar	AB		VCEAAU1AW227Y	220MFD, 10V, +50 -10%	AC
	VCQYSH1HM562J	.0056MFD, 50V, ±5%, Mylar	AB		VCEALU1HW107Y	100MFD, 16V, +50 -10%	AC
	VCKYAT1HB331J	33PF, 50V, ±5%, Ceramic	**		VCEAAU1HW105Y	1MFD, 50V, +50 -10%	AB
	VCCSAT1HL330J	33PF, 50V, ±5%, Ceramic	**		VCEAAU1CW106Y	10MFD, 16V, +50 -10%	AB
	VCQYSH1HM104J	.1MFD, 50V, ±5%, Mylar	AC		VCEAAU1EW475Y	4.7MFD, 25V, +50 -10%	AB
	VCKZPU1HF223Z	.022MFD	AA		VCEAAU1CW336Y	33MFD, 16V, +50 -10%	AC
	VCKZPU1HF223Z	.022MFD	AA		VCEAAU1HW105Y	1MFD, 50V, +50 -10%	AB
	VCQYSH1HM273J	.027MFD, 50V, ±5%, Mylar	AB		VCEAAU1CW336Y	33MFD, 16V, +50 -10%	AC
	RC-KZ020UAFZZ	.01MFD, 150V, AC125V, +80 -20%, Ceramic	AE		VCEAAU1HW105Y	1MFD, 50V, +50 -10%	AB
C701, C702, C703, C704, C705, C706, C707, C708, C901, C902, C903, C904	VCKZPU2EE103Z	.01MFD, 250V, +80 -20%, Ceramic	AA		VCEALU1HW224M	.22MFD, 50V, ±20%	AB
	VCKZPU1HF223Z	.022MFD	AA		VCEAAU1CW106Y	10MFD, 16V, +50 -10%	AB
	VCCSPU1HL8ROC	8PF, 50V, ±0.25PF, Ceramic	**		VCEALU1EC475M	4.7MFD, 25V, ±20%	AB
<b>ELECTROLYTIC CAPACITORS</b>							
C107, C117, C121, C124, C126, C127, C128, C130, C132, C133, C134, C135, C138, C139, C148, C149, C153	VCEAAU1HW335Y	3.3MFD, 50V, +50 -10%	AB		VCEAAU1CW106Y	10MFD, 16V, +50 -10%	AB
	VCEALU1HW474M	.47MFD, 50V, ±20%	AB		VCEAAU1HW105Y	1MFD, 50V, +50 -10%	AB
	VCEAAU1HW105Y	1MFD, 50V, +50 -10%	AB		VCEAAU1CW106Y	10MFD, 16V, +50 -10%	AB
	VCEAAU1EW475Y	4.7MFD, 50V, +50 -10%	AB		VCEAAU1EW475Y	4.7MFD, 25V, +50 -10%	AB
	VCEAAU1CW106Y	10MFD, 16V, +50 -10%	AB		VCEAAU1CW336Y	33MFD, 16V, +50 -10%	AC
	VCEAAU1EW335Y	3.3MFD, 25V, +50 -10%	AB		VCEAAU1HW105Y	1MFD, 50V, +50 -10%	AB
	VCEALU1EW474M	.47MFD, 50V, ±20%	AB		VCEAAU1CW336Y	33MFD, 16V, +50 -10%	AC
	VCEAAU1CW227Y	220MFD, 16V, +50 -10%	AC		VCEAAU1HW105Y	1MFD, 50V, +50 -10%	AB
	VCEAAU1HW335Y	3.3MFD, 50V, +50 -10%	AB		VCEALU1HW224M	.22MFD, 50V, ±20%	AB
	VCAAAU1EB155K	1.5MFD, 25V, ±10%, Aluminum	AC		VCEAAU1CW106Y	10MFD, 16V, +50 -10%	AB
	VCEAAU1CW106Y	10MFD, 16V, +50 -10%	AB		VCEAAU1EW475Y	4.7MFD, 25V, +50 -10%	AB
	VCEAAU1HW105Y	1MFD, 50V, +50 -10%	AB		VCEAAU1CW336Y	33MFD, 16V, +50 -10%	AC
	VCEAAU1HW335Y	3.3MFD, 50V, +50 -10%	AB		VCEAAU1HW105Y	1MFD, 50V, +50 -10%	AB
	VCEAAU1CW106Y	10MFD, 16V, +50 -10%	AB		VCEALU1HW224M	.22MFD, 50V, ±20%	AB
					VCEAAU1CW106Y	10MFD, 16V, +50 -10%	AB
					VCEAAU1EW475Y	4.7MFD, 25V, +50 -10%	AB
					VCEAAU1CW336Y	33MFD, 16V, +50 -10%	AC
					VCEAAU1HW105Y	1MFD, 50V, +50 -10%	AB
					VCEAAU1CW336Y	33MFD, 16V, +50 -10%	AC
					VCEAAU1HW105Y	1MFD, 50V, +50 -10%	AB
					VCEALU1HW224M	.22MFD, 50V, ±20%	AB
					VCEAAU1CW106Y	10MFD, 16V, +50 -10%	AB
					VCEAAU1EW475Y	4.7MFD, 25V, +50 -10%	AB
					VCEAAU1CW336Y	33MFD, 16V, +50 -10%	AC
					VCEAAU1HW105Y	1MFD, 50V, +50 -10%	AB
					VCEAAU1CW336Y	33MFD, 16V, +50 -10%	AC
					VCEAAU1HW105Y	1MFD, 50V, +50 -10%	AB
					VCEALU1HW224M	.22MFD, 50V, ±20%	AB
					VCEAAU1CW106Y	10MFD, 16V, +50 -10%	AB
					VCEAAU1EW475Y	4.7MFD, 25V, +50 -10%	AB
					VCEAAU1CW336Y	33MFD, 16V, +50 -10%	AC
					VCEAAU1HW105Y	1MFD, 50V, +50 -10%	AB
					VCEAAU1CW336Y	33MFD, 16V, +50 -10%	AC
					VCEAAU1HW105Y	1MFD, 50V, +50 -10%	AB
					VCEALU1HW224M	.22MFD, 50V, ±20%	AB
					VCEAAU1CW106Y	10MFD, 16V, +50 -10%	AB
					VCEAAU1EW475Y	4.7MFD, 25V, +50 -10%	AB
					VCEAAU1CW336Y	33MFD, 16V, +50 -10%	AC
					VCEAAU1HW105Y	1MFD, 50V, +50 -10%	AB
					VCEAAU1CW336Y	33MFD, 16V, +50 -10%	AC
					VCEAAU1HW105Y	1MFD, 50V, +50 -10%	AB
					VCEALU1HW224M	.22MFD, 50V, ±20%	AB
					VCEAAU1CW106Y	10MFD, 16V, +50 -10%	AB
					VCEAAU1EW475Y	4.7MFD, 25V, +50 -10%	AB
					VCEAAU1CW336Y	33MFD, 16V, +50 -10%	AC
					VCEAAU1HW105Y	1MFD, 50V, +50 -10%	AB
					VCEAAU1CW336Y	33MFD, 16V, +50 -10%	AC
					VCEAAU1HW105Y	1MFD, 50V, +50 -10%	AB
					VCEALU1HW224M	.22MFD, 50V, ±20%	AB
					VCEAAU1CW106Y	10MFD, 16V, +50 -10%	AB
					VCEAAU1EW475Y	4.7MFD, 25V, +50 -10%	AB
					VCEAAU1CW336Y	33MFD, 16V, +50 -10%	AC
					VCEAAU1HW105Y	1MFD, 50V, +50 -10%	AB
					VCEAAU1CW336Y	33MFD, 16V, +50 -10%	AC
					VCEAAU1HW105Y	1MFD, 50V, +50 -10%	AB
					VCEALU1HW224M	.22MFD, 50V, ±20%	AB
					VCEAAU1CW106Y	10MFD, 16V, +50 -10%	AB
					VCEAAU1EW475Y	4.7MFD, 25V, +50 -10%	AB
					VCEAAU1CW336Y	33MFD, 16V, +50 -10%	AC
					VCEAAU1HW105Y	1MFD, 50V, +50 -10%	AB
					VCEAAU1CW336Y	33MFD, 16V, +50 -10%	AC
					VCEAAU1HW105Y	1MFD, 50V, +50 -10%	AB
					VCEALU1HW224M	.22MFD, 50V, ±20%	AB
					VCEAAU1CW106Y	10MFD, 16V, +50 -10%	AB
					VCEAAU1EW475Y	4.7MFD, 25V, +50 -10%	AB
					VCEAAU1CW336Y	33MFD, 16V, +50 -10%	AC
					VCEAAU1HW105Y	1MFD, 50V, +50 -10%	AB
					VCEAAU1CW336Y	33MFD, 16V, +50 -10%	AC
					VCEAAU1HW105Y	1MFD, 50V, +50 -10%	AB
					VCEALU1HW224M	.22MFD, 50V, ±20%	AB
					VCEAAU1CW106Y	10MFD, 16V, +50 -10%	AB
					VCEAAU1EW475Y	4.7MFD, 25V, +50 -10%	AB
					VCEAAU1CW336Y	33MFD, 16V, +50 -10%	AC
					VCEAAU1HW105Y	1MFD, 50V, +50 -10%	AB
					VCEAAU1CW336Y	33MFD, 16V, +50 -10%	AC
					VCEAAU1HW105Y	1MFD, 50V, +50 -10%	AB
					VCEALU1HW224M	.22MFD, 50V, ±20%	AB
					VCEAAU1CW106Y	10MFD, 16V, +50 -10%	AB
					VCEAAU1EW475Y	4.7MFD, 25V, +50 -10%	AB
					VCEAAU1CW336Y	33MFD, 16V, +50 -10%	AC
					VCEAAU1HW105Y	1MFD, 50V, +50 -10%	AB
					VCEAAU1CW336Y	33MFD, 16V, +50 -10%	AC
					VCEAAU1HW105Y	1MFD, 50V, +50 -10%	AB
					VCEALU1HW224M	.22MFD, 50V, ±20%	AB
					VCEAAU1CW106Y	10MFD, 16V, +50 -10%	AB
					VCEAAU1EW475Y	4.7MFD, 25V, +50 -10%	AB
					VCEAAU1CW336Y	33MFD, 16V, +50 -10%	AC
					VCEAAU1HW105Y	1MFD, 50V, +50 -10%	AB
					VCEAAU1CW336Y	33MFD, 16V, +50 -10%	AC
					VCEAAU1HW105Y	1MFD, 50V, +50 -10%	AB
					VCEALU1HW224M	.22MFD, 50V, ±20%	AB
					VCEAAU1CW106Y	10MFD, 16V, +50 -10%	AB
					VCEAAU1EW475Y	4.7MFD, 25V, +50 -10%	AB
					VCEAAU1CW336Y	33MFD, 16V, +50 -10%	AC
					VCEAAU1HW105Y	1MFD, 50V, +50 -10%	AB
					VCEAAU1CW336Y	33MFD, 16V, +50 -10%	AC
					VCEAAU1HW105Y	1MFD, 50V, +50 -10%	AB
					VCEALU1HW224M	.22MFD, 50V, ±20%	AB
					VCEAAU1CW106Y	10MFD, 16V, +50 -10%	AB
					VCEAAU1EW475Y	4.7MFD, 25V, +50 -10%	AB
					VCEAAU1CW336Y	33MFD, 16V, +50 -10%	AC
					VCEAAU1HW105Y	1MFD, 50V, +50 -10%	AB
					VCEAAU1CW336Y	33MFD, 16V, +50 -10%	AC
					VCEAAU1HW105Y	1MFD, 50V, +50 -10%	AB
					VCEALU1HW224M	.22MFD, 50V, ±20%	AB
					VCEAAU1CW106Y	10MFD, 16V, +50 -10%	AB
					VCEAAU1EW475Y	4.7MFD, 25V, +50 -10%	AB
					VCEAAU1CW336Y	33MFD, 16V, +50 -10%	AC
					VCEAAU1HW105Y	1MFD, 50V, +50 -10%	AB
					VCEAAU1CW336Y	33MFD, 16V, +50 -10%	AC
					VCEAAU1HW105Y	1MFD, 50V, +50 -10%	AB
					VCEALU1HW224M	.22MFD, 50V, ±20%	AB
					VCEAAU1CW106Y	10MFD, 16V, +50 -10%	AB
					VCEAAU1EW475Y	4.7MFD, 25V, +50 -10%	AB
					VCEAAU1CW336Y	33MFD, 16V, +50 -10%	AC
					VCEAAU1HW105Y	1MFD, 50V, +50 -10%	AB
					VCEAAU1CW336Y	33MFD, 16V, +50 -10%	AC
					VCEAAU1HW105Y	1MFD, 50V, +50 -10%	AB
					VCEALU1HW224M	.22MFD, 50V, ±20%	AB
					VCEAAU1CW106Y	10MFD, 16V, +50 -10%	AB
					VCEAAU1EW475Y	4.7MFD, 25V, +50 -10%	AB
					VCEAAU1CW336Y	33MFD, 16V, +50 -10%	AC
					VCEAAU1HW105Y	1MFD, 50V, +50 -10%	AB
					VCEAAU1CW336Y	33MFD, 16V, +50 -10%	AC
					VCEAAU1HW105Y	1MFD, 50V, +50 -10%	AB
					VCEALU1HW224M	.22MFD, 50V, ±20%	AB
					VCEAAU1CW106Y	10MFD, 16V, +50 -10%	AB

# PARTS LIST

REF. NO.	PART NO.	DESCRIPTION	CODE	REF. NO.	PART NO.	DESCRIPTION	CODE
C605, C606	VCEAAU1HW108Y	1000MFD, 50V, +50 -10%	AG		JKNBN0338AFSA	Knob, Treble Control Switch, Mid Control Switch, Bass Control Switch, Balance Control Switch (SA-5601, SA-5601C)	AH
C607, C608	RC-EZS227AF1H	220MFD, 50V, ±20%	AC		JKNBN0367AFSA	Knob, Treble Control Switch, Mid Control Switch, Bass Control Switch, Balance Control Switch, (SA-5605, SA-5605C)	AH
C609, C610	RC-EZS107AF1V	100MFD, 35V, ±20%	AC		JKNBN0383AFSA	Knob, Tuning Control Switch (SA-5601, SA-5601C)	AL
C611, C612	VCEAAU1HW476Y	47MFD, 50V, +50 -10%	AC		JKNBN0383AFSB	Knob, Tuning Control Switch (SA-5605, SA-5605C)	AM
C613	RC-EZS107AF1C	100MFD, 16V, ±20%	AB		JKNBP0070AFSA	Knob, Power Switch, Low Cut Filter Switch, High Cut Filter Switch, Loudness Contour Switch, Mode Selector Switch, High Blend Switch, FM Muting Switch, Air Check Calibration Switch, Phono Input Selector Switch, Band Selector Switch, Tape Monitor Switch (SA-5601, SA-5601C)	AH
C615	RC-EZS107AF1V	100MFD, 35V, ±20%	AC		JKNBP0070AFSB	Knob, Power Switch, Low Cut Filter Switch, High Cut Filter Switch, Loudness Contour Switch, Mode Selector Switch, High Blend Switch, FM Muting Switch, Air Check Calibration Switch, Phono Input Selector Switch, Band Selector Switch, Tape Monitor Switch (SA-5605, SA-5605C)	AG
C616, C617	VCEAAU1CW476Y	47MFD, 16V, +50 -10%	AC				
C618	VCEAAU1HW105Y	1MFD, 50V, +50 -10%	AB				
C619	VCEAAU1EW106Y	10MFD, 25V, +50 -10%	AB				
C621	VCEAAU1CW106Y	10MFD, 16V, +50 -10%	AB				
C622, C623, C624	VCEAAU1CW227Y	220MFD, 16V, +50 -10%	AC				
C625	VCEAAU1EW106Y	10MFD, 25V, +50 -10%	AB				
C627	RC-EZS107AF1C	100MFD, 16V, ±20%	AB				
C632	VCEAAU1HW108Y	1000MFD, 50V, +50 -10%	AG				
C709, C710, C711, C712	RC-EZ1083AFZZ	1000MFD, 63V, +50 -10%	AW				
<b>MISCELLANEOUS</b>							
	GCAB-5103AFSA	Cabinet (SA-5601, SA5605)	BE				
	GCAB-5106AFSA	Cabinet (SA-5601C, SA-5605C)	-				
	GCOVA1075AFSC	Guide Lever Switch (Long) (SA-5601, SA-5601C)	AC				
	GCOVA1075AFSB	Guide Lever Switch (Long) (SA-5605, SA-5605C)	AC				
	GCOVA1119AFSA	Guide Lever Switch (Short) (SA-5601, SA-5601C)	AD		JKNBP0078AFSA	Knob, Tuner Switch (SA-5601, SA-5601C)	AE
	GCOVA1119AFSB	Guide Lever Switch (Short) (SA-5605, SA-5605C)	AC		JKNBP0078AFSB	Knob, Tuner Switch (SA-5605, SA-5605C)	AC
	GFTAC3076AFZZ	Bottom Plate	AV		LANGF0467AFZZ	Bracket, Tuner P.W. Board Left Hand Side	AC
	GLEGP0002SG00	Leg	AD		LANGQ0581AFZZ	Bracket, Audio Muting Switch	AB
	HDALM0195AFSA	Dial Scale	AN		LANGQ0619AFSA	Rear Panel (SA-5605)	AS
	HDECB0087AFSA	Meter Cover	AG		LANGQ0618AFSA	Rear Panel (SA-5601)	AT
	HPNLC3352AFSA	Front Panel (SA-5601, SA-5601C)	BF		LANGQ0632AFSA	Rear Panel (SA-5601C)	-
	HPNLC3353AFSA	Front Panel (SA-5605, SA-5605C)	BG		LANGQ0633AFSA	Rear Panel (SA-5605C)	-
	HSSND0250AFSA	Dial Pointer	AF		LANGR0450AFZZ	Bracket, Front Chassis	AD
	JKNBM0136AFSE	Knob, Muting Switch (SA-5601, SA-5601C)	AC		LANGR0451AFZZ	Bracket, Tuner Unit	AE
	JKNBM0136AFSD	Knob, Muting Switch (SA-5605, SA-5605C)	AC		LANGR0452AFZZ	Bracket, Power Transformer Retaining	AM
	JKNBN0316AFSA	Knob, Volume Control (SA-5601, SA-5601C)	AK		LANGT0753AFZZ	Bracket, Chassis Left Hand Side	AE
	JKNBN0316AFSB	Knob, Volume Control (SA-5605, SA-5605C)	AK		LANGT0754AFZZ	Bracket, Chassis Right Hand Side	AF
	JKNBM0330AFSA	Knob, Function Selector Switch, Recording Output/ Tape Dabbing Selector Switch, Speaker Selector Switch (SA-5601, SA-5601C)	AH		LANGT0755AFZZ	Bracket, Power Amp P.W. Board Front Side	AF
	JKNBN0318AFSB	Knob, Function Selector Switch, Recording Output/ Tape Dabbing Selector Switch, Speaker Selector Switch (SA-5605, SA-5605C)	AH		LANGT0756AFZZ	Bracket, Power Amp P.W. Board Right Hand Side Retaining	AE
					LANGT0757AFZZ	Bracket, Heat Sink Retaining	AB
					LANGT0758AFZZ	Bracket, Dial Scale	AG
					LANGT0759AFZZ	Bracket, Power Meter	AD
					LANGT0760AFZZ	Bracket, Pulley	AB
					LBSHC0007AFZZ	Bushing, AC Cord	AB
					LHLDW1050AFZZ		AB
					LHLDW1066AFZZ	Wire Holder	AA
					LHLDW1068AFZZ		AA

Digitized By RidgeDweller  
 For Free Distribution  
 DO NOT PAY FOR THIS DOCUMENT

# PARTS LIST

REF. NO.	PART NO.	DESCRIPTION	CODE	REF. NO.	PART NO.	DESCRIPTION	CODE	
	LHLDW1075AFZZ	Wire Holder	AA		QPWBF0789AFZZ	P.W. Board, Tone Amp/Voltage Regulator (P.W. Board only)	-	
	LHLDW9002CEZZ		AA					
	LHLDW9003CEZZ		AA					
	LHLDZ1041AG00	Holder, FM Stereo Indicator and Opto Lock Indicator	AB		QPWBF0790AFZZ	P.W. Board, Main Amp	-	
	LX-BZ0211AFZZ	Screw, Acryl Plate of Dial Illumination	AA	SO901, SO902	QSOCA0402SGZZ	Socket, AC Outlets	AF	
	LX-BZ0220AFFF	Screw, AC Outlets Socket	AA	SO301	QSOCJ2262AFZZ	Socket, TAPE 1 (REC and PB (P))	AE	
	LX-HZ0001SGFD	Screw, Electrolytic Capacitor Retaining	-	SO302	QSOCJ2264AFZZ	Socket, TAPE 2 (REC and PB (P))	AE	
	LX-HZ0053AFFD	Screw, P.W. Board Retaining	-					
	LX-HZ0056AFFD	Screw, Cabinet (SA-5601, SA-5605)	-	SO303	QSOCJ2264AFZZ	Socket, Input (AUX (P))	AD	
	LX-HZ0064AFFF	Screw, Cabinet	-					
	LX-LZ0055AF00	Push Rivet, LED Printed Wiring Board Retaining	-	SO304	QSOCZ2472AFZZ	Socket, Input (Phono-1, Phono-2)	AH	
	LX-NZ0118AFFD	Nut, Function Selector Switch, Speaker Selector Switch and REC Out Selector Switch	AA	SW201	QSW-B0063AFZZ	Band Selector Switch	AH	
	LX-NZ0127AFFW	Hexagon Head Cap Screw, Speaker Selector Switch Shaft and Function Selector Switch Shaft	AD	SW202	QSW-B0051AFZZ	Air Check Calibration Switch	AK	
	LX-NZ0120AFFD	Nut, Power Trans Retaining	AA	SW203	QSW-B0051AFZZ	FM Muting Switch	AK	
	LX-WZ0019AFFW	Washer, Ground Terminal	AA	SW204	QSW-B0051AFZZ	Hi-Blenda Switch	AK	
	LX-WZ3061AFZZ	Washer, Function Selector Switch and Speaker Selector Switch	AA	SW205	QSW-B0051AFZZ	Mode Selector Switch	AK	
	LX-WZ9059AFZZ	Washer, Acryl Plate of Dial Illumination	AA	SW301	QSW-R0157AFZZ	Function Selector Switch	AM	
	NSPRT0386AFFJ	Spring, Dial Illumination	AB	SW302	QSW-B0073AFZZ	Tape Monitor Switch	AH	
	NDRM-0150AFZZ	Drum, Dial Cord	AF	SW303	QSW-B0051AFZZ	Phono Input Selector Switch	AK	
	NPLYB0001SGZZ	Pully, Dial Cord	AB	SW304	QSW-R0156AFZZ	REC Out Selector Switch	AQ	
	NPLYC0101AFFD	Shaft, Pully	AA	SW401	QSW-P0190AFZZ	Audio Muting Switch	AG	
	NSFTD0186AFFW	Tuning Shaft with Flywheel	AM	SW402	QSW-B0051AFZZ	Loudness Switch	AK	
	PCOVU3116AFZZ	Shading Plate (Lower side)	AC	SW403	QSW-B0051AFZZ	Low Cut Filter Switch	AK	
	PCOVU9108AFZZ	Shading Plate (Upper side)	AA	SW404	QSW-B0051AFZZ	High Cut Filter Switch	AK	
	PCUSU0224AFZZ	Cushion, Meter	AA	SW901	QSW-B9075AFZZ	Power Switch	AN	
	PRDAR0101AFFW	Heat Sink (Small)	AB	SW902	QSW-P0189AFZZ	Tuner Switch	AL	
	PRDAR0153AFZZ	Heat Sink (Medium)	AC	SW903	QSW-R0185AFZZ	Speaker Selector Switch	AD	
	PRDAR0178AFZZ	Heat Sink (Large)	AX		QTANN0150AFZZ	Ground Terminal	AD	
	PREFL0067AFZZ	Acryl Plate, Dial Illumination	-		QTANN0453AFZZ	Antenne Terminals, FM (75ohm and 300ohm) and AM	AH	
	PREFL0068AFZZ	Acryl Plate, Power Meter Illumination	-	SO901, SO902, SO903	QTANZ0455AFZZ	Speakers Terminals	AG	
	PSHEF0110AFZZ	Felt, Lever Switch	AA	PL901	RLMPM0101AFZZ	Lamp 8V 0.3A	AF	
	PSHEF0114AF00	Felt, Lever Switch	AA	PL902, PL903	RLMPM0097AFZZ	Lamp 8V 0.3A 145mm	AF	
	PSPAG0063AF00	Cushion	AA	PL904	RLMPM0098AFZZ	Lamp 8V 0.3A 275mm	AF	
	PSPAS0008SGSA	Spacer, Audio Muting Switch (SA-5601, SA-5601C)	AB	PL905	RLMPM0099AFZZ	Lamp 8V 0.3A 370mm	AF	
	PSPAS0008SGSB	Spacer, Audio Muting Switch (SA-5605, SA-5605C)	AB	PL906	RLMPM0100AFZZ	Lamp 8V 0.3A 475mm	AF	
	PSPAS0054AFZZ	Spacer, Headphones Jack	AC	M901	RMTRL0179AFZZ	Signal Meter	AR	
	PSPAS0066AF00	Spacer, Tuning Switch	AA	M902	RMTRL0178AFZZ	Tuning Meter	AR	
	PSPAS0070AFZZ	Spacer, Tuning Control Shaft	AA	M903, M904	RMTRL0177AFZZ	Power Meter	AR	
	QACCU0052AFZZ	AC Cord with Plug	AG	RLY601	RRLYZ0050AFZZ	Relay, DC 24V, Protection Circuit	AW	
	QANTW0051AFZZ	FM Antenna	AH					
F602	QFS-B202AAFNB	Fuse, 2.0A 125V	AE	RTUNF0064AFZZ	FM, Tuner Unit		BF	
F601	QFS-B702AAFNB	Fuse, 7.0A 125V	AH	SPAKA0545AFZZ	Packing Add		AK	
J601	QFSDH1001SEZZ	Holder, Fuse	AA	SPAKC1207AFZZ	Packing Case (SA-5601)		AP	
	QJAKJ0057AFZZ	Jack, Headphone	AG	SPAKC1251AFZZ	Packing Case (SA-5601C)		-	
	QLUGZ011AAFZZ	Lug, Grounding	AA	SPAKC1208AFZZ	Packing Case (SA-5605)		-	
	QLUGZ016AAFZZ	Jumper, AC Outlets Socket	AA	SPAKC1261AFZZ	Packing Case (SA-5605C)		-	
	QPWBF0788AFZZ	P.W. Board, Tuner/EQ Amp (P.W. Board only)	-	SSAKA0007SEZZ	Polyethylene Bag		AA	
				SSAKZ0056AFZZ	Dust Cover		AG	
				TINSE0584AFZZ	Operation Manual (SA-5601, SA-5605)		AH	
				TINSK0033AFZZ	Operation Manual (SA-5601C, SA-5605C)		-	

Digitized By RidgeDweller  
 For Free Distribution  
 DO NOT PAY FOR THIS DOCUMENT

Digitized By RidgeDweller  
For Free Distribution  
DO NOT PAY FOR THIS DOCUMENT

## SHARP CORPORATION OSAKA, JAPAN

## SHARP ELECTRONICS CORPORATION

Executive Office:

10 Keystone Place, Paramus, New Jersey 07652 (201) 265-5600

Regional Offices & Distribution Centers:

2 Keystone Place Paramus, New Jersey 07652 (201) 262-9000  
21580 Wilmington Ave., Long Beach, Calif. 90810 (213) 830-4470

U.S. Subsidiary of Sharp Corporation, Osaka, Japan

Parts Centers:

P.O. Box 664 Paramus, New Jersey 07652 (201) 262-9000  
P.O. Box 20394 Long Beach, Calif. 90801 (213) 830-4470