



# SERVICE MANUAL

SERVICE MANUAL

MODEL: M2

# SERVICE MANUAL

**M2 C/AH**  
Direct Digital Amplifier

**M2 C/AH**  
Direct Digital Amplifier

**M2 C/AH**  
Direct Digital Amplifier

© NAD 2010

NAD ELECTRONICS INTERNATIONAL  
TORONTO

# CONTENTS

FRONT PANEL/REAR PANEL VIEW.....	3
SPECIFICATIONS.....	4
TROUBLE SHOOTING.....	5-6
SCHEMATIC DIAGRAM.....	7-25
PCB LAYOUT.....	26-37
ELECTRICAL PARTS LIST.....	38-66
EXPLODED VIEW.....	67-68
EXPLODED VIEW PARTS LIST.....	69
PACKING DIAGRAM.....	70
PACKING PARTS LIST.....	71
DISMANTLING AMPLIFIER.....	72-75
IMPORTANT FINAL PROCEDURE.....	75

## SERVICE SAFETY PRECAUTIONS

### 1. Replacing the Fuses

**CAUTION:** FOR CONTINUED PROTECTION AGAINST THE RISK OF FIRE REPLACE ONLY WITH SAME TYPE OF FUSE.

REFERENCE NO.	PART NUMBER	DESCRIPTION
<b>Rear Panel</b>		
AC Inlet ▲	A20-12103-00	Littelfuse 618 T10AL/250V
<b>POWER SUPPLY Board Upper</b>		
FUSE701	A20-12102-00	Littelfuse 618 T1AL/250V
<b>POWER SUPPLY Board Lower</b>		
FUSE800	A20-12312-02	Littelfuse 618 T3.15AL/250V

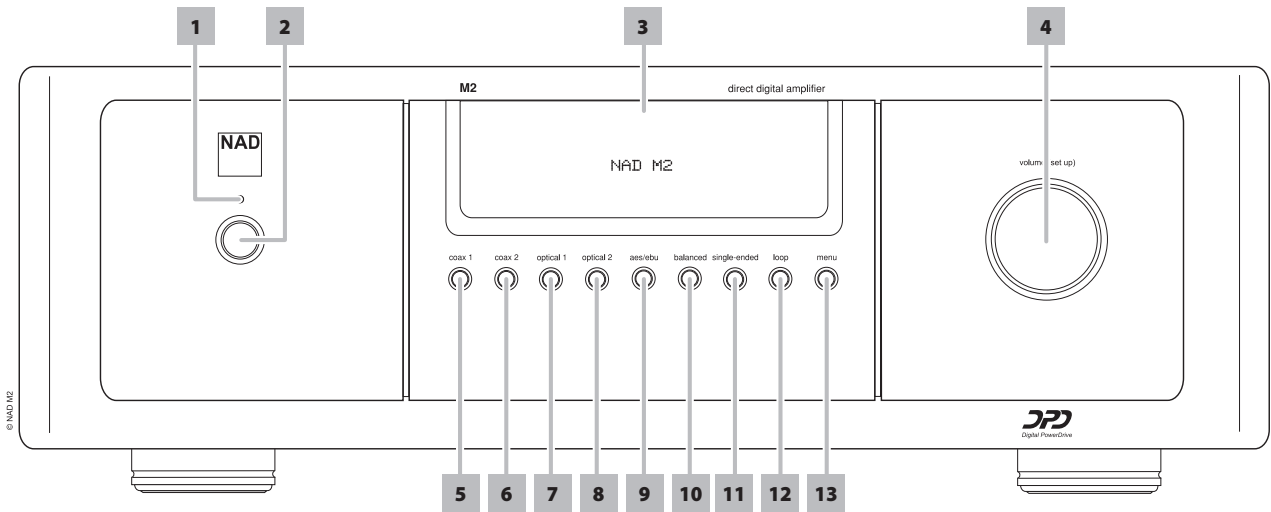
### 2. Safety-check out (North American model only)

Before returning the product to the customer, make leakage current or resistance measurements to determine that exposed parts are acceptably insulated from the supply circuit.

Parts marked with the symbol ▲ are critical with regard to the risk of fire and electric shock. Replace only parts recommended by the manufacturer.

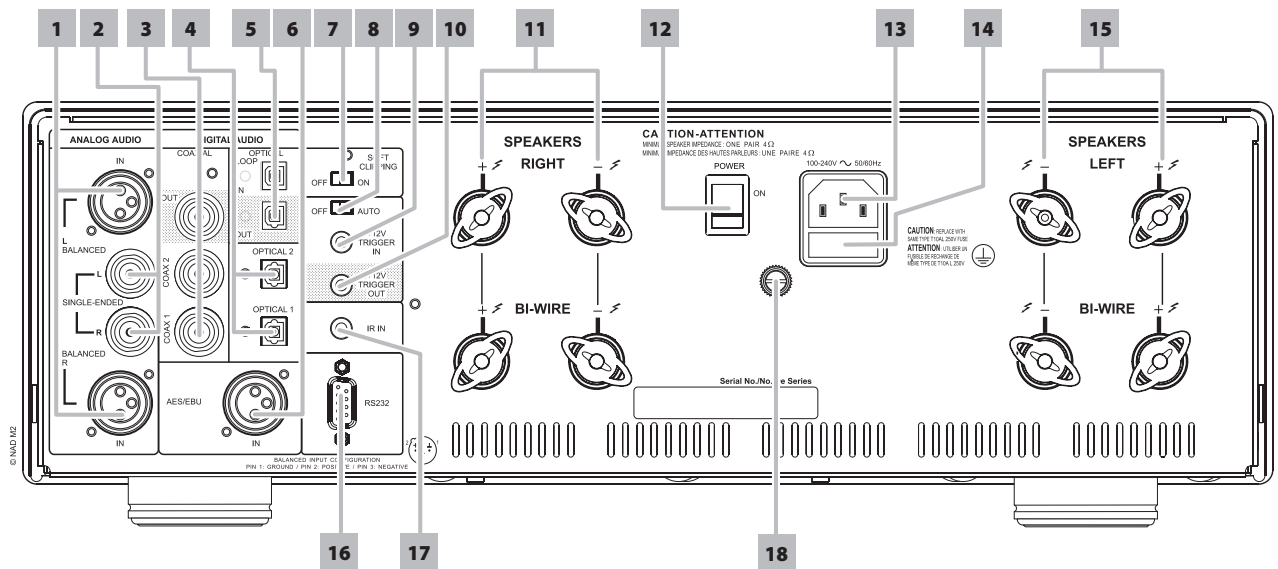
# FRONT PANEL AND REAR PANEL VIEW

## FRONT PANEL CONTROLS



- |                                    |                                  |
|------------------------------------|----------------------------------|
| 1 STANDBY LED                      | 8 OPTICAL 2                      |
| 2 STANDBY BUTTON                   | 9 AES/EBU                        |
| 3 VACUUM FLUORESCENT DISPLAY (VFD) | 10 BALANCED                      |
| 4 VOLUME                           | 11 SINGLE-ENDED                  |
| 5 COAX 1                           | 12 LOOP (DIGITAL PROCESSOR LOOP) |
| 6 COAX 2                           | 13 MENU                          |
| 7 OPTICAL 1                        |                                  |

## REAR PANEL CONTROLS



- |                                                                   |                     |
|-------------------------------------------------------------------|---------------------|
| 1 BALANCED                                                        | 9 +12V TRIGGER IN   |
| 2 SINGLE-ENDED                                                    | 10 +12V TRIGGER OUT |
| 3 DIGITAL AUDIO (COAX 1-2)                                        | 11 RIGHT SPEAKERS   |
| 4 DIGITAL AUDIO (OPTICAL 1-2)                                     | 12 POWER SWITCH     |
| 5 DIGITAL AUDIO OPTICAL LOOP (OPTICAL LOOP OUT, OPTICAL, LOOP IN) | 13 AC MAINS INPUT   |
| 6 AES/EBU IN                                                      | 14 FUSE HOLDER      |
| 7 DIGITAL SOFT CLIPPING™                                          | 15 LEFT SPEAKERS    |
| 8 OFF/AUTO TRIGGER SWITCH                                         | 16 RS-232           |
|                                                                   | 17 IR IN            |
|                                                                   | 18 GROUND TERMINAL  |

# SPECIFICATIONS

## ANALOG INPUT (BALANCED, SINGLE-ENDED)

Input impedance	36 k $\Omega$ /200 pF
Input sensitivity	296 mV (ref.100W) 418 mV (ref. rated power)
Maximum input level	5.6 Vrms (at -9dB level trim setting)
Frequency response (A/D Converter section)	$\pm 0.3$ dB (ref. 10 Hz - FS/2; FS = 48 kHz, 96 kHz, 192 kHz)

## DIGITAL INPUT (COAXIAL, OPTICAL, AES/EBU)

Input impedance	75 $\Omega$ (coaxial) 110 $\Omega$ (AES/EBU)
Sample rate	32 kHz to 192 kHz

## GENERAL SPECIFICATIONS

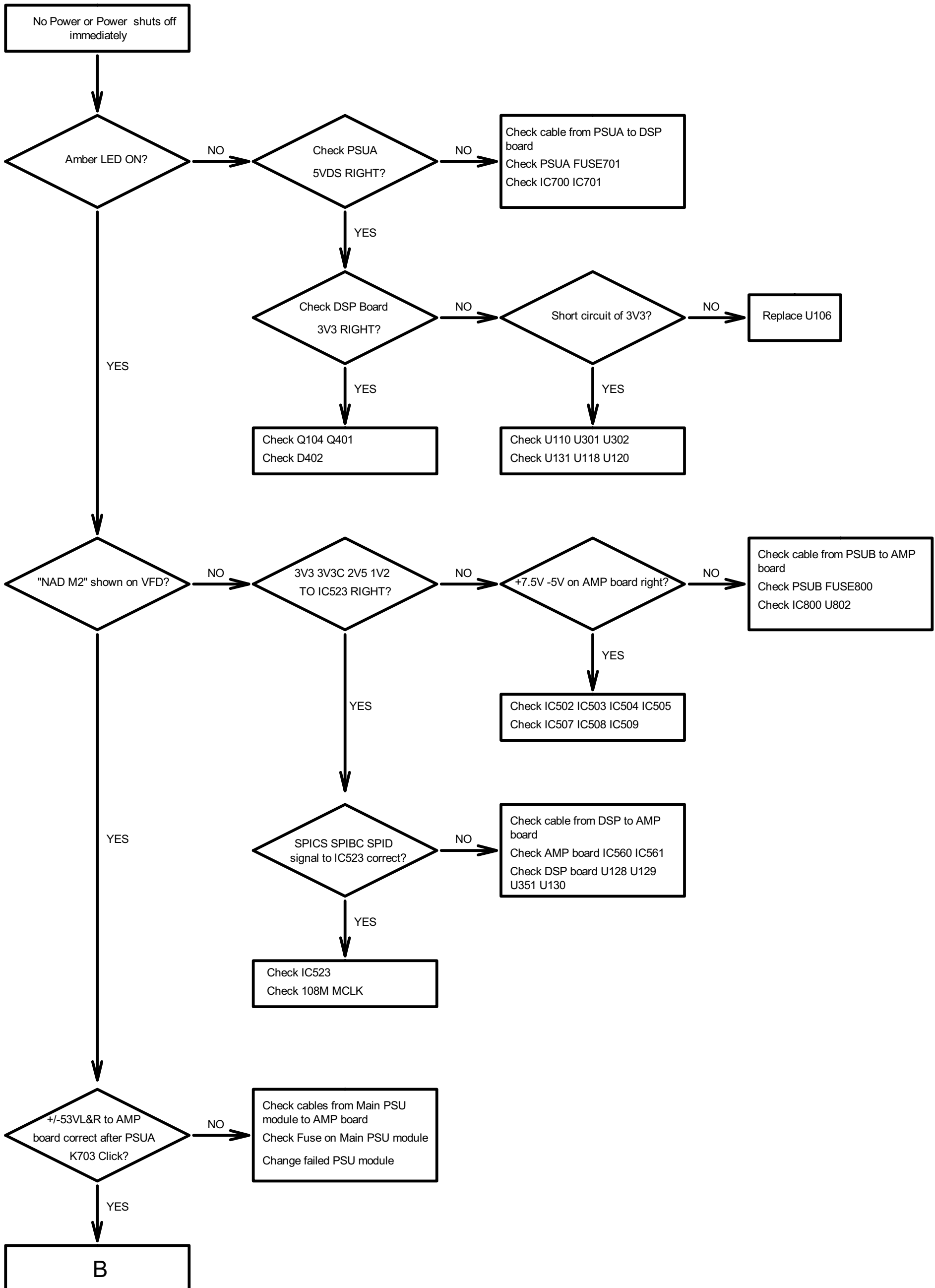
Continuous output power (ref. 20 Hz– 20 kHz, rated THD+N) - 8 $\Omega$	$\geq 200$ W
4 $\Omega$	$\geq 250$ W
2 $\Omega$	$\geq 300$ W
Rated distortion (SMPTE/CCIF IM, T.I.M distortion)	<0.01% (ref. 100mW - rated power)
Rated distortion (THD+N, with AES17 and AP passive 20kHz LP filters)	<0.02% (ref. 20Hz-20kHz, 100mW - rated power)
Clipping power	>250W (ref. 1 kHz, 8 $\Omega$ , 0.1% THD)
IHF Dynamic power - 8 $\Omega$	$\geq 300$ W
4 $\Omega$	$\geq 450$ W
2 $\Omega$	$\geq 600$ W
Maximum output current	>27A
Signal/Noise ratio	>95dB (A-weighted, ref. 1W) >118dB (A-weighted, ref. 200W)
Damping factor	>2000 (ref. 20Hz - 200Hz)
Frequency response	$\pm 0.3$ dB (ref. 10 Hz - FS/2; FS = 32 kHz, 96 kHz, 192 kHz)
Channel separation	>90dB (ref. 10 kHz, 4 $\Omega$ , 1/3 rated power)
Power Consumption	
Normal operation	500W (ref. 100 - 240V AC 50/60 Hz)
Standby power	<1W
Idle power	<100W

## DIMENSION AND WEIGHT

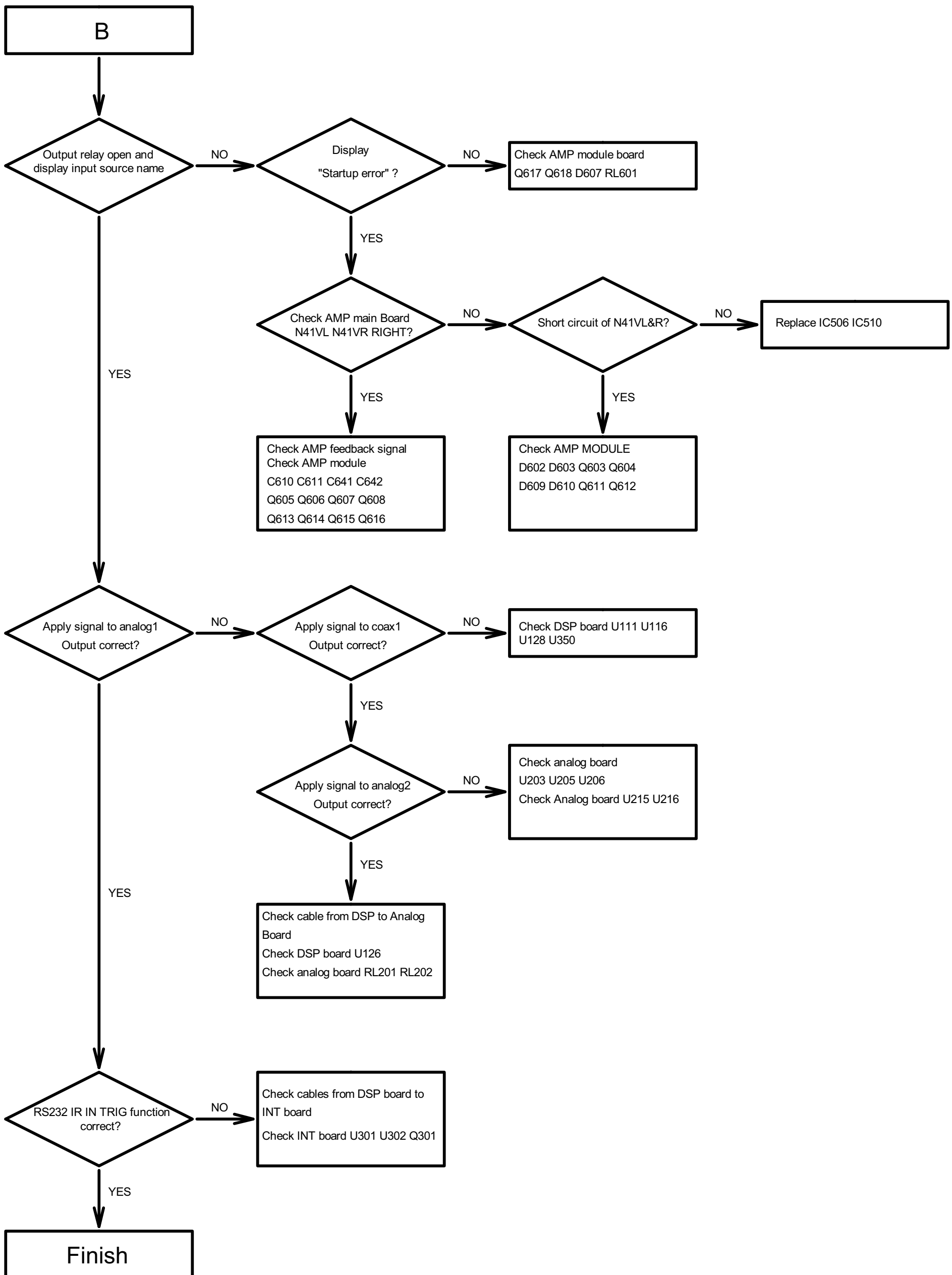
Dimensions (W x H x D)	435 x 133 x 454 mm (Net) 435 x 148 x 502 mm (Gross*)
Net weight	20.2 kg
Shipping weight	25.8 kg

\* - Gross dimensions include feet, volume knob and extended speaker terminals.

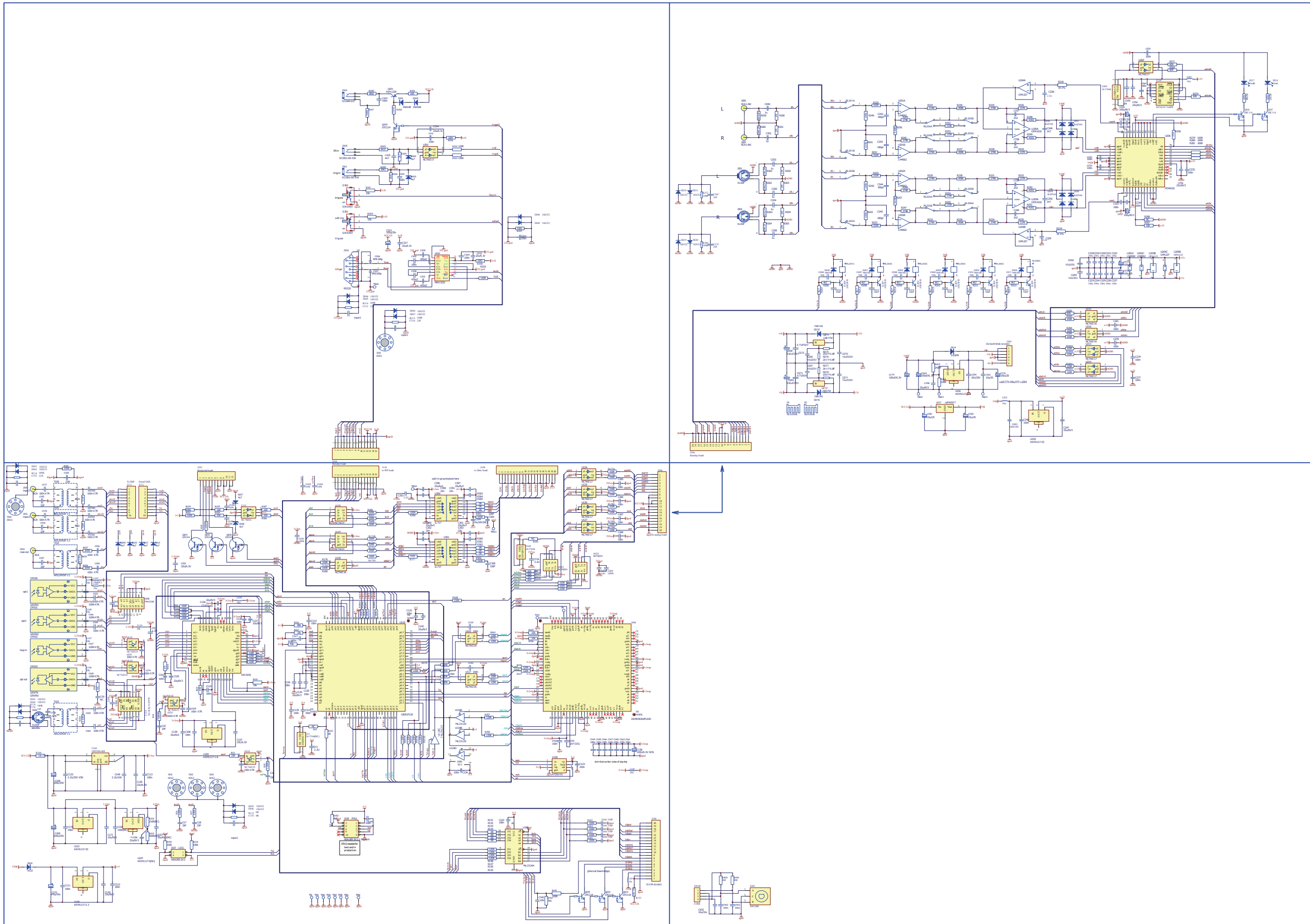
# TROUBLE SHOOTING



# TROUBLE SHOOTING

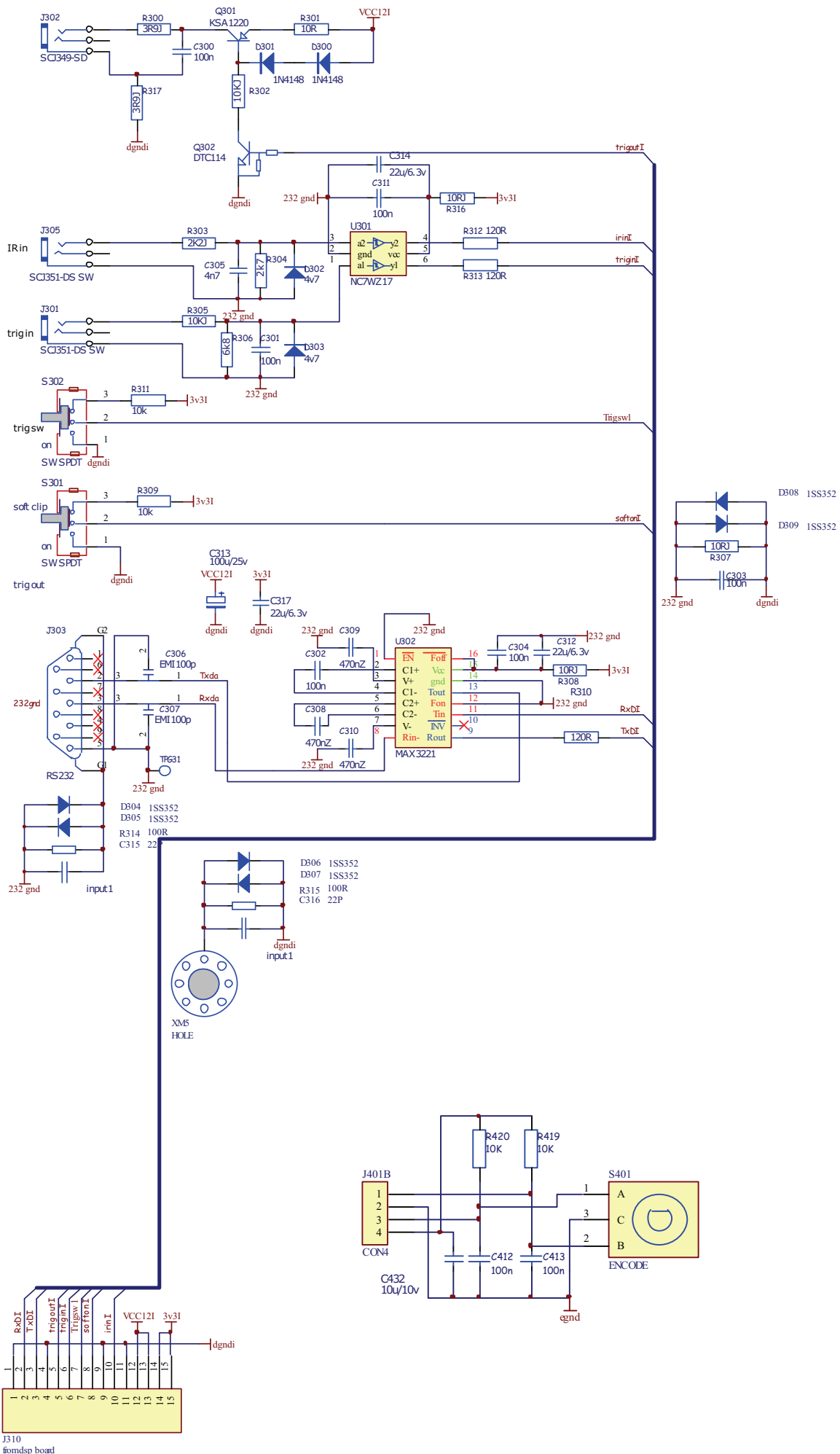


# SCHEMATICS DIAGRAM (A, B, C)

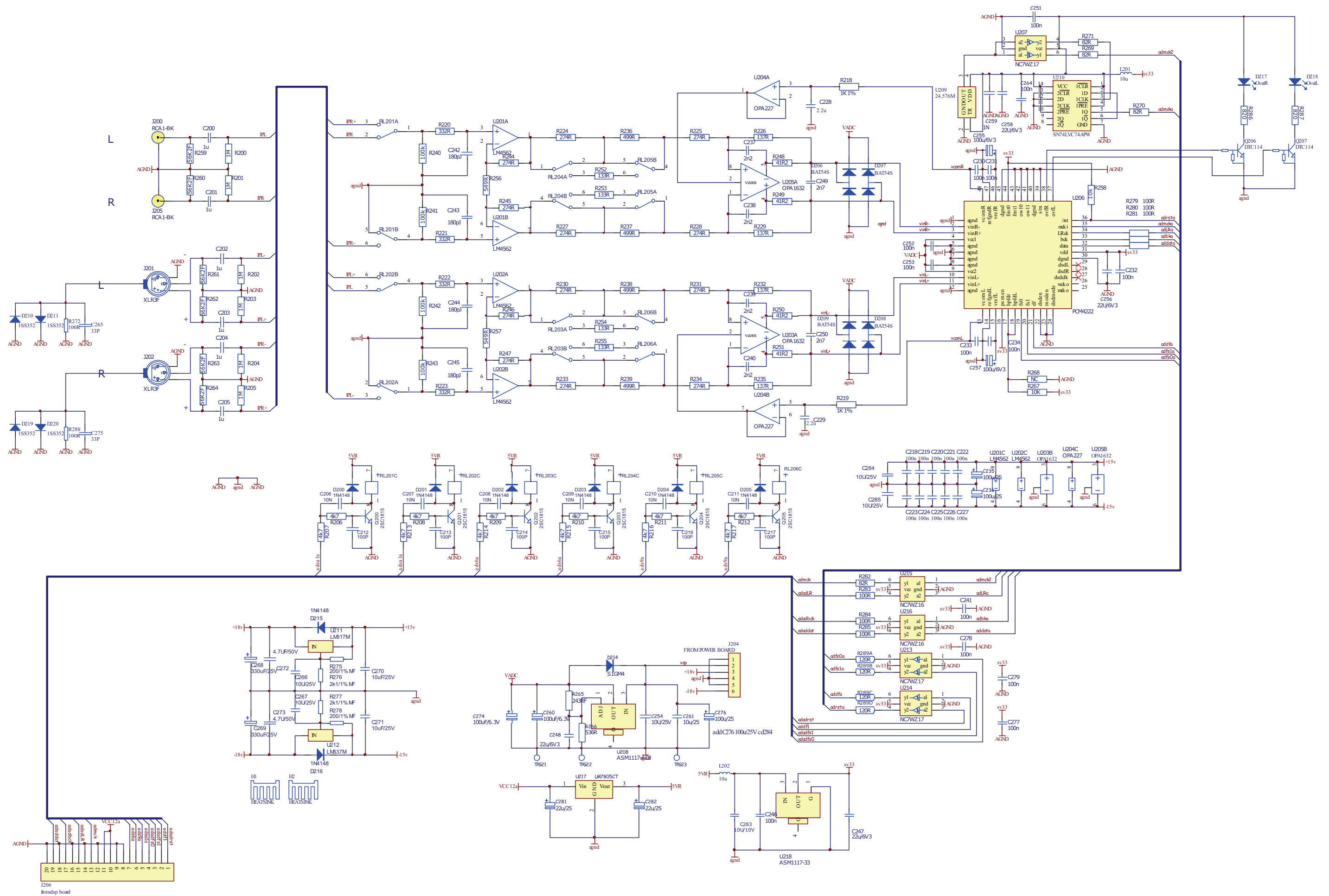




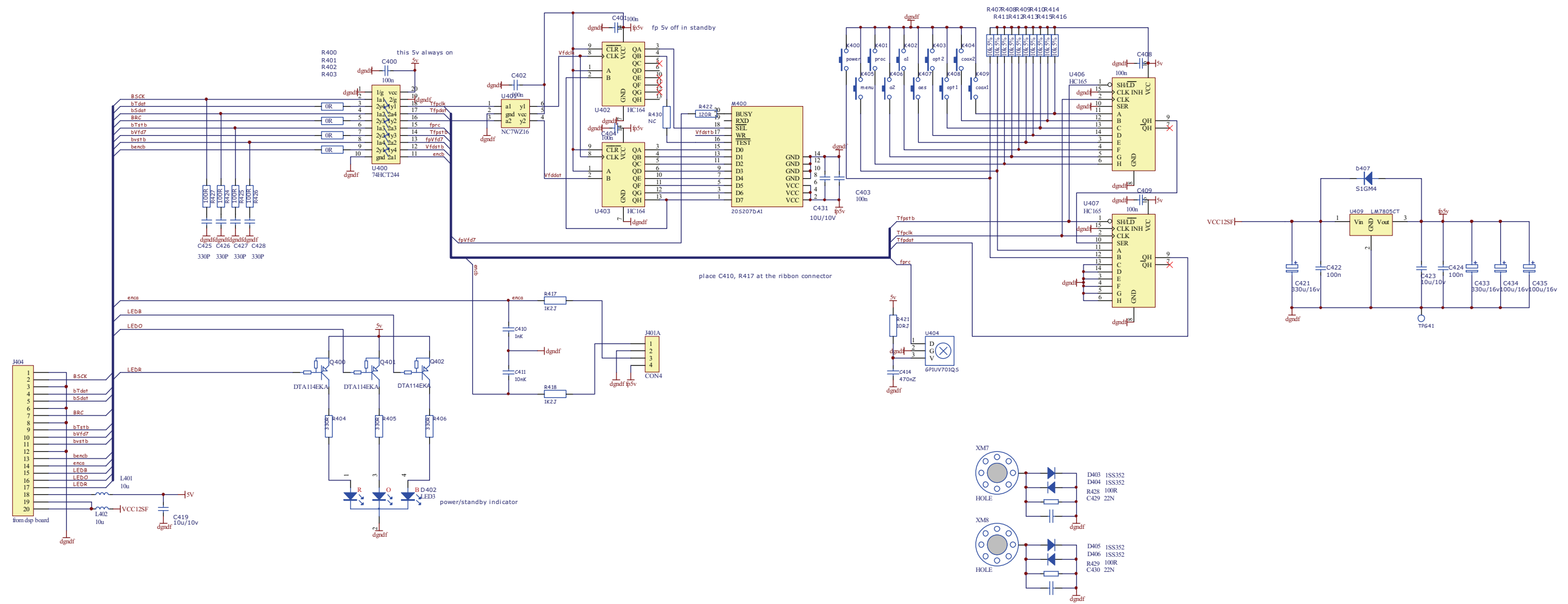
# SCHEMATICS DIAGRAM B



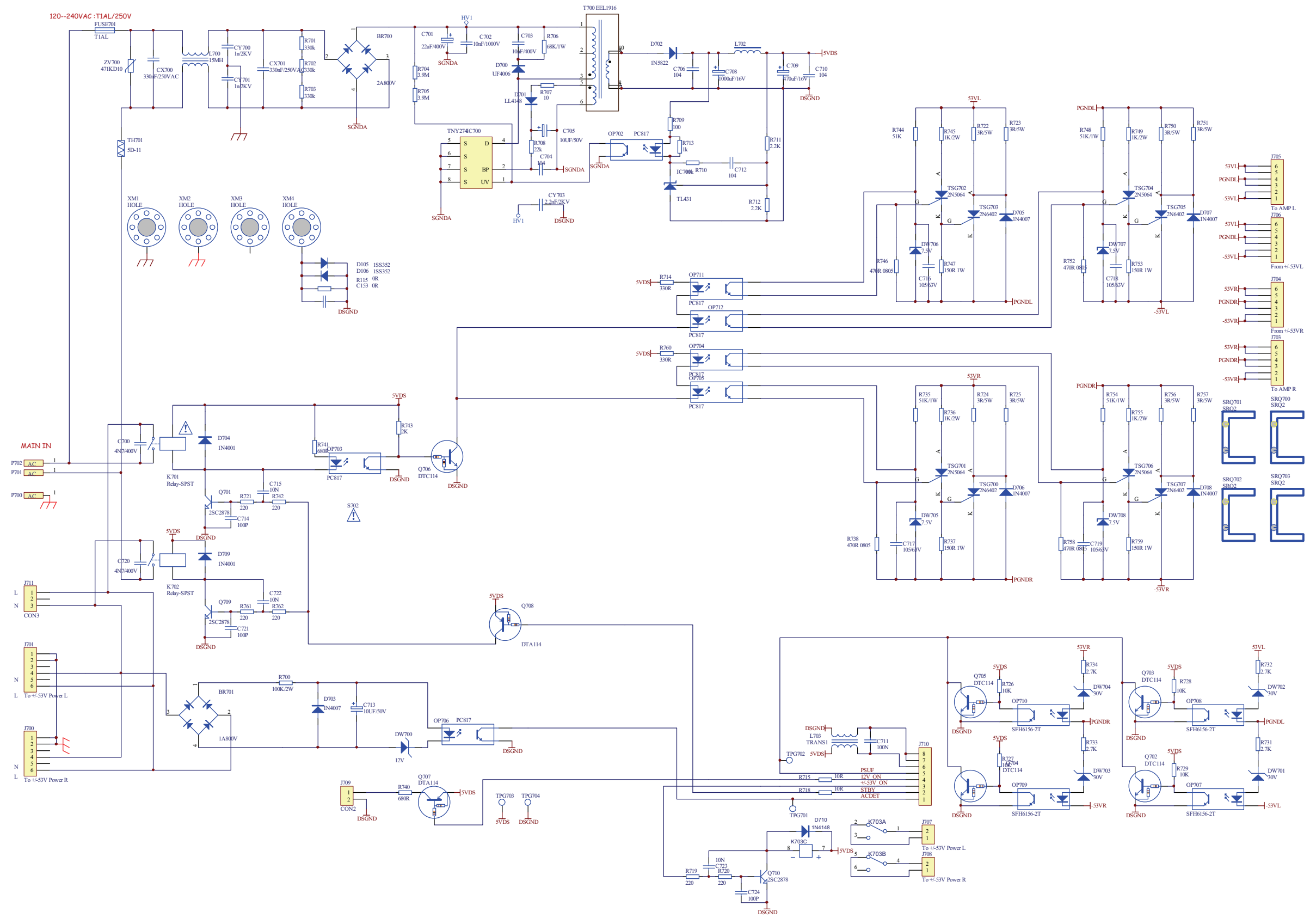
# SCHEMATICS DIAGRAM C



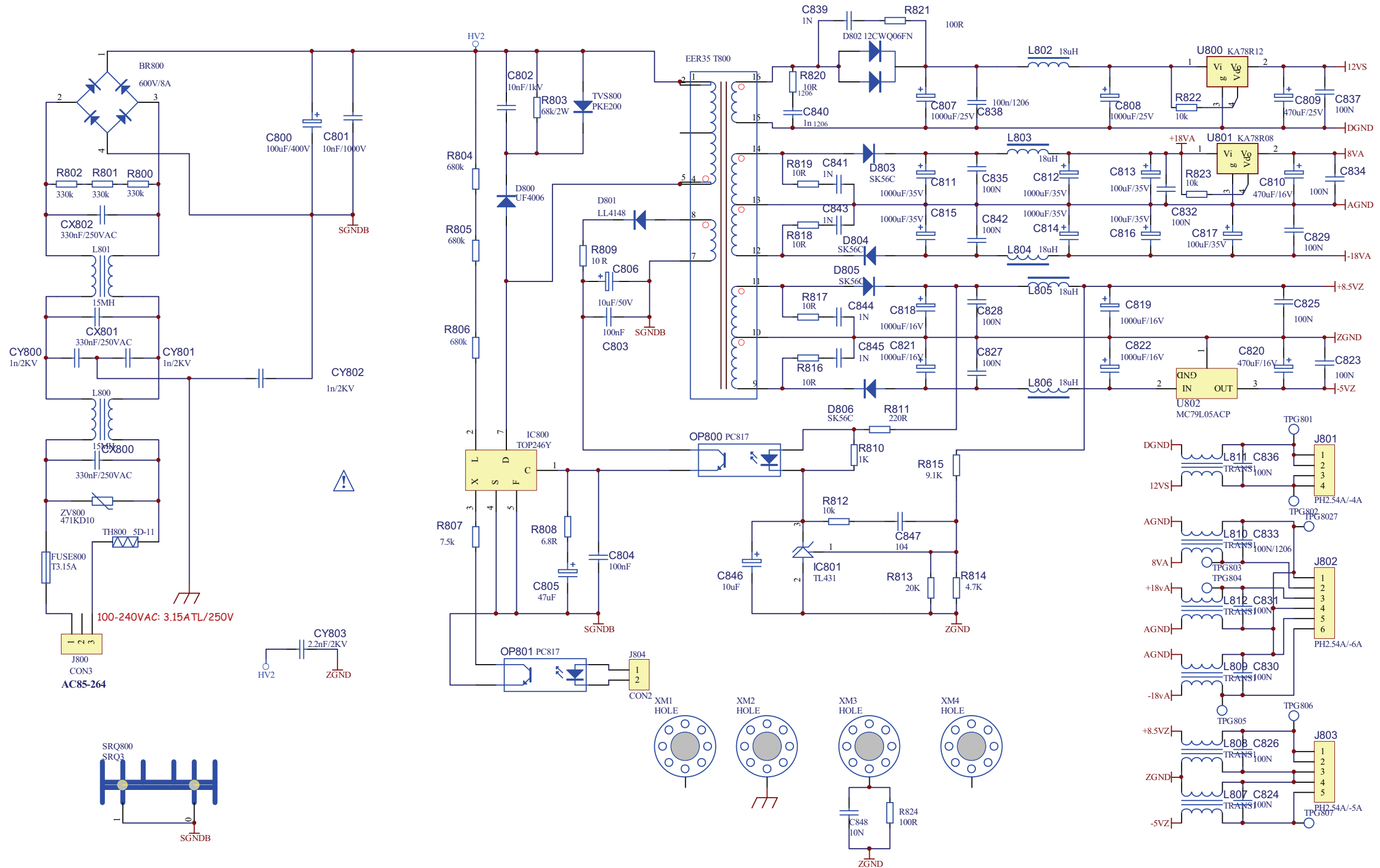
# SCHEMATICS DIAGRAM



# SCHEMATICS DIAGRAM

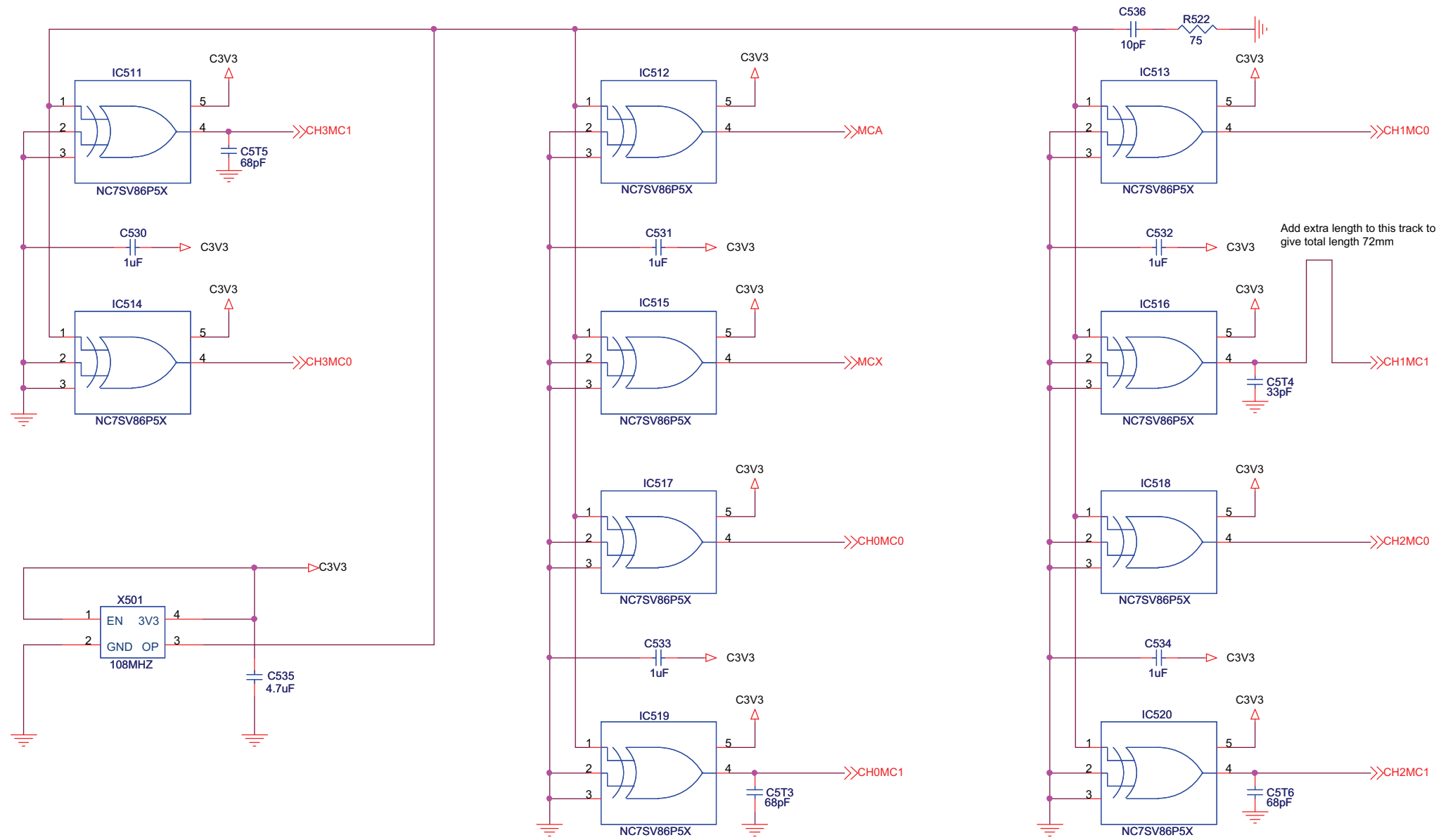


# SCHEMATICS DIAGRAM





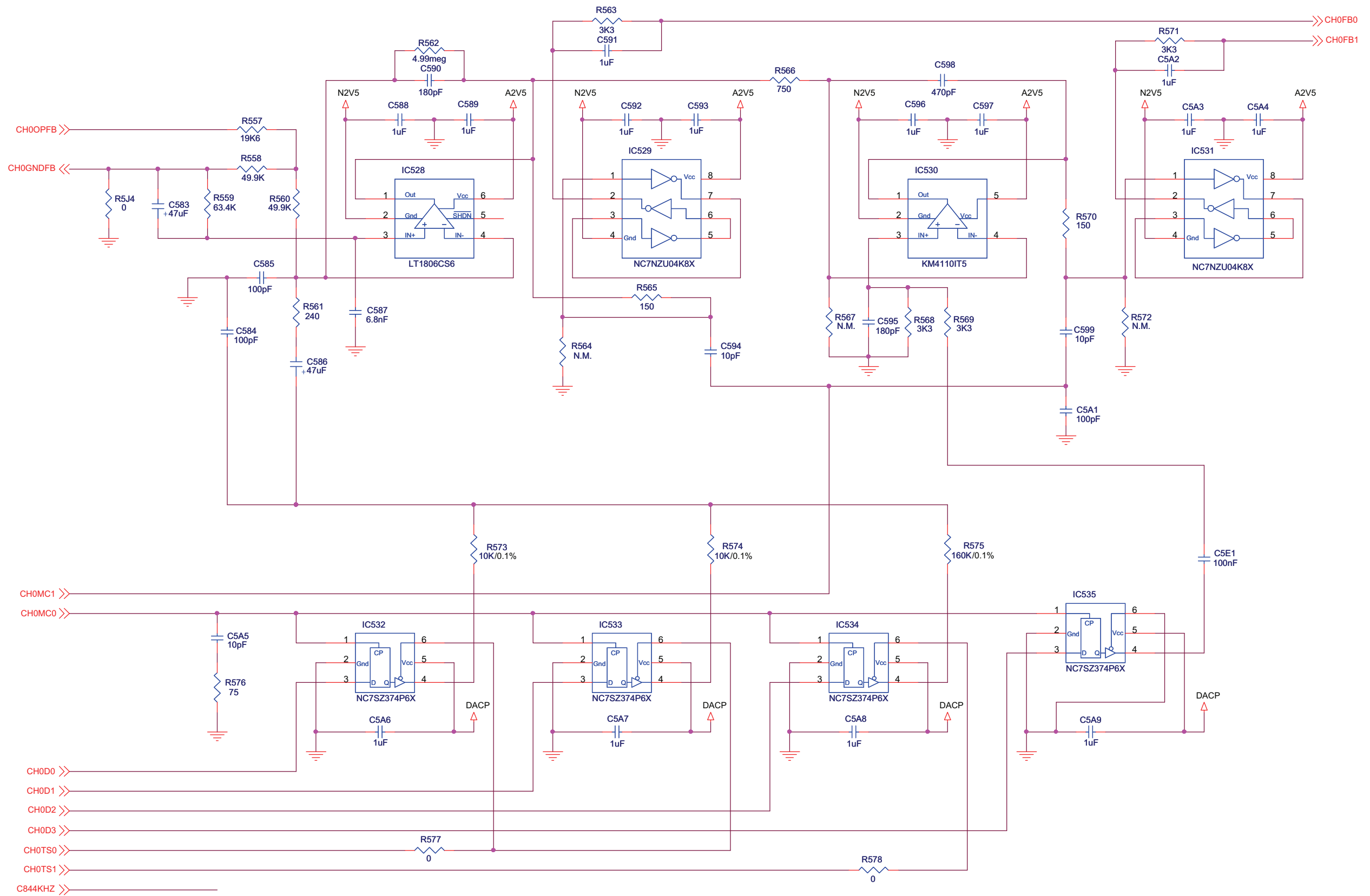
# SCHEMATICS DIAGRAM



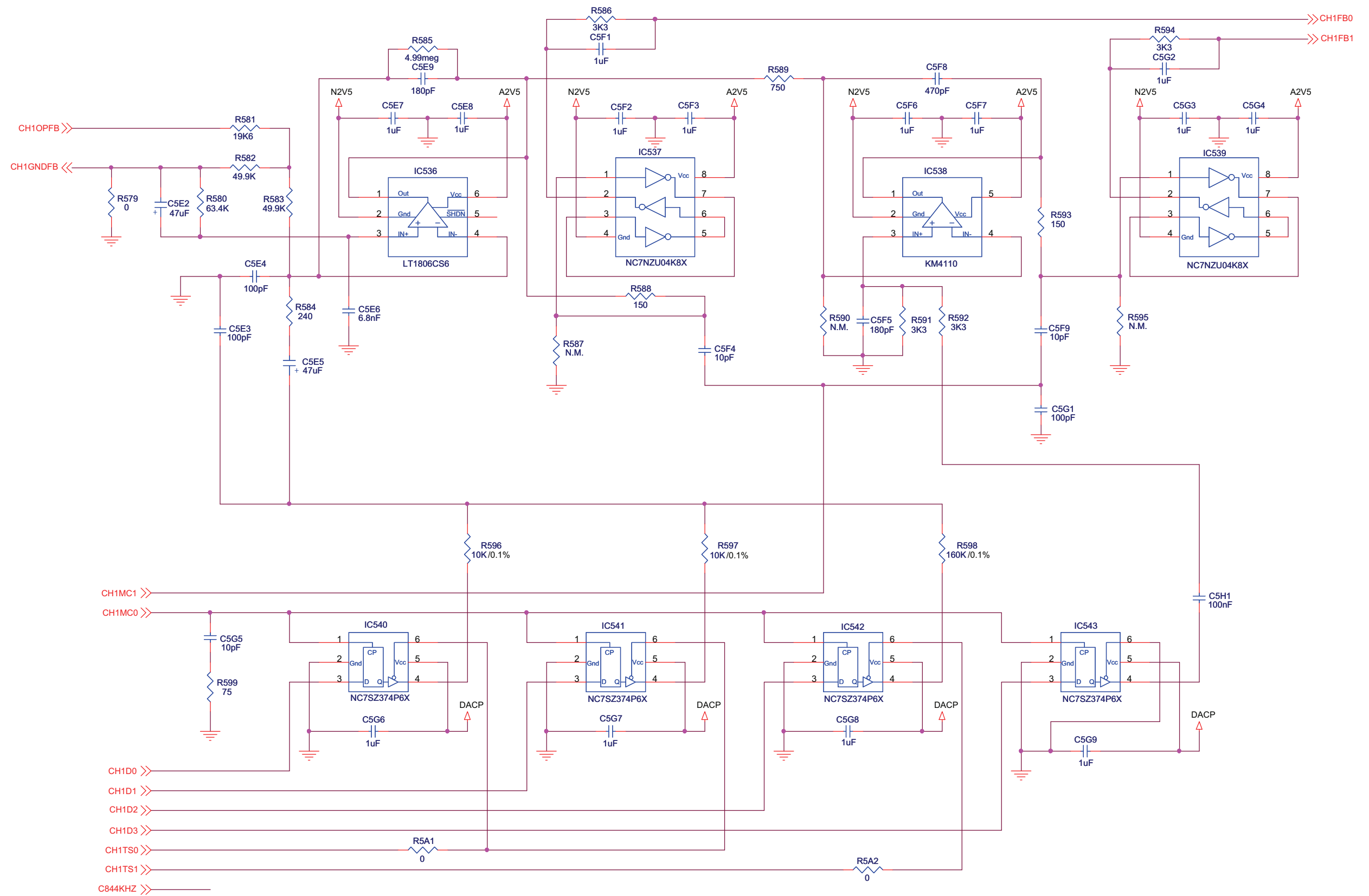




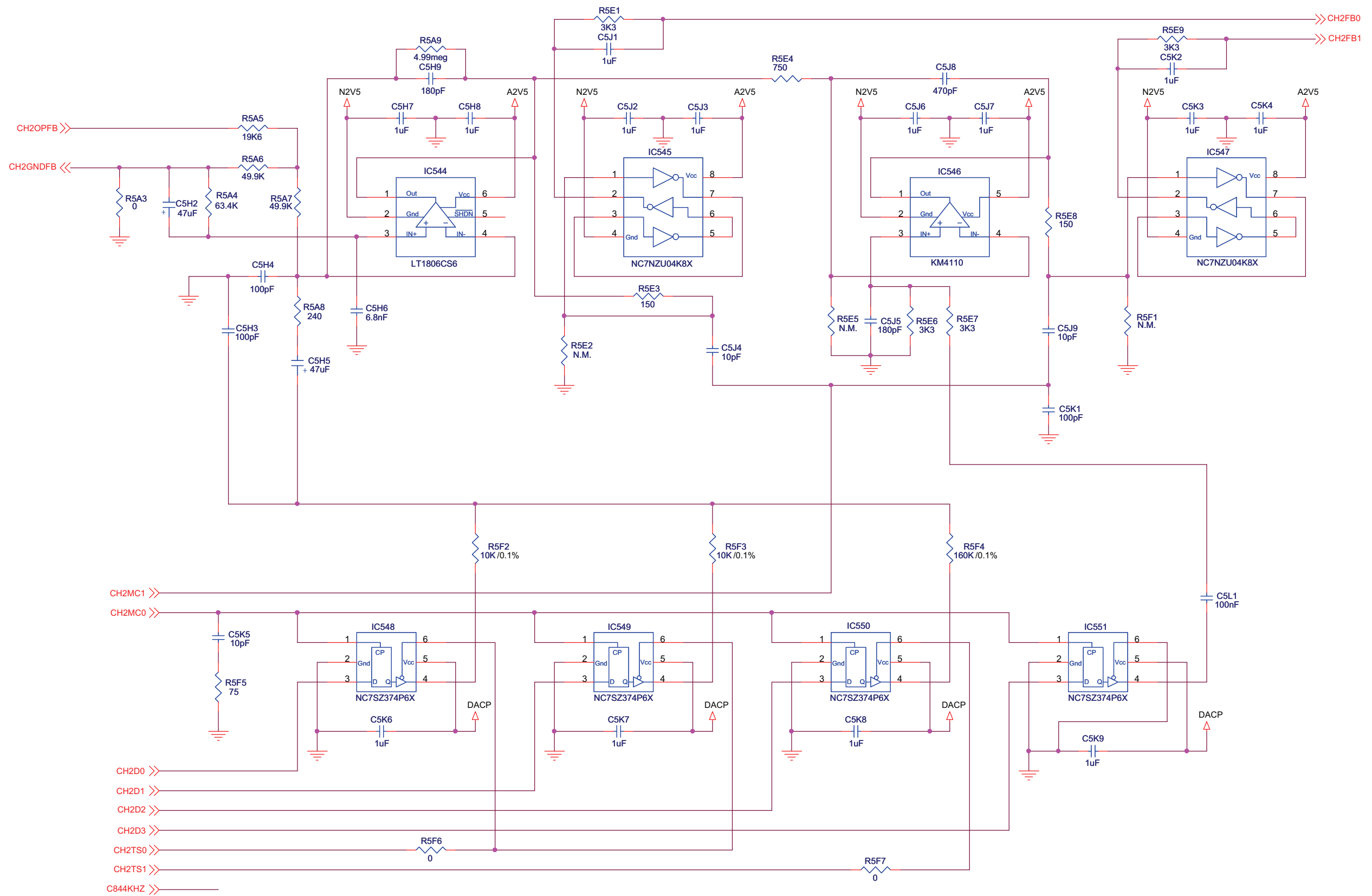
# SCHEMATICS DIAGRAM



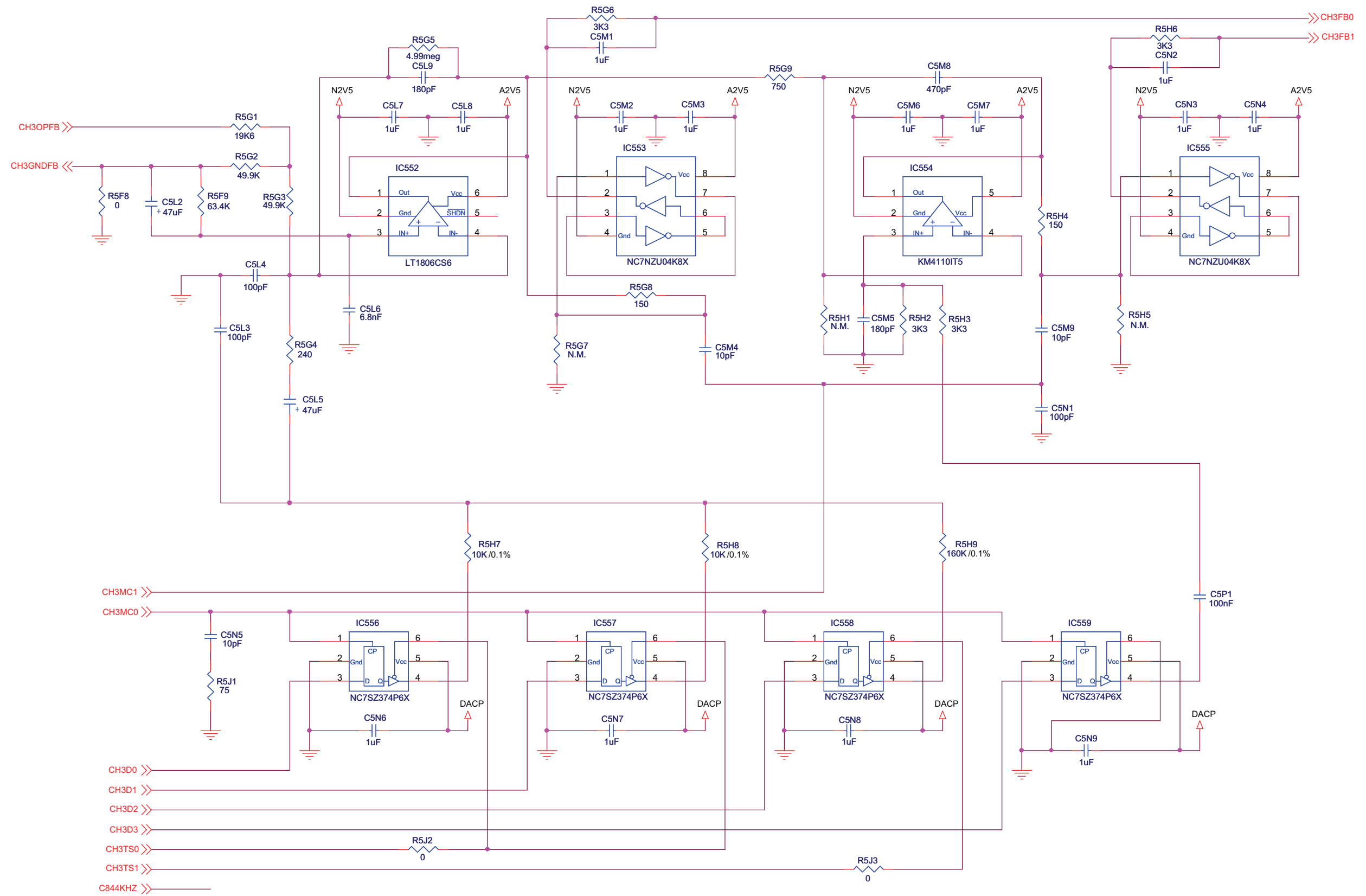
# SCHEMATICS DIAGRAM



# SCHEMATICS DIAGRAM

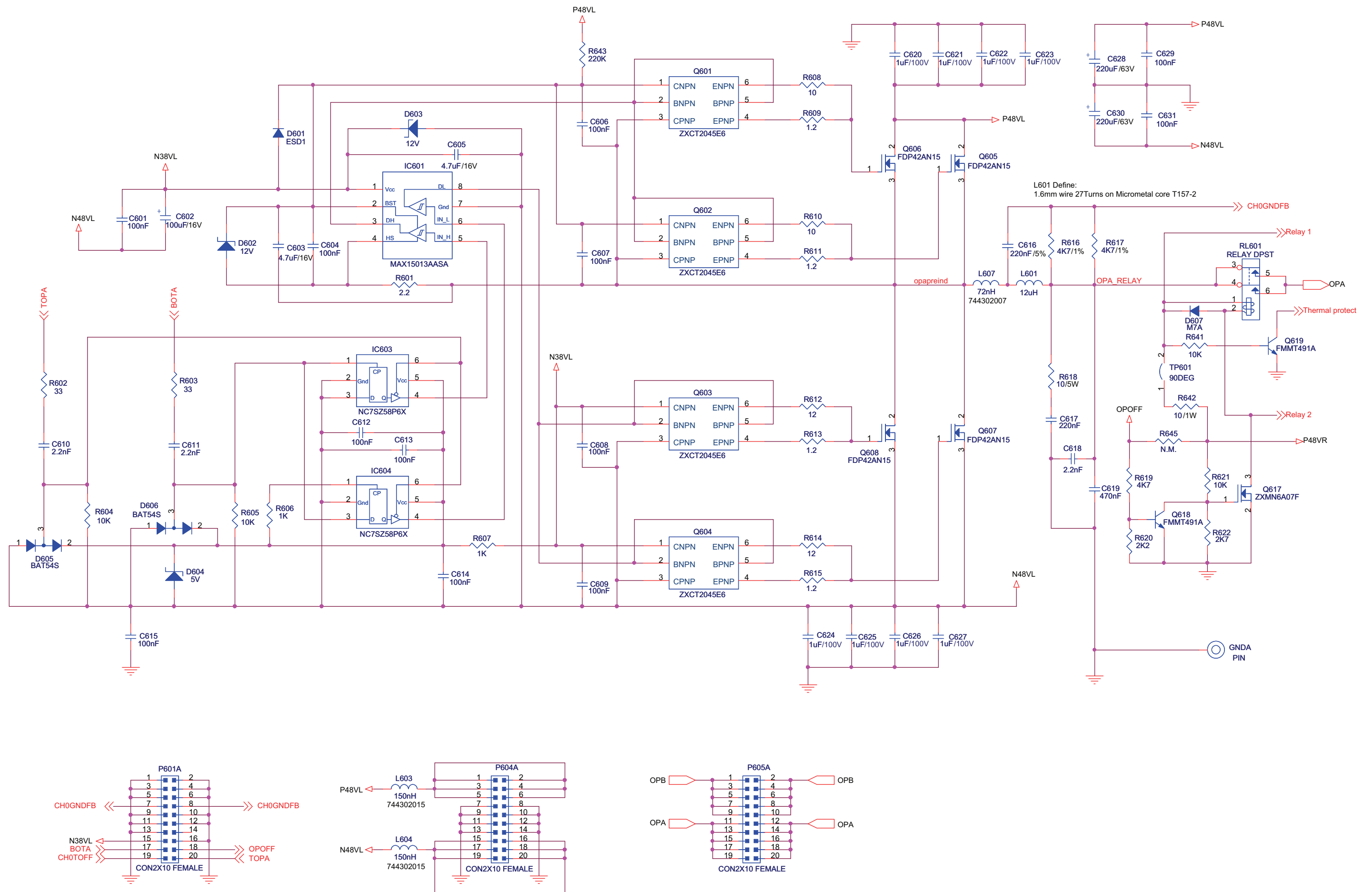


# SCHEMATICS DIAGRAM

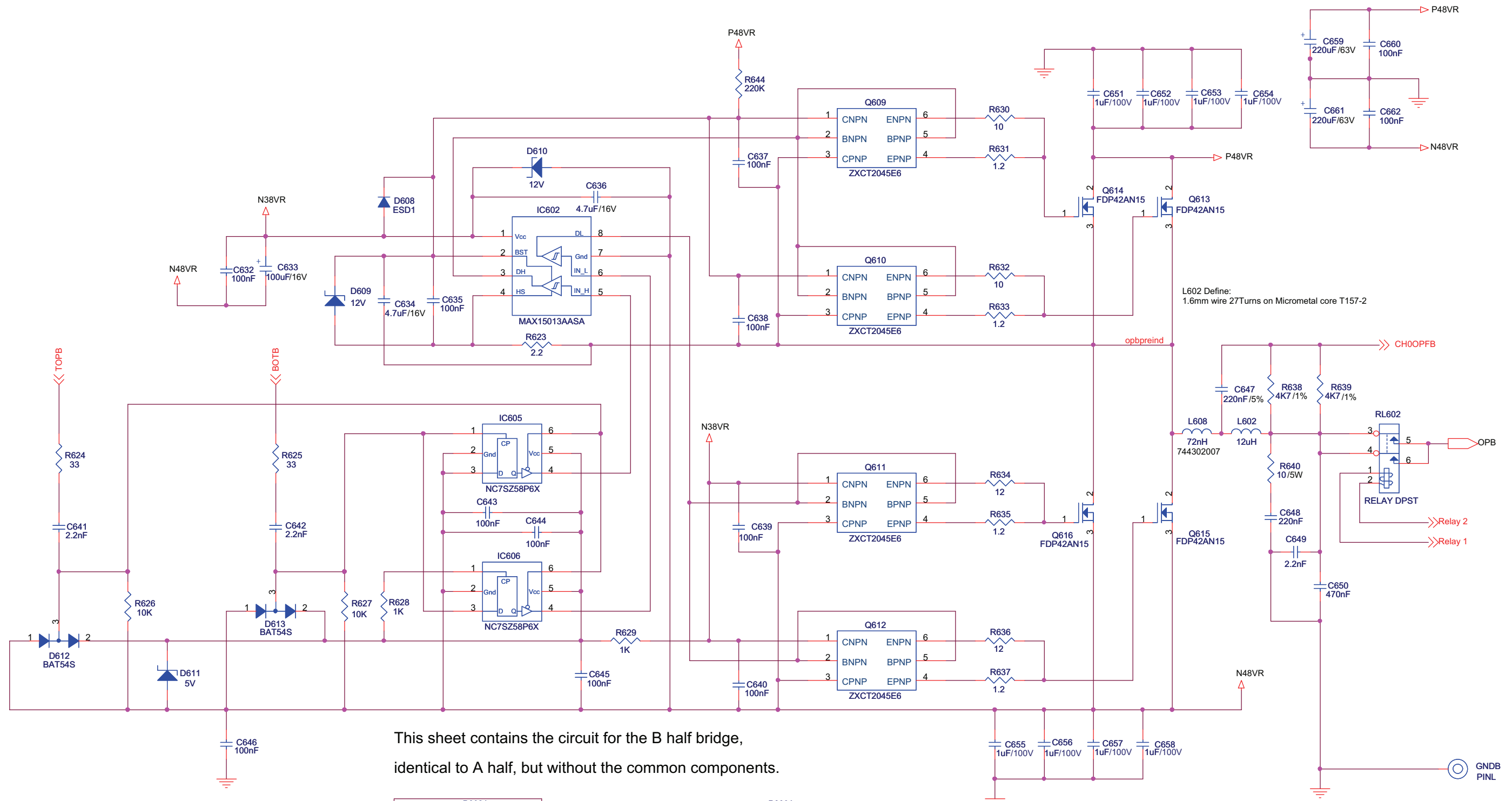




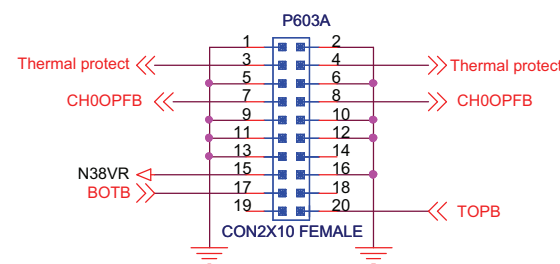
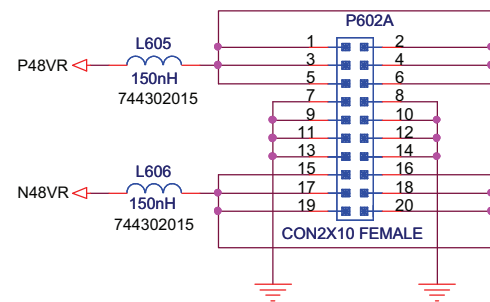
# SCHEMATICS DIAGRAM



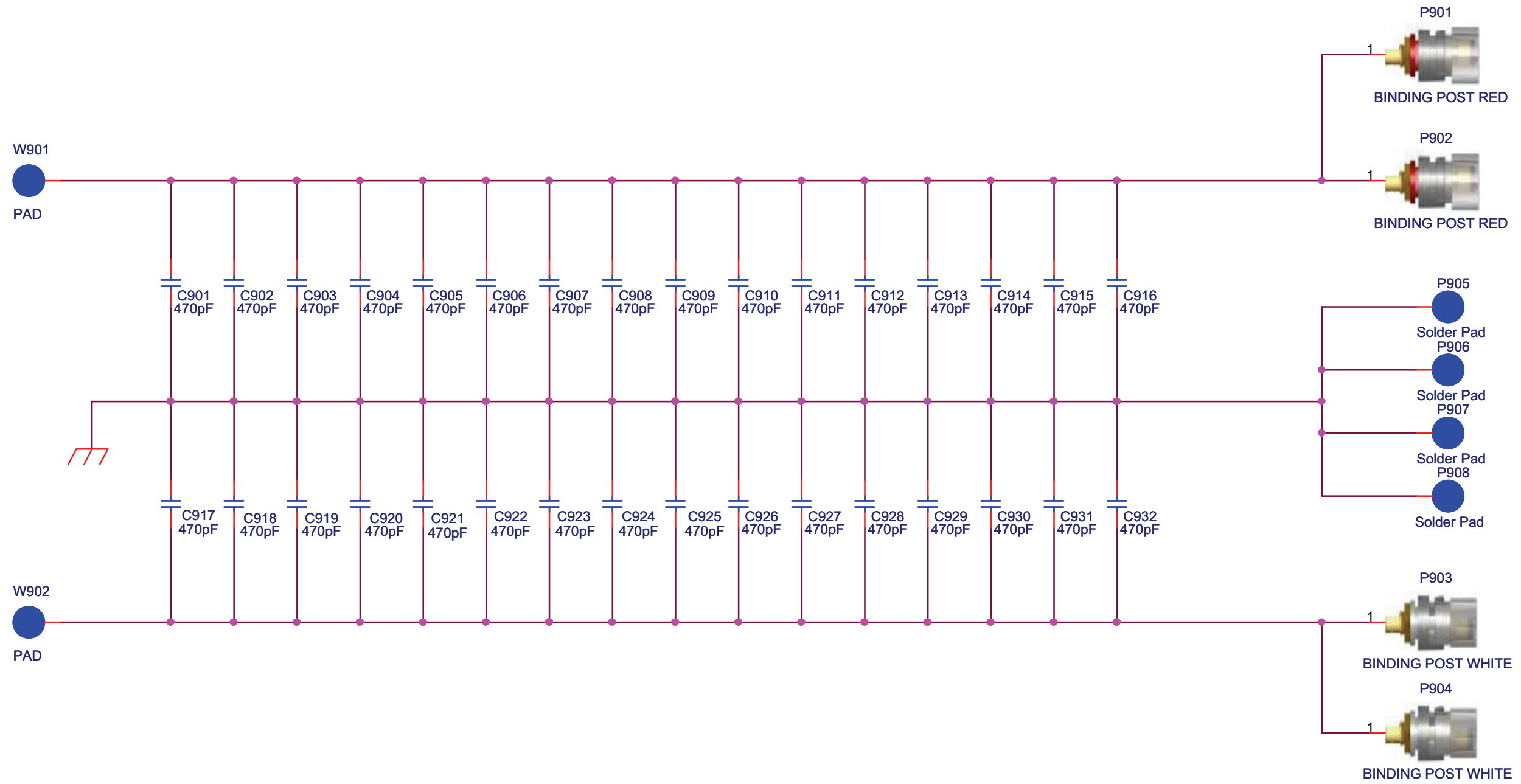
# SCHEMATICS DIAGRAM



This sheet contains the circuit for the B half bridge, identical to A half, but without the common components.



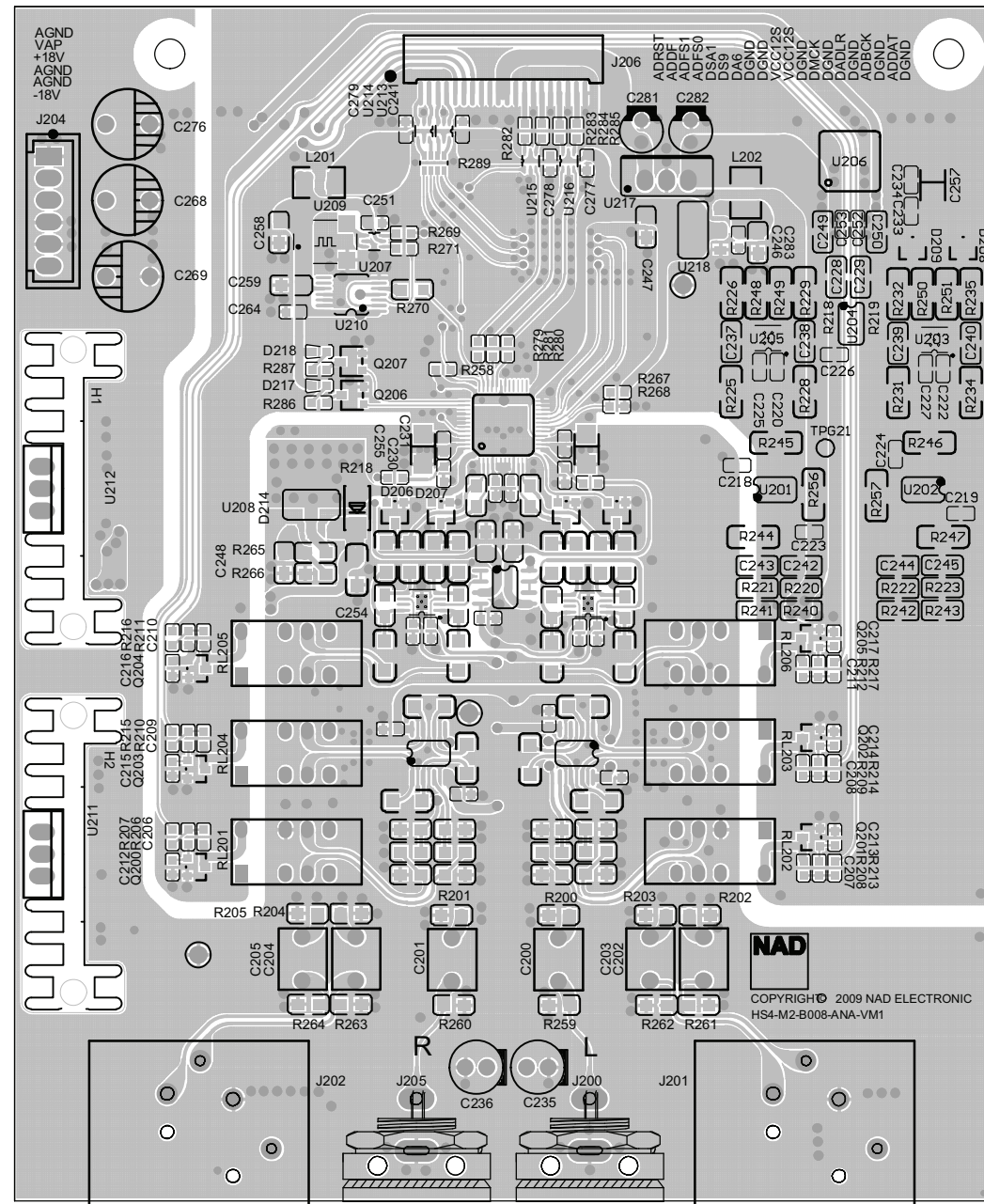
# SCHEMATICS DIAGRAM



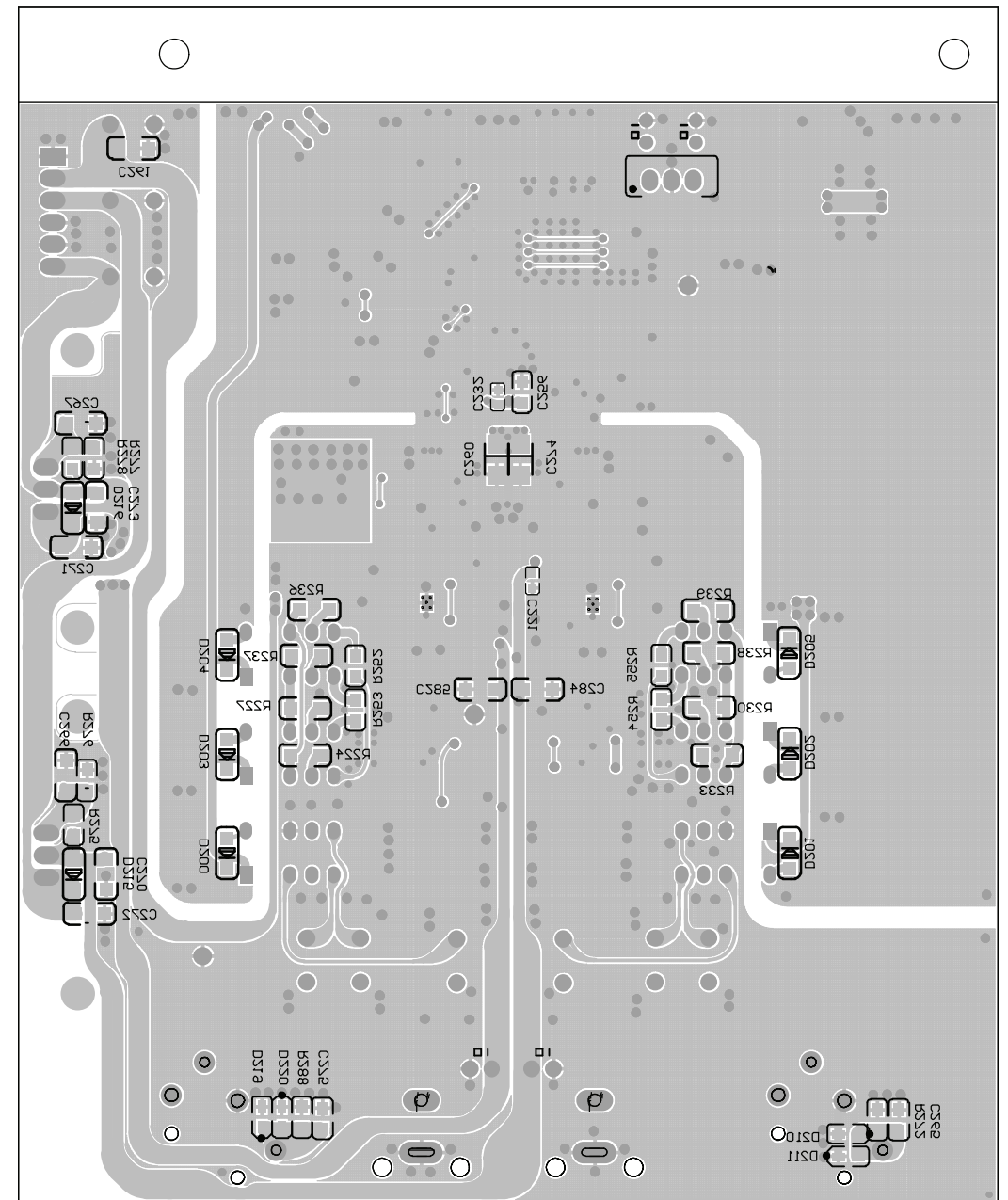
**Left Channel: W901 Solder with Red wire and W902 Solder with Black wire**  
**Right Channel: W901 Solder with Black wire and W902 Solder with Red wire**

# PCB LAYOUT

## ANALOG BOARD - COMPONENT SIDE

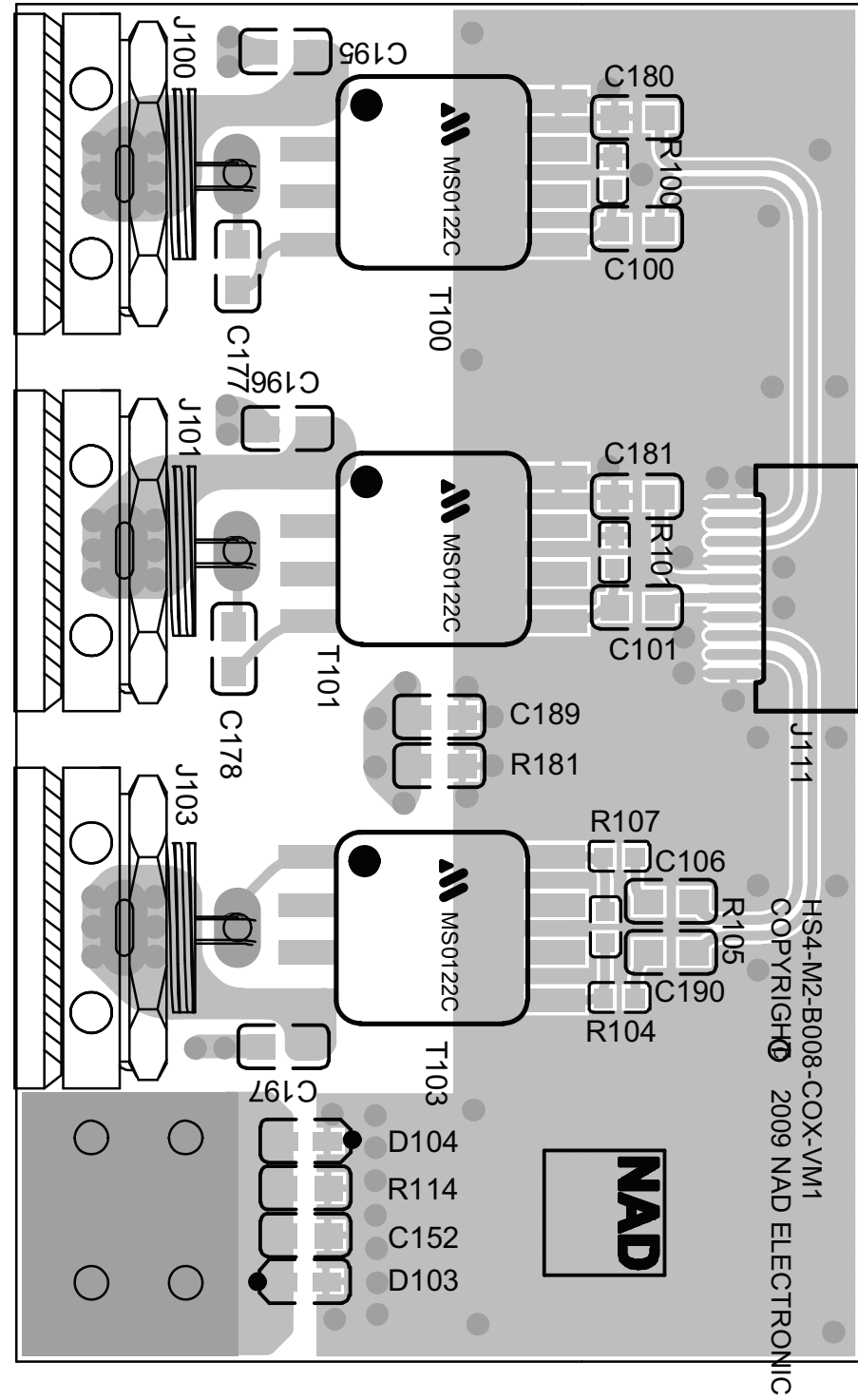


## ANALOG BOARD - SOLDER SIDE

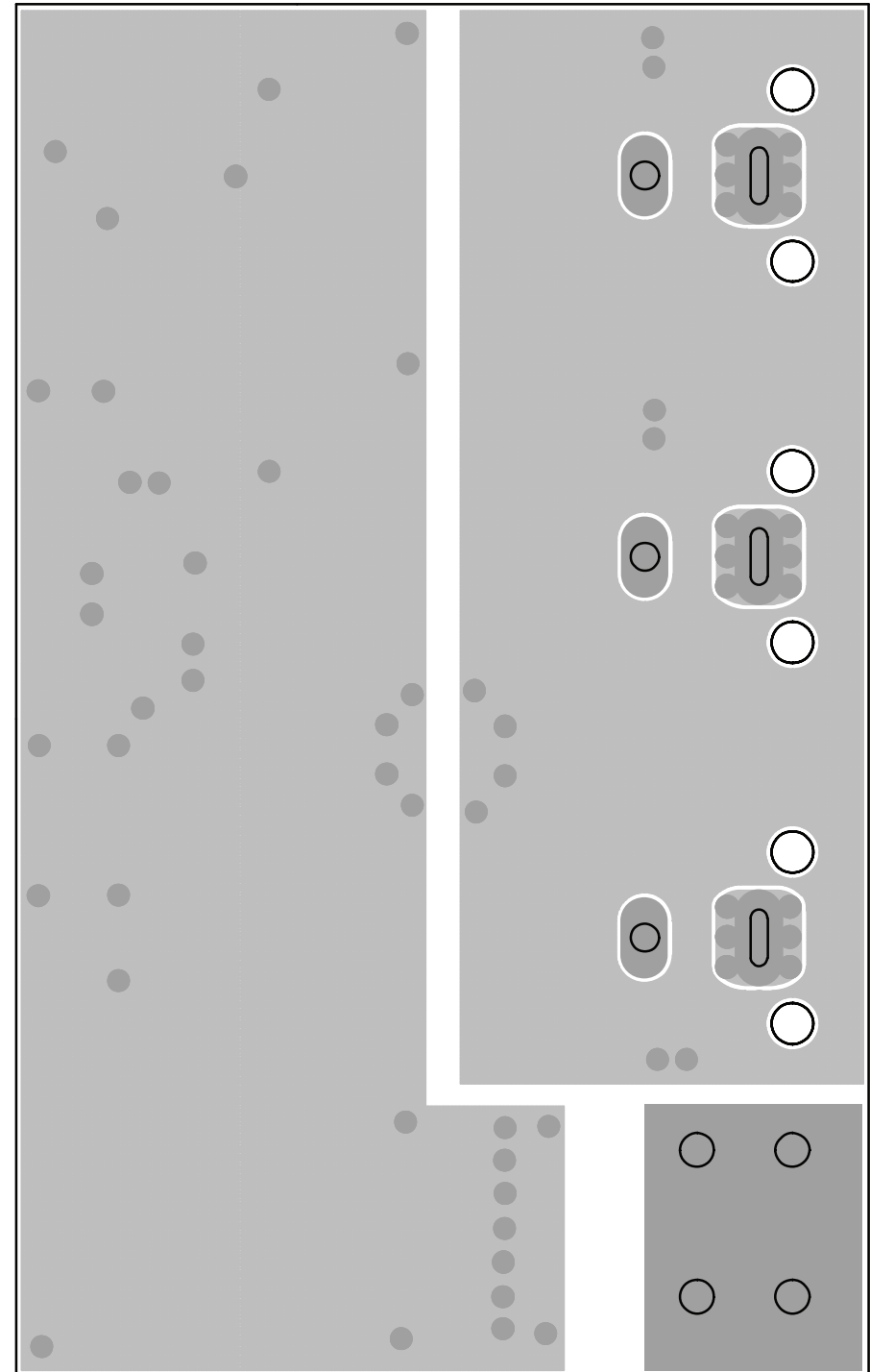


# PCB LAYOUT

## COAX BOARD - COMPONENT SIDE

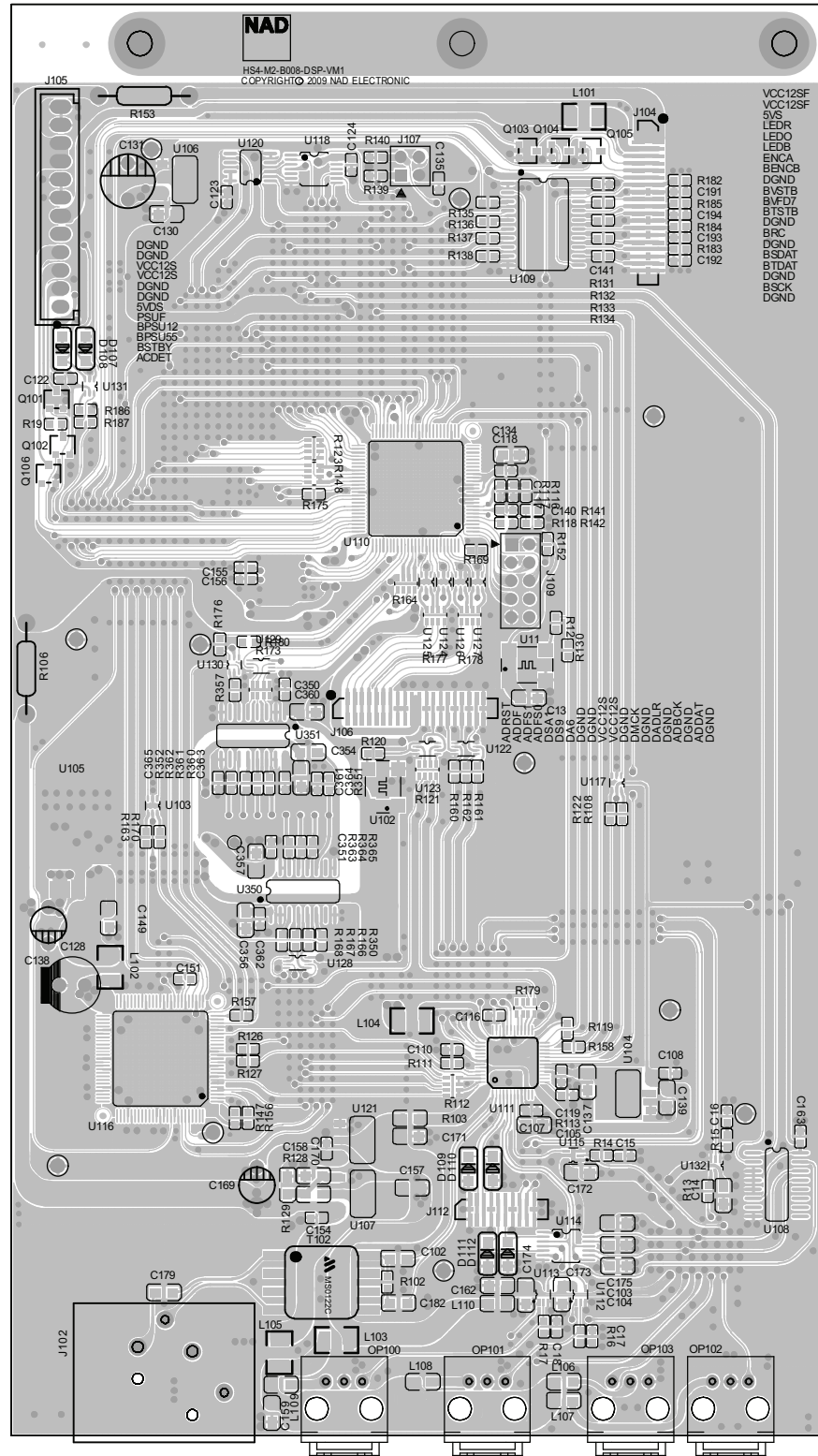


## COAX BOARD - SOLDER SIDE

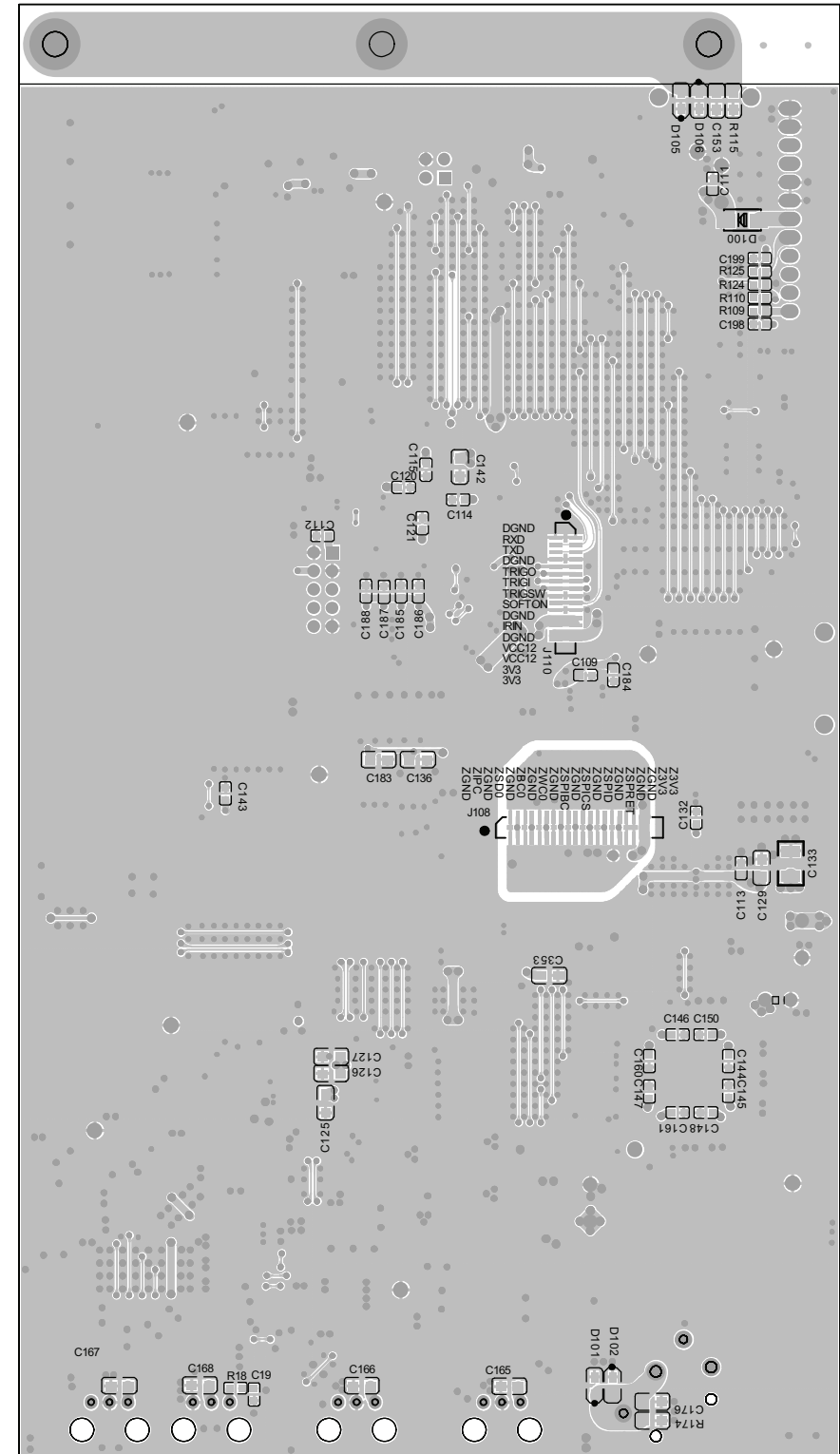


# PCB LAYOUT

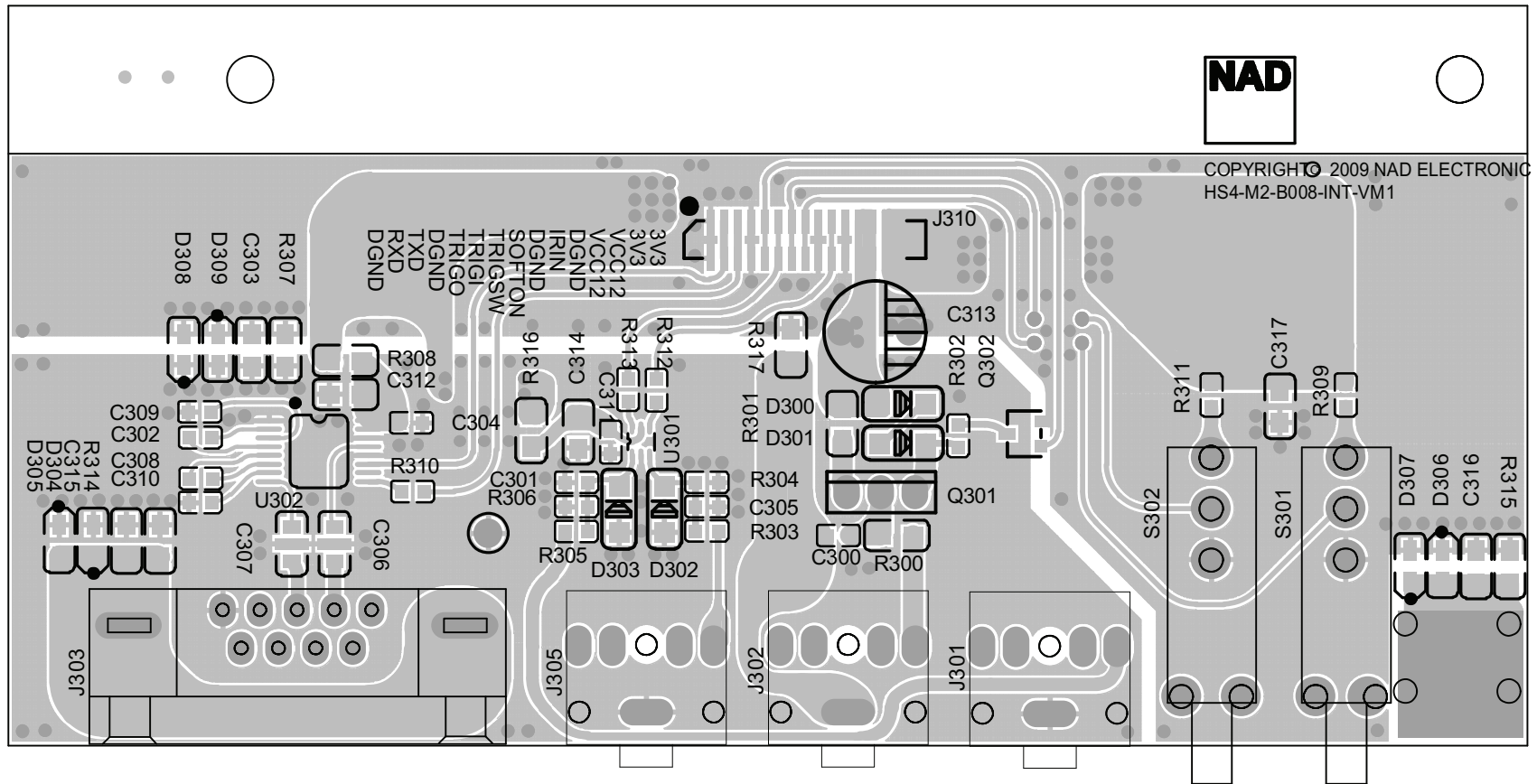
## DSP BOARD - COMPONENT SIDE



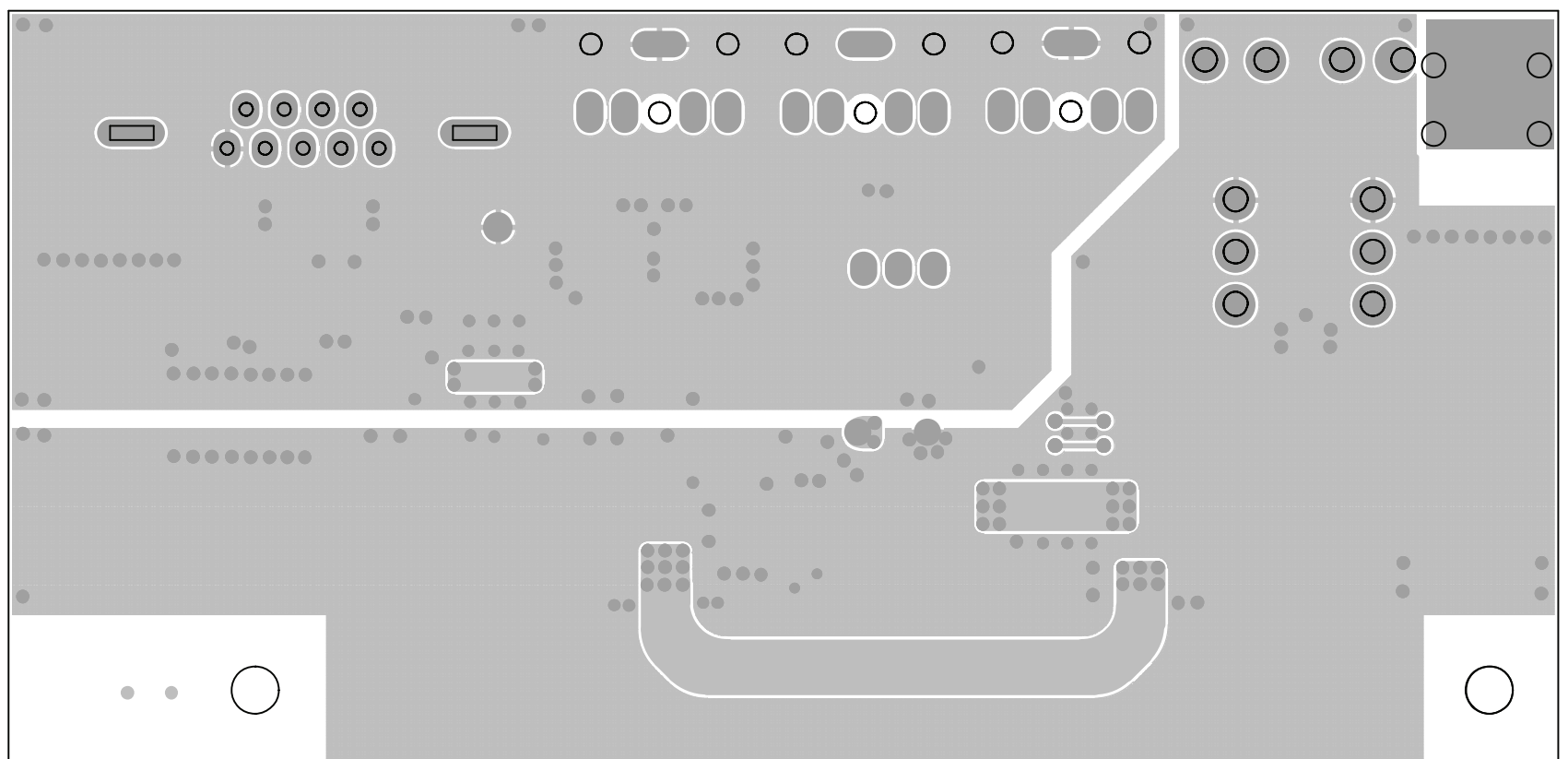
## DSP BOARD - SOLDER SIDE



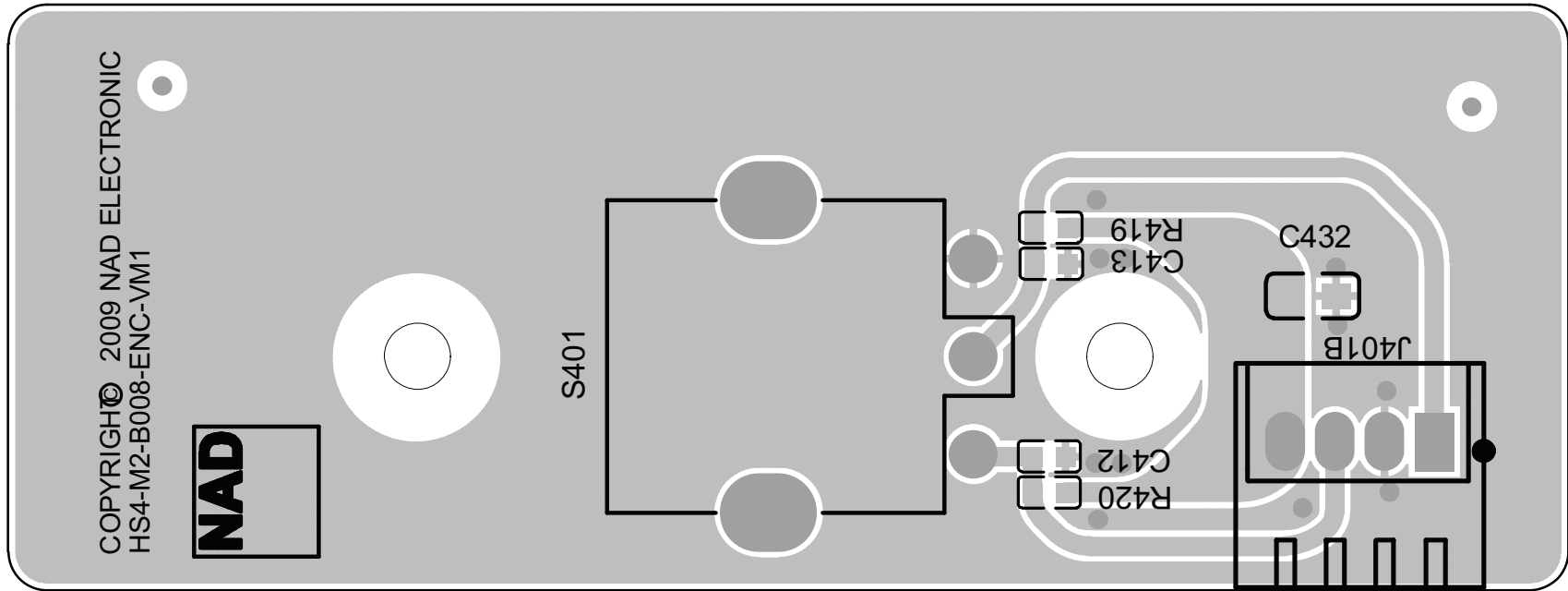
# INTERFACE BOARD - COMPONENT SIDE



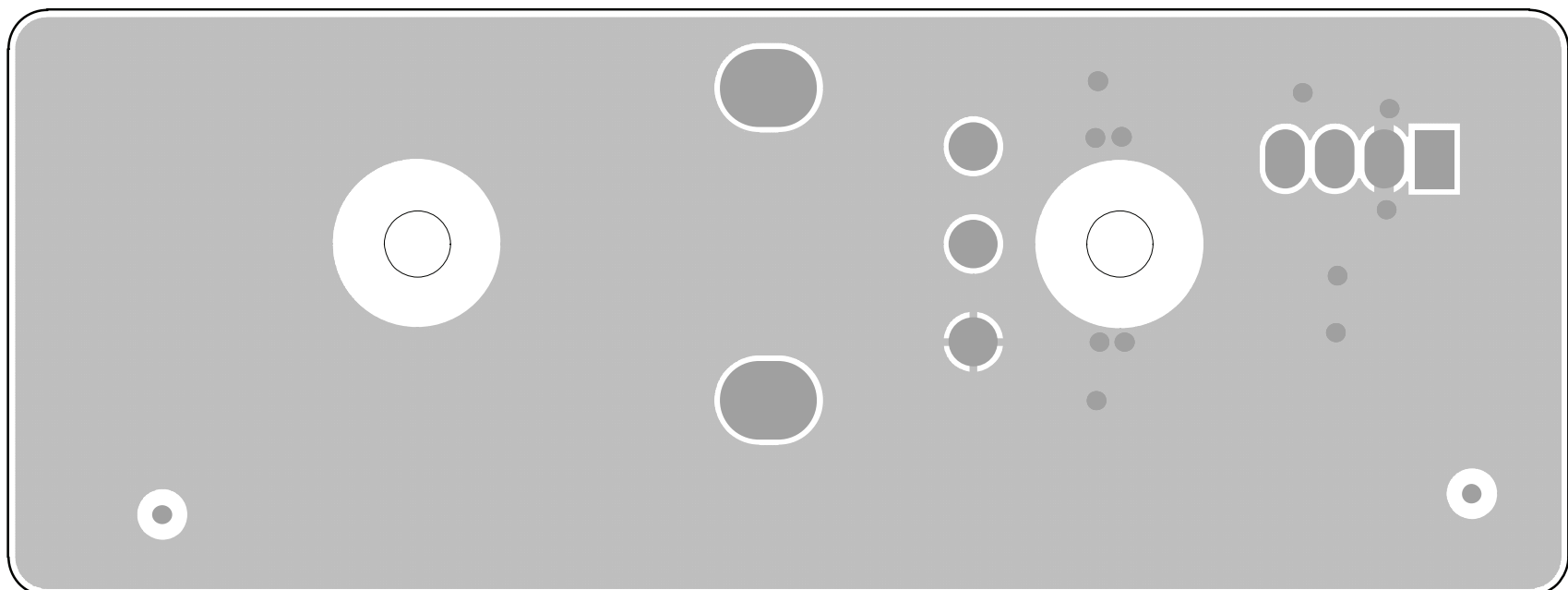
# INTERFACE BOARD - SOLDER SIDE



# ENCODER BOARD - COMPONENT SIDE

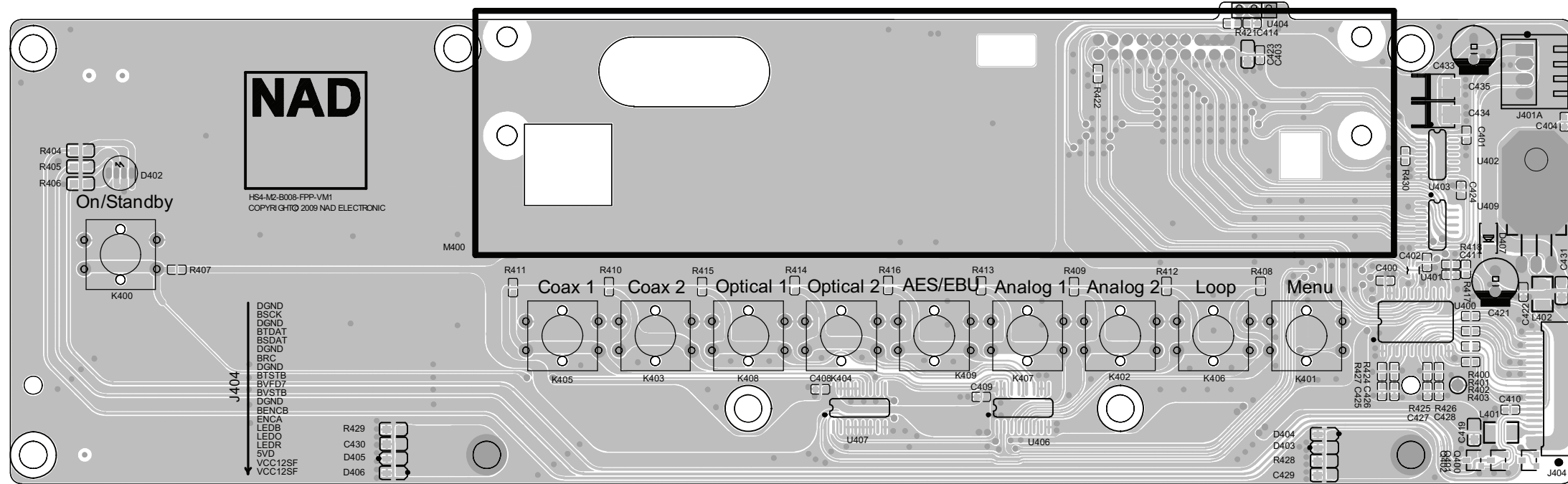


# ENCODER BOARD - SOLDER SIDE

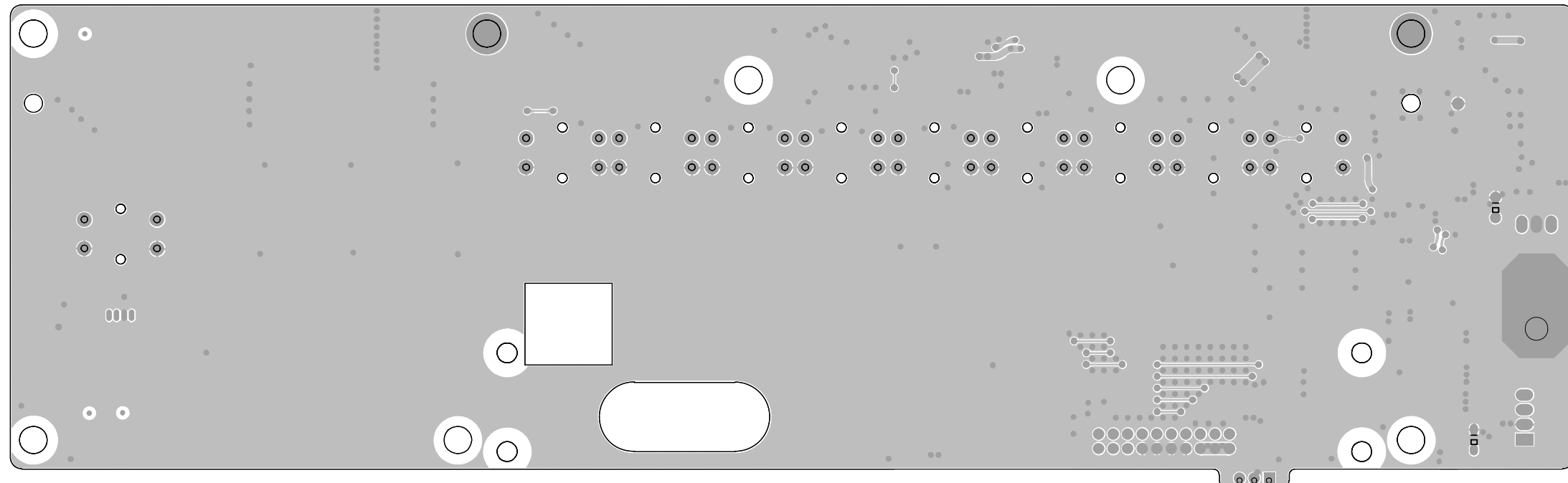


# PCB LAYOUT

## M2\_FPP BOARD - COMPONENT SIDE

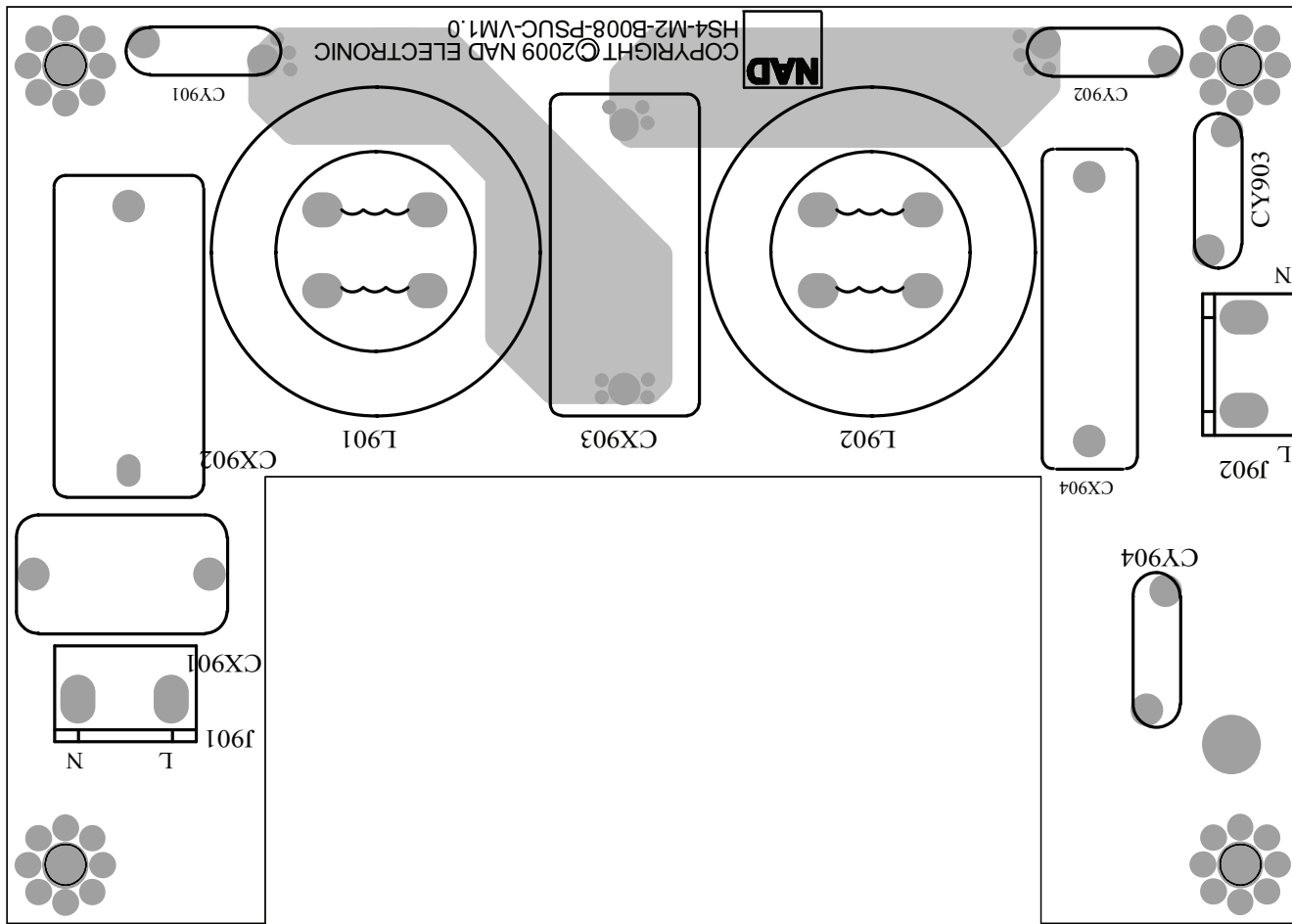


## M2\_FPP BOARD - SOLDER SIDE

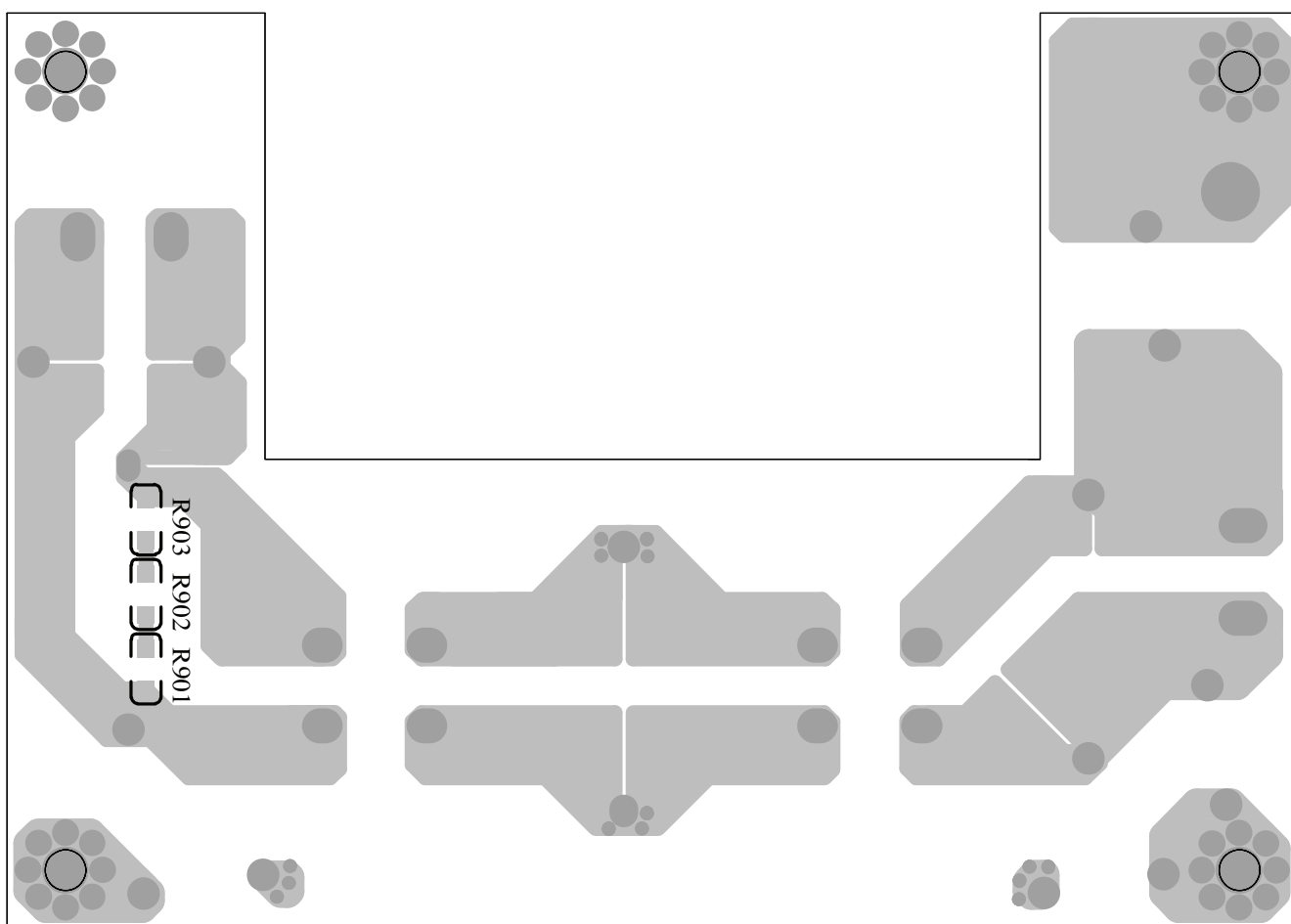


# PCB LAYOUT

## Mains Filter Board - COMPONENT SIDE

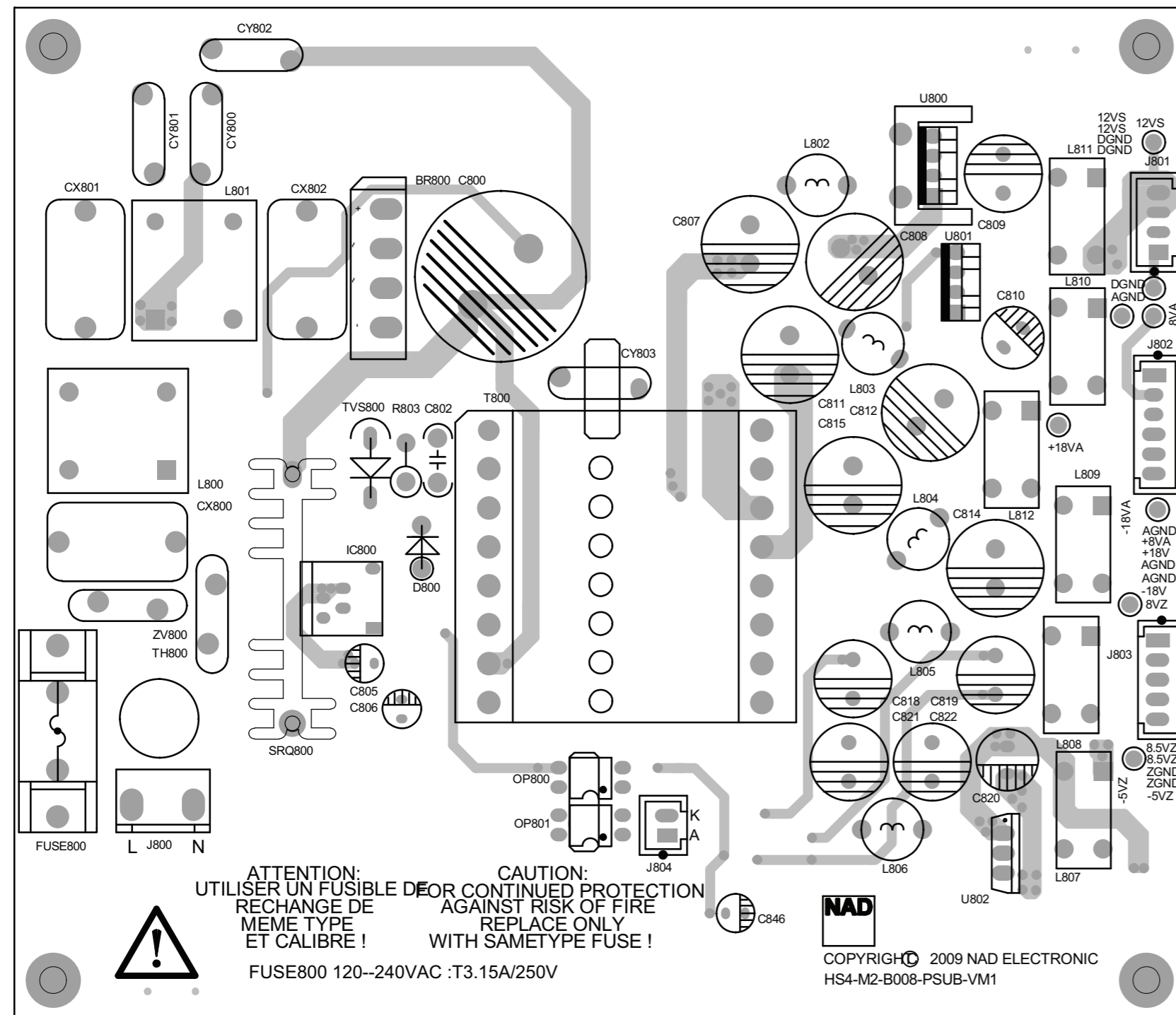


## Mains Filter Board - SOLDER SIDE

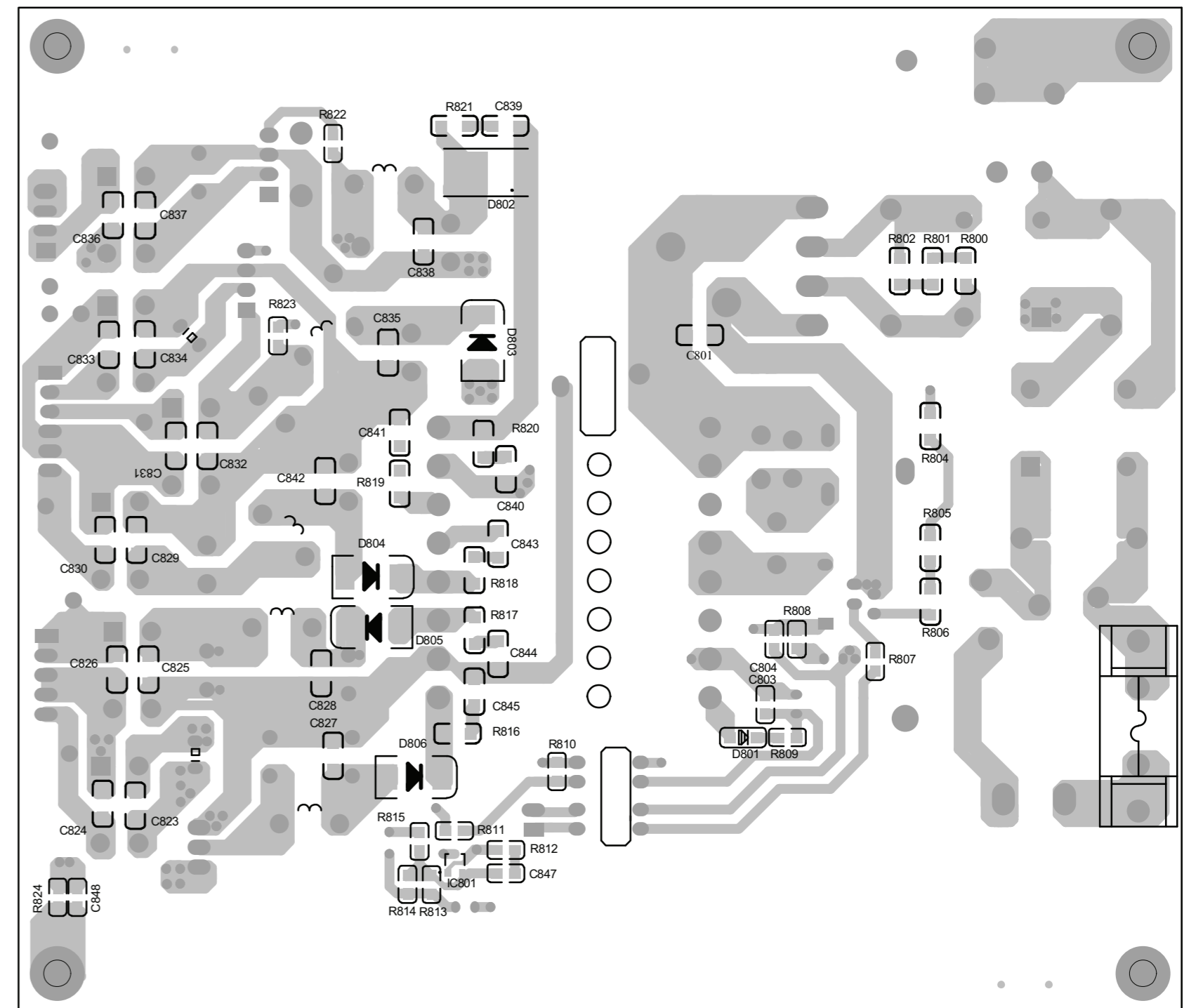


# PCB LAYOUT

## Power Supply Board Lower - COMPONENT SIDE

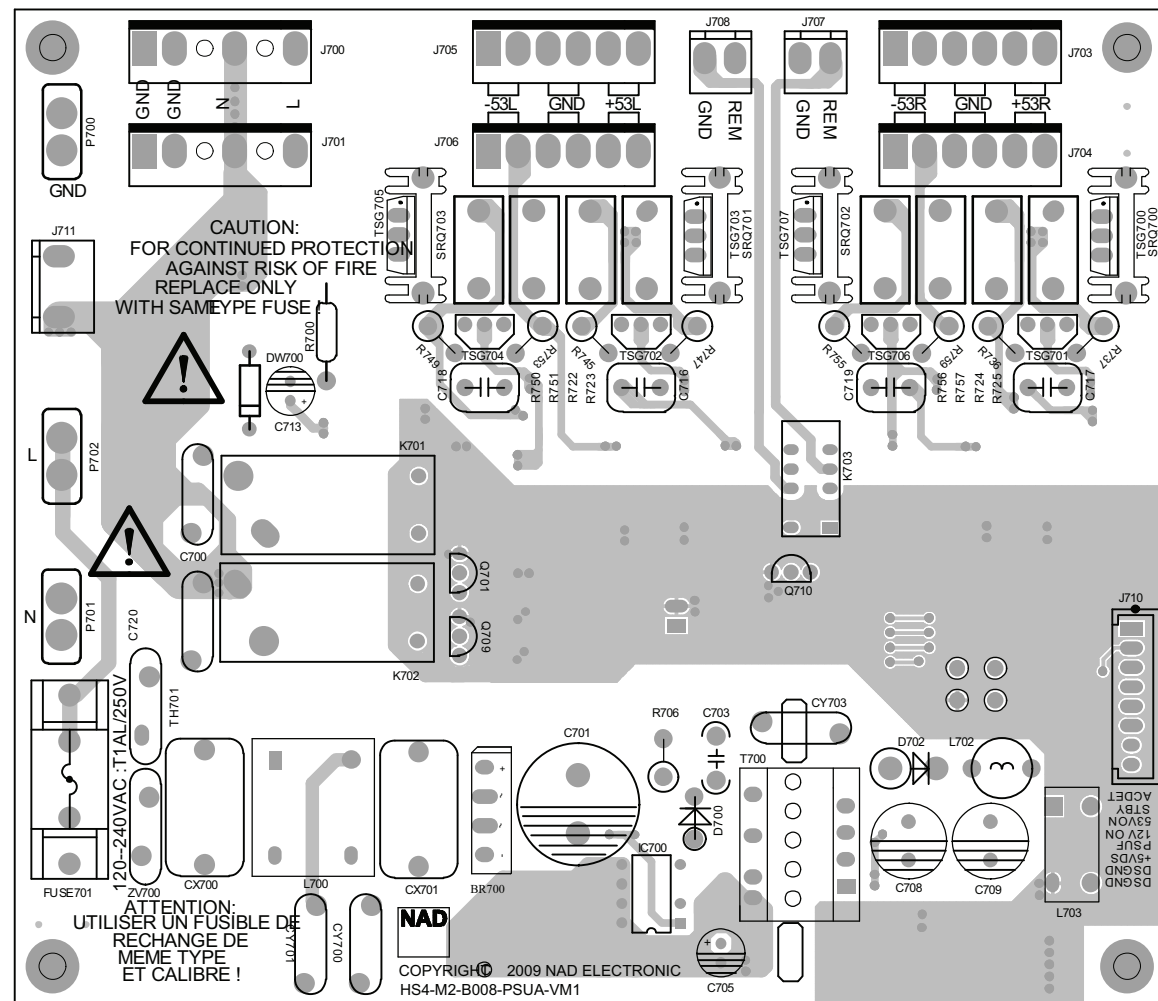


## Power Supply Board Lower - SOLDER SIDE

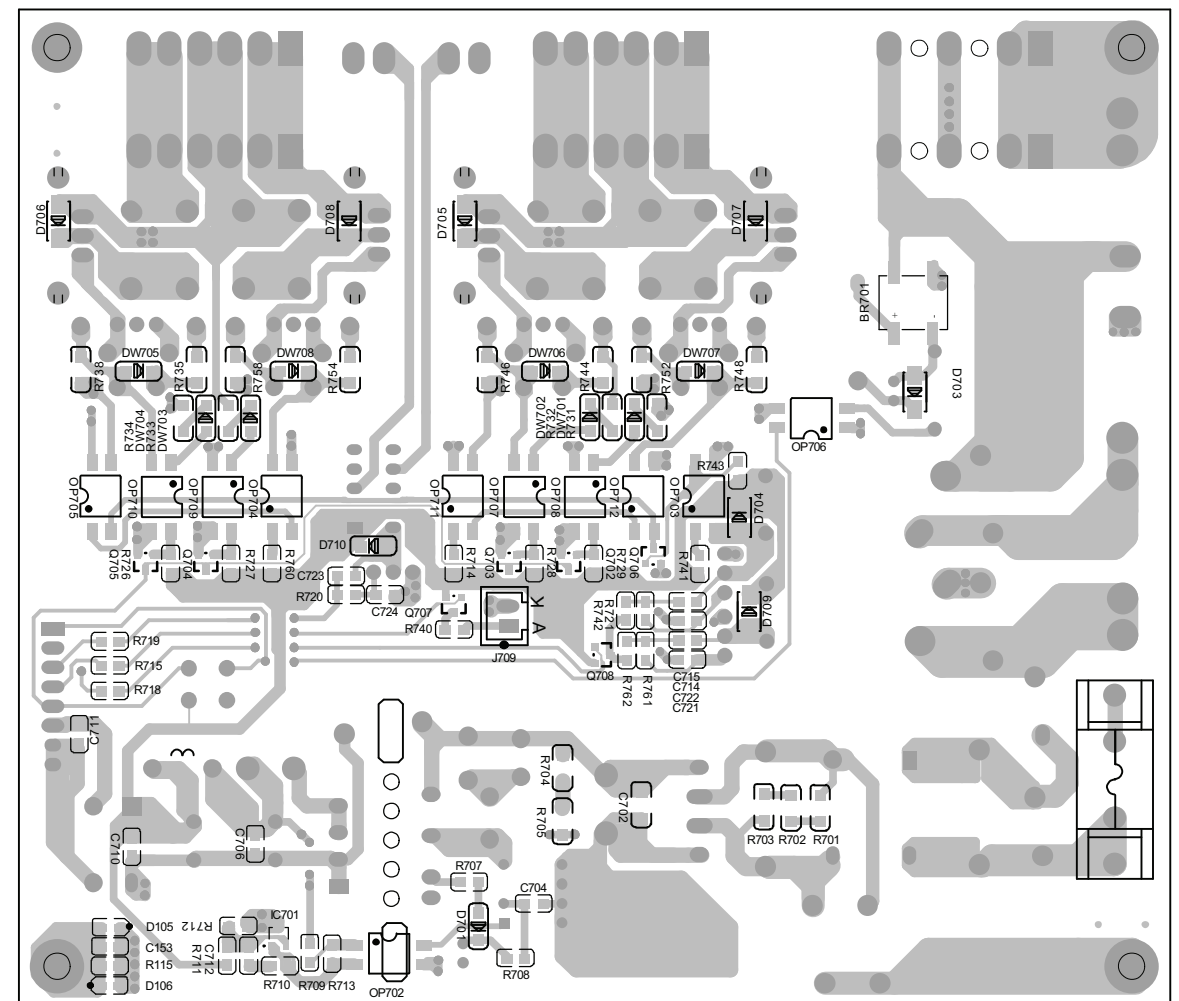


# PCB LAYOUT

Power Supply Board Upper - COMPONENT SIDE

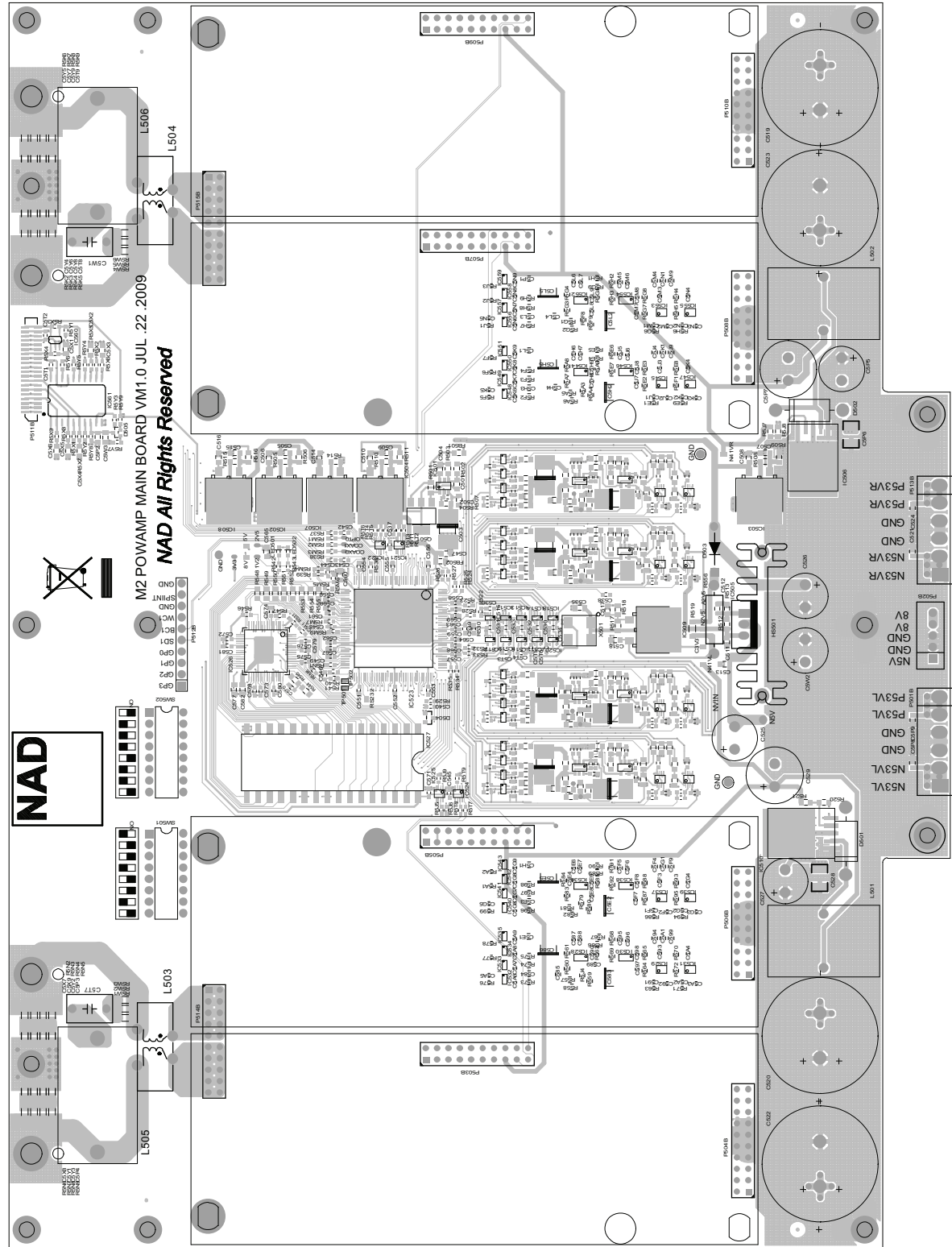


Power Supply Board Upper - SOLDER SIDE

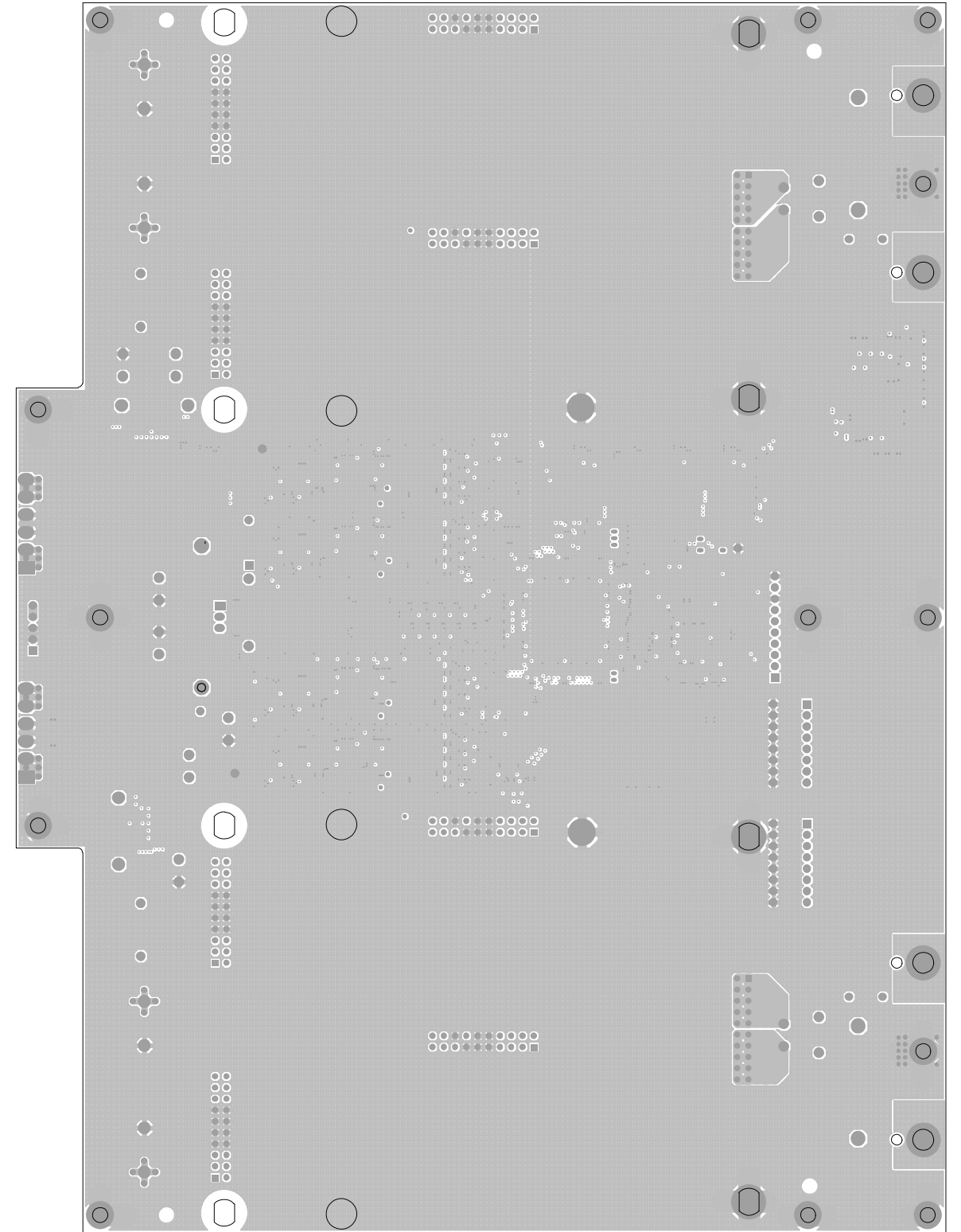


# PCB LAYOUT

## M2\_POWAMP BOARD - COMPONENT SIDE

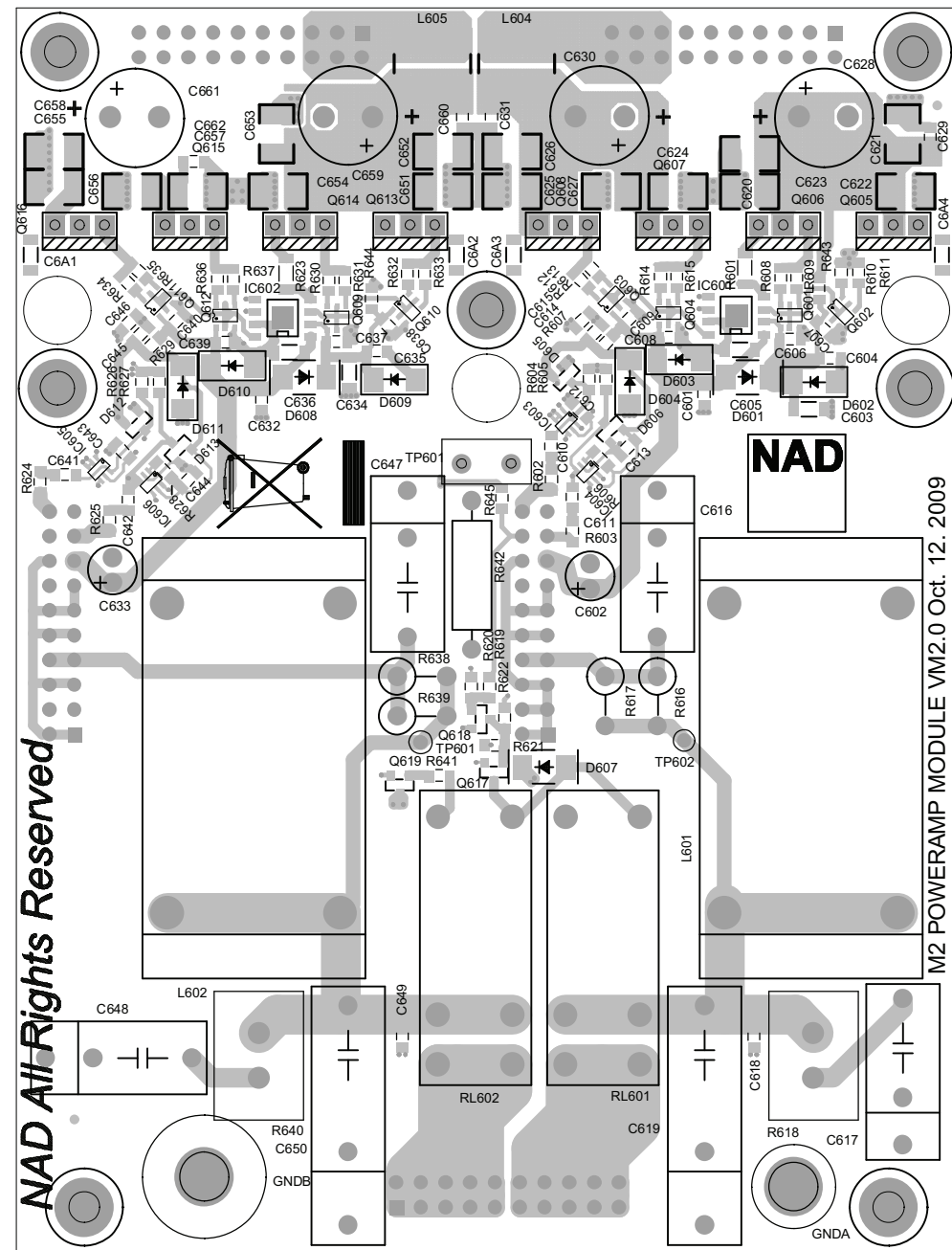


## M2\_POWAMP BOARD - SOLDER SIDE

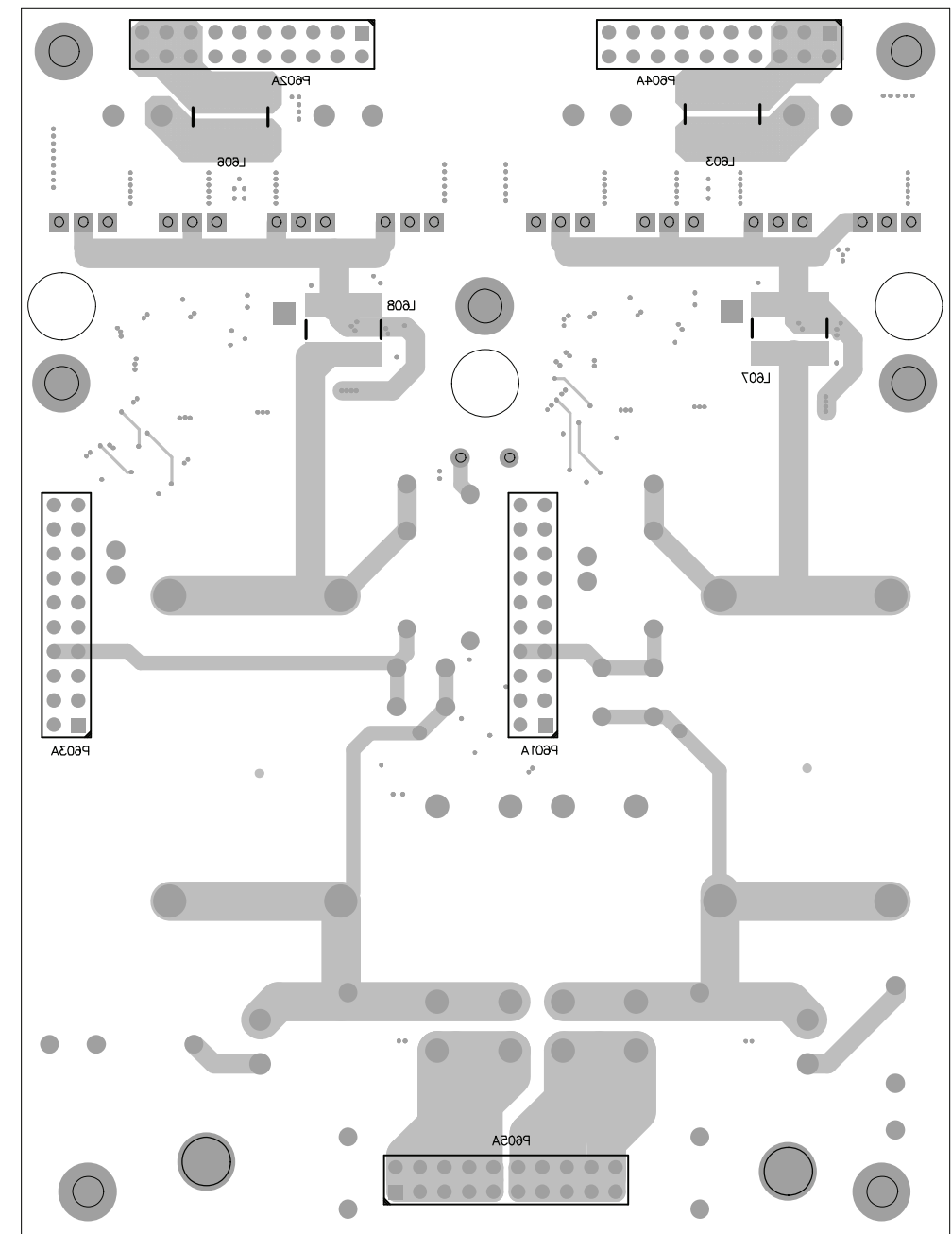


# PCB LAYOUT

## M2\_MODULE BOARD - COMPONENT SIDE

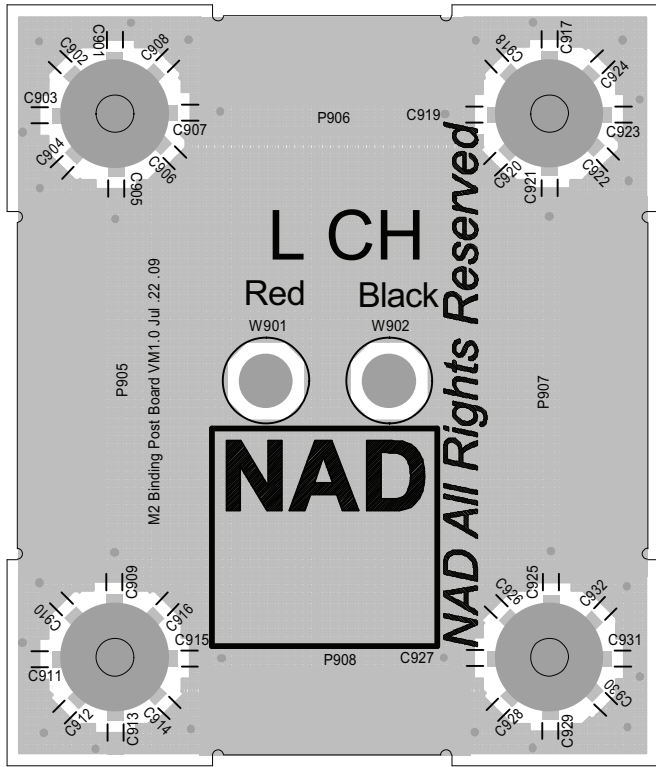


## M2\_MODULE BOARD - SOLDER SIDE

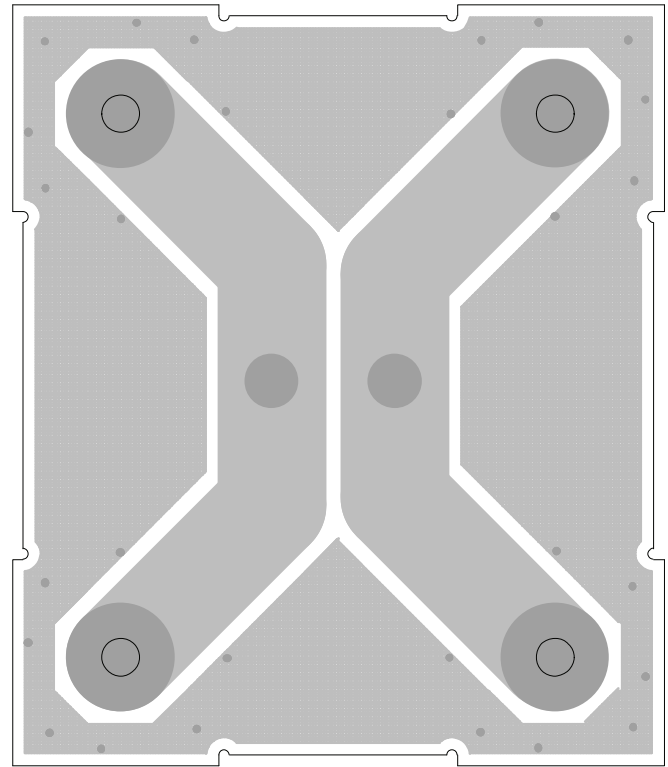


# PCB LAYOUT

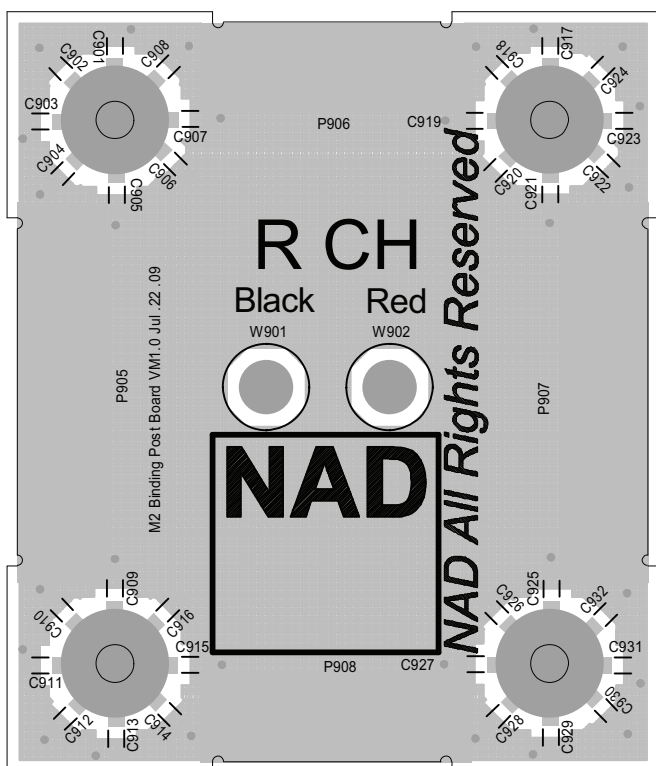
BINDING POST L BOARD - COMPONENT SIDE



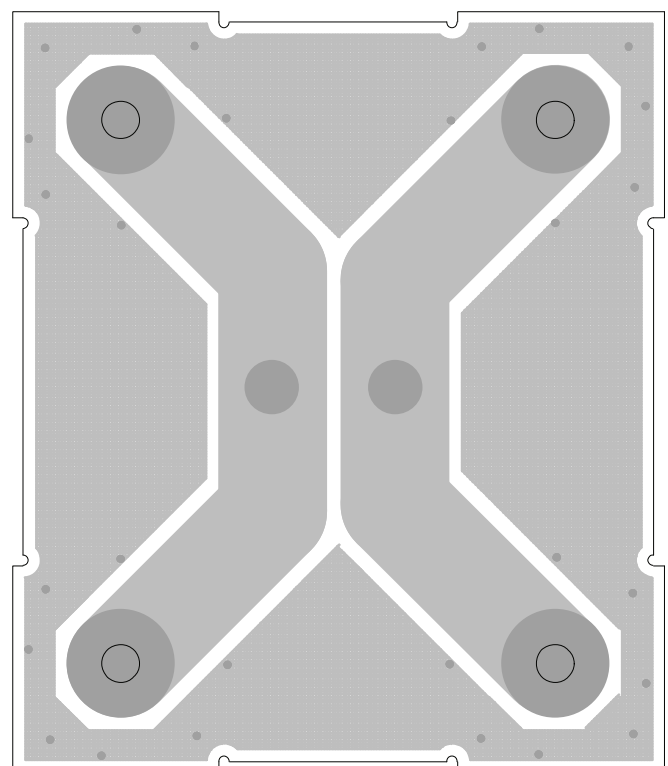
BINDING POST L BOARD - SOLDER SIDE



BINDING POST R BOARD - COMPONENT SIDE



BINDING POST R BOARD - SOLDER SIDE



# ELECTRICAL PARTS LIST

DESIGNATOR	DESCRIPTION	PART TYPE	PART NUMBER	FOOTPRINT
<i>AH P/N : 00-50200-10 C P/N : 00-50200-20</i>				
<i>P/N 01-50201-00 PCB1 BOARD (DSP BOARD)</i>				
<b>DIODE</b>				
D100	Schottky Barrier Rectifier	SS12	33-20012-01	SMA
D101	Switch Diode	1SS352	33-40352-01	SOD-323
D102	Switch Diode	1SS352	33-40352-01	SOD-323
D105	Switch Diode	1SS352	33-40352-01	SOD-323
D106	Switch Diode	1SS352	33-40352-01	SOD-323
D107	Zener Diode	4V7,1/2W	33-14709-10	LL34
D108	Zener Diode	4V7,1/2W	33-14709-10	LL34
D109	Zener Diode	4V7,1/2W	33-14709-10	LL34
D110	Zener Diode	4V7,1/2W	33-14709-10	LL34
D111	Zener Diode	4V7,1/2W	33-14709-10	LL34
D112	Zener Diode	4V7,1/2W	33-14709-10	LL34
<b>TRANSISTOR</b>				
Q101	Transistor	DTC114EKA	31-00114-05	SOT23
Q102	Transistor	DTA114EKA	31-00114-01	SOT23
Q103	Transistor	DTC114EKA	31-00114-05	SOT23
Q104	Transistor	DTC114EKA	31-00114-05	SOT23
Q105	Transistor	DTC114EKA	31-00114-05	SOT23
Q106	Transistor	DTC114EKA	31-00114-05	SOT23
<b>IC</b>				
U103	Octal Buffer	NC7WZ16P6X	03-00716-01	SC70-6
U104	Regulator	LM1117MPX-1.8/AMS1117-1.8	03-01117-04	SOT223
U105	Regulator	TL1963A-33KTTR	J03-01963-33	TO263-5
U106	Regulator	AMS1117-3.3	03-01117-06	SOT223
U106	Regulator	LM1117MPX-3.3	J03-01117-06	SOT223
U108	Line Decoder	MM74HC138M	03-00138-02	SOIC16
U108	Line Decoder	74HC138D	03-00138-05	SOIC16
U109	Octal Buffer	74LCX244	03-00244-01	SOIC20
U110	MCU	C8051F126-GQ	J03-08051-01	TQFP100A
U111	SPDIF interface	DIX4192IPFB	J03-04192-01	TQFP-48
U112	Buffer	NC7SZ125P5X	03-07125-01	SC70-5
U113	Buffer	NC7SZ125P5X	03-07125-01	SC70-5
U114	Bus Switch	SN74CB3Q3125PW	03-03125-01	TSSOP14
U115	Buffer	NC7SZ125P5X	03-07125-01	SC70-5
U116	DSP	DSPB56364AF100	J03-56364-01	TQFP100A
U117	Octal Buffer	NC7WZ16P6X	03-00716-01	SC70-6
U118	Buffer	74LCX125MTC	03-00125-09	TSSOP14
U120	EEPROM	AT25128AN-10SU-2.7	03-25128-27	SO8
U120	EEPROM	AT25040AN-10SU-2.7	J03-25040-27	SO8
U121	Regulator	AMS1117-3.3	03-01117-06	SOT223
U121	Regulator	LM1117MPX-3.3	J03-01117-06	SOT223
U122	Buffer	NC7NZ34K8X	03-00734-01	US8
U123	Buffer	NC7NZ34K8X	03-00734-01	US8
U124	SCHMITT DRIVER	NC7WZ17	03-00717-01	SC70
U125	SCHMITT DRIVER	NC7WZ17	03-00717-01	SC70
U126	SCHMITT DRIVER	NC7WZ17	03-00717-01	SC70
U127	SCHMITT DRIVER	NC7WZ17	03-00717-01	SC70
U128	Buffer	NC7NZ34K8X	03-00734-01	US8
U129	Buffer	NC7NZ34K8X	03-00734-01	US8
U130	Octal Buffer	NC7WZ16P6X	03-00716-01	SC70-6
U131	Dual Schmitt-Trigger Inverter	SN74LVC2G14DCKT	03-07414-07	SC70
U132	Buffer	NC7SZ125P5X	03-07125-01	SC70-5
U350	isolators	IL717-3E	03-00717-02	SOIC16 0.15mm
U351	isolators	IL717-3E	03-00717-02	SOIC16 0.15mm
<b>RESISTOR</b>				
R13	Chip Resistor	33Ω, 1/10W, ±5%	07-90330-00	SM/R_0603
R19	Chip Resistor	100Ω, 1/10W, ±5%	07-90101-00	SM/R_0603
R102	Chip Resistor	110Ω, 1/10W, ±1%	07-91100-00	SM/R_0603
R103	Chip Resistor	0Ω, 1/8W, ±5%	07-90000-01	SM/R_0805
R106	Oxidized Film Resistor	10Ω, 2W, ±5%	07-30100-07	Pitch=12.5mm
R108	Chip Resistor	120Ω, 1/10W, ±5%	07-90121-00	SM/R_0603
R109	Chip Resistor	10KΩ, 1/10W, ±5%	07-90103-00	SM/R_0603

# ELECTRICAL PARTS LIST

DESIGNATOR	DESCRIPTION	PART TYPE	PART NUMBER	FOOTPRINT
R110	Chip Resistor	100K $\Omega$ , 1/10W, $\pm$ 5%	07-90104-00	SM/R_0603
R111	Chip Resistor	100 $\Omega$ , 1/10W, $\pm$ 5%	07-90101-00	SM/R_0603
R112	RES NET	100RJ	07-90101-10	R0603X4
R113	Chip Resistor	100 $\Omega$ , 1/10W, $\pm$ 5%	07-90101-00	SM/R_0603
R115	Chip Resistor	100 $\Omega$ , 1/8W, $\pm$ 5%	07-90101-01	SM/R_0805
R116	Chip Resistor	68K $\Omega$ , 1/10W, $\pm$ 5%	07-90683-00	SM/R_0603
R117	Chip Resistor	33K $\Omega$ , 1/10W, $\pm$ 5%	07-90333-00	SM/R_0603
R118	Chip Resistor	10K $\Omega$ , 1/10W, $\pm$ 5%	07-90103-00	SM/R_0603
R119	Chip Resistor	10K $\Omega$ , 1/10W, $\pm$ 5%	07-90103-00	SM/R_0603
R121	RES NET	82 $\Omega$ , 0603X4, $\pm$ 5%, YC164	07-90820-10	R0603X4
R122	Chip Resistor	120 $\Omega$ , 1/10W, $\pm$ 5%	07-90121-00	SM/R_0603
R123	RES NET	120RJ	07-90121-10	R0603X4
R124	Chip Resistor	100K $\Omega$ , 1/10W, $\pm$ 5%	07-90104-00	SM/R_0603
R125	Chip Resistor	10K $\Omega$ , 1/10W, $\pm$ 5%	07-90103-00	SM/R_0603
R126	Chip Resistor	100 $\Omega$ , 1/10W, $\pm$ 1%	07-91000-00	SM/R_0603
R127	Chip Resistor	100 $\Omega$ , 1/10W, $\pm$ 1%	07-91000-00	SM/R_0603
R130	Chip Resistor	0 $\Omega$ , 1/10W, $\pm$ 5%	07-90000-00	SM/R_0603
R131	Chip Resistor	0 $\Omega$ , 1/10W, $\pm$ 5%	07-90000-00	SM/R_0603
R132	Chip Resistor	0 $\Omega$ , 1/10W, $\pm$ 5%	07-90000-00	SM/R_0603
R133	Chip Resistor	0 $\Omega$ , 1/10W, $\pm$ 5%	07-90000-00	SM/R_0603
R134	Chip Resistor	0 $\Omega$ , 1/10W, $\pm$ 5%	07-90000-00	SM/R_0603
R135	Chip Resistor	120 $\Omega$ , 1/10W, $\pm$ 5%	07-90121-00	SM/R_0603
R136	Chip Resistor	120 $\Omega$ , 1/10W, $\pm$ 5%	07-90121-00	SM/R_0603
R137	Chip Resistor	120 $\Omega$ , 1/10W, $\pm$ 5%	07-90121-00	SM/R_0603
R138	Chip Resistor	120 $\Omega$ , 1/10W, $\pm$ 5%	07-90121-00	SM/R_0603
R139	Chip Resistor	100K $\Omega$ , 1/10W, $\pm$ 5%	07-90104-00	SM/R_0603
R140	Chip Resistor	100K $\Omega$ , 1/10W, $\pm$ 5%	07-90104-00	SM/R_0603
R141	Chip Resistor	100 $\Omega$ , 1/10W, $\pm$ 5%	07-90101-00	SM/R_0603
R142	Chip Resistor	7.5K $\Omega$ , 1/10W, $\pm$ 1%	07-97501-00	SM/R_0603
R147	Chip Resistor	10K $\Omega$ , 1/10W, $\pm$ 5%	07-90103-00	SM/R_0603
R148	RES NET	120RJ	07-90121-10	R0603X4
R152	Chip Resistor	4.7K $\Omega$ , 1/10W, $\pm$ 5%	07-90472-00	SM/R_0603
R153	Oxidized Film Resistor	10 $\Omega$ , 2W, $\pm$ 5%	07-30100-07	Pitch=12.5mm
R156	Chip Resistor	10K $\Omega$ , 1/10W, $\pm$ 5%	07-90103-00	SM/R_0603
R157	Chip Resistor	120 $\Omega$ , 1/10W, $\pm$ 5%	07-90121-00	SM/R_0603
R158	Chip Resistor	120 $\Omega$ , 1/10W, $\pm$ 5%	07-90121-00	SM/R_0603
R160	Chip Resistor	100 $\Omega$ , 1/10W, $\pm$ 5%	07-90101-00	SM/R_0603
R161	Chip Resistor	100 $\Omega$ , 1/10W, $\pm$ 5%	07-90101-00	SM/R_0603
R162	Chip Resistor	100 $\Omega$ , 1/10W, $\pm$ 5%	07-90101-00	SM/R_0603
R163	Chip Resistor	120 $\Omega$ , 1/10W, $\pm$ 5%	07-90121-00	SM/R_0603
R164	RES NET	120RJ	07-90121-10	R0603X4
R166	Chip Resistor	100 $\Omega$ , 1/10W, $\pm$ 5%	07-90101-00	SM/R_0603
R167	Chip Resistor	100 $\Omega$ , 1/10W, $\pm$ 5%	07-90101-00	SM/R_0603
R168	Chip Resistor	100 $\Omega$ , 1/10W, $\pm$ 5%	07-90101-00	SM/R_0603
R169	Chip Resistor	120 $\Omega$ , 1/10W, $\pm$ 5%	07-90121-00	SM/R_0603
R170	Chip Resistor	120 $\Omega$ , 1/10W, $\pm$ 5%	07-90121-00	SM/R_0603
R173	RES NET	100RJ	07-90101-10	R0603X4
R174	Chip Resistor	100 $\Omega$ , 1/8W, $\pm$ 5%	07-90101-01	SM/R_0805
R175	Chip Resistor	120 $\Omega$ , 1/10W, $\pm$ 5%	07-90121-00	SM/R_0603
R176	Chip Resistor	100 $\Omega$ , 1/10W, $\pm$ 5%	07-90101-00	SM/R_0603
R177	RES NET	100RJ	07-90101-10	R0603X4
R178	RES NET	100RJ	07-90101-10	R0603X4
R179	RES NET	120RJ	07-90121-10	R0603X4
R180	Chip Resistor	100 $\Omega$ , 1/10W, $\pm$ 5%	07-90101-00	SM/R_0603
R182	Chip Resistor	100 $\Omega$ , 1/10W, $\pm$ 5%	07-90101-00	SM/R_0603
R183	Chip Resistor	100 $\Omega$ , 1/10W, $\pm$ 5%	07-90101-00	SM/R_0603
R184	Chip Resistor	100 $\Omega$ , 1/10W, $\pm$ 5%	07-90101-00	SM/R_0603
R185	Chip Resistor	100 $\Omega$ , 1/10W, $\pm$ 5%	07-90101-00	SM/R_0603
R186	Chip Resistor	100 $\Omega$ , 1/10W, $\pm$ 5%	07-90101-00	SM/R_0603
R187	Chip Resistor	100 $\Omega$ , 1/10W, $\pm$ 5%	07-90101-00	SM/R_0603
R350	Chip Resistor	100 $\Omega$ , 1/10W, $\pm$ 5%	07-90101-00	SM/R_0603
R351	Chip Resistor	100 $\Omega$ , 1/10W, $\pm$ 5%	07-90101-00	SM/R_0603
R352	Chip Resistor	100 $\Omega$ , 1/10W, $\pm$ 5%	07-90101-00	SM/R_0603
R357	Chip Resistor	100 $\Omega$ , 1/10W, $\pm$ 5%	07-90101-00	SM/R_0603

# ELECTRICAL PARTS LIST

DESIGNATOR	DESCRIPTION	PART TYPE	PART NUMBER	FOOTPRINT
R360	Chip Resistor	0Ω, 1/10W, ±5%	07-90000-00	SM/R_0603
R361	Chip Resistor	0Ω, 1/10W, ±5%	07-90000-00	SM/R_0603
R362	Chip Resistor	0Ω, 1/10W, ±5%	07-90000-00	SM/R_0603
R363	Chip Resistor	0Ω, 1/10W, ±5%	07-90000-00	SM/R_0603
R364	Chip Resistor	0Ω, 1/10W, ±5%	07-90000-00	SM/R_0603
R365	Chip Resistor	0Ω, 1/10W, ±5%	07-90000-00	SM/R_0603
<b>CAPACITOR</b>				
C14	Ceramic Capacitor SMD	100nK, 25V, 0805, X7R	26-10421-01	SM/C_0805
C102	Ceramic Capacitor SMD	100nK, 25V, 0805, X7R	26-10421-01	SM/C_0805
C103	Ceramic Capacitor SMD	100nK, 25V, 0805, X7R	26-10421-01	SM/C_0805
C104	Ceramic Capacitor SMD	100nK, 25V, 0805, X7R	26-10421-01	SM/C_0805
C105	Ceramic Capacitor SMD	100nK, 25V, 0805, X7R	26-10421-01	SM/C_0805
C107	Ceramic Capacitor SMD	100nK, 25V, 0603, X7R	26-10421-10	SM/C_0603
C108	Ceramic Capacitor SMD	100nK, 25V, 0603, X7R	26-10421-10	SM/C_0603
C109	Ceramic Capacitor SMD	100nK, 25V, 0603, X7R	26-10421-10	SM/C_0603
C110	Ceramic Capacitor SMD	100nK, 25V, 0603, X7R	26-10421-10	SM/C_0603
C111	Ceramic Capacitor SMD	100nK, 25V, 0603, X7R	26-10421-10	SM/C_0603
C112	Ceramic Capacitor SMD	100nK, 25V, 0603, X7R	26-10421-10	SM/C_0603
C113	Ceramic Capacitor SMD	100nK, 25V, 0603, X7R	26-10421-10	SM/C_0603
C114	Ceramic Capacitor SMD	100nK, 25V, 0603, X7R	26-10421-10	SM/C_0603
C115	Ceramic Capacitor SMD	100nK, 25V, 0603, X7R	26-10421-10	SM/C_0603
C116	Ceramic Capacitor SMD	100nK, 25V, 0603, X7R	26-10421-10	SM/C_0603
C117	Ceramic Capacitor SMD	100nK, 25V, 0603, X7R	26-10421-10	SM/C_0603
C118	Ceramic Capacitor SMD	100nK, 25V, 0603, X7R	26-10421-10	SM/C_0603
C119	Ceramic Capacitor SMD	100nK, 25V, 0603, X7R	26-10421-10	SM/C_0603
C120	Ceramic Capacitor SMD	100nK, 25V, 0603, X7R	26-10421-10	SM/C_0603
C121	Ceramic Capacitor SMD	100nK, 25V, 0603, X7R	26-10421-10	SM/C_0603
C122	Ceramic Capacitor SMD	100nK, 25V, 0603, X7R	26-10421-10	SM/C_0603
C123	Ceramic Capacitor SMD	100nK, 25V, 0603, X7R	26-10421-10	SM/C_0603
C124	Ceramic Capacitor SMD	100nK, 25V, 0603, X7R	26-10421-10	SM/C_0603
C125	Ceramic Capacitor SMD	22uF, 6.3V, 0805, X5R	26-22660-11	SM/C_0805
C126	Ceramic Capacitor SMD	22uF, 6.3V, 0805, X5R	26-22660-11	SM/C_0805
C127	Ceramic Capacitor SMD	22uF, 6.3V, 0805, X5R	26-22660-11	SM/C_0805
C128	Alu Electrolytic Capacitor	100uF, 25V, ±20%, 105°C	06-10121-12	Pitch=5.0mm, 6.3*11.5
C129	Ceramic Capacitor SMD	22uF, 6.3V, 0805, X5R	26-22660-11	SM/C_0805
C130	Ceramic Capacitor SMD	22uF, 6.3V, 0805, X5R	26-22660-11	SM/C_0805
C131	Alu Electrolytic Capacitor	470uF, 25V, ±20%, 105°C	06-47121-05	Pitch=5.0mm, 10*16
C132	Ceramic Capacitor SMD	100nK, 25V, 0603, X7R	26-10421-10	SM/C_0603
C133	Ceramic Capacitor SMD	2.2uF, 25V, 1210, 10%, X5R	26-22521-03	SM/C_1210
C134	Ceramic Capacitor SMD	22uF, 6.3V, 0805, X5R	26-22660-11	SM/C_0805
C135	Ceramic Capacitor SMD	100nK, 25V, 0603, X7R	26-10421-10	SM/C_0603
C136	Ceramic Capacitor SMD	2.2uFK, 10V, 0805, X5R	26-22511-11	SM/C_0805
C137	Ceramic Capacitor SMD	22uF, 6.3V, 0805, X5R	26-22660-11	SM/C_0805
C138	Alu Electrolytic Capacitor	HCN, 220uF, 6.3V, ±20%, 105°C	06-22160-05	Pitch=3.5mm, 8*11.5
C139	Ceramic Capacitor SMD	22uF, 6.3V, 0805, X5R	26-22660-11	SM/C_0805
C140	Ceramic Capacitor SMD	10nK, 50V, 0603, X7R	26-10351-00	SM/C_0603
C141	Ceramic Capacitor SMD	100nK, 25V, 0603, X7R	26-10421-10	SM/C_0603
C142	Ceramic Capacitor SMD	22uF, 6.3V, 0805, X5R	26-22660-11	SM/C_0805
C143	Ceramic Capacitor SMD	100nK, 25V, 0603, X7R	26-10421-10	SM/C_0603
C144	Ceramic Capacitor SMD	100nK, 25V, 0603, X7R	26-10421-10	SM/C_0603
C145	Ceramic Capacitor SMD	100nK, 25V, 0603, X7R	26-10421-10	SM/C_0603
C146	Ceramic Capacitor SMD	100nK, 25V, 0603, X7R	26-10421-10	SM/C_0603
C147	Ceramic Capacitor SMD	100nK, 25V, 0603, X7R	26-10421-10	SM/C_0603
C148	Ceramic Capacitor SMD	100nK, 25V, 0603, X7R	26-10421-10	SM/C_0603
C149	Ceramic Capacitor SMD	2.2uFK, 10V, 0805, X5R	26-22511-11	SM/C_0805
C150	Ceramic Capacitor SMD	100nK, 25V, 0603, X7R	26-10421-10	SM/C_0603
C151	Ceramic Capacitor SMD	2n7J, 50V, 0603, NPO	26-27251-10	SM/C_0603
C153	Ceramic Capacitor SMD	22nK, 50V, 0805, X7R	26-22351-01	SM/C_0805
C155	Ceramic Capacitor SMD	10nK, 50V, 0603, X7R	26-10351-00	SM/C_0603
C156	Ceramic Capacitor SMD	10nK, 50V, 0603, X7R	26-10351-00	SM/C_0603
C159	Ceramic Capacitor SMD	22uF, 6.3V, 0805, X5R	26-22660-11	SM/C_0805
C160	Ceramic Capacitor SMD	100nK, 25V, 0603, X7R	26-10421-10	SM/C_0603
C161	Ceramic Capacitor SMD	100nK, 25V, 0603, X7R	26-10421-10	SM/C_0603
C162	Ceramic Capacitor SMD	2.2uFK, 10V, 0805, X5R	26-22511-11	SM/C_0805

# ELECTRICAL PARTS LIST

DESIGNATOR	DESCRIPTION	PART TYPE	PART NUMBER	FOOTPRINT
C163	Ceramic Capacitor SMD	100nK, 25V, 0603, X7R	26-10421-10	SM/C_0603
C165	Ceramic Capacitor SMD	100nK, 25V, 0805, X7R	26-10421-01	SM/C_0805
C166	Ceramic Capacitor SMD	100nK, 25V, 0805, X7R	26-10421-01	SM/C_0805
C167	Ceramic Capacitor SMD	100nK, 25V, 0805, X7R	26-10421-01	SM/C_0805
C168	Ceramic Capacitor SMD	100nK, 25V, 0805, X7R	26-10421-01	SM/C_0805
C169	Alu Electrolytic Capacitor	100uF, 25V, ±20%, 105°C	06-10121-12	Pitch=5.0mm, 6.3*11.5
C170	Ceramic Capacitor SMD	100nK, 25V, 0603, X7R	26-10421-10	SM/C_0603
C171	Ceramic Capacitor SMD	22uF, 6.3V, 0805, X5R	26-22660-11	SM/C_0805
C172	Ceramic Capacitor SMD	100nK, 25V, 0805, X7R	26-10421-01	SM/C_0805
C173	Ceramic Capacitor SMD	100nK, 25V, 0805, X7R	26-10421-01	SM/C_0805
C174	Ceramic Capacitor SMD	100nK, 25V, 0805, X7R	26-10421-01	SM/C_0805
C175	Ceramic Capacitor SMD	100nK, 25V, 0805, X7R	26-10421-01	SM/C_0805
C176	Ceramic Capacitor SMD	33pJ, 50V, 0805, NPO	26-33051-01	SM/C_0805
C179	Ceramic Capacitor SMD	100nK, 25V, 0805, X7R	26-10421-01	SM/C_0805
C182	Ceramic Capacitor SMD	100nK, 25V, 0805, X7R	26-10421-01	SM/C_0805
C183	Ceramic Capacitor SMD	2.2uFK, 10V, 0805, X5R	26-22511-11	SM/C_0805
C184	Ceramic Capacitor SMD	100nK, 25V, 0603, X7R	26-10421-10	SM/C_0603
C185	Ceramic Capacitor SMD	100nK, 25V, 0603, X7R	26-10421-10	SM/C_0603
C186	Ceramic Capacitor SMD	100nK, 25V, 0603, X7R	26-10421-10	SM/C_0603
C187	Ceramic Capacitor SMD	100nK, 25V, 0603, X7R	26-10421-10	SM/C_0603
C188	Ceramic Capacitor SMD	100nK, 25V, 0603, X7R	26-10421-10	SM/C_0603
C191	Ceramic Capacitor SMD	330pJ, 50V, 0603, NPO	26-33151-00	SM/C_0603
C192	Ceramic Capacitor SMD	330pJ, 50V, 0603, NPO	26-33151-00	SM/C_0603
C193	Ceramic Capacitor SMD	330pJ, 50V, 0603, NPO	26-33151-00	SM/C_0603
C194	Ceramic Capacitor SMD	330pJ, 50V, 0603, NPO	26-33151-00	SM/C_0603
C198	Ceramic Capacitor SMD	10nK, 50V, 0603, X7R	26-10351-00	SM/C_0603
C199	Ceramic Capacitor SMD	10nK, 50V, 0603, X7R	26-10351-00	SM/C_0603
C350	Ceramic Capacitor SMD	22nK, 50V, 0603, X7R	26-22351-00	SM/C_0603
C351	Ceramic Capacitor SMD	22nK, 50V, 0603, X7R	26-22351-00	SM/C_0603
C353	Ceramic Capacitor SMD	2.2uFK, 10V, 0805, X5R	26-22511-11	SM/C_0805
C356	Ceramic Capacitor SMD	22uF, 6.3V, 0805, X5R	26-22660-11	SM/C_0805
C357	Ceramic Capacitor SMD	22uF, 6.3V, 0805, X5R	26-22660-11	SM/C_0805
C360	Ceramic Capacitor SMD	22uF, 6.3V, 0805, X5R	26-22660-11	SM/C_0805
C361	Ceramic Capacitor SMD	22uF, 6.3V, 0805, X5R	26-22660-11	SM/C_0805
C362	Ceramic Capacitor SMD	22nK, 50V, 0603, X7R	26-22351-00	SM/C_0603
C363	Ceramic Capacitor SMD	22nK, 50V, 0603, X7R	26-22351-00	SM/C_0603
C364	Ceramic Capacitor SMD	330pJ, 50V, 0603, NPO	26-33151-00	SM/C_0603
C365	Ceramic Capacitor SMD	330pJ, 50V, 0603, NPO	26-33151-00	SM/C_0603
<b>TRANSFORMER</b>				
T102	Audio Transformer	MS8121NL	22-12204-01	
<b>INDUCTOR</b>				
L101	Inductor SMD	10uH,HJ-1812-100K / P1812R-103K	08-04100-07	SM/L_1812
L102	Inductor SMD	10uH,HJ-1812-100K / P1812R-103K	08-04100-07	SM/L_1812
L103	Inductor SMD	10uH,HJ-1812-100K / P1812R-103K	08-04100-07	SM/L_1812
L104	Inductor SMD	10uH,HJ-1812-100K / P1812R-103K	08-04100-07	SM/L_1812
L106	Ferrite Bead SMD	BLM21BD102SN1(1K@100M)	08-04102-03	SM/L_0805
L107	Ferrite Bead SMD	BLM21BD102SN1(1K@100M)	08-04102-03	SM/L_0805
L108	Ferrite Bead SMD	BLM21BD102SN1(1K@100M)	08-04102-03	SM/L_0805
L109	Ferrite Bead SMD	BLM21BD102SN1(1K@100M)	08-04102-03	SM/L_0805
L110	Ferrite Bead SMD	BLM21BD102SN1(1K@100M)	08-04102-03	SM/L_0805
<b>CONNECTOR</b>				
J102	Mic Connector	NC3FAH2	J17-09003-08	
J104	FPC Connector SMD	1.0-9-20PB	13-21020-01	SMD20*1.0mm
J105	Connector	LD2.5A-12A	13-22512-03	S=2.5mm
J106	FPC Connector SMD	1.0-9-20PB	13-21020-01	SMD20*1.0mm
J107	Connector	2011-2X2GS	13-12504-08	S=2.5mm
J108	FPC Connector SMD	1.0-9-20PB	13-21020-01	SMD20*1.0mm
J109	Connector	CNT-M254-2*5-GS-6/3-N	13-12510-14	S=2.5mm
J110	FPC Connector SMD	1.0-9-15PB	13-21015-00	SMD15*1.0mmW
J112	FPC Connector SMD	1.0-9-10PB	13-21010-00	SMD10*1.0mmW
OP100	Optical Receive	TORX147L(25M,F,T)	J03-00147-01	
OP101	Optical Receive	TORX147L(25M,F,T)	J03-00147-01	
OP102	Optical Receive	TORX147L(25M,F,T)	J03-00147-01	
OP103	Optical Transmission	TOTX147L(25M,F,T)	J03-00147-00	

# ELECTRICAL PARTS LIST

DESIGNATOR	DESCRIPTION	PART TYPE	PART NUMBER	FOOTPRINT
<b>P/N 01-50202-00 PCB2 BOARD (ANALOG BOARD)</b>				
<b>DIODE</b>				
D200	Switch Diode	1N4148W-NR	33-44148-17	SOD123
D201	Switch Diode	1N4148W-NR	33-44148-17	SOD123
D202	Switch Diode	1N4148W-NR	33-44148-17	SOD123
D203	Switch Diode	1N4148W-NR	33-44148-17	SOD123
D204	Switch Diode	1N4148W-NR	33-44148-17	SOD123
D205	Switch Diode	1N4148W-NR	33-44148-17	SOD123
D206	Schottky Diode	BAT54S	33-40054-00	SOT-23
D207	Schottky Diode	BAT54S	33-40054-00	SOT-23
D208	Schottky Diode	BAT54S	33-40054-00	SOT-23
D209	Schottky Diode	BAT54S	33-40054-00	SOT-23
D210	Switch Diode	1SS352	33-40352-01	SOD-323
D211	Switch Diode	1SS352	33-40352-01	SOD-323
D214	Rectifier Diode	M1	33-20001-01	SMA
D215	Switch Diode	1N4148W-NR	33-44148-17	SOD123
D216	Switch Diode	1N4148W-NR	33-44148-17	SOD123
D217	GREEN LED	SML-310MTT86	33-50603-01	0603_LED
D218	GREEN LED	SML-310MTT86	33-50603-01	0603_LED
D219	Switch Diode	1SS352	33-40352-01	SOD-323
D220	Switch Diode	1SS352	33-40352-01	SOD-323
<b>TRANSISTOR</b>				
Q200	Transistor	C1815	31-01815-03	SOT-23A
Q201	Transistor	C1815	31-01815-03	SOT-23A
Q202	Transistor	C1815	31-01815-03	SOT-23A
Q203	Transistor	C1815	31-01815-03	SOT-23A
Q204	Transistor	C1815	31-01815-03	SOT-23A
Q205	Transistor	C1815	31-01815-03	SOT-23A
Q206	Transistor	DTC114EKA	31-00114-05	SOT-23
Q207	Transistor	DTC114EKA	31-00114-05	SOT-23
<b>IC</b>				
U201	Opamp	LM4562MA	J03-04562-01	SOIC-8
U202	Opamp	LM4562MA	J03-04562-01	SOIC-8
U203	Opamp	OPA1632DGN	J03-01632-01	MSOP-8
U204	Opamp	OPA2227UA	J03-02227-01	SOIC-8
U205	Opamp	OPA1632DGN	J03-01632-01	MSOP-8
U206	analog to Digital convertor	PCM4220PFB	J03-04220-01	TQFP-48
U207	SCHMITT DRIVER	NC7WZ17	03-00717-01	SC70
U208	Regulator	LM1117MPX-ADJ	J03-01117-12	SOT223
U209	Crystal	24.576MHz 10ppm CL=15PF	04-22452-02	SMD 5*7
U210	D-TYPE FLIP FLOPS	SN74LVC74APWR	03-07474-04	TSSOP14
U211	3-Terminal Regulator	LM317T	03-00317-00	TO-220
U212	3-Terminal Regulator	LM337T	03-00337-00	TO-220
U213	SCHMITT DRIVER	NC7WZ17	03-00717-01	SC70
U214	SCHMITT DRIVER	NC7WZ17	03-00717-01	SC70
U215	Octal Buffer	NC7WZ16P6X	03-00716-01	SC70-6
U216	Octal Buffer	NC7WZ16P6X	03-00716-01	SC70-6
U217	3-Terminal Regulator	LM7805	03-07805-00	TO-220
U218	Regulator	AMS1117-3.3	03-01117-06	SOT223
<b>RESISTOR</b>				
R200	Chip Resistor	1megΩ, 1/8W, ±5%	07-90105-01	SM/R_0805
R201	Chip Resistor	1megΩ, 1/8W, ±5%	07-90105-01	SM/R_0805
R202	Chip Resistor	1megΩ, 1/8W, ±5%	07-90105-01	SM/R_0805
R203	Chip Resistor	1megΩ, 1/8W, ±5%	07-90105-01	SM/R_0805
R204	Chip Resistor	1megΩ, 1/8W, ±5%	07-90105-01	SM/R_0805
R205	Chip Resistor	1megΩ, 1/8W, ±5%	07-90105-01	SM/R_0805
R206	Chip Resistor	4.7KΩ, 1/10W, ±5%	07-90472-00	SM/R_0603
R207	Chip Resistor	4.7KΩ, 1/10W, ±5%	07-90472-00	SM/R_0603
R208	Chip Resistor	4.7KΩ, 1/10W, ±5%	07-90472-00	SM/R_0603
R209	Chip Resistor	4.7KΩ, 1/10W, ±5%	07-90472-00	SM/R_0603
R210	Chip Resistor	4.7KΩ, 1/10W, ±5%	07-90472-00	SM/R_0603
R211	Chip Resistor	4.7KΩ, 1/10W, ±5%	07-90472-00	SM/R_0603
R212	Chip Resistor	4.7KΩ, 1/10W, ±5%	07-90472-00	SM/R_0603
R213	Chip Resistor	4.7KΩ, 1/10W, ±5%	07-90472-00	SM/R_0603

# ELECTRICAL PARTS LIST

DESIGNATOR	DESCRIPTION	PART TYPE	PART NUMBER	FOOTPRINT
R214	Chip Resistor	4.7K $\Omega$ , 1/10W, $\pm$ 5%	07-90472-00	SM/R_0603
R215	Chip Resistor	4.7K $\Omega$ , 1/10W, $\pm$ 5%	07-90472-00	SM/R_0603
R216	Chip Resistor	4.7K $\Omega$ , 1/10W, $\pm$ 5%	07-90472-00	SM/R_0603
R217	Chip Resistor	4.7K $\Omega$ , 1/10W, $\pm$ 5%	07-90472-00	SM/R_0603
R218	Chip Resistor	1K $\Omega$ , 1/10W, $\pm$ 5%	07-90102-00	SM/R_0603
R219	Chip Resistor	1K $\Omega$ , 1/10W, $\pm$ 5%	07-90102-00	SM/R_0603
R220	Chip Resistor	332 $\Omega$ , 1/8W, $\pm$ 1%	07-93320-01	SM/R_0805
R221	Chip Resistor	332 $\Omega$ , 1/8W, $\pm$ 1%	07-93320-01	SM/R_0805
R222	Chip Resistor	332 $\Omega$ , 1/8W, $\pm$ 1%	07-93320-01	SM/R_0805
R223	Chip Resistor	332 $\Omega$ , 1/8W, $\pm$ 1%	07-93320-01	SM/R_0805
R224	Chip Resistor	AR1206, 274 $\Omega$ , $\pm$ 0.5%, 50PPM	07-92740-12	SM/R_1206
R225	Chip Resistor	AR1206, 274 $\Omega$ , $\pm$ 0.5%, 50PPM	07-92740-12	SM/R_1206
R226	Chip Resistor	AR1206, 137 $\Omega$ , $\pm$ 0.5%, 50PPM	07-91370-12	SM/R_1206
R227	Chip Resistor	AR1206, 274 $\Omega$ , $\pm$ 0.5%, 50PPM	07-92740-12	SM/R_1206
R228	Chip Resistor	AR1206, 274 $\Omega$ , $\pm$ 0.5%, 50PPM	07-92740-12	SM/R_1206
R229	Chip Resistor	AR1206, 137 $\Omega$ , $\pm$ 0.5%, 50PPM	07-91370-12	SM/R_1206
R230	Chip Resistor	AR1206, 274 $\Omega$ , $\pm$ 0.5%, 50PPM	07-92740-12	SM/R_1206
R231	Chip Resistor	AR1206, 274 $\Omega$ , $\pm$ 0.5%, 50PPM	07-92740-12	SM/R_1206
R232	Chip Resistor	AR1206, 137 $\Omega$ , $\pm$ 0.5%, 50PPM	07-91370-12	SM/R_1206
R233	Chip Resistor	AR1206, 274 $\Omega$ , $\pm$ 0.5%, 50PPM	07-92740-12	SM/R_1206
R234	Chip Resistor	AR1206, 274 $\Omega$ , $\pm$ 0.5%, 50PPM	07-92740-12	SM/R_1206
R235	Chip Resistor	AR1206, 137 $\Omega$ , $\pm$ 0.5%, 50PPM	07-91370-12	SM/R_1206
R236	Chip Resistor	AR1206, 499 $\Omega$ , $\pm$ 0.5%, 50PPM	07-94990-12	SM/R_1206
R237	Chip Resistor	AR1206, 499 $\Omega$ , $\pm$ 0.5%, 50PPM	07-94990-12	SM/R_1206
R238	Chip Resistor	AR1206, 499 $\Omega$ , $\pm$ 0.5%, 50PPM	07-94990-12	SM/R_1206
R239	Chip Resistor	AR1206, 499 $\Omega$ , $\pm$ 0.5%, 50PPM	07-94990-12	SM/R_1206
R240	Chip Resistor	100K $\Omega$ , 1/8W, $\pm$ 5%	07-90104-01	SM/R_0805
R241	Chip Resistor	100K $\Omega$ , 1/8W, $\pm$ 5%	07-90104-01	SM/R_0805
R242	Chip Resistor	100K $\Omega$ , 1/8W, $\pm$ 5%	07-90104-01	SM/R_0805
R243	Chip Resistor	100K $\Omega$ , 1/8W, $\pm$ 5%	07-90104-01	SM/R_0805
R244	Chip Resistor	AR1206, 274 $\Omega$ , $\pm$ 0.5%, 50PPM	07-92740-12	SM/R_1206
R245	Chip Resistor	AR1206, 274 $\Omega$ , $\pm$ 0.5%, 50PPM	07-92740-12	SM/R_1206
R246	Chip Resistor	AR1206, 274 $\Omega$ , $\pm$ 0.5%, 50PPM	07-92740-12	SM/R_1206
R247	Chip Resistor	AR1206, 274 $\Omega$ , $\pm$ 0.5%, 50PPM	07-92740-12	SM/R_1206
R248	Chip Resistor	AR1206, 41.2 $\Omega$ , $\pm$ 1%, 50PPM	07-94129-02	SM/R_1206
R249	Chip Resistor	AR1206, 41.2 $\Omega$ , $\pm$ 1%, 50PPM	07-94129-02	SM/R_1206
R250	Chip Resistor	AR1206, 41.2 $\Omega$ , $\pm$ 1%, 50PPM	07-94129-02	SM/R_1206
R251	Chip Resistor	AR1206, 41.2 $\Omega$ , $\pm$ 1%, 50PPM	07-94129-02	SM/R_1206
R252	Chip Resistor	AR0805, 133 $\Omega$ , $\pm$ 0.5%, 50PPM	07-91330-11	SM/R_0805
R253	Chip Resistor	AR0805, 133 $\Omega$ , $\pm$ 0.5%, 50PPM	07-91330-11	SM/R_0805
R254	Chip Resistor	AR0805, 133 $\Omega$ , $\pm$ 0.5%, 50PPM	07-91330-11	SM/R_0805
R255	Chip Resistor	AR0805, 133 $\Omega$ , $\pm$ 0.5%, 50PPM	07-91330-11	SM/R_0805
R256	Chip Resistor	AR1206, 634 $\Omega$ , $\pm$ 0.5%, 50PPM	07-96340-12	SM/R_1206
R257	Chip Resistor	AR1206, 634 $\Omega$ , $\pm$ 0.5%, 50PPM	07-96340-12	SM/R_1206
R258	Chip Resistor	10K $\Omega$ , 1/10W, $\pm$ 5%	07-90103-00	SM/R_0603
R259	Chip Resistor	56K $\Omega$ , 1/8W, $\pm$ 5%	07-90563-01	SM/R_0805
R260	Chip Resistor	56K $\Omega$ , 1/8W, $\pm$ 5%	07-90563-01	SM/R_0805
R261	Chip Resistor	56K $\Omega$ , 1/8W, $\pm$ 5%	07-90563-01	SM/R_0805
R262	Chip Resistor	56K $\Omega$ , 1/8W, $\pm$ 5%	07-90563-01	SM/R_0805
R263	Chip Resistor	56K $\Omega$ , 1/8W, $\pm$ 5%	07-90563-01	SM/R_0805
R264	Chip Resistor	56K $\Omega$ , 1/8W, $\pm$ 5%	07-90563-01	SM/R_0805
R265	Chip Resistor	243 $\Omega$ , 1/8W, $\pm$ 1%	07-92430-01	SM/R_0805
R266	Chip Resistor	536 $\Omega$ , 1/8W, $\pm$ 1%	07-95360-01	SM/R_0805
R267	Chip Resistor	10K $\Omega$ , 1/10W, $\pm$ 5%	07-90103-00	SM/R_0603
R269	Chip Resistor	82 $\Omega$ , 1/10W, $\pm$ 1%	07-98209-00	SM/R_0603
R270	Chip Resistor	82 $\Omega$ , 1/8W, $\pm$ 1%	07-98209-01	SM/R_0805
R271	Chip Resistor	82 $\Omega$ , 1/10W, $\pm$ 1%	07-98209-00	SM/R_0603
R272	Chip Resistor	100 $\Omega$ , 1/8W, $\pm$ 5%	07-90101-01	SM/R_0805
R275	Chip Resistor	200 $\Omega$ , 1/8W, $\pm$ 1%	07-92000-01	SM/R_0805
R276	Chip Resistor	2.1K $\Omega$ , 1/8W, $\pm$ 1%	07-92101-01	SM/R_0805
R277	Chip Resistor	2.1K $\Omega$ , 1/8W, $\pm$ 1%	07-92101-01	SM/R_0805
R278	Chip Resistor	200 $\Omega$ , 1/8W, $\pm$ 1%	07-92000-01	SM/R_0805
R279	Chip Resistor	100 $\Omega$ , 1/10W, $\pm$ 5%	07-90101-00	SM/R_0603
R280	Chip Resistor	100 $\Omega$ , 1/10W, $\pm$ 5%	07-90101-00	SM/R_0603

# ELECTRICAL PARTS LIST

DESIGNATOR	DESCRIPTION	PART TYPE	PART NUMBER	FOOTPRINT
R281	Chip Resistor	100Ω, 1/10W, ±5%	07-90101-00	SM/R_0603
R282	Chip Resistor	82Ω, 1/10W, ±1%	07-98209-00	SM/R_0603
R283	Chip Resistor	100Ω, 1/10W, ±5%	07-90101-00	SM/R_0603
R284	Chip Resistor	100Ω, 1/10W, ±5%	07-90101-00	SM/R_0603
R285	Chip Resistor	100Ω, 1/10W, ±5%	07-90101-00	SM/R_0603
R286	Chip Resistor	820Ω, 1/10W, ±5%	07-90821-00	SM/R_0603
R287	Chip Resistor	820Ω, 1/10W, ±5%	07-90821-00	SM/R_0603
R288	Chip Resistor	100Ω, 1/8W, ±5%	07-90101-01	SM/R_0805
R289	RES NET	120RJ	07-90121-10	R0603X4
<b>CAPACITOR</b>				
C200	Polyester Film Capacitor	1UF, 63V, ±5%	25-10561-00	Pitch=5mm
C201	Polyester Film Capacitor	1UF, 63V, ±5%	25-10561-00	Pitch=5mm
C202	Polyester Film Capacitor	1UF, 63V, ±5%	25-10561-00	Pitch=5mm
C203	Polyester Film Capacitor	1UF, 63V, ±5%	25-10561-00	Pitch=5mm
C204	Polyester Film Capacitor	1UF, 63V, ±5%	25-10561-00	Pitch=5mm
C205	Polyester Film Capacitor	1UF, 63V, ±5%	25-10561-00	Pitch=5mm
C206	Ceramic Capacitor SMD	10nK, 50V, 0603, X7R	26-10351-00	SM/C_0603
C207	Ceramic Capacitor SMD	10nK, 50V, 0603, X7R	26-10351-00	SM/C_0603
C208	Ceramic Capacitor SMD	10nK, 50V, 0603, X7R	26-10351-00	SM/C_0603
C209	Ceramic Capacitor SMD	10nK, 50V, 0603, X7R	26-10351-00	SM/C_0603
C210	Ceramic Capacitor SMD	10nK, 50V, 0603, X7R	26-10351-00	SM/C_0603
C211	Ceramic Capacitor SMD	10nK, 50V, 0603, X7R	26-10351-00	SM/C_0603
C212	Ceramic Capacitor SMD	100pJ, 50V, 0603, NPO	26-10151-00	SM/C_0603
C213	Ceramic Capacitor SMD	100pJ, 50V, 0603, NPO	26-10151-00	SM/C_0603
C214	Ceramic Capacitor SMD	100pJ, 50V, 0603, NPO	26-10151-00	SM/C_0603
C215	Ceramic Capacitor SMD	100pJ, 50V, 0603, NPO	26-10151-00	SM/C_0603
C216	Ceramic Capacitor SMD	100pJ, 50V, 0603, NPO	26-10151-00	SM/C_0603
C217	Ceramic Capacitor SMD	100pJ, 50V, 0603, NPO	26-10151-00	SM/C_0603
C218	Ceramic Capacitor SMD	100nK, 25V, 0603, X7R	26-10421-10	SM/C_0603
C219	Ceramic Capacitor SMD	100nK, 25V, 0603, X7R	26-10421-10	SM/C_0603
C220	Ceramic Capacitor SMD	100nK, 25V, 0603, X7R	26-10421-10	SM/C_0603
C221	Ceramic Capacitor SMD	100nK, 25V, 0603, X7R	26-10421-10	SM/C_0603
C222	Ceramic Capacitor SMD	100nK, 25V, 0603, X7R	26-10421-10	SM/C_0603
C223	Ceramic Capacitor SMD	100nK, 25V, 0603, X7R	26-10421-10	SM/C_0603
C224	Ceramic Capacitor SMD	100nK, 25V, 0603, X7R	26-10421-10	SM/C_0603
C225	Ceramic Capacitor SMD	100nK, 25V, 0603, X7R	26-10421-10	SM/C_0603
C226	Ceramic Capacitor SMD	100nK, 25V, 0603, X7R	26-10421-10	SM/C_0603
C227	Ceramic Capacitor SMD	100nK, 25V, 0603, X7R	26-10421-10	SM/C_0603
C228	Ceramic Capacitor SMD	2.2uFK, 10V, 0805, X5R	26-22511-11	SM/C_0805
C229	Ceramic Capacitor SMD	2.2uFK, 10V, 0805, X5R	26-22511-11	SM/C_0805
C230	Ceramic Capacitor SMD	100nK, 25V, 0603, X7R	26-10421-10	SM/C_0603
C231	Ceramic Capacitor SMD	100nK, 25V, 0603, X7R	26-10421-10	SM/C_0603
C232	Ceramic Capacitor SMD	100nK, 25V, 0603, X7R	26-10421-10	SM/C_0603
C233	Ceramic Capacitor SMD	100nK, 25V, 0603, X7R	26-10421-10	SM/C_0603
C234	Ceramic Capacitor SMD	100nK, 25V, 0603, X7R	26-10421-10	SM/C_0603
C235	ALU Electrolytic Capacitor	100uF, 25V, ±20%, 105 °C	06-10121-11	Pitch=2.5mm
C236	ALU Electrolytic Capacitor	100uF, 25V, ±20%, 105 °C	06-10121-11	Pitch=2.5mm
C237	Ceramic Capacitor SMD	2n2J, 50V, 0805, NPO	26-22251-21	SM/C_0805
C238	Ceramic Capacitor SMD	2n2J, 50V, 0805, NPO	26-22251-21	SM/C_0805
C239	Ceramic Capacitor SMD	2n2J, 50V, 0805, NPO	26-22251-21	SM/C_0805
C240	Ceramic Capacitor SMD	2n2J, 50V, 0805, NPO	26-22251-21	SM/C_0805
C241	Ceramic Capacitor SMD	100nK, 25V, 0603, X7R	26-10421-10	SM/C_0603
C242	Ceramic Capacitor SMD	180pJ, 50V, 0805, NPO	26-18151-01	SM/C_0805
C243	Ceramic Capacitor SMD	180pJ, 50V, 0805, NPO	26-18151-01	SM/C_0805
C244	Ceramic Capacitor SMD	180pJ, 50V, 0805, NPO	26-18151-01	SM/C_0805
C245	Ceramic Capacitor SMD	180pJ, 50V, 0805, NPO	26-18151-01	SM/C_0805
C246	Ceramic Capacitor SMD	100nK, 25V, 0603, X7R	26-10421-10	SM/C_0603
C247	Ceramic Capacitor SMD	22uF, 6.3V, 0805, X5R	26-22660-11	SM/C_0805
C248	Ceramic Capacitor SMD	22uF, 6.3V, 0805, X5R	26-22660-11	SM/C_0805
C249	Ceramic Capacitor SMD	2n7J, 50V, 0805, NPO	26-27251-11	SM/C_0805
C250	Ceramic Capacitor SMD	2n7J, 50V, 0805, NPO	26-27251-11	SM/C_0805
C251	Ceramic Capacitor SMD	100nK, 25V, 0603, X7R	26-10421-10	SM/C_0603
C252	Ceramic Capacitor SMD	100nK, 25V, 0603, X7R	26-10421-10	SM/C_0603
C253	Ceramic Capacitor SMD	100nK, 25V, 0603, X7R	26-10421-10	SM/C_0603

# ELECTRICAL PARTS LIST

DESIGNATOR	DESCRIPTION	PART TYPE	PART NUMBER	FOOTPRINT
C254	Ceramic Capacitor SMD	10uF, 25V, 1206, X5R	26-10621-12	SM/C_1206
C255	Chip Tan capacitor	100uF,6.3V,20%,3528	27-10160-00	3528B
C256	Ceramic Capacitor SMD	22uF, 6.3V, 0805, X5R	26-22660-11	SM/C_0805
C257	Chip Tan capacitor	100uF,6.3V,20%,3528	27-10160-00	3528B
C258	Ceramic Capacitor SMD	22uF, 6.3V, 0805, X5R	26-22660-11	SM/C_0805
C259	Ceramic Capacitor SMD	1nJ, 50V, 0805, NPO	26-10251-11	SM/C_0805
C260	Chip Tan capacitor	100uF,6.3V,20%,3528	27-10160-00	3528B
C261	Ceramic Capacitor SMD	10uF, 25V, 1206, X5R	26-10621-12	SM/C_1206
C264	Ceramic Capacitor SMD	100nK, 25V, 0603, X7R	26-10421-10	SM/C_0603
C265	Ceramic Capacitor SMD	33PJ, 50V, 0805, NPO	26-33051-01	SM/C_0805
C266	Ceramic Capacitor SMD	10uF, 25V, 1206, X5R	26-10621-12	SM/C_1206
C267	Ceramic Capacitor SMD	10uF, 25V, 1206, X5R	26-10621-12	SM/C_1206
C268	ALU Electrolytic Capacitor	330uF, 25V, ±20%, 105 °C	06-33121-01	Pitch=3.5mm
C269	ALU Electrolytic Capacitor	330uF, 25V, ±20%, 105 °C	06-33121-01	Pitch=3.5mm
C270	Ceramic Capacitor SMD	10uF, 25V, 1206, X5R	26-10621-12	SM/C_1206
C271	Ceramic Capacitor SMD	10uF, 25V, 1206, X5R	26-10621-12	SM/C_1206
C272	Ceramic Capacitor SMD	4.7uFK, 25V, 1206, X7R	26-47521-02	SM/C_1206
C273	Ceramic Capacitor SMD	4.7uFK, 25V, 1206, X7R	26-47521-02	SM/C_1206
C274	Chip Tan capacitor	100uF,6.3V,20%,3528	27-10160-00	3528B
C275	Ceramic Capacitor SMD	33PJ, 50V, 0805, NPO	26-33051-01	SM/C_0805
C276	ALU Electrolytic Capacitor	330uF, 25V, ±20%, 105 °C	06-33121-01	Pitch=3.5mm
C277	Ceramic Capacitor SMD	100nK, 25V, 0603, X7R	26-10421-10	SM/C_0603
C278	Ceramic Capacitor SMD	100nK, 25V, 0603, X7R	26-10421-10	SM/C_0603
C279	Ceramic Capacitor SMD	100nK, 25V, 0603, X7R	26-10421-10	SM/C_0603
C281	ALU Electrolytic Capacitor	22UF, 25V, 20%, 105 °C	06-22021-05	Pitch=2.5mm
C282	ALU Electrolytic Capacitor	22UF, 25V, 20%, 105 °C	06-22021-05	Pitch=2.5mm
C283	Ceramic Capacitor SMD	10uFK, 10V, 0805, X5R	26-10611-11	SM/C_0805
C284	Ceramic Capacitor SMD	10uF, 25V, 1206, X5R	26-10621-12	SM/C_1206
C285	Ceramic Capacitor SMD	10uF, 25V, 1206, X5R	26-10621-12	SM/C_1206
<b>INDUCTOR</b>				
L201	Inductor SMD	10uH,HJ-1812-100K / P1812R-103K	08-04100-07	SM/L_1812
L202	Inductor SMD	10uH,HJ-1812-100K / P1812R-103K	08-04100-07	SM/L_1812
<b>RELAY</b>				
RL201	Signal Relay	HFD3/5	12-02202-10	
RL202	Signal Relay	HFD3/5	12-02202-10	
RL203	Signal Relay	HFD3/5	12-02202-10	
RL204	Signal Relay	HFD3/5	12-02202-10	
RL205	Signal Relay	HFD3/5	12-02202-10	
RL206	Signal Relay	HFD3/5	12-02202-10	
<b>CONNECTOR</b>				
J200	RCA	HANSONG RCA,WHITE	17-01001-15	
J201	Mic Connector	NC3FAH2	J17-09003-08	
J202	Mic Connector	NC3FAH2	J17-09003-08	
J204	Connector Socket	XHB 2.5A-6A	13-22506-00	
J205	RCA	HANSONG RCA,RED	17-01001-16	
J206	FFC Socket SMD	1.0-9-20PWB	13-21020-05	SMD20*1.0mm
<b>P/N 01-50203-00 PCB3 BOARD ( INTERFACE BOARD)</b>				
<b>DIODE</b>				
D300	Switch Diode	1N4148W-NR	33-44148-17	SOD123
D301	Switch Diode	1N4148W-NR	33-44148-17	SOD123
D302	Zener Diode	4V7,1/2W	33-14709-10	LL34
D303	Zener Diode	4V7,1/2W	33-14709-10	LL34
D304	Switch Diode	1SS352	33-40352-01	SOD-323
D305	Switch Diode	1SS352	33-40352-01	SOD-323
D306	Switch Diode	1SS352	33-40352-01	SOD-323
D307	Switch Diode	1SS352	33-40352-01	SOD-323
D308	Switch Diode	1SS352	33-40352-01	SOD-323
D309	Switch Diode	1SS352	33-40352-01	SOD-323
<b>TRANSISTOR</b>				
Q301	Transistor	KSA1220A-Y	31-01220-00	TO-126
Q302	Transistor	DTC114EKA	31-00114-05	SOT23
<b>IC</b>				
U301	SCHMITT DRIVER	NC7WZ17	03-00717-01	SC70
U302	RS232 Interface	MAX3221	03-03221-02	SSOP16

# ELECTRICAL PARTS LIST

DESIGNATOR	DESCRIPTION	PART TYPE	PART NUMBER	FOOTPRINT
<b>RESISTOR</b>				
R300	Chip Resistor	3.9Ω, 1/8W, ±1%	07-93908-01	SM/R_0805
R301	Chip Resistor	10Ω, 1/8W, ±5%	07-90100-01	SM/R_0805
R302	Chip Resistor	10KΩ, 1/10W, ±5%	07-90103-00	SM/R_0603
R303	Chip Resistor	2.2KΩ, 1/10W, ±5%	07-90222-00	SM/R_0603
R304	Chip Resistor	2.7KΩ, 1/10W, ±5%	07-90272-00	SM/R_0603
R305	Chip Resistor	10KΩ, 1/10W, ±5%	07-90103-00	SM/R_0603
R306	Chip Resistor	6.8KΩ, 1/10W, ±5%	07-90682-00	SM/R_0603
R307	Chip Resistor	10Ω, 1/8W, ±5%	07-90100-01	SM/R_0805
R308	Chip Resistor	10Ω, 1/8W, ±5%	07-90100-01	SM/R_0805
R309	Chip Resistor	10KΩ, 1/10W, ±5%	07-90103-00	SM/R_0603
R310	Chip Resistor	120Ω, 1/10W, ±5%	07-90121-00	SM/R_0603
R311	Chip Resistor	10KΩ, 1/10W, ±5%	07-90103-00	SM/R_0603
R312	Chip Resistor	120Ω, 1/10W, ±5%	07-90121-00	SM/R_0603
R313	Chip Resistor	120Ω, 1/10W, ±5%	07-90121-00	SM/R_0603
R314	Chip Resistor	100Ω, 1/8W, ±5%	07-90101-01	SM/R_0805
R315	Chip Resistor	100Ω, 1/8W, ±5%	07-90101-01	SM/R_0805
R316	Chip Resistor	10Ω, 1/8W, ±5%	07-90100-01	SM/R_0805
R317	Chip Resistor	3.9Ω, 1/8W, ±1%	07-93908-01	SM/R_0805
<b>CAPACITOR</b>				
C300	Ceramic Capacitor SMD	100nK, 25V, 0603, X7R	26-10421-10	SM/C_0603
C301	Ceramic Capacitor SMD	100nK, 25V, 0603, X7R	26-10421-10	SM/C_0603
C302	Ceramic Capacitor SMD	100nK, 25V, 0603, X7R	26-10421-10	SM/C_0603
C303	Ceramic Capacitor SMD	22nK, 50V, 0805, X7R	26-22351-01	SM/C_0805
C304	Ceramic Capacitor SMD	100nK, 25V, 0603, X7R	26-10421-10	SM/C_0603
C305	Ceramic Capacitor SMD	4n7K, 50V, 0603, X7R	26-47251-00	SM/C_0603
C306	Low ESL Feed Through	100p, 50V, 0805, X5R	26-10151-11	SM/C_0805
C307	Low ESL Feed Through	100p, 50V, 0805, X5R	26-10151-11	SM/C_0805
C308	Ceramic Capacitor SMD	470nK, 16V, 0603, X7R	26-47411-10	SM/C_0603
C309	Ceramic Capacitor SMD	470nK, 16V, 0603, X7R	26-47411-10	SM/C_0603
C310	Ceramic Capacitor SMD	470nK, 16V, 0603, X7R	26-47411-10	SM/C_0603
C311	Ceramic Capacitor SMD	100nK, 25V, 0603, X7R	26-10421-10	SM/C_0603
C312	Ceramic Capacitor SMD	22uF, 6.3V, 0805, X5R	26-22660-11	SM/C_0805
C313	ALU Electrolytic Capacitor	100uF/25V, 20%, 105 °C	06-10121-02	Pitch=5.0mm
C314	Ceramic Capacitor SMD	22uF, 6.3V, 0805, X5R	26-22660-11	SM/C_0805
C315	Ceramic Capacitor SMD	22nK, 50V, 0805, X7R	26-22351-01	SM/C_0805
C316	Ceramic Capacitor SMD	22nK, 50V, 0805, X7R	26-22351-01	SM/C_0805
C317	Ceramic Capacitor SMD	22uF, 6.3V, 0805, X5R	26-22660-11	SM/C_0805
<b>CONNECTOR</b>				
J301	3.5 PHONE JACK	ST-323B-04 / CKX-3.5-02-3P	17-02001-04	
J301	3.5 PHONE JACK	SCJ349P00XS0B01	17-02001-03	
J302	3.5 PHONE JACK	ST-323B-04 / CKX-3.5-02-3P	17-02001-04	
J302	3.5 PHONE JACK	SCJ349P00XS0B01	17-02001-03	
J303	RS232 Socket	RS232/F,7906-09FHA	17-08009-00	
J305	3.5 PHONE JACK	ST-323B-04 / CKX-3.5-02-3P	17-02001-04	
J305	3.5 PHONE JACK	SCJ349P00XS0B01	17-02001-03	
J310	FPC Connector SMD	1.0-9-15PB	13-21015-00	SMD15*1.0mmW
<b>SWITCH</b>				
S301	Slide Switch	5MS1S102M7QE	11-05102-00	
S302	Slide Switch	5MS1S102M7QE	11-05102-00	
<b>P/N 01-50204-00 PCB4 BOARD (FPP BOARD)</b>				
<b>DIODE</b>				
D402	LED (three color)	φ5, BL-BB3JCUB2C4V-1-10F	33-50565-12	
D403	Switch Diode	1SS352	33-40352-01	SOD-323
D404	Switch Diode	1SS352	33-40352-01	SOD-323
D405	Switch Diode	1SS352	33-40352-01	SOD-323
D406	Switch Diode	1SS352	33-40352-01	SOD-323
D407	Rectifier Diode	M1	33-20001-01	SMA
<b>TRANSISTOR</b>				
Q400	Transistor	DTA114EKA	31-00114-01	SOT23
Q401	Transistor	DTA114EKA	31-00114-01	SOT23
Q402	Transistor	DTA114EKA	31-00114-01	SOT23
<b>IC</b>				
U400	Octal Buffer	74LCX244	03-00244-01	SOIC20

# ELECTRICAL PARTS LIST

DESIGNATOR	DESCRIPTION	PART TYPE	PART NUMBER	FOOTPRINT
U401	Octal Buffer	NC7WZ16P6X	03-00716-01	SC70-6
U402	REGISTER	74VHC164MX-NL	J03-00164-01	SOIC14
U403	REGISTER	74VHC164MX-NL	J03-00164-01	SOIC14
U404	IR SENSOR	FM-5038LN-5CN	03-05038-00	
U406	REGISTER	MM74HC165M	03-00165-01	SOIC16
U407	REGISTER	MM74HC165M	03-00165-01	SOIC16
U409	3-Terminal Regulator	LM7805	03-07805-00	TO-220
M400	VFD MODULE	20S207DA1	J23-20207-00	
<b>RESISTOR</b>				
R400	Chip Resistor	0Ω, 1/10W, ±5%	07-90000-00	SM/R_0603
R401	Chip Resistor	0Ω, 1/10W, ±5%	07-90000-00	SM/R_0603
R402	Chip Resistor	0Ω, 1/10W, ±5%	07-90000-00	SM/R_0603
R403	Chip Resistor	0Ω, 1/10W, ±5%	07-90000-00	SM/R_0603
R404	Chip Resistor	330Ω, 1/8W, ±5%	07-90331-01	SM/R_0805
R405	Chip Resistor	330Ω, 1/8W, ±5%	07-90331-01	SM/R_0805
R406	Chip Resistor	330Ω, 1/8W, ±5%	07-90331-01	SM/R_0805
R407	Chip Resistor	10KΩ, 1/10W, ±5%	07-90103-00	SM/R_0603
R408	Chip Resistor	10KΩ, 1/10W, ±5%	07-90103-00	SM/R_0603
R409	Chip Resistor	10KΩ, 1/10W, ±5%	07-90103-00	SM/R_0603
R410	Chip Resistor	10KΩ, 1/10W, ±5%	07-90103-00	SM/R_0603
R411	Chip Resistor	10KΩ, 1/10W, ±5%	07-90103-00	SM/R_0603
R412	Chip Resistor	10KΩ, 1/10W, ±5%	07-90103-00	SM/R_0603
R413	Chip Resistor	10KΩ, 1/10W, ±5%	07-90103-00	SM/R_0603
R414	Chip Resistor	10KΩ, 1/10W, ±5%	07-90103-00	SM/R_0603
R415	Chip Resistor	10KΩ, 1/10W, ±5%	07-90103-00	SM/R_0603
R416	Chip Resistor	10KΩ, 1/10W, ±5%	07-90103-00	SM/R_0603
R417	Chip Resistor	1.2KΩ, 1/10W, ±5%	07-90122-00	SM/R_0603
R418	Chip Resistor	1.2KΩ, 1/10W, ±5%	07-90122-00	SM/R_0603
R421	Chip Resistor	10Ω, 1/10W, ±5%	07-90100-00	SM/R_0603
R422	Chip Resistor	120Ω, 1/10W, ±5%	07-90121-00	SM/R_0603
R424	Chip Resistor	100Ω, 1/10W, ±5%	07-90101-00	SM/R_0603
R425	Chip Resistor	100Ω, 1/10W, ±5%	07-90101-00	SM/R_0603
R426	Chip Resistor	100Ω, 1/10W, ±5%	07-90101-00	SM/R_0603
R427	Chip Resistor	100Ω, 1/10W, ±5%	07-90101-00	SM/R_0603
R428	Chip Resistor	100Ω, 1/8W, ±5%	07-90101-01	SM/R_0805
R429	Chip Resistor	100Ω, 1/8W, ±5%	07-90101-01	SM/R_0805
<b>CAPACITOR</b>				
C400	Ceramic Capacitor SMD	100nZ, 50V, 0603, Y5V	26-10451-00	SM/C_0603
C401	Ceramic Capacitor SMD	100nZ, 50V, 0603, Y5V	26-10451-00	SM/C_0603
C402	Ceramic Capacitor SMD	100nZ, 50V, 0603, Y5V	26-10451-00	SM/C_0603
C403	Ceramic Capacitor SMD	100nZ, 50V, 0603, Y5V	26-10451-00	SM/C_0603
C404	Ceramic Capacitor SMD	100nZ, 50V, 0603, Y5V	26-10451-00	SM/C_0603
C408	Ceramic Capacitor SMD	100nZ, 50V, 0603, Y5V	26-10451-00	SM/C_0603
C409	Ceramic Capacitor SMD	100nZ, 50V, 0603, Y5V	26-10451-00	SM/C_0603
C410	Ceramic Capacitor SMD	1nK, 50V, 0603, X7R	26-10251-00	SM/C_0603
C411	Ceramic Capacitor SMD	10nK, 50V, 0603, X7R	26-10351-00	SM/C_0603
C414	Ceramic Capacitor SMD	470nK, 16V, 0603, X7R	26-47411-10	SM/C_0603
C419	Ceramic Capacitor SMD	10uFK, 10V, 0805, X5R	26-10611-11	SM/C_0805
C421	ALU Electrolytic Capacitor	330uF, 16V, ±20%, 105 °C	06-33111-06	Pitch=3.5mm,D=8mm
C422	Ceramic Capacitor SMD	100nZ, 50V, 0603, Y5V	26-10451-00	SM/C_0603
C423	Ceramic Capacitor SMD	10uFK, 10V, 0805, X5R	26-10611-11	SM/C_0805
C424	Ceramic Capacitor SMD	100nZ, 50V, 0603, Y5V	26-10451-00	SM/C_0603
C425	Ceramic Capacitor SMD	330pJ, 50V, 0603, NPO	26-33151-00	SM/C_0603
C426	Ceramic Capacitor SMD	330pJ, 50V, 0603, NPO	26-33151-00	SM/C_0603
C427	Ceramic Capacitor SMD	330pJ, 50V, 0603, NPO	26-33151-00	SM/C_0603
C428	Ceramic Capacitor SMD	330pJ, 50V, 0603, NPO	26-33151-00	SM/C_0603
C429	Ceramic Capacitor SMD	22nK, 50V, 0805, X7R	26-22351-01	SM/C_0805
C430	Ceramic Capacitor SMD	22nK, 50V, 0805, X7R	26-22351-01	SM/C_0805
C431	Ceramic Capacitor SMD	10uFK, 10V, 0805, X5R	26-10611-11	SM/C_0805
C433	ALU Electrolytic Capacitor	330uF, 16V, ±20%, 105 °C	06-33111-06	Pitch=3.5mm,D=8mm
C434	TANT Capacitor	100uF, 16V, 20%, ESR 0.7	27-10111-00	Case D
C435	TANT Capacitor	100uF, 16V, 20%, ESR 0.7	27-10111-00	Case D
<b>INDUCTOR</b>				
L401	Inductor SMD	10uH, HJ-1812-100K / P1812R-103K	08-04100-07	SM/L_1812

# ELECTRICAL PARTS LIST

DESIGNATOR	DESCRIPTION	PART TYPE	PART NUMBER	FOOTPRINT
L402	Inductor SMD	10uH,HJ-1812-100K / P1812R-103K	08-04100-07	SM/L_1812
<b>CONNECTOR</b>				
J401A	Connector Socket	XHB 2 .5A-4AW	13-22504-05	
J404	FFC Socket SMD	1.0-9-20PWB	13-21020-05	SMD20*1.0mm
<b>SWITCH</b>				
K400	Tact Switch	KAN1211-1001C	11-04101-14	
K401	Tact Switch	KAN1211-1001C	11-04101-14	
K402	Tact Switch	KAN1211-1001C	11-04101-14	
K403	Tact Switch	KAN1211-1001C	11-04101-14	
K404	Tact Switch	KAN1211-1001C	11-04101-14	
K405	Tact Switch	KAN1211-1001C	11-04101-14	
K406	Tact Switch	KAN1211-1001C	11-04101-14	
K407	Tact Switch	KAN1211-1001C	11-04101-14	
K408	Tact Switch	KAN1211-1001C	11-04101-14	
K409	Tact Switch	KAN1211-1001C	11-04101-14	
<b>P/N : 01-50205-00 PCB5 BOARD (M2_POWAMP BOARD)</b>				
<b>DIODE</b>				
LED501	LED (Blue)	L-C191LBCT / BL-HB536G-TRB	33-50603-60	0603D
LED502	LED (Blue)	L-C191LBCT / BL-HB536G-TRB	33-50603-60	0603D
D501	DIODE SCHOTTKY	SR560, 5A 60V	33-20560-00	DO201
D502	DIODE SCHOTTKY	SR560, 5A 60V	33-20560-00	DO201
D503	RECTIFY DIODES	1N4007	33-24007-00	DAX1/1N-4001-4007
D505	SCHOTTKY BARRIER DIODE	RB715F	33-20715-01	SOT-323
<b>TRANSISTOR</b>				
Q501	Transistor	FZT493	J31-00493-00	SOT223T
<b>IC</b>				
IC501	OP-AMP	LT1806CS6	J03-01806-01	SOT23-6
IC502	Ragulator	LM317MKVURG3	03-00317-09	DPAKP ( TO-252 )
IC503	Ragulator	LM317MKVURG3	03-00317-09	DPAKP ( TO-252 )
IC504	Ragulator	LM317MKVURG3	03-00317-09	DPAKP ( TO-252 )
IC505	3-Terminal Regulator	LM337T	03-00337-00	TO-220
IC506	VOLT RAGULATOR	LM2576HVS-ADJ	J03-02576-01	TO 263-5
IC507	Ragulator	LM317MKVURG3	03-00317-09	DPAKP ( TO-252 )
IC508	Ragulator	LM317MKVURG3	03-00317-09	DPAKP ( TO-252 )
IC509	Ragulator	LM317MKVURG3	03-00317-09	DPAKP ( TO-252 )
IC510	VOLT RAGULATOR	LM2576HVS-ADJ	J03-02576-01	TO 263-5
IC511	IC	NC7SV86P5X	03-07865-01	SC70
IC512	IC	NC7SV86P5X	03-07865-01	SC70
IC513	IC	NC7SV86P5X	03-07865-01	SC70
IC514	IC	NC7SV86P5X	03-07865-01	SC70
IC515	IC	NC7SV86P5X	03-07865-01	SC70
IC516	IC	NC7SV86P5X	03-07865-01	SC70
IC517	IC	NC7SV86P5X	03-07865-01	SC70
IC518	IC	NC7SV86P5X	03-07865-01	SC70
IC519	IC	NC7SV86P5X	03-07865-01	SC70
IC520	IC	NC7SV86P5X	03-07865-01	SC70
IC521	Buffer	NC7NZ17K8X	03-07178-01	US8
IC522	Buffer	NC7NZ17K8X	03-07178-01	US8
IC523	Spartan-3 FPGA	XC3S400-4TQ144C	J03-04144-01	TQ144
IC524	Buffer	NC7NZ17K8X	03-07178-01	US8
IC525	Buffer	NC7NZ17K8X	03-07178-01	US8
IC526	eX FPGA	EX64 TQFP64	J03-00064-04	TQFP64
IC527	EPROM	M27C801-100B1	J03-27801-11	PDIP32
IC528	OP-AMP	LT1806CS6	J03-01806-01	SOT23-6
IC529	Buffer	NC7NZU04K8X	J03-07048-01	US8
IC530	OP-AMP	KM4110IT5	J03-04110-01	SOT23-5
IC531	Buffer	NC7NZU04K8X	J03-07048-01	US8
IC532	IC	NC7SZ374P6X	03-03746-01	SC70_6
IC533	IC	NC7SZ374P6X	03-03746-01	SC70_6
IC534	IC	NC7SZ374P6X	03-03746-01	SC70_6
IC535	IC	NC7SZ374P6X	03-03746-01	SC70_6
IC536	OP-AMP	LT1806CS6	J03-01806-01	SOT23-6
IC537	Buffer	NC7NZU04K8X	J03-07048-01	US8
IC538	OP-AMP	KM4110IT5	J03-04110-01	SOT23-5

# ELECTRICAL PARTS LIST

DESIGNATOR	DESCRIPTION	PART TYPE	PART NUMBER	FOOTPRINT
IC539	Buffer	NC7NZU04K8X	J03-07048-01	US8
IC540	IC	NC7SZ374P6X	03-03746-01	SC70_6
IC541	IC	NC7SZ374P6X	03-03746-01	SC70_6
IC542	IC	NC7SZ374P6X	03-03746-01	SC70_6
IC543	IC	NC7SZ374P6X	03-03746-01	SC70_6
IC544	OP-AMP	LT1806CS6	J03-01806-01	SOT23-6
IC545	Buffer	NC7NZU04K8X	J03-07048-01	US8
IC546	OP-AMP	KM4110IT5	J03-04110-01	SOT23-5
IC547	Buffer	NC7NZU04K8X	J03-07048-01	US8
IC548	IC	NC7SZ374P6X	03-03746-01	SC70_6
IC549	IC	NC7SZ374P6X	03-03746-01	SC70_6
IC550	IC	NC7SZ374P6X	03-03746-01	SC70_6
IC551	IC	NC7SZ374P6X	03-03746-01	SC70_6
IC552	OP-AMP	LT1806CS6	J03-01806-01	SOT23-6
IC553	Buffer	NC7NZU04K8X	J03-07048-01	US8
IC554	OP-AMP	KM4110IT5	J03-04110-01	SOT23-5
IC555	Buffer	NC7NZU04K8X	J03-07048-01	US8
IC556	IC	NC7SZ374P6X	03-03746-01	SC70_6
IC557	IC	NC7SZ374P6X	03-03746-01	SC70_6
IC558	IC	NC7SZ374P6X	03-03746-01	SC70_6
IC559	IC	NC7SZ374P6X	03-03746-01	SC70_6
IC560	Buffer	NC7SZ125M5X	03-07125-00	SM/SOT23_123
IC561	Octal Buffer	SN74LVC244ADW	03-00244-01	SOIC20
X501	Oscillator SMD	108MHZ CL=15pF	04-11083-00	
<b>RESISTOR</b>				
R501	Chip Resistor	150Ω, 1/8W, ±1%	07-91500-01	SM/R_0805
R502	Chip Resistor	150Ω, 1/8W, ±1%	07-91500-01	SM/R_0805
R503	Chip Resistor	150Ω, 1/8W, ±1%	07-91500-01	SM/R_0805
R505	Chip Resistor	150Ω, 1/8W, ±1%	07-91500-01	SM/R_0805
R506	Chip Resistor	150Ω, 1/8W, ±1%	07-91500-01	SM/R_0805
R507	Chip Resistor	3K3Ω, 1/8W, ±1%	07-93301-01	SM/R_0805
R508	Chip Resistor	150Ω, 1/8W, ±1%	07-91500-01	SM/R_0805
R509	Chip Resistor	150Ω, 1/8W, ±1%	07-91500-01	SM/R_0805
R510	Chip Resistor	150Ω, 1/8W, ±1%	07-91500-01	SM/R_0805
R511	Chip Resistor	240Ω, 1/8W, ±1%	07-92400-01	SM/R_0805
R512	Chip Resistor	150Ω, 1/8W, ±1%	07-91500-01	SM/R_0805
R513	Chip Resistor	150Ω, 1/8W, ±1%	07-91500-01	SM/R_0805
R514	Chip Resistor	240Ω, 1/8W, ±1%	07-92400-01	SM/R_0805
R515	Chip Resistor	240Ω, 1/8W, ±1%	07-92400-01	SM/R_0805
R516	Chip Resistor	750Ω, 1/8W, ±1%	07-97500-01	SM/R_0805
R517	Chip Resistor	150Ω, 1/8W, ±1%	07-91500-01	SM/R_0805
R518	Chip Resistor	240Ω, 1/8W, ±1%	07-92400-01	SM/R_0805
R520	Chip Resistor	1KΩ, 1/8W, ±1%	07-91001-01	SM/R_0805
R521	Chip Resistor	7K5Ω, 1/8W, ±1%	07-97501-01	SM/R_0805
R522	Chip Resistor	75Ω, 1/10W, ±1%	07-97509-00	SM/R_0603
R523	Chip Resistor	75Ω, 1/10W, ±1%	07-97509-00	SM/R_0603
R524	Chip Resistor	75Ω, 1/10W, ±1%	07-97509-00	SM/R_0603
R525	Chip Resistor	75Ω, 1/10W, ±1%	07-97509-00	SM/R_0603
R526	Chip Resistor	240Ω, 1/10W, ±1%	07-92400-00	SM/R_0603
R527	Chip Resistor	240Ω, 1/10W, ±1%	07-92400-00	SM/R_0603
R528	Chip Resistor	75Ω, 1/10W, ±1%	07-97509-00	SM/R_0603
R529	Chip Resistor	3K3Ω, 1/10W, ±1%	07-93301-00	SM/R_0603
R530	Chip Resistor	75Ω, 1/10W, ±1%	07-97509-00	SM/R_0603
R531	Chip Resistor	75Ω, 1/10W, ±1%	07-97509-00	SM/R_0603
R532	Chip Resistor	75Ω, 1/10W, ±1%	07-97509-00	SM/R_0603
R533	Chip Resistor	75Ω, 1/10W, ±1%	07-97509-00	SM/R_0603
R534	Chip Resistor	75Ω, 1/10W, ±1%	07-97509-00	SM/R_0603
R535	Chip Resistor	75Ω, 1/10W, ±1%	07-97509-00	SM/R_0603
R536	Chip Resistor	240Ω, 1/10W, ±1%	07-92400-00	SM/R_0603
R537	Chip Resistor	75Ω, 1/10W, ±1%	07-97509-00	SM/R_0603
R538	Chip Resistor	75Ω, 1/10W, ±1%	07-97509-00	SM/R_0603
R540	Chip Resistor	240Ω, 1/10W, ±1%	07-92400-00	SM/R_0603
R541	Chip Resistor	75Ω, 1/10W, ±1%	07-97509-00	SM/R_0603
R542	Chip Resistor	240Ω, 1/10W, ±1%	07-92400-00	SM/R_0603

# ELECTRICAL PARTS LIST

DESIGNATOR	DESCRIPTION	PART TYPE	PART NUMBER	FOOTPRINT
R543	Chip Resistor	240Ω, 1/10W, ±1%	07-92400-00	SM/R_0603
R544	Chip Resistor	100KΩ, 1/8W, ±1%	07-91003-01	SM/R_0805
R545	Chip Resistor	47KΩ, 1/8W, ±1%	07-94702-01	SM/R_0805
R546	Chip Resistor	4K7Ω, 1/10W, ±1%	07-94701-00	SM/R_0603
R547	Chip Resistor	4K7Ω, 1/10W, ±1%	07-94701-00	SM/R_0603
R548	Chip Resistor	1KΩ, 1/8W, ±1%	07-91001-01	SM/R_0805
R549	Chip Resistor	1KΩ, 1/8W, ±1%	07-91001-01	SM/R_0805
R550	Chip Resistor	1KΩ, 1/8W, ±1%	07-91001-01	SM/R_0805
R551	Chip Resistor	1KΩ, 1/8W, ±1%	07-91001-01	SM/R_0805
R552	Chip Resistor	1KΩ, 1/8W, ±1%	07-91001-01	SM/R_0805
R553	Chip Resistor	1KΩ, 1/8W, ±1%	07-91001-01	SM/R_0805
R554	Chip Resistor	1KΩ, 1/8W, ±1%	07-91001-01	SM/R_0805
R555	Chip Resistor	1KΩ, 1/8W, ±1%	07-91001-01	SM/R_0805
R556	Metal Oxide Film Resistor	RY21, 4.7Ω, 2W, ±5%	07-30479-02	Pitch=15mm
R557	Chip Resistor	19K6Ω, 1/8W, ±1%	07-91962-01	SM/R_0805
R558	Chip Resistor	49.9KΩ, 1/8W, ±1%	07-94992-01	SM/R_0805
R559	Chip Resistor	63.4KΩ, 1/8W, ±1%	07-96342-01	SM/R_0805
R560	Chip Resistor	49.9KΩ, 1/8W, ±1%	07-94992-01	SM/R_0805
R561	Chip Resistor	240Ω, 1/8W, ±1%	07-92400-01	SM/R_0805
R562	Chip Resistor	AR0603, 4.99MΩ, 1/10W, ±1%, 50PPM	07-94994-00	SM/R_0603
R563	Chip Resistor	3K3Ω, 1/10W, ±1%	07-93301-00	SM/R_0603
R565	Chip Resistor	150Ω, 1/8W, ±1%	07-91500-01	SM/R_0805
R566	Chip Resistor	750Ω, 1/8W, ±1%	07-97500-01	SM/R_0805
R568	Chip Resistor	3K3Ω, 1/8W, ±1%	07-93301-01	SM/R_0805
R569	Chip Resistor	3K3Ω, 1/8W, ±1%	07-93301-01	SM/R_0805
R570	Chip Resistor	150Ω, 1/8W, ±1%	07-91500-01	SM/R_0805
R571	Chip Resistor	3K3Ω, 1/10W, ±1%	07-93301-00	SM/R_0603
R573	Chip Resistor	10KΩ, 1/10W, 0.1%	07-91002-11	SM/R_0805
R574	Chip Resistor	10KΩ, 1/10W, 0.1%	07-91002-11	SM/R_0805
R575	Chip Resistor	AR0805, 160KΩ, 1/8W, ±0.1%, 50PPM	07-91603-11	SM/R_0805
R576	Chip Resistor	75Ω, 1/8W, ±1%	07-97509-01	SM/R_0805
R577	Chip Resistor	0Ω, 1/10W, ±5%	07-90000-00	SM/R_0603
R578	Chip Resistor	0Ω, 1/10W, ±5%	07-90000-00	SM/R_0603
R579	Chip Resistor	0Ω, 1/8W, ±5%	07-90000-01	SM/R_0805
R580	Chip Resistor	63.4KΩ, 1/8W, ±1%	07-96342-01	SM/R_0805
R581	Chip Resistor	19K6Ω, 1/8W, ±1%	07-91962-01	SM/R_0805
R582	Chip Resistor	49.9KΩ, 1/8W, ±1%	07-94992-01	SM/R_0805
R583	Chip Resistor	49.9KΩ, 1/8W, ±1%	07-94992-01	SM/R_0805
R584	Chip Resistor	240Ω, 1/8W, ±1%	07-92400-01	SM/R_0805
R585	Chip Resistor	AR0603, 4.99MΩ, 1/10W, ±1%, 50PPM	07-94994-00	SM/R_0603
R586	Chip Resistor	3K3Ω, 1/10W, ±1%	07-93301-00	SM/R_0603
R588	Chip Resistor	150Ω, 1/8W, ±1%	07-91500-01	SM/R_0805
R589	Chip Resistor	750Ω, 1/8W, ±1%	07-97500-01	SM/R_0805
R591	Chip Resistor	3K3Ω, 1/8W, ±1%	07-93301-01	SM/R_0805
R592	Chip Resistor	3K3Ω, 1/8W, ±1%	07-93301-01	SM/R_0805
R593	Chip Resistor	150Ω, 1/8W, ±1%	07-91500-01	SM/R_0805
R594	Chip Resistor	3K3Ω, 1/10W, ±1%	07-93301-00	SM/R_0603
R596	Chip Resistor	10KΩ, 1/10W, 0.1%	07-91002-11	SM/R_0805
R597	Chip Resistor	10KΩ, 1/10W, 0.1%	07-91002-11	SM/R_0805
R598	Chip Resistor	AR0805, 160KΩ, 1/8W, ±0.1%, 50PPM	07-91603-11	SM/R_0805
R599	Chip Resistor	75Ω, 1/8W, ±1%	07-97509-01	SM/R_0805
R5A1	Chip Resistor	0Ω, 1/10W, ±5%	07-90000-00	SM/R_0603
R5A2	Chip Resistor	0Ω, 1/10W, ±5%	07-90000-00	SM/R_0603
R5A3	Chip Resistor	0Ω, 1/8W, ±5%	07-90000-01	SM/R_0805
R5A4	Chip Resistor	63.4KΩ, 1/8W, ±1%	07-96342-01	SM/R_0805
R5A5	Chip Resistor	19K6Ω, 1/8W, ±1%	07-91962-01	SM/R_0805
R5A6	Chip Resistor	49.9KΩ, 1/8W, ±1%	07-94992-01	SM/R_0805
R5A7	Chip Resistor	49.9KΩ, 1/8W, ±1%	07-94992-01	SM/R_0805
R5A8	Chip Resistor	240Ω, 1/8W, ±1%	07-92400-01	SM/R_0805
R5A9	Chip Resistor	AR0603, 4.99MΩ, 1/10W, ±1%, 50PPM	07-94994-00	SM/R_0603
R5E1	Chip Resistor	3K3Ω, 1/10W, ±1%	07-93301-00	SM/R_0603
R5E3	Chip Resistor	150Ω, 1/8W, ±1%	07-91500-01	SM/R_0805
R5E4	Chip Resistor	750Ω, 1/8W, ±1%	07-97500-01	SM/R_0805
R5E6	Chip Resistor	3K3Ω, 1/8W, ±1%	07-93301-01	SM/R_0805

# ELECTRICAL PARTS LIST

DESIGNATOR	DESCRIPTION	PART TYPE	PART NUMBER	FOOTPRINT
R5E7	Chip Resistor	3K3Ω, 1/8W, ±1%	07-93301-01	SM/R_0805
R5E8	Chip Resistor	150Ω, 1/8W, ±1%	07-91500-01	SM/R_0805
R5E9	Chip Resistor	3K3Ω, 1/10W, ±1%	07-93301-00	SM/R_0603
R5F2	Chip Resistor	10KΩ, 1/10W, 0.1%	07-91002-11	SM/R_0805
R5F3	Chip Resistor	10KΩ, 1/10W, 0.1%	07-91002-11	SM/R_0805
R5F4	Chip Resistor	AR0805, 160KΩ, 1/8W, ±0.1%, 50PPM	07-91603-11	SM/R_0805
R5F5	Chip Resistor	75Ω, 1/8W, ±1%	07-97509-01	SM/R_0805
R5F6	Chip Resistor	0Ω, 1/10W, ±5%	07-90000-00	SM/R_0603
R5F7	Chip Resistor	0Ω, 1/10W, ±5%	07-90000-00	SM/R_0603
R5F8	Chip Resistor	0Ω, 1/8W, ±5%	07-90000-01	SM/R_0805
R5F9	Chip Resistor	63.4KΩ, 1/8W, ±1%	07-96342-01	SM/R_0805
R5G1	Chip Resistor	19K6Ω, 1/8W, ±1%	07-91962-01	SM/R_0805
R5G2	Chip Resistor	49.9KΩ, 1/8W, ±1%	07-94992-01	SM/R_0805
R5G3	Chip Resistor	49.9KΩ, 1/8W, ±1%	07-94992-01	SM/R_0805
R5G4	Chip Resistor	240Ω, 1/8W, ±1%	07-92400-01	SM/R_0805
R5G5	Chip Resistor	AR0603, 4.99MΩ, 1/10W, ±1%, 50PPM	07-94994-00	SM/R_0603
R5G6	Chip Resistor	3K3Ω, 1/10W, ±1%	07-93301-00	SM/R_0603
R5G8	Chip Resistor	150Ω, 1/8W, ±1%	07-91500-01	SM/R_0805
R5G9	Chip Resistor	750Ω, 1/8W, ±1%	07-97500-01	SM/R_0805
R5H2	Chip Resistor	3K3Ω, 1/8W, ±1%	07-93301-01	SM/R_0805
R5H3	Chip Resistor	3K3Ω, 1/8W, ±1%	07-93301-01	SM/R_0805
R5H4	Chip Resistor	150Ω, 1/8W, ±1%	07-91500-01	SM/R_0805
R5H6	Chip Resistor	3K3Ω, 1/10W, ±1%	07-93301-00	SM/R_0603
R5H7	Chip Resistor	10KΩ, 1/10W, 0.1%	07-91002-11	SM/R_0805
R5H8	Chip Resistor	10KΩ, 1/10W, 0.1%	07-91002-11	SM/R_0805
R5H9	Chip Resistor	AR0805, 160KΩ, 1/8W, ±0.1%, 50PPM	07-91603-11	SM/R_0805
R5J1	Chip Resistor	75Ω, 1/8W, ±1%	07-97509-01	SM/R_0805
R5J2	Chip Resistor	0Ω, 1/10W, ±5%	07-90000-00	SM/R_0603
R5J3	Chip Resistor	0Ω, 1/10W, ±5%	07-90000-00	SM/R_0603
R5J4	Chip Resistor	0Ω, 1/8W, ±5%	07-90000-01	SM/R_0805
R5J5	Chip Resistor	33Ω, 1/10W, ±1%	07-93309-00	SM/R_0603
R5J6	Chip Resistor	33Ω, 1/10W, ±1%	07-93309-00	SM/R_0603
R5J7	Chip Resistor	7K5Ω, 1/8W, ±1%	07-97501-01	SM/R_0805
R5J8	Chip Resistor	1KΩ, 1/8W, ±1%	07-91001-01	SM/R_0805
R5J9	Chip Resistor	33Ω, 1/10W, ±1%	07-93309-00	SM/R_0603
R5K2	Chip Resistor	20Ω, 1/4W, ±5%	07-90200-02	SM/R_1206
R5K3	Chip Resistor	20Ω, 1/4W, ±5%	07-90200-02	SM/R_1206
R5K4	Chip Resistor	20Ω, 1/4W, ±5%	07-90200-02	SM/R_1206
R5K5	Chip Resistor	20Ω, 1/4W, ±5%	07-90200-02	SM/R_1206
R5K6	Chip Resistor	20Ω, 1/4W, ±5%	07-90200-02	SM/R_1206
R5K7	Chip Resistor	20Ω, 1/4W, ±5%	07-90200-02	SM/R_1206
R5K8	Chip Resistor	20Ω, 1/4W, ±5%	07-90200-02	SM/R_1206
R5K9	Chip Resistor	20Ω, 1/4W, ±5%	07-90200-02	SM/R_1206
R5M1	Chip Resistor	100Ω, 1/10W, ±1%	07-91000-00	SM/R_0603
R5M2	Chip Resistor	100Ω, 1/10W, ±1%	07-91000-00	SM/R_0603
R5M3	Chip Resistor	100Ω, 1/10W, ±1%	07-91000-00	SM/R_0603
R5M4	Chip Resistor	100Ω, 1/10W, ±1%	07-91000-00	SM/R_0603
R5M5	Chip Resistor	100Ω, 1/10W, ±1%	07-91000-00	SM/R_0603
R5M6	Chip Resistor	100Ω, 1/10W, ±1%	07-91000-00	SM/R_0603
R5M7	Chip Resistor	4K7Ω, 1/10W, ±1%	07-94701-00	SM/R_0603
R5M8	Chip Resistor	4K7Ω, 1/10W, ±1%	07-94701-00	SM/R_0603
R5M9	Chip Resistor	4K7Ω, 1/10W, ±1%	07-94701-00	SM/R_0603
R5N1	Chip Resistor	4K7Ω, 1/10W, ±1%	07-94701-00	SM/R_0603
R5N2	Chip Resistor	20Ω, 1/4W, ±5%	07-90200-02	SM/R_1206
R5N3	Chip Resistor	20Ω, 1/4W, ±5%	07-90200-02	SM/R_1206
R5N4	Chip Resistor	20Ω, 1/4W, ±5%	07-90200-02	SM/R_1206
R5N5	Chip Resistor	20Ω, 1/4W, ±5%	07-90200-02	SM/R_1206
R5N6	Chip Resistor	20Ω, 1/4W, ±5%	07-90200-02	SM/R_1206
R5N7	Chip Resistor	20Ω, 1/4W, ±5%	07-90200-02	SM/R_1206
R5N8	Chip Resistor	20Ω, 1/4W, ±5%	07-90200-02	SM/R_1206
R5N9	Chip Resistor	20Ω, 1/4W, ±5%	07-90200-02	SM/R_1206
R5T1	Chip Resistor	33Ω, 1/10W, ±1%	07-93309-00	SM/R_0603
R5T2	Chip Resistor	33Ω, 1/10W, ±1%	07-93309-00	SM/R_0603
R5T3	Chip Resistor	33Ω, 1/10W, ±1%	07-93309-00	SM/R_0603

# ELECTRICAL PARTS LIST

DESIGNATOR	DESCRIPTION	PART TYPE	PART NUMBER	FOOTPRINT
R5T4	Chip Resistor	33Ω, 1/10W, ±1%	07-93309-00	SM/R_0603
R5T5	Chip Resistor	33Ω, 1/10W, ±1%	07-93309-00	SM/R_0603
R5T6	Chip Resistor	33Ω, 1/10W, ±1%	07-93309-00	SM/R_0603
R5T7	Chip Resistor	33Ω, 1/10W, ±1%	07-93309-00	SM/R_0603
R5T8	Chip Resistor	33Ω, 1/10W, ±1%	07-93309-00	SM/R_0603
R5T9	Chip Resistor	33Ω, 1/10W, ±1%	07-93309-00	SM/R_0603
R5W1	Chip Resistor	1Ω, 1/4W, ±1%	07-91008-02	SM/R_1206
R5W2	Chip Resistor	1Ω, 1/4W, ±1%	07-91008-02	SM/R_1206
R5W3	Chip Resistor	1Ω, 1/4W, ±1%	07-91008-02	SM/R_1206
R5W4	Chip Resistor	1Ω, 1/4W, ±1%	07-91008-02	SM/R_1206
R5W5	Chip Resistor	1Ω, 1/4W, ±1%	07-91008-02	SM/R_1206
R5W6	Chip Resistor	1Ω, 1/4W, ±1%	07-91008-02	SM/R_1206
R5X1	Chip Resistor	0Ω, 1/10W, ±5%	07-90000-00	SM/R_0603
R5X2	Chip Resistor	0Ω, 1/10W, ±5%	07-90000-00	SM/R_0603
R5X3	Chip Resistor	1KΩ, 1/10W, ±1%	07-91001-00	SM/R_0603
R5X4	Chip Resistor	100Ω, 1/10W, ±1%	07-91000-00	SM/R_0603
R5X5	Chip Resistor	100Ω, 1/10W, ±1%	07-91000-00	SM/R_0603
R5X6	Chip Resistor	100Ω, 1/10W, ±1%	07-91000-00	SM/R_0603
R5X7	Chip Resistor	100Ω, 1/10W, ±1%	07-91000-00	SM/R_0603
R5X8	Chip Resistor	100Ω, 1/10W, ±1%	07-91000-00	SM/R_0603
R5X9	Chip Resistor	100Ω, 1/10W, ±1%	07-91000-00	SM/R_0603
R5Y1	Chip Resistor	33Ω, 1/10W, ±1%	07-93309-00	SM/R_0603
R5Y2	Chip Resistor	33Ω, 1/10W, ±1%	07-93309-00	SM/R_0603
R5Y3	Chip Resistor	33Ω, 1/10W, ±1%	07-93309-00	SM/R_0603
R5Y4	Chip Resistor	33Ω, 1/10W, ±1%	07-93309-00	SM/R_0603
R5Y5	Chip Resistor	0Ω, 1/10W, ±5%	07-90000-00	SM/R_0603
R5Y6	Chip Resistor	33Ω, 1/10W, ±1%	07-93309-00	SM/R_0603
R5Y7	Chip Resistor	3K3Ω, 1/10W, ±1%	07-93301-00	SM/R_0603
R5Y8	Chip Resistor	100KΩ, 1/10W, ±1%	07-91003-00	SM/R_0603
R5Y9	Chip Resistor	3K3Ω, 1/10W, ±1%	07-93301-00	SM/R_0603
<b>CAPACITOR</b>				
C501	Ceramic Capacitor SMD	10nK, 50V, 0805, X7R	26-10351-01	SM/C_0805
C502	Ceramic Capacitor SMD	1uF, 25V, ±10%, 0603, X5R	26-10521-10	SM/C_0603
C503	Tan Capacitor	47uF, ±20%, 25V	27-47021-02	CASE-D
C504	Ceramic Capacitor SMD	100nK, 50V, 0805, X7R	26-10451-11	SM/C_0805
C505	Ceramic Capacitor SMD	4.7uF, 25V, 0805, Y5V	26-47521-01	SM/C_0805
C506	Ceramic Capacitor SMD	100nK, 50V, 0805, X7R	26-10451-11	SM/C_0805
C507	Ceramic Capacitor SMD	4.7uF, 25V, 0805, Y5V	26-47521-01	SM/C_0805
C508	Ceramic Capacitor SMD	100nK, 50V, 0805, X7R	26-10451-11	SM/C_0805
C509	Ceramic Capacitor SMD	4.7uF, 25V, 0805, Y5V	26-47521-01	SM/C_0805
C510	Ceramic Capacitor SMD	100nK, 50V, 0805, X7R	26-10451-11	SM/C_0805
C511	Ceramic Capacitor SMD	22uF, 6.3V, 0805, X5R	26-22660-11	SM/C_0805
C512	Ceramic Capacitor SMD	4.7uF, 25V, 0805, Y5V	26-47521-01	SM/C_0805
C513	Ceramic Capacitor SMD	100nK, 50V, 0805, X7R	26-10451-11	SM/C_0805
C514	Ceramic Capacitor SMD	4.7uF, 25V, 0805, Y5V	26-47521-01	SM/C_0805
C515	Ceramic Capacitor SMD	4.7uF, 25V, 0805, Y5V	26-47521-01	SM/C_0805
C516	Ceramic Capacitor SMD	100nK, 50V, 0805, X7R	26-10451-11	SM/C_0805
C517	Ceramic Capacitor SMD	4.7uF, 25V, 0805, Y5V	26-47521-01	SM/C_0805
C518	Ceramic Capacitor SMD	4.7uF, 25V, 0805, Y5V	26-47521-01	SM/C_0805
C519	ALU Electrolytic Capacitor	4700uF, 63V, ±20%, 105 °C	06-47261-00	Pitch=10mm, 25*50
C520	ALU Electrolytic Capacitor	4700uF, 63V, ±20%, 105 °C	06-47261-00	Pitch=10mm, 25*50
C521	Ceramic Capacitor SMD	100nK, 100V, 0805, X7R	26-10412-01	SM/C_0805
C522	ALU Electrolytic Capacitor	4700uF, 63V, ±20%, 105 °C	06-47261-00	Pitch=10mm, 25*50
C523	ALU Electrolytic Capacitor	4700uF, 63V, ±20%, 105 °C	06-47261-00	Pitch=10mm, 25*50
C524	Ceramic Capacitor SMD	100nK, 100V, 0805, X7R	26-10412-01	SM/C_0805
C525	ALU Electrolytic Capacitor	100uF, 50V, ±20%, 105 °C	06-10151-11	Pitch=5mm, 10*12.5
C526	ALU Electrolytic Capacitor	1500uF, 16V, ±20%, 105 °C	06-15211-01	Pitch=5mm, 12.5*20
C527	ALU Electrolytic Capacitor	100uF, 63V, ±20%, 105 °C	06-10161-03	Pitch=5mm, 12.5*20
C528	Ceramic Capacitor SMD	1uF, 100V, 1210, X5R	26-10512-03	SM/C_1210
C529	ALU Electrolytic Capacitor	1500uF, 25V, ±20%, 105 °C	06-15221-00	Pitch=5mm, 12.5*25
C530	Ceramic Capacitor SMD	1uF, 25V, ±10%, 0603, X5R	26-10521-10	SM/C_0603
C531	Ceramic Capacitor SMD	1uF, 25V, ±10%, 0603, X5R	26-10521-10	SM/C_0603
C532	Ceramic Capacitor SMD	1uF, 25V, ±10%, 0603, X5R	26-10521-10	SM/C_0603
C533	Ceramic Capacitor SMD	1uF, 25V, ±10%, 0603, X5R	26-10521-10	SM/C_0603

# ELECTRICAL PARTS LIST

DESIGNATOR	DESCRIPTION	PART TYPE	PART NUMBER	FOOTPRINT
C534	Ceramic Capacitor SMD	1uF, 25V, ±10%, 0603, X5R	26-10521-10	SM/C_0603
C535	Ceramic Capacitor SMD	4.7uF, 25V, 0805, Y5V	26-47521-01	SM/C_0805
C536	Ceramic Capacitor SMD	10pJ, 50V, 0603, NPO	26-10051-00	SM/C_0603
C537	Ceramic Capacitor SMD	1uF, 25V, ±10%, 0603, X5R	26-10521-10	SM/C_0603
C538	Ceramic Capacitor SMD	1uF, 25V, ±10%, 0603, X5R	26-10521-10	SM/C_0603
C539	Ceramic Capacitor SMD	10pJ, 50V, 0603, NPO	26-10051-00	SM/C_0603
C540	Ceramic Capacitor SMD	100pJ, 50V, 0603, NPO	26-10151-00	SM/C_0603
C541	Ceramic Capacitor SMD	10pJ, 50V, 0603, NPO	26-10051-00	SM/C_0603
C542	Ceramic Capacitor SMD	33pJ, 50V, 0603, NPO	26-33051-00	SM/C_0603
C543	Ceramic Capacitor SMD	33pJ, 50V, 0603, NPO	26-33051-00	SM/C_0603
C545	Ceramic Capacitor SMD	1uF, 25V, ±10%, 0603, X5R	26-10521-10	SM/C_0603
C546	Ceramic Capacitor SMD	10pJ, 50V, 0603, NPO	26-10051-00	SM/C_0603
C547	Ceramic Capacitor SMD	4.7uF, 25V, 0805, Y5V	26-47521-01	SM/C_0805
C548	Ceramic Capacitor SMD	1uF, 25V, ±10%, 0603, X5R	26-10521-10	SM/C_0603
C549	Ceramic Capacitor SMD	1uF, 25V, ±10%, 0603, X5R	26-10521-10	SM/C_0603
C550	Ceramic Capacitor SMD	1uF, 25V, ±10%, 0603, X5R	26-10521-10	SM/C_0603
C551	Ceramic Capacitor SMD	1uF, 25V, ±10%, 0603, X5R	26-10521-10	SM/C_0603
C552	Ceramic Capacitor SMD	1uF, 25V, ±10%, 0603, X5R	26-10521-10	SM/C_0603
C553	Ceramic Capacitor SMD	1uF, 25V, ±10%, 0603, X5R	26-10521-10	SM/C_0603
C554	Ceramic Capacitor SMD	1uF, 25V, ±10%, 0603, X5R	26-10521-10	SM/C_0603
C555	Ceramic Capacitor SMD	1uF, 25V, ±10%, 0603, X5R	26-10521-10	SM/C_0603
C556	Ceramic Capacitor SMD	1uF, 25V, ±10%, 0603, X5R	26-10521-10	SM/C_0603
C557	Ceramic Capacitor SMD	1uF, 25V, ±10%, 0603, X5R	26-10521-10	SM/C_0603
C558	Ceramic Capacitor SMD	1uF, 25V, ±10%, 0603, X5R	26-10521-10	SM/C_0603
C559	Ceramic Capacitor SMD	1uF, 25V, ±10%, 0603, X5R	26-10521-10	SM/C_0603
C560	Ceramic Capacitor SMD	4.7uF, 25V, 0805, Y5V	26-47521-01	SM/C_0805
C561	Ceramic Capacitor SMD	1uF, 25V, ±10%, 0603, X5R	26-10521-10	SM/C_0603
C562	Ceramic Capacitor SMD	1uF, 25V, ±10%, 0603, X5R	26-10521-10	SM/C_0603
C563	Ceramic Capacitor SMD	1uF, 25V, ±10%, 0603, X5R	26-10521-10	SM/C_0603
C564	Ceramic Capacitor SMD	1uF, 25V, ±10%, 0603, X5R	26-10521-10	SM/C_0603
C565	Ceramic Capacitor SMD	4.7uF, 25V, 0805, Y5V	26-47521-01	SM/C_0805
C566	Ceramic Capacitor SMD	1uF, 25V, ±10%, 0603, X5R	26-10521-10	SM/C_0603
C567	Ceramic Capacitor SMD	1uF, 25V, ±10%, 0603, X5R	26-10521-10	SM/C_0603
C568	Ceramic Capacitor SMD	1uF, 25V, ±10%, 0603, X5R	26-10521-10	SM/C_0603
C569	Ceramic Capacitor SMD	1uF, 25V, ±10%, 0603, X5R	26-10521-10	SM/C_0603
C570	Ceramic Capacitor SMD	1uF, 25V, ±10%, 0603, X5R	26-10521-10	SM/C_0603
C571	Ceramic Capacitor SMD	1uF, 25V, ±10%, 0603, X5R	26-10521-10	SM/C_0603
C572	Ceramic Capacitor SMD	1uF, 25V, ±10%, 0603, X5R	26-10521-10	SM/C_0603
C573	Ceramic Capacitor SMD	1uF, 25V, ±10%, 0603, X5R	26-10521-10	SM/C_0603
C574	Ceramic Capacitor SMD	1uF, 25V, ±10%, 0603, X5R	26-10521-10	SM/C_0603
C575	Ceramic Capacitor SMD	1uF, 25V, ±10%, 0603, X5R	26-10521-10	SM/C_0603
C576	Ceramic Capacitor SMD	1uF, 25V, ±10%, 0603, X5R	26-10521-10	SM/C_0603
C577	Ceramic Capacitor SMD	4.7uF, 25V, 0805, Y5V	26-47521-01	SM/C_0805
C578	Ceramic Capacitor SMD	1uF, 25V, ±10%, 0603, X5R	26-10521-10	SM/C_0603
C579	Ceramic Capacitor SMD	1uF, 25V, ±10%, 0603, X5R	26-10521-10	SM/C_0603
C580	Ceramic Capacitor SMD	1uF, 25V, ±10%, 0603, X5R	26-10521-10	SM/C_0603
C581	Ceramic Capacitor SMD	1uF, 25V, ±10%, 0603, X5R	26-10521-10	SM/C_0603
C582	Ceramic Capacitor SMD	4.7uF, 25V, 0805, Y5V	26-47521-01	SM/C_0805
C583	Tan Capacitor	47uF, ±20%, 25V	27-47021-02	CASE-D
C584	Ceramic Capacitor SMD	100pJ, 50V, 0805, NPO	26-10151-01	SM/C_0805
C585	Ceramic Capacitor SMD	100pJ, 50V, 0805, NPO	26-10151-01	SM/C_0805
C586	Tan Capacitor	47uF, ±20%, 25V	27-47021-02	CASE-D
C587	Ceramic Capacitor SMD	6.8nK, 50V, 0603, X7R	26-68251-00	SM/C_0603
C588	Ceramic Capacitor SMD	1uF, 25V, ±10%, 0603, X5R	26-10521-10	SM/C_0603
C589	Ceramic Capacitor SMD	1uF, 25V, ±10%, 0603, X5R	26-10521-10	SM/C_0603
C590	Ceramic Capacitor SMD	180pJ, 50V, 0603, NPO	26-18151-00	SM/C_0603
C591	Ceramic Capacitor SMD	1uF, 25V, ±10%, 0603, X5R	26-10521-10	SM/C_0603
C592	Ceramic Capacitor SMD	1uF, 25V, ±10%, 0603, X5R	26-10521-10	SM/C_0603
C593	Ceramic Capacitor SMD	1uF, 25V, ±10%, 0603, X5R	26-10521-10	SM/C_0603
C594	Ceramic Capacitor SMD	10pJ, 50V, 0805, NPO	26-10051-01	SM/C_0805
C595	Ceramic Capacitor SMD	180pJ, 50V, 0805, NPO	26-18151-01	SM/C_0805
C596	Ceramic Capacitor SMD	1uF, 25V, ±10%, 0603, X5R	26-10521-10	SM/C_0603
C597	Ceramic Capacitor SMD	1uF, 25V, ±10%, 0603, X5R	26-10521-10	SM/C_0603
C598	Ceramic Capacitor SMD	470pJ, 50V, 0603, NPO	26-47151-00	SM/C_0603



# ELECTRICAL PARTS LIST

DESIGNATOR	DESCRIPTION	PART TYPE	PART NUMBER	FOOTPRINT
C5L1	Ceramic Capacitor SMD	100nK, 50V, 0805, X7R	26-10451-11	SM/C_0805
C5L2	Tan Capacitor	47uF, ±20%, 25V	27-47021-02	CASE-D
C5L3	Ceramic Capacitor SMD	100pJ, 50V, 0805, NPO	26-10151-01	SM/C_0805
C5L4	Ceramic Capacitor SMD	100pJ, 50V, 0805, NPO	26-10151-01	SM/C_0805
C5L5	Tan Capacitor	47uF, ±20%, 25V	27-47021-02	CASE-D
C5L6	Ceramic Capacitor SMD	6.8nK, 50V, 0603, X7R	26-68251-00	SM/C_0603
C5L7	Ceramic Capacitor SMD	1uF, 25V, ±10%, 0603, X5R	26-10521-10	SM/C_0603
C5L8	Ceramic Capacitor SMD	1uF, 25V, ±10%, 0603, X5R	26-10521-10	SM/C_0603
C5L9	Ceramic Capacitor SMD	180pJ, 50V, 0603, NPO	26-18151-00	SM/C_0603
C5M1	Ceramic Capacitor SMD	1uF, 25V, ±10%, 0603, X5R	26-10521-10	SM/C_0603
C5M2	Ceramic Capacitor SMD	1uF, 25V, ±10%, 0603, X5R	26-10521-10	SM/C_0603
C5M3	Ceramic Capacitor SMD	1uF, 25V, ±10%, 0603, X5R	26-10521-10	SM/C_0603
C5M4	Ceramic Capacitor SMD	10pJ, 50V, 0805, NPO	26-10051-01	SM/C_0805
C5M5	Ceramic Capacitor SMD	180pJ, 50V, 0805, NPO	26-18151-01	SM/C_0805
C5M6	Ceramic Capacitor SMD	1uF, 25V, ±10%, 0603, X5R	26-10521-10	SM/C_0603
C5M7	Ceramic Capacitor SMD	1uF, 25V, ±10%, 0603, X5R	26-10521-10	SM/C_0603
C5M8	Ceramic Capacitor SMD	470pJ, 50V, 0603, NPO	26-47151-00	SM/C_0603
C5M9	Ceramic Capacitor SMD	10pJ, 50V, 0805, NPO	26-10051-01	SM/C_0805
C5N1	Ceramic Capacitor SMD	100pJ, 50V, 0805, NPO	26-10151-01	SM/C_0805
C5N2	Ceramic Capacitor SMD	1uF, 25V, ±10%, 0603, X5R	26-10521-10	SM/C_0603
C5N3	Ceramic Capacitor SMD	1uF, 25V, ±10%, 0603, X5R	26-10521-10	SM/C_0603
C5N4	Ceramic Capacitor SMD	1uF, 25V, ±10%, 0603, X5R	26-10521-10	SM/C_0603
C5N5	Ceramic Capacitor SMD	10pJ, 50V, 0603, NPO	26-10051-00	SM/C_0603
C5N6	Ceramic Capacitor SMD	1uF, 25V, ±10%, 0603, X5R	26-10521-10	SM/C_0603
C5N7	Ceramic Capacitor SMD	1uF, 25V, ±10%, 0603, X5R	26-10521-10	SM/C_0603
C5N8	Ceramic Capacitor SMD	1uF, 25V, ±10%, 0603, X5R	26-10521-10	SM/C_0603
C5N9	Ceramic Capacitor SMD	1uF, 25V, ±10%, 0603, X5R	26-10521-10	SM/C_0603
C5P1	Ceramic Capacitor SMD	100nK, 50V, 0805, X7R	26-10451-11	SM/C_0805
C5P2	Ceramic Capacitor SMD	220nK, 25V, 0805, X7R	26-22421-01	SM/C_0805
C5P3	Ceramic Capacitor SMD	1.2nF, 200V, 1206, NPO	26-12222-12	SM/C_1206
C5P4	Ceramic Capacitor SMD	1.2nF, 200V, 1206, NPO	26-12222-12	SM/C_1206
C5P5	ALU Electrolytic Capacitor	100uF, 63V, ±20%, 105 °C	06-10161-03	Pitch=5mm, 12.5*20
C5P6	Ceramic Capacitor SMD	1uF, 100V, 1210, X5R	26-10512-03	SM/C_1210
C5P7	ALU Electrolytic Capacitor	1500uF, 25V, ±20%, 105 °C	06-15221-00	Pitch=5mm, 12.5*25
C5P8	Ceramic Capacitor SMD	100nK, 100V, 0805, X7R	26-10412-01	SM/C_0805
C5P9	Ceramic Capacitor SMD	100nK, 100V, 0805, X7R	26-10412-01	SM/C_0805
C5T1	Ceramic Capacitor SMD	1uF, 25V, ±10%, 0603, X5R	26-10521-10	SM/C_0603
C5T2	Ceramic Capacitor SMD	1uF, 25V, ±10%, 0603, X5R	26-10521-10	SM/C_0603
C5T3	Ceramic Capacitor SMD	68pJ, 50V, 0603, NPO	26-68051-00	SM/C_0603
C5T4	Ceramic Capacitor SMD	33pJ, 50V, 0603, NPO	26-33051-00	SM/C_0603
C5T5	Ceramic Capacitor SMD	68pJ, 50V, 0603, NPO	26-68051-00	SM/C_0603
C5T6	Ceramic Capacitor SMD	68pJ, 50V, 0603, NPO	26-68051-00	SM/C_0603
C5T7	Polypropylene Capacitors	MKP10, 10nF, 100V, ±5%	J25-10312-03	Pitch=7.5mm,9*10*4
C5T8	Ceramic Capacitor SMD	1.2nF, 200V, 1206, NPO	26-12222-12	SM/C_1206
C5T9	Ceramic Capacitor SMD	1.2nF, 200V, 1206, NPO	26-12222-12	SM/C_1206
C5W1	Polypropylene Capacitors	MKP10, 10nF, 100V, ±5%	J25-10312-03	Pitch=7.5mm,9*10*4
C5W2	ALU Electrolytic Capacitor	2200uF, 16V, ±20%, 105 °C	06-22211-07	Pitch=5mm, 12.5*30
C5W3	Ceramic Capacitor SMD	4.7uF, 25V, 0805, Y5V	26-47521-01	SM/C_0805
C5X1	Ceramic Capacitor SMD	100pJ, 50V, 0805, NPO	26-10151-01	SM/C_0805
C5X2	Ceramic Capacitor SMD	100pJ, 50V, 0805, NPO	26-10151-01	SM/C_0805
C5X3	Ceramic Capacitor SMD	100pJ, 50V, 0805, NPO	26-10151-01	SM/C_0805
C5X4	Ceramic Capacitor SMD	270pJ, 50V, 0805, NPO	26-27151-11	SM/C_0805
C5X5	Ceramic Capacitor SMD	33pJ, 50V, 0805, NPO	26-33051-01	SM/C_0805
C5X6	Ceramic Capacitor SMD	100pJ, 50V, 0805, NPO	26-10151-01	SM/C_0805
C5X7	Ceramic Capacitor SMD	1.2nF, 200V, 1206, NPO	26-12222-12	SM/C_1206
C5X8	Ceramic Capacitor SMD	1.2nF, 200V, 1206, NPO	26-12222-12	SM/C_1206
C5X9	Ceramic Capacitor SMD	1.2nF, 200V, 1206, NPO	26-12222-12	SM/C_1206
C5Y1	Ceramic Capacitor SMD	1.2nF, 200V, 1206, NPO	26-12222-12	SM/C_1206
C5Y2	Ceramic Capacitor SMD	1.2nF, 200V, 1206, NPO	26-12222-12	SM/C_1206
C5Y3	Ceramic Capacitor SMD	1.2nF, 200V, 1206, NPO	26-12222-12	SM/C_1206
C5Y4	Ceramic Capacitor SMD	1.2nF, 200V, 1206, NPO	26-12222-12	SM/C_1206
C5Y5	Ceramic Capacitor SMD	1.2nF, 200V, 1206, NPO	26-12222-12	SM/C_1206
C5Y6	Ceramic Capacitor SMD	1.2nF, 200V, 1206, NPO	26-12222-12	SM/C_1206
C5Y7	Ceramic Capacitor SMD	1.2nF, 200V, 1206, NPO	26-12222-12	SM/C_1206

# ELECTRICAL PARTS LIST

DESIGNATOR	DESCRIPTION	PART TYPE	PART NUMBER	FOOTPRINT
C5Y8	Ceramic Capacitor SMD	1.2nF, 200V, 1206, NPO	26-12222-12	SM/C_1206
C5Y9	Ceramic Capacitor SMD	1.2nF, 200V, 1206, NPO	26-12222-12	SM/C_1206
<b>INDUCTOR</b>				
FB501	Ferrite Bead SMD	BMB2A0300LN2	08-04300-01	SM/L_0805
FB502	Ferrite Bead SMD	BMB2A0300LN2	08-04300-01	SM/L_0805
L501	Power Inductor	PE-92108KNL,100uH,3A	22-92108-00	
L502	Power Inductor	PE-92108KNL,100uH,3A	22-92108-00	
L503	Transformer	LE-T16E-40uH	22-02040-00	
L504	Transformer	LE-T16E-40uH	22-02040-00	
L505	Inductor	KHS-242, 3.5uH ±10%	08-01359-00	
L506	Inductor	KHS-242, 3.5uH ±10%	08-01359-00	
<b>CONNECTOR</b>				
P503B	HOUSING	CNT-F254-2*10-GS-850-N	13-22520-10	
P504B	HOUSING	CNT-F254-2*10-GS-850-N	13-22520-10	
P505B	HOUSING	CNT-F254-2*10-GS-850-N	13-22520-10	
P506B	HOUSING	CNT-F254-2*10-GS-850-N	13-22520-10	
P507B	HOUSING	CNT-F254-2*10-GS-850-N	13-22520-10	
P508B	HOUSING	CNT-F254-2*10-GS-850-N	13-22520-10	
P509B	HOUSING	CNT-F254-2*10-GS-850-N	13-22520-10	
P510B	HOUSING	CNT-F254-2*10-GS-850-N	13-22520-10	
P511B	FPC Connector SMD	1.0-9-20PB	13-21020-01	SMD20*1.0mm
P514B	HOUSING	CNT-F254-2*10-GS-850-N	13-22520-10	
P515B	HOUSING	CNT-F254-2*10-GS-850-N	13-22520-10	
For SW501	LINK	L=7.5	21-06750-00	
<b>P/N</b>	<b>01-50206-00</b>	<b>PCB6 BOARD (M2_MODULE BOARD)</b>		
<b>DIODE</b>				
D601	Ultrafast Rectifier Diode	ES1D 484-489	33-20001-03	DO-214AA ( SMB )
D602	Zener Diode	12V,3W, SMA,BZG03C12	33-11200-14	SMA
D603	Zener Diode	12V,3W, SMA,BZG03C12	33-11200-14	SMA
D604	Zener Diode	1SMB5918BT3	33-15109-30	SOD-123
D605	Schottky Diode	BAT54S	33-40054-00	SOT-23
D606	Schottky Diode	BAT54S	33-40054-00	SOT-23
D607	Rectifier Diode	M7A, 1A 1000V	33-20007-00	A-SMA
D608	Ultrafast Rectifier Diode	ES1D 484-489	33-20001-03	DO-214AA ( SMB )
D609	Zener Diode	12V,3W, SMA,BZG03C12	33-11200-14	SMA
D610	Zener Diode	12V,3W, SMA,BZG03C12	33-11200-14	SMA
D611	Zener Diode	1SMB5918BT3	33-15109-30	SOD-123
D612	Schottky Diode	BAT54S	33-40054-00	SOT-23
D613	Schottky Diode	BAT54S	33-40054-00	SOT-23
<b>TRANSISTOR</b>				
Q601	Transistor	ZXTC2045E6	J31-02045-01	SOT23-6
Q602	Transistor	ZXTC2045E6	J31-02045-01	SOT23-6
Q603	Transistor	ZXTC2045E6	J31-02045-01	SOT23-6
Q604	Transistor	ZXTC2045E6	J31-02045-01	SOT23-6
Q605	MOSFET	FDP42AN15A0	J31-42150-00	TO220
Q606	MOSFET	FDP42AN15A0	J31-42150-00	TO220
Q607	MOSFET	FDP42AN15A0	J31-42150-00	TO220
Q608	MOSFET	FDP42AN15A0	J31-42150-00	TO220
Q609	Transistor	ZXTC2045E6	J31-02045-01	SOT23-6
Q610	Transistor	ZXTC2045E6	J31-02045-01	SOT23-6
Q611	Transistor	ZXTC2045E6	J31-02045-01	SOT23-6
Q612	Transistor	ZXTC2045E6	J31-02045-01	SOT23-6
Q613	MOSFET	FDP42AN15A0	J31-42150-00	TO220
Q614	MOSFET	FDP42AN15A0	J31-42150-00	TO220
Q615	MOSFET	FDP42AN15A0	J31-42150-00	TO220
Q616	MOSFET	FDP42AN15A0	J31-42150-00	TO220
Q617	MOSFET	ZXMN6A07F	J31-00607-01	SOT-23
Q618	Transistor	FMMT491A	J31-00491-01	SOT-23
Q619	Transistor	FMMT491A	J31-00491-01	SOT-23
<b>IC</b>				
IC601	Driver	MAX15013AASA	J03-15013-01	SO 8
IC602	Driver	MAX15013AASA	J03-15013-01	SO 8
IC603	Logic Gate	NC7SZ58P6X	03-00758-01	SC70_6
IC604	Logic Gate	NC7SZ58P6X	03-00758-01	SC70_6

# ELECTRICAL PARTS LIST

DESIGNATOR	DESCRIPTION	PART TYPE	PART NUMBER	FOOTPRINT
IC605	Logic Gate	NC7SZ58P6X	03-00758-01	SC70_6
IC606	Logic Gate	NC7SZ58P6X	03-00758-01	SC70_6
TP601	Thermal Protector	ST-22 90C L TYPE	JA07-70022-09	TO220AC
<b>RESISTOR</b>				
R601	Chip Resistor	2R2Ω, 1/4W, ±1%	07-92208-02	SM/R_1206
R602	Chip Resistor	33Ω, 1/8W, ±1%	07-93309-01	SM/R_0805
R603	Chip Resistor	33Ω, 1/8W, ±1%	07-93309-01	SM/R_0805
R604	Chip Resistor	10KΩ, 1/8W, ±1%	07-91002-01	SM/R_0805
R605	Chip Resistor	10KΩ, 1/8W, ±1%	07-91002-01	SM/R_0805
R606	Chip Resistor	1KΩ, 1/8W, ±1%	07-91001-01	SM/R_0805
R607	Chip Resistor	1KΩ, 1/8W, ±1%	07-91001-01	SM/R_0805
R608	Chip Resistor	10Ω, 1/8W, ±1%	07-91009-01	SM/R_0805
R609	Chip Resistor	1.2Ω, 1/8W, ±1%	07-91208-01	SM/R_0805
R610	Chip Resistor	10Ω, 1/8W, ±1%	07-91009-01	SM/R_0805
R611	Chip Resistor	1.2Ω, 1/8W, ±1%	07-91208-01	SM/R_0805
R612	Chip Resistor	12Ω, 1/8W, ±1%	07-91209-01	SM/R_0805
R613	Chip Resistor	1.2Ω, 1/8W, ±1%	07-91208-01	SM/R_0805
R614	Chip Resistor	12Ω, 1/8W, ±1%	07-91209-01	SM/R_0805
R615	Chip Resistor	1.2Ω, 1/8W, ±1%	07-91208-01	SM/R_0805
R616	Metal Film Resistor	4K7Ω, 1/2W, ±1%	07-24701-20	RAD/.400X.300/LS.200/.
R617	Metal Film Resistor	4K7Ω, 1/2W, ±1%	07-24701-20	RAD/.400X.300/LS.200/.
R618	Cement Resistor	10Ω, 5W, ±5%	07-40100-05	RAD/.520X.360/LS.180/.
R619	Chip Resistor	4K7Ω, 1/8W, ±1%	07-94701-01	SM/R_0805
R620	Chip Resistor	2K2Ω, 1/8W, ±1%	07-92201-01	SM/R_0805
R621	Chip Resistor	10KΩ, 1/8W, ±1%	07-91002-01	SM/R_0805
R622	Chip Resistor	2K7Ω, 1/8W, ±1%	07-92701-01	SM/R_0805
R623	Chip Resistor	2R2Ω, 1/4W, ±1%	07-92208-02	SM/R_1206
R624	Chip Resistor	33Ω, 1/8W, ±1%	07-93309-01	SM/R_0805
R625	Chip Resistor	33Ω, 1/8W, ±1%	07-93309-01	SM/R_0805
R626	Chip Resistor	10KΩ, 1/8W, ±1%	07-91002-01	SM/R_0805
R627	Chip Resistor	10KΩ, 1/8W, ±1%	07-91002-01	SM/R_0805
R628	Chip Resistor	1KΩ, 1/8W, ±1%	07-91001-01	SM/R_0805
R629	Chip Resistor	1KΩ, 1/8W, ±1%	07-91001-01	SM/R_0805
R630	Chip Resistor	10Ω, 1/8W, ±1%	07-91009-01	SM/R_0805
R631	Chip Resistor	1.2Ω, 1/8W, ±1%	07-91208-01	SM/R_0805
R632	Chip Resistor	10Ω, 1/8W, ±1%	07-91009-01	SM/R_0805
R633	Chip Resistor	1.2Ω, 1/8W, ±1%	07-91208-01	SM/R_0805
R634	Chip Resistor	12Ω, 1/8W, ±1%	07-91209-01	SM/R_0805
R635	Chip Resistor	1.2Ω, 1/8W, ±1%	07-91208-01	SM/R_0805
R636	Chip Resistor	12Ω, 1/8W, ±1%	07-91209-01	SM/R_0805
R637	Chip Resistor	1.2Ω, 1/8W, ±1%	07-91208-01	SM/R_0805
R638	Metal Film Resistor	4K7Ω, 1/2W, ±1%	07-24701-20	RAD/.400X.300/LS.200/.
R639	Metal Film Resistor	4K7Ω, 1/2W, ±1%	07-24701-20	RAD/.400X.300/LS.200/.
R640	Cement Resistor	10Ω, 5W, ±5%	07-40100-05	RAD/.520X.360/LS.180/.
R641	Chip Resistor	10KΩ, 1/8W, ±1%	07-91002-01	SM/R_0805
R642	Metal Oxide Film Resistor	RY21, 10Ω, 1W, ±5%	07-30100-09	AX.600X.160/.039
R643	Chip Resistor	220KΩ, 1/8W, ±1%	07-92203-01	SM/R_0805
R644	Chip Resistor	220KΩ, 1/8W, ±1%	07-92203-01	SM/R_0805
<b>CAPACITOR</b>				
C601	Ceramic Capacitor SMD	100nK, 100V, 0805,X7R	26-10412-01	SM/C_0805
C602	Alu Electrolytic Capacitor	100uF,16V,±20%,105 °C	06-10111-05	Pitch=2.5mm,5*11.5
C603	Ceramic Capacitor SMD	4.7uFK, 25V, 1206, X7R	26-47521-02	SM/C_1206
C604	Ceramic Capacitor SMD	100nK, 100V, 0805,X7R	26-10412-01	SM/C_0805
C605	Ceramic Capacitor SMD	4.7uFK, 25V, 1206, X7R	26-47521-02	SM/C_1206
C606	Ceramic Capacitor SMD	100nK, 100V, 0805,X7R	26-10412-01	SM/C_0805
C607	Ceramic Capacitor SMD	100nK, 100V, 0805,X7R	26-10412-01	SM/C_0805
C608	Ceramic Capacitor SMD	100nK, 100V, 0805,X7R	26-10412-01	SM/C_0805
C609	Ceramic Capacitor SMD	100nK, 100V, 0805,X7R	26-10412-01	SM/C_0805
C610	Ceramic Capacitor SMD	2200pF, 100V, 0805, NPO	26-22212-21	SM/C_0805
C611	Ceramic Capacitor SMD	2200pF, 100V, 0805, NPO	26-22212-21	SM/C_0805
C612	Ceramic Capacitor SMD	100nK, 100V, 0805,X7R	26-10412-01	SM/C_0805
C613	Ceramic Capacitor SMD	100nK, 100V, 0805,X7R	26-10412-01	SM/C_0805
C614	Ceramic Capacitor SMD	100nK, 100V, 0805,X7R	26-10412-01	SM/C_0805
C615	Ceramic Capacitor SMD	100nK, 100V, 0805,X7R	26-10412-01	SM/C_0805

# ELECTRICAL PARTS LIST

DESIGNATOR	DESCRIPTION	PART TYPE	PART NUMBER	FOOTPRINT
C616	polypropylene film Capacitor	MMKP82, 220nF, 100V, ±5%	25-22412-08	RAD/.700X.300/LS.400/.
C617	polypropylene film Capacitor	MMKP82, 220nF, 100V, ±5%	25-22412-08	RAD/.700X.300/LS.400/.
C618	Ceramic Capacitor SMD	2200pF, 100V, 0805, NPO	26-22212-21	SM/C_0805
C619	polypropylene film Capacitor	MMKP82, 470nF, 100V, ±5%	25-47412-08	RAD/.700X.400/LS.400/.
C620	Ceramic Capacitor SMD	1uF, 100V, 1210, X5R	26-10512-03	SM/C_1210
C621	Ceramic Capacitor SMD	1uF, 100V, 1210, X5R	26-10512-03	SM/C_1210
C622	Ceramic Capacitor SMD	1uF, 100V, 1210, X5R	26-10512-03	SM/C_1210
C623	Ceramic Capacitor SMD	1uF, 100V, 1210, X5R	26-10512-03	SM/C_1210
C624	Ceramic Capacitor SMD	1uF, 100V, 1210, X5R	26-10512-03	SM/C_1210
C625	Ceramic Capacitor SMD	1uF, 100V, 1210, X5R	26-10512-03	SM/C_1210
C626	Ceramic Capacitor SMD	1uF, 100V, 1210, X5R	26-10512-03	SM/C_1210
C627	Ceramic Capacitor SMD	1uF, 100V, 1210, X5R	26-10512-03	SM/C_1210
C628	Alu Electrolytic Capacitor	220uF, 63V, ±20%, 105 °C	06-22161-05	Pitch=5.0mm,10*20
C629	Ceramic Capacitor SMD	100nK, 100V, 0805,X7R	26-10412-01	SM/C_0805
C630	Alu Electrolytic Capacitor	220uF, 63V, ±20%, 105 °C	06-22161-05	Pitch=5.0mm,10*20
C631	Ceramic Capacitor SMD	100nK, 100V, 0805,X7R	26-10412-01	SM/C_0805
C632	Ceramic Capacitor SMD	100nK, 100V, 0805,X7R	26-10412-01	SM/C_0805
C633	Alu Electrolytic Capacitor	100uF,16V,±20%,105 °C	06-10111-05	Pitch=2.5mm,5*11.5
C634	Ceramic Capacitor SMD	4.7uFK, 25V, 1206, X7R	26-47521-02	SM/C_1206
C635	Ceramic Capacitor SMD	100nK, 100V, 0805,X7R	26-10412-01	SM/C_0805
C636	Ceramic Capacitor SMD	4.7uFK, 25V, 1206, X7R	26-47521-02	SM/C_1206
C637	Ceramic Capacitor SMD	100nK, 100V, 0805,X7R	26-10412-01	SM/C_0805
C638	Ceramic Capacitor SMD	100nK, 100V, 0805,X7R	26-10412-01	SM/C_0805
C639	Ceramic Capacitor SMD	100nK, 100V, 0805,X7R	26-10412-01	SM/C_0805
C640	Ceramic Capacitor SMD	100nK, 100V, 0805,X7R	26-10412-01	SM/C_0805
C641	Ceramic Capacitor SMD	2200pF, 100V, 0805, NPO	26-22212-21	SM/C_0805
C642	Ceramic Capacitor SMD	2200pF, 100V, 0805, NPO	26-22212-21	SM/C_0805
C643	Ceramic Capacitor SMD	100nK, 100V, 0805,X7R	26-10412-01	SM/C_0805
C644	Ceramic Capacitor SMD	100nK, 100V, 0805,X7R	26-10412-01	SM/C_0805
C645	Ceramic Capacitor SMD	100nK, 100V, 0805,X7R	26-10412-01	SM/C_0805
C646	Ceramic Capacitor SMD	100nK, 100V, 0805,X7R	26-10412-01	SM/C_0805
C647	polypropylene film Capacitor	MMKP82, 220nF, 100V, ±5%	25-22412-08	RAD/.700X.300/LS.400/.
C648	polypropylene film Capacitor	MMKP82, 220nF, 100V, ±5%	25-22412-08	RAD/.700X.300/LS.400/.
C649	Ceramic Capacitor SMD	2200pF, 100V, 0805, NPO	26-22212-21	SM/C_0805
C650	polypropylene film Capacitor	MMKP82, 470nF, 100V, ±5%	25-47412-08	RAD/.700X.400/LS.400/.
C651	Ceramic Capacitor SMD	1uF, 100V, 1210, X5R	26-10512-03	SM/C_1210
C652	Ceramic Capacitor SMD	1uF, 100V, 1210, X5R	26-10512-03	SM/C_1210
C653	Ceramic Capacitor SMD	1uF, 100V, 1210, X5R	26-10512-03	SM/C_1210
C654	Ceramic Capacitor SMD	1uF, 100V, 1210, X5R	26-10512-03	SM/C_1210
C655	Ceramic Capacitor SMD	1uF, 100V, 1210, X5R	26-10512-03	SM/C_1210
C656	Ceramic Capacitor SMD	1uF, 100V, 1210, X5R	26-10512-03	SM/C_1210
C657	Ceramic Capacitor SMD	1uF, 100V, 1210, X5R	26-10512-03	SM/C_1210
C658	Ceramic Capacitor SMD	1uF, 100V, 1210, X5R	26-10512-03	SM/C_1210
C659	Alu Electrolytic Capacitor	220uF, 63V, ±20%, 105 °C	06-22161-05	Pitch=5.0mm,10*20
C660	Ceramic Capacitor SMD	100nK, 100V, 0805,X7R	26-10412-01	SM/C_0805
C661	Alu Electrolytic Capacitor	220uF, 63V, ±20%, 105 °C	06-22161-05	Pitch=5.0mm,10*20
C662	Ceramic Capacitor SMD	100nK, 100V, 0805,X7R	26-10412-01	SM/C_0805
<b>INDUCTOR</b>				
L601	AIR COIL Inductor	T157-2-12uH	22-00157-00	
L602	AIR COIL Inductor	T157-2-12uH	22-00157-00	
L603	Inductor SMD	150nH 744302015	08-04158-00	SMD
L604	Inductor SMD	150nH 744302015	08-04158-00	SMD
L605	Inductor SMD	150nH 744302015	08-04158-00	SMD
L606	Inductor SMD	150nH 744302015	08-04158-00	SMD
L607	Inductor SMD	72nH 744302007	08-04727-00	SMD
L608	Inductor SMD	72nH 744302007	08-04727-00	SMD
<b>RELAY</b>				
RL601	Relay	HF115F(JQX-115F)/048-2HS4AF	12-03202-04	
RL602	Relay	HF115F(JQX-115F)/048-2HS4AF	12-03202-04	
<b>CONNECTOR</b>				
P601A	Header	CNT-M254-2*10-GS-6/3-N	13-12520-01	
P602A	Header	CNT-M254-2*10-GS-6/3-N	13-12520-01	
P603A	Header	CNT-M254-2*10-GS-6/3-N	13-12520-01	
P604A	Header	CNT-M254-2*10-GS-6/3-N	13-12520-01	

# ELECTRICAL PARTS LIST

DESIGNATOR	DESCRIPTION	PART TYPE	PART NUMBER	FOOTPRINT
P605A	Header	CNT-M254-2*10-GS-6/3-N	13-12520-01	
<b>P/N 01-50207-00 PCB BOARD (Power Supply Board Upper)</b>				
<b>DIODE</b>				
DW700	Zener Diode	12V, 1/2W	33-11200-00	DO-35
DW701	Zener Diode	30V, 1/2W	33-13000-10	LL34
DW702	Zener Diode	30V, 1/2W	33-13000-10	LL34
DW703	Zener Diode	30V, 1/2W	33-13000-10	LL34
DW704	Zener Diode	30V, 1/2W	33-13000-10	LL34
DW705	Zener Diode	7.5V, 1/2W	33-17509-10	LL34
DW706	Zener Diode	7.5V, 1/2W	33-17509-10	LL34
DW707	Zener Diode	7.5V, 1/2W	33-17509-10	LL34
DW708	Zener Diode	7.5V, 1/2W	33-17509-10	LL34
D700	Rectifier Diode	UF4006	33-24006-00	DO-41
D700	Rectifier Diode	UF4006	33-24006-02	DO-41
D701	Switch Diode	1N4148W-NR	33-44148-17	SOD123
D702	Schottky Barrier Rectifier	1N5822	33-25822-00	
D703	Rectifier Diode	M7A, 1A 1000V	33-20007-00	A-SMA
D704	Rectifier Diode	M7A, 1A 1000V	33-20007-00	A-SMA
D705	Rectifier Diode	M7A, 1A 1000V	33-20007-00	A-SMA
D706	Rectifier Diode	M7A, 1A 1000V	33-20007-00	A-SMA
D707	Rectifier Diode	M7A, 1A 1000V	33-20007-00	A-SMA
D708	Rectifier Diode	M7A, 1A 1000V	33-20007-00	A-SMA
D709	Rectifier Diode	M7A, 1A 1000V	33-20007-00	A-SMA
D710	Switch Diode	1N4148W-NR	33-44148-17	SOD123
BR700	Rectifier Bridge	KBP208G,2A/800V	33-30282-00	
BR701	Bridge Rectifier	DBS157G 1.5A, 700RMS	33-30113-00	
<b>TRANSISTOR</b>				
Q701	Transistor	2SC2878	J31-02878-00	TO92
Q702	Transistor	DTC114EKA	31-00114-05	SOT23
Q703	Transistor	DTC114EKA	31-00114-05	SOT23
Q704	Transistor	DTC114EKA	31-00114-05	SOT23
Q705	Transistor	DTC114EKA	31-00114-05	SOT23
Q706	Transistor	DTC114EKA	31-00114-05	SOT23
Q707	Transistor	DTA114EKA	31-00114-01	SOT23
Q708	Transistor	DTA114EKA	31-00114-01	SOT23
Q709	Transistor	2SC2878	J31-02878-00	TO92
Q710	Transistor	2SC2878	J31-02878-00	TO92
TSG700	THYRISTOR	2N6402	31-06402-00	TO-220
TSG701	THYRISTOR	2N5064	31-05064-00	TO92
TSG702	THYRISTOR	2N5064	31-05064-00	TO92
TSG703	THYRISTOR	2N6402	31-06402-00	TO-220
TSG704	THYRISTOR	2N5064	31-05064-00	TO92
TSG705	THYRISTOR	2N6402	31-06402-00	TO-220
TS706	THYRISTOR	2N5064	31-05064-00	TO92
TSG707	THYRISTOR	2N6402	31-06402-00	TO-220
<b>IC</b>				
IC700	Power controller IC	TNY274PN	03-00274-00	DIP8
IC701	Regulator	TL431BCDBZTG4	03-00431-11	SOT-23
OP702	Photo Transistor	SFH6156-2T	03-61562-01	SMD-4
OP703	Photo Transistor	SFH6156-2T	03-61562-01	SMD-4
OP704	Photo Transistor	SFH6156-2T	03-61562-01	SMD-4
OP705	Photo Transistor	SFH6156-2T	03-61562-01	SMD-4
OP706	Photo Transistor	SFH6156-2T	03-61562-01	SMD-4
OP707	Photo Transistor	SFH6156-2T	03-61562-01	SMD-4
OP708	Photo Transistor	SFH6156-2T	03-61562-01	SMD-4
OP709	Photo Transistor	SFH6156-2T	03-61562-01	SMD-4
OP710	Photo Transistor	SFH6156-2T	03-61562-01	SMD-4
OP711	Photo Transistor	SFH6156-2T	03-61562-01	SMD-4
OP712	Photo Transistor	SFH6156-2T	03-61562-01	SMD-4
<b>RESISTOR</b>				
R700	Metal Oxide film Resistor	RY21, 100KΩ, 2W, ±5%	07-30104-12	Pitch=12.5mm
R701	Chip Resistor	330KΩ, 1/4W, ±5%	07-90334-02	SM/R_1206
R702	Chip Resistor	330KΩ, 1/4W, ±5%	07-90334-02	SM/R_1206
R703	Chip Resistor	330KΩ, 1/4W, ±5%	07-90334-02	SM/R_1206

# ELECTRICAL PARTS LIST

DESIGNATOR	DESCRIPTION	PART TYPE	PART NUMBER	FOOTPRINT
R704	Chip Resistor	1.8megΩ, 1/4W, ±5%	07-90185-02	SM/R_1206
R705	Chip Resistor	1.8megΩ, 1/4W, ±5%	07-90185-02	SM/R_1206
R706	Metal Oxide Film Resistor	68KΩ, 1W, ±5%	07-30683-11	Pitch=5mm
R707	Chip Resistor	10Ω, 1/8W, ±5%	07-90100-01	SM/R_0805
R708	Chip Resistor	22KΩ, 1/8W, ±5%	07-90223-01	SM/R_0805
R709	Chip Resistor	100Ω, 1/8W, ±5%	07-90101-01	SM/R_0805
R710	Chip Resistor	10KΩ, 1/8W, ±5%	07-90103-01	SM/R_0805
R711	Chip Resistor	2K2Ω, 1/8W, ±1%	07-92201-01	SM/R_0805
R712	Chip Resistor	2K2Ω, 1/8W, ±1%	07-92201-01	SM/R_0805
R713	Chip Resistor	1KΩ, 1/8W, ±5%	07-90102-01	SM/R_0805
R714	Chip Resistor	330Ω, 1/8W, ±5%	07-90331-01	SM/R_0805
R715	Chip Resistor	10Ω, 1/8W, ±5%	07-90100-01	SM/R_0805
R718	Chip Resistor	10Ω, 1/8W, ±5%	07-90100-01	SM/R_0805
R719	Chip Resistor	220Ω, 1/8W, ±5%	07-90221-01	SM/R_0805
R720	Chip Resistor	220Ω, 1/8W, ±5%	07-90221-01	SM/R_0805
R721	Chip Resistor	220Ω, 1/8W, ±5%	07-90221-01	SM/R_0805
R722	Cement Resistor	3Ω, 5W, ±10%	07-50309-05	Pitch=10mm
R723	Cement Resistor	3Ω, 5W, ±10%	07-50309-05	Pitch=10mm
R724	Cement Resistor	3Ω, 5W, ±10%	07-50309-05	Pitch=10mm
R725	Cement Resistor	3Ω, 5W, ±10%	07-50309-05	Pitch=10mm
R726	Chip Resistor	10KΩ, 1/8W, ±5%	07-90103-01	SM/R_0805
R727	Chip Resistor	10KΩ, 1/8W, ±5%	07-90103-01	SM/R_0805
R728	Chip Resistor	10KΩ, 1/8W, ±5%	07-90103-01	SM/R_0805
R729	Chip Resistor	10KΩ, 1/8W, ±5%	07-90103-01	SM/R_0805
R731	Chip Resistor	2.7KΩ, 1/4W, ±5%	07-90272-02	SM/R_1206
R732	Chip Resistor	2.7KΩ, 1/4W, ±5%	07-90272-02	SM/R_1206
R733	Chip Resistor	2.7KΩ, 1/4W, ±5%	07-90272-02	SM/R_1206
R734	Chip Resistor	2.7KΩ, 1/4W, ±5%	07-90272-02	SM/R_1206
R735	Chip Resistor	51KΩ, 1/4W, ±5%	07-90513-02	SM/R_1206
R736	Metal Oxide Film Resistor	RY21, 1KΩ, 2W, ±5%	07-30102-02	Pitch=5mm
R737	Metal Oxide film Resistor	RY21, 150Ω, 2W, ±5%	07-30151-12	Pitch=5mm
R738	Chip Resistor	470Ω, 1/4W, ±5%	07-90471-02	SM/R_1206
R740	Chip Resistor	680Ω, 1/8W, ±5%	07-90681-01	SM/R_0805
R741	Chip Resistor	680Ω, 1/8W, ±5%	07-90681-01	SM/R_0805
R742	Chip Resistor	220Ω, 1/8W, ±5%	07-90221-01	SM/R_0805
R743	Chip Resistor	2KΩ, 1/8W, ±5%	07-90202-01	SM/R_0805
R744	Chip Resistor	51KΩ, 1/4W, ±5%	07-90513-02	SM/R_1206
R745	Metal Oxide Film Resistor	RY21, 1KΩ, 2W, ±5%	07-30102-02	Pitch=5mm
R746	Chip Resistor	470Ω, 1/4W, ±5%	07-90471-02	SM/R_1206
R747	Metal Oxide film Resistor	RY21, 150Ω, 2W, ±5%	07-30151-12	Pitch=5mm
R748	Chip Resistor	51KΩ, 1/4W, ±5%	07-90513-02	SM/R_1206
R749	Metal Oxide Film Resistor	RY21, 1KΩ, 2W, ±5%	07-30102-02	Pitch=5mm
R750	Cement Resistor	3Ω, 5W, ±10%	07-50309-05	Pitch=10mm
R751	Cement Resistor	3Ω, 5W, ±10%	07-50309-05	Pitch=10mm
R752	Chip Resistor	470Ω, 1/4W, ±5%	07-90471-02	SM/R_1206
R753	Metal Oxide film Resistor	RY21, 150Ω, 2W, ±5%	07-30151-12	Pitch=5mm
R754	Chip Resistor	51KΩ, 1/4W, ±5%	07-90513-02	SM/R_1206
R755	Metal Oxide Film Resistor	RY21, 1KΩ, 2W, ±5%	07-30102-02	Pitch=5mm
R756	Cement Resistor	3Ω, 5W, ±10%	07-50309-05	Pitch=10mm
R757	Cement Resistor	3Ω, 5W, ±10%	07-50309-05	Pitch=10mm
R758	Chip Resistor	470Ω, 1/4W, ±5%	07-90471-02	SM/R_1206
R759	Metal Oxide film Resistor	RY21, 150Ω, 2W, ±5%	07-30151-12	Pitch=5mm
R760	Chip Resistor	330Ω, 1/8W, ±5%	07-90331-01	SM/R_0805
R761	Chip Resistor	220Ω, 1/8W, ±5%	07-90221-01	SM/R_0805
R762	Chip Resistor	220Ω, 1/8W, ±5%	07-90221-01	SM/R_0805
ZV700	Varistor	TUR10D471	07-70471-03	Pitch=7.5mm
TH700	Posistors	5D-11	07-70050-02	Pitch=7.5mm
<b>CAPACITOR</b>				
C700	High Voltage Ceramic Disc Capacitor	4.7nF,400V(X1),250V(Y1),±20%	A05-47242-00	Pitch=10mm
C701	Alu Electrolytic Capacitor	22uF,400V,±20%,105 °C	06-22042-01	Pitch=10mm,16mm*25
C702	Ceramic Capacitor SMD	10nF, 1KV, 1206, X7R	26-10313-02	SM/C_1206
C703	Polyester Film Capacitor	10nF, 400V, ±10%	25-10342-00	Pitch=5mm
C704	Ceramic Capacitor SMD	100nK, 50V, 0805, X7R	26-10451-11	SM/C_0805
C705	Alu Electrolytic Capacitor	10uF, 50V, ±20%, 105 °C	06-10051-02	Pitch=2.5mm,

# ELECTRICAL PARTS LIST

DESIGNATOR	DESCRIPTION	PART TYPE	PART NUMBER	FOOTPRINT
C706	Ceramic Capacitor SMD	100nK, 50V, 0805, X7R	26-10451-11	SM/C_0805
C708	Alu Electrolytic Capacitor	1000uF, 16V, ±20%, 105 °C	06-10211-08	Pitch=5mm,
C709	Alu Electrolytic Capacitor	1000uF, 16V, ±20%, 105 °C	06-10211-08	Pitch=5mm,
C710	Ceramic Capacitor SMD	100nK, 50V, 0805, X7R	26-10451-11	SM/C_0805
C711	Ceramic Capacitor SMD	100nK, 50V, 0805, X7R	26-10451-11	SM/C_0805
C712	Ceramic Capacitor SMD	100nK, 50V, 0805, X7R	26-10451-11	SM/C_0805
C713	Alu Electrolytic Capacitor	4.7uF, 50V, ±20%, 105 °C	06-47951-08	Pitch=2.5mm,
C714	Ceramic Capacitor SMD	100pJ, 50V, 0805, NPO	26-10151-01	SM/C_0805
C715	Ceramic Capacitor SMD	10nK, 50V, 0805, X7R	26-10351-01	SM/C_0805
C716	Polyester Film Capacitor	1UF, 63V, ±5%	25-10561-00	Pitch=5mm
C717	Polyester Film Capacitor	1UF, 63V, ±5%	25-10561-00	Pitch=5mm
C718	Polyester Film Capacitor	1UF, 63V, ±5%	25-10561-00	Pitch=5mm
C719	Polyester Film Capacitor	1UF, 63V, ±5%	25-10561-00	Pitch=5mm
C720	High Voltage Ceramic Disc Capacitor	4.7nF,400V(X1),250V(Y1),±20%	A05-47242-00	Pitch=10mm
C721	Ceramic Capacitor SMD	100pJ, 50V, 0805, NPO	26-10151-01	SM/C_0805
C722	Ceramic Capacitor SMD	10nK, 50V, 0805, X7R	26-10351-01	SM/C_0805
C723	Ceramic Capacitor SMD	10nK, 50V, 0805, X7R	26-10351-01	SM/C_0805
C724	Ceramic Capacitor SMD	100pJ, 50V, 0805, NPO	26-10151-01	SM/C_0805
CX700	Interference Suppression Cap	MKP62,330nF,275VAC,X2, ±10%	A25-33422-00	Pitch=15mm,18mm*10
CX701	Interference Suppression Cap	MKP62,330nF,275VAC,X2, ±10%	A25-33422-00	Pitch=15mm,18mm*10
CY700	Hign Voltage Cermatic Capacitor	680pF, 400V(X1), 250V(Y1), ±10%	A05-68142-01	Pitch=10mm
CY701	Hign Voltage Cermatic Capacitor	680pF, 400V(X1), 250V(Y1), ±10%	A05-68142-01	Pitch=10mm
CY703	High Voltage Ceramic Disc Capacitor	2.2nF, 400V(X1), 250V(Y1), ±5%	A05-22242-00	Pitch=10mm
<b>INDUCTOR</b>				
L700	Common Mode Choke	10MH,HJ-uF16-013	A22-00290-00	
L702	Inductor	33uH/3A	08-02330-00	Pitch=7.5mm
L703	Common Mode Choke	T13*5*7-P.W	08-05140-01	
<b>TRANSFORMER</b>				
T700	TRANSFORMER	EEL1916 1.2mH	22-01916-06	
<b>FUSE</b>				
FUSE701	FUSE	0618001MXP, T1AL/250V	A20-12102-00	
<b>FUSE HOLDER</b>				
For FUSE701	FUSE HOLDER	HF-004	20-20000-00	
<b>RELAY</b>				
K701	Relay	DH1U5VDC TV-8 DH5D1-O	A12-02101-01	
K702	Relay	DH1U5VDC TV-8 DH5D1-O	A12-02101-01	
K703	Relay	G6S-2 DC5V	12-02202-05	
<b>CONNECTOR</b>				
J700	Connector	VH3.96A-6A	13-23906-00	
J701	Connector	VH3.96A-6A	13-23906-00	
J703	Connector	VH3.96A-6A	13-23906-00	
J704	Connector	VH3.96A-6A	13-23906-00	
J705	Connector	VH3.96A-6A	13-23906-00	
J706	Connector	VH3.96A-6A	13-23906-00	
J707	Connector	VH3.96A-2A	13-23902-00	
J708	Connector	VH3.96A-2A	13-23902-00	
J709	Connector	XHB 2.54A-2A	13-22502-00	
J710	Connector	XHB 2.5A-8A	13-22508-00	
J711	Connector	LD7.92A-2A	13-23903-01	
P701	PCB Terminal	PC250	32-26304-01	
P702	PCB Terminal	KY187	32-24804-00	
SRQ700	HEATSINK	6063-T5, HT/BLACK, H=30	70-042001-0	
SRQ701	HEATSINK	6063-T5, HT/BLACK, H=30	70-042001-0	
SRQ702	HEATSINK	6063-T5, HT/BLACK, H=30	70-042001-0	
SRQ703	HEATSINK	6063-T5, HT/BLACK, H=30	70-042001-0	
<b>P/N 01-50208-00 PCB8 BOARD (Power Supply Board Lower)</b>				
<b>DIODE</b>				
D800	Rectifier Diode	UF4006	33-24006-00	DO-41
D800	Rectifier Diode	UF4006	33-24006-02	DO-41
D801	Switch Diode	1N4148W-NR	33-44148-17	SOD123
D802	Schottky Rectifier Diode	MBRD5H100T4G	33-25100-00	DPAK
D803	Schottky Rectifier Diode	MBRS3100T3G	33-23100-00	SMC
D804	Schottky Rectifier Diode	MBRS3100T3G	33-23100-00	SMC
D805	Schottky Rectifier Diodes	SK56C	33-20056-00	DO-214AB

# ELECTRICAL PARTS LIST

DESIGNATOR	DESCRIPTION	PART TYPE	PART NUMBER	FOOTPRINT
D806	Schottky Rectifier Diodes	SK56C	33-20056-00	DO-214AB
BR800	Rectifier Bridge	KBU810,8A/1000V	33-30813-01	
TVS800	Transient Suppressor	P6KE-200A	33-26200-00	
<b>IC</b>				
IC800	Power controller IC	TOP246YN	J03-00246-00	TO220-7C
IC801	Regulator	TL431BCDBZTG4	03-00431-11	SOT-23
OP800	Photo Coupler	PC817B	A03-00817-00	DIP4
OP801	Photo Coupler	PC817B	A03-00817-00	DIP4
U800	Voltage Regulators	KA78R12	03-07812-10	TO-220-4L
U801	Voltage Regulators	KA78R08CTU	J03-07808-05	TO-220-4L
U802	Voltage Regulators	L7905CV	03-07905-02	TO220
<b>RESISTOR</b>				
R800	Chip Resistor	330K $\Omega$ , 1/4W, $\pm$ 5%	07-90334-02	SM/R_1206
R801	Chip Resistor	330K $\Omega$ , 1/4W, $\pm$ 5%	07-90334-02	SM/R_1206
R802	Chip Resistor	330K $\Omega$ , 1/4W, $\pm$ 5%	07-90334-02	SM/R_1206
R803	Metal Oxide film Resistor	RY21, 68K $\Omega$ , 2W, $\pm$ 5%	07-30683-04	Pitch=5mm
R804	Chip Resistor	680K $\Omega$ , 1/4W, $\pm$ 5%	07-90684-02	SM/R_1206
R805	Chip Resistor	680K $\Omega$ , 1/4W, $\pm$ 5%	07-90684-02	SM/R_1206
R806	Chip Resistor	680K $\Omega$ , 1/4W, $\pm$ 5%	07-90684-02	SM/R_1206
R807	Chip Resistor	7.5K $\Omega$ , 1/8W, $\pm$ 5%	07-90752-01	SM/R_0805
R808	Chip Resistor	6.8 $\Omega$ , 1/8W, $\pm$ 5%	07-90689-01	SM/R_0805
R809	Chip Resistor	10 $\Omega$ , 1/8W, $\pm$ 5%	07-90100-01	SM/R_0805
R810	Chip Resistor	1K $\Omega$ , 1/8W, $\pm$ 5%	07-90102-01	SM/R_0805
R811	Chip Resistor	220 $\Omega$ , 1/8W, $\pm$ 5%	07-90221-01	SM/R_0805
R812	Chip Resistor	10K $\Omega$ , 1/8W, $\pm$ 5%	07-90103-01	SM/R_0805
R813	Chip Resistor	20K $\Omega$ , 1/8W, $\pm$ 1%	07-92002-01	SM/R_0805
R814	Chip Resistor	4K7 $\Omega$ , 1/8W, $\pm$ 1%	07-94701-01	SM/R_0805
R815	Chip Resistor	9K1 $\Omega$ , 1/8W, $\pm$ 1%	07-99101-01	SM/R_0805
R816	Chip Resistor	10 $\Omega$ , 1/4W, $\pm$ 5%	07-90100-02	SM/R_1206
R817	Chip Resistor	10 $\Omega$ , 1/4W, $\pm$ 5%	07-90100-02	SM/R_1206
R818	Chip Resistor	10 $\Omega$ , 1/4W, $\pm$ 5%	07-90100-02	SM/R_1206
R819	Chip Resistor	10 $\Omega$ , 1/4W, $\pm$ 5%	07-90100-02	SM/R_1206
R820	Chip Resistor	10 $\Omega$ , 1/4W, $\pm$ 5%	07-90100-02	SM/R_1206
R821	Chip Resistor	100 $\Omega$ , 1/4W, $\pm$ 5%	07-90101-02	SM/R_1206
R822	Chip Resistor	10K $\Omega$ , 1/8W, $\pm$ 5%	07-90103-01	SM/R_0805
R823	Chip Resistor	10K $\Omega$ , 1/8W, $\pm$ 5%	07-90103-01	SM/R_0805
R824	Chip Resistor	100 $\Omega$ , 1/8W, $\pm$ 5%	07-90101-01	SM/R_0805
ZV800	Varistor	TUR10D471	07-70471-03	Pitch=7.5mm
TH800	Posistors	5D-11	07-70050-02	Pitch=7.5mm
<b>CAPACITOR</b>				
C800	Alu Electrolytic Capacitor	100uF,400V, $\pm$ 20%,85 $^{\circ}$ C	06-10142-00	Pitch=10mm 22*30
C801	Ceramic Capacitor SMD	10nF, 1KV, 1206, X7R	26-10313-02	SM/C_1206
C802	High Voltage Ceramic Disc Capacitor	10nF, 1KV, $\pm$ 20%	05-10313-01	Pitch=5mm
C803	Ceramic Capacitor SMD	100nK, 50V, 0805, X7R	26-10451-11	SM/C_0805
C804	Ceramic Capacitor SMD	100nK, 50V, 0805, X7R	26-10451-11	SM/C_0805
C805	Alu Electrolytic Capacitor	47uF,35V, $\pm$ 20%, 105 $^{\circ}$ C	06-47031-00	Pitch=2.5mm,
C806	Alu Electrolytic Capacitor	10uF, 50V, $\pm$ 20%, 105 $^{\circ}$ C	06-10051-02	Pitch=2.5mm,
C807	Alu Electrolytic Capacitor	2200uF,25V, $\pm$ 20%, 105 $^{\circ}$ C	06-22221-02	Pitch=5mm
C808	Alu Electrolytic Capacitor	2200uF,25V, $\pm$ 20%, 105 $^{\circ}$ C	06-22221-02	Pitch=5mm
C809	Alu Electrolytic Capacitor	470uF, 25V, $\pm$ 20%, 105 $^{\circ}$ C	06-47121-01	Pitch=5mm
C810	Alu Electrolytic Capacitor	470uF, 16V, $\pm$ 20%,105 $^{\circ}$ C	06-47111-03	Pitch=3.5mm
C811	Alu Electrolytic Capacitor	1000uF,35V, $\pm$ 20%, 105 $^{\circ}$ C	06-10231-03	Pitch=5mm
C812	Alu Electrolytic Capacitor	1000uF,35V, $\pm$ 20%, 105 $^{\circ}$ C	06-10231-03	Pitch=5mm
C814	Alu Electrolytic Capacitor	1000uF,35V, $\pm$ 20%, 105 $^{\circ}$ C	06-10231-03	Pitch=5mm
C815	Alu Electrolytic Capacitor	1000uF,35V, $\pm$ 20%, 105 $^{\circ}$ C	06-10231-03	Pitch=5mm
C818	Alu Electrolytic Capacitor	1000uF, 16V, $\pm$ 20%, 105 $^{\circ}$ C	06-10211-08	Pitch=5mm,
C819	Alu Electrolytic Capacitor	1000uF, 16V, $\pm$ 20%, 105 $^{\circ}$ C	06-10211-08	Pitch=5mm,
C820	Alu Electrolytic Capacitor	470uF, 16V, $\pm$ 20%,105 $^{\circ}$ C	06-47111-03	Pitch=3.5mm
C821	Alu Electrolytic Capacitor	1000uF, 16V, $\pm$ 20%, 105 $^{\circ}$ C	06-10211-08	Pitch=5mm,
C822	Alu Electrolytic Capacitor	1000uF, 16V, $\pm$ 20%, 105 $^{\circ}$ C	06-10211-08	Pitch=5mm,
C823	Ceramic Capacitor SMD	100nK, 50V, 1206, X7R	26-10451-02	SM/C_1206
C824	Ceramic Capacitor SMD	100nK, 50V, 1206, X7R	26-10451-02	SM/C_1206
C825	Ceramic Capacitor SMD	100nK, 50V, 1206, X7R	26-10451-02	SM/C_1206
C826	Ceramic Capacitor SMD	100nK, 50V, 1206, X7R	26-10451-02	SM/C_1206

# ELECTRICAL PARTS LIST

DESIGNATOR	DESCRIPTION	PART TYPE	PART NUMBER	FOOTPRINT
C827	Ceramic Capacitor SMD	100nK, 50V, 1206, X7R	26-10451-02	SM/C_1206
C828	Ceramic Capacitor SMD	100nK, 50V, 1206, X7R	26-10451-02	SM/C_1206
C829	Ceramic Capacitor SMD	100nK, 50V, 1206, X7R	26-10451-02	SM/C_1206
C830	Ceramic Capacitor SMD	100nK, 50V, 1206, X7R	26-10451-02	SM/C_1206
C831	Ceramic Capacitor SMD	100nK, 50V, 1206, X7R	26-10451-02	SM/C_1206
C832	Ceramic Capacitor SMD	100nK, 50V, 1206, X7R	26-10451-02	SM/C_1206
C833	Ceramic Capacitor SMD	100nK, 50V, 1206, X7R	26-10451-02	SM/C_1206
C834	Ceramic Capacitor SMD	100nK, 50V, 1206, X7R	26-10451-02	SM/C_1206
C835	Ceramic Capacitor SMD	100nK, 50V, 1206, X7R	26-10451-02	SM/C_1206
C836	Ceramic Capacitor SMD	100nK, 50V, 1206, X7R	26-10451-02	SM/C_1206
C837	Ceramic Capacitor SMD	100nK, 50V, 1206, X7R	26-10451-02	SM/C_1206
C838	Ceramic Capacitor SMD	100nK, 50V, 1206, X7R	26-10451-02	SM/C_1206
C839	Ceramic Capacitor SMD	1nF, 50V, 1206, X7R	26-10251-02	SM/C_1206
C840	Ceramic Capacitor SMD	1nF, 50V, 1206, X7R	26-10251-02	SM/C_1206
C841	Ceramic Capacitor SMD	1nF, 50V, 1206, X7R	26-10251-02	SM/C_1206
C842	Ceramic Capacitor SMD	100nK, 50V, 1206, X7R	26-10451-02	SM/C_1206
C843	Ceramic Capacitor SMD	1nF, 50V, 1206, X7R	26-10251-02	SM/C_1206
C844	Ceramic Capacitor SMD	1nF, 50V, 1206, X7R	26-10251-02	SM/C_1206
C845	Ceramic Capacitor SMD	1nF, 50V, 1206, X7R	26-10251-02	SM/C_1206
C846	Alu Electrolytic Capacitor	10uF, 50V, ±20%, 105 °C	06-10051-02	Pitch=2.5mm,
C847	Ceramic Capacitor SMD	100nK, 50V, 0805, X7R	26-10451-11	SM/C_0805
C848	Ceramic Capacitor SMD	10nK, 50V, 0805, X7R	26-10351-01	SM/C_0805
CX800	Interference Suppression Cap	MKP62,330nF,275VAC,X2, ±10%	A25-33422-00	Pitch=15mm,18mm*10
CX801	Interference Suppression Cap	MKP62,330nF,275VAC,X2, ±10%	A25-33422-00	Pitch=15mm,18mm*10
CX802	Interference Suppression Cap	MKP62,330nF,275VAC,X2, ±10%	A25-33422-00	Pitch=15mm,18mm*10
CY800	Hign Voltage Cermatic Capacitor	680pF, 400V(X1), 250V(Y1), ±10%	A05-68142-01	Pitch=10mm
CY801	Hign Voltage Cermatic Capacitor	680pF, 400V(X1), 250V(Y1), ±10%	A05-68142-01	Pitch=10mm
CY803	High Voltage Ceramic Disc Capacitor	2.2nF, 400V(X1), 250V(Y1), ±5%	A05-22242-00	Pitch=10mm
<b>INDUCTOR</b>				
L800	Common Mode Choke	10MH,HJ-uF16-013	A22-00290-00	
L801	Common Mode Choke	10MH,HJ-uF16-013	A22-00290-00	
L802	Inductor	33uH/3A	08-02330-00	Pitch=7.5mm
L803	Inductor	33uH/3A	08-02330-00	Pitch=7.5mm
L804	Inductor	33uH/3A	08-02330-00	Pitch=7.5mm
L805	Inductor	33uH/3A	08-02330-00	Pitch=7.5mm
L806	Inductor	33uH/3A	08-02330-00	Pitch=7.5mm
L807	Common Mode Choke	30uH,3A	08-05300-02	
L808	Common Mode Choke	T13×5×7-P.W	08-05140-01	
L809	Common Mode Choke	30uH,3A	08-05300-02	
L810	Common Mode Choke	30uH,3A	08-05300-02	
L811	Common Mode Choke	T13×5×7-P.W	08-05140-01	
L812	Common Mode Choke	30uH,3A	08-05300-02	
<b>TRANSFORMER</b>				
T800	TRANSFORMER	ER35 400uH	A18-50235-00	
<b>FUSE</b>				
FUSE800	FUSE	06183.15MXP, T3.15AL/250V	A20-12312-02	
<b>FUSE HOLDER</b>				
For FUSE800	FUSE HOLDER	HF-004	20-20000-00	
<b>CONNECTOR</b>				
J800	Connector	LD7.92A-2A	13-23903-01	
J801	Connector Socket	XHB 2.5A-4A	13-22504-00	
J802	Connector Socket	XHB 2.5A-6A	13-22506-00	
J803	Connector Socket	XHB 2.5A-5A	13-22505-00	
J804	Connector	XHB 2.54A-2A	13-22502-00	
SRQ800	HEATSINK	6063 T5 H=30mm BLACK	70-019005-1	
SRQ801	HEATSINK	6063 T5	70-008003-0	
<b>P/N 01-50209-00 PCB9 BOARD (ENCODER BOARD)</b>				
<b>RESISTOR</b>				
R419	Chip Resistor	10KΩ, 1/10W, ±5%	07-90103-00	SM/R_0603
R420	Chip Resistor	10KΩ, 1/10W, ±5%	07-90103-00	SM/R_0603
<b>CAPACTIOR</b>				
C412	Ceramic Capacitor SMD	100nZ, 50V, 0603, Y5V	26-10451-00	SM/C_0603
C413	Ceramic Capacitor SMD	100nZ, 50V, 0603, Y5V	26-10451-00	SM/C_0603
C432	Ceramic Capacitor SMD	10uFK, 10V, 0805, X5R	26-10611-11	SM/C_0805

# ELECTRICAL PARTS LIST

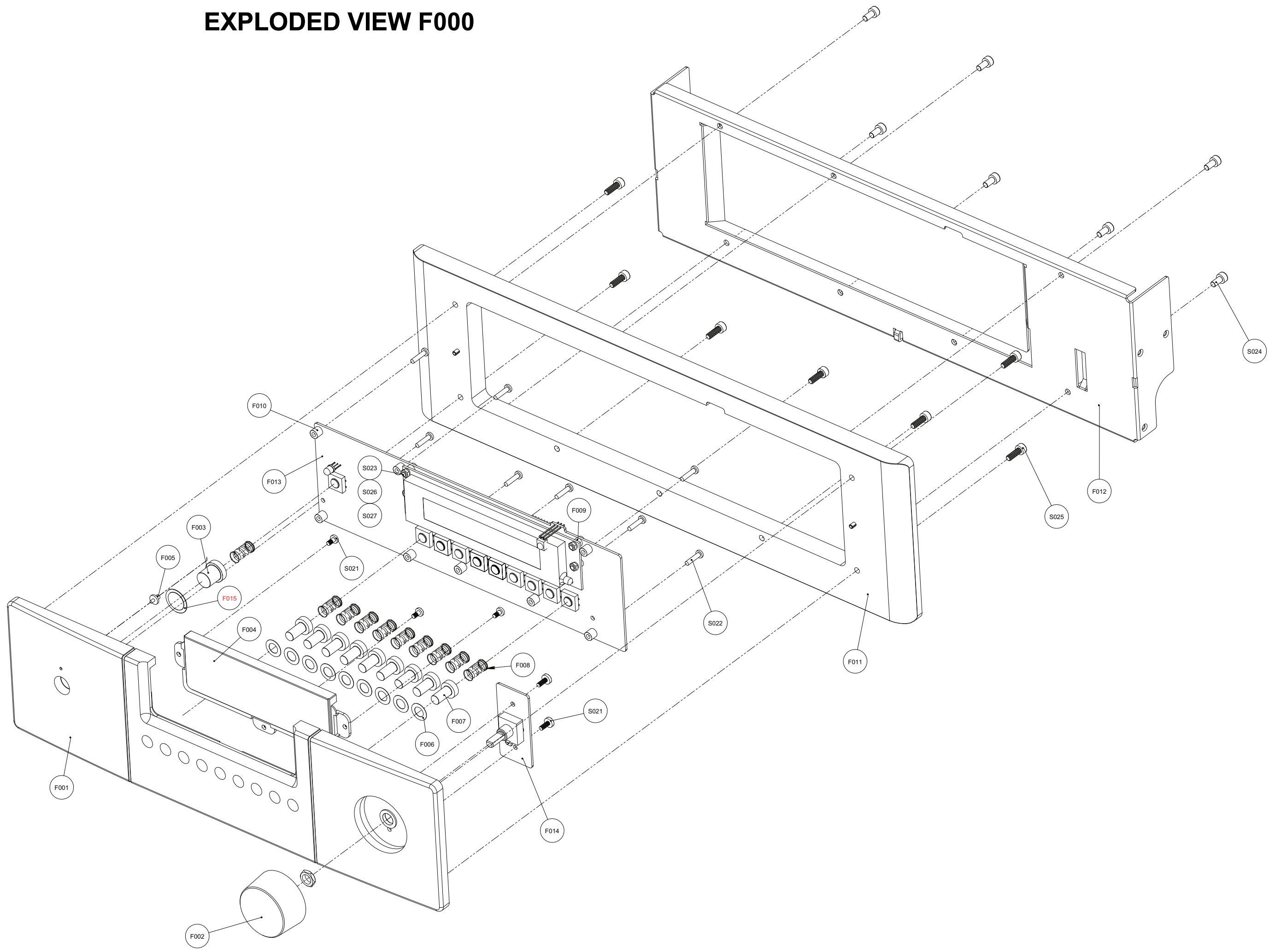
DESIGNATOR	DESCRIPTION	PART TYPE	PART NUMBER	FOOTPRINT
<b>SWITCH</b>				
S401	ENCODE	EC16B243040F	J37-16243-00	
<b>CONNECTOR</b>				
J401B	Connector Socket	XHB 2 .5A-4AW	13-22504-05	
<b>P/N 01-50210-00 PCB10 BOARD (COAX BOARD)</b>				
<b>DIODE</b>				
D103	Switch Diode	1SS352	33-40352-01	SOD-323
D104	Switch Diode	1SS352	33-40352-01	SOD-323
<b>RESISTOR</b>				
R100	Chip Resistor	75Ω, 1/10W, ±1%	07-97509-00	SM/R_0603
R101	Chip Resistor	75Ω, 1/10W, ±1%	07-97509-00	SM/R_0603
R104	Chip Resistor	205Ω, 1/10W, ±1%	07-92050-00	SM/R_0603
R105	Chip Resistor	93.1Ω, 1/10W, ±1%	07-99319-00	SM/R_0603
R107	Chip Resistor	205Ω, 1/10W, ±1%	07-92050-00	SM/R_0603
R114	Chip Resistor	100Ω, 1/8W, ±5%	07-90101-01	SM/R_0805
R181	Chip Resistor	100Ω, 1/8W, ±5%	07-90101-01	SM/R_0805
<b>CAPACITOR</b>				
C100	Ceramic Capacitor SMD	100nK, 25V, 0805, X7R	26-10421-01	SM/C_0805
C101	Ceramic Capacitor SMD	100nK, 25V, 0805, X7R	26-10421-01	SM/C_0805
C106	Ceramic Capacitor SMD	100nK, 25V, 0805, X7R	26-10421-01	SM/C_0805
C152	Ceramic Capacitor SMD	22nK, 50V, 0805, X7R	26-22351-01	SM/C_0805
C177	Ceramic Capacitor SMD	100nK, 25V, 0805, X7R	26-10421-01	SM/C_0805
C178	Ceramic Capacitor SMD	100nK, 25V, 0805, X7R	26-10421-01	SM/C_0805
C180	Ceramic Capacitor SMD	100nK, 25V, 0805, X7R	26-10421-01	SM/C_0805
C181	Ceramic Capacitor SMD	100nK, 25V, 0805, X7R	26-10421-01	SM/C_0805
C189	Ceramic Capacitor SMD	22nK, 50V, 0805, X7R	26-22351-01	SM/C_0805
C190	Ceramic Capacitor SMD	100nK, 25V, 0805, X7R	26-10421-01	SM/C_0805
C195	Ceramic Capacitor SMD	33PJ, 50V, 0805, NPO	26-33051-01	SM/C_0805
C196	Ceramic Capacitor SMD	33PJ, 50V, 0805, NPO	26-33051-01	SM/C_0805
C197	Ceramic Capacitor SMD	33PJ, 50V, 0805, NPO	26-33051-01	SM/C_0805
<b>TRANSFORMER</b>				
T100	Audio Transformer	MS8121NL	22-12204-01	
T101	Audio Transformer	MS8121NL	22-12204-01	
T103	Audio Transformer	MS8121NL	22-12204-01	
<b>CONNECTOR</b>				
J100	RCA	HANSONG RCA,WHITE	17-01001-15	
J101	RCA	HANSONG RCA,WHITE	17-01001-15	
J103	RCA	HANSONG RCA,WHITE	17-01001-15	
J111	FPC Connector SMD	1.0-9-10PWB	13-21010-01	SMD10*1.0mm
<b>P/N 01-50212-00 PCB11 BOARD (Mains Filter Board)</b>				
<b>RESISTOR</b>				
R901	Chip Resistor	330KΩ, 1/4W, ±5%	07-90334-02	SM/R_1206
R902	Chip Resistor	330KΩ, 1/4W, ±5%	07-90334-02	SM/R_1206
R903	Chip Resistor	330KΩ, 1/4W, ±5%	07-90334-02	SM/R_1206
<b>CAPACITOR</b>				
CX901	Interference Suppression Cap	MKP62,330nF,275VAC,X2, ±10%	A25-33422-00	Pitch=15mm,18mm*10
CX902	Polyester capacitor	MKP62-X2,1uF/275V,20%	A25-10522-02	Pitch=
CX903	Polyester capacitor	MKP62-X2,1uF/275V,20%	A25-10522-02	Pitch=
CX904	Polyester capacitor	MKP62-275VAC-474K	A25-47422-02	Pitch=22.5mm,26.5mm*
CY901	Hign Voltage Cermatic Capacitor	1nF, 400V(X1), 250V(Y1), ±5%	A05-10242-00	Pitch=10mm
CY902	Hign Voltage Cermatic Capacitor	1nF, 400V(X1), 250V(Y1), ±5%	A05-10242-00	Pitch=10mm
CY903	Hign Voltage Cermatic Capacitor	1nF, 400V(X1), 250V(Y1), ±5%	A05-10242-00	Pitch=10mm
CY904	Hign Voltage Cermatic Capacitor	1nF, 400V(X1), 250V(Y1), ±5%	A05-10242-00	Pitch=10mm
<b>INDUCTOR</b>				
L901	Common Mode Line Chokes	T25-2mH	22-00222-00	T25*15*10
L902	Common Mode Line Chokes	T25-2mH	22-00222-00	T25*15*10
<b>CONNECTOR</b>				
J901	Connector	LD7.92A-2A	13-23903-01	
J902	Connector	LD7.92A-2A	13-23903-01	
<b>P/N 01-50213-00 PCB12 BOARD (BINDING POST BOARD L CHANNEL)</b>				
<b>CAPACITOR</b>				
C901	Ceramic Capacitor SMD	470PJ, 200V, 1206, NPO	26-47122-02	SM/C_1206
C902	Ceramic Capacitor SMD	470PJ, 200V, 1206, NPO	26-47122-02	SM/C_1206
C903	Ceramic Capacitor SMD	470PJ, 200V, 1206, NPO	26-47122-02	SM/C_1206



# ELECTRICAL PARTS LIST

DESIGNATOR	DESCRIPTION	PART TYPE	PART NUMBER	FOOTPRINT
C932	Ceramic Capacitor SMD	470PJ, 200V, 1206, NPO	26-47122-02	SM/C_1206
<b>CONNECTOR</b>				
W901&W902	Wire	One terminal:69-119008-0, another terminal :	14-50202-05	
<b>Assembly Parts</b>				
	Power Module	ALP0400-5300	01-50211-00	
<b>FUSE</b>				
	FUSE	T10AL / 250V	A20-12103-00	
<b>AC INLET</b>				
	AC Inlets	0717-1-P-Q	JA17-07103-04	
<b>SWITCH</b>				
	ROCKER SWITCH	RF1003, TV-5 (10A 250VAC)	A11-01101-03	
<b>CONNECTOR</b>				
	Connector Ribbon	One terminal:XHB-5Y, another terminal:	14-50205-00	
	Connector Ribbon	One terminal:VH-6Y, another terminal: SDN-	14-50206-01	
	Connector Ribbon	One terminal:VH-6Y, another terminal: SDN-	14-50206-01	
	FFC	10Pin1.0mm, 60 ±2mm, 0.1X0.65	14-50210-00	
	FFC	15Pin1.0mm, 150 ±2mm, 0.1X0.65	14-50215-00	
	FFC	20Pin1.0mm, 100 ±2mm 0.1X0.65	14-50220-00	
	FFC	20Pin1.0mm, 300 ±3mm 0.1X0.65	14-50220-01	
	FFC	20Pin1.0mm, 550 ±5mm 0.1X0.65	14-50220-12	
	Wire	One terminal:RVL1-4, another terminal:	A14-50201-00	
	Wire	Two terminal:VH-3Y, wire:UL1672#18AWG,	14-50202-00	
	Wire	One terminal:TYCO 640250-2, another	14-50202-01	
	Wire	Two terminal:XHB-2Y, wire:UL1007#24AWG,	14-50202-02	
	Wire	One terminal:VH-3Y, another terminal:	A14-50202-03	
	Wire	One terminal:VH-3Y, another terminal:	14-50202-04	
	Wire	Two terminal:XHB-4Y, wire:UL1007#24AWG,	14-50204-00	
	Wire	One terminal:TYCO 640250-6, another	14-50204-01	
	Wire	Two terminal:XHB-6Y, wire:UL1569#22AWG,	14-50206-00	
	Wire	One terminal:TYCO 640250-6, another	14-50206-02	
	Wire	One terminal:XHB-12Y, another terminal:	14-50212-00	
	Wire	One terminal:187(8), another terminal:	A14-50201-01	

# EXPLODED VIEW F000



**IMPORTANT FINAL PROCEDURE:**

**DO NOT POWER ON THE M2 UNTIL IT IS HOOKED TO THE PC TO BE CALIBRATED**

**DO NOT CONNECT A SIGNAL OR CONNECT A LOAD TO THE M2 UNTIL THE UNIT HAS BEEN CALIBRATED. FAILURE TO DO SO WILL RESULT TO DAMAGE.**

## SERVICING PRECAUTIONS

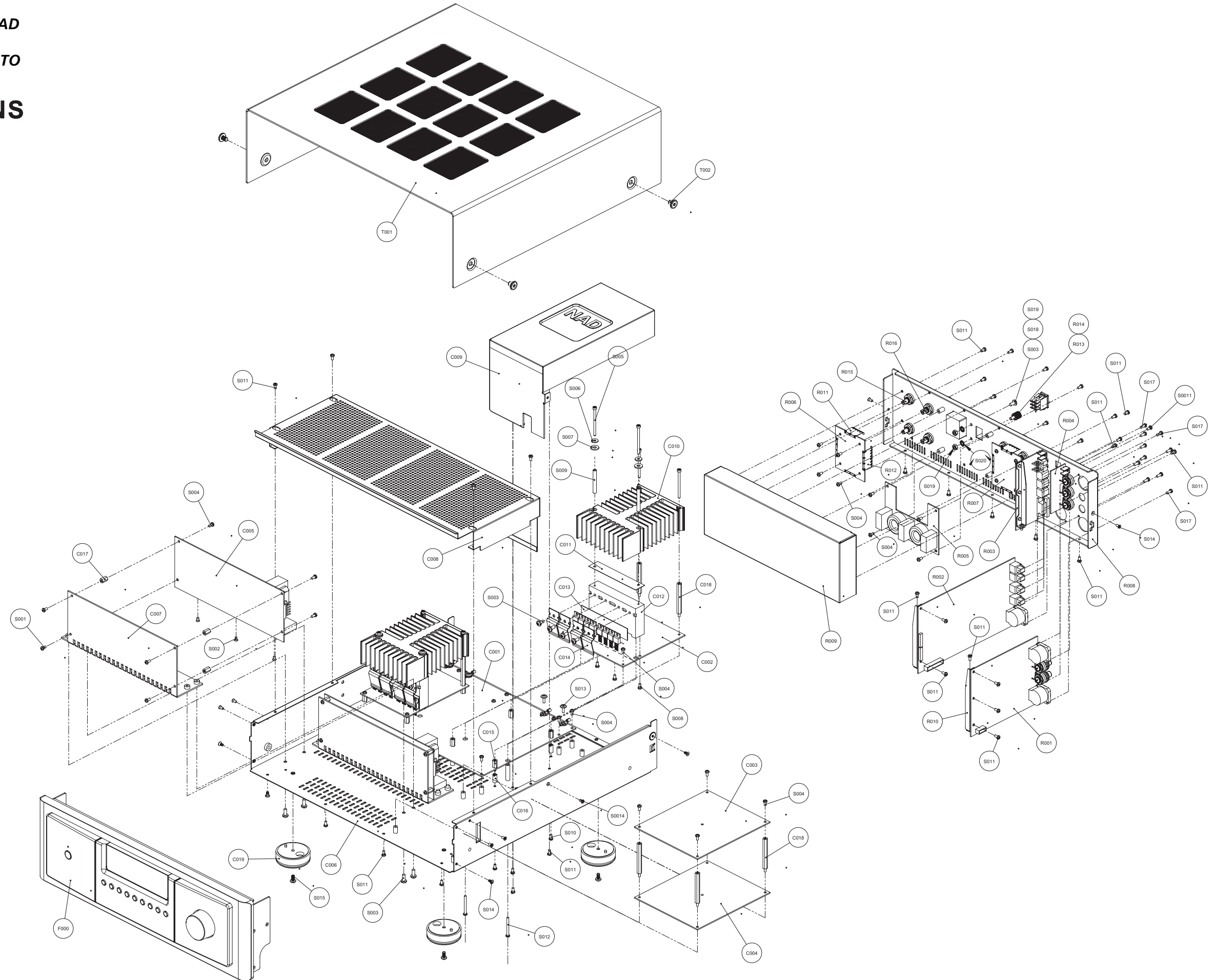
### Electrostatically Sensitive (ES) Devices

Some semiconductor (solid state) devices can be damaged easily by static electricity. Such components commonly are called Electrostatically Sensitive (ES) Devices. Examples of typical ES devices are integrated circuits and some field effect transistors and semiconductor chip components.

The following techniques should be used to help reduce the incidence of component damage caused by static electricity.

1. Immediately before handling any semiconductor component or semiconductor-equipped assembly, drain off any electrostatic charge on your body by touching a known earth ground. Alternatively, obtain and wear a commercially available discharging wrist strap device, which should be removed for potential shock reasons prior to applying power to the unit under test.
  2. After removing an electrical assembly equipped with ES devices, place the assembly on a conductive surface such as aluminum foil, to prevent electrostatic charge buildup or exposure of the assembly.
  3. Use only a grounded-tip soldering iron to solder or unsolder ES devices.
  4. Use only an anti-static solder removal device. Some solder removal devices not classified as anti-static can generate electrical charges sufficient to damage ES devices.
  5. Do not use freon-propelled chemicals. These can generate an electrical charge sufficient to damage ES devices.
  6. Do not remove a replacement ES device from its protective package until immediately before you are ready to install it. (Most replacement ES devices are packaged with leads electrically shorted together by conductive foam, aluminum foil, or comparable conductive material).
  7. Immediately before removing the protective material from the leads of a replacement ES device, touch the protective material to the chassis or circuit assembly into which the device will be installed.
- Caution: Be sure no power is applied to the chassis or circuit, and observe all other safety precautions.
8. Minimize bodily motions when handling unpackaged replacement ES devices. (Normally harmless motion such as the brushing together of your clothes fabric or the lifting of your foot from a carpeted floor can generate static electricity sufficient to damage an ES device.)

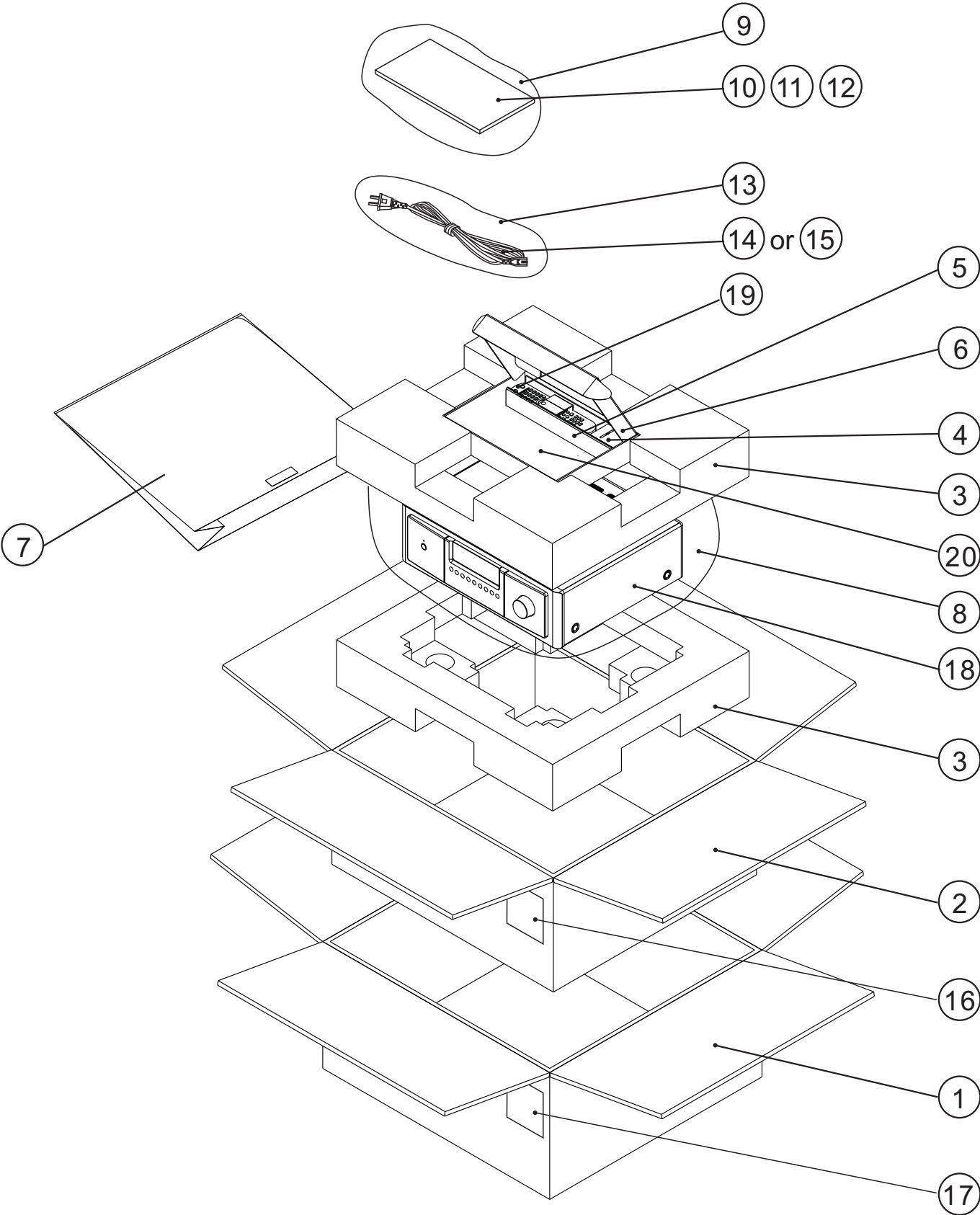
## EXPLODED VIEW



# EXPLODED VIEW PARTS LIST

REF.NO	PART NO.	DESCRIPTION	Qty.	REF.NO	PART NO.	DESCRIPTION	Qty.
C001	01-50250-00	M2_POWAMP BOARD (w/01-50206-00)	1	R006	01-50213-00	BINDING POST BOARD L	1
C002	01-50206-00	M2_MODULE BOARD	2	R007	01-50214-00	BINDING POST BOARD R	1
C003	01-50207-00	POWER SWITCH A	1	R008	67-119003-5D	Real Panel	1
C004	01-50208-00	POWER SWITCH B	1	R009	67-119009-2	Shield Sheet 3	1
C005	01-50211-00	POWER SUPPLY MODULE	2	R010	66-119001-0	Bracket	3
C006	67-119002-3	Chassis	1	R011	69-119005-0	GOLDFINGER1	4
C007	70-119005-0	POWER HEATSINK	2	R012	69-119006-0	GOLDFINGER2	4
C008	67-119006-0	Shield Sheet 2	1	R013	71-003002-0	Grd. Post Cap	1
C009	67-119005-3	Shield Sheet 1	1	R014	71-003001-1	Grd. Post Bolt	1
C010	70-119002-2	HEATSINK 2	2	R015	17-03001-13	Hs New Binding Post, Red	4
C011	78-119002-0	INSULATION	2	R016	17-03001-14	Hs New Binding Post, White	4
C012	70-119001-0	HEATSINK 1	2	S001	61-023506-0	Machine Screws	23
C013	78-119001-0	Aluminum Nitride Substrates	2	S002	61-063206-0	Self Taping Screws	6
C014	67-119008-0	CLAMPER	8	S003	61-024508-0	Machine Screws	17
C015	69-119007-0	Copper Spacer	8	S004	61-373506-0	Machine Screws	37
C016	69-119004-0	Copper Spacer	8	S005	61-223545-1	Machine Screws	8
C017	69-135001-0	Copper Spacer	8	S006	63-010304-0	Plain Washer	4
C018	69-119002-0	Copper Spacer	8	S007	86-119002-0	Pad	4
C019	J83-048010-0	Foot Assy	4	S008	61-023508-0	Machine Screws	6
F000		FASCIA Exploded View Drawing	1	S009	78-119003-0	PA TUBE	4
F001	70-119004-0B	Fascia 2	1	S010	61-023506-0	Machine Screws	8
F002	71-048010-0	Vol. Knob Assy	1	S011	61-023106-0	Self Taping Screws	40
F003	70-048013-0	Power Button	1	S012	61-023535-0	Machine Screws	4
F004	76-151001-0	Window lens	1	S013	61-083508-1	Machine Screws	4
F005	76-008001-1	LENS (smoke colour)	1	S014	61-063106-0	Self Taping Screws	9
F006	87-048002-0	Button pad	9	S015	61-024108-0	Self Taping Screws	4
F007	70-048012-1	Input Button	9	S017	61-023208-0	Self Taping Screws	10
F008	92-151001-0	Spring	10	S018	63-040405-0	Spring Washers	1
F009	75-040003-0	Spacer	4	S019	62-010402-0	M4 Nut	2
F010	70-119006-0	Alu Spacer	8	S020	63-020411-0	Spring Washers	1
F011	J70-119003-0A	M2 Fascia 1	1	S021	61-023206-0	Self Taping Screws BTB3X6	5
F012	67-119004-2	Subfascia	1	S022	61-023212-0	Self Taping Screws BTB3X12	8
F013	01-50204-00	FPP BOARD	1	S023	61-023510-0	Machine Screws	4
F014	01-50209-00	ENCODER BOARD	1	S024	61-224508-1	Hex Screws	7
R001	01-50202-00	ANALOG BOARD	1	S025	61-224512-1	Hex Screws	7
R002	01-50201-00	DSP BOARD	1	S026	63-020309-0	Spring Washers	4
R003	01-50203-00	INTERFACE BOARD	1	S027	62-010302-2	M3 Nut	4
R004	01-50210-00	COAX BOARD	1	T001	67-043001-2	Top Cover	1
R005	01-50212-00	POWER SWITCH 3	1	T002	76-046001-0	Screw Washer	4
				F015	87-048003-0	Power Button Pad	1

# PACKING DIAGRAM



# PACKING PARTS LIST

ITEM	PART NO.	DESCRIPTION	QTY
1	88-119001-0B	Shipping Box	1
2	88-119002-0B	Gift Box	1
3	89-119001-0	M2Polyfoam	2
4	89-048004-0	Little Polyfoam B	1
5	88-043004-0	M Series Box Sheet	1
6	88-043003-0	M Series Accessories Box	1
7	90-119001-0	Non-woven bag	1
8	90-119002-0	Polybag	1
9	90-001002-0	Manu Polybag	1
10	30-45020-00	Instruction Manual	1
11	30-45021-00	Instruction Manual Sheet	1
12	94-043006-0	Guarantee Card (AH version)	1
13	90-001013-0	AC Cord Polybag	1
14	A15-16251-00	PS204 & SJT 16AWG*3 L=2000 & V1625BS	1
15	A15-16250-07	3VTJ1 & H05VV-F 3×1.00mm <sup>2</sup> L=1800 BLK & 3VTJA	1
16	94-119001-0	Barcode Label gift box	2
17	94-119002-0	Barcode Label shipping box	2
18	30-05000-00	Desiccant 50g 90×110	1
19	J30-15020-00	Remote Control	1
20	30-22100-10	Batteries	1



# Technical HINT

**Product:** M2 DIRECT DIGITAL AMPLIFIER

**Hardware Bulletin #:** M2-T2010-04

**Date:** January 27, 2010

**Subject:** Power Amp Module Replacement

**Modification required for units prior to serial #s:** N/A

**Previous Hardware Bulletin's required:** NO

**DESCRIPTION:** Disassembly and reassembly procedure to replace power amplifier module.

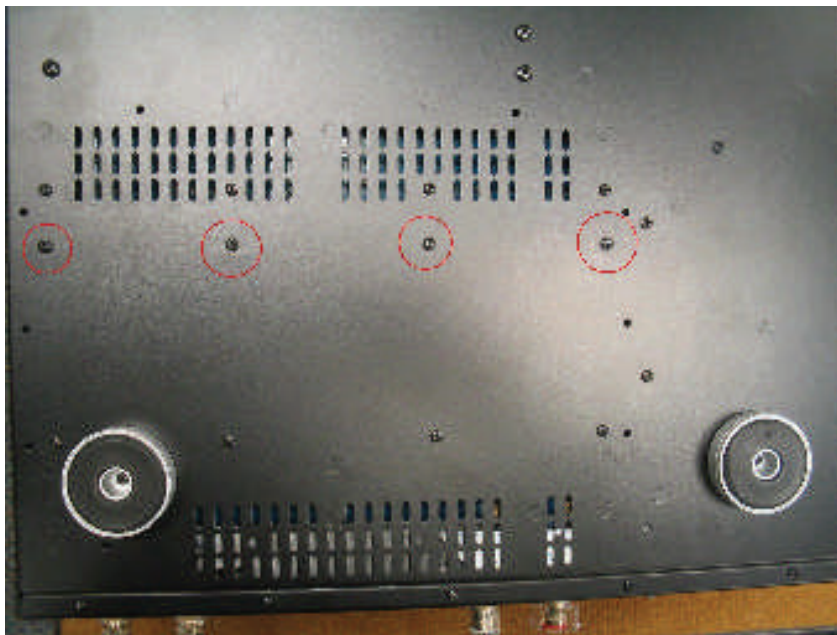
**IMPORTANT FINAL PROCEDURE:**

**DO NOT POWER ON THE M2 UNTIL IT IS HOOKED TO THE PC TO BE CALIBRATED.**

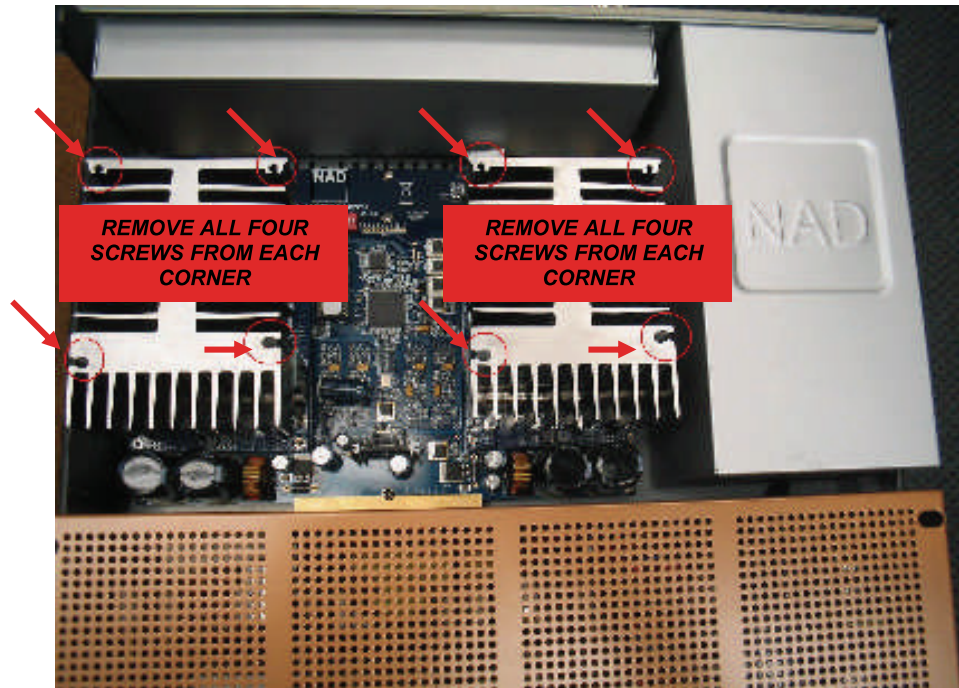
**DO NOT CONNECT A SIGNAL OR CONNECT A LOAD TO THE M2 UNTIL THE UNIT HAS BEEN CALIBRATED. FAILURE TO DO SO WILL RESULT TO DAMAGE.**

**STEPS:**

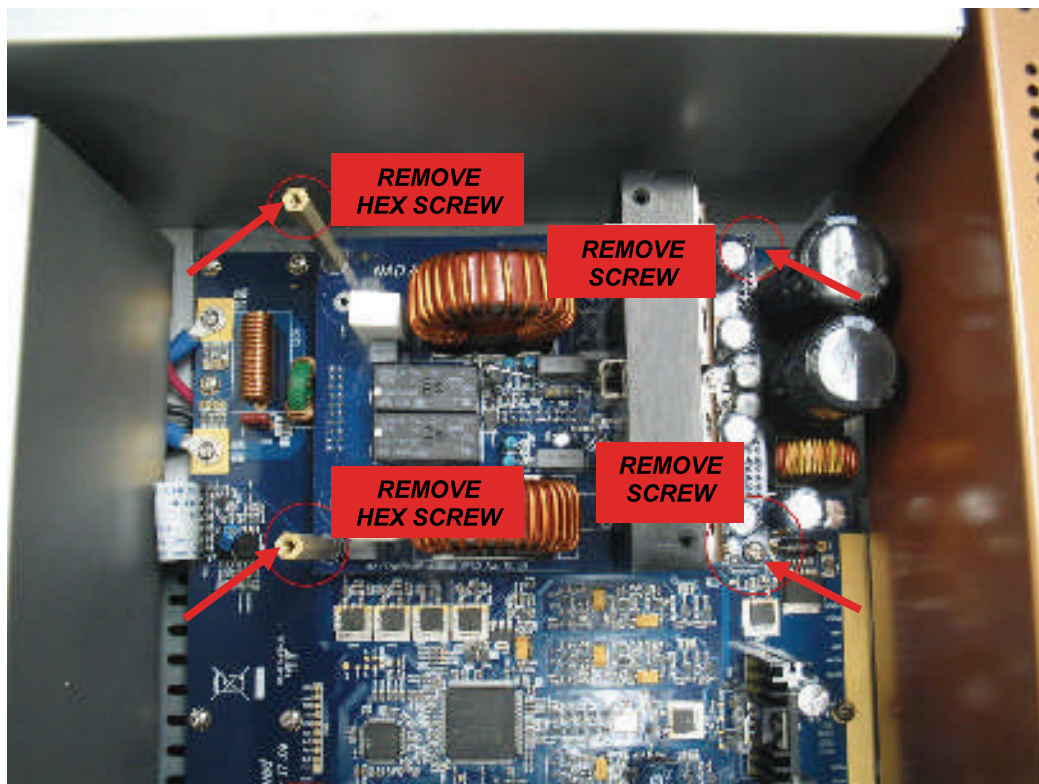
1. Remove top cover by removing all four hex screws and carefully slide the top cover away from the unit.
2. Remove all four circled screws from underneath the unit. These are used to support part of the heatsink from each module.



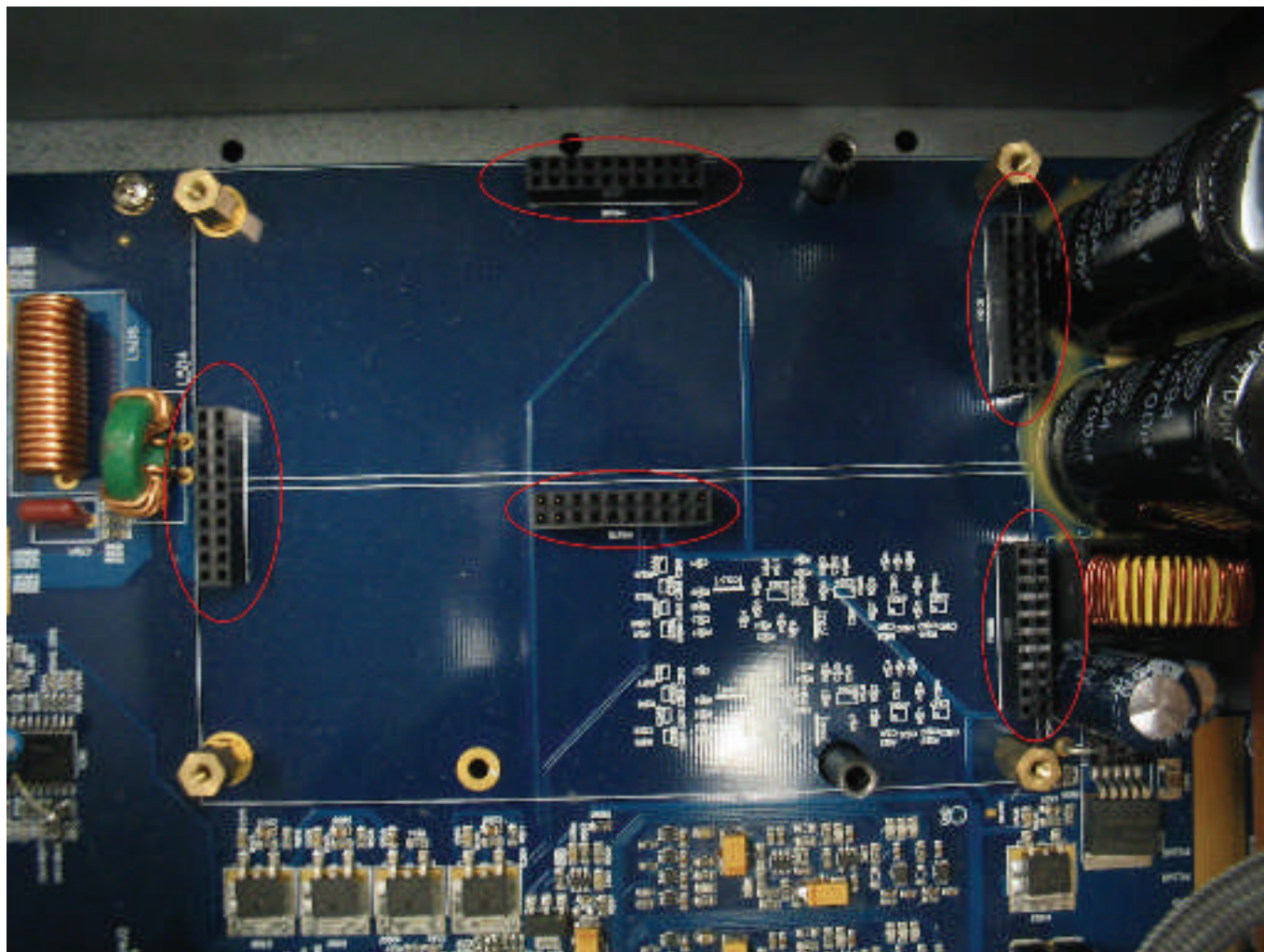
- Remove all eight screws fastening both heatsinks. (four screws per module)  
Once the heatsink is removed store it along with the thermal sheet. The thermal sheet must be placed back when the module is reassembled.



- Remove the screws circled from the module. Each module contains two hex screws and two regular screws.



5. Slowly and carefully making sure all screws have been removed, grip the module by its PCB board and pull the module in an upward motion. With small increments the module will disconnect from the mainboard connectors.
6. Once the amplifier module has been removed you will notice five connectors. Please take extra care when installing the replacement module. The header pins on the module must line up accordingly with each connector. Failure to connect correctly will damage the module.



7. Once the module has been successfully placed. Please continue with reassembly by following step 4 and work backwards to step 1.

**IMPORTANT FINAL PROCEDURE:**

**DO NOT POWER ON THE M2 UNTIL IT IS HOOKED TO THE PC TO BE CALIBRATED.**

**DO NOT CONNECT A SIGNAL OR CONNECT A LOAD TO THE M2 UNTIL THE UNIT HAS BEEN CALIBRATED. FAILURE TO DO SO WILL RESULT TO DAMAGE.**