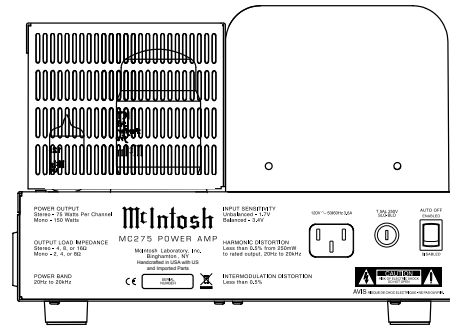
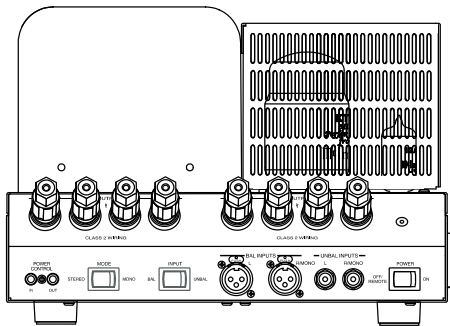
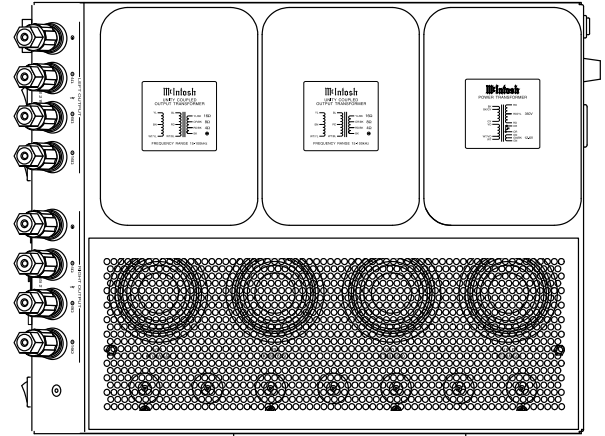
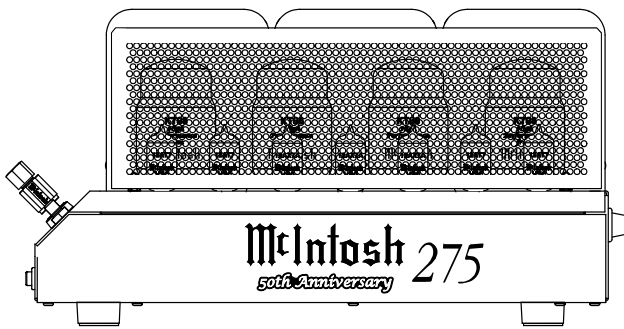




# MC275LE

## POWER AMPLIFIER

ALL SERIAL NUMBERS



### CONTENTS

Performance Specifications.....2  
 Notes.....2  
 Section Location.....3  
 Block Diagram .....5 - 6  
 Interconnection Diagram .....7 - 8  
 Main Schematic and PCB .....9 - 22  
 Terminal Schematic .....18  
 Terminal PCB.....23 - 24

Amplifier Schematic .....25 - 28  
 Balanced Input / Unbalanced Input /  
 Power Control / Tube Light Schematic.....29 - 30  
 Amplifier / Balanced Input / Unbalanced Input /  
 Power Control / Tube Light PCB .....31 - 34  
 Parts List .....37 - 46  
 Repacking Instruction .....47

# SERVICE MANUAL

# PERFORMANCE SPECIFICATIONS

## Power Output Stereo

Minimum sine wave continuous average power output per channel, both channels operating is:

- 75 watts into 4 ohm loads
- 75 watts into 8 ohm loads
- 75 watts into 16 ohm loads

## Power Output Mono (Parallel)

Minimum sine wave continuous average power output is:

- 150 watts into 2 ohm load
- 150 watts into 4 ohm load
- 150 watts into 8 ohm load

## Output Load Impedance

- 4, 8 or 16 ohms (Stereo Mode)
- 2, 4 or 8 ohms (Mono Mode)

## Rated Power Band

20Hz to 20,000Hz

## Total Harmonic Distortion

0.5% maximum harmonic distortion at any power level from 250 milliwatts to rated power, 20Hz to 20,000Hz

## Frequency Response

- +0, -0.5dB from 20Hz to 20,000Hz
- +0, -3.0dB from 10Hz to 100,000Hz

## Input Sensitivity (for rated output)

- 1.7 Volts Unbalanced
- 3.4 Volts Balanced

## Signal To Noise Ratio (A-Weighted)

105dB below rated output

## Intermodulation Distortion

0.5% maximum, if the instantaneous peak power output does not exceed twice the rated power output for any combination of frequencies from 20Hz to 20,000Hz.

## Wide Band Damping Factor

Greater than 22

## Input Impedance

- 47,000 ohms Unbalanced
- 20,000 ohms Balanced

## Tube Compliment

- 3 - 12AX7A Input and Phase Inverter
- 4 - 12AT7 Voltage Amplifier and Driver
- 4 - KT88/6550 Power Output

## Power Requirements

Field AC Voltage conversion of the MC275LE is not possible. The MC275LE is factory configured for one of the following AC Voltages:

- 100V ~ 50/60Hz at 4.4 Amps
- 110V ~ 50/60Hz at 3.6 Amps
- 120V ~ 50/60Hz at 3.6 Amps
- 220V ~ 50/60Hz at 2.0 Amps
- 230V ~ 50/60Hz at 1.8 Amps
- 240V ~ 50/60Hz at 1.8 Amps
- Standby: Less than 0.3 watts

*Note: Refer to the right side panel of the MC275LE for the correct voltage.*

## Overall Dimensions

- Width is 21-1/2 inches (54.6cm) including Cables
- Height is 8-1/2 inches (21.6cm) including feet
- Depth is 12 inches (30.5cm)


## Weight

67 pounds (30.5 kg) net, 75 pounds (34.1 kg) in shipping carton

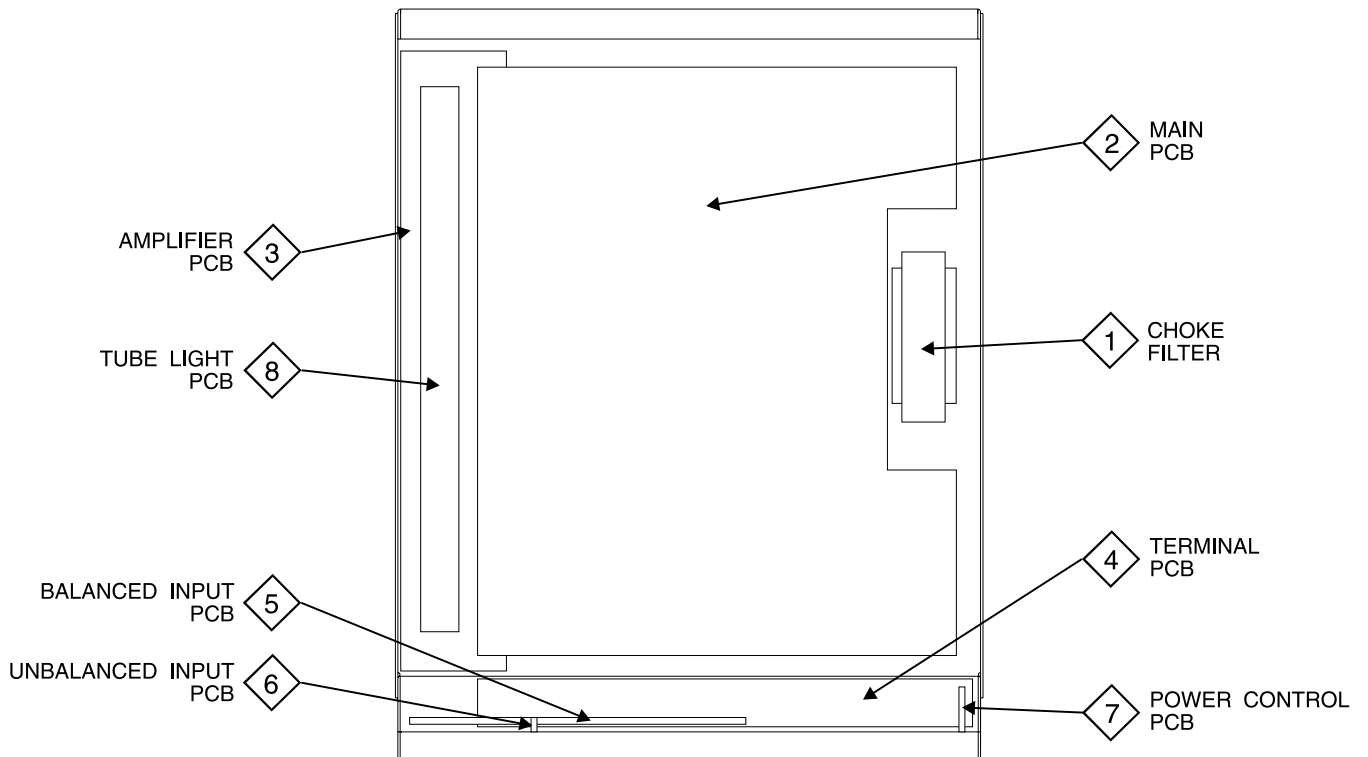
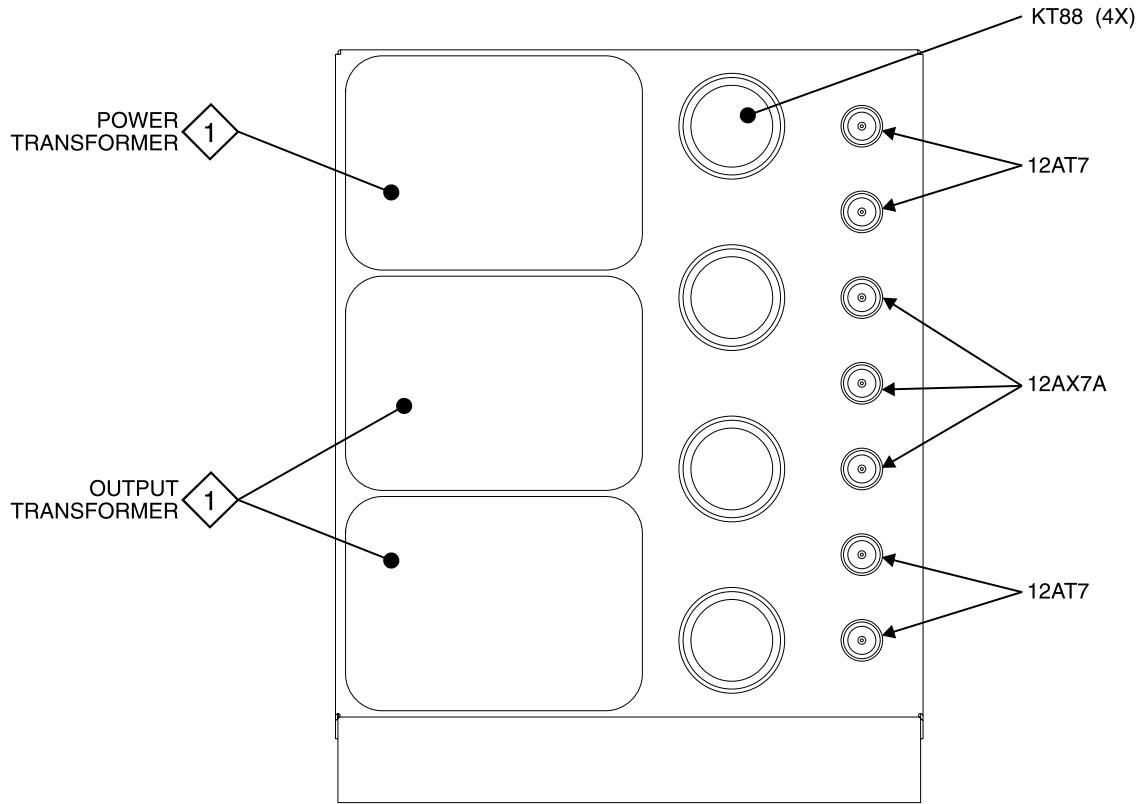
## Shipping Carton Dimensions

- Width is 22 inches (55.9cm)
- Height is 14 inches (35.6cm)
- Depth is 16-3/4 inches (42.6cm)

## NOTES

- Unless otherwise noted, all voltages indicated on the schematics are measured under the following conditions:
  - AC input at rated voltage marked on rear panel.
  - All voltages are +/-10% with respect to ground. A high impedance (10 megaohm) voltmeter must be used.
- Unless otherwise specified:
  - Resistor values are in ohms.
  - Capacitor values are microfarads (uF).
  - Inductor values are in microhenries (uH)
- On PC board drawings, Square pad indicates:
  - Polarized Capacitors - Positive
  - Diodes - Cathode
  - Others - Pin 1
- WARNING**  
Parts marked with the symbol  have critical characteristics. Use only replacement parts recommended by the manufacturer.

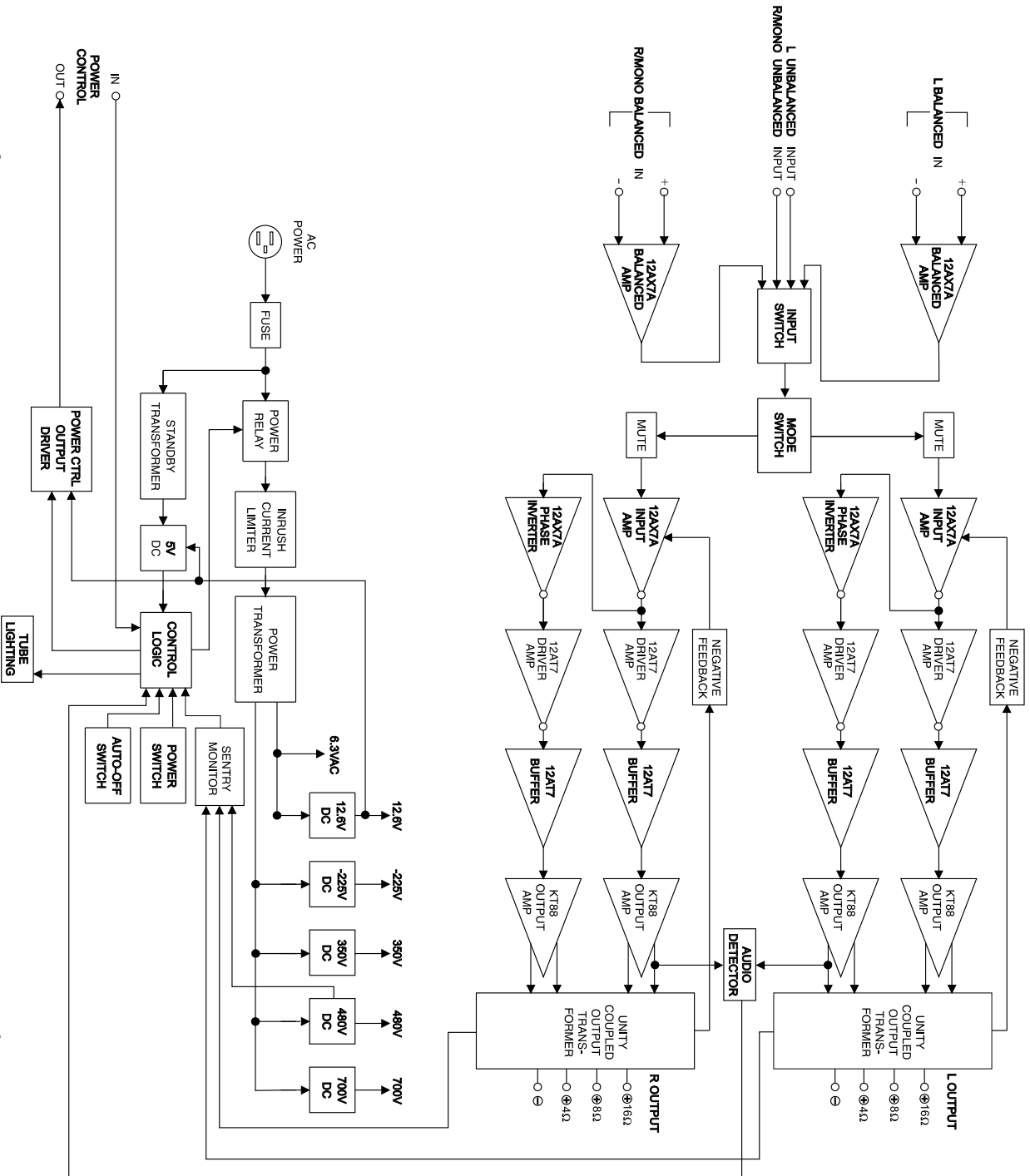
# SECTION LOCATIONS



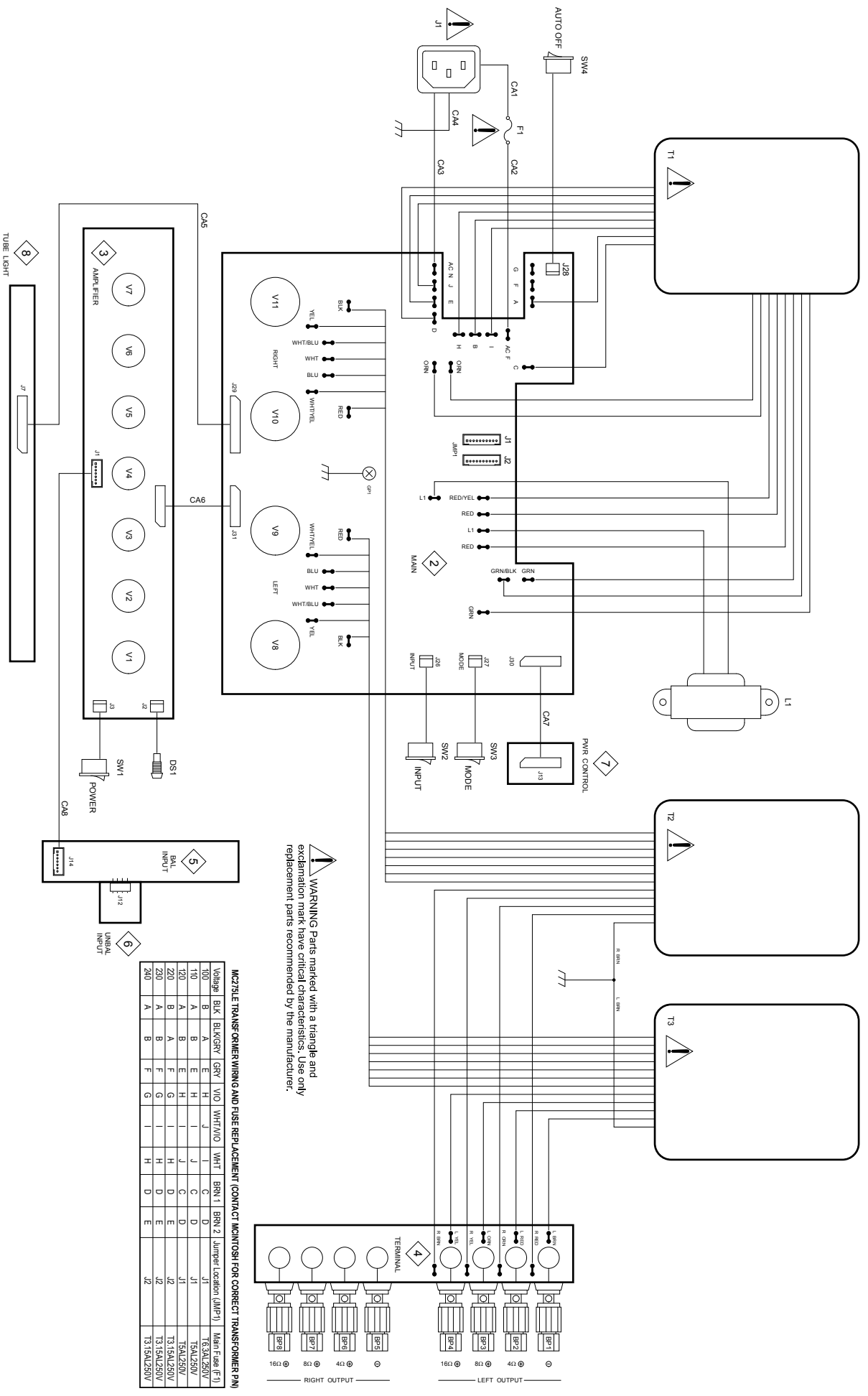
# *NOTES*

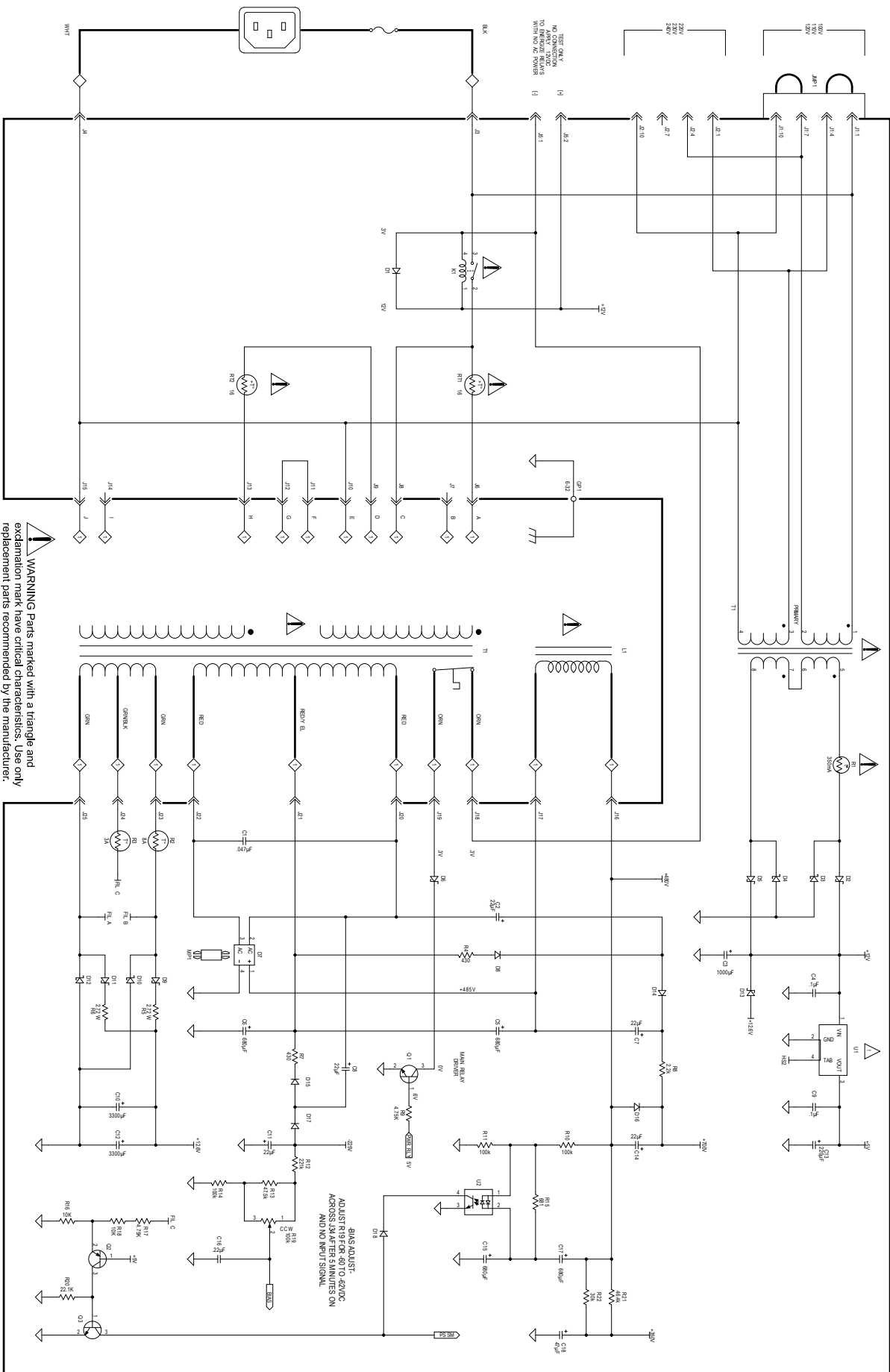
# BLOCK DIAGRAM

MC275LE



# INTERCONNECT

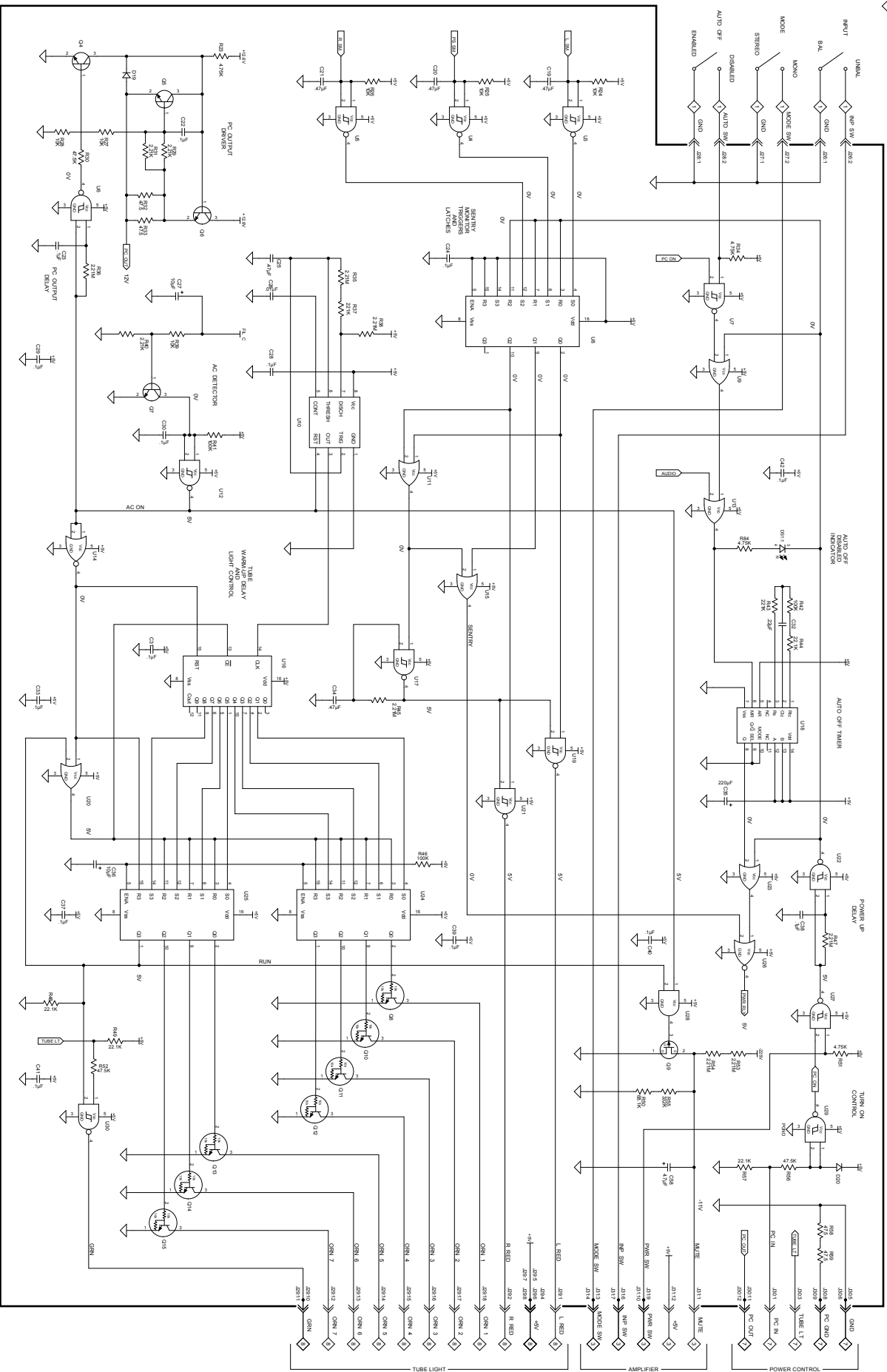




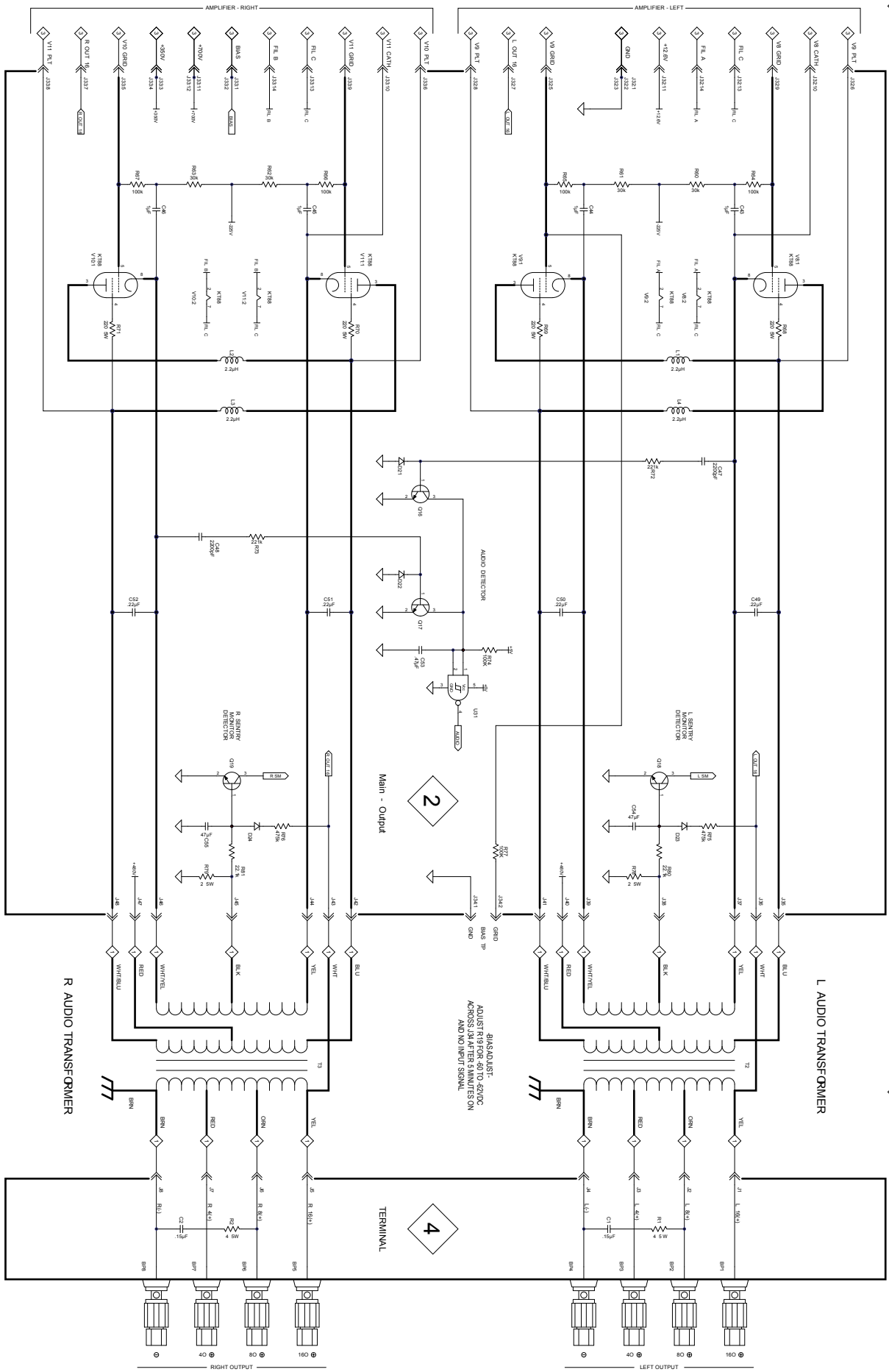


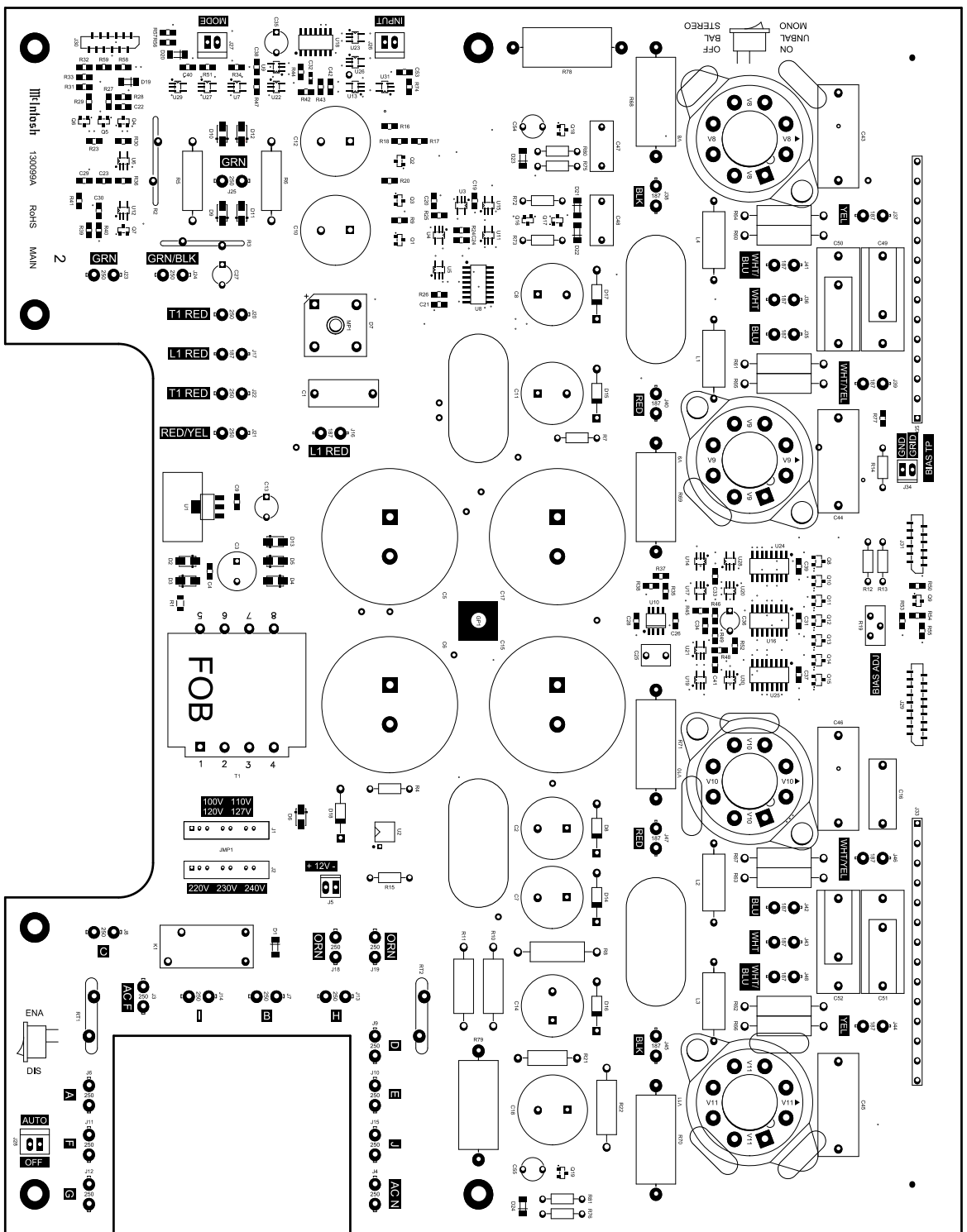


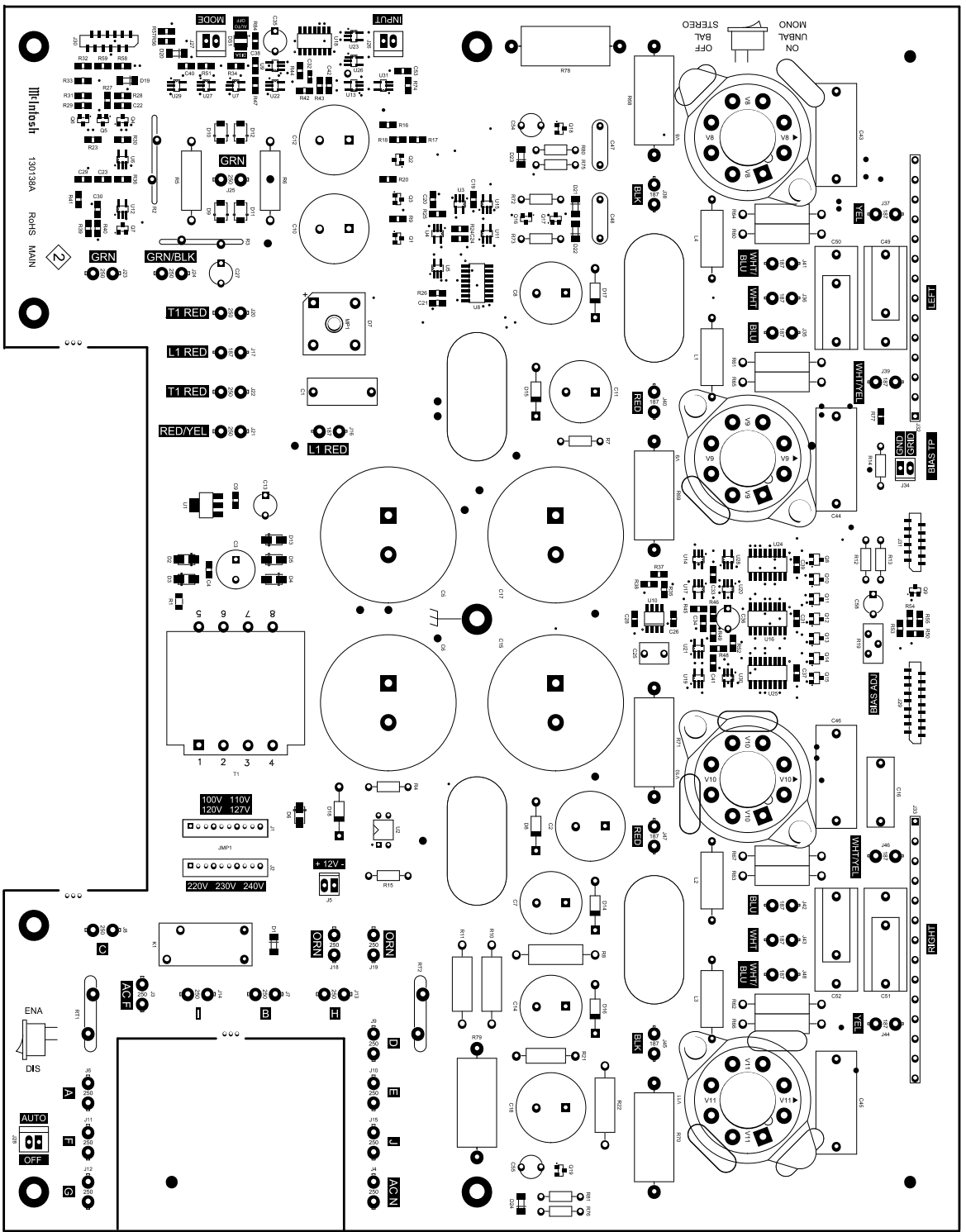
2 MAIN 751376 SCH 2 of 3



MC275LE

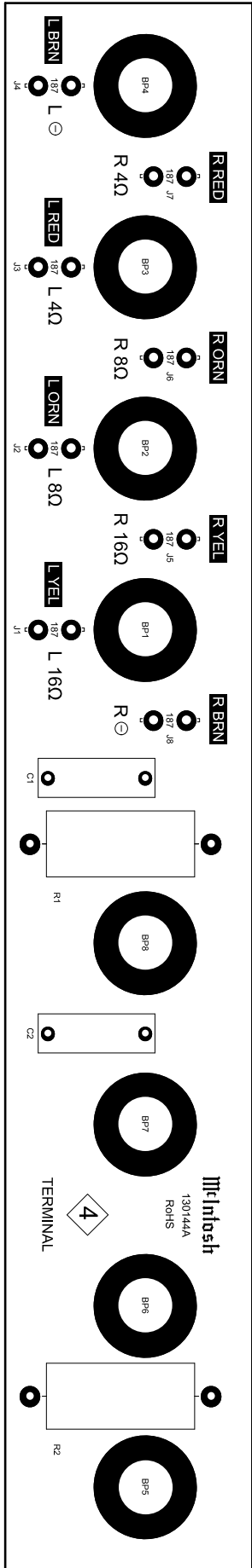






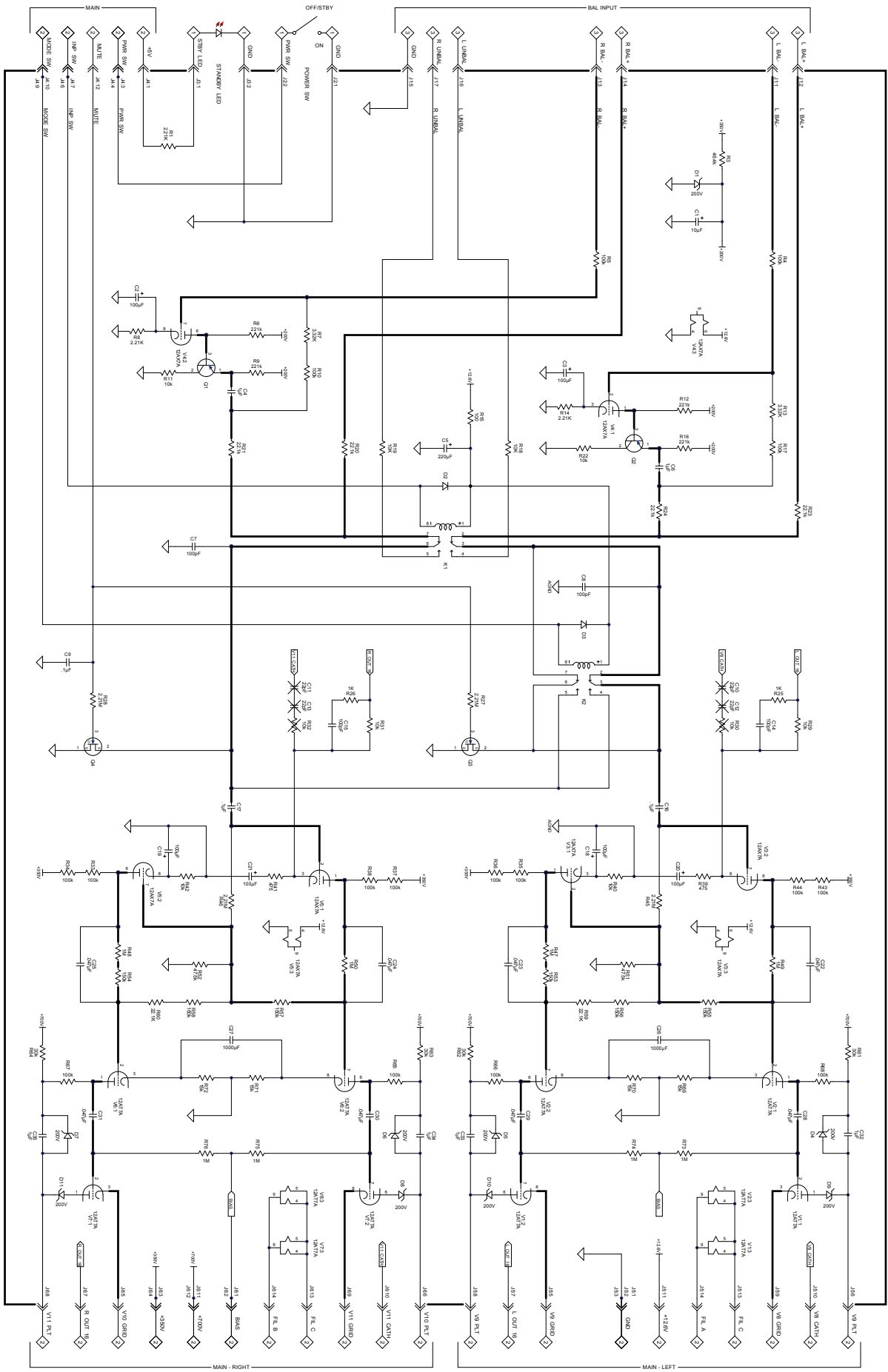
4

TERMINAL 751379 PCB



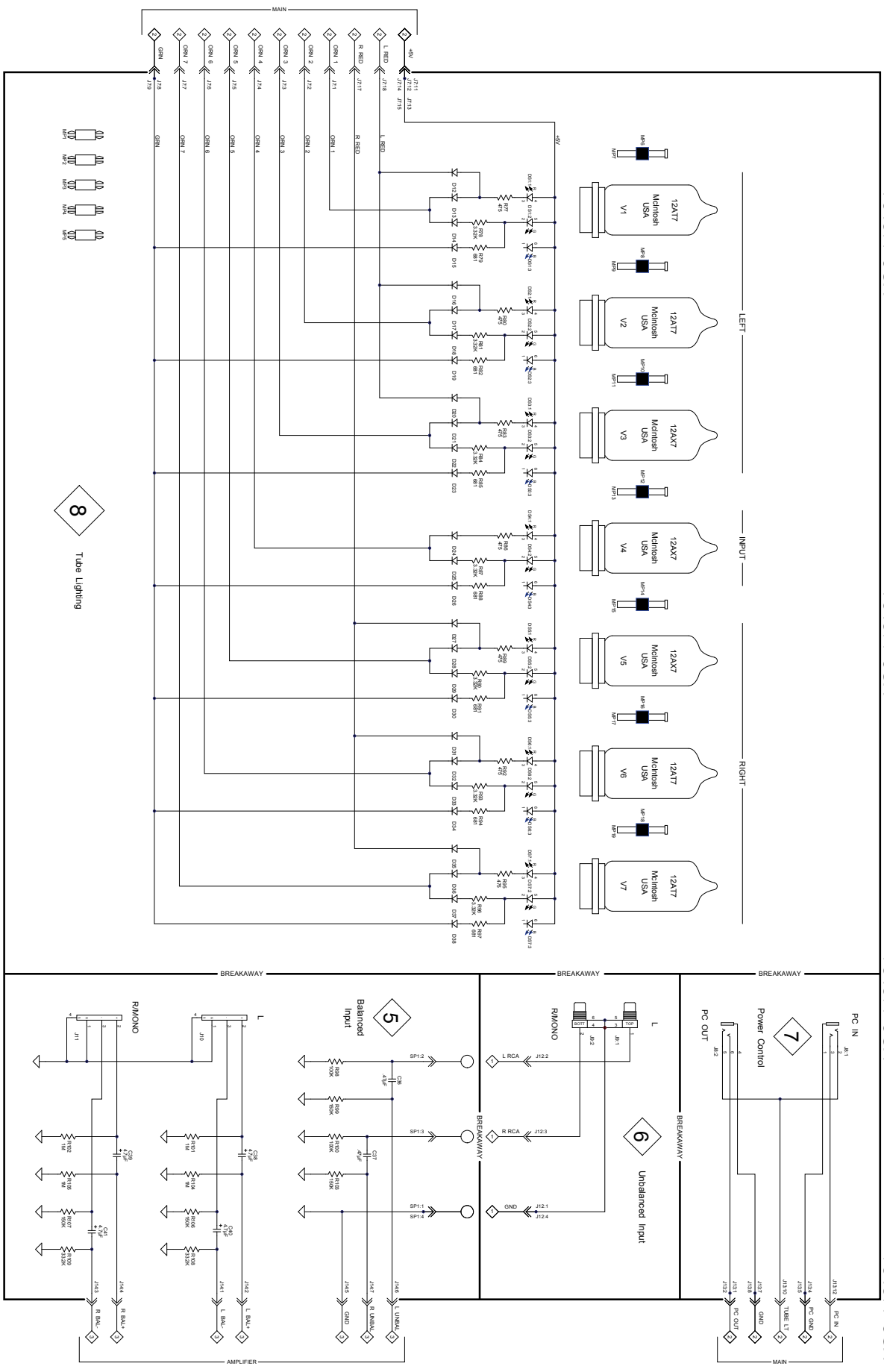


# 3 AMPLIFIER 751377 SCH

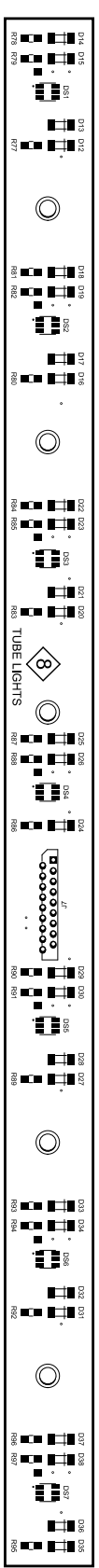
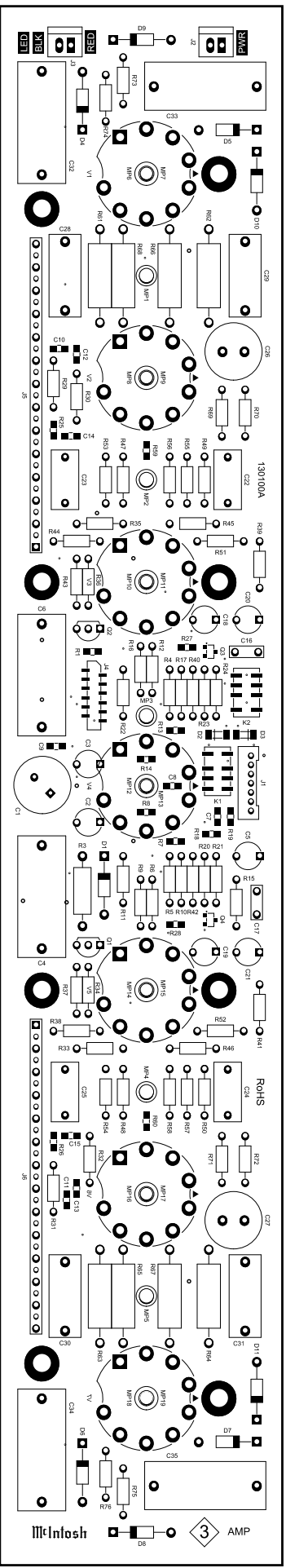
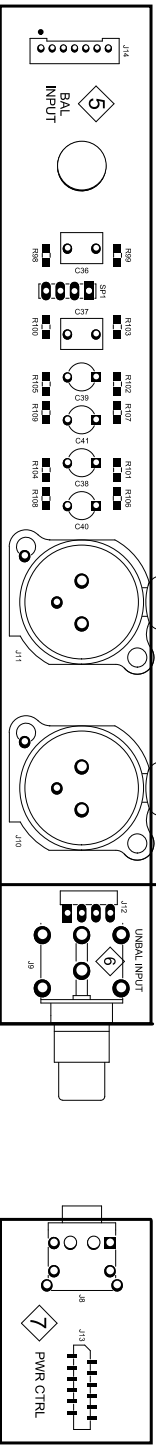


MC275LE

- 5 BAL INPUT 751262 SCH 751377 SCH
- 6 UNBAL INPUT 751262 SCH 751377 SCH
- 7 PWR CNTRL 751262 SCH 751377 SCH
- 8 TUBE LT 751262 SCH 751377 SCH

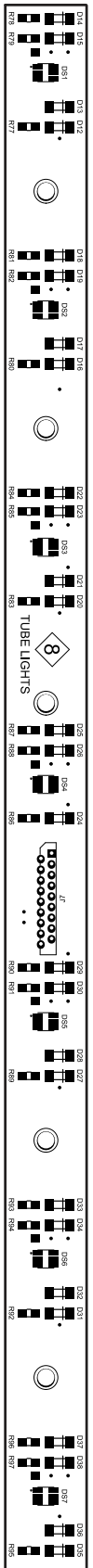
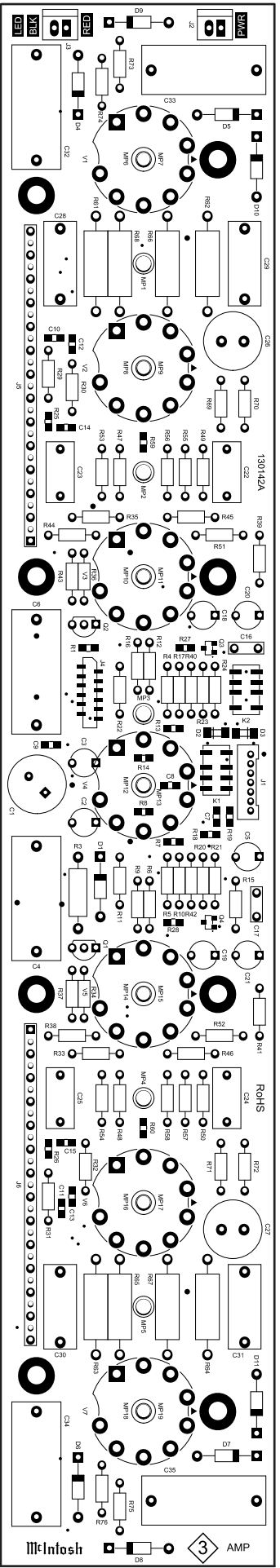
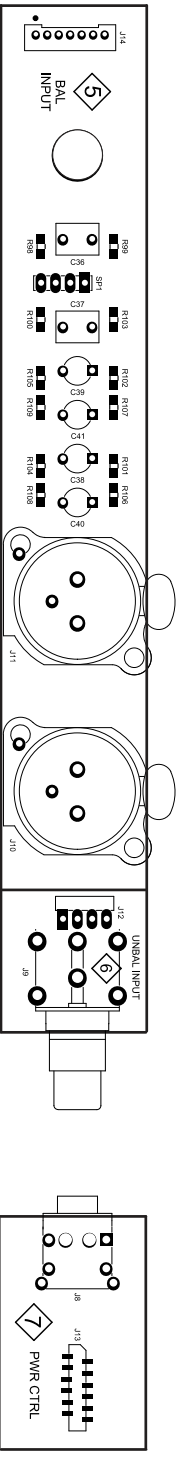


- 3 AMP 751262 PCB
- 5 BAL INP 751262 PCB
- 6 UNBAL INP 751262 PCB
- 7 PWR CTRL 751262 PCB
- 8 TUBE LT 751262 PCB



MC275LE

- 3 AMP 751377 PCB
- 5 BAL INP 751377 PCB
- 6 UNBAL INP 751377 PCB
- 7 PWR CTRL 751377 PCB
- 8 TUBE LT 751377 PCB



# NOTES

35

36

## PARTS LIST

## ① INTERCONNECT

Ref. No.	Description	Part No.	Ref. No.	Description	Part No.
BP1	MCINTOSH BINDING POST	084226	C18	CAP ELECT 47UF 450V	066560
BP2	MCINTOSH BINDING POST	084226	C19	CAP MONO .1UF 50V 20% SMD0805	061365
BP3	MCINTOSH BINDING POST	084226	C20	CAP MONO .1UF 50V 20% SMD0805	061365
BP4	MCINTOSH BINDING POST	084226	C21	CAP MONO .1UF 50V 20% SMD0805	061365
BP5	MCINTOSH BINDING POST	084226	C22	CAP MONO .1UF 50V 20% SMD0805	061365
BP6	MCINTOSH BINDING POST	084226	C23	CAP MONO .1UF 50V 20% SMD0805	061365
BP7	MCINTOSH BINDING POST	084226	C24	CAP MONO .1UF 50V 20% SMD0805	061365
BP8	MCINTOSH BINDING POST	084226	C25	CAP MPF 0.47UF 5% 63/100VDC	064442
CA1	CABLE ASSY AC	173124	C26	CAP .01UF 50V 20% SMD0805	061372
CA2	CABLE ASSY AC	173124	C27	CAP ELECT 10UF 50V	066445
CA3	CABLE ASSY AC	173124	C28	CAP MONO .1UF 50V 20% SMD0805	061365
CA4	CABLE ASSY RECEPTACLE/GND WIRE	171723	C29	CAP MONO .1UF 50V 20% SMD0805	061365
CA5	CABLE ASSY 18 COND 90MM	171446	C30	CAP MONO .1UF 50V 20% SMD0805	061365
CA6	CABLE ASSY 12 COND 70MM	171318	C31	CAP MONO .1UF 50V 20% SMD0805	061365
CA7	CABLE ASSY 12 COND 70MM	171318	C32	CAP SMD0603 .22uF 10% 10V X7R	061387
CA8	CABLE ASSY INPUT	173142	C33	CAP MONO .1UF 50V 20% SMD0805	061365
DS1	LED RED PANEL MOUNT ASSY	058194	C34	CAP .47UF 50V 20% SMD0805	061373
F1	FUSEHOLDER 1/4" FASTONS 5X20	178190	C35	CAP ELECT 220UF 25V	066507
J1	RECEPTACLE AC LINE 18GA QK-CNT	118006	C36	CAP ELECT 10UF 50V	066445
JMP1	JUMPER BACK-UP	173085	C37	CAP MONO .1UF 50V 20% SMD0805	061365
L1	INDUCTOR FILTER 0.2H	122423	C38	CAP MONO .1UF 50V 20% SMD0805	061365
SW1	SWITCH ASSY ROCKER	052141	C39	CAP MONO .1UF 50V 20% SMD0805	061365
SW2	SWITCH ASSY ROCKER	052141	C40	CAP MONO .1UF 50V 20% SMD0805	061365
SW3	SWITCH ASSY ROCKER	052141	C41	CAP MONO .1UF 50V 20% SMD0805	061365
SW4	SWITCH ASSY ROCKER	052141	C42	CAP MONO .1UF 50V 20% SMD0805	061365
T1	TRANSFORMER POTTED POWER-CONTACT SERVICE		C43	CAP POLYPROP 1uF 250V 20%	064433
T2	TRANSFORMER POTTED OUTPUT	751327	C44	CAP POLYPROP 1uF 250V 20%	064433
T3	TRANSFORMER POTTED OUTPUT	751327	C45	CAP POLYPROP 1uF 250V 20%	064433
V1	TUBE 12AT7 SCREENED	165078	C46	CAP POLYPROP 1uF 250V 20%	064433
V2	TUBE 12AT7 SCREENED	165078	C47	CAPACITOR 2200PF 250VAC 10%	061375
V3	TUBE 12AX7A SCREENED	165080	C48	CAPACITOR 2200PF 250VAC 10%	061375
V4	TUBE 12AX7A SCREENED	165080	C49	CAP POLYPROP 0.22UF 20% 1KVDC	064432
V5	TUBE 12AX7A SCREENED	165080	C50	CAP POLYPROP 0.22UF 20% 1KVDC	064432
V6	TUBE 12AT7 SCREENED	165078	C51	CAP POLYPROP 0.22UF 20% 1KVDC	064432
V7	TUBE 12AT7 SCREENED	165078	C52	CAP POLYPROP 0.22UF 20% 1KVDC	064432
V8	TUBE KT88 SCREENED	165073	C53	CAP .47UF 50V 20% SMD0805	061373
V9	TUBE KT88 SCREENED	165073	C54	CAP ELECT 47UF 25V 20% BP	066556
V10	TUBE KT88 SCREENED	165073	C55	CAP ELECT 47UF 25V 20% BP	066556
V11	TUBE KT88 SCREENED	165073	D1	DIODE SMALL SIGNAL 4148 SMD	070199

## ② MAIN PCB 751261

C1	CAP POLY .047UF 10% 1000VDC	064434	D2	DIODE SCHOTTKY 40V 2A SMD	070210
C2	CAP ELECT 22UF 450V	066597	D3	DIODE SCHOTTKY 40V 2A SMD	070210
C3	CAP ELECT 1000UF 25V	066513	D4	DIODE SCHOTTKY 40V 2A SMD	070210
C4	CAP MONO .1UF 50V 20% SMD0805	061365	D5	DIODE SCHOTTKY 40V 2A SMD	070210
C5	CAP ELECT 680UF 315V	066618	D6	DIODE SCHOTTKY 40V 2A SMD	070210
C6	CAP ELECT 680UF 315V	066618	D7	DIODE BRID RECT 1000V 6A	070180
C7	CAP ELECT 22UF 450V	066597	D8	DIODE RECTIFIER 1N4007	070178
C8	CAP ELECT 22UF 450V	066597	D9	DIODE SCHOTTKY 40V 2A SMD	070210
C9	CAP MONO .1UF 50V 20% SMD0805	061365	D10	DIODE SCHOTTKY 40V 2A SMD	070210
C10	CAP ELECT 3300UF 35V	066509	D11	DIODE SCHOTTKY 40V 2A SMD	070210
C11	CAP ELECT 22UF 450V	066597	D12	DIODE SCHOTTKY 40V 2A SMD	070210
C12	CAP ELECT 3300UF 35V	066509	D13	DIODE SCHOTTKY 40V 2A SMD	070210
C13	CAP ELECT 220UF 25V	066507	D14	DIODE RECTIFIER 1N4007	070178
C14	CAP ELECT 22UF 450V	066597	D15	DIODE RECTIFIER 1N4007	070178
C15	CAP ELECT 680UF 315V	066618	D16	DIODE RECTIFIER	070175
C16	CAP MPF 0.22UF 400VDC	064438	D17	DIODE RECTIFIER 1N4007	070175
C17	CAP ELECT 680UF 315V	066618	D18	DIODE RECTIFIER	070175
			D19	DIODE SMALL SIGNAL 4148 SMD	070199
			D20	DIODE SMALL SIGNAL 4148 SMD	070199

# PARTS LIST (Cont'd.)

## ② MAIN PCB 751261 (Cont'd.)

Ref. No.	Description	Part No.	Ref. No.	Description	Part No.
D21	DIODE SMALL SIGNAL 4148 SMD	070199	Q1	TRANSISTOR NPN 60V MMBTA05LT1G SMD	132333
D22	DIODE SMALL SIGNAL 4148 SMD	070199	Q2	TRANSISTOR PNP 60V MMBTA55LT1G SMD	132334
D23	DIODE SMALL SIGNAL 4148 SMD	070199	Q3	TRANSISTOR NPN 60V MMBTA05LT1G SMD	132333
D24	DIODE SMALL SIGNAL 4148 SMD	070199	Q4	TRANSISTOR NPN 60V MMBTA05LT1G SMD	132333
J1	10 PIN SHROUDED HEADER 2MM	117973	Q5	TRANSISTOR NPN 60V MMBTA05LT1G SMD	132333
J2	10 PIN SHROUDED HEADER 2MM	117973	Q6	TRANSISTOR NPN 60V MMBTA05LT1G SMD	132333
J3	BLADE FASTON .250	117708	Q7	TRANSISTOR NPN 60V MMBTA05LT1G SMD	132333
J4	BLADE FASTON .250	117708	Q8	TRANSISTOR NPN W/R1R2 10K/10K	132346
J5	CONN 2 PIN MALE	117213	Q9	TRANSISTOR PNP 60V MMBTA55LT1G SMD	132334
J6	BLADE FASTON .250	117708	Q10	TRANSISTOR NPN W/R1R2 10K/10K	132346
J7	BLADE FASTON .250	117708	Q11	TRANSISTOR NPN W/R1R2 10K/10K	132346
J8	BLADE FASTON .250	117708	Q12	TRANSISTOR NPN W/R1R2 10K/10K	132346
J9	BLADE FASTON .250	117708	Q13	TRANSISTOR NPN W/R1R2 10K/10K	132346
J10	BLADE FASTON .250	117708	Q14	TRANSISTOR NPN W/R1R2 10K/10K	132346
J11	BLADE FASTON .250	117708	Q15	TRANSISTOR NPN W/R1R2 10K/10K	132346
J12	BLADE FASTON .250	117708	Q16	TRANSISTOR NPN 60V MMBTA05LT1G SMD	132333
J13	BLADE FASTON .250	117708	Q17	TRANSISTOR NPN 60V MMBTA05LT1G SMD	132333
J14	BLADE FASTON .250	117708	Q18	TRANSISTOR NPN 60V MMBTA05LT1G SMD	132333
J15	BLADE FASTON .250	117708	Q19	TRANSISTOR NPN 60V MMBTA05LT1G SMD	132333
J16	BLADE FASTON .187	117726	R1	FUSE 0.35A 16V RESET 1206 SMD	145054
J17	BLADE FASTON .187	117726	R2	POLYSWITCH 8A 30V	144750
J18	BLADE FASTON .250	117708	R3	POLYSWITCH 3.00A 72V	144722
J19	BLADE FASTON .250	117708	R4	RES MO 430 OHM .5W 5%	137101
J20	BLADE FASTON .250	117708	R5	RES WW 2.7 OHM 2W 5% FP	139263
J21	BLADE FASTON .250	117708	R6	RES WW 2.7 OHM 2W 5% FP	139263
J22	BLADE FASTON .250	117708	R7	RES MO 430 OHM .5W 5%	137101
J23	BLADE FASTON .250	117708	R8	RES MO 2.2K 5% 2W	144666
J24	BLADE FASTON .250	117708	R9	RES SMD0805 4.75K 1/8W 1%	145008
J25	BLADE FASTON .250	117708	R10	RES MO 100K 2W 5%	144698
J26	HEADER 2 PIN LATCHING	117766	R11	RES MO 100K 2W 5%	144698
J27	HEADER 2 PIN LATCHING	117766	R12	RES MF 221K 1% 1/4W	144629
J28	HEADER 2 PIN LATCHING	117766	R13	RES MF 47.5K 1% 1/4W	144526
J29	CONN 18 PIN FFC SMD	118003	R14	RES MF 100K 1% 1/4W	144528
J30	CONN 12 PIN FFC SMD	118001	R15	RES MF 681 OHM 1% 1/4W	144567
J31	CONN 12 PIN FFC SMD	118001	R16	RES SMD0805 10K 1/8W 1%	145010
J32	CONN HEADER 14 PIN 0.2"	118008	R17	RES SMD0805 4.75K 1/8W 1%	145008
J33	CONN HEADER 14 PIN 0.2"	118008	R18	RES SMD0805 10K 1/8W 1%	145010
J34	CONN 2 PIN MALE	117213	R19	POT TRIM 100K OHM 20%	134504
J35	BLADE FASTON .187	117726	R20	RES SMD0805 22.1K 1/8W 1%	145012
J36	BLADE FASTON .187	117726	R21	RES MO 46.4K 1% 1W	144637
J37	BLADE FASTON .187	117726	R22	RES MO 30K 5% 2W	144602
J38	BLADE FASTON .187	117726	R23	RES SMD0805 4.75K 1/8W 1%	145008
J39	BLADE FASTON .187	117726	R24	RES SMD0805 10K 1/8W 1%	145010
J40	BLADE FASTON .187	117726	R25	RES SMD0805 10K 1/8W 1%	145010
J41	BLADE FASTON .187	117726	R26	RES SMD0805 10K 1/8W 1%	145010
J42	BLADE FASTON .187	117726	R27	RES SMD0805 10K 1/8W 1%	145010
J43	BLADE FASTON .187	117726	R28	RES SMD0805 10K 1/8W 1%	145010
J44	BLADE FASTON .187	117726	R29	RES SMD0805 475 1/8W 1%	145020
J45	BLADE FASTON .187	117726	R30	RES SMD0805 47.5K 1/8W 1%	145013
J46	BLADE FASTON .187	117726	R31	RES SMD0805 475 1/8W 1%	145020
J47	BLADE FASTON .187	117726	R32	RES SMD0805 47.5 1/8W 1%	145004
J48	BLADE FASTON .187	117726	R33	RES SMD0805 47.5 1/8W 1%	145004
K1	RELAY POWER TV5 12V	087086	R34	RES SMD0805 4.75K 1/8W 1%	145008
L1	CHOKE 2.2 uH	122405	R35	RES SMD0805 2.21M 1/8W 1%	145043
L2	CHOKE 2.2 uH	122405	R36	RES SMD0805 2.21M 1/8W 1%	145043
L3	CHOKE 2.2 uH	122405	R37	RES SMD0805 221K 1/8W 1%	145038
L4	CHOKE 2.2 uH	122405	R38	RES SMD0805 2.21M 1/8W 1%	145043
MP1	STANDOFF PCB 5/16" NYLON	412160	R39	RES SMD0805 2.21K 1/8W 1%	145024
PCB1	MAIN 'PC BD	130099	R40	RES SMD0805 475 1/8W 1%	145020

## PARTS LIST (Cont'd.)

## ② MAIN PCB 751261 (Cont'd.)

Ref. No.	Description	Part No.
R41	RES SMD0805 100K 1/8W 1%	145014
R42	RES SMD0805 100K 1/8W 1%	145014
R43	RES SMD0805 221K 1/8W 1%	145038
R44	RES SMD0805 22.1K 1/8W 1%	145012
R45	RES SMD0805 2.21M 1/8W 1%	145043
R46	RES SMD0805 100K 1/8W 1%	145014
R47	RES SMD0805 2.21M 1/8W 1%	145043
R48	RES SMD0805 22.1K 1/8W 1%	145012
R49	RES SMD0805 22.1K 1/8W 1%	145012
R50	RES SMD0805 22.1K 1/8W 1%	145012
R51	RES SMD0805 4.75K 1/8W 1%	145008
R52	RES SMD0805 47.5K 1/8W 1%	145013
R53	RES SMD0805 2.21M 1/8W 1%	145043
R54	RES SMD0805 2.21M 1/8W 1%	145043
R55	RES SMD0805 221K 1/8W 1%	145038
R56	RES SMD0805 47.5K 1/8W 1%	145013
R57	RES SMD0805 22.1K 1/8W 1%	145012
R58	RES SMD0805 47.5 1/8W 1%	145004
R59	RES SMD0805 47.5 1/8W 1%	145004
R60	RES MO 30K 5% 2W	144602
R61	RES MO 30K 5% 2W	144602
R62	RES MO 30K 5% 2W	144602
R63	RES MO 30K 5% 2W	144602
R64	RES MO 100K 2W 5%	144698
R65	RES MO 100K 2W 5%	144698
R66	RES MO 100K 2W 5%	144698
R67	RES MO 100K 2W 5%	144698
R68	RES WW 220 OHM 5% 5W	139275
R69	RES WW 220 OHM 5% 5W	139275
R70	RES WW 220 OHM 5% 5W	139275
R71	RES WW 220 OHM 5% 5W	139275
R72	RES MF 221K 1% 1/4W	144629
R73	RES MF 221K 1% 1/4W	144629
R74	RES SMD0805 100K 1/8W 1%	145014
R75	RES MF 475K 1% 1/4W	144604
R76	RES MF 475K 1% 1/4W	144604
R77	RES SMD0805 100K 1/8W 1%	145014
R78	RES WW 2 OHM 10% 5W	139253
R79	RES WW 2 OHM 10% 5W	139253
R80	RES MF 22.1K 1% 1/4W	144564
R81	RES MF 22.1K 1% 1/4W	144564
RT1	THERMISTOR 16 OHM	144282
RT2	THERMISTOR 16 OHM	144282
T1	TRANSFORMER BACKUP	159376
U1	IC REGULATOR 5V 500mA SMD	133737
U2	IC OPTOCOUPLER, PHOTOTRANSISTOR	131031
U3	IC SINGLE NAND SCHMITT SMD	133724
U4	IC SINGLE NAND SCHMITT SMD	133724
U5	IC SINGLE NAND SCHMITT SMD	133724
U6	IC SINGLE NAND SCHMITT SMD	133724
U7	IC SINGLE NAND SCHMITT SMD	133724
U8	IC LATCH R-S QUAD NOR SMD	133795
U9	IC SINGLE 2 INPUT OR GATE SMD	133700
U10	IC TIMER/OSC LM555 SMD	133793
U11	IC SINGLE 2 INPUT OR GATE SMD	133700
U12	IC SINGLE NAND SCHMITT SMD	133724
U13	IC SINGLE 2 INPUT OR GATE SMD	133700
U14	IC SINGLE 2-INPUT NOR GATE SMD	133500
U15	IC SINGLE 2 INPUT OR GATE SMD	133700

Ref. No.	Description	Part No.
U16	IC DECADE COUNTER SMD	133794
U17	IC SINGLE NAND SCHMITT SMD	133724
U18	IC PROGRAMMABLE TIMER SMD	133813
U19	IC SINGLE NAND SCHMITT SMD	133724
U20	IC SINGLE 2 INPUT OR GATE SMD	133700
U21	IC SINGLE NAND SCHMITT SMD	133724
U22	IC SINGLE NAND SCHMITT SMD	133724
U23	IC SINGLE 2 INPUT OR GATE SMD	133700
U24	IC LATCH R-S QUAD NOR SMD	133795
U25	IC LATCH R-S QUAD NOR SMD	133795
U26	IC SINGLE 2-INPUT NOR GATE SMD	133500
U27	IC SINGLE NAND SCHMITT SMD	133724
U28	IC SINGLE NAND SCHMITT SMD	133724
U29	IC SINGLE NAND SCHMITT SMD	133724
U30	IC SINGLE NAND SCHMITT SMD	133724
U31	IC SINGLE NAND SCHMITT SMD	133724
V8	SOCKET OCTAL TUBE CERAMIC	178196
V9	SOCKET OCTAL TUBE CERAMIC	178196
V10	SOCKET OCTAL TUBE CERAMIC	178196
V11	SOCKET OCTAL TUBE CERAMIC	178196

## ② MAIN PCB 751376

Ref. No.	Description	Part No.
C1	CAP POLY .047UF 10% 1000VDC	064434
C2	CAP ELECT 47UF 450V	066560
C3	CAP ELECT 1000UF 25V	066513
C4	CAP MONO .1UF 50V 20% SMD0805	061365
C5	CAP ELECT 680UF 315V	066618
C6	CAP ELECT 680UF 315V	066618
C7	CAP ELECT 22UF 450V	066597
C8	CAP ELECT 22UF 450V	066597
C9	CAP MONO .1UF 50V 20% SMD0805	061365
C10	CAP ELECT 3300UF 35V	066509
C11	CAP ELECT 22UF 450V	066597
C12	CAP ELECT 3300UF 35V	066509
C13	CAP ELECT 220UF 25V	066507
C14	CAP ELECT 22UF 450V	066597
C15	CAP ELECT 680UF 315V	066618
C16	CAP MPF 0.22UF 400VDC	064438
C17	CAP ELECT 680UF 315V	066618
C18	CAP ELECT 47UF 450V	066560
C19	CAP .47UF 50V 20% SMD0805	061373
C20	CAP .47UF 50V 20% SMD0805	061373
C21	CAP .47UF 50V 20% SMD0805	061373
C22	CAP MONO .1UF 50V 20% SMD0805	061365
C23	CAP MONO .1UF 50V 20% SMD0805	061365
C24	CAP MONO .1UF 50V 20% SMD0805	061365
C25	CAP MPF 0.47UF 5% 63/100VDC	064442
C26	CAP .01UF 50V 20% SMD0805	061372
C27	CAP ELECT 10UF 100VDC	066462
C28	CAP MONO .1UF 50V 20% SMD0805	061365
C29	CAP MONO .1UF 50V 20% SMD0805	061365
C30	CAP MONO .1UF 50V 20% SMD0805	061365
C31	CAP MONO .1UF 50V 20% SMD0805	061365
C32	CAP SMD0603 .22uF 10% 10V X7R	061387
C33	CAP MONO .1UF 50V 20% SMD0805	061365
C34	CAP .47UF 50V 20% SMD0805	061373
C35	CAP ELECT 220UF 25V	066507
C36	CAP ELECT 10UF 100VDC	066462

# PARTS LIST (Cont'd.)

## ② MAIN PCB 751376 (Cont'd.)

Ref. No.	Description	Part No.	Ref. No.	Description	Part No.
C37	CAP MONO .1UF 50V 20% SMD0805	061365	J15	BLADE FASTON .250	117708
C38	CAP MONO .1UF 50V 20% SMD0805	061365	J16	BLADE FASTON .187	117726
C39	CAP MONO .1UF 50V 20% SMD0805	061365	J17	BLADE FASTON .187	117726
C40	CAP MONO .1UF 50V 20% SMD0805	061365	J18	BLADE FASTON .250	117708
C41	CAP MONO .1UF 50V 20% SMD0805	061365	J19	BLADE FASTON .250	117708
C42	CAP MONO .1UF 50V 20% SMD0805	061365	J20	BLADE FASTON .250	117708
C43	CAP POLYPROP 1uF 250V 20%	064433	J21	BLADE FASTON .250	117708
C44	CAP POLYPROP 1uF 250V 20%	064433	J22	BLADE FASTON .250	117708
C45	CAP POLYPROP 1uF 250V 20%	064433	J24	BLADE FASTON .250	117708
C46	CAP POLYPROP 1uF 250V 20%	064433	J25	BLADE FASTON .250	117708
C47	CAPACITOR 2200PF 250VAC 10%	061375	J26	HEADER 2 PIN LATCHING	117766
C48	CAPACITOR 2200PF 250VAC 10%	061375	J27	HEADER 2 PIN LATCHING	117766
C49	CAP POLYPROP 0.22UF 20% 1KVDC	064432	J28	HEADER 2 PIN LATCHING	117766
C50	CAP POLYPROP 0.22UF 20% 1KVDC	064432	J29	CONN 18 PIN FFC SMD	118003
C51	CAP POLYPROP 0.22UF 20% 1KVDC	064432	J30	CONN 12 PIN FFC SMD	118001
C52	CAP POLYPROP 0.22UF 20% 1KVDC	064432	J31	CONN 12 PIN FFC SMD	118001
C53	CAP .47UF 50V 20% SMD0805	061373	J32	CONN HEADER 14 PIN 0.2"	118008
C54	CAP ELECT 47UF 25V 20% BP	066556	J33	CONN HEADER 14 PIN 0.2"	118008
C55	CAP ELECT 47UF 25V 20% BP	066556	J34	CONN 2 PIN MALE	117213
C58	CAP ELECT 4.7UF 50V	066512	J35	BLADE FASTON .187	117726
D1	DIODE SMALL SIGNAL 4148 SMD	070199	J36	BLADE FASTON .187	117726
D2	DIODE SCHOTTKY 40V 2A SMD	070210	J37	BLADE FASTON .187	117726
D3	DIODE SCHOTTKY 40V 2A SMD	070210	J38	BLADE FASTON .187	117726
D4	DIODE SCHOTTKY 40V 2A SMD	070210	J39	BLADE FASTON .187	117726
D5	DIODE SCHOTTKY 40V 2A SMD	070210	J40	BLADE FASTON .187	117726
D6	DIODE SCHOTTKY 40V 2A SMD	070210	J41	BLADE FASTON .187	117726
D7	DIODE BRID RECT 1000V 6A	070180	J42	BLADE FASTON .187	117726
D8	DIODE RECTIFIER 1N4007	070178	J43	BLADE FASTON .187	117726
D9	DIODE RECTIFIER 400V 1A SMD	070208	J44	BLADE FASTON .187	117726
D10	DIODE RECTIFIER 400V 1A SMD	070208	J45	BLADE FASTON .187	117726
D11	DIODE RECTIFIER 400V 1A SMD	070208	J46	BLADE FASTON .187	117726
D12	DIODE RECTIFIER 400V 1A SMD	070208	J47	BLADE FASTON .187	117726
D13	DIODE SCHOTTKY 40V 2A SMD	070210	J48	BLADE FASTON .187	117726
D14	DIODE RECTIFIER 1N4007	070178	K1	RELAY POWER TV8 12V	087087
D15	DIODE RECTIFIER 1N4007	070178	L1	CHOKE 2.2 uH	122405
D16	DIODE RECTIFIER	070175	L2	CHOKE 2.2 uH	122405
D17	DIODE RECTIFIER 1N4007	070178	L3	CHOKE 2.2 uH	122405
D18	DIODE RECTIFIER	070175	L4	CHOKE 2.2 uH	122405
D19	DIODE SMALL SIGNAL 4148 SMD	070199	MP1	STANDOFF PCB 5/16" NYLON	412160
D20	DIODE SMALL SIGNAL 4148 SMD	070199	PCB1	PC BD MAIN	130138
D21	DIODE SMALL SIGNAL 4148 SMD	070199	Q1	TRANSISTOR NPN 60V MMBTA05LT1G SMD	132333
D22	DIODE SMALL SIGNAL 4148 SMD	070199	Q2	TRANSISTOR PNP 60V MMBTA55LT1G SMD	132334
D23	DIODE SMALL SIGNAL 4148 SMD	070199	Q3	TRANSISTOR NPN 60V MMBTA05LT1G SMD	132333
D24	DIODE SMALL SIGNAL 4148 SMD	070199	Q4	TRANSISTOR NPN 60V MMBTA05LT1G SMD	132333
DS1	LED RGB SMD	058199	Q5	TRANSISTOR NPN 60V MMBTA05LT1G SMD	132333
J1	10 PIN SHROUDED HEADER 2MM	117973	Q6	TRANSISTOR NPN 60V MMBTA05LT1G SMD	132333
J2	10 PIN SHROUDED HEADER 2MM	117973	Q7	TRANSISTOR NPN 60V MMBTA05LT1G SMD	132333
J3	BLADE FASTON .250	117708	Q8	TRANSISTOR NPN W/R1R2 10K/10K	132346
J4	BLADE FASTON .250	117708	Q9	TRANSISTOR PCH MMBFJ176 SMD	132355
J5	CONN 2 PIN MALE	117213	Q10	TRANSISTOR NPN W/R1R2 10K/10K	132346
J6	BLADE FASTON .250	117708	Q11	TRANSISTOR NPN W/R1R2 10K/10K	132346
J7	BLADE FASTON .250	117708	Q12	TRANSISTOR NPN W/R1R2 10K/10K	132346
J8	BLADE FASTON .250	117708	Q13	TRANSISTOR NPN W/R1R2 10K/10K	132346
J9	BLADE FASTON .250	117708	Q14	TRANSISTOR NPN W/R1R2 10K/10K	132346
J10	BLADE FASTON .250	117708	Q15	TRANSISTOR NPN W/R1R2 10K/10K	132346
J11	BLADE FASTON .250	117708	Q16	TRANSISTOR NPN 60V MMBTA05LT1G SMD	132333
J12	BLADE FASTON .250	117708	Q17	TRANSISTOR NPN 60V MMBTA05LT1G SMD	132333
J13	BLADE FASTON .250	117708	Q18	TRANSISTOR NPN 60V MMBTA05LT1G SMD	132333
J14	BLADE FASTON .250	117708	Q19	TRANSISTOR NPN 60V MMBTA05LT1G SMD	132333

## PARTS LIST (Cont'd.)

## ⑦ MAIN PCB 751376 (Cont'd.)

Ref. No.	Description	Part No.	Ref. No.	Description	Part No.
R1	FUSE 0.35A 16V RESET 1206 SMD	145054	R60	RES MO 30K 5% 2W	144602
R2	POLYSWITCH 8A 30V	144750	R61	RES MO 30K 5% 2W	144602
R3	POLYSWITCH 3.00A 72V	144722	R62	RES MO 30K 5% 2W	144602
R4	RES MO 430 OHM .5W 5%	137101	R63	RES MO 30K 5% 2W	144602
R5	RES FUSING 10HM 2W 5%	139277	R64	RES MO 100K 2W 5%	144698
R6	RES FUSING 10HM 2W 5%	139277	R65	RES MO 100K 2W 5%	144698
R7	RES MO 430 OHM .5W 5%	137101	R66	RES MO 100K 2W 5%	144698
R8	RES MO 2.2K 5% 2W	144666	R67	RES MO 100K 2W 5%	144698
R9	RES SMD0805 4.75K 1/8W 1%	145008	R68	RES WW 220 OHM 5% 5W	139275
R10	RES MO 100K 2W 5%	144698	R69	RES WW 220 OHM 5% 5W	139275
R11	RES MO 100K 2W 5%	144698	R70	RES WW 220 OHM 5% 5W	139275
R12	RES MF 267K 1% 1/4W	144532	R71	RES WW 220 OHM 5% 5W	139275
R13	RES MF 47.5K 1% 1/4W	144526	R72	RES MF 221K 1% 1/4W	144629
R14	RES MF 100K 1% 1/4W	144528	R73	RES MF 221K 1% 1/4W	144629
R15	RES MF 681 OHM 1% 1/4W	144567	R74	RES SMD0805 100K 1/8W 1%	145014
R16	RES SMD0805 10K 1/8W 1%	145010	R75	RES MF 475K 1% 1/4W	144604
R17	RES SMD0805 4.75K 1/8W 1%	145008	R76	RES MF 475K 1% 1/4W	144604
R18	RES SMD0805 10K 1/8W 1%	145010	R77	RES SMD0805 100K 1/8W 1%	145014
R19	POT TRIM 100K OHM 20%	134504	R78	RES WW 2 OHM 10% 5W	139253
R20	RES SMD0805 2.21K 1/8W 1%	145024	R79	RES WW 2 OHM 10% 5W	139253
R21	RES MO 46.4K 1% 1W	144637	R80	RES MF 22.1K 1% 1/4W	144564
R22	RES MO 30K 5% 2W	144602	R81	RES MF 22.1K 1% 1/4W	144564
R23	RES SMD0805 4.75K 1/8W 1%	145008	R84	RES SMD0805 4.75K 1/8W 1%	145008
R24	RES SMD0805 4.75K 1/8W 1%	145008	RT1	THERMISTOR 16 OHM	144282
R25	RES SMD0805 4.75K 1/8W 1%	145008	RT2	THERMISTOR 16 OHM	144282
R26	RES SMD0805 4.75K 1/8W 1%	145008	T1	TRANSFORMER BACKUP	159376
R27	RES SMD0805 10K 1/8W 1%	145010	U1	IC REGULATOR 5V 500mA SMD	133737
R28	RES SMD0805 10K 1/8W 1%	145010	U2	IC OPTOCOUPLER,PHOTOTRANSISTOR	131031
R29	RES SMD0805 2.21K 1/8W 1%	145024	U3	IC SINGLE NAND SCHMITT SMD	133724
R30	RES SMD0805 47.5K 1/8W 1%	145013	U4	IC SINGLE NAND SCHMITT SMD	133724
R31	RES SMD0805 2.21K 1/8W 1%	145024	U5	IC SINGLE NAND SCHMITT SMD	133724
R32	RES SMD0805 47.5 1/8W 1%	145004	U6	IC SINGLE NAND SCHMITT SMD	133724
R33	RES SMD0805 47.5 1/8W 1%	145004	U7	IC SINGLE NAND SCHMITT SMD	133724
R34	RES SMD0805 4.75K 1/8W 1%	145008	U8	IC LATCH R-S QUAD NOR SMD	133795
R35	RES SMD0805 2.21M 1/8W 1%	145043	U9	IC SINGLE 2 INPUT OR GATE SMD	133700
R36	RES SMD0805 2.21M 1/8W 1%	145043	U10	IC TIMER/OSC LM555 SMD	133793
R37	RES SMD0805 221K 1/8W 1%	145038	U11	IC SINGLE 2 INPUT OR GATE SMD	133700
R38	RES SMD0805 2.21M 1/8W 1%	145043	U12	IC SINGLE NAND SCHMITT SMD	133724
R39	RES SMD0805 10K 1/8W 1%	145010	U13	IC SINGLE 2 INPUT OR GATE SMD	133700
R40	RES SMD0805 2.21K 1/8W 1%	145024	U14	IC SINGLE 2-INPUT NOR GATE SMD	133500
R41	RES SMD0805 100K 1/8W 1%	145014	U15	IC SINGLE 2 INPUT OR GATE SMD	133700
R42	RES SMD0805 100K 1/8W 1%	145014	U16	IC DECADE COUNTER SMD	133794
R43	RES SMD0805 221K 1/8W 1%	145038	U17	IC SINGLE NAND SCHMITT SMD	133724
R44	RES SMD0805 22.1K 1/8W 1%	145012	U18	IC PROGRAMMABLE TIMER SMD	133813
R45	RES SMD0805 2.21M 1/8W 1%	145043	U19	IC SINGLE NAND SCHMITT SMD	133724
R46	RES SMD0805 100K 1/8W 1%	145014	U20	IC SINGLE 2 INPUT OR GATE SMD	133700
R47	RES SMD0805 2.21M 1/8W 1%	145043	U21	IC SINGLE NAND SCHMITT SMD	133724
R48	RES SMD0805 22.1K 1/8W 1%	145012	U22	IC SINGLE NAND SCHMITT SMD	133724
R49	RES SMD0805 22.1K 1/8W 1%	145012	U23	IC SINGLE 2 INPUT OR GATE SMD	133700
R50	RES SMD0805 68.1K 1/8W 1%	145035	U24	IC LATCH R-S QUAD NOR SMD	133795
R51	RES SMD0805 4.75K 1/8W 1%	145008	U25	IC LATCH R-S QUAD NOR SMD	133795
R52	RES SMD0805 47.5K 1/8W 1%	145013	U26	IC SINGLE 2-INPUT NOR GATE SMD	133500
R53	RES SMD0805 2.21M 1/8W 1%	145043	U27	IC SINGLE NAND SCHMITT SMD	133724
R54	RES SMD0805 2.21M 1/8W 1%	145043	U28	IC SINGLE 2-INPUT AND GATE SMD	133502
R55	RES SMD0805 332K 1/8W 1%	145039	U29	IC SINGLE NAND SCHMITT SMD	133724
R56	RES SMD0805 47.5K 1/8W 1%	145013	U30	IC SINGLE NAND SCHMITT SMD	133724
R57	RES SMD0805 22.1K 1/8W 1%	145012	U31	IC SINGLE NAND SCHMITT SMD	133724
R58	RES SMD0805 47.5 1/8W 1%	145004	V8	SOCKET OCTAL TUBE CERAMIC	178196
R59	RES SMD0805 47.5 1/8W 1%	145004	V9	SOCKET OCTAL TUBE CERAMIC	178196

# PARTS LIST (Cont'd.)

## 8 MAIN PCB 751376 (Cont'd.)

Ref. No.	Description	Part No.
V10	SOCKET OCTAL TUBE CERAMIC	178196
V11	SOCKET OCTAL TUBE CERAMIC	178196

## 3 AMPLIFIER PCB 751262

C1	CAP ELECT 10UF 250V	066558
C2	CAP ELECT 100UF 25V	066573
C3	CAP ELECT 100UF 25V	066573
C4	CAP POLYPROP 1uF 250V 20%	064433
C5	CAP ELECT 220UF 25V	066507
C6	CAP POLYPROP 1uF 250V 20%	064433
C7	CAP 100PF 50V SMD0805	061316
C8	CAP 100PF 50V SMD0805	061316
C9	CAP MONO .1UF 50V 20% SMD0805	061365
C14	CAP 100PF 50V SMD0805	061316
C15	CAP 100PF 50V SMD0805	061316
C16	CAP MPF 0.1UF 5% 63VDC	064325
C17	CAP MPF 0.1UF 5% 63VDC	064325
C18	CAP ELECT 100UF 25V	066573
C19	CAP ELECT 100UF 25V	066573
C20	CAP ELECT 100UF 25V	066573
C21	CAP ELECT 100UF 25V	066573
C22	CAP POLYPROP 0.047UF 10% 275VDC	064466
C23	CAP POLYPROP 0.047UF 10% 275VDC	064466
C24	CAP POLYPROP 0.047UF 10% 275VDC	064466
C25	CAP POLYPROP 0.047UF 10% 275VDC	064466
C26	CAP ELECT 1000UF 16V NP	066500
C27	CAP ELECT 1000UF 16V NP	066500
C28	CAP POLY .047UF 10% 1000VDC	064434
C29	CAP POLY .047UF 10% 1000VDC	064434
C30	CAP POLY .047UF 10% 1000VDC	064434
C31	CAP POLY .047UF 10% 1000VDC	064434
C32	CAP POLYPROP 1uF 250V 20%	064433
C33	CAP POLYPROP 1uF 250V 20%	064433
C34	CAP POLYPROP 1uF 250V 20%	064433
C35	CAP POLYPROP 1uF 250V 20%	064433
C36	CAP MPF 0.47UF 5% 63/100VDC	064442
C37	CAP MPF 0.47UF 5% 63/100VDC	064442
C38	CAP ELECT 4.7UF 50V	066512
C39	CAP ELECT 4.7UF 50V	066512
C40	CAP ELECT 4.7UF 50V	066512
C41	CAP ELECT 4.7UF 50V	066512
D1	DIODE ZENER 200V 1.5W	070177
D2	DIODE SMALL SIGNAL 4148 SMD	070199
D3	DIODE SMALL SIGNAL 4148 SMD	070199
D4	DIODE ZENER 200V 1.5W	070177
D5	DIODE ZENER 200V 1.5W	070177
D6	DIODE ZENER 200V 1.5W	070177
D7	DIODE ZENER 200V 1.5W	070177
D8	DIODE ZENER 200V 1.5W	070177
D9	DIODE ZENER 200V 1.5W	070177
D10	DIODE ZENER 200V 1.5W	070177
D11	DIODE ZENER 200V 1.5W	070177
D12	DIODE SMALL SIGNAL 4148 SMD	070199
D13	DIODE SMALL SIGNAL 4148 SMD	070199
D14	DIODE SMALL SIGNAL 4148 SMD	070199
D15	DIODE SMALL SIGNAL 4148 SMD	070199
D16	DIODE SMALL SIGNAL 4148 SMD	070199
D17	DIODE SMALL SIGNAL 4148 SMD	070199
D18	DIODE SMALL SIGNAL 4148 SMD	070199

Ref. No.	Description	Part No.
D19	DIODE SMALL SIGNAL 4148 SMD	070199
D20	DIODE SMALL SIGNAL 4148 SMD	070199
D21	DIODE SMALL SIGNAL 4148 SMD	070199
D22	DIODE SMALL SIGNAL 4148 SMD	070199
D23	DIODE SMALL SIGNAL 4148 SMD	070199
D24	DIODE SMALL SIGNAL 4148 SMD	070199
D25	DIODE SMALL SIGNAL 4148 SMD	070199
D26	DIODE SMALL SIGNAL 4148 SMD	070199
D27	DIODE SMALL SIGNAL 4148 SMD	070199
D28	DIODE SMALL SIGNAL 4148 SMD	070199
D29	DIODE SMALL SIGNAL 4148 SMD	070199
D30	DIODE SMALL SIGNAL 4148 SMD	070199
D31	DIODE SMALL SIGNAL 4148 SMD	070199
D32	DIODE SMALL SIGNAL 4148 SMD	070199
D33	DIODE SMALL SIGNAL 4148 SMD	070199
D34	DIODE SMALL SIGNAL 4148 SMD	070199
D35	DIODE SMALL SIGNAL 4148 SMD	070199
D36	DIODE SMALL SIGNAL 4148 SMD	070199
D37	DIODE SMALL SIGNAL 4148 SMD	070199
D38	DIODE SMALL SIGNAL 4148 SMD	070199
DS1	LED RGB SMD	058199
DS2	LED RGB SMD	058199
DS3	LED RGB SMD	058199
DS4	LED RGB SMD	058199
DS5	LED RGB SMD	058199
DS6	LED RGB SMD	058199
DS7	LED RGB SMD	058199
J1	7PIN SHROUDED HEADER	117910
J2	HEADER 2 PIN LATCHING	117766
J3	HEADER 2 PIN LATCHING	117766
J4	CONN 12 PIN FFC SMD	118001
J5	CONN ELEVATED SOCKET 27 PIN	118009
J6	CONN ELEVATED SOCKET 27 PIN	118009
J7	CONN FFC 18PIN	117908
J8	JACK HEADPHONE DUAL BLACK 1/8	117825
J9	JACK PHONO GOLD	118020
J10	XLR FEMALE VERTICAL WITH LATCH	117813
J11	XLR FEMALE VERTICAL WITH LATCH	117813
J12	CONN 4-PIN RIGHT ANGLE	117927
J13	CONN 12 PIN FFC SMD	118001
J14	7PIN SHROUDED HEADER	117910
K1	RELAY DPDT SIGNAL 12V SMD	087084
K2	RELAY DPDT SIGNAL 12V SMD	087084
MP1	STANDOFF PCB 5/16" NYLON	412160
MP2	STANDOFF PCB 5/16" NYLON	412160
MP3	STANDOFF PCB 5/16" NYLON	412160
MP4	STANDOFF PCB 5/16" NYLON	412160
MP6	RETAINER LITEPIPE LED	078045
MP7	LITEPIPE LED 0.8L X 0.1 DIA	163113
MP8	RETAINER LITEPIPE LED	078045
MP9	LITEPIPE LED 0.8L X 0.1 DIA	163113
MP10	RETAINER LITEPIPE LED	078045
MP11	LITEPIPE LED 0.8L X 0.1 DIA	163113
MP12	RETAINER LITEPIPE LED	078045
MP13	LITEPIPE LED 0.8L X 0.1 DIA	163113
MP14	RETAINER LITEPIPE LED	078045
MP15	LITEPIPE LED 0.8L X 0.1 DIA	163113
MP16	RETAINER LITEPIPE LED	078045
MP17	LITEPIPE LED 0.8L X 0.1 DIA	163113

# PARTS LIST (Cont'd.)

## ③ AMPLIFIER PCB 751262 (Cont'd.)

Ref. No.	Description	Part No.	Ref. No.	Description	Part No.
MP18	RETAINER LITEPIPE LED	078045	R58	RES MF 150K 1% 1/4W	144627
MP19	LITEPIPE LED 0.8L X 0.1 DIA	163113	R59	RES SMD0805 22.1K 1/8W 1%	145012
PCB1	AMPLIFIER PC BD	130100	R60	RES SMD0805 22.1K 1/8W 1%	145012
Q3 Q4	TRANSISTOR NPN 2SD2704K SMD	132350	R61	RES MO 30K 5% 2W	144602
Q1 Q2	TRANSISTOR PNP 300V BF421	132352	R62	RES MO 30K 5% 2W	144602
R1	RES SMD0805 2.21K 1/8W 1%	145024	R63	RES MO 30K 5% 2W	144602
R3	RES MO 46.4K 1% 1W	144637	R64	RES MO 30K 5% 2W	144602
R4	RES MF 100K 1% 1/4W	144528	R65	RES MO 100K 2W 5%	144698
R5	RES MF 100K 1% 1/4W	144528	R66	RES MO 100K 2W 5%	144698
R6	RES MF 221K 1% 1/4W	144629	R67	RES MO 100K 2W 5%	144698
R7	RES SMD0805 3.32K 1/8W 1%	145026	R68	RES MO 100K 2W 5%	144698
R8	RES SMD0805 2.21K 1/8W 1%	145024	R69	RES MF 15K 1% 1/4W	144623
R9	RES MF 221K 1% 1/4W	144629	R70	RES MF 15K 1% 1/4W	144623
R10	RES MF 100K 1% 1/4W	144528	R71	RES MF 15K 1% 1/4W	144623
R11	RES MF 10K 1% 1/4W	144504	R72	RES MF 15K 1% 1/4W	144623
R12	RES MF 221K 1% 1/4W	144629	R73	RES MF 1M 1/4W	144577
R13	RES SMD0805 3.32K 1/8W 1%	145026	R74	RES MF 1M 1/4W	144577
R14	RES SMD0805 2.21K 1/8W 1%	145024	R75	RES MF 1M 1/4W	144577
R15	RES FP 100 OHM 5% 1/4W	137107	R76	RES MF 1M 1/4W	144577
R16	RES MF 221K 1% 1/4W	144629	R77	RES SMD0805 475 1/8W 1%	145020
R17	RES MF 100K 1% 1/4W	144528	R78	RES SMD0805 3.32K 1/8W 1%	145026
R18	RES SMD0805 10K 1/8W 1%	145010	R79	RES SMD0805 681 1/8W 1%	145002
R19	RES SMD0805 10K 1/8W 1%	145010	R80	RES SMD0805 475 1/8W 1%	145020
R20	RES MF 22.1K 1% 1/4W	144564	R81	RES SMD0805 3.32K 1/8W 1%	145026
R21	RES MF 22.1K 1% 1/4W	144564	R82	RES SMD0805 681 1/8W 1%	145002
R22	RES MF 10K 1% 1/4W	144504	R83	RES SMD0805 475 1/8W 1%	145020
R23	RES MF 22.1K 1% 1/4W	144564	R84	RES SMD0805 3.32K 1/8W 1%	145026
R24	RES MF 22.1K 1% 1/4W	144564	R85	RES SMD0805 681 1/8W 1%	145002
R25	RES SMD0805 1K 1/8W 1%	145007	R86	RES SMD0805 475 1/8W 1%	145020
R26	RES SMD0805 1K 1/8W 1%	145007	R87	RES SMD0805 3.32K 1/8W 1%	145026
R27	RES SMD0805 3.32K 1/8W 1%	145026	R88	RES SMD0805 681 1/8W 1%	145002
R28	RES SMD0805 3.32K 1/8W 1%	145026	R89	RES SMD0805 475 1/8W 1%	145020
R29	RES MF 10K 1% 1/4W	144504	R90	RES SMD0805 3.32K 1/8W 1%	145026
R31	RES MF 10K 1% 1/4W	144504	R91	RES SMD0805 681 1/8W 1%	145002
R33	RES MF 100K 1% 1/4W	144528	R92	RES SMD0805 475 1/8W 1%	145020
R34	RES MF 100K 1% 1/4W	144528	R93	RES SMD0805 3.32K 1/8W 1%	145026
R35	RES MF 100K 1% 1/4W	144528	R94	RES SMD0805 681 1/8W 1%	145002
R36	RES MF 100K 1% 1/4W	144528	R95	RES SMD0805 475 1/8W 1%	145020
R37	RES MF 100K 1% 1/4W	144528	R96	RES SMD0805 3.32K 1/8W 1%	145026
R38	RES MF 100K 1% 1/4W	144528	R97	RES SMD0805 681 1/8W 1%	145002
R39	RES MF 475 OHM 1% 1/4W	144509	R98	RES SMD0805 100K 1/8W 1%	145014
R40	RES MF 10K 1% 1/4W	144504	R99	RES SMD0805 150K 1/8W 1%	145037
R41	RES MF 475 OHM 1% 1/4W	144509	R100	RES SMD0805 100K 1/8W 1%	145014
R42	RES MF 10K 1% 1/4W	144504	R101	RES SMD0805 1M 1/8W 1%	145042
R43	RES MF 100K 1% 1/4W	144528	R102	RES SMD0805 1M 1/8W 1%	145042
R44	RES MF 100K 1% 1/4W	144528	R103	RES SMD0805 150K 1/8W 1%	145037
R45	RES MF 2.21M 1/4W	144576	R104	RES SMD0805 1M 1/8W 1%	145042
R46	RES MF 2.21M 1/4W	144576	R105	RES SMD0805 1M 1/8W 1%	145042
R47	RES MF 1M 1/4W	144577	R106	RES SMD0805 150K 1/8W 1%	145037
R48	RES MF 1M 1/4W	144577	R107	RES SMD0805 150K 1/8W 1%	145037
R49	RES MF 1M 1/4W	144577	R108	RES SMD0805 33.2K 1/8W 1%	145033
R50	RES MF 1M 1/4W	144577	R109	RES SMD0805 33.2K 1/8W 1%	145033
R51	RES MF 47.5K 1% 1/4W	144526	V1	SOCKET TUBE 9 PIN GOLD	178195
R52	RES MF 47.5K 1% 1/4W	144526	V2	SOCKET TUBE 9 PIN GOLD	178195
R53	RES MF 150K 1% 1/4W	144627	V3	SOCKET TUBE 9 PIN GOLD	178195
R54	RES MF 150K 1% 1/4W	144627	V4	SOCKET TUBE 9 PIN GOLD	178195
R55	RES MF 150K 1% 1/4W	144627	V5	SOCKET TUBE 9 PIN GOLD	178195
R56	RES MF 150K 1% 1/4W	144627	V6	SOCKET TUBE 9 PIN GOLD	178195
R57	RES MF 150K 1% 1/4W	144627	V7	SOCKET TUBE 9 PIN GOLD	178195

# PARTS LIST (Cont'd.)

## ③ AMPLIFIER PCB 751377

Ref. No.	Description	Part No.	Ref. No.	Description	Part No.
C1	CAP ELECT 10UF 250V	066558	D23	DIODE SMALL SIGNAL 4148 SMD	070199
C2	CAP ELECT 100UF 25V	066573	D24	DIODE SMALL SIGNAL 4148 SMD	070199
C3	CAP ELECT 100UF 25V	066573	D25	DIODE SMALL SIGNAL 4148 SMD	070199
C4	CAP POLYPROP 1uF 250V 20%	064433	D26	DIODE SMALL SIGNAL 4148 SMD	070199
C5	CAP ELECT 220UF 25V	066507	D27	DIODE SMALL SIGNAL 4148 SMD	070199
C6	CAP POLYPROP 1uF 250V 20%	064433	D28	DIODE SMALL SIGNAL 4148 SMD	070199
C7	CAP 100PF 50V SMD0805	061316	D29	DIODE SMALL SIGNAL 4148 SMD	070199
C8	CAP 100PF 50V SMD0805	061316	D30	DIODE SMALL SIGNAL 4148 SMD	070199
C9	CAP MONO .1UF 50V 20% SMD0805	061365	D31	DIODE SMALL SIGNAL 4148 SMD	070199
C14	CAP 100PF 50V SMD0805	061316	D32	DIODE SMALL SIGNAL 4148 SMD	070199
C15	CAP 100PF 50V SMD0805	061316	D33	DIODE SMALL SIGNAL 4148 SMD	070199
C16	CAP MPF 0.1UF 5% 63VDC	064325	D34	DIODE SMALL SIGNAL 4148 SMD	070199
C17	CAP MPF 0.1UF 5% 63VDC	064325	D35	DIODE SMALL SIGNAL 4148 SMD	070199
C18	CAP ELECT 100UF 25V	066573	D36	DIODE SMALL SIGNAL 4148 SMD	070199
C19	CAP ELECT 100UF 25V	066573	D37	DIODE SMALL SIGNAL 4148 SMD	070199
C20	CAP ELECT 100UF 25V	066573	D38	DIODE SMALL SIGNAL 4148 SMD	070199
C21	CAP ELECT 100UF 25V	066573	DS1	LED RGB SMD	058199
C22	CAP POLYPROP 0.047UF 10% 275VDC	064466	DS2	LED RGB SMD	058199
C23	CAP POLYPROP 0.047UF 10% 275VDC	064466	DS3	LED RGB SMD	058199
C24	CAP POLYPROP 0.047UF 10% 275VDC	064466	DS4	LED RGB SMD	058199
C25	CAP POLYPROP 0.047UF 10% 275VDC	064466	DS5	LED RGB SMD	058199
C26	CAP ELECT 1000UF 16V NP	066500	DS6	LED RGB SMD	058199
C27	CAP ELECT 1000UF 16V NP	066500	DS7	LED RGB SMD	058199
C28	CAP POLY .047UF 10% 1000VDC	064434	J1	7 PIN SHROUDED HEADER	117910
C29	CAP POLY .047UF 10% 1000VDC	064434	J2	HEADER 2 PIN LATCHING	117766
C30	CAP POLY .047UF 10% 1000VDC	064434	J3	HEADER 2 PIN LATCHING	117766
C31	CAP POLY .047UF 10% 1000VDC	064434	J4	CONN 12 PIN FFC SMD	118001
C32	CAP POLYPROP 1uF 250V 20%	064433	J5	CONN ELEVATED SOCKET 27 PIN	118009
C33	CAP POLYPROP 1uF 250V 20%	064433	J6	CONN ELEVATED SOCKET 27 PIN	118009
C34	CAP POLYPROP 1uF 250V 20%	064433	J7	CONN FFC 18PIN	117908
C35	CAP POLYPROP 1uF 250V 20%	064433	J8	JACK HEADPHONE DUAL BLACK 1/8	117825
C36	CAP MPF 0.47UF 5% 63/100VDC	064442	J9	JACK PHONO GOLD	118020
C37	CAP MPF 0.47UF 5% 63/100VDC	064442	J10	XLR FEMALE VERTICAL WITH LATCH	117813
C38	CAP ELECT 4.7UF 50V	066512	J11	XLR FEMALE VERTICAL WITH LATCH	117813
C39	CAP ELECT 4.7UF 50V	066512	J12	CONN 4-PIN RIGHT ANGLE	117927
C40	CAP ELECT 4.7UF 50V	066512	J13	CONN 12 PIN FFC SMD	118001
C41	CAP ELECT 4.7UF 50V	066512	J14	7 PIN SHROUDED HEADER	117910
D1	DIODE ZENER 200V 1.5W	070177	K1	RELAY DPDT SIGNAL 12V SMD	087084
D2	DIODE SMALL SIGNAL 4148 SMD	070199	K2	RELAY DPDT SIGNAL 12V SMD	087084
D3	DIODE SMALL SIGNAL 4148 SMD	070199	MP1	STANDOFF PCB 5/16" NYLON	412160
D4	DIODE ZENER 200V 1.5W	070177	MP2	STANDOFF PCB 5/16" NYLON	412160
D5	DIODE ZENER 200V 1.5W	070177	MP3	STANDOFF PCB 5/16" NYLON	412160
D6	DIODE ZENER 200V 1.5W	070177	MP4	STANDOFF PCB 5/16" NYLON	412160
D7	DIODE ZENER 200V 1.5W	070177	MP5	STANDOFF PCB 5/16" NYLON	412160
D8	DIODE ZENER 200V 1.5W	070177	MP6	RETAINER LITEPIPE LED	078045
D9	DIODE ZENER 200V 1.5W	070177	MP7	LITEPIPE LED 0.8L X 0.1 DIA	163113
D10	DIODE ZENER 200V 1.5W	070177	MP8	RETAINER LITEPIPE LED	078045
D11	DIODE ZENER 200V 1.5W	070177	MP9	LITEPIPE LED 0.8L X 0.1 DIA	163113
D12	DIODE SMALL SIGNAL 4148 SMD	070199	MP10	RETAINER LITEPIPE LED	078045
D13	DIODE SMALL SIGNAL 4148 SMD	070199	MP11	LITEPIPE LED 0.8L X 0.1 DIA	163113
D14	DIODE SMALL SIGNAL 4148 SMD	070199	MP12	RETAINER LITEPIPE LED	078045
D15	DIODE SMALL SIGNAL 4148 SMD	070199	MP13	LITEPIPE LED 0.8L X 0.1 DIA	163113
D16	DIODE SMALL SIGNAL 4148 SMD	070199	MP14	RETAINER LITEPIPE LED	078045
D17	DIODE SMALL SIGNAL 4148 SMD	070199	MP15	LITEPIPE LED 0.8L X 0.1 DIA	163113
D18	DIODE SMALL SIGNAL 4148 SMD	070199	MP16	RETAINER LITEPIPE LED	078045
D19	DIODE SMALL SIGNAL 4148 SMD	070199	MP17	LITEPIPE LED 0.8L X 0.1 DIA	163113
D20	DIODE SMALL SIGNAL 4148 SMD	070199	MP18	RETAINER LITEPIPE LED	078045
D21	DIODE SMALL SIGNAL 4148 SMD	070199	MP19	LITEPIPE LED 0.8L X 0.1 DIA	163113
D22	DIODE SMALL SIGNAL 4148 SMD	070199	PCB1	PC BD AMPLIFIER	130142

## PARTS LIST (Cont'd.)

## ③ AMPLIFIER PCB 751377 (Cont'd.)

Ref. No.	Description	Part No.	Ref. No.	Description	Part No.
Q1	TRANSISTOR PNP 300V BF421	132352	R59	RES SMD0805 22.1K 1/8W 1%	145012
Q2	TRANSISTOR PNP 300V BF421	132352	R60	RES SMD0805 22.1K 1/8W 1%	145012
Q3	TRANSISTOR NCH MMBFJ108 SMD	132354	R61	RES MO 30K 5% 2W	144602
Q4	TRANSISTOR NCH MMBFJ108 SMD	132354	R62	RES MO 30K 5% 2W	144602
R1	RES SMD0805 2.21K 1/8W 1%	145024	R63	RES MO 30K 5% 2W	144602
R3	RES MO 46.4K 1% 1W	144637	R64	RES MO 30K 5% 2W	144602
R4	RES MF 100K 1% 1/4W	144528	R65	RES MO 100K 2W 5%	144698
R5	RES MF 100K 1% 1/4W	144528	R66	RES MO 100K 2W 5%	144698
R6	RES MF 221K 1% 1/4W	144629	R67	RES MO 100K 2W 5%	144698
R7	RES SMD0805 3.32K 1/8W 1%	145026	R68	RES MO 100K 2W 5%	144698
R8	RES SMD0805 2.21K 1/8W 1%	145024	R69	RES MF 15K 1% 1/4W	144623
R9	RES MF 221K 1% 1/4W	144629	R70	RES MF 15K 1% 1/4W	144623
R10	RES MF 100K 1% 1/4W	144528	R71	RES MF 15K 1% 1/4W	144623
R11	RES MF 10K 1% 1/4W	144504	R72	RES MF 15K 1% 1/4W	144623
R12	RES MF 221K 1% 1/4W	144629	R73	RES MF 1M 1/4W	144577
R13	RES SMD0805 3.32K 1/8W 1%	145026	R74	RES MF 1M 1/4W	144577
R14	RES SMD0805 2.21K 1/8W 1%	145024	R75	RES MF 1M 1/4W	144577
R15	RES FP 100 OHM 5% 1/4W	137107	R76	RES MF 1M 1/4W	144577
R16	RES MF 221K 1% 1/4W	144629	R77	RES SMD0805 475 1/8W 1%	145020
R17	RES MF 100K 1% 1/4W	144528	R78	RES SMD0805 3.32K 1/8W 1%	145026
R18	RES SMD0805 10K 1/8W 1%	145010	R79	RES SMD0805 681 1/8W 1%	145002
R19	RES SMD0805 10K 1/8W 1%	145010	R80	RES SMD0805 475 1/8W 1%	145020
R20	RES MF 22.1K 1% 1/4W	144564	R81	RES SMD0805 3.32K 1/8W 1%	145026
R21	RES MF 22.1K 1% 1/4W	144564	R82	RES SMD0805 681 1/8W 1%	145002
R22	RES MF 10K 1% 1/4W	144504	R83	RES SMD0805 475 1/8W 1%	145020
R23	RES MF 22.1K 1% 1/4W	144564	R84	RES SMD0805 3.32K 1/8W 1%	145026
R24	RES MF 22.1K 1% 1/4W	144564	R85	RES SMD0805 681 1/8W 1%	145002
R25	RES SMD0805 1K 1/8W 1%	145007	R86	RES SMD0805 475 1/8W 1%	145020
R26	RES SMD0805 1K 1/8W 1%	145007	R87	RES SMD0805 3.32K 1/8W 1%	145026
R27	RES SMD0805 2.21M 1/8W 1%	145043	R88	RES SMD0805 681 1/8W 1%	145002
R28	RES SMD0805 2.21M 1/8W 1%	145043	R89	RES SMD0805 475 1/8W 1%	145020
R29	RES MF 10K 1% 1/4W	144504	R90	RES SMD0805 3.32K 1/8W 1%	145026
R31	RES MF 10K 1% 1/4W	144504	R91	RES SMD0805 681 1/8W 1%	145002
R33	RES MF 100K 1% 1/4W	144528	R92	RES SMD0805 475 1/8W 1%	145020
R34	RES MF 100K 1% 1/4W	144528	R93	RES SMD0805 3.32K 1/8W 1%	145026
R35	RES MF 100K 1% 1/4W	144528	R94	RES SMD0805 681 1/8W 1%	145002
R36	RES MF 100K 1% 1/4W	144528	R95	RES SMD0805 475 1/8W 1%	145020
R37	RES MF 100K 1% 1/4W	144528	R96	RES SMD0805 3.32K 1/8W 1%	145026
R38	RES MF 100K 1% 1/4W	144528	R97	RES SMD0805 681 1/8W 1%	145002
R39	RES MF 475 OHM 1% 1/4W	144509	R98	RES SMD0805 100K 1/8W 1%	145014
R40	RES MF 10K 1% 1/4W	144504	R99	RES SMD0805 150K 1/8W 1%	145037
R41	RES MF 475 OHM 1% 1/4W	144509	R100	RES SMD0805 100K 1/8W 1%	145014
R42	RES MF 10K 1% 1/4W	144504	R103	RES SMD0805 150K 1/8W 1%	145037
R43	RES MF 100K 1% 1/4W	144528	R106	RES SMD0805 150K 1/8W 1%	145037
R44	RES MF 100K 1% 1/4W	144528	R107	RES SMD0805 150K 1/8W 1%	145037
R45	RES MF 2.21M 1/4W	144576	R108	RES SMD0805 33.2K 1/8W 1%	145033
R46	RES MF 2.21M 1/4W	144576	R109	RES SMD0805 33.2K 1/8W 1%	145033
R47	RES MF 1M 1/4W	144577	R101	RES SMD0805 1M 1/8W 1%	145042
R48	RES MF 1M 1/4W	144577	R102	RES SMD0805 1M 1/8W 1%	145042
R49	RES MF 1M 1/4W	144577	R104	RES SMD0805 1M 1/8W 1%	145042
R50	RES MF 1M 1/4W	144577	R105	RES SMD0805 1M 1/8W 1%	145042
R51	RES MF 47.5K 1% 1/4W	144526	V1	SOCKET TUBE 9 PIN GOLD	178195
R52	RES MF 47.5K 1% 1/4W	144526	V2	SOCKET TUBE 9 PIN GOLD	178195
R53	RES MF 150K 1% 1/4W	144627	V3	SOCKET TUBE 9 PIN GOLD	178195
R54	RES MF 150K 1% 1/4W	144627	V4	SOCKET TUBE 9 PIN GOLD	178195
R55	RES MF 150K 1% 1/4W	144627	V5	SOCKET TUBE 9 PIN GOLD	178195
R56	RES MF 150K 1% 1/4W	144627	V6	SOCKET TUBE 9 PIN GOLD	178195
R57	RES MF 150K 1% 1/4W	144627	V7	SOCKET TUBE 9 PIN GOLD	178195
R58	RES MF 150K 1% 1/4W	144627			

# PARTS LIST (Cont'd.)

## ③ TERMINAL PCB 751379

### Ref. No. Description

C1	CAP POLYPROP 0.15UF 10% 275V
C2	CAP POLYPROP 0.15UF 10% 275V
J1	BLADE FASTON .187
J2	BLADE FASTON .187
J3	BLADE FASTON .187
J4	BLADE FASTON .187
J5	BLADE FASTON .187
J6	BLADE FASTON .187
J7	BLADE FASTON .187
J8	BLADE FASTON .187

## ④ TERMINAL PCB 751379

### Part No.

064464
064464
117726
117726
117726
117726
117726
117726
117726
117726

### Ref. No. Description

R1	RES WW 4 OHM 5% 5W
R2	RES WW 4 OHM 5% 5W
	PC BD TERMINAL

### Part No.

139248
139248
130144

## ⑤ BALANCE INPUT PCB 751262 / 751377

## ⑥ UNBALANCED INPUT 751262 / 751377

## ⑦ POWER CONTROL PCB 751262 / 751377

## ⑧ TUBE LIGHT PCB 751262 / 751377

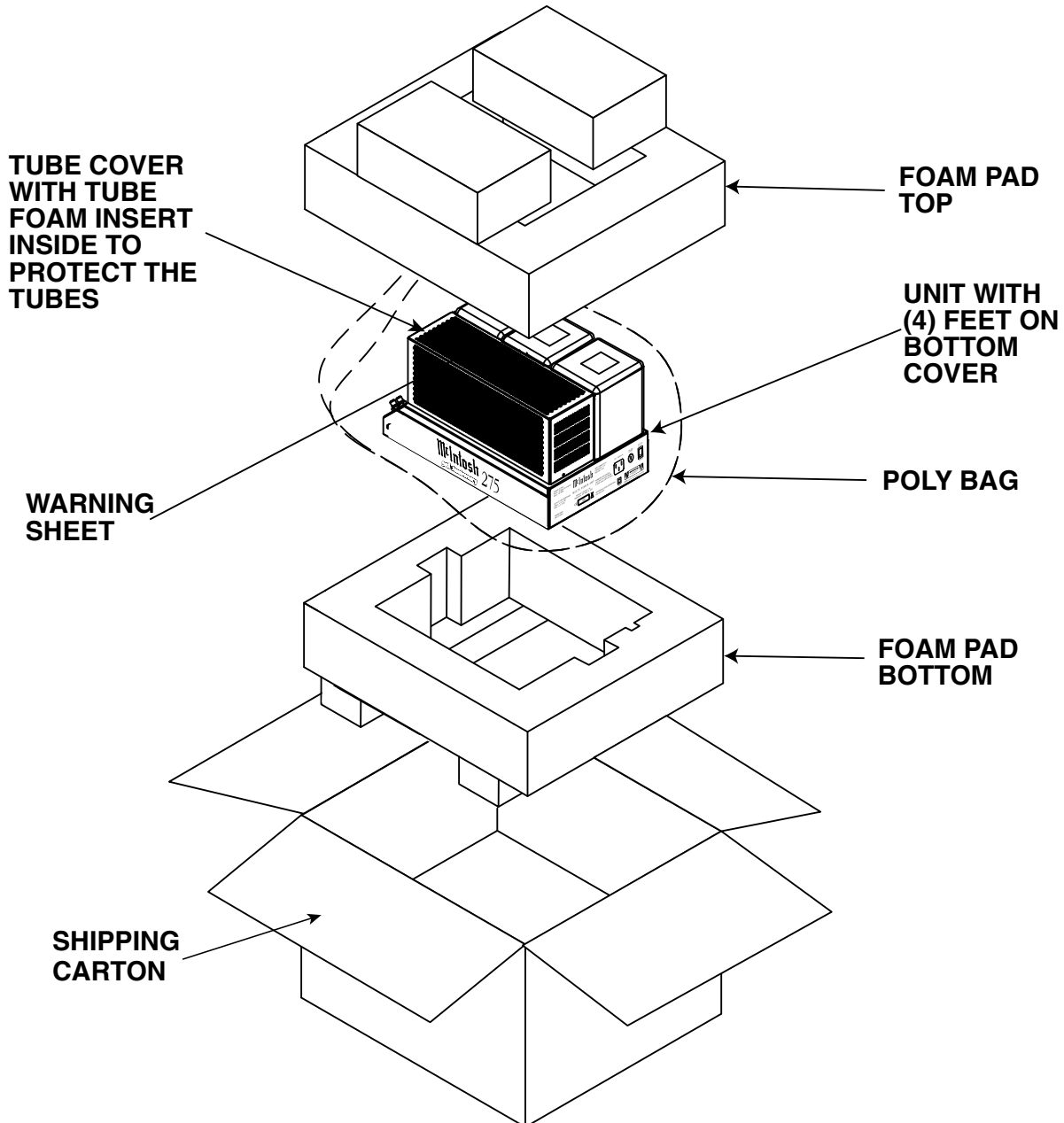
PARTS FOR 5, 6, 7 & 8 ARE LISTED UNDER ③ AMPLIFIER  
HEADING

# REPACKING INSTRUCTIONS

In the event it is necessary to repack the equipment for shipment, the equipment must be packed exactly as shown below. It is important that the four plastic feet are attached to the bottom of the equipment.

Use the original shipping carton and interior parts only if they are all in good serviceable condition. If a shipping carton or any of the interior part(s) are needed, please call or write Customer Service Department of McIntosh Laboratory. Refer to page 3. Please see the Part List for the correct part numbers.

<u>Quantity</u>	<u>Part Number</u>	<u>Description</u>
1	034529	Shipping carton
1	034526	Foam Pad Top
2	034527	Foam Pad Bottom
1	034528	Foam Insert (for protecting the Tubes during shipping)
1	041314	Warning Sheet
4	400131	10-32 x 1/2 inch screw
4	163073	Feet



# MC275LE

## POWER AMPLIFIER

ALL SERIAL NUMBERS



The continuous improvement of its products is the policy of McIntosh Laboratory Incorporated, who reserve the right to improve design without notice. Because of the constant upgrading of McIntosh products' circuitry and components, the Company cannot insure, and does not warrant, the accuracy of the within schematic material, which is intended for information only.