

MC 2255

Stereo Power Amplifier

Schematics

039401

McIntosh



The continuous improvement of its products is the policy of McIntosh Laboratory Incorporated, who reserve the right to improve design without notice. Because of the constant upgrading of McIntosh products' circuitry and components, the Company cannot insure, and does not warrant, the accuracy of the within schematic material, which is intended for information only.

McIntosh Laboratory Inc. 2 Chambers Street, Binghamton, NY 13903-9990

Printed in U.S.A.

Telephone (607)723-3512

Part.No. 039401

INSTALLATION HARDWARE

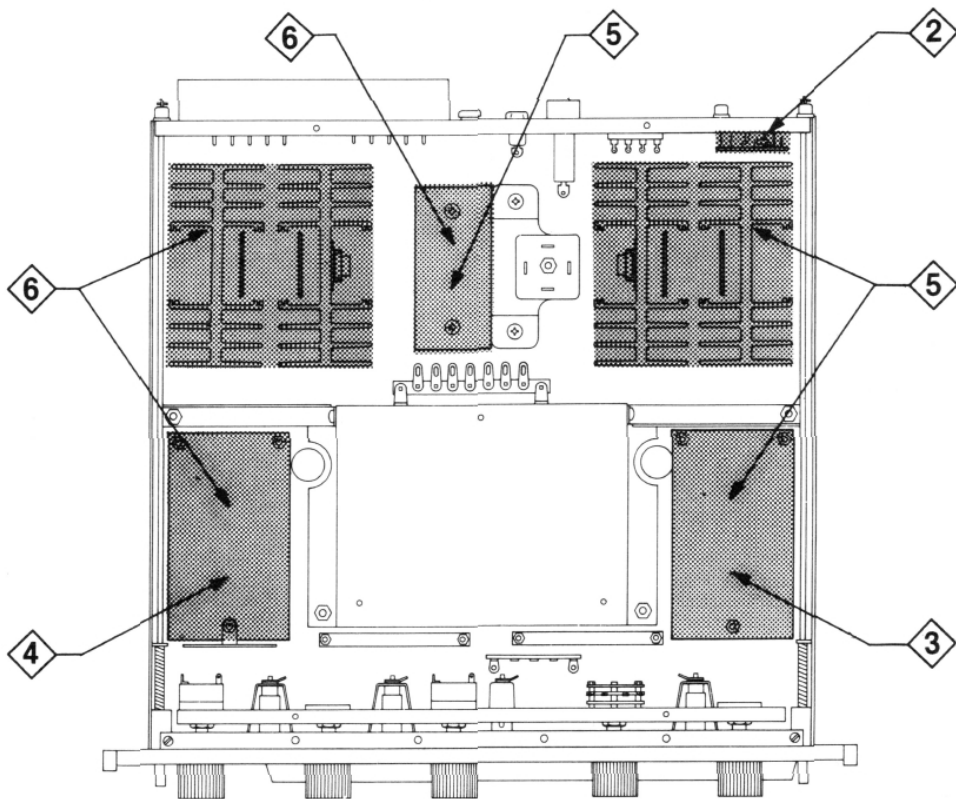
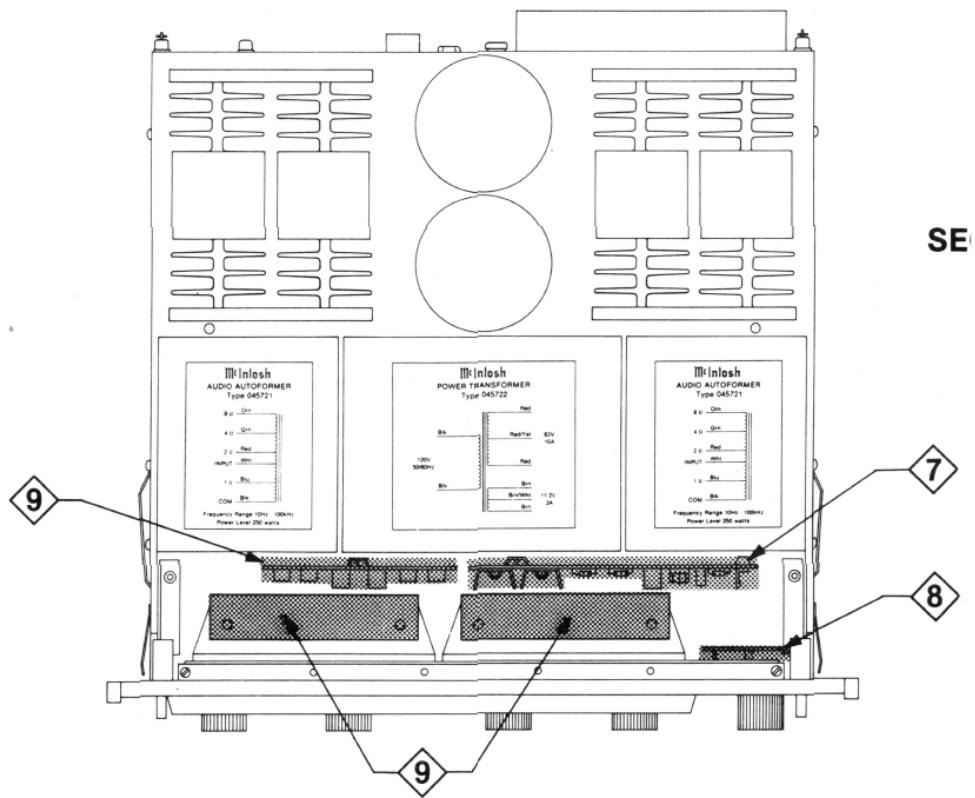
Part No.	Description
*044871	Hardware Pkg.
*043677	Mounting Strips
*038244	Mounting Template
*043678	Panloc Shelf Bracket, Right
*043679	Panloc Shelf Bracket, Left
*017218	Plastic Feet, Secure w/101072 Screws
*101072	Sheetmetal Screw, #8 x 3/4, Phillips, black

FRONT PANEL and TRIM

Part No.	Description
*045736	Front Panel, Complete
*045739	Front Panel, Glass
*018173	End Cap, Secure w/101042 Screws
*045740	Bezel, w/Adhesive
*090156	Left Gain Knob
*090156	Right/Mono Gain Knob
*090170	Meter Range Knob
*090156	Speaker Knob
*090156	Power Knob
*018155	Top Panel Rail, Secure w/100007 Screws
*018155	Bottom Panel Rail, Secure w/100103 Screws
*101054	Tapping Screws, 6-32 x 1/4, Phillips, black
*104017	Felt Washers, Knobs
*101042	Tapping Screw, 4-40 x 1/2, filister head
*100007	Machine Screw, 6-32 x 1/4
*100103	Machine Screw, 6-32 x 1/8

SHIPPING CARTON

Part No.	Description
*033241	Shipping Skid
*033368	Shipping Carton only
101034	10x2" Screw (3 required for mounting skid)
104033	10x 1 3/4" Flat Washer (3 used with 101034 screws)
*045758	Shipping Carton, Complete



SECTION



INTERCONNECTION DIAGRAM

PARTS LIST

Symbol No.	Part No.	Description
CAPACITORS (CD = Ceramic Disc, ELECT = Electrolytic, MPE = Metalized Polyester)		
C1	061159	CD, .01 μ F, +80 -20%, 50V
C2	061159	CD, .01 μ F, +80 -20%, 50V
*C3	066331	ELECT, 38,000 μ F, 60V
*C4	066331	ELECT, 38,000 μ F, 60V
C5	064267	MPE, .22 μ F, 400V
DIODES (BRID = Bridge, RECT = Rectifier, Si = Silicon)		
*D1	070092	Si, BRID, RECT, 35A, 200V, MDA3502
LIGHTING DEVICES (INC = Incandescent)		
*DS1	058014	INC, 6.3V, .25A, 1866
*DS2	058014	INC, 6.3V, .25A, 1866
*DS3	058014	INC, 6.3V, .25A, 1866
*DS4	058014	INC, 6.3V, .25A, 1866
FUSES and FUSEHOLDERS (FA = Fast Action)		
*F1	174188	Fusible Link, #30 solid copper wire
*F2	089042	FA, Fuse, 15A, 250V, ABC15
	178114	Fuseholder, UL/CSA-Slot, Bussman HMM
METERS		
*M1	124034	Meter
*M2	124034	Meter
RESISTORS (CF = Carbon Film, MF = Metal Film)		
*R1	134273	Left Gain Control
*R2	134273	Right/Mono Gain Control
*R3	144148	MF, 31.6k Ω , 1%, 1/4W
*R4	144113	MF, 100k Ω , 1%, 1/4W
*R5	144148	MF, 31.6k Ω , 1%, 1/4W
*R6	144113	MF, 100k Ω , 1%, 1/4W
R7	141057	CF, 2.2k Ω , 5%, 1/4W
THERMISTORS		
*RT1	144151	Thermistor, 5 Ω
*RT2	144151	Thermistor, 5 Ω
SWITCHES		
*S1	148055	Mode Switch
*S2	146183	Speaker Switch
*S3	146214	Meter Range Switch
*S4	148052	Tone Switch
*S5	148052	Speed Switch
*S6	146183	Power Switch
*S7	153017	Thermal Cut-Out Switch
*S8	153017	Thermal Cut-Out Switch
TRANSFORMERS		
*T1	045721	Audio
*T2	045721	Audio
*T3	045722	Power
MISCELLANEOUS		
	084038	Strain Relief (Line Cord)
	117009	AC Receptacle, Black
*J1	117049	Headphone Jack, 3/8"
	170133	Line Cord, 16 Ga.

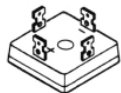
* Parts marked with an asterisk (*) are replacement parts stocked by our Service Department and must be ordered from McIntosh. These parts must be ordered by part number. Parts not marked may be obtained from electronic parts suppliers.

NOTES

- 1-1. If the power transformer is suspected of a malfunction, the DC resistance of the windings must be checked before replacement. The measurements are made with the primary windings disconnected. Actual DC resistance measurements can vary by $\pm 20\%$.

BRN to WHT/BRN	.046 Ω
RED to RED/YEL	.033 Ω
WHT/BLK to YEL/BLK	.056 Ω
YEL/BLK to BLK	0.25 Ω
GRN/BLK to ORN/BLK	.056 Ω
ORN/BLK to RED/BLK	0.25 Ω
- 1-2. When replacing bridge rectifier D1 make sure to apply a layer of heatsink compound (Dow Corning 340 or equivalent) to the metal bottom of the rectifier before installing on the heatsink.
- 1-3. If the autotransformer is suspected of a malfunction, the DC resistance of the windings must be checked before replacement. The measurements are made with all windings disconnected. Actual DC resistance measurements can vary by $\pm 20\%$.

ORN to GRN	0.24 Ω
GRN to RED	0.10 Ω
RED to BLU	0.13 Ω
BLU to WHT	0.36 Ω
BLU to BLK	0.24 Ω
- 1-4. WARNING! Filter capacitors C3 and C4 have high energy storage capacity. Before servicing, disconnect amplifier from AC line voltage and discharge both capacitors to chassis ground through a resistor.

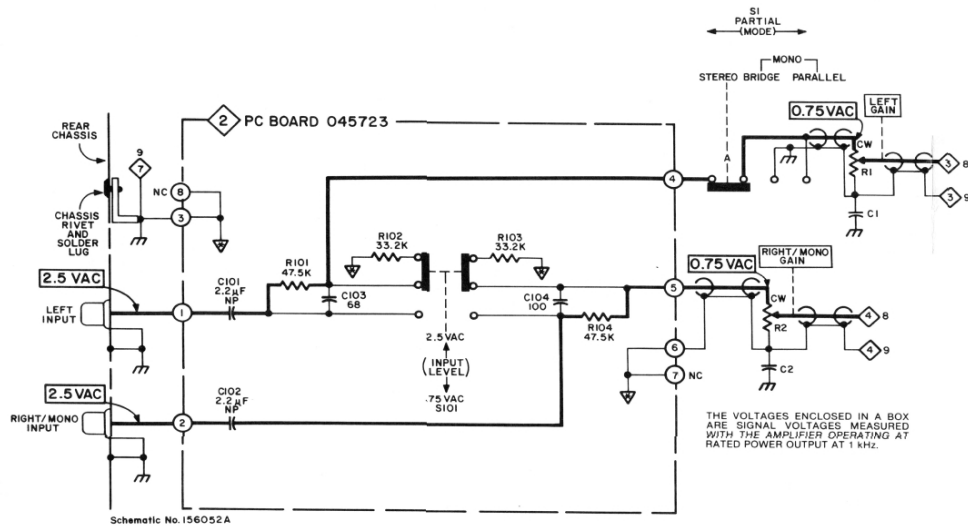


D1

SECTION

2

INPUT LEVEL



Schematic No. 156052A

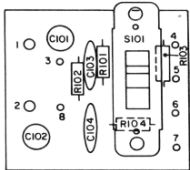


Fig. 2-1. PARTS LOCATION - PC board 045723.

PARTS LIST

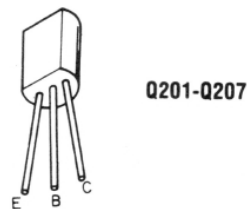
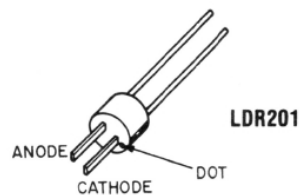
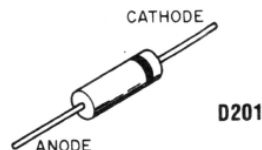
Symbol No.	Part No.	Description
CAPACITORS (CD = Ceramic Disc, ELECT = Electrolytic)		
*C101	066302	ELECT, 2.2 μ F, 25V, NP
*C102	066302	ELECT, 2.2 μ F, 25V, NP
C103	061133	CD, 68pF, 10%, N750, CG
C104	061023	CD, 100pF, 10%, 500V, N1500
RESISTORS (MF = Metal Film)		
*R101	144108	MF, 47.5K, 1%, 1/4W
*R102	144106	MF, 33.2K, 1%, 1/4W
*R103	144106	MF, 33.2K, 1%, 1/4W
*R104	144108	MF, 47.5K, 1%, 1/4W
SWITCHES		
*S101	148053	Input Level Switch

Parts marked with an asterisk () are replacement parts stocked by our Service Department and must be ordered from McIntosh. These parts must be ordered by part number. Parts not marked may be obtained from electronic parts suppliers.

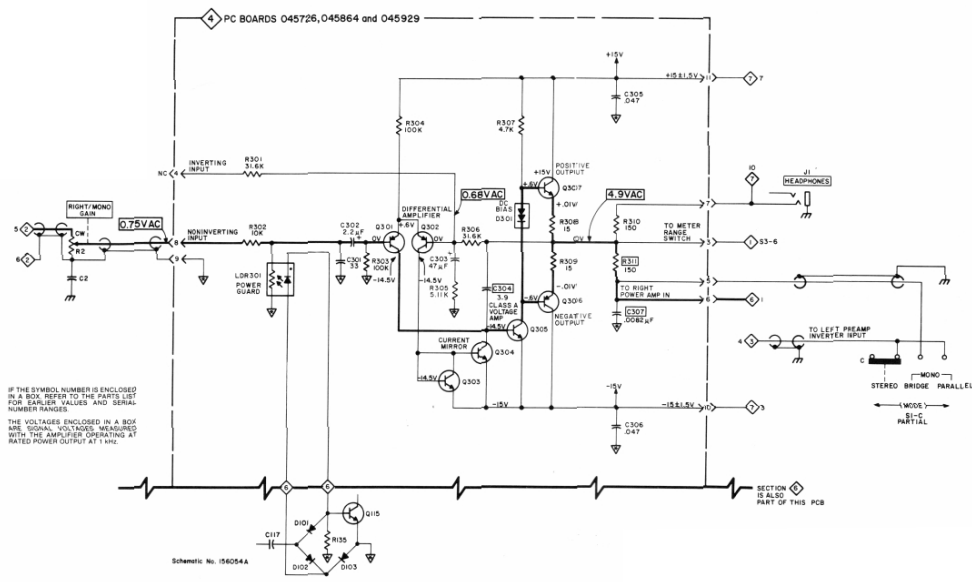
PARTS LIST

Symbol No.	Part No.	Description
CAPACITORS (CD = Ceramic Disc, ELECT = Electrolytic)		
C201	061016	CD, 33pF, 10%, 500V, NPO
C202	066237	ELECT, 2.2 μ F, 50V
C203	066313	ELECT, 47 μ F, 80V, DC
C204	061004	S/N CT1001 to CT2187: CD, 4.7pF, 20%, 500V, NPO....(7211)
	061130	S/N CT2188 to CT2701: CD, 8.2pF, 10%, NPO....(7377)
	*061140	S/N CT2702 and above: CD, 3.9pF, \pm .25pF, 100V, NPO....(7377)
C205	061161	CD, .047 μ F, + 80 - 20%, 50V
C206	061161	CD, .047 μ F, + 80 - 20%, 50V
C207	064172	S/N CT3264 and above: PF, .0082 μ F, 5%, 100V....(7418)
DIODES (Si = Silicon, STAB = Stabistor)		
	*D201	070046 Si, STAB, 1.3V, 2%, 10mA, Selected MZ236
LIGHT DEPENDENT RESISTORS		
	*LDR201	144070 LDR, CLM6000
TRANSISTORS (Si = Silicon)		
	*Q201	132056 Si, PNP, 2N5087
	*Q202	132056 Si, PNP, 2N5087
	*Q203	132195 Si, NPN, 40V, Low Noise
	*Q204	132195 Si, NPN, 40V, Low Noise
	*Q205	132195 Si, NPN, 40V, Low Noise
	*Q206	132172 Si, PNP, MPS-A55
	*Q207	132171 Si, NPN, MPS-A05
RESISTORS (CF = Carbon Film, MF = Metal Film)		
	*R201	144148 MF, 31.6k Ω , 1%, 1/4W
	R202	141072 CF, 10k Ω , 5%, 1/4W
	R203	141096 CF, 100k Ω , 5%, 1/4W
	R204	141096 CF, 100k Ω , 5%, 1/4W
	*R205	144083 MF, 5.11k Ω , 2%, 1/4W
	*R206	144148 MF, 31.6k Ω , 1%, 1/4W
	R207	141064 CF, 4.7k Ω , 5%, 1/4W
	R208	141140 CF, 15 Ω , 5%, 1/4W
	R209	141140 CF, 15 Ω , 5%, 1/4W
	R210	141029 CF, 150, 5%, 1/4W
	R211	141150 S/N CT1001 to CT2701: CF, 39 Ω , 5%, 1/4W....(7377)
		141029 S/N CT2702 and above: CF, 150 Ω , 5%, 1/4W....(7377)

* Parts marked with an asterisk (*) are replacement parts stocked by our Service Department and must be ordered from McIntosh. These parts must be ordered by part number. Parts not marked may be obtained from electronic parts suppliers.



SECTION **4** PREAMP INPUT and HEADPHONE OUTPUT (RIGHT CHANNEL)



IF THE SYMBOL NUMBER IS ENCLOSED IN A BOX REFER TO THE PARTS LIST FOR EXACT VALUES AND SIGNAL NUMBER RANGES.

THE VOLTAGES ENCLOSED IN A BOX ARE SIGNAL VOLTAGES MEASURED WITH THE ANALYSER OPERATING AT RATED POWER OUTPUT AT 1 KHz.

- PARTS LIST**
- | Symbol | Part No. | Description |
|---|----------|---|
| CAPACITORS (CD = Ceramic Disc, ELECT = Electrolytic) | | |
| C301 | 061016 | CD, 33pF, 10%, 500V, NPO |
| C302 | 066237 | ELECT, 2.2µF, 50V |
| C303 | 066313 | ELECT, 47µF, 50V, DC |
| C304 | 061004 | S/N CT1001 to CT1287, CD, 4.7pF, 20%, 500V, NPO, (.7211) |
| | 061130 | S/N CT1288 to CT2701, CD, 8.2pF, 10%, NPO, (.7377) |
| | *061140 | S/N CT2702 and above, CD, 3.9pF, ± 25pF, 100V, NPO, (.7377) |
| C305 | 061161 | CD, 34µF, +80 - 20%, 50V |
| C306 | 061161 | CD, 0.047µF, +80 - 20%, 50V |
| C307 | 064172 | S/N CT3264 and above, PF, 6800pF, 5%, 100V, (.7418) |
| DIODES (SI = Silicon, STAB = Stabilizer) | | |
| | *D301 | 070048, SI, STAB, 1.2V, 2%, 10mA, Selected M2236 |
| LIGHT DEPENDENT RESISTORS | | |
| | *LDR301 | 144070, LSR, CLM5000 |
| TRANSISTORS (SI = Silicon) | | |
| | *Q301 | 132056, SI, PNP, 2N5087 |
| | *Q302 | 132056, SI, PNP, 2N5087 |
| | *Q303 | 132195, SI, NPN, 40V, Low Noise |
| | *Q304 | 132195, SI, NPN, 40V, Low Noise |
| | *Q305 | 132195, SI, NPN, 40V, Low Noise |
| | *Q306 | 132172, SI, PNP, MPS-A55 |
| | *Q307 | 132171, SI, NPN, MPS-A55 |
| RESISTORS (CF = Carbon Film, MF = Metal Film) | | |
| | *R301 | 144148, MF, 31.8kΩ, 1%, 1/4W |
| | R302 | 141072, CF, 10kΩ, 5%, 1/4W |
| | R303 | 141096, CF, 100kΩ, 5%, 1/4W |
| | R304 | 141096, CF, 100kΩ, 5%, 1/4W |
| | *R305 | 144083, MF, 5.11kΩ, 2%, 1/4W |
| | *R306 | 144148, MF, 31.8kΩ, 1%, 1/4W |
| | R307 | 141064, CF, 4.7kΩ, 5%, 1/4W |
| | R308 | 141140, CF, 150, 5%, 1/4W |
| | R309 | 141140, CF, 150, 5%, 1/4W |
| | R310 | 141028, CF, 150, 5%, 1/4W |
| | R311 | 141150, S/N CT1001 to CT2701, CF, 390, 5%, 1/4W, (.7377) |
| | 141029 | S/N CT2702 and above, CF, 1500, 5%, 1/4W, (.7377) |
- * Parts marked with an asterisk (*) are replacement parts stocked by our Service Department and must be ordered through Micronix. These parts must be ordered by part number. Part not marked may be obtained from electronic parts supplier!

PARTS LIST

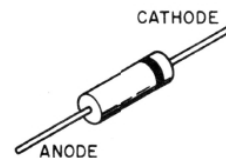
Symbol No.	Part No.	Description
CAPACITORS (CD = Ceramic Disc, ELECT = Electrolytic)		
C301	061016	CD, 33pF, 10%, 500V, NPO
C302	066237	ELECT, 2.2 μ F, 50V
C303	066313	ELECT, 47 μ F, 80V, DC
C304	061004	S/N CT1001 to CT2187: CD, 4.7pF, 20%, 500V, NPO....(7211)
	061130	S/N CT2188 to CT2701: CD, 8.2pF, 10%, NPO....(7377)
	*061140	S/N CT2702 and above: CD, 3.9pF, \pm .25pF, 100V, NPO....(7377)
C305	061161	CD, .047 μ F, +80 -20%, 50V
C306	061161	CD, .047 μ F, +80 -20%, 50V
C307	064172	S/N CT3264 and above: PF, .0082 μ F, 5%, 100V....(7418)

DIODES (Si = Silicon, STAB = Stabistor)		
*D301	070046	Si, STAB, 1.3V, 2%, 10mA, Selected MZ236

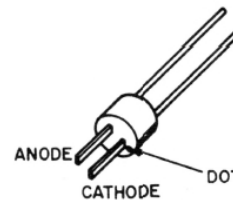
LIGHT DEPENDENT RESISTORS		
*LDR301	144070	LDR, CLM6000

TRANSISTORS (Si = Silicon)		
*Q301	132056	Si, PNP, 2N5087
*Q302	132056	Si, PNP, 2N5087
*Q303	132195	Si, NPN, 40V, Low Noise
*Q304	132195	Si, NPN, 40V, Low Noise
*Q305	132195	Si, NPN, 40V, Low Noise
*Q306	132172	Si, PNP, MPS-A55
*Q307	132171	Si, NPN, MPS-A05

RESISTORS (CF = Carbon Film, MF = Metal Film)		
*R301	144148	MF, 31.6k Ω , 1%, 1/4W
R302	141072	CF, 10k Ω , 5%, 1/4W
R303	141096	CF, 100k Ω , 5%, 1/4W
R304	141096	CF, 100k Ω , 5%, 1/4W
*R305	144083	MF, 5.11k Ω , 2%, 1/4W
*R306	144148	MF, 31.6k Ω , 1%, 1/4W
R307	141064	CF, 4.7k Ω , 5%, 1/4W
R308	141140	CF, 15 Ω , 5%, 1/4W
R309	141140	CF, 15 Ω , 5%, 1/4W
R310	141029	CF, 150, 5%, 1/4W
R311	141150	S/N CT1001 to CT2701: CF, 39 Ω , 5%, 1/4W....(7377)
	141029	S/N CT2702 and above: CF, 150 Ω , 5%, 1/4W....(7377)



D301

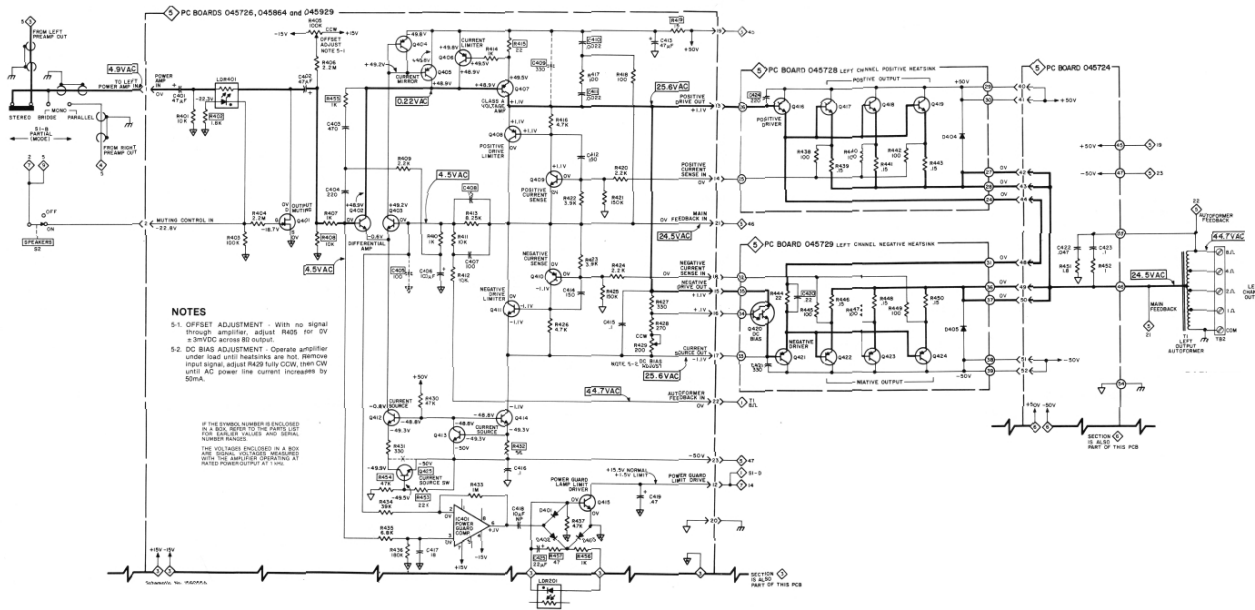


LDR301



Q301-Q307

* Parts marked with an asterisk (*) are replacement parts stocked by our Service Department and must be ordered from McIntosh. These parts must be ordered by part number. Parts not marked may be obtained from electronic parts suppliers.



SECTION **5** POWER OUTPUT and POWER GUARD (LEFT CHANNEL)

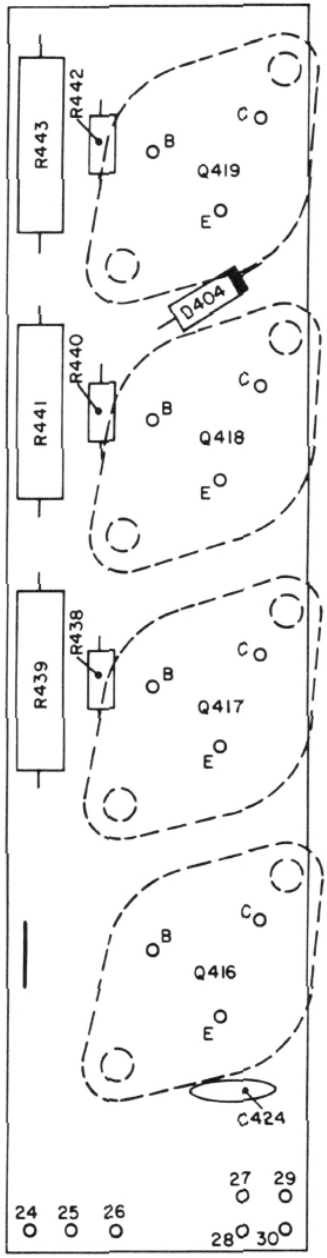


Fig. 54. PARTS LOCATION - PC board 045728, positive heatsink.

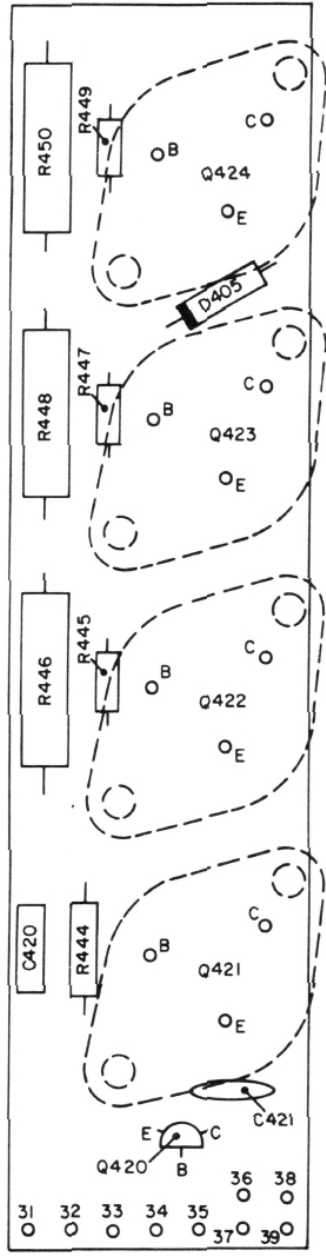


Fig. 55. PARTS LOCATION - PC board 045729, negative heatsink.

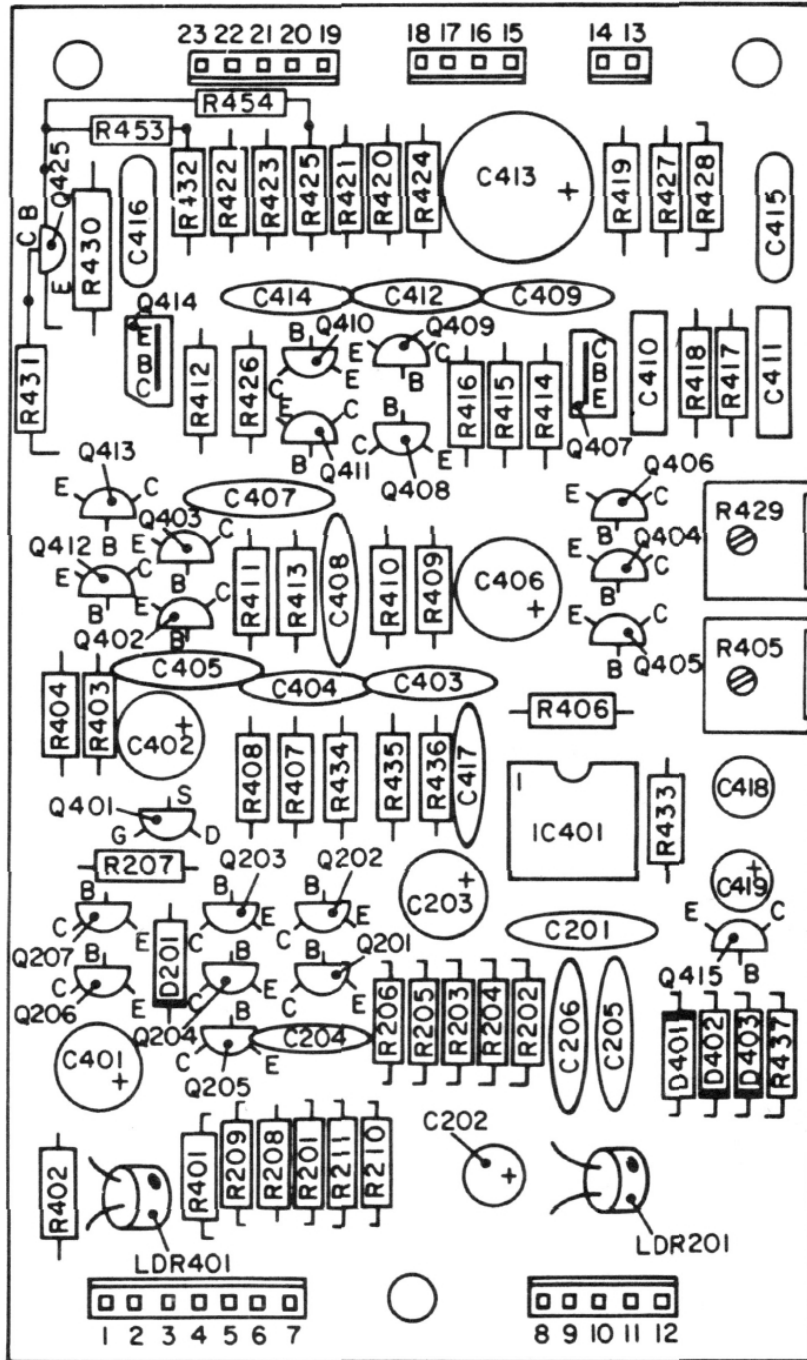


Fig. 3-1. and Fig. 5-1. PARTS LOCATION -
PC board 045726 used in units
S/N CT1001 to CT2449.

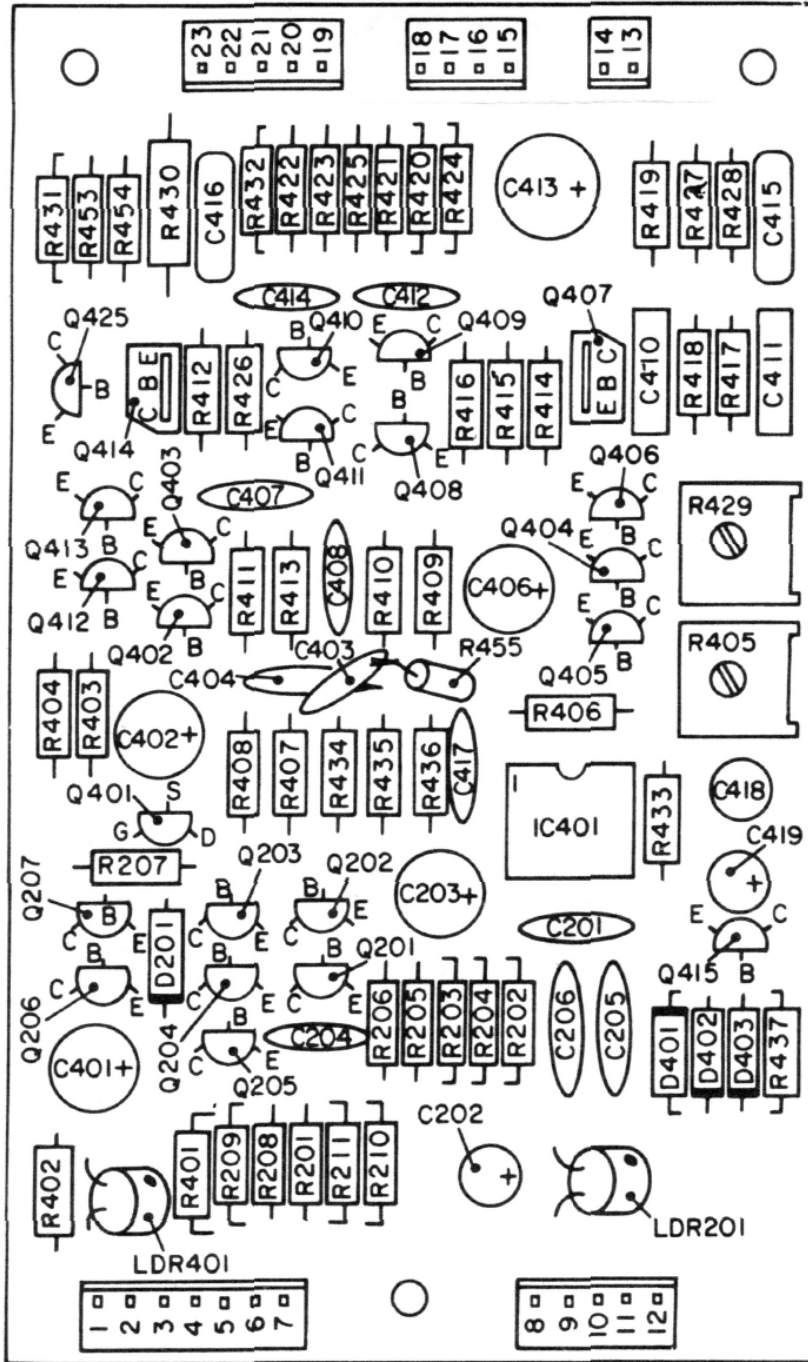


Fig. 3-2. and Fig. 5-2. PARTS LOCATION -
PC board 045864 used in units
S/N CT2450 to CT3263.

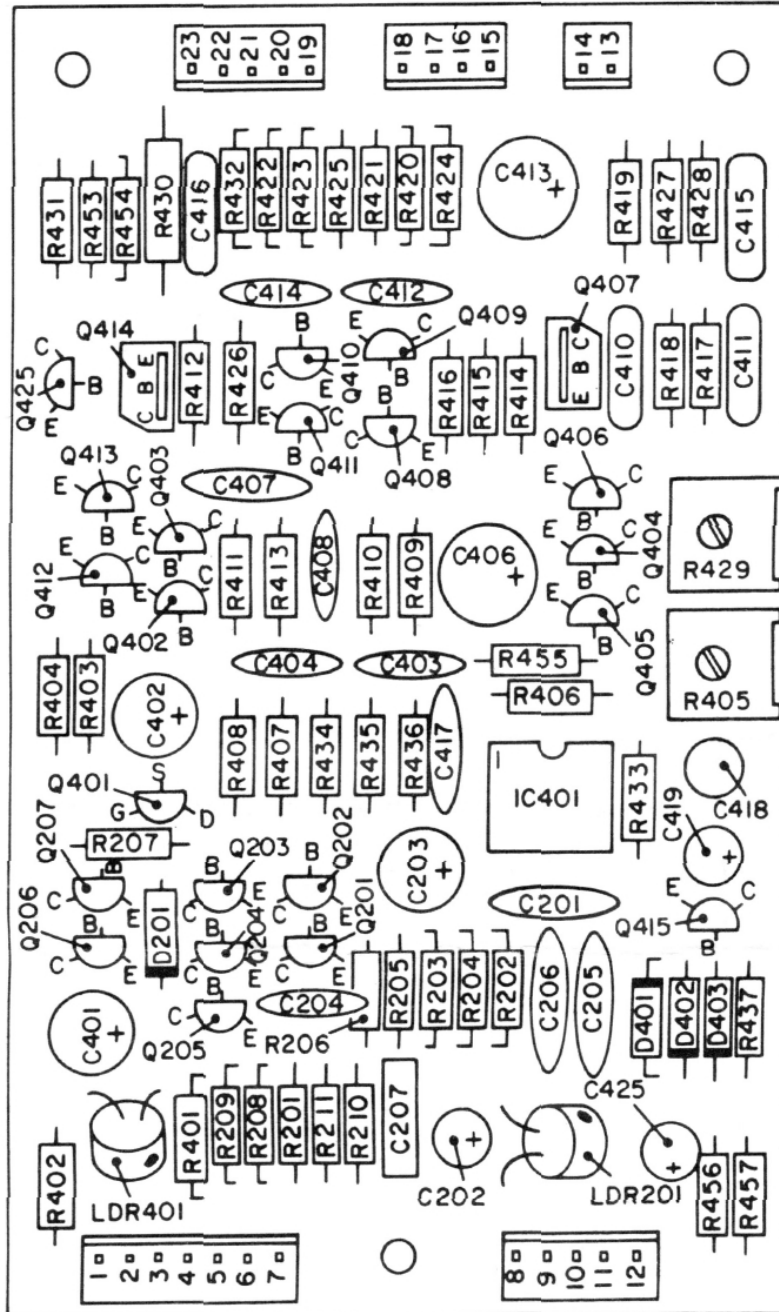


Fig. 3-3. and Fig. 5-3. PARTS LOCATION -
PC board 045929 used in units
S/N CT3264 and above.

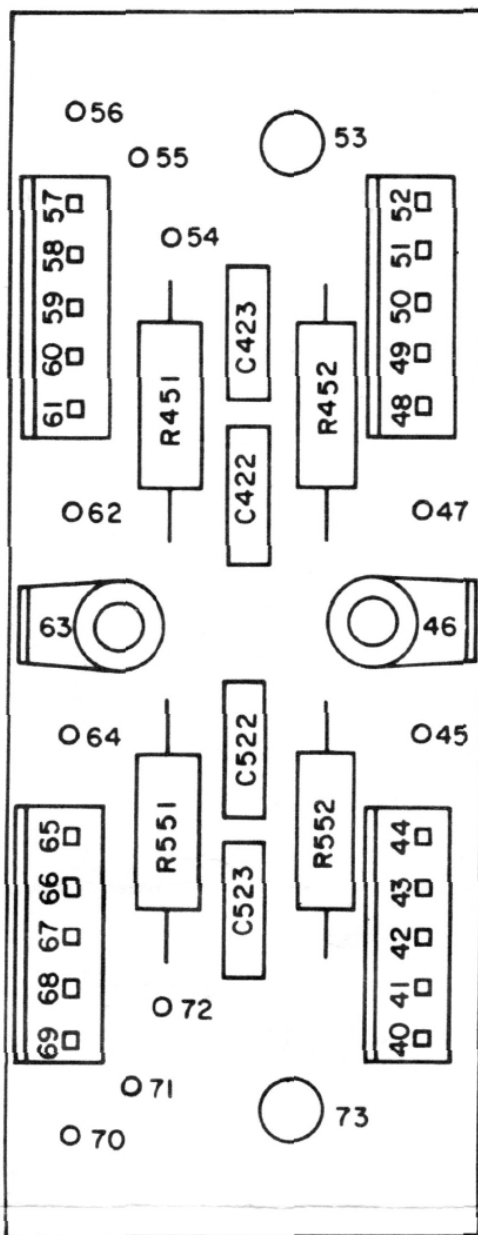
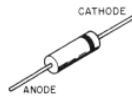
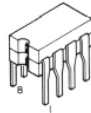


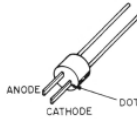
Fig. 5-6. PARTS LOCATION -
PC board 045724.



D401-D405



IC401



LDR401



Q401

PARTS LIST

Symbol No.	Part No.	Description
CAPACITORS (CD = Ceramic Disc, ELECT = Electrolytic, MPE = Metallized Polyester, PF = Polyester Film)		
C401	066215	ELECT, 47 μ F, 16V
C402	066215	ELECT, 47 μ F, 16V
C403	061128	CD, 470pF, 10%, 500V, Z5F
C404	061027	CD, 220pF, 10%, 500V, Z5F
C405	061023	S/N CT1001 to CT2400: CD, 100pF, 10%, 500V, N1500...(7385)
C406	066226	ELECT, 100 μ F, 16V
C407	061023	CD, 100pF, 10%, 500V, N1500
C408	061055	S/N CT1001 to CT2701: CD, 47pF, 10%, 500V, N470...(7385)
	*061114	S/N CT2702 and above: CD, 15pF, 5%, 500V, N330...(7385)
C409	061029	S/N CT1001 to CT2701: CD, 330pF, 10%...(7385)
C410	064169	S/N CT1001 to CT2701: PF, .0047 μ F, 5%, 100V...(7385)
	064165	S/N CT2702 and above: PF, .0022 μ F, 5%, 100V...(7385)
C411	064169	S/N CT1001 to CT2701: PF, .0047 μ F, 5%, 100V...(7385)
	064165	S/N CT2702 and above: PF, .0022 μ F, 5%, 100V...(7385)
C412	061024	CD, 150pF, 10%, 500V, Z5F
C413	066215	ELECT, 47 μ F, 16V
C414	061024	CD, 150pF, 10%, 500V, Z5F
C415	064186	MPE, .1 μ F, 5%, 63V
C416	064186	MPE, .1 μ F, 5%, 63V
C417	061112	CD, 18pF, 10%, 500V, NPO
*C418	066316	ELECT, 10 μ F, 25V, NP
C419	066244	ELECT, .47 μ F, 50V

C420	064254	S/N CT1001 to CT2701: MPE, 0.1 μ F, 10%, 63V...(7385)
	064190	S/N CT2702 and above: MPE, 0.22 μ F, 5%, 63V...(7385)
C421	061029	CD, 330pF, 10%, 500V
C422	064250	MPE, .047 μ F, 10%, 63V
C423	064254	MPE, .1 μ F, 10%, 63V
C424	061027	S/N CT1087 and above: CD, 220pF, 10%, 500V, Z5F...(7167)
C425	066241	S/N CT3264 and above: ELECT, 22 μ F, 6V...(7418)

DIODES (Si = Silicon, SIG = Signal, RECT = Rectifier)

*D401	070047	Si, SIG, 75V, 10mA, IN4148
*D402	070047	Si, SIG, 75V, 10mA, IN4148
*D403	070047	Si, SIG, 75V, 10mA, IN4148
*D404	070031	Si, RECT, 400 PIV, 1.5A
*D405	070031	Si, RECT, 400 PIV, 1.5A

INTEGRATED CIRCUITS (AN = Analog, BP = Bipolar)

*IC401	133066	AN, BP, Operation Amp, NE-5534AN
--------	--------	----------------------------------

LIGHT DEPENDENT RESISTORS

*LDR401	144159	LDR, CLM6500
---------	--------	--------------

TRANSISTORS (DAR = Darlington, J-FET = Junction FET, Si = Silicon, N = N Channel)

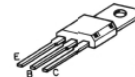
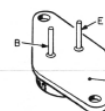
*Q401	132193	Si, N, J-FET, 2N4392
*Q402	132185	Si, NPN, 2N6429A
*Q403	132185	Si, NPN, 2N6429A
*Q404	132150	S/N CT1001 to CT3000: Si, PNP, MPS-D55...(7440)
	132056	S/N CT3001 and above: Si, PNP, 2N5087...(7440)
*Q405	132150	S/N CT1001 to CT3400: Si, PNP, MPS-D55...(7448)
	132172	S/N CT3401 and above: Si, PNP, MPS-A55...(7448)
*Q406	132150	S/N CT1001 to CT3000: Si, PNP, MPS-D55...(7440)
	132056	S/N CT3001 and above: Si, PNP, 2N5087...(7440)
*Q407	132194	Si, PNP, NDS-U57
*Q408	132150	S/N CT1001 to CT3400: Si, PNP, MPS-D55...(7448)
	132172	S/N CT3401 and above: Si, PNP, MPS-A55...(7448)
*Q409	132143	Si, NPN, MPS-D05
*Q410	132150	S/N CT1001 to CT3400: Si, PNP, MPS-D55...(7448)
	132172	S/N CT3401 and above: Si, PNP, MPS-A55...(7448)
*Q411	132143	Si, NPN, MPS-D05
*Q412	132185	Si, NPN, 2N6429A
*Q413	132195	Si, NPN, 40V, Low Noise
*Q414	132196	Si, NPN, NSD-U07
*Q415	132195	Si, NPN, 40V, Low Noise
*Q416	132203	Si, NPN, MJ4247
*Q417	132208	Si, NPN, MJ15003
*Q418	132208	Si, NPN, MJ15003
*Q419	132208	Si, NPN, MJ15003
*Q420	132090	Si, NPN, DAR, Selected MPS-A14
*Q421	132204	Si, PNP, MJ4237
*Q422	132209	Si, PNP, MJ15004
*Q423	132209	Si, PNP, MJ15004
*Q424	132209	Si, PNP, MJ15004
*Q425	132195	S/N CT1773 and above: Si, NPN, Selected 2N6428A...(7223)

RESISTORS (CF = Carbon Film, MF = Metal Film, POT = Potentiometer, WW = Wirewound, FP = Flameproof)

R401	141072	CF, 10k Ω , 5%, 1/4W
R402	141057	S/N CT1001 to CT1389: CF, 2.2k Ω , 5%, 1/4W...(7098)
	141055	S/N CT1390 and above: CF, 1.8k Ω , 5%, 1/4W...(7098)
R403	141096	CF, 100k Ω , 5%, 1/4W
R404	141124	CF, 2.2M, 5%, 1/4W
*R405	134369	POT, 100k Ω , 10%
R406	141124	CF, 2.2M, 5%, 1/4W
R407	141049	CF, 1k Ω , 5%, 1/4W
R408	141068	S/N CT1001 to CT1389: CF, 6.8k Ω , 5%, 1/4W...(7098)
	141072	S/N CT1390 and above: CF, 10k Ω , 5%, 1/4W...(7098)
R409	141057	CF, 2.2k Ω , 5%, 1/4W
*R410	144090	MF, 1k Ω , 1%, 1/4W
*R411	144053	MF, 10k Ω , 1%, 1/4W

*R412	144053	MF, 10k Ω , 1%, 1/4W
*R413	144153	MF, 8.25k Ω , 1%, 1/4W
R414	141049	CF, 1k Ω , 5%, 1/4W
*R415	144158	S/N CT1001 to CT2701: FP, 15 Ω , 5%, 1/4W...(7385)
	144160	S/N CT2702 and above: FP, 22 Ω , 5%, 1/4W
R416	141064	CF, 4.7k Ω , 5%, 1/4W
R417	141025	CF, 100 Ω , 5%, 1/4W
R418	141025	CF, 100 Ω , 5%, 1/4W
*R419	144157	S/N CT1001 to CT2701: FP, 10 Ω , 5%, 1/4W...(7385)
	144158	S/N CT2702 and above: FP, 15 Ω , 5%, 1/4W...(7385)
R420	141057	CF, 2.2k Ω , 5%, 1/4W
R421	141100	CF, 150k Ω , 5%, 1/4W
R422	141062	CF, 3.9k Ω , 5%, 1/4W
R423	141062	CF, 3.9k Ω , 5%, 1/4W
R424	141057	CF, 2.2k Ω , 5%, 1/4W
R425	141100	CF, 150k Ω , 5%, 1/4W
R426	141064	CF, 4.7k Ω , 5%, 1/4W
R427	141037	CF, 330 Ω , 5%, 1/4W
R428	141035	CF, 270 Ω , 5%, 1/4W
*R429	134368	POT, Linear, 200 Ω , 10%
R430	141196	CF, 47k Ω , 5%, 1/2W
R431	141037	CF, 330 Ω , 5%, 1/4W
R432	141150	S/N CT1001 to CT2701: CF, 39 Ω , 5%, 1/4W...(7385)
	141154	S/N CT2702 and above: CF, 56 Ω , 5%, 1/4W...(7385)
R433	141120	CF, 1M Ω , 5%, 1/4W
R434	141086	CF, 39k Ω , 5%, 1/4W
R435	141068	CF, 6.8k Ω , 5%, 1/4W
R436	141102	CF, 180k Ω , 5%, 1/4W
R437	141064	CF, 4.7k Ω , 5%, 1/4W
R438	141025	CF, 100 Ω , 5%, 1/4W
*R439	139125	WW, .15 Ω , 5%, 5W, Noninductive
R440	141025	CF, 100 Ω , 5%, 1/4W
*R441	139125	WW, .15 Ω , 5%, 5W, Noninductive
R442	141025	CF, 100 Ω , 5%, 1/4W
*R443	139125	WW, .15 Ω , 5%, 5W, Noninductive
*R444	144066	FP, 22 Ω , 10%, 1/2W
R445	141025	CF, 100 Ω , 5%, 1/4W
*R446	139125	WW, .15 Ω , 5%, 5W, Noninductive
R447	141025	CF, 100 Ω , 5%, 1/4W
*R448	139125	WW, .15 Ω , 5%, 5W, Noninductive
R449	141025	CF, 100 Ω , 5%, 1/4W
*R450	139125	WW, .15 Ω , 5%, 5W, Noninductive
*R451	139077	WW, 1.8 Ω , 10%, 2W
*R452	139147	WW, 1 Ω , 5%, 2W
R453	141080	S/N CT1773 and above: CF, 22k Ω , 5%, 1/4W...(7223)
R454	141088	S/N CT1773 and above: CF, 47k Ω , 5%, 1/4W...(7223)
R455	141049	S/N CT2702 and above: CF, 1k Ω , 5%, 1/4W...(7385)
R456	141049	S/N CT3264 and above: CF, 1k Ω , 5%, 1/4W...(7418)
R457	141152	S/N CT3264 and above: CF, 47 Ω , 5%, 1/4W...(7418)

* Parts marked with an asterisk (*) are replacement parts stocked by our Service Department and must be ordered from McIntosh. These parts must be ordered by part number. Parts not marked may be obtained from electronic parts suppliers.

Q402-Q406
Q408-Q413
Q415, Q420
Q425Q407
Q414Q416-Q419
Q421-Q424

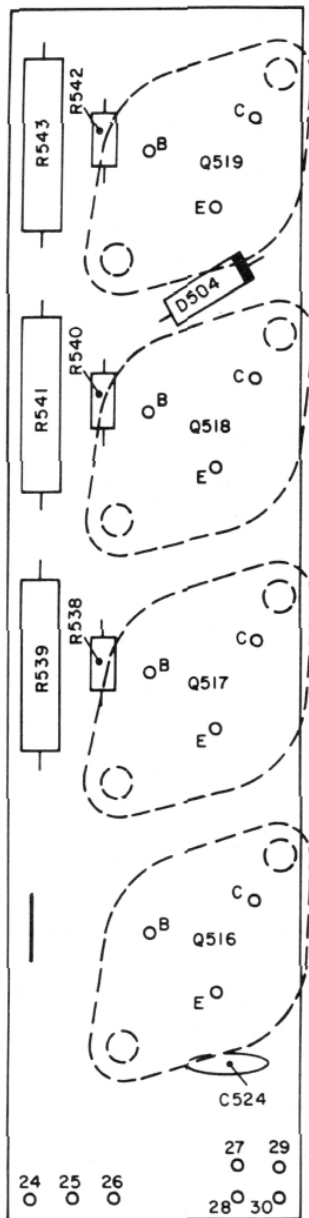


Fig. 6-4. PARTS LOCATION -
PC board 045728,
positive heatsink.

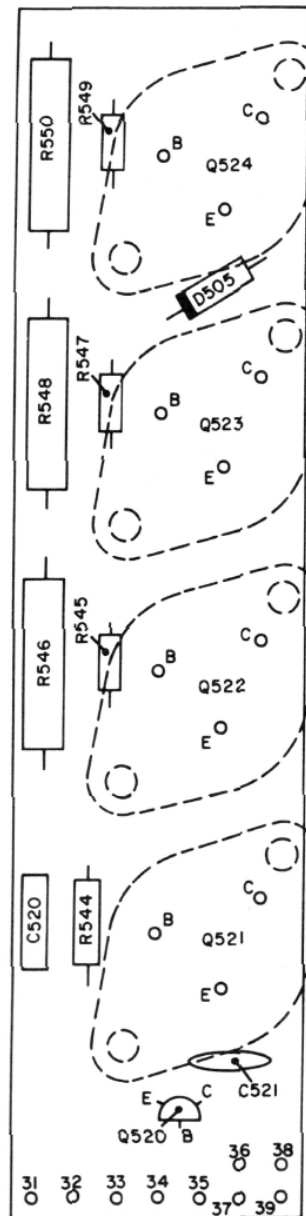


Fig. 6-5. PARTS LOCATION -
PC board 045729,
negative heatsink.

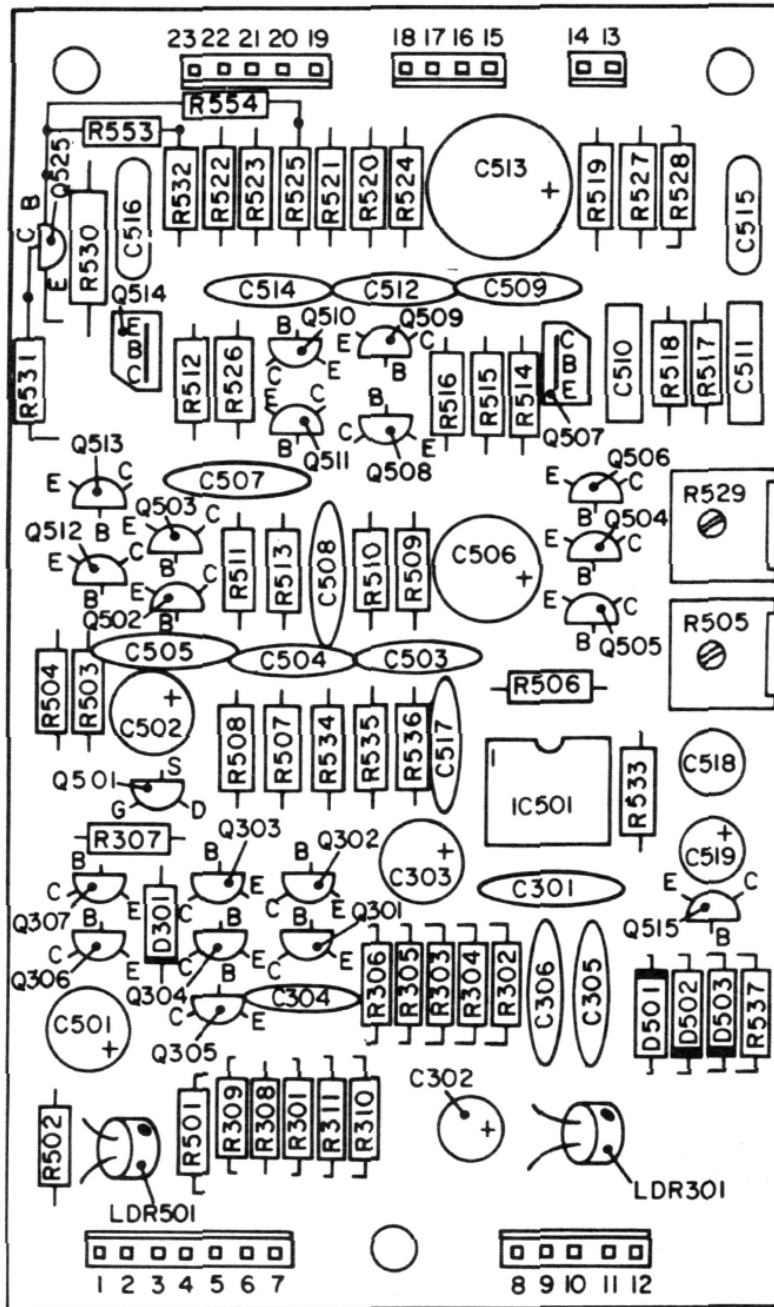


Fig. 4-1. and Fig. 6-1. PARTS LOCATION -
PC board 045726 used in units
S/N CT1001 to CT2449.

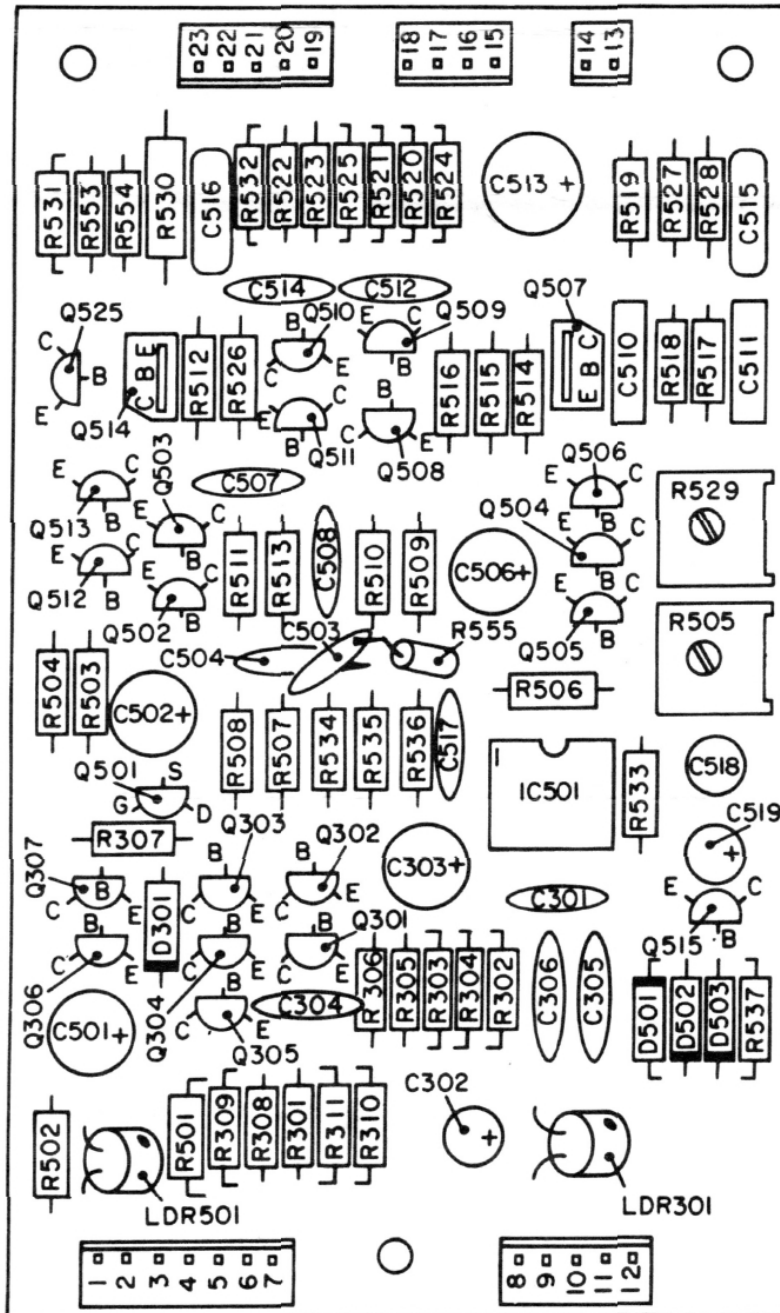


Fig. 4-2. and Fig. 6-2. PARTS LOCATION -
PC board 045864 used in units
S/N CT2450 to CT3263.

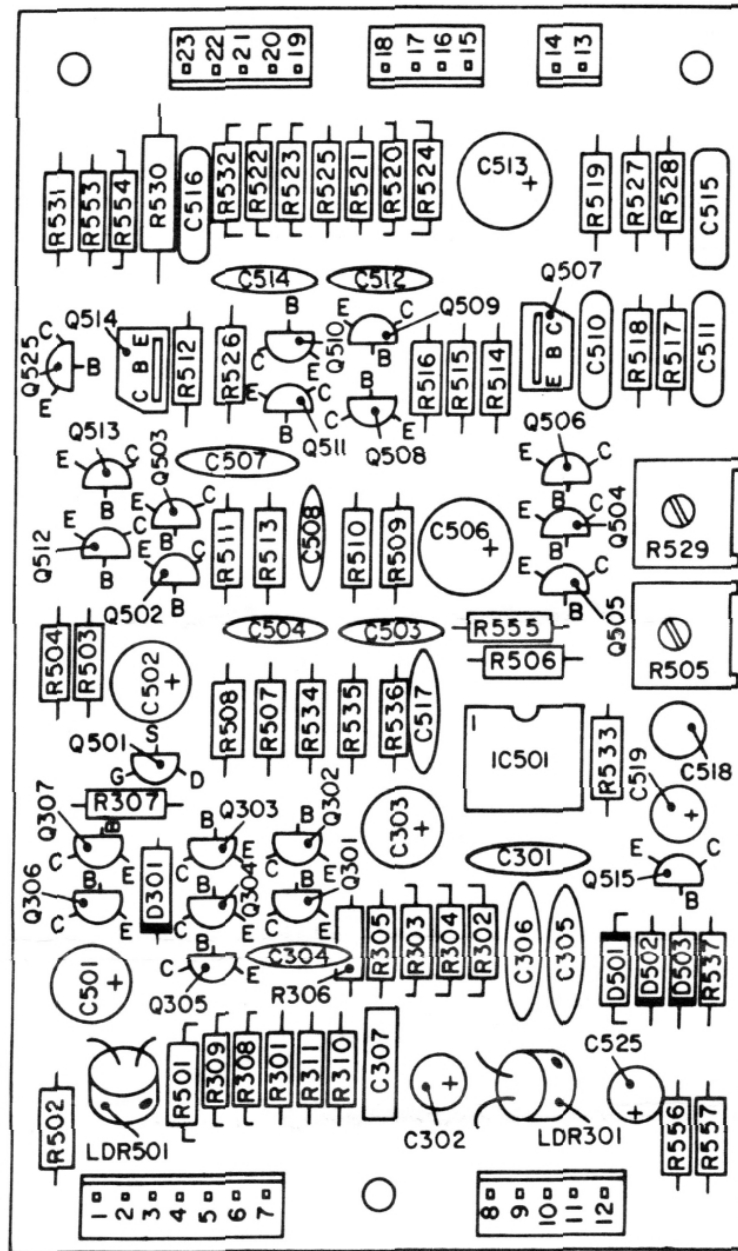


Fig. 4-3. and Fig. 6-3. PARTS LOCATION -
PC board 045929 used in units
S/N CT3264 and above.

PARTS LIST

Symbol No.	Part No.	Description
CAPACITORS (CD = Ceramic Disc, ELECT = Electrolytic, MPE = Metallized Polyester, PF = Polyester Film)		
C501	066215	ELECT, 47 μ F, 16V
C502	066215	ELECT, 47 μ F, 16V
C503	061128	CD, 470pF, 10%, 500V, Z5F
C504	061027	CD, 220pF, 10%, 500V, Z5F
C505	061023	S/N CT1001 to CT2400: CD, 100pF, 10%, 500V, N1500....(7385)
C506	066226	ELECT, 100 μ F, 16V
C507	061023	CD, 100pF, 10%, 500V, N1500
C508	061055	S/N CT1001 to CT2701: CD, 47pF, 10%, 500V, N470....(7385)
	*061114	S/N CT2702 and above: CD, 15pF, 5%, 500V, N330....(7385)
C509	061029	S/N CT1001 to CT2701: CD, 330pF, 10%....(7385)
C510	064169	S/N CT1001 to CT2701: PF, .0047 μ F, 5%, 100V....(7385)
	064165	S/N CT2702 and above: PF, .0022 μ F, 5%, 100V....(7385)
C511	064169	S/N CT1001 to CT2701: PF, .0047 μ F, 5%, 100V....(7385)
	064165	S/N CT2702 and above: PF, .0022 μ F, 5%, 100V....(7385)
C512	061024	CD, 150pF, 10%, 500V, Z5F
C513	066215	ELECT, 47 μ F, 16V
C514	061024	CD, 150pF, 10%, 500V, Z5F
C515	064186	MPE, .1 μ F, 5%, 63V
C516	064186	MPE, .1 μ F, 5%, 63V
C517	061112	CD, 18pF, 10%, 500V, NPO
*C518	066316	ELECT, 10 μ F, 25V, NP
C519	066244	ELECT, 47 μ F, 50V
C520	064254	S/N CT1001 to CT2701: MPE, 0.1 μ F, 10%, 63V....(7385)
	064190	S/N CT2702 and above: MPE, 0.22 μ F, 5%, 63V....(7385)
C521	061029	CD, 330pF, 10%
C522	064250	MPE, .047 μ F, 10%, 63V
C523	064254	MPE, .1 μ F, 10%, 63V
C524	061027	S/N CT1087 and above: CD, 220pF, 10%, 500V, Z5F....(7167)
C525	066241	S/N CT3264 and above: ELECT, 22 μ F, 6V....(7418)
DIODES (Si = Silicon, SIG = Signal, RECT = Rectifier)		
	*D501	070047 Si, SIG, 75V, 10mA, IN4148
	*D502	070047 Si, SIG, 75V, 10mA, IN4148
	*D503	070047 Si, SIG, 75V, 10mA, IN4148
	*D504	070031 Si, RECT, 400 PIV, 1.5A
	*D505	070031 Si, RECT, 400 PIV, 1.5A
INTEGRATED CIRCUITS (AN = Analog, BP = Bipolar)		
	*IC501	133066 AN, BP, Operation Amp, NE-5534AN
LIGHT DEPENDENT RESISTORS		
	*LDR501	144159 LDR, CLM6500

TRANSISTORS (DAR = Darlington, J-FET = Junction FET, Si = Silicon, N = N Channel)		
*Q501	132193	Si, N, J-FET, 2N4392
*Q502	132185	Si, NPN, 2N6429A
*Q503	132185	Si, NPN, 2N6429A
*Q504	132150	S/N CT1001 to CT3000: Si, PNP, MPS-D55....(7440)
	132056	S/N CT3001 and above: Si, PNP, 2N5087....(7440)
*Q505	132150	S/N CT3401 to CT3400: Si, PNP, MPS-D55....(7448)
	132172	S/N CT3401 and above: Si, PNP, MPS-A55....(7448)
*Q506	132150	S/N CT1001 to CT3000: Si, PNP, MPS-D55....(7440)
	132056	S/N CT3001 and above: Si, PNP, 2N5087....(7440)
*Q507	132194	Si, PNP, NDS-U57
Q508	132150	S/N CT1001 to CT3400: Si, PNP, MPS-D55....(7448)
	132172	S/N CT3401 and above: Si, PNP, MPS-A55....(7448)
*Q509	132143	Si, NPN, MPS-D05
*Q510	132150	S/N CT1001 to CT3400: Si, PNP, MPS-D55....(7448)
	132172	S/N CT3401 and above: Si, PNP, MPS-A55....(7448)
*Q511	132143	Si, NPN, MPS-D05
*Q512	132185	Si, NPN, 2N6429A
*Q513	132195	Si, NPN, 40V, Low Noise
*Q514	132196	Si, NPN, NSD-U07
*Q515	132195	Si, NPN, 40V, Low Noise
*Q516	132203	Si, NPN, MJ4247
*Q517	132208	Si, NPN, MJ15003
*Q518	132208	Si, NPN, MJ15003
*Q519	132208	Si, NPN, MJ15003
*Q520	132090	Si, NPN, DAR, Selected MPS-A14
*Q521	132204	Si, PNP, MJ4237
*Q522	132209	Si, PNP, MJ15004
*Q523	132209	Si, PNP, MJ15004
*Q524	132209	Si, PNP, MJ15004
*Q525	132195	S/N CT1773 and above: Si, NPN, Selected 2N6428A....(7223)

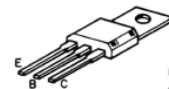
RESISTORS (CF = Carbon Film, MF = Metal Film, POT = Potentiometer, WW = Wirewound, FP = Flameproof)		
R501	141072	CF, 10k Ω , 5%, 1/4W
R502	141057	S/N CT1001 to CT1389: CF, 2.2k Ω , 5%, 1/4W....(7098)
	141055	S/N CT1390 and above: CF, 1.8k Ω , 5%, 1/4W....(7098)
R503	141096	CF, 100k Ω , 5%, 1/4W
R504	141124	CF, 2.2M Ω , 5%, 1/4W
*R505	134389	POT, 100k Ω 10%
R506	141124	CF, 2.2M Ω , 5%, 1/4W
R507	141049	CF, 1k Ω , 5%, 1/4W
R508	141068	S/N CT1001 to CT1389: CF, 6.8k Ω , 5%, 1/4W....(7098)
	141072	S/N CT1390 and above: CF, 10k Ω , 5%, 1/4W....(7098)
R509	141057	CF, 2.2k Ω , 5%, 1/4W
*R510	144090	MF, 1k Ω , 1%, 1/4W
*R511	144053	MF, 10k Ω , 1%, 1/4W
*R512	144053	MF, 10k Ω , 1%, 1/4W
*R513	144153	MF, 8.25k Ω , 1%, 1/4W
R514	141049	CF, 1k Ω , 5%, 1/4W
*R515	144158	S/N CT1001 to CT2701: FP, 15 Ω , 5%, 1/4W....(7385)
	144160	S/N CT2702 and above: FP, 22 Ω , 5%, 1/4W....(7385)
R516	141064	CF, 4.7k Ω , 5%, 1/4W
R517	141025	CF, 100 Ω , 5%, 1/4W
R518	141025	CF, 100 Ω , 5%, 1/4W
*R519	144157	S/N CT1001 to CT2701: FP, 10 Ω , 5%, 1/4W....(7385)
	144158	S/N CT2702 and above: FP, 15 Ω , 5%, 1/4W....(7385)

R520	141057	CF, 2.2k Ω , 5%, 1/4W
R521	141100	CF, 150k Ω , 5%, 1/4W
R522	141062	CF, 3.9k Ω , 5%, 1/4W
R523	141062	CF, 3.9k Ω , 5%, 1/4W
R524	141057	CF, 2.2k Ω , 5%, 1/4W
R525	141100	CF, 150k Ω , 5%, 1/4W
R526	141064	CF, 4.7k Ω , 5%, 1/4W
R527	141037	CF, 330 Ω , 5%, 1/4W
R528	141035	CF, 270 Ω , 5%, 1/4W
*R529	134368	POT, Linear, 200 Ω , 10%
R530	141196	CF, 47k Ω , 5%, 1/2W
R531	141037	CF, 330 Ω , 5%, 1/4W
R532	141150	S/N CT1001 to CT2701: CF, 39 Ω , 5%, 1/4W....(7385)
	141154	S/N CT2702 and above: CF, 56 Ω , 5%, 1/4W....(7385)
R533	141120	CF, 1M Ω , 5%, 1/4W
R534	141086	CF, 39k Ω , 5%, 1/4W
R535	141068	CF, 6.8k Ω , 5%, 1/4W
R536	141102	CF, 180k Ω , 5%, 1/4W
R537	141064	CF, 4.7k Ω , 5%, 1/4W
R538	141025	CF, 100 Ω , 5%, 1/4W
*R539	139125	WW, .15 Ω , 5%, 5W, Noninductive
R540	141025	CF, 100 Ω , 5%, 1/4W
*R541	139125	WW, .15 Ω , 5%, 5W, Noninductive
R542	141025	CF, 100 Ω , 5%, 1/4W
*R543	139125	WW, .15 Ω , 5%, 5W, Noninductive
*R544	144066	FP, 22 Ω , 10%, 1/2W
R545	141025	CF, 100 Ω , 5%, 1/4W
*R546	139125	WW, .15 Ω , 5%, 5W, Noninductive
R547	141025	CF, 100 Ω , 5%, 1/4W
*R548	139125	WW, .15 Ω , 5%, 5W, Noninductive
R549	141025	CF, 100 Ω , 5%, 1/4W
*R550	139125	WW, .15 Ω , 5%, 5W, Noninductive
*R551	139077	WW, 1.8 Ω , 10%, 2W
*R552	139147	WW, 1 Ω , 5%, 2W
R553	141080	S/N CT1773 and above: CF, 22k Ω , 5%, 1/4W....(7223)
R554	141088	S/N CT1773 and above: CF, 47k Ω , 5%, 1/4W....(7223)
R555	141049	S/N CT2702 and above: CF, 1k Ω , 5%, 1/4W....(7385)
R556	141049	S/N CT3264 and above: CF, 1k Ω , 5%, 1/4W....(7418)
R557	141152	S/N CT3264 and above: CF, 47 Ω , 5%, 1/4W....(7418)

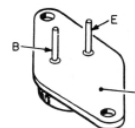
* Parts marked with an asterisk (*) are replacement parts stocked by our Service Department and must be ordered from McIntosh. These parts must be ordered by part number. Parts not marked may be obtained from electronic parts suppliers.



Q502-Q506
Q508-Q513
Q515, Q520
Q525



Q507
Q514

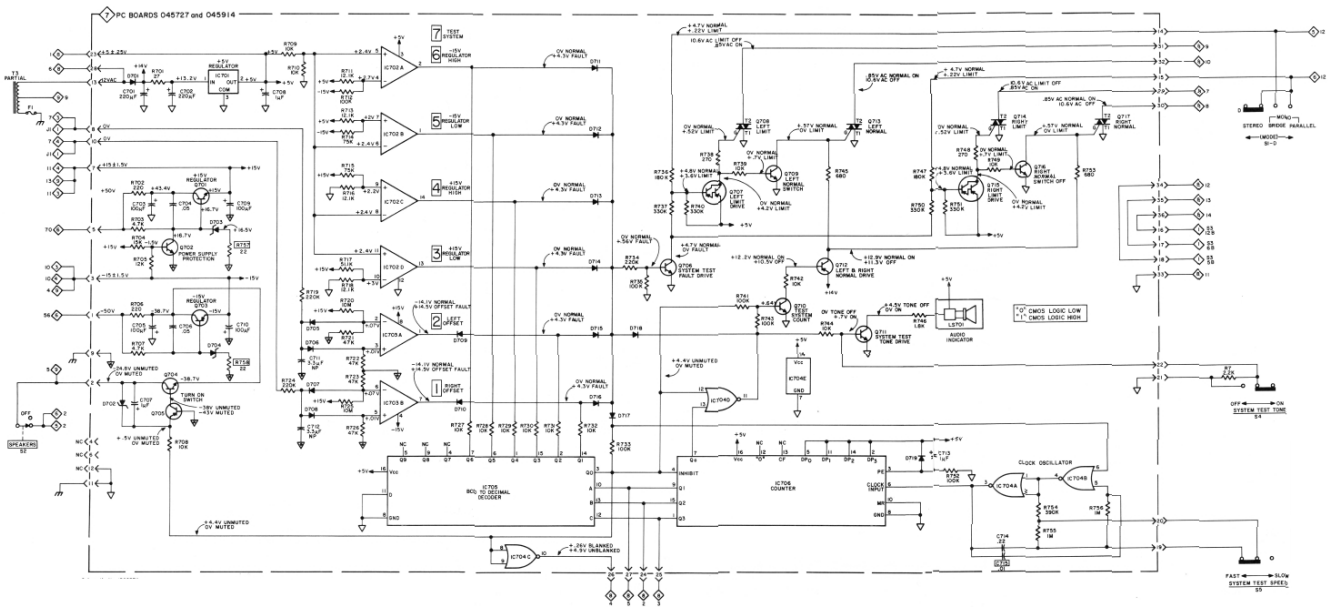


Q516-Q519
Q521-Q524

SECTION

7

POWER SUPPLY, COUNTDOWN and POWER GUARD DISPLAY DRIVES



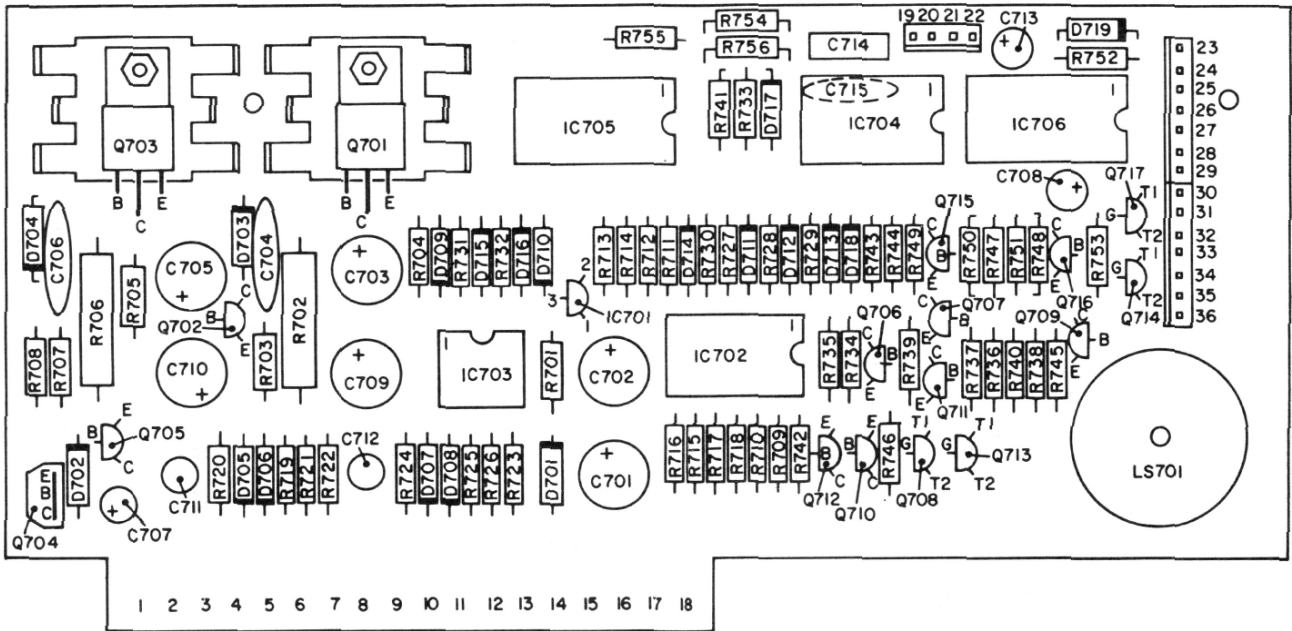


Fig. 7-1. PARTS LOCATION - PC board 045727 used in units S/N CT1001 to CT2552.

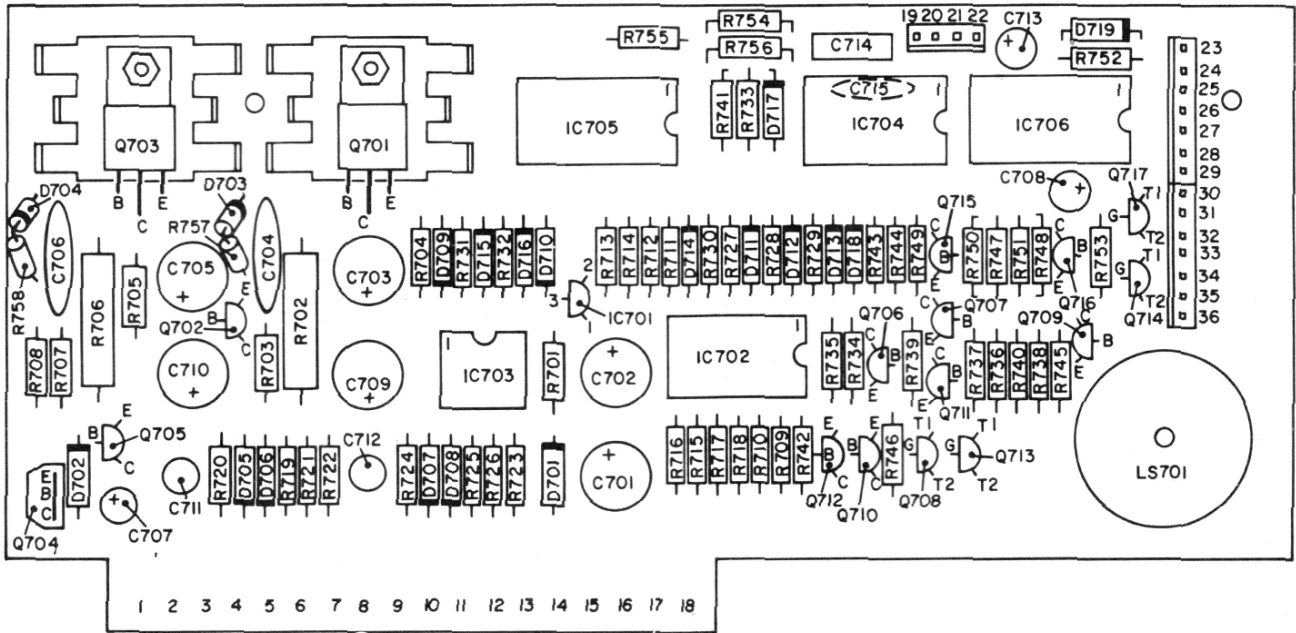
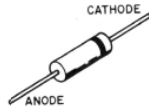


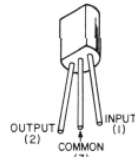
Fig. 7-2. PARTS LOCATION - PC board 045914 used if units S/N CT2553 and above.

PARTS LIST

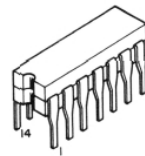
Symbol No.	Part No.	Description
CAPACITORS (CD = Ceramic Disc, ELECT = Electrolytic, MPE = Metalized Polyester)		
C701	066330	ELECT, 220 μ F, 16V
C702	066330	ELECT, 220 μ F, 16V
C703	066353	ELECT, 100 μ F, 50V....(7486)
C704	061048	CD, .05 μ F, +80 -20%, 100V, Z5V
C705	066353	ELECT, 100 μ F, 50V....(7486)
C706	061048	CD, .05 μ F, +80 -20%, 100V, Z5V
C707	066242	ELECT, 1 μ F, 50V
C708	066242	ELECT, 1 μ F, 50V
C709	066353	ELECT, 100 μ F, 50V....(7486)
C710	066353	ELECT, 100 μ F, 50V....(7486)
*C711	066277	ELECT, 3.3 μ F, 20%, 50V, NP
*C712	066277	ELECT, 3.3 μ F, 20%, 50V, NP
C713	066242	ELECT, 1 μ F, 50V
C714	064190	MPE, .22 μ F, 5%, 63V
C715	061159	S/N CT2210 and above: CD, .01 μ F, +80 -20%, 50V....(7389)
DIODES (SIG = Signal, Si = Silicon, RECT = Rectifier, ZN = Zener)		
*D701	070031	Si, RECT, 400 PIV, 1.5A
*D702	070065	Si, ZN, 24V, 5%, 1W
*D703	070114	Si, ZN, 16V, 5%, 500mW
*D704	070114	Si, ZN, 16V, 5%, 500mW
*D705	070047	Si, SIG, 75V, 10mA, IN4148
*D706	070047	Si, SIG, 75V, 10mA, IN4148
*D707	070047	Si, SIG, 75V, 10mA, IN4148
*D708	070047	Si, SIG, 75V, 10mA, IN4148
*D709	070047	Si, SIG, 75V, 10mA, IN4148
*D710	070047	Si, SIG, 75V, 10mA, IN4148
*D711	070047	Si, SIG, 75V, 10mA, IN4148
*D712	070047	Si, SIG, 75V, 10mA, IN4148
*D713	070047	Si, SIG, 75V, 10mA, IN4148
*D714	070047	Si, SIG, 75V, 10mA, IN4148
*D715	070047	Si, SIG, 75V, 10mA, IN4148
*D716	070047	Si, SIG, 75V, 10mA, IN4148
*D717	070047	Si, SIG, 75V, 10mA, IN4148
*D718	070047	Si, SIG, 75V, 10mA, IN4148
*D719	070047	Si, SIG, 75V, 10mA, IN4148
INTEGRATED CIRCUITS (AN = Analog, BP = Bipolar, DG = Digital, C-MOS = Complementary MOS)		
*IC701	133093	AN, BP, Positive 5V Regulator, 78L05A
*IC702	133092	AN, BP, Quad Comparator, MLM339AP
*IC703	133028	AN, BP, Dual Hi-speed Operation Amp., MC-4558P
*IC704	133064	DG, C-MOS, Quad, 2 input NOR Gate, MC14001B
*IC705	133082	DG, C-MOS, BCD to Decimal Decoder, MC14028B
*IC706	133091	DG, C-MOS, Divide-By-N-4-Bit Counter, MC14526BCP
TRANSISTORS (DAR = Darlington, Si = Silicon)		
*Q701	132174	Si, NPN, FT3055
*Q702	132143	Si, NPN, MPS-D05
*Q703	132173	Si, PNP, FT2955
*Q704	132149	Si, NPN, MPS-U07
*Q705	132147	Si, PNP, MPS-A93
*Q706	132143	Si, NPN, MPS-D05
*Q707	132182	Si, PNP, DAR, MPS-A64
*Q708	131011	Si, TRIAC, IB200-1
*Q709	132143	Si, NPN, MPS-D05
*Q710	132143	Si, NPN, MPS-D05
*Q711	132143	Si, NPN, MPS-D05
*Q712	132172	Si, PNP, MPS-A55....(7448)
*Q713	131011	Si, TRIAC, IB200-1
*Q714	131011	Si, TRIAC, IB200-1
*Q715	132182	Si, PNP, DAR, MPS-A64
*Q716	132143	Si, NPN, MPS-D05
*Q717	131011	Si, TRIAC, IB200-1



D701-D719

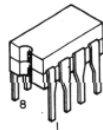


IC701

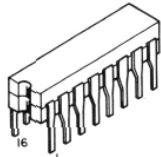


IC702

IC704

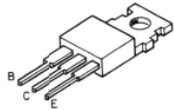


IC703



IC705

IC706



Q701

Q703

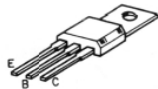


Q702

Q705-Q707

Q709-Q712

Q715, Q716



Q704

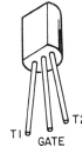
RESISTORS (CC = Carbon Composition, CF = Carbon Film, MF = Metal Film, FP = Flameproof)

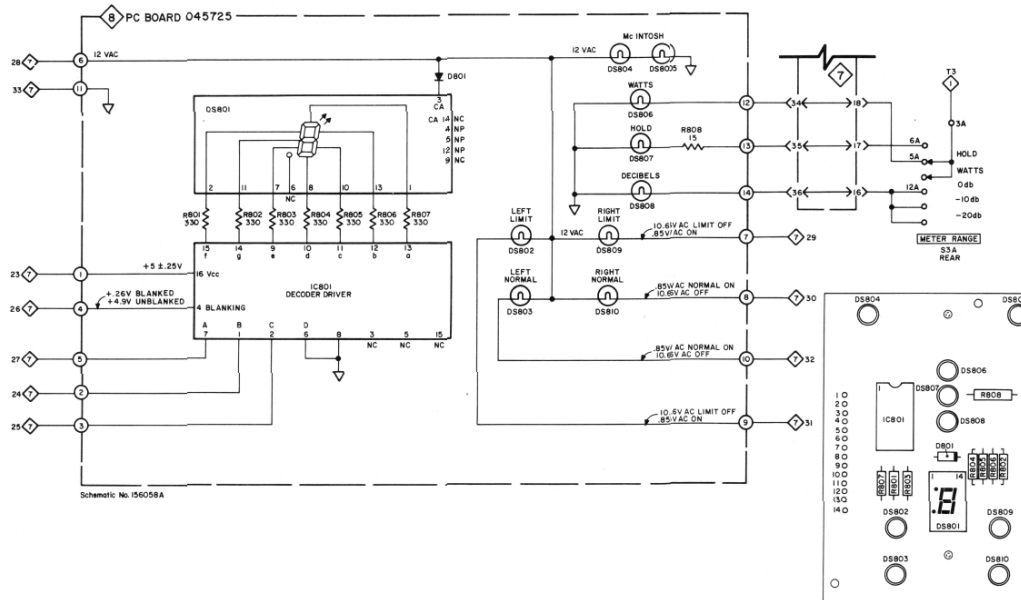
R701	141146	CF, 27, 5%, 1/4W
*R702	139158	FP, 220 Ω , 10%, 2W
R703	141064	CF, 4.7k Ω , 5%, 1/4W
R704	141076	CF, 15k Ω , 5%, 1/4W
R705	141074	CF, 12k Ω , 5%, 1/4W
*R706	139158	FP, 220 Ω , 10%, 2W
R707	141064	CF, 4.7k Ω , 5%, 1/4W
R708	141072	CF, 10k Ω , 5%, 1/4W
*R709	144053	MF, 10k Ω , 1%, 1/4W
*R710	144053	MF, 10k Ω , 1%, 1/4W
*R711	144154	MF, 12.1k Ω , 1%, 1/4W
*R712	144113	MF, 100k Ω , 1%, 1/4W
*R713	144154	MF, 12.1k Ω , 1%, 1/4W
*R714	144156	MF, 75k Ω , 1%, 1/4W
*R715	144156	MF, 75k Ω , 1%, 1/4W
*R716	144154	MF, 12.1k Ω , 1%, 1/4W
*R717	144155	MF, 51.1k Ω , 1%, 1/4W
*R718	144154	MF, 12.1k Ω , 1%, 1/4W
*R719	141104	CF, 220k Ω , 5%, 1/4W
R720	136476	CC, 10M Ω , 10%, 1/4W
R721	141088	CF, 47k Ω , 5%, 1/4W
R722	141088	CF, 47k Ω , 5%, 1/4W
R723	141088	CF, 47k Ω , 5%, 1/4W
R724	141104	CF, 220k Ω , 5%, 1/4W
R725	136476	CC, 10M Ω , 10%, 1/4W
R726	141088	CF, 47k Ω , 5%, 1/4W
R727	141072	CF, 10k Ω , 5%, 1/4W
R728	141072	CF, 10k Ω , 5%, 1/4W
R729	141072	CF, 10k Ω , 5%, 1/4W
R730	141072	CF, 10k Ω , 5%, 1/4W
R731	141072	CF, 10k Ω , 5%, 1/4W
R732	141072	CF, 10k Ω , 5%, 1/4W
R733	141096	CF, 100k Ω , 5%, 1/4W
R734	141104	CF, 220k Ω , 5%, 1/4W
R735	141096	CF, 100k Ω , 5%, 1/4W
R736	141102	CF, 180k Ω , 5%, 1/4W
R737	141108	CF, 330k Ω , 5%, 1/4W
R738	141035	CF, 270 Ω , 5%, 1/4W
R739	141072	CF, 10k Ω , 5%, 1/4W
R740	141108	CF, 330k Ω , 5%, 1/4W
R741	141096	CF, 100k Ω , 5%, 1/4W
R742	141072	CF, 10k Ω , 5%, 1/4W
R743	141096	CF, 100k Ω , 5%, 1/4W
R744	141072	CF, 10k Ω , 5%, 1/4W
R745	141045	CF, 680, 5%, 1/4W
R746	141055	CF, 1.8k Ω , 5%, 1/4W
R747	141102	CF, 180k Ω , 5%, 1/4W
R748	141035	CF, 270 Ω , 5%, 1/4W
R749	141072	CF, 10k Ω , 5%, 1/4W
R750	141108	CF, 330k Ω , 5%, 1/4W
R751	141108	CF, 330k Ω , 5%, 1/4W
R752	141096	CF, 100k Ω , 5%, 1/4W
R753	141045	CF, 680, 5%, 1/4W
R754	141110	CF, 390k Ω , 5%, 1/4W
R755	141120	CF, 1M Ω , 5%, 1/4W
R756	141120	CF, 1M Ω , 5%, 1/4W
R757	141144	S/N CT2553 and above: CF, 22 Ω , 5%, 1/4W....(7345)
R758	141144	S/N CT2553 and above: CF, 22 Ω , 5%, 1/4W....(7345)

MISCELLANEOUS

*LS701 098195 Audio Transducer

* Parts marked with an asterisk (*) are replacement parts stocked by our Service Department and must be ordered from McIntosh. These parts must be ordered by part number. Parts not marked may be obtained from electronic parts suppliers.

Q708, Q713
Q714, Q717



PARTS LIST

Symbol No.	Part No.	Description
------------	----------	-------------

DIODES (SIG = Signal, Si = Silicon)

*DB01 070047 Si, SIG, 75V, 10mA, IN4148
 *DSB01 058079 7-Segment Display, MAN72AB
 *DSB02 058061 INC, 14V, 80mA, 7382
 *DSB03 058061 INC, 14V, 80mA, 7382
 *DSB04 058062 INC, 6.3V, 200mA, 7381
 *DSB05 058062 INC, 6.3V, 200mA, 7381
 *DSB06 058062 INC, 6.3V, 200mA, 7381
 *DSB07 058062 INC, 6.3V, 200mA, 7381
 *DSB08 058062 INC, 6.3V, 200mA, 7381
 *DSB09 058061 INC, 14V, 80mA, 7382
 *DSB10 058061 INC, 14V, 80mA, 7382

INTEGRATED CIRCUITS (DG = Digital,

TTL = Transistor-Transistor Logic)
 *ICB01 133090 Dg, TTL, Seven Segment Decoder/latch/driver SN74LS47

RESISTORS (CF = Carbon Film)

RB01 141037 CF, 330Ω, 5%, 1/4W
 RB02 141037 CF, 330Ω, 5%, 1/4W
 RB03 141037 CF, 330Ω, 5%, 1/4W
 RB04 141037 CF, 330Ω, 5%, 1/4W
 RB05 141037 CF, 330Ω, 5%, 1/4W
 RB06 141037 CF, 330Ω, 5%, 1/4W
 RB07 141037 CF, 330Ω, 5%, 1/4W
 RB08 141205 CF, 150Ω, 5%, 1/2W

* Parts marked with an asterisk (*) are replacement parts stocked by our Service Department and must be ordered from McIntosh. These parts must be ordered by part number. Parts not marked may be obtained from electronic parts suppliers.

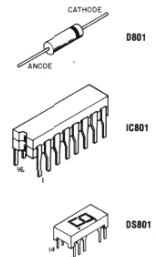


Fig. 8-1. PARTS LOCATION - PC board 045725.

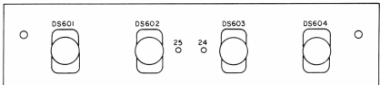
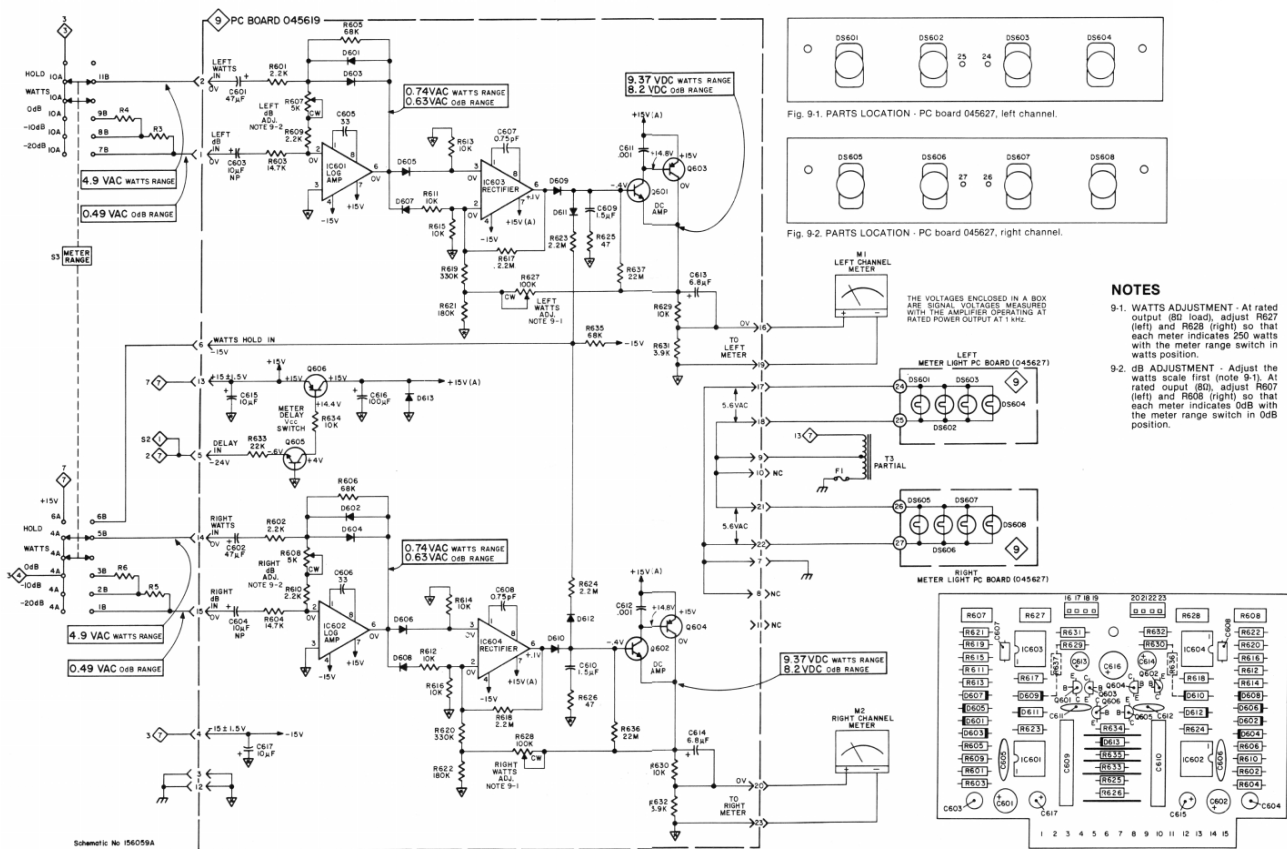


Fig. 9-1. PARTS LOCATION - PC board 045627, left channel.

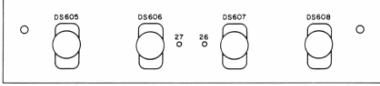
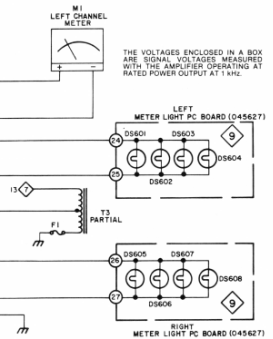


Fig. 9-2. PARTS LOCATION - PC board 045627, right channel.



METER LIGHT PC BOARD (045627)

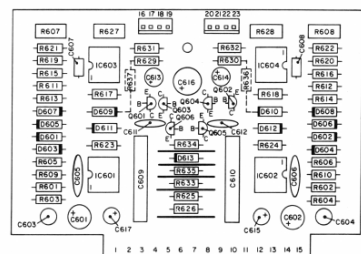


Fig. 9-3. PARTS LOCATION - PC board 045619.

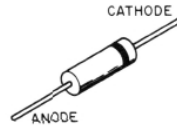
- NOTES**
- 9-1. WATTS ADJUSTMENT - At rated output (8Ω load), adjust R627 (left) and R628 (right) so that each meter indicates 250 watts with the meter range switch in watts position.
 - 9-2. dB ADJUSTMENT - Adjust the watts scale first (note 9-1). At rated output (8Ω), adjust R607 (left) and R608 (right) so that each meter indicates 0dB with the meter range switch in 0dB position.

THE VOLTAGES ENCLOSED IN A BOX ARE SIGNAL VOLTAGES MEASURED WITH THE AMPLIFIER OPERATING AT RATED POWER OUTPUT AT 1 KHZ.

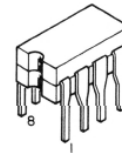
PARTS LIST

Symbol No.	Part No.	Description
CAPACITORS (CD = Ceramic Disc, ELECT = Electrolytic, MPE = Metalized Polyester)		
C601	066215	ELECT, 47 μ F, 16V
C602	066215	ELECT, 47 μ F, 16V
*C603	066316	ELECT, 10 μ F, 25V, NP
*C604	066316	ELECT, 10 μ F, 25V, NP
C605	061016	CD, 33pF, 10%, 500V, NPO
C606	061016	CD, 33pF, 10%, 500V, NPO
*C607	069015	FC, 0.75pF, 10%
*C608	069015	FC, 0.75pF, 10%
C609	064143	MPE, 1.5 μ F, 100V
C610	064143	MPE, 1.5 μ F, 100V
C611	061035	CD, .001 μ F, 20%, 500V, Z5U
C612	061035	CD, .001 μ F, 20%, 500V, Z5U
C613	066290	ELECT, 6.8 μ F, 10%, 25V
C614	066290	ELECT, 6.8 μ F, 10%, 25V
C615	066211	ELECT, 10 μ F, 16V
C616	066226	ELECT, 100 μ F, 16V
C617	066211	ELECT, 10 μ F, 16V
DIODES (SIG = Signal, Si = Silicon)		
*D601	070047	Si, SIG, 75V, 10mA, IN4148
*D602	070047	Si, SIG, 75V, 10mA, IN4148
*D603	070047	Si, SIG, 75V, 10mA, IN4148
*D604	070047	Si, SIG, 75V, 10mA, IN4148
*D605	070047	Si, SIG, 75V, 10mA, IN4148
*D606	070047	Si, SIG, 75V, 10mA, IN4148
*D607	070047	Si, SIG, 75V, 10mA, IN4148
*D608	070047	Si, SIG, 75V, 10mA, IN4148
*D609	070047	Si, SIG, 75V, 10mA, IN4148
*D610	070047	Si, SIG, 75V, 10mA, IN4148
*D611	070047	Si, SIG, 75V, 10mA, IN4148
*D612	070047	Si, SIG, 75V, 10mA, IN4148
*D613	070047	Si, SIG, 75V, 10mA, IN4148
LIGHTING DEVICES (INC = Incandescent)		
*DS601	058055	INC, 6.3V, 250mA, GE259
*DS602	058055	INC, 6.3V, 250mA, GE259
*DS603	058055	INC, 6.3V, 250mA, GE259
*DS604	058055	INC, 6.3V, 250mA, GE259
*DS605	058055	INC, 6.3V, 250mA, GE259
*DS606	058055	INC, 6.3V, 250mA, GE259
*DS607	058055	INC, 6.3V, 250mA, GE259
*DS608	058055	INC, 6.3V, 250mA, GE259
INTEGRATED CIRCUITS (AN = Analog, BP = Bipolar)		
*IC601	133068	AN, BP, Operation Amp, LM201A
*IC602	133068	AN, BP, Operation Amp, LM201A
*IC603	133068	AN, BP, Operation Amp, LM201A
*IC604	133068	AN, BP, Operation Amp, LM201A
TRANSISTORS (Si = Silicon)		
*Q601	132195	Si, NPN, 40V, Low Noise
*Q602	132195	Si, NPN, 40V, Low Noise
*Q603	132056	Si, PNP, 2N5087
*Q604	132056	Si, PNP, 2N5087
*Q605	132143	Si, NPN, MPS-D05
*Q606	132172	Si, PNP, MPS-A55
RESISTORS (CC = Carbon Composition, CF = Carbon Film, MF = Metal Film, POT = Potentiometer)		
R601	141057	CF, 2.2k Ω , 5%, 1/4W
R602	141057	CF, 2.2k Ω , 5%, 1/4W
*R603	144149	MF, 14.7k Ω , 1%, 1/4W
*R604	144149	MF, 14.7k Ω , 1%, 1/4W
R605	141092	CF, 68k Ω , 5%, 1/4W
R606	141092	CF, 68k Ω , 5%, 1/4W
*R607	134387	POT, 5k Ω , 20%
*R608	134387	POT, 5k Ω , 20%
R609	141057	CF, 2.2k Ω , 5%, 1/4W
R610	141057	CF, 2.2k Ω , 5%, 1/4W
R611	141072	CF, 10k Ω , 5%, 1/4W
R612	141072	CF, 10k Ω , 5%, 1/4W
R613	141072	CF, 10k Ω , 5%, 1/4W
R614	141072	CF, 10k Ω , 5%, 1/4W
R615	141072	CF, 10k Ω , 5%, 1/4W
R616	141072	CF, 10k Ω , 5%, 1/4W
R617	141124	CF, 2.2M Ω , 5%, 1/4W
R618	141124	CF, 2.2M Ω , 5%, 1/4W
R619	141108	CF, 330k Ω , 5%, 1/4W
R620	141108	CF, 330k Ω , 5%, 1/4W
R621	141102	CF, 180k Ω , 5%, 1/4W
R622	141102	CF, 180k Ω , 5%, 1/4W
R623	141124	CF, 2.2M Ω , 5%, 1/4W
R624	141124	CF, 2.2M Ω , 5%, 1/4W
R625	141152	CF, 47 Ω , 5%, 1/4W
R626	141152	CF, 47 Ω , 5%, 1/4W
*R627	134383	POT, 100k Ω , 20%
*R628	134383	POT, 100K, 20%
R629	141072	CF, 10k Ω , 5%, 1/4W
R630	141072	CF, 10k Ω , 5%, 1/4W
R631	141062	CF, 3.9k Ω , 5%, 1/4W
R632	141062	CF, 3.9k Ω , 5%, 1/4W
R633	141080	CF, 22k Ω , 5%, 1/4W
R634	141072	CF, 10k Ω , 5%, 1/4W
R635	141092	CF, 68k Ω , 5%, 1/4W
R636	136477	CC, 22M Ω , 10%, 1/4W
R637	136477	CC, 22M Ω , 10%, 1/4W

* Parts marked with an asterisk (*) are replacement parts stocked by our Service Department and must be ordered from McIntosh. These parts must be ordered by part number. Parts not marked may be obtained from electronic parts suppliers.



D601-D613



IC601-IC604



Q601-Q606