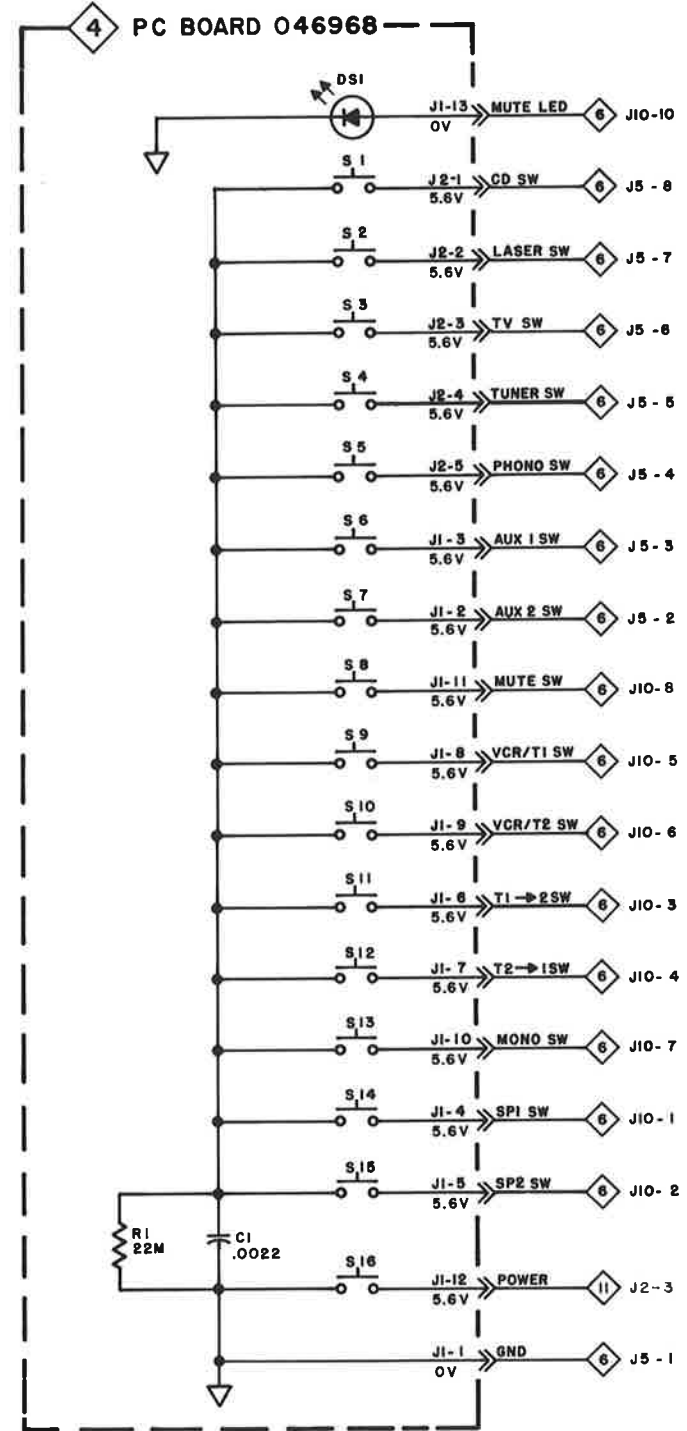
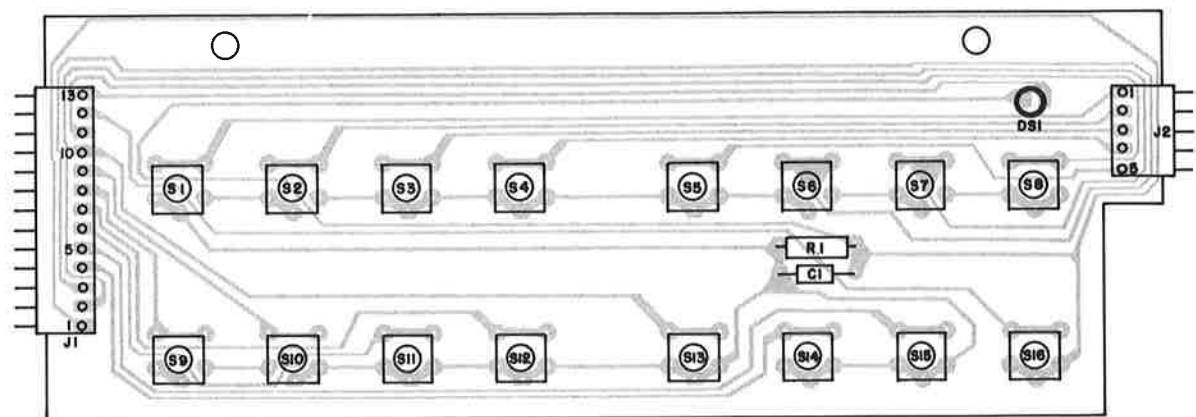
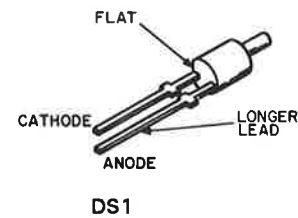


4 Input and Mode Switches



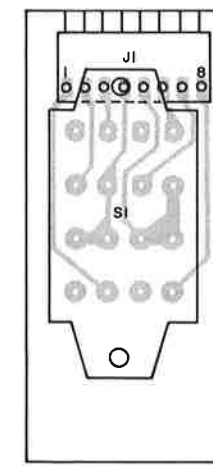
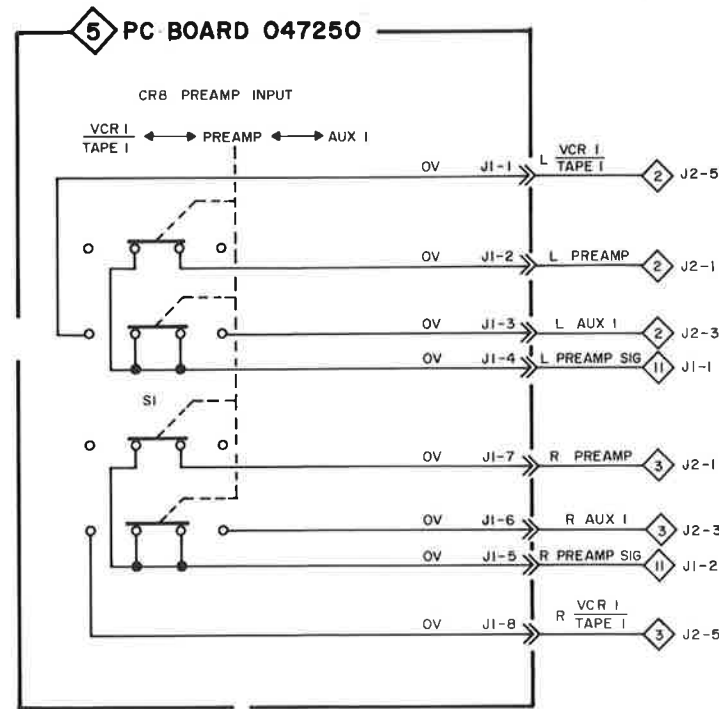
INPUT & MODE SWITCHES PARTS LIST

Symbol	Part	Description
DS1	058078	LED, Red, SLP144B
S1-S16	150051	TACT, Momentary



INPUT AND MODE SWITCHES PCB 046968

5 Remote Selector



REMOTE SELECTOR PCB 047250

REMOTE SELECTOR PARTS LIST

Symbol	Part	Description
S1	148054	Mode Switch

6 Control

CONTROL PARTS LIST

Symbol Part Description

DIODES

D1-D23 070047 SIG, 75V, 150mA, 1N4148

INTEGRATED CIRCUITS

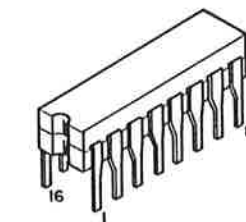
IC1,IC2 133135 CMOS, 4-Bit Register, HEF4076BPN
 IC3-IC6 133053 CMOS, Dual Type-D F-F, MC14013AL
 IC7,IC8 133124 CMOS, Hex Inv, HEF4069UB
 IC9-IC11 133064 CMOS, Quad 2-input NOR Gate, MC14001B
 IC12 133076 CMOS, Quad 2-input AND Gate, MC14081B
 IC13 133123 CMOS, IR Receiver, TC9134P
 IC14,IC16 133137 6-input Strobed Driver, LB1760
 IC15,IC17 133124 CMOS, Hex Inv, HEF4069UB

TRANSISTORS

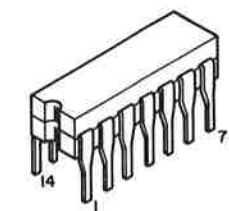
Q1-Q5 132056 PNP, 2N5087
 Q6 132235 NPN, 2SC2240-BL
 Q7 132056 PNP, 2N5087
 Q8-Q10 132235 NPN, 2SC2240-BL
 Q11-Q16 132056 PNP, 2N5087
 Q17-Q20 132223 NPN, MPS4124
 Q21,Q22 132235 NPN, 2SC2240-BL
 Q23 132090 NPN, DAR, MPSA25
 Q24-Q29 132223 NPN, MPS4124
 Q30,Q31 132235 NPN, 2SC2240-BL

CRYSTALS

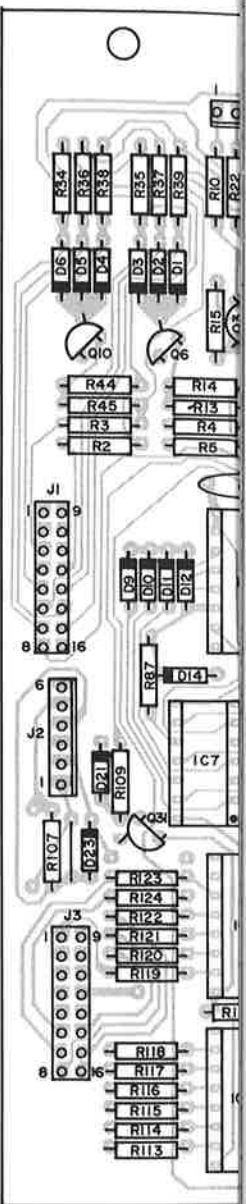
Y1 180033 Ceramic Resonator, 455KHz, ±3%



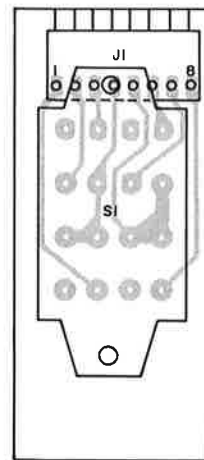
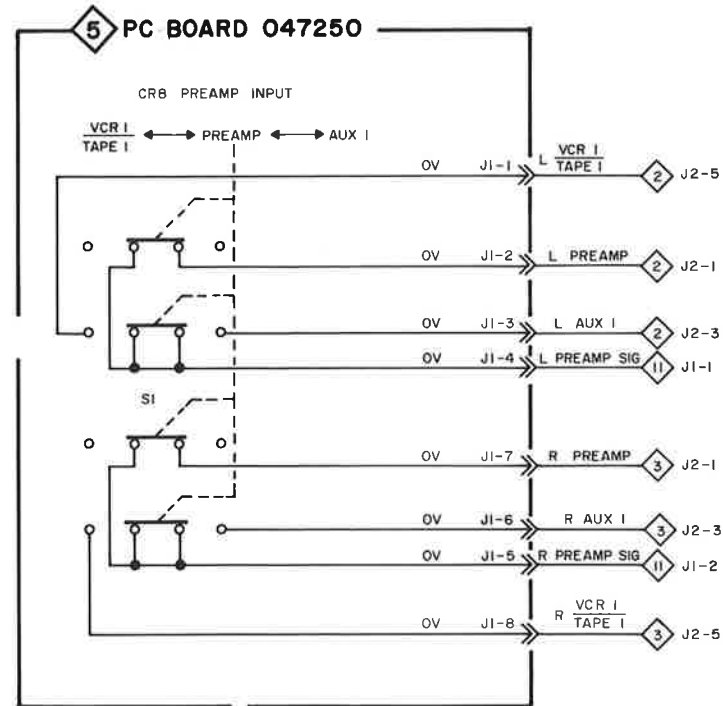
IC1,IC2,IC14, IC16



IC3 - IC12, IC15, IC17



5 Remote Selector



REMOTE SELECTOR PCB 047250

REMOTE SELECTOR PARTS LIST

Symbol	Part	Description
SWITCHES		
S1	148054	Mode Switch

6 Control

CONTROL PARTS LIST

Symbol Part Description

DIODES

D1-D23 070047 SIG, 75V, 150mA, 1N4148

INTEGRATED CIRCUITS

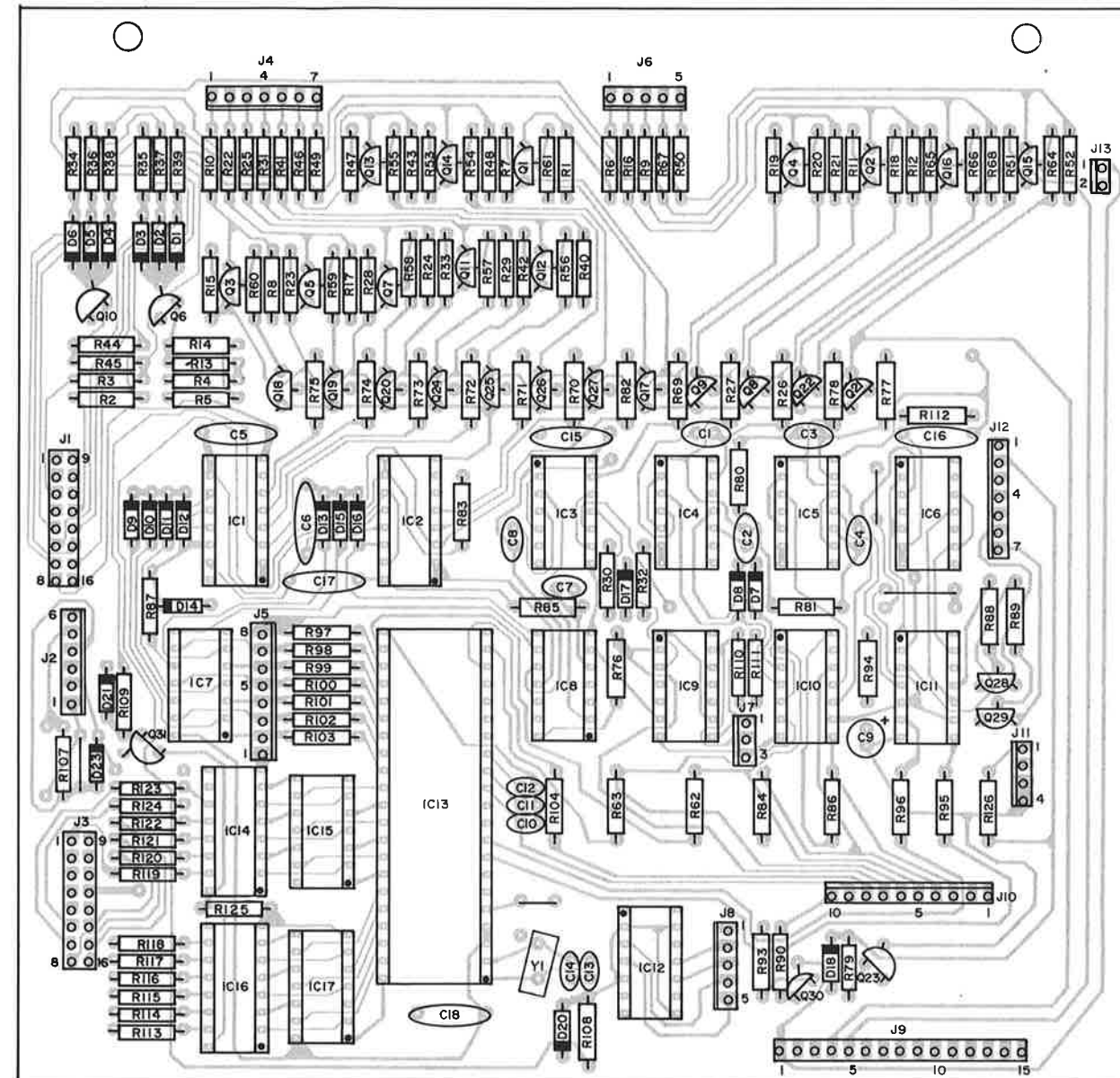
IC1,IC2 133135 CMOS, 4-Bit Register, HEF4076BPN
 IC3-IC6 133053 CMOS, Dual Type-D F-F, MC14013AL
 IC7,IC8 133124 CMOS, Hex Inv, HEF4069UB
 IC9-IC11 133064 CMOS, Quad 2-input NOR Gate, MC14001B
 IC12 133076 CMOS, Quad 2-input AND Gate, MC14081B
 IC13 133123 CMOS, IR Receiver, TC9134P
 IC14,IC16 133137 6-input Strobed Driver, LB1760
 IC15,IC17 133124 CMOS, Hex Inv, HEF4069UB

TRANSISTORS

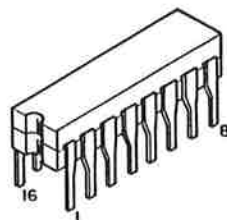
Q1-Q5 132056 PNP, 2N5087
 Q6 132235 NPN, 2CS2240-BL
 Q7 132056 PNP, 2N5087
 Q8-Q10 132235 NPN, 2SC2240-BL
 Q11-Q16 132056 PNP, 2N5087
 Q17-Q20 132223 NPN, MPS4124
 Q21,Q22 132235 NPN, 2SC2240-BL
 Q23 132090 NPN, DAR, MP5A25
 Q24-Q29 132223 NPN, MPS4124
 Q30,Q31 132235 NPN, 2SC2240-BL

CRYSTALS

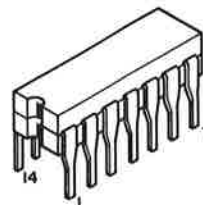
Y1 180033 Ceramic Resonator, 455KHz, ±3%



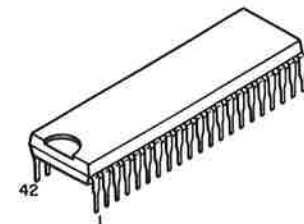
CONTROL PCB 047229



IC1,IC2,IC14,
IC16



IC3 - IC12
IC15, IC17



IC13

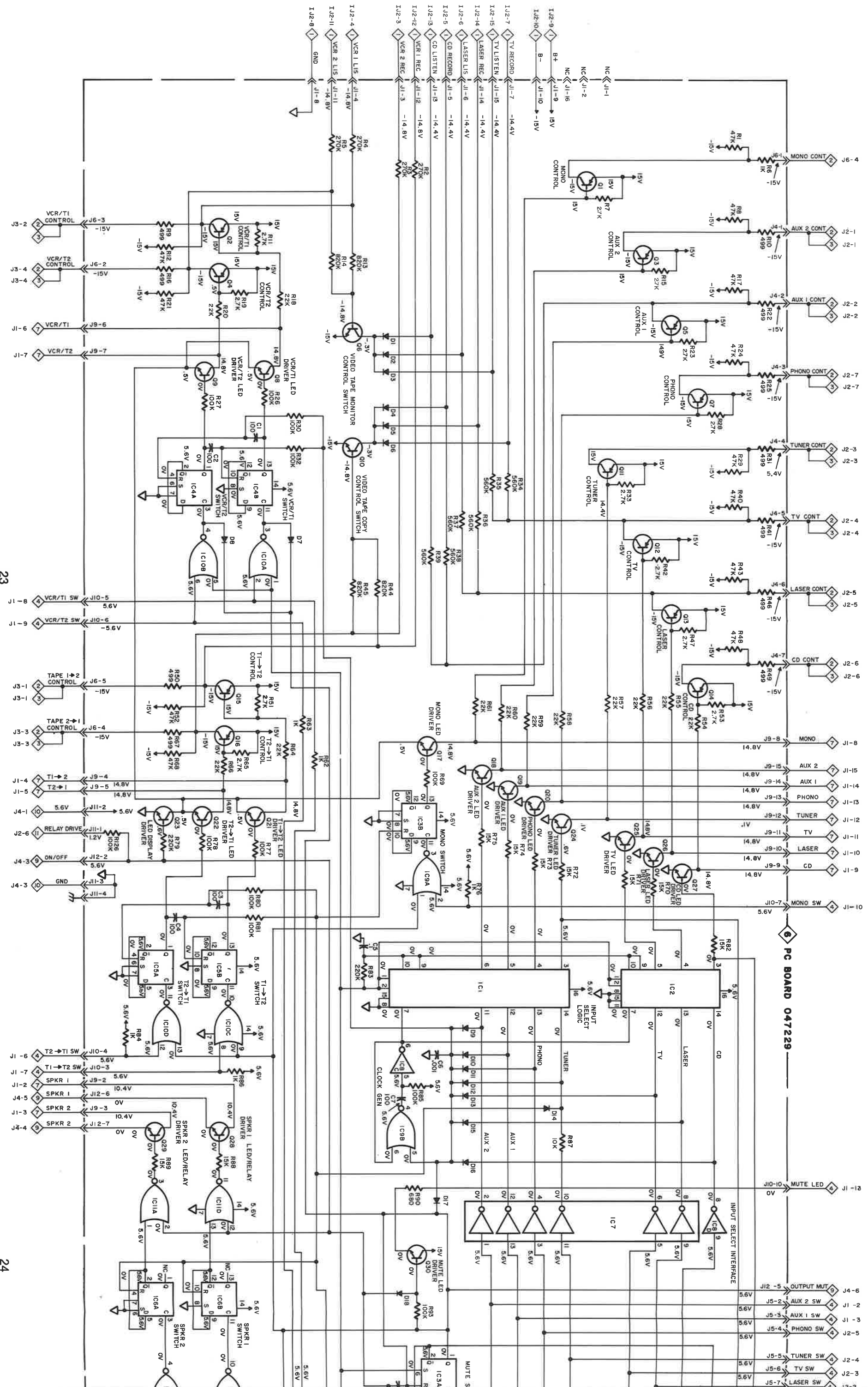


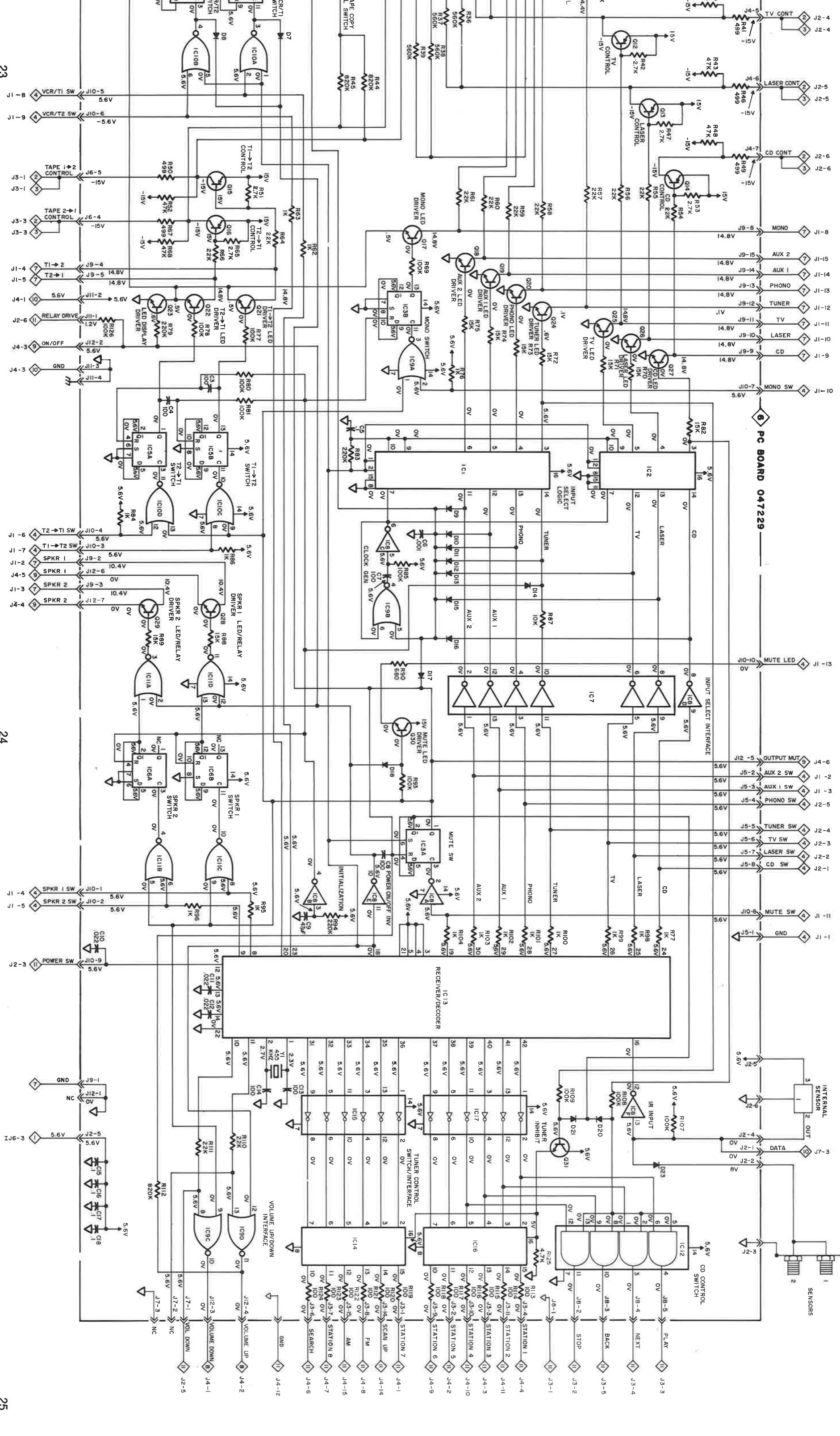
Q1-Q5,Q7
Q11-Q20,
Q23-Q29

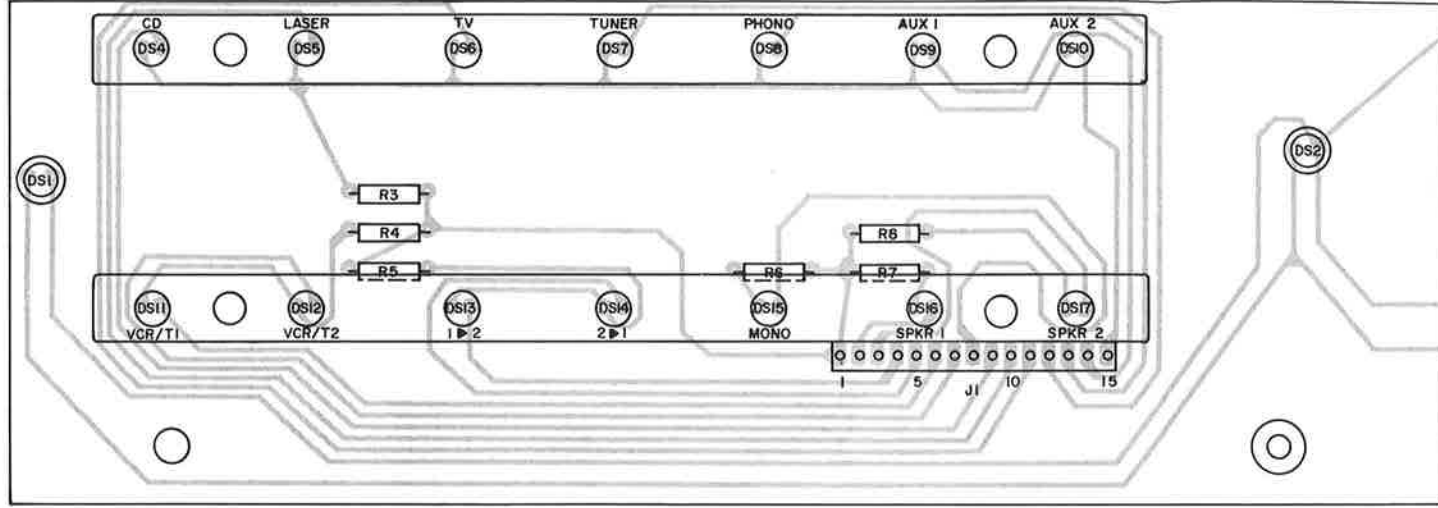
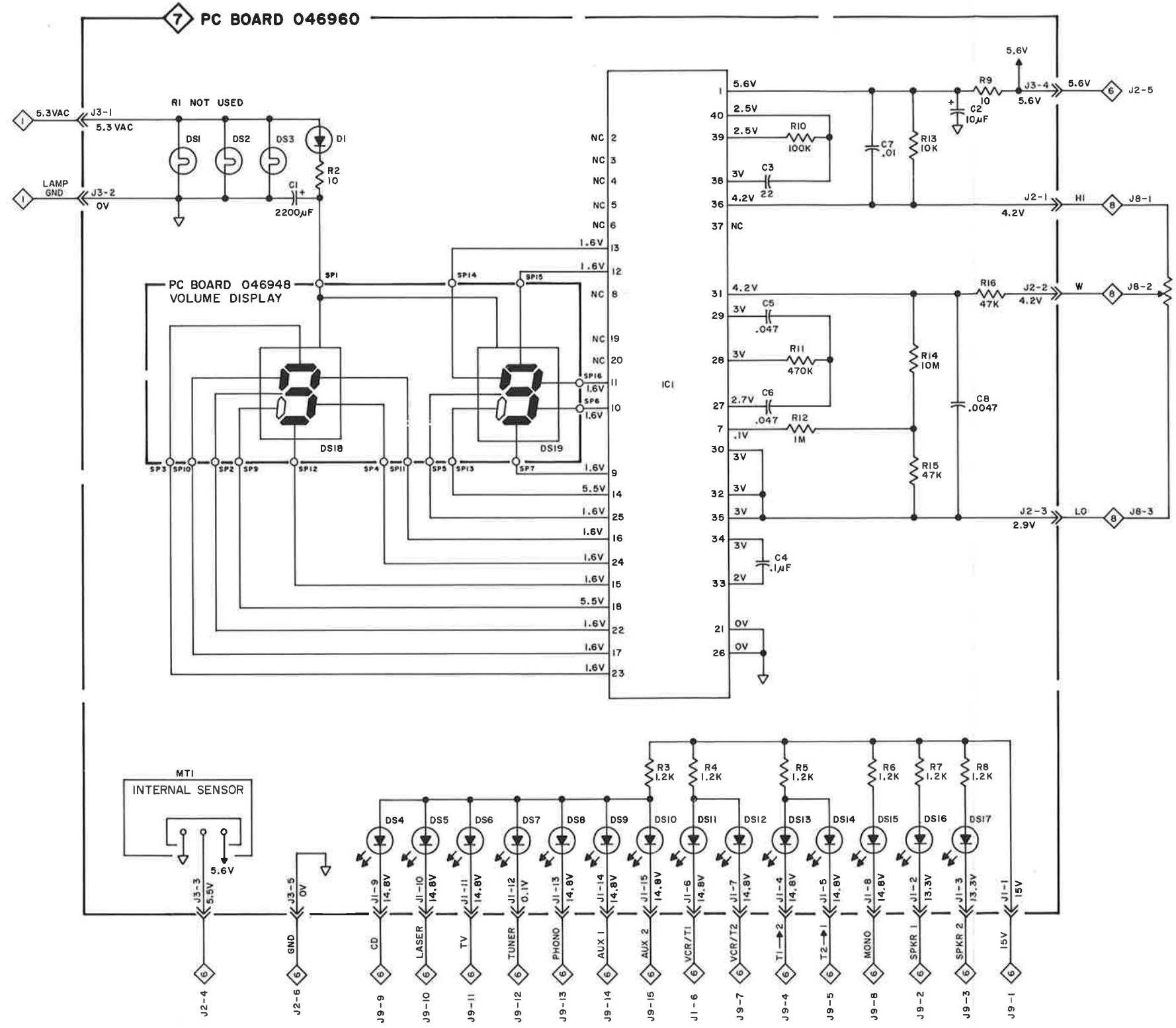


Q6,Q8-Q10,
Q21,Q22
Q30,Q31

Control 6



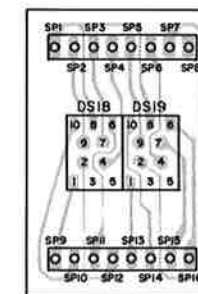
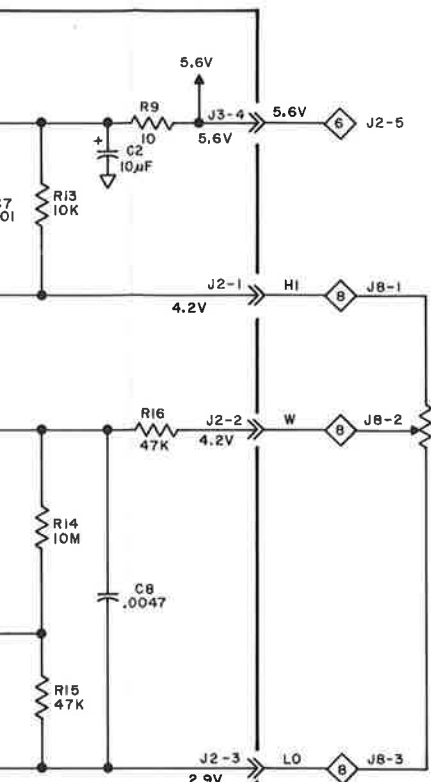




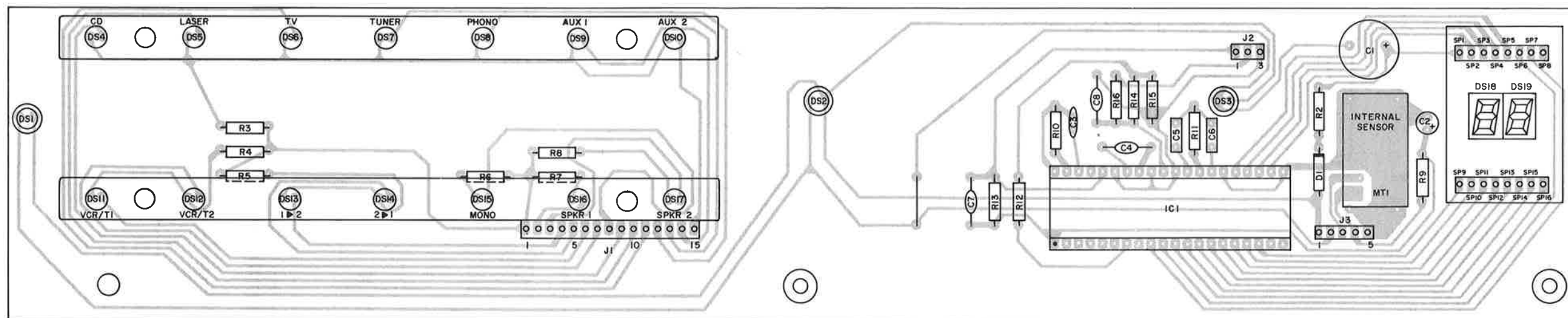
STATUS DISPLAY PCB 046960

STATUS DISPLAY PARTS LIST

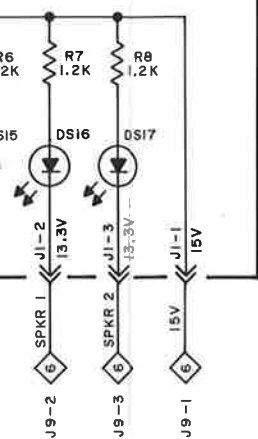
Symbol	Part	Description
DIODES		
D1	070131	RECT, 400V, 1A, 1N4004
LIGHTING DEVICES		
DS1-DS3	058062	INC, 6.3V, 7381
DS4-DS17	070093	LED, Red, HP5082-4658
DS18,DS19	058093	LED, 7-Segment Display
INTEGRATED CIRCUITS		
IC1	133152	3-1/2 Digit A/D Converter
SENSORS		
MT1	121010	Sensor, IR



VOLUME DISPLAY PCB 046948

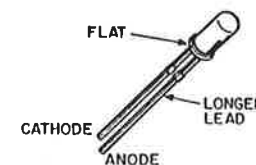


STATUS DISPLAY PCB 046960



STATUS DISPLAY PARTS LIST

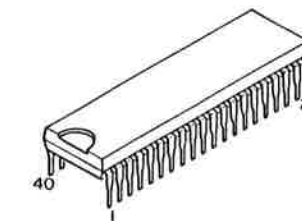
Symbol	Part	Description
DIODES		
D1	070131	RECT, 400V, 1A, 1N4004
LIGHTING DEVICES		
DS1-DS3	058062	INC, 6.3V, 7381
DS4-DS17	070093	LED, Red, HP5082-4658
DS18, DS19	058093	LED, 7-Segment Display
INTEGRATED CIRCUITS		
IC1	133152	3-1/2 Digit A/D Converter
SENSORS		
MT1	121010	Sensor, IR



DS4-DS17

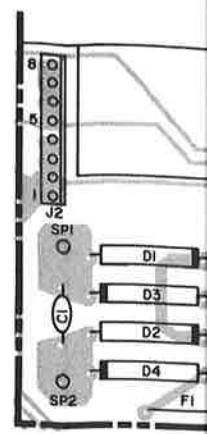
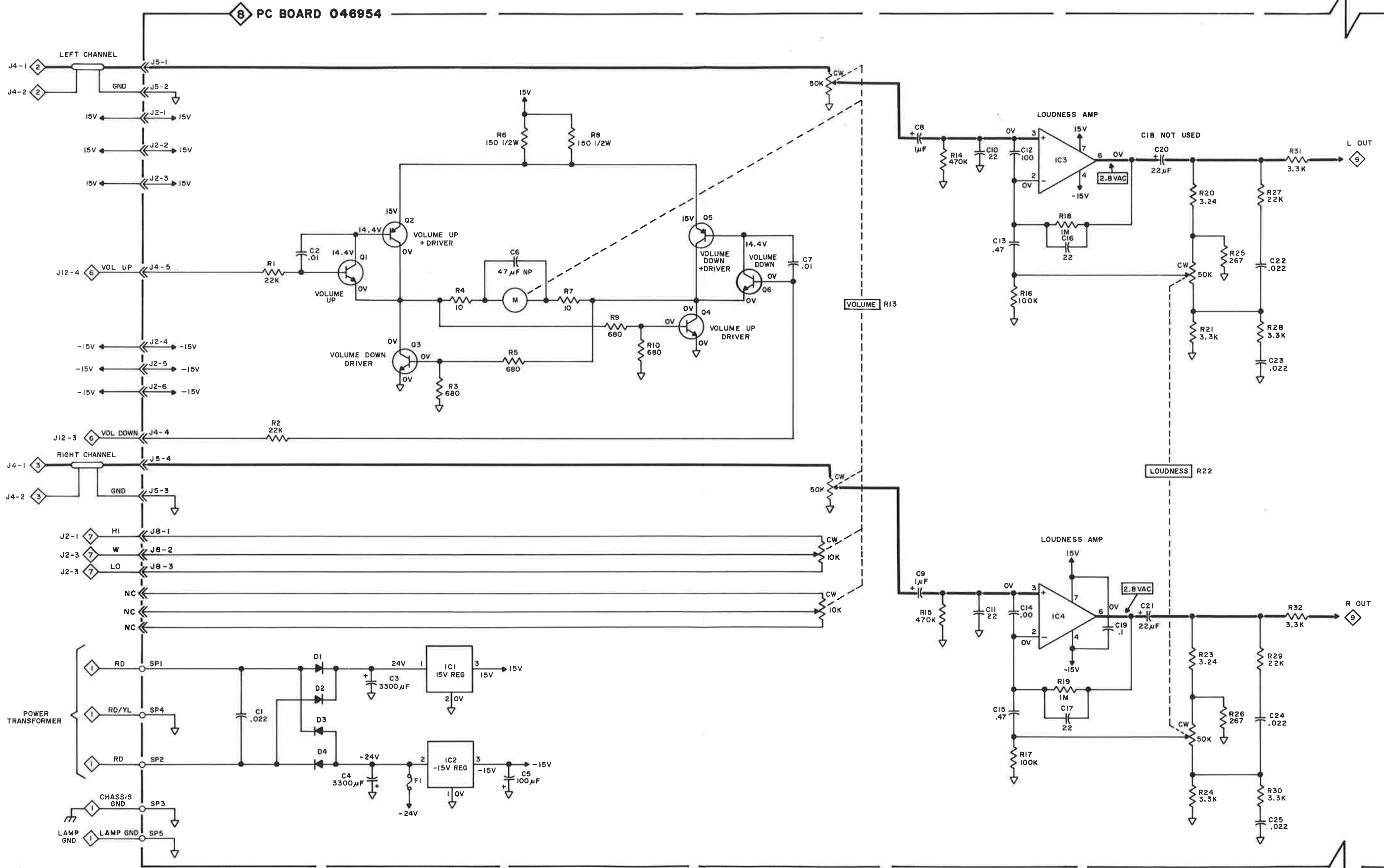


DS18, DS19



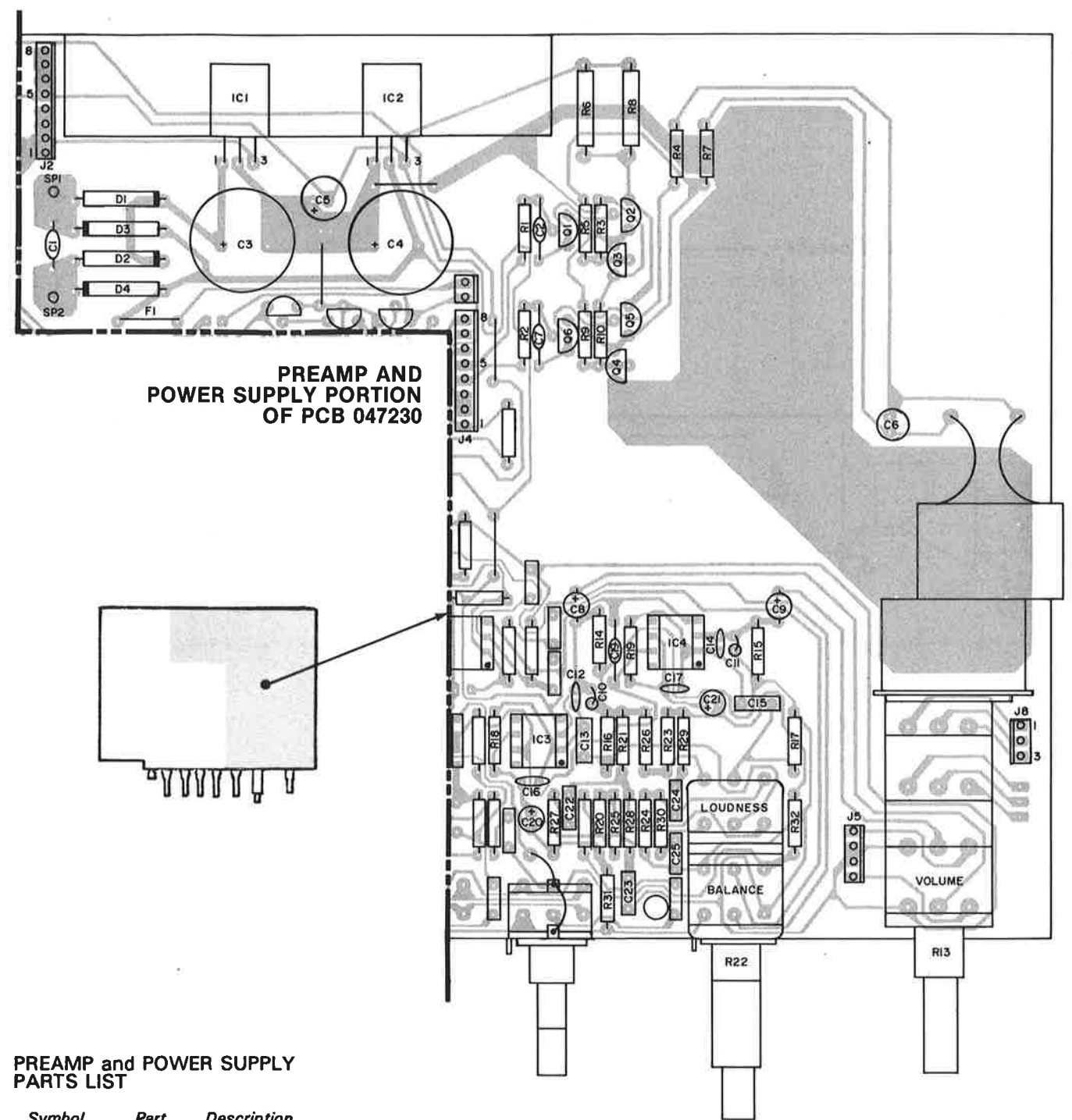
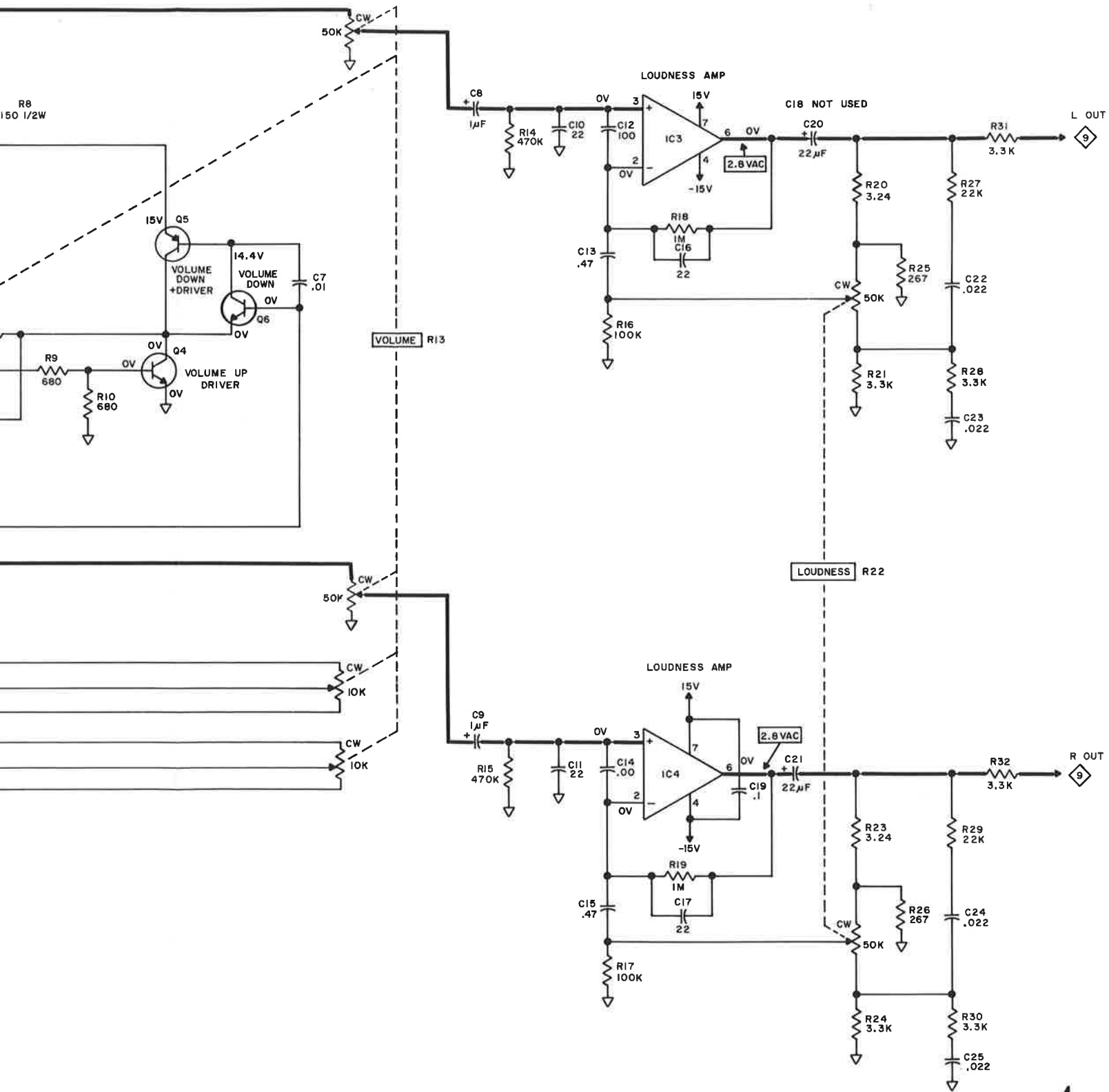
IC1

Preamp and Power Supply



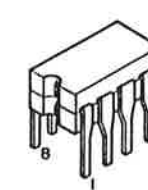
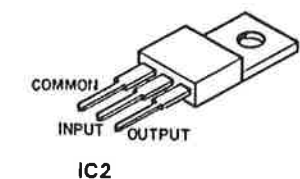
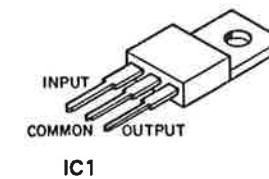
PREAMP and PO PARTS LIST

Symbol	Part
DIODES	
D1-D4	070
FUSES	
F1	174
INTEGRATED CIRCUITS	
IC1	133
IC2	133
IC3,IC4	133
TRANSISTORS	
Q1,Q3	132
Q2	132
Q4,Q6	132
Q5	132
RESISTORS	
R13	134
R22	134



PREAMP and POWER SUPPLY PARTS LIST

Symbol	Part	Description
DIODES		
D1-D4	070131	RECT, 400V, 1A 1N4004
FUSES		
F1	174198	Fuse, 36 Guage Tinned Copper Wire
INTEGRATED CIRCUITS		
IC1	133154	+15V Regulator, MC78M15CT
IC2	133153	-15V Regulator, MC79M15CT
IC3,IC4	133066	Operational Amp, NE5534N
TRANSISTORS		
Q1,Q3	132223	NPN, MPS4124
Q2	132224	PNP, MPS4126
Q4,Q6	132223	NPN, MPS4124
Q5	132224	PNP, MPS4126
RESISTORS		
R13	134445	POT, Motor Driven Volume Control
R22	134437	POT, Balance/Loudness



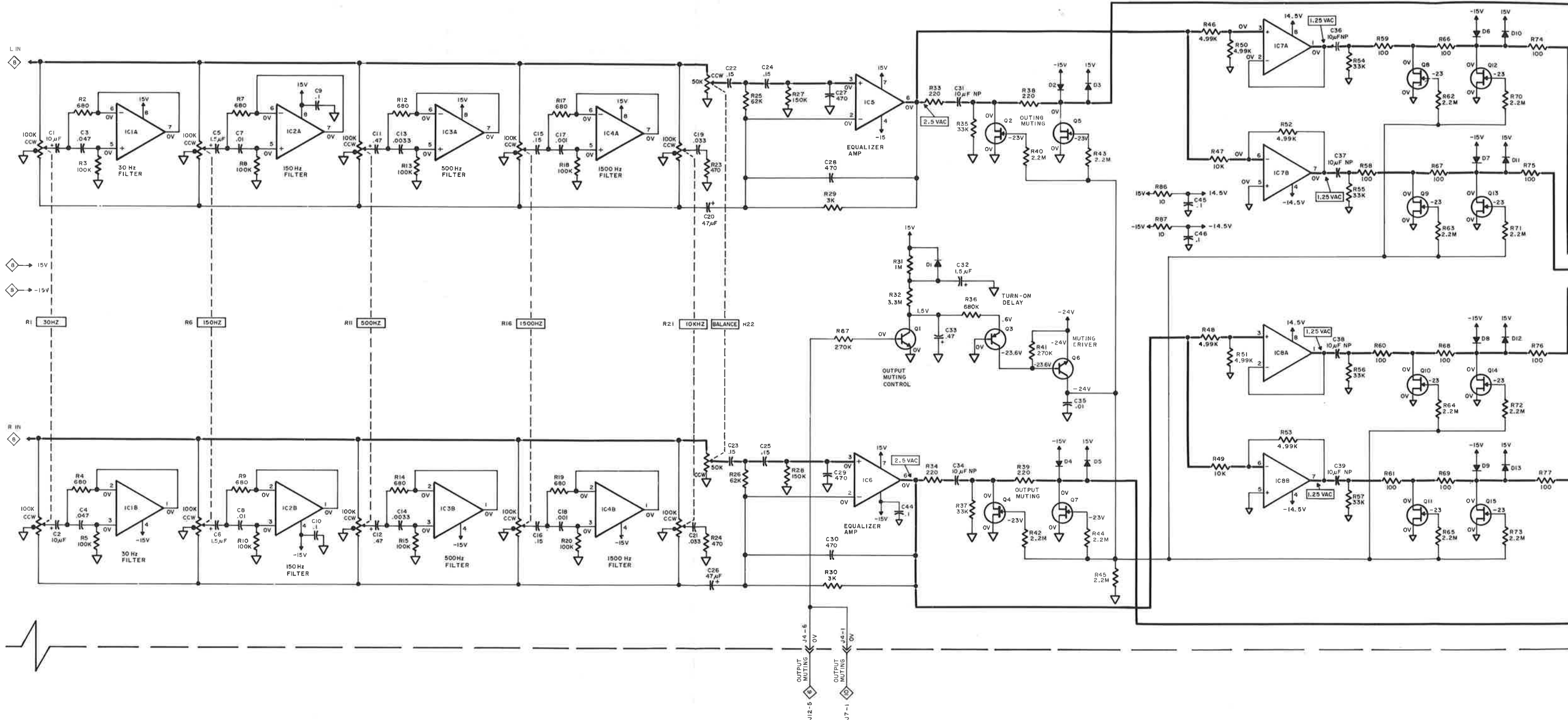
IC3,IC4

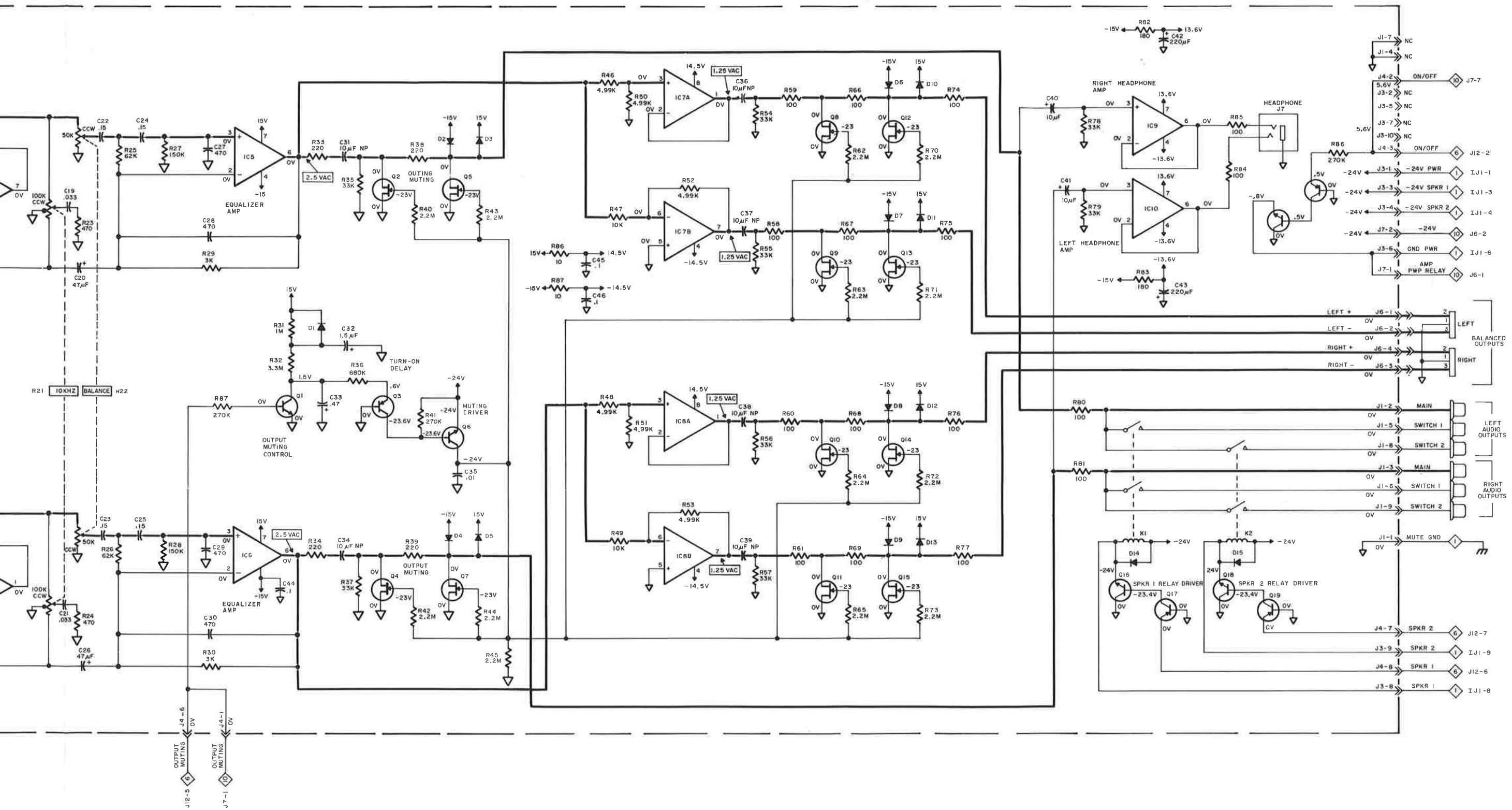
Q1-Q6

9 Outputs

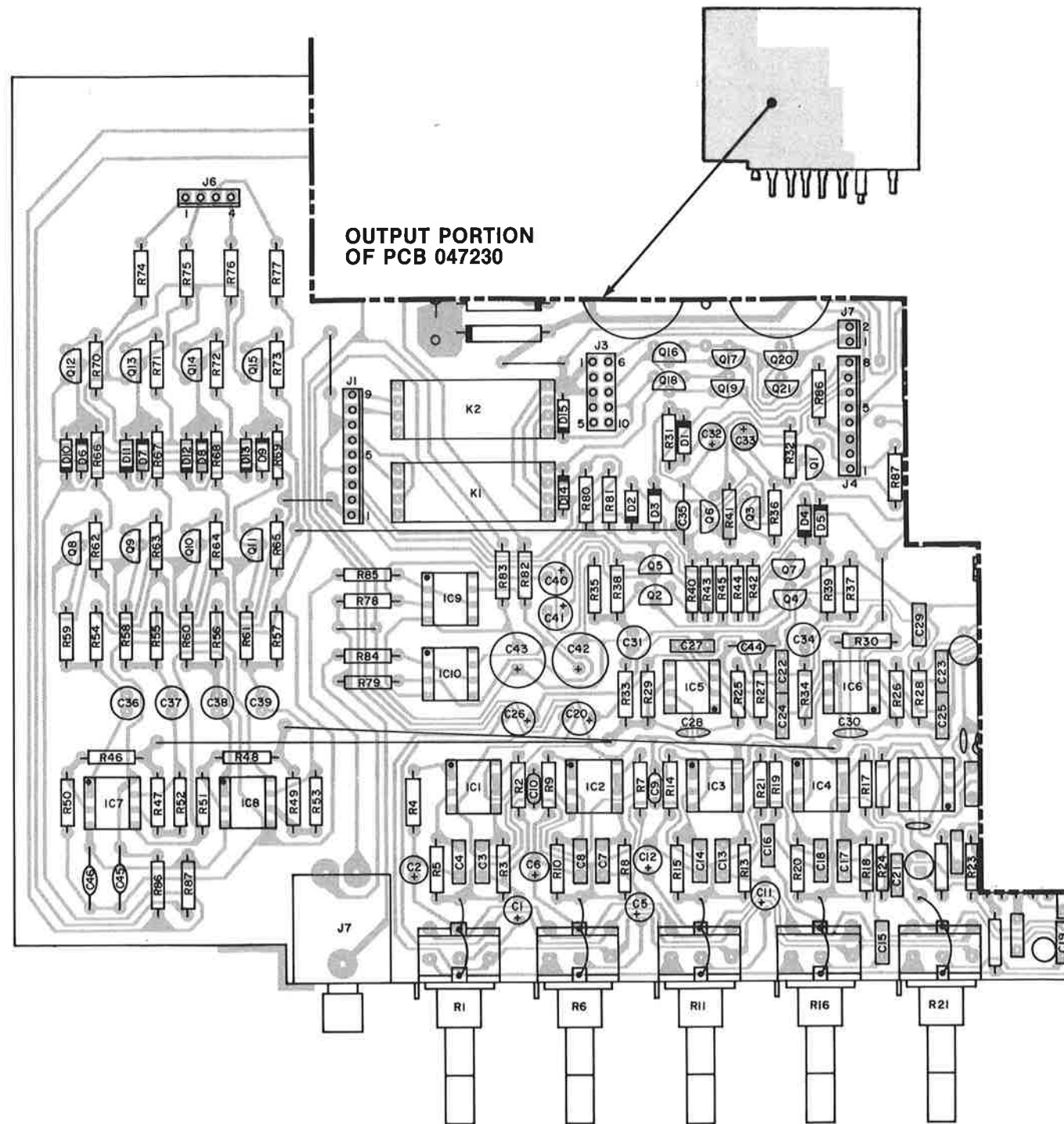
9

PC BOARD 046954





Outputs 9



OUTPUTS PARTS LIST

Symbol Part Description

DIODES

D1-D15 070047 SIG, 150mA, 1N4148

INTEGRATED CIRCUITS

IC1-IC4 133028 Dual Hi-speed Operational Amp, MC4558CP1
 IC5,IC6 133066 Operational Amp, NE5534N
 IC7,IC8 133094 Dual Operational Amp, NE5532N
 IC9,IC10 133066 Operational Amp, NE5534N

JACKS

J7 117340 Headphone Jack

RELAYS

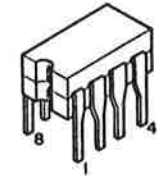
K1,K2 087041 DPST, 12VDC, REED

TRANSISTORS

Q1 132235 NPN, 2SC2240-BL
 Q2 132222 N, FET, J108
 Q3 132056 PNP, 2N5087
 Q4,Q5 132222 N, FET, J108
 Q6 132235 NPN, 2SC2240-BL
 Q7-Q15 132222 N, FET, J108
 Q16,Q18 132171 NPN, MPSA05
 Q17,Q19 132056 PNP, 2N5087
 Q20,Q21 132056 PNP, 2N5087

RESISTORS

R1,R6 134316 POT, 100K ohm/100K ohm, Equalizer
 R11,R16 134316 POT, 100K ohm/100K ohm, Equalizer
 R21 134316 POT, 100K ohm/100K ohm, Equalizer



IC1-IC10



Q1,Q6



Q2,Q4,Q5, Q7-Q15

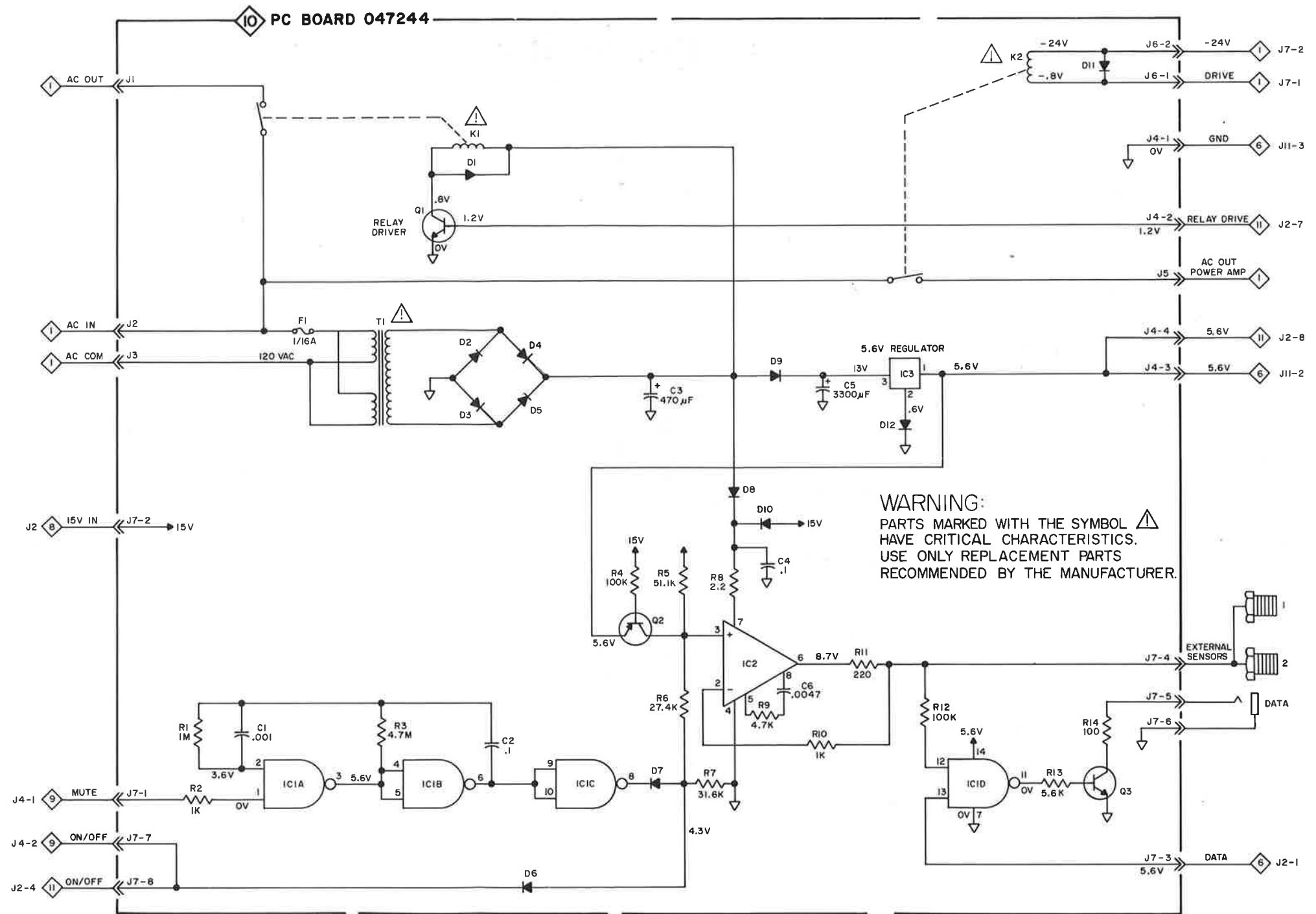



Q3,Q16-Q21

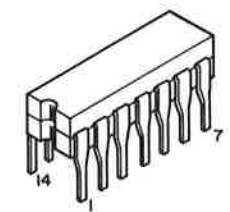
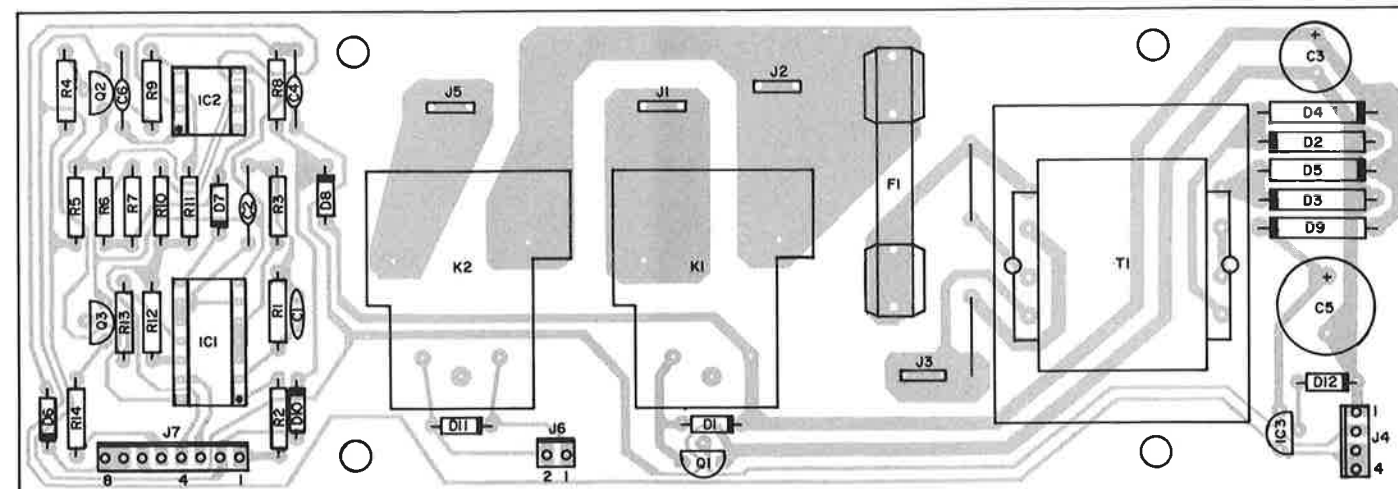
10 Backup Power Supply

BACK UP POWER SUPPLY PARTS LIST

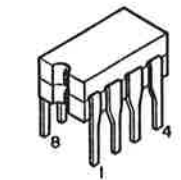
Symbol	Part	Description
DIODES		
D1	070047	SIG, 75V, 150mA, 1N4148
D2-D5	070131	RECT, 400V, 1A, 1N4004
D6-D8	070047	SIG, 75V, 150mA, 1N4148
D9	070131	RECT, 400V, 1A, 1N4004
D10-D12	070047	SIG, 75V, 150mA, 1N4148
FUSES		
F1	089047	Fuse, FA, 1/16A, 250V
INTEGRATED CIRCUITS		
IC1	133161	QUAD 2-input NAND Gate, 74HC00N
IC2	133066	Operational Amp, NE5534N
IC3	133093	+5V Regulator, MC78L05ACP
RELAYS		
K1	087054	SPST, 12VDC, JT1AE-DC12V
K2	087053	SPST, 24VDC, JT1AE-DC24V
TRANSISTORS		
Q1	132090	NPN, DAR, MPSA25
Q2	132224	PNP, MPS4126
Q3	132223	NPN, MPS4124
TRANSFORMERS		
T1	159195	POWER



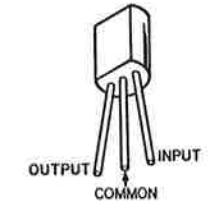
WARNING:
PARTS MARKED WITH THE SYMBOL  HAVE CRITICAL CHARACTERISTICS. USE ONLY REPLACEMENT PARTS RECOMMENDED BY THE MANUFACTURER.



IC1



IC2

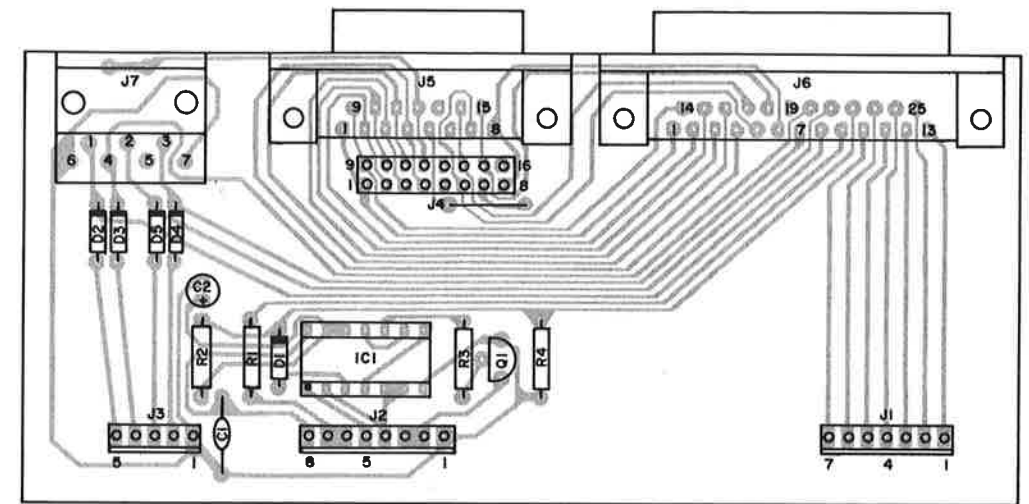
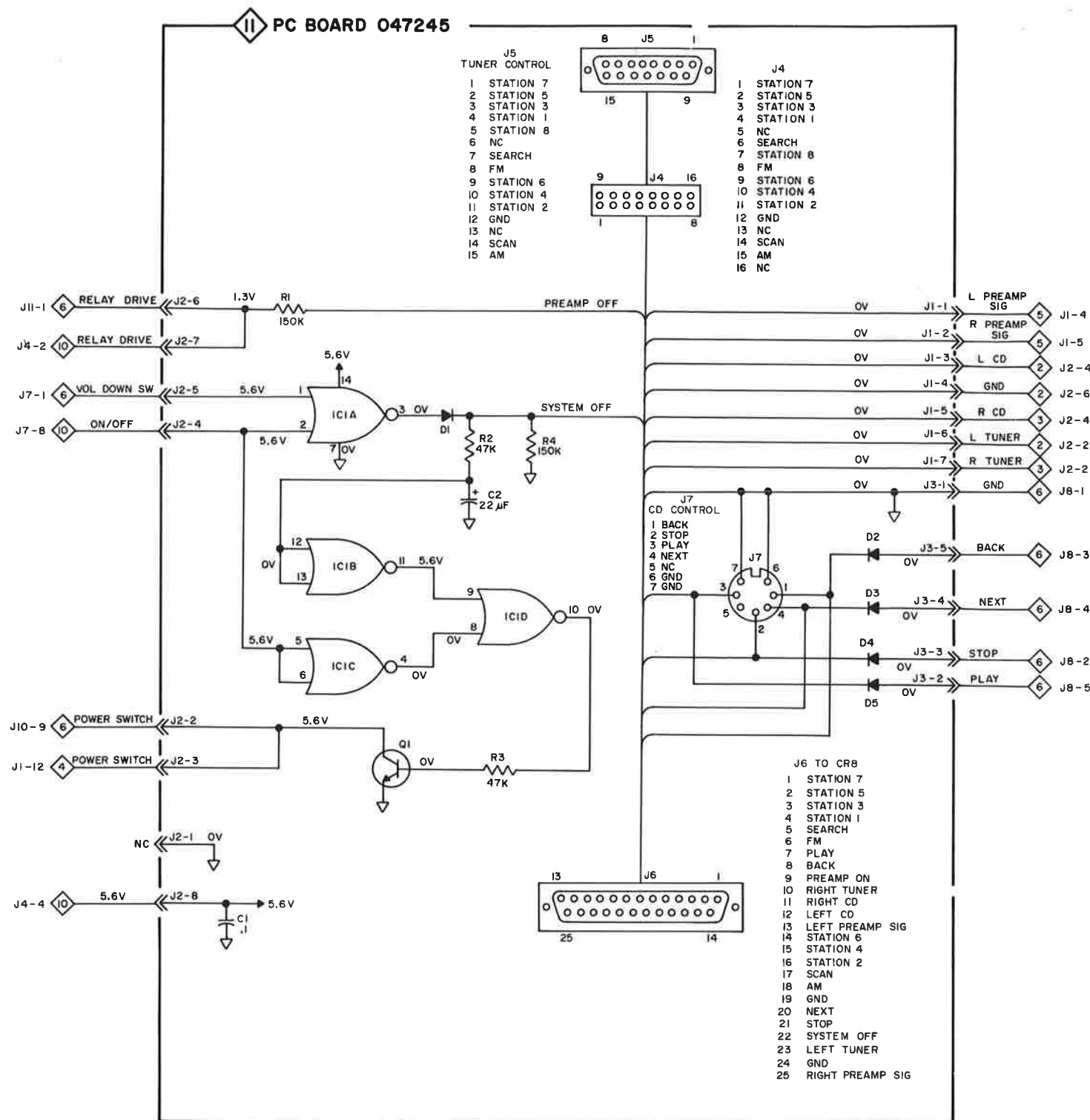


IC3



Q1-Q3

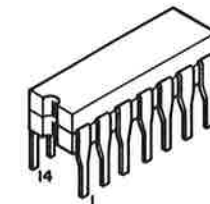
Remote 11



REMOTE PCB 047245

REMOTE PARTS LIST

Symbol	Part	Description
DIODES		
D1-D5	070047	SIG, 75V, 150mA, 1N4148
INTEGRATED CIRCUITS		
IC1	133064	CMOS, Quad 2-input Nor Gate, MC14001B
TRANSISTORS		
Q1	132223	NPN, MPS4124



IC1



Q1

Repacking Instructions

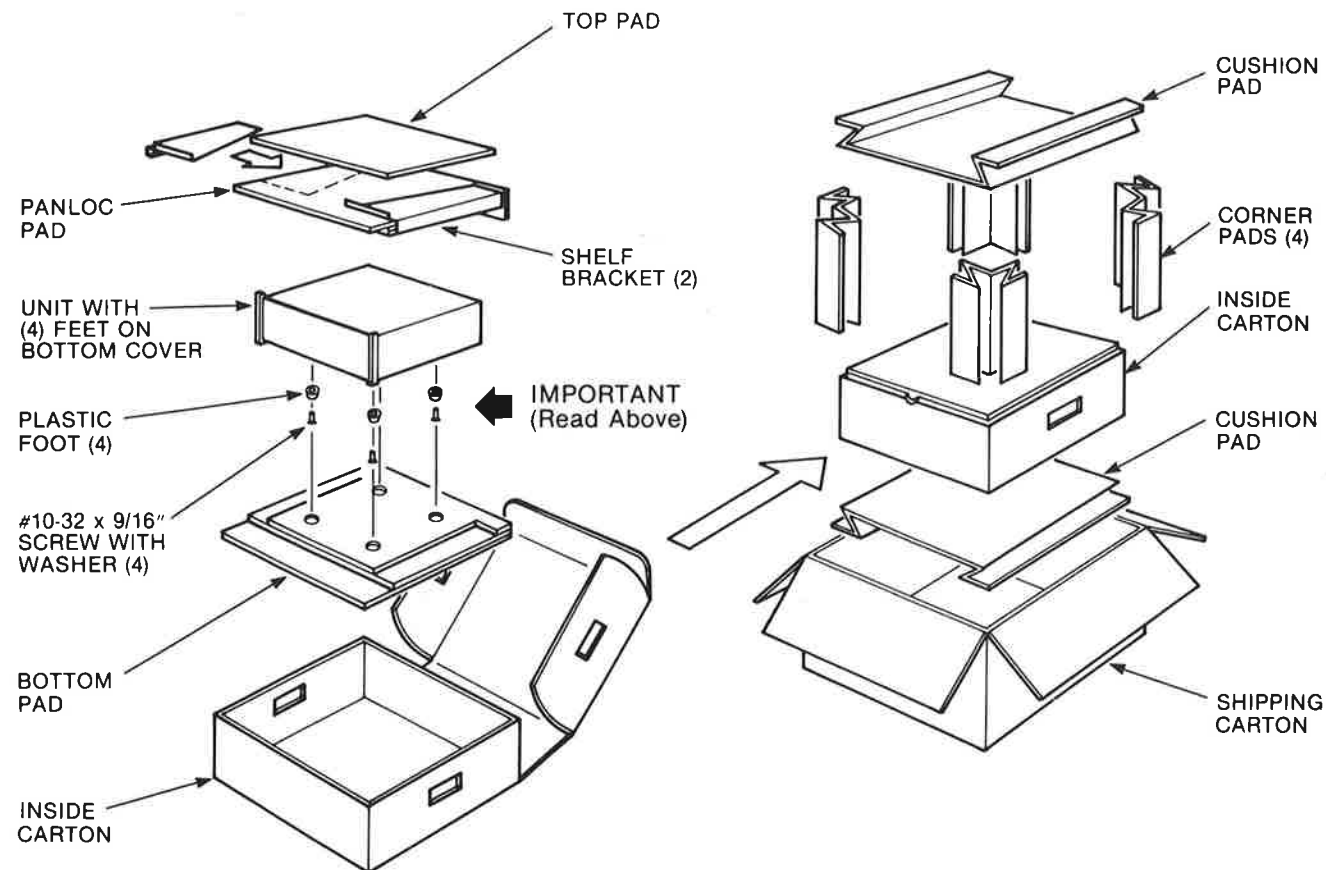
In the event it is necessary to repack the unit for shipment, the unit must be packed exactly as shown below. The shelf brackets do not have to be included in the carton for the unit to be packed properly, but their position in the carton is indicated.

IMPORTANT - The four plastic feet must be attached to the bottom of the unit so they will locate in the four holes of the bottom pad. Failure to do this will result in shipping damage.

If a shipping carton or any of the interior parts is needed, please call or write the Customer Service Department of McIntosh Laboratory. Order parts from the accompanying list by part number.

Use the original shipping carton and interior parts only if they are all in good serviceable condition.

Qty	Part No.	Description
1	033466	Shipping carton only
2	033332	Cushion pad
4	033333	Corner pad
1	033118	Inside carton only
1	033331	Top pad
1	033330	Panloc pad
1	033566	Bottom pad
4	017218	Plastic foot, 1" high
4	100159	#10-32 x 3/4 Machine screw
4	104080	#10 Flat washer
1	047315	Shipping carton complete with all the above parts



McIntosh[®] C37 SYSTEM CONTROL CENTER

The continuous improvement of its products is the policy of McIntosh Laboratory Incorporated, who reserve the right to improve design without notice. Because of the constant upgrading of McIntosh products' circuitry and components, the Company cannot insure, and does not warrant, the accuracy of the within schematic material, which is intended for information only.

McIntosh Laboratory Inc. 2 Chambers Street Binghamton, NY 13903-2699

Part No. 039814

Printed in U.S.A.

Telephone (607)723-3512