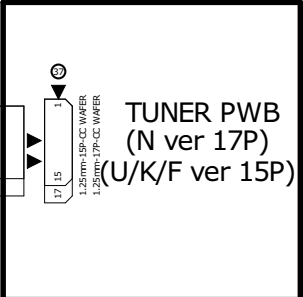
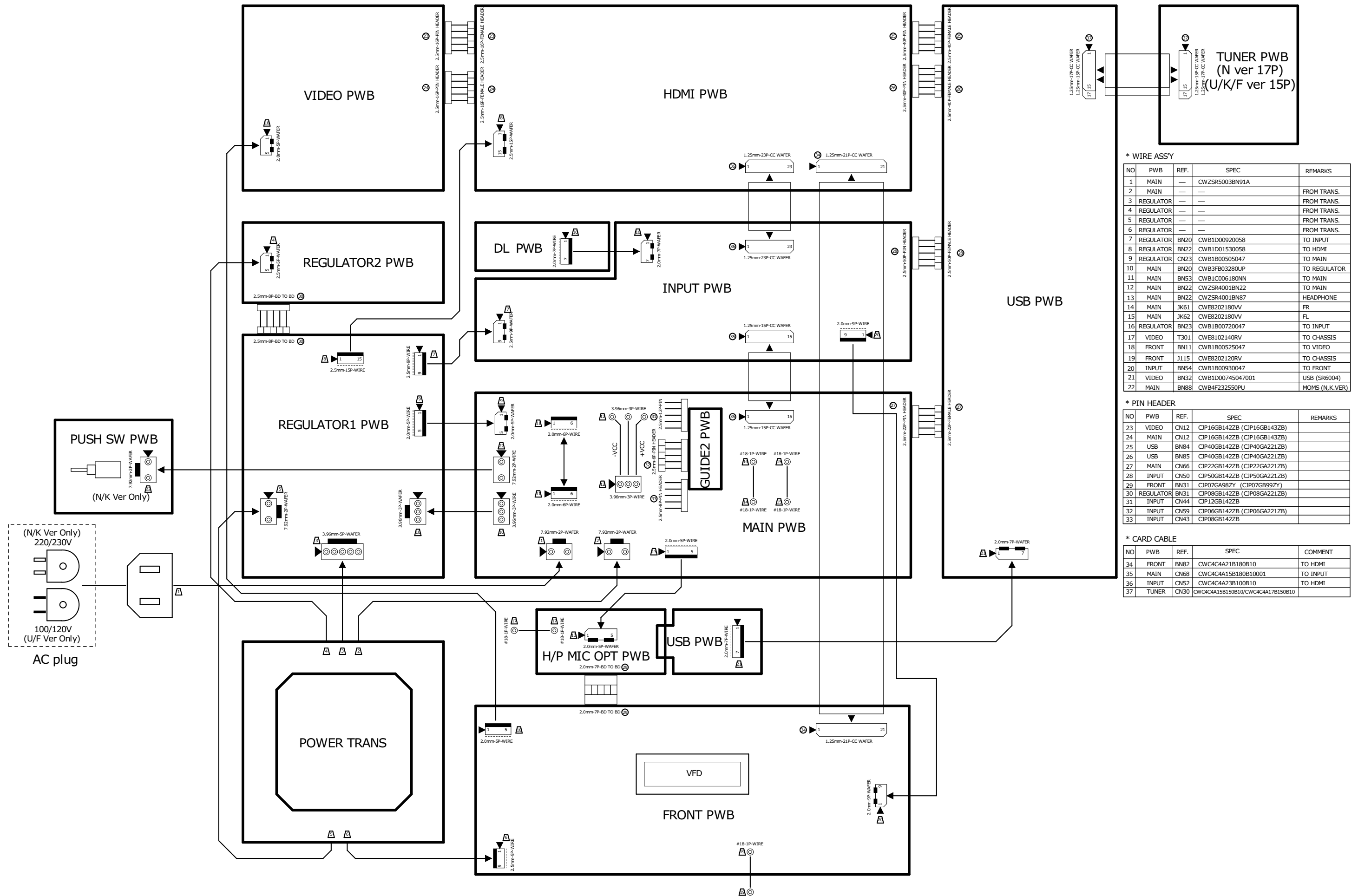


10. WIRING DIAGRAM



*** WIRE ASSY**

NO	PWB	REF.	SPEC	REMARKS
1	MAIN	—	CWZSR5003BN91A	
2	MAIN	—	—	FROM TRANS.
3	REGULATOR	—	—	FROM TRANS.
4	REGULATOR	—	—	FROM TRANS.
5	REGULATOR	—	—	FROM TRANS.
6	REGULATOR	—	—	FROM TRANS.
7	REGULATOR	BN20	CWB1D00920058	TO INPUT
8	REGULATOR	BN22	CWB1D01530058	TO HDMI
9	REGULATOR	CN23	CWB1B00505047	TO MAIN
10	MAIN	BN20	CWB3FB03280UP	TO REGULATOR
11	MAIN	BN53	CWB1C006180NN	TO MAIN
12	MAIN	BN22	CWZSR4001BN22	TO MAIN
13	MAIN	BN22	CWZSR4001BN87	HEADPHONE
14	MAIN	JK61	CWE8202180VV	FR
15	MAIN	JK62	CWE8202180VV	FL
16	REGULATOR	BN23	CWB1B00720047	TO INPUT
17	VIDEO	T301	CWE8102140RV	TO CHASSIS
18	FRONT	BN11	CWB1B00525047	TO VIDEO
19	FRONT	J115	CWE8202120RV	TO CHASSIS
20	INPUT	BN54	CWB1B00930047	TO FRONT
21	VIDEO	BN32	CWB1D00745047001	USB (SR6004)
22	MAIN	BN88	CWB4F232550PU	MOMS (N,K.VER)

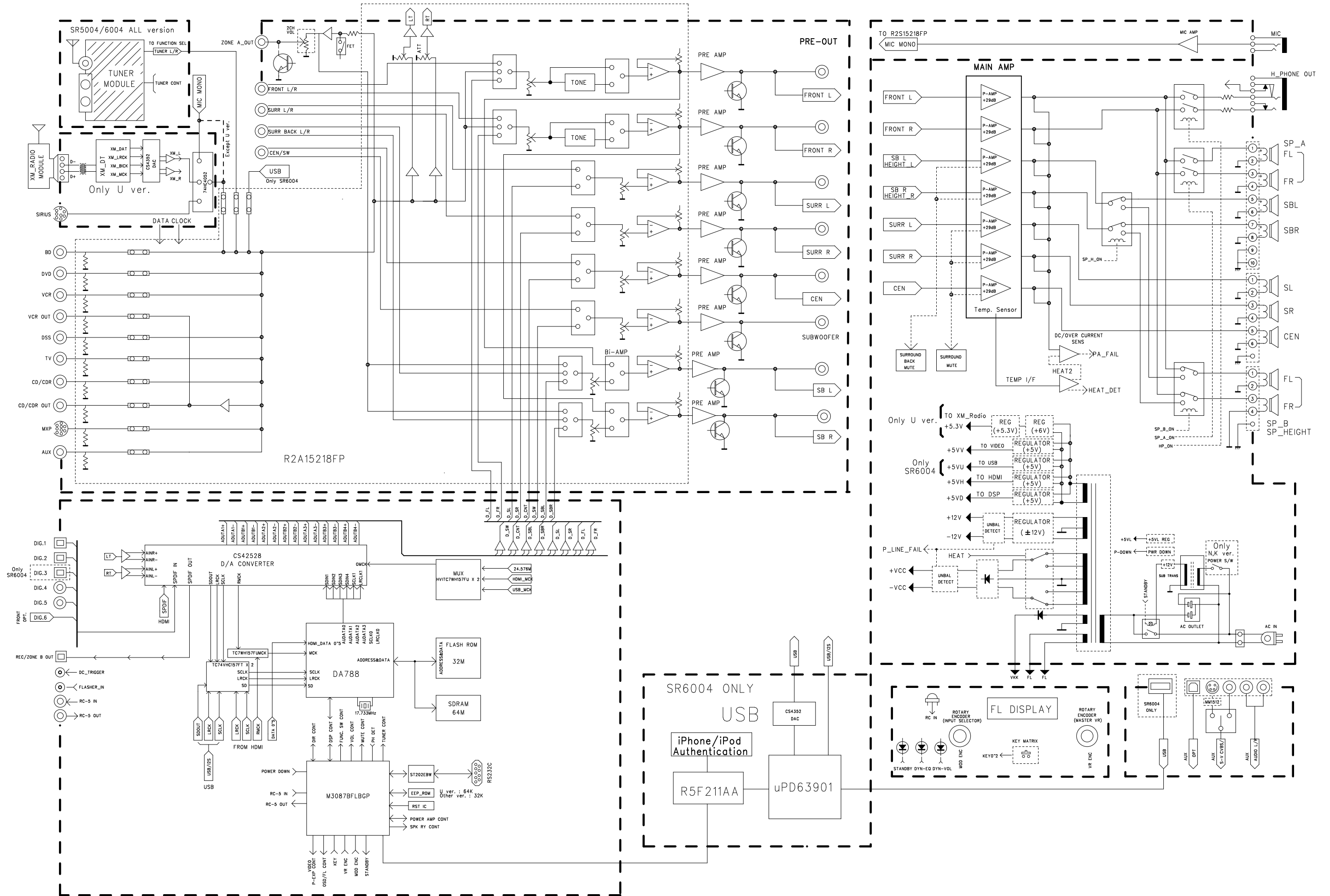
*** PIN HEADER**

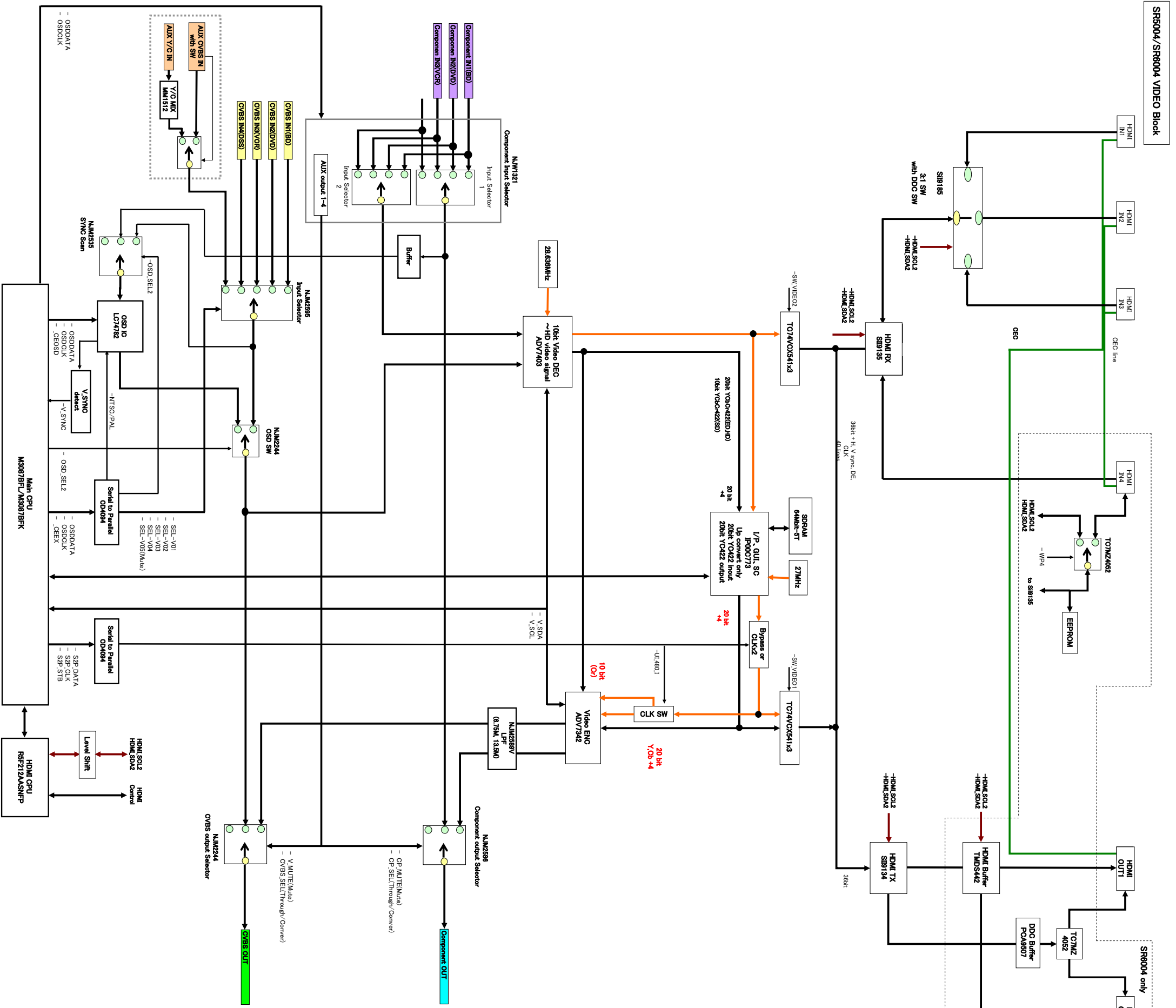
NO	PWB	REF.	SPEC	REMARKS
23	VIDEO	CN12	CJP16GB142ZB (CJP16GB143ZB)	
24	MAIN	CN12	CJP16GB142ZB (CJP16GB143ZB)	
25	USB	BN84	CJP40GB142ZB (CJP40GA221ZB)	
26	USB	BN85	CJP40GB142ZB (CJP40GA221ZB)	
27	MAIN	CN66	CJP22GB142ZB (CJP22GA221ZB)	
28	INPUT	CN50	CJP50GB142ZB (CJP50GA221ZB)	
29	FRONT	BN31	CJP07GA98ZY (CJP07GB99ZY)	
30	REGULATOR	BN31	CJP08GB142ZB (CJP08GA221ZB)	
31	INPUT	CN44	CJP12GB142ZB	
32	INPUT	CN59	CJP06GB142ZB (CJP06GA221ZB)	
33	INPUT	CN43	CJP08GB142ZB	

*** CARD CABLE**

NO	PWB	REF.	SPEC	COMMENT
34	FRONT	BN82	CWC4C4A21B180B10	TO HDMI
35	MAIN	CN68	CWC4C4A15B180B10001	TO INPUT
36	INPUT	CN52	CWC4C4A23B100B10	TO HDMI
37	TUNER	CN30	CWC4C4A15B150B10/CWC4C4A17B150B10	

11. BLOCK DIAGRAMS

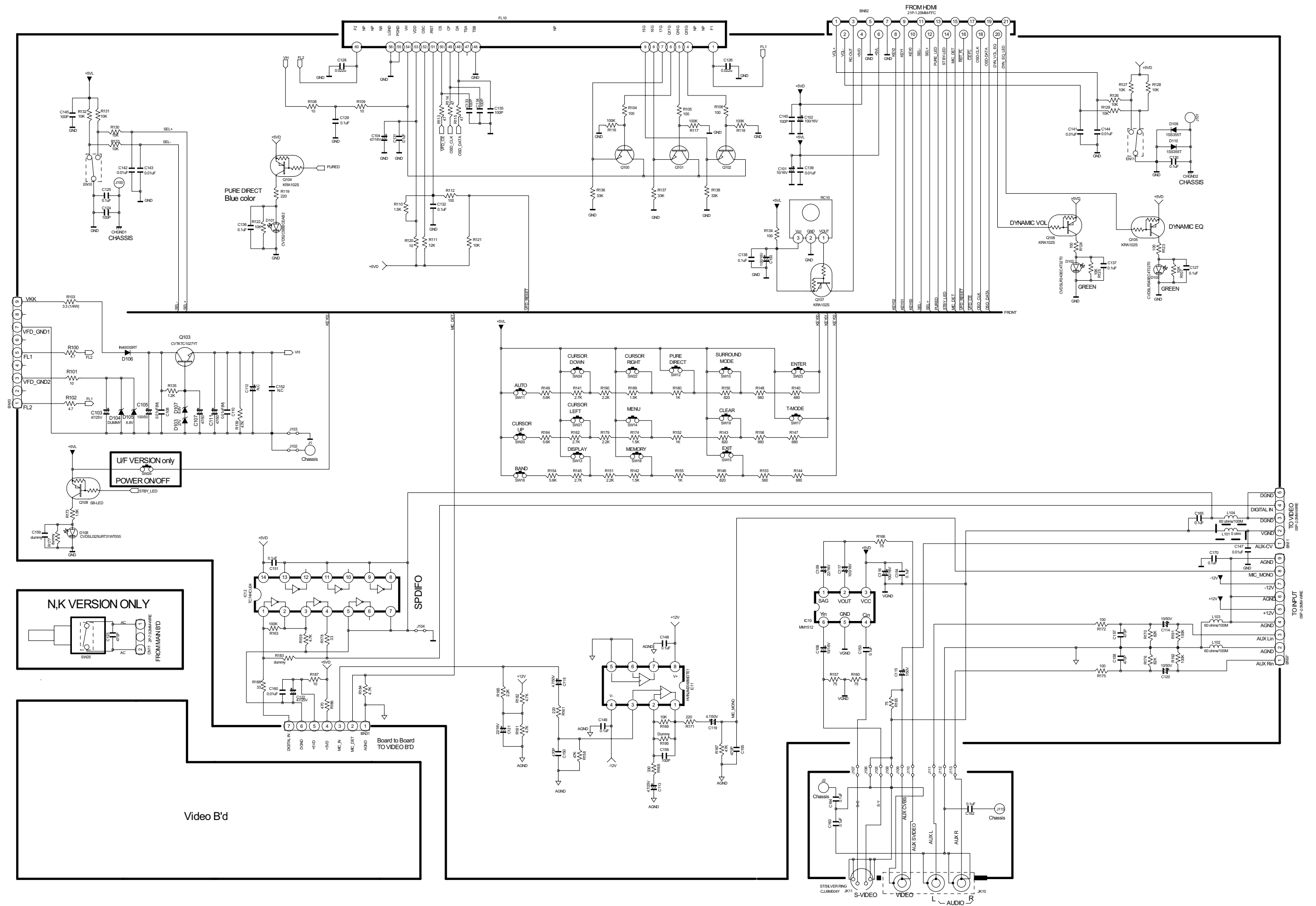


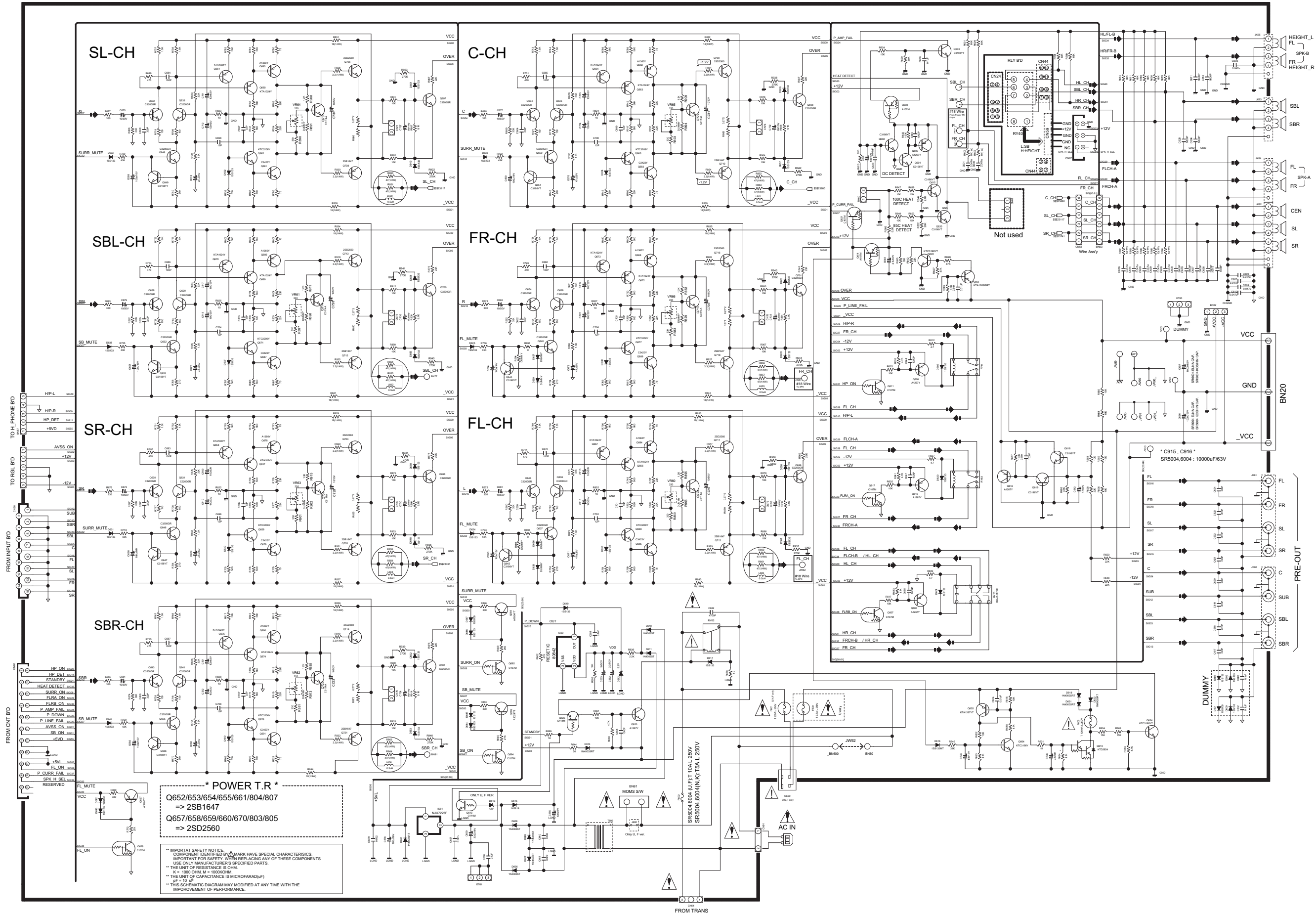


SR5004/SR8004 VIDEO Block

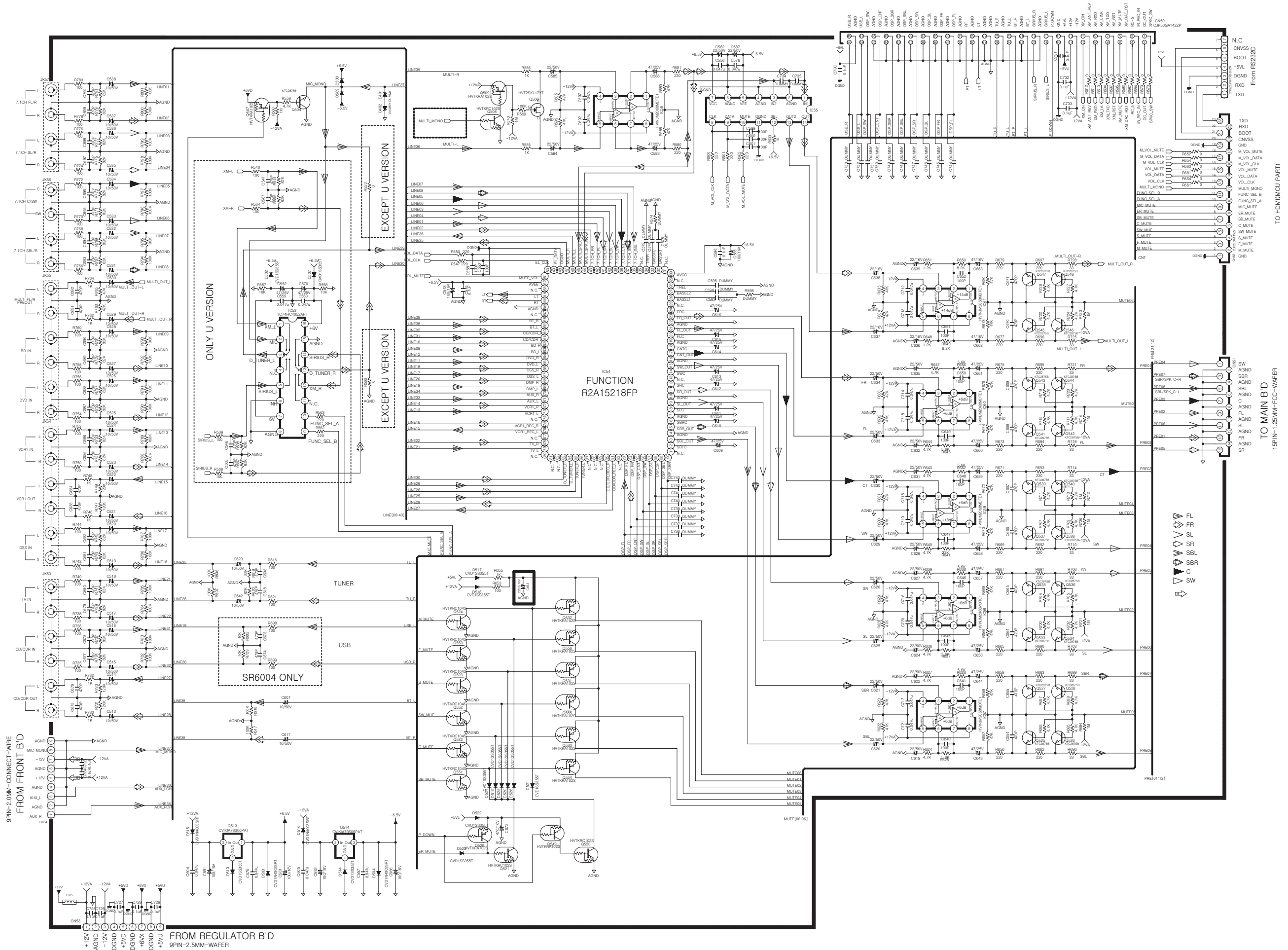
SR8004 only

12. SCHEMATIC DIAGRAM FRONT PWB

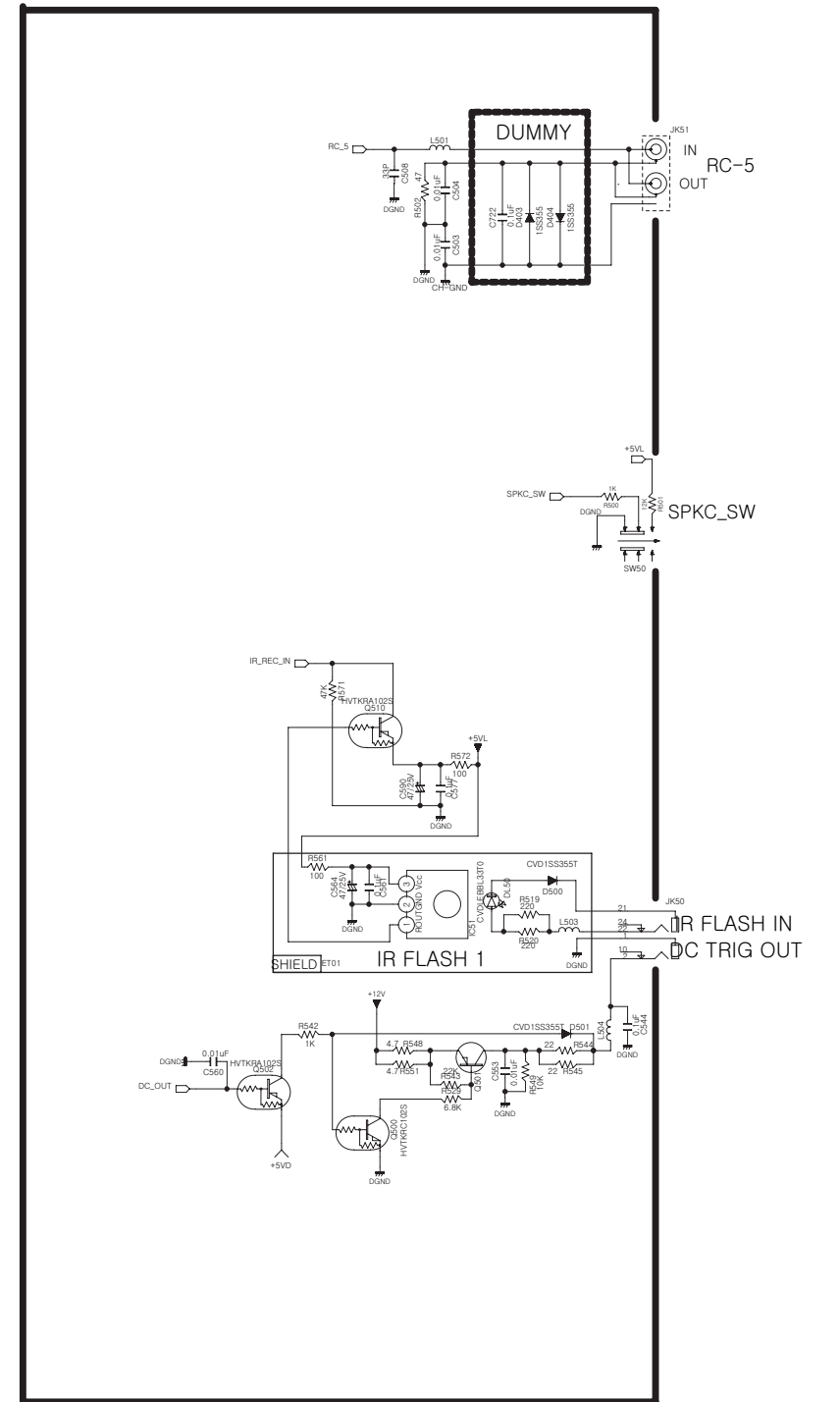
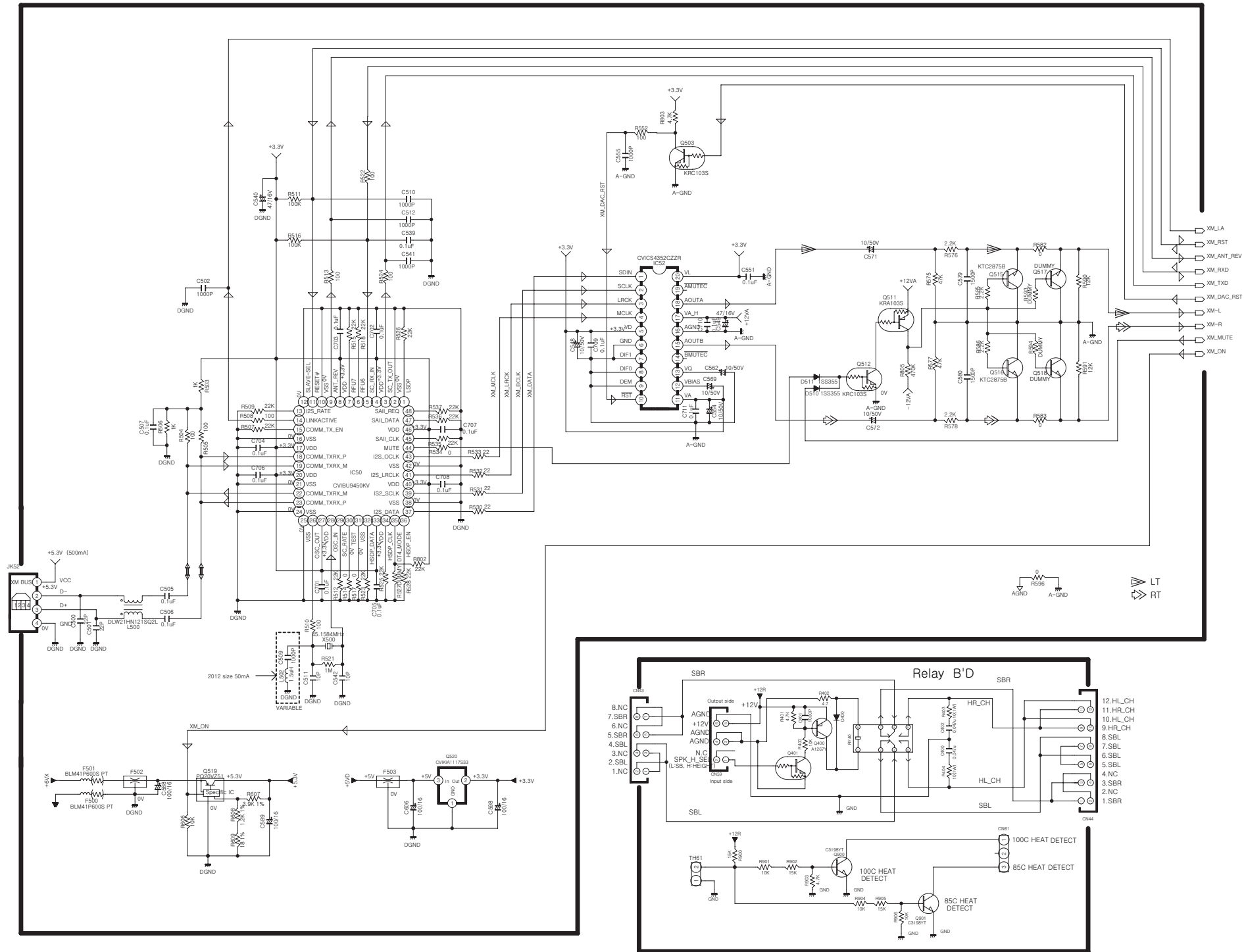


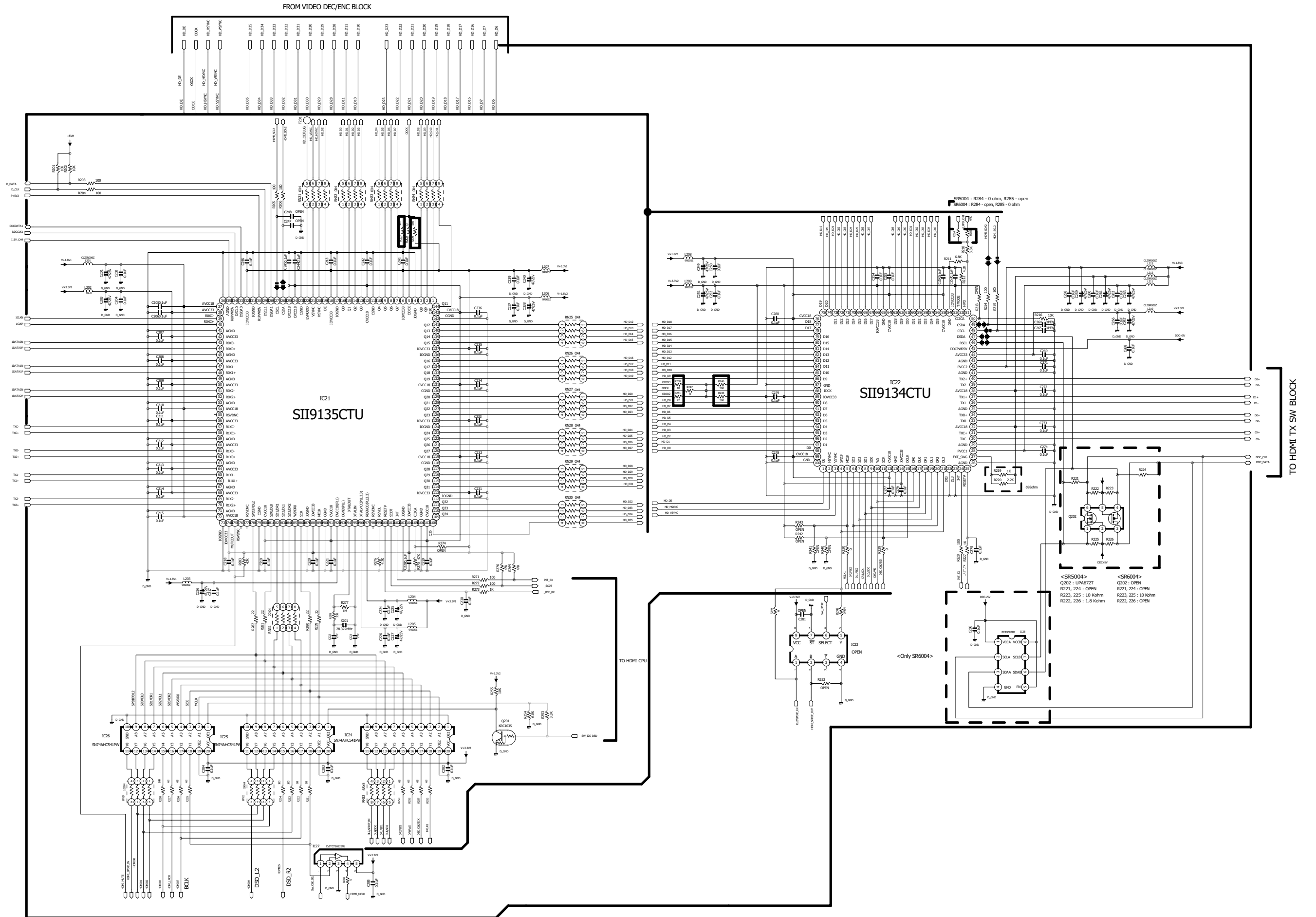


INPUT PWB -1/2



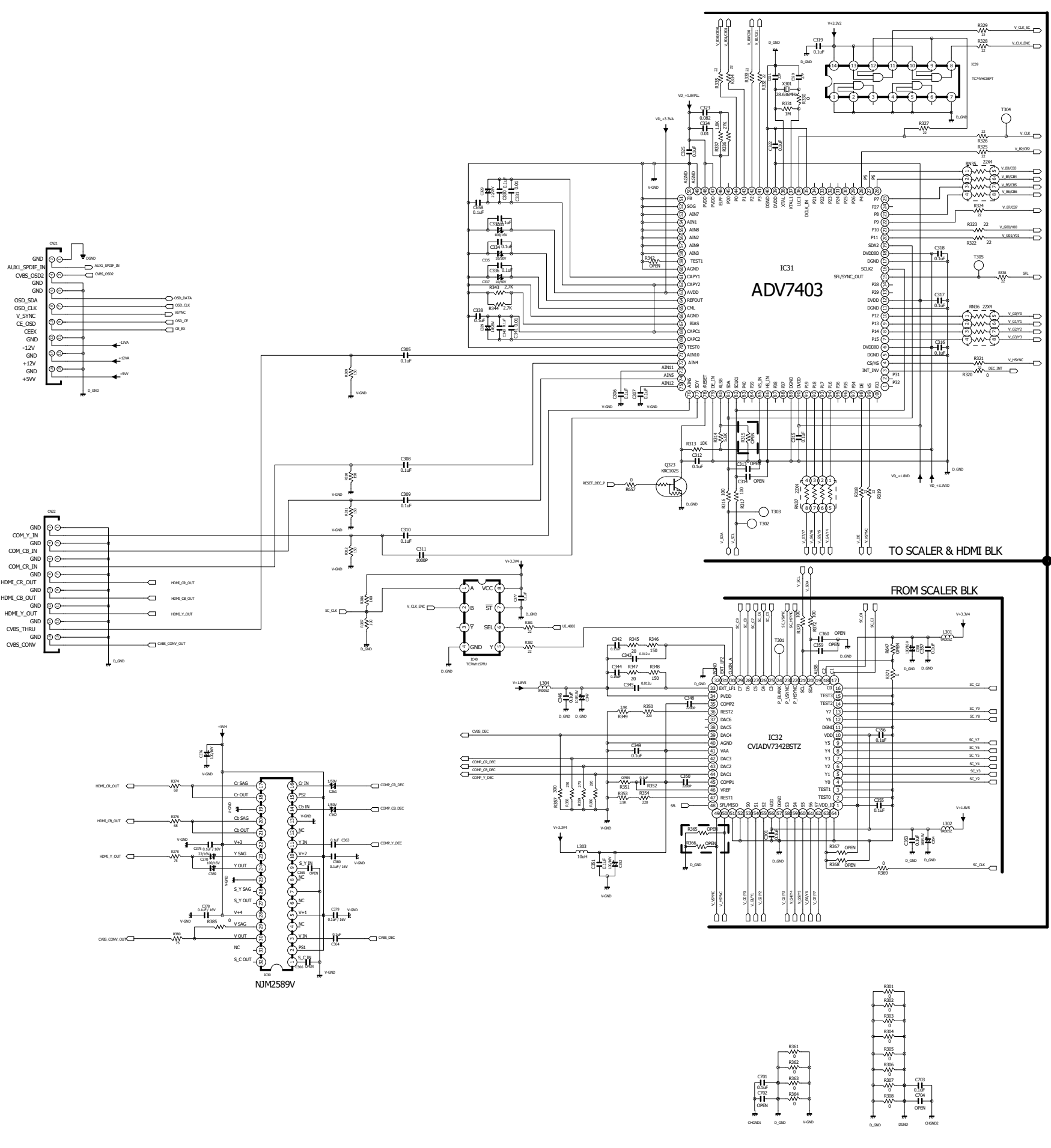
INPUT PWB -2/2





FROM/TO VIDEO PWB

FROM/TO VIDEO PWB

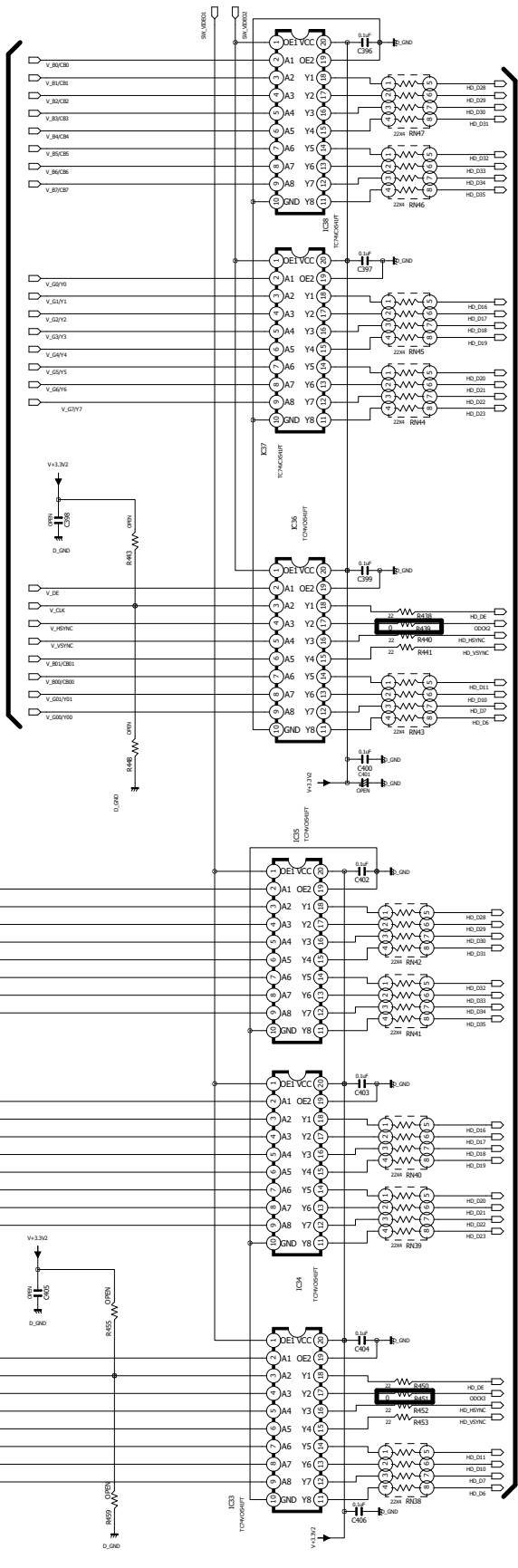


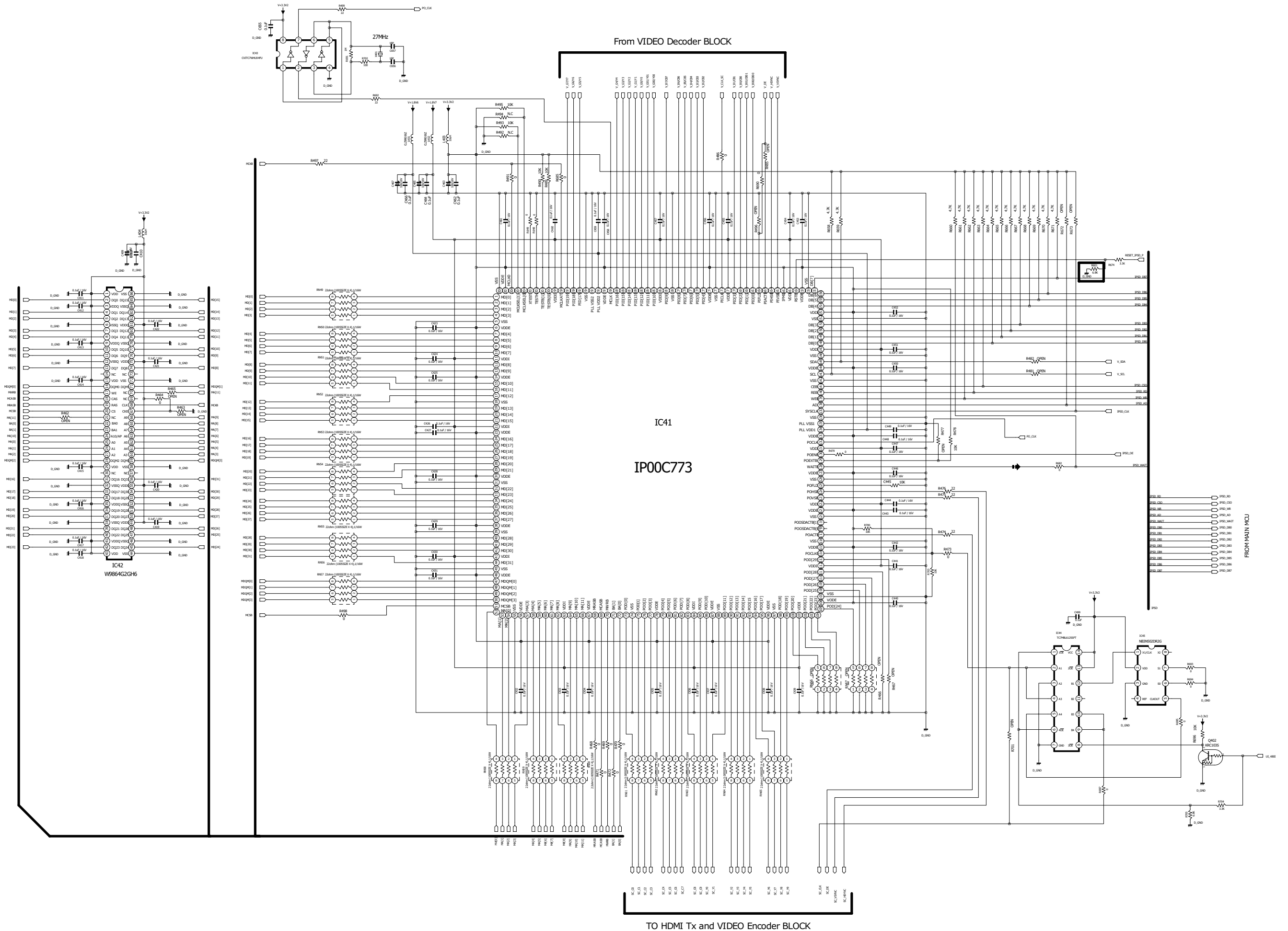
FROM VIDEO DEC, ENC BLOCK

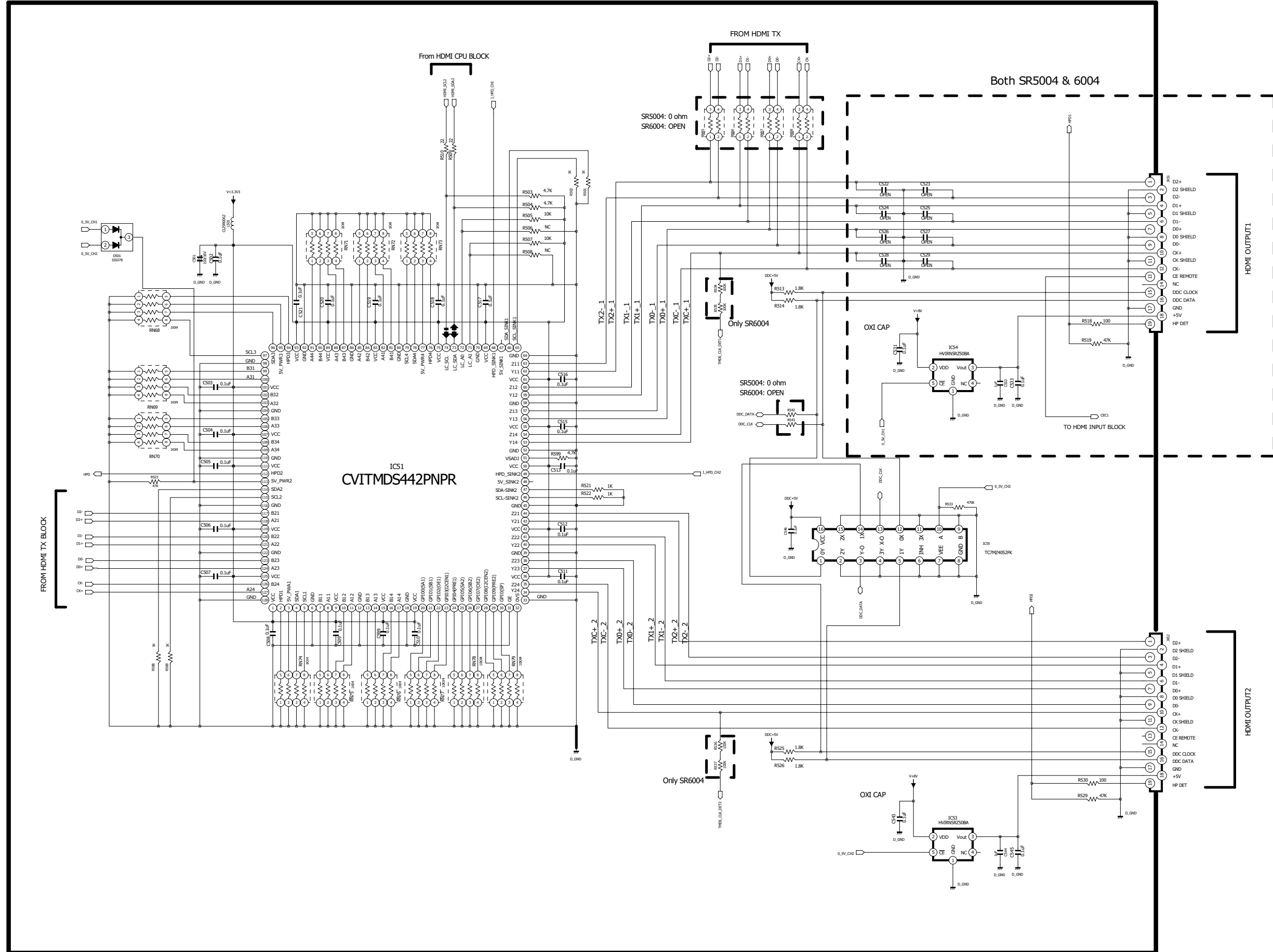
TO HDMI-RX, TX BLOCK

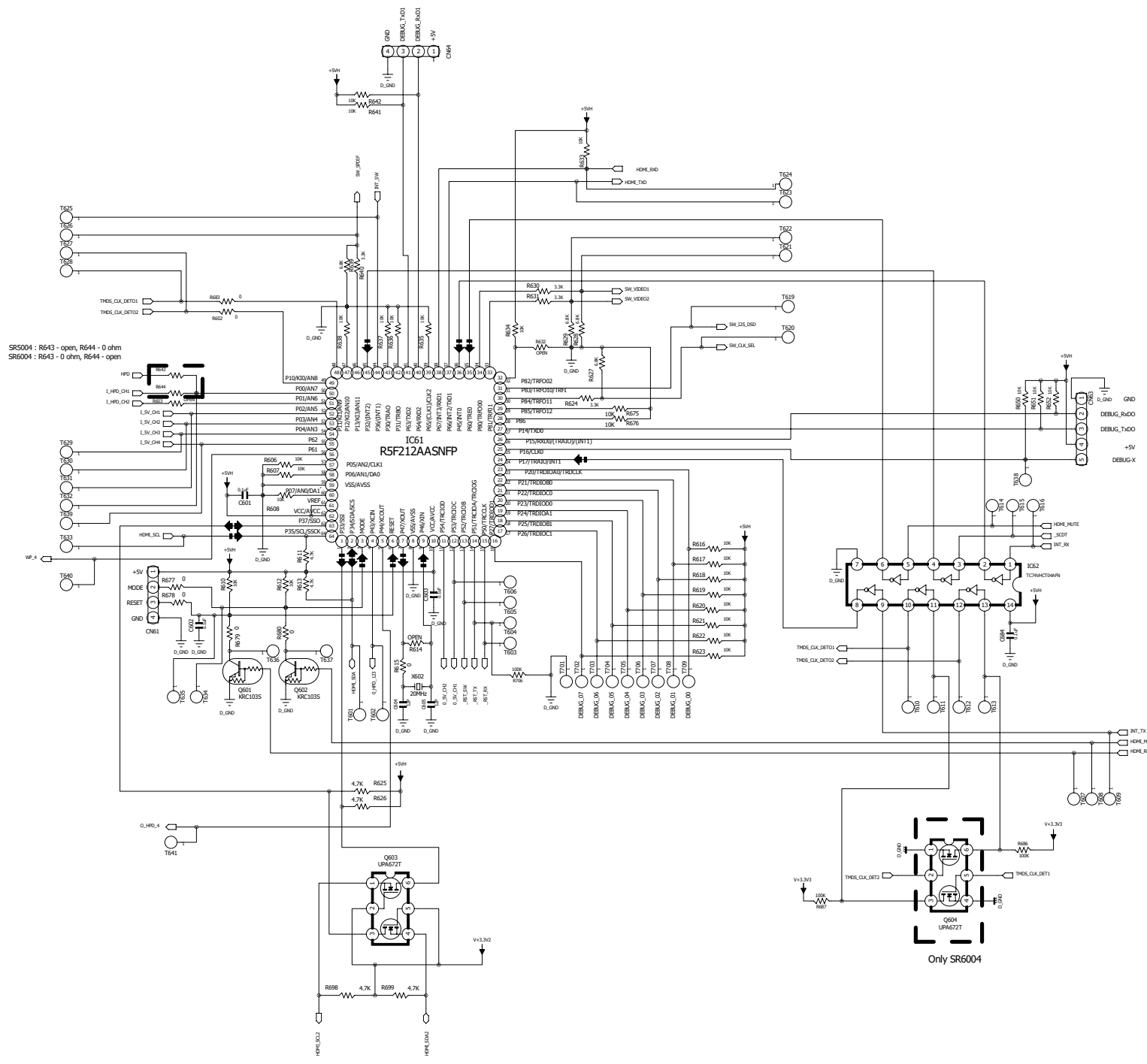
FROM SCALER BLOCK

FROM SCALER BLOCK

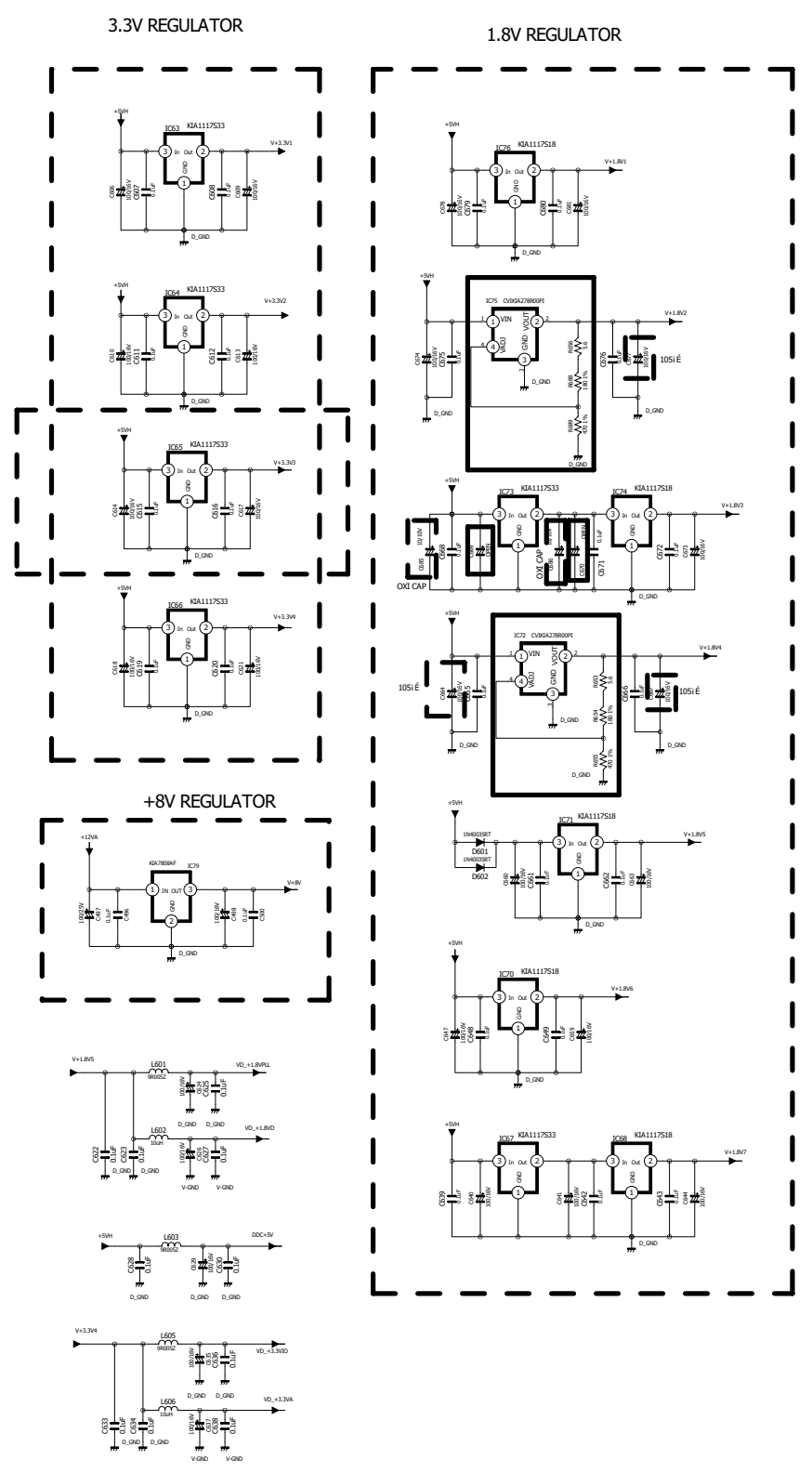


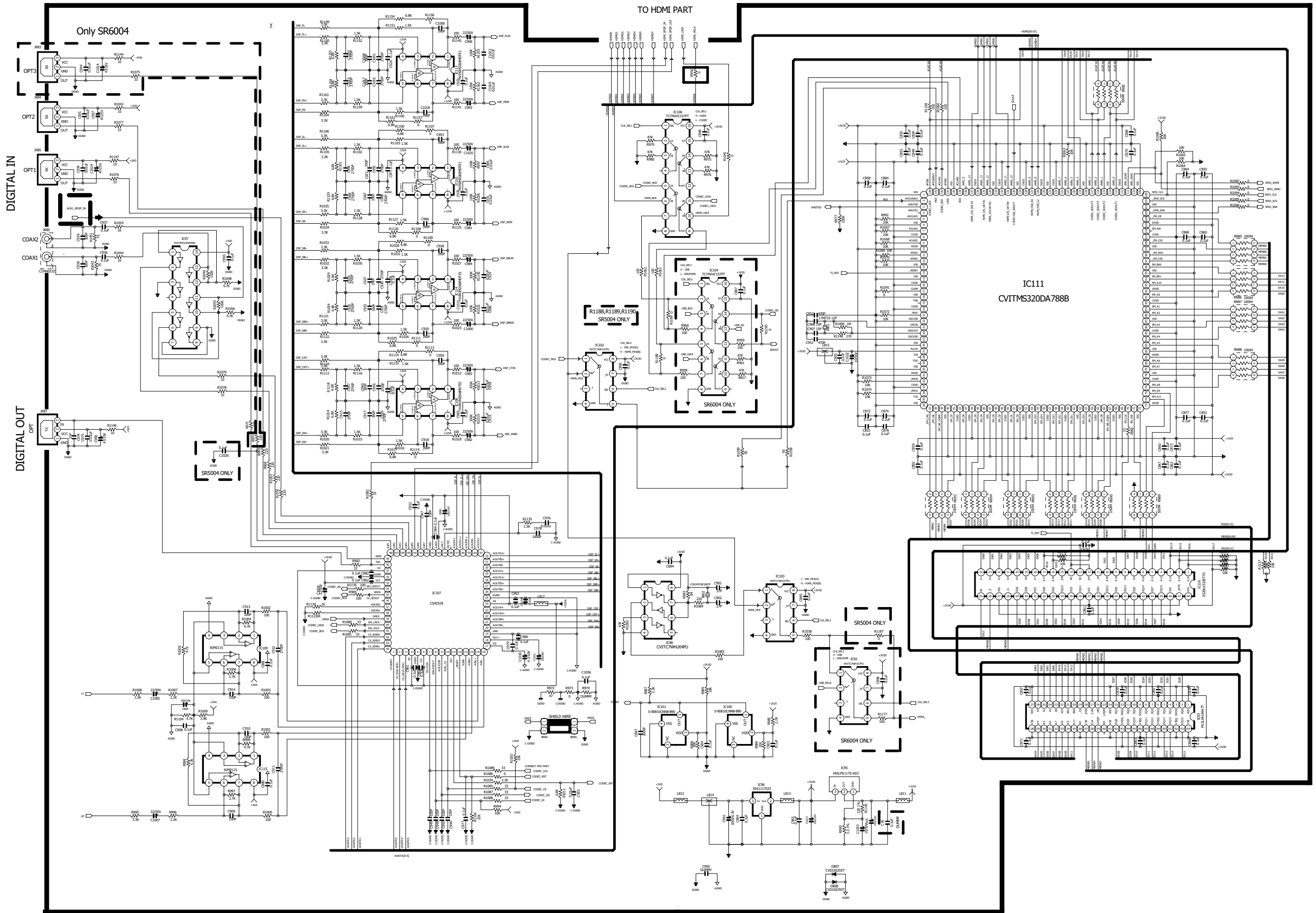


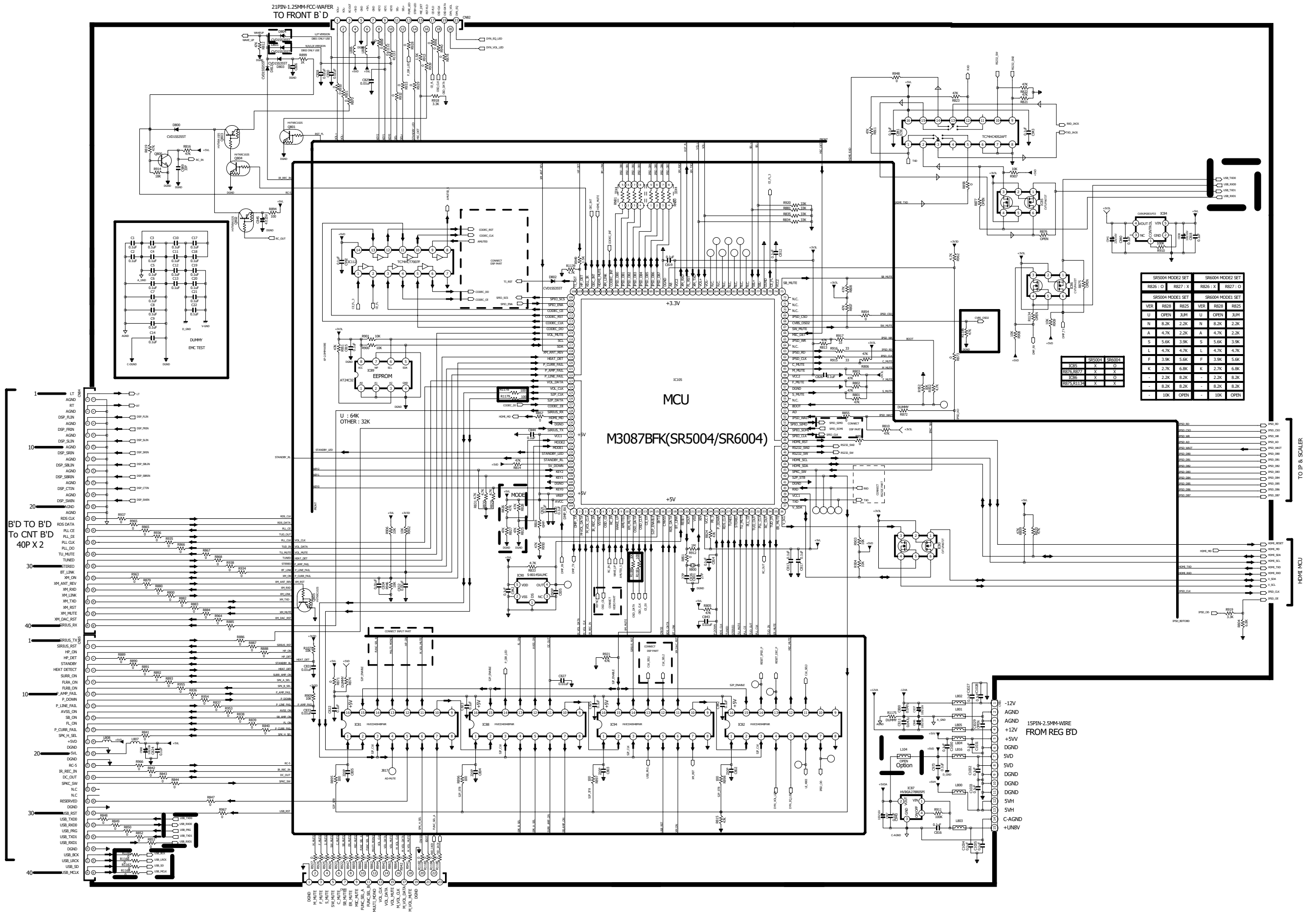


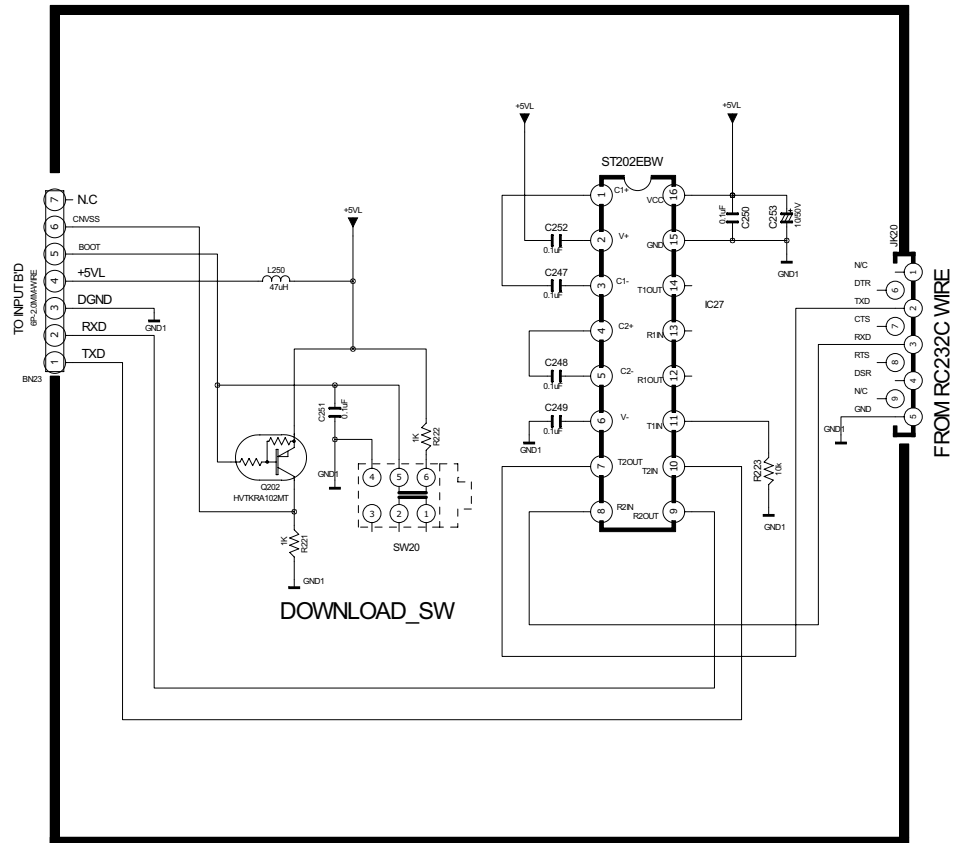
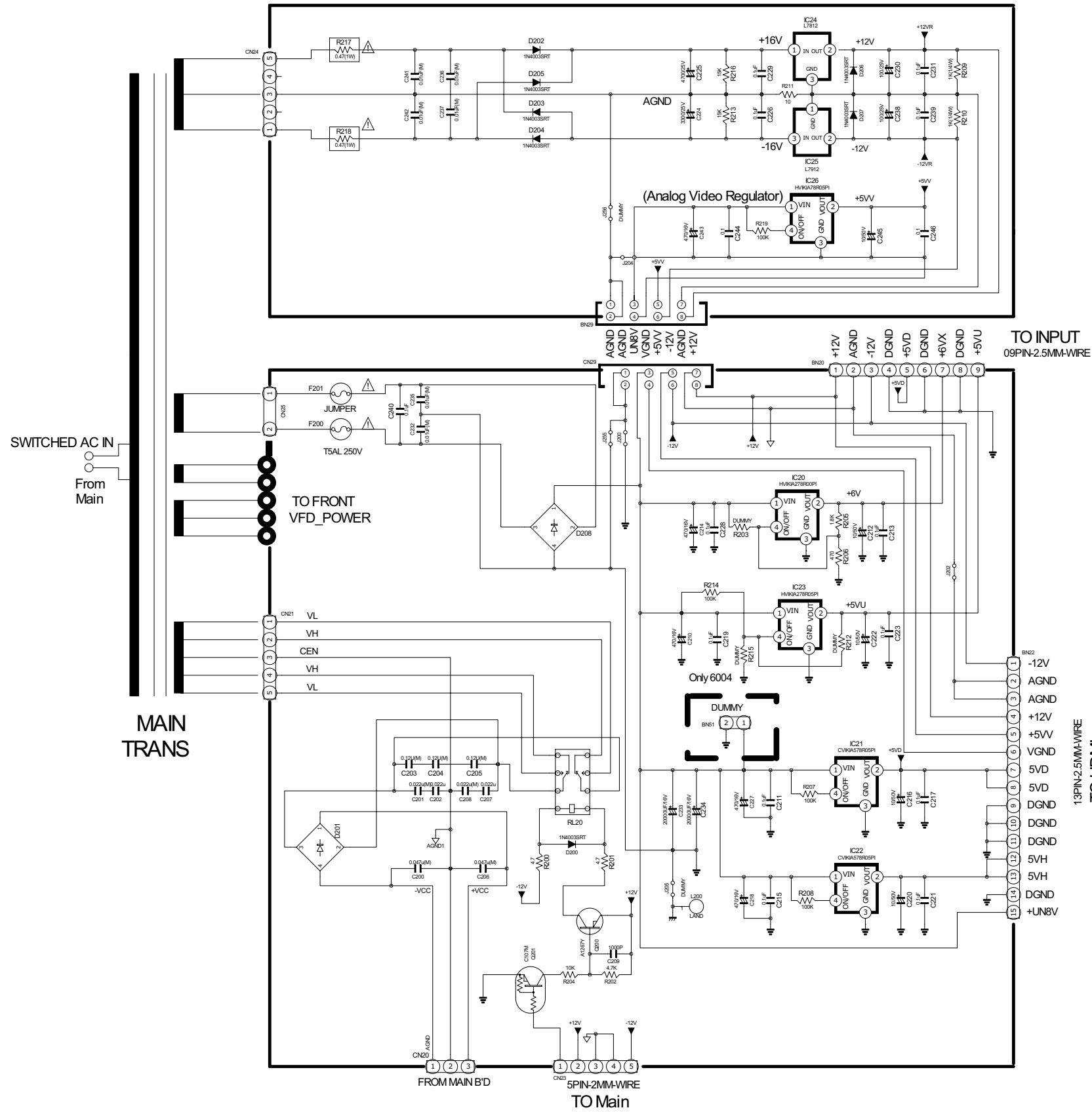


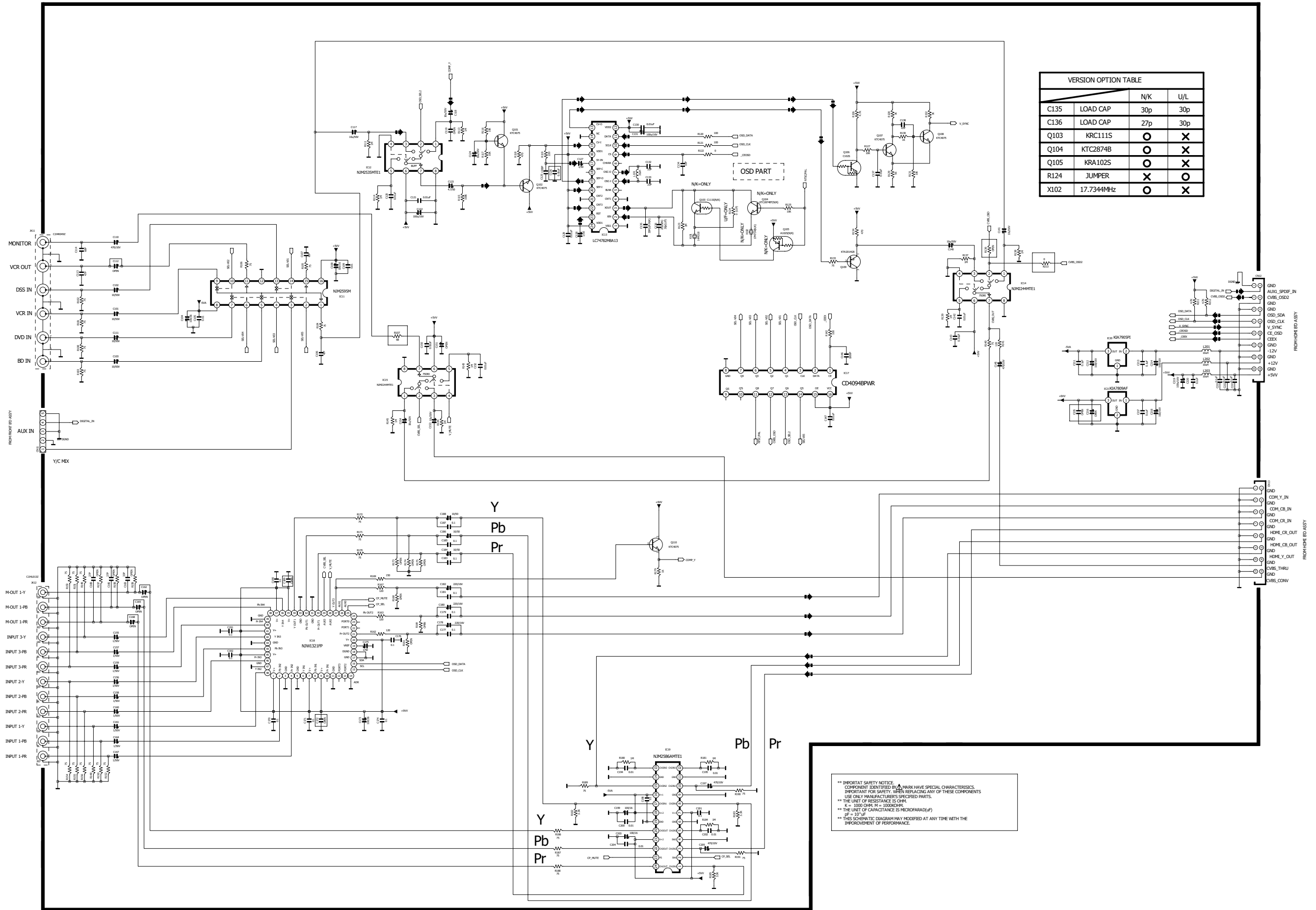
Only SR6004





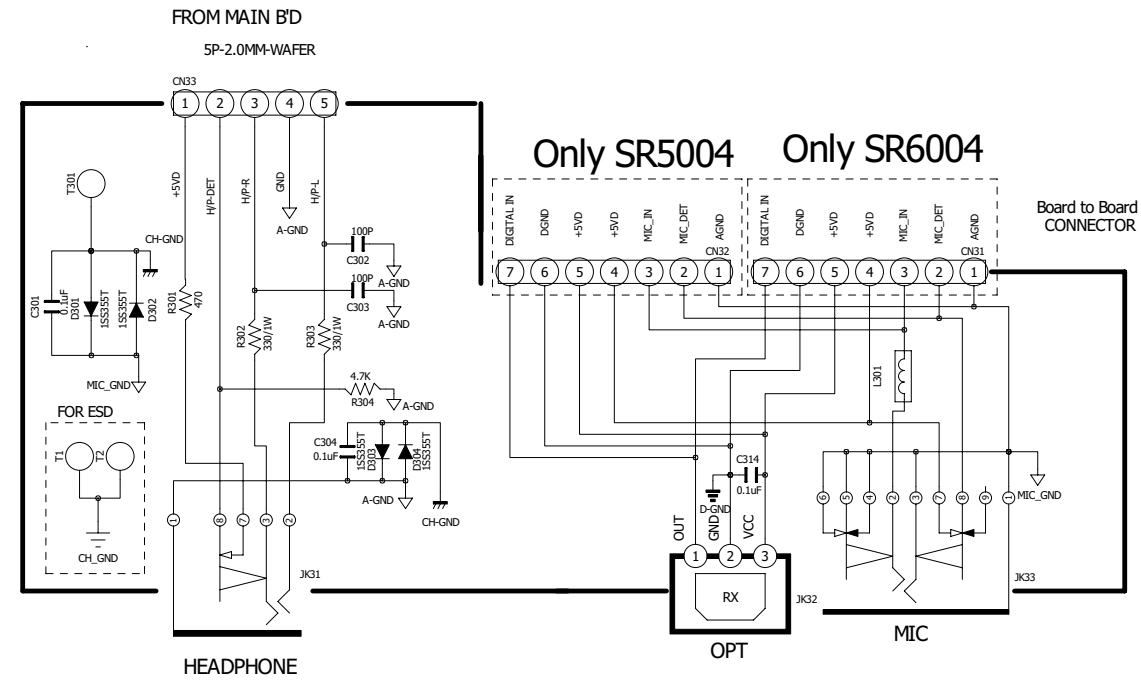




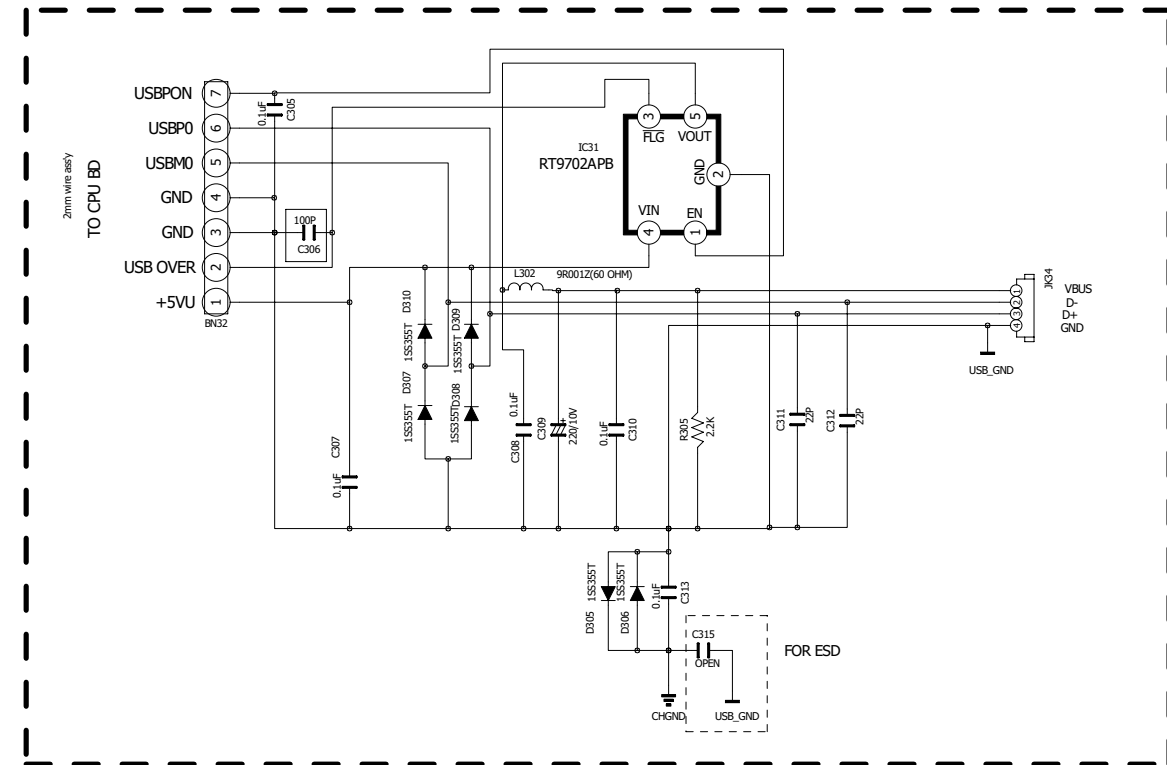


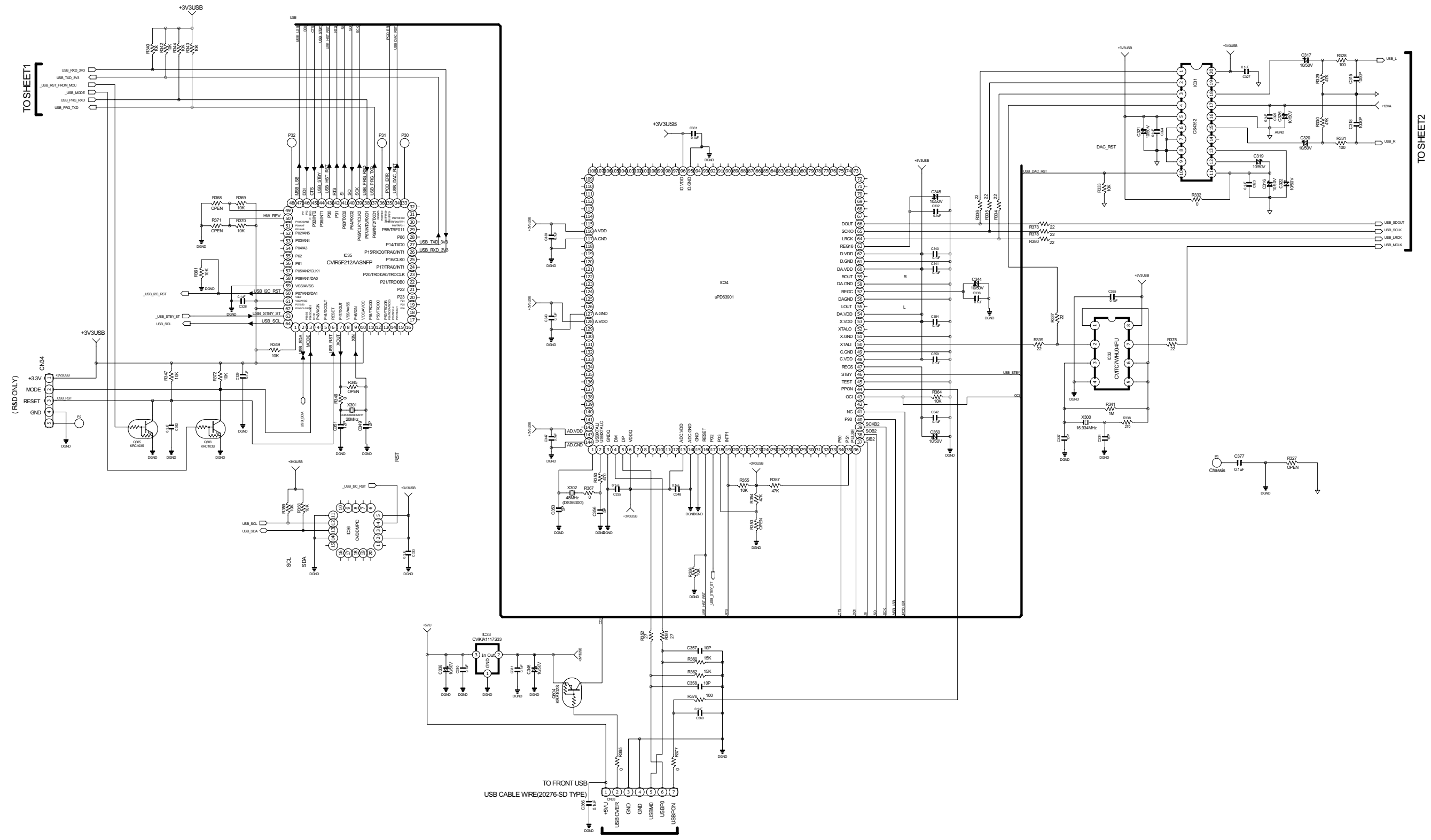
VERSION OPTION TABLE			
		N/K	U/L
C135	LOAD CAP	30p	30p
C136	LOAD CAP	27p	30p
Q103	KRC111S	○	×
Q104	KTC2874B	○	×
Q105	KRA102S	○	×
R124	JUMPER	×	○
X102	17.7344MHz	○	×

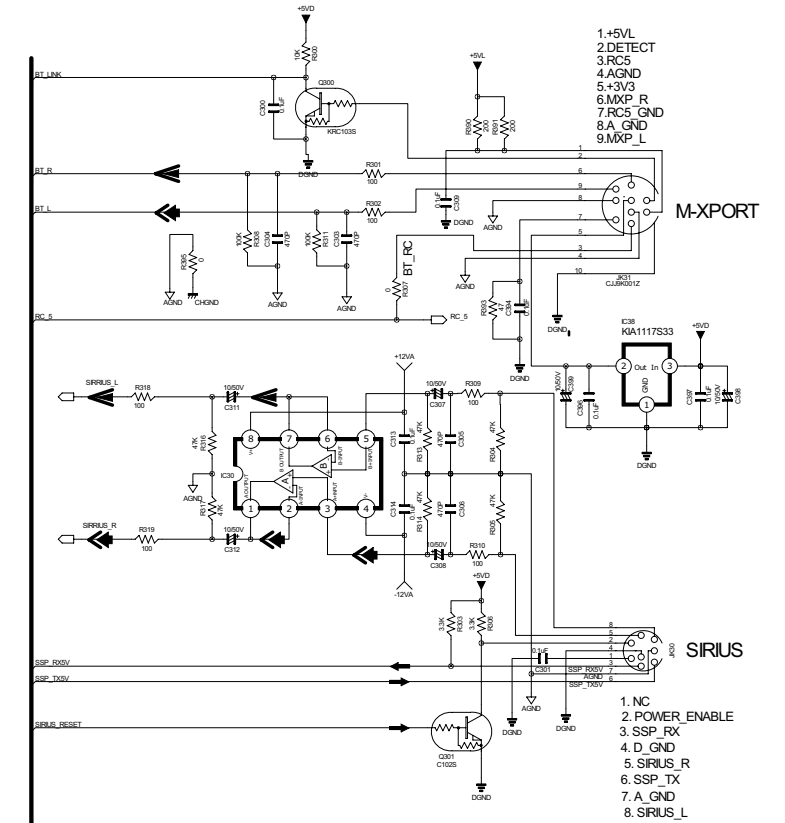
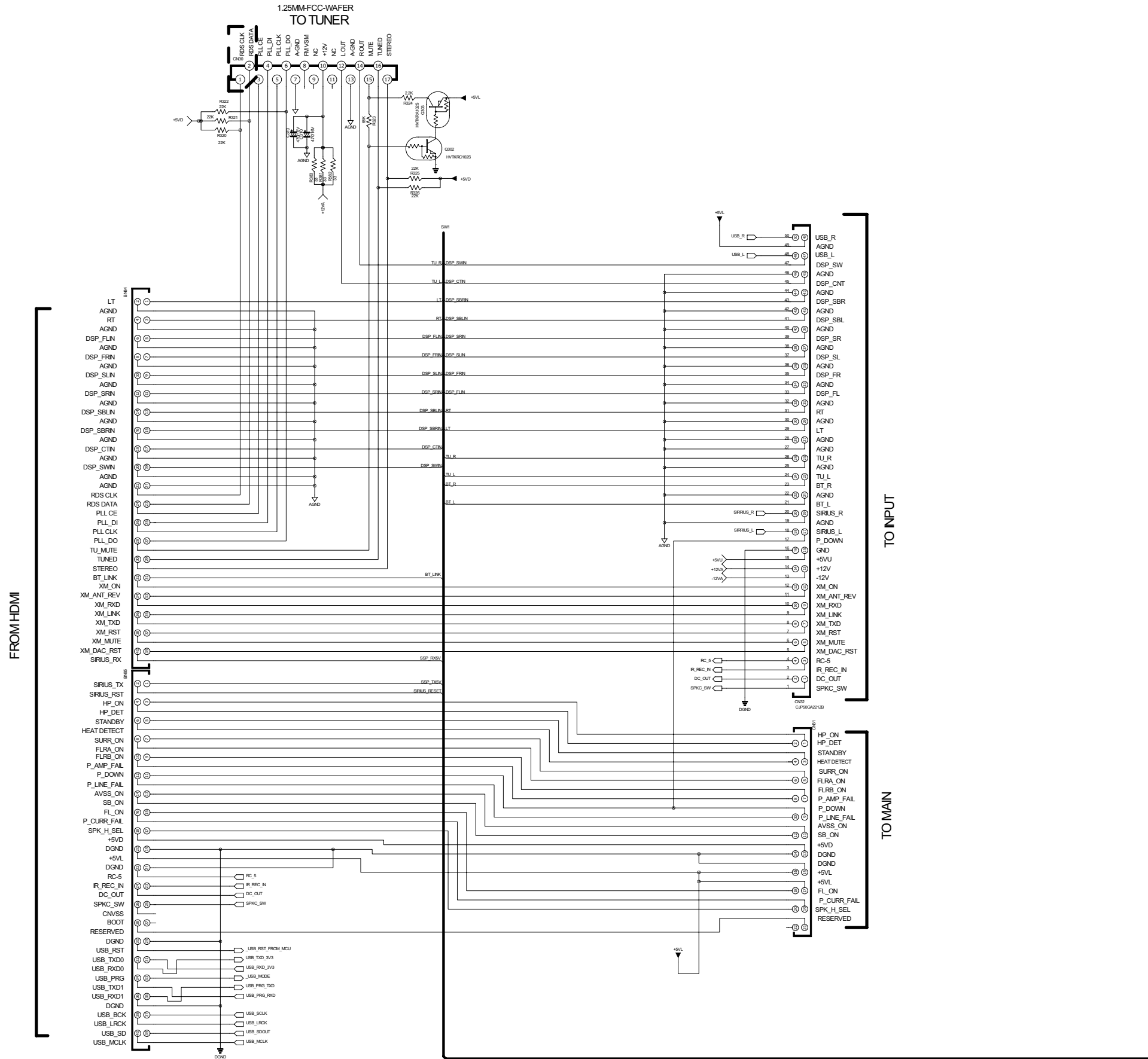
*** IMPORTANT SAFETY NOTICE: COMPONENT IDENTIFIED BY MARK HAVE SPECIAL CHARACTERISTICS IMPORTANT FOR SAFETY. WHEN REPLACING ANY OF THESE COMPONENTS USE ONLY MANUFACTURERS SPECIFIED PARTS. ** THE UNIT OF RESISTANCE IS OHM. * = 1000 OHM, M = 1000000 OHM. ** THE UNIT OF CAPACITANCE IS MICROFARAD(UF). ** THIS SCHEMATIC DIAGRAM MAY MODIFIED AT ANY TIME WITH THE IMPROVEMENT OF PERFORMANCE.



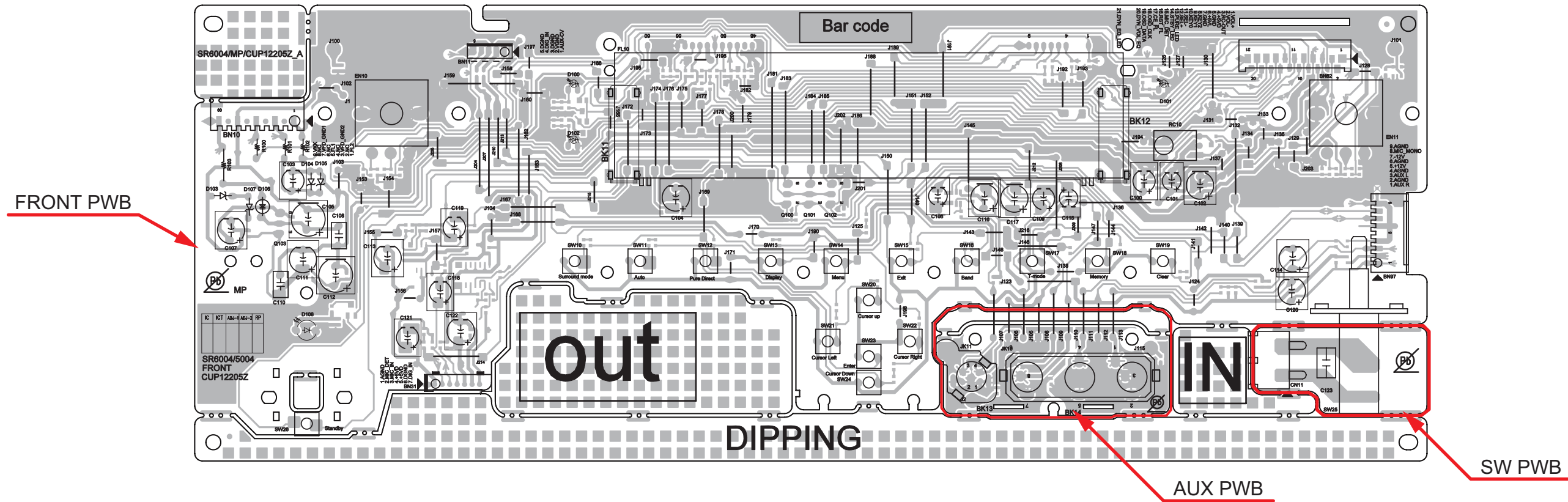
USB JACK PART Only SR6004



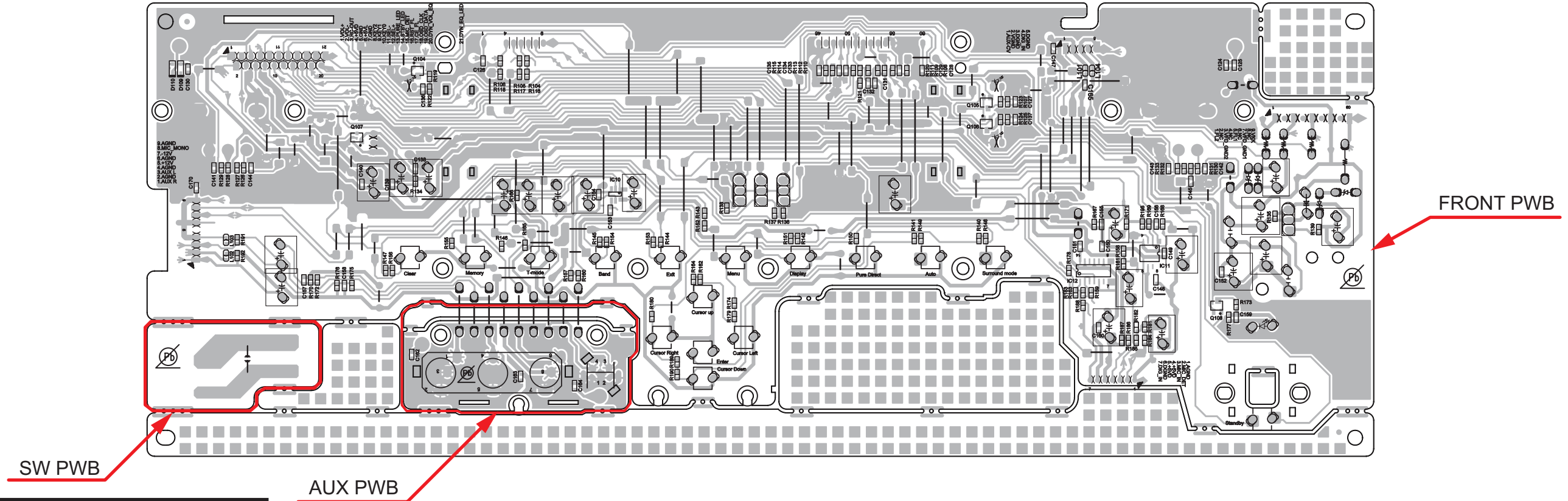




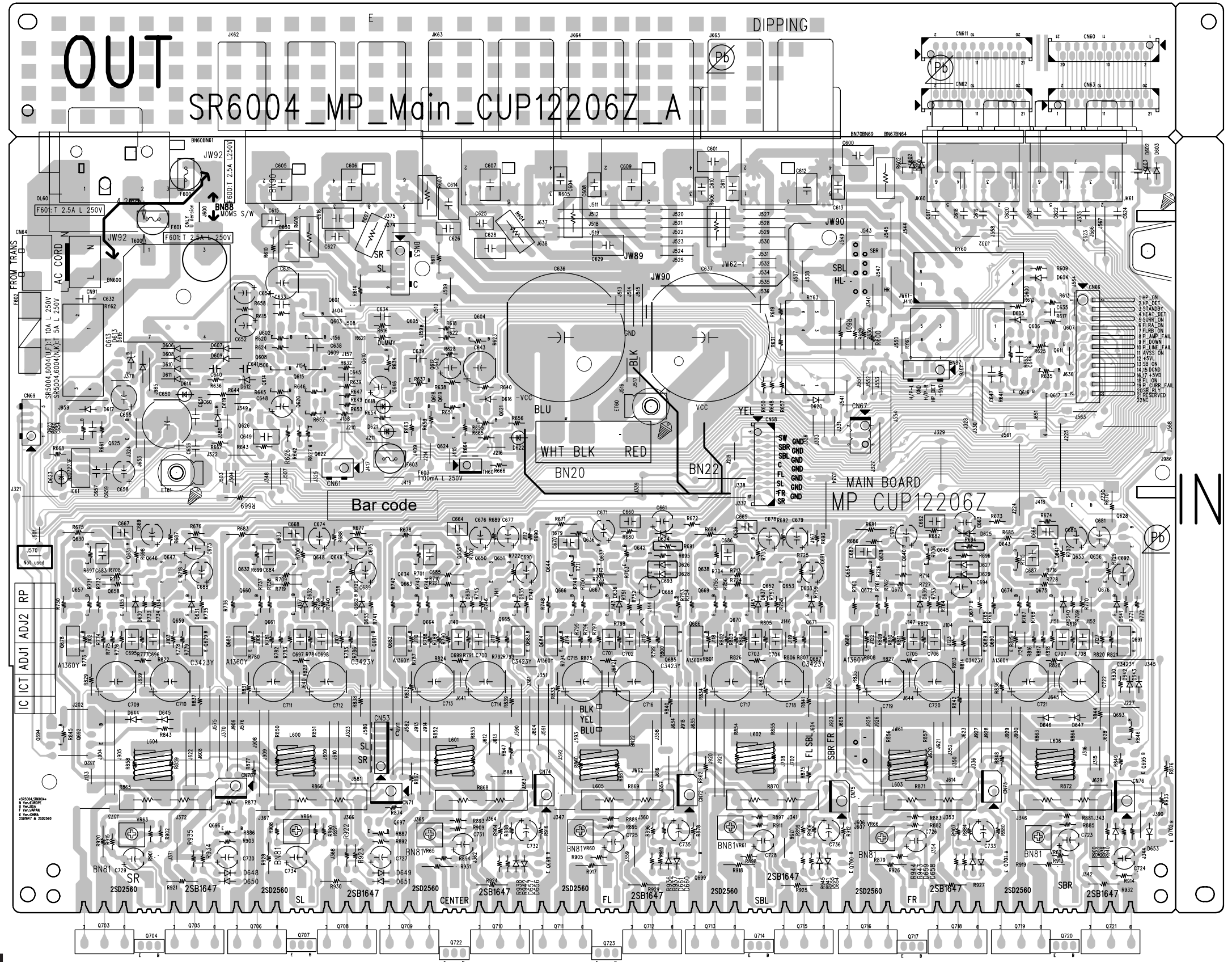
13. PARTS LOCATION
FRONT A PWB



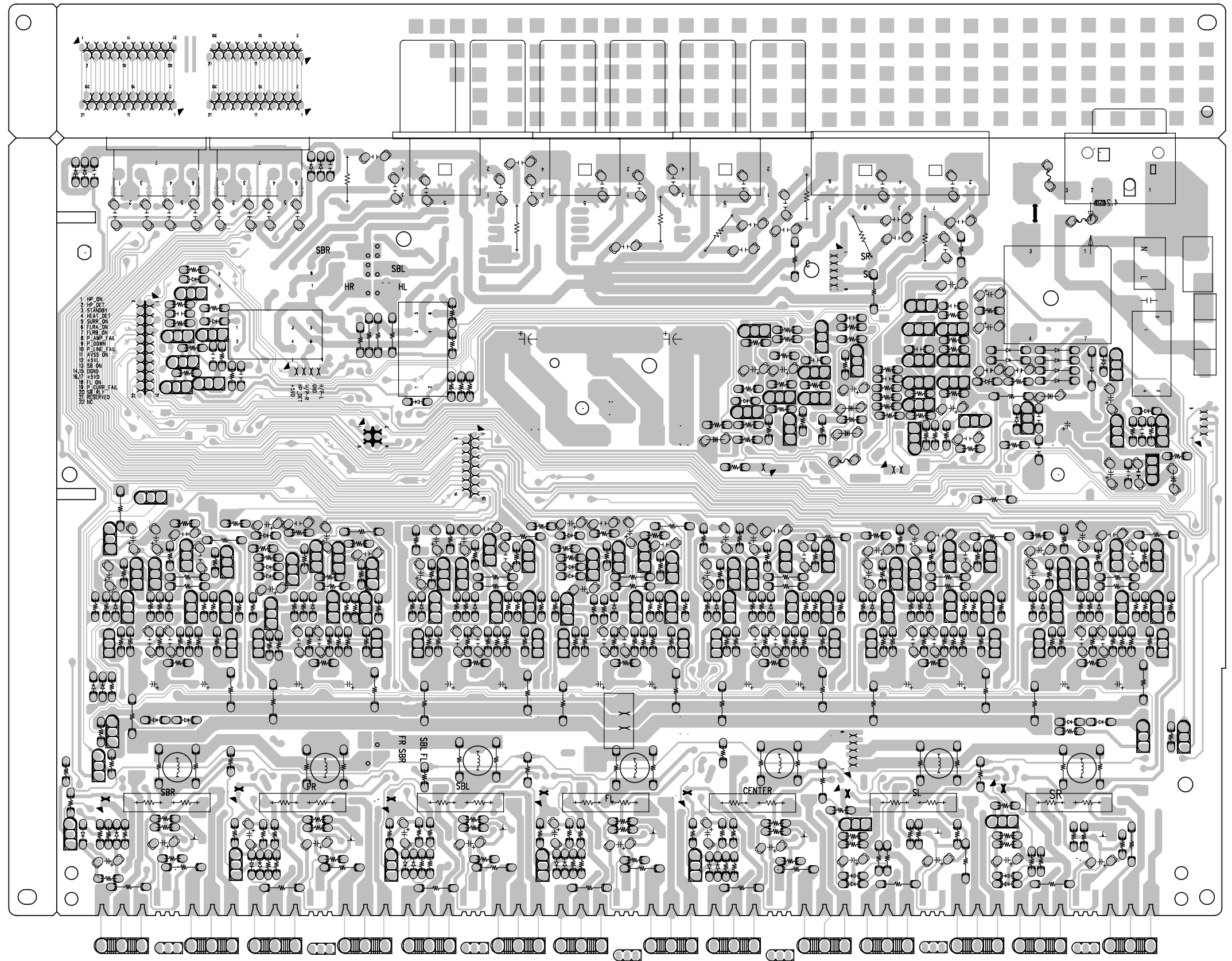
FRONT B PWB



鉛フリー半田
半田付けには、鉛フリー半田(Sn-Ag-Cu)を使用してください。
Lead-free Solder
When soldering, use the Lead-free Solder (Sn-Ag-Cu).



鉛フリー半田
半田付けには、鉛フリー半田(Sn-Ag-Cu)を使用してください。
Lead-free Solder
When soldering, use the Lead-free Solder (Sn-Ag-Cu).

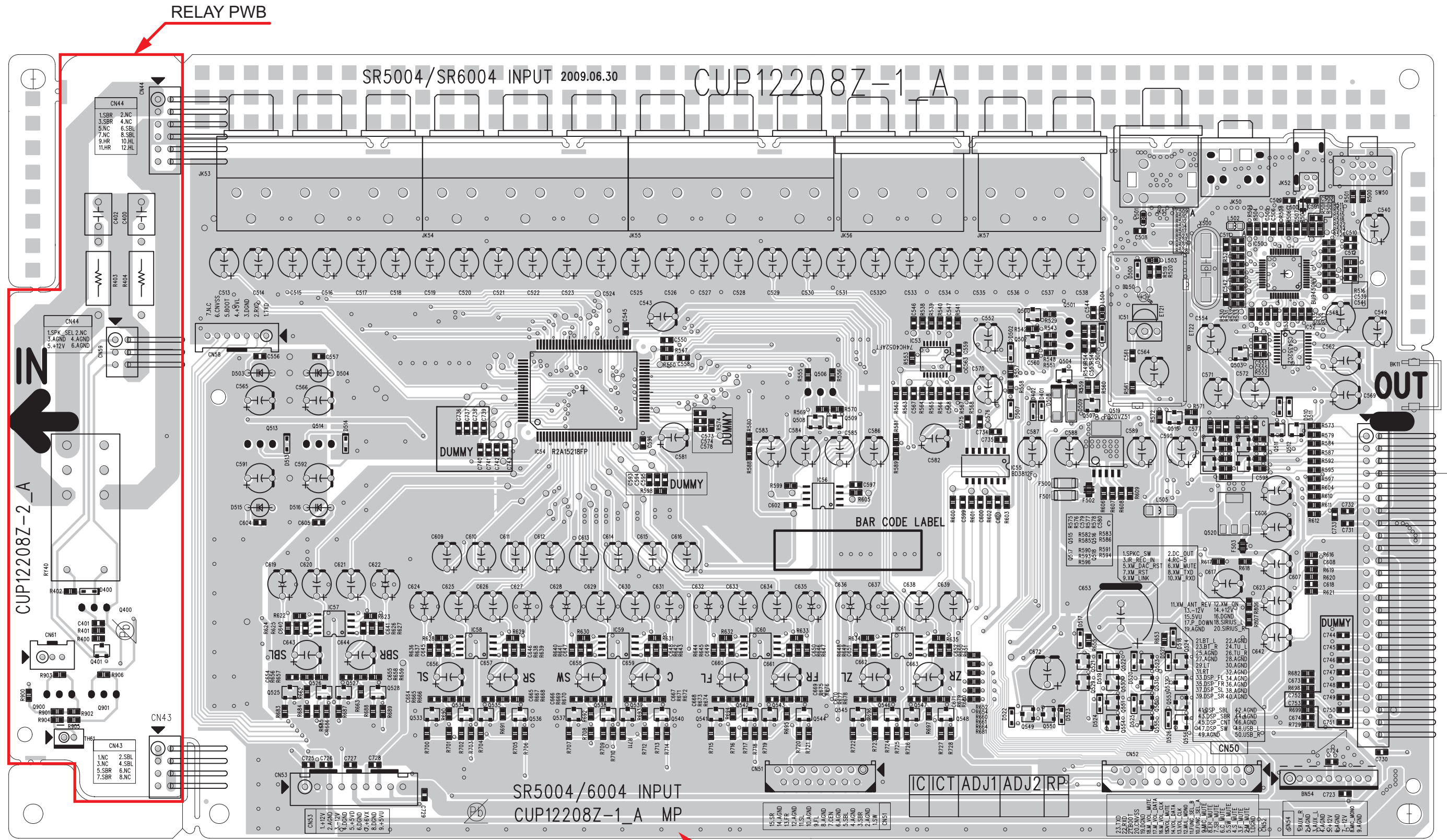


鉛フリー半田

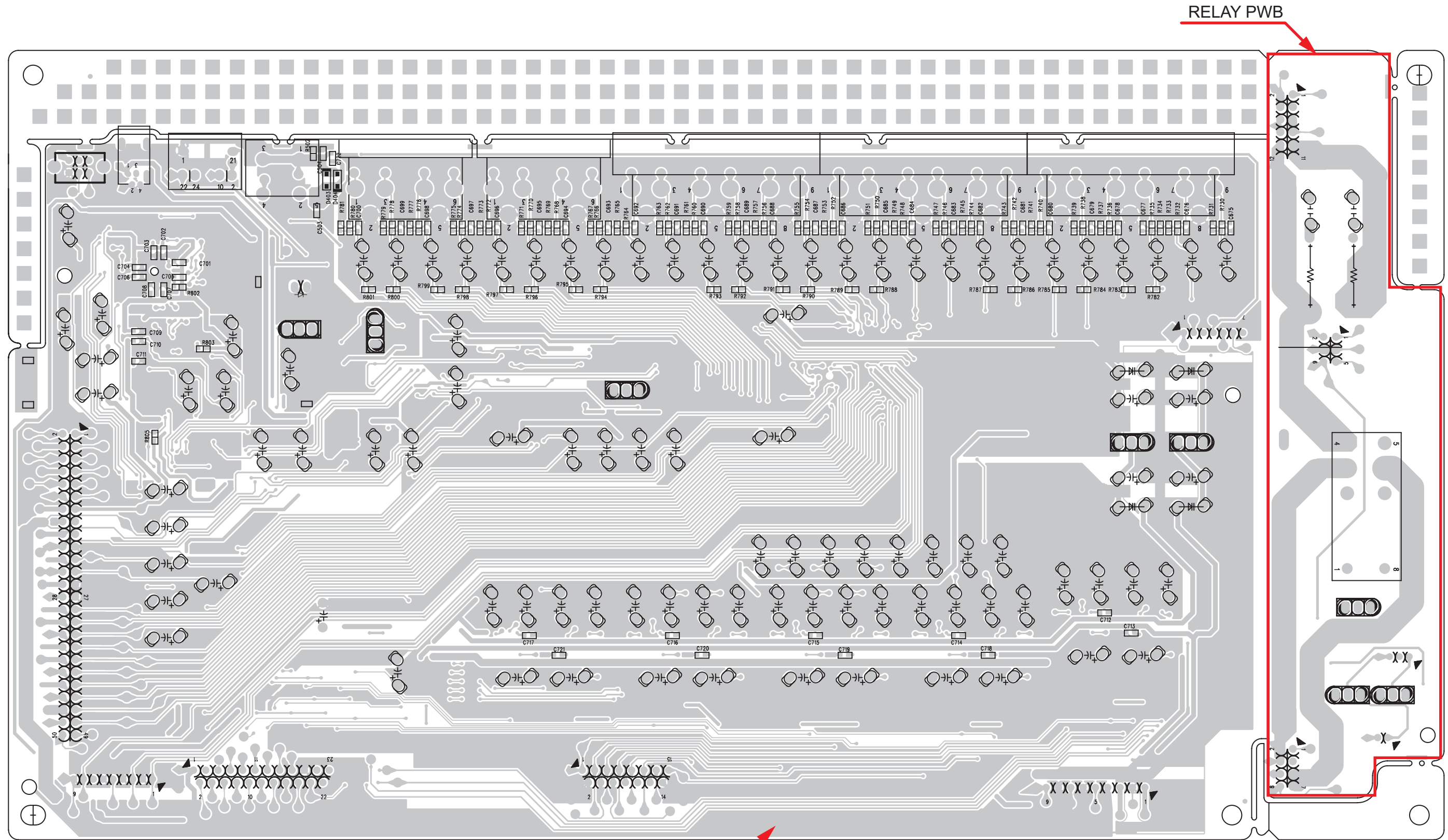
半田付けには、鉛フリー半田(Sn-Ag-Cu)を使用してください。

Lead-free Solder

When soldering, use the Lead-free Solder (Sn-Ag-Cu).



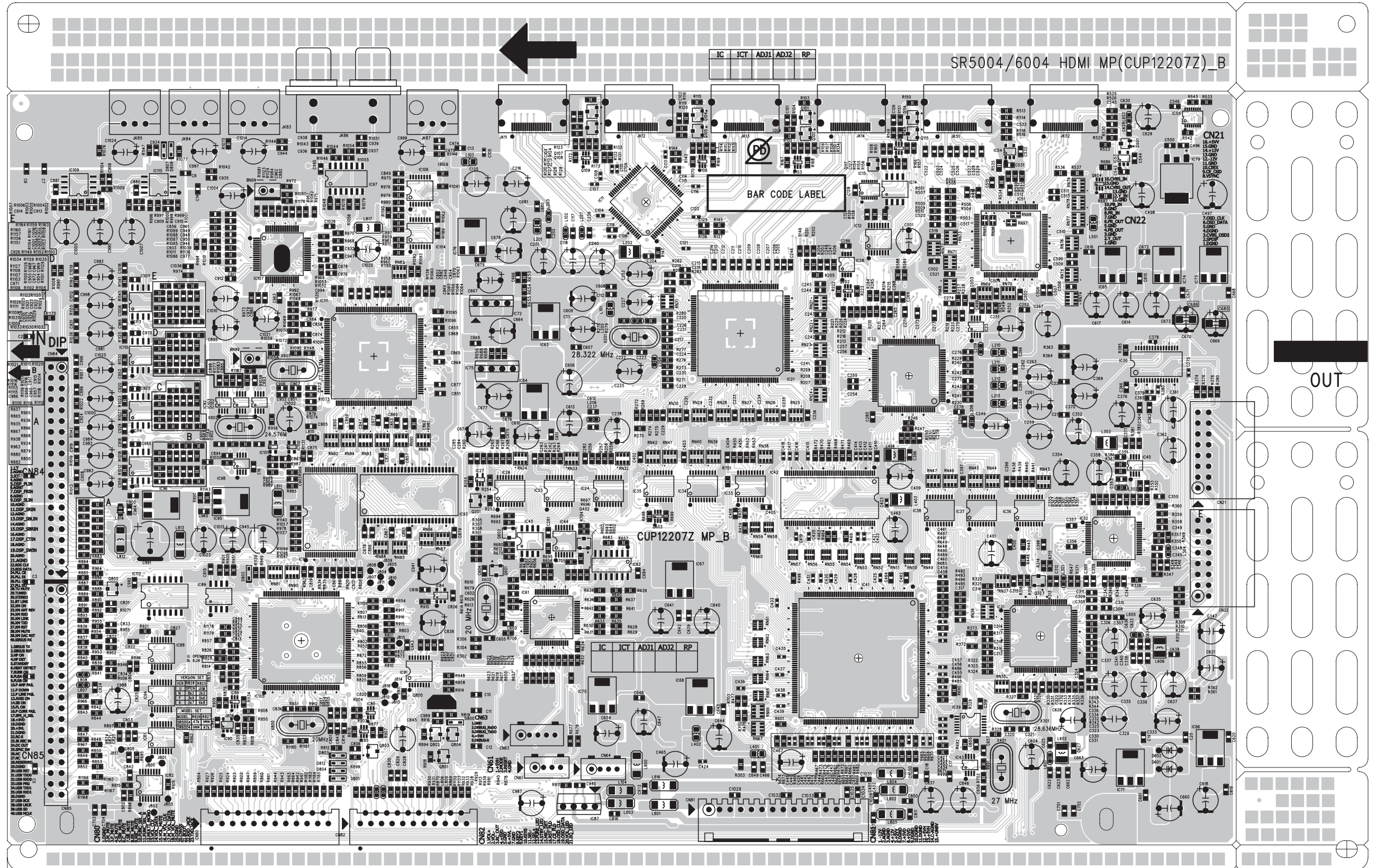
鉛フリー半田
 半田付けには、鉛フリー半田(Sn-Ag-Cu)を使用してください。
 Lead-free Solder
 When soldering, use the Lead-free Solder (Sn-Ag-Cu).



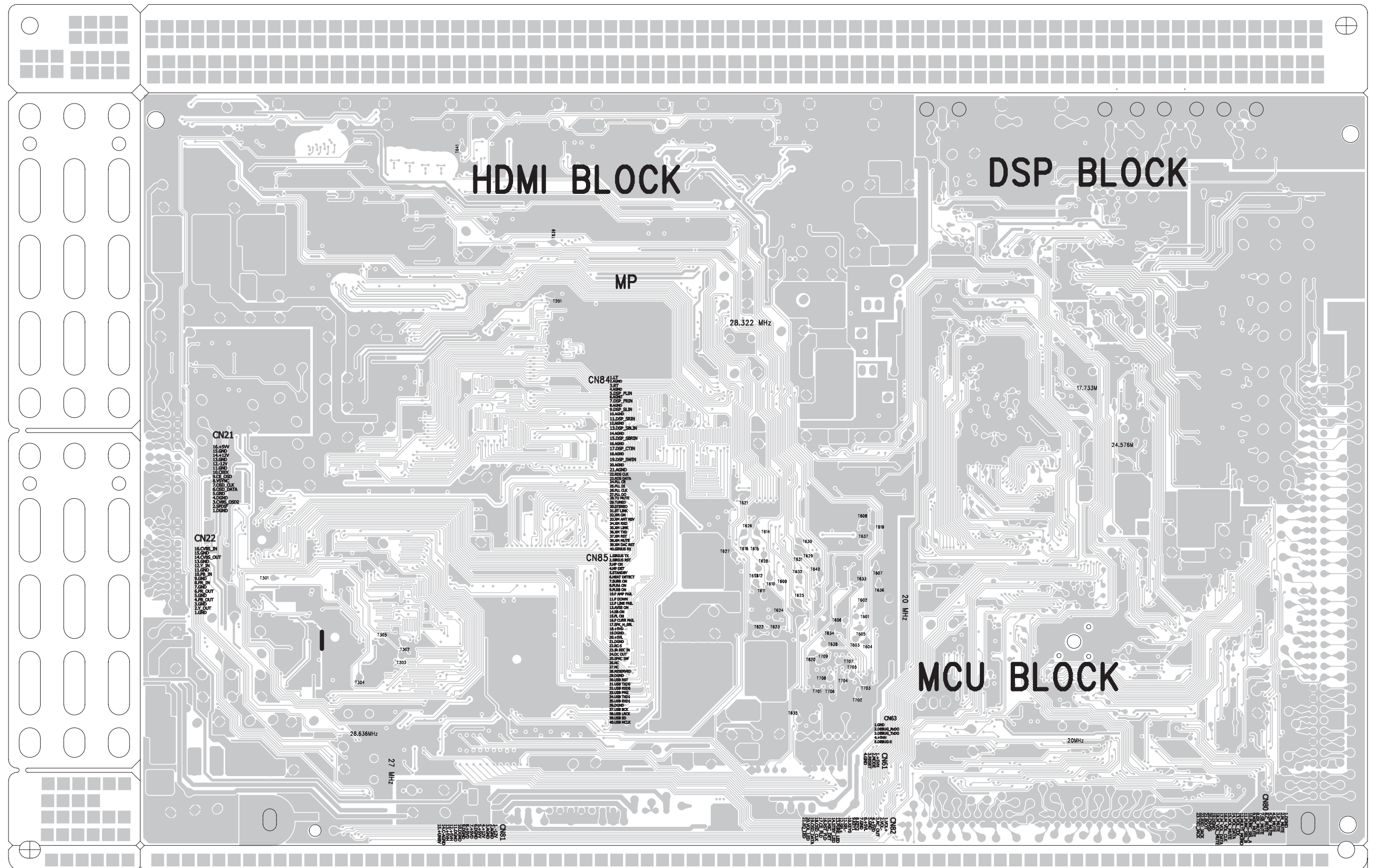
RELAY PWB

INPUT PWB

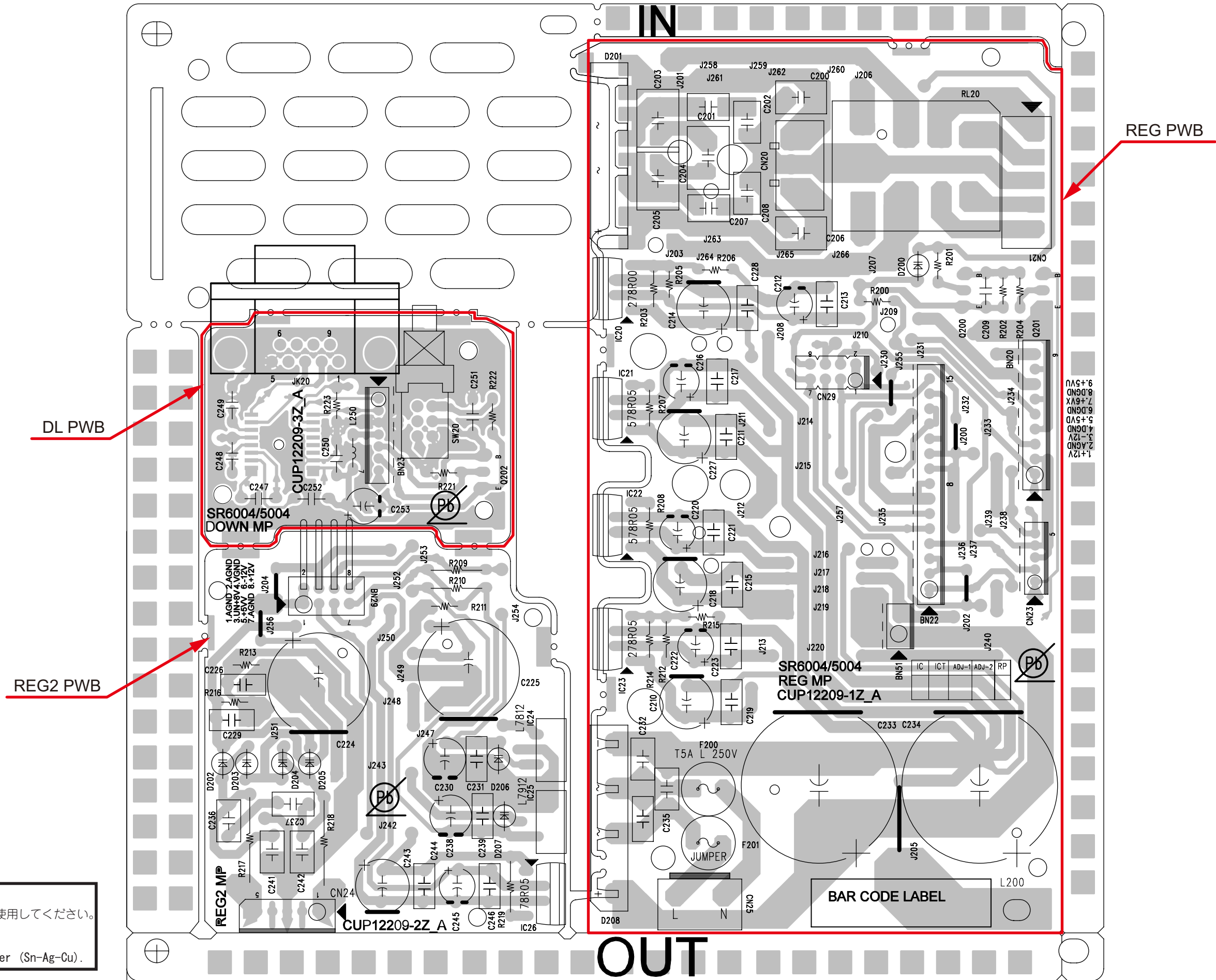
鉛フリー半田
半田付けには、鉛フリー半田(Sn-Ag-Cu)を使用してください。
Lead-free Solder
When soldering, use the Lead-free Solder (Sn-Ag-Cu).



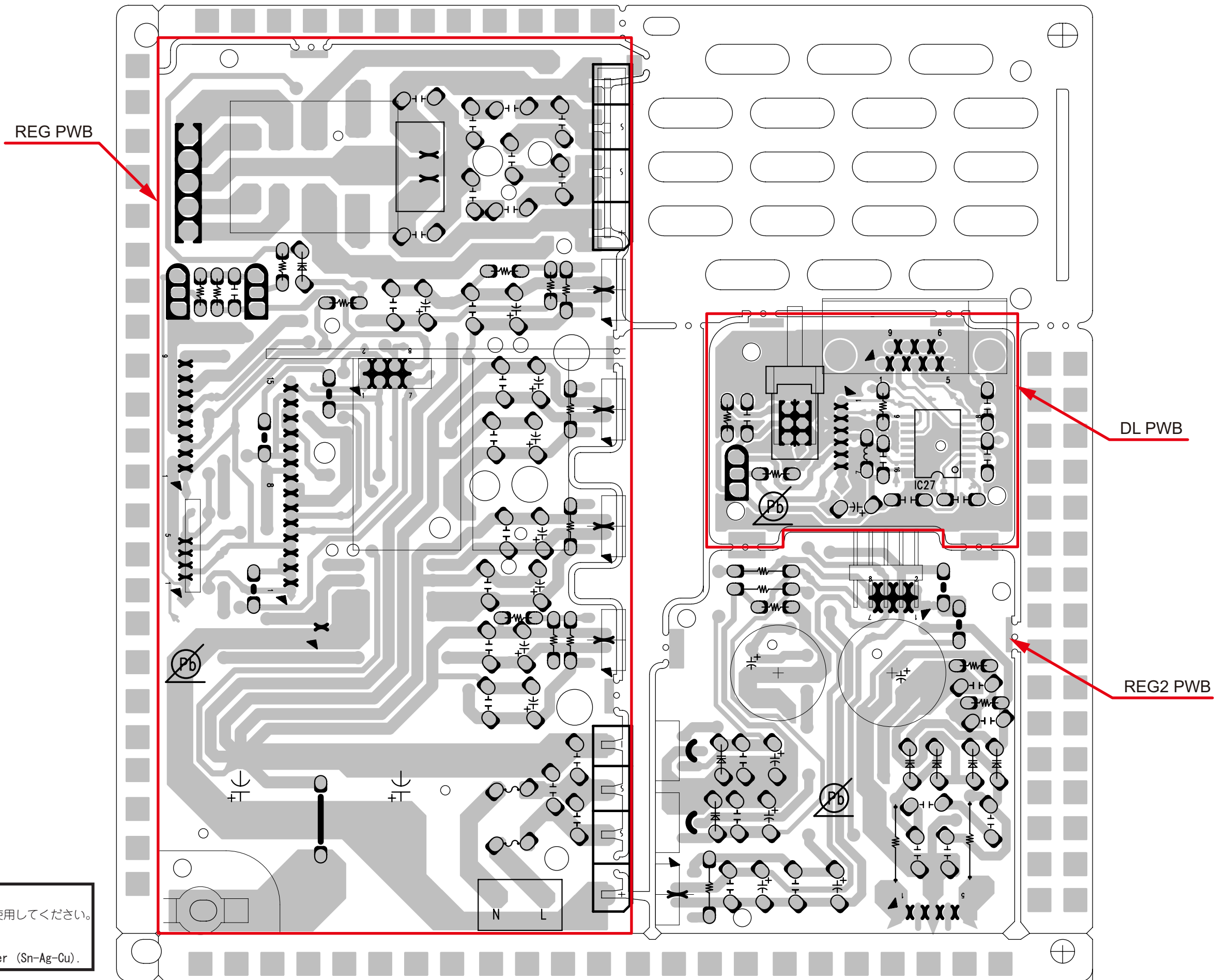
鉛フリー半田
半田付けには、鉛フリー半田(Sn-Ag-Cu)を使用してください。
Lead-free Solder
When soldering, use the Lead-free Solder (Sn-Ag-Cu).



鉛フリー半田
 半田付けには、鉛フリー半田(Sn-Ag-Cu)を使用してください。
 Lead-free Solder
 When soldering, use the Lead-free Solder (Sn-Ag-Cu).

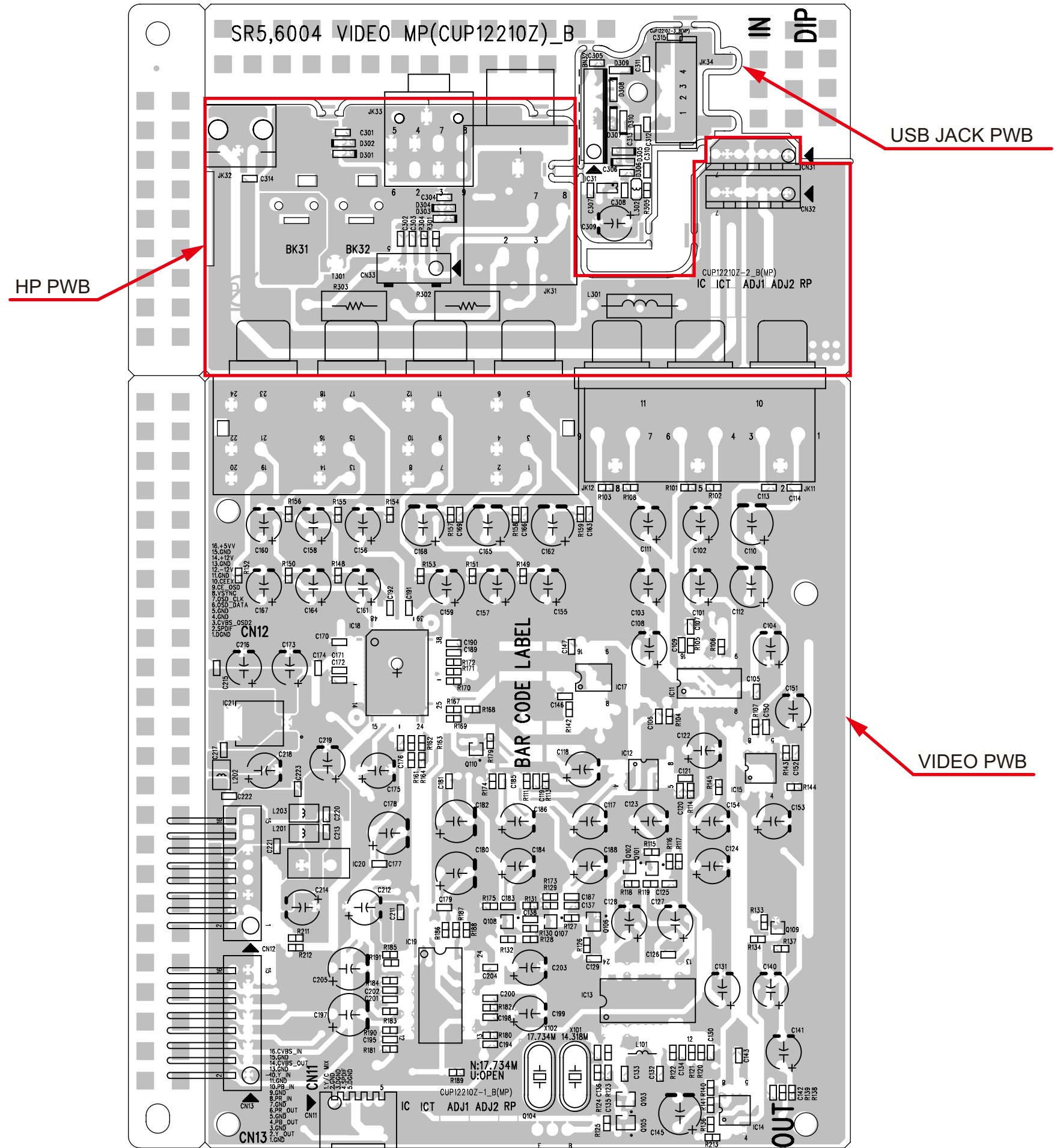


鉛フリー半田
半田付けには、鉛フリー半田(Sn-Ag-Cu)を使用してください。
Lead-free Solder
When soldering, use the Lead-free Solder (Sn-Ag-Cu).

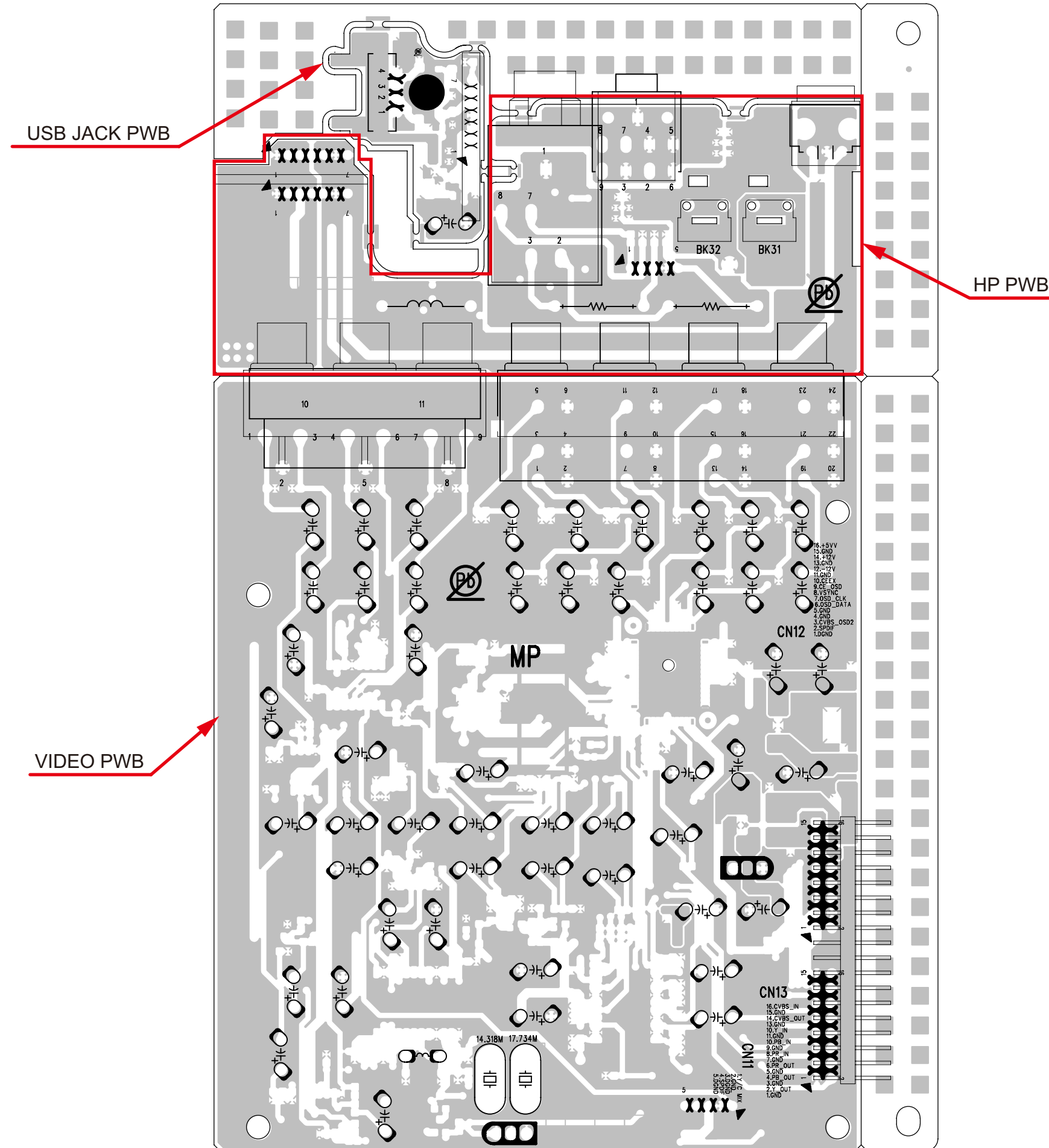


鉛フリー半田
半田付けには、鉛フリー半田(Sn-Ag-Cu)を使用してください。

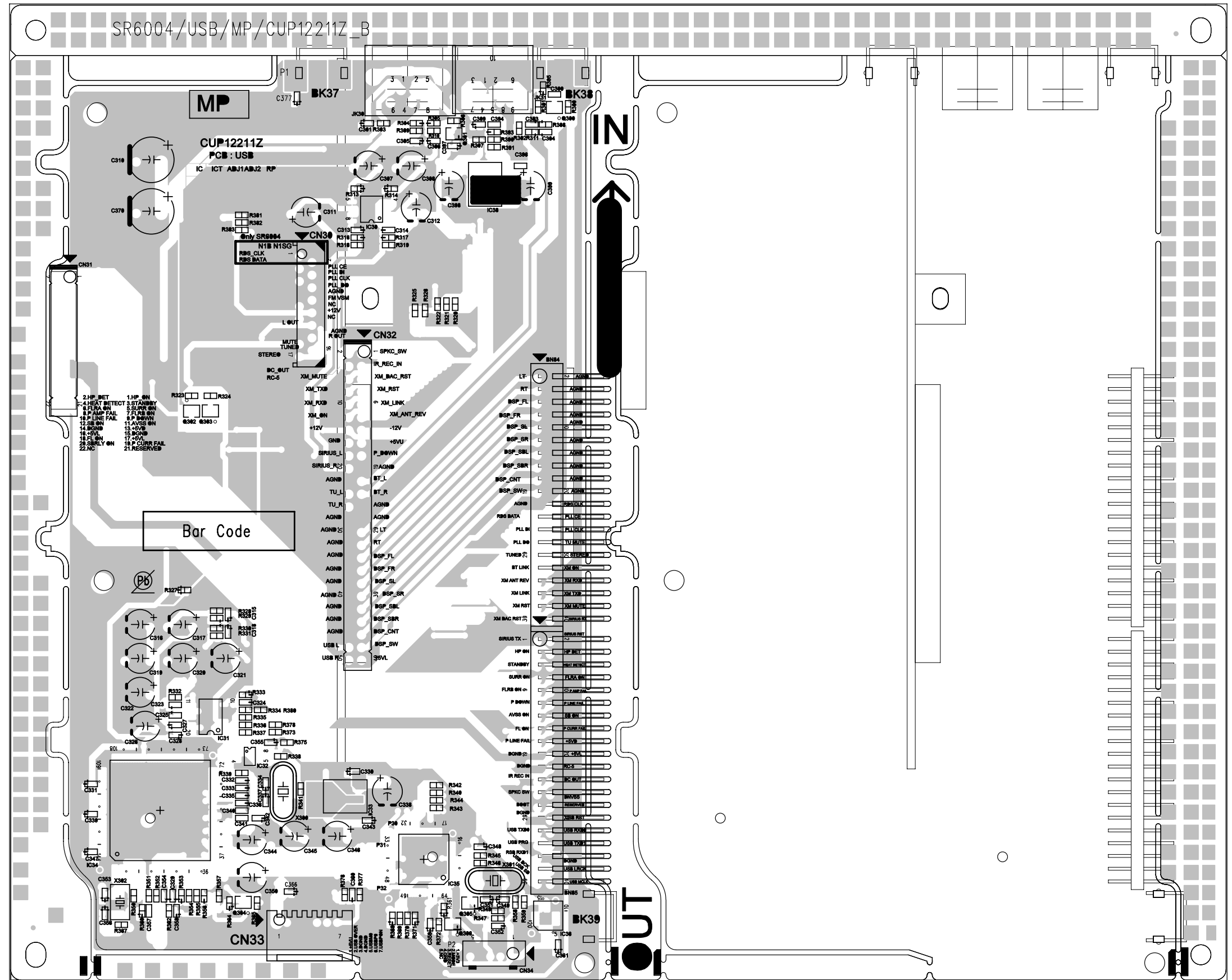
Lead-free Solder
When soldering, use the Lead-free Solder (Sn-Ag-Cu).



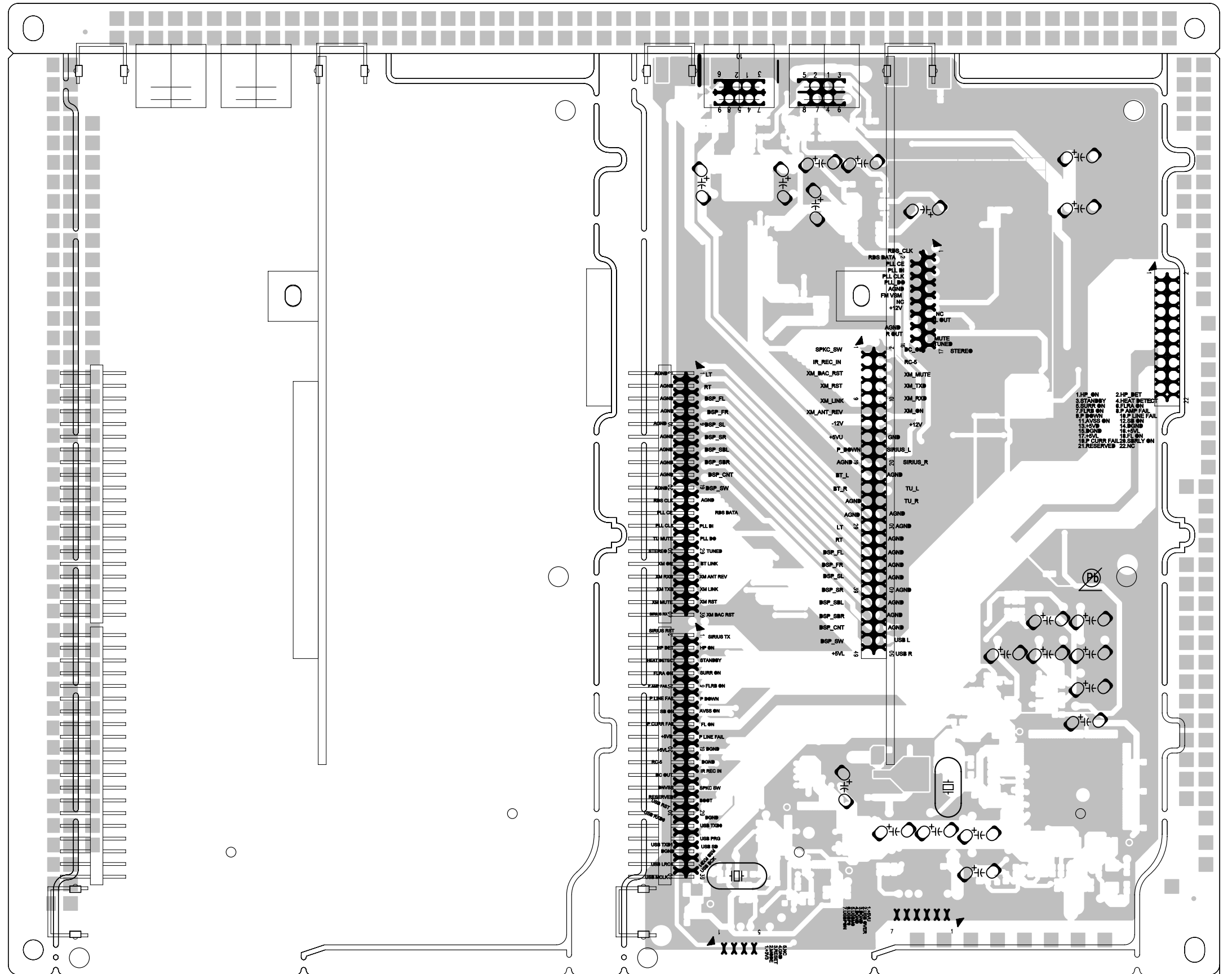
鉛フリー半田
 半田付けには、鉛フリー半田(Sn-Ag-Cu)を使用してください。
 Lead-free Solder
 When soldering, use the Lead-free Solder (Sn-Ag-Cu).



鉛フリー半田
 半田付けには、鉛フリー半田(Sn-Ag-Cu)を使用してください。
 Lead-free Solder
 When soldering, use the Lead-free Solder (Sn-Ag-Cu).

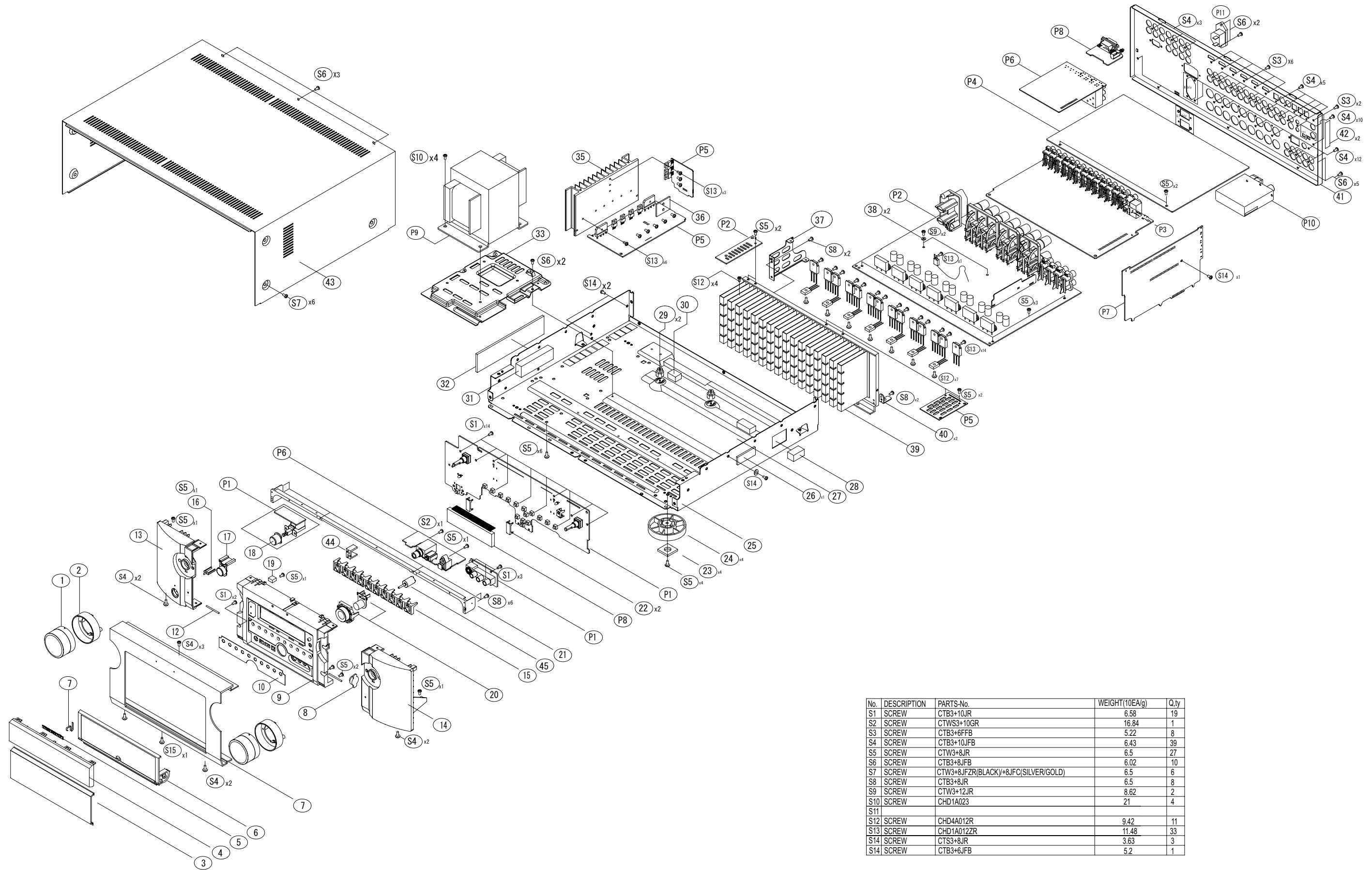


鉛フリー半田
半田付けには、鉛フリー半田(Sn-Ag-Cu)を使用してください。
Lead-free Solder
When soldering, use the Lead-free Solder (Sn-Ag-Cu).



鉛フリー半田
半田付けには、鉛フリー半田(Sn-Ag-Cu)を使用してください。
Lead-free Solder
When soldering, use the Lead-free Solder (Sn-Ag-Cu).

14. EXPLODED VIEW AND PARTS LIST



No.	DESCRIPTION	PARTS-No.	WEIGHT(10EA/g)	Q.ty
S1	SCREW	CTB3+10JR	6.58	19
S2	SCREW	CTWS3+10GR	16.84	1
S3	SCREW	CTB3+6FFB	5.22	8
S4	SCREW	CTB3+10JFB	6.43	39
S5	SCREW	CTW3+8JR	6.5	27
S6	SCREW	CTB3+8JFB	6.02	10
S7	SCREW	CTW3+8JFZR(BLACK)+8JFC(SILVER/GOLD)	6.5	6
S8	SCREW	CTB3+8JR	6.5	8
S9	SCREW	CTW3+12JR	8.62	2
S10	SCREW	CHD1A023	21	4
S11				
S12	SCREW	CHD4A012R	9.42	11
S13	SCREW	CHD1A012ZR	11.48	33
S14	SCREW	CTS3+8JR	3.63	3
S14	SCREW	CTB3+6JFB	5.2	1

P.W.B. NAME	POS. NO.	VERS. COLOR	PART NO. (FOR EUR)	PART NO. (MZ)	PARTNAME	DESCRIPTION
	1	N1B	412410005014M	412410005014M	KNOB	KNOB VOLUME BL CGK1A133YA
	1	/U1B	nsp	412410005014M	KNOB	KNOB VOLUME BL CGK1A133YA
	1	/FB	nsp	412410005014M	KNOB	KNOB VOLUME BL CGK1A133YA
	1	N1SG	943412002020M	943412002020M	KNOB	KNOB VOLUME SG CGK1A133XA
	1	/K1SG	nsp	943412002020M	KNOB	KNOB VOLUME SG CGK1A133XA
	2	N1B	424510002017M	424510002017M	ESCUTCHEON	VOLUME RING BL CGR1A449B37
	2	/U1B	nsp	424510002017M	ESCUTCHEON	VOLUME RING BL CGR1A449B37
	2	/FB	nsp	424510002017M	ESCUTCHEON	VOLUME RING BL CGR1A449B37
	2	N1SG	943424002030M	943424002030M	ESCUTCHEON	RING VOLUME SG CGR1A449RMD10
	2	/K1SG	nsp	943424002030M	ESCUTCHEON	RING VOLUME SG CGR1A449RMD10
	3	N1B	943415004150M	943415004150M	DOOR	FRONT AL DOOR SR6003 BL CKM1A202C23
	3	/U1B	nsp	943415004150M	DOOR	FRONT AL DOOR SR6003 BL CKM1A202C23
	3	/FB	nsp	943415004150M	DOOR	FRONT AL DOOR SR6003 BL CKM1A202C23
	3	N1SG	943415004160M	943415004160M	DOOR	FRONT AL DOOR SR6003 SG CKM1A202C62
	3	/K1SG	nsp	943415004160M	DOOR	FRONT AL DOOR SR6003 SG CKM1A202C62
	4		943416008500M	943416008500M	WINDOW	WINDOW CGU1A422A12X
	5		421410006004M	421410006004M	BADGE	MARANTZ BADGE (AL) M1 MODEL CGB1A206
	6	N1B	943454004170M	943454004170M	HOLDER	DOOR HOLDER SR6003 BL CGR1A454B37
	6	/U1B	nsp	943454004170M	HOLDER	DOOR HOLDER SR6003 BL CGR1A454B37
	6	/FB	nsp	943454004170M	HOLDER	DOOR HOLDER SR6003 BL CGR1A454B37
	6	N1SG	943454004180M	943454004180M	HOLDER	DOOR HOLDER SR6003 SG CGR1A454RMD10
	6	/K1SG	nsp	943454004180M	HOLDER	DOOR HOLDER SR6003 SG CGR1A454RMD10
	7	N1B	943402008510M	943402008510M	PANEL	FRONT PANEL CKM1A201RC23
	7	U1B	nsp	943402008520M	PANEL	FRONT PANEL CKM1A201SC23
	7	N1SG	943402008530M	943402008530M	PANEL	FRONT PANEL CKM1A201RC62
	7	/K1SG	nsp	943402008530M	PANEL	FRONT PANEL CKM1A201RC62
	7	FB	nsp	943402008540M	PANEL	FRONT PANEL CKM1A201TC23
	8		943474004230M	943474004230M	DAMPER	DAMPER GEAR SR6003 CDG1A027W
	9	N1B	943189008640M	943189008640M	CHASSIS	PANEL , SUB SR6003/N1B CGW2A459B37
	9	/U1B	nsp	943189008640M	CHASSIS	PANEL , SUB SR6003/N1B CGW2A459B37
	9	/FB	nsp	943189008640M	CHASSIS	PANEL , SUB SR6003/N1B CGW2A459B37
	9	N1SG	943101008660M	943101008660M	CHASSIS	PANEL , SUB SR6003/N1SG CGW2A459RMD10
	9	/K1SG	nsp	943101008660M	CHASSIS	PANEL , SUB SR6003/N1SG CGW2A459RMD10
	10	N1B	943101008670M	943101008670M	SHEET	SHEET , ORNAMENT CGX1A410X
	10	/U1B	nsp	943101008670M	SHEET	SHEET , ORNAMENT CGX1A410X
	10	/FB	nsp	943101008670M	SHEET	SHEET , ORNAMENT CGX1A410X
	10	N1SG	943101008680M	943101008680M	SHEET	SHEET , ORNAMENT CGX1A410W
	10	/K1SG	nsp	943101008680M	SHEET	SHEET , ORNAMENT CGX1A410W
	12		00M10BW112010	00M10BW112010	SHAFT	SHAFT BASE CDF1A018
	13	N1B	943422003520M	943422003520M	ESCUTCHEON	ESCUTCHEON L ON/OFF BL CGW1A460RNB37
	13	U1B	nsp	943422003530M	ESCUTCHEON	ESCUTCHEON L STANDBY BL CGW1A460RNXB37
	13	/FB	nsp	943422003530M	ESCUTCHEON	ESCUTCHEON L STANDBY BL CGW1A460RNXB37
	13	N1SG	943422003560M	943422003560M	ESCUTCHEON	ESCUTCHEON L ON/OFF SG CGW1A460ROYD10
	13	/K1SG	nsp	943422003560M	ESCUTCHEON	ESCUTCHEON L ON/OFF SG CGW1A460ROYD10
	14	N1B	943422003540M	943422003540M	ESCUTCHEON	ESCUTCHEON R BL CGW1A461RNB37
	14	/U1B	nsp	943422003540M	ESCUTCHEON	ESCUTCHEON R BL CGW1A461RNB37
	14	/FB	nsp	943422003540M	ESCUTCHEON	ESCUTCHEON R BL CGW1A461RNB37
	14	N1SG	943422003570M	943422003570M	ESCUTCHEON	ESCUTCHEON R SG CGW1A461ROD10
	14	/K1SG	nsp	943422003570M	ESCUTCHEON	ESCUTCHEON R SG CGW1A461ROD10
	15	N1B	943411004290M	943411004290M	BUTTON	FUNCTION BUTTON BL CBT1A1082
	15	/U1B	nsp	943411004290M	BUTTON	FUNCTION BUTTON BL CBT1A1082
	15	/FB	nsp	943411004290M	BUTTON	FUNCTION BUTTON BL CBT1A1082
	15	N1SG	943411004280M	943411004280M	BUTTON	FUNCTION BUTTON SG CBT1A1082RMD10
	15	/K1SG	nsp	943411004280M	BUTTON	FUNCTION BUTTON SG CBT1A1082RMD10

P.W.B. NAME	POS. NO.	VERS. COLOR	PART NO. (FOR EUR)	PART NO. (MZ)	PARTNAME	DESCRIPTION
	16		00M10BW355010	00M10BW355010	LENS	INDICATOR POWER CGL1A231
	17	U1B	nsp	411510015017M	BUTTON	BUTTON POWER TACT BL CBT1A1072
	17	/FB	nsp	411510015017M	BUTTON	BUTTON POWER TACT BL CBT1A1072
	18	N1B	411510016027M	411510016027M	BUTTON	BUTTON POWER PUSH BL CBC1A166
	18	N1SG	943411001970M	943411001970M	BUTTON	BUTTON POWER SW SG CBC1A166RMD10
	18	/K1SG	nsp	943411001970M	BUTTON	BUTTON POWER SW SG CBC1A166RMD10
	19		00M10BW305010	00M10BW305010	MAGNET	MAGNET BASE CJC1A008
	20	N1B	943411004310M	943411004310M	BUTTON	ENTER BUTTON BL CBT1A1083Z
	20	/U1B	nsp	943411004310M	BUTTON	ENTER BUTTON BL CBT1A1083Z
	20	/FB	nsp	943411004310M	BUTTON	ENTER BUTTON BL CBT1A1083Z
	20	N1SG	943411004300M	943411004300M	BUTTON	ENTER BUTTON SG CBT1A1083RMYD10
	20	/K1SG	nsp	943411004300M	BUTTON	ENTER BUTTON SG CBT1A1083RMYD10
	21		nsp	nsp	BRACKET	BRACKET BODY AV8003 CMD1A668
	22		nsp	nsp	BRACKET	BRACKET FLT CMD1A468
	23		00M32CW107010	00M32CW107010	SHEET	CUSHION FOOT CHG1A360
	24		00M243W057210	00M243W057210	LEG	LEG FOR SILVER CKL2A042H46
	25		nsp	nsp	CHASSIS	CHASSIS , BOTTOM SR6004 CUA3A302
	26		nsp	nsp	BUFFER	CUSHION SUPPORT CHG1A305
	27		nsp	nsp	BUFFER	H=9.5(15X20) CHG1A104
	28		nsp	nsp	BUFFER	RUBBER(CR) CHG1A465
	29		nsp	nsp	HOLDER	HOLDER PWB CHE170
	30		nsp	nsp	BUFFER	RUBBER H=16 (15X20) CHG1A160
	31		nsp	nsp	BUFFER	CUSHION , TRANS(SR6004) CHG2A433
	32		nsp	nsp	BUFFER	CUSHION , TRANS(SR6004) CHG2A432
	33		nsp	nsp	BURAKET	BRACKET , TRANS SR6004 CMD1A732
	35		nsp	nsp	HEATSINK	SINK , HEAT SR6004 CMY1A332
	36		nsp	nsp	HEATSINK	HEAT SINK CMY2A311
	37		nsp	nsp	BURAKET	BRACKET , TRANS SR6004 CMD1A733
	38		nsp	nsp		WASHER , GROUND CNW1A035
	39		nsp	nsp	HEATSINK	HEAT SINK SR6004 CMY1A333
	40		nsp	nsp	BURAKET	BRACKET , PWB SR6004 CMD1A734
	41	N1B	nsp	nsp	PANEL	PANEL , REAR CKF4A411Z
	41	/N1SG	nsp	nsp	PANEL	PANEL , REAR CKF4A411Z
	41	U1B	nsp	nsp	PANEL	PANEL , REAR CKF5A411Z
	41	K1SG	nsp	nsp	PANEL	PANEL , REAR CKF6A411Z
	41	FB	nsp	nsp	PANEL	PANEL , REAR CKF7A411Z
	42		nsp	nsp	TAPE	TAPE HEMELON CHS1A032
	44		00M10BW355020	00M10BW355020	LENS	INDICATOR THX CGL1A232
	45		00M03CW355010	00M03CW355010	LENS	HDMI INDICATOR CGL1A245Z
			nsp	nsp	CORD	2P WIRE ASSY 80MM CWZSR5003BN91A
			90M-FC500030R	90M-FC500030R	FERRITE CORE	FERRITE RING 29X7.7X19 CLZ9W003Z
			nsp	nsp	CORD	2P WIRE ASSY 80MM CWZSR5003BN91
		U1B	nsp	943606004620S	FPC	15P 150MM 1.25MM B 10MM CWC4C4A15B150B10
		/K1SG	nsp	943606004620S	FPC	15P 150MM 1.25MM B 10MM CWC4C4A15B150B10
		/FB	nsp	943606004620S	FPC	15P 150MM 1.25MM B 10MM CWC4C4A15B150B10
		N1B	943606008570S	943606008570S	FPC	CABLE , CARD (17P,1.25MM,150MM,B,10MM) CWC4C4A17B150B10
		/N1SG	943606008570S	943606008570S	FPC	CABLE , CARD (17P,1.25MM,150MM,B,10MM) CWC4C4A17B150B10
			943606008580S	943606008580S	FPC	CABLE , CARD (21P, 1.25MM,180MM,B,10MM) CWC4C4A21B180B10
			943606008590S	943606008590S	FPC	CABLE , CARD (23P, 100MM, 1.25MM) CWC4C4A23B100B10
			943606008600S	943606008600S	FPC	CABLE , CARD (SHIELD, 15P, 180MM, 1.25MM) CWC4C4A15B180B10001

P.W.B. NAME	POS. NO.	VERS. COLOR	PART NO. (FOR EUR)	PART NO. (MZ)	PARTNAME	DESCRIPTION
	P1	N1B	nsp	nsp	PWB ASSY	SR6004/5004/N FRONT PWB ASS'Y COP12205B
	P1	/N1SG	nsp	nsp	PWB ASSY	SR6004/5004/N FRONT PWB ASS'Y COP12205B
	P1	/K1SG	nsp	nsp	PWB ASSY	SR6004/5004/N FRONT PWB ASS'Y COP12205B
	P1	U1B	nsp	nsp	PWB ASSY	SR6004/5004/U FRONT PWB ASS'Y COP12205N
	P1	/FB	nsp	nsp	PWB ASSY	SR6004/5004/U FRONT PWB ASS'Y COP12205N
	P2	N1B	nsp	nsp	PWB ASSY	SR6004/N MAIN PWB ASS'Y COP12206B
	P2	/N1SG	nsp	nsp	PWB ASSY	SR6004/N MAIN PWB ASS'Y COP12206B
	P2	K1SG	nsp	nsp	PWB ASSY	SR6004/K MAIN PWB ASS'Y COP12206C
	P2	U1B	nsp	nsp	PWB ASSY	SR6004/U MAIN PWB ASS'Y COP12206N
	P2	FB	nsp	nsp	PWB ASSY	SR6004/F MAIN PWB ASS'Y COP12206U
	P3	N1B	nsp	nsp	PWB ASSY	SR6004/5004/NFK INPUT PWB ASS'Y COP12208B
	P3	/N1SG	nsp	nsp	PWB ASSY	SR6004/5004/NFK INPUT PWB ASS'Y COP12208B
	P3	/K1SG	nsp	nsp	PWB ASSY	SR6004/5004/NFK INPUT PWB ASS'Y COP12208B
	P3	FB	nsp	nsp	PWB ASSY	SR6004/5004/NFK INPUT PWB ASS'Y COP12208B
	P3	U1B	nsp	nsp	PWB ASSY	SR6004/5004/U INPUT PWB ASS'Y COP12208N
	P4	N1B	943189008610M	943189008610M	PWB ASSY	SR6004/UN HDMI PWB ASS'Y COP12207B
	P4	/N1SG	943189008610M	943189008610M	PWB ASSY	SR6004/UN HDMI PWB ASS'Y COP12207B
	P4	K1SG	nsp	943189008620M	PWB ASSY	SR6004/K HDMI PWB ASS'Y COP12207C
	P4	U1B	nsp	943189008630M	PWB ASSY	SR5004/U HDMI PWB ASS'Y COP12207N
	P4	FB	nsp	943189008640M	PWB ASSY	SR6004/F HDMI PWB ASS'Y COP12207U
	P5	N1B	nsp	nsp	PWB ASSY	SR6004/NK REG PWB ASS'Y COP12209B
	P5	/N1SG	nsp	nsp	PWB ASSY	SR6004/NK REG PWB ASS'Y COP12209B
	P5	/K1SG	nsp	nsp	PWB ASSY	SR6004/NK REG PWB ASS'Y COP12209B
	P5	FB	nsp	nsp	PWB ASSY	SR6004/NK REG PWB ASS'Y COP12209B
	P5	U1B	nsp	nsp	PWB ASSY	SR6004/U REG PWB ASS'Y COP12209N
	P6	N1B	nsp	nsp	PWB ASSY	SR6004/NK VIDEO PWB ASS'Y COP12210B
	P6	/N1SG	nsp	nsp	PWB ASSY	SR6004/NK VIDEO PWB ASS'Y COP12210B
	P6	/K1SG	nsp	nsp	PWB ASSY	SR6004/NK VIDEO PWB ASS'Y COP12210B
	P6	U1B	nsp	nsp	PWB ASSY	SR6004/UF VIDEO PWB ASS'Y COP12210N
	P6	/FB	nsp	nsp	PWB ASSY	SR6004/UF VIDEO PWB ASS'Y COP12210N
	P7	N1B	nsp	nsp	PWB ASSY	SR6004/N USB PWB ASS'Y COP12211B
	P7	/N1SG	nsp	nsp	PWB ASSY	SR6004/N USB PWB ASS'Y COP12211B
	P7	K1SG	nsp	nsp	PWB ASSY	SR6004/K USB PWB ASS'Y COP12211C
	P7	/FB	nsp	nsp	PWB ASSY	SR6004/K USB PWB ASS'Y COP12211C
	P7	U1B	nsp	nsp	PWB ASSY	SR6004/U USB PWB ASS'Y COP12211N
	P8		943172003730M	943172003730M	DISPLAY	V.F.D CFL17ST10GINAK
	△P9	N1B	943101008650M	943101008650M	TRANSF.	TRANS , POWER SR5004/6004 EUR CLT5W034YE
	△P9	/N1SG	943101008650M	943101008650M	TRANSF.	TRANS , POWER SR5004/6004 EUR CLT5W034YE
	△P9	U1B	nsp	943101008660M	TRANSF.	TRANS , POWER SR5004/6004 USA CLT5W034YU
	△P9	K1SG	nsp	943101008670M	TRANSF.	TRANS , POWER SR5004/6004 CHINA CLT5W034YH
	△P9	FB	nsp	943101008680M	TRANSF.	TRANS , POWER SR5004/6004 JAPAN CLT5W034YJ
	P10	N1SG	90M-AV000400R	90M-AV000400R	TUNER	TUNER MODULE(EUR) CNVMB114MA18L
	P10	/N1SG	90M-AV000400R	90M-AV000400R	TUNER	TUNER MODULE(EUR) CNVMB114MA18L
	P10	U1B	nsp	90M-AV000570R	TUNER	MODULE , TUNER USA CNVMB014MA08LS
	P10	K1SG	nsp	90M-AV000420R	TUNER	MODULE , TUNER (CHINA) CNVMB014MA18L
	P10	FB	nsp	90M-AV000540R	TUNER	MODULE , TUNER (JAPAN) CNVMB015MA18L
	△P11		00MYJ04002640	00MYJ04002640	INLET	RECEPTACLE,AC(15A/250V,R-301,B21) CJJ8A006ZW
			90M-FC500120R	90M-FC500120R	FERRITE CORE	FERRITE , CORE CLZ9Z070Z
PACKING						
		N1B	541110361035M	541110361035M	USER GUIDE	MANUAL , INSTRUCTION CQX1A1477Z
		/N1SG	541110361035M	541110361035M	USER GUIDE	MANUAL , INSTRUCTION CQX1A1477Z
		U1B	nsp	541110361028M	USER GUIDE	MANUAL , INSTRUCTION CQX1A1476Z

P.W.B. NAME	POS. NO.	VERS. COLOR	PART NO. (FOR EUR)	PART NO. (MZ)	PARTNAME	DESCRIPTION	
		K1SG	nsp	541110361059M	USER GUIDE	MANUAL , INSTRUCTION	CQX1A1482Z
		FB	nsp	541110361011M	USER GUIDE	MANUAL , INSTRUCTION	CQX1A1479Z
	⚠	N1B	90M-ZC000320R	90M-ZC000320R	MAINS CORD	! MAINS CORD 2WIRE 10A/250V	CJA2B054Z
	⚠	/N1SG	90M-ZC000320R	90M-ZC000320R	MAINS CORD	! MAINS CORD 2WIRE 10A/250V	CJA2B054Z
	⚠	U1B	nsp	90M-ZC000310R	MAINS CORD	! MAINS CORD UL 032508/12	CJA2A070Z
	⚠	K1SG	nsp	90M-ZC000650R	MAINS CORD	! MAINS CORD FOR K	CJA2N075Z
	⚠	FB	nsp	90M-ZC000350R	MAINS CORD	! MAINS CORD 12A/125V	CJA2J076Z
			943324008690M	943324008690M	UNIT KIT	MICROPHONE ASS'Y WITH FERRITE CORE	CJXSR5004A
			943307008750M	943307008750M	UNIT KIT	REMOTE CONTROLLER RC007SR	CARTSR6004
NOT STANDARD SPARE PART							
			00M27DW801010	00M27DW801010	PACKING CASE	BOX , OUT CARTON SR6004	CPG1A868Q
			943533002050M	943533002050M	CUSHION	PAD , SNOW L	CPS2A823
			943533002060M	943533002060M	CUSHION	PAD , SNOW R	CPS2A824
		N1B	00M27DW805010	00M27DW805010	MASS CARTON	BOX , MASTER SR6004	CPG1A869U
		/N1SG	00M27DW805010	00M27DW805010	MASS CARTON	BOX , MASTER SR6004	CPG1A869U
	43	N1B	nsp	00M07BW257010	LID	TOP COVER (BLACK)	CKC1A155K117
	43	/U1B	nsp	00M07BW257010	LID	TOP COVER (BLACK)	CKC1A155K117
	43	/FB	nsp	00M07BW257010	LID	TOP COVER (BLACK)	CKC1A155K117
	43	N1SG	943403002040M	943403002040M	LID	TOP COVER SG	CKC1A155D11
	43	/K1SG	nsp	943403002040M	LID	TOP COVER SG	CKC1A155D11
		N1B	90M-ZA000210R	90M-ZA000210R	ANTENNA	ANT FM WIRE (PIGTAIL)	CSA1A007
		/N1SG	90M-ZA000210R	90M-ZA000210R	ANTENNA	ANT FM WIRE (PIGTAIL)	CSA1A007
		/K1SG	nsp	90M-ZA000210R	ANTENNA	ANT FM WIRE (PIGTAIL)	CSA1A007
		/FB	nsp	90M-ZA000210R	ANTENNA	ANT FM WIRE (PIGTAIL)	CSA1A007
		U1B	nsp	90M-ZA000290R	ANTENNA	FM 1 POL ANT(UL)	CSA1A033Z

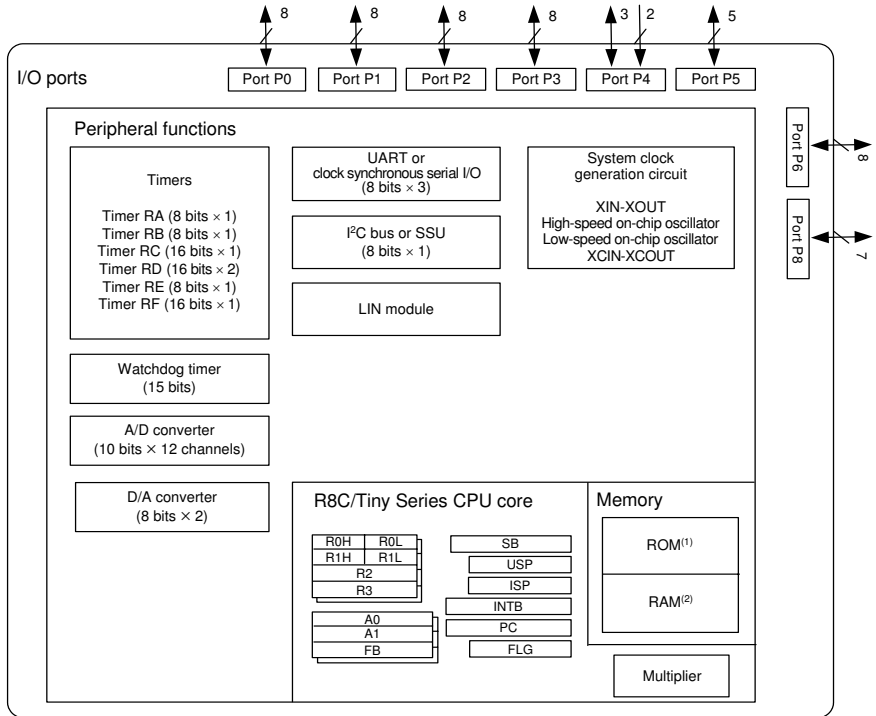
15. MICROPROCESSOR AND IC DATA

IC35 : R5F212AASNFP(R8C/2A) [SR6004 : USB]

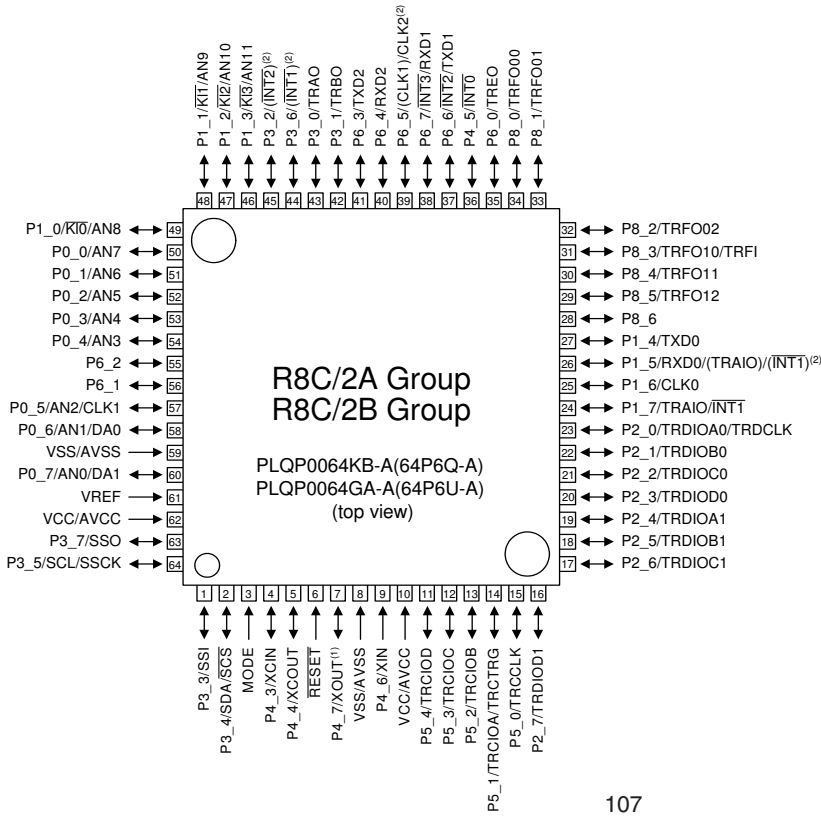
Pin No	Port Name	I/O	Use	Name	PortSetup		Note
					Act.	Init	
1	P33/SSI	I/O	I	NO USE	-	H	Pull up to +3.3V
2	P34/SDA/SCS	I/O	SDA	SDA	-	H	SDA for Authentication IC
3	MODE	I	I	MODE	L	H	L:Bootmode/H:Normal Operation
4	P43/XCIN	I/O	O	NO USE	-	L	Open
5	P44/XCOUT	I/O	O	NC	-	L	Open
6	RESET	I	I	RESET	L	H	Reset Input
7	P47/XOUT	(I/O)	O	XOUT	-	-	X'tal 20MHz Output
8	VSS/AVSS	-	-	GND	-	-	GND
9	P46/XIN	I(O)	I	XIN	-	-	X'tal 20MHz Input
10	VCC/AVCC	I	I	+3.3V	-	-	+3.3V
11	P54/TRCIOD	I/O	O	NO USE	-	L	Open
12	P53/TRCIOA	I/O	O	NO USE	-	L	Open
13	P52/TRCIOB	I/O	O	NO USE	-	L	Open
14	P51/TRCIOA/TRCTR	I/O	O	NO USE	-	L	Open
15	P50/TRCCLK	I/O	O	NO USE	-	L	Open
16	P27/TRDIOD1	I/O	O	NO USE	-	L	Open
17	P26/TRDIOC1	I/O	O	NO USE	-	L	Open
18	P25/TRDIOB1	I/O	O	NO USE	-	L	Open
19	P24/TRDIOA1	I/O	O	NO USE	-	L	Open
20	P23/TRDIOD0	I/O	O	NO USE	-	L	Open
21	P22/TRDIOC0	I/O	O	NO USE	-	L	Open
22	P21/TRDIOB0	I/O	O	NO USE	-	L	Open
23	P20/TRDIOA0/TRDCLK	I/O	O	NO USE	-	L	Open
24	P17/TRAIO/INT1	I/O	O	NO USE	-	L	Open
25	P16/CLK0	I/O	O	NO USE	-	L	Open
26	P15/RXD0/(TRAIO)/(INT1)	I/O	I	RXD0	-	H	UART Control Input
27	P14/TXD0	I/O	O	TXD0	-	H	UART Control Output
28	P86	I/O	O	NO USE	-	L	Open
29	P85/TRFO12	I/O	O	NO USE	-	L	Open
30	P84/TRFO11	I/O	O	NO USE	-	L	Open
31	P83/TRFO10/TRFI	I/O	O	NO USE	-	L	Open
32	P82/TRFO02	I/O	O	NO USE	-	L	Open
33	P81/TRFO01	I/O	O	NO USE	-	L	Open
34	P80/TRFO00	I/O	O	DAC_RST	L	H	Reset Input
35	P60/TRE0	I/O	I	IPOD_ERR	L	H	iPod_Error
36	P45/INT0	I/O	O	NO USE	-	L	Open
37	P66/INT2/TXD1	I/O	TXD	TXD1	-	H	UART Program Output
38	P67/INT3/RXD1	I/O	RXD	RXD1	-	H	UART Program Input
39	P65/(CLK1)/CLK2	I/O	O	SCK	-	H	SCK to USB Controller
40	P64/RXD2	I/O	RXD	SO	-	H	SO from USB Controller
41	P63/TXD2	I/O	TXD	SI	-	H	SI to USB Controller
42	P31/TRBO	I/O	O	RTS	-	H	RTS to USB Controller
43	P30/TRAO	I/O	O	USB_RST	L	H	Reset Input
44	P36/(INT1)	I/O	O	STBY	L	H	Standby Output
45	P32/(INT2)	I/O	I	CTS	-	H	CTS from USB Controller
46	P13/KI3/AN11	I/O	KIN	DDI	↑	L	Operation Pulse Input
47	P12/KI2/AN10	I/O	O	MSB_LSB	-	L	LSB_MSB First Select Output
48	P11/KI1/AN9	I/O	O	NO USE	-	L	Open
49	P10/KI0/AN8	I/O	ANA	NO USE	-	-	Reserved
50	P00/AN7	I/O	ANA	HW_REV	-	-	Hardware Revision Detect
51	P01/AN6	I/O	O	NO USE	-	L	Open
52	P02/AN5	I/O	O	NO USE	-	L	Open
53	P03/AN4	I/O	O	NO USE	-	L	Open
54	P04/AN3	I/O	O	NO USE	-	L	Open
55	P62	I/O	O	NO USE	-	L	Open
56	P61	I/O	O	NO USE	-	L	Open
57	P05/AN2/CLK1	I/O	O	NO USE	-	L	Open
58	P06/AN1/DA0	I/O	O	NO USE	-	L	Open
59	VSS/AVSS	I	I	GND	-	-	GND
60	P07/AN0/DA1	I/O	O	I2C_RST	L	H	Reset for Authentication IC
61	VREF	-	-	+3.3V	-	-	Reference Input
62	VCC/AVCC	-	-	+3.3V	-	-	+3.3V
63	P37/SSO	I/O	I	NMI	L	L	Standby Input
64	P35/SCL/SSCK	I/O	SCL	SCL	-	H	SCL for Authentication IC

IC35 / IC61 : R5F212AASNFP(R8C/2A)

IC35 / IC61: R5F2122AASNFP



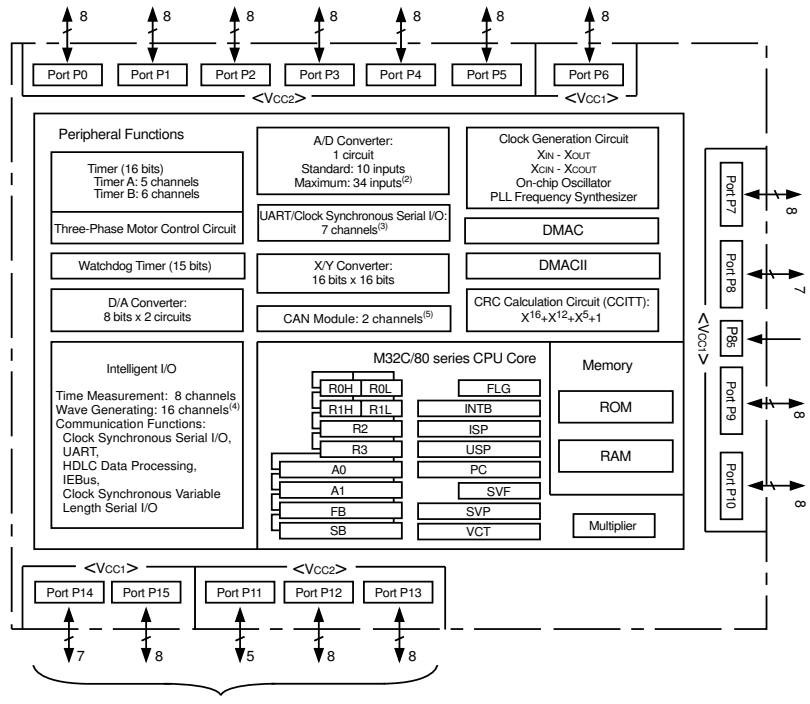
NOTES:
 1. ROM size varies with MCU type.
 2. RAM size varies with MCU type.



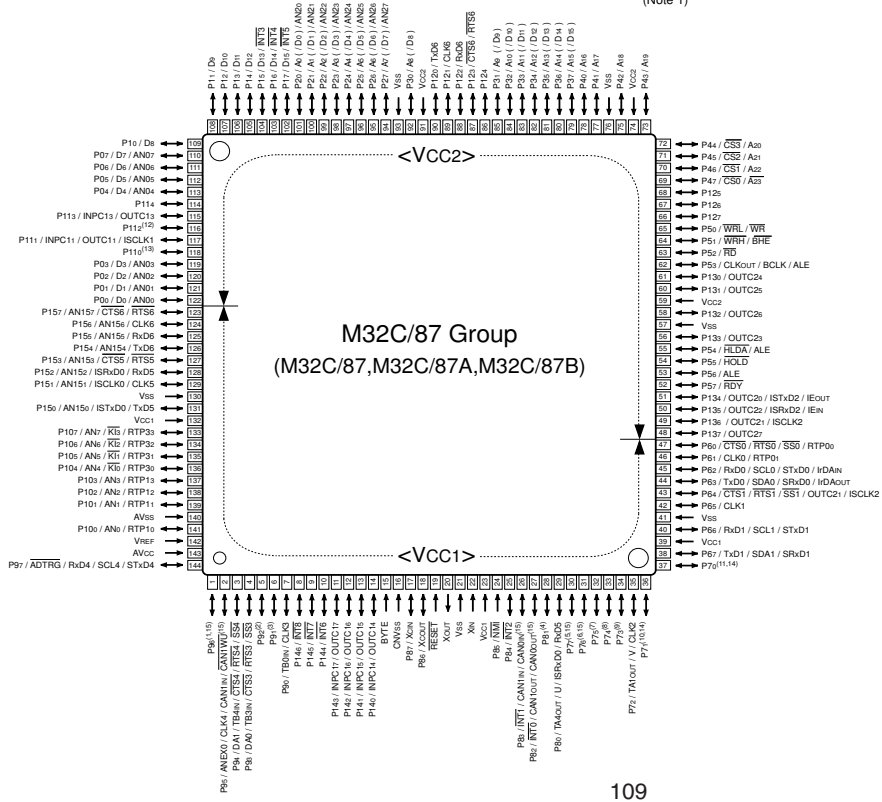
IC61 : R5F212AASNFP(R8C/2A) [SR6004 : HDMI]

pin No	Port Name	I/O	Use	Name	PortSetup		Note
					Act.	Init	
1	P33/SSI	I/O	0	HDMI_SCL	-	H	HDMI Devices Control
2	P34/SDA/SCS	I/O	SDA	CPU_SDA	-	H	Communication to Main CPU
3	MODE	I	I	MODE	L	H	L:Boot/H:Normal
4	P43/XCIN	I/O	0	O_HPDI_123	H	L	HPD Output for SRC1,2 and 3
5	P44/XCOUT	I/O	0	O_HPDI_4	H	L	HPD output for SRC4
6	RESET	I	I	_RST_HDMI_CPU	L	H	Reset Input
7	P47/XOUT	(I/O)	0	XO	-	-	X'tal 20MHz Output
8	VSS/AVSS	I	I	GND	-	-	GND
9	P46/XIN	I(O)	I	XI	-	-	X'tal 20MHz Input
10	VCC/AVCC	I	I	+5VH	-	-	+5V
11	P54/TRCIOD	I/O	0	O_5V_CH2	H	L	+5V Output for HDMI Output 2 (SR6004 only)
12	P53/TRCIOC	I/O	0	O_5V_CH1	H	L	+5V Output for HDMI Output 1
13	P52/TRCIOB	I/O	0	_RST_SW	L	H	HDMI SW Device Reset
14	P51/TRCIOA/TRCTRG	I/O	0	_RST_TX	L	H	HDMI TX Device Reset
15	P50/TRCCLK	I/O	0	_RST_RX	L	H	HDMI RX Device Reset
16	P27/TRDIOD1	I/O	0	DEBUG_O7	-	L	For Debug Use
17	P26/TRDIOC1	I/O	0	DEBUG_O6	-	L	For Debug Use
18	P25/TRDIOB1	I/O	0	DEBUG_O5	-	L	For Debug Use
19	P24/TRDIOA1	I/O	0	DEBUG_O4	-	L	For Debug Use
20	P23/TRDIOD0	I/O	0	DEBUG_O3	-	L	For Debug Use
21	P22/TRDIOC0	I/O	0	DEBUG_O2	-	L	For Debug Use
22	P21/TRDIOB0	I/O	0	DEBUG_O1	-	L	For Debug Use
23	P20/TRDIOA0/TRDCLK	I/O	0	DEBUG_O0	-	L	For Debug Use
24	P17/TRAIO/INT1	I/O	I	INT_TX	L	H	HDMI TX Device INT
25	P16/CLK0	I/O	0	DEBUG_X	-	L	For Debug Use
26	P15/RXD0/(TRAIO)/(INT1)	I/O	RXD	DEBUG_RXD0	-	H	UART for Debug
27	P14/TXD0	I/O	TXD	DEBUG_TXD0	-	H	UART for Debug
28	P86	I/O	0	NO USE	-	-	Pull down to GND
29	P85/TRFO12	I/O	0	NO USE	-	-	Pull down to GND
30	P84/TRFO11	I/O	0	SW_CLK_SEL	L	H	Audio Clock Select L:HDMI MCLK Enable/H:DIR
31	P83/TRFO10/TRF1	I/O	0	SW_I2S_DSD	H	L	Audio Data Select H:DSD/L:Other
32	P82/TRFO02	I/O	0	RSEN_DET	H	H	H: P10,P11 active/L: not use RSEN
33	P81/TRFO01	I/O	0	SW_VIDEO2	L	H	Select Video Decoder
34	P80/TRFO00	I/O	0	SW_VIDEO1	L	H	Select Video Scaler
35	P60/TRE0	I/O	I	Rx_MUTEOUT	H	L	HDMI Rx Device MUTEOUT
36	P45/INT0	I/O	I	INT_RX	L	H	HDMI RX Device INT
37	P66/INT3/RXD1	I/O	TXD	AUX_TXD	-	H	UART Output for Program
38	P67/INT3/RXD1	I/O	RXD	AUX_RXD	-	H	UART Input for Program
39	P65/(CLK1)/CLK2	I/O	I	NO USE	-	L	Pull down to GND
40	P64/RXD2	I/O	RXD	DEBUG_RxD1	-	H	UART Input for Debug
41	P63/TXD2	I/O	TXD	DEBUG_TxD1	-	H	UART Output for Debug
42	P31/TRBO	I/O	I	SW1	H	L	Pull down to GND
43	P30/TRAO	I/O	I	SW0	H	L	Pull down to GND
44	P36/(INT1)	I/O	I	INT_SW	L	H	HDMI SW Device INT
45	P32/(INT2)	I/O	I	_SCDT	L	H	HDMI RX Device SCDT
46	P13/KI3/AN11	I/O	0	SW_SPDIF	-	L	S/PDIF Select Reserved
47	P12/KI2/AN10	I/O	0	NO USE	-	L	Pull down to GND
48	P11/KI1/AN9	I/O	I	RSEN_OUT1	H	L	Sink TMDS pull-up detect for output1 (SR6004 only)
49	P10/KI0/AN8	I/O	I	RSEN_OUT2	H	L	Sink TMDS pull-up detect for output2 (SR6004 only)
50	P00/AN7	I/O	I	I_HPDI_CH1	H	L	HPD Input from HDMI Output 1
51	P01/AN6	I/O	I	I_HPDI_CH2	H	L	HPD Input from HDMI Output 2 (SR6004 only)
52	P02/AN5	I/O	I	I_5V_CH1	H	L	+5V from HDMI Input 1
53	P03/AN4	I/O	I	I_5V_CH2	H	L	+5V from HDMI Input 2
54	P04/AN3	I/O	I	I_5V_CH3	H	L	+5V from HDMI Input 3
55	P62	I/O	I	I_5V_CH4	H	L	+5V from HDMI Input 4 (SR6004 only)
56	P61	I/O	0	WP_4	L	H	Write protect for EEP-ROM, L:RW protect/H:RW enable (SR6004 only)
57	P05/AN2/CLK1	I/O	I	I_5V_CH4	-	-	Pull down to GND
58	P06/AN1/DA0	I/O	I	I_5V_CH5	-	-	Pull down to GND
59	VSS/AVSS	I	I	GND	-	-	GND
60	P07/AN0/DA1	I/O	I	I_5V_CH6	-	-	Pull down to GND
61	VREF	I	I	+5VH	-	-	+5V
62	VCC/AVCC	I	I	+5VH	-	-	+5V
63	P37/SSO	I/O	I/O	HDMI_SDA	-	H	HDMI Devices Control
64	P35/SCL/SSCK	I/O	SCL	CPU_SCL	-	H	Communication to Main CPU

IC105 : M3087BFKBGP [SR6004 : HDMI] 



(Note 1)



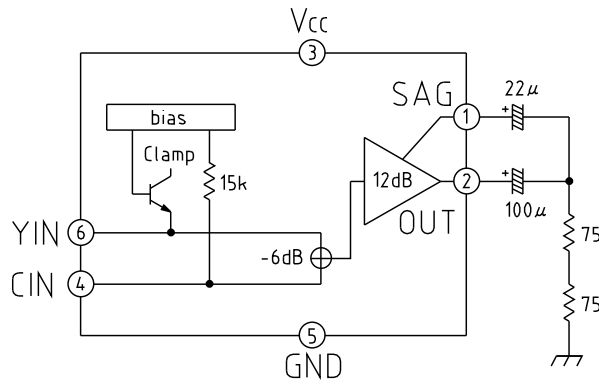
IC105 : M3087BFKBGP [SR6004 : HDMI]

Pin No	Port Name	Vcc	I/O Volt	I/O	Use	STBY	Name	PortSetup		Note
								Act.	Init	
1	P9-6/ANEX1/TxD4/SDA4/SRxD4	P1	+5V	I/O	I/O	I	DMP_TX	-	L	USB CPU UART Output (SR6004 only)
2	P9-5/ANEX0/CLK4/	P1	+5V	I/O	O	I	M_VOL_DTA	-	L	ZONE A Volume Data (BD3812)
3	P9-4/DA1/TB4in/ CTS4/ RTS4/ SS4	P1	+5V	I/O	O	I	M_VOL_CLK	-	L	ZONE A Volume Clock (BD3812)
4	P9-3/DA0/TB3in/ CTS3/ RTS3/ SS3	P1	+5V	I/O	T_IN	I	IR_REC_IN	-	-	IR Flasher Input
5	P9-2/TB2in/TxD3/SDA3/SRxD3/ OUTC20/IEout/ISTxD2	P1	+5V	I/O	T_IN	I	VSYNC	↑	-	V-Sync Detect (LC74782)
6	P9-1/TB1in/RxD3/SCL3/STxD3/IEin/ISRxD2	P1	+5V	I/O	O	I	CE_OSD	L	H	OSD Enable (LC74782)
7	P9-0/TB0in/CLK3	P1	+5V	I/O	T_IN	I	RC_IN	↑ ↓	-	RC-5 (D-BUS) Input
8	P14-6/ INT8	P1	+5V	I/O	INT	I	WAKEUP	↑	-	CPU Standby Mode Release
9	P14-5/ INT7	P1	+5V	I/O	INT	I	_AMUTE0	L	H	Mute Control from DSP (DA788)
10	P14-4/ INT6	P1	+5V	I/O	O	I	XM_MUTE	H	-	XM Mute (U.S.A. version only)
11	P14-3/INPC1-7/OUTC1-7	P1	+5V	I/O	SO	O	OSD_DAT	-	L	Front FL, OSD and Expander Data (NJW1321, LC74782, CD4094)
12	P14-2/INPC1-6/OUTC1-6	P1	+5V	I/O	SC	I	OSD_CLK	-	L	Front FL, OSD and Expander Clock (NJW1321, LC74782, CD4094)
13	P14-1/INPC1-5/OUTC1-5	P1	+5V	I/O	O	I	_CE_EX	L	H	Serial to Parallel Expnder for Video Strobe (CD4094)
14	P14-0/INPC1-4/OUTC1-4	P1	+5V	I/O	O	O(Lo)	S2P_EN	-	L	Port Expander Enable (CD4094)
15	BYTE	P1	+5V	I	I	I	BYTE	H	L	Pull down to GND
16	CNVss	P1	+5V	I	I	I	CNVSS	H	L	H : Boot Mode/ L: Normal Operation
17	P8-7/Xcin	P1	+5V	I/O	I	I	RDS_DAT	H	L	Tuner RDS Data Input (Tuner Pack)
18	P8-6/Xcout	P1	+5V	I/O	I	I	BT_DET	L	H	M-XPport detect, L:Enable, H:Disable
19	RESET	P1	+5V	I	YES	I	RESET	L	H	Reset Input
20	Xout	P1	+5V	O	YES	I	Xout	-	-	X'tal (20MHz)
21	Vss	Vss		I	-	I	VSS	-	-	GND
22	Xin	P1	+5V	I	YES	I	Xin	-	-	X'tal (20MHz)
23	Vcc1	P1Vcc	+5V	I	YES	I	VCC1	-	-	+5V
24	P8-5/ NMI	P1	+5V	I	I	I	NMI	H	H	Pull Up to +5VL
25	P8-4/ INT2	P1	+5V	I/O	INT	I	_P_DOWN	L	-	Power Down Detect
26	P8-3/ INT1	P1	+5V	I/O	INT	I	RDS_CLK	-	-	Tuner RDS Clock (Tuner Pck)
27	P8-2/ INT0	P1	+5V	I/O	I	I	TU_SD	L	H	Tuner Tuned (Tuner Pack)
28	P8-1/TA4in/ U/INPC1-5/OUTC1-5/ CTS5/ RTS5/RTP2-3	P1	+5V	I/O	I	I	TU_ST	H	-	Tuner FM Stereo (Tuner Pack)
29	P8-0/TA4out/U/ISRxD0/RxD5	P1	+5V	I/O	O	I	TU_MUTE	H	H	Tuner Mute (Tuner Pack)
30	P7-7/TA3in/INPC1-4/OUTC1-4/ ISCLK0/CLK5/RTP2-2	P1	+5V	I/O	O	I	_CE_TU	L	L	Tuner PLL Enable (Tuner Pack)
31	P7-6/TA3out/INPC1-3/OUTC1-3/ISTxD0/TxD5	P1	+5V	I/O	O	I	TUD_OUT	-	L	Tuner PLL Data Output (Tuner Pack)
32	P7-5/TA2in/ W/INPC1-2/ISRxD1/RTP2-1	P1	+5V	I/O	O	I	TUCLK	-	L	Tuner PLL Clock (Tuner Pack)
33	P7-4/TA2out/W/INPC1-1/ OUTC1-1/ISCLK1/RTP2-0	P1	+5V	I/O	T_OUT	I	RC_OUT	-	H	RC-5 (D-BUS) Output
34	P7-3/TA1in/ V/ CTS2/ RTS2/ SS2/INPC1-0/ OUTC1-0/ISTxD1	P1	+5V	I/O	I	I	TUDIN	-	L	Tuner PLL Data Input (Tuner Pack)
35	P7-2/TA1out/V/CLK2	P1	+5V	O		I	ERMUTE	-	L	ERMUTE for Muting Transister Control
36	P7-1/TA0in/TB5in/RxD2/SCL2/STxD2/INPC1-7/ OUTC1-7/OUTC2-2/ISRxD2/IEin/RTP0-3	P1	+5V	I/O	SC	I	V_SCL	-	H	I2C Clock for Video Devices (ADV7401/ADV7342)
37	P7-0/TA0out/TxD2/SDA2/SRxD2/INPC1-6/ OUTC1-6/OUTC2-0/ISTxD2/IEout/RTP0-2	P1	+5V	I/O	SIO	I	V_SDA	-	H	I2C Data for Video Devices (ADV7401/ADV7342)
38	P6-7/TxD1/SDA1/SRxD1	P1	+5V	I/O	SC	O	TXD	-	H	RS-232C Output
39	Vcc1	P1Vcc	+5V	I	YES	I	VCC1	-	-	+5V'
40	P6-6/RxD1/SCL1/STxD1	P1	+5V	I/O	SI	I	RXD	-	H	RS-232C Input
41	Vss	Vss		I	-	I	VSS	-	-	GND
42	P6-5/CLK1	P1	+5V	I/O	O	O(Lo)	S2P_STB	-	H	Port Expander Strobe
43	P6-4/ CTS1/ RTS1/ SS1/OUTC2-1/ISCLK2	P1	+5V	I/O	I	I	SPKC_DET	H	L	Speaker-C Switch
44	P6-3/TxD0/SDA0/SRxD0/IRDAout	P1	+5V	I/O	SIO	I	HDMI_SDA	-	H	I2C Data for HDMI CPU
45	P6-2/RxD0/SCL0/STxD0/IRDAin	P1	+5V	I/O	SC	I	HDMI_SCL	-	H	I2C Clock for HDMI CPU
46	P6-1/CLK0/RTP0-1	P1	+5V	I/O	O	I	RS232_SW	-	-	RS232C SW1 CONTROL
47	P6-0/ CTS0/ RTS0/ SS0/RTP0-0	P1	+5V	I/O	O	I	RS232_SW2	L	-	RS232C SW2 CONTROL
48	P13-7/OUTC2-7	P2	+3.3V	I/O	O	I	HDMI_RST	H	H	HDMI CPU Reset
49	P13-6/OUTC2-1/ISCLK2	P2	+3.3V	I/O	SC	O(Lo)	SPIO_CLK	-	L	Serial Clock Output for DSP (DA788)
50	P13-5/OUTC2-2/ISRxD2/IEin	P2	+3.3V	I/O	SI	I	SPIO_SOMI	-	L	Serial Data Input from DSP (DA788)
51	P13-4/OUTC2-0/ISTxD2/IEout	P2	+3.3V	I/O	SO	I	SPIO_SIMO	-	H	Serial Data Output for DSP (DA788)
52	P5-7/ RDY	P2	+3.3V	I/O	I	I	IPSD_WAIT	-	-	Wait from Video Scaler
53	P5-6/ALE	P2	+3.3V	I/O	O	I	NO USE	L	-	No Use
54	P5-5/ HOLD	P2	+3.3V	I/O	I	I	BOOT	-	-	L : Boot Mode/ H: Normal Operation
55	P5-4/ HLDA/ALE	P2	+3.3V	I/O	O	I	HLDA/ALE	L	-	No Use
56	P13-3/OUTC2-3	P2	+3.3V	I/O	O	I	S_MUTE	H	H	SL/SR Mute
57	Vss	Vss		I	-	I	VSS	-	-	GND
58	P13-2/OUTC2-6	P2	+3.3V	I/O	O	I	F_MUTE	H	H	L/R Mute
59	Vcc2	P2Vcc	+3.3V	I	YES	I	VCC2	-	-	+3.3V
60	P13-1/OUTC2-5	P2	+3.3V	I/O	O	I	M_MUTE	H	H	ZONE A Mute
61	P13-0/OUTC2-4	P2	+3.3V	I/O	O	I	C_MUTE	H	H	Center Mute
62	P5-3/CLKout/BCLK/ALE	P2	+3.3V	I/O	O	I	IPSD_CLK	-	H	Video Scaler Clock
63	P5-2/ RD	P2	+3.3V	I/O	O	I	IPSD_RD	L	-	Video Scaler Read
64	P5-1/ WRH/ BHE	P2	+3.3V	I/O	O	I	BHE	-	-	No Use
65	P5-0/ WRL/ WR	P2	+3.3V	I/O	O	I	IPSD_WR	L	-	Video Scaler Write
66	P12-7	P2	+3.3V	I/O	I	I	MIC_DET	L	H	Microphone Jack Switch Input
67	P12-6	P2	+3.3V	I/O	O	I	SW_MUTE	H	L	SW Mute
68	P12-5	P2	+3.3V	I/O	O	I	CVBS_OSD2	H	L	OSD select L:Disable, H:Enable (Via IC33)
69	P4-7/ CS0/ A23	P2	+3.3V	I/O	O	I	IPSD_CS0	-	-	Video Scaler CS0
70	P4-6/ CS1/A22	P2	+3.3V	I/O	O	I	_CS1	-	-	No Use
71	P4-5/ CS2/A21	P2	+3.3V	I/O	O	I	_CS2	-	-	No Use
72	P4-4/ CS3/A20	P2	+3.3V	I/O	O	I	_CS3	-	-	No Use
73	P4-3/A19	P2	+3.3V	I/O	O	I	SB_MUTE	H	H	SBL/SBR Mute
74	Vcc2	P2Vcc	+3.3V	I	YES	I	VCC2	-	-	+3.3V
75	P4-2/A18	P2	+3.3V	I/O	O	I	CEFL	L	L	Front FL Driver Chip Serect
76	Vss	Vss		I	-	I	VSS	-	-	GND
77	P4-1/A17	P2	+3.3V	I/O	I	I	SEL-	L	H	Front Select Knob Encoder -
78	P4-0/A16	P2	+3.3V	I/O	I	I	SEL+	L	H	Front Select Knob Encoder +
79	P3-7/A15/(D15)	P2	+3.3V	I/O	I/O	I	A15/D15	-	-	No Use
80	P3-6/A14/(D14)	P2	+3.3V	I/O	I/O	I	A14/D14	-	-	No Use

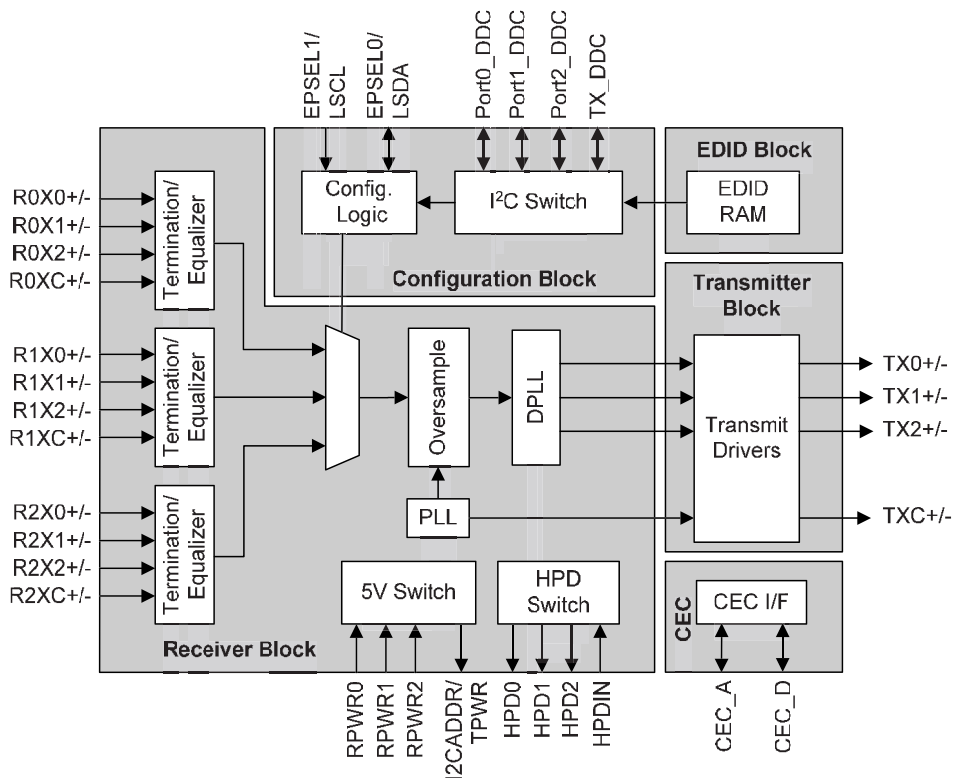
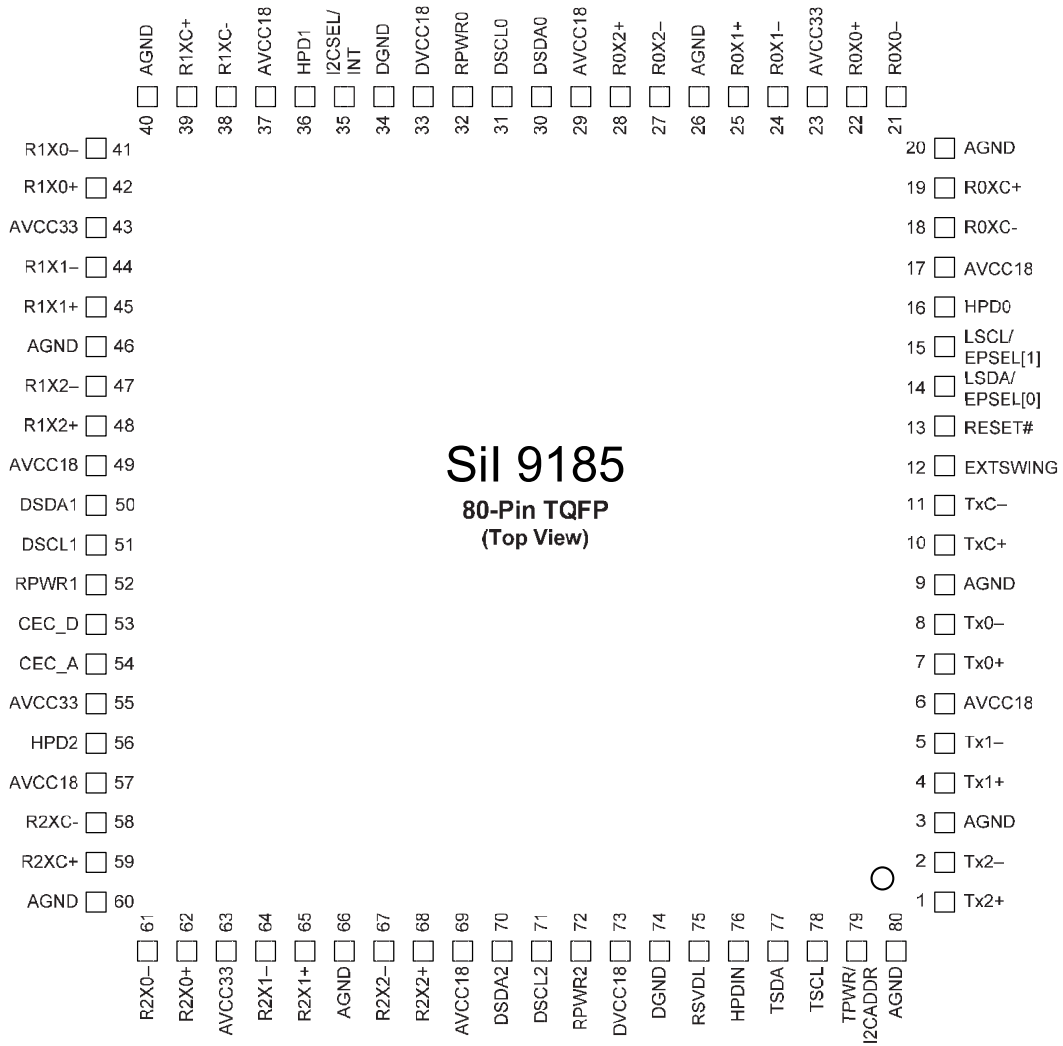
81	P3-5/A13/(D13)	P2	+3.3V	I/O	I/O	I	A13/D13	-	-	No Use
82	P3-4/A12/(D12)	P2	+3.3V	I/O	I/O	I	A12/D12	-	-	No Use
83	P3-3/A11/(D11)	P2	+3.3V	I/O	I/O	I	A11/D11	-	-	No Use
84	P3-2/A10/(D10)	P2	+3.3V	I/O	I/O	I	A10/D10	-	-	No Use
85	P3-1/A9/(D9)	P2	+3.3V	I/O	I/O	I	A9/D9	-	-	No Use
86	P12-4	P2	+3.3V	I/O	I	I	VOL-	L	H	Front Volume Knob Encoder -
87	P12-3/ CTS6/ RTS6	P2	+3.3V	I/O	I	I	VOL+	L	H	Front Volume Knob Encoder +
88	P12-2/RxD6	P2	+3.3V	I/O	SI	I	XM TXD	-	H	XM UART Output
89	P12-1/CLK6	P2	+3.3V	I/O	O	I	RST_FL_3	H	H	Front FL Driver Reset
90	P12-0/TxD6	P2	+3.3V	I/O	SO	O(Lo)	XM_RXD	-	H	XM UART Input
91	Vcc2	P2Vcc	+3.3V	I	YES	I	VCC2	-	-	+3.3V
92	P3-0/A8/(D8)	P2	+3.3V	I/O	I/O	I	A8/D8	-	-	No Use
93	Vss	Vss		I	-	I	VSS	-	-	GND
94	P2-7/A7/(D7)/AN2-7	P2	+3.3V	I/O	I/O	I	IPSD_DB7	-	-	Video Scaler DB7
95	P2-6/A6/(D6)/AN2-6	P2	+3.3V	I/O	I/O	I	IPSD_DB6	-	-	Video Scaler DB6
96	P2-5/A5/(D5)/AN2-5	P2	+3.3V	I/O	I/O	I	IPSD_DB5	-	-	Video Scaler DB5
97	P2-4/A4/(D4)/AN2-4	P2	+3.3V	I/O	I/O	I	IPSD_DB4	-	-	Video Scaler DB4
98	P2-3/A3/(D3)/AN2-3	P2	+3.3V	I/O	I/O	I	IPSD_DB3	-	-	Video Scaler DB3
99	P2-2/A2/(D2)/AN2-2	P2	+3.3V	I/O	I/O	I	IPSD_DB2	-	-	Video Scaler DB2
100	P2-1/A1/(D1)/AN2-1	P2	+3.3V	I/O	I/O	I	IPSD_DB1	-	-	Video Scaler DB1
101	P2-0/A0/(D0)/AN2-0	P2	+3.3V	I/O	I/O	I	IPSD_DB0	-	-	Video Scaler DB0
102	P1-7/D15/ INT5	P2	+3.3V	I/O	INT	I	CODEC_INT	-	-	CODEC Interrupt
103	P1-6/D14/ INT4	P2	+3.3V	I/O	INT	I	XM_LINK	L	H	XM Link Active (U.S.A. version only)
104	P1-5/D13/ INT3	P2	+3.3V	I/O	INT	I	HDMI_MUTE	-	-	HDMI Mute (Sii9134)
105	P1-4/D12	P2	+3.3V	I/O	I	I	DEC_INT	-	-	Video Decoder Interrupt(ADV7401)
106	P1-3/D11	P2	+3.3V	I/O	O	O	KILLIR	L	H	Kill to IR Input Signal L:Disable/H:Enable
107	P1-2/D10	P2	+3.3V	I/O	I	I	HP_DET	L	H	Head Phone Jack Insert Detect
108	P1-1/D9	P2	+3.3V	I/O	O	I	TI_RST	L	H	DSP Reset(DA788)
109	P1-0/D8	P2	+3.3V	I/O	O	I	SPIO_SCS	L	H	DSP Chip Select (DA788)
110	P0-7/D7/AN0-7	P2	+3.3V	I/O	I	I	SPIO_ENA	L	H	DSP Communication Enable(DA788)
111	P0-6/D6/AN0-6	P2	+3.3V	I/O	O	I	CODEC_CE	-	L	CODEC_Chip Enable
112	P0-5/D5/AN0-5	P2	+3.3V	I/O	O	I	CODEC_RST	-	L	CODEC Reset
113	P0-4/D4/AN0-4	P2	+3.3V	I/O	O	I	CODEC_CLK	L	L	CODEC Clock
114	P11-4	P2	+3.3V	I/O	O	I	CODEC_DO	-	L	CODEC Data output
115	P11-3/INPC1-3/OUTC1-3	P2	+3.3V	I/O	O	I	VOL_MUTE	H	-	Mai Volume Mute (R2A15218)
116	P11-2/INPC1-2/OUTC1-2/ISRxD1	P2	+3.3V	I/O	O	O	IICCLK	-	L	I2C Clock for E2PROM
117	P11-1/INPC1-1/OUTC1-1/ISCLK1	P2	+3.3V	I/O	I/O	I/O	IICDATA	-	L	I2C Data for E2PROM
118	P11-0/INPC1-0/OUTC1-0/ISTxD1	P2	+3.3V	I/O	I	I	ANT_REV	H	L	XM Antenna Revision (U.S.A. version only)
119	P0-3/D3/AN0-3	P2	+3.3V	I/O	I	I	HEAT_DET	L	-	High Temperature Detect
120	P0-2/D2/AN0-2	P2	+3.3V	I/O	I	I	PC_FAIL	L	-	Power Amp Over Current Detect
121	P0-1/D1/AN0-1	P2	+3.3V	I/O	I	I	PA_FAIL	L	-	Power Amp DC offset and Over Heat Detect
122	P0-0/D0/AN0-0	P2	+3.3V	I/O	I	I	PL_FAIL	L	-	Power Supply Unbalance Detect
123	P15-7/AN15-7/ CTS6/ RTS6	P1	+5V	I/O	O	I	VOL_DATA	-	L	Main Volume Data (R2A15218)
124	P15-6/AN15-6/CLK6	P1	+5V	I/O	O	I	VOL_CLK	-	L	Main VolumeClock (R2A15218)
125	P15-5/AN15-5/RxD6	P1	+5V	I/O	O	O(Lo)	S2P_CLK	-	L	Port Expander Clock(CD4094)
126	P15-4/AN15-4/TxD6	P1	+5V	I/O	O	O(Lo)	S2P_DATA	-	L	Port Expander Data(CD4094)
127	P15-3/AN15-3/ CTS5/ RTS5	P1	+5V	I/O	I	I	CODEC_DI	-	L	CODEC Data Input
128	P15-2/AN15-2/ISRxD0/RxD5	P1	+5V	I/O	Rx	I	SIRIUS_RX	-	-	SIRIUS UART Input (U.S.A. version only)
129	P15-1/AN15-1/ISCLK0/CLK5	P1	+5V	I/O	O	I	HDMI_MD	L	H	HDMI CPU H: Boot/L:Normal Operation
130	Vss	Vss		I	-	I	VSS	-	-	GND
131	P15-0/AN15-0/ISRxD0/TxD5	P1	+5V	I/O	Tx	I	SIRIUS_TX	-	-	SIRIUS UART Output (U.S.A. version only)
132	Vcc1	P1Vcc	+5V	I	YES	I	VCC1	-	-	+5V
133	P10-7/AN7/ KI3/RTP3-3	P1	+5V	I/O	AD	AD	MODE2	-	-	Model Name Setting
134	P10-6/AN6/ KI2/RTP3-2	P1	+5V	I/O	AD	AD	MODE1	-	-	Destination Setting
135	P10-5/AN5/ KI1/RTP3-1	P1	+5V	I/O	O	I	STANDBY_LED	L	-	Standby LED
136	P10-4/AN4/ KI0/RTP3-0	P1	+5V	I/O	O	I	STANDBY_RL	L	L	Standby Relay Control
137	P10-3/AN3/RTP1-3	P1	+5V	I/O	AD	AD	_5V_DOWN	-	-	+5VD Supply Voltage Detect
138	P10-2/AN2/RTP1-2	P1	+5V	I/O	AD	AD	KEY2	-	-	Front Key 2 Input
139	P10-1/AN1/RTP1-1	P1	+5V	I/O	AD	AD	KEY1	-	-	Front Key 1Input
140	Avss	AVss		I	-	I	AVSS	-	-	GND
141	P10-0/AN0/RTP1-0	P1	+5V	I/O	AD	AD	KEY0	-	-	Front Key 0 Input
142	Vref	Vref	+5V	I	YES	I	VCC	-	-	+5V
143	Avcc	AvccVcc	+5V	I	YES	I	AVCC	-	-	+5V
144	P9-7/ ADTRG/RxD4/SCL4/STxD4	P1	+5V	I/O	O	I	DMP_RX	-	L	USB CPU UART Input (SR6004 only)

IC10 : MM1512

Item	Symbol	Measurement conditions	Min.	Typ.	Max.	Unit
Consumption current	I_{CC}	Refer to measurement procedures		6.9	9.0	mA
Y input pin voltage	V_{YIN}	No-signal, no-load	1.95	2.15	2.35	V
C input pin voltage	V_{CIN}	No-signal, no-load	1.80	2.00	2.20	V
Output pin voltage	V_{OUT}	No-signal, no-load		1.10		V
Voltage gain	G_V	Refer to measurement procedures	5.5	6.0	6.5	dB
Frequency characteristic	f_c	Refer to measurement procedures	-1	0	+1	dB
Differential gain	DG	Refer to measurement procedures	-3	0	+3	%
Differential phase	DP	Refer to measurement procedures	-3	0	+3	deg
Y output dynamic range	V_{DY}	Refer to measurement procedures	2.6	2.9		V
C output dynamic range	V_{DC}	Refer to measurement procedures	2.0			V
C input impedance	Z_i			15		k Ω



IC11 : SII9185ACTU [HDMI]



IC11 : SII9185ACTU [HDMI]

System Switching Pins

Pin Name	Pin #	Type	Dir	Description
DSDA0, DSDA1, DSDA2	30, 50, 70	LVTTTL Schmitt Trigger, 5V tolerant	Input/ Output	DDC I ² C Data for respective port. Note 1.
DSCL0, DSCL1, DSCL2	31, 51, 71	LVTTTL Schmitt Trigger, 5V tolerant	Input	DDC I ² C Clock for respective port. Note 1.
RPWR0, RPWR1, RPWR2	32, 52, 72	LVTTTL, 5V Tolerant	Input	5V Port detection input for respective port. Connect to 5V signal from HDMI input connector.
HPD0, HDP1, HDP2	16, 36, 56	LVTTTL, 2mA, 5V Tolerant	Output	Hot Plug Detect Output for respective port. Connect to HOTPLUG of HDMI input connector.
HPDIN	76	LVTTTL, 5V Tolerant	Input	Hot Plug Detect Input.
TSCL	78	LVTTTL Schmitt Trigger, Open Drain 5V tolerant	Output	Master DDC I ² C Clock (Open Drain Output) to HDMI receiver. I ² C transactions required for HDCP operation are performed over this I ² C bus. Note 1.
TSDA	77	LVTTTL, Schmitt Trigger, 5V tolerant	Input/ Output	Master DDC Data (Open drain output.) to HDMI receiver. I ² C transactions required for HDCP operation are performed over this I ² C bus. Note 1.

Note:

1. These signals are true open drain, and do not pull to ground when power is not applied to the device. These signals require an external pull-up.

Configuration Pins

Pin Name	Pin #	Type	Dir	Description
I2CADDR/ TPWR	79	LVTTTL, 4mA, 5V Tolerant	Input/ Output	I ² C Slave Address input / Transmit Power Sense output pin. When RESET# is low, this pin is used as an input to latch the I ² C sub-address. The level on this pin is latched when the RESET# pin transitions from low to high. When RESET# is high, this pin is used as the TPWR output, indicating that the selected Rx-port is has 5V present. When none of the Rx ports are selected, this signal is low. See page 15 for more information.
I2CSEL/INT#	35	Schmitt Trigger, Open Drain, 4mA, 5V Tolerant	Input/ Output	I ² C Selection input / Interrupt output pin. When RESET# is low, this pin is used as an input to latch the External Port Detection signal. The level on this pin is latched when the RESET# pin transitions from low to high. When this pin is high during reset, the external pins EPSEL1/LSCL and EPSEL0/LSDA are used to select the Rx-port as EPSEL1[0]. When this pin is low during reset, the internal local I ² C register is used to select the Rx-port. After reset, this pin becomes the Interrupt output. This is an open-drain output and requires an external pull-up. See page 14 for more information.
RSVDL	75		Input	Reserved for use by Silicon Image and must be tied low.

Control Pins

Pin Name	Pin #	Type	Dir	Description
RESET#	13	LVTTTL Schmitt Trigger, 5V tolerant	Input	Reset Pin (Active LOW). Certain configuration inputs are latched when RESET# transitions from low to high. See page 14 for more information.
LSCL/EPSEL1	15	Schmitt 5V tolerant	Input	Local I ² C Clock / External Port Select 1. When I2CSEL is high, this becomes the Local I ² C bus clock pin, LSCL. When I2CSEL is low, this becomes the external port select pin, EPSEL1. True open drain, so does not pull to ground if power not applied. An external pull-up is required. See page 14 for more information.
LSDA/EPSEL0	14	LVTTTL, Schmitt Trigger, Open Drain 5V tolerant	Input/ Output	Local I ² C Data / External Port Select 0. When I2CSEL is high, this becomes the Local I ² C bus data pin, LSDA. When I2CSEL is low, this becomes the external port select pin, EPSEL0. True open drain, so does not pull to ground if power not applied. An external pull-up is required. See page 14 for more information.

CEC Pins

Pin Name	Pin #	Type	Direction	Description
CEC_A	54	CEC Compliant, 5V tolerant.	Input/ Output	HDMI compliant CEC I/O used to interface to CEC devices. CEC electrically compliant signal. This pin connects to the CEC signal of all HDMI connectors in the system. As an input, the pad acts as a LVTTTL Schmitt triggered input and is 5V tolerant. As an output, the pad acts as an NMOS driver with resistive pull-up. This pin has an internal pull-up resistor.
CEC_D	53	LVTTTL, Schmitt Trigger 5V tolerant.	Input/ Output	CEC interface to local system. True open-drain. An external pull-up is required. This pin typically connects to the local CPU.

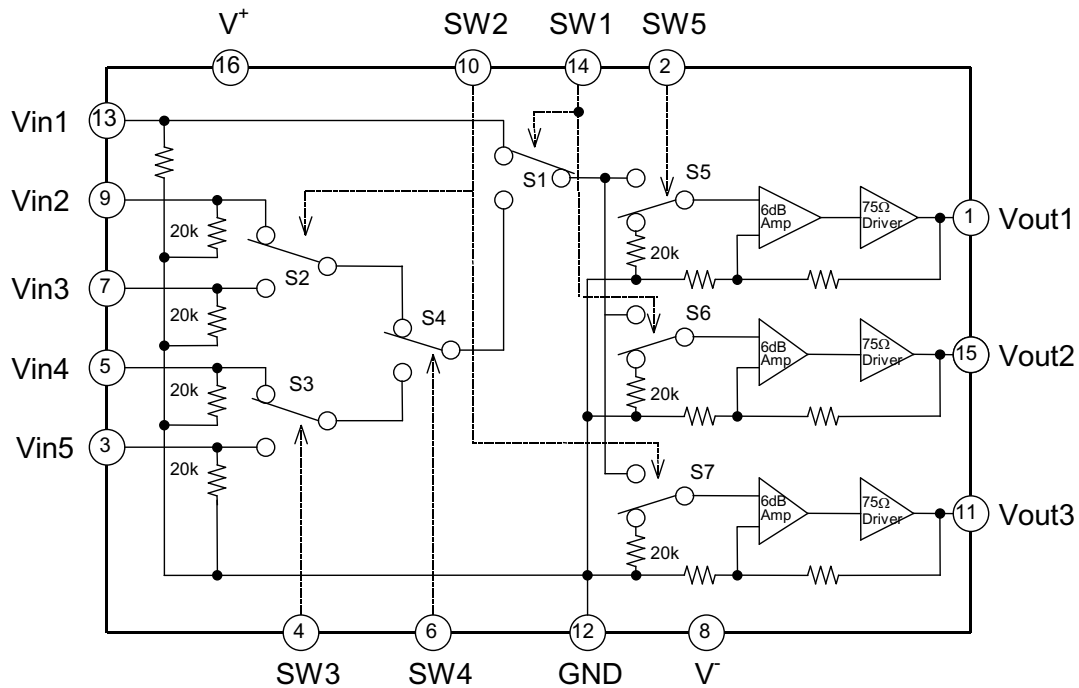
Differential Signal Data Pins

Pin Name	Pin #	Type	Dir	Description
R0X0+	22	TMDS	Input	TMDS input Port 0 data pairs.
R0X0-	21	TMDS	Input	
R0X1+	25	TMDS	Input	
R0X1-	24	TMDS	Input	
R0X2+	28	TMDS	Input	TMDS input Port 0 clock pair.
R0X2-	27	TMDS	Input	
R0C+	19	TMDS	Input	TMDS input Port 0 clock pair.
R0C-	18	TMDS	Input	
R1X0+	42	TMDS	Input	TMDS input port 1 data pairs.
R1X0-	41	TMDS	Input	
R1X1+	45	TMDS	Input	
R1X1-	44	TMDS	Input	
R1X2+	48	TMDS	Input	TMDS input Port 1 clock pair.
R1X2-	47	TMDS	Input	
R1C+	39	TMDS	Input	TMDS input Port 1 clock pair.
R1C-	38	TMDS	Input	
R2X0+	62	TMDS	Input	TMDS input port 2 data pairs.
R2X0-	61	TMDS	Input	
R2X1+	65	TMDS	Input	
R2X1-	64	TMDS	Input	
R2X2+	68	TMDS	Input	TMDS input Port 2 clock pair.
R2X2-	67	TMDS	Input	
R2C+	59	TMDS	Input	TMDS input Port 2 clock pair.
R2C-	58	TMDS	Input	
TX0+	7	TMDS	Output	TMDS output data pairs.
TX0-	8	TMDS	Output	
TX1+	4	TMDS	Output	
TX1-	5	TMDS	Output	
TX2+	1	TMDS	Output	TMDS output clock pair.
TX2-	2	TMDS	Output	
TXC+	10	TMDS	Output	TMDS output clock pair.
TXC-	11	TMDS	Output	
EXT_SWING	12	Analog	Input	Voltage Swing Adjust. A resistor tied from this pin to AVCC18 determines the amplitude of the voltage swing. The recommended value is 500Ω.

Power and Ground Pins

Pin Name	Pin #	Type	Description
AVCC33	23, 43, 55, 63	Power	Analog VCC. Connect to 3.3V supply.
AVCC18	6, 17, 29, 37, 49, 57, 69	Power	Analog VCC. Connect to 1.8V supply.
AGND	3, 9, 20, 26, 40, 46, 60, 66, 80	Ground	Analog GND.
DVCC18	33, 73	Power	Digital VCC. Connect to 1.8V supply.
DGND	34, 74	Ground	Digital GND.

IC11 : NJM2595 [VIDEO]

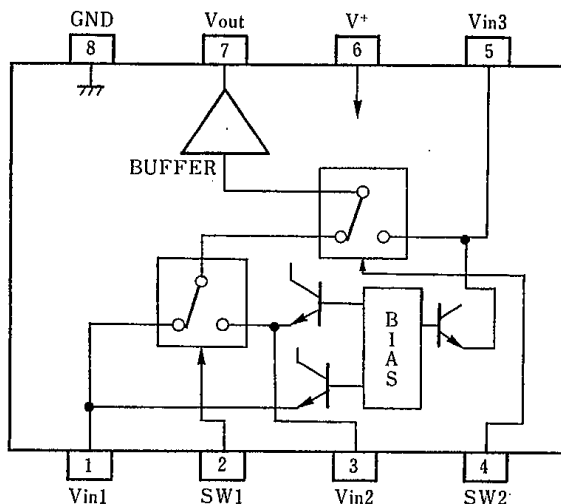


IC11 : NJM2595 [VIDEO]

■ ELECTRICAL CHARACTERISTICS ($V^+/V^- = \pm 5V, R_L = 150\Omega, T_a = 25^\circ C$)

PARAMETER	SYMBOL	TEST CONDITION	MIN.	TYP.	MAX.	UNIT
Positive Operating Current	I _{cc}	No signal	-	15	22	mA
Negative Operating Current	I _{ee}	No signal	-22	-15	-	mA
Voltage Gain	G _v	V _{in} =1.0V _{pp} , f=100kHz	6.0	6.3	6.8	dB
Frequency Characteristic	G _f	V _{in} =1.0V _{pp} , f=5MHz/100kHz	-1.0	0.0	+1.0	dB
Differential Gain	DG	V _{in} =1.0V _{pp} , Typical stair-case signal	-	0.2	-	%
Differential Phase	DP	V _{in} =1.0V _{pp} , Typical stair-case signal	-	0.2	-	deg
Output Offset Voltage 1	V _{os1}	No signal, between Vin2 and Vin3	-40	0.0	+40	mV
Output Offset Voltage 2	V _{os2}	No signal, between Vin1 and Vin2, between Vin1 and Vin3	-60	0.0	+60	
Between Input Crosstalk	CT	V _{in} =1.0V _{pp} , f=4.43MHz, V _o /V _{in}	-	-65	-	dB
Crosstalk at Mute	CT _m	V _{in} =1.0V _{pp} , f=4.43MHz, V _o /V _{in}	-	-55	-	dB
Total Harmonic Distortion	THD	V _{in} =1.25V _{pp} , f=1kHz	-	0.1	-	%
Switch Select Voltage at High	V _{ch}		2.0	-	V ⁺	V
Switch Select Voltage at Low	V _{cl}		0	-	0.8	
Input Impedance	R _{in}		-	20	-	KΩ

IC12 : NJM2535



PIN FUNCTION
 1 : Vin1
 2 : SW1
 3 : Vin2
 4 : SW2
 5 : Vin3
 6 : V+
 7 : Vout
 8 : GND

IC12 : NJM2535

■ ABSOLUTE MAXIMUM RATINGS

(Ta=25°C)

PARAMETER	SYMBOL	RATINGS	UNIT
Supply Voltage	V+	+15	V
Power Dissipation	P _D	(DIP-8) 500 (DMP-8) 300 (SIP-8) 800 (SSOP-8) 250	mW
Operating Temperature Range	T _{opr}	-20~+75	°C
Storage Temperature Range	T _{stg}	-40~+125	°C

■ ELECTRICAL CHARACTERISTICS

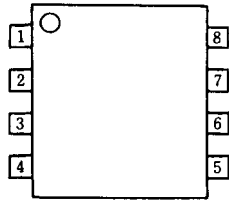
(V+=5V, Ta=25°C)

PARAMETER	SYMBOL	TEST CONDITIONS	MIN.	TYP.	MAX.	UNIT
Supply Voltage	V+		+4.5	—	+13.0	V
Supply Current	I _{CC}		—	3.6	4.6	mA
Frequency Characteristics	G _f	V _{IN} =2V _{pp} , V _O =10MHz/100kHz	-1.0	0	+1.0	dB
Voltage Gain	G _v	V _{IN} =2V _{pp} , 100kHz	-0.5	0	+0.5	dB
Differential Gain	DG	V _{IN} =2V _{pp} , Standard staircase signal, APL=50%	—	0	3.0	%
Differential Phase	DP	V _{IN} =2V _{pp} , Standard staircase signal, APL=50%	—	0	3.0	deg
Output Offset Voltage	V _{off}		-30	0	+30	mV
Crosstalk	CT	V _{IN} =2V _{pp} , 4.3MHz	—	-70	-60	dB
Switching Voltage	V _{CH}		2.4	—	—	V
	V _{CL}		—	—	0.8	V
Input Impedance	R _I		—	30	—	kΩ
Output Impedance	R _O		—	25	—	Ω
Input Bias Voltage	V _{IN}		—	2.5	—	V

IC13 : LC74782

Pin No.	Symbol	Function	Description
1	V _{SS1}	Ground	Ground connection (digital system ground)
2	Xtal _{IN}	Crystal oscillator connection	Used to connect the crystal oscillator and capacitor used to generate the internal synchronization signal, or to input an external clock (2fsc or 4fsc).
3	Xtal _{OUT}		
4	CTRL1	Crystal oscillator input switching	Switches between external clock input mode and crystal oscillator mode. Low = crystal oscillator mode, high = external clock mode
5	BLANK	Blanking output	Outputs the blank signal (the OR of the character and border signals). (Outputs a composite sync signal when MOD0 is high.) Outputs the crystal oscillator clock during reset (when the RST pin is low), but can be set up to not output this signal by microprocessor command.
6	OSC _{IN}	LC oscillator connection	Connections for the coil and capacitor that form the oscillator that generates the character output dot clock.
7	OSC _{OUT}		
8	CHARA	Character output	Outputs the character signal. (Functions as the external synchronization signal discrimination signal output pin when MOD0 is high, and outputs the state of the judgment as to whether the external synchronization signal is present or not. Outputs a high level when the synchronization signal is present.) Outputs the dot clock (LC oscillator) during reset, but can be set up to not output this signal by microprocessor command.
9	CS	Enable input	Serial data input enable input. Serial data input is enabled when low. A pull-up resistor is built in (hysteresis input).
10	SCLK	Clock input	Serial data input clock input. A pull-up resistor is built in (hysteresis input).
11	SIN	Data input	Serial data input. A pull-up resistor is built in (hysteresis input).
12	V _{DD2}	Power supply	Composite video signal level adjustment power supply pin (analog system power supply).
13	CV _{OUT}	Video signal output	Composite video signal output
14	NC		Must be either connected to ground or left open.
15	CV _{IN}	Video signal input	Composite video signal input
16	V _{DD1}	Power supply	Power supply (+5 V: digital system power supply)
17	SYN _{IN}	Sync separator circuit input	Video signal input for the built-in sync separator circuit (Used for either horizontal synchronization signal or composite sync signal input when the built-in sync separator circuit is not used.)
18	SEP _C	Sync separator circuit bias voltage	Built-in sync separator circuit bias voltage monitor pin
19	SEP _{OUT}	Composite sync signal output	Built-in sync separator circuit composite sync signal output. (When MOD1 is high, outputs a high level during internal synchronization and a low level during external synchronization.) (Outputs the SYN _{IN} input signal when the internal sync separator circuit is not used.)
20	SEP _{IN}	Vertical synchronization signal input	Inputs a vertical synchronization signal created by integrating the SEP _{OUT} pin output signal. An integrator must be attached at the SEP _{OUT} pin. This pin must be tied to V _{DD1} if unused.
21	CTRL2	NTSC/PAL-M switching input	The setting indicated by this pin takes priority in switching between the NTSC, PAL, PAL-M and PAL-N formats. A low level selects NTSC after a reset. The microprocessor command NTSC, PAL, PAL-M, or PAL-N setting is valid. High = PAL-M format.
22	CTRL3	SEP _{IN} input control	Controls whether or not the \overline{VSYNC} signal is input to the SEP _{IN} input. Low = \overline{VSYNC} input, high = \overline{VSYNC} not input.
23	\overline{RST}	Reset input	System reset input. A pull-up resistor is built in (hysteresis input).
24	V _{DD1}	Power supply (+5 V)	Power supply (+5 V: digital system power supply)

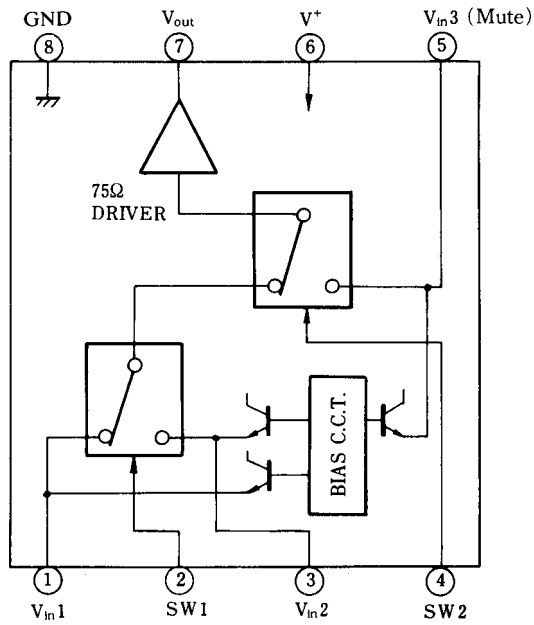
IC14, IC15 : NJM2244



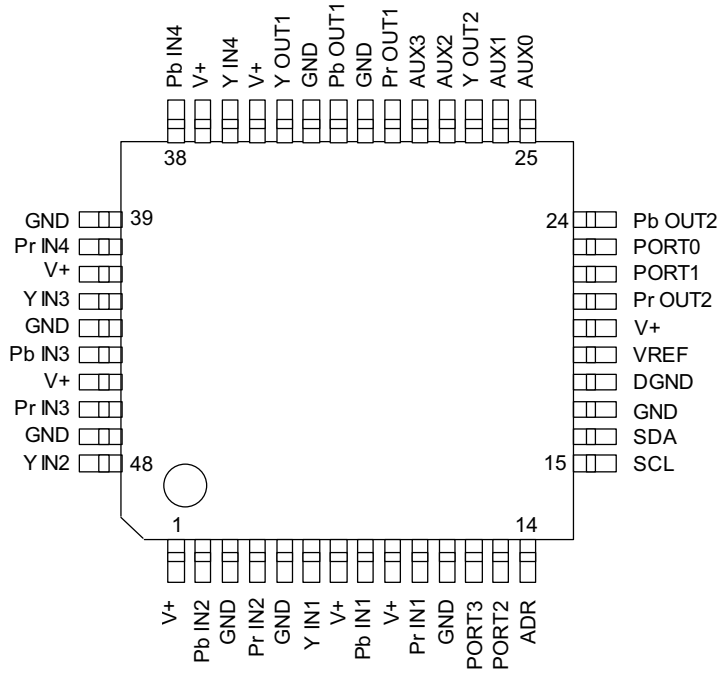
NJM2244D
NJM2244M

BLOCK DIAGRAM

Pin Connection

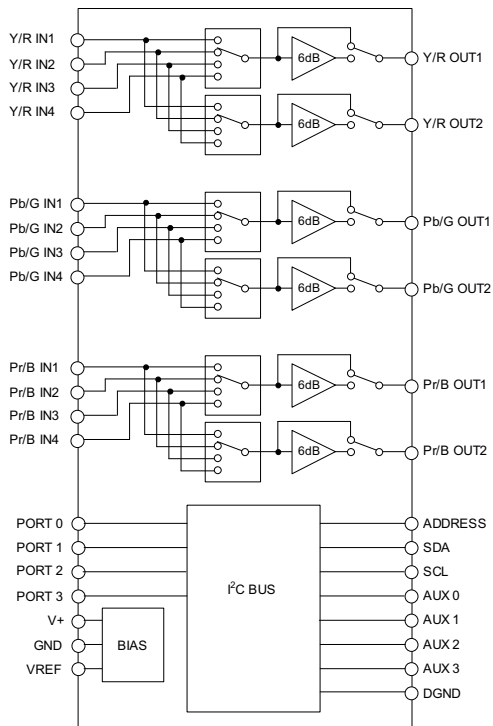


IC18 : NJW1321

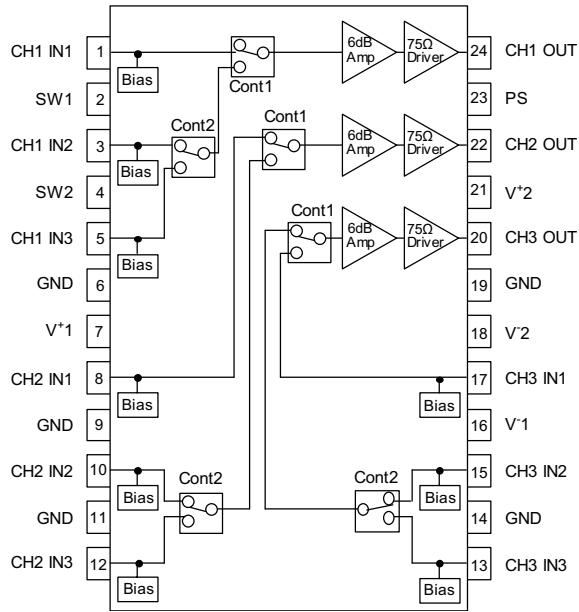


1. V+	13. PORT2	25. AUX0	37. V+
2. Pb IN2	14. ADR	26. AUX1	38. Pb IN4
3. GND	15. SCL	27. Y OUT2	39. GND
4. Pr IN2	16. SDA	28. AUX2	40. Pr IN4
5. GND	17. GND	29. AUX3	41. V+
6. Y IN1	18. DGND	30. Pr OUT1	42. Y IN3
7. V+	19. VREG	31. GND	43. GND
8. Pb IN1	20. V+	32. Pb OUT1	44. Pb IN3
9. V+	21. Pr OUT2	33. GND	45. V+
10. Pr IN1	22. PORT1	34. Y OUT1	46. Pr IN3
11. GND	23. PORT0	35. V+	47. GND
12. PORT3	24. Pb OUT2	36. Y IN4	48. Y IN2

IC18 : NJW1321



IC19 : NJM2586



PARAMETER	STATUS	
PS	H	Power Save: OFF
	L	Power Save: ON
	OPEN	Power Save: ON

PARAMETER	STATUS		
	SW1	SW2	
SW1, SW2I	L, OPEN	X	IN1 (X=don't care)
	H	L, OPEN	IN2
	H	H	IN3

Industry-Standard Compliance

- HDMI 1.3
- DVI 1.0
- EIA/CEA-861D
- HDCP 1.1

Digital Video Input / Output

- Dual integrated HDMI 1.3 cores
- Supports DTV resolutions up to 1080p @ 60Hz or 720p/1080i @ 120Hz with 36-bit color depth
- Flexible digital video interface:
 - 24/30/36-bit RGB/YCbCr 4:4:4
 - 16/20/24-bit YCbCr 4:2:2
 - 8/10/12-bit YCbCr 4:2:2 (ITU-R BT.656)
 - 12-bit digital media interface
- Integrated RGB to YCbCr color space conversion with 12-bit accuracy
- 4:2:2 ↔ 4:4:4 converter with 12-bit accuracy

System Operation

- Register-programmable via slave I²C interface
- Auto video mode simplifies design
- Auto audio mode allows more robust system
- Flexible interrupt registers with interrupt pin

Digital Audio Output

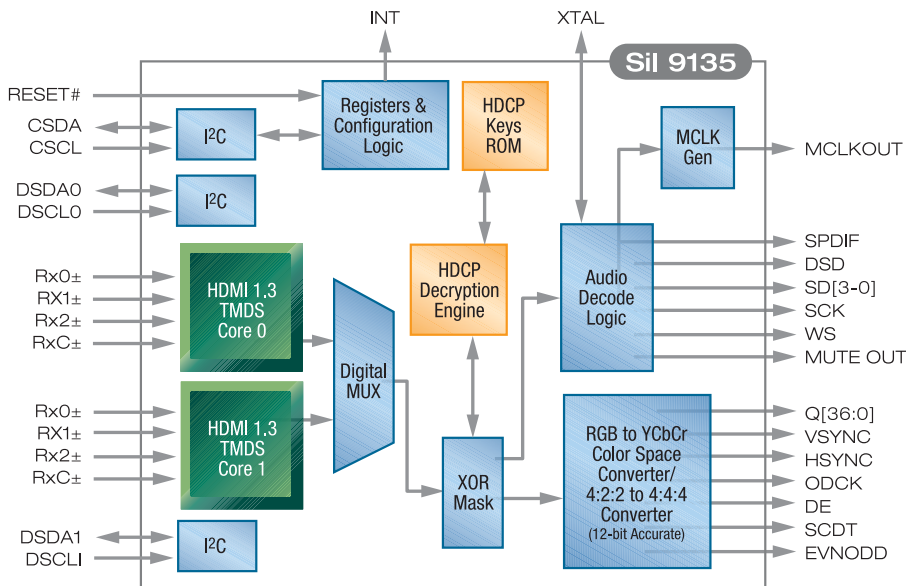
- Supports Dolby True HD and DTS-HD up to 24Mb/s through 4xI²S inputs
- DVD-Audio support through 4xI²S inputs
- Direct Stream Digital (DSD) 6-channel Super Audio SACD
- Supports 2- to 8-channel audio at 192kHz
- Supports IEC60958 2-channel PCM or IEC61937 compressed audio (Dolby Digital, DTS, etc.)
- Industry-standard S/PDIF output

Content Protection

- Integrated HDCP cipher engine
- Built-in HDCP BIST
- Pre-programmed HDCP keys:
 - Simplify manufacturing process
 - Provide extremely secure solution
 - Lower system, manufacturing costs
- Built-in HDCP self-test
- Supports HDCP repeater capability

Power Management

- 1.8V core provides low-power operation
- Flexible power-down modes



Industry-Standard Compliance

- HDMI 1.3
- DVI 1.0
- EIA/CEA-861D
- HDCP 1.1

Power Management

- 1.8V core provides low-power operation
- Flexible power-down modes

Digital Video Output

- Integrated HDMI 1.3 TMDS core running at 225MHz
- Supports Deep Color 36-bit color depth and resolutions up to 1080p @ 60Hz or 720p/1080i @ 120Hz
- Flexible video interface supports DVD and HD MPEG decoders:
 - 12/24/30/36-bit RGB YCbCr 4:4:4
 - 16/20/24/30/36-bit YCbCr 4:2:2
 - 8/10/12-bit YCbCr 4:2:2 (ITU-R BT.601 & BT.656)
- Integrated YCbCr to RGB conversion
- 4:2:2 to 4:4:4 up-converter
- Programmable Data Enable (DE) generator
- 14-bit internal video processing and 14-bit to 12/10/8-bit dither

Digital Audio Output

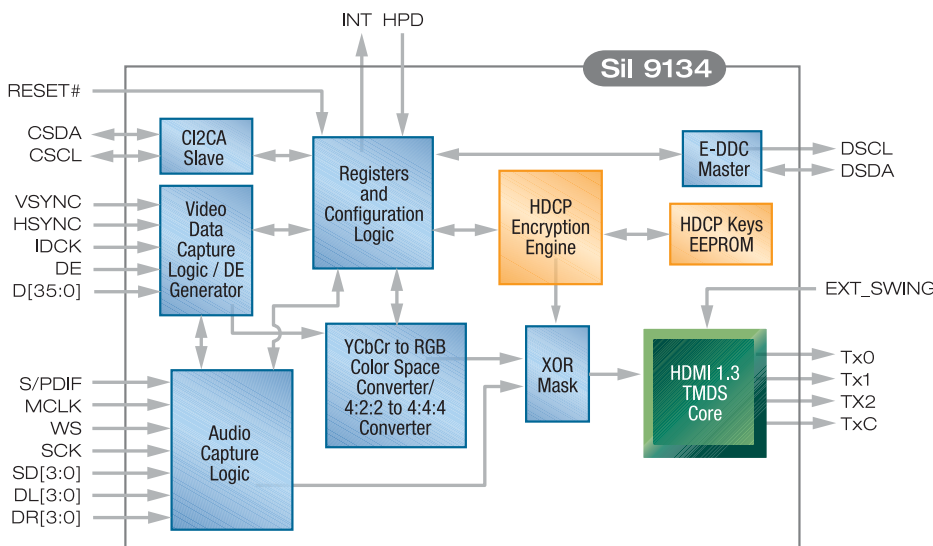
- Supports Dolby® True HD and DTS-HD up to 24Mb/s through 4xI²S inputs
- DVD-Audio support through 4xI²S inputs
- Dedicated 8-pin interface to support Direct Stream Digital (DSD) Super Audio SACD
- Supports 2-channel audio at 192kHz and 8-channel audio at 192kHz
- Supports IEC60958 2-channel PCM or IEC61937 compressed audio (Dolby® Digital, DTS, etc.)
- Industry-standard S/PDIF output

Content Protection

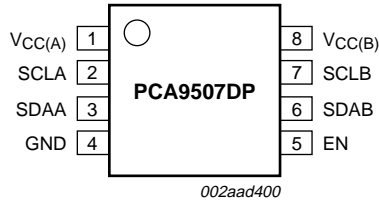
- Integrated HDCP cipher engine
- Pre-programmed HDCP keys:
 - Simplify manufacturing process
 - Provide extremely secure solution
 - Lower system, manufacturing costs
- Encrypts both video and audio

System Operation

- Register-programmable via slave I²C interface
- Master I²C simplifies system design
- Flexible interrupt registers with interrupt pin
- Monitor detection supported through hot plug and receiver detection
- Device address can be altered with CI2CA pin

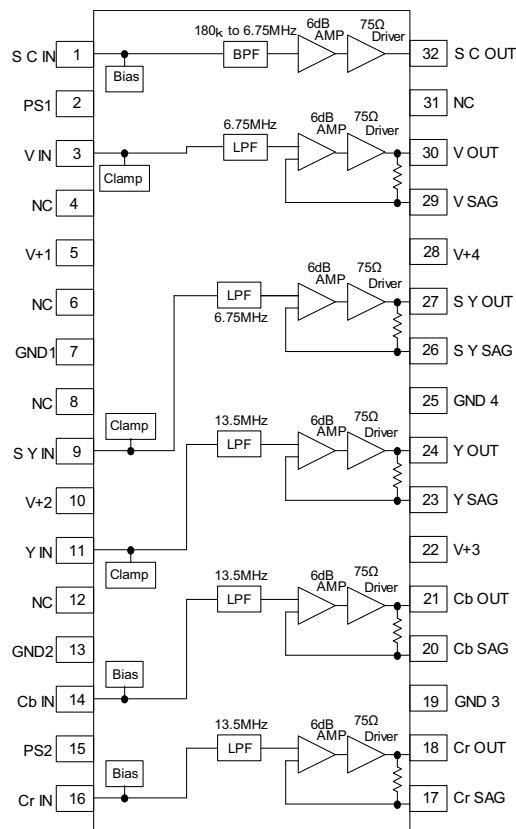


IC28 : PCA9507

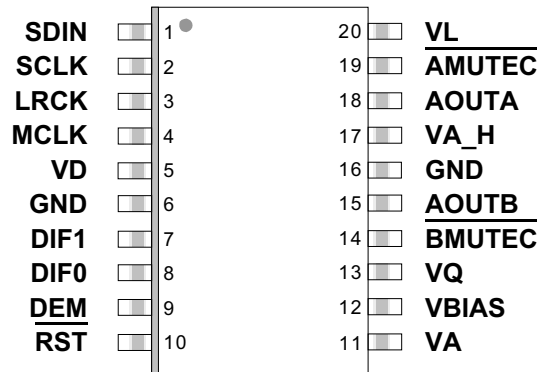
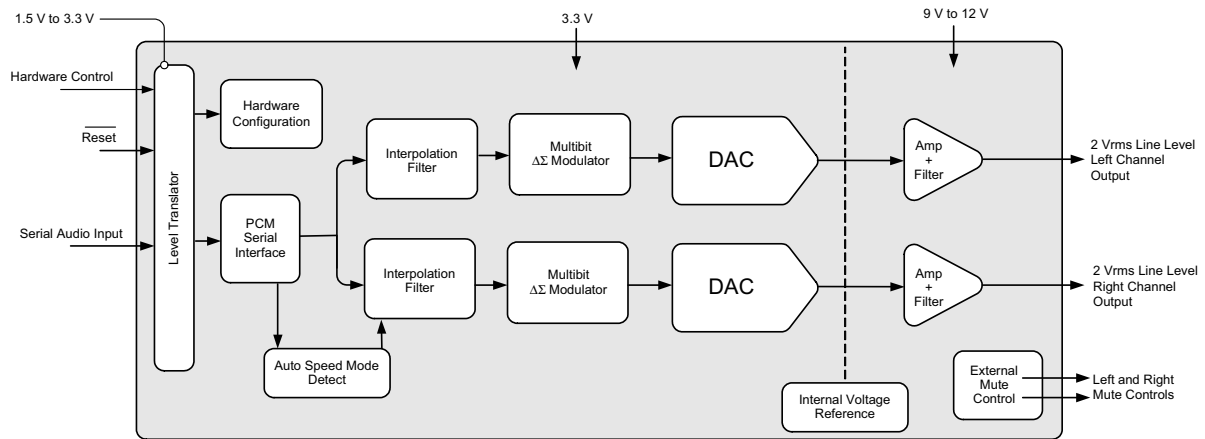


Symbol	Pin	Description
V _{CC(A)}	1	port A supply voltage (2.7 V to 5.5 V)
SCLA	2	serial clock port A bus with rise time accelerator for DDC line or cable, 5 V tolerant
SDAA	3	serial data port A bus with rise time accelerator for DDC line or cable, 5 V tolerant
GND	4	supply ground (0 V)
EN	5	active HIGH buffer enable input
SDAB	6	serial data port B bus with static level offset, 5 V tolerant
SCLB	7	serial clock port B bus with static level offset, 5 V tolerant
V _{CC(B)}	8	port B supply voltage (2.7 V to 5.5 V)

IC30 : NJM2589



IC31, IC52 : CS4352CZZR



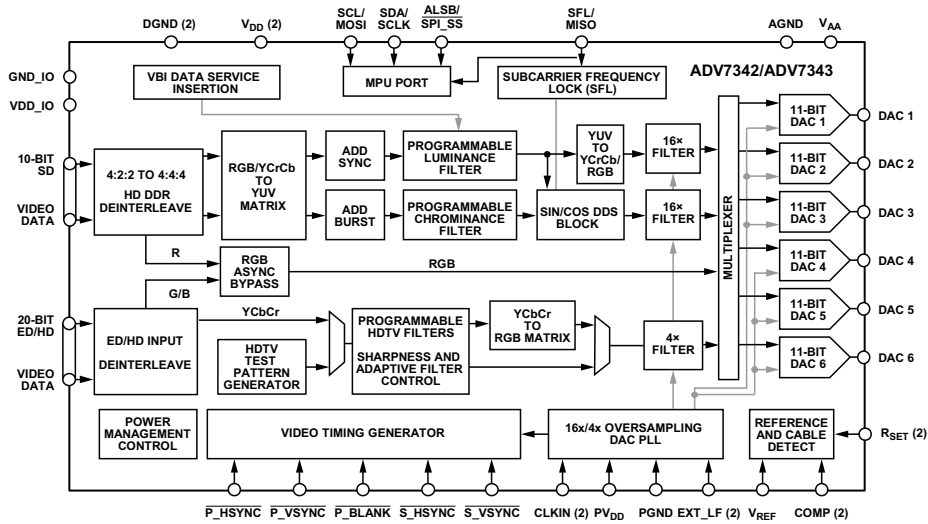
Pin Name	Pin #	Pin Description
SDIN	1	Serial Audio Data Input (Input) - Input for two's complement serial audio data.
SCLK	2	Serial Clock (Input) - Serial clock for the serial audio interface.
LRCK	3	Left / Right Clock (Input) - Determines which channel, Left or Right, is currently active on the serial audio data line.
MCLK	4	Master Clock (Input) - Clock source for the delta-sigma modulator and digital filters.
VD	5	Digital Power (Input) - Positive power supply for the digital section.
GND	6 16	Ground (Input) - Ground reference.
DIF0	8	Digital Interface Format (Input) - Defines the required relationship between the Left/Right Clock, Serial Clock, and Serial Audio Data.
DIF1	7	
DEM	9	De-emphasis (Input) - Selects the standard 15 μs/50 μs digital de-emphasis filter response for 44.1 kHz sample rates
RST	10	Reset (Input) - Powers down the device and resets all internal registers to their default settings when enabled.
VA	11	Low Voltage Analog Power (Input) - Positive power supply for the analog section.
VBIAS	12	Positive Voltage Reference (Output) - Positive reference voltage for the internal DAC.
VQ	13	Quiescent Voltage (Output) - Filter connection for internal quiescent voltage.
VA_H	17	High Voltage Analog Power (Input) - Positive power supply for the analog section.
VL	20	Serial Audio Interface Power (Input) - Positive power for the serial audio interface
BMUTEC	14	Mute Control (Output) - Control signal for optional mute circuit.
AMUTEC	19	
AOUTB	15	Analog Outputs (Output) - The full-scale analog line output level is specified in the Analog Characteristics table.
AOUTA	18	

IC31 : ADV7403

Pin No.	Mnemonic	Type	Function
5, 11, 17, 40, 89	DGND	G	Digital Ground.
49, 50, 60, 66	AGND	G	Analog Ground.
6, 18	DVDDIO	P	Digital I/O Supply Voltage (3.3 V).
12, 39, 90	DVDD	P	Digital Core Supply Voltage (1.8 V).
63	AVDD	P	Analog Supply Voltage (3.3 V).
47, 48	PVDD	P	PLL Supply Voltage (1.8 V).
51	FB	I	Fast Switch Overlay Input. This pin switches between CVBS and RGB analog signals.
54, 56, 58, 72, 74, 76, 53, 55, 57, 71, 73, 75	AIN1 to AIN12	I	Analog Video Input Channels.
42, 41, 28, 27, 26, 25, 23, 22, 10, 9, 8, 7, 94, 93, 92, 91	P2 to P9, P12 to P19	O	Video Pixel Output Port.
44, 43, 21, 20, 45, 34, 33, 32, 31, 30, 29, 24, 14, 13	P0 to P1, P10 to P11, P20 to P21, P22 to P25, P26 to P29	I/O	Video Pixel Input/Output Port.
2, 1, 100, 97, 96, 95, 88, 87, 84, 83	P31 to P40	I	Video Pixel Input Port.

Pin No.	Mnemonic	Type	Function
3	INT	O	Interrupt. This pin can be active low or active high. When SDP/CP status bits change, this pin triggers. The set of events that triggers an interrupt is under user control.
4	HS/CS	O	HS is a Horizontal Synchronization Output Signal (SDP and CP modes). CS is a Digital Composite Synchronization Signal (and can be selected while in CP mode).
99	VS	O	Vertical Synchronization Output Signal (SDP and CP modes).
98	FIELD/DE	O	FIELD is a Field Synchronization Output Signal (all interlaced video modes). This pin also can be enabled as a Data Enable signal (DE) in CP mode to allow direct connection to a HDMI/DVI Tx IC.
81, 19	SDA1, SDA2	I/O	I ² C Port Serial Data Input/Output Pins. SDA1 is the data line for the control port, and SDA2 is the data line for the VBI readback port.
82, 16	SCLK1, SCLK2	I	I ² C Port Serial Clock Input (max clock rate of 400 kHz). SCLK1 is the clock line for the Control port and SCLK2 is the clock line for the VBI data readback port.
80	ALSB	I	This pin selects the I ² C address for the ADV7403 control and VBI readback ports. ALSB set to Logic 0 sets the address for a write to control port of 0x40 and the readback address for the VBI port of 0x21. ALSB set to a logic high sets the address for a write to control port of 0x42 and the readback address for the VBI port of 0x23.
78	RESET	I	System Reset Input. Active low. A minimum low reset pulse width of 5 ms is required to reset the ADV7403 circuitry.
36	LLC1	O	LLC1 is a line-locked output clock for the pixel data (range is 12.825 MHz to 140 MHz for ADV7403KSTZ-140; 12.825 MHz to 110 MHz for ADV7403BSTZ-110).
38	XTAL	I	Input Pin for 28.63636 MHz crystal, or can be overdriven by an external 3.3 V, 28.63636 MHz clock oscillator source to clock the ADV7403.
37	XTAL1	O	This pin should be connected to the 28.63636 MHz crystal or left as a no connect if an external 3.3 V 28.63636 MHz clock oscillator source is used to clock the ADV7403. In crystal mode the crystal must be a fundamental crystal.
46	ELPF	O	The recommend external loop filter must be connected to this ELPF pin.
70	TEST0	NC	This pin should be left unconnected or alternately tie to AGND.
59	TEST1	O	This pin should be left unconnected.
15	SFL/SYNC_OUT	O	Subcarrier Frequency Lock (SFL). This pin contains a serial output stream, which can be used to lock the subcarrier frequency when this decoder is connected to any Analog Devices digital video encoder. SYNC_OUT is the sliced sync output signal available only in CP mode.
64	REFOUT	O	Internal Voltage Reference Output.
65	CML	O	Common-Mode Level Pin (CML) for the internal ADCs.
61, 62	CAPY1, CAPY2	I	ADC Capacitor Network.
68, 69	CAPC1, CAPC2	I	ADC Capacitor Network.
67	BIAS	O	External Bias Setting Pin. Connect the recommended resistor (1.35 kΩ) between pin and ground.
86	HS_IN/CS_IN	I	Can be configured in CP mode to be either a digital HS input signal or a digital CS input signal used to extract timing in a 5-wire or 4-wire RGB mode.
85	VS_IN	I	VS Input Signal. Used in CP mode for 5-wire timing mode.
79	DE_IN	I	Data Enable Input Signal. Used in 24-bit digital input port mode (for example, processing 24-bit RGB data from a DVI Rx IC).
35	DCLK_IN	I	Clock Input Signal. Used in 24-bit digital input mode (for example, processing 24-bit RGB data from a DVI Rx IC) and also in digital CVBS input mode.
52	SOG	I	Sync on Green Input. Used in embedded sync mode.
77	SOY	I	Sync on Luma Input. Used in embedded sync mode.

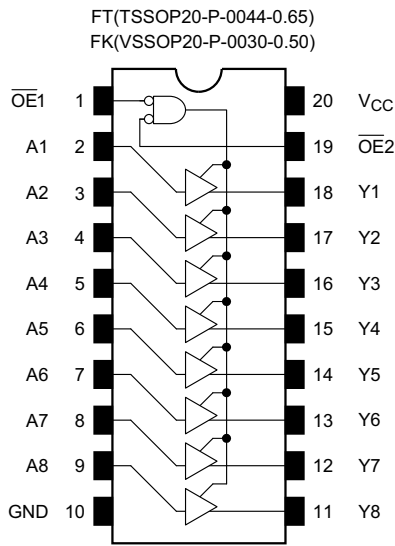
IC32 : ADV7342BSTZ



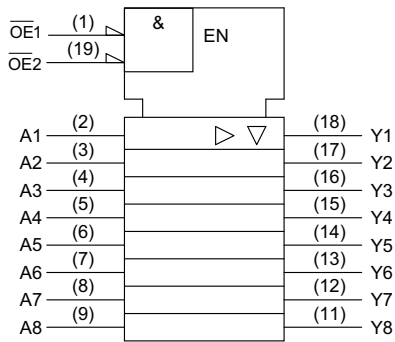
Pin No.	Mnemonic	Input/Output	Description
13, 12, 9 to 4	Y7 to Y0	I	8-Bit Pixel Port. Y0 is the LSB. Refer to Table 31 for input modes.
29 to 25, 18 to 16	C7 to C0	I	8-Bit Pixel Port. C0 is the LSB. Refer to Table 31 for input modes.
62 to 58, 55 to 53	S7 to S0	I	8-Bit Pixel Port. S0 is the LSB. Refer to Table 31 for input modes.
52, 51, 15, 14, 3, 2	TEST5 to TEST0	I	Unused. These pins should be connected to DGND.
30	CLKIN_A	I	Pixel Clock Input for HD Only (74.25 MHz), ED ¹ Only (27 MHz or 54 MHz) or SD Only (27 MHz).
63	CLKIN_B	I	Pixel Clock Input for Dual Modes Only. Requires a 27 MHz reference clock for ED operation or a 74.25 MHz reference clock for HD operation.
50	$\overline{S_HSYNC}$	I/O	SD Horizontal Synchronization Signal. This pin can also be configured to output an SD, ED, or HD horizontal synchronization signal. See the External Horizontal and Vertical Synchronization Control section.
49	$\overline{S_VSYNC}$	I/O	SD Vertical Synchronization Signal. This pin can also be configured to output an SD, ED, or HD vertical synchronization signal. See the External Horizontal and Vertical Synchronization Control section.
22	$\overline{P_HSYNC}$	I	ED/HD Horizontal Synchronization Signal. See the External Horizontal and Vertical Synchronization Control section.
23	$\overline{P_VSYNC}$	I	ED/HD Vertical Synchronization Signal. See the External Horizontal and Vertical Synchronization Control section.
24	$\overline{P_BLANK}$	I	ED/HD Blanking Signal. See the External Horizontal and Vertical Synchronization Control section.
48	SFL/MISO	I/O	Multifunctional Pin: Subcarrier Frequency Lock (SFL) Input/SPI Data Output. The SFL input is used to drive the color subcarrier DDS system, timing reset, or subcarrier reset.
47	RSET1	I	This pin is used to control the amplitudes of the DAC 1, DAC 2, and DAC 3 outputs. For full-drive operation (for example, into a 37.5 Ω load), a 510 Ω resistor must be connected from RSET1 to AGND. For low drive operation (for example, into a 300 Ω load), a 4.12 k Ω resistor must be connected from RSET1 to AGND.

Pin No.	Mnemonic	Input/Output	Description
36	RSET2	I	This pin is used to control the amplitudes of the DAC 4, DAC 5, and DAC 6 outputs. A 4.12 k Ω resistor must be connected from RSET2 to AGND.
45, 35	COMP1, COMP2	O	Compensation Pins. Connect a 2.2 nF capacitor from both COMP pins to V _{AA} .
44, 43, 42	DAC 1, DAC 2, DAC 3	O	DAC Outputs. Full and low drive capable DACs.
39, 38, 37	DAC 4, DAC 5, DAC 6	O	DAC Outputs. Low drive only capable DACs.
21	SCL/MOSI	I	Multifunctional Pin: I ² C Clock Input/SPI Data Input.
20	SDA/SCLK	I/O	Multifunctional Pin: I ² C Data Input/Output. Also, SPI clock input.
19	ALSB/SPI_SS	I	Multifunctional Pin: This signal sets up the LSB ² of the MPU I ² C address. Also, SPI slave select.
46	V _{REF}	I	Optional External Voltage Reference Input for DACs or Voltage Reference Output.
41	V _{AA}	P	Analog Power Supply (3.3 V).
10, 56	V _{DD}	P	Digital Power Supply (1.8 V). For dual-supply configurations, V _{DD} can be connected to other 1.8 V supplies through a ferrite bead or suitable filtering.
1	V _{DD_IO}	P	Input/Output Digital Power Supply (3.3 V).
34	PV _{DD}	P	PLL Power Supply (1.8 V). For dual-supply configurations, PV _{DD} can be connected to other 1.8 V supplies through a ferrite bead or suitable filtering.
33	EXT_LF1	I	External Loop Filter for On-Chip PLL 1.
31	EXT_LF2	I	External Loop Filter for On-Chip PLL 2.
32	PGND	G	PLL Ground Pin.
40	AGND	G	Analog Ground Pin.
11, 57	DGND	G	Digital Ground Pin.
64	GND_IO	G	Input/Output Supply Ground Pin.

Pin Assignment (top view)



IEC Logic Level

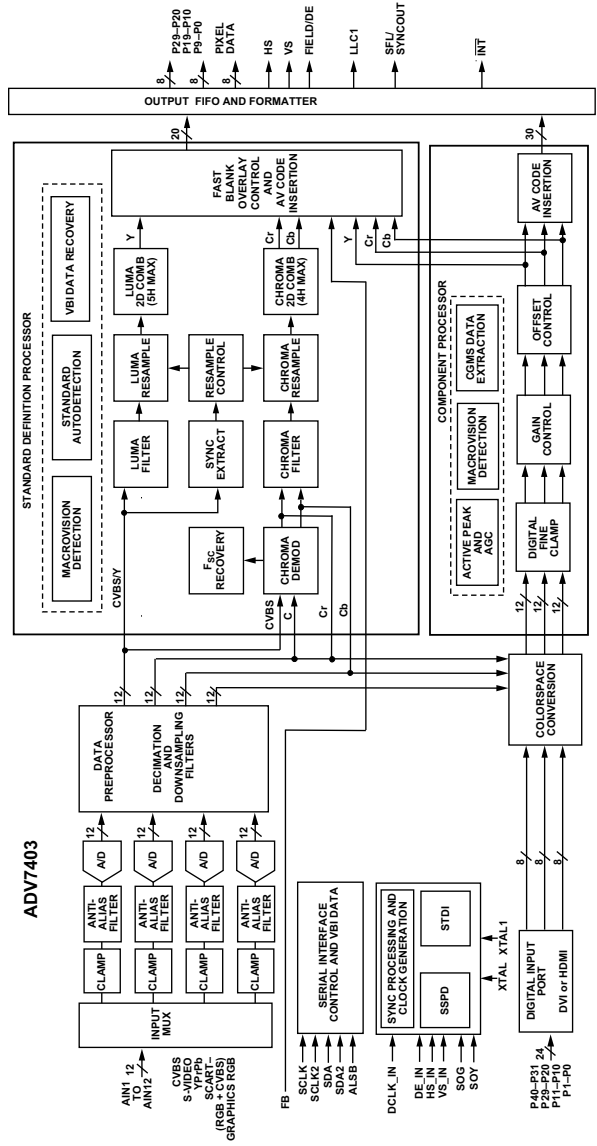


Truth Table

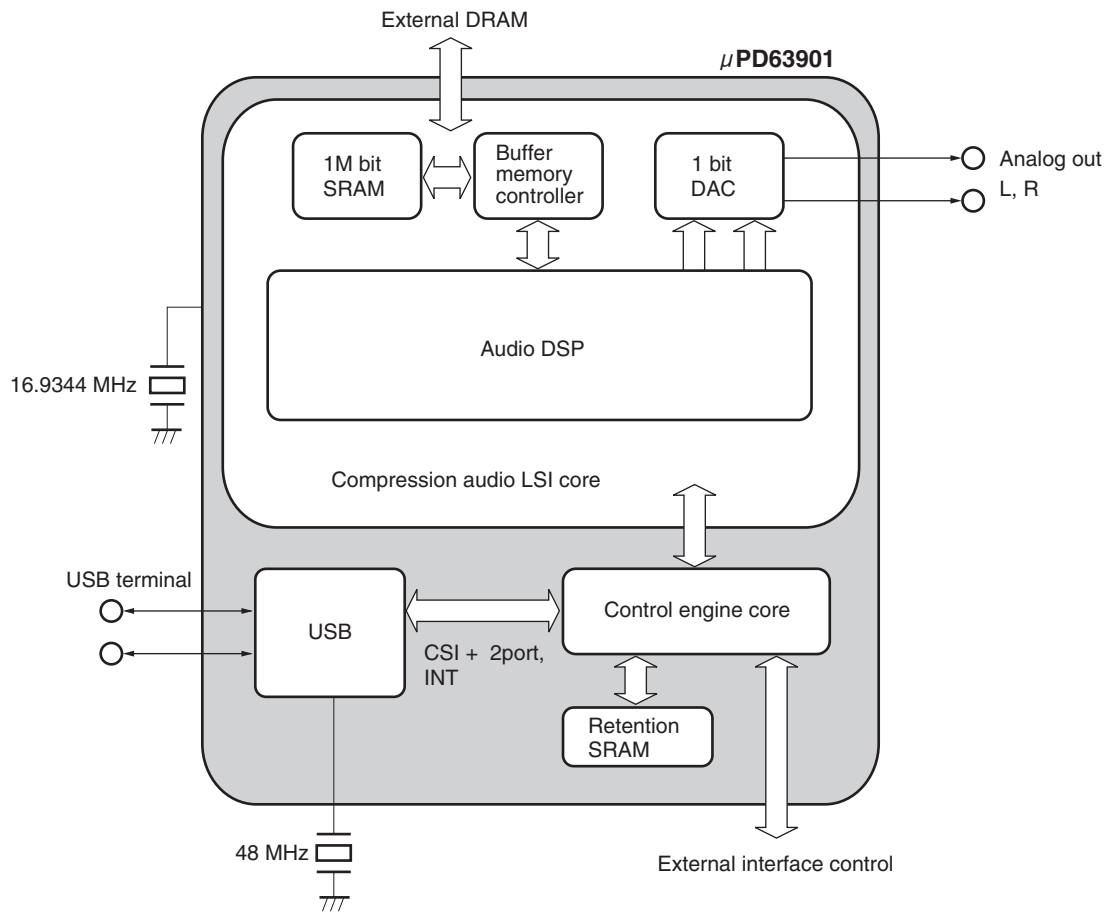
Inputs			Outputs
OE1	OE2	A _n	
H	X	X	Z
X	H	X	Z
L	L	H	H
L	L	L	L

X: Don't care

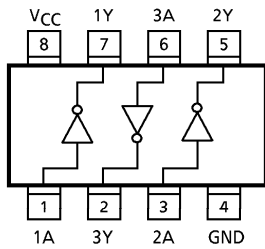
Z: High impedance



IC34 : UPD63901GJ(A)-301-8EN-A

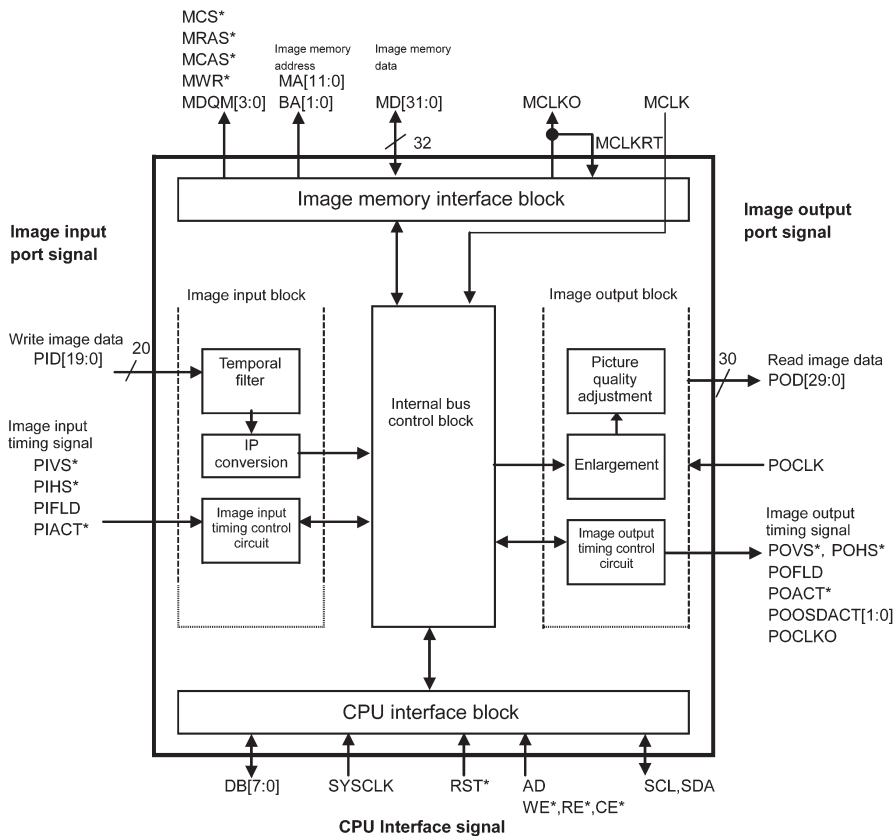


IC43, IC98 : TC7WHU04FU



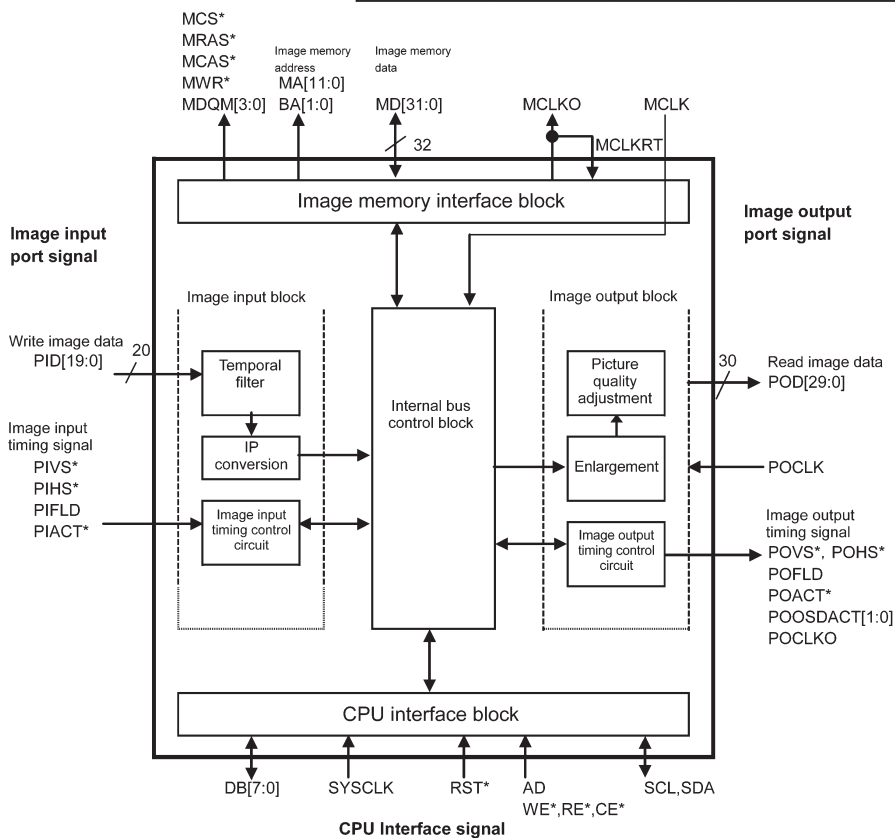
IC41 : IP00C773 (IPSD2)

Group	Designation	No. of pins	I/O	Function	Remarks
Image input port	PID[19:0]	20	I	Image input port	
	PICLK	1	I	Image input clock input	Clock buffer
	PIVS*	1	I	Image input vertical sync signal	
	PIHS*	1	I	Image input horizontal sync signal	
	PIFLD	1	I	Image input field signal	
	PIACT*	1	I	Digital interface	
Image output port	POD[29:0]	30	O	Image output port	8 mA,Tri-state
	POCLK	1	I	Image output clock input	Clock buffer
	POVS*	1	I/O	Image output vertical sync signal	8 mA,Bi-Dir
	POHS*	1	I/O	Image output horizontal sync signal	8 mA,Bi-Dir
	POFLD	1	I/O	Image output field signal	8 mA,Bi-Dir
	POACT*	1	O	L: Image output target area H: Out of image output target area	8 mA,Tri-state
	POSDACT[1:0]	2	O	OSD transparent/active area signal	8 mA,Tri-state
	POCLKO	1	O	Image output clock output	8 mA,Tri-state
	POEN*	1	I	Image output port enable signal	schmitt
	POEXT*	1	I	Image output port external sync enable signal	schmitt
Image memory interface	BA[1:0]	2	O	Image memory bank signal	4 mA
	MA[11:0]	12	O	Image memory address bus	4 mA
	MD[31:0]	32	I/O	Image memory data bus	8 mA,pull up
	MCS*	1	O	Image memory chip select	8 mA
	MRAS*	1	O	Image memory low address strobe	4 mA
	MCAS*	1	O	Image memory column address strobe	4 mA
	MWR*	1	O	Image memory write signal	4 mA
	MDQM[3:0]	4	O	Image memory data mask signal	8 mA
Memory clock	MCLK	1	I	Image memory clock	Clock buffer
	MCLKO	1	O	Image memory clock output	8 mA
	MCLKRT	1	I	Image memory clock return input	Clock buffer
	MCLKSEL[1:0]	2	I	Image memory clock select	schmitt
CPU interface	SYSCLK	1	I	System clock	schmitt
	AD	1	I	Address bus	3.3 V CMOS
	DB[7:0]	8	I/O	Data bus	4 mA,Bi-Dir
	WE*	1	I	Write enable	3.3 V CMOS
	RE*	1	I	Read enable	3.3 V CMOS
	CE*	1	I	Chip enable	3.3 V CMOS
	WAIT*	1	O	Wait	4 mA,Tri-state
	IFMD	1	I	Interface mode	schmitt
I2C slave	SCL	1	I/O	I2C buffer	I2C buffer
	SDA	1	I/O	I2C buffer	I2C buffer
	RST*	1	I	Reset signal	schmitt
	TEST*[1:0]	2	I	Test signal - High level usually	schmitt
	TESTH	1	I	Test signal - Low level usually	
	XTEST	1	I	Test signal - Low level usually	3.3 V CMOS Pull-down
Power supply / GND	VDDE	22	PWR	Power supply (3.3 V)	
	VDDI	14	PWR	Power supply (1.8 V)	
	PLLVD	2	PWR	PLL power supply (1.8 V)	
	VSS	22	PWR	Ground	
	PLLVSS	2	PWR	PLL ground	
Total No. of pins		208			



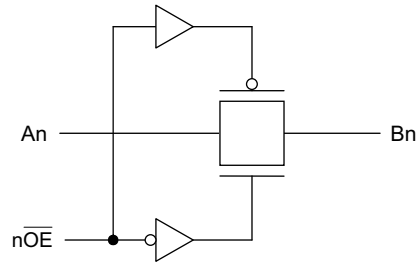
IC41 : IP00C773 (IPSD2)

Group	Designation	No. of pins	I/O	Function	Remarks
Image input port	PID[19:0]	20	I	Image input port	
	PICLK	1	I	Image input clock input	Clock buffer
	PIVS*	1	I	Image input vertical sync signal	
	PIHS*	1	I	Image input horizontal sync signal	
	PIFLD	1	I	Image input field signal	
	PIACT*	1	I	Digital interface	
Image output port	POD[29:0]	30	O	Image output port	8 mA,Tri-state
	POCLK	1	I	Image output clock input	Clock buffer
	POVS*	1	I/O	Image output vertical sync signal	8 mA,Bi-Dir
	POHS*	1	I/O	Image output horizontal sync signal	8 mA,Bi-Dir
	POFLD	1	I/O	Image output field signal	8 mA,Bi-Dir
	POACT*	1	O	L: Image output target area H: Out of image output target area	8 mA,Tri-state
	POSDACT[1:0]	2	O	OSD transparent/active area signal	8 mA,Tri-state
	POCLKO	1	O	Image output clock output	8 mA,Tri-state
	POEN*	1	I	Image output port enable signal	schmitt
	POEXT*	1	I	Image output port external sync enable signal	schmitt
	Image memory interface	BA[1:0]	2	O	Image memory bank signal
MA[11:0]		12	O	Image memory address bus	4 mA
MD[31:0]		32	I/O	Image memory data bus	8 mA,pull up
MCS*		1	O	Image memory chip select	8 mA
MRAS*		1	O	Image memory low address strobe	4 mA
MCAS*		1	O	Image memory column address strobe	4 mA
MWR*		1	O	Image memory write signal	4 mA
MDQM[3:0]		4	O	Image memory data mask signal	8 mA
Memory clock		MCLK	1	I	Image memory clock
	MCLKO	1	O	Image memory clock output	8 mA
	MCLKRT	1	I	Image memory clock return input	Clock buffer
	MCLKSEL[1:0]	2	I	Image memory clock select	schmitt
CPU interface	SYSCLK	1	I	System clock	schmitt
	AD	1	I	Address bus	3.3 V CMOS
	DB[7:0]	8	I/O	Data bus	4 mA,Bi-Dir
	WE*	1	I	Write enable	3.3 V CMOS
	RE*	1	I	Read enable	3.3 V CMOS
	CE*	1	I	Chip enable	3.3 V CMOS
	WAIT*	1	O	Wait	4 mA,Tri-state
	IFMD	1	I	Interface mode	schmitt
I2C slave	SCL	1	I/O	I2C buffer	I2C buffer
	SDA	1	I/O	I2C buffer	I2C buffer
	RST*	1	I	Reset signal	schmitt
	TEST*[1:0]	2	I	Test signal - High level usually	schmitt
	TESTH	1	I	Test signal - Low level usually	
	XTEST	1	I	Test signal - Low level usually	3.3 V CMOS Pull-down
	Power supply / GND	VDDE	22	PWR	Power supply (3.3 V)
VDDI		14	PWR	Power supply (1.8 V)	
PLLVD		2	PWR	PLL power supply (1.8 V)	
VSS		22	PWR	Ground	
PLLVSS		2	PWR	PLL ground	
Total No. of pins		208			



IC44 : TC7MBL6125

Inputs (6125S)	Inputs (6126S)	Function
\overline{OE}	OE	
L	H	A port = B port
H	L	Disconnect



(n=1,2,3,4)

IC45 : NB3N502DR2G

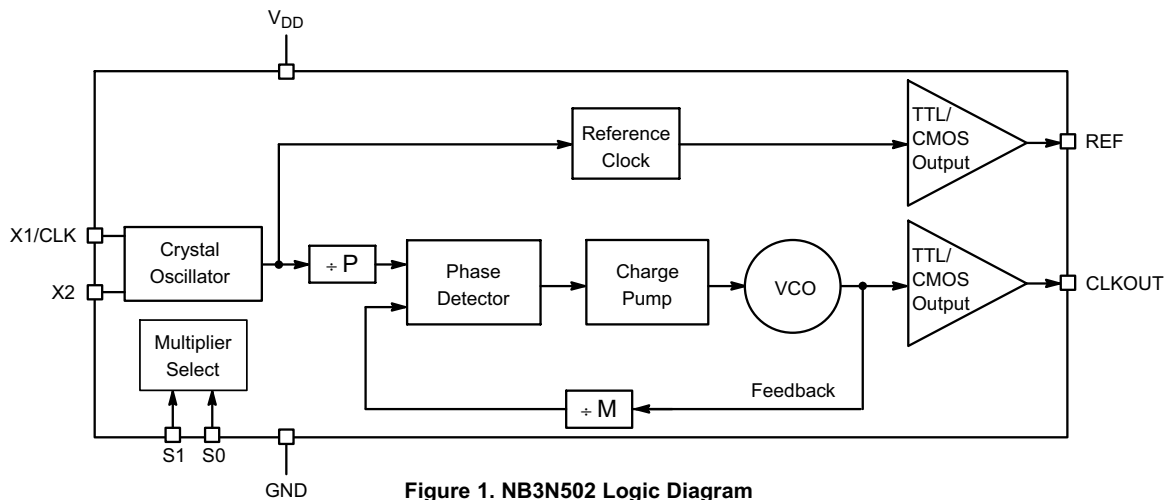


Figure 1. NB3N502 Logic Diagram

Table 1. CLOCK MULTIPLIER SELECT TABLE

S1*	S0**	Multiplier
L	L	2X
L	H	5X
M	L	3X
M	H	3.33X
H	L	4X
H	H	2.5X

L = GND
H = V_{DD}
M = OPEN (unconnected)
* Pin S1 defaults to M when left open
** Pin S0 defaults to H when left open

Table 2. OUTPUT FREQUENCY EXAMPLES

Output Frequency (MHz)	20	25	33.3	48	50	54	64	66.66	75	100	108	120	135
Input Frequency (MHz)	10	10	10	16	20	13.5	16	20	15	20	27	24	27
S1, S0	0, 0	1, 1	M, 1	M, 0	1, 1	1, 0	1, 0	M, 1	0, 1	0, 1	1, 0	0, 1	0, 1

Table 3. PIN DESCRIPTION

Pin #	Name	I/O	Description
1	X1/CLK	Input	Crystal or External Reference Clock Input
2	V _{DD}	Power Supply	Positive Supply Voltage (3 V to 5.5 V)
3	GND	Power Supply	0 V Ground.
4	REF	CMOS/TTL Output	Buffered Crystal Oscillator Clock Output
5	CLKOUT	CMOS/TTL Output	Clock Output
6	S0	CMOS/TTL Input	Multiplier Select Pin – Connect to V _{DD} or GND. Internal Pull-up Resistor.
7	S1	Three-level Input	Multiplier Select Pin – Connect to V _{DD} , GND or Float to M.
8	X2	Crystal Input	Crystal Input – Do Not Connect when Providing an External Clock Reference

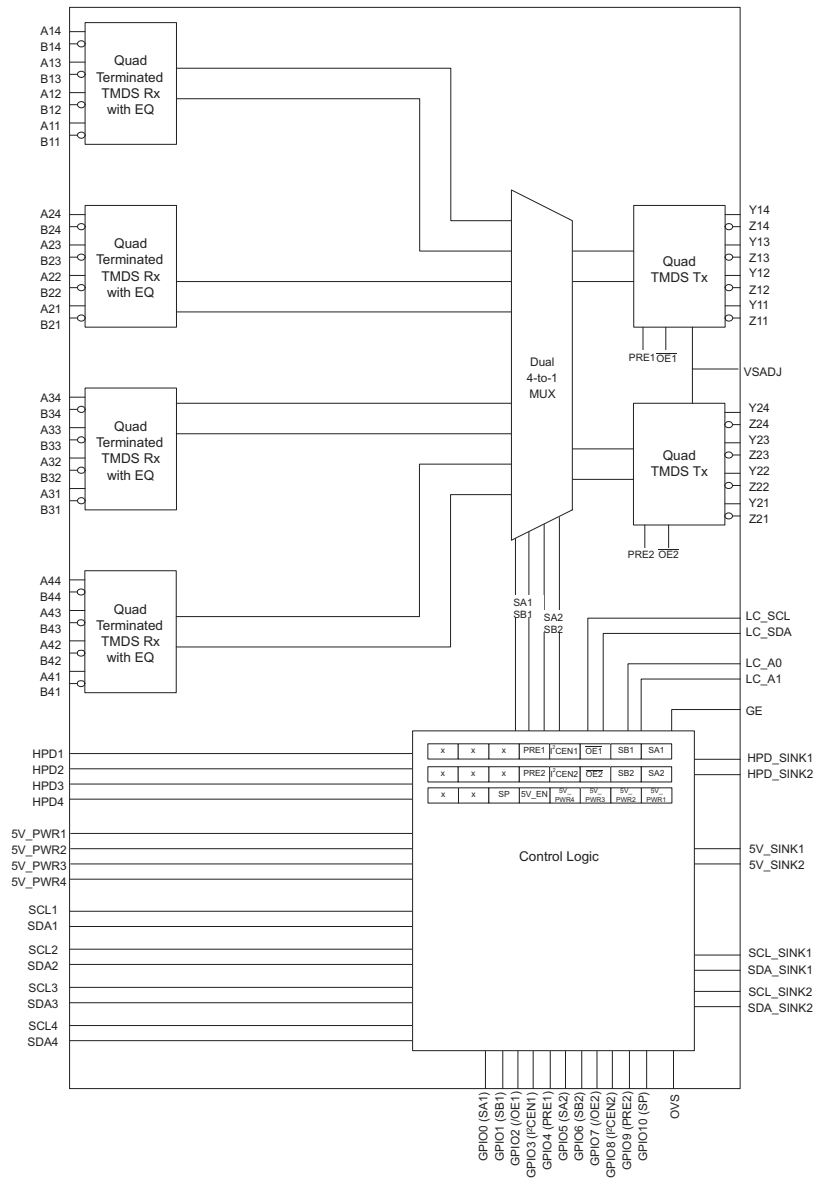
IC50 : BU9450KVI

No.	Name	Diagram	I/O		Note
			Slave Mode	Master Mode	
1	LSDP	G	I	O	
3	SC_TX_OUT	B	O	O	
5	SC_RX_IN	A	I	I	
6	RFU(I2C-SCL)	G	I	I	
7	RFU(I2C-SDA)	G	I	I	
9	ANT_REV	H	n/u	O	
11	RESET#	A	I	I	
12	SLAVE_SEL	A	I	I	
13	I2S_RATE	H	O	O	
14	LINKACTIVE	H	O	O	
15	COMM_TX_EN	G	O	O	
18	COMM_TXRX_P	D	I/O	I/O	This pin is shorted on the die with pin23.
19	COMM_TXRX_M	C	I/O	I/O	This pin is shorted on the die with pin22.
22	COMM_TXRX_M	C	I/O	I/O	This pin is shorted on the die with pin19.
23	COMM_TXRX_P	D	I/O	I/O	This pin is shorted on the die with pin18.
26	OSC_OUT	F	O	O	
27	N.C.	-	-	-	Not connected
28	OSC_IN	E	I	I	
29	SC_RATE	G	O	I	
30	TEST	A	I	I	Must be connected to ground.
31	TEST2	A	I	I	Must be connected to ground.
32	HSDP_DATA	G	I	O	
34	HSDP_CLK	G	I	O	
35	DT4_MODE	A	I	I	
36	HSDP_EN#	G	I	O	
37	I2S_DATA	G	I	O	
39	I2S_SCLK	G	I	O	
41	I2S_LRCLK	G	I	O	
43	I2S_OCLK	H	O	O	
44	MUTE	G	n/u	O	
45	SAII_CLK	G	O	I	
47	SAII_DATA	G	O	I	
48	SAII_REQ	G	I	O	

I: input, O: output
n/u: not used

Pin No.	Pin name	Function
4, 8, 17, 20, 33, 40, 46	VDD	3.3V Supply Voltage
2, 10, 16, 21, 24, 25, 38, 42	VSS	Ground

IC51 : TMDS442

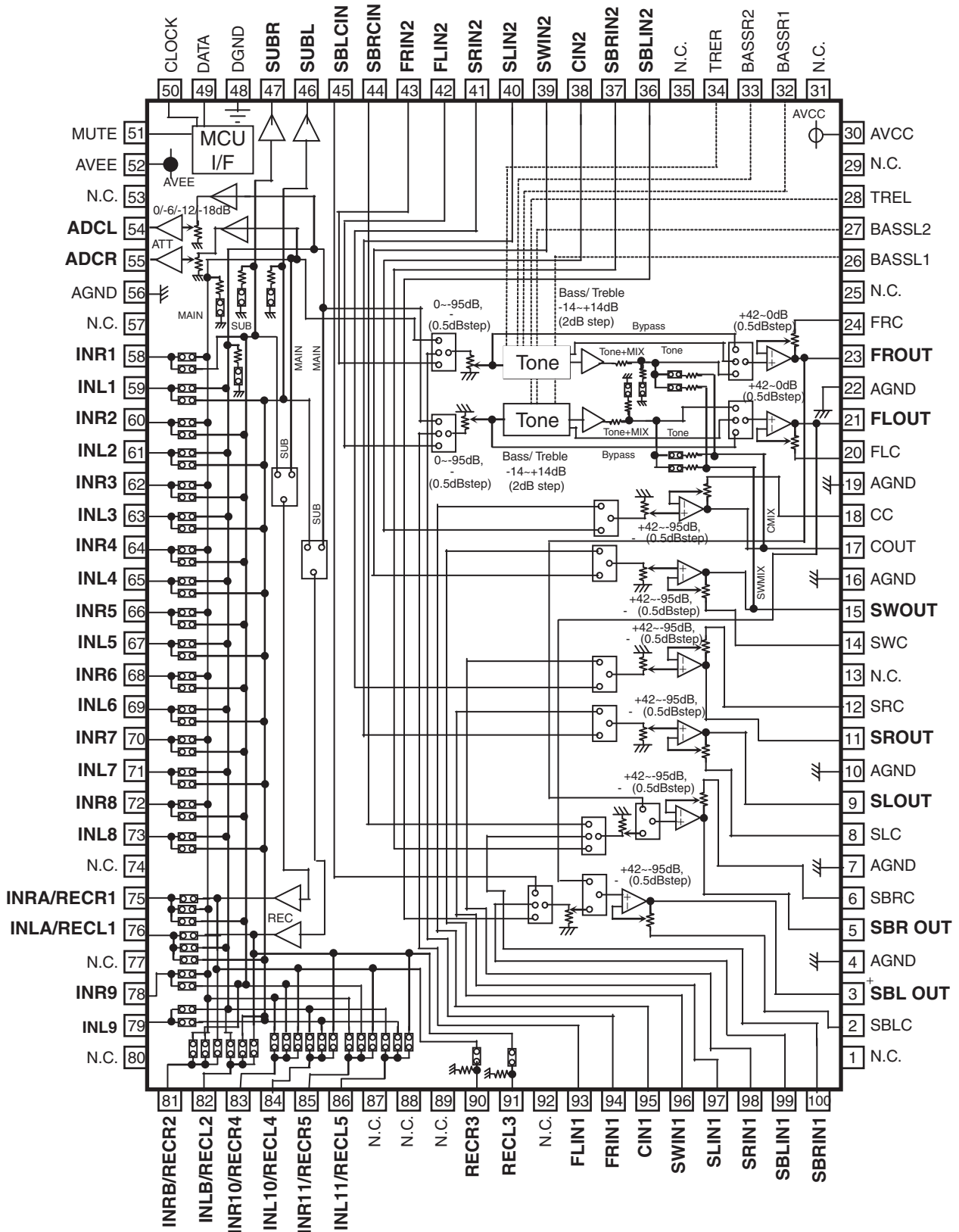


TERMINAL		I/O	DESCRIPTION
NAME	NO.		
A11, A12, A13, A14 A21, A22, A23, A24 A31, A32, A33, A34 A41, A42, A43, A44	8, 11, 14, 17 118, 121, 124, 127 100, 103, 106, 109 82, 85, 88, 91	I	Source port 1 TMDS positive inputs Source port 2 TMDS positive inputs Source port 3 TMDS positive inputs Source port 4 TMDS positive inputs
B11, B12, B13, B14 B21, B22, B23, B24 B31, B32, B33, B34 B41, B42, B43, B44	7, 10, 13, 16 117, 120, 123, 126 99, 102, 105, 108 81, 84, 87, 90	I	Source port 1 TMDS negative inputs Source port 2 TMDS negative inputs Source port 3 TMDS negative inputs Source port 4 TMDS negative inputs
Y11, Y12, Y13, Y14 Y21, Y22, Y23, Y24	62, 59, 56, 53 43, 40, 37, 34	O	Sink port 1 TMDS positive outputs Sink port 2 TMDS positive outputs

IC51 : TMD5442

TERMINAL		I/O	DESCRIPTION
NAME	NO.		
Z11, Z12, Z13, Z14 Z21, Z22, Z23, Z24	63, 60, 57, 54 44, 41, 38, 35	O	Sink port 1 TMD5 negative outputs Sink port 2 TMD5 negative outputs
SCL1 SDA1	54	IO	Source Port 1 DDC I ² C clock line Source Port 1 DDC I ² C data line
SCL2 SDA2	115 114	IO	Source Port 2 DDC I ² C clock line Source Port 2 DDC I ² C data line
SCL3 SDA3	97 96	IO	Source Port 3 DDC I ² C clock line Source Port 3 DDC I ² C data line
SCL4 SDA4	79 78	IO	Source Port 4 DDC I ² C clock line Source Port 4 DDC I ² C data line
SCL_SINK1 SDA_SINK1	65 66	IO	Sink port 1 DDC I ² C clock line Sink port 1 DDC I ² C data line
SCL_SINK2 SDA_SINK2	46 47	IO	Sink port 2 DDC I ² C clock line Sink port 2 DDC I ² C data line
HPD1 HPD2 HPD3 HPD4	2 112 94 76	O	Source Port 1 hot plug detector output Source Port 2 hot plug detector output Source Port 3 hot plug detector output Source Port 4 hot plug detector output
HPD_SINK1 HPD_SINK2	68 49	I	Sink port 1 hot plug detector input Sink port 2 hot plug detector input
5V_PWR1 5V_PWR 2 5V_PWR 3 5V_PWR 4	3 113 95 77	I	Source Port 1 5-V power signal input Source Port 2 5-V power signal input Source Port 3 5-V power signal input Source Port 4 5-V power signal input
5V_SINK1 5V_SINK 2	67 48	O	Sink Port 1 5-V power indicator output Sink Port 2 5-V power indicator output
LC_SCL LC_SDA	74 73	IO	Local I ² C clock line Local I ² C data line
LC_A0 LC_A1	72 71	I	Local I ² C address bit 0 Local I ² C address bit 1
GE	31	I	GPIO Enable L: Local I ² C pins are active, GPIO pins are high impedance H: GPIO pins are active, local I ² C pins are high impedance
GPIO0 GPIO1 GPIO2 GPIO3 GPIO4	20 21 22 23 24	I	SA1 – Sink port 1 source selector SB1 – Sink port 1 source selector OE1 – Sink port 1 TMD5 output enable I2CEN1 – Sink port 1 DDC I ² C output enable PRE1 – Sink port 1 TMD5 AC de-emphasis mode selector
GPIO5 GPIO6 GPIO7 GPIO8 GPIO9 GPIO10 GPIO11	25 26 27 28 29 30 32	I	SA2 – Sink port 2 source selector SB2 – Sink port 2 source selector OE2 – Sink port 2 TMD5 output enable I2CEN2 – Sink port 2 DDC I ² C output enable PRE2 – Sink port 2 TMD5 AC de-emphasis mode selector SP – Sink priority selector OVS – SCL_SINK/SDA_SINK output voltage select
VSADJ	51	I	TMD5 compliant voltage swing control
Vcc	1, 9, 15, 19 36, 42, 50, 55, 61 69, 75, 83, 89, 93 101, 107, 111, 119, 125		Power supply
GND	6, 12, 18, 33, 39, 45, 52, 58, 64 70, 80, 86, 92 98, 104, 110, 116, 122, 128		Ground

IC54 : R2A15218FP

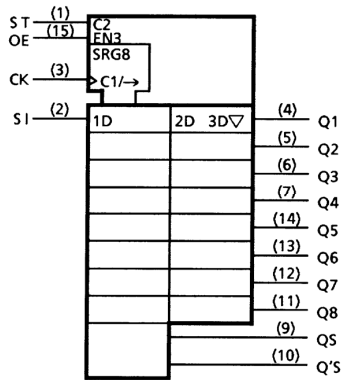


IC54 : R2A15218FP

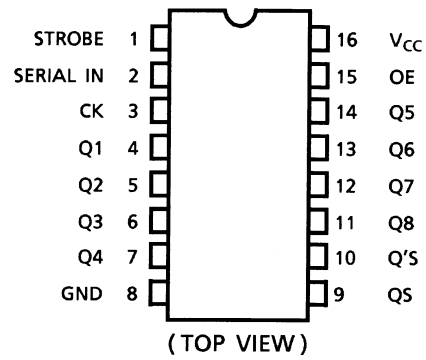
PIN No.	Name	Function
23,21, 17,15, 11,9, 5,3	FROUT,FLOUT, COUT,SWOUT, SROUT, SLOUT, SBROUT,SBLOUT	Output pin of FL/FR/C/SW/SL/SR/SBL/SBR channel
24,20, 18,14, 12,8, 6,2	FRC,FLC, CC,SWC, SRC,SLC, SBRC,SBLC	Connects capacitor for reducing click noise of L/R/C/SW/SL/SR/SBL/SBR channel volume
4,7,10,16, 19,22,56	AGND	Analog ground of internal circuit
28,34	TREL, TRER	Frequency characteristic setting pin of L/R channel tone control (Treble)
26,27, 32,33	BASSL1,BASSL2 BASSR1,BASSR2	Frequency characteristic setting pin of L/R channel tone control (Bass)
30	AVCC	Positive power supply to internal circuit
43,42, 41,40, 39,38, 37,36	FRIN2, FLIN2, SRN2,SLIN2, SWIN2,CIN2, SBRIN2,SBLIN2	Input pin of L/R/C/SW/SL/SR/SBL/SBR channel (Multi IN 1/2)
93,94, 95,96, 97,98, 99,100	FLIN1, FRIN1, CIN1,SWIN1, SLIN1,SRIN1, SBLIN1,SBRIN1	
48	DGND	Digital ground of internal circuit
49	DATA	Input pin of control data
50	CLOCK	Input pin of control clock
52	AVEE	Negative power supply to internal circuit
59,61,63, 65,67,69, 71,73,79	INL1,INL2, INL3, INL4,INL5,INL6, INL7,INL8,INL9	Input pin of L/R channel (Input Selector)
58,60,62, 64,66,68, 70,72,78	INR1,INR2, INR3, INR4,INR5,INR6, INR7,INR8,INR9	
51	MUTE	Outside Mute Control PIN
44,45	SBRCIN,SBLCIN	Input pin for SBL/SBR channel Volume
46,47	SUBL,SUBR	Output pin for L/R channel SUB Output
54,55	ADCL, ADCR	Output pin for L/R channel ADC
90,91	RECR3,RECL3	Output pin for L/R channel REC Output
75,76, 81,82, 83,84, 85,86	INRA/RECR1,INLA/RECL1, INRB/RECR2,INLB/RECL2, INR10/RECR4,INL10/RECL4, INR11/RECR5,INL11/RECL5	Input pin of L/R channel (Input Selector)/ Output pin for L/R channel REC Output
1,13,25,29,31, 35,53, 57,74,77,80, 87,88,89,92	N.C.	No Connected PIN

C91 : TC74HC4052

IEC Logic Symbol



Pin Assignment

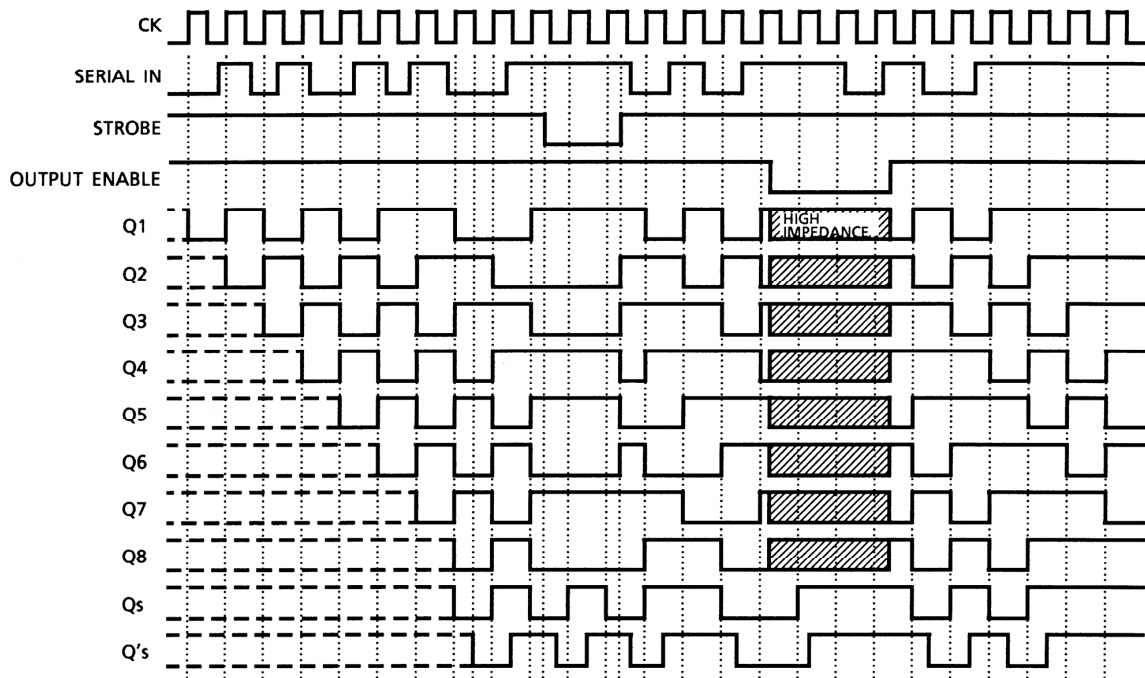


Truth Table

CK	OE	ST	SI	Para. Out		Seri. Out	
				Q1	Qn	Qs	Q's
	H	H	L	L	Qn - 1	Q7	NC
	H	H	H	H	Qn - 1	Q7	NC
	H	L	*	NC	NC	Q7	NC
	L	*	*	Z	Z	Q7	NC
	H	*	*	NC	NC	NC	Qs
	L	*	*	Z	Z	NC	Qs

- X: Don't care
- NC: No change
- Z: High impedance

Timing Chart



114 dB, 192 kHz 8-Ch Codec with S/PDIF Receiver

Features

- Eight 24-bit D/A, two 24-bit A/D Converters
- 114 dB DAC / 114 dB ADC Dynamic Range
- -100 dB THD+N
- System Sampling Rates up to 192 kHz
- S/PDIF Receiver Compatible with EIAJ CP1201 and IEC-60958
- Recovered S/PDIF Clock or System Clock Selection
- 8:2 S/PDIF Input MUX
- ADC High-pass Filter for DC Offset Calibration
- Expandable ADC Channels and One-line Mode Support
- Digital Output Volume Control with Soft Ramp
- Digital +/-15dB Input Gain Adjust for ADC
- Differential Analog Architecture
- Supports logic levels between 5 V and 1.8 V.

General Description

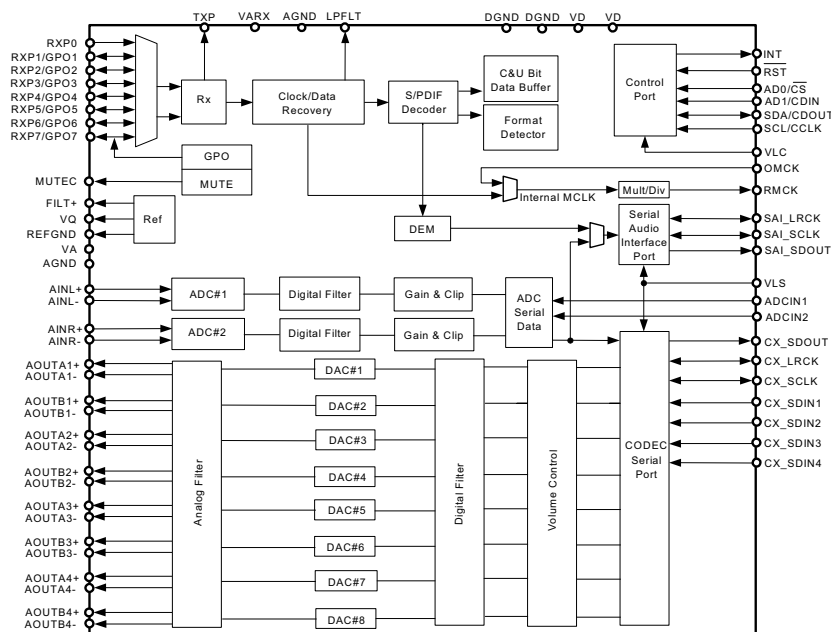
The CS42528 codec provides two analog-to-digital and eight digital-to-analog delta-sigma converters, as well as an integrated S/PDIF receiver, in a 64-pin LQFP package.

The CS42528 integrated S/PDIF receiver supports up to eight inputs, clock recovery circuitry and format auto-detection. The internal stereo ADC is capable of independent channel gain control for single-ended or differential analog inputs. All eight channels of DAC provide digital volume control and differential analog outputs. The general purpose outputs may be driven high or low, or mapped to a variety of DAC mute controls or ADC overflow indicators.

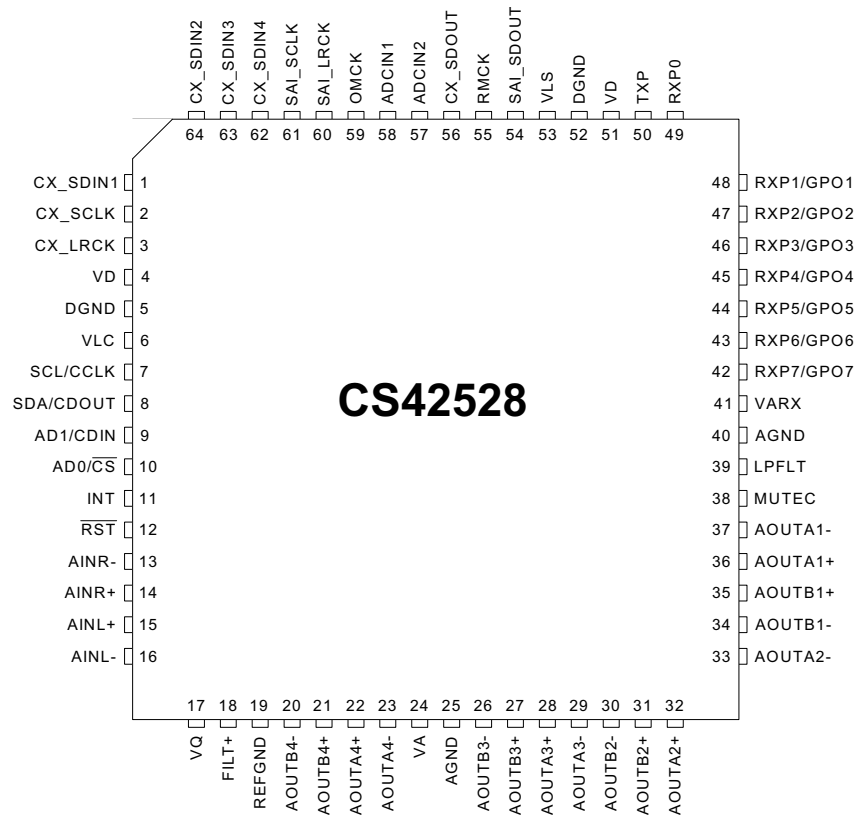
The CS42528 is ideal for audio systems requiring wide dynamic range, negligible distortion and low noise, such as A/V receivers, DVD receivers, digital speaker and automotive audio systems.

ORDERING INFORMATION

CS42528-CQZ	-10° to 70° C	64-pin LQFP	Lead Free
CS42528-DQZ	-40° to 85° C	64-pin LQFP	Lead Free
CDB42528		Evaluation Board	



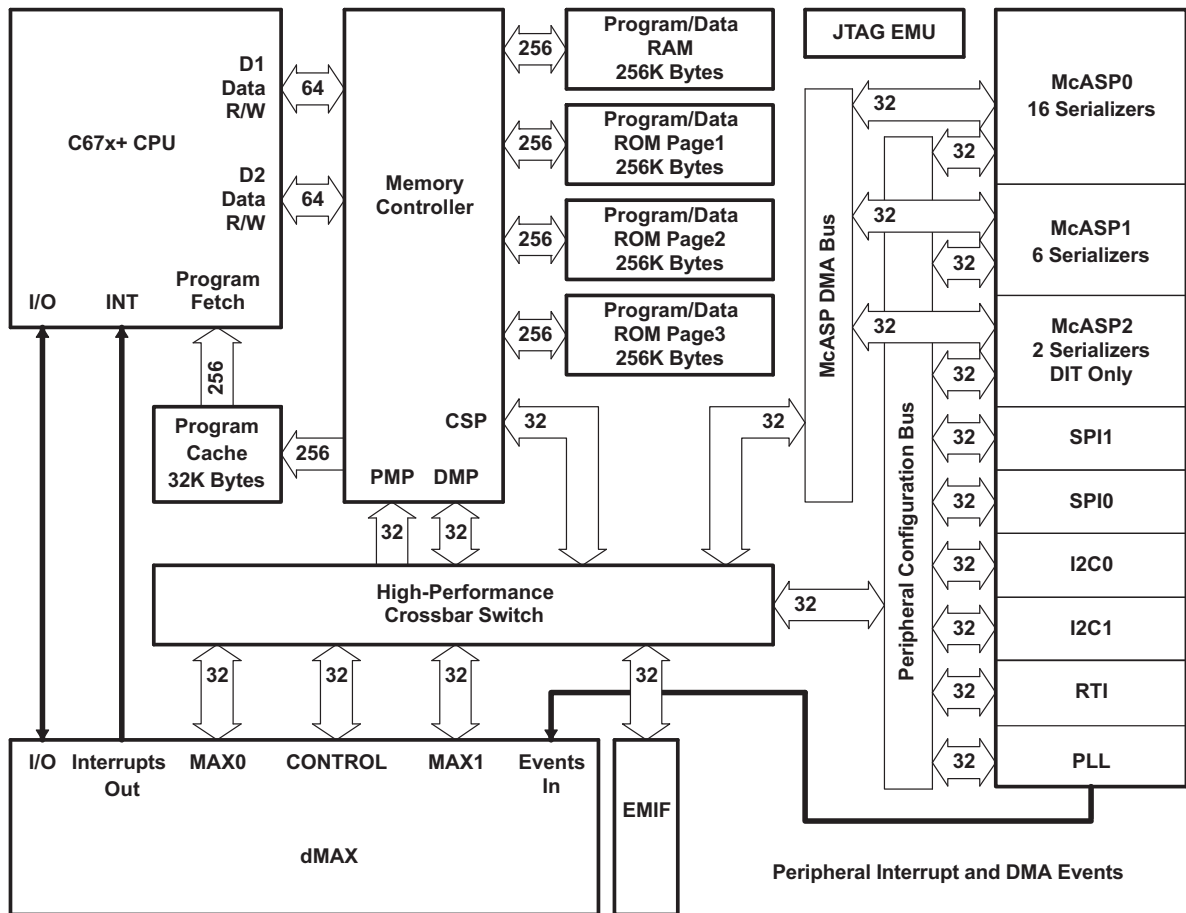
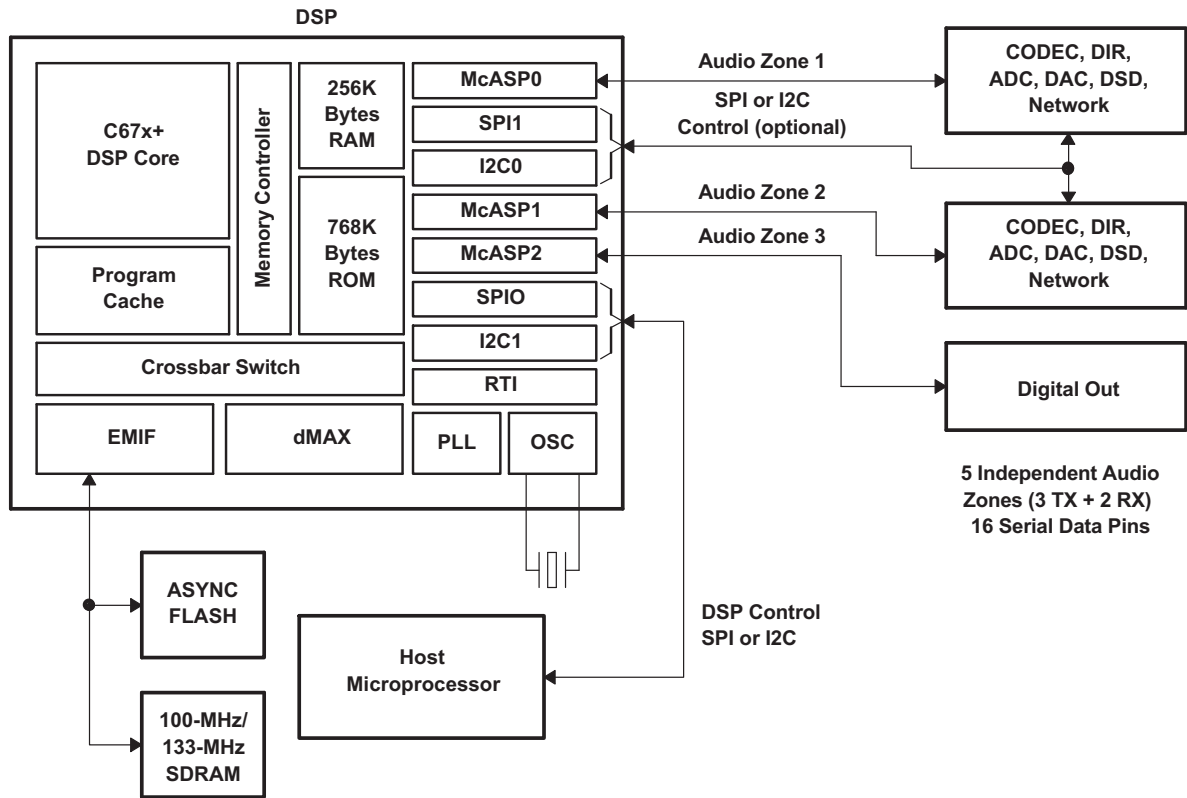
2. PIN DESCRIPTIONS



Pin Name	#	Pin Description
CX_SDIN1	1	Codec Serial Audio Data Input (Input) - Input for two's complement serial audio data.
CX_SDIN2	64	
CX_SDIN3	63	
CX_SDIN4	62	
CX_SCLK	2	CODEC Serial Clock (Input/Output) - Serial clock for the CODEC serial audio interface.
CX_LRCK	3	CODEC Left Right Clock (Input/Output) - Determines which channel, Left or Right, is currently active on the CODEC serial audio data line.
VD	4 51	Digital Power (Input) - Positive power supply for the digital section.
DGND	5 52	Digital Ground (Input) - Ground reference. Should be connected to digital ground.
VLC	6	Control Port Power (Input) - Determines the required signal level for the control port.
SCL/CCLK	7	Serial Control Port Clock (Input) - Serial clock for the serial control port. Requires an external pull-up resistor to the logic interface voltage in I ² C mode as shown in the Typical Connection Diagram.
SDA/CDOUT	8	Serial Control Data (Input/Output) - SDA is a data I/O line in I ² C mode and requires an external pull-up resistor to the logic interface voltage, as shown in the Typical Connection Diagram. CDOUT is the output data line for the control port interface in SPI mode.
AD1/CDIN	9	Address Bit 1 (I²C)/Serial Control Data (SPI) (Input) - AD1 is a chip address pin in I ² C mode; CDIN is the input data line for the control port interface in SPI mode.

AD0/CS	10	Address Bit 0 (I²C)/Control Port Chip Select (SPI) (Input) - AD0 is a chip address pin in I ² C mode; CS is the chip select signal in SPI mode.
INT	11	Interrupt (Output) - The CS42528 will generate an interrupt condition as per the Interrupt Mask register. See "Interrupts" on page 40 for more details.
RST	12	Reset (Input) - The device enters a low power mode and all internal registers are reset to their default settings when low.
AINR- AINR+	13 14	Differential Right Channel Analog Input (Input) - Signals are presented differentially to the delta-sigma modulators via the AINR+/- pins.
AINL+ AINL-	15 16	Differential Left Channel Analog Input (Input) - Signals are presented differentially to the delta-sigma modulators via the AINL+/- pins.
VQ	17	Quiescent Voltage (Output) - Filter connection for internal quiescent reference voltage.
FILT+	18	Positive Voltage Reference (Output) - Positive reference voltage for the internal sampling circuits.
REFGND	19	Reference Ground (Input) - Ground reference for the internal sampling circuits.
AOUTA1 +,- AOUTB1 +,- AOUTA2 +,- AOUTB2 +,- AOUTA3 +,- AOUTB3 +,- AOUTA4 +,- AOUTB4 +,-	36,37 35,34 32,33 31,30 28,29 27,26 22,23 21,20	Differential Analog Output (Output) - The full-scale differential analog output level is specified in the Analog Characteristics specification table.
VA VARX	24 41	Analog Power (Input) - Positive power supply for the analog section.
AGND	25 40	Analog Ground (Input) - Ground reference. Should be connected to analog ground.
MUTEC	38	Mute Control (Output) - The Mute Control pin outputs high impedance following an initial power-on condition or whenever the PDN bit is set to a '1', forcing the codec into power-down mode. The signal will remain in a high impedance state as long as the part is in power-down mode. The Mute Control pin goes to the selected "active" state during reset, muting, or if the master clock to left/right clock frequency ratio is incorrect. This pin is intended to be used as a control for external mute circuits to prevent the clicks and pops that can occur in any single supply system. The use of external mute circuits are not mandatory but may be desired for designs requiring the absolute minimum in extraneous clicks and pops.
LPFLT	39	PLL Loop Filter (Output) - An RC network should be connected between this pin and ground.
RXP7/GPO7 RXP6/GPO6 RXP5/GPO5 RXP4/GPO4 RXP3/GPO3 RXP2/GPO2 RXP1/GPO1	42 43 44 45 46 47 48	S/PDIF Receiver Input/ General Purpose Output (Input/Output) - Receiver inputs for S/PDIF encoded data. The CS42528 has an internal 8:2 multiplexer to select the active receiver port, according to the Receiver Mode Control 2 register. These pins can also be configured as general purpose output pins, ADC Overflow indicators or Mute Control outputs according to the RXP/General Purpose Pin Control registers.
RXP0	49	S/PDIF Receiver Input (Input) - Dedicated receiver input for S/PDIF encoded data.
TXP	50	S/PDIF Transmitter Output (Output) - S/PDIF encoded data output, mapped directly from one of the receiver inputs as indicated by the Receiver Mode Control 2 register.
VLS	53	Serial Port Interface Power (Input) - Determines the required signal level for the serial port interfaces.
SAI_SDOUT	54	Serial Audio Interface Serial Data Output (Output) - Output for two's complement serial audio PCM data from the S/PDIF incoming stream. This pin can also be configured to transmit the output of the internal and external ADCs.
RMCK	55	Recovered Master Clock (Output) - Recovered master clock output from the External Clock Reference (OMCK, pin 59) or the PLL which is locked to the incoming S/PDIF stream or CX_LRCK.
CX_SDOUT	56	CODEC Serial Data Output (Output) - Output for two's complement serial audio data from the internal and external ADCs.
ADCIN1 ADCIN2	58 57	External ADC Serial Input (Input) - The CS42528 provides for up to two external stereo analog to digital converter inputs to provide a maximum of six channels on one serial data output line when the CS42528 is placed in One Line mode.
OMCK	59	External Reference Clock (Input) - External clock reference that must be within the ranges specified in the register "OMCK Frequency (OMCK Freqx)" on page 54.
SAI_LRCK	60	Serial Audio Interface Left/Right Clock (Input/Output) - Determines which channel, Left or Right, is currently active on the serial audio data line.
SAI_SCLK	61	Serial Audio Interface Serial Clock (Input/Output) - Serial clock for the Serial Audio Interface.

IC111 : TMS320DA788B



16. ELECTRICAL PARTS LIST

PARTS INFORMATION

RESISTORS

- 1) 00MGD05 × × × 140, Carbon film fixed resistor, ±5% 1/4W
 2) 00MGD05 × × × 160, Carbon film fixed resistor, ±5% 1/6W

① — Resistance value

Examples ;

① Resistance value

0.1Ω 001	10Ω 100	1kΩ 102	100kΩ 104
0.5Ω 005	18Ω 180	2.7kΩ 272	680kΩ 684
1Ω 010	100Ω 101	10kΩ 103	1MΩ 105
6.8Ω 068	390Ω 391	22kΩ 223	4.7MΩ 475

Note : Please distinguish 1/4W from 1/6W by the shape of parts used actually.

CAPACITORS

CERAMIC CAP.

- 3) 00MDD1 × × × × 370, Ceramic capacitor
 Disc type
 Temp.coeff.P350 ~ N1000, 50V
- ② — Capacity value
 ③ — Tolerance

Examples ;

- ② Tolerance (Capacity deviation)
- | |
|---------------|
| ±0.25pF.....0 |
| ±0.5pF.....1 |
| ±5%.....5 |

* Tolerance of COMMON PARTS handled here are as follows :

0.5pF ~	5pF ±0.25pF
6pF ~	10pF ±0.5pF
12pF ~	560pF ±5%

③ Capacity value

0.5pF 005	3pF 030	100pF 101
1pF 010	10pF 100	220pF 221
1.5pF 015	47pF 470	560pF 561

CERAMIC CAP.

- 4) 00MDK16 × × × 300, High dielectric constant ceramic capacitor
 Disc type
 Temp.chara. 2B4, 50V
- ④ — Capacity value

Examples ;

- ④ Capacity value
- | | | |
|----------------|-----------------|------------------|
| 100pF 101 | 1000pF 102 | 10000pF 103 |
| 470pF 471 | 2200pF 222 | |

ELECTROLY CAP. ()

- 5) 00MEA × × × × × 10, Electrolytic capacitor
 One-way lead type, Tolerance ±20%
- ⑤ — Working voltage
 ⑥ — Capacity value

Examples ;

- ⑤ Capacity value
- | | | |
|-----------------|----------------|----------------|
| 0.1μF 104 | 4.7μF 475 | 100μF ... 107 |
| 0.33μF 334 | 10μF 106 | 330μF ... 337 |
| 1μF 105 | 22μF 226 | 1100μF ... 118 |
| | | 2200μF ... 228 |
- ⑥ Working voltage
- | | |
|---------------|--------------|
| 6.3V 006 | 25V 025 |
| 10V 010 | 35V 035 |
| 16V 016 | 50V 050 |

FILM CAP. ()

- 6) 00MDF15 × × × 350 Plastic film capacitor
 One-way type, Mylar ±5% 50V
 00MDF15 × × × 310 Plastic film capacitor
 One-way type, Mylar ±10% 50V
- ⑦ — Capacity value

Examples ;

- ⑦ Capacity value
- | | |
|----------------------------|-----------------|
| 0.001μF (1000pF) 102 | 0.1μF 104 |
| 0.0018μF 182 | 0.56μF 564 |
| 0.01μF 103 | 1μF 105 |
| 0.015μF 153 | |

NOTE ON SAFETY FOR FUSIBLE RESISTOR :

The suppliers and their type numbers of fusible resistors are as follows;

1. KOA Corporation

Part No. (MJI)	Type No. (KOA)	Description
00MNH05 × × × 140	→ RF25S × × × × ΩJ	(±5% 1/4W)
00MNH05 × × × 120	→ RF50S × × × × ΩJ	(±5% 1/2W)
00MNH85 × × × 110	→ RF73B2A × × × × ΩJ	(±5% 1/10W)
00MNH95 × × × 140	→ RF73B2E × × × × ΩJ	(±5% 1/4W)

* Resistance value Resistance value (0.1 – 10kΩ)

2. Matsushita Electronic Components Co., Ltd

Part No. (MJI)	Type No. (MEC)	Description
00MNF05 × × × 140	→ ERD-2FCJ × × ×	(±5% 1/4W)
00MRF05 × × × 140		
00MNF02 × × × 140	→ ERD-2FCG × × ×	(±2% 1/4W)
00MRF02 × × × 140		

* Resistance value * Resistance value

Examples ;

* Resistance value

0.1Ω 001	10Ω 100	1kΩ 102	100kΩ 104
0.5Ω 005	18Ω 180	2.7kΩ 272	680kΩ 684
1Ω 010	100Ω 101	10kΩ 103	1MΩ 105
6.8Ω 068	390Ω 391	22kΩ 223	4.7MΩ 475



ABBREVIATION AND MARKS

ANT. : ANTENNA	BATT. : BATTERY
CAP. : CAPACITOR	CER. : CERAMIC
CONN. : CONNECTING	DIG. : DIGITAL
HP : HEADPHONE	MIC. : MICROPHONE
μ-PRO : MICROPROCESSOR	REC. : RECORDING
RES. : RESISTOR	SPK : SPEAKER
SW : SWITCH	TRANSF : TRANSFORMER
TRIM. : TRIMMING	TRS. : TRANSISTOR
VAR. : VARIABLE	X'TAL : CRYSTAL


NOTE ON FUSE :

Regarding to all parts of parts code **00MFS20xxx2xx**, replace only with Wickmann-Werke GmbH, Type 372 non glass type fuse.

NOTE ON SAFETY :

Symbol  Fire or electrical shock hazard. Only original parts should be used to replaced any part marked with symbol . Any other component substitution (other than original type), may increase risk of fire or electrical shock hazard.

安全上の注意 :

 がついている部品は、安全上重要な部品です。必ず指定されている部品番号の部品を使用して下さい。

P.W.B. NAME	POS. NO.	VERS. COLOR	PART NO. (FOR EUR)	PART NO. (MZ)	PART NAME	DESCRIPTION
					FRONT PWB ASS'Y (COP12205)	
FRONT	BK11		nsp	nsp	BRACKET	BRACKET FLT CMD1A468
FRONT	BK12		nsp	nsp	BRACKET	BRACKET FLT CMD1A468
AUX	BK13		nsp	nsp	PLATE	EARTH PLETE SR6003 CMC1A354
AUX	BK14		nsp	nsp	PLATE	EARTH PLETE SR6003 CMC1A354
FRONT	BN10		nsp	nsp	CONN.	9P WAFER CJP09GB03ZY
FRONT	BN11		nsp	nsp	CORD	5P WIRE ASSY 250MM CWB1B00525047
FRONT	BN31		90M-YP100410R	90M-YP100410R	CONN.	7P PIN HEADER CJP07GA98ZY
FRONT	BN82		nsp	nsp	CONN.	21P WAFER CARD CABLE CJP21GB116ZY
FRONT	BN97		nsp	nsp	CONN.	9P ANGLE 2.0MM CJP09GJ247ZW
FRONT	C100		nsp	00MEJ10601610	ELECT CAP.	100UF 16V KS CCEA1CK101T
FRONT	C101		nsp	00MEJ10601640	ELECT CAP.	10UF 16V KS CCEA1CK100T
FRONT	C102		nsp	00MEJ10601610	ELECT CAP.	100UF 16V KS CCEA1CK101T
FRONT	C103		90M-EJ000120R	90M-EJ000120R	ELECT CAP.	47UF 25V CCEA1EK5470T
FRONT	C104		nsp	00MEJ47601640	ELECT CAP.	47 UF 16V KS CCEA1CK5470T
FRONT	C105		00MOA10705020	00MOA10705020	ELECT CAP.	100UF 50V CCEA1HH101T
FRONT	C106		nsp	00MEJ10601640	ELECT CAP.	10UF 16V KS CCEA1CK100T
FRONT	C107		00MOA47605020	00MOA47605020	ELECT CAP.	47UF 50V CCEA1HH470T
FRONT	C108		nsp	nsp	FILM CAP.	0.01UF 100V J MYLAR HCQ1H103JZT
FRONT	C109		90M-EJ000020R	90M-EJ000020R	ELECT CAP.	22UF 16V CCEA1CK5220T
FRONT	C110		nsp	nsp	FILM CAP.	0.01UF 100V J MYLAR HCQ1H103JZT
FRONT	C111		00MOA47605020	00MOA47605020	ELECT CAP.	47UF 50V CCEA1HH470T
FRONT	C113		90M-EJ000120R	90M-EJ000120R	ELECT CAP.	47UF 25V CCEA1EK5470T
FRONT	C114		90M-EJ000040R	90M-EJ000040R	ELECT CAP.	10UF 50V KS CCEA1HKS100T
FRONT	C115		nsp	00MEJ10505010	ELECT CAP.	1UF 50V CCEA1HKS1R0T
FRONT	C116		nsp	00MEJ10601610	ELECT CAP.	100UF 16V KS CCEA1CK101T
FRONT	C117		nsp	00MEJ10601610	ELECT CAP.	100UF 16V KS CCEA1CK101T
FRONT	C118		90M-EJ000050R	90M-EJ000050R	ELECT CAP.	4.7UF 50V CCEA1HKS4R7T
FRONT	C119		90M-EJ000050R	90M-EJ000050R	ELECT CAP.	4.7UF 50V CCEA1HKS4R7T
FRONT	C120		90M-EJ000040R	90M-EJ000040R	ELECT CAP.	10UF 50V KS CCEA1HKS100T
FRONT	C121		90M-EJ000020R	90M-EJ000020R	ELECT CAP.	22UF 16V CCEA1CK5220T
FRONT	C122		90M-EJ000120R	90M-EJ000120R	ELECT CAP.	47UF 25V CCEA1EK5470T
SW	△C123	N1B	90M-DK100800R	90M-DK100800R	CER. CAP.	! DKS471ME KCKDKS471ME
SW	△C123	/N1SG	90M-DK100800R	90M-DK100800R	CER. CAP.	! DKS471ME KCKDKS471ME
SW	△C123	/K1SG	nsp	90M-DK100800R	CER. CAP.	! DKS471ME KCKDKS471ME
FRONT	C124		nsp	00MDD95101300	CER. CAP.	100PF 50V JA CCUS1H101JA
FRONT	C125		nsp	00MDK96104300	CER. CAP.	0.1UF 50V K CCUS1H104KC
FRONT	C126		nsp	00MDK98223300	CER. CAP.	0.022UF 50V KC CCUS1H223KC
FRONT	C127		nsp	00MDK96104300	CER. CAP.	0.1UF 50V K CCUS1H104KC
FRONT	C128		nsp	00MDK98223300	CER. CAP.	0.022UF 50V KC CCUS1H223KC
FRONT	C129		nsp	00MDK96104300	CER. CAP.	0.1UF 50V K CCUS1H104KC
FRONT	C130		nsp	00MDK96104300	CER. CAP.	0.1UF 50V K CCUS1H104KC
FRONT	C131		nsp	00MDK96104300	CER. CAP.	0.1UF 50V K CCUS1H104KC
FRONT	C132		nsp	00MDK96104300	CER. CAP.	0.1UF 50V K CCUS1H104KC
FRONT	C133		nsp	00MDD95101300	CER. CAP.	100PF 50V JA CCUS1H101JA
FRONT	C134		nsp	00MDD95101300	CER. CAP.	100PF 50V JA CCUS1H101JA
FRONT	C135		nsp	00MDD95101300	CER. CAP.	100PF 50V JA CCUS1H101JA
FRONT	C136		nsp	00MDK96104300	CER. CAP.	0.1UF 50V K CCUS1H104KC
FRONT	C137		nsp	00MDK96104300	CER. CAP.	0.1UF 50V K CCUS1H104KC
FRONT	C138		nsp	00MDK96104300	CER. CAP.	0.1UF 50V K CCUS1H104KC
FRONT	C139		nsp	00MDK96103300	CER. CAP.	0.01UF 50V KC CCUS1H103KC
FRONT	C140		nsp	00MDD95101300	CER. CAP.	100PF 50V JA CCUS1H101JA
FRONT	C141		nsp	00MDK96103300	CER. CAP.	0.01UF 50V KC CCUS1H103KC
FRONT	C142		nsp	00MDK96103300	CER. CAP.	0.01UF 50V KC CCUS1H103KC

P.W.B. NAME	POS. NO.	VERS. COLOR	PART NO. (FOR EUR)	PART NO. (MZ)	PART NAME	DESCRIPTION	
FRONT	C143		nsp	00MDK96103300	CER. CAP.	0.01UF 50V KC	CCUS1H103KC
FRONT	C144		nsp	00MDK96103300	CER. CAP.	0.01UF 50V KC	CCUS1H103KC
FRONT	C145		nsp	00MDD95101300	CER. CAP.	100PF 50V JA	CCUS1H101JA
FRONT	C147		nsp	00MDK96103300	CER. CAP.	0.01UF 50V KC	CCUS1H103KC
FRONT	C148		nsp	00MDK96104300	CER. CAP.	0.1UF 50V K	CCUS1H104KC
FRONT	C149		nsp	00MDK96104300	CER. CAP.	0.1UF 50V K	CCUS1H104KC
FRONT	C150		nsp	00MDD95471300	CER. CAP.	470PF 50V JA	CCUS1H471JA
FRONT	C151		nsp	00MDK96104300	CER. CAP.	0.1UF 50V K	CCUS1H104KC
FRONT	C153		nsp	00MDK96104300	CER. CAP.	0.1UF 50V K	CCUS1H104KC
FRONT	C154		nsp	00MDK96104300	CER. CAP.	0.1UF 50V K	CCUS1H104KC
FRONT	C155		nsp	00MDD95471300	CER. CAP.	470PF 50V JA	CCUS1H471JA
FRONT	C156		nsp	00MDD95101300	CER. CAP.	100PF 50V JA	CCUS1H101JA
FRONT	C157		nsp	00MDD95471300	CER. CAP.	470PF 50V JA	CCUS1H471JA
FRONT	C158		nsp	00MDD95471300	CER. CAP.	470PF 50V JA	CCUS1H471JA
FRONT	C160		nsp	00MDK96103300	CER. CAP.	0.01UF 50V KC	CCUS1H103KC
AUX	C162		nsp	00MDK96104300	CER. CAP.	0.1UF 50V K	CCUS1H104KC
AUX	C163		nsp	00MDK96104300	CER. CAP.	0.1UF 50V K	CCUS1H104KC
AUX	C164		nsp	00MDK96104300	CER. CAP.	0.1UF 50V K	CCUS1H104KC
FRONT	C165		nsp	00MDK96104300	CER. CAP.	0.1UF 50V K	CCUS1H104KC
FRONT	C170		nsp	00MDK96104300	CER. CAP.	0.1UF 50V K	CCUS1H104KC
SW	CN11	N1B	nsp	nsp	CONN.	2P WAFER	CJP02GB89ZY
SW	CN11	/N1SG	nsp	nsp	CONN.	2P WAFER	CJP02GB89ZY
SW	CN11	/K1SG	nsp	nsp	CONN.	2P WAFER	CJP02GB89ZY
FRONT	D100		943263008120S	943263008120S	L.E.D.	GREEN LED SLR343EC4T32T0	CVDSL343EC4T32T0
FRONT	D101		90M-HI101190R	90M-HI101190R	L.E.D.	BLUE LED TOL-52CSBBCEAB2	CVD52CSBBCEAB2
FRONT	D102		943263008120S	943263008120S	L.E.D.	GREEN LED SLR343EC4T32T0	CVDSL343EC4T32T0
FRONT	D103		90M-HD302350R	90M-HD302350R	ZENER DIODE	ZJ27B 1/2W	CVDZJ27BT
FRONT	D105		90M-HD302360R	90M-HD302360R	ZENER DIODE	ZJ6.8B 1/2W	CVDZJ6.8BT
FRONT	D106		90M-HD201750R	90M-HD201750R	DIODE	1N4003	CVD1N4003SRT
FRONT	D107		90M-HD302360R	90M-HD302360R	ZENER DIODE	ZJ6.8B 1/2W	CVDZJ6.8BT
FRONT	D108		263710016400S	263710016400S	L.E.D.	SLI-325URT31W TP	CVDSL325URT31WT055
FRONT	D109		00MHZ21303210	00MHZ21303210	DIODE	1SS355	CVD1SS355T
FRONT	D110		00MHZ21303210	00MHZ21303210	DIODE	1SS355	CVD1SS355T
FRONT	EN10		90M-SR000270R	90M-SR000270R	ROTARY SW	EC16B12S0AD4ZZZ	HSR2A032Z
FRONT	EN11		943663001560S	943663001560S	ROTARY SW	EC16B24T01D4ZZZ	CSR2A047Z
FRONT	FL10		943172003730M	943172003730M	DISPLAY	V.F.D. 17-ST-10GINAK	CFL17ST10GINAK
FRONT	IC10		943239008110S	943239008110S	IC	MM1512XNRE	CVIMM1512XNRE
FRONT	IC11		00MHC10102090	00MHC10102090	IC	NJM2068MD-TE1	HVINJM2068MDTE1
FRONT	IC12		00MHC700400Z0	00MHC700400Z0	IC	TC74HCU04AFN	HVITC74HCU04AFN
AUX	J115		nsp	nsp	CORD	WIRE ASSY	CWE8202120RV
AUX	JK10		943643008150S	943643008150S	TERMINAL	CINCH JACK 3P SILVER	CJJ4S048Z
AUX	JK11		943643002080S	943643002080S	TERMINAL	S-VIDEO SILVER	CJJ9M004Y
FRONT	L101		nsp	00MNN05000610	CHIP RES.	0 OHM 1/10W J	CRJ10DJ0R0T
FRONT	L102		90M-FC900400R	90M-FC900400R	FERRITE CORE	BEAD CHIP 60(1608 SIZE)	CLZ9R005Z
FRONT	L103		90M-FC900400R	90M-FC900400R	FERRITE CORE	BEAD CHIP 60(1608 SIZE)	CLZ9R005Z
FRONT	L104		90M-FC900400R	90M-FC900400R	FERRITE CORE	BEAD CHIP 60(1608 SIZE)	CLZ9R005Z
FRONT	Q100		00MHT800931A0	00MHT800931A0	TRS.	KTC3200GR-AT/P	HVTKTC3200GRT
FRONT	Q101		00MHT800931A0	00MHT800931A0	TRS.	KTC3200GR-AT/P	HVTKTC3200GRT
FRONT	Q102		00MHT800931A0	00MHT800931A0	TRS.	KTC3200GR-AT/P	HVTKTC3200GRT
FRONT	Q103		943219006820S	943219006820S	TRS.	KTC1027YT	CVTKTC1027YT
FRONT	Q104		90M-HX600010R	90M-HX600010R	CHIP TRS.	KRA102S	HVTKRA102S
FRONT	Q105		90M-HX600010R	90M-HX600010R	CHIP TRS.	KRA102S	HVTKRA102S
FRONT	Q106		90M-HX600010R	90M-HX600010R	CHIP TRS.	KRA102S	HVTKRA102S
FRONT	Q107		90M-HX600010R	90M-HX600010R	CHIP TRS.	KRA102S	HVTKRA102S
FRONT	Q108		90M-HX600010R	90M-HX600010R	CHIP TRS.	KRA102S	HVTKRA102S

P.W.B. NAME	POS. NO.	VERS. COLOR	PART NO. (FOR EUR)	PART NO. (MZ)	PART NAME	DESCRIPTION
FRONT	R100		nsp	nsp	RES.	4.7 OHM 1/6W J CARBON CRD20TJ4R7T
FRONT	R101		nsp	nsp	RES.	10 OHM 1/6W J CARBON CRD20TJ100T
FRONT	R102		nsp	nsp	RES.	4.7 OHM 1/6W J CARBON CRD20TJ4R7T
FRONT	R103		943121007000M	943121007000M	CHIP RES.	3.3 OHM 1/4W J CARBON NONFLAMMABLE CRD25FJ3R3T
FRONT	R104		nsp	00MNN05101610	CHIP RES.	100 OHM 1/10W J CRJ10DJ101T
FRONT	R105		nsp	00MNN05101610	CHIP RES.	100 OHM 1/10W J CRJ10DJ101T
FRONT	R106		nsp	00MNN05101610	CHIP RES.	100 OHM 1/10W J CRJ10DJ101T
FRONT	R107		nsp	00MNN05103610	CHIP RES.	10K OHM 1/10W J CRJ10DJ103T
FRONT	R108		nsp	00MNN05100610	CHIP RES.	10 OHM 1/10W J CRJ10DJ100T
FRONT	R109		nsp	00MNN05100610	CHIP RES.	10 OHM 1/10W J CRJ10DJ100T
FRONT	R110		nsp	00MNN05152610	CHIP RES.	1.5K OHM 1/10W J CRJ10DJ152T
FRONT	R111		nsp	00MNN05123610	CHIP RES.	12K OHM 1/10W J CRJ10DJ123T
FRONT	R112		nsp	00MNN05101610	CHIP RES.	100 OHM 1/10W J CRJ10DJ101T
FRONT	R113		nsp	00MNN05470610	CHIP RES.	47 OHM 1/10W J CRJ10DJ470T
FRONT	R114		nsp	00MNN05470610	CHIP RES.	47 OHM 1/10W J CRJ10DJ470T
FRONT	R115		nsp	00MNN05470610	CHIP RES.	47 OHM 1/10W J CRJ10DJ470T
FRONT	R116		nsp	00MNN05104610	CHIP RES.	100K OHM 1/10W J CRJ10DJ104T
FRONT	R117		nsp	00MNN05104610	CHIP RES.	100K OHM 1/10W J CRJ10DJ104T
FRONT	R118		nsp	00MNN05104610	CHIP RES.	100K OHM 1/10W J CRJ10DJ104T
FRONT	R119		nsp	00MNN05221610	CHIP RES.	220 OHM 1/10W J CRJ10DJ221T
FRONT	R120		nsp	00MNN05100610	CHIP RES.	10 OHM 1/10W J CRJ10DJ100T
FRONT	R121		nsp	00MNN05103610	CHIP RES.	10K OHM 1/10W J CRJ10DJ103T
FRONT	R122		nsp	00MNN05103610	CHIP RES.	10K OHM 1/10W J CRJ10DJ103T
FRONT	R123		nsp	00MNN05101610	CHIP RES.	100 OHM 1/10W J CRJ10DJ101T
FRONT	R124		nsp	00MNN05101610	CHIP RES.	100 OHM 1/10W J CRJ10DJ101T
FRONT	R125		nsp	00MNN05103610	CHIP RES.	10K OHM 1/10W J CRJ10DJ103T
FRONT	R126		nsp	00MNN05103610	CHIP RES.	10K OHM 1/10W J CRJ10DJ103T
FRONT	R127		nsp	00MNN05103610	CHIP RES.	10K OHM 1/10W J CRJ10DJ103T
FRONT	R128		nsp	00MNN05103610	CHIP RES.	10K OHM 1/10W J CRJ10DJ103T
FRONT	R129		nsp	00MNN05103610	CHIP RES.	10K OHM 1/10W J CRJ10DJ103T
FRONT	R130		nsp	00MNN05103610	CHIP RES.	10K OHM 1/10W J CRJ10DJ103T
FRONT	R131		nsp	00MNN05103610	CHIP RES.	10K OHM 1/10W J CRJ10DJ103T
FRONT	R132		nsp	00MNN05103610	CHIP RES.	10K OHM 1/10W J CRJ10DJ103T
FRONT	R133		nsp	00MNN05103610	CHIP RES.	10K OHM 1/10W J CRJ10DJ103T
FRONT	R134		nsp	00MNN05101610	CHIP RES.	100 OHM 1/10W J CRJ10DJ101T
FRONT	R135		nsp	00MNN05122610	CHIP RES.	1.2K OHM 1/10W J CRJ10DJ122T
FRONT	R136		nsp	00MNN05333610	CHIP RES.	33K OHM 1/10W J CRJ10DJ333T
FRONT	R137		nsp	00MNN05333610	CHIP RES.	33K OHM 1/10W J CRJ10DJ333T
FRONT	R138		nsp	00MNN05333610	CHIP RES.	33K OHM 1/10W J CRJ10DJ333T
FRONT	R139		nsp	00MNN05473610	CHIP RES.	47K OHM 1/10W J CRJ10DJ473T
FRONT	R140		nsp	00MNN05681610	CHIP RES.	680 OHM 1/10W J CRJ10DJ681T
FRONT	R141		nsp	00MNN05272610	CHIP RES.	2.7K OHM 1/10W J CRJ10DJ272T
FRONT	R142		nsp	00MNN05152610	CHIP RES.	1.5K OHM 1/10W J CRJ10DJ152T
FRONT	R143		nsp	00MNN05821610	CHIP RES.	820 OHM 1/10W J CRJ10DJ821T
FRONT	R144		nsp	00MNN05681610	CHIP RES.	680 OHM 1/10W J CRJ10DJ681T
FRONT	R145		nsp	00MNN05272610	CHIP RES.	2.7K OHM 1/10W J CRJ10DJ272T
FRONT	R146		nsp	00MNN05821610	CHIP RES.	820 OHM 1/10W J CRJ10DJ821T
FRONT	R147		nsp	00MNN05681610	CHIP RES.	680 OHM 1/10W J CRJ10DJ681T
FRONT	R148		nsp	00MNN05561610	CHIP RES.	560 OHM 1/10W J CRJ10DJ561T
FRONT	R149		nsp	00MNN05562610	CHIP RES.	5.6K OHM 1/10W J CRJ10DJ562T
FRONT	R150		nsp	00MNN05821610	CHIP RES.	820 OHM 1/10W J CRJ10DJ821T
FRONT	R151		nsp	00MNN05222610	CHIP RES.	2.2K OHM 1/10W J CRJ10DJ222T
FRONT	R152		nsp	00MNN05102610	CHIP RES.	1K OHM 1/10W J CRJ10DJ102T
FRONT	R153		nsp	00MNN05561610	CHIP RES.	560 OHM 1/10W J CRJ10DJ561T

P.W.B. NAME	POS. NO.	VERS. COLOR	PART NO. (FOR EUR)	PART NO. (MZ)	PART NAME	DESCRIPTION	
FRONT	R154		nsp	00MNN05562610	CHIP RES.	5.6K OHM 1/10W J	CRJ10DJ562T
FRONT	R155		nsp	00MNN05102610	CHIP RES.	1K OHM 1/10W J	CRJ10DJ102T
FRONT	R156		nsp	00MNN05561610	CHIP RES.	560 OHM 1/10W J	CRJ10DJ561T
FRONT	R157		nsp	00MNN05750610	CHIP RES.	75 OHM 1/10W J	CRJ10DJ750T
FRONT	R158		nsp	00MNN05473610	CHIP RES.	47K OHM 1/10W J	CRJ10DJ473T
FRONT	R159		nsp	00MNN05472610	CHIP RES.	4.7K OHM 1/10W J	CRJ10DJ472T
FRONT	R160		nsp	00MNN05750610	CHIP RES.	75 OHM 1/10W J	CRJ10DJ750T
FRONT	R161		nsp	00MNN05221610	CHIP RES.	220 OHM 1/10W J	CRJ10DJ221T
FRONT	R162		nsp	00MNN05272610	CHIP RES.	2.7K OHM 1/10W J	CRJ10DJ272T
FRONT	R163		nsp	00MNN05104610	CHIP RES.	100K OHM 1/10W J	CRJ10DJ104T
FRONT	R164		nsp	00MNN05562610	CHIP RES.	5.6K OHM 1/10W J	CRJ10DJ562T
FRONT	R165		nsp	00MNN05750610	CHIP RES.	75 OHM 1/10W J	CRJ10DJ750T
FRONT	R166		nsp	00MNN05750610	CHIP RES.	75 OHM 1/10W J	CRJ10DJ750T
FRONT	R167		nsp	00MNN05473610	CHIP RES.	47K OHM 1/10W J	CRJ10DJ473T
FRONT	R168		nsp	00MNN05331610	CHIP RES.	330 OHM 1/10W J	CRJ10DJ331T
FRONT	R169		nsp	00MNN05103610	CHIP RES.	10K OHM 1/10W J	CRJ10DJ103T
FRONT	R170		nsp	00MNN05832610	CHIP RES.	82K OHM 1/10W J	CRJ10DJ823T
FRONT	R171		nsp	00MNN05221610	CHIP RES.	220 OHM 1/10W J	CRJ10DJ221T
FRONT	R172		nsp	00MNN05101610	CHIP RES.	100 OHM 1/10W J	CRJ10DJ101T
FRONT	R173		nsp	00MNN05152610	CHIP RES.	1.5K OHM 1/10W J	CRJ10DJ152T
FRONT	R174		nsp	00MNN05152610	CHIP RES.	1.5K OHM 1/10W J	CRJ10DJ152T
FRONT	R175		nsp	00MNN05101610	CHIP RES.	100 OHM 1/10W J	CRJ10DJ101T
FRONT	R176		nsp	00MNN05832610	CHIP RES.	82K OHM 1/10W J	CRJ10DJ823T
FRONT	R178		nsp	00MNN05330610	CHIP RES.	33 OHM 1/10W J	CRJ10DJ330T
FRONT	R179		nsp	00MNN05222610	CHIP RES.	2.2K OHM 1/10W J	CRJ10DJ222T
FRONT	R180		nsp	00MNN05102610	CHIP RES.	1K OHM 1/10W J	CRJ10DJ102T
FRONT	R181		nsp	00MNN05472610	CHIP RES.	4.7K OHM 1/10W J	CRJ10DJ472T
FRONT	R182		nsp	00MNN05472610	CHIP RES.	4.7K OHM 1/10W J	CRJ10DJ472T
FRONT	R184		nsp	00MNN05472610	CHIP RES.	4.7K OHM 1/10W J	CRJ10DJ472T
FRONT	R185		nsp	00MNN05222610	CHIP RES.	2.2K OHM 1/10W J	CRJ10DJ222T
FRONT	R186		nsp	00MNN05471610	CHIP RES.	470 OHM 1/10W J	CRJ10DJ471T
FRONT	R187		nsp	00MNN05100610	CHIP RES.	10 OHM 1/10W J	CRJ10DJ100T
FRONT	R188		nsp	00MNN05330610	CHIP RES.	33 OHM 1/10W J	CRJ10DJ330T
FRONT	R189		nsp	00MNN05152610	CHIP RES.	1.5K OHM 1/10W J	CRJ10DJ152T
FRONT	R190		nsp	00MNN05222610	CHIP RES.	2.2K OHM 1/10W J	CRJ10DJ222T
FRONT	R191		nsp	00MNN05104610	CHIP RES.	100K OHM 1/10W J	CRJ10DJ104T
FRONT	R192		nsp	00MNN05104610	CHIP RES.	100K OHM 1/10W J	CRJ10DJ104T
FRONT	RC10		90M-HW100650R	90M-HW100650R	PHOTO UNIT	RPM6936-H4	HRVRPM6936H4
FRONT	SW10		90M-SP001210R	90M-SP001210R	SW	SKHV10910G TACT	CST1A012ZT
FRONT	SW11		90M-SP001210R	90M-SP001210R	SW	SKHV10910G TACT	CST1A012ZT
FRONT	SW12		90M-SP001210R	90M-SP001210R	SW	SKHV10910G TACT	CST1A012ZT
FRONT	SW13		90M-SP001210R	90M-SP001210R	SW	SKHV10910G TACT	CST1A012ZT
FRONT	SW14		90M-SP001210R	90M-SP001210R	SW	SKHV10910G TACT	CST1A012ZT
FRONT	SW15		90M-SP001210R	90M-SP001210R	SW	SKHV10910G TACT	CST1A012ZT
FRONT	SW16		90M-SP001210R	90M-SP001210R	SW	SKHV10910G TACT	CST1A012ZT
FRONT	SW17		90M-SP001210R	90M-SP001210R	SW	SKHV10910G TACT	CST1A012ZT
FRONT	SW18		90M-SP001210R	90M-SP001210R	SW	SKHV10910G TACT	CST1A012ZT
FRONT	SW19		90M-SP001210R	90M-SP001210R	SW	SKHV10910G TACT	CST1A012ZT
FRONT	SW20		90M-SP001210R	90M-SP001210R	SW	SKHV10910G TACT	CST1A012ZT
FRONT	SW21		90M-SP001210R	90M-SP001210R	SW	SKHV10910G TACT	CST1A012ZT
FRONT	SW22		90M-SP001210R	90M-SP001210R	SW	SKHV10910G TACT	CST1A012ZT
FRONT	SW23		90M-SP001210R	90M-SP001210R	SW	SKHV10910G TACT	CST1A012ZT
FRONT	SW24		90M-SP001210R	90M-SP001210R	SW	SKHV10910G TACT	CST1A012ZT
SW	△SW25	N1B	90M-SP001250R	90M-SP001250R	SW	!JPP1197CSA64	KSH1A001ZV
SW	△SW25	/N1SG	90M-SP001250R	90M-SP001250R	SW	!JPP1197CSA64	KSH1A001ZV

P.W.B. NAME	POS. NO.	VERS. COLOR	PART NO. (FOR EUR)	PART NO. (MZ)	PART NAME	DESCRIPTION
SW	△SW25	/K1SG	nsp	90M-SP001250R	SW	!JPP1197CSA64 KSH1A001ZV
FRONT	SW26	U1B	nsp	90M-SP001210R	SW	SKHV10910G TACT CST1A012ZT
FRONT	SW26	/FB	nsp	90M-SP001210R	SW	SKHV10910G TACT CST1A012ZT
MAIN PWB ASS'Y (COP12206)						
MAIN	BN20		nsp	nsp	CORD	WIRE ASSY CWB3FB03280UP
MAIN	BN22		nsp	nsp	CORD	WIRE ASSY CWZSR4001BN22
MAIN	BN53		nsp	nsp	CORD	6P WIRE ASSY 180MM CWB1C006180NN
MAIN	BN87		nsp	nsp	CORD	WIRE ASSY CWZSR4001BN87
MAIN	BN88	N1B	nsp	nsp	CORD	WIRE ASSY CWB4F232550PU
MAIN	BN88	/N1SG	nsp	nsp	CORD	WIRE ASSY CWB4F232550PU
MAIN	BN88	/K1SG	nsp	nsp	CORD	WIRE ASSY CWB4F232550PU
MAIN	C600		nsp	nsp	FILM CAP.	0.047UF 100V J MYLAR HCQ1H473JZT
MAIN	C601		nsp	nsp	FILM CAP.	0.047UF 100V J MYLAR HCQ1H473JZT
MAIN	C602		nsp	nsp	CER. CAP.	0.1UF 50V Z CERAMIC CCBS1H104ZFT
MAIN	C603		nsp	nsp	CER. CAP.	0.1UF 50V Z CERAMIC CCBS1H104ZFT
MAIN	C604		nsp	nsp	FILM CAP.	5600PF 100V J MYLAR HCQ1H562JZT
MAIN	C605		nsp	nsp	FILM CAP.	0.047UF 100V J MYLAR HCQ1H473JZT
MAIN	C606		nsp	nsp	FILM CAP.	0.047UF 100V J MYLAR HCQ1H473JZT
MAIN	C607		nsp	nsp	FILM CAP.	0.047UF 100V J MYLAR HCQ1H473JZT
MAIN	C608		nsp	nsp	FILM CAP.	5600PF 100V J MYLAR HCQ1H562JZT
MAIN	C609		nsp	nsp	FILM CAP.	0.047UF 100V J MYLAR HCQ1H473JZT
MAIN	C610		nsp	nsp	FILM CAP.	5600PF 100V J MYLAR HCQ1H562JZT
MAIN	C611		nsp	nsp	FILM CAP.	5600PF 100V J MYLAR HCQ1H562JZT
MAIN	C612		nsp	nsp	FILM CAP.	0.047UF 100V J MYLAR HCQ1H473JZT
MAIN	C613		nsp	nsp	FILM CAP.	5600PF 100V J MYLAR HCQ1H562JZT
MAIN	C614		nsp	nsp	FILM CAP.	0.047UF 100V J MYLAR HCQ1H473JZT
MAIN	C615		nsp	nsp	FILM CAP.	5600PF 100V J MYLAR HCQ1H562JZT
MAIN	C616		nsp	nsp	FILM CAP.	0.047UF 100V J MYLAR HCQ1H473JZT
MAIN	C617		nsp	nsp	CER. CAP.	220PF 50V KB CCT1H221KB
MAIN	C618		nsp	nsp	CER. CAP.	220PF 50V KB CCT1H221KB
MAIN	C619		nsp	nsp	CER. CAP.	220PF 50V KB CCT1H221KB
MAIN	C620		nsp	nsp	CER. CAP.	220PF 50V KB CCT1H221KB
MAIN	C621		nsp	nsp	CER. CAP.	220PF 50V KB CCT1H221KB
MAIN	C622		nsp	nsp	CER. CAP.	220PF 50V KB CCT1H221KB
MAIN	C623		nsp	nsp	CER. CAP.	220PF 50V KB CCT1H221KB
MAIN	C624		nsp	nsp	CER. CAP.	220PF 50V KB CCT1H221KB
MAIN	C625		nsp	nsp	FILM CAP.	5600PF 100V J MYLAR HCQ1H562JZT
MAIN	C626		nsp	nsp	FILM CAP.	5600PF 100V J MYLAR HCQ1H562JZT
MAIN	C627		nsp	nsp	FILM CAP.	5600PF 100V J MYLAR HCQ1H562JZT
MAIN	C628		nsp	nsp	FILM CAP.	0.047UF 100V J MYLAR HCQ1H473JZT
MAIN	C629		nsp	nsp	FILM CAP.	0.047UF 100V J MYLAR HCQ1H473JZT
MAIN	C630		nsp	nsp	FILM CAP.	0.047UF 100V J MYLAR HCQ1H473JZT
MAIN	C631		00MOA10705020	00MOA10705020	ELECT CAP.	100UF 50V CCEA1HH101T
MAIN	△C632		90M-DK100770R	90M-DK100770R	CER. CAP.	! 0.0047UF 2.5KV CERAMIC KCKDKS472ME
MAIN	C633		nsp	nsp	CER. CAP.	0.01UF 50V Z CCBS1H103ZFT
MAIN	C634		nsp	nsp	CER. CAP.	0.01UF 50V Z CCBS1H103ZFT
MAIN	C635		nsp	nsp	CER. CAP.	1000PF 50V B CERAMIC CCBS1H102KBT
MAIN	C636		943134004460S	943134004460S	ELECT CAP.	LAO-63V103MS56P CCET63VLAO103NZ
MAIN	C637		943134004460S	943134004460S	ELECT CAP.	LAO-63V103MS56P CCET63VLAO103NZ
MAIN	C638		nsp	nsp	CER. CAP.	0.1UF 50V Z CERAMIC CCBS1H104ZFT
MAIN	C639		nsp	nsp	CER. CAP.	1000PF 50V B CERAMIC CCBS1H102KBT
MAIN	C640		nsp	nsp	CER. CAP.	0.022UF 50V Z CCFT1H223ZF
MAIN	C641		nsp	nsp	CER. CAP.	0.022UF 50V Z CCFT1H223ZF
MAIN	C642		00MOA47605020	00MOA47605020	ELECT CAP.	47UF 50V CCEA1HH470T
MAIN	C643		00MOA47701620	00MOA47701620	ELECT CAP.	470UF 16V ZF CCEA1CH471T

P.W.B. NAME	POS. NO.	VERS. COLOR	PART NO. (FOR EUR)	PART NO. (MZ)	PART NAME	DESCRIPTION
MAIN	C644		nsp	nsp	CER. CAP.	1000PF 50V B CERAMIC CCBS1H102KBT
MAIN	C645		nsp	nsp	CER. CAP.	1000PF 50V B CERAMIC CCBS1H102KBT
MAIN	C646		00MOA47605020	00MOA47605020	ELECT CAP.	47UF 50V CCEA1HH470T
MAIN	C647		nsp	nsp	CER. CAP.	1000PF 50V B CERAMIC CCBS1H102KBT
MAIN	C648		00MOA47505020	00MOA47505020	ELECT CAP.	4.7UF 50V CCEA1HH4R7T
MAIN	C649		nsp	nsp	FILM CAP.	0.01UF 100V J MYLAR HCQI1H103JZT
MAIN	C650		90M-EA000930R	90M-EA000930R	ELECT CAP.	3300UF 16V CCEA1CH332E
MAIN	C651		nsp	nsp	CER. CAP.	0.1UF 50V Z CERAMIC CCBS1H104ZFT
MAIN	C652		00MOA22505020	00MOA22505020	ELECT CAP.	2.2UF 50V CCEA1HH2R2T
MAIN	C653		00MOA10605020	00MOA10605020	ELECT CAP.	10UF 50V CCEA1HH100T
MAIN	C654		nsp	nsp	CER. CAP.	1000PF 50V B CERAMIC CCBS1H102KBT
MAIN	C655		00MOA10702520	00MOA10702520	ELECT CAP.	100UF 25V CCEA1EH101T
MAIN	C656		nsp	nsp	CER. CAP.	0.1UF 50V Z CERAMIC CCBS1H104ZFT
MAIN	C657		nsp	nsp	CER. CAP.	0.043UF 50V Z CCFT1H473ZF
MAIN	C658		00MOA10701620	00MOA10701620	ELECT CAP.	100UF 16V CCEA1CH101T
MAIN	C659		nsp	nsp	CER. CAP.	0.022UF 50V Z CERAMIC CCBS1H223ZFT
MAIN	C660		nsp	nsp	CER. CAP.	330PF 50V KB CCKT1H331KB
MAIN	C661		00MOA10605020	00MOA10605020	ELECT CAP.	330PF 50V KB CCEA1HH100T
MAIN	C662		nsp	nsp	CER. CAP.	330PF 50V KB CCKT1H331KB
MAIN	C663		00MOA10605020	00MOA10605020	ELECT CAP.	10UF 50V CCEA1HH100T
MAIN	C664		nsp	nsp	CER. CAP.	330PF 50V KB CCKT1H331KB
MAIN	C665		nsp	nsp	CER. CAP.	330PF 50V KB CCKT1H331KB
MAIN	C666		nsp	nsp	CER. CAP.	330PF 50V KB CCKT1H331KB
MAIN	C667		nsp	nsp	CER. CAP.	330PF 50V KB CCKT1H331KB
MAIN	C668		nsp	nsp	CER. CAP.	330PF 50V KB CCKT1H331KB
MAIN	C669		00MOA47602520	00MOA47602520	ELECT CAP.	47UF 25V CCEA1EH470T
MAIN	C670		nsp	nsp	CER. CAP.	100PF 50V KB CCKT1H101KB
MAIN	C671		00MOA47602520	00MOA47602520	ELECT CAP.	47UF 25V CCEA1EH470T
MAIN	C672		00MOA47602520	00MOA47602520	ELECT CAP.	47UF 25V CCEA1EH470T
MAIN	C673		00MOA10605020	00MOA10605020	ELECT CAP.	10UF 50V CCEA1HH100T
MAIN	C674		00MOA47602520	00MOA47602520	ELECT CAP.	47UF 25V CCEA1EH470T
MAIN	C675		00MOA10605020	00MOA10605020	ELECT CAP.	10UF 50V CCEA1HH100T
MAIN	C676		00MOA47602520	00MOA47602520	ELECT CAP.	47UF 25V CCEA1EH470T
MAIN	C677		00MOA10605020	00MOA10605020	ELECT CAP.	10UF 50V CCEA1HH100T
MAIN	C678		00MOA47602520	00MOA47602520	ELECT CAP.	47UF 25V CCEA1EH470T
MAIN	C679		00MOA10605020	00MOA10605020	ELECT CAP.	10UF 50V CCEA1HH100T
MAIN	C680		00MOA47602520	00MOA47602520	ELECT CAP.	47UF 25V CCEA1EH470T
MAIN	C681		00MOA10605020	00MOA10605020	ELECT CAP.	10UF 50V CCEA1HH100T
MAIN	C682		nsp	nsp	CER. CAP.	100PF 50V KB CCKT1H101KB
MAIN	C683		nsp	nsp	CER. CAP.	100PF 50V KB CCKT1H101KB
MAIN	C684		nsp	nsp	CER. CAP.	100PF 50V KB CCKT1H101KB
MAIN	C685		nsp	nsp	CER. CAP.	100PF 50V KB CCKT1H101KB
MAIN	C686		nsp	nsp	CER. CAP.	100PF 50V KB CCKT1H101KB
MAIN	C687		nsp	nsp	CER. CAP.	100PF 50V KB CCKT1H101KB
MAIN	C688		00MOA10701620	00MOA10701620	ELECT CAP.	100UF 16V CCEA1CH101T
MAIN	C689		00MOA10701620	00MOA10701620	ELECT CAP.	100UF 16V CCEA1CH101T
MAIN	C690		00MOA10701620	00MOA10701620	ELECT CAP.	100UF 16V CCEA1CH101T
MAIN	C691		00MOA10701620	00MOA10701620	ELECT CAP.	100UF 16V CCEA1CH101T
MAIN	C692		00MOA10701620	00MOA10701620	ELECT CAP.	100UF 16V CCEA1CH101T
MAIN	C693		00MOA10701620	00MOA10701620	ELECT CAP.	100UF 16V CCEA1CH101T
MAIN	C694		00MOA10701620	00MOA10701620	ELECT CAP.	100UF 16V CCEA1CH101T
MAIN	C695		nsp	nsp	CER. CAP.	33PF 50V JC CCCT1H330JC
MAIN	C696		nsp	nsp	CER. CAP.	12PF 50V JC CCCT1H120JC
MAIN	C697		nsp	nsp	CER. CAP.	33PF 50V JC CCCT1H330JC
MAIN	C698		nsp	nsp	CER. CAP.	12PF 50V JC CCCT1H120JC

P.W.B. NAME	POS. NO.	VERS. COLOR	PART NO. (FOR EUR)	PART NO. (MZ)	PART NAME	DESCRIPTION
MAIN	C699		nsp	nsp	CER. CAP.	33PF 50V JC CCCT1H330JC
MAIN	C700		nsp	nsp	CER. CAP.	12PF 50V JC CCCT1H120JC
MAIN	C701		nsp	nsp	CER. CAP.	33PF 50V JC CCCT1H330JC
MAIN	C702		nsp	nsp	CER. CAP.	12PF 50V JC CCCT1H120JC
MAIN	C703		nsp	nsp	CER. CAP.	33PF 50V JC CCCT1H330JC
MAIN	C704		nsp	nsp	CER. CAP.	12PF 50V JC CCCT1H120JC
MAIN	C705		nsp	nsp	CER. CAP.	33PF 50V JC CCCT1H330JC
MAIN	C706		nsp	nsp	CER. CAP.	12PF 50V JC CCCT1H120JC
MAIN	C707		nsp	nsp	CER. CAP.	33PF 50V JC CCCT1H330JC
MAIN	C708		nsp	nsp	CER. CAP.	12PF 50V JC CCCT1H120JC
MAIN	C709		00MOA10706320	00MOA10706320	ELECT CAP.	100UF 63V CCEA1JH101E
MAIN	C710		00MOA10706320	00MOA10706320	ELECT CAP.	100UF 63V CCEA1JH101E
MAIN	C711		00MOA10706320	00MOA10706320	ELECT CAP.	100UF 63V CCEA1JH101E
MAIN	C712		00MOA10706320	00MOA10706320	ELECT CAP.	100UF 63V CCEA1JH101E
MAIN	C713		00MOA10706320	00MOA10706320	ELECT CAP.	100UF 63V CCEA1JH101E
MAIN	C714		00MOA10706320	00MOA10706320	ELECT CAP.	100UF 63V CCEA1JH101E
MAIN	C715		00MOA10706320	00MOA10706320	ELECT CAP.	100UF 63V CCEA1JH101E
MAIN	C716		00MOA10706320	00MOA10706320	ELECT CAP.	100UF 63V CCEA1JH101E
MAIN	C717		00MOA10706320	00MOA10706320	ELECT CAP.	100UF 63V CCEA1JH101E
MAIN	C718		00MOA10706320	00MOA10706320	ELECT CAP.	100UF 63V CCEA1JH101E
MAIN	C719		00MOA10706320	00MOA10706320	ELECT CAP.	100UF 63V CCEA1JH101E
MAIN	C720		00MOA10706320	00MOA10706320	ELECT CAP.	100UF 63V CCEA1JH101E
MAIN	C721		00MOA10706320	00MOA10706320	ELECT CAP.	100UF 63V CCEA1JH101E
MAIN	C722		00MOA10706320	00MOA10706320	ELECT CAP.	100UF 63V CCEA1JH101E
MAIN	C723		00MOA10605020	00MOA10605020	ELECT CAP.	10UF 50V CCEA1HH100T
MAIN	C725		00MOA10605020	00MOA10605020	ELECT CAP.	10UF 50V CCEA1HH100T
MAIN	C726		00MOA10605020	00MOA10605020	ELECT CAP.	10UF 50V CCEA1HH100T
MAIN	C728		00MOA10605020	00MOA10605020	ELECT CAP.	10UF 50V CCEA1HH100T
MAIN	C729		00MOA10605020	00MOA10605020	ELECT CAP.	10UF 50V CCEA1HH100T
MAIN	C731		00MOA10605020	00MOA10605020	ELECT CAP.	10UF 50V CCEA1HH100T
MAIN	C734		00MOA10605020	00MOA10605020	ELECT CAP.	10UF 50V CCEA1HH100T
MAIN	CN64		nsp	nsp	CONN.	2P WAFER CJP02GA89ZY
MAIN	CN66		nsp	nsp	CONN.	22P PIN HEADER CJP22GB142ZB
MAIN	CN67		nsp	nsp	CONN.	6P FEMALE HEADER 2.54MM CJP06GA221ZB
MAIN	CN68		nsp	nsp	CONN.	15P 12511HS-15 FFC CJP15GA115ZY
MAIN	CN69		nsp	nsp	CONN.	6P STRAIGHT CJP05GI236ZW
MAIN	CN70		nsp	nsp	CONN.	2P STRAIGHT YMW025-02R CJP02GA01ZY
MAIN	CN71		nsp	nsp	CONN.	2P STRAIGHT YMW025-02R CJP02GA01ZY
MAIN	CN72		nsp	nsp	CONN.	2P STRAIGHT YMW025-02R CJP02GA01ZY
MAIN	CN73		nsp	nsp	CONN.	2P STRAIGHT YMW025-02R CJP02GA01ZY
MAIN	CN74		nsp	nsp	CONN.	2P STRAIGHT YMW025-02R CJP02GA01ZY
MAIN	CN75		nsp	nsp	CONN.	2P STRAIGHT YMW025-02R CJP02GA01ZY
MAIN	CN76		nsp	nsp	CONN.	2P STRAIGHT YMW025-02R CJP02GA01ZY
MAIN	CN91		nsp	nsp	CONN.	2P 7.92MM(YUNHO) CJP02KA060ZY
MAIN	D600		00MHD20015210	00MHD20015210	DIODE	1SS133T-77 CVD1SS133MT
MAIN	D601		00MHD20015210	00MHD20015210	DIODE	1SS133T-77 CVD1SS133MT
MAIN	D602		00MHD20015210	00MHD20015210	DIODE	1SS133T-77 CVD1SS133MT
MAIN	D603		00MHD20015210	00MHD20015210	DIODE	1SS133T-77 CVD1SS133MT
MAIN	D604		00MHD20015210	00MHD20015210	DIODE	1SS133T-77 CVD1SS133MT
MAIN	D605		00MHD20015210	00MHD20015210	DIODE	1SS133T-77 CVD1SS133MT
MAIN	D606		90M-HD201730R	90M-HD201730R	DIODE	1N4003 CVD1N4003ST
MAIN	D607		90M-HD201730R	90M-HD201730R	DIODE	1N4003 CVD1N4003ST
MAIN	D608		90M-HD201730R	90M-HD201730R	DIODE	1N4003 CVD1N4003ST
MAIN	D609		90M-HD201730R	90M-HD201730R	DIODE	1N4003 CVD1N4003ST
MAIN	D610		90M-HD201730R	90M-HD201730R	DIODE	1N4003 CVD1N4003ST

P.W.B. NAME	POS. NO.	VERS. COLOR	PART NO. (FOR EUR)	PART NO. (MZ)	PART NAME	DESCRIPTION
MAIN	D611		90M-HD201730R	90M-HD201730R	DIODE	1N4003 CVD1N4003ST
MAIN	D612		90M-HD302410R	90M-HD302410R	ZENER DIODE	ZJ8.2B 1/2W CVDZJ8.2BT
MAIN	D613	U1B	nsp	943202008160S	ZENER DIODE	ZJ12B 1/2W CVDZJ12BT
MAIN	D613	/FB	nsp	943202008160S	ZENER DIODE	ZJ12B 1/2W CVDZJ12BT
MAIN	D614		90M-HD201750R	90M-HD201750R	DIODE	1N4003 CVD1N4003SRT
MAIN	D615		90M-HD201850R	90M-HD201850R	DIODE	1N5819 HVD1N5819T
MAIN	D616		00MHD20015210	00MHD20015210	DIODE	1SS133T-77 CVD1SS133MT
MAIN	D617		00MHD20015210	00MHD20015210	DIODE	1SS133T-77 CVD1SS133MT
MAIN	D618		90M-HD201750R	90M-HD201750R	DIODE	1N4003 CVD1N4003SRT
MAIN	D619		00MHD20015210	00MHD20015210	DIODE	1SS133T-77 CVD1SS133MT
MAIN	D620		00MHD20015210	00MHD20015210	DIODE	1SS133T-77 CVD1SS133MT
MAIN	D621		90M-HD201750R	90M-HD201750R	DIODE	1N4003 CVD1N4003SRT
MAIN	D622		90M-HD201750R	90M-HD201750R	DIODE	1N4003 CVD1N4003SRT
MAIN	D623		90M-HD201750R	90M-HD201750R	DIODE	1N4003 CVD1N4003SRT
MAIN	D624		00MHD20015210	00MHD20015210	DIODE	1SS133T-77 CVD1SS133MT
MAIN	D625		00MHD20015210	00MHD20015210	DIODE	1SS133T-77 CVD1SS133MT
MAIN	D630		00MHD20015210	00MHD20015210	DIODE	1SS133T-77 CVD1SS133MT
MAIN	D631		00MHD20015210	00MHD20015210	DIODE	1SS133T-77 CVD1SS133MT
MAIN	D632		00MHD20015210	00MHD20015210	DIODE	1SS133T-77 CVD1SS133MT
MAIN	D633		00MHD20015210	00MHD20015210	DIODE	1SS133T-77 CVD1SS133MT
MAIN	D634		00MHD20015210	00MHD20015210	DIODE	1SS133T-77 CVD1SS133MT
MAIN	D635		00MHD20015210	00MHD20015210	DIODE	1SS133T-77 CVD1SS133MT
MAIN	D636		00MHD20015210	00MHD20015210	DIODE	1SS133T-77 CVD1SS133MT
MAIN	D637		00MHD20015210	00MHD20015210	DIODE	1SS133T-77 CVD1SS133MT
MAIN	D638		00MHD20015210	00MHD20015210	DIODE	1SS133T-77 CVD1SS133MT
MAIN	D639		00MHD20015210	00MHD20015210	DIODE	1SS133T-77 CVD1SS133MT
MAIN	D640		00MHD20015210	00MHD20015210	DIODE	1SS133T-77 CVD1SS133MT
MAIN	D641		00MHD20015210	00MHD20015210	DIODE	1SS133T-77 CVD1SS133MT
MAIN	D642		00MHD20015210	00MHD20015210	DIODE	1SS133T-77 CVD1SS133MT
MAIN	D643		00MHD20015210	00MHD20015210	DIODE	1SS133T-77 CVD1SS133MT
MAIN	D644		00MHD20015210	00MHD20015210	DIODE	1SS133T-77 CVD1SS133MT
MAIN	D645		00MHD20015210	00MHD20015210	DIODE	1SS133T-77 CVD1SS133MT
MAIN	D646		00MHD20015210	00MHD20015210	DIODE	1SS133T-77 CVD1SS133MT
MAIN	D647		00MHD20015210	00MHD20015210	DIODE	1SS133T-77 CVD1SS133MT
MAIN	D648		00MHD20015210	00MHD20015210	DIODE	1SS133T-77 CVD1SS133MT
MAIN	D649		00MHD20015210	00MHD20015210	DIODE	1SS133T-77 CVD1SS133MT
MAIN	D650		00MHD20015210	00MHD20015210	DIODE	1SS133T-77 CVD1SS133MT
MAIN	D651		00MHD20015210	00MHD20015210	DIODE	1SS133T-77 CVD1SS133MT
MAIN	D652		00MHD20015210	00MHD20015210	DIODE	1SS133T-77 CVD1SS133MT
MAIN	D653		00MHD20015210	00MHD20015210	DIODE	1SS133T-77 CVD1SS133MT
MAIN	D654		00MHD20015210	00MHD20015210	DIODE	1SS133T-77 CVD1SS133MT
MAIN	D655		00MHD20015210	00MHD20015210	DIODE	1SS133T-77 CVD1SS133MT
MAIN	D656		00MHD20015210	00MHD20015210	DIODE	1SS133T-77 CVD1SS133MT
MAIN	D657		00MHD20015210	00MHD20015210	DIODE	1SS133T-77 CVD1SS133MT
MAIN	D658		00MHD20015210	00MHD20015210	DIODE	1SS133T-77 CVD1SS133MT
MAIN	D659		00MHD20015210	00MHD20015210	DIODE	1SS133T-77 CVD1SS133MT
MAIN	D660		00MHD20015210	00MHD20015210	DIODE	1SS133T-77 CVD1SS133MT
MAIN	D661		00MHD20015210	00MHD20015210	DIODE	1SS133T-77 CVD1SS133MT
MAIN	ET60		nsp	nsp	TERMINAL	EARTH PLATE MET37-0002 HJT1A025
MAIN	ET61		nsp	nsp	TERMINAL	EARTH PLATE MET37-0002 HJT1A025
MAIN	△F600	U1B	nsp	90M-FS001070R	FUSE	! AC250V T2.5AL KBA2D2500TLET
MAIN	△F600	/FB	nsp	90M-FS001070R	FUSE	! AC250V T2.5AL KBA2D2500TLET
MAIN	△F601	U1B	nsp	90M-FS001070R	FUSE	! AC250V T2.5AL KBA2D2500TLET
MAIN	△F601	/FB	nsp	90M-FS001070R	FUSE	! AC250V T2.5AL KBA2D2500TLET
MAIN	△F601	/N1B	nsp	90M-FS001070R	FUSE	! AC250V T2.5AL KBA2D2500TLET

P.W.B. NAME	POS. NO.	VERS. COLOR	PART NO. (FOR EUR)	PART NO. (MZ)	PART NAME	DESCRIPTION
MAIN	△F601	/N1SG	nsp	90M-FS001070R	FUSE	! AC250V T2.5AL KBA2D2500TLET
MAIN	F602		nsp	nsp	CONN.	HOLDER FUSE KJCF5S
MAIN	△F602	N1B	90M-FS001090R	90M-FS001090R	FUSE	! 5A/250V(EUR) T5AL KBA2C5000TLEY
MAIN	△F602	/N1SG	90M-FS001090R	90M-FS001090R	FUSE	! 5A/250V(EUR) T5AL KBA2C5000TLEY
MAIN	△F602	/K1SG	nsp	90M-FS001090R	FUSE	! 5A/250V(EUR) T5AL KBA2C5000TLEY
MAIN	△F602	U1B	nsp	90M-FS001080R	FUSE	! 10A/250V KBA2C1002TLEY
MAIN	△F602	/FB	nsp	90M-FS001080R	FUSE	! 10A/250V KBA2C1002TLEY
MAIN	△F603		943652000620S	943652000620S	FUSE	! FUSE(0.1A 372 SERIES/TR5) CBA2D0100A3EYT
MAIN	IC60		90M-HC108410R	90M-HC108410R	IC	S-80842CNY-X HVIS-80842CNY-X
MAIN	IC61		00MHC3650509F	00MHC3650509F	IC	NJU7223F50 CVINJU7223F50
MAIN	JK60		90M-YT005000R	90M-YT005000R	TERMINAL	CINCH 8P C/SUB/SBL/SBR CJJ4P059Z
MAIN	JK61		90M-YT004050R	90M-YT004050R	TERMINAL	RCA-401DA-16 CJJ4P052Z
MAIN	JK62		90M-YT003530R	90M-YT003530R	TERMINAL	6P SPEAKER CNT SL SR CJJ5R006Z
MAIN	JK63		90M-YT004400R	90M-YT004400R	TERMINAL	DCS2003 CJJ5P021Z
MAIN	JK64		90M-YT003520R	90M-YT003520R	TERMINAL	4P SPEAKER TERMINAL FL FR CJJ5P020Z
MAIN	JK65		90M-YT003520R	90M-YT003520R	TERMINAL	4P SPEAKER TERMINAL FL FR CJJ5P020Z
MAIN	JW61		nsp	nsp	CORD	WIRE ASSY CWE8202180VV
MAIN	JW62		nsp	nsp	CORD	WIRE ASSY CWE8202180VV
MAIN	JW89		nsp	nsp	CORD	WIRE ASSY CWE8102100VV
MAIN	JW92		nsp	nsp	CORD	WIRE ASSY CWEE212080VV
MAIN	L600		90M-LC107310R	90M-LC107310R	COIL	0.5UH K CLEY0R5KAK
MAIN	L601		90M-LC107310R	90M-LC107310R	COIL	0.5UH K CLEY0R5KAK
MAIN	L602		90M-LC107310R	90M-LC107310R	COIL	0.5UH K CLEY0R5KAK
MAIN	L603		90M-LC107310R	90M-LC107310R	COIL	0.5UH K CLEY0R5KAK
MAIN	L604		90M-LC107310R	90M-LC107310R	COIL	0.5UH K CLEY0R5KAK
MAIN	L605		90M-LC107310R	90M-LC107310R	COIL	0.5UH K CLEY0R5KAK
MAIN	L606		90M-LC107310R	90M-LC107310R	COIL	0.5UH K CLEY0R5KAK
MAIN	△OL60	N1B	90M-YT002430R	90M-YT002430R	TERMINAL	! OUTLET A302D0061P (EUR/1P) KJJ7A022Z
MAIN	△OL60	/N1SG	90M-YT002430R	90M-YT002430R	TERMINAL	! OUTLET A302D0061P (EUR/1P) KJJ7A022Z
MAIN	△OL60	U1B	nsp	943641008210S	TERMINAL	! OUTLET A204D0041P (UL/2P/SEP) CJJ7A015Z
MAIN	△OL60	/FB	nsp	943641008210S	TERMINAL	! OUTLET A204D0041P (UL/2P/SEP) CJJ7A015Z
MAIN	Q600		00MHT600111B0	00MHT600111B0	TRS.	KTA1267Y HVTKTA1267YT
MAIN	Q601		90M-HT800050R	90M-HT800050R	TRS.	KTC3198Y HVTKTC3198YT
MAIN	Q602		90M-HT800050R	90M-HT800050R	TRS.	KTC3198Y HVTKTC3198YT
MAIN	Q603		90M-HT800050R	90M-HT800050R	TRS.	KTC3198Y HVTKTC3198YT
MAIN	Q604		90M-HT800050R	90M-HT800050R	TRS.	KTC3198Y HVTKTC3198YT
MAIN	Q605		00MHT600111B0	00MHT600111B0	TRS.	KTA1267Y HVTKTA1267YT
MAIN	Q606		00MHT600111B0	00MHT600111B0	TRS.	KTA1267Y HVTKTA1267YT
MAIN	Q607		90M-BA001460R	90M-BA001460R	TRS.	KRC107M HVTKRC107MT
MAIN	Q608		90M-BA001450R	90M-BA001450R	TRS.	KRA107M HVTKRA107MT
MAIN	Q609		00MHT600111B0	00MHT600111B0	TRS.	KTA1267Y HVTKTA1267YT
MAIN	Q610		943216000930S	943216000930S	TRS.	KTD2854 CVTKTD2854
MAIN	Q611		90M-BA001460R	90M-BA001460R	TRS.	KRC107M HVTKRC107MT
MAIN	Q612		00MHT600111B0	00MHT600111B0	TRS.	KTA1267Y HVTKTA1267YT
MAIN	Q613	U1B	nsp	90M-BA001530R	TRS.	KTC114M HVTKRC114MT
MAIN	Q613	/FB	nsp	90M-BA001530R	TRS.	KTC114M HVTKRC114MT
MAIN	Q614		90M-BA001450R	90M-BA001450R	TRS.	KRA107M HVTKRA107MT
MAIN	Q615		90M-HT800050R	90M-HT800050R	TRS.	KTC3198Y HVTKTC3198YT
MAIN	Q616		00MHT600111B0	00MHT600111B0	TRS.	KTA1267Y HVTKTA1267YT
MAIN	Q617		90M-BA001460R	90M-BA001460R	TRS.	KRC107M HVTKRC107MT
MAIN	Q618		90M-HT800050R	90M-HT800050R	TRS.	KTC3198Y HVTKTC3198YT
MAIN	Q619		90M-HT800050R	90M-HT800050R	TRS.	KTC3198Y HVTKTC3198YT
MAIN	Q620		90M-HT800050R	90M-HT800050R	TRS.	KTC3198Y HVTKTC3198YT
MAIN	Q621		90M-BA001460R	90M-BA001460R	TRS.	KRC107M HVTKRC107MT
MAIN	Q622		90M-HT800050R	90M-HT800050R	TRS.	KTC3198Y HVTKTC3198YT

P.W.B. NAME	POS. NO.	VERS. COLOR	PART NO. (FOR EUR)	PART NO. (MZ)	PART NAME	DESCRIPTION
MAIN	Q623		00MHT600111B0	00MHT600111B0	TRS.	KTA1267Y HVTKTA1267YT
MAIN	Q624		90M-HT800050R	90M-HT800050R	TRS.	KTC3198Y HVTKTC3198YT
MAIN	Q625		90M-BA001530R	90M-BA001530R	TRS.	KTC114M HVTKRC114MT
MAIN	Q626		00MHT600121A0	00MHT600121A0	TRS.	KTA1268GR HVTKTA1268GRT
MAIN	Q627		90M-HT600030R	90M-HT600030R	TRS.	KTA1024Y HVTKTA1024YT
MAIN	Q628		90M-BA001460R	90M-BA001460R	TRS.	KRC107M HVTKRC107MT
MAIN	Q629		00MHT800931A0	00MHT800931A0	TRS.	KTC3200GR-AT/P CVTKTC3200-GR-AT/PMT
MAIN	Q630		00MHT800931A0	00MHT800931A0	TRS.	KTC3200GR-AT/P CVTKTC3200-GR-AT/PMT
MAIN	Q631		00MHT800931A0	00MHT800931A0	TRS.	KTC3200GR-AT/P CVTKTC3200-GR-AT/PMT
MAIN	Q632		00MHT800931A0	00MHT800931A0	TRS.	KTC3200GR-AT/P CVTKTC3200-GR-AT/PMT
MAIN	Q633		00MHT800931A0	00MHT800931A0	TRS.	KTC3200GR-AT/P CVTKTC3200-GR-AT/PMT
MAIN	Q634		00MHT800931A0	00MHT800931A0	TRS.	KTC3200GR-AT/P CVTKTC3200-GR-AT/PMT
MAIN	Q635		00MHT800931A0	00MHT800931A0	TRS.	KTC3200GR-AT/P CVTKTC3200-GR-AT/PMT
MAIN	Q636		00MHT800931A0	00MHT800931A0	TRS.	KTC3200GR-AT/P CVTKTC3200-GR-AT/PMT
MAIN	Q637		00MHT800931A0	00MHT800931A0	TRS.	KTC3200GR-AT/P CVTKTC3200-GR-AT/PMT
MAIN	Q638		00MHT800931A0	00MHT800931A0	TRS.	KTC3200GR-AT/P CVTKTC3200-GR-AT/PMT
MAIN	Q639		00MHT800931A0	00MHT800931A0	TRS.	KTC3200GR-AT/P CVTKTC3200-GR-AT/PMT
MAIN	Q640		00MHT800931A0	00MHT800931A0	TRS.	KTC3200GR-AT/P CVTKTC3200-GR-AT/PMT
MAIN	Q641		00MHT800931A0	00MHT800931A0	TRS.	KTC3200GR-AT/P CVTKTC3200-GR-AT/PMT
MAIN	Q642		90M-HT800050R	90M-HT800050R	TRS.	KTC3198Y HVTKTC3198YT
MAIN	Q643		00MHT800931A0	00MHT800931A0	TRS.	KTC3200GR-AT/P CVTKTC3200-GR-AT/PMT
MAIN	Q644		00MHT800931A0	00MHT800931A0	TRS.	KTC3200GR-AT/P CVTKTC3200-GR-AT/PMT
MAIN	Q645		90M-HT800050R	90M-HT800050R	TRS.	KTC3198Y HVTKTC3198YT
MAIN	Q646		00MHT800931A0	00MHT800931A0	TRS.	KTC3200GR-AT/P CVTKTC3200-GR-AT/PMT
MAIN	Q647		90M-HT800050R	90M-HT800050R	TRS.	KTC3198Y HVTKTC3198YT
MAIN	Q648		00MHT800931A0	00MHT800931A0	TRS.	KTC3200GR-AT/P CVTKTC3200-GR-AT/PMT
MAIN	Q649		90M-HT800050R	90M-HT800050R	TRS.	KTC3198Y HVTKTC3198YT
MAIN	Q650		00MHT800931A0	00MHT800931A0	TRS.	KTC3200GR-AT/P CVTKTC3200-GR-AT/PMT
MAIN	Q651		90M-HT800050R	90M-HT800050R	TRS.	KTC3198Y HVTKTC3198YT
MAIN	Q652		00MHT800931A0	00MHT800931A0	TRS.	KTC3200GR-AT/P CVTKTC3200-GR-AT/PMT
MAIN	Q653		90M-HT800050R	90M-HT800050R	TRS.	KTC3198Y HVTKTC3198YT
MAIN	Q654		00MHT800931A0	00MHT800931A0	TRS.	KTC3200GR-AT/P CVTKTC3200-GR-AT/PMT
MAIN	Q655		00MHT800931A0	00MHT800931A0	TRS.	KTC3200GR-AT/P CVTKTC3200-GR-AT/PMT
MAIN	Q656		90M-HT800050R	90M-HT800050R	TRS.	KTC3198Y HVTKTC3198YT
MAIN	Q657		90M-HT600030R	90M-HT600030R	TRS.	KTA1024Y HVTKTA1024YT
MAIN	Q658		90M-HT600030R	90M-HT600030R	TRS.	KTA1024Y HVTKTA1024YT
MAIN	Q659		00MHT800941B0	00MHT800941B0	TRS.	KTC3206Y HVTKTC3206YAT
MAIN	Q660		90M-HT600030R	90M-HT600030R	TRS.	KTA1024Y HVTKTA1024YT
MAIN	Q661		90M-HT600030R	90M-HT600030R	TRS.	KTA1024Y HVTKTA1024YT
MAIN	Q662		00MHT800941B0	00MHT800941B0	TRS.	KTC3206Y HVTKTC3206YAT
MAIN	Q663		90M-HT600030R	90M-HT600030R	TRS.	KTA1024Y HVTKTA1024YT
MAIN	Q664		90M-HT600030R	90M-HT600030R	TRS.	KTA1024Y HVTKTA1024YT
MAIN	Q665		00MHT800941B0	00MHT800941B0	TRS.	KTC3206Y HVTKTC3206YAT
MAIN	Q666		90M-HT600030R	90M-HT600030R	TRS.	KTA1024Y HVTKTA1024YT
MAIN	Q667		90M-HT600030R	90M-HT600030R	TRS.	KTA1024Y HVTKTA1024YT
MAIN	Q668		00MHT800941B0	00MHT800941B0	TRS.	KTC3206Y HVTKTC3206YAT
MAIN	Q669		90M-HT600030R	90M-HT600030R	TRS.	KTA1024Y HVTKTA1024YT
MAIN	Q670		90M-HT600030R	90M-HT600030R	TRS.	KTA1024Y HVTKTA1024YT
MAIN	Q671		00MHT800941B0	00MHT800941B0	TRS.	KTC3206Y HVTKTC3206YAT
MAIN	Q672		90M-HT600030R	90M-HT600030R	TRS.	KTA1024Y HVTKTA1024YT
MAIN	Q673		90M-HT600030R	90M-HT600030R	TRS.	KTA1024Y HVTKTA1024YT
MAIN	Q674		90M-HT600030R	90M-HT600030R	TRS.	KTA1024Y HVTKTA1024YT
MAIN	Q675		90M-HT600030R	90M-HT600030R	TRS.	KTA1024Y HVTKTA1024YT
MAIN	Q676		00MHT800941B0	00MHT800941B0	TRS.	KTC3206Y HVTKTC3206YAT
MAIN	Q677		00MHT800941B0	00MHT800941B0	TRS.	KTC3206Y HVTKTC3206YAT

P.W.B. NAME	POS. NO.	VERS. COLOR	PART NO. (FOR EUR)	PART NO. (MZ)	PART NAME	DESCRIPTION
MAIN	Q678		90M-HT100540R	90M-HT100540R	TRS.	KTA1360Y HVTKTA1360Y
MAIN	Q679		90M-HT300820R	90M-HT300820R	TRS.	KTC3423Y HVTKTC3423Y
MAIN	Q680		90M-HT100540R	90M-HT100540R	TRS.	KTA1360Y HVTKTA1360Y
MAIN	Q681		90M-HT300820R	90M-HT300820R	TRS.	KTC3423Y HVTKTC3423Y
MAIN	Q682		90M-HT100540R	90M-HT100540R	TRS.	KTA1360Y HVTKTA1360Y
MAIN	Q683		90M-HT300820R	90M-HT300820R	TRS.	KTC3423Y HVTKTC3423Y
MAIN	Q684		90M-HT100540R	90M-HT100540R	TRS.	KTA1360Y HVTKTA1360Y
MAIN	Q685		90M-HT300820R	90M-HT300820R	TRS.	KTC3423Y HVTKTC3423Y
MAIN	Q686		90M-HT100540R	90M-HT100540R	TRS.	KTA1360Y HVTKTA1360Y
MAIN	Q687		90M-HT300820R	90M-HT300820R	TRS.	KTC3423Y HVTKTC3423Y
MAIN	Q688		90M-HT100540R	90M-HT100540R	TRS.	KTA1360Y HVTKTA1360Y
MAIN	Q689		90M-HT300820R	90M-HT300820R	TRS.	KTC3423Y HVTKTC3423Y
MAIN	Q690		90M-HT100540R	90M-HT100540R	TRS.	KTA1360Y HVTKTA1360Y
MAIN	Q691		90M-HT300820R	90M-HT300820R	TRS.	KTC3423Y HVTKTC3423Y
MAIN	Q692		90M-HT600030R	90M-HT600030R	TRS.	KTA1024Y HVTKTA1024YT
MAIN	Q693		90M-HT600030R	90M-HT600030R	TRS.	KTA1024Y HVTKTA1024YT
MAIN	Q694		90M-BA001460R	90M-BA001460R	TRS.	KRC107M HVTKRC107MT
MAIN	Q695		90M-BA001460R	90M-BA001460R	TRS.	KRC107M HVTKRC107MT
MAIN	Q696		00MHT800931A0	00MHT800931A0	TRS.	KTC3200GR-AT/P CVTKTC3200-GR-AT/PMT
MAIN	Q697		00MHT800931A0	00MHT800931A0	TRS.	KTC3200GR-AT/P CVTKTC3200-GR-AT/PMT
MAIN	Q698		00MHT800931A0	00MHT800931A0	TRS.	KTC3200GR-AT/P CVTKTC3200-GR-AT/PMT
MAIN	Q699		00MHT800931A0	00MHT800931A0	TRS.	KTC3200GR-AT/P CVTKTC3200-GR-AT/PMT
MAIN	Q700		00MHT800931A0	00MHT800931A0	TRS.	KTC3200GR-AT/P CVTKTC3200-GR-AT/PMT
MAIN	Q701		00MHT800931A0	00MHT800931A0	TRS.	KTC3200GR-AT/P CVTKTC3200-GR-AT/PMT
MAIN	Q702		00MHT800931A0	00MHT800931A0	TRS.	KTC3200GR-AT/P CVTKTC3200-GR-AT/PMT
MAIN	Q703		90M-HT400520R	90M-HT400520R	TRS.	2SD2560 HVT2SD2560
MAIN	Q704		90M-HT800120R	90M-HT800120R	TRS.	KTC3114A HVTKTC3114A
MAIN	Q705		90M-HT200460R	90M-HT200460R	TRS.	2SB1647 HVT2SB1647
MAIN	Q706		90M-HT400520R	90M-HT400520R	TRS.	2SD2560 HVT2SD2560
MAIN	Q707		90M-HT800120R	90M-HT800120R	TRS.	KTC3114A HVTKTC3114A
MAIN	Q708		90M-HT200460R	90M-HT200460R	TRS.	2SB1647 HVT2SB1647
MAIN	Q709		90M-HT400520R	90M-HT400520R	TRS.	2SD2560 HVT2SD2560
MAIN	Q710		90M-HT200460R	90M-HT200460R	TRS.	2SB1647 HVT2SB1647
MAIN	Q711		90M-HT400520R	90M-HT400520R	TRS.	2SD2560 HVT2SD2560
MAIN	Q712		90M-HT200460R	90M-HT200460R	TRS.	2SB1647 HVT2SB1647
MAIN	Q713		90M-HT400520R	90M-HT400520R	TRS.	2SD2560 HVT2SD2560
MAIN	Q714		90M-HT800120R	90M-HT800120R	TRS.	KTC3114A HVTKTC3114A
MAIN	Q715		90M-HT200460R	90M-HT200460R	TRS.	2SB1647 HVT2SB1647
MAIN	Q716		90M-HT400520R	90M-HT400520R	TRS.	2SD2560 HVT2SD2560
MAIN	Q717		90M-HT800120R	90M-HT800120R	TRS.	KTC3114A HVTKTC3114A
MAIN	Q718		90M-HT200460R	90M-HT200460R	TRS.	2SB1647 HVT2SB1647
MAIN	Q719		90M-HT400520R	90M-HT400520R	TRS.	2SD2560 HVT2SD2560
MAIN	Q720		90M-HT800120R	90M-HT800120R	TRS.	KTC3114A HVTKTC3114A
MAIN	Q721		90M-HT200460R	90M-HT200460R	TRS.	2SB1647 HVT2SB1647
MAIN	Q722		90M-HT800120R	90M-HT800120R	TRS.	KTC3114A HVTKTC3114A
MAIN	Q723		90M-HT800120R	90M-HT800120R	TRS.	KTC3114A HVTKTC3114A
MAIN	R600		nsp	nsp	RES.	68K OHM 1/6W J CARBON CRD20TJ683T
MAIN	R601		nsp	nsp	RES.	68K OHM 1/6W J CARBON CRD20TJ683T
MAIN	R602		00MGA05100010	00MGA05100010	RES.	10 OHM METAL OXIDE FILM CRG1ANJ100H
MAIN	R603		00MGA05100010	00MGA05100010	RES.	10 OHM METAL OXIDE FILM CRG1ANJ100H
MAIN	R604		00MGA05100010	00MGA05100010	RES.	10 OHM METAL OXIDE FILM CRG1ANJ100H
MAIN	R605		00MGA05100010	00MGA05100010	RES.	10 OHM METAL OXIDE FILM CRG1ANJ100H
MAIN	R606		00MGA05100010	00MGA05100010	RES.	10 OHM METAL OXIDE FILM CRG1ANJ100H
MAIN	R607		00MGA05100010	00MGA05100010	RES.	10 OHM METAL OXIDE FILM CRG1ANJ100H
MAIN	R608		00MGA05100010	00MGA05100010	RES.	10 OHM METAL OXIDE FILM CRG1ANJ100H

P.W.B. NAME	POS. NO.	VERS. COLOR	PART NO. (FOR EUR)	PART NO. (MZ)	PART NAME	DESCRIPTION
MAIN	R609		nsp	nsp	RES.	4.7 OHM 1/6W J CARBON CRD20TJ4R7T
MAIN	R610		nsp	nsp	RES.	68K OHM 1/6W J CARBON CRD20TJ683T
MAIN	R611		nsp	nsp	RES.	68K OHM 1/6W J CARBON CRD20TJ683T
MAIN	R612		nsp	nsp	RES.	4.7 OHM 1/6W J CARBON CRD20TJ4R7T
MAIN	R613		nsp	nsp	RES.	4.7K OHM 1/6W J CARBON CRD20TJ472T
MAIN	R614		nsp	nsp	RES.	68K OHM 1/6W J CARBON CRD20TJ683T
MAIN	R615		nsp	nsp	RES.	33K OHM 1/6W J CARBON CRD20TJ333T
MAIN	R616		nsp	nsp	RES.	10K OHM 1/6W J CARBON CRD20TJ103T
MAIN	R617		nsp	nsp	RES.	10K OHM 1/6W J CARBON CRD20TJ103T
MAIN	R618		nsp	nsp	RES.	4.7K OHM 1/6W J CARBON CRD20TJ472T
MAIN	R619		nsp	nsp	RES.	68K OHM 1/6W J CARBON CRD20TJ683T
MAIN	R620		nsp	nsp	RES.	39K OHM 1/6W J CARBON CRD20TJ393T
MAIN	R621		nsp	nsp	RES.	1K OHM 1/6W J CARBON CRD20TJ102T
MAIN	R622		nsp	nsp	RES.	10K OHM 1/6W J CARBON CRD20TJ103T
MAIN	R623		nsp	nsp	RES.	4.7K OHM 1/6W J CARBON CRD20TJ472T
MAIN	R624		nsp	nsp	RES.	15K OHM 1/6W J CARBON CRD20TJ153T
MAIN	R625		nsp	nsp	RES.	10K OHM 1/6W J CARBON CRD20TJ103T
MAIN	R626		nsp	nsp	RES.	47K OHM 1/6W J CARBON CRD20TJ473T
MAIN	R627		nsp	nsp	RES.	47K OHM 1/6W J CARBON CRD20TJ473T
MAIN	R628		nsp	nsp	RES.	22K OHM 1/6W J CARBON CRD20TJ223T
MAIN	R629		nsp	nsp	RES.	68K OHM 1/6W J CARBON CRD20TJ683T
MAIN	R630		nsp	nsp	RES.	68K OHM 1/6W J CARBON CRD20TJ683T
MAIN	R631		nsp	nsp	RES.	68K OHM 1/6W J CARBON CRD20TJ683T
MAIN	R632		nsp	nsp	RES.	100K OHM 1/6W J CARBON CRD20TJ104T
MAIN	R633		nsp	nsp	RES.	4.7K OHM 1/6W J CARBON CRD20TJ472T
MAIN	R634		nsp	nsp	RES.	4.7K OHM 1/6W J CARBON CRD20TJ472T
MAIN	R635		nsp	nsp	RES.	10K OHM 1/6W J CARBON CRD20TJ103T
MAIN	R636		nsp	nsp	RES.	2.2K OHM 1/6W J CARBON CRD20TJ222T
MAIN	R637		nsp	nsp	RES.	100K OHM 1/6W J CARBON CRD20TJ104T
MAIN	R638		nsp	nsp	RES.	33K OHM 1/6W J CARBON CRD20TJ333T
MAIN	R639		nsp	nsp	RES.	15K OHM 1/6W J CARBON CRD20TJ153T
MAIN	R640		nsp	nsp	RES.	33K OHM 1/6W J CARBON CRD20TJ333T
MAIN	R641		nsp	nsp	RES.	4.7K OHM 1/6W J CARBON CRD20TJ472T
MAIN	R642		nsp	nsp	RES.	22K OHM 1/6W J CARBON CRD20TJ223T
MAIN	R643		nsp	nsp	RES.	6.8K OHM 1/5W J CARBON CRD20TJ682T
MAIN	R644		nsp	nsp	RES.	56 OHM 1/4W J CARBON CRD25TJ560T
MAIN	R645		nsp	nsp	RES.	33K OHM 1/6W J CARBON CRD20TJ333T
MAIN	R646		nsp	nsp	RES.	2.7K OHM 1/6W J CARBON CRD20TJ272T
MAIN	R647		nsp	nsp	RES.	10K OHM 1/6W J CARBON CRD20TJ103T
MAIN	R648		nsp	nsp	RES.	22K OHM 1/6W J CARBON CRD20TJ223T
MAIN	R649		nsp	nsp	RES.	10K OHM 1/6W J CARBON CRD20TJ103T
MAIN	R650		nsp	nsp	RES.	22K OHM 1/6W J CARBON CRD20TJ223T
MAIN	R651		nsp	nsp	RES.	10K OHM 1/6W J CARBON CRD20TJ103T
MAIN	R652		nsp	nsp	RES.	20K OHM 1/6W J CARBON CRD20TJ203T
MAIN	R653		nsp	nsp	RES.	15K OHM 1/6W J CARBON CRD20TJ153T
MAIN	R654		nsp	nsp	RES.	15K OHM 1/6W J CARBON CRD20TJ153T
MAIN	R655		nsp	nsp	RES.	15K OHM 1/6W J CARBON CRD20TJ153T
MAIN	R656		nsp	nsp	RES.	15K OHM 1/6W J CARBON CRD20TJ153T
MAIN	R657		nsp	nsp	RES.	4.7 OHM 1/6W J CARBON CRD20TJ4R7T
MAIN	R658		nsp	nsp	RES.	10K OHM 1/6W J CARBON CRD20TJ103T
MAIN	R659		nsp	nsp	RES.	4.7K OHM 1/6W J CARBON CRD20TJ472T
MAIN	R660		nsp	nsp	RES.	4.7K OHM 1/6W J CARBON CRD20TJ472T
MAIN	R661		nsp	nsp	RES.	10K OHM 1/6W J CARBON CRD20TJ103T
MAIN	R662		nsp	nsp	RES.	47K OHM 1/6W J CARBON CRD20TJ473T
MAIN	R663		nsp	nsp	RES.	15K OHM 1/6W J CARBON CRD20TJ153T

P.W.B. NAME	POS. NO.	VERS. COLOR	PART NO. (FOR EUR)	PART NO. (MZ)	PART NAME	DESCRIPTION
MAIN	R664		nsp	nsp	RES.	15K OHM 1/6W J CARBON CRD20TJ153T
MAIN	R665		nsp	nsp	RES.	15K OHM 1/6W J CARBON CRD20TJ153T
MAIN	R666		nsp	nsp	RES.	6.8K OHM 1/6W J CARBON CRD20TJ682T
MAIN	R668		nsp	nsp	RES.	1 OHM 1/6W J CARBON CRD20TJ1R0T
MAIN	R669		nsp	nsp	RES.	1K OHM 1/6W J CARBON CRD20TJ102T
MAIN	R670		nsp	nsp	RES.	330 OHM 1/6W J CARBON CRD20TJ331T
MAIN	R671		nsp	nsp	RES.	33K OHM 1/4W J CARBON CRD25TJ333T
MAIN	R672		nsp	nsp	RES.	330 OHM 1/6W J CARBON CRD20TJ331T
MAIN	R673		nsp	nsp	RES.	330 OHM 1/6W J CARBON CRD20TJ331T
MAIN	R674		nsp	nsp	RES.	33K OHM 1/6W J CARBON CRD20TJ333T
MAIN	R675		nsp	nsp	RES.	33K OHM 1/4W J CARBON CRD25TJ333T
MAIN	R676		nsp	nsp	RES.	330 OHM 1/6W J CARBON CRD20TJ331T
MAIN	R677		nsp	nsp	RES.	330 OHM 1/6W J CARBON CRD20TJ331T
MAIN	R678		nsp	nsp	RES.	33K OHM 1/4W J CARBON CRD25TJ333T
MAIN	R679		nsp	nsp	RES.	1.3K OHM 1/6W CARBON CRD20TJ132T
MAIN	R680		nsp	nsp	RES.	33K OHM 1/6W J CARBON CRD20TJ333T
MAIN	R681		nsp	nsp	RES.	33K OHM 1/4W J CARBON CRD25TJ333T
MAIN	R682		nsp	nsp	RES.	33K OHM 1/6W J CARBON CRD20TJ333T
MAIN	R683		nsp	nsp	RES.	33K OHM 1/4W J CARBON CRD25TJ333T
MAIN	R684		nsp	nsp	RES.	33K OHM 1/4W J CARBON CRD25TJ333T
MAIN	R685		nsp	nsp	RES.	33K OHM 1/4W J CARBON CRD25TJ333T
MAIN	R686		nsp	nsp	RES.	1.3K OHM 1/6W CARBON CRD20TJ132T
MAIN	R687		nsp	nsp	RES.	33K OHM 1/6W J CARBON CRD20TJ333T
MAIN	R688		nsp	nsp	RES.	33K OHM 1/6W J CARBON CRD20TJ333T
MAIN	R689		nsp	nsp	RES.	33K OHM 1/6W J CARBON CRD20TJ333T
MAIN	R690		nsp	nsp	RES.	330 OHM 1/6W J CARBON CRD20TJ331T
MAIN	R692		nsp	nsp	RES.	33K OHM 1/6W J CARBON CRD20TJ333T
MAIN	R693		nsp	nsp	RES.	330 OHM 1/6W J CARBON CRD20TJ331T
MAIN	R695		nsp	nsp	CORD	SN95/PB5 0.6 C3A206
MAIN	R696		nsp	nsp	CORD	SN95/PB5 0.6 C3A206
MAIN	R697		nsp	nsp	RES.	470 OHM 1/6W J CARBON CRD20TJ471T
MAIN	R698		nsp	nsp	RES.	1.3K OHM 1/6W CARBON CRD20TJ132T
MAIN	R699		nsp	nsp	RES.	470 OHM 1/6W J CARBON CRD20TJ471T
MAIN	R700		nsp	nsp	RES.	1.3K OHM 1/6W CARBON CRD20TJ132T
MAIN	R701		nsp	nsp	RES.	470 OHM 1/6W J CARBON CRD20TJ471T
MAIN	R702		nsp	nsp	RES.	1.3K OHM 1/6W CARBON CRD20TJ132T
MAIN	R703		nsp	nsp	RES.	43K OHM 1/6W J CARBON CRD20TJ433T
MAIN	R704		nsp	nsp	RES.	470 OHM 1/6W J CARBON CRD20TJ471T
MAIN	R705		nsp	nsp	RES.	1.3K OHM 1/6W CARBON CRD20TJ132T
MAIN	R706		nsp	nsp	RES.	43K OHM 1/6W J CARBON CRD20TJ433T
MAIN	R707		nsp	nsp	RES.	1.3K OHM 1/6W CARBON CRD20TJ132T
MAIN	R708		nsp	nsp	RES.	150 OHM 1/6W J CARBON CRD20TJ151T
MAIN	R709		nsp	nsp	RES.	150 OHM 1/6W J CARBON CRD20TJ151T
MAIN	R710		nsp	nsp	RES.	150 OHM 1/6W J CARBON CRD20TJ151T
MAIN	R711		nsp	nsp	RES.	470 OHM 1/6W J CARBON CRD20TJ471T
MAIN	R712		nsp	nsp	RES.	150 OHM 1/6W J CARBON CRD20TJ151T
MAIN	R713		nsp	nsp	RES.	150 OHM 1/6W J CARBON CRD20TJ151T
MAIN	R714		nsp	nsp	RES.	150 OHM 1/6W J CARBON CRD20TJ151T
MAIN	R715		nsp	nsp	RES.	470 OHM 1/6W J CARBON CRD20TJ471T
MAIN	R716		nsp	nsp	RES.	150 OHM 1/6W J CARBON CRD20TJ151T
MAIN	R717		nsp	nsp	RES.	150 OHM 1/6W J CARBON CRD20TJ151T
MAIN	R718		nsp	nsp	RES.	43K OHM 1/6W J CARBON CRD20TJ433T
MAIN	R719		nsp	nsp	RES.	150 OHM 1/6W J CARBON CRD20TJ151T
MAIN	R720		nsp	nsp	RES.	43K OHM 1/6W J CARBON CRD20TJ433T
MAIN	R721		nsp	nsp	RES.	150 OHM 1/6W J CARBON CRD20TJ151T

P.W.B. NAME	POS. NO.	VERS. COLOR	PART NO. (FOR EUR)	PART NO. (MZ)	PART NAME	DESCRIPTION
MAIN	R722		nsp	nsp	RES.	43K OHM 1/6W J CARBON CRD20TJ433T
MAIN	R723		nsp	nsp	RES.	150 OHM 1/6W J CARBON CRD20TJ151T
MAIN	R724		nsp	nsp	RES.	150 OHM 1/6W J CARBON CRD20TJ151T
MAIN	R725		nsp	nsp	RES.	43K OHM 1/6W J CARBON CRD20TJ433T
MAIN	R726		nsp	nsp	RES.	470 OHM 1/6W J CARBON CRD20TJ471T
MAIN	R727		nsp	nsp	RES.	150 OHM 1/6W J CARBON CRD20TJ151T
MAIN	R728		nsp	nsp	RES.	150 OHM 1/6W J CARBON CRD20TJ151T
MAIN	R729		nsp	nsp	RES.	43K OHM 1/6W J CARBON CRD20TJ433T
MAIN	R730		943129008170S	943129008170S	RES.	560 OHM 1/4W FLAME RETARDANT CRG14SANCJ561T
MAIN	R731		nsp	nsp	RES.	1.5K OHM 1/6W J CARBON CRD20TJ152T
MAIN	R732		nsp	nsp	RES.	1.5K OHM 1/6W J CARBON CRD20TJ152T
MAIN	R733		943129008170S	943129008170S	RES.	560 OHM 1/4W FLAME RETARDANT CRG14SANCJ561T
MAIN	R734		nsp	nsp	RES.	270 OHM 1/6W J CARBON CRD20TJ271T
MAIN	R735		943129008170S	943129008170S	RES.	560 OHM 1/4W FLAME RETARDANT CRG14SANCJ561T
MAIN	R736		943129008170S	943129008170S	RES.	560 OHM 1/4W FLAME RETARDANT CRG14SANCJ561T
MAIN	R737		nsp	nsp	RES.	1.5K OHM 1/6W J CARBON CRD20TJ152T
MAIN	R738		nsp	nsp	RES.	1.5K OHM 1/6W J CARBON CRD20TJ152T
MAIN	R739		943129008170S	943129008170S	RES.	560 OHM 1/4W FLAME RETARDANT CRG14SANCJ561T
MAIN	R740		nsp	nsp	RES.	270 OHM 1/6W J CARBON CRD20TJ271T
MAIN	R741		943129008170S	943129008170S	RES.	560 OHM 1/4W FLAME RETARDANT CRG14SANCJ561T
MAIN	R742		943129008170S	943129008170S	RES.	560 OHM 1/4W FLAME RETARDANT CRG14SANCJ561T
MAIN	R743		nsp	nsp	RES.	1.5K OHM 1/6W J CARBON CRD20TJ152T
MAIN	R744		nsp	nsp	RES.	1.5K OHM 1/6W J CARBON CRD20TJ152T
MAIN	R745		943129008170S	943129008170S	RES.	560 OHM 1/4W FLAME RETARDANT CRG14SANCJ561T
MAIN	R746		nsp	nsp	RES.	270 OHM 1/6W J CARBON CRD20TJ271T
MAIN	R747		943129008170S	943129008170S	RES.	560 OHM 1/4W FLAME RETARDANT CRG14SANCJ561T
MAIN	R748		943129008170S	943129008170S	RES.	560 OHM 1/4W FLAME RETARDANT CRG14SANCJ561T
MAIN	R749		nsp	nsp	RES.	1.5K OHM 1/6W J CARBON CRD20TJ152T
MAIN	R750		nsp	nsp	RES.	1.5K OHM 1/6W J CARBON CRD20TJ152T
MAIN	R751		943129008170S	943129008170S	RES.	560 OHM 1/4W FLAME RETARDANT CRG14SANCJ561T
MAIN	R752		nsp	nsp	RES.	270 OHM 1/6W J CARBON CRD20TJ271T
MAIN	R753		943129008170S	943129008170S	RES.	560 OHM 1/4W FLAME RETARDANT CRG14SANCJ561T
MAIN	R754		943129008170S	943129008170S	RES.	560 OHM 1/4W FLAME RETARDANT CRG14SANCJ561T
MAIN	R755		nsp	nsp	RES.	1.5K OHM 1/6W J CARBON CRD20TJ152T
MAIN	R756		nsp	nsp	RES.	1.5K OHM 1/6W J CARBON CRD20TJ152T
MAIN	R757		943129008170S	943129008170S	RES.	560 OHM 1/4W FLAME RETARDANT CRG14SANCJ561T
MAIN	R758		nsp	nsp	RES.	270 OHM 1/6W J CARBON CRD20TJ271T
MAIN	R759		943129008170S	943129008170S	RES.	560 OHM 1/4W FLAME RETARDANT CRG14SANCJ561T
MAIN	R760		943129008170S	943129008170S	RES.	560 OHM 1/4W FLAME RETARDANT CRG14SANCJ561T
MAIN	R761		nsp	nsp	RES.	1.5K OHM 1/6W J CARBON CRD20TJ152T
MAIN	R762		nsp	nsp	RES.	1.5K OHM 1/6W J CARBON CRD20TJ152T
MAIN	R763		943129008170S	943129008170S	RES.	560 OHM 1/4W FLAME RETARDANT CRG14SANCJ561T
MAIN	R764		nsp	nsp	RES.	270 OHM 1/6W J CARBON CRD20TJ271T
MAIN	R765		943129008170S	943129008170S	RES.	560 OHM 1/4W FLAME RETARDANT CRG14SANCJ561T
MAIN	R766		943129008170S	943129008170S	RES.	560 OHM 1/4W FLAME RETARDANT CRG14SANCJ561T
MAIN	R767		nsp	nsp	RES.	1.5K OHM 1/6W J CARBON CRD20TJ152T
MAIN	R768		nsp	nsp	RES.	1.5K OHM 1/6W J CARBON CRD20TJ152T
MAIN	R769		943129008170S	943129008170S	RES.	560 OHM 1/4W FLAME RETARDANT CRG14SANCJ561T
MAIN	R770		nsp	nsp	RES.	270 OHM 1/6W J CARBON CRD20TJ271T
MAIN	R771		943129008170S	943129008170S	RES.	560 OHM 1/4W FLAME RETARDANT CRG14SANCJ561T
MAIN	R772		nsp	nsp	RES.	27K OHM 1/6W J CARBON CRD20TJ273T
MAIN	R773		943129008180S	943129008180S	RES.	75 OHM 1/4W FLAME RETARDANT CRG14SANCJ750T
MAIN	R774		943129008170S	943129008170S	RES.	560 OHM 1/4W FLAME RETARDANT CRG14SANCJ561T
MAIN	R775		943129008170S	943129008170S	RES.	560 OHM 1/4W FLAME RETARDANT CRG14SANCJ561T
MAIN	R776		nsp	nsp	RES.	22K OHM 1/6W J CARBON CRD20TJ223T

P.W.B. NAME	POS. NO.	VERS. COLOR	PART NO. (FOR EUR)	PART NO. (MZ)	PART NAME	DESCRIPTION
MAIN	R777		nsp	nsp	RES.	22K OHM 1/6W J CARBON CRD20TJ223T
MAIN	R778		943129008170S	943129008170S	RES.	560 OHM 1/4W FLAME RETARDANT CRG14SANCJ561T
MAIN	R779		943129008180S	943129008180S	RES.	75 OHM 1/4W FLAME RETARDANT CRG14SANCJ750T
MAIN	R780		943129008180S	943129008180S	RES.	75 OHM 1/4W FLAME RETARDANT CRG14SANCJ750T
MAIN	R781		943129008170S	943129008170S	RES.	560 OHM 1/4W FLAME RETARDANT CRG14SANCJ561T
MAIN	R782		943129008170S	943129008170S	RES.	560 OHM 1/4W FLAME RETARDANT CRG14SANCJ561T
MAIN	R783		nsp	nsp	RES.	22K OHM 1/6W J CARBON CRD20TJ223T
MAIN	R784		nsp	nsp	RES.	22K OHM 1/6W J CARBON CRD20TJ223T
MAIN	R785		943129008170S	943129008170S	RES.	560 OHM 1/4W FLAME RETARDANT CRG14SANCJ561T
MAIN	R786		943129008180S	943129008180S	RES.	75 OHM 1/4W FLAME RETARDANT CRG14SANCJ750T
MAIN	R787		943129008180S	943129008180S	RES.	75 OHM 1/4W FLAME RETARDANT CRG14SANCJ750T
MAIN	R788		943129008170S	943129008170S	RES.	560 OHM 1/4W FLAME RETARDANT CRG14SANCJ561T
MAIN	R789		943129008170S	943129008170S	RES.	560 OHM 1/4W FLAME RETARDANT CRG14SANCJ561T
MAIN	R790		nsp	nsp	RES.	22K OHM 1/6W J CARBON CRD20TJ223T
MAIN	R791		nsp	nsp	RES.	22K OHM 1/6W J CARBON CRD20TJ223T
MAIN	R792		943129008170S	943129008170S	RES.	560 OHM 1/4W FLAME RETARDANT CRG14SANCJ561T
MAIN	R793		943129008180S	943129008180S	RES.	75 OHM 1/4W FLAME RETARDANT CRG14SANCJ750T
MAIN	R794		943129008180S	943129008180S	RES.	75 OHM 1/4W FLAME RETARDANT CRG14SANCJ750T
MAIN	R795		943129008170S	943129008170S	RES.	560 OHM 1/4W FLAME RETARDANT CRG14SANCJ561T
MAIN	R796		943129008170S	943129008170S	RES.	560 OHM 1/4W FLAME RETARDANT CRG14SANCJ561T
MAIN	R797		nsp	nsp	RES.	22K OHM 1/6W J CARBON CRD20TJ223T
MAIN	R798		nsp	nsp	RES.	22K OHM 1/6W J CARBON CRD20TJ223T
MAIN	R799		943129008170S	943129008170S	RES.	560 OHM 1/4W FLAME RETARDANT CRG14SANCJ561T
MAIN	R800		943129008180S	943129008180S	RES.	75 OHM 1/4W FLAME RETARDANT CRG14SANCJ750T
MAIN	R801		943129008180S	943129008180S	RES.	75 OHM 1/4W FLAME RETARDANT CRG14SANCJ750T
MAIN	R802		943129008170S	943129008170S	RES.	560 OHM 1/4W FLAME RETARDANT CRG14SANCJ561T
MAIN	R803		943129008170S	943129008170S	RES.	560 OHM 1/4W FLAME RETARDANT CRG14SANCJ561T
MAIN	R804		nsp	nsp	RES.	22K OHM 1/6W J CARBON CRD20TJ223T
MAIN	R805		nsp	nsp	RES.	22K OHM 1/6W J CARBON CRD20TJ223T
MAIN	R806		943129008170S	943129008170S	RES.	560 OHM 1/4W FLAME RETARDANT CRG14SANCJ561T
MAIN	R807		943129008180S	943129008180S	RES.	75 OHM 1/4W FLAME RETARDANT CRG14SANCJ750T
MAIN	R808		943129008180S	943129008180S	RES.	75 OHM 1/4W FLAME RETARDANT CRG14SANCJ750T
MAIN	R809		943129008170S	943129008170S	RES.	560 OHM 1/4W FLAME RETARDANT CRG14SANCJ561T
MAIN	R810		943129008170S	943129008170S	RES.	560 OHM 1/4W FLAME RETARDANT CRG14SANCJ561T
MAIN	R811		nsp	nsp	RES.	22K OHM 1/6W J CARBON CRD20TJ223T
MAIN	R812		nsp	nsp	RES.	22K OHM 1/6W J CARBON CRD20TJ223T
MAIN	R813		943129008170S	943129008170S	RES.	560 OHM 1/4W FLAME RETARDANT CRG14SANCJ561T
MAIN	R814		943129008180S	943129008180S	RES.	75 OHM 1/4W FLAME RETARDANT CRG14SANCJ750T
MAIN	R815		943129008180S	943129008180S	RES.	75 OHM 1/4W FLAME RETARDANT CRG14SANCJ750T
MAIN	R816		943129008170S	943129008170S	RES.	560 OHM 1/4W FLAME RETARDANT CRG14SANCJ561T
MAIN	R817		943129008170S	943129008170S	RES.	560 OHM 1/4W FLAME RETARDANT CRG14SANCJ561T
MAIN	R818		nsp	nsp	RES.	22K OHM 1/6W J CARBON CRD20TJ223T
MAIN	R819		nsp	nsp	RES.	22K OHM 1/6W J CARBON CRD20TJ223T
MAIN	R820		943129008170S	943129008170S	RES.	560 OHM 1/4W FLAME RETARDANT CRG14SANCJ561T
MAIN	R821		943129008180S	943129008180S	RES.	75 OHM 1/4W FLAME RETARDANT CRG14SANCJ750T
MAIN	R822		943129008190S	943129008190S	RES.	10 OHM 1/4W FLAME RETARDANT CRG14SANCJ100T
MAIN	R823		943129008190S	943129008190S	RES.	10 OHM 1/4W FLAME RETARDANT CRG14SANCJ100T
MAIN	R824		943129008190S	943129008190S	RES.	10 OHM 1/4W FLAME RETARDANT CRG14SANCJ100T
MAIN	R825		943129008190S	943129008190S	RES.	10 OHM 1/4W FLAME RETARDANT CRG14SANCJ100T
MAIN	R826		943129008190S	943129008190S	RES.	10 OHM 1/4W FLAME RETARDANT CRG14SANCJ100T
MAIN	R827		943129008190S	943129008190S	RES.	10 OHM 1/4W FLAME RETARDANT CRG14SANCJ100T
MAIN	R828		943129008190S	943129008190S	RES.	10 OHM 1/4W FLAME RETARDANT CRG14SANCJ100T
MAIN	R829		943121008200S	943121008200S	RES.	18 OHM 1/4W J CARBON NONFLAMMABLE CRD25FJ180T
MAIN	R830		nsp	00MGD05331160	RES.	330 OHM 1/6W J CARBON CRD20TJ331T

P.W.B. NAME	POS. NO.	VERS. COLOR	PART NO. (FOR EUR)	PART NO. (MZ)	PART NAME	DESCRIPTION
MAIN	R831		943121008200S	943121008200S	RES.	18 OHM 1/4W J CARBON NONFLAMMABLE CRD25FJ180T
MAIN	R832		943121008200S	943121008200S	RES.	18 OHM 1/4W J CARBON NONFLAMMABLE CRD25FJ180T
MAIN	R833		943121008200S	943121008200S	RES.	18 OHM 1/4W J CARBON NONFLAMMABLE CRD25FJ180T
MAIN	R834		943121008200S	943121008200S	RES.	18 OHM 1/4W J CARBON NONFLAMMABLE CRD25FJ180T
MAIN	R835		943121008200S	943121008200S	RES.	18 OHM 1/4W J CARBON NONFLAMMABLE CRD25FJ180T
MAIN	R836		943121008200S	943121008200S	RES.	18 OHM 1/4W J CARBON NONFLAMMABLE CRD25FJ180T
MAIN	R837		943121008200S	943121008200S	RES.	18 OHM 1/4W J CARBON NONFLAMMABLE CRD25FJ180T
MAIN	R838		943121008200S	943121008200S	RES.	18 OHM 1/4W J CARBON NONFLAMMABLE CRD25FJ180T
MAIN	R839		943121008200S	943121008200S	RES.	18 OHM 1/4W J CARBON NONFLAMMABLE CRD25FJ180T
MAIN	R840		943121008200S	943121008200S	RES.	18 OHM 1/4W J CARBON NONFLAMMABLE CRD25FJ180T
MAIN	R841		943121008200S	943121008200S	RES.	18 OHM 1/4W J CARBON NONFLAMMABLE CRD25FJ180T
MAIN	R842		943121008200S	943121008200S	RES.	18 OHM 1/4W J CARBON NONFLAMMABLE CRD25FJ180T
MAIN	R843		nsp	00MGD05331160	RES.	330 OHM 1/6W J CARBON CRD20TJ331T
MAIN	R844		943121008200S	943121008200S	RES.	18 OHM 1/4W J CARBON NONFLAMMABLE CRD25FJ180T
MAIN	R845		nsp	00MGD05273160	RES.	27K OHM 1/6W J CARBON CRD20TJ273T
MAIN	R846		nsp	00MGD05331160	RES.	330 OHM 1/6W J CARBON CRD20TJ331T
MAIN	R847		nsp	00MGD05223160	RES.	22K OHM 1/6W J CARBON CRD20TJ223T
MAIN	R848		nsp	00MGD05223160	RES.	22K OHM 1/6W J CARBON CRD20TJ223T
MAIN	R849		nsp	00MGD05273160	RES.	27K OHM 1/6W J CARBON CRD20TJ273T
MAIN	R850		nsp	nsp	RES.	47 OHM 1/4W J CARBON CRD25TJ470T
MAIN	R851		nsp	nsp	RES.	47 OHM 1/4W J CARBON CRD25TJ470T
MAIN	R852		nsp	nsp	RES.	47 OHM 1/4W J CARBON CRD25TJ470T
MAIN	R853		nsp	nsp	RES.	47 OHM 1/4W J CARBON CRD25TJ470T
MAIN	R854		nsp	nsp	RES.	47 OHM 1/4W J CARBON CRD25TJ470T
MAIN	R855		nsp	nsp	RES.	47 OHM 1/4W J CARBON CRD25TJ470T
MAIN	R856		nsp	nsp	RES.	47 OHM 1/4W J CARBON CRD25TJ470T
MAIN	R857		nsp	nsp	RES.	47 OHM 1/4W J CARBON CRD25TJ470T
MAIN	R858		nsp	nsp	RES.	47 OHM 1/4W J CARBON CRD25TJ470T
MAIN	R859		nsp	nsp	RES.	47 OHM 1/4W J CARBON CRD25TJ470T
MAIN	R860		nsp	nsp	RES.	47 OHM 1/4W J CARBON CRD25TJ470T
MAIN	R861		nsp	nsp	RES.	47 OHM 1/4W J CARBON CRD25TJ470T
MAIN	R862		nsp	00MGD05223160	RES.	22K OHM 1/6W J CARBON CRD20TJ223T
MAIN	R863		nsp	nsp	RES.	47 OHM 1/4W J CARBON CRD25TJ470T
MAIN	R864		nsp	nsp	RES.	47 OHM 1/4W J CARBON CRD25TJ470T
MAIN	R865		90M-GO000013R	90M-GO000013R	RES.	0.27OHM(*2) 5W CRF5EKR27HX2
MAIN	R866		90M-GO000013R	90M-GO000013R	RES.	0.27OHM(*2) 5W CRF5EKR27HX2
MAIN	R867		nsp	nsp	RES.	22K OHM 1/6W J CARBON CRD20TJ223T
MAIN	R868		90M-GO000013R	90M-GO000013R	RES.	0.27OHM(*2) 5W CRF5EKR27HX2
MAIN	R869		90M-GO000013R	90M-GO000013R	RES.	0.27OHM(*2) 5W CRF5EKR27HX2
MAIN	R870		90M-GO000013R	90M-GO000013R	RES.	0.27OHM(*2) 5W CRF5EKR27HX2
MAIN	R871		90M-GO000013R	90M-GO000013R	RES.	0.27OHM(*2) 5W CRF5EKR27HX2
MAIN	R872		90M-GO000013R	90M-GO000013R	RES.	0.27OHM(*2) 5W CRF5EKR27HX2
MAIN	R873		nsp	nsp	RES.	10K OHM 1/6W J CARBON CRD20TJ103T
MAIN	R874		nsp	nsp	RES.	10K OHM 1/6W J CARBON CRD20TJ103T
MAIN	R875		nsp	nsp	RES.	22K OHM 1/6W J CARBON CRD20TJ223T

P.W.B. NAME	POS. NO.	VERS. COLOR	PART NO. (FOR EUR)	PART NO. (MZ)	PART NAME	DESCRIPTION
MAIN	R876		nsp	nsp	RES.	22K OHM 1/6W J CARBON CRD20TJ223T
MAIN	R877		nsp	nsp	RES.	22K OHM 1/6W J CARBON CRD20TJ223T
MAIN	R878		nsp	nsp	RES.	10K OHM 1/6W J CARBON CRD20TJ103T
MAIN	R880		nsp	nsp	RES.	10K OHM 1/6W J CARBON CRD20TJ103T
MAIN	R881		nsp	nsp	RES.	330 OHM 1/6W J CARBON CRD20TJ331T
MAIN	R882		nsp	nsp	RES.	1.2K OHM 1/6W J CARBON CRD20TJ122T
MAIN	R883		nsp	nsp	RES.	330 OHM 1/6W J CARBON CRD20TJ331T
MAIN	R884		nsp	nsp	RES.	9.1K OHM 1/6W J CARBON CRD20TJ912T
MAIN	R885		nsp	nsp	RES.	1.2K OHM 1/6W J CARBON CRD20TJ122T
MAIN	R886		nsp	nsp	RES.	9.1K OHM 1/6W J CARBON CRD20TJ912T
MAIN	R887		nsp	nsp	RES.	9.1K OHM 1/6W J CARBON CRD20TJ912T
MAIN	R888		nsp	nsp	RES.	9.1K OHM 1/6W J CARBON CRD20TJ912T
MAIN	R889		nsp	nsp	RES.	330 OHM 1/6W J CARBON CRD20TJ331T
MAIN	R890		nsp	nsp	RES.	330 OHM 1/6W J CARBON CRD20TJ331T
MAIN	R892		nsp	nsp	RES.	10K OHM 1/6W J CARBON CRD20TJ103T
MAIN	R893		nsp	nsp	RES.	330 OHM 1/6W J CARBON CRD20TJ331T
MAIN	R895		nsp	nsp	RES.	1.2K OHM 1/6W J CARBON CRD20TJ122T
MAIN	R896		nsp	nsp	RES.	10K OHM 1/6W J CARBON CRD20TJ103T
MAIN	R897		nsp	nsp	RES.	330 OHM 1/6W J CARBON CRD20TJ331T
MAIN	R899		nsp	nsp	RES.	10K OHM 1/6W J CARBON CRD20TJ103T
MAIN	R900		nsp	nsp	RES.	10K OHM 1/6W J CARBON CRD20TJ103T
MAIN	R901		nsp	nsp	RES.	330 OHM 1/6W J CARBON CRD20TJ331T
MAIN	R903		nsp	nsp	RES.	10K OHM 1/6W J CARBON CRD20TJ103T
MAIN	R904		nsp	nsp	RES.	10K OHM 1/6W J CARBON CRD20TJ103T
MAIN	R906		nsp	nsp	RES.	9.1K OHM 1/6W J CARBON CRD20TJ912T
MAIN	R907		nsp	nsp	RES.	10K OHM 1/6W J CARBON CRD20TJ103T
MAIN	R908		nsp	nsp	RES.	1.2K OHM 1/6W J CARBON CRD20TJ122T
MAIN	R909		nsp	nsp	RES.	1.2K OHM 1/6W J CARBON CRD20TJ122T
MAIN	R910		nsp	nsp	RES.	9.1K OHM 1/6W J CARBON CRD20TJ912T
MAIN	R911		nsp	nsp	RES.	1.2K OHM 1/6W J CARBON CRD20TJ122T
MAIN	R912		nsp	nsp	RES.	10K OHM 1/6W J CARBON CRD20TJ103T
MAIN	R914		nsp	nsp	RES.	9.1K OHM 1/6W J CARBON CRD20TJ912T
MAIN	R915		nsp	nsp	RES.	1.2K OHM 1/6W J CARBON CRD20TJ122T
MAIN	R916		nsp	nsp	RES.	10K OHM 1/6W J CARBON CRD20TJ103T
MAIN	R917		943121007000M	943121007000M	RES.	3.3 OHM 1/4W J CARBON NONFLAMMABLE CRD25FJ3R3T
MAIN	R918		943121007000M	943121007000M	RES.	3.3 OHM 1/4W J CARBON NONFLAMMABLE CRD25FJ3R3T
MAIN	R919		943121007000M	943121007000M	RES.	3.3 OHM 1/4W J CARBON NONFLAMMABLE CRD25FJ3R3T
MAIN	R920		943121007000M	943121007000M	RES.	3.3 OHM 1/4W J CARBON NONFLAMMABLE CRD25FJ3R3T
MAIN	R921		943121007000M	943121007000M	RES.	3.3 OHM 1/4W J CARBON NONFLAMMABLE CRD25FJ3R3T
MAIN	R922		00MGD05274160	00MGD05274160	RES.	270K OHM 1/6W J CARBON CRD20TJ274T
MAIN	R923		00MGD05274160	00MGD05274160	RES.	270K OHM 1/6W J CARBON CRD20TJ274T
MAIN	R924		943121007000M	943121007000M	RES.	3.3 OHM 1/4W J CARBON NONFLAMMABLE CRD25FJ3R3T
MAIN	R925		943121007000M	943121007000M	RES.	3.3 OHM 1/4W J CARBON NONFLAMMABLE CRD25FJ3R3T
MAIN	R926		943121007000M	943121007000M	RES.	3.3 OHM 1/4W J CARBON NONFLAMMABLE CRD25FJ3R3T
MAIN	R927		943121007000M	943121007000M	RES.	3.3 OHM 1/4W J CARBON NONFLAMMABLE CRD25FJ3R3T
MAIN	R928		943121007000M	943121007000M	RES.	3.3 OHM 1/4W J CARBON NONFLAMMABLE CRD25FJ3R3T
MAIN	R929		943121007000M	943121007000M	RES.	3.3 OHM 1/4W J CARBON NONFLAMMABLE CRD25FJ3R3T

P.W.B. NAME	POS. NO.	VERS. COLOR	PART NO. (FOR EUR)	PART NO. (MZ)	PART NAME	DESCRIPTION
MAIN	R930		943121007000M	943121007000M	RES.	3.3 OHM 1/4W J CARBON NONFLAMMABLE CRD25FJ3R3T
MAIN	R931		943121007000M	943121007000M	RES.	3.3 OHM 1/4W J CARBON NONFLAMMABLE CRD25FJ3R3T
MAIN	R932		943121007000M	943121007000M	RES.	3.3 OHM 1/4W J CARBON NONFLAMMABLE CRD25FJ3R3T
MAIN	R933		nsp	nsp	RES.	10K OHM 1/6W J CARBON CRD20TJ103T
MAIN	R934		nsp	nsp	RES.	270K OHM 1/6W J CARBON CRD20TJ274T
MAIN	R935		nsp	nsp	RES.	270K OHM 1/6W J CARBON CRD20TJ274T
MAIN	R936		nsp	nsp	RES.	270K OHM 1/6W J CARBON CRD20TJ274T
MAIN	R937		nsp	nsp	RES.	270K OHM 1/6W J CARBON CRD20TJ274T
MAIN	R938		nsp	nsp	RES.	270K OHM 1/6W J CARBON CRD20TJ274T
MAIN	R939		nsp	nsp	RES.	270K OHM 1/6W J CARBON CRD20TJ274T
MAIN	R940		nsp	nsp	RES.	270K OHM 1/6W J CARBON CRD20TJ274T
MAIN	R941		nsp	nsp	RES.	270K OHM 1/6W J CARBON CRD20TJ274T
MAIN	R942		nsp	nsp	RES.	270K OHM 1/6W J CARBON CRD20TJ274T
MAIN	R943		nsp	nsp	RES.	270K OHM 1/6W J CARBON CRD20TJ274T
MAIN	R944		nsp	nsp	RES.	270K OHM 1/6W J CARBON CRD20TJ274T
MAIN	R945		nsp	nsp	RES.	270K OHM 1/6W J CARBON CRD20TJ274T
MAIN	RY60		943681008220S	943681008220S	RELAY	OMI-SH-212LX CSL4A017ZE
MAIN	RY61		943682000800S	943682000800S	RELAY	G5PA-28-MC DC24V CSL3B014ZE
MAIN	RY62		00MLY10090010	00MLY10090010	RELAY	! SDT-S-109DMR HSL1D016ZE
MAIN	RY63		943682000800S	943682000800S	RELAY	G5PA-28-MC DC24V CSL3B014ZE
MAIN	T600	N1B	943101008230M	943101008230M	TRANS	SUB SR5004/6004 EUR CLT5I011YE
MAIN	T600	/N1SG	943101008230M	943101008230M	TRANS	SUB SR5004/6004 EUR CLT5I011YE
MAIN	T600	K1SG	nsp	943101008250M	TRANS	SUB SR5004/6004 CHINA CLT5I011YH
MAIN	T600	U1B	nsp	943101008240M	TRANS	SUB SR5004/6004 USA CLT5I011YU
MAIN	T600	FB	nsp	943101008260M	TRANS	SUB SR5004/6004 JAPAN CLT5I011YJ
MAIN	TH60		90M-HP000090R	90M-HP000090R	VARIATOR	POSISTOR ASSY CRTSYSPX06850JD
MAIN	VR60		90M-RA001100R	90M-RA001100R	TRIM. RES.	220 OHM CVN1RA221B02T
MAIN	VR61		90M-RA001100R	90M-RA001100R	TRIM. RES.	220 OHM CVN1RA221B02T
MAIN	VR62		90M-RA001100R	90M-RA001100R	TRIM. RES.	220 OHM CVN1RA221B02T
MAIN	VR63		90M-RA001100R	90M-RA001100R	TRIM. RES.	220 OHM CVN1RA221B02T
MAIN	VR64		90M-RA001100R	90M-RA001100R	TRIM. RES.	220 OHM CVN1RA221B02T
MAIN	VR65		90M-RA001100R	90M-RA001100R	TRIM. RES.	220 OHM CVN1RA221B02T
MAIN	VR66		90M-RA001100R	90M-RA001100R	TRIM. RES.	220 OHM CVN1RA221B02T
HDMI PWB ASS'Y (COP12207)						
					CORD	2P WIRE ASSY 50MM
HDMI	BN99		nsp	nsp	CORD	2P WIRE ASSY 50MM CWB1B902050NN001
HDMI	C101		nsp	00MDK96104300	CER. CAP.	0.1UF 50V K CCUS1H104KC
HDMI	C102		nsp	00MDK96104300	CER. CAP.	0.1UF 50V K CCUS1H104KC
HDMI	C103		nsp	00MDK96104300	CER. CAP.	0.1UF 50V K CCUS1H104KC
HDMI	C104		943139008270S	943139008270S	CER. CAP.	0.1UF 16V CCUI1C104KC
HDMI	C105		943139008270S	943139008270S	CER. CAP.	0.1UF 16V CCUI1C104KC
HDMI	C106		943139008270S	943139008270S	CER. CAP.	0.1UF 16V CCUI1C104KC
HDMI	C107		943139008270S	943139008270S	CER. CAP.	0.1UF 16V CCUI1C104KC
HDMI	C108		943139008270S	943139008270S	CER. CAP.	0.1UF 16V CCUI1C104KC
HDMI	C109		943139008270S	943139008270S	CER. CAP.	0.1UF 16V CCUI1C104KC
HDMI	C110		943139008270S	943139008270S	CER. CAP.	0.1UF 16V CCUI1C104KC
HDMI	C111		00MOA47602520	00MOA47602520	ELECT CAP.	47UF 25V CCEA1EH470T
HDMI	C112		nsp	00MDK96104300	CER. CAP.	0.1UF 50V K CCUS1H104KC
HDMI	C113		943139008270S	943139008270S	CER. CAP.	0.1UF 16V CCUI1C104KC
HDMI	C114		943139008270S	943139008270S	CER. CAP.	0.1UF 16V CCUI1C104KC
HDMI	C115		943139008270S	943139008270S	CER. CAP.	0.1UF 16V CCUI1C104KC
HDMI	C116		943139008270S	943139008270S	CER. CAP.	0.1UF 16V CCUI1C104KC
HDMI	C117		nsp	00MDK96104300	CER. CAP.	0.1UF 50V K CCUS1H104KC

P.W.B. NAME	POS. NO.	VERS. COLOR	PART NO. (FOR EUR)	PART NO. (MZ)	PART NAME	DESCRIPTION
HDMI	C118		00MOA47602520	00MOA47602520	ELECT CAP.	47UF 25V CCEA1EH470T
HDMI	C119		nsp	00MDK96104300	CER. CAP.	0.1UF 50V K CCUS1H104KC
HDMI	C120		00MOA47602520	00MOA47602520	ELECT CAP.	47UF 25V CCEA1EH470T
HDMI	C121		943139008270S	943139008270S	CER. CAP.	0.1UF 16V CCUI1C104KC
HDMI	C122		943139008270S	943139008270S	CER. CAP.	0.1UF 16V CCUI1C104KC
SW	△C123	N1B	nsp	00MDK96104300	CER. CAP.	0.1UF 50V K CCUS1H104KC
SW	△C123	/N1SG	nsp	00MDK96104300	CER. CAP.	0.1UF 50V K CCUS1H104KC
SW	△C123	/K1SG	nsp	00MDK96104300	CER. CAP.	0.1UF 50V K CCUS1H104KC
HDMI	C125		nsp	00MDK96104300	CER. CAP.	0.1UF 50V K CCUS1H104KC
HDMI	C126		nsp	00MDK96104300	CER. CAP.	0.1UF 50V K CCUS1H104KC
HDMI	C127		nsp	00MDK96104300	CER. CAP.	0.1UF 50V K CCUS1H104KC
HDMI	C128		nsp	00MDK96104300	CER. CAP.	0.1UF 50V K CCUS1H104KC
HDMI	C201		00MOA47602520	00MOA47602520	ELECT CAP.	47UF 25V CCEA1EH470T
HDMI	C202		nsp	00MDK96104300	CER. CAP.	0.1UF 50V K CCUS1H104KC
HDMI	C203		00MOA47602520	00MOA47602520	ELECT CAP.	47UF 25V CCEA1EH470T
HDMI	C204		nsp	00MDK96104300	CER. CAP.	0.1UF 50V K CCUS1H104KC
HDMI	C205		nsp	00MDK96104300	CER. CAP.	0.1UF 50V K CCUS1H104KC
HDMI	C206		nsp	00MDK96104300	CER. CAP.	0.1UF 50V K CCUS1H104KC
HDMI	C207		nsp	00MDK96104300	CER. CAP.	0.1UF 50V K CCUS1H104KC
HDMI	C208		nsp	00MDK96104300	CER. CAP.	0.1UF 50V K CCUS1H104KC
HDMI	C209		nsp	00MDK96104300	CER. CAP.	0.1UF 50V K CCUS1H104KC
HDMI	C210		nsp	00MDK96104300	CER. CAP.	0.1UF 50V K CCUS1H104KC
HDMI	C211		nsp	00MDK96104300	CER. CAP.	0.1UF 50V K CCUS1H104KC
HDMI	C212		nsp	00MDK96104300	CER. CAP.	0.1UF 50V K CCUS1H104KC
HDMI	C213		nsp	00MDK96104300	CER. CAP.	0.1UF 50V K CCUS1H104KC
HDMI	C214		nsp	00MDK96104300	CER. CAP.	0.1UF 50V K CCUS1H104KC
HDMI	C215		nsp	00MDK96104300	CER. CAP.	0.1UF 50V K CCUS1H104KC
HDMI	C216		00MOA47602520	00MOA47602520	ELECT CAP.	47UF 25V CCEA1EH470T
HDMI	C217		nsp	00MDK96104300	CER. CAP.	0.1UF 50V K CCUS1H104KC
HDMI	C218		nsp	00MDK96104300	CER. CAP.	0.1UF 50V K CCUS1H104KC
HDMI	C219		nsp	00MDK96104300	CER. CAP.	0.1UF 50V K CCUS1H104KC
HDMI	C220		nsp	00MDK96104300	CER. CAP.	0.1UF 50V K CCUS1H104KC
HDMI	C221		nsp	00MDK96104300	CER. CAP.	0.1UF 50V K CCUS1H104KC
HDMI	C222		nsp	00MDD95270300	CER. CAP.	27PF 50V JA CCUS1H270JA
HDMI	C223		nsp	00MDD95270300	CER. CAP.	27PF 50V JA CCUS1H270JA
HDMI	C224		nsp	00MDK96104300	CER. CAP.	0.1UF 50V K CCUS1H104KC
HDMI	C225		00MOA47602520	00MOA47602520	ELECT CAP.	47UF 25V CCEA1EH470T
HDMI	C226		nsp	00MDK96104300	CER. CAP.	0.1UF 50V K CCUS1H104KC
HDMI	C227		00MOA47602520	00MOA47602520	ELECT CAP.	47UF 25V CCEA1EH470T
HDMI	C228		nsp	00MDK96104300	CER. CAP.	0.1UF 50V K CCUS1H104KC
HDMI	C229		nsp	00MDK96104300	CER. CAP.	0.1UF 50V K CCUS1H104KC
HDMI	C230		nsp	00MDK96104300	CER. CAP.	0.1UF 50V K CCUS1H104KC
HDMI	C231		nsp	00MDK96104300	CER. CAP.	0.1UF 50V K CCUS1H104KC
HDMI	C232		nsp	00MDK96104300	CER. CAP.	0.1UF 50V K CCUS1H104KC
HDMI	C233		nsp	00MDK96104300	CER. CAP.	0.1UF 50V K CCUS1H104KC
HDMI	C234		nsp	00MDK96104300	CER. CAP.	0.1UF 50V K CCUS1H104KC
HDMI	C235		nsp	00MDK96104300	CER. CAP.	0.1UF 50V K CCUS1H104KC
HDMI	C236		nsp	00MDK96104300	CER. CAP.	0.1UF 50V K CCUS1H104KC
HDMI	C237		nsp	00MDK96104300	CER. CAP.	0.1UF 50V K CCUS1H104KC
HDMI	C238		00MOA47602520	00MOA47602520	ELECT CAP.	47UF 25V CCEA1EH470T
HDMI	C239		nsp	00MDK96104300	CER. CAP.	0.1UF 50V K CCUS1H104KC
HDMI	C240		00MOA47602520	00MOA47602520	ELECT CAP.	47UF 25V CCEA1EH470T
HDMI	C241		nsp	00MDK96104300	CER. CAP.	0.1UF 50V K CCUS1H104KC
HDMI	C242		nsp	00MDK96104300	CER. CAP.	0.1UF 50V K CCUS1H104KC
HDMI	C243		nsp	00MDK96104300	CER. CAP.	0.1UF 50V K CCUS1H104KC

P.W.B. NAME	POS. NO.	VERS. COLOR	PART NO. (FOR EUR)	PART NO. (MZ)	PART NAME	DESCRIPTION
HDMI	C244		nsp	00MDK96104300	CER. CAP.	0.1UF 50V K CCUS1H104KC
HDMI	C245		nsp	00MDK96104300	CER. CAP.	0.1UF 50V K CCUS1H104KC
HDMI	C246		nsp	00MDK96104300	CER. CAP.	0.1UF 50V K CCUS1H104KC
HDMI	C249		00MOA47602520	00MOA47602520	ELECT CAP.	47UF 25V CCEA1EH470T
HDMI	C250		nsp	00MDK96104300	CER. CAP.	0.1UF 50V K CCUS1H104KC
HDMI	C251		00MOA47602520	00MOA47602520	ELECT CAP.	47UF 25V CCEA1EH470T
HDMI	C252		nsp	00MDK96104300	CER. CAP.	0.1UF 50V K CCUS1H104KC
HDMI	C254		nsp	00MDK96104300	CER. CAP.	0.1UF 50V K CCUS1H104KC
HDMI	C255		nsp	00MDK96104300	CER. CAP.	0.1UF 50V K CCUS1H104KC
HDMI	C256		nsp	00MDK96104300	CER. CAP.	0.1UF 50V K CCUS1H104KC
HDMI	C257		nsp	00MDK96104300	CER. CAP.	0.1UF 50V K CCUS1H104KC
HDMI	C258		nsp	00MDK96104300	CER. CAP.	0.1UF 50V K CCUS1H104KC
HDMI	C259		00MOA47602520	00MOA47602520	ELECT CAP.	47UF 25V CCEA1EH470T
HDMI	C260		nsp	00MDK96104300	CER. CAP.	0.1UF 50V K CCUS1H104KC
HDMI	C261		00MOA47602520	00MOA47602520	ELECT CAP.	47UF 25V CCEA1EH470T
HDMI	C262		nsp	00MDK96104300	CER. CAP.	0.1UF 50V K CCUS1H104KC
HDMI	C263		00MOA47602520	00MOA47602520	ELECT CAP.	47UF 25V CCEA1EH470T
HDMI	C266		nsp	00MDK96104300	CER. CAP.	0.1UF 50V K CCUS1H104KC
HDMI	C267		00MOA47602520	00MOA47602520	ELECT CAP.	47UF 25V CCEA1EH470T
HDMI	C268		nsp	00MDK96104300	CER. CAP.	0.1UF 50V K CCUS1H104KC
HDMI	C269		nsp	00MDK96104300	CER. CAP.	0.1UF 50V K CCUS1H104KC
HDMI	C271		nsp	00MDK96104300	CER. CAP.	0.1UF 50V K CCUS1H104KC
HDMI	C272		nsp	00MDK96104300	CER. CAP.	0.1UF 50V K CCUS1H104KC
HDMI	C273		nsp	00MDK96104300	CER. CAP.	0.1UF 50V K CCUS1H104KC
HDMI	C274		nsp	00MDK96104300	CER. CAP.	0.1UF 50V K CCUS1H104KC
HDMI	C275		nsp	00MDK96104300	CER. CAP.	0.1UF 50V K CCUS1H104KC
HDMI	C276		nsp	00MDK96104300	CER. CAP.	0.1UF 50V K CCUS1H104KC
HDMI	C277		nsp	00MDK96104300	CER. CAP.	0.1UF 50V K CCUS1H104KC
HDMI	C278		nsp	00MDK96104300	CER. CAP.	0.1UF 50V K CCUS1H104KC
HDMI	C279		nsp	00MDK96104300	CER. CAP.	0.1UF 50V K CCUS1H104KC
HDMI	C280		nsp	00MDK96104300	CER. CAP.	0.1UF 50V K CCUS1H104KC
HDMI	C282		nsp	00MDK96104300	CER. CAP.	0.1UF 50V K CCUS1H104KC
HDMI	C283		nsp	00MDK96104300	CER. CAP.	0.1UF 50V K CCUS1H104KC
HDMI	C284		nsp	00MDK96104300	CER. CAP.	0.1UF 50V K CCUS1H104KC
HDMI	C285		nsp	00MDK96104300	CER. CAP.	0.1UF 50V K CCUS1H104KC
HDMI	C286		nsp	00MDK96104300	CER. CAP.	0.1UF 50V K CCUS1H104KC
HDMI	C301		nsp	00MDK96104300	CER. CAP.	0.1UF 50V K CCUS1H104KC
HDMI	C305		nsp	00MDK96104300	CER. CAP.	0.1UF 50V K CCUS1H104KC
HDMI	C306		nsp	00MDK96104300	CER. CAP.	0.1UF 50V K CCUS1H104KC
HDMI	C307		nsp	00MDK96104300	CER. CAP.	0.1UF 50V K CCUS1H104KC
HDMI	C308		nsp	00MDK96104300	CER. CAP.	0.1UF 50V K CCUS1H104KC
HDMI	C309		nsp	00MDK96104300	CER. CAP.	0.1UF 50V K CCUS1H104KC
HDMI	C310		nsp	00MDK96104300	CER. CAP.	0.1UF 50V K CCUS1H104KC
HDMI	C311		nsp	00MDK96102300	CER. CAP.	1000PF 50V KC CCUS1H102KC
HDMI	C312		nsp	00MDK96104300	CER. CAP.	0.1UF 50V K CCUS1H104KC
HDMI	C315		nsp	00MDK96104300	CER. CAP.	0.1UF 50V K CCUS1H104KC
HDMI	C316		nsp	00MDK96104300	CER. CAP.	0.1UF 50V K CCUS1H104KC
HDMI	C317		nsp	00MDK96104300	CER. CAP.	0.1UF 50V K CCUS1H104KC
HDMI	C318		nsp	00MDK96104300	CER. CAP.	0.1UF 50V K CCUS1H104KC
HDMI	C319		nsp	00MDK96104300	CER. CAP.	0.1UF 50V K CCUS1H104KC
HDMI	C320		nsp	00MDD95270300	CER. CAP.	27PF 50V JA CCUS1H270JA
HDMI	C321		nsp	00MDD95220300	CER. CAP.	22PF 50V JA CCUS1H220JA
HDMI	C322		nsp	00MDK96104300	CER. CAP.	0.1UF 50V K CCUS1H104KC
HDMI	C323		90M-DK900100R	90M-DK900100R	CER. CAP.	0.082UF 50V K CCUS1H823KC
HDMI	C324		nsp	00MDK96103300	CER. CAP.	0.01UF 50V KC CCUS1H103KC

P.W.B. NAME	POS. NO.	VERS. COLOR	PART NO. (FOR EUR)	PART NO. (MZ)	PART NAME	DESCRIPTION
HDMI	C325		nsp	00MDK96104300	CER. CAP.	0.1UF 50V K CCUS1H104KC
HDMI	C329		90M-EQ000040R	90M-EQ000040R	ELECT CAP.	10UF 25V NON-POLAR CCEA1EN100T
HDMI	C330		nsp	00MDK96104300	CER. CAP.	0.1UF 50V K CCUS1H104KC
HDMI	C331		nsp	00MDK96103300	CER. CAP.	0.01UF 50V KC CCUS1H103KC
HDMI	C332		nsp	00MDK96104300	CER. CAP.	0.1UF 50V K CCUS1H104KC
HDMI	C333		00MOA10701620	00MOA10701620	ELECT CAP.	100UF 16V CCEA1CH101T
HDMI	C334		nsp	00MDK96104300	CER. CAP.	0.1UF 50V K CCUS1H104KC
HDMI	C335		00MOA10605020	00MOA10605020	ELECT CAP.	10UF 50V CCEA1HH100T
HDMI	C336		nsp	00MDK96104300	CER. CAP.	0.1UF 50V K CCUS1H104KC
HDMI	C337		00MOA10605020	00MOA10605020	ELECT CAP.	10UF 50V CCEA1HH100T
HDMI	C338		nsp	00MDK96104300	CER. CAP.	0.1UF 50V K CCUS1H104KC
HDMI	C339		90M-EQ000040R	90M-EQ000040R	ELECT CAP.	10UF 25V NON-POLAR CCEA1EN100T
HDMI	C340		nsp	00MDK96104300	CER. CAP.	0.1UF 50V K CCUS1H104KC
HDMI	C341		nsp	00MDK96103300	CER. CAP.	0.01UF 50V KC CCUS1H103KC
HDMI	C342		nsp	00MDK96154200	CER. CAP.	0.15UF +- 10% B 10V CCUS1C154KC
HDMI	C343		nsp	00MDK96123200	CER. CAP.	GRM188R11H123KA01D CCUS1H123KC
HDMI	C344		nsp	00MDK96154200	CER. CAP.	0.15UF +- 10% B 10V CCUS1C154KC
HDMI	C345		nsp	00MDK96123200	CER. CAP.	GRM188R11H123KA01D CCUS1H123KC
HDMI	C346		nsp	00MDK96104300	CER. CAP.	0.1UF 50V K CCUS1H104KC
HDMI	C347		00MOA10701620	00MOA10701620	ELECT CAP.	100UF 16V CCEA1CH101T
HDMI	C348		943139008280S	943139008280S	CER. CAP.	2200PF 50V K CCUS1H222KC
HDMI	C349		nsp	00MDK96104300	CER. CAP.	0.1UF 50V K CCUS1H104KC
HDMI	C350		943139008280S	943139008280S	CER. CAP.	2200PF 50V K CCUS1H222KC
HDMI	C351		nsp	00MDK96104300	CER. CAP.	0.1UF 50V K CCUS1H104KC
HDMI	C352		00MOA10701620	00MOA10701620	ELECT CAP.	100UF 16V CCEA1CH101T
HDMI	C353		nsp	00MDK96104300	CER. CAP.	0.1UF 50V K CCUS1H104KC
HDMI	C354		00MOA10701620	00MOA10701620	ELECT CAP.	100UF 16V CCEA1CH101T
HDMI	C355		nsp	00MDK96104300	CER. CAP.	0.1UF 50V K CCUS1H104KC
HDMI	C356		nsp	00MDK96104300	CER. CAP.	0.1UF 50V K CCUS1H104KC
HDMI	C357		nsp	00MDK96104300	CER. CAP.	0.1UF 50V K CCUS1H104KC
HDMI	C358		00MOA10701620	00MOA10701620	ELECT CAP.	100UF 16V CCEA1CH101T
HDMI	C361		00MOA10505020	00MOA10505020	ELECT CAP.	1UF 50V CCEA1HH1R0T
HDMI	C362		00MOA10505020	00MOA10505020	ELECT CAP.	1UF 50V CCEA1HH1R0T
HDMI	C363		nsp	00MDK96104300	CER. CAP.	0.1UF 50V K CCUS1H104KC
HDMI	C364		nsp	00MDK96104300	CER. CAP.	0.1UF 50V K CCUS1H104KC
HDMI	C369		00MOA10701620	00MOA10701620	ELECT CAP.	100UF 16V CCEA1CH101T
HDMI	C370		00D9430045908	00D9430045908	ELECT CAP.	22UF 16V CCEA1CH220T
HDMI	C375		943139008270S	943139008270S	CER. CAP.	0.1UF 16V CCUI1C104KC
HDMI	C376		00MOA10701620	00MOA10701620	ELECT CAP.	100UF 16V CCEA1CH101T
HDMI	C377		nsp	00MDK96104300	CER. CAP.	0.1UF 50V K CCUS1H104KC
HDMI	C378		943139008270S	943139008270S	CER. CAP.	0.1UF 16V CCUI1C104KC
HDMI	C379		943139008270S	943139008270S	CER. CAP.	0.1UF 16V CCUI1C104KC
HDMI	C380		943139008270S	943139008270S	CER. CAP.	0.1UF 16V CCUI1C104KC
HDMI	C396		nsp	00MDK96104300	CER. CAP.	0.1UF 50V K CCUS1H104KC
HDMI	C397		nsp	00MDK96104300	CER. CAP.	0.1UF 50V K CCUS1H104KC
HDMI	C399		nsp	00MDK96104300	CER. CAP.	0.1UF 50V K CCUS1H104KC
HDMI	C400		nsp	00MDK96104300	CER. CAP.	0.1UF 50V K CCUS1H104KC
HDMI	C402		nsp	00MDK96104300	CER. CAP.	0.1UF 50V K CCUS1H104KC
HDMI	C403		nsp	00MDK96104300	CER. CAP.	0.1UF 50V K CCUS1H104KC
HDMI	C404		nsp	00MDK96104300	CER. CAP.	0.1UF 50V K CCUS1H104KC
HDMI	C406		nsp	00MDK96104300	CER. CAP.	0.1UF 50V K CCUS1H104KC
HDMI	C409		00MOA10701620	00MOA10701620	ELECT CAP.	100UF 16V CCEA1CH101T
HDMI	C410		nsp	00MDK96104300	CER. CAP.	0.1UF 50V K CCUS1H104KC
HDMI	C411		943139008270S	943139008270S	CER. CAP.	0.1UF 16V CCUI1C104KC
HDMI	C412		943139008270S	943139008270S	CER. CAP.	0.1UF 16V CCUI1C104KC

P.W.B. NAME	POS. NO.	VERS. COLOR	PART NO. (FOR EUR)	PART NO. (MZ)	PART NAME	DESCRIPTION
HDMI	C496		nsp	00MDK96104300	CER. CAP.	0.1UF 50V K CCUS1H104KC
HDMI	C497		00MOA10702520	00MOA10702520	ELECT CAP.	100UF 25V CCEA1EH101T
HDMI	C498		00MOA10701620	00MOA10701620	ELECT CAP.	100UF 16V CCEA1CH101T
HDMI	C499		nsp	00MDK96104300	CER. CAP.	0.1UF 50V K CCUS1H104KC
HDMI	C500		nsp	00MDK96104300	CER. CAP.	0.1UF 50V K CCUS1H104KC
HDMI	C501		00MOA10701620	00MOA10701620	ELECT CAP.	100UF 16V CCEA1CH101T
HDMI	C502		nsp	00MDK96104300	CER. CAP.	0.1UF 50V K CCUS1H104KC
HDMI	C503		nsp	00MDK96104300	CER. CAP.	0.1UF 50V K CCUS1H104KC
HDMI	C504		nsp	00MDK96104300	CER. CAP.	0.1UF 50V K CCUS1H104KC
HDMI	C505		nsp	00MDK96104300	CER. CAP.	0.1UF 50V K CCUS1H104KC
HDMI	C506		nsp	00MDK96104300	CER. CAP.	0.1UF 50V K CCUS1H104KC
HDMI	C507		nsp	00MDK96104300	CER. CAP.	0.1UF 50V K CCUS1H104KC
HDMI	C508		nsp	00MDK96104300	CER. CAP.	0.1UF 50V K CCUS1H104KC
HDMI	C509		nsp	00MDK96104300	CER. CAP.	0.1UF 50V K CCUS1H104KC
HDMI	C510		nsp	00MDK96104300	CER. CAP.	0.1UF 50V K CCUS1H104KC
HDMI	C511		nsp	00MDK96104300	CER. CAP.	0.1UF 50V K CCUS1H104KC
HDMI	C512		nsp	00MDK96104300	CER. CAP.	0.1UF 50V K CCUS1H104KC
HDMI	C513		nsp	00MDK96104300	CER. CAP.	0.1UF 50V K CCUS1H104KC
HDMI	C515		nsp	00MDK96104300	CER. CAP.	0.1UF 50V K CCUS1H104KC
HDMI	C516		nsp	00MDK96104300	CER. CAP.	0.1UF 50V K CCUS1H104KC
HDMI	C517		nsp	00MDK96104300	CER. CAP.	0.1UF 50V K CCUS1H104KC
HDMI	C518		nsp	00MDK96104300	CER. CAP.	0.1UF 50V K CCUS1H104KC
HDMI	C519		nsp	00MDK96104300	CER. CAP.	0.1UF 50V K CCUS1H104KC
HDMI	C520		nsp	00MDK96104300	CER. CAP.	0.1UF 50V K CCUS1H104KC
HDMI	C521		nsp	00MDK96104300	CER. CAP.	0.1UF 50V K CCUS1H104KC
HDMI	C531		nsp	00MDK96104300	CER. CAP.	0.1UF 50V K CCUS1H104KC
HDMI	C532		90M-DK900090R	90M-DK900090R	CER. CAP.	1UF 10V KC CCUS1A105KC
HDMI	C533		nsp	00MDK96104300	CER. CAP.	0.1UF 50V K CCUS1H104KC
HDMI	C543		nsp	00MDK96104300	CER. CAP.	0.1UF 50V K CCUS1H104KC
HDMI	C544		90M-DK900090R	90M-DK900090R	CER. CAP.	1UF 10V K CCUS1A105KC
HDMI	C545		nsp	00MDK96104300	CER. CAP.	0.1UF 50V K CCUS1H104KC
HDMI	C546		nsp	00MDK96104300	CER. CAP.	0.1UF 50V K CCUS1H104KC
HDMI	C599		nsp	00MDK96104300	CER. CAP.	0.1UF 50V K CCUS1H104KC
HDMI	C601		nsp	00MDK96104300	CER. CAP.	0.1UF 50V K CCUS1H104KC
HDMI	C602		nsp	00MDK96104300	CER. CAP.	0.1UF 50V K CCUS1H104KC
HDMI	C603		nsp	00MDK96104300	CER. CAP.	0.1UF 50V K CCUS1H104KC
HDMI	C604		nsp	00MDD95120300	CER. CAP.	12PF 50V JA CCUS1H120JA
HDMI	C605		nsp	00MDD95120300	CER. CAP.	12PF 50V JA CCUS1H120JA
HDMI	C606		00MOA10701620	00MOA10701620	ELECT CAP.	100UF 16V CCEA1CH101T
HDMI	C607		nsp	00MDK96104300	CER. CAP.	0.1UF 50V K CCUS1H104KC
HDMI	C608		nsp	00MDK96104300	CER. CAP.	0.1UF 50V K CCUS1H104KC
HDMI	C609		00MOA10701620	00MOA10701620	ELECT CAP.	100UF 16V CCEA1CH101T
HDMI	C610		00MOA10701620	00MOA10701620	ELECT CAP.	100UF 16V CCEA1CH101T
HDMI	C611		nsp	00MDK96104300	CER. CAP.	0.1UF 50V K CCUS1H104KC
HDMI	C612		nsp	00MDK96104300	CER. CAP.	0.1UF 50V K CCUS1H104KC
HDMI	C613		00MOA10701620	00MOA10701620	ELECT CAP.	100UF 16V CCEA1CH101T
HDMI	C614		00MOA10701620	00MOA10701620	ELECT CAP.	100UF 16V CCEA1CH101T
HDMI	C615		nsp	00MDK96104300	CER. CAP.	0.1UF 50V K CCUS1H104KC
HDMI	C616		nsp	00MDK96104300	CER. CAP.	0.1UF 50V K CCUS1H104KC
HDMI	C617		00MOA10701620	00MOA10701620	ELECT CAP.	100UF 16V CCEA1CH101T
HDMI	C618		00MOA10701620	00MOA10701620	ELECT CAP.	100UF 16V CCEA1CH101T
HDMI	C619		nsp	00MDK96104300	CER. CAP.	0.1UF 50V K CCUS1H104KC
HDMI	C620		nsp	00MDK96104300	CER. CAP.	0.1UF 50V K CCUS1H104KC
HDMI	C621		00MOA10701620	00MOA10701620	ELECT CAP.	100UF 16V CCEA1CH101T
HDMI	C622		nsp	00MDK96104300	CER. CAP.	0.1UF 50V K CCUS1H104KC

P.W.B. NAME	POS. NO.	VERS. COLOR	PART NO. (FOR EUR)	PART NO. (MZ)	PART NAME	DESCRIPTION
HDMI	C623		nsp	00MDK96104300	CER. CAP.	0.1UF 50V K CCUS1H104KC
HDMI	C624		00MOA10701620	00MOA10701620	ELECT CAP.	100UF 16V CCEA1CH101T
HDMI	C625		nsp	00MDK96104300	CER. CAP.	0.1UF 50V K CCUS1H104KC
HDMI	C626		00MOA10701620	00MOA10701620	ELECT CAP.	100UF 16V CCEA1CH101T
HDMI	C627		nsp	00MDK96104300	CER. CAP.	0.1UF 50V K CCUS1H104KC
HDMI	C628		nsp	00MDK96104300	CER. CAP.	0.1UF 50V K CCUS1H104KC
HDMI	C629		00MOA10701620	00MOA10701620	ELECT CAP.	100UF 16V CCEA1CH101T
HDMI	C630		nsp	00MDK96104300	CER. CAP.	0.1UF 50V K CCUS1H104KC
HDMI	C633		nsp	00MDK96104300	CER. CAP.	0.1UF 50V K CCUS1H104KC
HDMI	C634		nsp	00MDK96104300	CER. CAP.	0.1UF 50V K CCUS1H104KC
HDMI	C635		00MOA10701620	00MOA10701620	ELECT CAP.	100UF 16V CCEA1CH101T
HDMI	C636		nsp	00MDK96104300	CER. CAP.	0.1UF 50V K CCUS1H104KC
HDMI	C637		00MOA10701620	00MOA10701620	ELECT CAP.	100UF 16V CCEA1CH101T
HDMI	C638		nsp	00MDK96104300	CER. CAP.	0.1UF 50V K CCUS1H104KC
HDMI	C639		nsp	00MDK96104300	CER. CAP.	0.1UF 50V K CCUS1H104KC
HDMI	C640		00MOA10701620	00MOA10701620	ELECT CAP.	100UF 16V CCEA1CH101T
HDMI	C641		00MOA10701620	00MOA10701620	ELECT CAP.	100UF 16V CCEA1CH101T
HDMI	C642		nsp	00MDK96104300	CER. CAP.	0.1UF 50V K CCUS1H104KC
HDMI	C643		nsp	00MDK96104300	CER. CAP.	0.1UF 50V K CCUS1H104KC
HDMI	C644		00MOA10701620	00MOA10701620	ELECT CAP.	100UF 16V CCEA1CH101T
HDMI	C647		00MOA10701620	00MOA10701620	ELECT CAP.	100UF 16V CCEA1CH101T
HDMI	C648		nsp	00MDK96104300	CER. CAP.	0.1UF 50V K CCUS1H104KC
HDMI	C649		nsp	00MDK96104300	CER. CAP.	0.1UF 50V K CCUS1H104KC
HDMI	C655		nsp	00MDK96104300	CER. CAP.	0.1UF 50V K CCUS1H104KC
HDMI	C656		nsp	00MDD95180300	CER. CAP.	18PF 50V JA CCUS1H180JA
HDMI	C657		nsp	00MDD95180300	CER. CAP.	18PF 50V JA CCUS1H180JA
HDMI	C658		nsp	00MDK96104300	CER. CAP.	0.1UF 50V K CCUS1H104KC
HDMI	C659		00MOA10701620	00MOA10701620	ELECT CAP.	100UF 16V CCEA1CH101T
HDMI	C660		00MOA10701620	00MOA10701620	ELECT CAP.	100UF 16V CCEA1CH101T
HDMI	C661		nsp	00MDK96104300	CER. CAP.	0.1UF 50V K CCUS1H104KC
HDMI	C662		nsp	00MDK96104300	CER. CAP.	0.1UF 50V K CCUS1H104KC
HDMI	C663		00MOA10701620	00MOA10701620	ELECT CAP.	100UF 16V CCEA1CH101T
HDMI	C664		00D9430101208	00D9430101208	ELECT CAP.	100UF 16V 105Aé CCEA1CH101TS
HDMI	C665		nsp	00MDK96104300	CER. CAP.	0.1UF 50V K CCUS1H104KC
HDMI	C666		nsp	00MDK96104300	CER. CAP.	0.1UF 50V K CCUS1H104KC
HDMI	C667		00D9430101208	00D9430101208	ELECT CAP.	100UF 16V 105Aé CCEA1CH101TS
HDMI	C668		nsp	00MDK96104300	CER. CAP.	0.1UF 50V K CCUS1H104KC
HDMI	C671		nsp	00MDK96104300	CER. CAP.	0.1UF 50V K CCUS1H104KC
HDMI	C672		nsp	00MDK96104300	CER. CAP.	0.1UF 50V K CCUS1H104KC
HDMI	C673		00MOA10701620	00MOA10701620	ELECT CAP.	100UF 16V CCEA1CH101T
HDMI	C674		00MOA10701620	00MOA10701620	ELECT CAP.	100UF 16V CCEA1CH101T
HDMI	C675		nsp	00MDK96104300	CER. CAP.	0.1UF 50V K CCUS1H104KC
HDMI	C676		nsp	00MDK96104300	CER. CAP.	0.1UF 50V K CCUS1H104KC
HDMI	C677		00D9430101208	00D9430101208	ELECT CAP.	100UF 16V 105Aé CCEA1CH101TS
HDMI	C678		00MOA10701620	00MOA10701620	ELECT CAP.	100UF 16V CCEA1CH101T
HDMI	C679		nsp	00MDK96104300	CER. CAP.	0.1UF 50V K CCUS1H104KC
HDMI	C680		nsp	00MDK96104300	CER. CAP.	0.1UF 50V K CCUS1H104KC
HDMI	C681		00MOA10701620	00MOA10701620	ELECT CAP.	100UF 16V CCEA1CH101T
HDMI	C684		nsp	00MDK96104300	CER. CAP.	0.1UF 50V K CCUS1H104KC
HDMI	C685		943139008290S	943139008290S	CER. CAP.	NOJA106M010RWJ CCSOA1A100B
HDMI	C686		943139008290S	943139008290S	CER. CAP.	NOJA106M010RWJ CCSOA1A100B
HDMI	C701		nsp	00MDK96104300	CER. CAP.	0.1UF 50V K CCUS1H104KC
HDMI	C703		nsp	00MDK96104300	CER. CAP.	0.1UF 50V K CCUS1H104KC
HDMI	C800		nsp	00MDK96473300	CER. CAP.	0.043UF 50V KC CCUS1H473KC
HDMI	C801		nsp	00MDD95270300	CER. CAP.	27PF 50V JA CCUS1H270JA

P.W.B. NAME	POS. NO.	VERS. COLOR	PART NO. (FOR EUR)	PART NO. (MZ)	PART NAME	DESCRIPTION
HDMI	C802		nsp	00MDD95221300	CER. CAP.	220PF 50V JA CCUS1H221JA
HDMI	C803		nsp	00MDD95221300	CER. CAP.	220PF 50V JA CCUS1H221JA
HDMI	C804		nsp	00MDD95221300	CER. CAP.	220PF 50V JA CCUS1H221JA
HDMI	C805		nsp	00MDD95221300	CER. CAP.	220PF 50V JA CCUS1H221JA
HDMI	C806		nsp	00MDD95180300	CER. CAP.	18PF 50V JA CCUS1H180JA
HDMI	C811		nsp	00MDK96473300	CER. CAP.	0.043UF 50V KC CCUS1H473KC
HDMI	C812		nsp	00MDK96104300	CER. CAP.	0.1UF 50V K CCUS1H104KC
HDMI	C813		nsp	00MDK96104300	CER. CAP.	0.1UF 50V K CCUS1H104KC
HDMI	C814		nsp	00MDK96104300	CER. CAP.	0.1UF 50V K CCUS1H104KC
HDMI	C815		nsp	00MDK96104300	CER. CAP.	0.1UF 50V K CCUS1H104KC
HDMI	C816		nsp	00MDK96104300	CER. CAP.	0.1UF 50V K CCUS1H104KC
HDMI	C817		nsp	00MDK96104300	CER. CAP.	0.1UF 50V K CCUS1H104KC
HDMI	C818		nsp	00MDK96104300	CER. CAP.	0.1UF 50V K CCUS1H104KC
HDMI	C819		nsp	00MDK96104300	CER. CAP.	0.1UF 50V K CCUS1H104KC
HDMI	C820		nsp	00MDK96104300	CER. CAP.	0.1UF 50V K CCUS1H104KC
HDMI	C821		nsp	00MDK96104300	CER. CAP.	0.1UF 50V K CCUS1H104KC
HDMI	C822		nsp	00MDK96104300	CER. CAP.	0.1UF 50V K CCUS1H104KC
HDMI	C823		nsp	00MDK96104300	CER. CAP.	0.1UF 50V K CCUS1H104KC
HDMI	C824		nsp	00MDK96104300	CER. CAP.	0.1UF 50V K CCUS1H104KC
HDMI	C825		nsp	00MDK96104300	CER. CAP.	0.1UF 50V K CCUS1H104KC
HDMI	C826		nsp	00MDK96104300	CER. CAP.	0.1UF 50V K CCUS1H104KC
HDMI	C827		nsp	00MDK96103300	CER. CAP.	0.01UF 50V KC CCUS1H103KC
HDMI	C828		nsp	00MDK96103300	CER. CAP.	0.01UF 50V KC CCUS1H103KC
HDMI	C829		nsp	00MDK96103300	CER. CAP.	0.01UF 50V KC CCUS1H103KC
HDMI	C830		nsp	00MDK96103300	CER. CAP.	0.01UF 50V KC CCUS1H103KC
HDMI	C831		nsp	00MDK96103300	CER. CAP.	0.01UF 50V KC CCUS1H103KC
HDMI	C832		nsp	00MDK96103300	CER. CAP.	0.01UF 50V KC CCUS1H103KC
HDMI	C833		nsp	00MDK96103300	CER. CAP.	0.01UF 50V KC CCUS1H103KC
HDMI	C834		nsp	00MDK96103300	CER. CAP.	0.01UF 50V KC CCUS1H103KC
HDMI	C835		nsp	00MDK96102300	CER. CAP.	1000PF 50V KC CCUS1H102KC
HDMI	C836		nsp	00MDD95270300	CER. CAP.	27PF 50V JA CCUS1H270JA
HDMI	C837		00MOA10701620	00MOA10701620	ELECT CAP.	100UF 16V CCEA1CH101T
HDMI	C838		00MOA10701620	00MOA10701620	ELECT CAP.	100UF 16V CCEA1CH101T
HDMI	C840		nsp	00MDK96104300	CER. CAP.	0.1UF 50V K CCUS1H104KC
HDMI	C841		nsp	00MDK96104300	CER. CAP.	0.1UF 50V K CCUS1H104KC
HDMI	C842		nsp	00MDK96104300	CER. CAP.	0.01UF 50V KC CCUS1H104KC
HDMI	C843		nsp	00MDK96103300	CER. CAP.	0.01UF 50V KC CCUS1H103KC
HDMI	C844		nsp	00MDK96104300	CER. CAP.	0.1UF 50V K CCUS1H104KC
HDMI	C845		00MOA47602520	00MOA47602520	ELECT CAP.	47UF 25V CCEA1EH470T
HDMI	C846		00MOA10701620	00MOA10701620	ELECT CAP.	100UF 16V CCEA1CH101T
HDMI	C847		nsp	00MDK96104300	CER. CAP.	0.1UF 50V K CCUS1H104KC
HDMI	C848		nsp	00MDK96104300	CER. CAP.	0.1UF 50V K CCUS1H104KC
HDMI	C849		nsp	00MDK96104300	CER. CAP.	0.1UF 50V K CCUS1H104KC
HDMI	C850		nsp	00MDK96104300	CER. CAP.	0.1UF 50V K CCUS1H104KC
HDMI	C851		nsp	00MDK96104300	CER. CAP.	0.1UF 50V K CCUS1H104KC
HDMI	C852		nsp	00MDK96104300	CER. CAP.	0.1UF 50V K CCUS1H104KC
HDMI	C853		nsp	00MDK96104300	CER. CAP.	0.1UF 50V K CCUS1H104KC
HDMI	C854		nsp	00MDK96104300	CER. CAP.	0.1UF 50V K CCUS1H104KC
HDMI	C855		nsp	00MDK96104300	CER. CAP.	0.1UF 50V K CCUS1H104KC
HDMI	C856		nsp	00MDK96104300	CER. CAP.	0.1UF 50V K CCUS1H104KC
HDMI	C857		nsp	00MDK96104300	CER. CAP.	0.1UF 50V K CCUS1H104KC
HDMI	C858		nsp	00MDK96104300	CER. CAP.	0.1UF 50V K CCUS1H104KC
HDMI	C859		nsp	00MDK96104300	CER. CAP.	0.1UF 50V K CCUS1H104KC
HDMI	C860		nsp	00MDK96104300	CER. CAP.	0.1UF 50V K CCUS1H104KC
HDMI	C861		nsp	00MDK96104300	CER. CAP.	0.1UF 50V K CCUS1H104KC

P.W.B. NAME	POS. NO.	VERS. COLOR	PART NO. (FOR EUR)	PART NO. (MZ)	PART NAME	DESCRIPTION
HDMI	C862		nsp	00MDK96104300	CER. CAP.	0.1UF 50V K CCUS1H104KC
HDMI	C864		nsp	00MDK96104300	CER. CAP.	0.1UF 50V K CCUS1H104KC
HDMI	C865		nsp	00MDK96104300	CER. CAP.	0.1UF 50V K CCUS1H104KC
HDMI	C866		nsp	00MDK96104300	CER. CAP.	0.1UF 50V K CCUS1H104KC
HDMI	C867		nsp	00MDK96104300	CER. CAP.	0.1UF 50V K CCUS1H104KC
HDMI	C868		nsp	00MDK96104300	CER. CAP.	0.1UF 50V K CCUS1H104KC
HDMI	C869		nsp	00MDK96104300	CER. CAP.	0.1UF 50V K CCUS1H104KC
HDMI	C870		nsp	00MDK96104300	CER. CAP.	0.1UF 50V K CCUS1H104KC
HDMI	C871		nsp	00MDK96104300	CER. CAP.	0.1UF 50V K CCUS1H104KC
HDMI	C872		nsp	00MDK96104300	CER. CAP.	0.1UF 50V K CCUS1H104KC
HDMI	C873		nsp	00MDK96104300	CER. CAP.	0.1UF 50V K CCUS1H104KC
HDMI	C874		nsp	00MDK96104300	CER. CAP.	0.1UF 50V K CCUS1H104KC
HDMI	C875		nsp	00MDK96104300	CER. CAP.	0.1UF 50V K CCUS1H104KC
HDMI	C876		nsp	00MDK96104300	CER. CAP.	0.1UF 50V K CCUS1H104KC
HDMI	C877		nsp	00MDK96104300	CER. CAP.	0.1UF 50V K CCUS1H104KC
HDMI	C878		nsp	00MDK96104300	CER. CAP.	0.1UF 50V K CCUS1H104KC
HDMI	C879		nsp	00MDK96104300	CER. CAP.	0.1UF 50V K CCUS1H104KC
HDMI	C880		nsp	00MDK96104300	CER. CAP.	0.1UF 50V K CCUS1H104KC
HDMI	C881		nsp	00MDK96104300	CER. CAP.	0.1UF 50V K CCUS1H104KC
HDMI	C882		nsp	00MDK96104300	CER. CAP.	0.1UF 50V K CCUS1H104KC
HDMI	C883		nsp	00MDK96104300	CER. CAP.	0.1UF 50V K CCUS1H104KC
HDMI	C884		nsp	00MDK96104300	CER. CAP.	0.1UF 50V K CCUS1H104KC
HDMI	C885		nsp	00MDK96104300	CER. CAP.	0.1UF 50V K CCUS1H104KC
HDMI	C886		nsp	00MDK96103300	CER. CAP.	0.01UF 50V KC CCUS1H103KC
HDMI	C887		nsp	00MDK96102300	CER. CAP.	1000PF 50V KC CCUS1H102KC
HDMI	C892		nsp	00MDK96104300	CER. CAP.	0.1UF 50V K CCUS1H104KC
HDMI	C893		nsp	00MDK96104300	CER. CAP.	0.1UF 50V K CCUS1H104KC
HDMI	C894		nsp	00MDK96104300	CER. CAP.	0.1UF 50V K CCUS1H104KC
HDMI	C895		00MOA10701620	00MOA10701620	ELECT CAP.	100UF 16V CCEA1CH101T
HDMI	C897		nsp	00MDK96104300	CER. CAP.	0.1UF 50V K CCUS1H104KC
HDMI	C898		nsp	00MDK96104300	CER. CAP.	0.1UF 50V K CCUS1H104KC
HDMI	C901		nsp	00MDD95270300	CER. CAP.	27PF 50V JA CCUS1H270JA
HDMI	C902		nsp	00MDD95270300	CER. CAP.	27PF 50V JA CCUS1H270JA
HDMI	C903		nsp	00MDK96104300	CER. CAP.	0.1UF 50V K CCUS1H104KC
HDMI	C904		nsp	00MDK96104300	CER. CAP.	0.1UF 50V K CCUS1H104KC
HDMI	C905		nsp	00MDK96104300	CER. CAP.	0.1UF 50V K CCUS1H104KC
HDMI	C906		nsp	00MDD9515030R	CER. CAP.	15PF 50V JA CCUS1H150JA
HDMI	C907		nsp	00MDD9515030R	CER. CAP.	15PF 50V JA CCUS1H150JA
HDMI	C908		nsp	00MDK96104300	CER. CAP.	0.1UF 50V K CCUS1H104KC
HDMI	C909		nsp	00MDD95151300	CER. CAP.	150PF 50V JA CCUS1H151JA
HDMI	C910		nsp	00MDD95101300	CER. CAP.	100PF 50V JA CCUS1H101JA
HDMI	C911		nsp	00MDK96272300	CER. CAP.	2700PF 50V KC CCUS1H272KC
HDMI	C912		nsp	00MDK96272300	CER. CAP.	2700PF 50V KC CCUS1H272KC
HDMI	C913		nsp	00MDD95101300	CER. CAP.	100PF 50V JA CCUS1H101JA
HDMI	C914		nsp	00MDD95151300	CER. CAP.	150PF 50V JA CCUS1H151JA
HDMI	C915		nsp	00MDK96272300	CER. CAP.	2700PF 50V KC CCUS1H272KC
HDMI	C916		nsp	00MDK96272300	CER. CAP.	2700PF 50V KC CCUS1H272KC
HDMI	C917		nsp	00MDD95391370	CER. CAP.	390PF 50V JA CCUS1H391JA
HDMI	C918		nsp	00MDD95391370	CER. CAP.	390PF 50V JA CCUS1H391JA
HDMI	C919		nsp	00MDK96103300	CER. CAP.	0.01UF 50V KC CCUS1H103KC
HDMI	C920		nsp	00MDD95391370	CER. CAP.	390PF 50V JA CCUS1H391JA
HDMI	C921		nsp	00MDK96272300	CER. CAP.	2700PF 50V KC CCUS1H272KC
HDMI	C922		nsp	00MDK96272300	CER. CAP.	2700PF 50V KC CCUS1H272KC
HDMI	C923		nsp	00MDD95391370	CER. CAP.	390PF 50V JA CCUS1H391JA
HDMI	C924		nsp	00MDK96103300	CER. CAP.	0.01UF 50V KC CCUS1H103KC

P.W.B. NAME	POS. NO.	VERS. COLOR	PART NO. (FOR EUR)	PART NO. (MZ)	PART NAME	DESCRIPTION
HDMI	C925		nsp	00MDK96104300	CER. CAP.	0.1UF 50V K CCUS1H104KC
HDMI	C926		nsp	00MDK96104300	CER. CAP.	0.1UF 50V K CCUS1H104KC
HDMI	C927		nsp	00MDD95391370	CER. CAP.	390PF 50V JA CCUS1H391JA
HDMI	C928		nsp	00MDD95391370	CER. CAP.	390PF 50V JA CCUS1H391JA
HDMI	C929		nsp	00MDK96272300	CER. CAP.	2700PF 50V KC CCUS1H272KC
HDMI	C930		nsp	00MDK96272300	CER. CAP.	2700PF 50V KC CCUS1H272KC
HDMI	C931		nsp	00MDK96103300	CER. CAP.	0.01UF 50V KC CCUS1H103KC
HDMI	C932		nsp	00MDK96104300	CER. CAP.	0.1UF 50V K CCUS1H104KC
HDMI	C933		nsp	00MDK96103300	CER. CAP.	0.01UF 50V KC CCUS1H103KC
HDMI	C934		nsp	00MDK96103300	CER. CAP.	0.01UF 50V KC CCUS1H103KC
HDMI	C935		nsp	00MDK96103300	CER. CAP.	0.01UF 50V KC CCUS1H103KC
HDMI	C936		nsp	00MDK96104300	CER. CAP.	0.1UF 50V K CCUS1H104KC
HDMI	C937		nsp	00MDK96104300	CER. CAP.	0.1UF 50V K CCUS1H104KC
HDMI	C938		nsp	00MDD95101300	CER. CAP.	100PF 50V JA CCUS1H101JA
HDMI	C939		nsp	00MDD95101300	CER. CAP.	100PF 50V JA CCUS1H101JA
HDMI	C940		nsp	00MDK96104300	CER. CAP.	0.1UF 50V K CCUS1H104KC
HDMI	C941		00MOA22701620	00MOA22701620	ELECT CAP.	220UF 16V CCEA1CH221T
HDMI	C942		nsp	00MDK96104300	CER. CAP.	0.1UF 50V K CCUS1H104KC
HDMI	C943		nsp	00MDK96104300	CER. CAP.	0.1UF 50V K CCUS1H104KC
HDMI	C944		nsp	00MDK96103300	CER. CAP.	0.01UF 50V K CCUS1H103KC
HDMI	C945		90M-OA000540R	90M-OA000540R	ELECT CAP.	220UF 16V ESR CCEA1CKXL221T
HDMI	C946		nsp	00MDD95101300	CER. CAP.	100PF 50V JA CCUS1H101JA
HDMI	C947		nsp	00MDD95101300	CER. CAP.	100PF 50V JA CCUS1H101JA
HDMI	C948		nsp	00MDD95101300	CER. CAP.	100PF 50V JA CCUS1H101JA
HDMI	C949		nsp	00MDD95101300	CER. CAP.	100PF 50V JA CCUS1H101JA
HDMI	C950		nsp	00MDD95101300	CER. CAP.	100PF 50V JA CCUS1H101JA
HDMI	C951		nsp	00MDD95471300	CER. CAP.	470PF 50V JA CCUS1H471JA
HDMI	C952		nsp	00MDD95471300	CER. CAP.	470PF 50V JA CCUS1H471JA
HDMI	C953		nsp	00MDD95391370	CER. CAP.	390PF 50V JA CCUS1H391JA
HDMI	C954		nsp	00MDK96272300	CER. CAP.	2700PF 50V KC CCUS1H272KC
HDMI	C955		nsp	00MDK96272300	CER. CAP.	2700PF 50V KC CCUS1H272KC
HDMI	C956		nsp	00MDK96272300	CER. CAP.	2700PF 50V KC CCUS1H272KC
HDMI	C957		nsp	00MDK96272300	CER. CAP.	2700PF 50V KC CCUS1H272KC
HDMI	C958		nsp	00MDK96103300	CER. CAP.	0.01UF 50V KC CCUS1H103KC
HDMI	C959		nsp	00MDD95391370	CER. CAP.	390PF 50V JA CCUS1H391JA
HDMI	C960		nsp	00MDD95391370	CER. CAP.	390PF 50V JA CCUS1H391JA
HDMI	C961		nsp	00MDK96104300	CER. CAP.	0.1UF 50V K CCUS1H104KC
HDMI	C962		nsp	00MDK96104300	CER. CAP.	0.1UF 50V K CCUS1H104KC
HDMI	C963		nsp	00MDK96104300	CER. CAP.	0.1UF 50V K CCUS1H104KC
HDMI	C964		nsp	00MDK96104300	CER. CAP.	0.1UF 50V K CCUS1H104KC
HDMI	C965		nsp	00MDK96104300	CER. CAP.	0.1UF 50V K CCUS1H104KC
HDMI	C966		nsp	00MDD95391370	CER. CAP.	390PF 50V JA CCUS1H391JA
HDMI	C967		nsp	00MDD95391370	CER. CAP.	390PF 50V JA CCUS1H391JA
HDMI	C968		nsp	00MDK96272300	CER. CAP.	2700PF 50V KC CCUS1H272KC
HDMI	C969		nsp	00MDK96272300	CER. CAP.	2700PF 50V KC CCUS1H272KC
HDMI	C970		nsp	00MDK96104300	CER. CAP.	0.1UF 50V K CCUS1H104KC
HDMI	C971		nsp	00MDK96104300	CER. CAP.	0.1UF 50V K CCUS1H104KC
HDMI	C972		nsp	00MDD95391370	CER. CAP.	390PF 50V JA CCUS1H391JA
HDMI	C973		nsp	00MDK96104300	CER. CAP.	0.1UF 50V K CCUS1H104KC
HDMI	C974		nsp	00MDD95330300	CER. CAP.	33PF 50V JA CCUS1H330JA
HDMI	C975		nsp	00MDK96103300	CER. CAP.	0.01UF 50V KC CCUS1H103KC
HDMI	C976		nsp	00MDK98223300	CER. CAP.	0.022UF 50V KC CCUS1H223KC
HDMI	C977		nsp	00MDK96104300	CER. CAP.	0.1UF 50V K CCUS1H104KC
HDMI	C978		nsp	00MDK96102300	CER. CAP.	1000PF 50V KC CCUS1H102KC
HDMI	C979		nsp	00MDK96104300	CER. CAP.	0.1UF 50V K CCUS1H104KC

P.W.B. NAME	POS. NO.	VERS. COLOR	PART NO. (FOR EUR)	PART NO. (MZ)	PART NAME	DESCRIPTION
HDMI	C980		nsp	00MDK96104300	CER. CAP.	0.1UF 50V K CCUS1H104KC
HDMI	C981		00MOA22605020	00MOA22605020	ELECT CAP.	22UF 50V CCEA1HH220T
HDMI	C982		00MOA22605020	00MOA22605020	ELECT CAP.	22UF 50V CCEA1HH220T
HDMI	C983		00MOA22605020	00MOA22605020	ELECT CAP.	22UF 50V CCEA1HH220T
HDMI	C984		00MOA22605020	00MOA22605020	ELECT CAP.	22UF 50V CCEA1HH220T
HDMI	C985		nsp	00MDK96104300	CER. CAP.	0.1UF 50V K CCUS1H104KC
HDMI	C986		nsp	00MDK96104300	CER. CAP.	0.1UF 50V K CCUS1H104KC
HDMI	C987		00MOA10701620	00MOA10701620	ELECT CAP.	100UF 16V CCEA1CH101T
HDMI	C988		00MOA10701620	00MOA10701620	ELECT CAP.	100UF 16V CCEA1CH101T
HDMI	C989		nsp	00MDD95330300	CER. CAP.	33PF 50V JA CCUS1H330JA
HDMI	C990		00MOA10701620	00MOA10701620	ELECT CAP.	100UF 16V CCEA1CH101T
HDMI	C991		00MOA10800620	00MOA10800620	ELECT CAP.	1000UF 6.3V CCEA0JH102T
HDMI	C992		nsp	00MDK96104300	CER. CAP.	0.1UF 50V K CCUS1H104KC
HDMI	C993		00MOA22605020	00MOA22605020	ELECT CAP.	22UF 50V CCEA1HH220T
HDMI	C994		nsp	00MDK96104300	CER. CAP.	0.1UF 50V K CCUS1H104KC
HDMI	C995		nsp	00MDK96104300	CER. CAP.	0.1UF 50V K CCUS1H104KC
HDMI	C996		nsp	00MDK96103300	CER. CAP.	0.01UF 50V KC CCUS1H103KC
HDMI	C997		00MOA47602520	00MOA47602520	ELECT CAP.	47UF 25V CCEA1EH470T
HDMI	C998		00MOA22605020	00MOA22605020	ELECT CAP.	22UF 50V CCEA1HH220T
HDMI	C999		00MOA47602520	00MOA47602520	ELECT CAP.	47UF 25V CCEA1EH470T
HDMI	C1000		00MOA22605020	00MOA22605020	ELECT CAP.	22UF 50V CCEA1HH220T
HDMI	C1001		nsp	00MDK96272300	CER. CAP.	2700PF 50V KC CCUS1H272KC
HDMI	C1003		nsp	00MDK96272300	CER. CAP.	2700PF 50V KC CCUS1H272KC
HDMI	C1004		00MOA22605020	00MOA22605020	ELECT CAP.	22UF 50V CCEA1HH220T
HDMI	C1005		00MOA22605020	00MOA22605020	ELECT CAP.	22UF 50V CCEA1HH220T
HDMI	C1006		nsp	00MDD95391370	CER. CAP.	390PF 50V JA CCUS1H391JA
HDMI	C1007		00MOA22605020	00MOA22605020	ELECT CAP.	22UF 50V CCEA1HH220T
HDMI	C1008		nsp	00MDD95391370	CER. CAP.	390PF 50V JA CCUS1H391JA
HDMI	C1009		nsp	00MDK96104300	CER. CAP.	0.1UF 50V K CCUS1H104KC
HDMI	C1010		00MOA47505020	00MOA47505020	ELECT CAP.	4.7UF 50V CCEA1HH4R7T
HDMI	C1011		nsp	00MDK96104300	CER. CAP.	0.1UF 50V K CCUS1H104KC
HDMI	C1012		nsp	00MDK96103300	CER. CAP.	0.01UF 50V KC CCUS1H103KC
HDMI	C1013		00MOA10701620	00MOA10701620	ELECT CAP.	100UF 16V CCEA1CH101T
HDMI	C1014		00MOA47602520	00MOA47602520	ELECT CAP.	47UF 25V CCEA1EH470T
HDMI	C1015		nsp	00MDK96272300	CER. CAP.	2700PF 50V KC CCUS1H272KC
HDMI	C1016		nsp	00MDK96272300	CER. CAP.	2700PF 50V KC CCUS1H272KC
HDMI	C1017		nsp	00MDD95391370	CER. CAP.	390PF 50V JA CCUS1H391JA
HDMI	C1018		nsp	00MDD95391370	CER. CAP.	390PF 50V JA CCUS1H391JA
HDMI	C1019		nsp	00MDK96103300	CER. CAP.	0.01UF 50V KC CCUS1H103KC
HDMI	C1020		00MOA10701620	00MOA10701620	ELECT CAP.	100UF 16V CCEA1CH101T
HDMI	C1021		00MOA10701620	00MOA10701620	ELECT CAP.	100UF 16V CCEA1CH101T
HDMI	C1022		00MOA10605020	00MOA10605020	ELECT CAP.	10UF 50V CCEA1HH100T
HDMI	C1023		00MOA10605020	00MOA10605020	ELECT CAP.	10UF 50V CCEA1HH100T
HDMI	C1024		00MOA47602520	00MOA47602520	ELECT CAP.	47UF 25V CCEA1EH470T
HDMI	C1025		00MOA22605020	00MOA22605020	ELECT CAP.	22UF 50V CCEA1HH220T
HDMI	C1027		nsp	00MDK96104300	CER. CAP.	0.1UF 50V K CCUS1H104KC
HDMI	C1028		nsp	00MDK96104300	CER. CAP.	0.1UF 50V K CCUS1H104KC
HDMI	C1030		nsp	00MDK96104300	CER. CAP.	0.1UF 50V K CCUS1H104KC
HDMI	C1031		nsp	00MDK96104300	CER. CAP.	0.1UF 50V K CCUS1H104KC
HDMI	C1032		nsp	00MDK96104300	CER. CAP.	0.1UF 50V K CCUS1H104KC
HDMI	C1033		nsp	00MDK96104300	CER. CAP.	0.1UF 50V K CCUS1H104KC
HDMI	C1034		nsp	00MDK96104300	CER. CAP.	0.1UF 50V K CCUS1H104KC
HDMI	C1035		nsp	00MDK96104300	CER. CAP.	0.1UF 50V K CCUS1H104KC
HDMI	C1036		nsp	00MDK96104300	CER. CAP.	0.1UF 50V K CCUS1H104KC
HDMI	CN21		nsp	nsp	CONN.	SOCKET 16PIN 2.54MM ANGLE CJP16GB143ZB

P.W.B. NAME	POS. NO.	VERS. COLOR	PART NO. (FOR EUR)	PART NO. (MZ)	PART NAME	DESCRIPTION
HDMI	CN22		nsp	nsp	CONN.	SOCKET 16PIN 2.54MM ANGLE CJP16GB143ZB
HDMI	CN80		nsp	nsp	CONN.	23P WAFER CJP23GB116ZY
HDMI	CN81		nsp	nsp	CONN.	15P WAFER 2.5MM ANGLE CJP15GJ243ZW
HDMI	CN82		nsp	nsp	CONN.	21P WAFER CJP21GB116ZY
HDMI	CN84		nsp	nsp	CONN.	40P 2.54MM STRAIGHT TYPE CJP40GA221ZB
HDMI	CN85		nsp	nsp	CONN.	40P 2.54MM STRAIGHT TYPE CJP40GA221ZB
HDMI	D501		00MHZ20039050	00MHZ20039050	DIODE	1SS378 CVD1SS378
HDMI	D601		90M-HD201750R	90M-HD201750R	DIODE	1N4003 CVD1N4003SRT
HDMI	D602		90M-HD201750R	90M-HD201750R	DIODE	1N4003 CVD1N4003SRT
HDMI	D800		00MHZ21303210	00MHZ21303210	DIODE	1SS355 CVD1SS355T
HDMI	D801	N1B	00MHZ21303210	00MHZ21303210	DIODE	1SS355 CVD1SS355T
HDMI	D801	/N1SG	00MHZ21303210	00MHZ21303210	DIODE	1SS355 CVD1SS355T
HDMI	D801	/K1SG	nsp	00MHZ21303210	DIODE	1SS355 CVD1SS355T
HDMI	D804	U1B	nsp	00MHZ21303210	DIODE	1SS355 CVD1SS355T
HDMI	D804	/FB	nsp	00MHZ21303210	DIODE	1SS355 CVD1SS355T
HDMI	D807		00MHZ21303210	00MHZ21303210	DIODE	1SS355 CVD1SS355T
HDMI	D808		00MHZ21303210	00MHZ21303210	DIODE	1SS355 CVD1SS355T
HDMI	D812		00MHZ21303210	00MHZ21303210	DIODE	1SS355 CVD1SS355T
HDMI	IC100		00MHC10114530	00MHC10114530	IC	S-80810CNNB CVIS-80810CNNB
HDMI	IC101		00MHC10114530	00MHC10114530	IC	S-80810CNNB CVIS-80810CNNB
HDMI	IC102		00MHC009105K0	00MHC009105K0	IC	TC7WH157FU HVITC7WH157FU
HDMI	IC103		00MHC009105K0	00MHC009105K0	IC	TC7WH157FU HVITC7WH157FU
HDMI	IC104		90M-HC109290R	90M-HC109290R	IC	TC74VHC157FT HVITC74VHC157FT
HDMI	IC105		943243008300M	943243008300M	IC MAIN U-COM SR6004	M3087BFLBGP(ROM:1024K) CVIANAM1488AV
HDMI	IC106		90M-HC109290R	90M-HC109290R	IC	TC74VHC157FT HVITC74VHC157FT
HDMI	IC107		90M-HC110090R	90M-HC110090R	IC	CS42528-CQ HVICS42528-CQ
HDMI	IC108		00MHC10102090	00MHC10102090	IC	NJM2068MD-TE1 HVINJM2068MDTE1
HDMI	IC109		00MHC10172090	00MHC10172090	IC	NJM2115MD OP AMP HVINJM2115MDTE1
HDMI	IC11		00D2623721007	00D2623721007	IC	SII9185ACTU CVISII9185ACTU
HDMI	IC110		00MHC10102090	00MHC10102090	IC	NJM2068MD-TE1 HVINJM2068MDTE1
HDMI	IC111		nsp	nsp	IC	TMS320DA788B DSP CVITMS320DA788B
HDMI	IC112		90M-HC108430R	90M-HC108430R	IC	TC74HC7007AFEL HVITC74HCT7007F
HDMI	IC113		00MHC10102090	00MHC10102090	IC	NJM2068MD-TE1 HVINJM2068MDTE1
HDMI	IC114		00MHC10102090	00MHC10102090	IC	NJM2068MD-TE1 HVINJM2068MDTE1
HDMI	IC115		00MHC10172090	00MHC10172090	IC	NJM2115MD OP AMP HVINJM2115MDTE1
HDMI	IC116		943243008310M	943243008310M	IC DSP SR5004/6004	ES29LV320FT70TG CVIANAM1490AV
HDMI	IC12		943239008320S	943239008320S	IC	TC74VHCT367AFT CVITC74VHCT367AFT
HDMI	IC14		90M-HC109780R	90M-HC109780R	IC	AT24C02NSU18 CVIAT24C02NSU18
HDMI	IC15		90M-HC400080R	90M-HC400080R	IC	TC7MZ4052FK CVITC7MZ4052FK
HDMI	IC21		nsp	nsp	IC	SII9135CTU HDMI RX 144PIN TQFP CVISII9135CTU
HDMI	IC22		00D2623719006	00D2623719006	IC	SII9134CTU HDMI TX 100PIN CVISII9134CTU
HDMI	IC24		90M-HC109400R	90M-HC109400R	IC	SN74AHC541PW HVISN74AHC541PW
HDMI	IC25		90M-HC109400R	90M-HC109400R	IC	SN74AHC541PW HVISN74AHC541PW
HDMI	IC26		90M-HC109400R	90M-HC109400R	IC	SN74AHC541PW HVISN74AHC541PW
HDMI	IC27		943234001640S	943234001640S	IC	TC7SH125FU CVITC7SH125FU
HDMI	IC28		943239008330S	943239008330S	IC	PCA9507DP DDC BUFFER CVIPCA9507DP
HDMI	IC30		943239008340S	943239008340S	IC	NJM2589V CVINJM2589V
HDMI	IC31		00D2623495003	00D2623495003	IC	ADV7403BSTZ-110 VIDEO ENCODER CVIADV7403BS110
HDMI	IC32		943235003740S	943235003740S	IC	ADV7342BSTZ CVIADV7342BSTZ
HDMI	IC33		90M-HC700650R	90M-HC700650R	IC	TC74VCX541FT CVITC74VCX541FT
HDMI	IC34		90M-HC700650R	90M-HC700650R	IC	TC74VCX541FT CVITC74VCX541FT
HDMI	IC35		90M-HC700650R	90M-HC700650R	IC	TC74VCX541FT CVITC74VCX541FT
HDMI	IC36		90M-HC700650R	90M-HC700650R	IC	TC74VCX541FT CVITC74VCX541FT

P.W.B. NAME	POS. NO.	VERS. COLOR	PART NO. (FOR EUR)	PART NO. (MZ)	PART NAME	DESCRIPTION
HDMI	IC37		90M-HC700650R	90M-HC700650R	IC	TC74VCX541FT CVITC74VCX541FT
HDMI	IC38		90M-HC700650R	90M-HC700650R	IC	TC74VCX541FT CVITC74VCX541FT
HDMI	IC39		00MHC008205K0	00MHC008205K0	IC	TC74VHC08FT CVITC74VHC08FT
HDMI	IC40		00MHC009105K0	00MHC009105K0	IC	TC7WH157FU HVITC7WH157FU
HDMI	IC41		943235003750S	943235003750S	IC	IPSD2 CVIIPSD2
HDMI	IC42		943236004400S	943236004400S	IC	W9864G2GH6 SDRAM CVIW9864G2GH6
HDMI	IC43		00MHC008005K0	00MHC008005K0	IC	TC7WHU04FU(TE12) CVITC7WHU04FU
HDMI	IC44		943235004410S	943235004410S	IC	TC7MBL6125SFT QUAD BUS SWITCH CVITC7MBL6125SFT
HDMI	IC45		943235004420S	943235004420S	IC	NB3N502DR2G CLOCK MULTIPLIER CVINB3N502DR2G
HDMI	IC51		nsp	nsp	IC	TMDS442PNPR HDMI SWITCH CVITMDS442PNPR
HDMI	IC53		90M-HC300830R	90M-HC300830R	IC	RN5RZ50BA HVIRN5RZ50BA
HDMI	IC54		90M-HC300830R	90M-HC300830R	IC	RN5RZ50BA HVIRN5RZ50BA
HDMI	IC55		90M-HC400080R	90M-HC400080R	IC	TC7MZ4052FK CVITC7MZ4052FK
HDMI	IC61		943243008350M	943243008350M	IC HDMI MCU SR6004	R5F212AASNFP(R8C/2A) CVIANAM1489AV
HDMI	IC62		90M-HC700630R	90M-HC700630R	IC	TC74VHCT04AFN CVITC74VHCT04AFN
HDMI	IC63		90M-HC900150R	90M-HC900150R	IC	KIA1117S/F33 REGULATOR(SOT-223) CVIKIA1117S33
HDMI	IC64		90M-HC900150R	90M-HC900150R	IC	KIA1117S/F33 REGULATOR(SOT-223) CVIKIA1117S33
HDMI	IC65		90M-HC900150R	90M-HC900150R	IC	KIA1117S/F33 REGULATOR(SOT-223) CVIKIA1117S33
HDMI	IC66		90M-HC900150R	90M-HC900150R	IC	KIA1117S/F33 REGULATOR(SOT-223) CVIKIA1117S33
HDMI	IC67		90M-HC900150R	90M-HC900150R	IC	KIA1117S/F33 REGULATOR(SOT-223) CVIKIA1117S33
HDMI	IC68		943231002450S	943231002450S	IC	KIA1117S18-RTK/ CVIKIA1117S18
HDMI	IC70		943231002450S	943231002450S	IC	KIA1117S18-RTK/ CVIKIA1117S18
HDMI	IC71		943231002450S	943231002450S	IC	KIA1117S18-RTK/ CVIKIA1117S18
HDMI	IC72		90M-HC301010R	90M-HC301010R	IC	KIA278R00PI CVIKIA278R00PI
HDMI	IC73		90M-HC900150R	90M-HC900150R	IC	KIA1117S/F33 REGULATOR(SOT-223) CVIKIA1117S33
HDMI	IC74		943231002450S	943231002450S	IC	KIA1117S18-RTK/ CVIKIA1117S18
HDMI	IC75		90M-HC301010R	90M-HC301010R	IC	KIA278R00PI CVIKIA278R00PI
HDMI	IC76		943231002450S	943231002450S	IC	KIA1117S18-RTK/ CVIKIA1117S18
HDMI	IC79		00D263121390S	00D263121390S	IC	KIA7808AF CVIKIA7808AF
HDMI	IC80		90M-HY200050R	90M-HY200050R	F.E.T.	UPA672T CVTUPA672T
HDMI	IC81		943239008360S	943239008360S	IC	CD4094BPWR(SMD) HVICD4094BPWR
HDMI	IC82		943239008360S	943239008360S	IC	CD4094BPWR(SMD) HVICD4094BPWR
HDMI	IC84		00D263124290S	00D263124290S	IC	NJM2831F33 CVINJM2831F33
HDMI	IC85		90M-HY200050R	90M-HY200050R	F.E.T.	UPA672T CVTUPA672T
HDMI	IC86		90M-HY200050R	90M-HY200050R	F.E.T.	UPA672T CVTUPA672T
HDMI	IC87		90M-HC300690R	90M-HC300690R	IC	KIA278R05PI HVIKIA278R05PI
HDMI	IC88		943239008360S	943239008360S	IC	CD4094BPWR(SMD) HVICD4094BPWR
HDMI	IC89	N1B	90M-HC110110R	90M-HC110110R	IC	AT24C32CN-SH-T CVIAT24C32CNSHT
HDMI	IC89	/N1SG	90M-HC110110R	90M-HC110110R	IC	AT24C32CN-SH-T CVIAT24C32CNSHT
HDMI	IC89	/K1SG	nsp	90M-HC110110R	IC	AT24C32CN-SH-T CVIAT24C32CNSHT
HDMI	IC89	U1B	nsp	90M-HC110120R	IC	AT24C64CN-SH-T CVIAT24C64CNSHT
HDMI	IC89	/FB	nsp	90M-HC110120R	IC	AT24C64CN-SH-T CVIAT24C64CNSHT
HDMI	IC90		00MHC10099540	00MHC10099540	IC	S-80145ALMC HVIS-80145ALMC
HDMI	IC91		00MHC705205Y0	00MHC705205Y0	IC	TC74HC4052AFT CVITC74HC4052AFT
HDMI	IC92		00MHC009105K0	00MHC009105K0	IC	TC7WH157FU HVITC7WH157FU
HDMI	IC93		90M-HC109920R	90M-HC109920R	IC	M12L64164A7T HVIM12L64164A7T
HDMI	IC94		943239008360S	943239008360S	IC	CD4094BPWR(SMD) HVICD4094BPWR
HDMI	IC95		90M-HC300940R	90M-HC300940R	IC	LM1117-ADJ HVILM1117S-ADJ
HDMI	IC96		90M-HC900150R	90M-HC900150R	IC	KIA1117S/F33 REGULATOR(SOT-223) CVIKIA1117S33
HDMI	IC97		90M-HC700550R	90M-HC700550R	IC	TC74HCU04AFNG HVI74HCU04AFNG
HDMI	IC98		00MHC008005K0	00MHC008005K0	IC	TC7WHU04FU(TE12) CVITC7WHU04FU
HDMI	JK11		943643008370S	943643008370S	JACK	HDMI YKF45-7037V CJJ9H009Z
HDMI	JK12		943643008370S	943643008370S	JACK	HDMI YKF45-7037V CJJ9H009Z
HDMI	JK13		943643008370S	943643008370S	JACK	HDMI YKF45-7037V CJJ9H009Z

P.W.B. NAME	POS. NO.	VERS. COLOR	PART NO. (FOR EUR)	PART NO. (MZ)	PART NAME	DESCRIPTION
HDMI	JK14		943643008370S	943643008370S	JACK	HDMI YKF45-7037V CJJ9H009Z
HDMI	JK51		943643008370S	943643008370S	JACK	HDMI YKF45-7037V CJJ9H009Z
HDMI	JK52		943643008370S	943643008370S	JACK	HDMI YKF45-7037V CJJ9H009Z
HDMI	JK83		90M-YT005030R	90M-YT005030R	OPT. CONN.	TORX177L HJSTORX177L
HDMI	JK84		90M-YT005030R	90M-YT005030R	OPT. CONN.	TORX177L HJSTORX177L
HDMI	JK85		90M-YT005030R	90M-YT005030R	OPT. CONN.	TORX177L HJSTORX177L
HDMI	JK86		90M-YT003190R	90M-YT003190R	TERMINAL	CINCH 2P BLACK SILVER CJJ4N064Z
HDMI	JK87		90M-YT005310R	90M-YT005310R	OPT. CONN.	TOTX177L HJSTOTX177L
HDMI	L101		943119008380S	943119008380S	FERRITE CORE	BEAD CHIP 220(2012 SIZE) CLZ9R006Z
HDMI	L102		90M-FC900400R	90M-FC900400R	FERRITE CORE	BEAD CHIP 60(1608 SIZE) CLZ9R005Z
HDMI	L103		943119008380S	943119008380S	FERRITE CORE	BEAD CHIP 220(2012 SIZE) CLZ9R006Z
HDMI	L201		943119008380S	943119008380S	FERRITE CORE	BEAD CHIP 220(2012 SIZE) CLZ9R006Z
HDMI	L202		90M-LU000290R	90M-LU000290R	CHIP INDUCT.	MIP3226D100M 10UH CLQ10E100MRY
HDMI	L203		90M-FC900400R	90M-FC900400R	FERRITE CORE	BEAD CHIP 60(1608 SIZE) CLZ9R005Z
HDMI	L204		90M-FC900400R	90M-FC900400R	FERRITE CORE	BEAD CHIP 60(1608 SIZE) CLZ9R005Z
HDMI	L205		90M-FC900400R	90M-FC900400R	FERRITE CORE	BEAD CHIP 60(1608 SIZE) CLZ9R005Z
HDMI	L206		90M-FC900400R	90M-FC900400R	FERRITE CORE	BEAD CHIP 60(1608 SIZE) CLZ9R005Z
HDMI	L207		90M-FC900400R	90M-FC900400R	FERRITE CORE	BEAD CHIP 60(1608 SIZE) CLZ9R005Z
HDMI	L208		90M-FC900400R	90M-FC900400R	FERRITE CORE	BEAD CHIP 60(1608 SIZE) CLZ9R005Z
HDMI	L209		90M-FC900400R	90M-FC900400R	FERRITE CORE	BEAD CHIP 60(1608 SIZE) CLZ9R005Z
HDMI	L210		943119008380S	943119008380S	FERRITE CORE	BEAD CHIP 220(2012 SIZE) CLZ9R006Z
HDMI	L211		943119008380S	943119008380S	FERRITE CORE	BEAD CHIP 220(2012 SIZE) CLZ9R006Z
HDMI	L212		943119008380S	943119008380S	FERRITE CORE	BEAD CHIP 220(2012 SIZE) CLZ9R006Z
HDMI	L213		943119008380S	943119008380S	FERRITE CORE	BEAD CHIP 220(2012 SIZE) CLZ9R006Z
HDMI	L301		90M-FC900400R	90M-FC900400R	FERRITE CORE	BEAD CHIP 60(1608 SIZE) CLZ9R005Z
HDMI	L302		90M-FC900400R	90M-FC900400R	FERRITE CORE	BEAD CHIP 60(1608 SIZE) CLZ9R005Z
HDMI	L303		90M-LU000290R	90M-LU000290R	CHIP INDUCT.	MIP3226D100M 10UH CLQ10E100MRY
HDMI	L304		90M-FC900400R	90M-FC900400R	FERRITE CORE	BEAD CHIP 60(1608 SIZE) CLZ9R005Z
HDMI	L401		943119008380S	943119008380S	FERRITE CORE	BEAD CHIP 220(2012 SIZE) CLZ9R006Z
HDMI	L402		943119008380S	943119008380S	FERRITE CORE	BEAD CHIP 220(2012 SIZE) CLZ9R006Z
HDMI	L403		90M-LU000290R	90M-LU000290R	CHIP INDUCT.	MIP3226D100M 10UH CLQ10E100MRY
HDMI	L404		90M-LU000290R	90M-LU000290R	CHIP INDUCT.	MIP3226D100M 10UH CLQ10E100MRY
HDMI	L501		943119008380S	943119008380S	FERRITE CORE	BEAD CHIP 200(2012 SIZE) CLZ9R006Z
HDMI	L601		90M-FC900400R	90M-FC900400R	FERRITE CORE	BEAD CHIP 60(1608 SIZE) CLZ9R005Z
HDMI	L602		90M-LU000290R	90M-LU000290R	CHIP INDUCT.	MIP3226D100M 10UH CLQ10E100MRY
HDMI	L603		90M-FC900400R	90M-FC900400R	FERRITE CORE	BEAD CHIP 60(1608 SIZE) CLZ9R005Z
HDMI	L605		90M-FC900400R	90M-FC900400R	FERRITE CORE	BEAD CHIP 60(1608 SIZE) CLZ9R005Z
HDMI	L606		90M-LU000290R	90M-LU000290R	CHIP INDUCT.	MIP3226D100M 10UH CLQ10E100MRY
HDMI	L800		90M-FC900340R	90M-FC900340R	FERRITE CORE	HU-1H4516-600JT CLZ9Z014Z
HDMI	L801		90M-FC900340R	90M-FC900340R	FERRITE CORE	HU-1H4516-600JT CLZ9Z014Z
HDMI	L802		90M-FC900340R	90M-FC900340R	FERRITE CORE	HU-1H4516-600JT CLZ9Z014Z
HDMI	L803		90M-FC900340R	90M-FC900340R	FERRITE CORE	HU-1H4516-600JT CLZ9Z014Z
HDMI	L804		90M-FC900340R	90M-FC900340R	FERRITE CORE	HU-1H4516-600JT CLZ9Z014Z
HDMI	L805		90M-FC900340R	90M-FC900340R	FERRITE CORE	HU-1H4516-600JT CLZ9Z014Z
HDMI	L806		90M-FC900400R	90M-FC900400R	FERRITE CORE	BEAD CHIP 60(1608 SIZE) CLZ9R005Z
HDMI	L807		90M-FC900400R	90M-FC900400R	FERRITE CORE	BEAD CHIP 60(1608 SIZE) CLZ9R005Z
HDMI	L808		90M-FC900400R	90M-FC900400R	FERRITE CORE	BEAD CHIP 60(1608 SIZE) CLZ9R005Z
HDMI	L809		90M-FC900400R	90M-FC900400R	FERRITE CORE	BEAD CHIP 60(1608 SIZE) CLZ9R005Z
HDMI	L811		90M-FC900340R	90M-FC900340R	FERRITE CORE	HU-1H4516-600JT CLZ9Z014Z
HDMI	L812		90M-FC900340R	90M-FC900340R	FERRITE CORE	HU-1H4516-600JT CLZ9Z014Z
HDMI	L813		90M-FC900340R	90M-FC900340R	FERRITE CORE	HU-1H4516-600JT CLZ9Z014Z
HDMI	L814		90M-FC900460R	90M-FC900460R	EMI FILTER	CHIP BEAD NFM21PC474R1C3 CLZ9R007Z
HDMI	L815		90M-FC900460R	90M-FC900460R	EMI FILTER	CHIP BEAD NFM21PC474R1C3 CLZ9R007Z
HDMI	L816		90M-FC900340R	90M-FC900340R	FERRITE CORE	HU-1H4516-600JT CLZ9Z014Z
HDMI	L817		90M-FC900340R	90M-FC900340R	FERRITE CORE	HU-1H4516-600JT CLZ9Z014Z

P.W.B. NAME	POS. NO.	VERS. COLOR	PART NO. (FOR EUR)	PART NO. (MZ)	PART NAME	DESCRIPTION
HDMI	Q101		90M-HX600010R	90M-HX600010R	CHIP TRS.	KRA102S HVTKRA102S
HDMI	Q102		90M-BA001620R	90M-BA001620R	CHIP TRS.	KRC103S CVTKRC103S
HDMI	Q104		90M-HX600010R	90M-HX600010R	CHIP TRS.	KRA102S HVTKRA102S
HDMI	Q105		90M-BA001620R	90M-BA001620R	CHIP TRS.	KRC103S CVTKRC103S
HDMI	Q107		90M-HX600010R	90M-HX600010R	CHIP TRS.	KRA102S HVTKRA102S
HDMI	Q108		90M-BA001620R	90M-BA001620R	CHIP TRS.	KRC103S CVTKRC103S
HDMI	Q114		90M-HX600010R	90M-HX600010R	CHIP TRS.	KRA102S HVTKRA102S
HDMI	Q115		90M-BA001620R	90M-BA001620R	CHIP TRS.	KRC103S CVTKRC103S
HDMI	Q116		90M-HY200050R	90M-HY200050R	F.E.T.	UPA672T CVTUPA672T
HDMI	Q117		90M-BA001620R	90M-BA001620R	CHIP TRS.	KRC103S CVTKRC103S
HDMI	Q201		90M-BA001620R	90M-BA001620R	CHIP TRS.	KRC103S CVTKRC103S
HDMI	Q323		90M-HX800010R	90M-HX800010R	CHIP TRS.	KRC102S HVTKRC102S
HDMI	Q402		90M-BA001620R	90M-BA001620R	CHIP TRS.	KRC103S CVTKRC103S
HDMI	Q601		90M-BA001620R	90M-BA001620R	CHIP TRS.	KRC103S CVTKRC103S
HDMI	Q602		90M-BA001620R	90M-BA001620R	CHIP TRS.	KRC103S CVTKRC103S
HDMI	Q603		90M-HY200050R	90M-HY200050R	F.E.T.	UPA672T CVTUPA672T
HDMI	Q604		90M-HY200050R	90M-HY200050R	F.E.T.	UPA672T CVTUPA672T
HDMI	Q800		00MHT30001000	00MHT30001000	TRS.	KTC3199Y HVTKTC3199YT
HDMI	Q801		90M-HX800010R	90M-HX800010R	CHIP TRS.	KRC102S HVTKRC102S
HDMI	Q802		90M-HX600010R	90M-HX600010R	CHIP TRS.	KRA102S HVTKRA102S
HDMI	Q803		90M-HX600010R	90M-HX600010R	CHIP TRS.	KRA102S HVTKRA102S
HDMI	Q804		90M-HX800010R	90M-HX800010R	CHIP TRS.	KRC102S HVTKRC102S
HDMI	Q805		90M-HX800010R	90M-HX800010R	CHIP TRS.	KRC102S HVTKRC102S
HDMI	R101		nsp	00MNN05102610	CHIP RES.	1K OHM 1/10W J CRJ10DJ102T
HDMI	R102		nsp	00MNN05223610	CHIP RES.	22K OHM 1/10W J CRJ10DJ223T
HDMI	R103		nsp	00MNN05101610	CHIP RES.	100 OHM 1/10W J CRJ10DJ101T
HDMI	R104		nsp	00MNN05473610	CHIP RES.	47K OHM 1/10W J CRJ10DJ473T
HDMI	R107		nsp	00MNN05473610	CHIP RES.	47K OHM 1/10W J CRJ10DJ473T
HDMI	R110		nsp	00MNN05473610	CHIP RES.	47K OHM 1/10W J CRJ10DJ473T
HDMI	R111		nsp	00MNN05473610	CHIP RES.	47K OHM 1/10W J CRJ10DJ473T
HDMI	R113		nsp	00MNN05473610	CHIP RES.	47K OHM 1/10W J CRJ10DJ473T
HDMI	R115		nsp	00MNN05101610	CHIP RES.	100 OHM 1/10W J CRJ10DJ101T
HDMI	R116		nsp	00MNN05473610	CHIP RES.	47K OHM 1/10W J CRJ10DJ473T
HDMI	R119		nsp	00MNN05223610	CHIP RES.	22K OHM 1/10W J CRJ10DJ223T
HDMI	R120		nsp	00MNN05102610	CHIP RES.	1K OHM 1/10W J CRJ10DJ102T
HDMI	R121		nsp	00MNN05102610	CHIP RES.	1K OHM 1/10W J CRJ10DJ102T
HDMI	R122		nsp	00MNN05223610	CHIP RES.	22K OHM 1/10W J CRJ10DJ223T
HDMI	R123		nsp	00MNN05101610	CHIP RES.	100 OHM 1/10W J CRJ10DJ101T
HDMI	R124		nsp	00MNN05473610	CHIP RES.	47K OHM 1/10W J CRJ10DJ473T
HDMI	R127		nsp	00MNN05473610	CHIP RES.	47K OHM 1/10W J CRJ10DJ473T
HDMI	R129		nsp	00MNN05473610	CHIP RES.	47K OHM 1/10W J CRJ10DJ473T
HDMI	R134		nsp	00MNN05000610	CHIP RES.	0 OHM 1/10W J CRJ10DJ0R0T
HDMI	R136		nsp	00MNN05152610	CHIP RES.	1.5K OHM 1/10W J CRJ10DJ152T
HDMI	R137		nsp	00MNN05152610	CHIP RES.	1.5K OHM 1/10W J CRJ10DJ152T
HDMI	R143		nsp	00MNN05473610	CHIP RES.	47K OHM 1/10W J CRJ10DJ473T
HDMI	R145		nsp	00MNN05102610	CHIP RES.	1K OHM 1/10W J CRJ10DJ102T
HDMI	R146		nsp	00MNN05473610	CHIP RES.	47K OHM 1/10W J CRJ10DJ473T
HDMI	R148		nsp	00MNN05102610	CHIP RES.	1K OHM 1/10W J CRJ10DJ102T
HDMI	R149		nsp	00MNN05223610	CHIP RES.	22K OHM 1/10W J CRJ10DJ223T
HDMI	R150		nsp	00MNN05101610	CHIP RES.	100 OHM 1/10W J CRJ10DJ101T
HDMI	R151		nsp	00MNN05473610	CHIP RES.	47K OHM 1/10W J CRJ10DJ473T
HDMI	R154		nsp	00MNN05103610	CHIP RES.	10K OHM 1/10W J CRJ10DJ103T
HDMI	R155		nsp	00MNN05473610	CHIP RES.	47K OHM 1/10W J CRJ10DJ473T
HDMI	R156		nsp	00MNN05473610	CHIP RES.	47K OHM 1/10W J CRJ10DJ473T
HDMI	R157		nsp	00MNN05103610	CHIP RES.	10K OHM 1/10W J CRJ10DJ103T

P.W.B. NAME	POS. NO.	VERS. COLOR	PART NO. (FOR EUR)	PART NO. (MZ)	PART NAME	DESCRIPTION
HDMI	R158		nsp	00MNN05103610	CHIP RES.	10K OHM 1/10W J CRJ10DJ103T
HDMI	R167		nsp	00MNN05000610	CHIP RES.	0 OHM 1/10W J CRJ10DJ0R0T
HDMI	R168		nsp	00MNN05000610	CHIP RES.	0 OHM 1/10W J CRJ10DJ0R0T
HDMI	R169		nsp	00MNN05000610	CHIP RES.	0 OHM 1/10W J CRJ10DJ0R0T
HDMI	R170		nsp	00MNN05000610	CHIP RES.	0 OHM 1/10W J CRJ10DJ0R0T
HDMI	R172		nsp	00MNN05000610	CHIP RES.	0 OHM 1/10W J CRJ10DJ0R0T
HDMI	R173		nsp	00MNN05000610	CHIP RES.	0 OHM 1/10W J CRJ10DJ0R0T
HDMI	R201		nsp	00MNN05103610	CHIP RES.	10K OHM 1/10W J CRJ10DJ103T
HDMI	R202		nsp	00MNN05103610	CHIP RES.	10K OHM 1/10W J CRJ10DJ103T
HDMI	R203		nsp	00MNN05101610	CHIP RES.	100 OHM 1/10W J CRJ10DJ101T
HDMI	R204		nsp	00MNN05101610	CHIP RES.	100 OHM 1/10W J CRJ10DJ101T
HDMI	R205		nsp	00MNN05101610	CHIP RES.	100 OHM 1/10W J CRJ10DJ101T
HDMI	R206		nsp	00MNN05101610	CHIP RES.	100 OHM 1/10W J CRJ10DJ101T
HDMI	R207		nsp	00MNN05561610	CHIP RES.	560 OHM 1/10W J CRJ10DJ561T
HDMI	R208		nsp	00MNN05000610	CHIP RES.	0 OHM 1/10W J CRJ10DJ0R0T
HDMI	R209		nsp	00MNN05561610	CHIP RES.	560 OHM 1/10W J CRJ10DJ561T
HDMI	R210		nsp	00MNN05332610	CHIP RES.	3.3K OHM 1/10W J CRJ10DJ332T
HDMI	R211		nsp	00MNN05682610	CHIP RES.	6.8K OHM 1/10W J CRJ10DJ682T
HDMI	R212		nsp	00MNN05472610	CHIP RES.	4.7K OHM 1/10W J CRJ10DJ472T
HDMI	R214		nsp	00MNN05101610	CHIP RES.	100 OHM 1/10W J CRJ10DJ101T
HDMI	R215		nsp	00MNN05101610	CHIP RES.	100 OHM 1/10W J CRJ10DJ101T
HDMI	R216		nsp	00MNN05103610	CHIP RES.	10K OHM 1/10W J CRJ10DJ103T
HDMI	R219		nsp	00MNN05102610	CHIP RES.	1K OHM 1/10W J CRJ10DJ102T
HDMI	R220		nsp	00MNN05222610	CHIP RES.	2.2K OHM 1/10W J CRJ10DJ222T
HDMI	R223		nsp	00MNN05103610	CHIP RES.	10K OHM 1/10W J CRJ10DJ103T
HDMI	R225		nsp	00MNN05103610	CHIP RES.	10K OHM 1/10W J CRJ10DJ103T
HDMI	R227		nsp	00MNN05102610	CHIP RES.	1K OHM 1/10W J CRJ10DJ102T
HDMI	R228		nsp	00MNN05101610	CHIP RES.	100 OHM 1/10W J CRJ10DJ101T
HDMI	R229		nsp	00MNN05000610	CHIP RES.	0 OHM 1/10W J CRJ10DJ0R0T
HDMI	R230		nsp	00MNN05000610	CHIP RES.	0 OHM 1/10W J CRJ10DJ0R0T
HDMI	R245		nsp	00MNN05561610	CHIP RES.	560 OHM 1/10W J CRJ10DJ561T
HDMI	R246		nsp	00MNN05561610	CHIP RES.	560 OHM 1/10W J CRJ10DJ561T
HDMI	R247		nsp	00MNN05000610	CHIP RES.	0 OHM 1/10W J CRJ10DJ0R0T
HDMI	R249		nsp	00MNN05000610	CHIP RES.	0 OHM 1/10W J CRJ10DJ0R0T
HDMI	R250		nsp	00MNN05100610	CHIP RES.	10 OHM 1/10W J CRJ10DJ100T
HDMI	R251		nsp	00MNN05220610	CHIP RES.	22 OHM 1/10W J CRJ10DJ220T
HDMI	R253		nsp	00MNN05332610	CHIP RES.	3.3K OHM 1/10W J CRJ10DJ332T
HDMI	R254		nsp	00MNN05682610	CHIP RES.	6.8K OHM 1/10W J CRJ10DJ682T
HDMI	R255		nsp	00MNN05103610	CHIP RES.	10K OHM 1/10W J CRJ10DJ103T
HDMI	R256		943129008410S	943129008410S	CHIP RES.	68 OHM 1/10W J CRJ10DJ680T
HDMI	R257		943129008410S	943129008410S	CHIP RES.	68 OHM 1/10W J CRJ10DJ680T
HDMI	R258		943129008410S	943129008410S	CHIP RES.	68 OHM 1/10W J CRJ10DJ680T
HDMI	R259		943129008410S	943129008410S	CHIP RES.	68 OHM 1/10W J CRJ10DJ680T
HDMI	R260		nsp	00MNN05000610	CHIP RES.	0 OHM 1/10W J CRJ10DJ0R0T
HDMI	R261		943129008410S	943129008410S	CHIP RES.	68 OHM 1/10W J CRJ10DJ680T
HDMI	R262		943129008410S	943129008410S	CHIP RES.	68 OHM 1/10W J CRJ10DJ680T
HDMI	R263		nsp	00MNN05101610	CHIP RES.	100 OHM 1/10W J CRJ10DJ101T
HDMI	R264		nsp	00MNN05101610	CHIP RES.	100 OHM 1/10W J CRJ10DJ101T
HDMI	R265		943129008410S	943129008410S	CHIP RES.	68 OHM 1/10W J CRJ10DJ680T
HDMI	R266		943129008410S	943129008410S	CHIP RES.	68 OHM 1/10W J CRJ10DJ680T
HDMI	R267		943129008410S	943129008410S	CHIP RES.	68 OHM 1/10W J CRJ10DJ680T
HDMI	R268		nsp	00MNN05101610	CHIP RES.	100 OHM 1/10W J CRJ10DJ101T
HDMI	R269		nsp	00MNN05473610	CHIP RES.	47K OHM 1/10W J CRJ10DJ473T
HDMI	R270		nsp	00MNN05473610	CHIP RES.	47K OHM 1/10W J CRJ10DJ473T
HDMI	R271		nsp	00MNN05101610	CHIP RES.	100 OHM 1/10W J CRJ10DJ101T

P.W.B. NAME	POS. NO.	VERS. COLOR	PART NO. (FOR EUR)	PART NO. (MZ)	PART NAME	DESCRIPTION
HDMI	R272		nsp	00MNN05101610	CHIP RES.	100 OHM 1/10W J CRJ10DJ101T
HDMI	R273		nsp	00MNN05102610	CHIP RES.	1K OHM 1/10W J CRJ10DJ102T
HDMI	R275		nsp	00MNN05473610	CHIP RES.	47K OHM 1/10W J CRJ10DJ473T
HDMI	R276		nsp	00MNN05472610	CHIP RES.	4.7K OHM 1/10W J CRJ10DJ472T
HDMI	R277		nsp	00MNN05105610	CHIP RES.	1M OHM 1/10W J CRJ10DJ105T
HDMI	R278		nsp	00MNN05331610	CHIP RES.	330 OHM 1/10W J CRJ10DJ331T
HDMI	R279		nsp	00MNN05220610	CHIP RES.	22 OHM 1/10W J CRJ10DJ220T
HDMI	R280		nsp	00MNN05220610	CHIP RES.	22 OHM 1/10W J CRJ10DJ220T
HDMI	R281		nsp	00MNN05220610	CHIP RES.	22 OHM 1/10W J CRJ10DJ220T
HDMI	R282		nsp	00MNN05220610	CHIP RES.	22 OHM 1/10W J CRJ10DJ220T
HDMI	R283		nsp	00MNN05473610	CHIP RES.	47K OHM 1/10W J CRJ10DJ473T
HDMI	R285		nsp	00MNN05000610	CHIP RES.	0 OHM 1/10W J CRJ10DJ0R0T
HDMI	R301		nsp	00MNN05000610	CHIP RES.	0 OHM 1/10W J CRJ10DJ0R0T
HDMI	R302		nsp	00MNN05000610	CHIP RES.	0 OHM 1/10W J CRJ10DJ0R0T
HDMI	R303		nsp	00MNN05000610	CHIP RES.	0 OHM 1/10W J CRJ10DJ0R0T
HDMI	R304		nsp	00MNN05000610	CHIP RES.	0 OHM 1/10W J CRJ10DJ0R0T
HDMI	R305		nsp	00MNN05000610	CHIP RES.	0 OHM 1/10W J CRJ10DJ0R0T
HDMI	R306		nsp	00MNN05000610	CHIP RES.	0 OHM 1/10W J CRJ10DJ0R0T
HDMI	R307		nsp	00MNN05000610	CHIP RES.	0 OHM 1/10W J CRJ10DJ0R0T
HDMI	R308		nsp	00MNN05000610	CHIP RES.	0 OHM 1/10W J CRJ10DJ0R0T
HDMI	R309		nsp	00MNN05151610	CHIP RES.	150 OHM 1/10W J CRJ10DJ151T
HDMI	R310		nsp	00MNN05151610	CHIP RES.	150 OHM 1/10W J CRJ10DJ151T
HDMI	R311		nsp	00MNN05151610	CHIP RES.	150 OHM 1/10W J CRJ10DJ151T
HDMI	R312		nsp	00MNN05151610	CHIP RES.	150 OHM 1/10W J CRJ10DJ151T
HDMI	R313		nsp	00MNN05103610	CHIP RES.	10K OHM 1/10W J CRJ10DJ103T
HDMI	R314		nsp	00MNN05562610	CHIP RES.	5.6K OHM 1/10W J CRJ10DJ562T
HDMI	R316		nsp	00MNN05101610	CHIP RES.	100 OHM 1/10W J CRJ10DJ101T
HDMI	R317		nsp	00MNN05101610	CHIP RES.	100 OHM 1/10W J CRJ10DJ101T
HDMI	R318		nsp	00MNN05220610	CHIP RES.	22 OHM 1/10W J CRJ10DJ220T
HDMI	R319		nsp	00MNN05220610	CHIP RES.	22 OHM 1/10W J CRJ10DJ220T
HDMI	R320		nsp	00MNN05000610	CHIP RES.	0 OHM 1/10W J CRJ10DJ0R0T
HDMI	R321		nsp	00MNN05220610	CHIP RES.	22 OHM 1/10W J CRJ10DJ220T
HDMI	R322		nsp	00MNN05220610	CHIP RES.	22 OHM 1/10W J CRJ10DJ220T
HDMI	R323		nsp	00MNN05220610	CHIP RES.	22 OHM 1/10W J CRJ10DJ220T
HDMI	R324		nsp	00MNN05220610	CHIP RES.	22 OHM 1/10W J CRJ10DJ220T
HDMI	R325		nsp	00MNN05220610	CHIP RES.	22 OHM 1/10W J CRJ10DJ220T
HDMI	R326		nsp	00MNN05220610	CHIP RES.	22 OHM 1/10W J CRJ10DJ220T
HDMI	R327		nsp	00MNN05220610	CHIP RES.	22 OHM 1/10W J CRJ10DJ220T
HDMI	R328		nsp	00MNN05220610	CHIP RES.	22 OHM 1/10W J CRJ10DJ220T
HDMI	R329		nsp	00MNN05220610	CHIP RES.	22 OHM 1/10W J CRJ10DJ220T
HDMI	R330		nsp	00MNN05000610	CHIP RES.	0 OHM 1/10W J CRJ10DJ0R0T
HDMI	R331		nsp	00MNN05105610	CHIP RES.	1M OHM 1/10W J CRJ10DJ105T
HDMI	R332		nsp	00MNN05220610	CHIP RES.	22 OHM 1/10W J CRJ10DJ220T
HDMI	R333		nsp	00MNN05220610	CHIP RES.	22 OHM 1/10W J CRJ10DJ220T
HDMI	R334		nsp	00MNN05220610	CHIP RES.	22 OHM 1/10W J CRJ10DJ220T
HDMI	R335		nsp	00MNN05220610	CHIP RES.	22 OHM 1/10W J CRJ10DJ220T
HDMI	R336		nsp	00MNN05273610	CHIP RES.	27K OHM 1/10W J CRJ10DJ273T
HDMI	R337		nsp	00MNN05182610	CHIP RES.	1.8K OHM 1/10W J CRJ10DJ182T
HDMI	R338		nsp	00MNN05220610	CHIP RES.	22 OHM 1/10W J CRJ10DJ220T
HDMI	R343		nsp	00MNN05272610	CHIP RES.	2.7K OHM 1/10W J CRJ10DJ272T
HDMI	R344		nsp	00MNN05272610	CHIP RES.	2.7K OHM 1/10W J CRJ10DJ272T
HDMI	R345		943124003780S	943124003780S	CHIP RES.	20 OHM 1/10W 1608 CRJ10DJ200T
HDMI	R346		nsp	00MNN05151610	CHIP RES.	150 OHM 1/10W J CRJ10DJ151T
HDMI	R347		943124003780S	943124003780S	CHIP RES.	20 OHM 1/10W 1608 CRJ10DJ200T
HDMI	R348		nsp	00MNN05151610	CHIP RES.	150 OHM 1/10W J CRJ10DJ151T

P.W.B. NAME	POS. NO.	VERS. COLOR	PART NO. (FOR EUR)	PART NO. (MZ)	PART NAME	DESCRIPTION
HDMI	R349		nsp	00MNN05392610	CHIP RES.	3.9K OHM 1/10W J CRJ10DJ392T
HDMI	R350		nsp	00MNN05221610	CHIP RES.	220 OHM 1/10W J CRJ10DJ221T
HDMI	R352		00MDK96104300	00MDK96104300	CER. CAP.	0.1UF 50V K CCUS1H104KC
HDMI	R353		nsp	00MNN05392610	CHIP RES.	3.9K OHM 1/10W J CRJ10DJ392T
HDMI	R354		nsp	00MNN05221610	CHIP RES.	220 OHM 1/10W J CRJ10DJ221T
HDMI	R357		90M-NN000860R	90M-NN000860R	CHIP RES.	300 OHM 1/10W J CRJ10DJ301T
HDMI	R358		nsp	00MNN05271610	CHIP RES.	270 OHM +-5% 1/16W CRJ10DJ271T
HDMI	R359		nsp	00MNN05271610	CHIP RES.	270 OHM +-5% 1/16W CRJ10DJ271T
HDMI	R360		nsp	00MNN05271610	CHIP RES.	270 OHM +-5% 1/16W CRJ10DJ271T
HDMI	R361		nsp	00MNN05000610	CHIP RES.	0 OHM 1/10W J CRJ10DJ0R0T
HDMI	R362		nsp	00MNN05000610	CHIP RES.	0 OHM 1/10W J CRJ10DJ0R0T
HDMI	R363		nsp	00MNN05000610	CHIP RES.	0 OHM 1/10W J CRJ10DJ0R0T
HDMI	R364		nsp	00MNN05000610	CHIP RES.	0 OHM 1/10W J CRJ10DJ0R0T
HDMI	R369		nsp	00MNN05000610	CHIP RES.	0 OHM 1/10W J CRJ10DJ0R0T
HDMI	R371		nsp	00MNN05000610	CHIP RES.	0 OHM 1/10W J CRJ10DJ0R0T
HDMI	R372		nsp	00MNN05101610	CHIP RES.	100 OHM 1/10W J CRJ10DJ101T
HDMI	R373		nsp	00MNN05101610	CHIP RES.	100 OHM 1/10W J CRJ10DJ101T
HDMI	R378		nsp	00MNN05750610	CHIP RES.	75 OHM 1/10W J CRJ10DJ750T
HDMI	R380		nsp	00MNN05750610	CHIP RES.	75 OHM 1/10W J CRJ10DJ750T
HDMI	R381		nsp	00MNN05220610	CHIP RES.	22 OHM 1/10W J CRJ10DJ220T
HDMI	R382		nsp	00MNN05220610	CHIP RES.	22 OHM 1/10W J CRJ10DJ220T
HDMI	R385		nsp	00MNN05000610	CHIP RES.	0 OHM 1/10W J CRJ10DJ0R0T
HDMI	R386		nsp	00MNN05101610	CHIP RES.	100 OHM 1/10W J CRJ10DJ101T
HDMI	R387		nsp	00MNN05101610	CHIP RES.	100 OHM 1/10W J CRJ10DJ101T
HDMI	R438		nsp	00MNN05220610	CHIP RES.	22 OHM 1/10W J CRJ10DJ220T
HDMI	R439		nsp	00MNN05000610	CHIP RES.	0 OHM 1/10W J CRJ10DJ0R0T
HDMI	R440		nsp	00MNN05220610	CHIP RES.	22 OHM 1/10W J CRJ10DJ220T
HDMI	R441		nsp	00MNN05220610	CHIP RES.	22 OHM 1/10W J CRJ10DJ220T
HDMI	R450		nsp	00MNN05220610	CHIP RES.	22 OHM 1/10W J CRJ10DJ220T
HDMI	R451		nsp	00MNN05000610	CHIP RES.	0 OHM 1/10W J CRJ10DJ0R0T
HDMI	R452		nsp	00MNN05220610	CHIP RES.	22 OHM 1/10W J CRJ10DJ220T
HDMI	R453		nsp	00MNN05220610	CHIP RES.	22 OHM 1/10W J CRJ10DJ220T
HDMI	R464		nsp	00MNN05000610	CHIP RES.	0 OHM 1/10W J CRJ10DJ0R0T
HDMI	R468		nsp	00MNN05000610	CHIP RES.	0 OHM 1/10W J CRJ10DJ0R0T
HDMI	R469		nsp	00MNN05000610	CHIP RES.	0 OHM 1/10W J CRJ10DJ0R0T
HDMI	R470		nsp	00MNN05000610	CHIP RES.	0 OHM 1/10W J CRJ10DJ0R0T
HDMI	R471		nsp	00MNN05000610	CHIP RES.	0 OHM 1/10W J CRJ10DJ0R0T
HDMI	R472		nsp	00MNN05000610	CHIP RES.	0 OHM 1/10W J CRJ10DJ0R0T
HDMI	R473		nsp	00MNN05000610	CHIP RES.	0 OHM 1/10W J CRJ10DJ0R0T
HDMI	R474		nsp	00MNN05220610	CHIP RES.	22 OHM 1/10W J CRJ10DJ220T
HDMI	R475		nsp	00MNN05220610	CHIP RES.	22 OHM 1/10W J CRJ10DJ220T
HDMI	R476		nsp	00MNN05220610	CHIP RES.	22 OHM 1/10W J CRJ10DJ220T
HDMI	R478		nsp	00MNN05103610	CHIP RES.	10K OHM 1/10W J CRJ10DJ103T
HDMI	R479		nsp	00MNN05000610	CHIP RES.	0 OHM 1/10W J CRJ10DJ0R0T
HDMI	R486		nsp	00MNN05000610	CHIP RES.	0 OHM 1/10W J CRJ10DJ0R0T
HDMI	R489		nsp	00MNN05103610	CHIP RES.	10K OHM 1/10W J CRJ10DJ103T
HDMI	R490		nsp	00MNN05103610	CHIP RES.	10K OHM 1/10W J CRJ10DJ103T
HDMI	R491		nsp	00MNN05000610	CHIP RES.	0 OHM 1/10W J CRJ10DJ0R0T
HDMI	R493		nsp	00MNN05103610	CHIP RES.	10K OHM 1/10W J CRJ10DJ103T
HDMI	R495		nsp	00MNN05103610	CHIP RES.	10K OHM 1/10W J CRJ10DJ103T
HDMI	R497		nsp	00MNN05220610	CHIP RES.	22 OHM 1/10W J CRJ10DJ220T
HDMI	R498		nsp	00MNN05000610	CHIP RES.	0 OHM 1/10W J CRJ10DJ0R0T
HDMI	R499		nsp	00MNN05220610	CHIP RES.	22 OHM 1/10W J CRJ10DJ220T
HDMI	R501		nsp	00MNN05102610	CHIP RES.	1K OHM 1/10W J CRJ10DJ102T
HDMI	R502		nsp	00MNN05102610	CHIP RES.	1K OHM 1/10W J CRJ10DJ102T

P.W.B. NAME	POS. NO.	VERS. COLOR	PART NO. (FOR EUR)	PART NO. (MZ)	PART NAME	DESCRIPTION
HDMI	R503		nsp	00MNN05472610	CHIP RES.	4.7K OHM 1/10W J CRJ10DJ472T
HDMI	R504		nsp	00MNN05472610	CHIP RES.	4.7K OHM 1/10W J CRJ10DJ472T
HDMI	R505		nsp	00MNN05103610	CHIP RES.	10K OHM 1/10W J CRJ10DJ103T
HDMI	R507		nsp	00MNN05103610	CHIP RES.	10K OHM 1/10W J CRJ10DJ103T
HDMI	R509		nsp	00MNN05220610	CHIP RES.	22 OHM 1/10W J CRJ10DJ220T
HDMI	R510		nsp	00MNN05220610	CHIP RES.	22 OHM 1/10W J CRJ10DJ220T
HDMI	R513		nsp	00MNN05182610	CHIP RES.	1.8K OHM 1/10W J CRJ10DJ182T
HDMI	R514		nsp	00MNN05182610	CHIP RES.	1.8K OHM 1/10W J CRJ10DJ182T
HDMI	R518		nsp	00MNN05101610	CHIP RES.	100 OHM 1/10W J CRJ10DJ101T
HDMI	R519		nsp	00MNN05473610	CHIP RES.	47K OHM 1/10W J CRJ10DJ473T
HDMI	R521		nsp	00MNN05102610	CHIP RES.	1K OHM 1/10W J CRJ10DJ102T
HDMI	R522		nsp	00MNN05102610	CHIP RES.	1K OHM 1/10W J CRJ10DJ102T
HDMI	R523		nsp	00MNN05473610	CHIP RES.	47K OHM 1/10W J CRJ10DJ473T
HDMI	R525		nsp	00MNN05182610	CHIP RES.	1.8K OHM 1/10W J CRJ10DJ182T
HDMI	R526		nsp	00MNN05182610	CHIP RES.	1.8K OHM 1/10W J CRJ10DJ182T
HDMI	R529		nsp	00MNN05473610	CHIP RES.	47K OHM 1/10W J CRJ10DJ473T
HDMI	R530		nsp	00MNN05101610	CHIP RES.	100 OHM 1/10W J CRJ10DJ101T
HDMI	R533		nsp	00MNN05474610	CHIP RES.	470K OHM 1/10W J CRJ10DJ474T
HDMI	R534		nsp	00MNN05104610	CHIP RES.	100K OHM 1/10W J CRJ10DJ104T
HDMI	R535		nsp	00MNN05104610	CHIP RES.	100K OHM 1/10W J CRJ10DJ104T
HDMI	R536		nsp	00MNN05104610	CHIP RES.	100K OHM 1/10W J CRJ10DJ104T
HDMI	R537		nsp	00MNN05104610	CHIP RES.	100K OHM 1/10W J CRJ10DJ104T
HDMI	R588		nsp	00MNN05102610	CHIP RES.	1K OHM 1/10W J CRJ10DJ102T
HDMI	R589		nsp	00MNN05102610	CHIP RES.	1K OHM 1/10W J CRJ10DJ102T
HDMI	R599		nsp	00MNN05472610	CHIP RES.	4.7K OHM 1/10W J CRJ10DJ472T
HDMI	R601		nsp	00MNN05682610	CHIP RES.	6.8K OHM 1/10W J CRJ10DJ682T
HDMI	R602		nsp	00MNN05000610	CHIP RES.	0 OHM 1/10W J CRJ10DJ0R0T
HDMI	R606		nsp	00MNN05103610	CHIP RES.	10K OHM 1/10W J CRJ10DJ103T
HDMI	R607		nsp	00MNN05103610	CHIP RES.	10K OHM 1/10W J CRJ10DJ103T
HDMI	R608		nsp	00MNN05103610	CHIP RES.	10K OHM 1/10W J CRJ10DJ103T
HDMI	R610		nsp	00MNN05103610	CHIP RES.	10K OHM 1/10W J CRJ10DJ103T
HDMI	R611		nsp	00MNN05472610	CHIP RES.	4.7K OHM 1/10W J CRJ10DJ472T
HDMI	R612		nsp	00MNN05103610	CHIP RES.	10K OHM 1/10W J CRJ10DJ103T
HDMI	R613		nsp	00MNN05472610	CHIP RES.	4.7K OHM 1/10W J CRJ10DJ472T
HDMI	R615		nsp	00MNN05000610	CHIP RES.	0 OHM 1/10W J CRJ10DJ0R0T
HDMI	R616		nsp	00MNN05103610	CHIP RES.	10K OHM 1/10W J CRJ10DJ103T
HDMI	R617		nsp	00MNN05103610	CHIP RES.	10K OHM 1/10W J CRJ10DJ103T
HDMI	R618		nsp	00MNN05103610	CHIP RES.	10K OHM 1/10W J CRJ10DJ103T
HDMI	R619		nsp	00MNN05103610	CHIP RES.	10K OHM 1/10W J CRJ10DJ103T
HDMI	R620		nsp	00MNN05103610	CHIP RES.	10K OHM 1/10W J CRJ10DJ103T
HDMI	R621		nsp	00MNN05103610	CHIP RES.	10K OHM 1/10W J CRJ10DJ103T
HDMI	R622		nsp	00MNN05103610	CHIP RES.	10K OHM 1/10W J CRJ10DJ103T
HDMI	R623		nsp	00MNN05103610	CHIP RES.	10K OHM 1/10W J CRJ10DJ103T
HDMI	R624		nsp	00MNN05332610	CHIP RES.	3.3K OHM 1/10W J CRJ10DJ332T
HDMI	R625		nsp	00MNN05472610	CHIP RES.	4.7K OHM 1/10W J CRJ10DJ472T
HDMI	R626		nsp	00MNN05472610	CHIP RES.	4.7K OHM 1/10W J CRJ10DJ472T
HDMI	R627		nsp	00MNN05682610	CHIP RES.	6.8K OHM 1/10W J CRJ10DJ682T
HDMI	R628		nsp	00MNN05682610	CHIP RES.	6.8K OHM 1/10W J CRJ10DJ682T
HDMI	R629		nsp	00MNN05682610	CHIP RES.	6.8K OHM 1/10W J CRJ10DJ682T
HDMI	R630		nsp	00MNN05332610	CHIP RES.	3.3K OHM 1/10W J CRJ10DJ332T
HDMI	R631		nsp	00MNN05332610	CHIP RES.	3.3K OHM 1/10W J CRJ10DJ332T
HDMI	R633		nsp	00MNN05103610	CHIP RES.	10K OHM 1/10W J CRJ10DJ103T
HDMI	R634		nsp	00MNN05103610	CHIP RES.	10K OHM 1/10W J CRJ10DJ103T
HDMI	R635		nsp	00MNN05103610	CHIP RES.	10K OHM 1/10W J CRJ10DJ103T
HDMI	R636		nsp	00MNN05103610	CHIP RES.	10K OHM 1/10W J CRJ10DJ103T

P.W.B. NAME	POS. NO.	VERS. COLOR	PART NO. (FOR EUR)	PART NO. (MZ)	PART NAME	DESCRIPTION
HDMI	R637		nsp	00MNN05103610	CHIP RES.	10K OHM 1/10W J CRJ10DJ103T
HDMI	R638		nsp	00MNN05103610	CHIP RES.	10K OHM 1/10W J CRJ10DJ103T
HDMI	R639		nsp	00MNN05682610	CHIP RES.	6.8K OHM 1/10W J CRJ10DJ682T
HDMI	R640		nsp	00MNN05332610	CHIP RES.	3.3K OHM 1/10W J CRJ10DJ332T
HDMI	R641		nsp	00MNN05103610	CHIP RES.	10K OHM 1/10W J CRJ10DJ103T
HDMI	R642		nsp	00MNN05103610	CHIP RES.	10K OHM 1/10W J CRJ10DJ103T
HDMI	R643		nsp	00MNN05000610	CHIP RES.	0 OHM 1/10W J CRJ10DJ0R0T
HDMI	R648		nsp	00MNN05000610	CHIP RES.	0 OHM 1/10W J CRJ10DJ0R0T
HDMI	R649		nsp	00MNN05000610	CHIP RES.	0 OHM 1/10W J CRJ10DJ0R0T
HDMI	R650		nsp	00MNN05103610	CHIP RES.	10K OHM 1/10W J CRJ10DJ103T
HDMI	R651		nsp	00MNN05103610	CHIP RES.	10K OHM 1/10W J CRJ10DJ103T
HDMI	R652		nsp	00MNN05103610	CHIP RES.	10K OHM 1/10W J CRJ10DJ103T
HDMI	R653		943129008420S	943129008420S	CHIP RES.	5.6 OHM 1/10W J CRJ10DJ5R6T
HDMI	R654		00MNM11800020	00MNM11800020	CHIP RES.	180 OHM 1% 1/10W J CRJ10DF1800T
HDMI	R655		943124001530S	943124001530S	CHIP RES.	470 OHM/1608/1% CRJ10DF4700T
HDMI	R656		943129008420S	943129008420S	CHIP RES.	5.6 OHM 1/10W J CRJ10DJ5R6T
HDMI	R657		nsp	00MNN05000610	CHIP RES.	0 OHM 1/10W J CRJ10DJ0R0T
HDMI	R658		nsp	00MNN05472610	CHIP RES.	4.7K OHM 1/10W J CRJ10DJ472T
HDMI	R659		nsp	00MNN05472610	CHIP RES.	4.7K OHM 1/10W J CRJ10DJ472T
HDMI	R660		nsp	00MNN05472610	CHIP RES.	4.7K OHM 1/10W J CRJ10DJ472T
HDMI	R661		nsp	00MNN05472610	CHIP RES.	4.7K OHM 1/10W J CRJ10DJ472T
HDMI	R662		nsp	00MNN05472610	CHIP RES.	4.7K OHM 1/10W J CRJ10DJ472T
HDMI	R663		nsp	00MNN05472610	CHIP RES.	4.7K OHM 1/10W J CRJ10DJ472T
HDMI	R664		nsp	00MNN05472610	CHIP RES.	4.7K OHM 1/10W J CRJ10DJ472T
HDMI	R665		nsp	00MNN05472610	CHIP RES.	4.7K OHM 1/10W J CRJ10DJ472T
HDMI	R666		nsp	00MNN05472610	CHIP RES.	4.7K OHM 1/10W J CRJ10DJ472T
HDMI	R667		nsp	00MNN05472610	CHIP RES.	4.7K OHM 1/10W J CRJ10DJ472T
HDMI	R668		nsp	00MNN05472610	CHIP RES.	4.7K OHM 1/10W J CRJ10DJ472T
HDMI	R669		nsp	00MNN05472610	CHIP RES.	4.7K OHM 1/10W J CRJ10DJ472T
HDMI	R670		nsp	00MNN05472610	CHIP RES.	4.7K OHM 1/10W J CRJ10DJ472T
HDMI	R671		nsp	00MNN05472610	CHIP RES.	4.7K OHM 1/10W J CRJ10DJ472T
HDMI	R674		nsp	00MNN05332610	CHIP RES.	3.3K OHM 1/10W J CRJ10DJ332T
HDMI	R675		nsp	00MNN05103610	CHIP RES.	10K OHM 1/10W J CRJ10DJ103T
HDMI	R676		nsp	00MNN05103610	CHIP RES.	10K OHM 1/10W J CRJ10DJ103T
HDMI	R677		nsp	00MNN05000610	CHIP RES.	0 OHM 1/10W J CRJ10DJ0R0T
HDMI	R678		nsp	00MNN05000610	CHIP RES.	0 OHM 1/10W J CRJ10DJ0R0T
HDMI	R679		nsp	00MNN05000610	CHIP RES.	0 OHM 1/10W J CRJ10DJ0R0T
HDMI	R680		nsp	00MNN05000610	CHIP RES.	0 OHM 1/10W J CRJ10DJ0R0T
HDMI	R682		nsp	00MNN05000610	CHIP RES.	0 OHM 1/10W J CRJ10DJ0R0T
HDMI	R683		nsp	00MNN05000610	CHIP RES.	0 OHM 1/10W J CRJ10DJ0R0T
HDMI	R685		nsp	00MNN05000610	CHIP RES.	0 OHM 1/10W J CRJ10DJ0R0T
HDMI	R686		nsp	00MNN05104610	CHIP RES.	100K OHM 1/10W J CRJ10DJ104T
HDMI	R687		nsp	00MNN05104610	CHIP RES.	100K OHM 1/10W J CRJ10DJ104T
HDMI	R688		00MNM11800020	00MNM11800020	CHIP RES.	180 OHM 1% 1/10W J CRJ10DF1800T
HDMI	R689		943124001530S	943124001530S	CHIP RES.	470 OHM/1608/1% CRJ10DF4700T
HDMI	R690		nsp	00MNN05000610	CHIP RES.	0 OHM 1/10W J CRJ10DJ0R0T
HDMI	R691		nsp	00MNN05105610	CHIP RES.	1M OHM 1/10W J CRJ10DJ105T
HDMI	R692		nsp	00MNN05220610	CHIP RES.	22 OHM 1/10W J CRJ10DJ220T
HDMI	R693		nsp	00MNN05000610	CHIP RES.	0 OHM 1/10W J CRJ10DJ0R0T
HDMI	R694		nsp	00MNN05000610	CHIP RES.	0 OHM 1/10W J CRJ10DJ0R0T
HDMI	R695		nsp	00MNN05000610	CHIP RES.	0 OHM 1/10W J CRJ10DJ0R0T
HDMI	R696		nsp	00MNN05103610	CHIP RES.	10K OHM 1/10W J CRJ10DJ103T
HDMI	R697		nsp	00MNN05000610	CHIP RES.	0 OHM 1/10W J CRJ10DJ0R0T
HDMI	R698		nsp	00MNN05472610	CHIP RES.	4.7K OHM 1/10W J CRJ10DJ472T
HDMI	R699		nsp	00MNN05472610	CHIP RES.	4.7K OHM 1/10W J CRJ10DJ472T

P.W.B. NAME	POS. NO.	VERS. COLOR	PART NO. (FOR EUR)	PART NO. (MZ)	PART NAME	DESCRIPTION
HDMI	R700		nsp	00MNN05103610	CHIP RES.	10K OHM 1/10W J CRJ10DJ103T
HDMI	R702		nsp	00MNN05101610	CHIP RES.	100 OHM 1/10W J CRJ10DJ101T
HDMI	R703		nsp	00MNN05103610	CHIP RES.	10K OHM 1/10W J CRJ10DJ103T
HDMI	R704		nsp	00MNN05332610	CHIP RES.	3.3K OHM 1/10W J CRJ10DJ332T
HDMI	R705		nsp	00MNN05682610	CHIP RES.	6.8K OHM 1/10W J CRJ10DJ682T
HDMI	R706		nsp	00MNN05104610	CHIP RES.	100K OHM 1/10W J CRJ10DJ104T
HDMI	R800		nsp	00MNN05000610	CHIP RES.	0 OHM 1/10W J CRJ10DJ0R0T
HDMI	R801		nsp	00MNN05473610	CHIP RES.	47K OHM 1/10W J CRJ10DJ473T
HDMI	R802		nsp	00MNN05473610	CHIP RES.	47K OHM 1/10W J CRJ10DJ473T
HDMI	R803		nsp	00MNN05473610	CHIP RES.	47K OHM 1/10W J CRJ10DJ473T
HDMI	R804		nsp	00MNN05682610	CHIP RES.	6.8K OHM 1/10W J CRJ10DJ682T
HDMI	R805		nsp	00MNN05473610	CHIP RES.	47K OHM 1/10W J CRJ10DJ473T
HDMI	R806		nsp	00MNN05473610	CHIP RES.	47K OHM 1/10W J CRJ10DJ473T
HDMI	R807		nsp	00MNN05473610	CHIP RES.	47K OHM 1/10W J CRJ10DJ473T
HDMI	R808		nsp	00MNN05473610	CHIP RES.	47K OHM 1/10W J CRJ10DJ473T
HDMI	R809		nsp	00MNN05473610	CHIP RES.	47K OHM 1/10W J CRJ10DJ473T
HDMI	R810		nsp	00MNN05473610	CHIP RES.	47K OHM 1/10W J CRJ10DJ473T
HDMI	R811		nsp	00MNN05473610	CHIP RES.	47K OHM 1/10W J CRJ10DJ473T
HDMI	R812		nsp	00MNN05473610	CHIP RES.	47K OHM 1/10W J CRJ10DJ473T
HDMI	R813		nsp	00MNN05473610	CHIP RES.	47K OHM 1/10W J CRJ10DJ473T
HDMI	R814		nsp	00MNN05473610	CHIP RES.	47K OHM 1/10W J CRJ10DJ473T
HDMI	R815		nsp	00MNN05473610	CHIP RES.	47K OHM 1/10W J CRJ10DJ473T
HDMI	R816		nsp	00MNN05473610	CHIP RES.	47K OHM 1/10W J CRJ10DJ473T
HDMI	R817		nsp	00MNN05473610	CHIP RES.	47K OHM 1/10W J CRJ10DJ473T
HDMI	R819		nsp	00MNN05473610	CHIP RES.	47K OHM 1/10W J CRJ10DJ473T
HDMI	R820		nsp	00MNN05473610	CHIP RES.	47K OHM 1/10W J CRJ10DJ473T
HDMI	R821		nsp	00MNN05473610	CHIP RES.	47K OHM 1/10W J CRJ10DJ473T
HDMI	R822		nsp	00MNN05473610	CHIP RES.	47K OHM 1/10W J CRJ10DJ473T
HDMI	R823		nsp	00MNN05473610	CHIP RES.	47K OHM 1/10W J CRJ10DJ473T
HDMI	R824		nsp	00MNN05473610	CHIP RES.	47K OHM 1/10W J CRJ10DJ473T
HDMI	R825	N1B	nsp	00MNN05222610	CHIP RES.	2.2K OHM 1/10W J CRJ10DJ222T
HDMI	R825	/N1SG	nsp	00MNN05222610	CHIP RES.	2.2K OHM 1/10W J CRJ10DJ222T
HDMI	R825	K1SG	nsp	00MNN05682610	CHIP RES.	6.8K OHM 1/10W J CRJ10DJ682T
HDMI	R825	U1B	nsp	00MNN05000610	CHIP RES.	0 OHM 1/10W J CRJ10DJ0R0T
HDMI	R825	FB	nsp	00MNN05562610	CHIP RES.	5.6K OHM 1/10W J CRJ10DJ562T
HDMI	R827		nsp	00MNN05473610	CHIP RES.	47K OHM 1/10W J CRJ10DJ473T
HDMI	R828	N1B	nsp	00MNN05822610	CHIP RES.	8.2K OHM 1/10W J CRJ10DJ822T
HDMI	R828	/N1SG	nsp	00MNN05822610	CHIP RES.	8.2K OHM 1/10W J CRJ10DJ822T
HDMI	R828	K1SG	nsp	00MNN05272610	CHIP RES.	2.7K OHM 1/10W J CRJ10DJ272T
HDMI	R828	FB	nsp	00MNN05392610	CHIP RES.	3.9K OHM 1/10W J CRJ10DJ392T
HDMI	R829		nsp	00MNN05472610	CHIP RES.	4.7K OHM 1/10W J CRJ10DJ472T
HDMI	R830		nsp	00MNN05472610	CHIP RES.	4.7K OHM 1/10W J CRJ10DJ472T
HDMI	R831		nsp	00MNN05472610	CHIP RES.	4.7K OHM 1/10W J CRJ10DJ472T
HDMI	R832		nsp	00MNN05472610	CHIP RES.	4.7K OHM 1/10W J CRJ10DJ472T
HDMI	R833		nsp	00MNN05472610	CHIP RES.	4.7K OHM 1/10W J CRJ10DJ472T
HDMI	R834		nsp	00MNN05333610	CHIP RES.	33K OHM 1/10W J CRJ10DJ333T
HDMI	R835		nsp	00MNN05333610	CHIP RES.	33K OHM 1/10W J CRJ10DJ333T
HDMI	R836		nsp	00MNN05000610	CHIP RES.	0 OHM 1/10W J CRJ10DJ0R0T
HDMI	R837		nsp	00MNN05000610	CHIP RES.	0 OHM 1/10W J CRJ10DJ0R0T
HDMI	R838		nsp	00MNN05000610	CHIP RES.	0 OHM 1/10W J CRJ10DJ0R0T
HDMI	R839		nsp	00MNN05000610	CHIP RES.	0 OHM 1/10W J CRJ10DJ0R0T
HDMI	R840		nsp	00MNN05000610	CHIP RES.	0 OHM 1/10W J CRJ10DJ0R0T
HDMI	R841		nsp	00MNN05000610	CHIP RES.	0 OHM 1/10W J CRJ10DJ0R0T
HDMI	R842		nsp	00MNN05000610	CHIP RES.	0 OHM 1/10W J CRJ10DJ0R0T
HDMI	R843		nsp	00MNN05000610	CHIP RES.	0 OHM 1/10W J CRJ10DJ0R0T

P.W.B. NAME	POS. NO.	VERS. COLOR	PART NO. (FOR EUR)	PART NO. (MZ)	PART NAME	DESCRIPTION
HDMI	R906		nsp	00MNN05103610	CHIP RES.	10K OHM 1/10W J CRJ10DJ103T
HDMI	R907		nsp	00MNN05103610	CHIP RES.	10K OHM 1/10W J CRJ10DJ103T
HDMI	R908		nsp	00MNN05103610	CHIP RES.	10K OHM 1/10W J CRJ10DJ103T
HDMI	R909		nsp	00MNN05103610	CHIP RES.	10K OHM 1/10W J CRJ10DJ103T
HDMI	R910		nsp	00MNN05104610	CHIP RES.	100K OHM 1/10W J CRJ10DJ104T
HDMI	R911		nsp	00MNN05104610	CHIP RES.	100K OHM 1/10W J CRJ10DJ104T
HDMI	R912		nsp	00MNN05105610	CHIP RES.	1M OHM 1/10W J CRJ10DJ105T
HDMI	R913		nsp	00MNN05152610	CHIP RES.	1.5K OHM 1/10W J CRJ10DJ152T
HDMI	R914		nsp	00MNN05183610	CHIP RES.	18K OHM 1/10W J CRJ10DJ183T
HDMI	R915		nsp	00MNN05330610	CHIP RES.	33 OHM 1/10W J CRJ10DJ330T
HDMI	R916		nsp	00MNN05330610	CHIP RES.	33 OHM 1/10W J CRJ10DJ330T
HDMI	R917		nsp	00MNN05330610	CHIP RES.	33 OHM 1/10W J CRJ10DJ330T
HDMI	R918		nsp	00MNN05332610	CHIP RES.	3.3K OHM 1/10W J CRJ10DJ332T
HDMI	R919		nsp	00MNN05332610	CHIP RES.	3.3K OHM 1/10W J CRJ10DJ332T
HDMI	R920		nsp	00MNN05333610	CHIP RES.	33K OHM 1/10W J CRJ10DJ333T
HDMI	R921		nsp	00MNN05473610	CHIP RES.	47K OHM 1/10W J CRJ10DJ473T
HDMI	R922		nsp	00MNN05000610	CHIP RES.	0 OHM 1/10W J CRJ10DJ0R0T
HDMI	R923		nsp	00MNN05000610	CHIP RES.	0 OHM 1/10W J CRJ10DJ0R0T
HDMI	R924		nsp	00MNN05000610	CHIP RES.	0 OHM 1/10W J CRJ10DJ0R0T
HDMI	R925		nsp	00MNN05000610	CHIP RES.	0 OHM 1/10W J CRJ10DJ0R0T
HDMI	R926		nsp	00MNN05000610	CHIP RES.	0 OHM 1/10W J CRJ10DJ0R0T
HDMI	R927		nsp	00MNN05000610	CHIP RES.	0 OHM 1/10W J CRJ10DJ0R0T
HDMI	R928		nsp	00MNN05000610	CHIP RES.	0 OHM 1/10W J CRJ10DJ0R0T
HDMI	R929		nsp	00MNN05000610	CHIP RES.	0 OHM 1/10W J CRJ10DJ0R0T
HDMI	R930		nsp	00MNN05000610	CHIP RES.	0 OHM 1/10W J CRJ10DJ0R0T
HDMI	R931		nsp	00MNN05000610	CHIP RES.	0 OHM 1/10W J CRJ10DJ0R0T
HDMI	R932		nsp	00MNN05000610	CHIP RES.	0 OHM 1/10W J CRJ10DJ0R0T
HDMI	R933		nsp	00MNN05000610	CHIP RES.	0 OHM 1/10W J CRJ10DJ0R0T
HDMI	R934		nsp	00MNN05000610	CHIP RES.	0 OHM 1/10W J CRJ10DJ0R0T
HDMI	R935		nsp	00MNN05000610	CHIP RES.	0 OHM 1/10W J CRJ10DJ0R0T
HDMI	R936		nsp	00MNN05000610	CHIP RES.	0 OHM 1/10W J CRJ10DJ0R0T
HDMI	R937		nsp	00MNN05000610	CHIP RES.	0 OHM 1/10W J CRJ10DJ0R0T
HDMI	R938		nsp	00MNN05000610	CHIP RES.	0 OHM 1/10W J CRJ10DJ0R0T
HDMI	R939		nsp	00MNN05000610	CHIP RES.	0 OHM 1/10W J CRJ10DJ0R0T
HDMI	R940		nsp	00MNN05000610	CHIP RES.	0 OHM 1/10W J CRJ10DJ0R0T
HDMI	R941		nsp	00MNN05000610	CHIP RES.	0 OHM 1/10W J CRJ10DJ0R0T
HDMI	R942		nsp	00MNN05000610	CHIP RES.	0 OHM 1/10W J CRJ10DJ0R0T
HDMI	R943		nsp	00MNN05000610	CHIP RES.	0 OHM 1/10W J CRJ10DJ0R0T
HDMI	R944		nsp	00MNN05000610	CHIP RES.	0 OHM 1/10W J CRJ10DJ0R0T
HDMI	R946		nsp	00MNN05183610	CHIP RES.	18K OHM 1/10W J CRJ10DJ183T
HDMI	R947		nsp	00MNN05000610	CHIP RES.	0 OHM 1/10W J CRJ10DJ0R0T
HDMI	R948		nsp	00MNN05000610	CHIP RES.	0 OHM 1/10W J CRJ10DJ0R0T
HDMI	R949		nsp	00MNN05152610	CHIP RES.	1.5K OHM 1/10W J CRJ10DJ152T
HDMI	R950		nsp	00MNN05473610	CHIP RES.	47K OHM 1/10W J CRJ10DJ473T
HDMI	R951		nsp	00MNN05473610	CHIP RES.	47K OHM 1/10W J CRJ10DJ473T
HDMI	R952		nsp	00MNN05103610	CHIP RES.	10K OHM 1/10W J CRJ10DJ103T
HDMI	R953		nsp	00MNN05000610	CHIP RES.	0 OHM 1/10W J CRJ10DJ0R0T
HDMI	R954		nsp	00MNN05000610	CHIP RES.	0 OHM 1/10W J CRJ10DJ0R0T
HDMI	R955		nsp	00MNN05000610	CHIP RES.	0 OHM 1/10W J CRJ10DJ0R0T
HDMI	R956		nsp	00MNN05000610	CHIP RES.	0 OHM 1/10W J CRJ10DJ0R0T
HDMI	R957		nsp	00MNN05104610	CHIP RES.	100K OHM 1/10W J CRJ10DJ104T
HDMI	R958		nsp	00MNN05101610	CHIP RES.	100 OHM 1/10W J CRJ10DJ101T
HDMI	R959		nsp	00MNN05101610	CHIP RES.	100 OHM 1/10W J CRJ10DJ101T
HDMI	R960		nsp	00MNN05101610	CHIP RES.	100 OHM 1/10W J CRJ10DJ101T
HDMI	R961		nsp	00MNN05473610	CHIP RES.	47K OHM 1/10W J CRJ10DJ473T

P.W.B. NAME	POS. NO.	VERS. COLOR	PART NO. (FOR EUR)	PART NO. (MZ)	PART NAME	DESCRIPTION
HDMI	R962		nsp	00MNN05472610	CHIP RES.	4.7K OHM 1/10W J CRJ10DJ472T
HDMI	R963		nsp	00MNN05000610	CHIP RES.	0 OHM 1/10W J CRJ10DJ0R0T
HDMI	R964		nsp	00MNN05000610	CHIP RES.	0 OHM 1/10W J CRJ10DJ0R0T
HDMI	R965		nsp	00MNN05000610	CHIP RES.	0 OHM 1/10W J CRJ10DJ0R0T
HDMI	R966		nsp	00MNN05000610	CHIP RES.	0 OHM 1/10W J CRJ10DJ0R0T
HDMI	R967		nsp	00MNN05000610	CHIP RES.	0 OHM 1/10W J CRJ10DJ0R0T
HDMI	R968		nsp	00MNN05221610	CHIP RES.	220 OHM 1/10W J CRJ10DJ221T
HDMI	R969		nsp	00MNN05221610	CHIP RES.	220 OHM 1/10W J CRJ10DJ221T
HDMI	R970		nsp	00MNN05221610	CHIP RES.	220 OHM 1/10W J CRJ10DJ221T
HDMI	R971		nsp	00MNN05221610	CHIP RES.	220 OHM 1/10W J CRJ10DJ221T
HDMI	R972		nsp	00MNN05470610	CHIP RES.	47 OHM 1/10W J CRJ10DJ470T
HDMI	R973		nsp	00MNN05000610	CHIP RES.	0 OHM 1/10W J CRJ10DJ0R0T
HDMI	R975		nsp	00MNN05473610	CHIP RES.	47K OHM 1/10W J CRJ10DJ473T
HDMI	R976		nsp	00MNN05473610	CHIP RES.	47K OHM 1/10W J CRJ10DJ473T
HDMI	R977		nsp	00MNN05104610	CHIP RES.	100K OHM 1/10W J CRJ10DJ104T
HDMI	R978		nsp	00MNN05103610	CHIP RES.	10K OHM 1/10W J CRJ10DJ103T
HDMI	R979		nsp	00MNN05473610	CHIP RES.	47K OHM 1/10W J CRJ10DJ473T
HDMI	R980		nsp	00MNN05473610	CHIP RES.	47K OHM 1/10W J CRJ10DJ473T
HDMI	R981		nsp	00MNN05330610	CHIP RES.	33 OHM 1/10W J CRJ10DJ330T
HDMI	R982		nsp	00MNN05330610	CHIP RES.	33 OHM 1/10W J CRJ10DJ330T
HDMI	R983		nsp	00MNN05105610	CHIP RES.	1M OHM 1/10W J CRJ10DJ105T
HDMI	R984		nsp	00MNN05101610	CHIP RES.	100 OHM 1/10W J CRJ10DJ101T
HDMI	R985		nsp	00MNN05222610	CHIP RES.	2.2K OHM 1/10W J CRJ10DJ222T
HDMI	R986		nsp	00MNN05223610	CHIP RES.	22K OHM 1/10W J CRJ10DJ223T
HDMI	R987		nsp	00MNN05222610	CHIP RES.	2.2K OHM 1/10W J CRJ10DJ222T
HDMI	R988		nsp	00MNN05103610	CHIP RES.	10K OHM 1/10W J CRJ10DJ103T
HDMI	R989		nsp	00MNN05183610	CHIP RES.	18K OHM 1/10W J CRJ10DJ183T
HDMI	R990		00MNM1033G020	00MNM1033G020	CHIP RES.	3.3 OHM 1% 1/10W J CRJ10DF3R30T
HDMI	R991		nsp	00MNN05000610	CHIP RES.	0 OHM 1/10W J CRJ10DJ0R0T
HDMI	R992		nsp	00MNN05103610	CHIP RES.	10K OHM 1/10W J CRJ10DJ103T
HDMI	R994		nsp	00MNN05103610	CHIP RES.	10K OHM 1/10W J CRJ10DJ103T
HDMI	R995		nsp	00MNN05332610	CHIP RES.	3.3K OHM 1/10W J CRJ10DJ332T
HDMI	R996		nsp	00MNN05222610	CHIP RES.	2.2K OHM 1/10W J CRJ10DJ222T
HDMI	R997		nsp	00MNN05272610	CHIP RES.	2.7K OHM 1/10W J CRJ10DJ272T
HDMI	R998		nsp	00MNN05472610	CHIP RES.	4.7K OHM 1/10W J CRJ10DJ472T
HDMI	R999		nsp	00MNN05472610	CHIP RES.	4.7K OHM 1/10W J CRJ10DJ472T
HDMI	R1000		nsp	00MNN05101610	CHIP RES.	100 OHM 1/10W J CRJ10DJ101T
HDMI	R1001		nsp	00MNN05101610	CHIP RES.	100 OHM 1/10W J CRJ10DJ101T
HDMI	R1002		nsp	00MNN05101610	CHIP RES.	100 OHM 1/10W J CRJ10DJ101T
HDMI	R1003		nsp	00MNN05101610	CHIP RES.	100 OHM 1/10W J CRJ10DJ101T
HDMI	R1004		nsp	00MNN05472610	CHIP RES.	4.7K OHM 1/10W J CRJ10DJ472T
HDMI	R1005		nsp	00MNN05472610	CHIP RES.	4.7K OHM 1/10W J CRJ10DJ472T
HDMI	R1006		nsp	00MNN05272610	CHIP RES.	2.7K OHM 1/10W J CRJ10DJ272T
HDMI	R1007		nsp	00MNN05222610	CHIP RES.	2.2K OHM 1/10W J CRJ10DJ222T
HDMI	R1008		nsp	00MNN05332610	CHIP RES.	3.3K OHM 1/10W J CRJ10DJ332T
HDMI	R1009		nsp	00MNN05392610	CHIP RES.	3.9K OHM 1/10W J CRJ10DJ392T
HDMI	R1010		nsp	00MNN05103610	CHIP RES.	10K OHM 1/10W J CRJ10DJ103T
HDMI	R1011		nsp	00MNN05682610	CHIP RES.	6.8K OHM 1/10W J CRJ10DJ682T
HDMI	R1012		nsp	00MNN05101610	CHIP RES.	100 OHM 1/10W J CRJ10DJ101T
HDMI	R1013		nsp	00MNN05104610	CHIP RES.	100K OHM 1/10W J CRJ10DJ104T
HDMI	R1014		nsp	00MNN05682610	CHIP RES.	6.8K OHM 1/10W J CRJ10DJ682T
HDMI	R1015		nsp	00MNN05152610	CHIP RES.	1.5K OHM 1/10W J CRJ10DJ152T
HDMI	R1016		nsp	00MNN05152610	CHIP RES.	1.5K OHM 1/10W J CRJ10DJ152T
HDMI	R1017		nsp	00MNN05682610	CHIP RES.	6.8K OHM 1/10W J CRJ10DJ682T
HDMI	R1018		nsp	00MNN05101610	CHIP RES.	100 OHM 1/10W J CRJ10DJ101T

P.W.B. NAME	POS. NO.	VERS. COLOR	PART NO. (FOR EUR)	PART NO. (MZ)	PART NAME	DESCRIPTION
HDMI	R1019		nsp	00MNN05104610	CHIP RES.	100K OHM 1/10W J CRJ10DJ104T
HDMI	R1020		nsp	00MNN05332610	CHIP RES.	3.3K OHM 1/10W J CRJ10DJ332T
HDMI	R1021		nsp	00MNN05332610	CHIP RES.	3.3K OHM 1/10W J CRJ10DJ332T
HDMI	R1022		nsp	00MNN05104610	CHIP RES.	100K OHM 1/10W J CRJ10DJ104T
HDMI	R1023		nsp	00MNN05101610	CHIP RES.	100 OHM 1/10W J CRJ10DJ101T
HDMI	R1024		nsp	00MNN05682610	CHIP RES.	6.8K OHM 1/10W J CRJ10DJ682T
HDMI	R1025		nsp	00MNN05682610	CHIP RES.	6.8K OHM 1/10W J CRJ10DJ682T
HDMI	R1026		nsp	00MNN05152610	CHIP RES.	1.5K OHM 1/10W J CRJ10DJ152T
HDMI	R1027		nsp	00MNN05101610	CHIP RES.	100 OHM 1/10W J CRJ10DJ101T
HDMI	R1028		nsp	00MNN05682610	CHIP RES.	6.8K OHM 1/10W J CRJ10DJ682T
HDMI	R1029		nsp	00MNN05682610	CHIP RES.	6.8K OHM 1/10W J CRJ10DJ682T
HDMI	R1030		nsp	00MNN05152610	CHIP RES.	1.5K OHM 1/10W J CRJ10DJ152T
HDMI	R1031		nsp	00MNN05152610	CHIP RES.	1.5K OHM 1/10W J CRJ10DJ152T
HDMI	R1032		nsp	00MNN05332610	CHIP RES.	3.3K OHM 1/10W J CRJ10DJ332T
HDMI	R1033		nsp	00MNN05332610	CHIP RES.	3.3K OHM 1/10W J CRJ10DJ332T
HDMI	R1034		nsp	00MNN05332610	CHIP RES.	3.3K OHM 1/10W J CRJ10DJ332T
HDMI	R1035		nsp	00MNN05332610	CHIP RES.	3.3K OHM 1/10W J CRJ10DJ332T
HDMI	R1036		nsp	00MNN05104610	CHIP RES.	100K OHM 1/10W J CRJ10DJ104T
HDMI	R1038		nsp	00MNN05101610	CHIP RES.	100 OHM 1/10W J CRJ10DJ101T
HDMI	R1039		nsp	00MNN05332610	CHIP RES.	3.3K OHM 1/10W J CRJ10DJ332T
HDMI	R1041		nsp	00MNN05000610	CHIP RES.	0 OHM 1/10W J CRJ10DJ0R0T
HDMI	R1042		nsp	00MNN05100610	CHIP RES.	10 OHM 1/10W J CRJ10DJ100T
HDMI	R1043		nsp	00MNN05750610	CHIP RES.	75 OHM 1/10W J CRJ10DJ750T
HDMI	R1044		nsp	00MNN05102610	CHIP RES.	1K OHM 1/10W J CRJ10DJ102T
HDMI	R1046		nsp	00MNN05104610	CHIP RES.	100K OHM 1/10W J CRJ10DJ104T
HDMI	R1048		nsp	00MNN05472610	CHIP RES.	4.7K OHM 1/10W J CRJ10DJ472T
HDMI	R1050		nsp	00MNN05473610	CHIP RES.	47K OHM 1/10W J CRJ10DJ473T
HDMI	R1051		nsp	00MNN05750610	CHIP RES.	75 OHM 1/10W J CRJ10DJ750T
HDMI	R1052		nsp	00MNN05221610	CHIP RES.	220 OHM 1/10W J CRJ10DJ221T
HDMI	R1053		nsp	00MNN05221610	CHIP RES.	220 OHM 1/10W J CRJ10DJ221T
HDMI	R1054		nsp	00MNN05102610	CHIP RES.	1K OHM 1/10W J CRJ10DJ102T
HDMI	R1055		nsp	00MNN05104610	CHIP RES.	100K OHM 1/10W J CRJ10DJ104T
HDMI	R1056		nsp	00MNN05472610	CHIP RES.	4.7K OHM 1/10W J CRJ10DJ472T
HDMI	R1057		nsp	00MNN05103610	CHIP RES.	10K OHM 1/10W J CRJ10DJ103T
HDMI	R1058		nsp	00MNN05560610	CHIP RES.	56 OHM 1/10W J CRJ10DJ560T
HDMI	R1059		nsp	00MNN05560610	CHIP RES.	56 OHM 1/10W J CRJ10DJ560T
HDMI	R1060		nsp	00MNN05101610	CHIP RES.	100 OHM 1/10W J CRJ10DJ101T
HDMI	R1061		nsp	00MNN05101610	CHIP RES.	100 OHM 1/10W J CRJ10DJ101T
HDMI	R1062		nsp	00MNN05101610	CHIP RES.	100 OHM 1/10W J CRJ10DJ101T
HDMI	R1063		nsp	00MNN05103610	CHIP RES.	10K OHM 1/10W J CRJ10DJ103T
HDMI	R1064		nsp	00MNN05103610	CHIP RES.	10K OHM 1/10W J CRJ10DJ103T
HDMI	R1065		nsp	00MNN05103610	CHIP RES.	10K OHM 1/10W J CRJ10DJ103T
HDMI	R1066		nsp	00MNN05103610	CHIP RES.	10K OHM 1/10W J CRJ10DJ103T
HDMI	R1067		nsp	00MNN05103610	CHIP RES.	10K OHM 1/10W J CRJ10DJ103T
HDMI	R1068		nsp	00MNN05103610	CHIP RES.	10K OHM 1/10W J CRJ10DJ103T
HDMI	R1069		nsp	00MNN05103610	CHIP RES.	10K OHM 1/10W J CRJ10DJ103T
HDMI	R1070		nsp	00MNN05103610	CHIP RES.	10K OHM 1/10W J CRJ10DJ103T
HDMI	R1071		nsp	00MNN05103610	CHIP RES.	10K OHM 1/10W J CRJ10DJ103T
HDMI	R1072		nsp	00MNN05103610	CHIP RES.	10K OHM 1/10W J CRJ10DJ103T
HDMI	R1073		nsp	00MNN05103610	CHIP RES.	10K OHM 1/10W J CRJ10DJ103T
HDMI	R1074		nsp	00MNN05103610	CHIP RES.	10K OHM 1/10W J CRJ10DJ103T
HDMI	R1075		nsp	00MNN05330610	CHIP RES.	33 OHM 1/10W J CRJ10DJ330T
HDMI	R1076		nsp	00MNN05330610	CHIP RES.	33 OHM 1/10W J CRJ10DJ330T
HDMI	R1077		nsp	00MNN05330610	CHIP RES.	33 OHM 1/10W J CRJ10DJ330T
HDMI	R1078		nsp	00MNN05330610	CHIP RES.	33 OHM 1/10W J CRJ10DJ330T

P.W.B. NAME	POS. NO.	VERS. COLOR	PART NO. (FOR EUR)	PART NO. (MZ)	PART NAME	DESCRIPTION
HDMI	R1079		nsp	00MNN05330610	CHIP RES.	33 OHM 1/10W J CRJ10DJ330T
HDMI	R1080		nsp	00MNN05330610	CHIP RES.	33 OHM 1/10W J CRJ10DJ330T
HDMI	R1081		nsp	00MNN05330610	CHIP RES.	33 OHM 1/10W J CRJ10DJ330T
HDMI	R1082		nsp	00MNN05330610	CHIP RES.	33 OHM 1/10W J CRJ10DJ330T
HDMI	R1083		nsp	00MNN05101610	CHIP RES.	100 OHM 1/10W J CRJ10DJ101T
HDMI	R1084		nsp	00MNN05221610	CHIP RES.	220 OHM 1/10W J CRJ10DJ221T
HDMI	R1085		nsp	00MNN05330610	CHIP RES.	33 OHM 1/10W J CRJ10DJ330T
HDMI	R1086		nsp	00MNN05000610	CHIP RES.	0 OHM 1/10W J CRJ10DJ0R0T
HDMI	R1087		nsp	00MNN05330610	CHIP RES.	33 OHM 1/10W J CRJ10DJ330T
HDMI	R1088		nsp	00MNN05330610	CHIP RES.	33 OHM 1/10W J CRJ10DJ330T
HDMI	R1089		nsp	00MNN05330610	CHIP RES.	33 OHM 1/10W J CRJ10DJ330T
HDMI	R1090		nsp	00MNN05105610	CHIP RES.	1M OHM 1/10W J CRJ10DJ105T
HDMI	R1091		nsp	00MNN05000610	CHIP RES.	0 OHM 1/10W J CRJ10DJ0R0T
HDMI	R1092		nsp	00MNN05000610	CHIP RES.	0 OHM 1/10W J CRJ10DJ0R0T
HDMI	R1093		nsp	00MNN05000610	CHIP RES.	0 OHM 1/10W J CRJ10DJ0R0T
HDMI	R1094		nsp	00MNN05000610	CHIP RES.	0 OHM 1/10W J CRJ10DJ0R0T
HDMI	R1095		nsp	00MNN05000610	CHIP RES.	0 OHM 1/10W J CRJ10DJ0R0T
HDMI	R1096		nsp	00MNN05000610	CHIP RES.	0 OHM 1/10W J CRJ10DJ0R0T
HDMI	R1097		nsp	00MNN05103610	CHIP RES.	10K OHM 1/10W J CRJ10DJ103T
HDMI	R1098		nsp	00MNN05103610	CHIP RES.	10K OHM 1/10W J CRJ10DJ103T
HDMI	R1099		nsp	00MNN05103610	CHIP RES.	10K OHM 1/10W J CRJ10DJ103T
HDMI	R1100		nsp	00MNN05682610	CHIP RES.	6.8K OHM 1/10W J CRJ10DJ682T
HDMI	R1101		nsp	00MNN05682610	CHIP RES.	6.8K OHM 1/10W J CRJ10DJ682T
HDMI	R1102		nsp	00MNN05152610	CHIP RES.	1.5K OHM 1/10W J CRJ10DJ152T
HDMI	R1103		nsp	00MNN05152610	CHIP RES.	1.5K OHM 1/10W J CRJ10DJ152T
HDMI	R1104		nsp	00MNN05472610	CHIP RES.	4.7K OHM 1/10W J CRJ10DJ472T
HDMI	R1105		nsp	00MNN05332610	CHIP RES.	3.3K OHM 1/10W J CRJ10DJ332T
HDMI	R1106		nsp	00MNN05332610	CHIP RES.	3.3K OHM 1/10W J CRJ10DJ332T
HDMI	R1107		nsp	00MNN05000610	CHIP RES.	0 OHM 1/10W J CRJ10DJ0R0T
HDMI	R1108		nsp	00MNN05000610	CHIP RES.	0 OHM 1/10W J CRJ10DJ0R0T
HDMI	R1109		nsp	00MNN05000610	CHIP RES.	0 OHM 1/10W J CRJ10DJ0R0T
HDMI	R1110		nsp	00MNN05332610	CHIP RES.	3.3K OHM 1/10W J CRJ10DJ332T
HDMI	R1111		nsp	00MNN05000610	CHIP RES.	0 OHM 1/10W J CRJ10DJ0R0T
HDMI	R1112		nsp	00MNN05332610	CHIP RES.	3.3K OHM 1/10W J CRJ10DJ332T
HDMI	R1113		nsp	00MNN05000610	CHIP RES.	0 OHM 1/10W J CRJ10DJ0R0T
HDMI	R1114		nsp	00MNN05000610	CHIP RES.	0 OHM 1/10W J CRJ10DJ0R0T
HDMI	R1115		nsp	00MNN05152610	CHIP RES.	1.5K OHM 1/10W J CRJ10DJ152T
HDMI	R1116		nsp	00MNN05152610	CHIP RES.	1.5K OHM 1/10W J CRJ10DJ152T
HDMI	R1118		nsp	00MNN05682610	CHIP RES.	6.8K OHM 1/10W J CRJ10DJ682T
HDMI	R1119		nsp	00MNN05682610	CHIP RES.	6.8K OHM 1/10W J CRJ10DJ682T
HDMI	R1120		nsp	00MNN05152610	CHIP RES.	1.5K OHM 1/10W J CRJ10DJ152T
HDMI	R1121		nsp	00MNN05332610	CHIP RES.	3.3K OHM 1/10W J CRJ10DJ332T
HDMI	R1122		nsp	00MNN05332610	CHIP RES.	3.3K OHM 1/10W J CRJ10DJ332T
HDMI	R1123		nsp	00MNN05102610	CHIP RES.	1K OHM 1/10W J CRJ10DJ102T
HDMI	R1124		nsp	00MNN05102610	CHIP RES.	1K OHM 1/10W J CRJ10DJ102T
HDMI	R1125		nsp	00MNN05101610	CHIP RES.	100 OHM 1/10W J CRJ10DJ101T
HDMI	R1126		nsp	00MNN05682610	CHIP RES.	6.8K OHM 1/10W J CRJ10DJ682T
HDMI	R1127		nsp	00MNN05152610	CHIP RES.	1.5K OHM 1/10W J CRJ10DJ152T
HDMI	R1128		nsp	00MNN05152610	CHIP RES.	1.5K OHM 1/10W J CRJ10DJ152T
HDMI	R1129		nsp	00MNN05682610	CHIP RES.	6.8K OHM 1/10W J CRJ10DJ682T
HDMI	R1130		nsp	00MNN05101610	CHIP RES.	100 OHM 1/10W J CRJ10DJ101T
HDMI	R1131		nsp	00MNN05103610	CHIP RES.	10K OHM 1/10W J CRJ10DJ103T
HDMI	R1132		nsp	00MNN05000610	CHIP RES.	0 OHM 1/10W J CRJ10DJ0R0T
HDMI	R1133		nsp	00MNN05000610	CHIP RES.	0 OHM 1/10W J CRJ10DJ0R0T
HDMI	R1135		nsp	00MNN05152610	CHIP RES.	1.5K OHM 1/10W J CRJ10DJ152T

P.W.B. NAME	POS. NO.	VERS. COLOR	PART NO. (FOR EUR)	PART NO. (MZ)	PART NAME	DESCRIPTION
HDMI	R1136		nsp	00MNN05223610	CHIP RES.	22K OHM 1/10W J CRJ10DJ223T
HDMI	R1137		nsp	00MNN05103610	CHIP RES.	10K OHM 1/10W J CRJ10DJ103T
HDMI	R1138		nsp	00MNN05101610	CHIP RES.	100 OHM 1/10W J CRJ10DJ101T
HDMI	R1139		nsp	00MNN05472610	CHIP RES.	4.7K OHM 1/10W J CRJ10DJ472T
HDMI	R1140		nsp	00MNN05103610	CHIP RES.	10K OHM 1/10W J CRJ10DJ103T
HDMI	R1141		nsp	00MNN05101610	CHIP RES.	100 OHM 1/10W J CRJ10DJ101T
HDMI	R1142		nsp	00MNN05104610	CHIP RES.	100K OHM 1/10W J CRJ10DJ104T
HDMI	R1143		00MNM12200020	00MNN12200020	CHIP RES.	220 OHM 1% 1/10W J CRJ10DF2200T
HDMI	R1144		nsp	00MNN05100610	CHIP RES.	10 OHM 1/10W J CRJ10DJ100T
HDMI	R1145		nsp	00MNN05101610	CHIP RES.	100 OHM 1/10W J CRJ10DJ101T
HDMI	R1146		nsp	00MNN05100610	CHIP RES.	10 OHM 1/10W J CRJ10DJ100T
HDMI	R1147		nsp	00MNN05100610	CHIP RES.	10 OHM 1/10W J CRJ10DJ100T
HDMI	R1148		nsp	00MNN05271610	CHIP RES.	270 OHM +5% 1/16W CRJ10DJ271T
HDMI	R1149		nsp	00MNN05332610	CHIP RES.	3.3K OHM 1/10W J CRJ10DJ332T
HDMI	R1150		nsp	00MNN05332610	CHIP RES.	3.3K OHM 1/10W J CRJ10DJ332T
HDMI	R1151		nsp	00MNN05152610	CHIP RES.	1.5K OHM 1/10W J CRJ10DJ152T
HDMI	R1152		nsp	00MNN05152610	CHIP RES.	1.5K OHM 1/10W J CRJ10DJ152T
HDMI	R1153		nsp	00MNN05682610	CHIP RES.	6.8K OHM 1/10W J CRJ10DJ682T
HDMI	R1154		nsp	00MNN05682610	CHIP RES.	6.8K OHM 1/10W J CRJ10DJ682T
HDMI	R1155		nsp	00MNN05104610	CHIP RES.	100K OHM 1/10W J CRJ10DJ104T
HDMI	R1156		nsp	00MNN05000610	CHIP RES.	0 OHM 1/10W J CRJ10DJ0R0T
HDMI	R1157		nsp	00MNN05000610	CHIP RES.	0 OHM 1/10W J CRJ10DJ0R0T
HDMI	R1158		nsp	00MNN05682610	CHIP RES.	6.8K OHM 1/10W J CRJ10DJ682T
HDMI	R1159		nsp	00MNN05152610	CHIP RES.	1.5K OHM 1/10W J CRJ10DJ152T
HDMI	R1160		nsp	00MNN05152610	CHIP RES.	1.5K OHM 1/10W J CRJ10DJ152T
HDMI	R1161		nsp	00MNN05682610	CHIP RES.	6.8K OHM 1/10W J CRJ10DJ682T
HDMI	R1162		nsp	00MNN05104610	CHIP RES.	100K OHM 1/10W J CRJ10DJ104T
HDMI	R1163		nsp	00MNN05332610	CHIP RES.	3.3K OHM 1/10W J CRJ10DJ332T
HDMI	R1164		nsp	00MNN05332610	CHIP RES.	3.3K OHM 1/10W J CRJ10DJ332T
HDMI	R1165		nsp	00MNN05000610	CHIP RES.	0 OHM 1/10W J CRJ10DJ0R0T
HDMI	R1166		nsp	00MNN05000610	CHIP RES.	0 OHM 1/10W J CRJ10DJ0R0T
HDMI	R1167		nsp	00MNN05000610	CHIP RES.	0 OHM 1/10W J CRJ10DJ0R0T
HDMI	R1168		nsp	00MNN05000610	CHIP RES.	0 OHM 1/10W J CRJ10DJ0R0T
HDMI	R1176		nsp	00MNN05101610	CHIP RES.	100 OHM 1/10W J CRJ10DJ101T
HDMI	R1177		nsp	00MNN05101610	CHIP RES.	100 OHM 1/10W J CRJ10DJ101T
HDMI	R1178		nsp	00MNN05101610	CHIP RES.	100 OHM 1/10W J CRJ10DJ101T
HDMI	R1179		nsp	00MNN05101610	CHIP RES.	100 OHM 1/10W J CRJ10DJ101T
HDMI	R1180		nsp	00MNN05101610	CHIP RES.	100 OHM 1/10W J CRJ10DJ101T
HDMI	R1181		nsp	00MNN05101610	CHIP RES.	100 OHM 1/10W J CRJ10DJ101T
HDMI	R1182		nsp	00MNN05000610	CHIP RES.	0 OHM 1/10W J CRJ10DJ0R0T
HDMI	R1183		nsp	00MNN05000610	CHIP RES.	0 OHM 1/10W J CRJ10DJ0R0T
HDMI	R1184		nsp	00MNN05000610	CHIP RES.	0 OHM 1/10W J CRJ10DJ0R0T
HDMI	R1185		nsp	00MNN05000610	CHIP RES.	0 OHM 1/10W J CRJ10DJ0R0T
HDMI	R1186		nsp	00MNN05473610	CHIP RES.	47K OHM 1/10W J CRJ10DJ473T
HDMI	RN21		90M-BW000470R	90M-BW000470R	RES. COMPO.	RES ARRAY 0 OHM 1608X4 CRJ104DJ0R0T
HDMI	RN22		90M-BW000470R	90M-BW000470R	RES. COMPO.	RES ARRAY 0 OHM 1608X4 CRJ104DJ0R0T
HDMI	RN23		90M-BW000470R	90M-BW000470R	RES. COMPO.	RES ARRAY 0 OHM 1608X4 CRJ104DJ0R0T
HDMI	RN24		90M-BW000470R	90M-BW000470R	RES. COMPO.	RES ARRAY 0 OHM 1608X4 CRJ104DJ0R0T
HDMI	RN25		90M-BW000470R	90M-BW000470R	RES. COMPO.	RES ARRAY 0 OHM 1608X4 CRJ104DJ0R0T
HDMI	RN26		90M-BW000470R	90M-BW000470R	RES. COMPO.	RES ARRAY 0 OHM 1608X4 CRJ104DJ0R0T
HDMI	RN27		90M-BW000470R	90M-BW000470R	RES. COMPO.	RES ARRAY 0 OHM 1608X4 CRJ104DJ0R0T
HDMI	RN28		90M-BW000470R	90M-BW000470R	RES. COMPO.	RES ARRAY 0 OHM 1608X4 CRJ104DJ0R0T
HDMI	RN29		90M-BW000470R	90M-BW000470R	RES. COMPO.	RES ARRAY 0 OHM 1608X4 CRJ104DJ0R0T
HDMI	RN30		90M-BW000470R	90M-BW000470R	RES. COMPO.	RES ARRAY 0 OHM 1608X4 CRJ104DJ0R0T
HDMI	RN31		90M-BW000400R	90M-BW000400R	RES. COMPO.	22 OHM X4 2012 ARRAY CRJ104DJ220T

P.W.B. NAME	POS. NO.	VERS. COLOR	PART NO. (FOR EUR)	PART NO. (MZ)	PART NAME	DESCRIPTION	
HDMI	RN92		90M-BW000390R	90M-BW000390R	RES. COMPO.	ARC 241 100R ARRAY	CRJ104DJ101T
HDMI	RN93		90M-BW000390R	90M-BW000390R	RES. COMPO.	ARC 241 100R ARRAY	CRJ104DJ101T
HDMI	RN94		90M-BW000390R	90M-BW000390R	RES. COMPO.	ARC 241 100R ARRAY	CRJ104DJ101T
HDMI	X201		90M-JX001430R	90M-JX001430R	X'TAL	28.322MHZ HC-49/S	COX28322E180TF
HDMI	X301		943141008430S	943141008430S	X'TAL	8.636360MHZ (18P)	COX28636E180TF
HDMI	X401		90M-JX001330R	90M-JX001330R	X'TAL	27MHZ	COX27000E180TF
HDMI	X602		943141008430S	943141008430S	X'TAL	HC-49/S 20MHz (12P)	COX20000E120TF
HDMI	X800		90M-JX001190R	90M-JX001190R	X'TAL	20MHZ	HOX20000E220TF
HDMI	X801		90M-JX001420R	90M-JX001420R	X'TAL	17.733MHZ AT-49 12PF	COX17733E12TD
HDMI	X802		90M-JX001340R	90M-JX001340R	X'TAL	24.576MHZ	COX24576E180TF
					INPUT PWB ASS'Y (COP12208B)		
INPUT	BN54		nsp	nsp	CORD	9P WIRE ASSY 300mm	CWB1B00930047
RELAY	C400		nsp	nsp	FILM CAP.	0.047UF 100V J MYLAR	HCQ1H473JZT
RELAY	C401		nsp	00MDK96102300	CER. CAP.	1000PF 50V KC	CCUS1H102KC
RELAY	C402		nsp	nsp	FILM CAP.	0.047UF 100V J MYLAR	HCQ1H473JZT
INPUT	C500	U1B	nsp	00MDD95220300	CER. CAP.	22PF 50V JA	CCUS1H220JA
INPUT	C501	U1B	nsp	00MDD95220300	CER. CAP.	22PF 50V JA	CCUS1H220JA
INPUT	C502	U1B	nsp	00MDK96102300	CER. CAP.	1000PF 50V KC	CCUS1H102KC
INPUT	C503		nsp	00MDK96103300	CER. CAP.	0.01UF 50V KC	CCUS1H103KC
INPUT	C504		nsp	00MDK96103300	CER. CAP.	0.01UF 50V KC	CCUS1H103KC
INPUT	C505	U1B	nsp	00MDK96104300	CER. CAP.	0.1UF 50V K	CCUS1H104KC
INPUT	C506	U1B	nsp	00MDK96104300	CER. CAP.	0.1UF 50V K	CCUS1H104KC
INPUT	C507	U1B	nsp	00MDK96104300	CER. CAP.	0.1UF 50V K	CCUS1H104KC
INPUT	C508		nsp	00MDD95330300	CER. CAP.	33PF 50V JA	CCUS1H330JA
INPUT	C509	U1B	nsp	00MDK96102300	CER. CAP.	1000PF 50V KC	CCUS1H102KC
INPUT	C510	U1B	nsp	00MDK96102300	CER. CAP.	1000PF 50V KC	CCUS1H102KC
INPUT	C511	U1B	nsp	00MDD91100300	CER. CAP.	10PF 50V JA	CCUS1H100JA
INPUT	C512	U1B	nsp	00MDK96102300	CER. CAP.	1000PF 50V KC	CCUS1H102KC
INPUT	C513		00MOA10605020	00MOA10605020	ELECT CAP.	10UF 50V	CCEA1HH100T
INPUT	C514		00MOA10605020	00MOA10605020	ELECT CAP.	10UF 50V	CCEA1HH100T
INPUT	C515		00MOA10605020	00MOA10605020	ELECT CAP.	10UF 50V	CCEA1HH100T
INPUT	C516		00MOA10605020	00MOA10605020	ELECT CAP.	10UF 50V	CCEA1HH100T
INPUT	C517		00MOA10605020	00MOA10605020	ELECT CAP.	10UF 50V	CCEA1HH100T
INPUT	C518		00MOA10605020	00MOA10605020	ELECT CAP.	10UF 50V	CCEA1HH100T
INPUT	C519		00MOA10605020	00MOA10605020	ELECT CAP.	10UF 50V	CCEA1HH100T
INPUT	C520		00MOA10605020	00MOA10605020	ELECT CAP.	10UF 50V	CCEA1HH100T
INPUT	C521		00MOA10605020	00MOA10605020	ELECT CAP.	10UF 50V	CCEA1HH100T
INPUT	C522		00MOA10605020	00MOA10605020	ELECT CAP.	10UF 50V	CCEA1HH100T
INPUT	C523		00MOA10605020	00MOA10605020	ELECT CAP.	10UF 50V	CCEA1HH100T
INPUT	C524		00MOA10605020	00MOA10605020	ELECT CAP.	10UF 50V	CCEA1HH100T
INPUT	C525		00MOA10605020	00MOA10605020	ELECT CAP.	10UF 50V	CCEA1HH100T
INPUT	C526		00MOA10605020	00MOA10605020	ELECT CAP.	10UF 50V	CCEA1HH100T
INPUT	C527		00MOA10605020	00MOA10605020	ELECT CAP.	10UF 50V	CCEA1HH100T
INPUT	C528		00MOA10605020	00MOA10605020	ELECT CAP.	10UF 50V	CCEA1HH100T
INPUT	C529		00MOA10605020	00MOA10605020	ELECT CAP.	10UF 50V	CCEA1HH100T
INPUT	C530		00MOA10605020	00MOA10605020	ELECT CAP.	10UF 50V	CCEA1HH100T
INPUT	C531		00MOA10605020	00MOA10605020	ELECT CAP.	10UF 50V	CCEA1HH100T
INPUT	C532		00MOA10605020	00MOA10605020	ELECT CAP.	10UF 50V	CCEA1HH100T
INPUT	C533		00MOA10605020	00MOA10605020	ELECT CAP.	10UF 50V	CCEA1HH100T
INPUT	C534		00MOA10605020	00MOA10605020	ELECT CAP.	10UF 50V	CCEA1HH100T
INPUT	C535		00MOA10605020	00MOA10605020	ELECT CAP.	10UF 50V	CCEA1HH100T
INPUT	C536		00MOA10605020	00MOA10605020	ELECT CAP.	10UF 50V	CCEA1HH100T
INPUT	C537		00MOA10605020	00MOA10605020	ELECT CAP.	10UF 50V	CCEA1HH100T
INPUT	C538		00MOA10605020	00MOA10605020	ELECT CAP.	10UF 50V	CCEA1HH100T
INPUT	C539	U1B	nsp	00MDK96104300	CER. CAP.	0.1UF 50V K	CCUS1H104KC

P.W.B. NAME	POS. NO.	VERS. COLOR	PART NO. (FOR EUR)	PART NO. (MZ)	PART NAME	DESCRIPTION
INPUT	C540	U1B	nsp	00MEJ47601640	ELECT CAP.	47 UF 16V KS CCEA1CKS470T
INPUT	C541	U1B	nsp	00MDK96102300	CER. CAP.	1000PF 50V KC CCUS1H102KC
INPUT	C542	U1B	nsp	00MDD91100300	CER. CAP.	10PF 50V JA CCUS1H100JA
INPUT	C543		00MOA10701620	00MOA10701620	ELECT CAP.	100UF 16V CCEA1CH101T
INPUT	C544		nsp	00MDK96104300	CER. CAP.	0.1UF 50V K CCUS1H104KC
INPUT	C545		nsp	00MDK96104300	CER. CAP.	0.1UF 50V K CCUS1H104KC
INPUT	C546	U1B	nsp	00MDD95471300	CER. CAP.	470PF 50V JA CCUS1H471JA
INPUT	C547	U1B	nsp	00MDD95471300	CER. CAP.	470PF 50V JA CCUS1H471JA
INPUT	C548	U1B	nsp	90M-EJ000040R	ELECT CAP.	10UF 50V KS CCEA1HKS100T
INPUT	C549	U1B	nsp	00MEJ47601640	ELECT CAP.	47 UF 16V KS CCEA1CKS470T
INPUT	C550		nsp	00MDD95101300	CER. CAP.	100PF 50V JA CCUS1H101JA
INPUT	C551	U1B	nsp	00MDK96104300	CER. CAP.	0.1UF 50V K CCUS1H104KC
INPUT	C552	U1B	nsp	00MOA47602520	ELECT CAP.	47UF 25V CCEA1EH470T
INPUT	C553		nsp	00MDK96103300	CER. CAP.	0.01UF 50V KC CCUS1H103KC
INPUT	C554	U1B	nsp	00MOA10605020	ELECT CAP.	10UF 50V CCEA1HH100T
INPUT	C555	U1B	nsp	00MDK96102300	CER. CAP.	1000PF 50V KC CCUS1H102KC
INPUT	C556		nsp	00MDK96473300	CER. CAP.	0.043UF 50V KC CCUS1H473KC
INPUT	C557		nsp	00MDK96473300	CER. CAP.	0.043UF 50V KC CCUS1H473KC
INPUT	C558		nsp	00MDD95101300	CER. CAP.	100PF 50V JA CCUS1H101JA
INPUT	C559	U1B	nsp	00MDK96473300	CER. CAP.	0.043UF 50V KC CCUS1H473KC
INPUT	C560		nsp	00MDK96103300	CER. CAP.	0.01UF 50V KC CCUS1H103KC
INPUT	C561		nsp	00MDK96104300	CER. CAP.	0.1UF 50V K CCUS1H104KC
INPUT	C562	U1B	nsp	00MOA10605020	ELECT CAP.	10UF 50V CCEA1HH100T
INPUT	C563	U1B	nsp	00MDK96473300	CER. CAP.	0.043UF 50V KC CCUS1H473KC
INPUT	C564		00MOA47602520	00MOA47602520	ELECT CAP.	47UF 25V CCEA1EH470T
INPUT	C565		00MOA10701620	00MOA10701620	ELECT CAP.	100UF 16V CCEA1CH101T
INPUT	C566		00MOA10701620	00MOA10701620	ELECT CAP.	100UF 16V CCEA1CH101T
INPUT	C567	U1B	nsp	00MDD95471300	CER. CAP.	470PF 50V JA CCUS1H471JA
INPUT	C568	U1B	nsp	00MDD95471300	CER. CAP.	470PF 50V JA CCUS1H471JA
INPUT	C569	U1B	nsp	00MOA10605020	ELECT CAP.	10UF 50V CCEA1HH100T
INPUT	C570	U1B	nsp	00MOA47602520	ELECT CAP.	47UF 25V CCEA1EH470T
INPUT	C571	U1B	nsp	00MOA10605020	ELECT CAP.	10UF 50V CCEA1HH100T
INPUT	C572	U1B	nsp	00MOA10605020	ELECT CAP.	10UF 50V CCEA1HH100T
INPUT	C575		nsp	00MDK96473300	CER. CAP.	0.043UF 50V KC CCUS1H473KC
INPUT	C576		nsp	00MDK96473300	CER. CAP.	0.043UF 50V KC CCUS1H473KC
INPUT	C577		nsp	00MDK96104300	CER. CAP.	0.1UF 50V K CCUS1H104KC
INPUT	C579	U1B	nsp	nsp	CER. CAP.	GRM216B11H152KA01D 1500PF 50V CCUS1H152KC
INPUT	C580	U1B	nsp	nsp	CER. CAP.	GRM216B11H152KA01D 1500PF 50V CCUS1H152KC
INPUT	C581		00MOA10701620	00MOA10701620	ELECT CAP.	100UF 16V CCEA1CH101T
INPUT	C582		00MOA22605020	00MOA22605020	ELECT CAP.	22UF 50V CCEA1HH220T
INPUT	C583		00MOA47602520	00MOA47602520	ELECT CAP.	47UF 25V CCEA1EH470T
INPUT	C584		00MOA22605020	00MOA22605020	ELECT CAP.	22UF 50V CCEA1HH220T
INPUT	C585		00MOA22605020	00MOA22605020	ELECT CAP.	22UF 50V CCEA1HH220T
INPUT	C586		00MOA47602520	00MOA47602520	ELECT CAP.	47UF 25V CCEA1EH470T
INPUT	C587		00MOA22605020	00MOA22605020	ELECT CAP.	22UF 50V CCEA1HH220T
INPUT	C588	U1B	nsp	00MOA10701620	ELECT CAP.	100UF 16V CCEA1CH101T
INPUT	C589	U1B	nsp	00MOA10701620	ELECT CAP.	100UF 16V CCEA1CH101T
INPUT	C590		00MOA47602520	00MOA47602520	ELECT CAP.	47UF 25V CCEA1EH470T
INPUT	C591		00MOA10701620	00MOA10701620	ELECT CAP.	100UF 16V CCEA1CH101T
INPUT	C592		00MOA10701620	00MOA10701620	ELECT CAP.	100UF 16V CCEA1CH101T
INPUT	C596		nsp	00MDK96104300	CER. CAP.	0.1UF 50V K CCUS1H104KC
INPUT	C597		nsp	00MDK96473300	CER. CAP.	0.043UF 50V KC CCUS1H473KC
INPUT	C598	U1B	nsp	00MOA10701620	ELECT CAP.	100UF 16V CCEA1CH101T
INPUT	C599		nsp	00MDD95101300	CER. CAP.	100PF 50V JA CCUS1H101JA
INPUT	C600		nsp	00MDD95101300	CER. CAP.	100PF 50V JA CCUS1H101JA

P.W.B. NAME	POS. NO.	VERS. COLOR	PART NO. (FOR EUR)	PART NO. (MZ)	PART NAME	DESCRIPTION
INPUT	C601		nsp	00MDD95101300	CER. CAP.	100PF 50V JA CCUS1H101JA
INPUT	C602		nsp	00MDK96473300	CER. CAP.	0.043UF 50V KC CCUS1H473KC
INPUT	C604		nsp	00MDK96473300	CER. CAP.	0.043UF 50V KC CCUS1H473KC
INPUT	C605		nsp	00MDK96473300	CER. CAP.	0.043UF 50V KC CCUS1H473KC
INPUT	C606	U1B	nsp	00MOA10701620	ELECT CAP.	100UF 16V CCEA1CH101T
INPUT	C607		00MOA10605020	00MOA10605020	ELECT CAP.	10UF 50V CCEA1HH100T
INPUT	C608		nsp	00MDD95471300	CER. CAP.	470PF 50V JA CCUS1H471JA
INPUT	C609		00MOA47602520	00MOA47602520	ELECT CAP.	47UF 25V CCEA1EH470T
INPUT	C610		00MOA47602520	00MOA47602520	ELECT CAP.	47UF 25V CCEA1EH470T
INPUT	C611		00MOA47602520	00MOA47602520	ELECT CAP.	47UF 25V CCEA1EH470T
INPUT	C612		00MOA47602520	00MOA47602520	ELECT CAP.	47UF 25V CCEA1EH470T
INPUT	C613		00MOA47602520	00MOA47602520	ELECT CAP.	47UF 25V CCEA1EH470T
INPUT	C614		00MOA47602520	00MOA47602520	ELECT CAP.	47UF 25V CCEA1EH470T
INPUT	C615		00MOA47602520	00MOA47602520	ELECT CAP.	47UF 25V CCEA1EH470T
INPUT	C616		00MOA47602520	00MOA47602520	ELECT CAP.	47UF 25V CCEA1EH470T
INPUT	C617		00MOA10605020	00MOA10605020	ELECT CAP.	10UF 50V CCEA1HH100T
INPUT	C618		nsp	00MDD95471300	CER. CAP.	470PF 50V JA CCUS1H471JA
INPUT	C619		00MOA22605020	00MOA22605020	ELECT CAP.	22UF 50V CCEA1HH220T
INPUT	C620		00MOA22605020	00MOA22605020	ELECT CAP.	22UF 50V CCEA1HH220T
INPUT	C621		00MOA22605020	00MOA22605020	ELECT CAP.	22UF 50V CCEA1HH220T
INPUT	C622		00MOA22605020	00MOA22605020	ELECT CAP.	22UF 50V CCEA1HH220T
INPUT	C623		00MOA10605020	00MOA10605020	ELECT CAP.	10UF 50V CCEA1HH100T
INPUT	C624		00MOA22605020	00MOA22605020	ELECT CAP.	22UF 50V CCEA1HH220T
INPUT	C625		00MOA22605020	00MOA22605020	ELECT CAP.	22UF 50V CCEA1HH220T
INPUT	C626		00MOA22605020	00MOA22605020	ELECT CAP.	22UF 50V CCEA1HH220T
INPUT	C627		00MOA22605020	00MOA22605020	ELECT CAP.	22UF 50V CCEA1HH220T
INPUT	C628		00MOA22605020	00MOA22605020	ELECT CAP.	22UF 50V CCEA1HH220T
INPUT	C629		00MOA22605020	00MOA22605020	ELECT CAP.	22UF 50V CCEA1HH220T
INPUT	C630		00MOA22605020	00MOA22605020	ELECT CAP.	22UF 50V CCEA1HH220T
INPUT	C631		00MOA22605020	00MOA22605020	ELECT CAP.	22UF 50V CCEA1HH220T
INPUT	C632		00MOA22605020	00MOA22605020	ELECT CAP.	22UF 50V CCEA1HH220T
INPUT	C633		00MOA22605020	00MOA22605020	ELECT CAP.	22UF 50V CCEA1HH220T
INPUT	C634		00MOA22605020	00MOA22605020	ELECT CAP.	22UF 50V CCEA1HH220T
INPUT	C635		00MOA22605020	00MOA22605020	ELECT CAP.	22UF 50V CCEA1HH220T
INPUT	C636		00D9430045908	00D9430045908	ELECT CAP.	22UF 16V CCEA1CH220T
INPUT	C637		00D9430045908	00D9430045908	ELECT CAP.	22UF 16V CCEA1CH220T
INPUT	C638		00D9430045908	00D9430045908	ELECT CAP.	22UF 16V CCEA1CH220T
INPUT	C639		00D9430045908	00D9430045908	ELECT CAP.	22UF 16V CCEA1CH220T
INPUT	C640		nsp	00MDD95101300	CER. CAP.	100PF 50V JA CCUS1H101JA
INPUT	C641		nsp	00MDD95101300	CER. CAP.	100PF 50V JA CCUS1H101JA
INPUT	C642		00MOA10605020	00MOA10605020	ELECT CAP.	10UF 50V CCEA1HH100T
INPUT	C643		00MOA47602520	00MOA47602520	ELECT CAP.	47UF 25V CCEA1EH470T
INPUT	C644		00MOA47602520	00MOA47602520	ELECT CAP.	47UF 25V CCEA1EH470T
INPUT	C645		nsp	00MDD95101300	CER. CAP.	100PF 50V JA CCUS1H101JA
INPUT	C646		nsp	00MDD95101300	CER. CAP.	100PF 50V JA CCUS1H101JA
INPUT	C647		nsp	00MDD95101300	CER. CAP.	100PF 50V JA CCUS1H101JA
INPUT	C648		nsp	00MDD95101300	CER. CAP.	100PF 50V JA CCUS1H101JA
INPUT	C649		nsp	00MDD95101300	CER. CAP.	100PF 50V JA CCUS1H101JA
INPUT	C650		nsp	00MDD95101300	CER. CAP.	100PF 50V JA CCUS1H101JA
INPUT	C651		nsp	00MDD95101300	CER. CAP.	100PF 50V JA CCUS1H101JA
INPUT	C652		nsp	00MDD95101300	CER. CAP.	100PF 50V JA CCUS1H101JA
INPUT	C653		00MOA22801620	00MOA22801620	ELECT CAP.	2200UF 16V CCEA1CH222E
INPUT	C654		nsp	00MDD95471300	CER. CAP.	470PF 50V JA CCUS1H471JA
INPUT	C655		nsp	00MDD95471300	CER. CAP.	470PF 50V JA CCUS1H471JA
INPUT	C656		00MOA47602520	00MOA47602520	ELECT CAP.	47UF 25V CCEA1EH470T

P.W.B. NAME	POS. NO.	VERS. COLOR	PART NO. (FOR EUR)	PART NO. (MZ)	PART NAME	DESCRIPTION
INPUT	C657		00MOA47602520	00MOA47602520	ELECT CAP.	47UF 25V CCEA1EH470T
INPUT	C658		00MOA47602520	00MOA47602520	ELECT CAP.	47UF 25V CCEA1EH470T
INPUT	C659		00MOA47602520	00MOA47602520	ELECT CAP.	47UF 25V CCEA1EH470T
INPUT	C660		00MOA47602520	00MOA47602520	ELECT CAP.	47UF 25V CCEA1EH470T
INPUT	C661		00MOA47602520	00MOA47602520	ELECT CAP.	47UF 25V CCEA1EH470T
INPUT	C662		00MOA47601640	00MOA47601640	ELECT CAP.	47UF 16V CCEA1CH470T
INPUT	C663		00MOA47601640	00MOA47601640	ELECT CAP.	47UF 16V CCEA1CH470T
INPUT	C664		nsp	00MDD95471300	CER. CAP.	470PF 50V JA CCUS1H471JA
INPUT	C665		nsp	00MDD95471300	CER. CAP.	470PF 50V JA CCUS1H471JA
INPUT	C666		nsp	00MDD95471300	CER. CAP.	470PF 50V JA CCUS1H471JA
INPUT	C667		nsp	00MDD95471300	CER. CAP.	470PF 50V JA CCUS1H471JA
INPUT	C668		nsp	00MDD95471300	CER. CAP.	470PF 50V JA CCUS1H471JA
INPUT	C669		nsp	00MDD95471300	CER. CAP.	470PF 50V JA CCUS1H471JA
INPUT	C670		nsp	00MDD95471300	CER. CAP.	470PF 50V JA CCUS1H471JA
INPUT	C671		nsp	00MDD95471300	CER. CAP.	470PF 50V JA CCUS1H471JA
INPUT	C672		00MOA47701020	00MOA47701020	ELECT CAP.	470UF 10V CCEA1AH471T
INPUT	C673		nsp	00MDD95471300	CER. CAP.	470PF 50V J CCUS1H471JA
INPUT	C674		nsp	00MDD95471300	CER. CAP.	470PF 50V J CCUS1H471JA
INPUT	C675		nsp	00MDD95471300	CER. CAP.	470PF 50V JA CCUS1H471JA
INPUT	C676		nsp	00MDD95471300	CER. CAP.	470PF 50V JA CCUS1H471JA
INPUT	C677		nsp	00MDD95471300	CER. CAP.	470PF 50V JA CCUS1H471JA
INPUT	C678		nsp	00MDD95471300	CER. CAP.	470PF 50V JA CCUS1H471JA
INPUT	C679		nsp	00MDD95471300	CER. CAP.	470PF 50V JA CCUS1H471JA
INPUT	C680		nsp	00MDD95471300	CER. CAP.	470PF 50V JA CCUS1H471JA
INPUT	C681		nsp	00MDD95471300	CER. CAP.	470PF 50V JA CCUS1H471JA
INPUT	C682		nsp	00MDD95471300	CER. CAP.	470PF 50V JA CCUS1H471JA
INPUT	C683		nsp	00MDD95471300	CER. CAP.	470PF 50V JA CCUS1H471JA
INPUT	C684		nsp	00MDD95471300	CER. CAP.	470PF 50V JA CCUS1H471JA
INPUT	C685		nsp	00MDD95471300	CER. CAP.	470PF 50V JA CCUS1H471JA
INPUT	C686		nsp	00MDD95471300	CER. CAP.	470PF 50V JA CCUS1H471JA
INPUT	C687		nsp	00MDD95471300	CER. CAP.	470PF 50V JA CCUS1H471JA
INPUT	C688		nsp	00MDD95471300	CER. CAP.	470PF 50V JA CCUS1H471JA
INPUT	C689		nsp	00MDD95471300	CER. CAP.	470PF 50V JA CCUS1H471JA
INPUT	C690		nsp	00MDD95471300	CER. CAP.	470PF 50V JA CCUS1H471JA
INPUT	C691		nsp	00MDD95471300	CER. CAP.	470PF 50V JA CCUS1H471JA
INPUT	C692		nsp	00MDD95471300	CER. CAP.	470PF 50V JA CCUS1H471JA
INPUT	C693		nsp	00MDD95471300	CER. CAP.	470PF 50V JA CCUS1H471JA
INPUT	C694		nsp	00MDD95471300	CER. CAP.	470PF 50V JA CCUS1H471JA
INPUT	C695		nsp	00MDD95471300	CER. CAP.	470PF 50V JA CCUS1H471JA
INPUT	C696		nsp	00MDD95471300	CER. CAP.	470PF 50V JA CCUS1H471JA
INPUT	C697		nsp	00MDD95471300	CER. CAP.	470PF 50V JA CCUS1H471JA
INPUT	C698		nsp	00MDD95471300	CER. CAP.	470PF 50V JA CCUS1H471JA
INPUT	C699		nsp	00MDD95471300	CER. CAP.	470PF 50V JA CCUS1H471JA
INPUT	C700		nsp	00MDD95471300	CER. CAP.	470PF 50V JA CCUS1H471JA
INPUT	C701	U1B	nsp	00MDK96104300	CER. CAP.	0.1UF 50V K CCUS1H104KC
INPUT	C702	U1B	nsp	00MDK96104300	CER. CAP.	0.1UF 50V K CCUS1H104KC
INPUT	C703	U1B	nsp	00MDK96104300	CER. CAP.	0.1UF 50V K CCUS1H104KC
INPUT	C704	U1B	nsp	00MDK96104300	CER. CAP.	0.1UF 50V K CCUS1H104KC
INPUT	C705	U1B	nsp	00MDK96104300	CER. CAP.	0.1UF 50V K CCUS1H104KC
INPUT	C706	U1B	nsp	00MDK96104300	CER. CAP.	0.1UF 50V K CCUS1H104KC
INPUT	C707	U1B	nsp	00MDK96104300	CER. CAP.	0.1UF 50V K CCUS1H104KC
INPUT	C708	U1B	nsp	00MDK96104300	CER. CAP.	0.1UF 50V K CCUS1H104KC
INPUT	C709	U1B	nsp	00MDK96104300	CER. CAP.	0.1UF 50V K CCUS1H104KC
INPUT	C710	U1B	nsp	00MDK96104300	CER. CAP.	0.1UF 50V K CCUS1H104KC
INPUT	C711	U1B	nsp	00MDK96104300	CER. CAP.	0.1UF 50V K CCUS1H104KC

P.W.B. NAME	POS. NO.	VERS. COLOR	PART NO. (FOR EUR)	PART NO. (MZ)	PART NAME	DESCRIPTION
INPUT	C712		nsp	00MDK96473300	CER. CAP.	0.043UF 50V KC CCUS1H473KC
INPUT	C713		nsp	00MDK96473300	CER. CAP.	0.043UF 50V KC CCUS1H473KC
INPUT	C714		nsp	00MDK96473300	CER. CAP.	0.043UF 50V KC CCUS1H473KC
INPUT	C715		nsp	00MDK96473300	CER. CAP.	0.043UF 50V KC CCUS1H473KC
INPUT	C716		nsp	00MDK96473300	CER. CAP.	0.043UF 50V KC CCUS1H473KC
INPUT	C717		nsp	00MDK96473300	CER. CAP.	0.043UF 50V KC CCUS1H473KC
INPUT	C718		nsp	00MDK96473300	CER. CAP.	0.043UF 50V KC CCUS1H473KC
INPUT	C719		nsp	00MDK96473300	CER. CAP.	0.043UF 50V KC CCUS1H473KC
INPUT	C720		nsp	00MDK96473300	CER. CAP.	0.043UF 50V KC CCUS1H473KC
INPUT	C721		nsp	00MDK96473300	CER. CAP.	0.043UF 50V KC CCUS1H473KC
INPUT	C722		nsp	00MDK96104300	CER. CAP.	0.1UF 50V K CCUS1H104KC
INPUT	C723		nsp	00MDK96104300	CER. CAP.	0.1UF 50V K CCUS1H104KC
INPUT	C724		nsp	00MDK96104300	CER. CAP.	0.1UF 50V K CCUS1H104KC
INPUT	C725		nsp	00MDK96104300	CER. CAP.	0.1UF 50V K CCUS1H104KC
INPUT	C726		nsp	00MDK96104300	CER. CAP.	0.1UF 50V K CCUS1H104KC
INPUT	C727		nsp	00MDK96104300	CER. CAP.	0.1UF 50V K CCUS1H104KC
INPUT	C728		nsp	00MDK96104300	CER. CAP.	0.1UF 50V K CCUS1H104KC
INPUT	C729		nsp	00MDK96104300	CER. CAP.	0.1UF 50V K CCUS1H104KC
INPUT	C730		nsp	00MDK96104300	CER. CAP.	0.1UF 50V K CCUS1H104KC
INPUT	C731		nsp	00MDK96104300	CER. CAP.	0.1UF 50V K CCUS1H104KC
INPUT	C732		nsp	00MDK96104300	CER. CAP.	0.1UF 50V K CCUS1H104KC
INPUT	C733		nsp	00MDK96104300	CER. CAP.	0.1UF 50V K CCUS1H104KC
RELAY	CN43		nsp	nsp	CONN.	8P PIN HEADER 2.54ÇİÇİ ANGLE CJP08GB142ZB
RELAY	CN44		nsp	nsp	CONN.	12P PIN HEADER 2.54MM ANGLE CJP12GB142ZB
INPUT	CN50		nsp	nsp	CONN.	50P PIN HEADER 2.54MM ANGLE CJP50GB142ZB
INPUT	CN51		nsp	nsp	CONN.	15P 12511HS-15 FFC CJP15GA115ZY
INPUT	CN52		nsp	nsp	CONN.	23P WAFER CJP23GA115ZY
INPUT	CN53		nsp	nsp	CONN.	9P STRAIGHT WAFER 2.5MM CJP09GI237ZW
INPUT	CN58		nsp	nsp	CONN.	7P STRAIGHT WAFER 2MM CJP07GI236ZW
RELAY	CN59		nsp	nsp	CONN.	6P PIN HEADER 2.54MM CJP06GB142ZB
RELAY	D400		00MHZ21303210	00MHZ21303210	DIODE	1SS355 CVD1SS355T
INPUT	D403		00MHZ21303210	00MHZ21303210	DIODE	1SS355 CVD1SS355T
INPUT	D404		00MHZ21303210	00MHZ21303210	DIODE	1SS355 CVD1SS355T
INPUT	D500		00MHZ21303210	00MHZ21303210	DIODE	1SS355 CVD1SS355T
INPUT	D501		00MHZ21303210	00MHZ21303210	DIODE	1SS355 CVD1SS355T
INPUT	D502	U1B	nsp	00MHZ21303210	DIODE	1SS355 CVD1SS355T
INPUT	D503		90M-HD201750R	90M-HD201750R	DIODE	1N4003 CVD1N4003SRT
INPUT	D504		90M-HD201750R	90M-HD201750R	DIODE	1N4003 CVD1N4003SRT
INPUT	D507	U1B	nsp	00MHZ21303210	DIODE	1SS355 CVD1SS355T
INPUT	D508		90M-HD201820R	90M-HD201820R	DIODE	RB160L-60TE25 HVDRB160L60TE25
INPUT	D509		90M-HD201820R	90M-HD201820R	DIODE	RB160L-60TE25 HVDRB160L60TE25
INPUT	D510	U1B	nsp	00MHZ21303210	DIODE	1SS355 CVD1SS355T
INPUT	D511	U1B	nsp	00MHZ21303210	DIODE	1SS355 CVD1SS355T
INPUT	D513		00MHZ21303210	00MHZ21303210	DIODE	1SS355 CVD1SS355T
INPUT	D514		00MHZ21303210	00MHZ21303210	DIODE	1SS355 CVD1SS355T
INPUT	D515		90M-HD201750R	90M-HD201750R	DIODE	1N4003 CVD1N4003SRT
INPUT	D516		90M-HD201750R	90M-HD201750R	DIODE	1N4003 CVD1N4003SRT
INPUT	D517		00MHZ21303210	00MHZ21303210	DIODE	1SS355 CVD1SS355T
INPUT	D518		00MHZ21303210	00MHZ21303210	DIODE	1SS355 CVD1SS355T
INPUT	D519		00MHZ21303210	00MHZ21303210	DIODE	1SS355 CVD1SS355T
INPUT	D520		00MHZ21303210	00MHZ21303210	DIODE	1SS355 CVD1SS355T
INPUT	D521		00MHZ21303210	00MHZ21303210	DIODE	1SS355 CVD1SS355T
INPUT	D522		00MHZ21303210	00MHZ21303210	DIODE	1SS355 CVD1SS355T
INPUT	D523		00MHZ21303210	00MHZ21303210	DIODE	1SS355 CVD1SS355T
INPUT	D524		00MHZ21303210	00MHZ21303210	DIODE	1SS355 CVD1SS355T

P.W.B. NAME	POS. NO.	VERS. COLOR	PART NO. (FOR EUR)	PART NO. (MZ)	PART NAME	DESCRIPTION
INPUT	D525		00MHZ21303210	00MHZ21303210	DIODE	1SS355 CVD1SS355T
INPUT	D526		00MHZ21303210	00MHZ21303210	DIODE	1SS355 CVD1SS355T
INPUT	DL50		90M-HI200020R	90M-HI200020R	L.E.D.	SIR-34ST3F BVDSIR34ST3F
INPUT	ET21		nsp	nsp	BUFFER	STOPPER IR SENSOR CHG1A262
INPUT	ET22		nsp	nsp	BRACKET	BRACKET SHIELD CMD1A512
INPUT	F500	U1B	nsp	90M-FC900340R	FERRITE CORE	HU-1H4516-600JT CLZ92014Z
INPUT	F501	U1B	nsp	90M-FC900340R	FERRITE CORE	HU-1H4516-600JT CLZ92014Z
INPUT	F502	U1B	nsp	90M-FC900460R	EMI FILTER	CHIP BEAD NFM21PC474R1C3 CLZ9R007Z
INPUT	F503	U1B	nsp	90M-FC900460R	EMI FILTER	CHIP BEAD NFM21PC474R1C3 CLZ9R007Z
INPUT	IC50	U1B	nsp	943235003860S	IC	BU9450KV CVIBU9450KV
INPUT	IC51		90M-HW100690R	90M-HW100690R	PHOTO UNIT	RPM674CBR-S CRVRPM6936
INPUT	IC52	U1B	nsp	943235003870S	IC	CS4352CZZR CVICS4352CZZR
INPUT	IC53	U1B	nsp	00MHC705205Y0	IC	TC74HC4052AFT CVITC74HC4052AFT
INPUT	IC54		943235003810S	943235003810S	IC	R2A15218FP CVIR2A15218FP
INPUT	IC55		90M-HC109850R	90M-HC109850R	IC	BD3812F CVIBD3812F
INPUT	IC56		00MHC10102090	00MHC10102090	IC	NJM2068MD-TE1 HVINJM2068MDTE1
INPUT	IC57		00MHC10102090	00MHC10102090	IC	NJM2068MD-TE1 HVINJM2068MDTE1
INPUT	IC58		00MHC10102090	00MHC10102090	IC	NJM2068MD-TE1 HVINJM2068MDTE1
INPUT	IC59		00MHC10102090	00MHC10102090	IC	NJM2068MD-TE1 HVINJM2068MDTE1
INPUT	IC60		00MHC10102090	00MHC10102090	IC	NJM2068MD-TE1 HVINJM2068MDTE1
INPUT	IC61		00MHC10102090	00MHC10102090	IC	NJM2068MD-TE1 HVINJM2068MDTE1
INPUT	JK50		90M-YJ002760R	90M-YJ002760R	TERMINAL	STEREO 2P 3.5MM HSJ1002-016020 HJJ1D002Z
INPUT	JK51		90M-YT003120R	90M-YT003120R	TERMINAL	CINCH 2P JE0200598N CJJ4N036Z
INPUT	JK52	U1B	nsp	00D2051362009	TERMINAL	XM JACK CAM-D96 CAM D96 R41 402 CJJ9L006Z
INPUT	JK53		90M-YT002960R	90M-YT002960R	TERMINAL	CINCH 6P AUDIO CJJ4R019Z
INPUT	JK54		90M-YT002960R	90M-YT002960R	TERMINAL	CINCH 6P AUDIO CJJ4R019Z
INPUT	JK55		90M-YT002960R	90M-YT002960R	TERMINAL	CINCH 6P AUDIO CJJ4R019Z
INPUT	JK56		90M-YT005000R	90M-YT005000R	TERMINAL	CINCH 8P C/SUB/SBL/SBR CJJ4P059Z
INPUT	JK57		90M-YT004050R	90M-YT004050R	TERMINAL	RCA-401DA-16 CJJ4P052Z
INPUT	L500	U1B	nsp	00MFN21000080	EMI FILTER	DLW21HN121SQ2L CLZ9R008Z
INPUT	L501		90M-FC900400R	90M-FC900400R	FERRITE CORE	BEAD CHIP 60(1608 SIZE) CLZ9R005Z
INPUT	L502	U1B	nsp	943117003880S	EMI FILTER	FCI2012F-1R5K CLQ08E1R5KRZ
INPUT	L503		90M-FC900400R	90M-FC900400R	FERRITE CORE	BEAD CHIP 60(1608 SIZE) CLZ9R005Z
INPUT	L504		90M-FC900400R	90M-FC900400R	FERRITE CORE	BEAD CHIP 60(1608 SIZE) CLZ9R005Z
INPUT	L505		90M-FC900340R	90M-FC900340R	FERRITE CORE	HU-1H4516-600JT CLZ92014Z
RELAY	Q400		00MHT600111B0	00MHT600111B0	TRS.	KTA1267Y HVTKTA1267YT
RELAY	Q401		90M-HX800080R	90M-HX800080R	CHIP TRS.	KRC107S HVTKRC107S
INPUT	Q500		90M-HX800010R	90M-HX800010R	CHIP TRS.	KRC102S HVTKRC102S
INPUT	Q501		00MHT600121A0	00MHT600121A0	TRS.	KTA1268GR HVTKTA1268GRT
INPUT	Q502		90M-HX600010R	90M-HX600010R	CHIP TRS.	KRA102S HVTKRA102S
INPUT	Q503	U1B	nsp	90M-BA001620R	CHIP TRS.	KRC103S CVTKRC103S
INPUT	Q504		90M-HT300970R	90M-HT300970R	TRS.	KTC2875B HVTKTC2875B
INPUT	Q506		00MHF201171D0	00MHF201171D0	F.E.T	2SK117-BL HVT2SK117-BL
INPUT	Q507		90M-HX600010R	90M-HX600010R	CHIP TRS.	KRA102S HVTKRA102S
INPUT	Q508		90M-HX800010R	90M-HX800010R	CHIP TRS.	KRC102S HVTKRC102S
INPUT	Q509		90M-HX600010R	90M-HX600010R	CHIP TRS.	KRA102S HVTKRA102S
INPUT	Q510		90M-HX600010R	90M-HX600010R	CHIP TRS.	KRA102S HVTKRA102S
INPUT	Q511	U1B	nsp	90M-BA001630R	CHIP TRS.	KRA103S HVTKRA103S
INPUT	Q512	U1B	nsp	90M-BA001620R	CHIP TRS.	KRC103S CVTKRC103S
INPUT	Q513		90M-HC300970R	90M-HC300970R	IC	KIA78S06 CVIKIA78S06PAT
INPUT	Q514		nsp	90M-HC300980R	IC	KIA79S06 CVIKIA79S06PAT
INPUT	Q515	U1B	nsp	90M-HT300970R	TRS.	KTC2875B HVTKTC2875B
INPUT	Q516	U1B	nsp	90M-HT300970R	TRS.	KTC2875B HVTKTC2875B
INPUT	Q519	U1B	nsp	00MHC98520320	IC	PQ20VZ51 CVIPQ20VZ51
INPUT	Q520	U1B	nsp	90M-HC900150R	IC	KIA1117S/F33 REGULATOR(SOT-223) CVIKIA1117S33

P.W.B. NAME	POS. NO.	VERS. COLOR	PART NO. (FOR EUR)	PART NO. (MZ)	PART NAME	DESCRIPTION
INPUT	Q521		90M-HX800010R	90M-HX800010R	CHIP TRS.	KRC102S HVTKRC102S
INPUT	Q522		00D2690193901	00D2690193901	CHIP TRS.	KRC104S CVTKRC104S
INPUT	Q523		00D2690193901	00D2690193901	CHIP TRS.	KRC104S CVTKRC104S
INPUT	Q524		00D2690193901	00D2690193901	CHIP TRS.	KRC104S CVTKRC104S
INPUT	Q525		90M-HT300970R	90M-HT300970R	TRS.	KTC2875B HVTKTC2875B
INPUT	Q526		90M-HT300970R	90M-HT300970R	TRS.	KTC2875B HVTKTC2875B
INPUT	Q527		90M-HT300970R	90M-HT300970R	TRS.	KTC2875B HVTKTC2875B
INPUT	Q528		90M-HT300970R	90M-HT300970R	TRS.	KTC2875B HVTKTC2875B
INPUT	Q529		90M-HX600010R	90M-HX600010R	CHIP TRS.	KRA102S HVTKRA102S
INPUT	Q530		90M-HX600010R	90M-HX600010R	CHIP TRS.	KRA102S HVTKRA102S
INPUT	Q531		90M-HX600010R	90M-HX600010R	CHIP TRS.	KRA102S HVTKRA102S
INPUT	Q532		90M-HX600010R	90M-HX600010R	CHIP TRS.	KRA102S HVTKRA102S
INPUT	Q533		90M-HT300970R	90M-HT300970R	TRS.	KTC2875B HVTKTC2875B
INPUT	Q534		90M-HT300970R	90M-HT300970R	TRS.	KTC2875B HVTKTC2875B
INPUT	Q535		90M-HT300970R	90M-HT300970R	TRS.	KTC2875B HVTKTC2875B
INPUT	Q536		90M-HT300970R	90M-HT300970R	TRS.	KTC2875B HVTKTC2875B
INPUT	Q537		90M-HT300970R	90M-HT300970R	TRS.	KTC2875B HVTKTC2875B
INPUT	Q538		90M-HT300970R	90M-HT300970R	TRS.	KTC2875B HVTKTC2875B
INPUT	Q539		90M-HT300970R	90M-HT300970R	TRS.	KTC2875B HVTKTC2875B
INPUT	Q540		90M-HT300970R	90M-HT300970R	TRS.	KTC2875B HVTKTC2875B
INPUT	Q541		90M-HT300970R	90M-HT300970R	TRS.	KTC2875B HVTKTC2875B
INPUT	Q542		90M-HT300970R	90M-HT300970R	TRS.	KTC2875B HVTKTC2875B
INPUT	Q543		90M-HT300970R	90M-HT300970R	TRS.	KTC2875B HVTKTC2875B
INPUT	Q544		90M-HT300970R	90M-HT300970R	TRS.	KTC2875B HVTKTC2875B
INPUT	Q545		90M-HT300970R	90M-HT300970R	TRS.	KTC2875B HVTKTC2875B
INPUT	Q546		90M-HT300970R	90M-HT300970R	TRS.	KTC2875B HVTKTC2875B
INPUT	Q547		90M-HT300970R	90M-HT300970R	TRS.	KTC2875B HVTKTC2875B
INPUT	Q548		90M-HT300970R	90M-HT300970R	TRS.	KTC2875B HVTKTC2875B
INPUT	Q549		90M-HX600010R	90M-HX600010R	CHIP TRS.	KRA102S HVTKRA102S
INPUT	Q550		90M-HX800010R	90M-HX800010R	CHIP TRS.	KRC102S HVTKRC102S
INPUT	Q551		00D2690193901	00D2690193901	CHIP TRS.	KRC104S CVTKRC104S
INPUT	Q552		00D2690193901	00D2690193901	CHIP TRS.	KRC104S CVTKRC104S
INPUT	Q553		00D2690193901	00D2690193901	CHIP TRS.	KRC104S CVTKRC104S
INPUT	Q554		90M-HX600010R	90M-HX600010R	CHIP TRS.	KRA102S HVTKRA102S
INPUT	Q555		90M-HX600010R	90M-HX600010R	CHIP TRS.	KRA102S HVTKRA102S
INPUT	Q556		90M-HX600010R	90M-HX600010R	CHIP TRS.	KRA102S HVTKRA102S
RELAY	R400		nsp	00MNN05103610	CHIP RES.	10K OHM 1/10W J CRJ10DJ103T
RELAY	R401		nsp	00MNN05472610	CHIP RES.	4.7K OHM 1/10W J CRJ10DJ472T
RELAY	R402		nsp	00MNN05047610	CHIP RES.	4.7 OHM 1/10W J CRJ10DJ4R7T
RELAY	R403		00MGA05100010	00MGA05100010	RES.	10 OHM METAL OXIDE FILM CRG1ANJ100H
RELAY	R404		00MGA05100010	00MGA05100010	RES.	10 OHM METAL OXIDE FILM CRG1ANJ100H
INPUT	R500		nsp	00MNN05102610	CHIP RES.	1K OHM 1/10W J CRJ10DJ102T
INPUT	R501		nsp	00MNN05123610	CHIP RES.	12K OHM 1/10W J CRJ10DJ123T
INPUT	R502		nsp	00MNN05470610	CHIP RES.	47 OHM 1/10W J CRJ10DJ470T
INPUT	R503	U1B	nsp	00MNN05102610	CHIP RES.	1K OHM 1/10W J CRJ10DJ102T
INPUT	R504	U1B	nsp	00MNN05101610	CHIP RES.	100 OHM 1/10W J CRJ10DJ101T
INPUT	R505	U1B	nsp	00MNN05101610	CHIP RES.	100 OHM 1/10W J CRJ10DJ101T
INPUT	R506	U1B	nsp	00MNN05102610	CHIP RES.	1K OHM 1/10W J CRJ10DJ102T
INPUT	R507	U1B	nsp	00MNN05223610	CHIP RES.	22K OHM 1/10W J CRJ10DJ223T
INPUT	R508	U1B	nsp	00MNN05101610	CHIP RES.	100 OHM 1/10W J CRJ10DJ101T
INPUT	R509	U1B	nsp	00MNN05223610	CHIP RES.	22K OHM 1/10W J CRJ10DJ223T
INPUT	R510	U1B	nsp	00MNN05101610	CHIP RES.	100 OHM 1/10W J CRJ10DJ101T
INPUT	R511	U1B	nsp	00MNN05104610	CHIP RES.	100K OHM 1/10W J CRJ10DJ104T
INPUT	R512	U1B	nsp	00MNN05223610	CHIP RES.	22K OHM 1/10W J CRJ10DJ223T
INPUT	R513	U1B	nsp	00MNN05101610	CHIP RES.	100 OHM 1/10W J CRJ10DJ101T

P.W.B. NAME	POS. NO.	VERS. COLOR	PART NO. (FOR EUR)	PART NO. (MZ)	PART NAME	DESCRIPTION
INPUT	R514	U1B	nsp	00MNN05000610	CHIP RES.	0 OHM 1/10W J CRJ10DJ0R0T
INPUT	R515	U1B	nsp	00MNN05223610	CHIP RES.	22K OHM 1/10W J CRJ10DJ223T
INPUT	R516	U1B	nsp	00MNN05104610	CHIP RES.	100K OHM 1/10W J CRJ10DJ104T
INPUT	R517	U1B	nsp	00MNN05000610	CHIP RES.	0 OHM 1/10W J CRJ10DJ0R0T
INPUT	R518	U1B	nsp	00MNN05223610	CHIP RES.	22K OHM 1/10W J CRJ10DJ223T
INPUT	R519		nsp	00MNN05221610	CHIP RES.	220 OHM 1/10W J CRJ10DJ221T
INPUT	R520		nsp	00MNN05221610	CHIP RES.	220 OHM 1/10W J CRJ10DJ221T
INPUT	R521	U1B	nsp	00MNN05105610	CHIP RES.	1M OHM 1/10W J CRJ10DJ105T
INPUT	R522	U1B	nsp	00MNN05101610	CHIP RES.	100 OHM 1/10W J CRJ10DJ101T
INPUT	R523	U1B	nsp	00MNN05223610	CHIP RES.	22K OHM 1/10W J CRJ10DJ223T
INPUT	R524	U1B	nsp	00MNN05101610	CHIP RES.	100 OHM 1/10W J CRJ10DJ101T
INPUT	R525	U1B	nsp	00MNN05223610	CHIP RES.	22K OHM 1/10W J CRJ10DJ223T
INPUT	R526	U1B	nsp	00MNN05223610	CHIP RES.	22K OHM 1/10W J CRJ10DJ223T
INPUT	R528	U1B	nsp	00MNN05223610	CHIP RES.	22K OHM 1/10W J CRJ10DJ223T
INPUT	R529		nsp	00MNN05682610	CHIP RES.	6.8K OHM 1/10W J CRJ10DJ682T
INPUT	R530	U1B	nsp	00MNN05220610	CHIP RES.	22 OHM 1/10W J CRJ10DJ220T
INPUT	R531	U1B	nsp	00MNN05220610	CHIP RES.	22 OHM 1/10W J CRJ10DJ220T
INPUT	R532	U1B	nsp	00MNN05220610	CHIP RES.	22 OHM 1/10W J CRJ10DJ220T
INPUT	R533	U1B	nsp	00MNN05220610	CHIP RES.	22 OHM 1/10W J CRJ10DJ220T
INPUT	R534	U1B	nsp	00MNN05000610	CHIP RES.	0 OHM 1/10W J CRJ10DJ0R0T
INPUT	R535	U1B	nsp	00MNN05223610	CHIP RES.	22K OHM 1/10W J CRJ10DJ223T
INPUT	R536	U1B	nsp	00MNN05223610	CHIP RES.	22K OHM 1/10W J CRJ10DJ223T
INPUT	R537	U1B	nsp	00MNN05223610	CHIP RES.	22K OHM 1/10W J CRJ10DJ223T
INPUT	R538	U1B	nsp	00MNN05832610	CHIP RES.	82K OHM 1/10W J CRJ10DJ823T
INPUT	R539	U1B	nsp	00MNN05101610	CHIP RES.	100 OHM 1/10W J CRJ10DJ101T
INPUT	R540	U1B	nsp	00MNN05101610	CHIP RES.	100 OHM 1/10W J CRJ10DJ101T
INPUT	R541	U1B	nsp	00MNN05832610	CHIP RES.	82K OHM 1/10W J CRJ10DJ823T
INPUT	R542		nsp	00MNN05102610	CHIP RES.	1K OHM 1/10W J CRJ10DJ102T
INPUT	R543		nsp	00MNN05223610	CHIP RES.	22K OHM 1/10W J CRJ10DJ223T
INPUT	R544		nsp	00MNN05220610	CHIP RES.	22 OHM 1/10W J CRJ10DJ220T
INPUT	R545		nsp	00MNN05220610	CHIP RES.	22 OHM 1/10W J CRJ10DJ220T
INPUT	R547		nsp	00MNN05221610	CHIP RES.	220 OHM 1/10W J CRJ10DJ221T
INPUT	R548		nsp	00MNN05047610	CHIP RES.	4.7 OHM 1/10W J CRJ10DJ4R7T
INPUT	R549		nsp	00MNN05103610	CHIP RES.	10K OHM 1/10W J CRJ10DJ103T
INPUT	R550		nsp	00MNN05221610	CHIP RES.	220 OHM 1/10W J CRJ10DJ221T
INPUT	R551		nsp	00MNN05047610	CHIP RES.	4.7 OHM 1/10W J CRJ10DJ4R7T
INPUT	R552	U1B	nsp	00MNN05101610	CHIP RES.	100 OHM 1/10W J CRJ10DJ101T
INPUT	R553	N1B	nsp	00MNN05000610	CHIP RES.	0 OHM 1/10W J CRJ10DJ0R0T
INPUT	R553	/N1SG	nsp	00MNN05000610	CHIP RES.	0 OHM 1/10W J CRJ10DJ0R0T
INPUT	R553	/K1SG	nsp	00MNN05000610	CHIP RES.	0 OHM 1/10W J CRJ10DJ0R0T
INPUT	R553	/FB	nsp	00MNN05000610	CHIP RES.	0 OHM 1/10W J CRJ10DJ0R0T
INPUT	R555		nsp	00MNN05102610	CHIP RES.	1K OHM 1/10W J CRJ10DJ102T
INPUT	R556		nsp	00MNN05102610	CHIP RES.	1K OHM 1/10W J CRJ10DJ102T
INPUT	R557	U1B	nsp	00MNN05103610	CHIP RES.	10K OHM 1/10W J CRJ10DJ103T
INPUT	R558	U1B	nsp	00MNN05103610	CHIP RES.	10K OHM 1/10W J CRJ10DJ103T
INPUT	R559		nsp	00MNN05472610	CHIP RES.	4.7K OHM 1/10W J CRJ10DJ472T
INPUT	R560		nsp	00MNN05105610	CHIP RES.	1M OHM 1/10W J CRJ10DJ105T
INPUT	R561		nsp	00MNN05101610	CHIP RES.	100 OHM 1/10W J CRJ10DJ101T
INPUT	R562	U1B	nsp	00MNN05221610	CHIP RES.	220 OHM 1/10W J CRJ10DJ221T
INPUT	R563	U1B	nsp	00MNN05221610	CHIP RES.	220 OHM 1/10W J CRJ10DJ221T
INPUT	R564	U1B	nsp	00MNN05101610	CHIP RES.	100 OHM 1/10W J CRJ10DJ101T
INPUT	R565	U1B	nsp	00MNN05832610	CHIP RES.	82K OHM 1/10W J CRJ10DJ823T
INPUT	R566	N1B	nsp	00MNN05000610	CHIP RES.	0 OHM 1/10W J CRJ10DJ0R0T
INPUT	R566	/N1SG	nsp	00MNN05000610	CHIP RES.	0 OHM 1/10W J CRJ10DJ0R0T
INPUT	R566	/K1SG	nsp	00MNN05000610	CHIP RES.	0 OHM 1/10W J CRJ10DJ0R0T

P.W.B. NAME	POS. NO.	VERS. COLOR	PART NO. (FOR EUR)	PART NO. (MZ)	PART NAME	DESCRIPTION
INPUT	R566	/FB	nsp	00MNN05000610	CHIP RES.	0 OHM 1/10W J CRJ10DJ0R0T
INPUT	R567	U1B	nsp	00MNN05832610	CHIP RES.	82K OHM 1/10W J CRJ10DJ823T
INPUT	R568	U1B	nsp	00MNN05101610	CHIP RES.	100 OHM 1/10W J CRJ10DJ101T
INPUT	R569		nsp	00MNN05104610	CHIP RES.	100K OHM 1/10W J CRJ10DJ104T
INPUT	R570		nsp	00MNN05105610	CHIP RES.	1M OHM 1/10W J CRJ10DJ105T
INPUT	R571		nsp	00MNN05473610	CHIP RES.	47K OHM 1/10W J CRJ10DJ473T
INPUT	R572		nsp	00MNN05101610	CHIP RES.	100 OHM 1/10W J CRJ10DJ101T
INPUT	R573		nsp	00MNN05000610	CHIP RES.	0 OHM 1/10W J CRJ10DJ0R0T
INPUT	R575	U1B	nsp	00MNN05473610	CHIP RES.	47K OHM 1/10W J CRJ10DJ473T
INPUT	R576	U1B	nsp	00MNN05222610	CHIP RES.	2.2K OHM 1/10W J CRJ10DJ222T
INPUT	R577	U1B	nsp	00MNN05473610	CHIP RES.	47K OHM 1/10W J CRJ10DJ473T
INPUT	R578	U1B	nsp	00MNN05222610	CHIP RES.	2.2K OHM 1/10W J CRJ10DJ222T
INPUT	R579		nsp	00MNN05000610	CHIP RES.	0 OHM 1/10W J CRJ10DJ0R0T
INPUT	R580		nsp	00MNN05221610	CHIP RES.	220 OHM 1/10W J CRJ10DJ221T
INPUT	R581		nsp	00MNN05221610	CHIP RES.	220 OHM 1/10W J CRJ10DJ221T
INPUT	R582	U1B	nsp	00MNN05000610	CHIP RES.	0 OHM 1/10W J CRJ10DJ0R0T
INPUT	R583	U1B	nsp	00MNN05000610	CHIP RES.	0 OHM 1/10W J CRJ10DJ0R0T
INPUT	R584		nsp	00MNN05000610	CHIP RES.	0 OHM 1/10W J CRJ10DJ0R0T
INPUT	R585	U1B	nsp	00MNN05222610	CHIP RES.	2.2K OHM 1/10W J CRJ10DJ222T
INPUT	R586	U1B	nsp	00MNN05222610	CHIP RES.	2.2K OHM 1/10W J CRJ10DJ222T
INPUT	R587		nsp	00MNN05000610	CHIP RES.	0 OHM 1/10W J CRJ10DJ0R0T
INPUT	R588		nsp	00MNN05473610	CHIP RES.	47K OHM 1/10W J CRJ10DJ473T
INPUT	R589		nsp	00MNN05473610	CHIP RES.	47K OHM 1/10W J CRJ10DJ473T
INPUT	R590	U1B	nsp	00MNN05123610	CHIP RES.	12K OHM 1/10W J CRJ10DJ123T
INPUT	R591	U1B	nsp	00MNN05123610	CHIP RES.	12K OHM 1/10W J CRJ10DJ123T
INPUT	R592		nsp	00MNN05000610	CHIP RES.	0 OHM 1/10W J CRJ10DJ0R0T
INPUT	R595		nsp	00MNN05000610	CHIP RES.	0 OHM 1/10W J CRJ10DJ0R0T
INPUT	R596	U1B	nsp	00MNN05000610	CHIP RES.	0 OHM 1/10W J CRJ10DJ0R0T
INPUT	R597		nsp	00MNN05000610	CHIP RES.	0 OHM 1/10W J CRJ10DJ0R0T
INPUT	R599		nsp	00MNN05473610	CHIP RES.	47K OHM 1/10W J CRJ10DJ473T
INPUT	R600		nsp	00MNN05221610	CHIP RES.	220 OHM 1/10W J CRJ10DJ221T
INPUT	R601		nsp	00MNN05221610	CHIP RES.	220 OHM 1/10W J CRJ10DJ221T
INPUT	R602		nsp	00MNN05221610	CHIP RES.	220 OHM 1/10W J CRJ10DJ221T
INPUT	R603		nsp	00MNN05102610	CHIP RES.	1K OHM 1/10W J CRJ10DJ102T
INPUT	R604		nsp	00MNN05000610	CHIP RES.	0 OHM 1/10W J CRJ10DJ0R0T
INPUT	R605		nsp	00MNN05473610	CHIP RES.	47K OHM 1/10W J CRJ10DJ473T
INPUT	R606	U1B	nsp	00MNN05103610	CHIP RES.	10K OHM 1/10W J CRJ10DJ103T
INPUT	R607	U1B	nsp	00MNM13901020	CHIP RES.	3.9KOHM/1608/1% CRJ10DF3901T
INPUT	R608	U1B	nsp	00MNM11201020	CHIP RES.	1.2KOHM/1608/1% CRJ10DF1201T
INPUT	R609	U1B	nsp	00MNM1180G020	CHIP RES.	18OHM/1608/1% CRJ10DF18R0T
INPUT	R610		nsp	00MNN05000610	CHIP RES.	0 OHM 1/10W J CRJ10DJ0R0T
INPUT	R611		nsp	00MNN05000610	CHIP RES.	0 OHM 1/10W J CRJ10DJ0R0T
INPUT	R612		nsp	00MNN05000610	CHIP RES.	0 OHM 1/10W J CRJ10DJ0R0T
INPUT	R616		nsp	00MNN05101610	CHIP RES.	100 OHM 1/10W J CRJ10DJ101T
INPUT	R617		nsp	00MNN05104610	CHIP RES.	100K OHM 1/10W J CRJ10DJ104T
INPUT	R618		nsp	00MNN05104610	CHIP RES.	100K OHM 1/10W J CRJ10DJ104T
INPUT	R619		nsp	00MNN05832610	CHIP RES.	82K OHM 1/10W J CRJ10DJ823T
INPUT	R620		nsp	00MNN05832610	CHIP RES.	82K OHM 1/10W J CRJ10DJ823T
INPUT	R621		nsp	00MNN05101610	CHIP RES.	100 OHM 1/10W J CRJ10DJ101T
INPUT	R622		nsp	00MNN05473610	CHIP RES.	47K OHM 1/10W J CRJ10DJ473T
INPUT	R623		nsp	00MNN05473610	CHIP RES.	47K OHM 1/10W J CRJ10DJ473T
INPUT	R624		nsp	00MNN05472610	CHIP RES.	4.7K OHM 1/10W J CRJ10DJ472T
INPUT	R625		nsp	00MNN05562610	CHIP RES.	5.6K OHM 1/10W J CRJ10DJ562T
INPUT	R626		nsp	00MNN05562610	CHIP RES.	5.6K OHM 1/10W J CRJ10DJ562T
INPUT	R627		nsp	00MNN05472610	CHIP RES.	4.7K OHM 1/10W J CRJ10DJ472T

P.W.B. NAME	POS. NO.	VERS. COLOR	PART NO. (FOR EUR)	PART NO. (MZ)	PART NAME	DESCRIPTION
INPUT	R628		nsp	00MNN05473610	CHIP RES.	47K OHM 1/10W J CRJ10DJ473T
INPUT	R629		nsp	00MNN05473610	CHIP RES.	47K OHM 1/10W J CRJ10DJ473T
INPUT	R630		nsp	00MNN05473610	CHIP RES.	47K OHM 1/10W J CRJ10DJ473T
INPUT	R631		nsp	00MNN05473610	CHIP RES.	47K OHM 1/10W J CRJ10DJ473T
INPUT	R632		nsp	00MNN05473610	CHIP RES.	47K OHM 1/10W J CRJ10DJ473T
INPUT	R633		nsp	00MNN05473610	CHIP RES.	47K OHM 1/10W J CRJ10DJ473T
INPUT	R634		nsp	00MNN05473610	CHIP RES.	47K OHM 1/10W J CRJ10DJ473T
INPUT	R635		nsp	00MNN05473610	CHIP RES.	47K OHM 1/10W J CRJ10DJ473T
INPUT	R636		nsp	00MNN05472610	CHIP RES.	4.7K OHM 1/10W J CRJ10DJ472T
INPUT	R637		nsp	00MNN05562610	CHIP RES.	5.6K OHM 1/10W J CRJ10DJ562T
INPUT	R638		nsp	00MNN05562610	CHIP RES.	5.6K OHM 1/10W J CRJ10DJ562T
INPUT	R639		nsp	00MNN05472610	CHIP RES.	4.7K OHM 1/10W J CRJ10DJ472T
INPUT	R640		nsp	00MNN05472610	CHIP RES.	4.7K OHM 1/10W J CRJ10DJ472T
INPUT	R641		nsp	00MNN05333610	CHIP RES.	33K OHM 1/10W J CRJ10DJ333T
INPUT	R642		nsp	00MNN05562610	CHIP RES.	5.6K OHM 1/10W J CRJ10DJ562T
INPUT	R643		nsp	00MNN05472610	CHIP RES.	4.7K OHM 1/10W J CRJ10DJ472T
INPUT	R644		nsp	00MNN05472610	CHIP RES.	4.7K OHM 1/10W J CRJ10DJ472T
INPUT	R645		nsp	00MNN05562610	CHIP RES.	5.6K OHM 1/10W J CRJ10DJ562T
INPUT	R646		nsp	00MNN05562610	CHIP RES.	5.6K OHM 1/10W J CRJ10DJ562T
INPUT	R647		nsp	00MNN05472610	CHIP RES.	4.7K OHM 1/10W J CRJ10DJ472T
INPUT	R648		nsp	00MNN05122610	CHIP RES.	1.2K OHM 1/10W J CRJ10DJ122T
INPUT	R649		nsp	00MNN05822610	CHIP RES.	8.2K OHM 1/10W J CRJ10DJ822T
INPUT	R650		nsp	00MNN05822610	CHIP RES.	8.2K OHM 1/10W J CRJ10DJ822T
INPUT	R651		nsp	00MNN05122610	CHIP RES.	1.2K OHM 1/10W J CRJ10DJ122T
INPUT	R652		nsp	00MNN05000610	CHIP RES.	0 OHM 1/10W J CRJ10DJ0R0T
INPUT	R653		nsp	00MNN05101610	CHIP RES.	100 OHM 1/10W J CRJ10DJ101T
INPUT	R654		nsp	00MNN05000610	CHIP RES.	0 OHM 1/10W J CRJ10DJ0R0T
INPUT	R655		nsp	00MNN05102610	CHIP RES.	1K OHM 1/10W J CRJ10DJ102T
INPUT	R656		nsp	00MNN05221610	CHIP RES.	220 OHM 1/10W J CRJ10DJ221T
INPUT	R657		nsp	00MNN05473610	CHIP RES.	47K OHM 1/10W J CRJ10DJ473T
INPUT	R658		nsp	00MNN05221610	CHIP RES.	220 OHM 1/10W J CRJ10DJ221T
INPUT	R659		nsp	00MNN05473610	CHIP RES.	47K OHM 1/10W J CRJ10DJ473T
INPUT	R660		nsp	00MNN05000610	CHIP RES.	0 OHM 1/10W J CRJ10DJ0R0T
INPUT	R661		nsp	00MNN05000610	CHIP RES.	0 OHM 1/10W J CRJ10DJ0R0T
INPUT	R662		nsp	00MNN05221610	CHIP RES.	220 OHM 1/10W J CRJ10DJ221T
INPUT	R663		nsp	00MNN05221610	CHIP RES.	220 OHM 1/10W J CRJ10DJ221T
INPUT	R664		nsp	00MNN05000610	CHIP RES.	0 OHM 1/10W J CRJ10DJ0R0T
INPUT	R665		nsp	00MNN05221610	CHIP RES.	220 OHM 1/10W J CRJ10DJ221T
INPUT	R666		nsp	00MNN05473610	CHIP RES.	47K OHM 1/10W J CRJ10DJ473T
INPUT	R667		nsp	00MNN05221610	CHIP RES.	220 OHM 1/10W J CRJ10DJ221T
INPUT	R668		nsp	00MNN05473610	CHIP RES.	47K OHM 1/10W J CRJ10DJ473T
INPUT	R669		nsp	00MNN05221610	CHIP RES.	220 OHM 1/10W J CRJ10DJ221T
INPUT	R670		nsp	00MNN05473610	CHIP RES.	47K OHM 1/10W J CRJ10DJ473T
INPUT	R671		nsp	00MNN05221610	CHIP RES.	220 OHM 1/10W J CRJ10DJ221T
INPUT	R672		nsp	00MNN05473610	CHIP RES.	47K OHM 1/10W J CRJ10DJ473T
INPUT	R673		nsp	00MNN05221610	CHIP RES.	220 OHM 1/10W J CRJ10DJ221T
INPUT	R674		nsp	00MNN05473610	CHIP RES.	47K OHM 1/10W J CRJ10DJ473T
INPUT	R675		nsp	00MNN05221610	CHIP RES.	220 OHM 1/10W J CRJ10DJ221T
INPUT	R676		nsp	00MNN05473610	CHIP RES.	47K OHM 1/10W J CRJ10DJ473T
INPUT	R677		nsp	00MNN05221610	CHIP RES.	220 OHM 1/10W J CRJ10DJ221T
INPUT	R678		nsp	00MNN05473610	CHIP RES.	47K OHM 1/10W J CRJ10DJ473T
INPUT	R679		nsp	00MNN05221610	CHIP RES.	220 OHM 1/10W J CRJ10DJ221T
INPUT	R680		nsp	00MNN05473610	CHIP RES.	47K OHM 1/10W J CRJ10DJ473T
INPUT	R681		nsp	00MNN05000610	CHIP RES.	0 OHM 1/10W J CRJ10DJ0R0T
INPUT	R682		nsp	00MNN05103610	CHIP RES.	10K OHM 1/10W J CRJ10DJ103T

P.W.B. NAME	POS. NO.	VERS. COLOR	PART NO. (FOR EUR)	PART NO. (MZ)	PART NAME	DESCRIPTION
INPUT	R683		nsp	00MNN05472610	CHIP RES.	4.7K OHM 1/10W J CRJ10DJ472T
INPUT	R684		nsp	00MNN05105610	CHIP RES.	1M OHM 1/10W J CRJ10DJ105T
INPUT	R685		nsp	00MNN05472610	CHIP RES.	4.7K OHM 1/10W J CRJ10DJ472T
INPUT	R686		nsp	00MNN05330610	CHIP RES.	33 OHM 1/10W J CRJ10DJ330T
INPUT	R687		nsp	00MNN05472610	CHIP RES.	4.7K OHM 1/10W J CRJ10DJ472T
INPUT	R688		nsp	00MNN05472610	CHIP RES.	4.7K OHM 1/10W J CRJ10DJ472T
INPUT	R689		nsp	00MNN05330610	CHIP RES.	33 OHM 1/10W J CRJ10DJ330T
INPUT	R690		nsp	00MNN05221610	CHIP RES.	220 OHM 1/10W J CRJ10DJ221T
INPUT	R691		nsp	00MNN05221610	CHIP RES.	220 OHM 1/10W J CRJ10DJ221T
INPUT	R692		nsp	00MNN05221610	CHIP RES.	220 OHM 1/10W J CRJ10DJ221T
INPUT	R693		nsp	00MNN05221610	CHIP RES.	220 OHM 1/10W J CRJ10DJ221T
INPUT	R694		nsp	00MNN05221610	CHIP RES.	220 OHM 1/10W J CRJ10DJ221T
INPUT	R695		nsp	00MNN05221610	CHIP RES.	220 OHM 1/10W J CRJ10DJ221T
INPUT	R696		nsp	00MNN05221610	CHIP RES.	220 OHM 1/10W J CRJ10DJ221T
INPUT	R697		nsp	00MNN05221610	CHIP RES.	220 OHM 1/10W J CRJ10DJ221T
INPUT	R698		nsp	00MNN05101610	CHIP RES.	100 OHM 1/10W J CRJ10DJ101T
INPUT	R699		nsp	00MNN05101610	CHIP RES.	100 OHM 1/10W J CRJ10DJ101T
INPUT	R700		nsp	00MNN05472610	CHIP RES.	4.7K OHM 1/10W J CRJ10DJ472T
INPUT	R701		nsp	00MNN05105610	CHIP RES.	1M OHM 1/10W J CRJ10DJ105T
INPUT	R702		nsp	00MNN05472610	CHIP RES.	4.7K OHM 1/10W J CRJ10DJ472T
INPUT	R703		nsp	00MNN05330610	CHIP RES.	33 OHM 1/10W J CRJ10DJ330T
INPUT	R704		nsp	00MNN05472610	CHIP RES.	4.7K OHM 1/10W J CRJ10DJ472T
INPUT	R705		nsp	00MNN05472610	CHIP RES.	4.7K OHM 1/10W J CRJ10DJ472T
INPUT	R706		nsp	00MNN05330610	CHIP RES.	33 OHM 1/10W J CRJ10DJ330T
INPUT	R707		nsp	00MNN05472610	CHIP RES.	4.7K OHM 1/10W J CRJ10DJ472T
INPUT	R708		nsp	00MNN05105610	CHIP RES.	1M OHM 1/10W J CRJ10DJ105T
INPUT	R709		nsp	00MNN05472610	CHIP RES.	4.7K OHM 1/10W J CRJ10DJ472T
INPUT	R710		nsp	00MNN05330610	CHIP RES.	33 OHM 1/10W J CRJ10DJ330T
INPUT	R711		nsp	00MNN05472610	CHIP RES.	4.7K OHM 1/10W J CRJ10DJ472T
INPUT	R712		nsp	00MNN05105610	CHIP RES.	1M OHM 1/10W J CRJ10DJ105T
INPUT	R713		nsp	00MNN05472610	CHIP RES.	4.7K OHM 1/10W J CRJ10DJ472T
INPUT	R714		nsp	00MNN05330610	CHIP RES.	33 OHM 1/10W J CRJ10DJ330T
INPUT	R715		nsp	00MNN05472610	CHIP RES.	4.7K OHM 1/10W J CRJ10DJ472T
INPUT	R716		nsp	00MNN05105610	CHIP RES.	1M OHM 1/10W J CRJ10DJ105T
INPUT	R717		nsp	00MNN05472610	CHIP RES.	4.7K OHM 1/10W J CRJ10DJ472T
INPUT	R718		nsp	00MNN05330610	CHIP RES.	33 OHM 1/10W J CRJ10DJ330T
INPUT	R719		nsp	00MNN05472610	CHIP RES.	4.7K OHM 1/10W J CRJ10DJ472T
INPUT	R720		nsp	00MNN05472610	CHIP RES.	4.7K OHM 1/10W J CRJ10DJ472T
INPUT	R721		nsp	00MNN05330610	CHIP RES.	33 OHM 1/10W J CRJ10DJ330T
INPUT	R722		nsp	00MNN05472610	CHIP RES.	4.7K OHM 1/10W J CRJ10DJ472T
INPUT	R723		nsp	00MNN05105610	CHIP RES.	1M OHM 1/10W J CRJ10DJ105T
INPUT	R724		nsp	00MNN05472610	CHIP RES.	4.7K OHM 1/10W J CRJ10DJ472T
INPUT	R725		nsp	00MNN05330610	CHIP RES.	33 OHM 1/10W J CRJ10DJ330T
INPUT	R726		nsp	00MNN05472610	CHIP RES.	4.7K OHM 1/10W J CRJ10DJ472T
INPUT	R727		nsp	00MNN05472610	CHIP RES.	4.7K OHM 1/10W J CRJ10DJ472T
INPUT	R728		nsp	00MNN05330610	CHIP RES.	33 OHM 1/10W J CRJ10DJ330T
INPUT	R729		nsp	00MNN05103610	CHIP RES.	10K OHM 1/10W J CRJ10DJ103T
INPUT	R730		nsp	00MNN05102610	CHIP RES.	1K OHM 1/10W J CRJ10DJ102T
INPUT	R731		nsp	00MNN05124610	CHIP RES.	120K OHM 1/10W J CRJ10DJ124T
INPUT	R732		nsp	00MNN05102610	CHIP RES.	1K OHM 1/10W J CRJ10DJ102T
INPUT	R733		nsp	00MNN05124610	CHIP RES.	120K OHM 1/10W J CRJ10DJ124T
INPUT	R734		nsp	00MNN05832610	CHIP RES.	82K OHM 1/10W J CRJ10DJ823T
INPUT	R735		nsp	00MNN05101610	CHIP RES.	100 OHM 1/10W J CRJ10DJ101T
INPUT	R736		nsp	00MNN05101610	CHIP RES.	100 OHM 1/10W J CRJ10DJ101T
INPUT	R737		nsp	00MNN05832610	CHIP RES.	82K OHM 1/10W J CRJ10DJ823T

P.W.B. NAME	POS. NO.	VERS. COLOR	PART NO. (FOR EUR)	PART NO. (MZ)	PART NAME	DESCRIPTION	
INPUT	R793		nsp	00MNN05104610	CHIP RES.	100K OHM 1/10W J	CRJ10DJ104T
INPUT	R794		nsp	00MNN05104610	CHIP RES.	100K OHM 1/10W J	CRJ10DJ104T
INPUT	R795		nsp	00MNN05104610	CHIP RES.	100K OHM 1/10W J	CRJ10DJ104T
INPUT	R796		nsp	00MNN05104610	CHIP RES.	100K OHM 1/10W J	CRJ10DJ104T
INPUT	R797		nsp	00MNN05104610	CHIP RES.	100K OHM 1/10W J	CRJ10DJ104T
INPUT	R798		nsp	00MNN05104610	CHIP RES.	100K OHM 1/10W J	CRJ10DJ104T
INPUT	R799		nsp	00MNN05104610	CHIP RES.	100K OHM 1/10W J	CRJ10DJ104T
INPUT	R800		nsp	00MNN05104610	CHIP RES.	100K OHM 1/10W J	CRJ10DJ104T
INPUT	R801		nsp	00MNN05104610	CHIP RES.	100K OHM 1/10W J	CRJ10DJ104T
INPUT	R802	U1B	nsp	00MNN05223610	CHIP RES.	22K OHM 1/10W J	CRJ10DJ223T
INPUT	R803	U1B	nsp	00MNN05472610	CHIP RES.	4.7K OHM 1/10W J	CRJ10DJ472T
INPUT	R805	U1B	nsp	00MNN05474610	CHIP RES.	470K OHM 1/10W J	CRJ10DJ474T
INPUT	R806		nsp	00MNN05104610	CHIP RES.	100K OHM 1/10W J	CRJ10DJ104T
INPUT	R807		nsp	00MNN05104610	CHIP RES.	100K OHM 1/10W J	CRJ10DJ104T
RELAY	RY40		943681008220S	943681008220S	RELAY	2C2P 12V RATINGS 5A	CSL4A017ZE
INPUT	SW50		90M-SS000710R	90M-SS000710R	SW	SLIDE SWITCH	KSS2B016Z
INPUT	X500	U1B	nsp	943141003890S	X'TAL	45.1584MHZ SMD-49	COX45184E120SD
REG PWB ASS'Y (COP12209)							
REG	BN20		nsp	nsp	CORD	9P WIRE ASSY 200MM	CWB1D00920058
REG	BN22		nsp	nsp	CORD	15P WIRE ASSY 300MM	CWB1D01530058
DL	BN23		nsp	nsp	CORD	7P WIRE ASSY 200MM	CWB1B00720047
REG2	BN29		nsp	nsp	CONN.	8P PIN HEADER 2.54MM ANGLE	CJP08GB142ZB
REG	C200		nsp	nsp	FILM CAP.	0.047UF 100V J MYLAR	HCQ1H473JZT
REG	C201		90M-OF100370R	90M-OF100370R	FILM CAP.	0.022UF 100V J MYLAR	HCQ1H223JZT
REG	C202		90M-OF100370R	90M-OF100370R	FILM CAP.	0.022UF 100V J MYLAR	HCQ1H223JZT
REG	C203		nsp	nsp	FILM CAP.	0.12UF 100V J MYLAR	HCQ1H124JZT
REG	C204		nsp	nsp	FILM CAP.	0.12UF 100V J MYLAR	HCQ1H124JZT
REG	C205		nsp	nsp	FILM CAP.	0.12UF 100V J MYLAR	HCQ1H124JZT
REG	C206		nsp	nsp	FILM CAP.	0.047UF 100V J MYLAR	HCQ1H473JZT
REG	C207		90M-OF100370R	90M-OF100370R	FILM CAP.	0.022UF 100V J MYLAR	HCQ1H223JZT
REG	C208		90M-OF100370R	90M-OF100370R	FILM CAP.	0.022UF 100V J MYLAR	HCQ1H223JZT
REG	C209		nsp	nsp	CER. CAP.	1000PF 50V B CERAMIC	CCBS1H102KBT
REG	C210		00MOA47701620	00MOA47701620	ELECT CAP.	470UF 16V	CCEA1CH471T
REG	C211		nsp	nsp	CER. CAP.	0.1UF 50V ZF	CCFT1H104ZF
REG	C212	U1B	nsp	00MOA10605020	ELECT CAP.	10UF 50V	CCEA1HH100T
REG	C213	U1B	nsp	nsp	CER. CAP.	0.1UF 50V ZF	CCFT1H104ZF
REG	C214	U1B	nsp	00MOA47701620	ELECT CAP.	470UF 16V ZF	CCEA1CH471T
REG	C215		nsp	nsp	CER. CAP.	0.1UF 50V ZF	CCFT1H104ZF
REG	C216		00MOA10605020	00MOA10605020	ELECT CAP.	10UF 50V	CCEA1HH100T
REG	C217		nsp	nsp	CER. CAP.	0.1UF 50V ZF	CCFT1H104ZF
REG	C218		00MOA47701620	00MOA47701620	ELECT CAP.	470UF 16V ZF	CCEA1CH471T
REG	C219		nsp	nsp	CER. CAP.	0.1UF 50V Z	CCFT1H104ZF
REG	C220		00MOA10605020	00MOA10605020	ELECT CAP.	10UF 50V	CCEA1HH100T
REG	C221		nsp	nsp	CER. CAP.	0.1UF 50V ZF	CCFT1H104ZF
REG	C222		00MOA10605020	00MOA10605020	ELECT CAP.	10UF 50V	CCEA1HH100T
REG	C223		nsp	nsp	CER. CAP.	0.1UF 50V Z	CCFT1H104ZF
REG2	C224		00MOA33802520	00MOA33802520	ELECT CAP.	3300UF 25V	CCEA1EH332E
REG2	C225		00MOA47802520	00MOA47802520	ELECT CAP.	4700UF 25V	CCEA1EH472E
REG2	C226		nsp	nsp	CER. CAP.	0.1UF 50V ZF	CCFT1H104ZF
REG	C227		00MOA47701620	00MOA47701620	ELECT CAP.	470UF 16V ZF	CCEA1CH471T
REG	C228	U1B	nsp	nsp	CER. CAP.	0.1UF 50V ZF	CCFT1H104ZF
REG2	C229		nsp	nsp	CER. CAP.	0.1UF 50V ZF	CCFT1H104ZF
REG2	C230		00MOA10702520	00MOA10702520	ELECT CAP.	100UF 25V	CCEA1EH101T
REG2	C231		nsp	nsp	CER. CAP.	0.1UF 50V ZF	CCFT1H104ZF
REG	C232		nsp	nsp	FILM CAP.	0.01UF 100V J MYLAR	HCQ1H103JZT

P.W.B. NAME	POS. NO.	VERS. COLOR	PART NO. (FOR EUR)	PART NO. (MZ)	PART NAME	DESCRIPTION
REG	C233		943134003850S	943134003850S	ELECT CAP.	2000UF 16V KL5 CCET16VKL5203N
REG	C234		943134003850S	943134003850S	ELECT CAP.	2000UF 16V KL5 CCET16VKL5203N
REG	C235		nsp	nsp	FILM CAP.	0.01UF 100V J MYLAR HCQ1H103JZT
REG2	C236		nsp	nsp	FILM CAP.	0.01UF 100V J MYLAR HCQ1H103JZT
REG2	C237		nsp	nsp	FILM CAP.	0.01UF 100V J MYLAR HCQ1H103JZT
REG2	C238		00MOA10702520	00MOA10702520	ELECT CAP.	100UF 25V CCEA1EH101T
REG2	C239		nsp	nsp	CER. CAP.	0.1UF 50V ZF CCFT1H104ZF
REG	C240		nsp	nsp	CER. CAP.	0.1UF 50V ZF CCFT1H104ZF
REG2	C241		nsp	nsp	FILM CAP.	0.01UF 100V J MYLAR HCQ1H103JZT
REG2	C242		nsp	nsp	FILM CAP.	0.01UF 100V J MYLAR HCQ1H103JZT
REG2	C243		00MOA47701620	00MOA47701620	ELECT CAP.	470UF 16V ZF CCEA1CH471T
REG2	C244		nsp	nsp	CER. CAP.	0.1UF 50V ZF CCFT1H104ZF
REG2	C245		00MOA10605020	00MOA10605020	ELECT CAP.	10UF 50V CCEA1HH100T
REG2	C246		nsp	nsp	CER. CAP.	0.1UF 50V ZF CCFT1H104ZF
DL	C247		nsp	nsp	CER. CAP.	0.1UF 50V Z CERAMIC CCBS1H104ZFT
DL	C248		nsp	nsp	CER. CAP.	0.1UF 50V Z CERAMIC CCBS1H104ZFT
DL	C249		nsp	nsp	CER. CAP.	0.1UF 50V Z CERAMIC CCBS1H104ZFT
DL	C250		nsp	nsp	CER. CAP.	0.1UF 50V Z CERAMIC CCBS1H104ZFT
DL	C251		nsp	nsp	CER. CAP.	0.1UF 50V Z CERAMIC CCBS1H104ZFT
DL	C252		nsp	nsp	CER. CAP.	0.1UF 50V Z CERAMIC CCBS1H104ZFT
DL	C253		00MOA10605020	00MOA10605020	ELECT CAP.	10UF 50V CCEA1HH100T
REG	CN20		nsp	nsp	CONN.	3P WAFER CJP03GA90ZY
REG	CN21		nsp	nsp	CONN.	5P A3963WV2-5P (3.96MM) CJP05GA148ZW
REG	CN23		nsp	nsp	CORD	5P WIRE ASSY 50MM CWB1B00505047
REG2	CN24		nsp	nsp	CONN.	5P WAFER YMW025-05R 00906-0014 CJP05GA01ZY
REG	CN25		nsp	nsp	CONN.	2P 7.92MM(YUNHO) CJP02KA060ZY
REG	CN29		nsp	nsp	CONN.	8P FEMALE HEADER 2.54MM CJP08GA221ZB
REG	D200		90M-HD201750R	90M-HD201750R	DIODE	1N4003 CVD1N4003SRT
REG	△D201		90M-HE200350R	90M-HE200350R	DIODE	GBJ1506 HVDGBJ1506
REG2	D202		90M-HD201750R	90M-HD201750R	DIODE	1N4003 CVD1N4003SRT
REG2	D203		90M-HD201750R	90M-HD201750R	DIODE	1N4003 CVD1N4003SRT
REG2	D204		90M-HD201750R	90M-HD201750R	DIODE	1N4003 CVD1N4003SRT
REG2	D205		90M-HD201750R	90M-HD201750R	DIODE	1N4003 CVD1N4003SRT
REG2	D206		90M-HD201750R	90M-HD201750R	DIODE	1N4003 CVD1N4003SRT
REG2	D207		90M-HD201750R	90M-HD201750R	DIODE	1N4003 CVD1N4003SRT
REG	△D208		90M-HE200390R	90M-HE200390R	DIODE	GBJ1006 HVDGBJ1006
REG	△F200		90M-FS001450R	90M-FS001450R	FUSE	! T 5A 250V LITTLE FUSE 382 KBA2D5000A2EYT
REG	F201		nsp	nsp	CORD	SN95/PB5 0.6 C3A206
REG	IC20	U1B	nsp	90M-HC301010R	IC	KIA278R00PI CVIKIA278R00PI
REG	IC21		90M-HC300990R	90M-HC300990R	IC	KIA578R05PI TO-220IS CVIKIA578R05PI
REG	IC22		90M-HC300990R	90M-HC300990R	IC	KIA578R05PI TO-220IS CVIKIA578R05PI
REG	IC23		90M-HC300690R	90M-HC300690R	IC	KIA278R05PI HVIKIA278R05PI
REG2	IC24		90M-HC300650R	90M-HC300650R	IC	L7812CP HVIL7812CP
REG2	IC25		90M-HC300660R	90M-HC300660R	IC	L7912CP HVIL7912CP
REG2	IC26		90M-HC300790R	90M-HC300790R	IC	KIA78R05PI HVIKIA78R05PI
DL	IC27		90M-HC108440R	90M-HC108440R	IC	ST202EBW RS-232C HVIIST202EBW
DL	JK20		90M-YT005040R	90M-YT005040R	TERMINAL	9P D-SUB MALE (RS-232C) SEMCO CJJ9V001Z
DL	L250		nsp	nsp	COIL	47UH HLQ02C470KT
REG	Q200		00MHT600111B0	00MHT600111B0	TRS.	KTA1267Y HVTKTA1267YT
REG	Q201		90M-BA001460R	90M-BA001460R	TRS.	KRC107M HVTKRC107MT
DL	Q202		00MBA10001000	00MBA10001000	TRS.	KRA102M HVTKRA102MT
REG	R200		nsp	nsp	RES.	4.7 OHM 1/6W J CARBON CRD20TJ4R7T
REG	R201		nsp	nsp	RES.	4.7 OHM 1/6W J CARBON CRD20TJ4R7T
REG	R202		nsp	nsp	RES.	4.7K OHM 1/6W J CARBON CRD20TJ472T
REG	R204		nsp	nsp	RES.	10K OHM 1/6W J CARBON CRD20TJ103T

P.W.B. NAME	POS. NO.	VERS. COLOR	PART NO. (FOR EUR)	PART NO. (MZ)	PART NAME	DESCRIPTION
REG	R205	U1B	nsp	nsp	RES.	1.8K OHM 1/6W J CARBON CRD20TJ182T
REG	R206	U1B	nsp	nsp	RES.	470 OHM 1/6W J CARBON CRD20TJ471T
REG	R207		nsp	nsp	RES.	100K OHM 1/6W J CARBON CRD20TJ104T
REG	R208		nsp	nsp	RES.	100K OHM 1/6W J CARBON CRD20TJ104T
REG2	R209		nsp	nsp	RES.	1K OHM 1/4W J CARBON CRD25TJ102T
REG2	R210		nsp	nsp	RES.	1K OHM 1/4W J CARBON CRD25TJ102T
REG2	R211		nsp	nsp	RES.	10 OHM 1/6W J CARBON CRD20TJ100T
REG2	R213		nsp	nsp	RES.	15K OHM 1/6W J CARBON CRD20TJ153T
REG	R214		nsp	nsp	RES.	100K OHM 1/5W J CARBON CRD20TJ104T
REG2	R216		nsp	nsp	RES.	15K OHM 1/6W J CARBON CRD20TJ153T
REG2	△R217		90M-NH000080R	90M-NH000080R	FUSE	0.47 1w CRQ1AJR47H
REG2	△R218		90M-NH000080R	90M-NH000080R	FUSE	0.47 1w CRQ1AJR47H
REG2	R219		nsp	nsp	RES.	100K OHM 1/4W J CARBON CRD25TJ104T
DL	R221		nsp	nsp	RES.	1K OHM 1/6W J CARBON CRD20TJ102T
DL	R222		nsp	nsp	RES.	1K OHM 1/6W J CARBON CRD20TJ102T
DL	R223		nsp	nsp	RES.	10K OHM 1/6W J CARBON CRD20TJ103T
REG	△RL20		90M-LY000440R	90M-LY000440R	RELAY	! GB-2C-D24P CSL4B019ZU
DL	SW20		90M-SP001290R	90M-SP001290R	SW	SPUJ19XSM011 HSH2B018Z
VIDEO PWB ASS'Y (COP12210)						
H/P	BK31		nsp	nsp	PLATE	EARTH PLETE SR6003 CMC1A354
H/P	BK32		nsp	nsp	PLATE	EARTH PLETE SR6003 CMC1A354
USBJACK	BN32		nsp	nsp	CORD	7P WIRE ASSY CWB1D00745047001
VIDEO	C101		00MOA10605020	00MOA10605020	ELECT CAP.	10UF 50V CCEA1HH100T
VIDEO	C102		00MOA10605020	00MOA10605020	ELECT CAP.	10UF 50V CCEA1HH100T
VIDEO	C103		00MOA10605020	00MOA10605020	ELECT CAP.	10UF 50V CCEA1HH100T
VIDEO	C104		00MOA10701620	00MOA10701620	ELECT CAP.	100UF 16V CCEA1CH101T
VIDEO	C105		nsp	00MDK96103300	CER. CAP.	0.01UF 50V KC CCUS1H103KC
VIDEO	C106		nsp	00MDD95470300	CER. CAP.	47PF 50V JA CCUS1H470JA
VIDEO	C107		nsp	00MDD95470300	CER. CAP.	47PF 50V JA CCUS1H470JA
VIDEO	C108		00MOA10701620	00MOA10701620	ELECT CAP.	100UF 16V CCEA1CH101T
VIDEO	C109		nsp	00MDK96103300	CER. CAP.	0.01UF 50V KC CCUS1H103KC
VIDEO	C110		00MOA47701020	00MOA47701020	ELECT CAP.	470UF 10V CCEA1AH471T
VIDEO	C111		00MOA10605020	00MOA10605020	ELECT CAP.	10UF 50V CCEA1HH100T
VIDEO	C113		nsp	00MDD95470300	CER. CAP.	47PF 50V JA CCUS1H470JA
VIDEO	C114		943139008440S	943139008440S	CER. CAP.	68PF 50V J CCUS1H680JA
VIDEO	C117		00MOA10605020	00MOA10605020	ELECT CAP.	10UF 50V CCEA1HH100T
VIDEO	C118		00MOA10605020	00MOA10605020	ELECT CAP.	10UF 50V CCEA1HH100T
VIDEO	C120		nsp	00MDK96103300	CER. CAP.	0.01UF 50V KC CCUS1H103KC
VIDEO	C121		nsp	00MDK96103300	CER. CAP.	0.01UF 50V KC CCUS1H103KC
VIDEO	C122		00MOA10701620	00MOA10701620	ELECT CAP.	100UF 16V CCEA1CH101T
VIDEO	C123		00MOA47505020	00MOA47505020	ELECT CAP.	4.7UF 50V CCEA1HH47R7T
VIDEO	C124		00MOA10605020	00MOA10605020	ELECT CAP.	10UF 50V CCEA1HH100T
VIDEO	C125		nsp	00MDK96122300	CER. CAP.	1200PF 50V KC CCUS1H122KC
VIDEO	C126		nsp	00MDK96103300	CER. CAP.	0.01UF 50V KC CCUS1H103KC
VIDEO	C127		00MOA10505020	00MOA10505020	ELECT CAP.	1UF 50V CCEA1HH1R0T
VIDEO	C128		00MOA10505020	00MOA10505020	ELECT CAP.	1UF 50V CCEA1HH1R0T
VIDEO	C129		nsp	00MDK96103300	CER. CAP.	0.01UF 50V KC CCUS1H103KC
VIDEO	C130		nsp	00MDK96103300	CER. CAP.	0.01UF 50V KC CCUS1H103KC
VIDEO	C131		00MOA10701620	00MOA10701620	ELECT CAP.	100UF 16V CCEA1CH101T
VIDEO	C132		nsp	00MDD95220300	CER. CAP.	22PF 50V JA CCUS1H220JA
VIDEO	C133		nsp	00MDD95220300	CER. CAP.	22PF 50V JA CCUS1H220JA
VIDEO	C134		nsp	00MDD91100300	CER. CAP.	10PF 50V JA CCUS1H100JA
VIDEO	C135		943139008450S	943139008450S	CER. CAP.	30PF CCUS1H300JA
VIDEO	C136	N1B	nsp	00MDD95270300	CER. CAP.	27PF 50V JA CCUS1H270JA
VIDEO	C136	/N1SG	nsp	00MDD95270300	CER. CAP.	27PF 50V JA CCUS1H270JA

P.W.B. NAME	POS. NO.	VERS. COLOR	PART NO. (FOR EUR)	PART NO. (MZ)	PART NAME	DESCRIPTION	
VIDEO	C136	/K1SG	nsp	00MDD95270300	CER. CAP.	27PF 50V JA	CCUS1H270JA
VIDEO	C136	U1B	nsp	943139008450S	CER. CAP.	30PF	CCUS1H300JA
VIDEO	C136	/FB	nsp	943139008450S	CER. CAP.	30PF	CCUS1H300JA
VIDEO	C137		nsp	00MDK96103300	CER. CAP.	0.01UF 50V KC	CCUS1H103KC
VIDEO	C138		nsp	00MDD95470300	CER. CAP.	47PF 50V JA	CCUS1H470JA
VIDEO	C140		00MOA10605020	00MOA10605020	ELECT CAP.	10UF 50V	CCEA1HH100T
VIDEO	C141		00MOA10605020	00MOA10605020	ELECT CAP.	10UF 50V	CCEA1HH100T
VIDEO	C142		nsp	00MDK96103300	CER. CAP.	0.01UF 50V KC	CCUS1H103KC
VIDEO	C143		nsp	00MDK96103300	CER. CAP.	0.01UF 50V KC	CCUS1H103KC
VIDEO	C145		00MOA47701020	00MOA47701020	ELECT CAP.	470UF 10V	CCEA1AH471T
VIDEO	C146		nsp	00MDK96102300	CER. CAP.	1000PF 50V KC	CCUS1H102KC
VIDEO	C147		nsp	00MDK96103300	CER. CAP.	0.01UF 50V KC	CCUS1H103KC
VIDEO	C150		nsp	00MDK96103300	CER. CAP.	0.01UF 50V KC	CCUS1H103KC
VIDEO	C152		nsp	00MDK96103300	CER. CAP.	0.01UF 50V KC	CCUS1H103KC
VIDEO	C153		00MOA10605020	00MOA10605020	ELECT CAP.	10UF 50V	CCEA1HH100T
VIDEO	C154		00MOA10605020	00MOA10605020	ELECT CAP.	10UF 50V	CCEA1HH100T
VIDEO	C155		00MOA10505020	00MOA10505020	ELECT CAP.	1UF 50V	CCEA1HH1R0T
VIDEO	C156		00MOA10505020	00MOA10505020	ELECT CAP.	1UF 50V	CCEA1HH1R0T
VIDEO	C157		00MOA10505020	00MOA10505020	ELECT CAP.	1UF 50V	CCEA1HH1R0T
VIDEO	C158		00MOA10505020	00MOA10505020	ELECT CAP.	1UF 50V	CCEA1HH1R0T
VIDEO	C159		00MOA10505020	00MOA10505020	ELECT CAP.	1UF 50V	CCEA1HH1R0T
VIDEO	C160		00MOA10505020	00MOA10505020	ELECT CAP.	1UF 50V	CCEA1HH1R0T
VIDEO	C161		00MOA10505020	00MOA10505020	ELECT CAP.	1UF 50V	CCEA1HH1R0T
VIDEO	C163		nsp	00MDD95330300	CER. CAP.	33PF 50V JA	CCUS1H330JA
VIDEO	C164		00MOA10505020	00MOA10505020	ELECT CAP.	1UF 50V	CCEA1HH1R0T
VIDEO	C166		nsp	00MDD95270300	CER. CAP.	27PF 50V JA	CCUS1H270JA
VIDEO	C167		00MOA10505020	00MOA10505020	ELECT CAP.	1UF 50V	CCEA1HH1R0T
VIDEO	C169		nsp	00MDD95270300	CER. CAP.	27PF 50V JA	CCUS1H270JA
VIDEO	C170		nsp	00MDK96104300	CER. CAP.	0.1UF 50V K	CCUS1H104KC
VIDEO	C171		nsp	00MDK96104300	CER. CAP.	0.1UF 50V K	CCUS1H104KC
VIDEO	C173		00MOA10701620	00MOA10701620	ELECT CAP.	100UF 16V	CCEA1CH101T
VIDEO	C174		nsp	00MDK96104300	CER. CAP.	0.1UF 50V K	CCUS1H104KC
VIDEO	C175		00MOA10505020	00MOA10505020	ELECT CAP.	1UF 50V	CCEA1HH1R0T
VIDEO	C176		nsp	00MDK96104300	CER. CAP.	0.1UF 50V K	CCUS1H104KC
VIDEO	C177		nsp	00MDK96104300	CER. CAP.	0.1UF 50V K	CCUS1H104KC
VIDEO	C178		00MOA22701620	00MOA22701620	ELECT CAP.	220UF 16V	CCEA1CH221T
VIDEO	C179		nsp	00MDK96104300	CER. CAP.	0.1UF 50V K	CCUS1H104KC
VIDEO	C180		00MOA22701620	00MOA22701620	ELECT CAP.	220UF 16V	CCEA1CH221T
VIDEO	C181		nsp	00MDK96104300	CER. CAP.	0.1UF 50V K	CCUS1H104KC
VIDEO	C182		00MOA22701620	00MOA22701620	ELECT CAP.	220UF 16V	CCEA1CH221T
VIDEO	C183		nsp	00MDK96104300	CER. CAP.	0.1UF 50V K	CCUS1H104KC
VIDEO	C184		00MOA10605020	00MOA10605020	ELECT CAP.	10UF 50V	CCEA1HH100T
VIDEO	C185		nsp	00MDK96104300	CER. CAP.	0.1UF 50V K	CCUS1H104KC
VIDEO	C186		00MOA10605020	00MOA10605020	ELECT CAP.	10UF 50V	CCEA1HH100T
VIDEO	C187		nsp	00MDK96104300	CER. CAP.	0.1UF 50V K	CCUS1H104KC
VIDEO	C188		00MOA10605020	00MOA10605020	ELECT CAP.	10UF 50V	CCEA1HH100T
VIDEO	C190		nsp	00MDK96104300	CER. CAP.	0.1UF 50V K	CCUS1H104KC
VIDEO	C191		nsp	00MDK96104300	CER. CAP.	0.1UF 50V K	CCUS1H104KC
VIDEO	C192		nsp	00MDK96104300	CER. CAP.	0.1UF 50V K	CCUS1H104KC
VIDEO	C194		nsp	00MDK96103300	CER. CAP.	0.01UF 50V KC	CCUS1H103KC
VIDEO	C195		nsp	00MDK96103300	CER. CAP.	0.01UF 50V KC	CCUS1H103KC
VIDEO	C197		00MOA47701020	00MOA47701020	ELECT CAP.	470UF 10V	CCEA1AH471T
VIDEO	C198		nsp	00MDK96104300	CER. CAP.	0.1UF 50V K	CCUS1H104KC
VIDEO	C199		00MOA10701620	00MOA10701620	ELECT CAP.	100UF 16V	CCEA1CH101T
VIDEO	C200		nsp	00MDK96103300	CER. CAP.	0.01UF 50V KC	CCUS1H103KC

P.W.B. NAME	POS. NO.	VERS. COLOR	PART NO. (FOR EUR)	PART NO. (MZ)	PART NAME	DESCRIPTION
VIDEO	C201		nsp	00MDK96104300	CER. CAP.	0.1UF 50V K CCUS1H104KC
VIDEO	C202		nsp	00MDK96103300	CER. CAP.	0.01UF 50V KC CCUS1H103KC
VIDEO	C203		00MOA10701620	00MOA10701620	ELECT CAP.	100UF 16V CCEA1CH101T
VIDEO	C204		nsp	00MDK96103300	CER. CAP.	0.01UF 50V KC CCUS1H103KC
VIDEO	C205		00MOA47701020	00MOA47701020	ELECT CAP.	470UF 10V CCEA1AH471T
VIDEO	C211		nsp	00MDK96104300	CER. CAP.	0.1UF 50V K CCUS1H104KC
VIDEO	C212		00MOA10701620	00MOA10701620	ELECT CAP.	100UF 16V CCEA1CH101T
VIDEO	C213		nsp	00MDK96104300	CER. CAP.	0.1UF 50V K CCUS1H104KC
VIDEO	C214		00MOA10701620	00MOA10701620	ELECT CAP.	100UF 16V CCEA1CH101T
VIDEO	C215		nsp	00MDK96104300	CER. CAP.	0.1UF 50V K CCUS1H104KC
VIDEO	C216		00MOA10701620	00MOA10701620	ELECT CAP.	100UF 16V CCEA1CH101T
VIDEO	C217		nsp	00MDK96104300	CER. CAP.	0.1UF 50V K CCUS1H104KC
VIDEO	C218		00MOA10701620	00MOA10701620	ELECT CAP.	100UF 16V CCEA1CH101T
VIDEO	C219		00MOA10701620	00MOA10701620	ELECT CAP.	100UF 16V CCEA1CH101T
VIDEO	C220		nsp	00MDK96104300	CER. CAP.	0.1UF 50V K CCUS1H104KC
VIDEO	C221		nsp	00MDK96104300	CER. CAP.	0.1UF 50V K CCUS1H104KC
VIDEO	C222		nsp	00MDK96104300	CER. CAP.	0.1UF 50V K CCUS1H104KC
VIDEO	C223		nsp	00MDK96104300	CER. CAP.	0.1UF 50V K CCUS1H104KC
H/P	C301		nsp	00MDK96104300	CER. CAP.	0.1UF 50V K CCUS1H104KC
H/P	C302		nsp	00MDD95101300	CER. CAP.	100PF 50V JA CCUS1H101JA
H/P	C303		nsp	00MDD95101300	CER. CAP.	100PF 50V JA CCUS1H101JA
H/P	C304		nsp	00MDK96104300	CER. CAP.	0.1UF 50V K CCUS1H104KC
USBJACK	C305		nsp	00MDK96104300	CER. CAP.	0.1UF 50V K CCUS1H104KC
USBJACK	C306		nsp	00MDD95101300	CER. CAP.	100PF 50V J CCUS1H101JA
USBJACK	C307		nsp	00MDK96104300	CER. CAP.	0.1UF 50V K CCUS1H104KC
USBJACK	C308		nsp	00MDK96104300	CER. CAP.	0.1UF 50V K CCUS1H104KC
VIDEO	C309		00MOA22701020	00MOA22701020	ELECT CAP.	220UF 10V CCEA1AH221T
USBJACK	C310		nsp	00MDK96104300	CER. CAP.	0.1UF 50V K CCUS1H104KC
USBJACK	C311		nsp	00MDD95220300	CER. CAP.	22PF 50V J CCUS1H220JA
USBJACK	C312		nsp	00MDD95220300	CER. CAP.	22PF 50V J CCUS1H220JA
USBJACK	C313		nsp	00MDK96104300	CER. CAP.	0.1UF 50V K CCUS1H104KC
H/P	C314		nsp	00MDK96104300	CER. CAP.	0.1UF 50V K CCUS1H104KC
VIDEO	CN11		nsp	nsp	CONN.	5P WAFER CJP05GJ247ZW
VIDEO	CN12		nsp	nsp	CONN.	16P PIN HEADER 2.54MM ANGLE) CJP16GB142ZB
VIDEO	CN13		nsp	nsp	CONN.	16P PIN HEADER 2.54MM ANGLE) CJP16GB142ZB
H/P	CN31		90M-YJ003110R	90M-YJ003110R	CONN.	7P B TO B HOUSING CJP07GB99ZY
H/P	CN33		nsp	nsp	CONN.	5P STRAIGHT 20017WS-05 CJP05GA19ZY
H/P	D301		00MHZ21303210	00MHZ21303210	DIODE	1SS355 CVD1SS355T
H/P	D302		00MHZ21303210	00MHZ21303210	DIODE	1SS355 CVD1SS355T
H/P	D303		00MHZ21303210	00MHZ21303210	DIODE	1SS355 CVD1SS355T
H/P	D304		00MHZ21303210	00MHZ21303210	DIODE	1SS355 CVD1SS355T
USBJACK	D305		00MHZ21303210	00MHZ21303210	DIODE	1SS355 CVD1SS355T
USBJACK	D306		00MHZ21303210	00MHZ21303210	DIODE	1SS355 CVD1SS355T
USBJACK	D307		00MHZ21303210	00MHZ21303210	DIODE	1SS355 CVD1SS355T
USBJACK	D308		00MHZ21303210	00MHZ21303210	DIODE	1SS355 CVD1SS355T
USBJACK	D309		00MHZ21303210	00MHZ21303210	DIODE	1SS355 CVD1SS355T
USBJACK	D310		00MHZ21303210	00MHZ21303210	DIODE	1SS355 CVD1SS355T
VIDEO	IC11		00MHC10234090	00MHC10234090	IC	NJM2595M CVINJM2595MTE1
VIDEO	IC12		00MHC10224090	00MHC10224090	IC	NJM2535M CVINJM2535MTE1
VIDEO	IC13		90M-HC109860R	90M-HC109860R	IC	LC74782M8A13 CVILC74782M8A13
VIDEO	IC14		90M-HC109820R	90M-HC109820R	IC	NJM2244M HVINJM2244MTE1
VIDEO	IC15		90M-HC109820R	90M-HC109820R	IC	NJM2244M HVINJM2244MTE1
VIDEO	IC17		943239008360S	943239008360S	IC	CD4094BPWR(SMD) HVICD4094BPWR
VIDEO	IC18		00D2623551002	00D2623551002	IC	NJW1321FP1 CVINJW1321FP1
VIDEO	IC19		00MHC10236090	00MHC10236090	IC	NJM2586AM HVINJM2586AMTE1

P.W.B. NAME	POS. NO.	VERS. COLOR	PART NO. (FOR EUR)	PART NO. (MZ)	PART NAME	DESCRIPTION
VIDEO	IC20		00MHC3990599F	00MHC3990599F	IC	KIA7905PI CVIKIA7905PI
VIDEO	IC21		90M-HC900040R	90M-HC900040R	IC	KIA7809AF HVIKIA7809AF
USBJACK	IC31		943239001120S	943239001120S	IC	RT9702APB CVIRT9702APB
VIDEO	JK11		943643008460S	943643008460S	TERMINAL	JACK SILVER RCA-601DA-45 CJJ4R049Z
VIDEO	JK12		943643008470S	943643008470S	TERMINAL	JACK SILVER RCA-1201A-01-19 CJJ4L013Z
H/P	JK31		90M-YT004500R	90M-YT004500R	TERMINAL	JACK SILVER PJ-612A-51 CJJ2E026Z
H/P	JK32		90M-YT005030R	90M-YT005030R	OPT. CONN.	TORX177L HJSTORX177L
H/P	JK33		90M-YT003550R	90M-YT003550R	TERMINAL	TC38-160-02 HJJ2E027Z
USBJACK	JK34		943643004430S	943643004430S	TERMINAL	USB JACK P-USB-AF180 CJJ9X003Y
VIDEO	L101		00MLC13330140	00MLC13330140	COIL	33UH HLQ02C330KT
VIDEO	L201		90M-LU000290R	90M-LU000290R	CHIP INDUCT.	MIP3226D100M 10UH CLQ10E100MRY
VIDEO	L202		90M-LU000290R	90M-LU000290R	CHIP INDUCT.	MIP3226D100M 10UH CLQ10E100MRY
VIDEO	L203		90M-LU000290R	90M-LU000290R	CHIP INDUCT.	MIP3226D100M 10UH CLQ10E100MRY
H/P	L301		90M-FN000090R	90M-FN000090R	EMI FILTER	BEAD KLZ9H001Z
USBJACK	L302		943119005010S	943119005010S	FERRITE CORE	BEAD CHIP 60(2010SIZE) CLZ9R001Z
VIDEO	Q101		90M-HT800110R	90M-HT800110R	TRS.	KTC4075GR HVTKTC4075GR
VIDEO	Q102		90M-HT800110R	90M-HT800110R	TRS.	KTC4075GR HVTKTC4075GR
VIDEO	Q103	N1B	90M-HX800090R	90M-HX800090R	CHIP TRS.	KRC111S HVTKRC111S
VIDEO	Q103	/N1SG	90M-HX800090R	90M-HX800090R	CHIP TRS.	KRC111S HVTKRC111S
VIDEO	Q103	/K1SG	nsp	90M-HX800090R	CHIP TRS.	KRC111S HVTKRC111S
VIDEO	Q104	N1B	00MHT805501B0	00MHT805501B0	TRS.	KTC2874B HVTKTC2874BT
VIDEO	Q104	/N1SG	00MHT805501B0	00MHT805501B0	TRS.	KTC2874B HVTKTC2874BT
VIDEO	Q104	/K1SG	nsp	00MHT805501B0	TRS.	KTC2874B HVTKTC2874BT
VIDEO	Q105	N1B	90M-HX600010R	90M-HX600010R	CHIP TRS.	KRA102S HVTKRA102S
VIDEO	Q105	/N1SG	90M-HX600010R	90M-HX600010R	CHIP TRS.	KRA102S HVTKRA102S
VIDEO	Q105	/K1SG	nsp	90M-HX600010R	CHIP TRS.	KRA102S HVTKRA102S
VIDEO	Q106		90M-HX800010R	90M-HX800010R	CHIP TRS.	KRC102S HVTKRC102S
VIDEO	Q107		90M-HT800110R	90M-HT800110R	TRS.	KTC4075GR HVTKTC4075GR
VIDEO	Q108		90M-HT800110R	90M-HT800110R	TRS.	KTC4075GR HVTKTC4075GR
VIDEO	Q109		90M-HT600050R	90M-HT600050R	TRS.	KTA2014GR HVTKTA2014GR
VIDEO	Q110		90M-HT800110R	90M-HT800110R	TRS.	KTC4075GR HVTKTC4075GR
VIDEO	R101		nsp	00MNN05750610	CHIP RES.	75 OHM 1/10W J CRJ10DJ750T
VIDEO	R102		nsp	00MNN05750610	CHIP RES.	75 OHM 1/10W J CRJ10DJ750T
VIDEO	R103		nsp	00MNN05750610	CHIP RES.	75 OHM 1/10W J CRJ10DJ750T
VIDEO	R104		nsp	00MNN05750610	CHIP RES.	75 OHM 1/10W J CRJ10DJ750T
VIDEO	R105		nsp	00MNN05750610	CHIP RES.	75 OHM 1/10W J CRJ10DJ750T
VIDEO	R106		nsp	00MNN05750610	CHIP RES.	75 OHM 1/10W J CRJ10DJ750T
VIDEO	R107		943129008410S	943129008410S	CHIP RES.	68 OHM 1/10W J CRJ10DJ680T
VIDEO	R108		nsp	00MNN05750610	CHIP RES.	75 OHM 1/10W J CRJ10DJ750T
VIDEO	R111		nsp	00MNN05105610	CHIP RES.	1M OHM 1/10W J CRJ10DJ105T
VIDEO	R113		nsp	00MNN05105610	CHIP RES.	1M OHM 1/10W J CRJ10DJ105T
VIDEO	R114		nsp	00MNN05105610	CHIP RES.	1M OHM 1/10W J CRJ10DJ105T
VIDEO	R115		nsp	00MNN05104610	CHIP RES.	100K OHM 1/10W J CRJ10DJ104T
VIDEO	R116		nsp	00MNN05153610	CHIP RES.	15K OHM 1/10W J CRJ10DJ153T
VIDEO	R117		nsp	00MNN05103610	CHIP RES.	10K OHM 1/10W J CRJ10DJ103T
VIDEO	R118		nsp	00MNN05471610	CHIP RES.	470 OHM 1/10W J CRJ10DJ471T
VIDEO	R119		nsp	00MNN05221610	CHIP RES.	220 OHM 1/10W J CRJ10DJ221T
VIDEO	R120		nsp	00MNN05101610	CHIP RES.	100 OHM 1/10W J CRJ10DJ101T
VIDEO	R121		nsp	00MNN05101610	CHIP RES.	100 OHM 1/10W J CRJ10DJ101T
VIDEO	R122		nsp	00MNN05000610	CHIP RES.	0 OHM 1/10W J CRJ10DJ0R0T
VIDEO	R123		nsp	00MNN05105610	CHIP RES.	1M OHM 1/10W J CRJ10DJ105T
VIDEO	R124	U1B	nsp	00MNN05000610	CHIP RES.	0 OHM 1/10W J CRJ10DJ0R0T
VIDEO	R124	/FB	nsp	00MNN05000610	CHIP RES.	0 OHM 1/10W J CRJ10DJ0R0T
VIDEO	R125		nsp	00MNN05103610	CHIP RES.	10K OHM 1/10W J CRJ10DJ103T
VIDEO	R126		nsp	00MNN05472610	CHIP RES.	4.7K OHM 1/10W J CRJ10DJ472T

P.W.B. NAME	POS. NO.	VERS. COLOR	PART NO. (FOR EUR)	PART NO. (MZ)	PART NAME	DESCRIPTION
VIDEO	R127		nsp	00MNN05103610	CHIP RES.	10K OHM 1/10W J CRJ10DJ103T
VIDEO	R128		nsp	00MNN05102610	CHIP RES.	1K OHM 1/10W J CRJ10DJ102T
VIDEO	R129		nsp	00MNN05560610	CHIP RES.	56 OHM 1/10W J CRJ10DJ560T
VIDEO	R130		nsp	00MNN05102610	CHIP RES.	1K OHM 1/10W J CRJ10DJ102T
VIDEO	R131		nsp	00MNN05103610	CHIP RES.	10K OHM 1/10W J CRJ10DJ103T
VIDEO	R132		nsp	00MNN05102610	CHIP RES.	1K OHM 1/10W J CRJ10DJ102T
VIDEO	R133		nsp	00MNN05750610	CHIP RES.	75 OHM 1/10W J CRJ10DJ750T
VIDEO	R134		nsp	00MNN05471610	CHIP RES.	470 OHM 1/10W J CRJ10DJ471T
VIDEO	R137		nsp	00MNN05105610	CHIP RES.	1M OHM 1/10W J CRJ10DJ105T
VIDEO	R138		nsp	00MNN05105610	CHIP RES.	1M OHM 1/10W J CRJ10DJ105T
VIDEO	R139		nsp	00MNN05105610	CHIP RES.	1M OHM 1/10W J CRJ10DJ105T
VIDEO	R140		nsp	00MNN05750610	CHIP RES.	75 OHM 1/10W J CRJ10DJ750T
VIDEO	R141		nsp	00MNN05121610	CHIP RES.	120 OHM 1/10W J CRJ10DJ121T
VIDEO	R142		nsp	00MNN05101610	CHIP RES.	100 OHM 1/10W J CRJ10DJ101T
VIDEO	R143		nsp	00MNN05105610	CHIP RES.	1M OHM 1/10W J CRJ10DJ105T
VIDEO	R144		nsp	00MNN05105610	CHIP RES.	1M OHM 1/10W J CRJ10DJ105T
VIDEO	R145		nsp	00MNN05105610	CHIP RES.	1M OHM 1/10W J CRJ10DJ105T
VIDEO	R148		nsp	00MNN05750610	CHIP RES.	75 OHM 1/10W J CRJ10DJ750T
VIDEO	R149		nsp	00MNN05750610	CHIP RES.	75 OHM 1/10W J CRJ10DJ750T
VIDEO	R150		nsp	00MNN05750610	CHIP RES.	75 OHM 1/10W J CRJ10DJ750T
VIDEO	R151		nsp	00MNN05750610	CHIP RES.	75 OHM 1/10W J CRJ10DJ750T
VIDEO	R152		nsp	00MNN05750610	CHIP RES.	75 OHM 1/10W J CRJ10DJ750T
VIDEO	R153		nsp	00MNN05750610	CHIP RES.	75 OHM 1/10W J CRJ10DJ750T
VIDEO	R154		nsp	00MNN05750610	CHIP RES.	75 OHM 1/10W J CRJ10DJ750T
VIDEO	R155		nsp	00MNN05750610	CHIP RES.	75 OHM 1/10W J CRJ10DJ750T
VIDEO	R156		nsp	00MNN05750610	CHIP RES.	75 OHM 1/10W J CRJ10DJ750T
VIDEO	R162		nsp	00MNN05121610	CHIP RES.	120 OHM 1/10W J CRJ10DJ121T
VIDEO	R163		nsp	00MNN05121610	CHIP RES.	120 OHM 1/10W J CRJ10DJ121T
VIDEO	R167		nsp	00MNN05121610	CHIP RES.	120 OHM 1/10W J CRJ10DJ121T
VIDEO	R169		nsp	00MNN05151610	CHIP RES.	150 OHM 1/10W J CRJ10DJ151T
VIDEO	R170		nsp	00MNN05750610	CHIP RES.	75 OHM 1/10W J CRJ10DJ750T
VIDEO	R171		nsp	00MNN05750610	CHIP RES.	75 OHM 1/10W J CRJ10DJ750T
VIDEO	R172		nsp	00MNN05750610	CHIP RES.	75 OHM 1/10W J CRJ10DJ750T
VIDEO	R179		nsp	00MNN05102610	CHIP RES.	1K OHM 1/10W J CRJ10DJ102T
VIDEO	R180		nsp	00MNN05105610	CHIP RES.	1M OHM 1/10W J CRJ10DJ105T
VIDEO	R181		nsp	00MNN05105610	CHIP RES.	1M OHM 1/10W J CRJ10DJ105T
VIDEO	R182		nsp	00MNN05332610	CHIP RES.	3.3K OHM 1/10W J CRJ10DJ332T
VIDEO	R183		nsp	00MNN05332610	CHIP RES.	3.3K OHM 1/10W J CRJ10DJ332T
VIDEO	R184		nsp	00MNN05105610	CHIP RES.	1M OHM 1/10W J CRJ10DJ105T
VIDEO	R185		nsp	00MNN05332610	CHIP RES.	3.3K OHM 1/10W J CRJ10DJ332T
VIDEO	R186		nsp	00MNN05750610	CHIP RES.	75 OHM 1/10W J CRJ10DJ750T
VIDEO	R187		nsp	00MNN05750610	CHIP RES.	75 OHM 1/10W J CRJ10DJ750T
VIDEO	R188		nsp	00MNN05750610	CHIP RES.	75 OHM 1/10W J CRJ10DJ750T
VIDEO	R189		nsp	00MNN05750610	CHIP RES.	75 OHM 1/10W J CRJ10DJ750T
VIDEO	R190		nsp	00MNN05750610	CHIP RES.	75 OHM 1/10W J CRJ10DJ750T
VIDEO	R191		nsp	00MNN05750610	CHIP RES.	75 OHM 1/10W J CRJ10DJ750T
VIDEO	R211		nsp	00MNN05472610	CHIP RES.	4.7K OHM 1/10W J CRJ10DJ472T
VIDEO	R212		nsp	00MNN05472610	CHIP RES.	4.7K OHM 1/10W J CRJ10DJ472T
VIDEO	R213		nsp	00MNN05000610	CHIP RES.	0 OHM 1/10W J CRJ10DJ0R0T
H/P	R301		nsp	00MNN05471610	CHIP RES.	470 OHM 1/10W J CRJ10DJ471T
H/P	R302		nsp	00D9430112705	RES.	330 OHM 1W METAL OXIDE FILM CRG1ANJ331H
H/P	R303		nsp	00D9430112705	RES.	330 OHM 1W METAL OXIDE FILM CRG1ANJ331H
H/P	R304		nsp	00MNN05472610	CHIP RES.	4.7K OHM 1/10W J CRJ10DJ472T
USB JACK	R305		nsp	00MNN05222610	CHIP RES.	2.2K OHM 1/10W J CRJ10DJ222T
VIDEO	T301		nsp	nsp	CORD	WIRE ASSY CWE8102140RV

P.W.B. NAME	POS. NO.	VERS. COLOR	PART NO. (FOR EUR)	PART NO. (MZ)	PART NAME	DESCRIPTION	
VIDEO	X101		90M-JX001080R	90M-JX001080R	X'TAL	14.318MHZ	HOX14318D220F
VIDEO	X102	N1B	90M-JX001090R	90M-JX001090R	X'TAL	17.318MHZ	HOX17744D220F
VIDEO	X102	/N1SG	90M-JX001090R	90M-JX001090R	X'TAL	17.318MHZ	HOX17744D220F
VIDEO	X102	/K1SG	nsp	90M-JX001090R	X'TAL	17.318MHZ	HOX17744D220F
USB PWB ASS'Y (COP12211)							
USB	BN84		nsp	nsp	CONN.	40P PIN HEADER 2.54MM ANGLE	CJP40GB142ZB
USB	BN85		nsp	nsp	CONN.	40P PIN HEADER 2.54MM ANGLE	CJP40GB142ZB
USB	C300		nsp	00MDK96104300	CER. CAP.	0.1UF 50V K	CCUS1H104KC
USB	C301	U1B	nsp	00MDK96104300	CER. CAP.	0.1UF 50V K	CCUS1H104KC
USB	C303		nsp	00MDD95471300	CER. CAP.	470PF 50V JA	CCUS1H471JA
USB	C304		nsp	00MDD95471300	CER. CAP.	470PF 50V JA	CCUS1H471JA
USB	C305	U1B	nsp	00MDD95471300	CER. CAP.	470PF 50V JA	CCUS1H471JA
USB	C306	U1B	nsp	00MDD95471300	CER. CAP.	470PF 50V JA	CCUS1H471JA
USB	C307	U1B	nsp	90M-EJ000040R	ELECT CAP.	10UF 50V KS	CCEA1HKS100T
USB	C308	U1B	nsp	90M-EJ000040R	ELECT CAP.	10UF 50V KS	CCEA1HKS100T
USB	C309		nsp	00MDK96104300	CER. CAP.	0.1UF 50V K	CCUS1H104KC
USB	C310		00MOA47701620	00MOA47701620	ELECT CAP.	470UF 16V ZF	CCEA1CH471T
USB	C311	U1B	nsp	00MOA10605020	ELECT CAP.	10UF 50V	CCEA1HH100T
USB	C312	U1B	nsp	90M-EJ000040R	ELECT CAP.	10UF 50V KS	CCEA1HKS100T
USB	C313	U1B	nsp	00MDK96104300	CER. CAP.	0.1UF 50V K	CCUS1H104KC
USB	C314	U1B	nsp	00MDK96104300	CER. CAP.	0.1UF 50V K	CCUS1H104KC
USB	C315		nsp	00MDK96102300	CER. CAP.	1000PF 50V KC	CCUS1H102KC
USB	C316		00MOA10605020	00MOA10605020	ELECT CAP.	10UF 50V	CCEA1HH100T
USB	C317		00MOA10605020	00MOA10605020	ELECT CAP.	10UF 50V	CCEA1HH100T
USB	C318		nsp	00MDK96102300	CER. CAP.	1000PF 50V KC	CCUS1H102KC
USB	C319		00MOA10605020	00MOA10605020	ELECT CAP.	10UF 50V	CCEA1HH100T
USB	C320		00MOA10605020	00MOA10605020	ELECT CAP.	10UF 50V	CCEA1HH100T
USB	C321		00MOA10605020	00MOA10605020	ELECT CAP.	10UF 50V	CCEA1HH100T
USB	C322		00MOA10605020	00MOA10605020	ELECT CAP.	10UF 50V	CCEA1HH100T
USB	C323		nsp	00MDK96104300	CER. CAP.	0.1UF 50V K	CCUS1H104KC
USB	C324		nsp	00MDK96104300	CER. CAP.	0.1UF 50V K	CCUS1H104KC
USB	C325		nsp	00MDK96104300	CER. CAP.	0.1UF 50V K	CCUS1H104KC
USB	C326		00MOA10605020	00MOA10605020	ELECT CAP.	10UF 50V	CCEA1HH100T
USB	C327		nsp	00MDK96104300	CER. CAP.	0.1UF 50V K	CCUS1H104KC
USB	C328		nsp	00MDK96104300	CER. CAP.	0.1UF 50V K	CCUS1H104KC
USB	C329		nsp	00MDK96104300	CER. CAP.	0.1UF 50V K	CCUS1H104KC
USB	C330		nsp	00MDK96104300	CER. CAP.	0.1UF 50V K	CCUS1H104KC
USB	C331		nsp	00MDK96104300	CER. CAP.	0.1UF 50V K	CCUS1H104KC
USB	C332		nsp	00MDK96104300	CER. CAP.	0.1UF 50V K	CCUS1H104KC
USB	C333		nsp	00MDK96104300	CER. CAP.	0.1UF 50V K	CCUS1H104KC
USB	C334		nsp	00MDD9515030R	CER. CAP.	15PF 50V JA	CCUS1H150JA
USB	C335		nsp	00MDK96104300	CER. CAP.	0.1UF 50V K	CCUS1H104KC
USB	C336		nsp	00MDK96104300	CER. CAP.	0.1UF 50V K	CCUS1H104KC
USB	C337		nsp	00MDD9515030R	CER. CAP.	15PF 50V JA	CCUS1H150JA
USB	C338		00MOA10605020	00MOA10605020	ELECT CAP.	10UF 50V	CCEA1HH100T
USB	C339		nsp	00MDK96104300	CER. CAP.	0.1UF 50V K	CCUS1H104KC
USB	C340		nsp	00MDK96104300	CER. CAP.	0.1UF 50V K	CCUS1H104KC
USB	C341		nsp	00MDK96104300	CER. CAP.	0.1UF 50V K	CCUS1H104KC
USB	C342		nsp	00MDK96104300	CER. CAP.	0.1UF 50V K	CCUS1H104KC
USB	C343		nsp	00MDK96104300	CER. CAP.	0.1UF 50V K	CCUS1H104KC
USB	C344		00MOA10605020	00MOA10605020	ELECT CAP.	10UF 50V	CCEA1HH100T
USB	C345		00MOA10605020	00MOA10605020	ELECT CAP.	10UF 50V	CCEA1HH100T
USB	C346		00MOA10605020	00MOA10605020	ELECT CAP.	10UF 50V	CCEA1HH100T
USB	C347		nsp	00MDK96104300	CER. CAP.	0.1UF 50V K	CCUS1H104KC
USB	C348		nsp	00MDK96104300	CER. CAP.	0.1UF 50V K	CCUS1H104KC

P.W.B. NAME	POS. NO.	VERS. COLOR	PART NO. (FOR EUR)	PART NO. (MZ)	PART NAME	DESCRIPTION
USB	C349		nsp	00MDD95120300	CER. CAP.	12PF 50V JA CCUS1H120JA
USB	C350		00MOA10605020	00MOA10605020	ELECT CAP.	10UF 50V CCEA1HH100T
USB	C351		nsp	00MDD95120300	CER. CAP.	12PF 50V JA CCUS1H120JA
USB	C352		nsp	00MDK96104300	CER. CAP.	0.1UF 50V K CCUS1H104KC
USB	C353		nsp	00MDD90050300	CER. CAP.	5PF 50V C CCUS1H050CA
USB	C354		nsp	00MDK96104300	CER. CAP.	0.1UF 50V K CCUS1H104KC
USB	C355		nsp	00MDK96104300	CER. CAP.	0.1UF 50V K CCUS1H104KC
USB	C356		nsp	00MDD90050300	CER. CAP.	5PF 50V C CCUS1H050CA
USB	C357		nsp	00MDD91100300	CER. CAP.	10PF 50V JA CCUS1H100JA
USB	C358		nsp	00MDD91100300	CER. CAP.	10PF 50V JA CCUS1H100JA
USB	C359		nsp	00MDK96104300	CER. CAP.	0.1UF 50V K CCUS1H104KC
USB	C360		nsp	00MDK96104300	CER. CAP.	0.1UF 50V K CCUS1H104KC
USB	C361		nsp	00MDK96104300	CER. CAP.	0.1UF 50V K CCUS1H104KC
USB	C366		nsp	00MDK96104300	CER. CAP.	0.1UF 50V K CCUS1H104KC
USB	C370		00MOA47701620	00MOA47701620	ELECT CAP.	470UF 16V ZF CCEA1CH471T
USB	C377		nsp	00MDK96104300	CER. CAP.	0.1UF 50V K CCUS1H104KC
USB	C394		nsp	00MDK96104300	CER. CAP.	0.1UF 50V K CCUS1H104KC
USB	C396		nsp	00MDK96104300	CER. CAP.	0.1UF 50V K CCUS1H104KC
USB	C397		nsp	00MDK96104300	CER. CAP.	0.1UF 50V K CCUS1H104KC
USB	C398		00MOA10605020	00MOA10605020	ELECT CAP.	10UF 50V CCEA1HH100T
USB	C399		00MOA10605020	00MOA10605020	ELECT CAP.	10UF 50V CCEA1HH100T
USB	CN30	N1B	nsp	nsp	CONN.	17P WAFER 12511HS-17 FFC CJP17GA115ZY
USB	CN30	/N1SG	nsp	nsp	CONN.	17P WAFER 12511HS-17 FFC CJP17GA115ZY
USB	CN30	K1SG	nsp	nsp	CONN.	15P 12511HS-15 FFC CJP15GA115ZY
USB	CN30	/U1B	nsp	nsp	CONN.	15P 12511HS-15 FFC CJP15GA115ZY
USB	CN30	/FB	nsp	nsp	CONN.	15P 12511HS-15 FFC CJP15GA115ZY
USB	CN31		nsp	nsp	CONN.	22P FEMALE HEADER 2.54MM STRAIGHT CJP22GA221ZB
USB	CN32		nsp	nsp	CONN.	50P FEMALE HEADER 2.54MM STRAIGHT CJP50GA221ZB
USB	CN33		nsp	nsp	WAFER	9P WAFER CJP07GJ247ZW
USB	IC30	U1B	nsp	00MHC10102090	IC	NJM2068MD-TE1 HVINJM2068MDTE1
USB	IC31		943235003870S	943235003870S	IC	CS4352CZZR CVICS4352CZZR
USB	IC32		00MHC008005K0	00MHC008005K0	IC	TC7WHU04FU(TE12) CVITC7WHU04FU
USB	IC33		90M-HC900150R	90M-HC900150R	IC	KIA1117S/F33 REGULATOR(SOT-223) CVIKIA1117S33
USB	IC34		245710006603S	245710006603S	IC	UPD63901GJ(A)-301-8EN-A CVI245710006603SM
USB	IC35		943243008480M	943243008480M	IC USB MCU SR6004	R5F212AASNFP(R8C/2A) CVIANAM1491AV
USB	IC36		236710076509S	236710076509S	IC	IPOD/IPHONE AVAILABLE CVI236710076509S-DM
USB	IC38		90M-HC900150R	90M-HC900150R	IC	KIA1117S/F33 REGULATOR(SOT-223) CVIKIA1117S33
USB	JK30	U1B	nsp	943646001440S	TERMINAL	DIN-801 DIN SOCKET CJJ9N007Z
USB	JK31		943643008490S	943643008490S	TERMINAL	DIN-901A1 CJS6V001Z
USB	Q300		90M-BA001620R	90M-BA001620R	CHIP TRS.	KRC103S CVTKRC103S
USB	Q301	U1B	nsp	90M-HX800010R	CHIP TRS.	KRC102S HVTKRC102S
USB	Q302		90M-HX800010R	90M-HX800010R	CHIP TRS.	KRC102S HVTKRC102S
USB	Q303		90M-HX600010R	90M-HX600010R	CHIP TRS.	KRA102S HVTKRA102S
USB	Q304		90M-HX600010R	90M-HX600010R	CHIP TRS.	KRA102S HVTKRA102S
USB	Q305		90M-BA001620R	90M-BA001620R	CHIP TRS.	KRC103S CVTKRC103S
USB	Q306		90M-BA001620R	90M-BA001620R	CHIP TRS.	KRC103S CVTKRC103S
USB	R300		nsp	00MNN05103610	CHIP RES.	10K OHM 1/10W J CRJ10DJ103T
USB	R301		nsp	00MNN05101610	CHIP RES.	100 OHM 1/10W J CRJ10DJ101T
USB	R302		nsp	00MNN05101610	CHIP RES.	100 OHM 1/10W J CRJ10DJ101T
USB	R303	U1B	nsp	00MNN05332610	CHIP RES.	3.3K OHM 1/10W J CRJ10DJ332T
USB	R304	U1B	nsp	00MNN05473610	CHIP RES.	47K OHM 1/10W J CRJ10DJ473T
USB	R305	U1B	nsp	00MNN05473610	CHIP RES.	47K OHM 1/10W J CRJ10DJ473T
USB	R306	U1B	nsp	00MNN05332610	CHIP RES.	3.3K OHM 1/10W J CRJ10DJ332T

P.W.B. NAME	POS. NO.	VERS. COLOR	PART NO. (FOR EUR)	PART NO. (MZ)	PART NAME	DESCRIPTION
USB	R307		nsp	00MNN05000610	CHIP RES.	0 OHM 1/10W J CRJ10DJ0R0T
USB	R308		nsp	00MNN05104610	CHIP RES.	100K OHM 1/10W J CRJ10DJ104T
USB	R309	U1B	nsp	00MNN05101610	CHIP RES.	100 OHM 1/10W J CRJ10DJ101T
USB	R310	U1B	nsp	00MNN05101610	CHIP RES.	100 OHM 1/10W J CRJ10DJ101T
USB	R311		nsp	00MNN05104610	CHIP RES.	100K OHM 1/10W J CRJ10DJ104T
USB	R313	U1B	nsp	00MNN05473610	CHIP RES.	47K OHM 1/10W J CRJ10DJ473T
USB	R314	U1B	nsp	00MNN05473610	CHIP RES.	47K OHM 1/10W J CRJ10DJ473T
USB	R316	U1B	nsp	00MNN05473610	CHIP RES.	47K OHM 1/10W J CRJ10DJ473T
USB	R317	U1B	nsp	00MNN05473610	CHIP RES.	47K OHM 1/10W J CRJ10DJ473T
USB	R318	U1B	nsp	00MNN05101610	CHIP RES.	100 OHM 1/10W J CRJ10DJ101T
USB	R319	U1B	nsp	00MNN05101610	CHIP RES.	100 OHM 1/10W J CRJ10DJ101T
USB	R320		nsp	00MNN05223610	CHIP RES.	22K OHM 1/10W J CRJ10DJ223T
USB	R321		nsp	00MNN05223610	CHIP RES.	22K OHM 1/10W J CRJ10DJ223T
USB	R322		nsp	00MNN05223610	CHIP RES.	22K OHM 1/10W J CRJ10DJ223T
USB	R323		nsp	00MNN05683610	CHIP RES.	68K OHM 1/10W J CRJ10DJ683T
USB	R324		nsp	00MNN05222610	CHIP RES.	2.2K OHM 1/10W J CRJ10DJ222T
USB	R325		nsp	00MNN05223610	CHIP RES.	22K OHM 1/10W J CRJ10DJ223T
USB	R326		nsp	00MNN05223610	CHIP RES.	22K OHM 1/10W J CRJ10DJ223T
USB	R328		nsp	00MNN05101610	CHIP RES.	100 OHM 1/10W J CRJ10DJ101T
USB	R329		nsp	00MNN05473610	CHIP RES.	47K OHM 1/10W J CRJ10DJ473T
USB	R330		nsp	00MNN05473610	CHIP RES.	47K OHM 1/10W J CRJ10DJ473T
USB	R331		nsp	00MNN05101610	CHIP RES.	100 OHM 1/10W J CRJ10DJ101T
USB	R332		nsp	00MNN05000610	CHIP RES.	0 OHM 1/10W J CRJ10DJ0R0T
USB	R333		nsp	00MNN05103610	CHIP RES.	10K OHM 1/10W J CRJ10DJ103T
USB	R334		nsp	00MNN05220610	CHIP RES.	22 OHM 1/10W J CRJ10DJ220T
USB	R335		nsp	00MNN05220610	CHIP RES.	22 OHM 1/10W J CRJ10DJ220T
USB	R336		nsp	00MNN05220610	CHIP RES.	22 OHM 1/10W J CRJ10DJ220T
USB	R337		nsp	00MNN05220610	CHIP RES.	22 OHM 1/10W J CRJ10DJ220T
USB	R338		nsp	00MNN05271610	CHIP RES.	270 OHM +-5% 1/16W CRJ10DJ271T
USB	R339		nsp	00MNN05220610	CHIP RES.	22 OHM 1/10W J CRJ10DJ220T
USB	R340		nsp	00MNN05103610	CHIP RES.	10K OHM 1/10W J CRJ10DJ103T
USB	R341		nsp	00MNN05105610	CHIP RES.	1M OHM 1/10W J CRJ10DJ105T
USB	R342		nsp	00MNN05103610	CHIP RES.	10K OHM 1/10W J CRJ10DJ103T
USB	R343		nsp	00MNN05103610	CHIP RES.	10K OHM 1/10W J CRJ10DJ103T
USB	R344		nsp	00MNN05103610	CHIP RES.	10K OHM 1/10W J CRJ10DJ103T
USB	R346		nsp	00MNN05000610	CHIP RES.	0 OHM 1/10W J CRJ10DJ0R0T
USB	R347		nsp	00MNN05103610	CHIP RES.	10K OHM 1/10W J CRJ10DJ103T
USB	R349		nsp	00MNN05103610	CHIP RES.	10K OHM 1/10W J CRJ10DJ103T
USB	R350		nsp	00MNN05471610	CHIP RES.	470 OHM 1/10W J CRJ10DJ471T
USB	R351		nsp	00MNN05270610	CHIP RES.	27 OHM 1/10W J CRJ10DJ270T
USB	R352		nsp	00MNN05270610	CHIP RES.	27 OHM 1/10W J CRJ10DJ270T
USB	R354		nsp	00MNN05473610	CHIP RES.	47K OHM 1/10W J CRJ10DJ473T
USB	R355		nsp	00MNN05103610	CHIP RES.	10K OHM 1/10W J CRJ10DJ103T
USB	R356		nsp	00MNN05103610	CHIP RES.	10K OHM 1/10W J CRJ10DJ103T
USB	R357		nsp	00MNN05473610	CHIP RES.	47K OHM 1/10W J CRJ10DJ473T
USB	R358		nsp	00MNN05103610	CHIP RES.	10K OHM 1/10W J CRJ10DJ103T
USB	R359		nsp	00MNN05103610	CHIP RES.	10K OHM 1/10W J CRJ10DJ103T
USB	R360		nsp	00MNN05153610	CHIP RES.	15K OHM 1/10W J CRJ10DJ153T
USB	R361		nsp	00MNN05103610	CHIP RES.	10K OHM 1/10W J CRJ10DJ103T
USB	R362		nsp	00MNN05153610	CHIP RES.	15K OHM 1/10W J CRJ10DJ153T
USB	R364		nsp	00MNN05103610	CHIP RES.	10K OHM 1/10W J CRJ10DJ103T
USB	R365		nsp	00MNN05000610	CHIP RES.	0 OHM 1/10W J CRJ10DJ0R0T
USB	R367		nsp	00MNN05000610	CHIP RES.	0 OHM 1/10W J CRJ10DJ0R0T
USB	R369		nsp	00MNN05103610	CHIP RES.	10K OHM 1/10W J CRJ10DJ103T
USB	R370		nsp	00MNN05103610	CHIP RES.	10K OHM 1/10W J CRJ10DJ103T

P.W.B. NAME	POS. NO.	VERS. COLOR	PART NO. (FOR EUR)	PART NO. (MZ)	PART NAME	DESCRIPTION
USB	R372		nsp	00MNN05103610	CHIP RES.	10K OHM 1/10W J CRJ10DJ103T
USB	R373		nsp	00MNN05220610	CHIP RES.	22 OHM 1/10W J CRJ10DJ220T
USB	R375		nsp	00MNN05220610	CHIP RES.	22 OHM 1/10W J CRJ10DJ220T
USB	R376		nsp	00MNN05101610	CHIP RES.	100 OHM 1/10W J CRJ10DJ101T
USB	R377		nsp	00MNN05000610	CHIP RES.	0 OHM 1/10W J CRJ10DJ0R0T
USB	R378		nsp	00MNN05220610	CHIP RES.	22 OHM 1/10W J CRJ10DJ220T
USB	R380		nsp	00MNN05220610	CHIP RES.	22 OHM 1/10W J CRJ10DJ220T
USB	R381		nsp	00MNN05330610	CHIP RES.	33 OHM 1/10W J CRJ10DJ330T
USB	R382		nsp	00MNN05330610	CHIP RES.	33 OHM 1/10W J CRJ10DJ330T
USB	R383		nsp	00MNN05330610	CHIP RES.	33 OHM 1/10W J CRJ10DJ330T
USB	R390		nsp	00MNN05201610	CHIP RES.	200 OHM 1/10W J CRJ10DJ201T
USB	R391		nsp	00MNN05201610	CHIP RES.	200 OHM 1/10W J CRJ10DJ201T
USB	R393		nsp	00MNN05470610	CHIP RES.	47 OHM 1/10W J CRJ10DJ470T
USB	R395		nsp	00MNN05000610	CHIP RES.	0 OHM 1/10W J CRJ10DJ0R0T
USB	X300		943141003500S	943141003500S	X'TAL	16.934MHZ HOX16934E120C
USB	X301		943141008430S	943141008430S	X'TAL	HC-49/S 20MHz (12P) COX20000E120TF
USB	X302		943141004500S	943141004500S	X'TAL	DSX630G 48MHZ COX48000I080SD

17.ABOUT REPLACE THE MICROPROCESSOR WITH A NEW ONE

When replaced of the U-PRO (Microprocessor) or the Flash ROM, confirm contents of the following.

PWB Name	Pos. No.	Description	After replaced	Remark
HDMI	IC105	M3087BFKBGP MAIN CPU SR6004	B	
HDMI	IC116	ES29LV320ET70TG DSP SR6004	B	
HDMI	IC61	R5F212AASNFP HDMI CPU SR6004	B	
USB	IC35	R5F212AASNFP USB CPU SR6004	B	

After replaced

- A: Mask ROM (With software). No need write-in of software to the microprocessor.
- B: Flash ROM (With software). Usually, no need write-in of software. But, when the software was updated, you should be write-in of the new software to the microprocessor or flash ROM. Please check the software version.
- C: Empty Flash ROM (Without software). You should be write-in of the software to the microprocessor or flash ROM. Refer to "Update procedure" or "writing procedure", when you should be write-in the software.

マイコン等を交換した場合の対応について

U-PRO(マイコン) および Flash ROM 等を交換した場合の対応方法を下記の記載します。

PWB Name	Pos. No.	Description	交換時の対応	備考
HDMI	IC105	M3087BFKBGP MAIN CPU SR6004	B	
HDMI	IC116	ES29LV320ET70TG DSP SR6004	B	
HDMI	IC61	R5F212AASNFP HDMI CPU SR6004	B	
USB	IC35	R5F212AASNFP USB CPU SR6004	B	

交換時の対応

- A: Mask ROM (ソフトウェア書き込み済み) 交換時にソフトウェアの書き込みは必要ありません。
- B: Flash ROM (ソフトウェア書き込み済み) バージョンアップにより交換時にソフトウェアの書き換えが必要な場合があります。バージョンの確認をしてください。
- C: 空 ROM (Flash ROM) 交換時必ずソフトウェアの書き込みが必要になります。Update、書き込み方法を参照してください。

Symbol	Page	Description	Before the change	After the change	Remarks
②	1	Replacement of TECHNICAL SPECIFICATIONS.	-	-	-
	2-5	Replacement of table.	-	-	-
	14	Addition of AAC (Advanced Audio Coding).	-	-	-
	15	Replacement of figure.	-	-	-
	16	Correction of FL tube display.	DVD ANA	BLU-RAY AH1	-
	22	Correction of TROUBLE SHOOTING.	P_LINE_FAIL(CN85-11pin) is 0V.	P_LINE_FAIL(CN85-12pin) is 0V.	-
	23	トラブルシューティングの訂正	パワーアンプの故障によりどれかのPower Transistor に異常な電流が流れている P_LINE_FAIL(CN85-11pin) が0V になっている P_LINE_FAIL(CN85-11pin) が0V になっている	パワーアンプからDC電圧が出力されている P_AMP_FAIL(CN85-10pin) が0V になっている P_LINE_FAIL(CN85-21pin) が0V になっている	- - -
	24-30	Addition of JIG FOR SERVICING.	-	-	-
	31	Correction of button name (Item 1 of Recovery).	ENTER	MENU	-
		Correction of button name (Item 1 of How to clear the Backup Memory).	MENU	MEMORY	-
	47	Correction of u-com name (Item 5).	3087BFL	3087BFK	-
	53	Replacement of figure (Item 13).	-	-	-
	55	Replacement of figure (Item 18).	-	-	-
	77-78	Replacement of WIRING DIAGRAM.	-	-	-
	79-82	Addition of JIG BLOCK DIAGRAMS.	-	-	-
	85-86	Replacement of SCHEMATIC DIAGRAM. (MAIN PWB).	-	-	-
	125-126	Replacement of PARTS LOCATION. (INPUT B PWB).	-	-	-
	133-134	Replacement of PARTS LOCATION. (REG B PWB).	-	-	-
	152-153	Correction of u-com name.	3087BFLBGP	M3087BFKBGP	-
	187-254	Replacement of ELECTRICAL PARTS LIST.	-	-	-
	255	Correction of u-com name.	M3087BFLBGP	M3087BFKBGP	-