

MARANTZ DESIGN AND SERVICE

Using superior design and selected high grade components, **MARANTZ** company has created the ultimate in stereo sound. Only original **MARANTZ** parts can insure that your **MARANTZ** product will continue to perform to the specifications for which it is famous.

Parts for your **MARANTZ** equipment are generally available to our National Marantz Subsidiary or Agent.

ORDERING PARTS :

Parts can be ordered either by mail or by Fax.. In both cases, the correct part number has to be specified.

The following information must be supplied to eliminate delays in processing your order :

1. Complete address
2. Complete part numbers and quantities required
3. Description of parts
4. Model number for which part is required
5. Way of shipment
6. Signature : any order form or Fax. must be signed, otherwise such part order will be considered as null and void.

USA

MARANTZ AMERICA, INC.
440 MEDINAH ROAD
ROSELLE, ILLINOIS 60172
USA
PHONE : 630 - 307 - 3100
FAX : 630 - 307 - 2687

EUROPE / TRADING

MARANTZ EUROPE B.V.
P.O.BOX 80002, BUILDING SFF2
5600 JB EINDHOVEN
THE NETHERLANDS
PHONE : +31 - 40 - 2732241
FAX : +31 - 40 - 2735578

BRAZIL

MARANTZ BRAZIL
CAIXA POSTAL 21462
CEP 04698-970
SAO PAULO, SP, BRAZIL
PHONE : 0800 - 123123(Discagem Direta Gratuita)
FAX : +55 11 534. 8988

PROFESSIONAL AMERICAS

SUPERSCOPE TECHNOLOGIES, INC.
MARANTZ PROFESSIONAL PRODUCTS
2640 WHITE OAK CIRCLE, SUITE A
AURORA, ILLINOIS 60504 USA
PHONE : 630 - 820 - 4800
FAX : 630 - 820 - 8103

CANADA

LENBROOK INDUSTRIES LIMITED
633 GRANITE COURT,
PICKERING, ONTARIO L1W 3K1
CANADA
PHONE : 905 - 831 - 6333
FAX : 905 - 831 - 6936

AUSTRALIA

JAMO AUSTRALIA PTY LTD
1 EXPO COURT, P.O. BOX 350
MT. WAVERLEY VIC 3149
AUSTRALIA
PHONE : +61 - 3 - 9543 - 1522
FAX : +61 - 3 - 9543 - 3677

THAILAND

MRZ STANDARD CO.,LTD
746 - 754 MAHACHAI ROAD.,
WANGBURAPAPIROM, PHRANAKORN,
BANGKOK, 10200 THAILAND
PHONE : +66 - 2 - 222 9181
FAX : +66 - 2 - 224 6795

SINGAPORE

WO KEE HONG (S) PTE LTD
WO KEE HONG CENTRE
NO.23, LORONG 8, TOA PAYOH
SINGAPORE 319257
PHONE : +65 2544555
FAX : +65 2502213

NEW ZEALAND

WILDASH AUDIO SYSTEMS NZ
14 MALVERN ROAD MT ALBERT
AUCKLAND NEW ZEALAND
PHONE : +64 - 9 - 8451958
FAX : +64 - 9 - 8463554

TAIWAN

PAI- YUING CO., LTD.
6 TH FL NO, 148 SUNG KIANG ROAD,
TAIPEI, 10429, TAIWAN R.O.C.
PHONE : +886 - 2 - 25221304
FAX : +886 - 2 - 25630415

MALAYSIA

WO KEE HONG ELECTRONICS SDN. BHD.
SUITE 8.1, LEVEL 8, MENARA GENESIS,
NO. 33, JALAN SULTAN ISMAIL,
50250 KUALA LUMPUR, MALAYSIA
PHONE : +60 3 - 2457677
FAX : +60 3 - 2458180

JAPAN *Technical*

MARANTZ JAPAN, INC.
35- 1, 7- CHOME, SAGAMIONO
SAGAMIHARA - SHI, KANAGAWA
JAPAN 228-8505
PHONE : +81 42 748 1013
FAX : +81 42 741 9190

日本マランツ株式会社

本社 〒228-8505
神奈川県相模原市相模大野7-35-1
営業本部 〒150-0022
東京都渋谷区恵比寿南1-11-9

KOREA

MK ENTERPRISES LTD.
ROOM 604/605, ELECTRO-OFFICETEL, 16-58,
3GA, HANGANG-RO, YONGSAN-KU, SEOUL
KOREA
PHONE : +822 - 3232 - 155
FAX : +822 - 3232 - 154

SHOCK, FIRE HAZARD SERVICE TEST :

CAUTION : After servicing this appliance and prior to returning to customer, measure the resistance between either primary AC cord connector pins (with unit NOT connected to AC mains and its Power switch ON), and the face or Front Panel of product and controls and chassis bottom.

Any resistance measurement less than 1 Megohms should cause unit to be repaired or corrected before AC power is applied, and verified before it is return to the user/customer.

Ref. UL Standard No. 1492.

In case of difficulties, do not hesitate to contact the Technical
Department at above mentioned address.

1. TECHNICAL SPECIFICATIONS

FM TUNER SECTION

Frequency Range	87.5 – 108.0 MHz
Usable Sensitivity	IHF 1.8 μ V/16.4 dBf
Signal to Noise Ratio	Mono/Stereo 76/72 dB
Distortion	Mono/Stereo 0.2 / 0.3 %
Stereo Separation	1 kHz 45 dB
Alternate Channel Selectivity	\pm 400 kHz 60 dB (U version) \pm 300 kHz 60 dB (K, S version)
Image Rejection	98 MHz 70dB
Tuner Output Level	1 kHz, 75 kHz Dev 800 mV (U version) 1 kHz, 40 kHz Dev 800 mV (K, S version)

AM TUNER SECTION

Frequency Range	AM : 520 – 1710 kHz (U version) 531 – 1602 or 520 – 1710 kHz (K version) 531 – 1602 kHz (S version)
Signal to Noise Ratio	50 dB
Usable Sensitivity	Loop 400 μ V
Distortion	400 Hz, 30% Mod. 0.5%
Selectivity	\pm 20 kHz 70 dB (U version) \pm 18 kHz 70 dB (K, S version)

AUDIO SECTION

Rated Power	
Stereo Mode FRONT (20 Hz – 20 kHz)	8 ohms 125W / Ch (2ch driven)
Center (40 Hz – 20 kHz)	8 ohms 125W / Ch
Surround	8 ohms 125W / Ch
THD Front (20 Hz – 20 kHz)	8 ohms 0.05%
Input Sensitivity/Impedance	
Linear	350mV/47 kohms
Signal to Noise Rate (IHF A)	
Linear	85 dB
Dolby Surround Adjacent Channels Separation	55 dB

VIDEO

Television Format	NTSC (U version) PAL/NTSC (K, S version)
Input Level/Impedance	1 Vp-p/75 ohms
Output Level/Impedance	1 Vp-p/75 ohms
Video Frequency Response	5 Hz to 8 MHz (– 1 dB)
S/N	60 dB

GENERAL

Power Requirement	AC 120V 60 Hz (U version) AC 220 50/60 Hz (K version) AC 230V 50 Hz (S version)
Power Consumption	400W
Dimension (MAX)	
Width	18 inches (458 mm)
Height	7- $\frac{1}{2}$ inches (190 mm)
Depth	19- $\frac{1}{2}$ inches (496 mm)
Weight	48.5 lds. (22 kg)

ACCESSORIES

Remote Control Unit RC-18SR	1
-----------------------------------	---

Dolby Digital(AC-3) SECTION

Output Level (Master Volume is set 0dB)	
Front L/R, CENTER, SURROUND L/R	
1 KHz, 0 dB FS INPUT	1.1V
SUBWOOFER	
40 Hz, 0 dB FS INPUT	3.8V

Frequency Response

Front L/R, CENTER, SURROUND L/R (LARGE)	
20 Hz – 20 KHz	-1dB

Total Harmonic Distortion

Front L/R, CENTER, SURROUND L/R (1 KHz)	0.01% or less
SUBWOOFER (40 Hz)	0.07% or less
Signal to Noise Ratio (IHF-A)	96 dB
Channel Separation (1 KHz)	70 dB

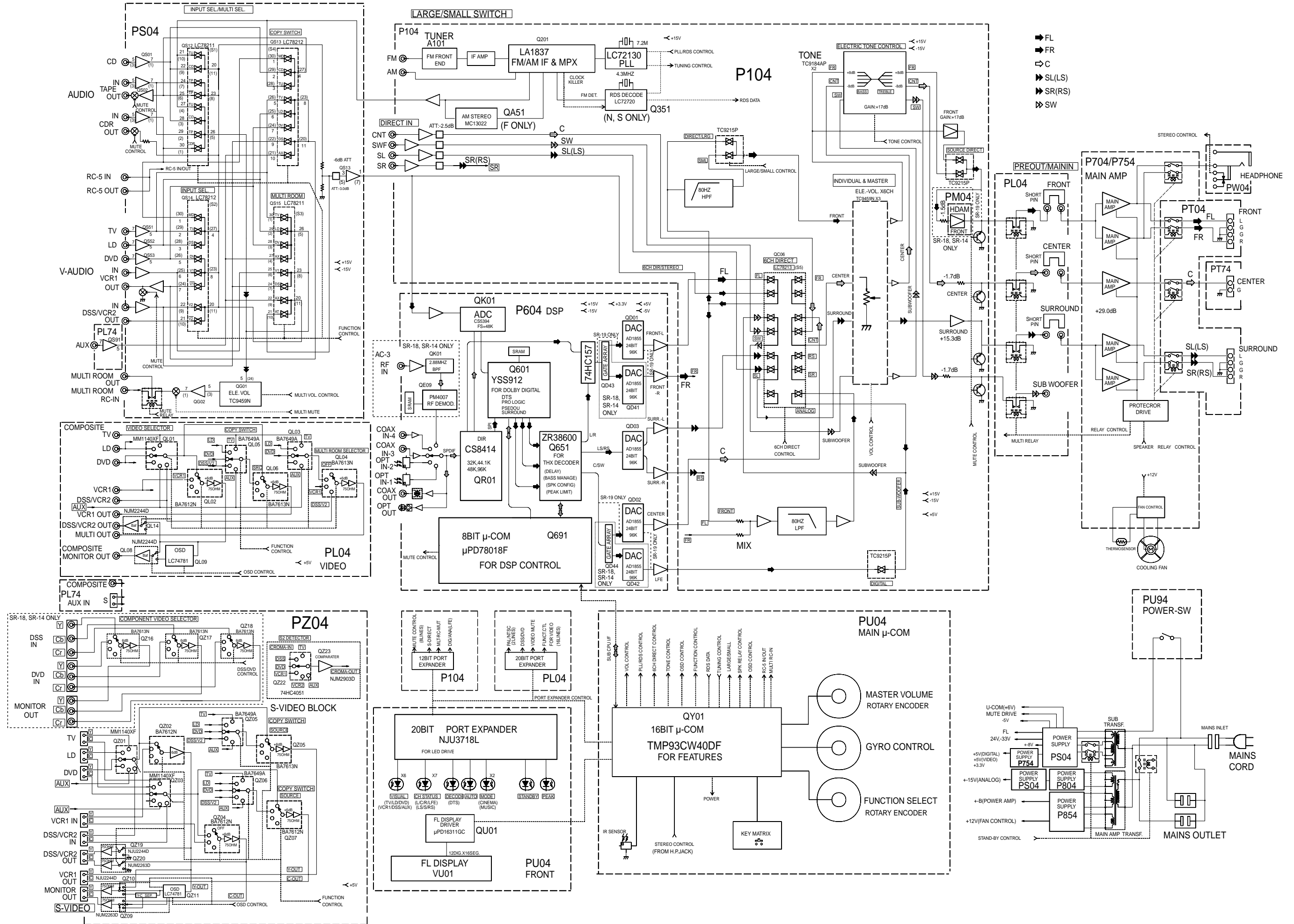
Specifications subject to change without prior notice.

Remark : Bass signal output from Sub Woofer terminal for SR-19

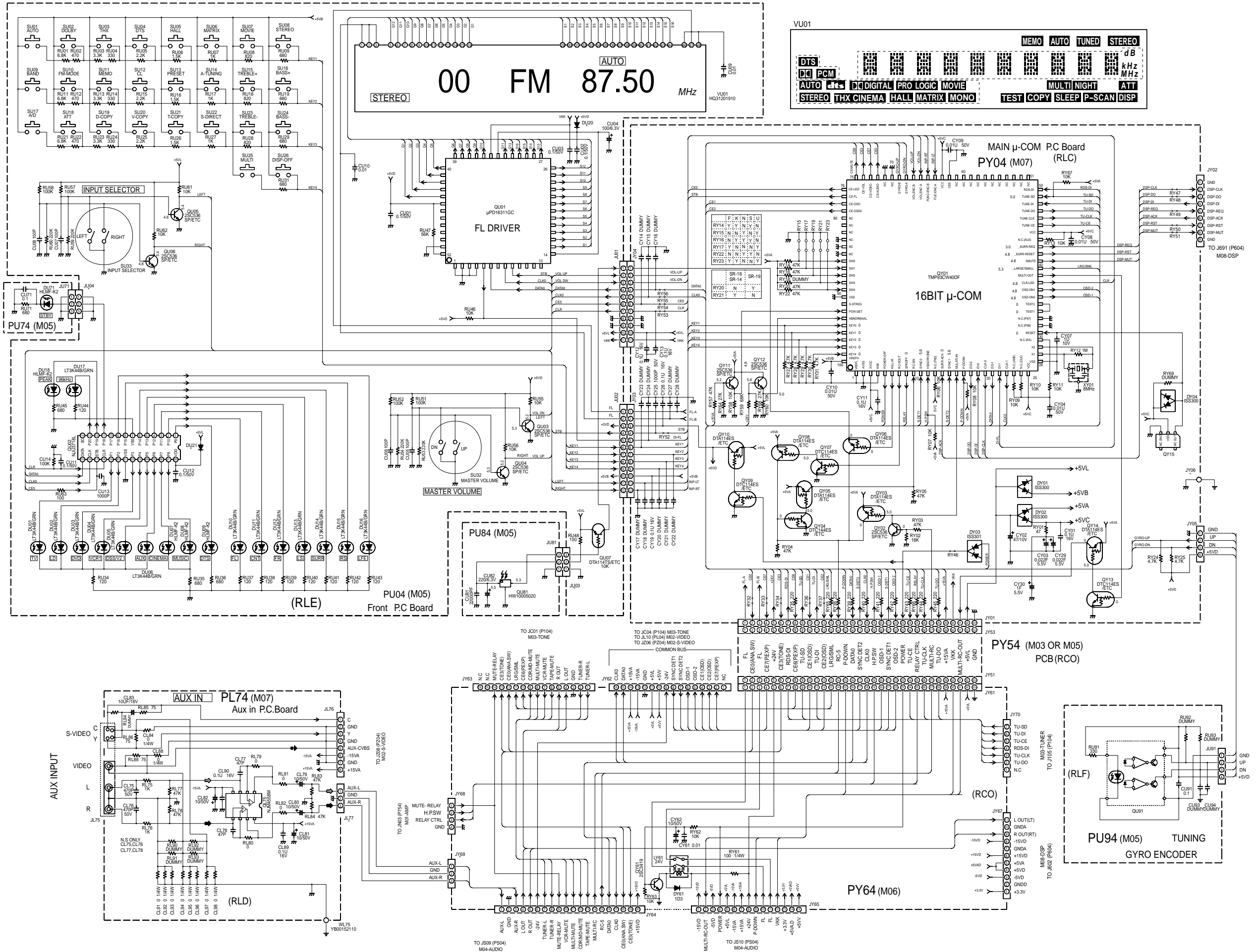
Sub woofer output is not active while all surround modes. Please refer to the following table.

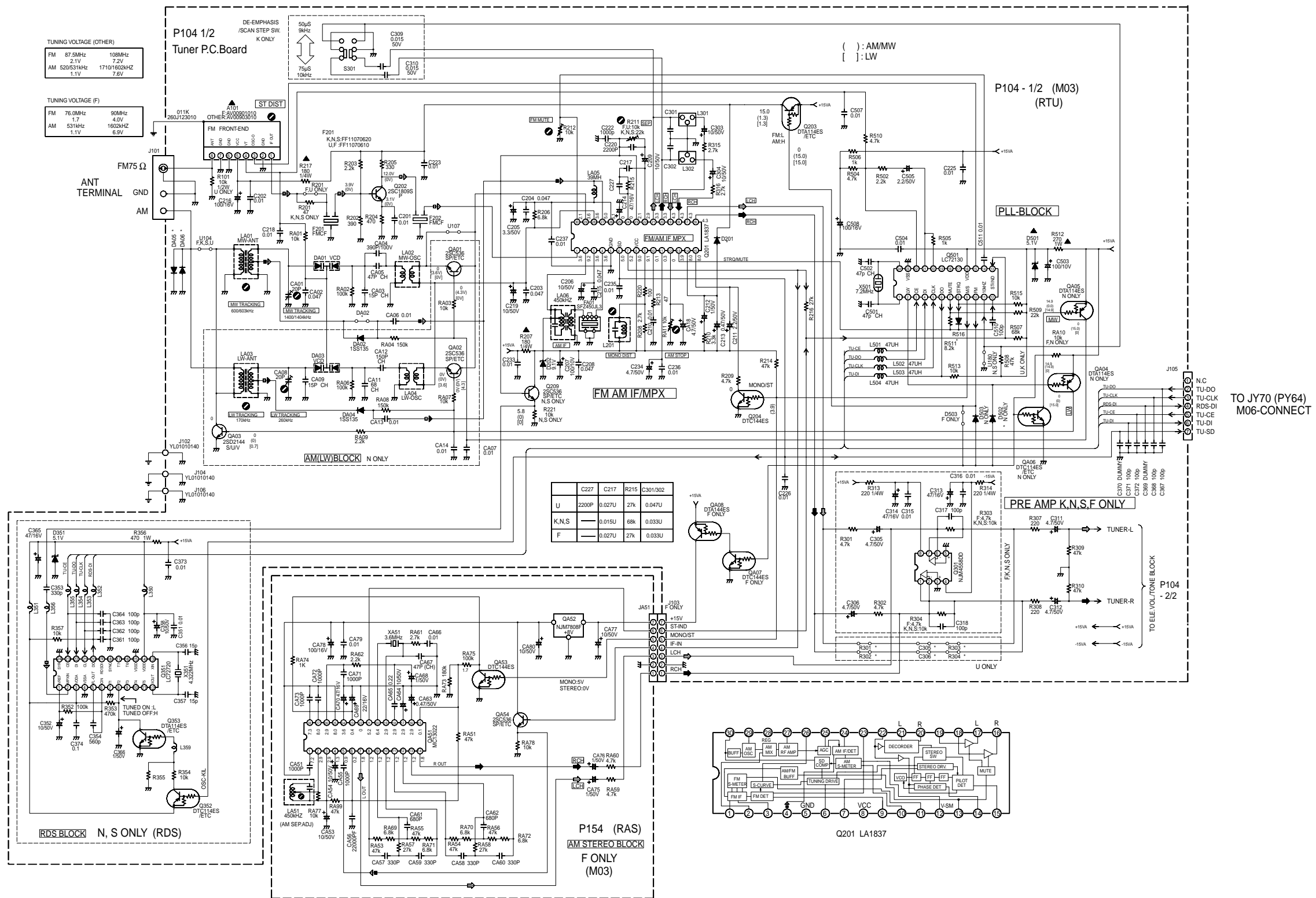
SPK setup				SubWoofer Output by Surround mode									
Sub Woofer	Front	Center	Rear	THX cinema (5.1ch decoding)	DOLBY or DTS (5.1ch decoding)	THX cinema (Pro Logic decoding)	DOLBY (Pro Logic decoding)	STEREO	AUTO (5.1ch decoding)	AUTO (Stereo decoding)	Mono		
ON	Large	Large	Large	LFE	LFE	none	none	L+R	LFE	L+R	none		
			Small	LFE+LS+RS	LFE+LS+RS	none	none	L+R	LFE+LS+RS	L+R	none		
			None	LFE	LFE	none	none	L+R	LFE	L+R	none		
		Small	Large	LFE+C	LFE+C	C	C	L+R	LFE+C	L+R	C		
			Small	LFE+C+LS+RS	LFE+C+LS+RS	C	C	L+R	LFE+C+LS+RS	L+R	C		
			None	LFE+C	LFE+C	C	C	L+R	LFE+C	L+R	C		
		None	Large	LFE	LFE	none	none	L+R	LFE	L+R	none		
			Small	LFE+LS+RS	LFE+LS+RS	none	none	L+R	LFE+LS+RS	L+R	none		
			None	LFE	LFE	none	none	L+R	LFE	L+R	none		
		Small	Large	Large	LFE+L+R	LFE+L+R	L+R	L+R	L+R	LFE+L+R	L+R	none	
				Small	LFE+L+R+LS+RS	LFE+L+R+LS+RS	L+R	L+R	L+R	LFE+L+R+LS+RS	L+R	none	
				None	LFE+L+R	LFE+L+R	L+R	L+R	L+R	LFE+L+R	L+R	none	
	Small		Large	LFE+L+R+C	LFE+L+R+C	L+R+C	L+R+C	L+R	LFE+L+R+C	L+R	C		
			Small	LFE+L+R+C+LS+RS	LFE+L+R+C+LS+RS	L+R+C	L+R+C	L+R	LFE+L+R+C+LS+RS	L+R	C		
			None	LFE+L+R+C	LFE+L+R+C	L+R+C	L+R+C	L+R	LFE+L+R+C	L+R	C		
	None		Large	LFE+L+R	LFE+L+R	L+R	L+R	L+R	LFE+L+R	L+R	C		
			Small	LFE+LS+RS	LFE+LS+RS	L+R	L+R	L+R	LFE+LS+RS	L+R	C		
			None	LFE+L+R	LFE+L+R	L+R	L+R	L+R	LFE+L+R	L+R	C		
	OFF		Large	Large	Large	none	none	none	none	none	none	none	none
					Small	none	none	none	none	none	none	none	none
					None	none	none	none	none	none	none	none	none
		Small		Large	none	none	none	none	none	none	none	none	none
				Small	none	none	none	none	none	none	none	none	none
				None	none	none	none	none	none	none	none	none	none
		None		Large	none	none	none	none	none	none	none	none	none
				Small	none	none	none	none	none	none	none	none	none
				None	none	none	none	none	none	none	none	none	none
Small		Large		Large	Prohibited	Prohibited	Prohibited	Prohibited	Prohibited	Prohibited	Prohibited	Prohibited	Prohibited
				Small	Prohibited	Prohibited	Prohibited	Prohibited	Prohibited	Prohibited	Prohibited	Prohibited	Prohibited
				None	Prohibited	Prohibited	Prohibited	Prohibited	Prohibited	Prohibited	Prohibited	Prohibited	Prohibited
		Small	Large	Prohibited	Prohibited	Prohibited	Prohibited	Prohibited	Prohibited	Prohibited	Prohibited	Prohibited	
			Small	Prohibited	Prohibited	Prohibited	Prohibited	Prohibited	Prohibited	Prohibited	Prohibited	Prohibited	
			None	Prohibited	Prohibited	Prohibited	Prohibited	Prohibited	Prohibited	Prohibited	Prohibited	Prohibited	
		None	Large	Prohibited	Prohibited	Prohibited	Prohibited	Prohibited	Prohibited	Prohibited	Prohibited	Prohibited	
			Small	Prohibited	Prohibited	Prohibited	Prohibited	Prohibited	Prohibited	Prohibited	Prohibited	Prohibited	
			None	Prohibited	Prohibited	Prohibited	Prohibited	Prohibited	Prohibited	Prohibited	Prohibited	Prohibited	

3. BLOCK DIAGRAM

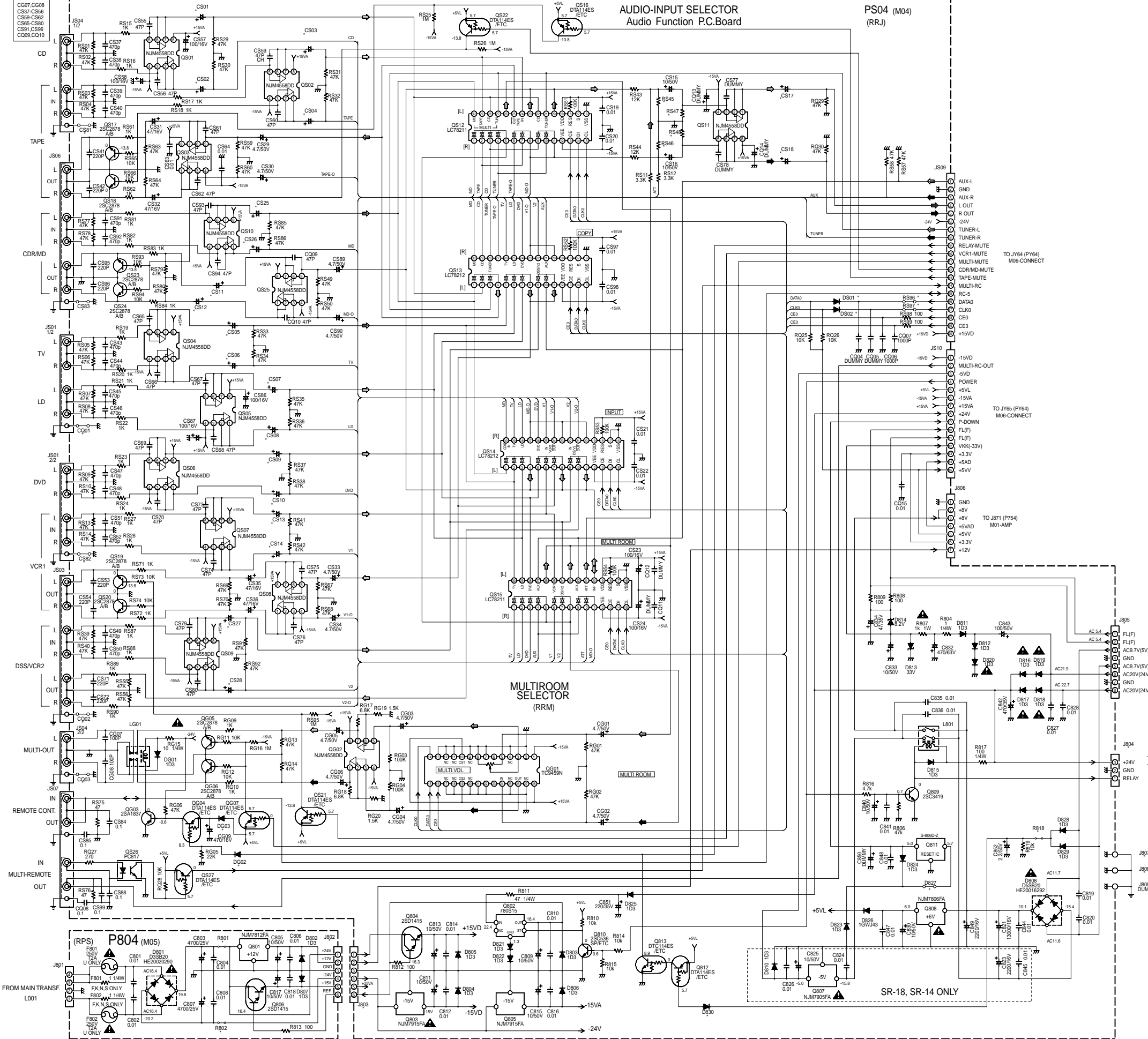


4. SCHEMATIC DIAGRAM

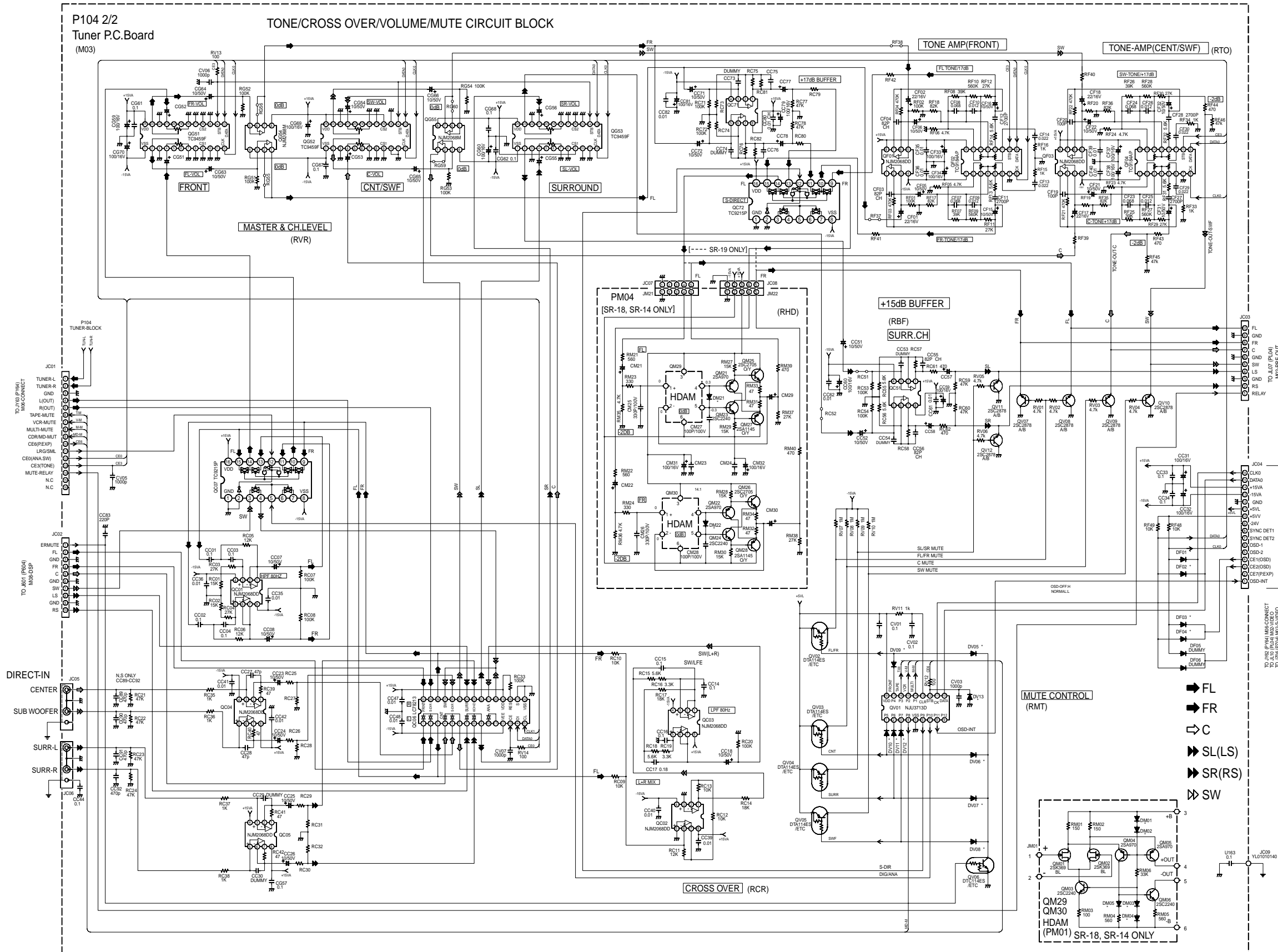




N.S ONLY

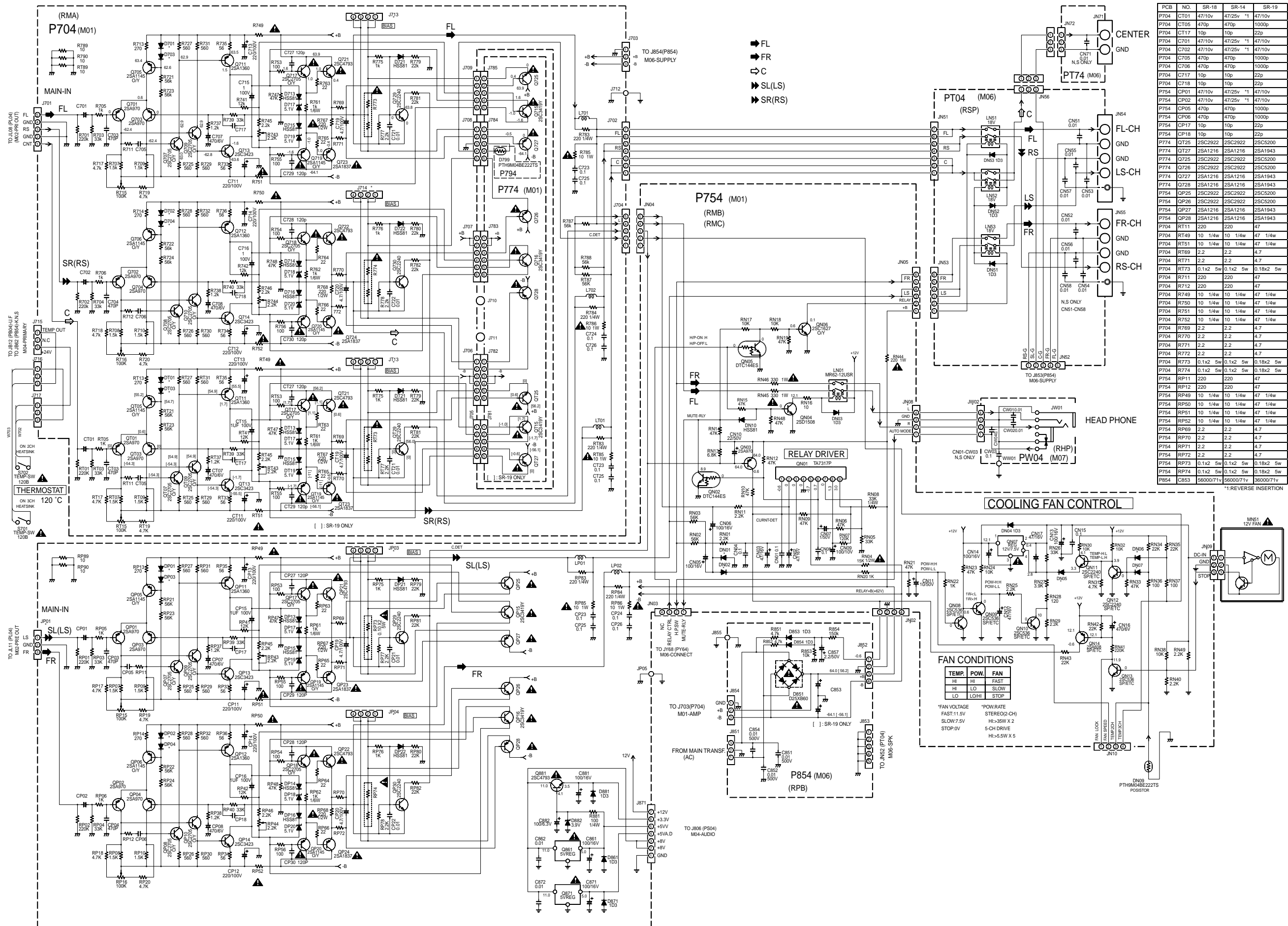


PCB NO.	SR-18	SR-14	SR-19
PS04 RS45	6.8k	6.8k	5.6k
PS04 RS46	6.8k	6.8k	5.6k
PS04 RS47	100k	100k	27k
PS04 RS48	100k	100k	27k
PS04 CS01	47/16v	22/35v	47/16v
PS04 CS02	47/16v	22/35v	47/16v
PS04 CS03	47/16v	22/35v	47/16v
PS04 CS04	47/16v	22/35v	47/16v
PS04 CS05	47/16v	22/35v	47/16v
PS04 CS06	47/16v	22/35v	47/16v
PS04 CS07	47/16v	22/35v	47/16v
PS04 CS08	47/16v	22/35v	47/16v
PS04 CS09	47/16v	22/35v	47/16v
PS04 CS10	47/16v	22/35v	47/16v
PS04 CS13	47/16v	22/35v	47/16v
PS04 CS14	47/16v	22/35v	47/16v
PS04 CS17	47/16v	22/25v	47/16v
PS04 CS18	47/16v	22/25v	47/16v
PS04 CS25	47/16v	22/25v	47/16v
PS04 CS26	47/16v	22/25v	47/16v
PS04 CS27	47/16v	22/25v	47/16v
PS04 CS28	47/16v	22/25v	47/16v



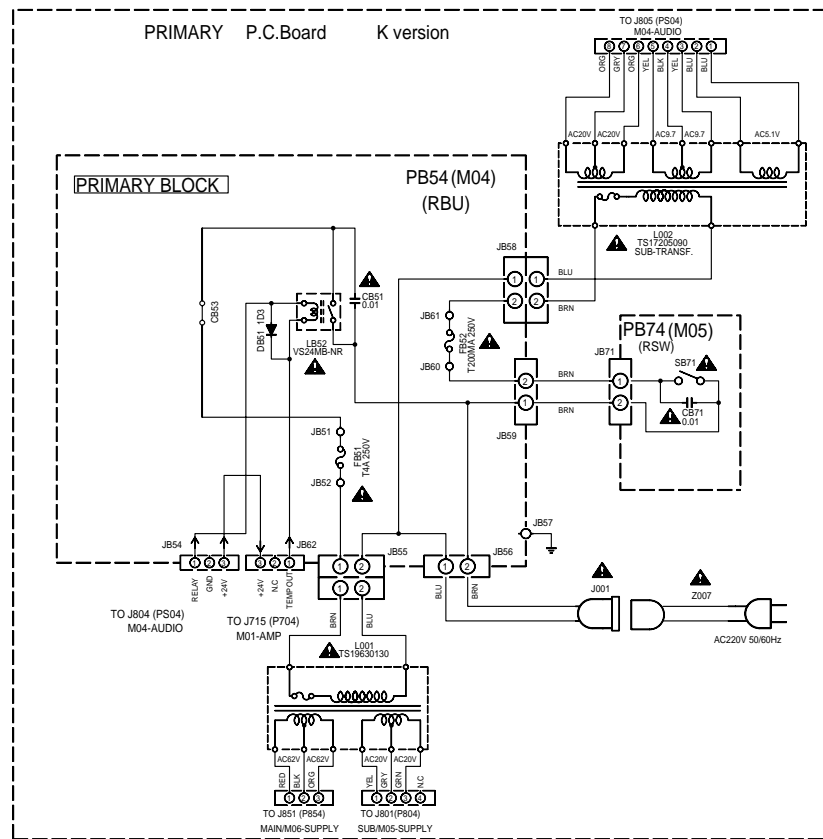
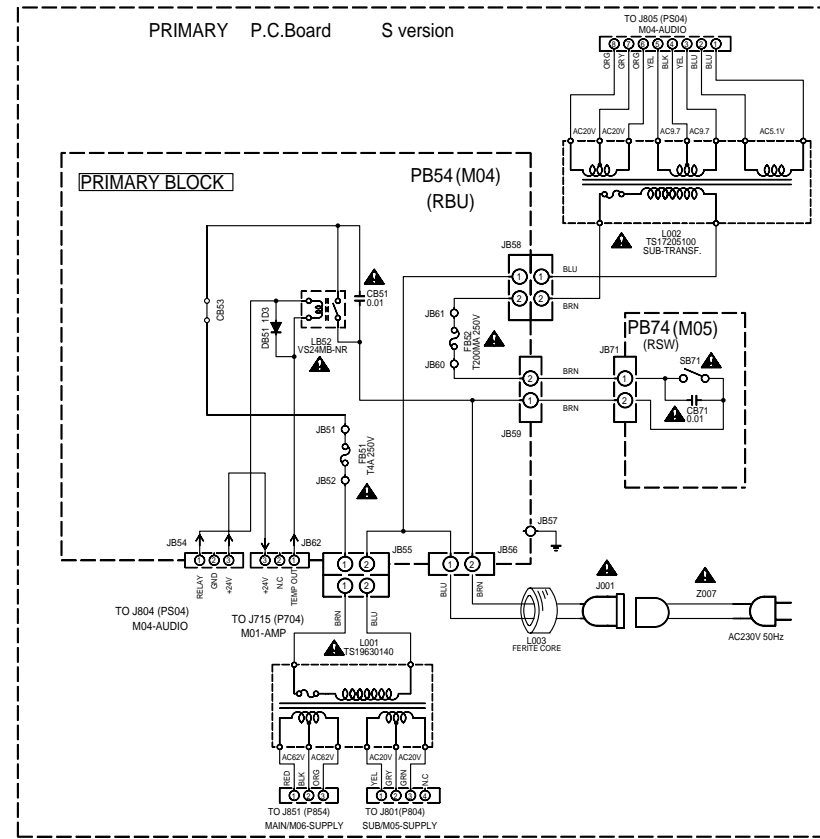
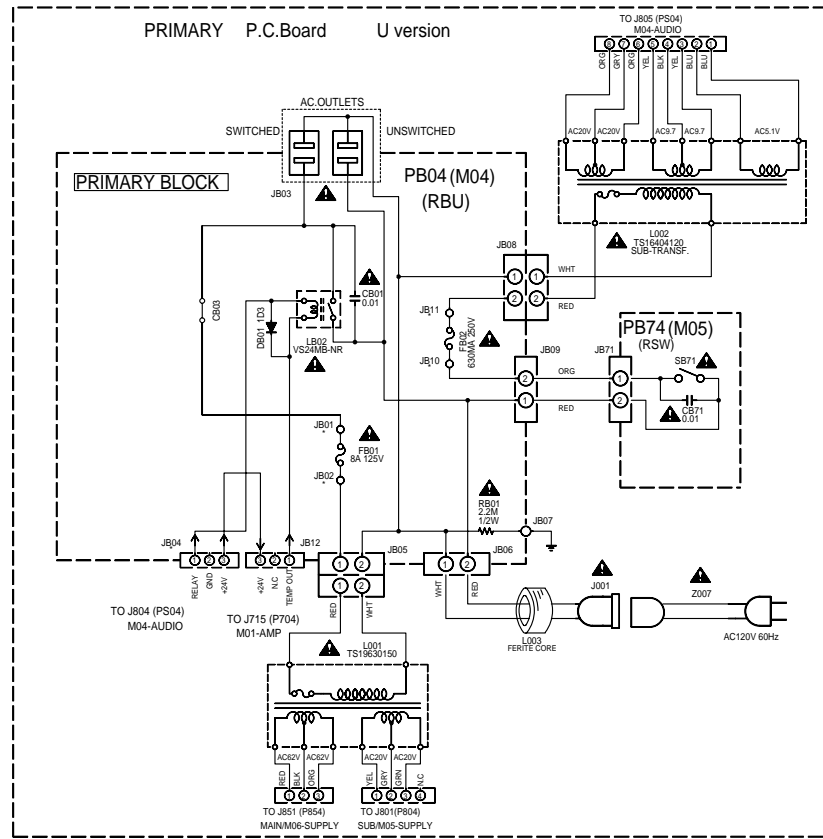
PCB	NO.	SR-18	SR-14	SR-19
P104	CC57	10/50v	10/16v	10/50v
P104	CC58	10/50v	10/16v	10/50v
P104	CC75	1000p	1000p	100p
P104	CC77	22/16v	22/16v	10/16v
P104	CC78	22/16v	22/16v	10/16v
P104	CG51	10/50v	22/25v	10/50v
P104	CG52	10/50v	22/25v	10/50v
P104	CG55	10/50v	22/25v	10/50v
P104	CG56	10/50v	22/25v	10/50v
P104	QC51	NJM2068DD	NJM2114D	NJM2068DD
P104	QC71	NJM2068DD	NJM2068DD	NJM2114D
P104	RC25	1k	1k	2.2k
P104	RC26	1k	1k	2.2k
P104	RC27	3.3k	3.3k	4.7k
P104	RC28	3.3k	3.3k	4.7k
P104	RC29	1k	1k	2.2k
P104	RC30	1k	1k	2.2k
P104	RC31	3.3k	3.3k	4.7k
P104	RC32	3.3k	3.3k	4.7k
P104	RC57	27k	27k	33k
P104	RC58	27k	27k	33k
P104	RC73	220	220	2.2k
P104	RC74	220	220	2.2k
P104	RC75	2.7k	2.7k	22k
P104	RC76	2.7k	2.7k	22k
P104	RC79	220	220	330
P104	RC80	220	220	330
P104	RC81	2.7k	2.7k	33k
P104	RC82	2.7k	2.7k	33k
P104	RF19	3.3k	3.3k	100k
P104	RF20	3.3k	3.3k	100k
P104	RF39	560	560	JUMPER
P104	RF40	560	560	JUMPER
P104	RF41	220	220	330
P104	RF42	220	220	330
PM04	CM21	22/16v	JUMPER	NON
PM04	CM22	22/16v	JUMPER	NON
PM04	CM23	0.01	NON	NON
PM04	CM24	0.01	NON	NON
PM04	CM29	10/50v	47/16v *1	NON
PM04	CM30	10/50v	47/16v *1	NON

*1: REVERSE INSERTION

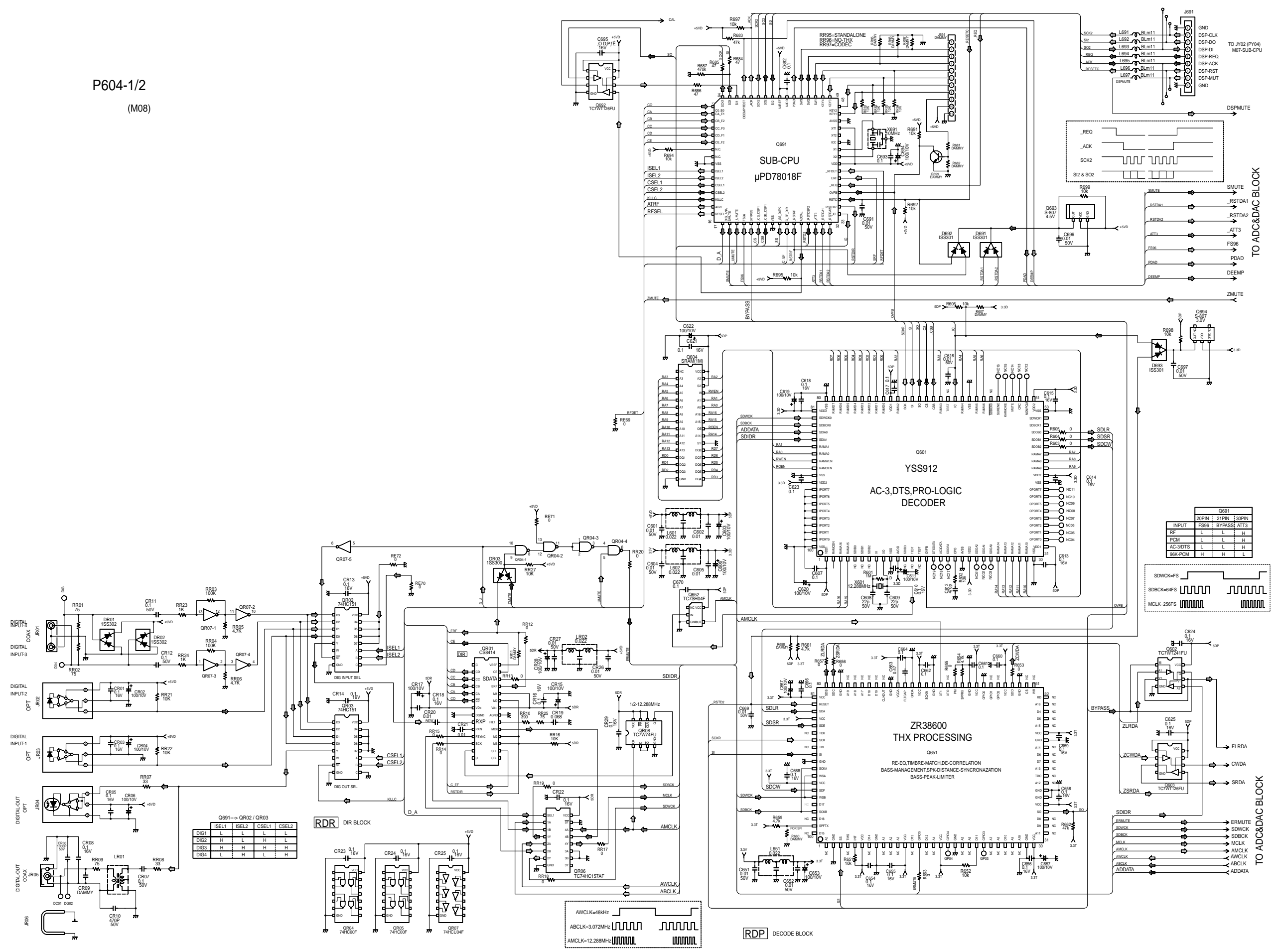


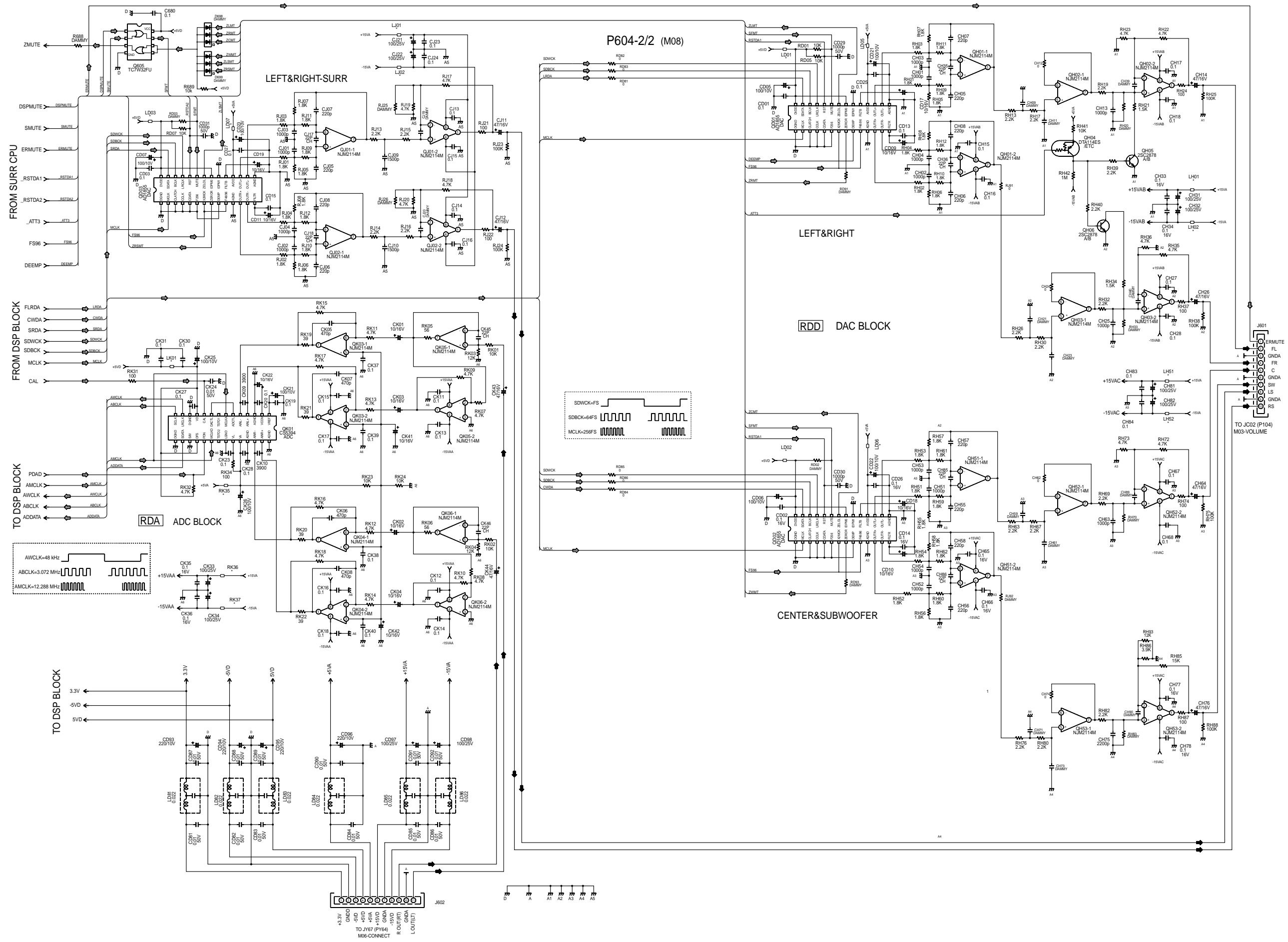
PCB NO.	SR-18	SR-14	SR-19
P704	CT01 47/10v	47/25v *1	47/10v
P704	CT05 470p	470p	1000p
P704	CT17 10p	10p	22p
P704	C701 47/10v	47/25v *1	47/10v
P704	C702 47/10v	47/25v *1	47/10v
P704	C706 470p	470p	1000p
P704	C718 10p	10p	22p
P704	C719 10p	10p	22p
P754	CP01 47/10v	47/25v *1	47/10v
P754	CP02 47/10v	47/25v *1	47/10v
P754	CP05 470p	470p	1000p
P754	CP06 470p	470p	1000p
P754	CP17 10p	10p	22p
P754	CP18 10p	10p	22p
P774	QT25 2SC2922	2SC2922	2SC5200
P774	QT27 2SA1216	2SA1216	2SA1943
P774	QT28 2SC2922	2SC2922	2SC5200
P774	QT29 2SC2922	2SC2922	2SC5200
P774	QT26 2SA1216	2SA1216	2SA1943
P774	QT28 2SA1216	2SA1216	2SA1943
P754	QP25 2SC2922	2SC2922	2SC5200
P754	QP26 2SA1216	2SA1216	2SA1943
P754	QP27 2SA1216	2SA1216	2SA1943
P704	RT11 220	220	47
P704	RT49 10 1/4w	10 1/4w	47 1/4w
P704	RT51 10 1/4w	10 1/4w	47 1/4w
P704	RT69 2.2	2.2	4.7
P704	RT71 2.2	2.2	4.7
P704	RT73 0.1x2 5w	0.1x2 5w	0.18x2 5w
P704	RT74 0.1x2 5w	0.1x2 5w	0.18x2 5w
P704	RT75 10 1/4w	10 1/4w	47 1/4w
P704	RT76 2.2	2.2	4.7
P704	RT77 2.2	2.2	4.7
P704	RT78 2.2	2.2	4.7
P704	RT79 2.2	2.2	4.7
P704	RT81 10 1/4w	10 1/4w	47 1/4w
P704	RT82 2.2	2.2	4.7
P704	RT83 0.1x2 5w	0.1x2 5w	0.18x2 5w
P704	RT84 0.1x2 5w	0.1x2 5w	0.18x2 5w
P754	RP11 220	220	47
P754	RP12 220	220	47
P754	RP49 10 1/4w	10 1/4w	47 1/4w
P754	RP50 10 1/4w	10 1/4w	47 1/4w
P754	RP51 10 1/4w	10 1/4w	47 1/4w
P754	RP52 10 1/4w	10 1/4w	47 1/4w
P754	RP69 2.2	2.2	4.7
P754	RP70 2.2	2.2	4.7
P754	RP71 2.2	2.2	4.7
P754	RP72 2.2	2.2	4.7
P754	RP73 0.1x2 5w	0.1x2 5w	0.18x2 5w
P754	RP74 0.1x2 5w	0.1x2 5w	0.18x2 5w
P854	CS53 56000/71v	56000/71v	36000/71v

*1: REVERSE INSERTION

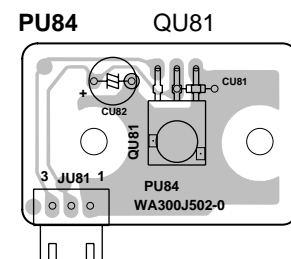
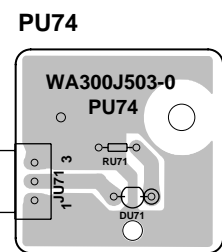
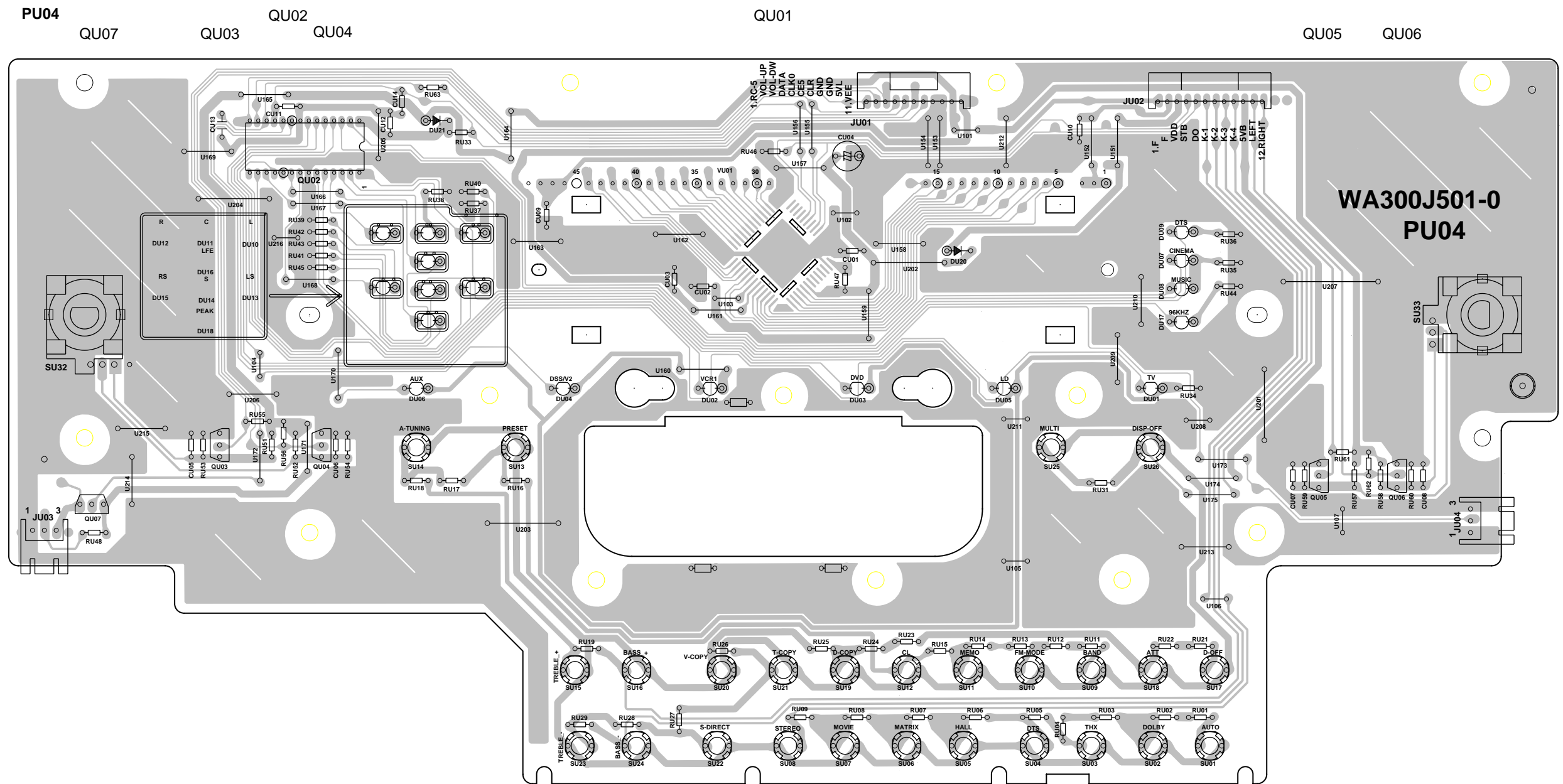


P604-1/2
(M08)



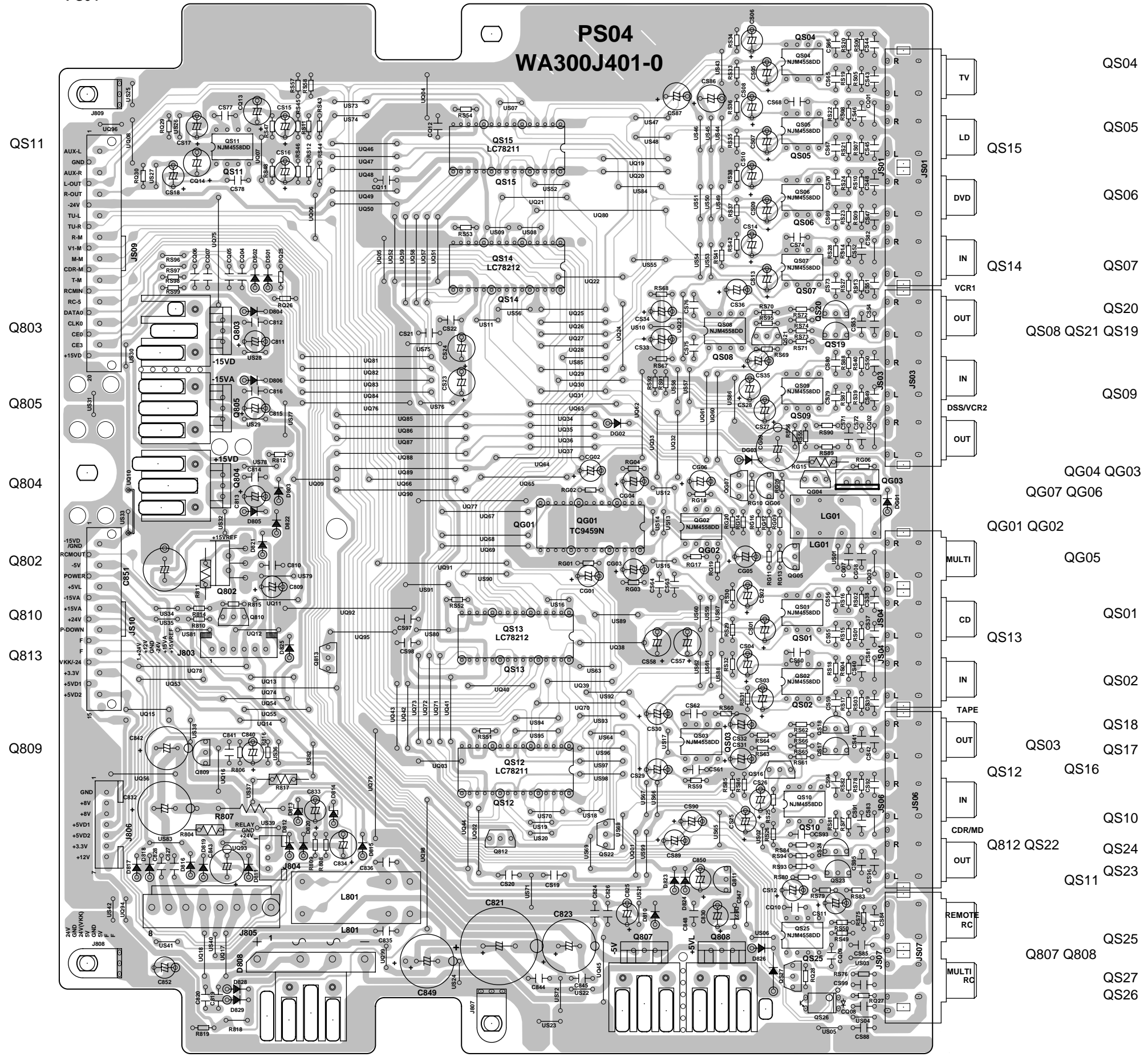


5. PARTS LOCATION (Pattern Side)



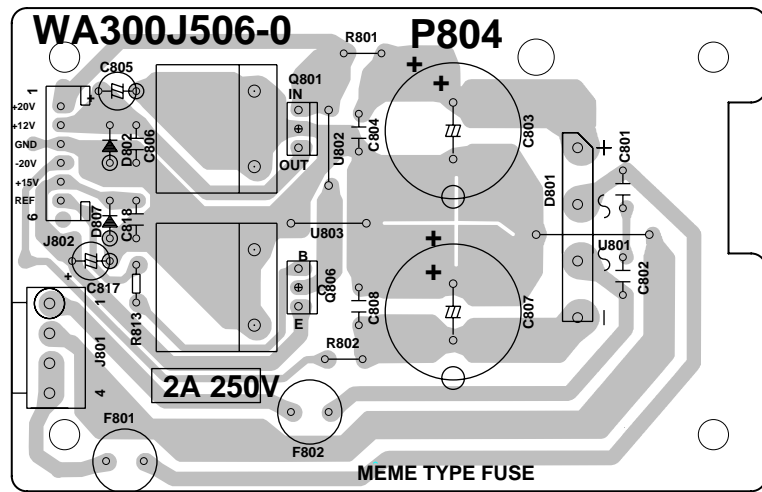
PS04

PS04
WA300J401-0

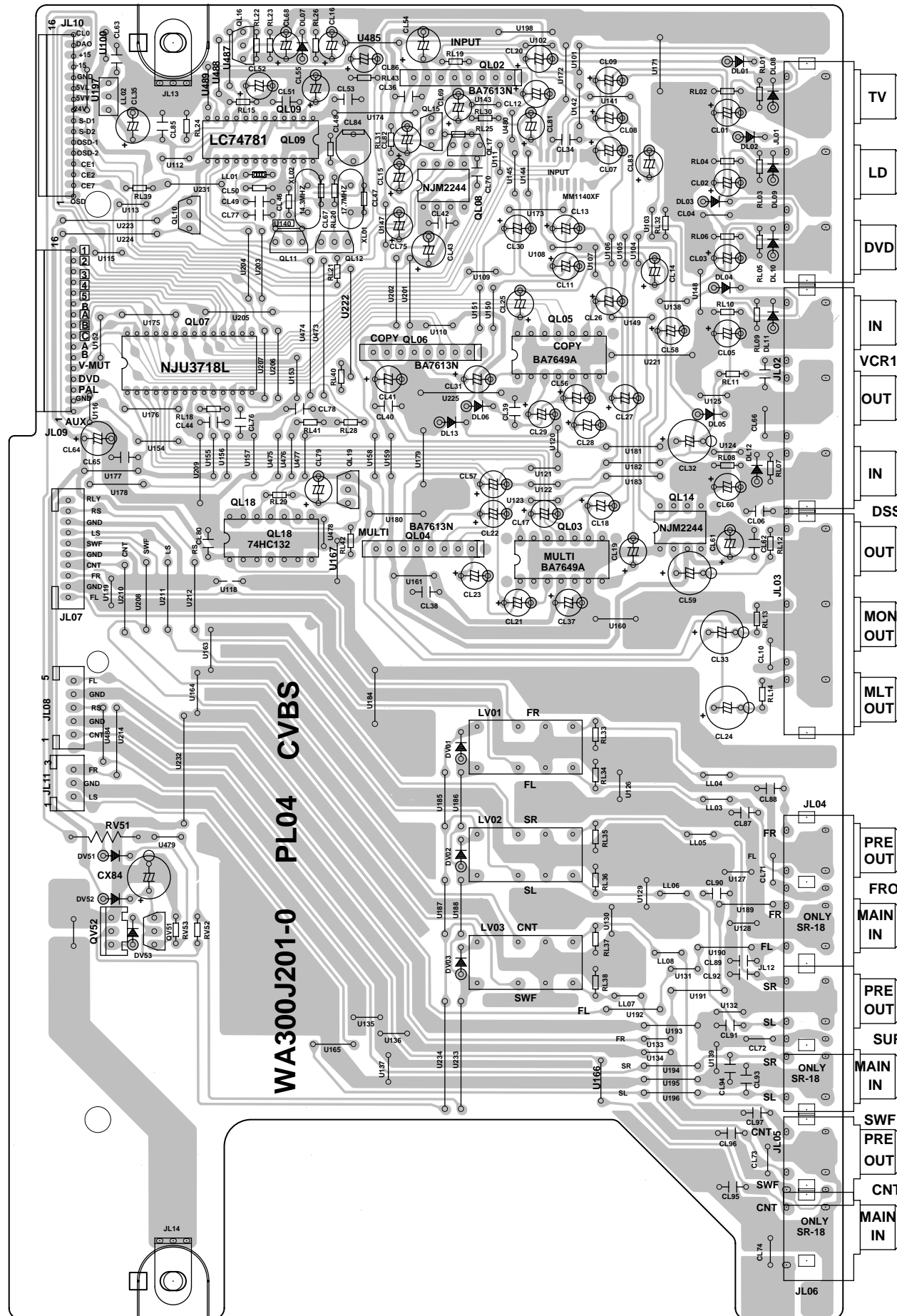


P804

Q801
Q806



PL04



QL16
QL02
QL09 QL15 QL17

QL08
QL10
QL11 QL12

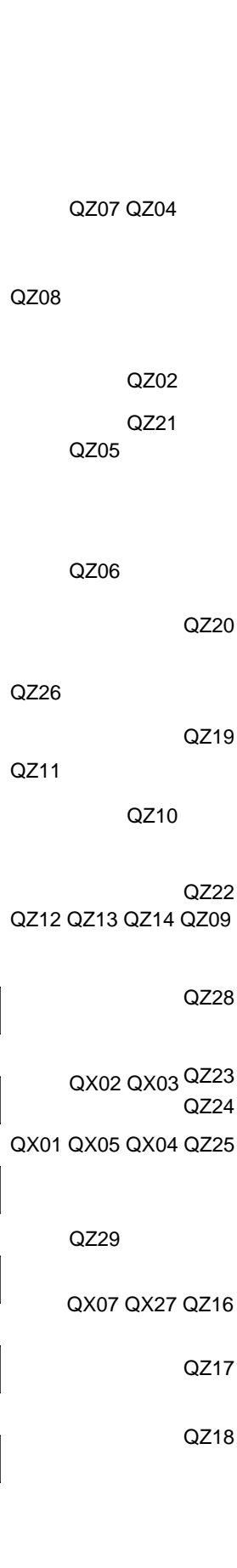
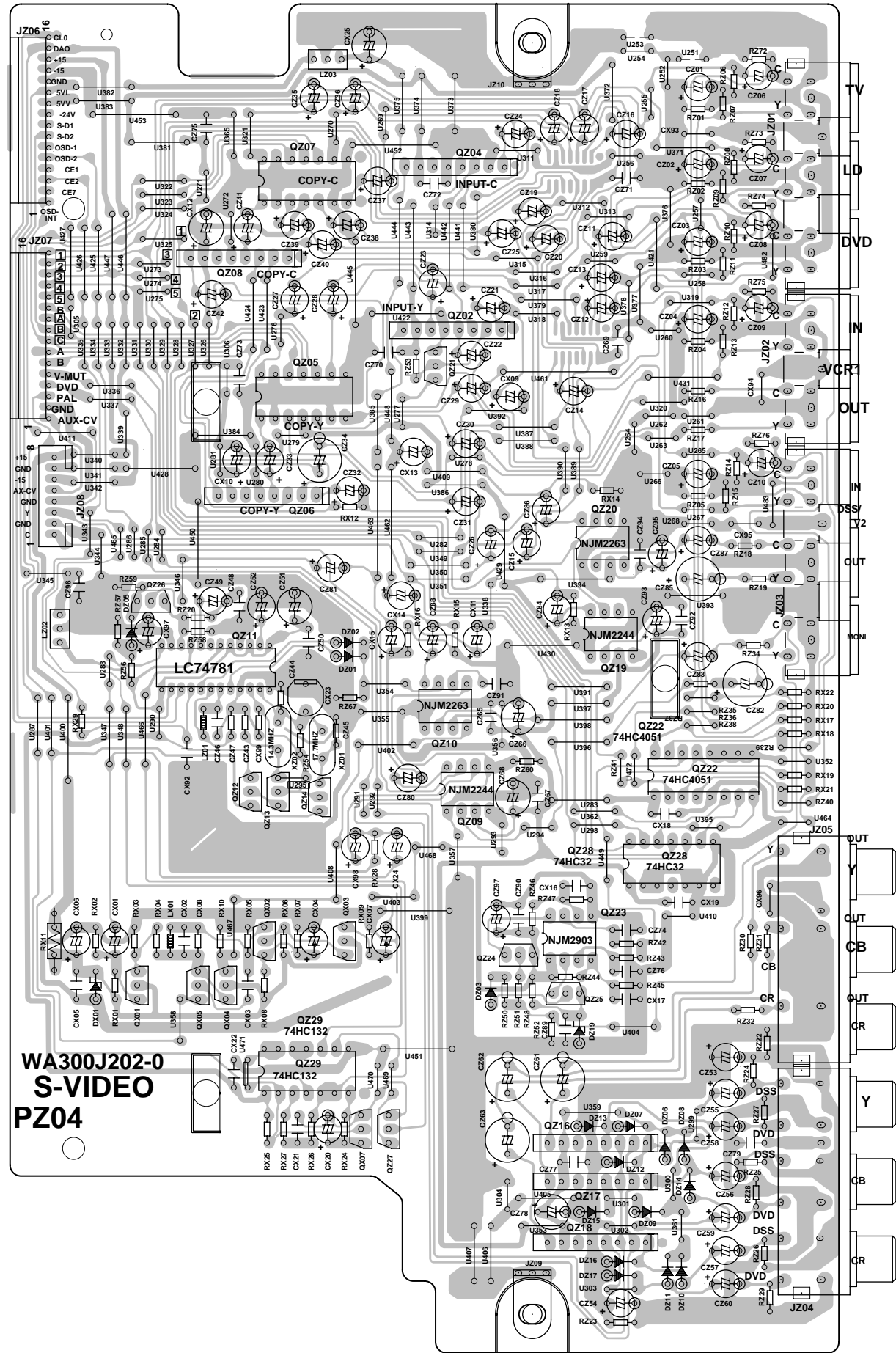
QL07 QL06 QL05

QL19
QL18 QL04 QL03

QL14

- TV
- LD
- DVD
- IN
- VCR1
- OUT
- IN
- DSS
- OUT
- MON OUT
- MLT OUT
- PRE OUT
- FRONT
- MAIN IN
- PRE OUT
- SURR
- MAIN IN
- SWF
- PRE OUT
- CNT
- MAIN IN

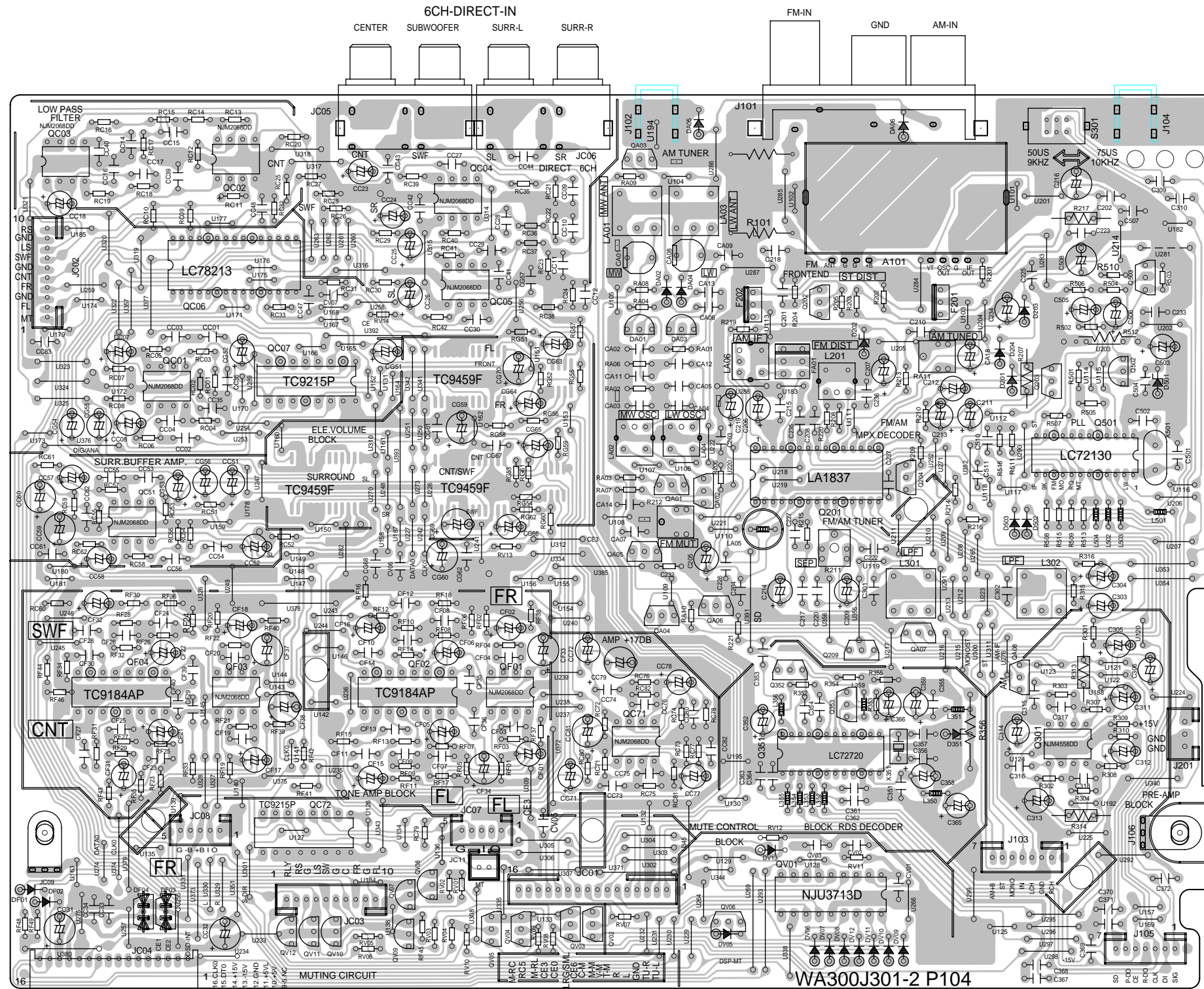
QV52 QV51



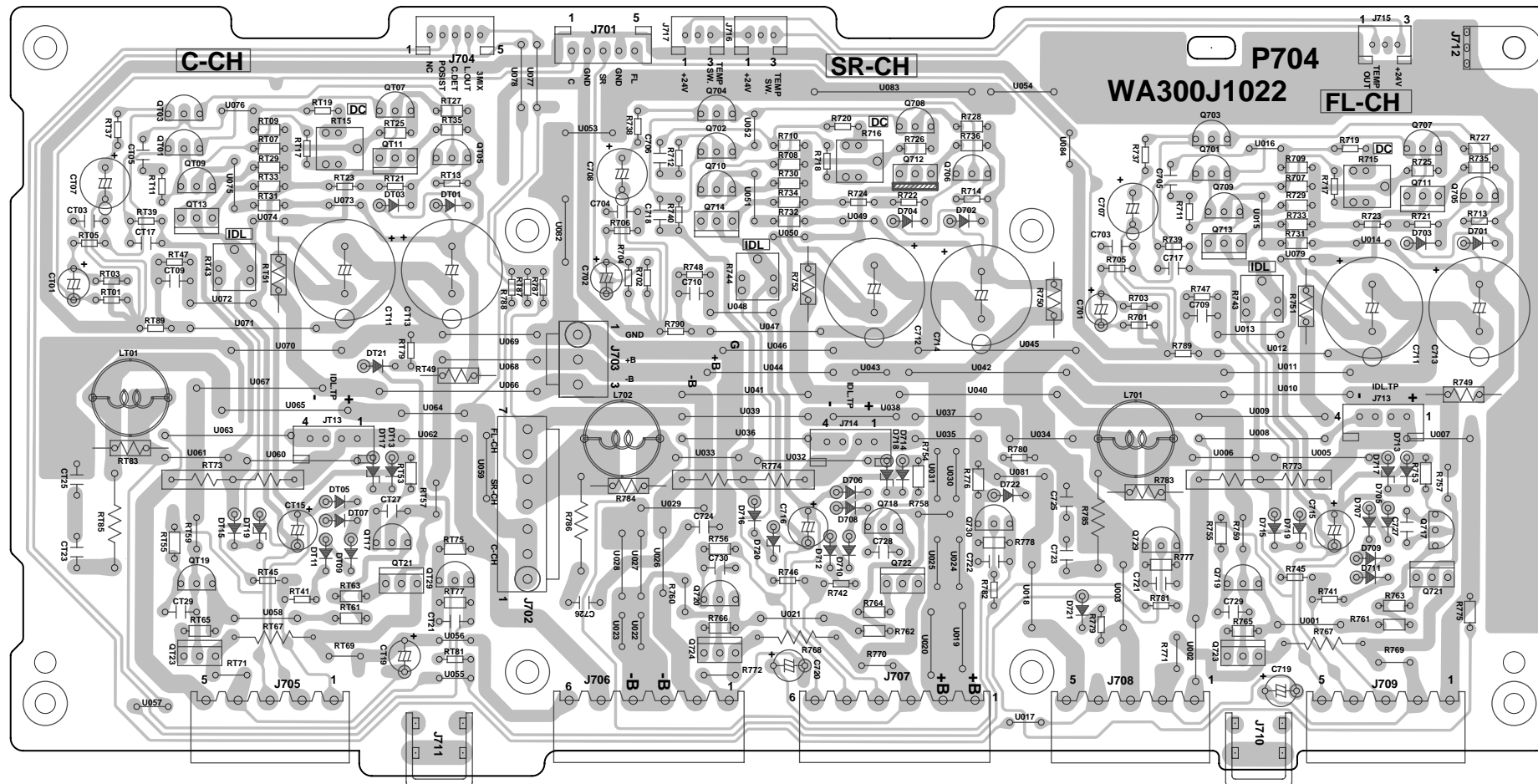
WA300J202-0
S-VIDEO
PZ04

P104

QC03		QC02		QC04		QA03		Q202		Q503
	QC01	QC06	QC07	QC05	QG51		Q201	Q204	Q203	Q502
QC51		QG53		QF02	QG52	QF01	QA05	QA01	QA02	Q501
QF04	QF03	QC72	QV07	QV08			QC71	QA04	QA06	Q301
	QV12	QV11	QV10	QV09	QV05	QV04	QV03	QV02		

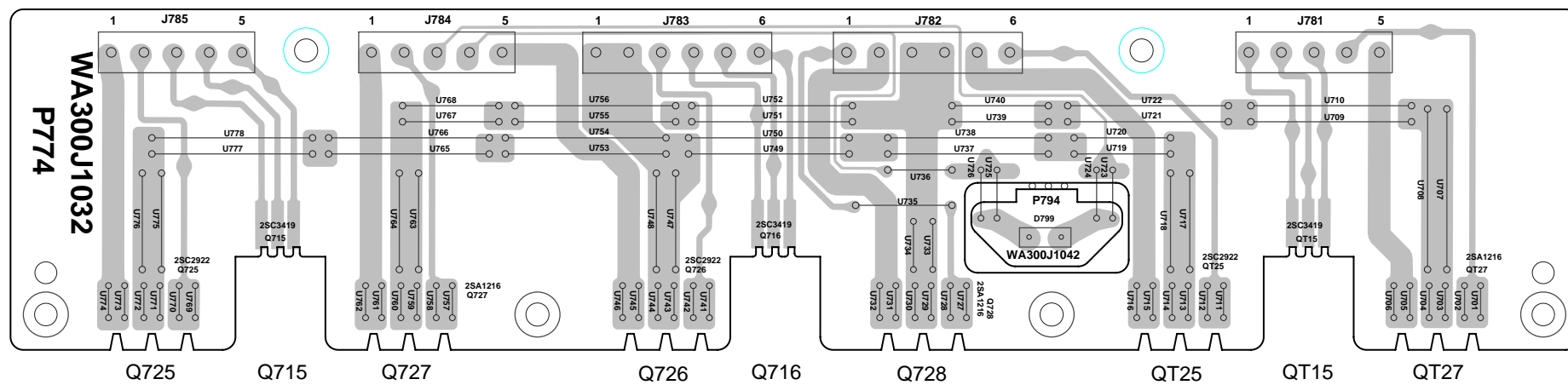


P704 QT03 QT01 QT07 Q704 Q702 Q708 Q703 Q701 Q707
 QT09 QT13 QT11 QT05 Q710 Q714 Q712 Q706 Q709 Q713 Q711 Q705
 QT19 QT23 QT17 QT21 QT29 Q720 Q724 Q718 Q722 Q730 Q728 Q719 Q717 Q721

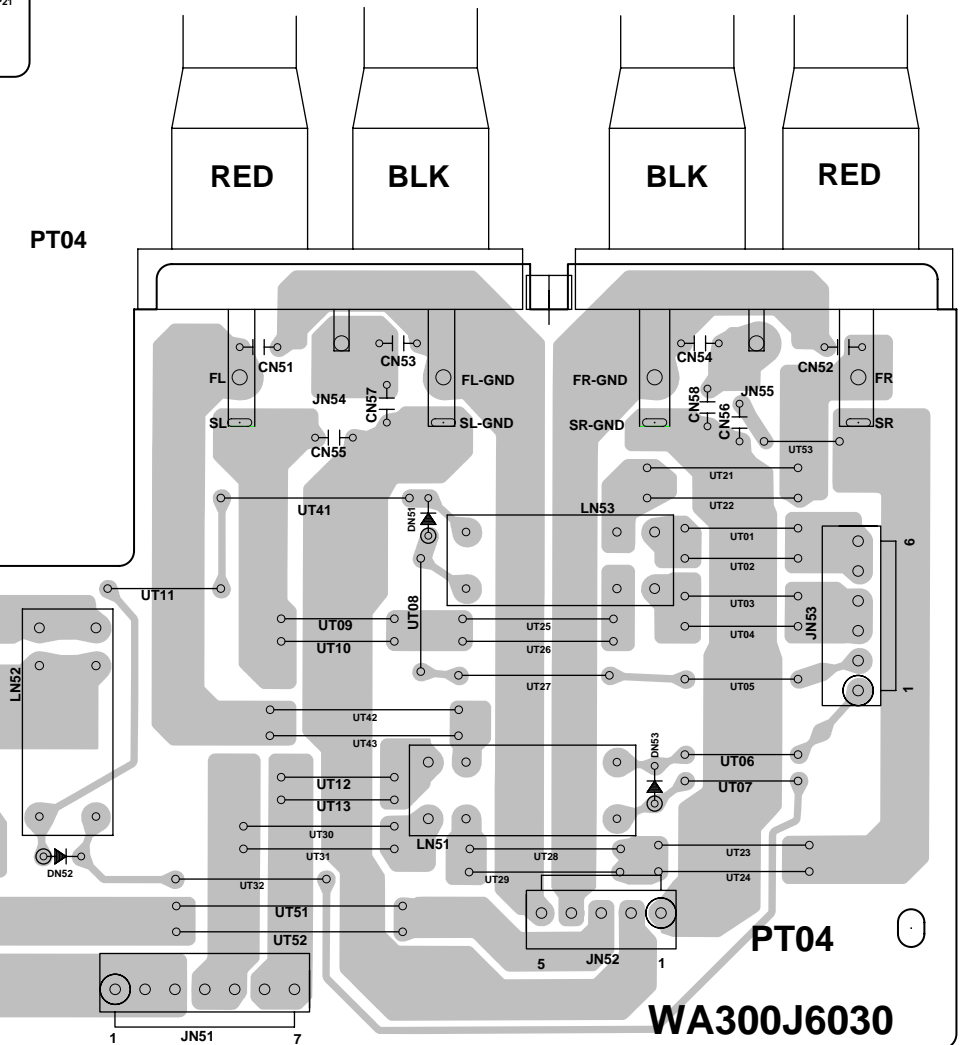
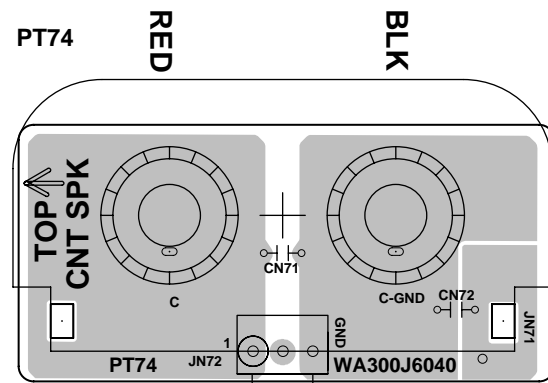
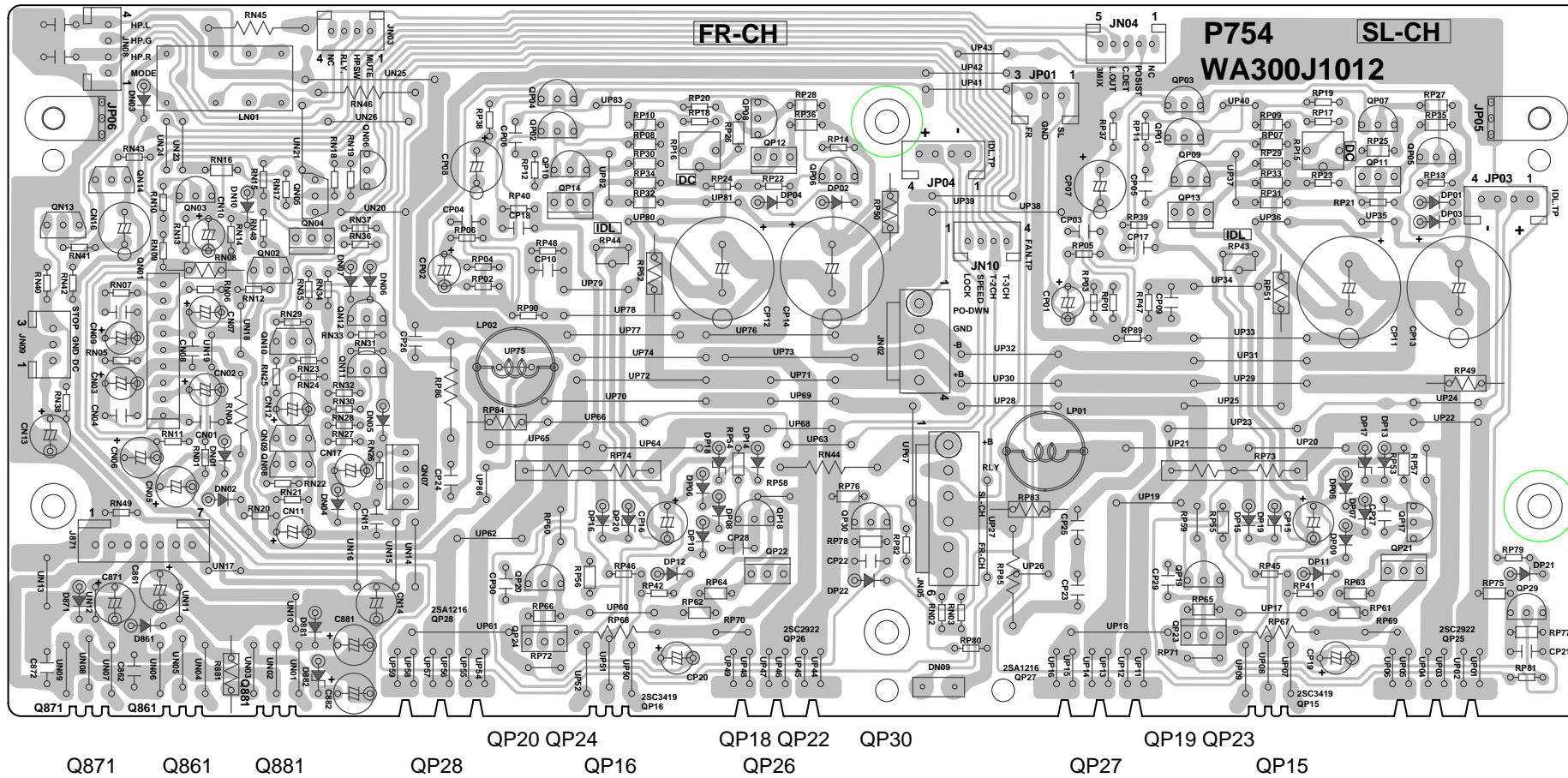


P774

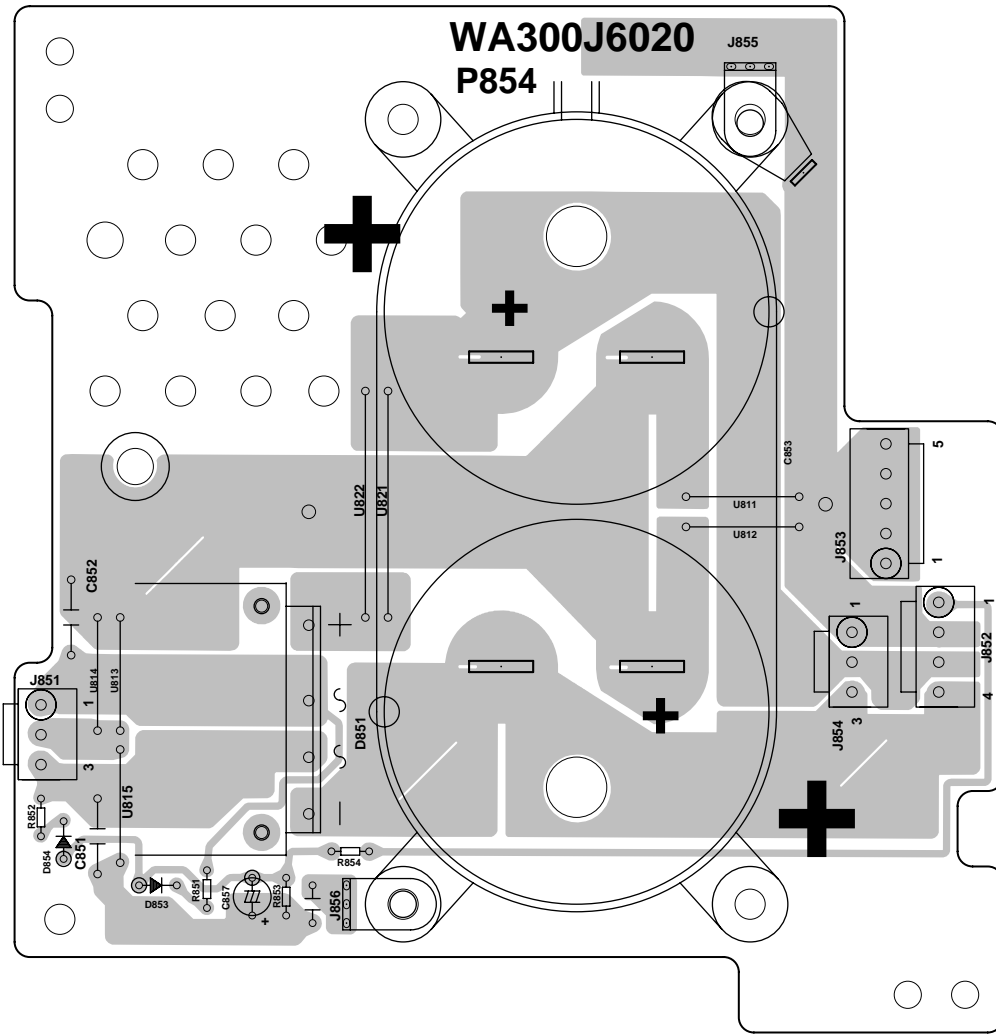
P794



P754 QN14 QN05 QN04 QN06 QP04 QP02 QP08 QP03 QP01 QP07
 QN13 QN03 QN02 QN10 QN12 QN11 QP10 QP14 QP12 QP06 QP09 QP13 QP11 QP05

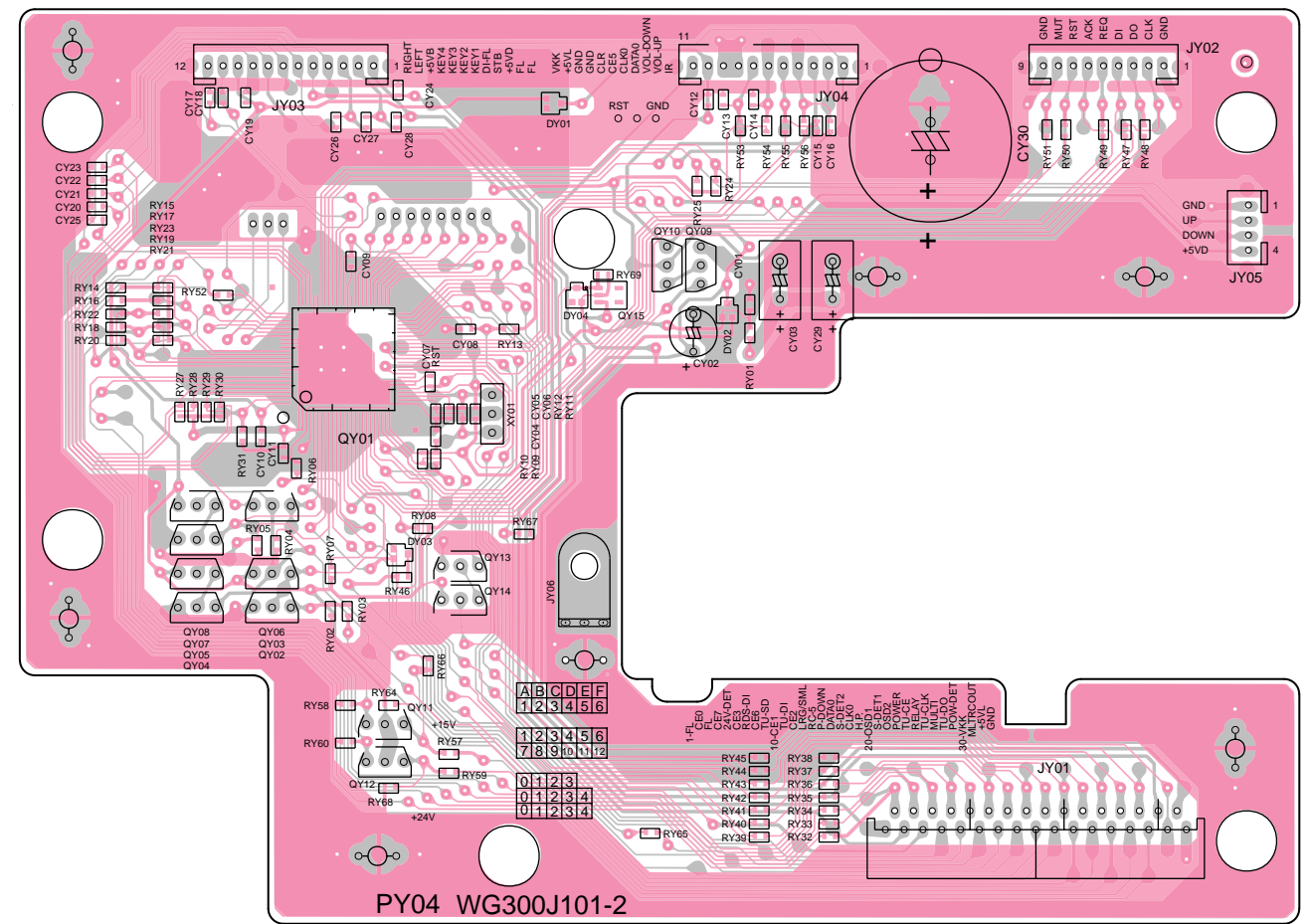


P854



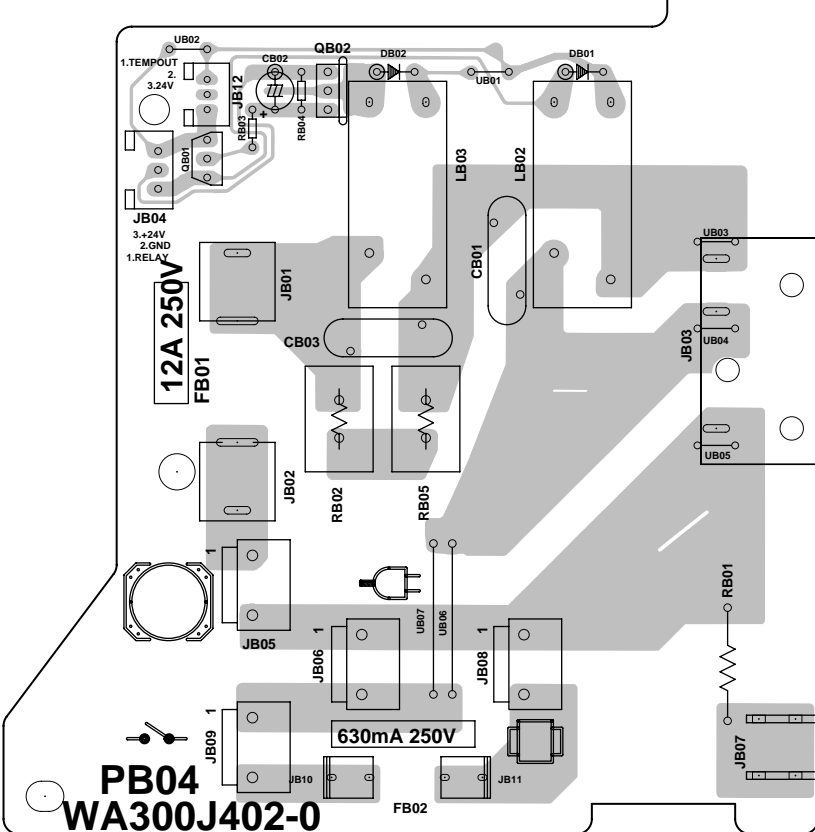
PY04

QY01 QY02 - QY08 QY11 QY12 QY13 QY14 QY15 QY10 QY09



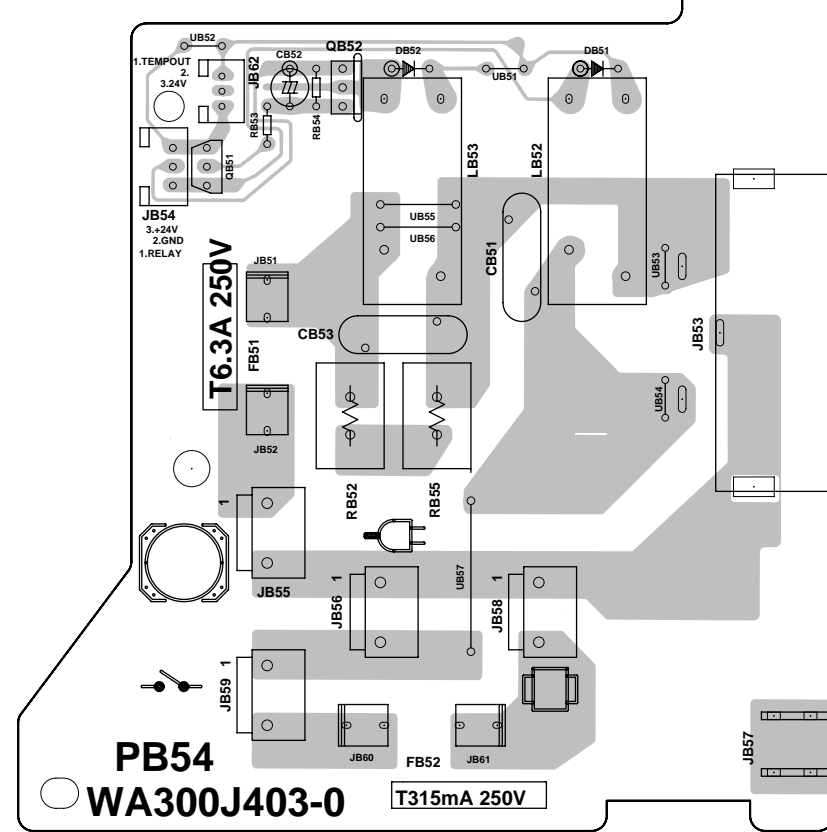
PB04

QB01 QB02

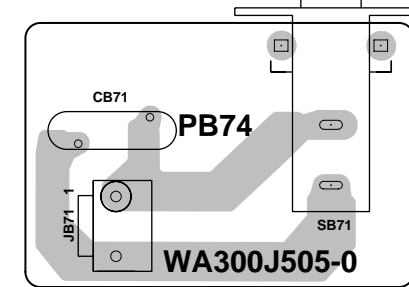


PB54

QB51 QB52

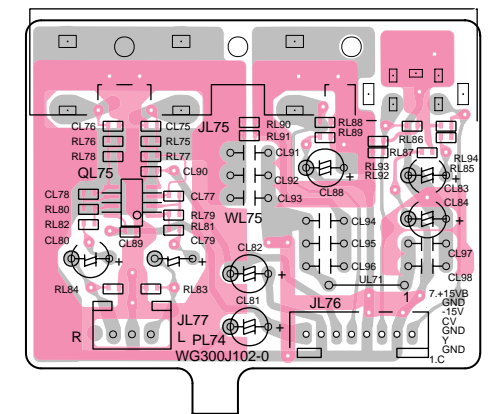


PB74

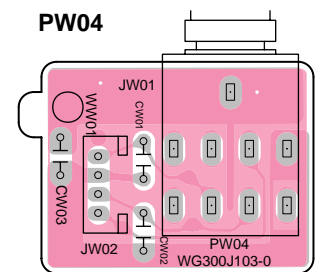


PL74

QL75



PW04



P604

QK05
QK03
QK01

QK06
QK04

QJ01

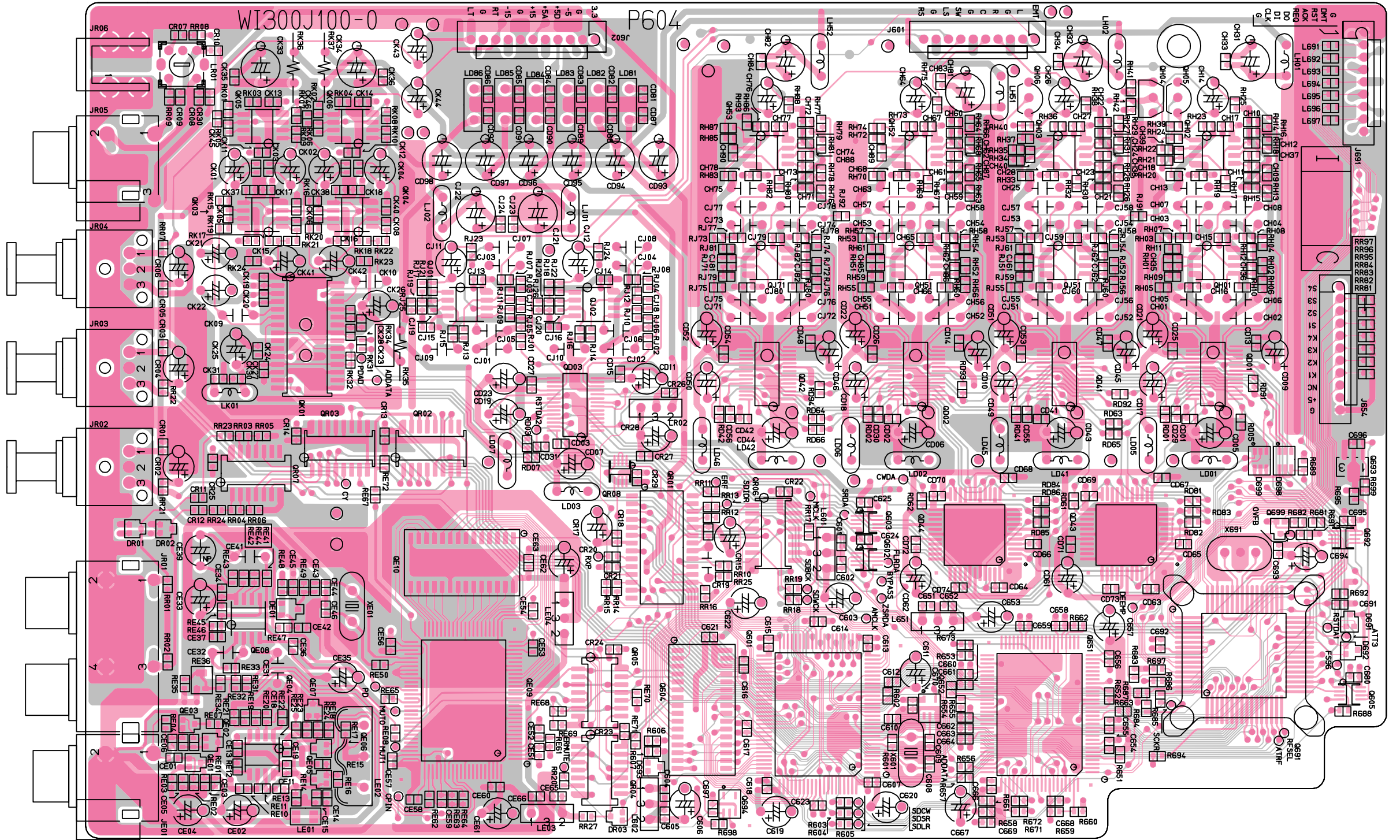
QJ02
QD03

QH53
QJ71
QD42

QH52
QH51
QD02

QH06 QH03
QJ51
QD41

QH04 QH05 QH02
QH01
QD01



QR07 QR03
QE01 - QE04 - QE07
QE08 QE01
QE10
QE09

QR02
QR05
QR04

QR08 QR01
Q604
Q694

QR06
Q601
Q602
Q652

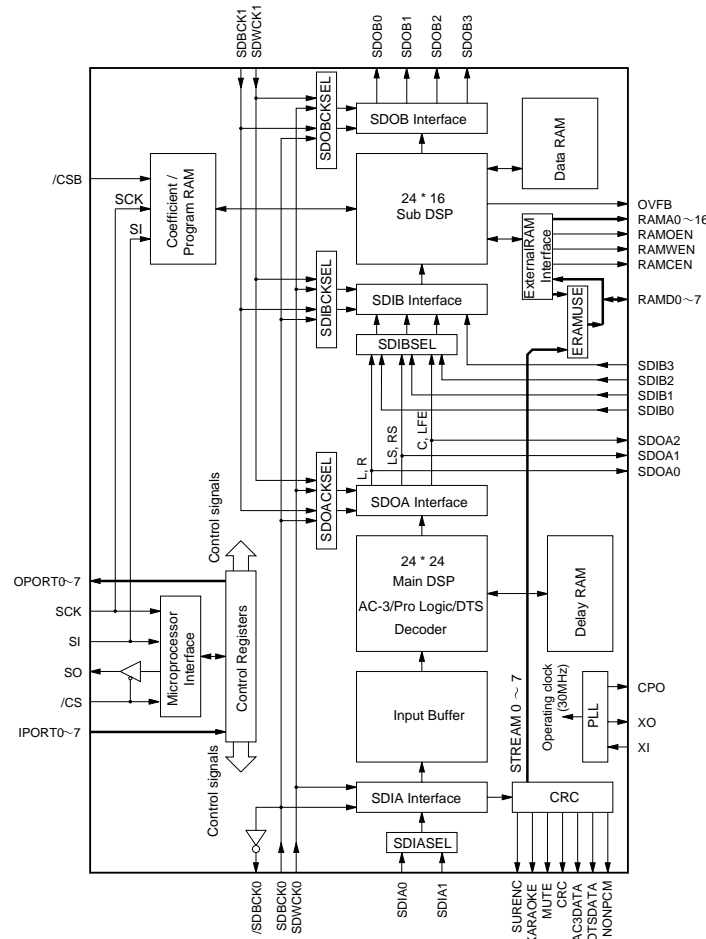
QD04
Q651

QD43
Q691

Q966
Q692
Q605

6. IC DATA

Q601:YSS912

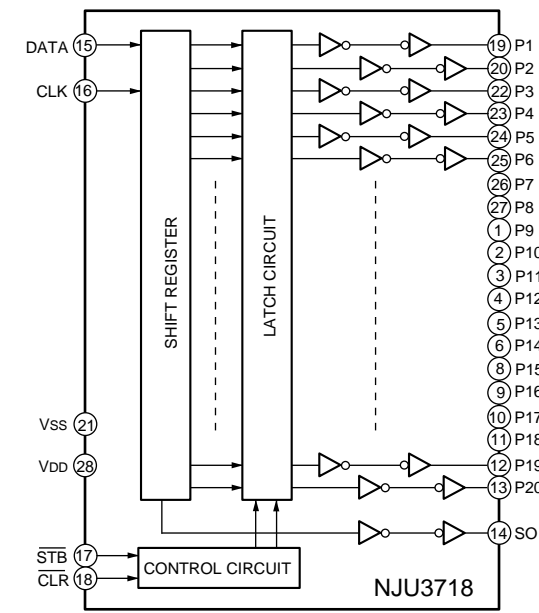


No.	NAME	I/O	FUNCTION
1	VDD1	-	+5V power supply (for I/Os)
2	RAMCEN	O	External SRAM Interface /CE
3	RAMA16	O	External SRAM Interface address 16
4	RAMA15	O	External SRAM Interface address 15
5	SDIB0	I+	PCM input 0 to Sub DSP
6	SDIB1	I+	PCM input 1 to Sub DSP
7	SDIB2	I+	PCM input 2 to Sub DSP
8	XI	I	Crystal oscillator connection or input external clock (12.288 MHz)
9	XO	O	Crystal oscillator connection
10	VSS	-	Ground
11	AVDD	-	+3.3V power supply (for PLL circuit)
12	SDIB3	I+	PCM input 3 to Sub DSP
13	TEST	O	Test terminal (to be open in normal use)
14	TEST	O	Test terminal (to be open in normal use)
15	OVFB	O	Detection of overflow at Sub DSP
16	DTSDATA	O	DTS data detection (Refer to "Status Register")
17	AC3DATA	O	AC-3 data detection (Refer to "Status Register")
18	SDOB3	O	PCM output from Sub DSP
19	CPO	A	Output terminal for PLL, to be connected to ground through the external analog filter circuit. (Refer to "External Circuit for PLL")
20	AVSS	-	Ground (for PLL circuit)
21	VDD2	-	+3.3V power supply (for core logic)
22	SDOA2	O	PCM output from Main DSP (C, LFE)
23	SDOA1	O	PCM output from Main DSP (LS, RS)
24	SDOA0	O	PCM output from Main DSP (L, R)
25	RAMA14	O	External SRAM Interface address 14
26	RAMA13	O	External SRAM Interface address 13
27	RAMA12	O	External SRAM Interface address 12
28	RAMA11	O	External SRAM Interface address 11
29	RAMA10	O	External SRAM Interface address 10
30	VSS	-	Ground
31	VDD1	-	+5V power supply (for I/Os)
32	OPORT0	O	Output port for general purpose. (Refer to "OPORT Register")
33	OPORT1	O	Output port for general purpose. (Refer to "OPORT Register")
34	OPORT2	O	Output port for general purpose. (Refer to "OPORT Register")
35	OPORT3	O	Output port for general purpose. (Refer to "OPORT Register")
36	OPORT4	O	Output port for general purpose. (Refer to "OPORT Register")
37	OPORT5	O	Output port for general purpose. (Refer to "OPORT Register")
38	OPORT6	O	Output port for general purpose. (Refer to "OPORT Register")
39	OPORT7	O	Output port for general purpose. (Refer to "OPORT Register")
40	VSS	-	Ground
41	VDD2	-	+3.3V power supply (for core logic)
42	RAMA9	O	External SRAM interface address 9
43	RAMA8	O	External SRAM interface address 8
44	RAMA7	O	External SRAM interface address 7
45	SDOB2	O	PCM output from Sub DSP
46	SDOB1	O	PCM output from Sub DSP
47	SDOB0	O	PCM output from Sub DSP
48	SDBCK1	I+	Bit clock input for SDOA, SDIB, SDOB. (Refer to "SDOA, SDIB, SDOB Register")
49	SDWCK1	I+	Word clock input for SDOA, SDIB, SDOB. (Refer to "SDOA, SDIB, SDOB Register")
50	VSS	-	Ground

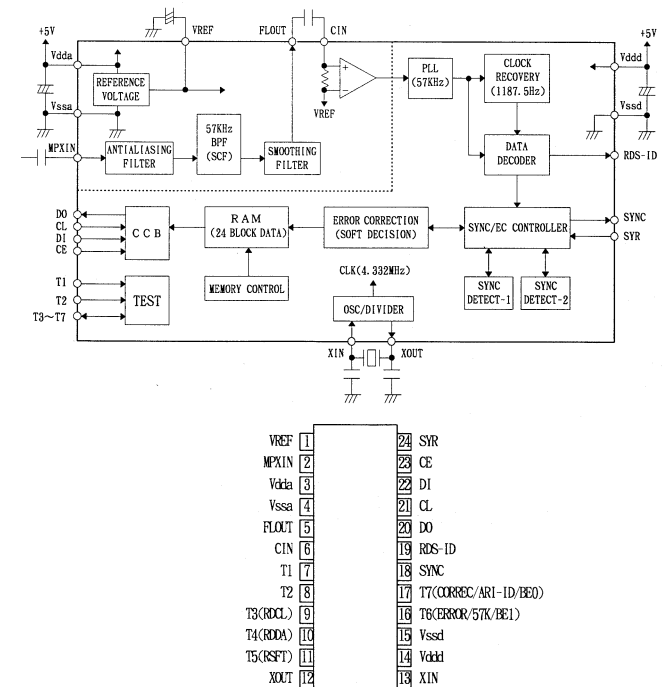
No.	NAME	I/O	FUNCTION
51	VDD2	-	+3.3V power supply (for core logic)
52	NONPCM	O	Detection of non PCM data. (Refer to "Status Register")
53	CRC	O	Detection of AC-3 CRC error. (Refer to "Status Register")
54	MUTE	O	Detection of auto-mute. (Refer to "Status Register")
55	KARAOKE	O	Detection of AC-3 karaoke data. (Refer to "Status Register")
56	SURENC	O	Detection of AC-3 2/0 mode Dolby surround encoded input (Refer to "Status Register")
57	/SDBCK0	O	Inverted SDBCK0 clock output (refer to "Block diagram")
58	RAMA6	O	External SRAM Interface address 6
59	RAMA5	O	External SRAM Interface address 5
60	VSS	-	Ground
61	RAMA4	O	External SRAM Interface address 4
62	/IC	Is	Initial clear
63	TEST	O	Test terminal (to be open in normal use)
64	RAMA3	O	External SRAM Interface address 3
65	/CSB	Is+	Sub DSP Chip select
66	/CS	Is	Microprocessor interface Chip select
67	SO	Ot	Microprocessor interface Serial data output
68	SI	Is	Microprocessor interface/Sub DSP Serial data input
69	SCK	Is	Microprocessor interface/Sub DSP clock input
70	RAMA2	O	External SRAM Interface address 2
71	VDD1	-	+5V power supply (for I/Os)
72	RAMD0	I/O	External SRAM Interface data (STREAM 0 output when External SRAM is not in use)
73	RAMD1	I/O	External SRAM Interface data (STREAM 1 output when External SRAM is not in use)
74	RAMD2	I/O	External SRAM Interface data (STREAM 2 output when External SRAM is not in use)
75	RAMD3	I/O	External SRAM Interface data (STREAM 3 output when External SRAM is not in use)
76	RAMD4	I/O	External SRAM Interface data (STREAM 4 output when External SRAM is not in use)
77	RAMD5	I/O	External SRAM Interface data (STREAM 5 output when External SRAM is not in use)
78	RAMD6	I/O	External SRAM Interface data (STREAM 6 output when External SRAM is not in use)
79	RAMD7	I/O	External SRAM Interface data (STREAM 7 output when External SRAM is not in use)
80	VSS	-	Ground
81	VDD2	-	+3.3V power supply (for core logic)
82	SDWCK0	I	Word clock input for SDIA, SDOA, SDIB, SDOB (Refer to "SDIA, SDOA, SDIB, SDOB Register")
83	SDBCK0	I	Bit clock input for SDIA SDOA SDIB SDOB (Refer to "SDIA, SDOA, SDIB, SDOB Register")
84	SDIA0	I	AC-3/DTS bitstream (or PCM) data input for Main DSP (Refer to "SDIA Register")
85	SDIA1	I	AC-3/DTS bitstream (or PCM) data input for Main DSP (Refer to "SDIA Register")
86	RAMA1	O	External SRAM Interface address 1
87	RAMA0	O	External SRAM Interface address 0
88	RAMWEN	O	External SRAM Interface /WE
89	RAMOEN	O	External SRAM Interface /OE
90	VSS	-	Ground
91	VDD2	-	+3.3V power supply (for core logic)
92	IPORT7	I+	Input port for general purpose (Refer to "IPORT Register")
93	IPORT6	I+	Input port for general purpose (Refer to "IPORT Register")
94	IPORT5	I+	Input port for general purpose (Refer to "IPORT Register")
95	IPORT4	I+	Input port for general purpose (Refer to "IPORT Register")
96	IPORT3	I+	Input port for general purpose (Refer to "IPORT Register")
97	IPORT2	I+	Input port for general purpose (Refer to "IPORT Register")
98	IPORT1	I+	Input port for general purpose (Refer to "IPORT Register")
99	IPORT0	I+	Input port for general purpose (Refer to "IPORT Register")
100	VSS	-	Ground

Note) Is : Schmidt trigger input terminal
 I+ : Input terminal with a pull-up resistor
 O : Digital output terminal
 Ot : Tri-state digital output terminal
 A : Analog terminal

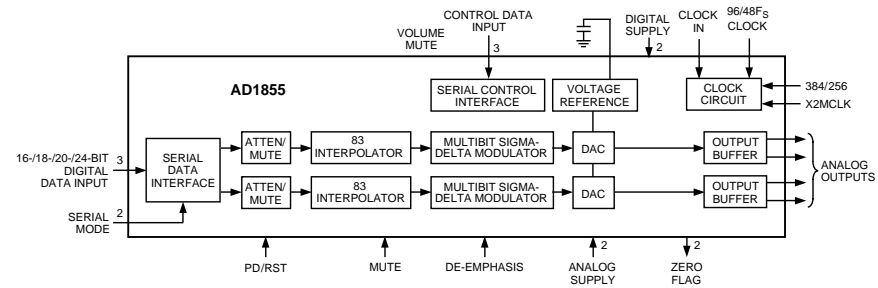
QL07/QU02:NJU3718



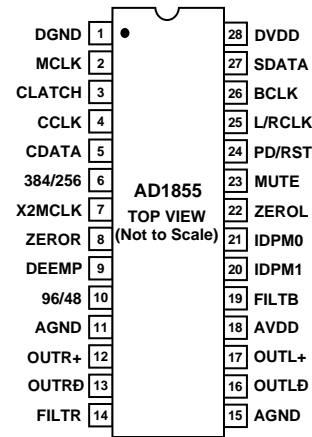
Q351:LC72720



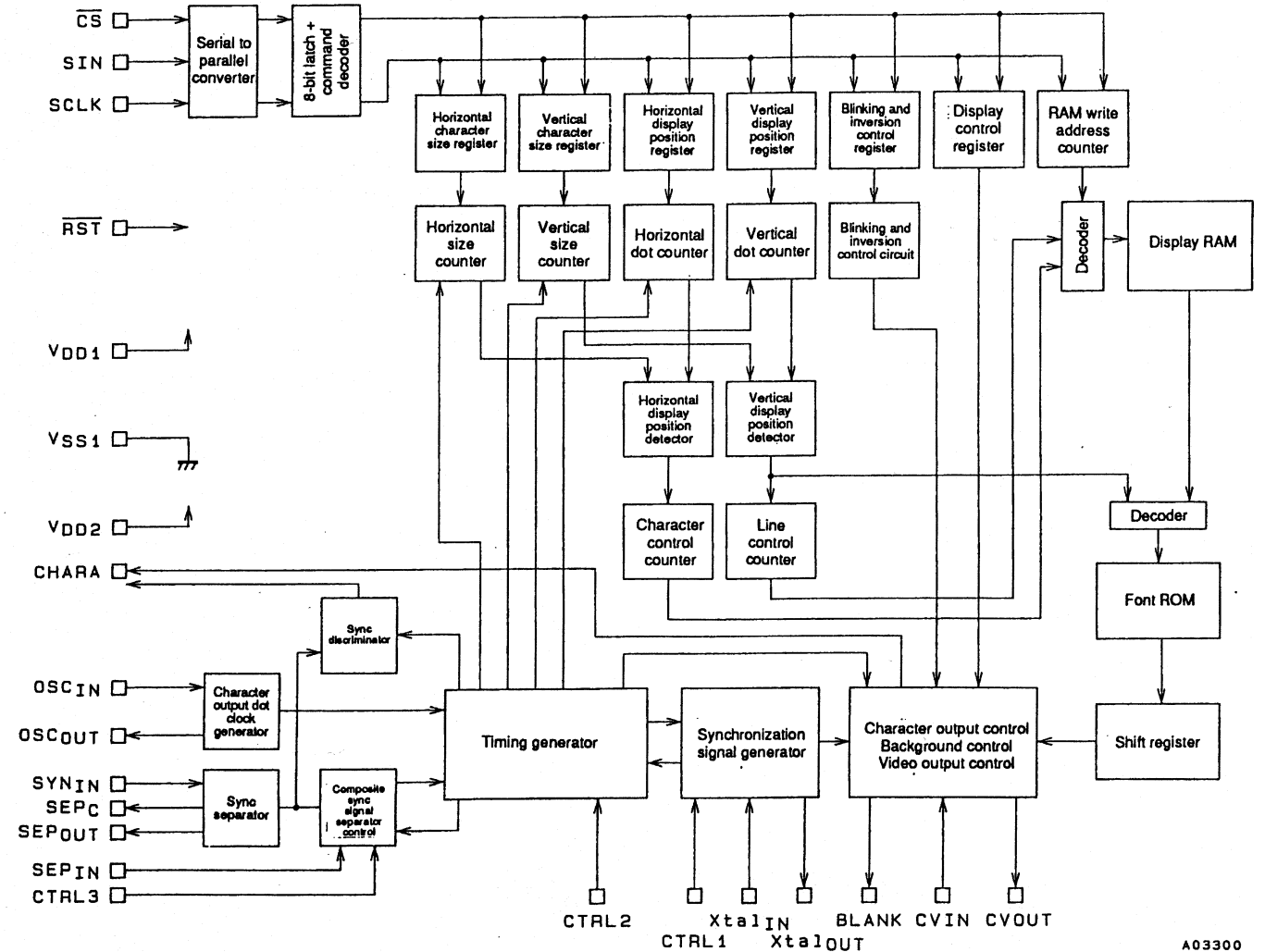
QD01/QD02/QD03:AD1855



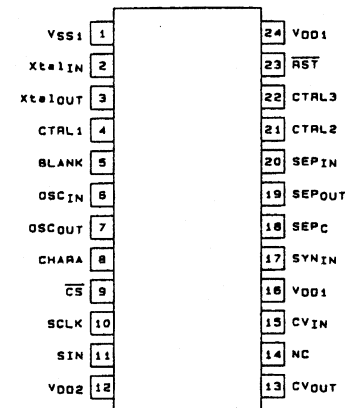
Pin	Input/Output	Pin Name	Description
1	I	DGND	Digital Ground.
2	I	MCLK	Master Clock Input. Connect to an external clock source at either 256, 384 or 512 Fs.
3	I	CLATCH	Latch input for control data. This input is rising-edge sensitive.
4	I	CCLK	Control clock input for control data. Control input data must be valid on the rising edge of CCLK. CCLK may be continuous or gated.
5	I	CDATA	Serial control input, MSB first, containing 16 bits of unsigned data per channel. Used for specifying channel specific attenuation and mute.
6	I	384/256	Selects the master clock mode as either 384 times the intended sample frequency (HI) or 256 times the intended sample frequency (LO). The state of this input should be hardwired to logic HI or logic LO, or may be changed while the AD1855 is in power-down/reset. It must not be changed while the AD1855 is operational.
7	I	X2MCLK	Selects internal clock doubler (LO) or internal clock = MCLK (HI).
8	O	ZEROR	Right Channel Zero Flag Output. This pin goes HI when Right Channel has no signal input for more than 1024 LR Clock Cycles.
9	I	DEEMP	De-Emphasis. Digital de-emphasis is enabled when this input signal is HI. This is used to impose a 50ms/15 ms response characteristic on the output audio spectrum at an assumed 44.1 kHz sample rate.
10	I	96/48	Selects 48 kHz (LO) or 96 kHz Sample Frequency Control.
11, 15	I	AGND	Analog Ground.
12	O	OUTR+	Right Channel Positive line level analog output.
13	O	OUTR-	Right Channel Negative line level analog output.
14	O	FILTR	Voltage Reference Filter Capacitor Connection. Bypass and decouple the voltage reference with parallel 10 mF and 0.1 mF capacitors to the AGND.
16	O	OUTL-	Left Channel Negative line level analog output.
17	O	OUTL+	Left Channel Positive line level analog output.
18	I	AVDD	Analog Power Supply. Connect to analog +5 V supply.
19	O	FILTB	Filter Capacitor connection, connect 10 mF capacitor to AGND.
20	I	IDPM1	Input serial data port mode control one. With IDPM0, defines one of four serial modes.
21	I	IDPM0	Input serial data port mode control zero. With IDPM1, defines one of four serial modes.
22	O	ZEROL	Left Channel Zero Flag output. This pin goes HI when Left Channel has no signal input for more than 1024 LR Clock Cycles.
23	I	MUTE	Mute. Assert HI to mute both stereo analog outputs. Deassert LO for normal operation.
24	I	PD/RST	Power-Down/Reset The AD1855 is placed in a low power consumption mode when this pin is held LO. The AD1855 is reset on the rising edge of this signal. The serial control port registers are reset to the default values. Connect HI for normal operation.
25	I	L/RCLK	Left/Right clock input for input data. Must run continuously.
26	I	BCLK	Bit clock input for input data. Need not run continuously; may be gated or used in a burst fashion.
27	I	SDATA	Serial input, MSB first, containing two channels of 16, 18, 20, and 24 bits of twos complement data per channel.
28	I	DVDD	Digital Power Supply Connect to digital +5 V supply.



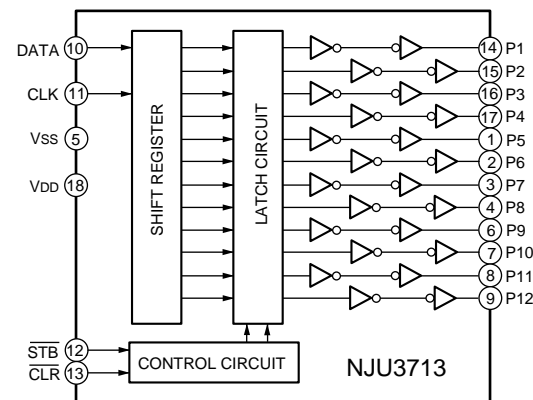
QL09,QZ11:LC74781

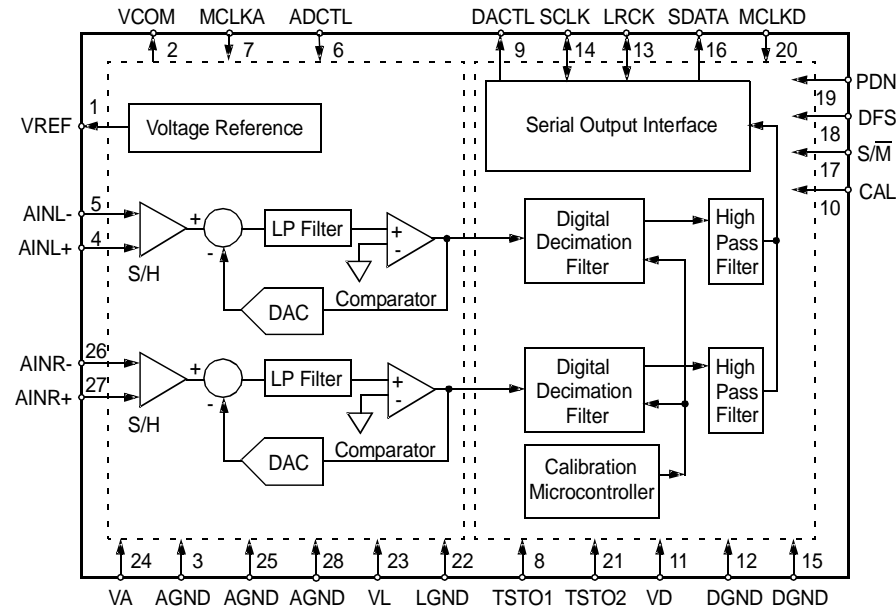


A03300



QV01:NJU3713





VOLTAGE REFERENCE	VREF	1	28	AGND	ANALOG GROUND
COMMON MODE VOLTAGE OUTPUT	VCOM	2	27	AINR+	RIGHT CHANNEL ANALOG INPUT+
ANALOG GROUND	AGND	3	26	AINR-	RIGHT CHANNEL ANALOG INPUT-
LEFT CHANNEL ANALOG INPUT+	AINL+	4	25	AGND	ANALOG GROUND
LEFT CHANNEL ANALOG INPUT-	AINL-	5	24	VA	POSITIVE ANALOG POWER
ANALOG CONTROL DATA INPUT	ADCTL	6	23	VL	ANALOG SECTION LOGIC POWER
ANALOG SECTION CLOCK INPUT	MCLKA	7	22	LGND	ANALOG SECTION LOGIC GROUND
TEST OUTPUT	TSTO1	8	21	TSTO2	TEST OUTPUT
CONTROL DATA OUTPUT	DACTL	9	20	MCLKD	DIGITAL SECTION CLOCK INPUT
CALIBRATION	CAL	10	19	PDN	POWER DOWN
DIGITAL SECTION POWER	VD	11	18	DFS	SERIAL DATA FORMAT SELECT
DIGITAL GROUND	DGND	12	17	S/M	SLAVE/MASTER MODE
LEFT/RIGHT CLOCK	LRCK	13	16	SDATA	SERIAL DATA OUTPUT
SERIAL CLOCK	SCLK	14	15	DGND	DIGITAL GROUND

Power Supply Connections

- VA - Analog Power, Pin 24.** Positive analog supply. Nominally +5 volts.
- VL - Logic Power, Pin 23.** Positive logic supply for the analog section. Nominally +5 volts.
- AGND - Analog Ground, Pins 3, 25, and 28.** Analog ground reference.
- LGND - Logic Ground, Pin 22.** Ground reference for the logic portions of the analog section.
- VD - Digital Power, Pin 11.** Positive supply for the digital section. Nominally +5 volts.
- DGND - Digital Ground, Pins 12 and 15.** Digital ground reference for the digital section.

Analog Inputs

- AINR-, AINR+ - Differential Right Channel Analog Inputs, Pins 26 and 27.** Analog input connections for the right channel differential inputs. Nominally 4.0 Vpp differential for full-scale digital output.
- AINL-, AINL+ - Differential Left Channel Analog Inputs, Pins 4 and 5.** Analog input connections for the left channel differential inputs. Nominally 4.0 Vpp differential for full-scale digital output.

Analog Outputs

- VCOM - Common Mode Voltage Output, Pin 2.** Nominally +2.5 volts. Requires a 10 mF electrolytic capacitor in parallel with 0.1 mF ceramic capacitor for decoupling to AGND. Caution is required if this output be used to bias the analog input buffer circuits. Refer to the CDB5394 as an example.
- VREF - Voltage Reference Output, Pin 1.** Nominally +4 volts. Requires a 100 mF electrolytic capacitor in parallel with 0.1 mF ceramic capacitor for decoupling to AGND.

Digital Inputs

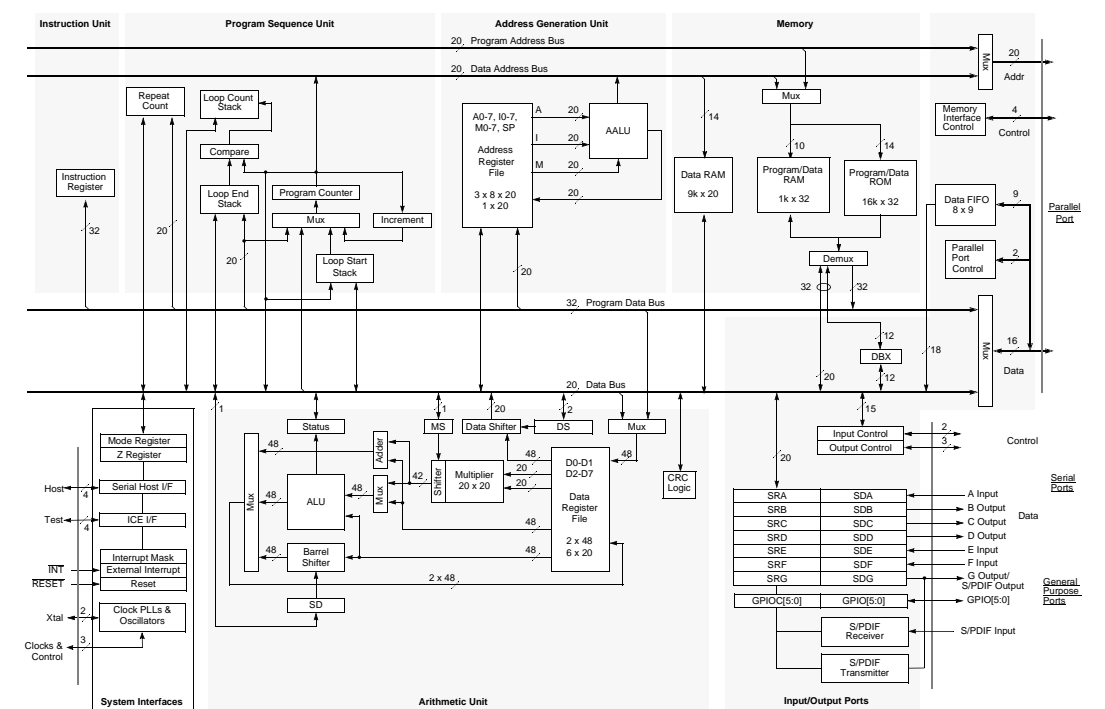
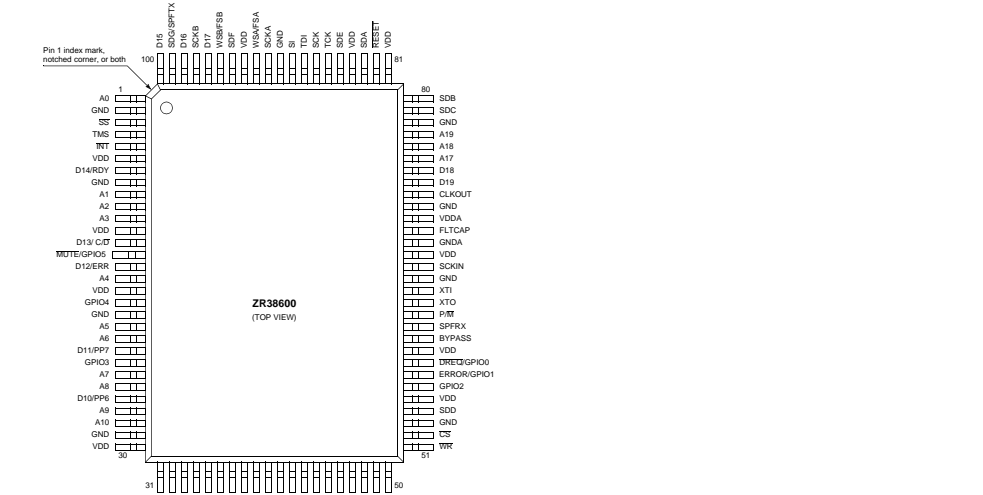
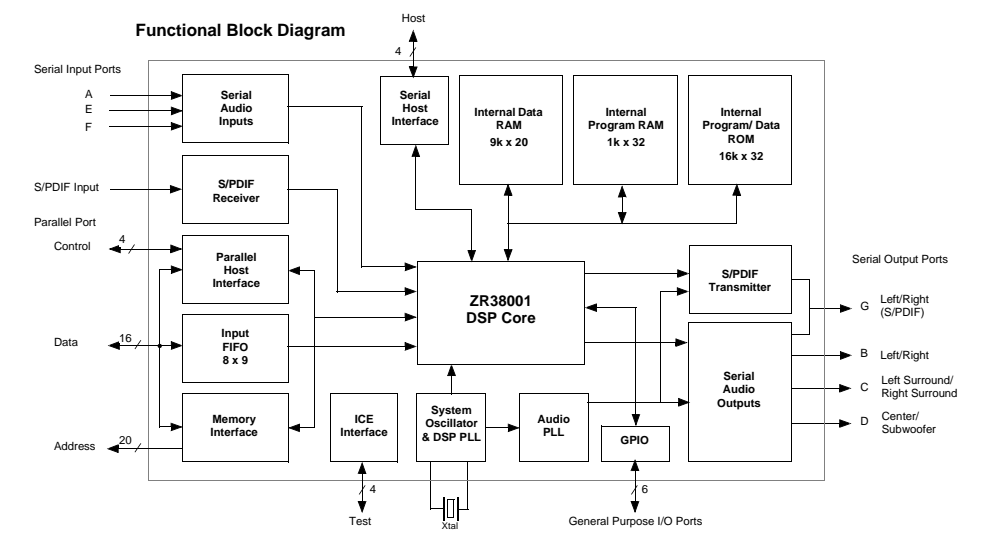
- ADCTL - Analog Control Input, Pin 6.** Must be connected to DACTL. This signal enables communication between the analog and digital circuits.
- DFS - Digital Format Select, Pin 18.** The relationship between LRCK, SCLK and SDATA is controlled by the DFS pin. When high, the serial output data format is I 2 S compatible. The serial data format is left-justified when low.
- CAL - Calibration, Pin 10.** Activates the calibration of the tri-level delta-sigma modulator on the rising edge of the CAL input.
- MCLKA - Analog Section Input Clock, Pin 7.** This clock is internally divided and controls the delta-sigma modulators. An MCLKA frequency of 12.288 MHz sets a modulator sampling rate of 3.072 MHz and a output sample rate of 48 kHz. MCLKA must be connected to MCLKD.
- MCLKD - Digital Section Input Clock, Pin 20.** MCLKD clocks the digital filter and must be connected to MCLKA. The required MCLKD frequency is determined by the desired sample rate. A MCLKD of 12.288MHz corresponds to Fs equal to 48 kHz. MCLKA must be connected to MCLKD.
- PDN - Power Down, Pin 19.** When high, the device enters power down. Upon returning low, the device enters normal operation and issues commands to initialize the voltage reference and synchronize the analog and digital sections of the device.
- S/M - Slave or Master Mode, Pin 17.** When high, the device is configured for Slave mode where LRCK and SCLK are inputs. The device is configured for Master mode where LRCK and SCLK are outputs when S/M is low.

Digital Outputs

- DACTL - Digital to Analog Control Output, Pin 9.** Must be connected to ADCTL. This signal enables communication between the digital and analog circuits.
- SDATA - Digital Audio Data Output, Pin 16.** The 24-bit audio data is presented MSB first, in 2's complement format. This pin has a internal pull-down resistor and must remain low during the power-up sequence to avoid accessing a test mode.
- Digital Inputs or Outputs**
- LRCK - Left/Right Clock, Pin 13.** LRCK determines which channel, left or right, is to be output on SDATA. The relationship between LRCK, SCLK and SDATA is controlled by the Digital Format Select (DFS) pin. Although the outputs for each channel are transmitted at different times, Left/Right pairs represent simultaneously sampled analog inputs. In master mode, LRCK is an output whose frequency is equal to Fs. In Slave Mode, LRCK is an input whose frequency must be equal to Fs.
- SCLK - Serial Data Clock, Pin 14.** Clocks the individual bits of the serial data from SDATA. The relationship between LRCK, SCLK and SDATA is controlled by the Digital Format Select (DFS) pin. In master mode, SCLK is an output clock at 64•L Fs. In slave mode, SCLK is an input which requires a continuously supplied clock at any frequency from 48•L to 128•L Fs (64•L is recommended).

Miscellaneous

- TSTO1, TSTO2 - Test Outputs, Pins 8 and 21.** These pins are intended for factory test outputs. They must not be connected to any external component or any length of circuit trace.



Detailed Block Diagram

QY01:TMP93CW40DF

Pin Description

No	Port Name	I/O	USE	Sig. Name	Act.	Description
1	VREFL	I	-	-	-	A/D VREFL
2	AVSS	I	-	-	-	A/D VSS
3	AVCC	I	-	-	-	A/D VCC
4	NMI	I	NMI	-	-	Pull Up
5	P70/TI0	I/O	O	POWER OFF	L	
6	P71/TO1	I/O	O	KILL IR	H	
7	P72/TO2	I/O	O	RC-5 OUT	H	
8	P73/TO3	I/O	O	SPEAKER OFF	H	SPK RELAY
9	P80/INT4	I/O	I	RC-5 IN	H	Both Edge
10	P81/INT5	I/O	I	SYNC0	H	Rising Edge
11	P82/TO4	I/O	I	HEAD PHONE	L	
12	P83/TO5	I/O	I	-	-	Fixed
13	P84/INT6	I/O	I	SURR. ACK	L	Both Edge
14	P85/INT7	I/O	I	SYNC1	H	Rising Edge
15	P86/TO6	I/O	I	MULTI RC-5 IN	L	
16	P87/INT0	I/O	I	POWER DOWN	L	
17	P90/TXD0	I/O	TXD	DO0	-	I/F to SURR. uP
18	P91/RXD0	I/O	RXD	DI0	-	I/F to SURR. uP
19	P92/SCLK0	I/O	SCLK	CLK0	-	I/F to SURR. uP
20	P93/TXD1	I/O	TXD	DO1	-	I/F to ICs
21	P94/RXD1	I/O	RXD	DI1	-	I/F to ICs
22	P95/SCLK1	I/O	SCLK	CLK1	-	I/F to ICs
23	AM8/_16	I	-	-	-	Pull Up
24	CLK	O	-	-	-	Pull Up
25	VCC	I	-	-	-	Pull Up
26	VSS	I	-	-	-	to VSS
27	X1	I	-	-	-	20MHz
28	X2	O	-	-	-	20MHz
29	EA	I	-	-	-	Pull Up
30	RESET	I	-	-	-	
31	P96/XT1	I/O	I	-	-	to VSS
32	P97/XT2	I/O	I	-	-	to VSS
33	TEST1	I	-	-	-	to TEST2
34	TEST2	I	-	-	-	to TEST1
35	PA0	I/O	O	OSD ON0	H	
36	PA1	I/O	O	OSD ON1	H	
37	PA2	I/O	O	CLR LED	L	NJU3718 CLR
38	PA3	I/O	O	MULTI RC-5 OUT	H	
39	PA4	I/O	O	LARGE/SMALL	L	LARGE = L
40	PA5	I/O	O	SMUTE	H	

Act.: Active level

Q691:μPD78018

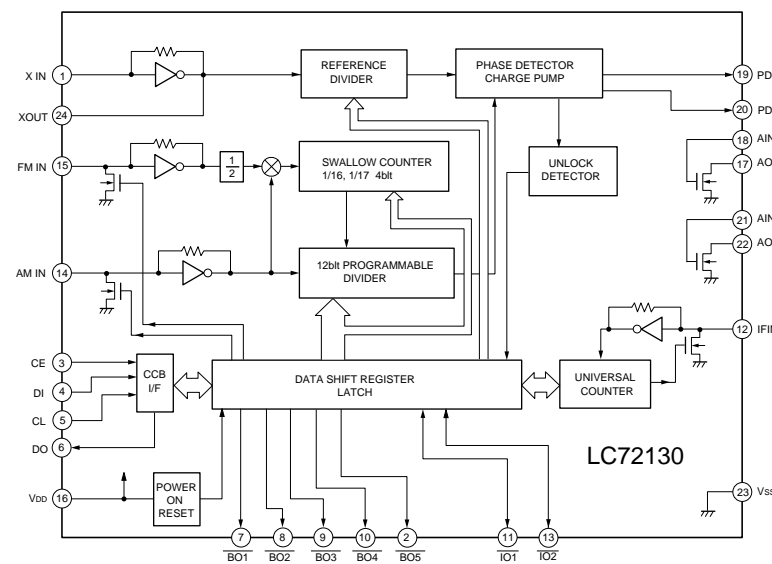
Pin Description

No	Port Name	I/O	USE	Sig. Name	Act.	Description
1	P30/TO0	I/O	I	C0_E0	-	DIR Status
2	P31/TO1	I/O	I	Ca_E1	-	DIR Status
3	P32/TO2	I/O	I	Cb_E2	-	DIR Status
4	P33/TI1	I/O	I	Cc_F0	-	DIR Status
5	P34/TI2	I/O	I	Cd_F1	-	DIR Status
6	P35/PCL	I/O	I	Ce_F2	-	DIR Status
7	P36/BUZ	I/O	O	TEST_COM	H	For Check SIO0 Interface
8	P37	I/O	I	OLD_OVFB	H	keep in port for SR880MK2
9	Vss	I	-	GND	-	GND
10	P40	I/O	O	ISEL1	-	SPDIF input select
11	P41	I/O	O	ISEL2	-	SPDIF input select
12	P42	I/O	O	CSEL1	-	SPDIF output select
13	P43	I/O	O	CSEL2	-	SPDIF output select
14	P44	I/O	O	KILLC	H	Kill SPDIF output
15	P45	I/O	O	ATRF	H	Auto RF select
16	P46	I/O	O	RFSEL	H	RF select
17	P47	I/O	O	DIG_ANA	-	Digital/ Analog select
18	P50	I/O	O	SMUTE	H	Soft mute by DAC
19	P51	I/O	O	UMUTE	L	Hard mute by Tr.
20	P52	I/O	O	FS96	H	Fs=96k set
21	P53	I/O	O	BYPASS	H	Bypass DSP
22	P54	I/O	O	_CS_DSP1	L	I/F Q601 (main DSP)
23	P55	I/O	O	_CSB_DSP1	L	I/F Q601 (sub DSP)
24	Vss	I	-	GND	-	GND
25	P56	I/O	O	_SS_DSP2	L	I/F Q651
26	P57	I/O	O	C_EF_DIR	-	DIR Status Out Select
27	P60	I/O	O	_RSTRF	L	Reset to PM4007
28	P61	I/O	O	ADCAL	H	Cal. to ADC
29	P62	I/O	O	_RSTDSP2	L	Reset to Q651
30	P63	I/O	O	ATT3	L	Attenuate to Bypass
31	P64	I/O	O	_RSTDA1	L	Reset to DAC
32	P65	I/O	O	_RSTDA2	L	Reset to DAC

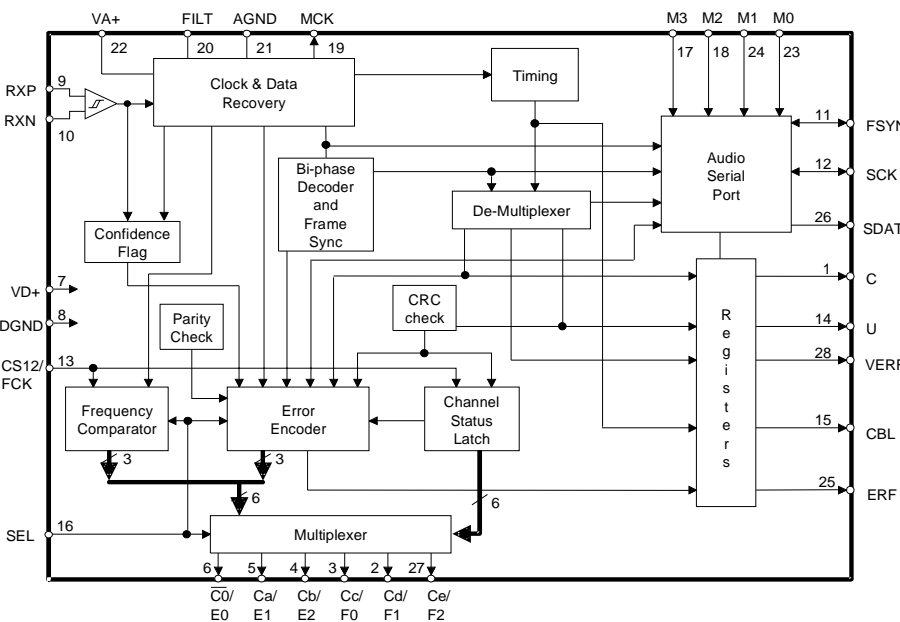
Act. : Active level , OPT : Option

No	Port Name	I/O	USE	Sig. Name	Act.	Description
33	P66/WAIT	I/O	O	IC	L	Reset to Q601
34	P67/ASTB	I/O	O	RSTDIR	H	DIR Ch. Status Select
35	RESET	I	I	RSTC	L	I/F Master CPU
36	P00/INTP0	I	I	OVFB	-	Over load to DSP
37	P01/INTP1	I/O	I	REQ	L	I/F Master CPU
38	P02/INTP2	I/O	I	ERF	H	SPDIF Error status
39	P03/INTP3	I/O	I	_RFNODET	L	RF input status
40	Vdd	I	-	+5V	-	+5v
41	X2	O	-	-	-	10MHz
42	X1	I	-	-	-	10MHz
43	IC	I	-	-	-	to GND
44	XT2	O	-	n.c.	-	Open
45	P04/XT1	I	-	n.c.	-	Vdd
46	Avss	I	-	GND	-	GND
47	P10/ANI0	I/O	ANI	KEY1	-	Optional 8 key input
48	P11/ANI1	I/O	ANI	KEY2	-	Optional 8 key input
49	P12/ANI2	I/O	ANI	KEY3	-	Optional 8 key input
50	P13/ANI3	I/O	ANI	KEY4	-	Optional 8 key input
51	P14/ANI4	I/O	I	SWITCH1	-	Link Host or Stand alone
52	P15/ANI5	I/O	I	SWITCH2	-	THX or Not
53	P16/ANI6	I/O	I	SWITCH3	-	ADC or CODEC
54	P17/ANI7	I/O	O	PDAD	-	ADC Power Down
55	AVdd	I	-	+5v	-	+5v
56	AVref	I	-	+5v	-	+5v
57	P20/SI1	I/O	I	SI1	-	I/F Master CPU
58	P21/SO1	I/O	O	SO1	-	I/F Master CPU
59	P22/SCK1	I/O	I	SCK1	-	I/F Master CPU
60	P23/STB	I/O	O	_ACK	L	I/F Master CPU
61	P24/BUSY	I/O	O	DEEMP	-	Pull Up
62	P25/SI0	I/O	I	SI0	-	I/F Q601&Q651
63	P26/SO0	I/O	O	SO0	-	I/F Q601&Q651
64	P27/SCK0	I/O	O	SCK0	-	I/F Q601&Q651

Q501:LC72130

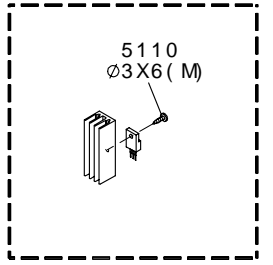


QR01:CS8414

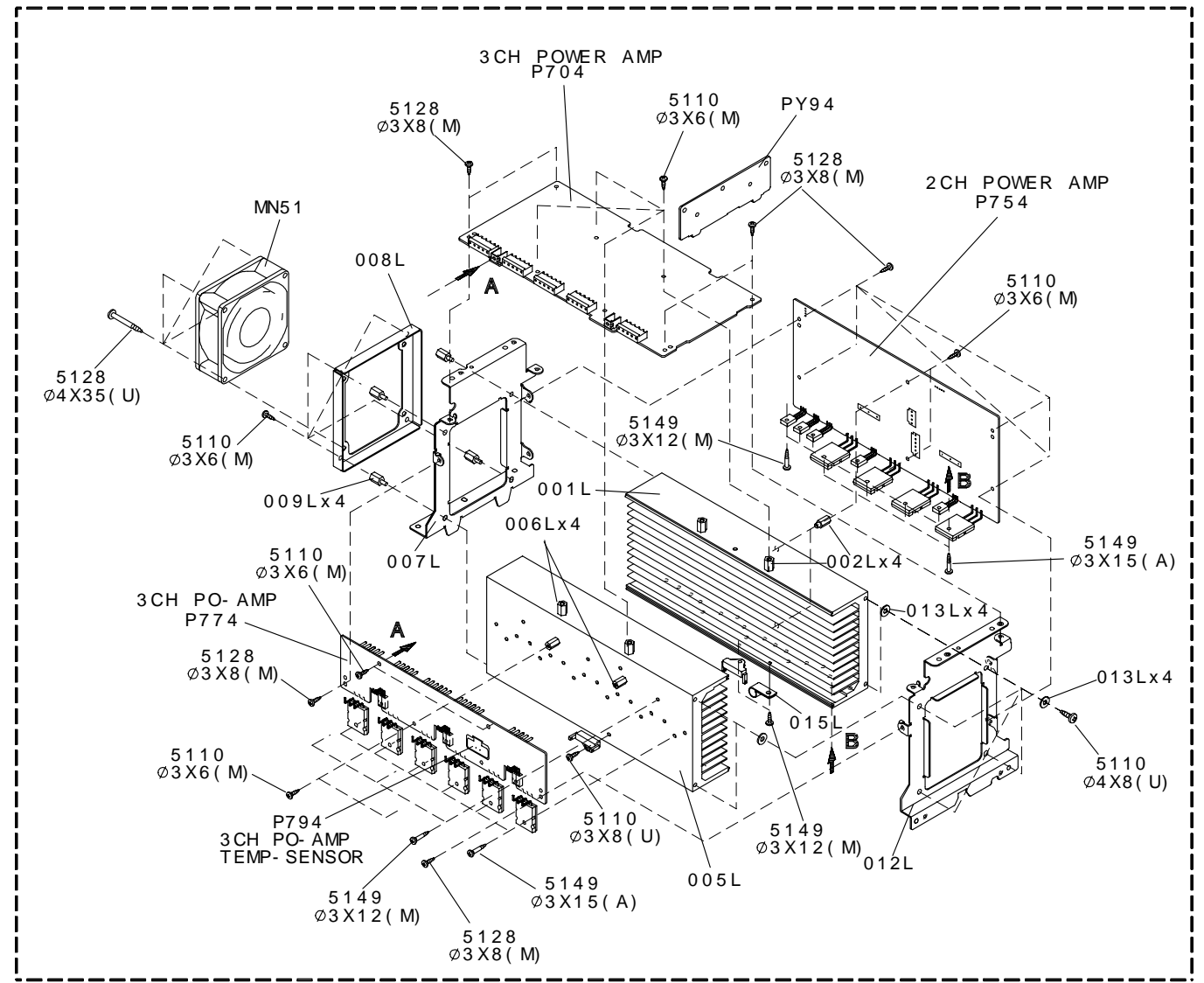


Pin	Signal Name	Description
1	C	DIGITAL POWER
2	Cd/F1	CS d/FREQ REPORT 1
3	Cc/F0	CS c/FREQ REPORT 0
4	Cb/E2	CS b/ERROR CONDITION 2
5	Ca/E1	CS a/ERROR CONDITION 1
6	C0/E0	CS 0/ERROR CONDITION 0
7	VD+	DIGITAL POWER
8	DGND	DIGITAL GROUND
9	RXP	RECEIVE POSITIVE
10	RXN	RECEIVE NEGATIVE
11	FSYNC	FRAME SYNC
12	SCK	SERIAL DATA CLOCK
13	CS12/FCK	CHANNEL SELECT/FLOCK
14	U	FRAME SYNC
15	CBL	CHANNEL SELECT/FLOCK
16	SEL	FREQ/CS SELECT
17	M3	SERIAL PORT MODE SELECT 3
18	M2	SERIAL PORT MODE SELECT 2
19	MCK	MASTER CLOCK
20	FILT	FILTER
21	AGND	ANALOG GROUND
22	VA+	ANALOG POWER
23	M0	SERIAL PORT MODE SELECT 0
24	M1	SERIAL PORT MODE SELECT 1
25	ERF	ERROR FLAG
26	SDATA	SERIAL OUTPUT DATA
27	Ce/F2	CS e/FREQ REPORT 2
28	VERF	FRAME SYNC

POS. NO	VERS. COLOR	PART NO. (FOR PCS)	DESCRIPTION	PART NO. (MUJ)	POS. NO	VERS. COLOR	PART NO. (FOR PCS)	DESCRIPTION	PART NO. (MUJ)
001B	GOLD		FRONT AL PANEL KIT GL	323J248510	015K	GOLD		BUSHING SPK.TERMINAL CAP	227J259010
001B	BLACK		FRONT AL PANEL KIT BL	323J248500	015K	BLACK		BUSHING SPK.TERMINAL CAP	227J259020
002B	GOLD		FRONT AL PANEL GL	323J248110				UL 94V-1	
002B	BLACK		FRONT AL PANEL BL	323J248010					
003B	GOLD		FRONT MOULD PANEL GL	300J248150	JL21			SHORT PIN WITH COVER	YQ01000080
003B	BLACK		FRONT MOULD PANEL BL	300J248050	JL25				
005B	GOLD		WINDOW FL GL	300J158110					
005B	BLACK		WINDOW FL BL	300J158010					
006B		9965 000 01794	LENS FUNCTION LED	300J355010	▲ L001	/K		MAINS TRANSF. 220V 50Hz	TS19630130
007B	GOLD	9965 000 01795	BUTTON GYRO SIDE FUNCTION GL	300J270120	▲ L001	/S		MAINS TRANSF. 230V 50Hz	TS19630140
			BUTTON GYRO SIDE FUNCTION BL	300J270020	▲ L001	/U		MAINS TRANSF. 120V 60Hz	TS19630150
			ESCUTCHEON CORNER L SIDE GL	300J063110	▲ L002	/K		MAINS TRANSF. 220V 50/60Hz	TS17205090
008B	GOLD		ESCUTCHEON CORNER L SIDE GL	300J063110	▲ L002	/S	9965 000 01779	MAINS TRANSF. 230V 50/60Hz	TS17205100
008B	BLACK		ESCUTCHEON CORNER L SIDE BL	300J063010	▲ L002	/U		MAINS TRANSF. 120V 60Hz	TS16404120
010B	GOLD		ESCUTCHEON CORNER R SIDE GL	300J063120	L003	/S		FERRITE CORE TFCK-25-15-12	FC50250020
010B	BLACK		ESCUTCHEON CORNER R SIDE BL	300J063020	L003	/U		FERRITE CORE TFCK-25-15-12	FC50250020
012B	GOLD	4822 381 12016	LENS IR GL	256J355030	L004		4822 526 10691	FERRITE CORE TFCK-16-8-13 FOR WL01	FC50160030
012B	BLACK	4822 381 12015	LENS IR BL	256J355040	L005		4822 526 10691	FERRITE CORE TFCK-16-8-13 FOR WY04	FC50160030
013B		4822 381 11677	LENS POWER LED	230K355020	L006		4822 526 10691	FERRITE CORE TFCK-16-8-13 FOR WY02	FC50160030
014B		4822 462 71955	BUFFER DOOR	446T056010					
015B	GOLD	9965 000 01798	BUTTON FUNCTION BLOCK G	300J270110				PACKING	
015B	BLACK		BUTTON FUNCTION BLOCK B	300J270010	001T	/K,/S		USER GUIDE	323J851350
016B	GOLD	9965 000 01799	ARM DOOR HINGE L SIDE GL	300J002110	001T	/U		USER GUIDE	323J851250
016B	BLACK		ARM DOOR HINGE L SIDE BL	300J002010					
017B	GOLD	9965 000 01800	ARM DOOR HINGE R SIDE GL	300J002120	Z001		9965 000 01382	REMOTE COMMANDER RC-18SR	ZK300J0010
017B	BLACK		ARM DOOR HINGE R SIDE BL	300J002020				MAINS CORD CCEE 2.5A 250V	ZC01803090
018B			SHAFT DOOR	300J112010	▲ Z007	/K		MAINS CORD 2P 10A 250V CLASS2	ZC01803080
021B		4822 529 10215	DAMPER DOOR	391H130030	▲ Z007	/S	4822 321 11439	MAINS CORD	ZC01802100
023B	GOLD		DOOR PANEL GL	323J162110	▲ Z007	/U		125V 13A UL CSA	ZC01804070
023B	BLACK		DOOR PANEL BL	323J162010	▲ Z008	/S	9965 000 01383	MAINS CORD 10A 250V HONG KONG	
026B		4822 526 20213	MAGNET DOOR	271K305500					
028B			MASK WINDOW SHEET L	300J303010					
029B			MASK WINDOW SHEET R	300J303020					
030B		9650 000 01803	SPRING DOOR ESD	300J115010					
040B	GOLD		KNOB MASTER GL	300J154110					
040B	BLACK		KNOB MASTER BL	300J154010					
041B	GOLD	4822 410 11276	BUTTON POWER GL	176J270150					
041B	BLACK	4822 410 11275	BUTTON POWER BL	176J270050					
042B		4822 404 21012	JOINT POWER	025J125010					
043B		4822 256 92097	HOLDER FL	183J271020					
057B	GOLD		MASK IR	300J303030					
001C	GOLD	4822 410 11676	ESCUTCHEON GYRO UP & DOWN GL	290J063110				NOT STANDARD SPARE PARTS	
001C	BLACK	4822 410 11675	ESCUTCHEON GYRO UP & DOWN BL	290J063010	001S	/U		PACKING CASE	323J801010
002C	GOLD	9965 000 01396	RUBBER RING GYRO GL	290J066110	002S	/U		CUSHION L SIDE	300J809010
002C	BLACK		RUBBER RING GYRO BL	290J066010	003S	/U		CUSHION R SIDE	300J809020
003C		9965 000 01397	FLYWHEEL GYRO BASE	290J273110					
006C		9965 000 01398	SHAFT GYRO MAIN	290J112010					
009C			RETAINER GYRO UPPER	290J104050					
014C		9965 000 01805	SHAFT GYRO SUSTAINER UNDER	300J112020					
015C			WASHER FOR UNDER SIDE	59071102G0					
001D	GOLD		LID TOPCOVER GL PAINT	300J257050	Z003	/K		FM ANTENNA 931222R	ZA02800020
001D	BLACK		LID TOPCOVER BL PVC	300J257010	Z003	/S		FM ANTENNA 931222R	ZA02800020
055G			LEG FRONT GOLD PAINT	264J057040	Z003	/U	4822 303 30314	FM EXT ANT	ZA02000070
056G			LEG REAR GOLD PAINT	264J057140	Z004		4822 157 63083	LOOP ANT COIL LA-700HB	LA00055010
014K	GOLD		BUSHING SPK.TERMINAL CAP	227J259010	Z005	/U	4822 264 30265	PLUG ANT ADAPTOR	YP90000310
014K	BLACK		BUSHING SPK.TERMINAL CAP UL 94V-1	227J259020	Z006	/K	4822 265 10092	JACK AC ADAPTER S-I6116	YJ04001240



SYMBOL	STYLE	PARTS NAME	MARK	MATERIAL/FINISH
5110		+B. H. M. SCREW	(M)	STEEL/COPPER
5126		+B. H. TAP TITE SCREW W/WASHER	(U)	STEEL/BLACK
5128		+B. H. TAP TITE SCREW (B TYPE)	(A)	STEEL/CHROMATE
5149		+B. H. M. SCREW(W/ WASHER/ SP WASHER)	(B)	STEEL/CHROMATE
5204		+H. H. TAPT. BOLTS WITH FLANGE(S TITE)		
5405		TOOTHED LOCK WASHERS		
5411		FLAT WASHERS		



8. SERVICE PROGRAM

REMARK

If these service programs are set, All user preset memories will be cleared.

1. FACTORY mode (Tracking point memory)

This **FACTORY mode** can be use for measurement of the tuner circuit.

When the product is POWER ON, press both [**MEMO**] and [**DISPLAY OFF**] buttons simultaneously over 3 seconds.

FLD shows "**FACTORY**" for 3 seconds. Press [**PRESET**] button, FLD shows "**PRESET SEL**".

The tuning frequencies are memorized as follows.

Band	VERSION	P1	P2	P3	P4
FM AUTO [MHz]	U, K, S	90.0	98.0	106.0	87.5
	F	78.0	83.0	88.0	76.0

Band	SCAN STEP	P5	P6	P7	P8	P9	P10	P11	P12
AM [kHz]	10 kHz(U)	600	1000	1400	520				
	9kHz(F, K, S)	603	999	1404	531				

2. FLD segment check mode

This mode is available to check all luminous segments by the following steps.

1. When the product is FACTORY mode (Refer to above mentioned "1. **FACTORY mode**"), press [**DISPLAY OFF**] button. FLD shows "**SERVICE**" for 2 seconds.
2. All segments and all LED light up for 5 seconds.
3. Each segment lights up step by step.
4. Press [**DISPLAY OFF**] button again, then this mode will be stopped and the product will be FACTORY mode.

3. Version of microprocessor (CPU)

This program is available to confirm the version of each CPU by the following steps.

QY01 (main) : When the product is POWER ON, press both [**CL**] and [**TREBLE ▼**] buttons simultaneously over 3 seconds.
FLD shows the version of program code for QY01.

Q691 (DSP) : When the product is POWER ON, press both [**CL**] and [**BASS ▼**] buttons simultaneously over 3 seconds.
FLD shows the version of program code for Q691.

4. Input and output test mode

This mode is available for the functions as shown in Fig 1 by the following steps.

1. When the product is FACTORY mode (Refer to above mentioned "1. **FACTORY mode**"), press both [**MEMO**] and [**TREBLE ▼**] buttons simultaneously.
2. FLD shows "**AUTO D1**". By pressing both [**MEMO**] and [**TREBLE ▼**] buttons simultaneously each time, the mode is changed in the following order.

Fig 1 Input and output test mode

ORDER	INDICATION for FLD	MODE FUNCTION
1	AUTO D1	Input selection mode (without using system setup menu)
2	ALL CH D1	5 or 6 channels output mode (This mode is available for 2 channels input)
3	INPULSE --	This mode is development use only
4	CD/DIG1	This mode is the same status as FACTORY mode

4.1. Input selection mode (without setting to system setup menu)

This mode is available to select the input without setting to system setup menu by the following steps.

1. When FLD shows "AUTO D1"(Refer to "4. **Input and output test mode**"), the input can be shifted by pressing [**MODE**] button for the remote commander only each time as shown in Fig 2. ([**MODE**] button is in page4 of **AMP** function for RC-18SR*)

Fig 2. Input selection order by pressing [**MODE**] button each time

ORDER	INDICATION for FLD	INPUT STATUS
1	AUTO D1	DIG. 1 IN
2	AUTO D2	DIG. 2 IN
3	AUTO D3	DIG. 3 IN
4	AUTO D4	DIG. 4 IN
5	AUTO RF	RF IN
6	AUTO CD	CD IN (Analog)

Note: Surround mode is fixed "**AUTO**" mode automatically.

4.2. 5.1 channels output mode

This mode is available to output the same signal from 5 channels, even though 2 channels audio signal comes in.

As the result, all channels output can be confirmed by using analog stereo signal or PCM audio signal.

AC-3 or DTS source is not necessary to output from any channel in this mode.

1. When FLD shows "ALL CH D1" (Refer to "4. **Input and output test mode**"), the input can be shifted by pressing [**MODE**] button for the remote commander only each time as shown in Fig 3. ([**MODE**] button is in page4 of **AMP** function for RC-18SR*)
2. Supply to 2 channels PCM signal for digital input or 2 channels analog signal for analog input. But, Left channel and Right channel of input signal should be equal.
3. Then each output from the product is the same as the input signal. (Subwoofer channel is respond to lower than 80Hz signal)

Fig 3. Input selection order by pressing [**MODE**] button each time

ORDER	INDICATION for FLD	INPUT STATUS
1	ALL CH D1	DIG. 1 IN
2	ALL CH D2	DIG. 2 IN
3	ALL CH D3	DIG. 3 IN
4	ALL CH D4	DIG. 4 IN
5	ALL CH RF	RF IN
6	ALL CH CD	CD IN (Analog)

5. Transistor MUTE mode

In mute situation on the product, output signal is muted by Volume control IC and muting transistor.

But, this mode is available to work the muting transistor only by the following steps.

1. When the product is FACTORY mode (Refer to "1. **FACTORY mode**"), press [**MUTE**] button for remote commander only.
2. FLD shows "**TrMUTE ON**", then muting transistor circuit is active only.

6. How to reset the product

When the product is POWER ON, press both [**CL**] and [**DISPLAY OFF**] buttons simultaneously.

FLD shows "**DEFAULT**" for 3 seconds, then all memories are cleared.

Note

* : The remote controller RC2000mkII is available instead of RC-18SR for [**MODE**] button.

9. ELECTRICAL ADJUSTMENTS

1. DC offset adjustment

Master Volume : Minimum, Speaker out : non Load

Step	Power	Channel	Adjustment Point	Test Point	Adjustment Vaule
1	on	Front L	R715	Speaker Output Terminal	± 20mV
		Center	RT15		
		Front R	RP16		
		Surr. L	RP15		
		Surr. R	R716		

Note : If the measured value is not exceed ±20mV, no need to adjust the DC offset.

2. Idling current adjustment

Master Volume : Minimum, Speaker out : non Load

Step	Power	Channel	Adjustment Point	Test Point	Adjustment Vaule
1	Power on	Front L	R743	J713 or R773	within 1 minute 0.4mV
		Center	RT43	JT13 or RT73	
		Front R	RP44	JP04 or RP74	
		Surr. L	RP43	JP03 or RP73	
2	after 4 minutes	Surr. R	R744	J714 or R774	see table for adjustment vaule
				J***:4P Connector [between 1p-4p] R***:Emitter Resister [0.18Ω x 2]	

Time since power on	Idling current adjust.	Time since power on	Idling current adjust.
4-4 minutes 30 seconds	11.8mV	11-12 minutes	16.6mV
4m30s-5 minutes	13.1mV	12-14 minutes	15.9mV
5-5 minutes 30 seconds	14.1mV	14-16 minutes	15.4mV
5m30s-6 minutes	14.9mV	16-18 minutes	14.8mV
6-7 minutes	15.5mV	18-22 minutes	13.5mV
7-8 minutes	16.2mV	22-26 minutes	12.2mV
8-9 minutes	16.5mV	26-30 minutes	11.0mV
9-10 minutes	17.0mV	more than 30 minutes	10.0mV
10-11 minutes	16.8mV		The taget is 7.2mV

3. Thermostat circuit confirmation

- 1) When the product is POWER ON, remove the wire W701 from the connector J715 (P704).
- 2) FLD shows "ERROR PWR1".
- 3) Confirm the product is POWER OFF after 3 seconds.
- 4) Connect the wire W701 to the connector J715 (on P704).
- 5) Confirm the product is standby status.

4. Cooling fan confirmation

4.1 Fan failure sensor confirmation

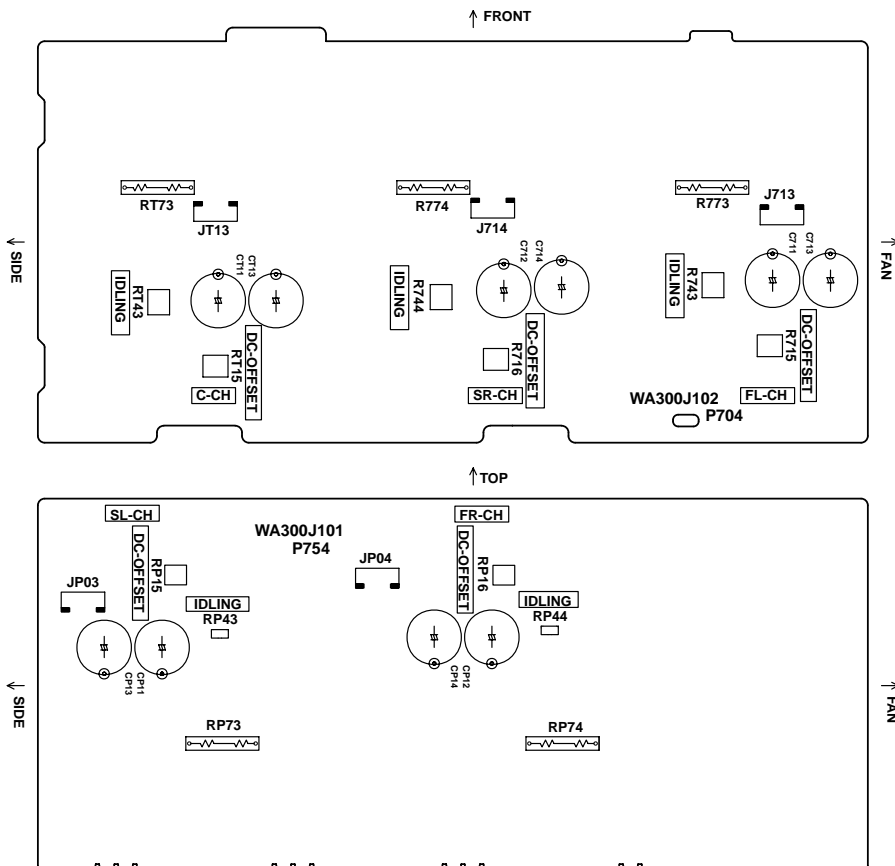
- 1) Set to be SPK output 1W from the front channel.
- 2) Connect the 1pin (LOCK) of the connector JN10 (on P754) to chassis (GND level) by a wire.
- 3) After 6 seconds the SPK relay works, and the SPK output isn't output.

4.2 Temperature sensor confirmation

- 1) Connect a resistor (470ohm 1W) between JN10 3pin (T-2CH) and DC +12V.
- 2) Confirm the cooling fan starts working. (Status : JN09 between 1pin and 2pin = **+7.5V**, Fan speed = **Low**)
- 3) Remove the resistor.
- 4) Confirm the cooling fan stops.
- 5) Connect the resistor between JN10 4pin (T-3CH) and DC +12V.
- 6) Confirm the cooling fan starts working again.
- 7) Remove the resistor.
- 8) Confirm the cooling fan stops.
- 9) Connect the resistor between JN10 3pin (T-2CH) and DC +12V. And then connect another resistor between JN10 4pin (T-3CH) and DC +12V.
- 10) Confirm the cooling fan starts working.
- 11) And then connect the resistor between JN10 2pin (SPEED) and DC +12V.
- 12) Confirm the cooling fan changes to work with high speed. (Status : JN09 between 1pin and 2pin = **+11.5V**, Fan speed = **High**)

4.3 Fan catching a foreign body sensor confirmation

- 1) Connect the resistor (470ohm 1W) between JN10 3pin (T-3CH) and DC +12V.
 - 2) Confirm the cooling fan starts working. (Status : JN09 between 1pin and 2pin=**+7.5V**, Fan speed = **Low**)
 - 3) Set to be SPK output 1W from the front channel.
 - 4) Hold the cooling fan by hand and stop it.
- Notes: Take care of wound in the hand!**
- 5) After 6 seconds the SPK relay works and the SPK output isn't output.



10. ALIGNMENT PROCEDURES

1. AM IF Adjustment

Step	Input Signal Source Connection	Signal Frequency	Source Signal Output Level and Modulation	Reception Frequency	Adjustment Point	Adjustment Value
1	Signal generator output to transmission *loop antenna. (*:Standard required loop)	999 kHz (K, S, F) 1000 kHz (U)	Level 300 μ V/m (50dB/m) Mod. 400 Hz 30%	Tuning point	LA06	Output level (L or R) Maximum at TAPE-OUT

REMARK: For receiving antenna, the adapted one is available.

This adjustment is not necessary normally, because the coil LA06 is preset by the original supplier.

It is necessary when the incorrect usable sense and frequency response.

2. AM (MW) Tracking Adjustment

Step	**Input Signal Source Connection	Signal Frequency	Source Signal Output Level and Modulation	Reception Frequency	Adjustment Point	Adjustment Value
1	Signal generator output to transmission *loop antenna. (*:Standard required loop)	603 kHz (K, S, F) 600 kHz (U)	Level 300 - 400 μ V/m Mod. 400 Hz 30%	603 kHz (K, S, F) 600 kHz (U)	LA01	Output level (L or R) Maximum at TAPE-OUT
2		1404 kHz (K, S, F) 1400 kHz (U)	Level 300 - 400 μ V/m Mod. 400 Hz 30%	1404 kHz (K, S, F) 1400 kHz (U)	CA01	Output level (L or R) Maximum at TAPE-OUT
3	Repeat step 1 and 2 until sensitivity be maximized.					

3. AM (LW) Tracking Adjustment [N version]

Step	**Input Signal Source Connection	Signal Frequency	Source Signal Output Level and Modulation	Reception Frequency	Adjustment Point	Adjustment Value
1	Signal generator output to transmission *loop antenna. (*:Standard required loop)	171 kHz	Level 300 - 400 μ V/m Mod. 400 Hz 30%	171 kHz	LA03	Output level (L or R) Maximum at TAPE-OUT
2		270 kHz	Level 300 - 400 μ V/m Mod. 400 Hz 30%	270 kHz	CA08	Output level (L or R) Maximum at TAPE-OUT
3	Repeat step 1 and 2 until sensitivity be maximized.					

4. AM auto stop Adjustment

Step	Input Signal Source Connection	Signal Frequency	Source Signal Output Level and Modulation	Reception Frequency	Adjustment Point	Adjustment Value
1	Signal generator output to transmission *loop antenna. (*:Standard required loop)	999 kHz (K, S, F) 1000 kHz (U)	500 μ V/m (54 dB/m)	999 kHz (K, S, F) 1000 kHz (U)	RA11	"TUNED" indicate on FLD
2			1000 μ V/m (60 dB/m)	AUTO SCAN	Only Confirm	"TUNED" indicate on FLD

5. FM MONO. Distortion Adjustment

Step	Input Signal Source Connection	Signal Frequency	Source Signal Output Level and Modulation	Reception Frequency	Adjustment Point	Adjustment Value
1	Signal generator output to FM antenna terminal. (75 Ω)	98 MHz (K, S, U) 83 MHz (F)	500 μ V (54 dB) MONO 1 kHz / Dev.40kHz 53.3% (K, S) MONO 1 kHz / Dev. 75 kHz 100% (U, F)	98 MHz (P2)	L201	Distortion level Minimum at TAPE-OUT

6. FM Muting Level Adjustment

Turn the variable resistor **R212** to no indication ("TUNED") point. And return that valuable resistor in opposite to the "TUNED" indicate point.

Step	Input Signal Source Connection	Signal Frequency	Source Signal Output Level and Modulation	Reception Frequency	Adjustment Point	Adjustment Value
1	Signal generator output to FM antenna terminal. (75 Ω)	98 MHz (K, S, U) 83 MHz (F)	10 μV (20 dB) MONO 1 kHz / Dev.40 kHz 53.3% (K, S) MONO 1 kHz / Dev. 75 kHz 100% (U, F)	98 MHz (P2) 83 MHz (P2)	R212	"TUNED" indicate on FLD
2			Over mentioned level +3 dB	AUTO SCAN	Only Confirm	"TUNED" indicate on FLD

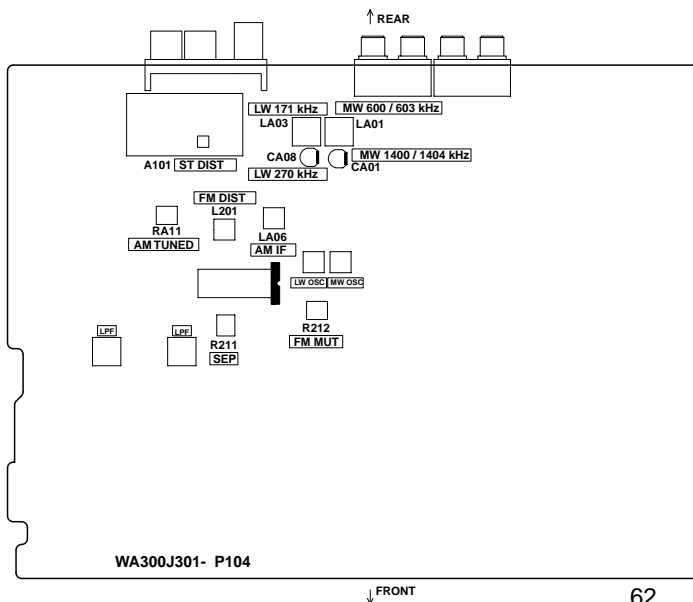
7. FM STEREO Distortion Adjustment

Adjust the **L channel** with the RF signal modulated only **L channel** first and confirm the **R channel** with the RF signal modulated only **R channel**.

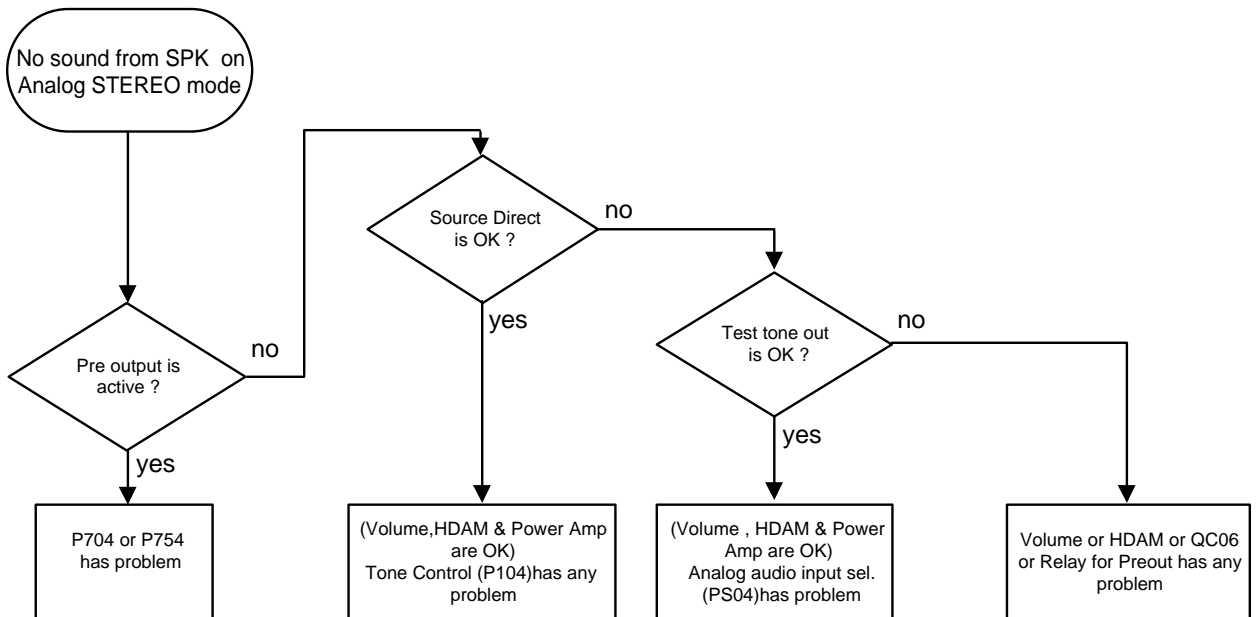
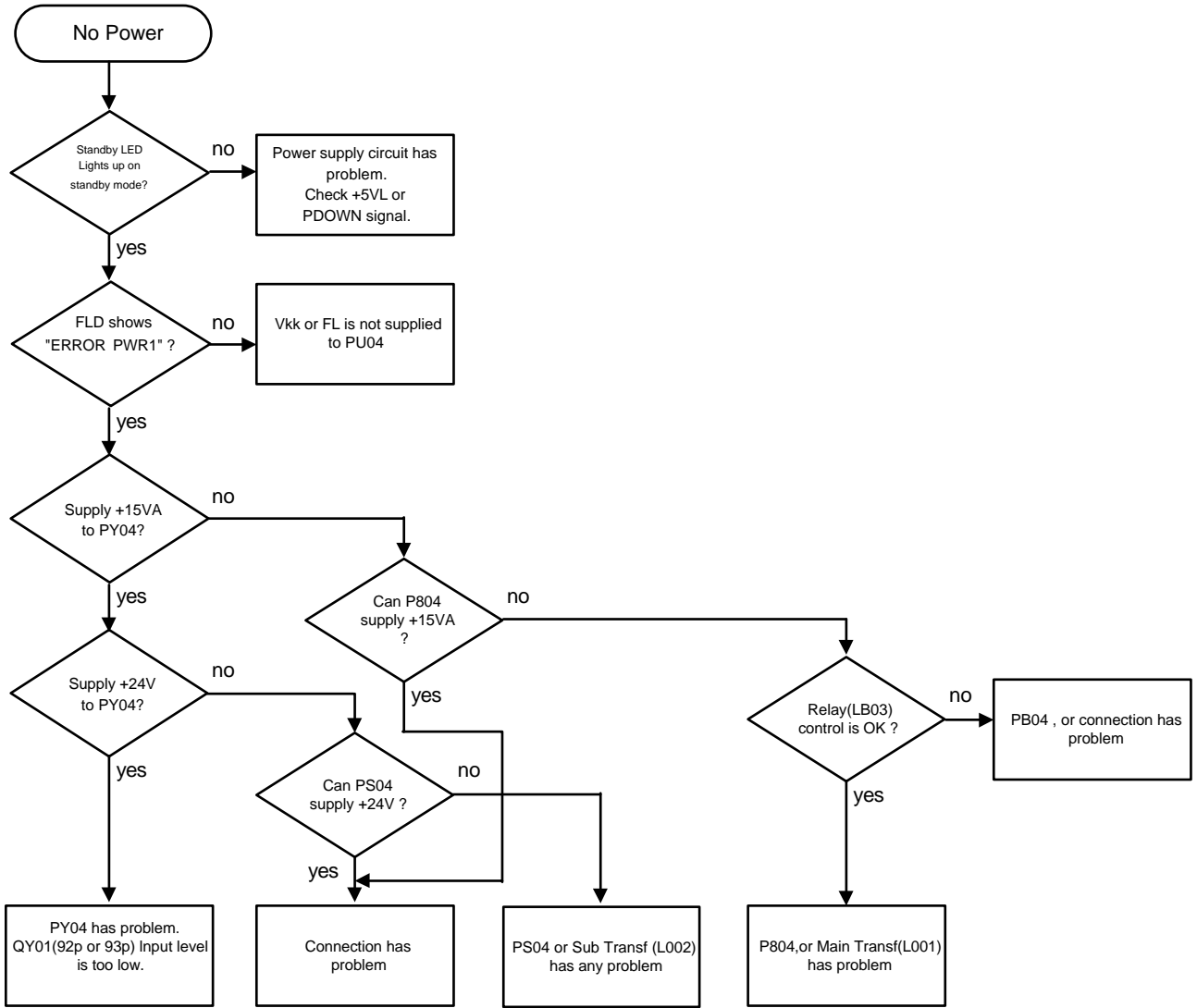
Step	Input Signal Source Connection	Signal Frequency	Source Signal Output Level and Modulation	Reception Frequency	Adjustment Point	Adjustment Value
1	Signal generator output to FM antenna terminal. (75 Ω)	98 MHz (K, S, U) 83 MHz (F)	500 μV (54 dB) L or R 1 kHz / Dev. 40 kHz 53.3% PILOT 19 kHz / Dev. 6 kHz 8% (K, S)	98 MHz (P2) 83 MHz (P2)	IF COIL in FRONT END	Distortion level Minimum at TAPE-OUT
2			L or R 1 kHz / Dev. 67.5 kHz 90% PILOT 19 kHz / Dev. 6.75 kHz 9% (U, F)			Only Confirm

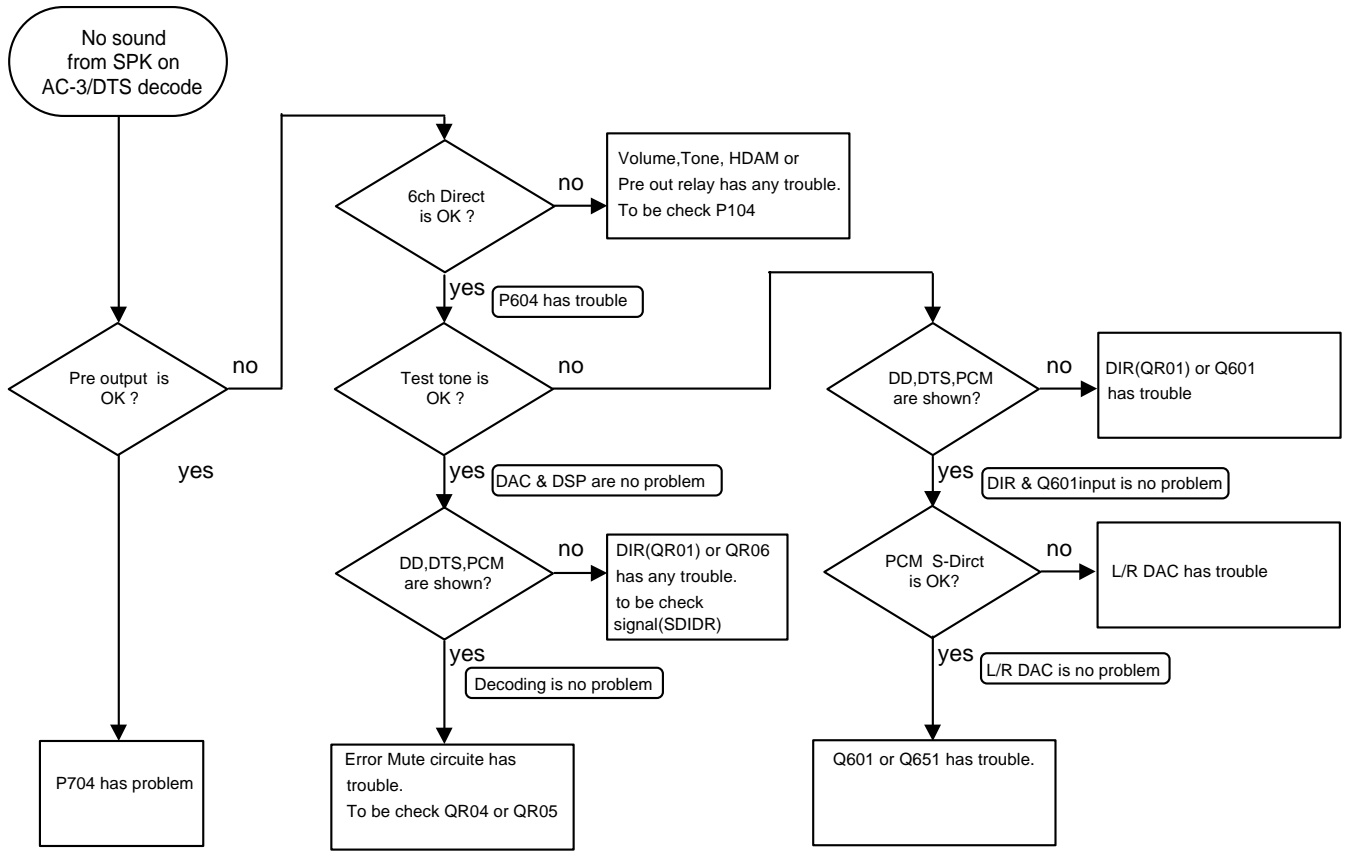
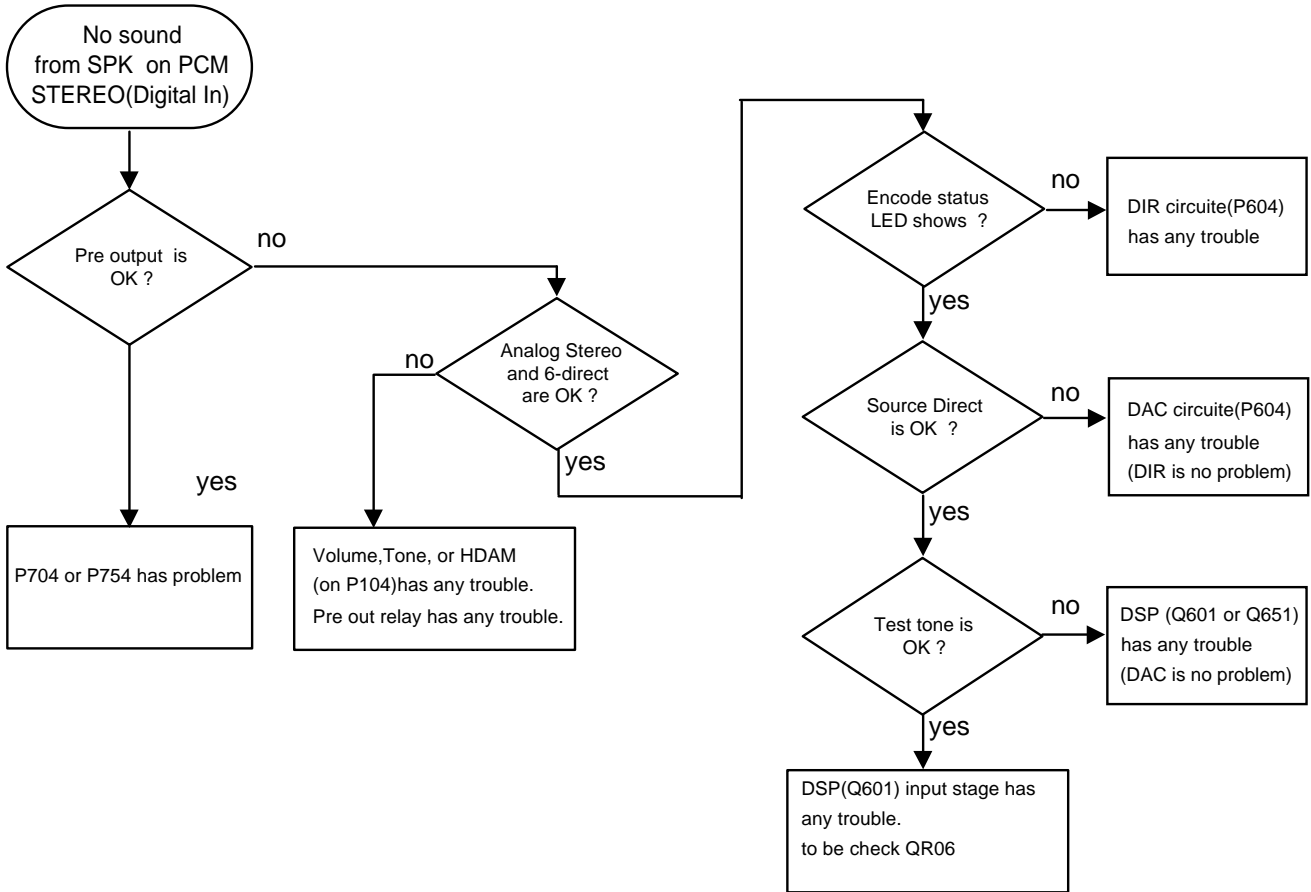
8. FM STEREO Separation Adjustment

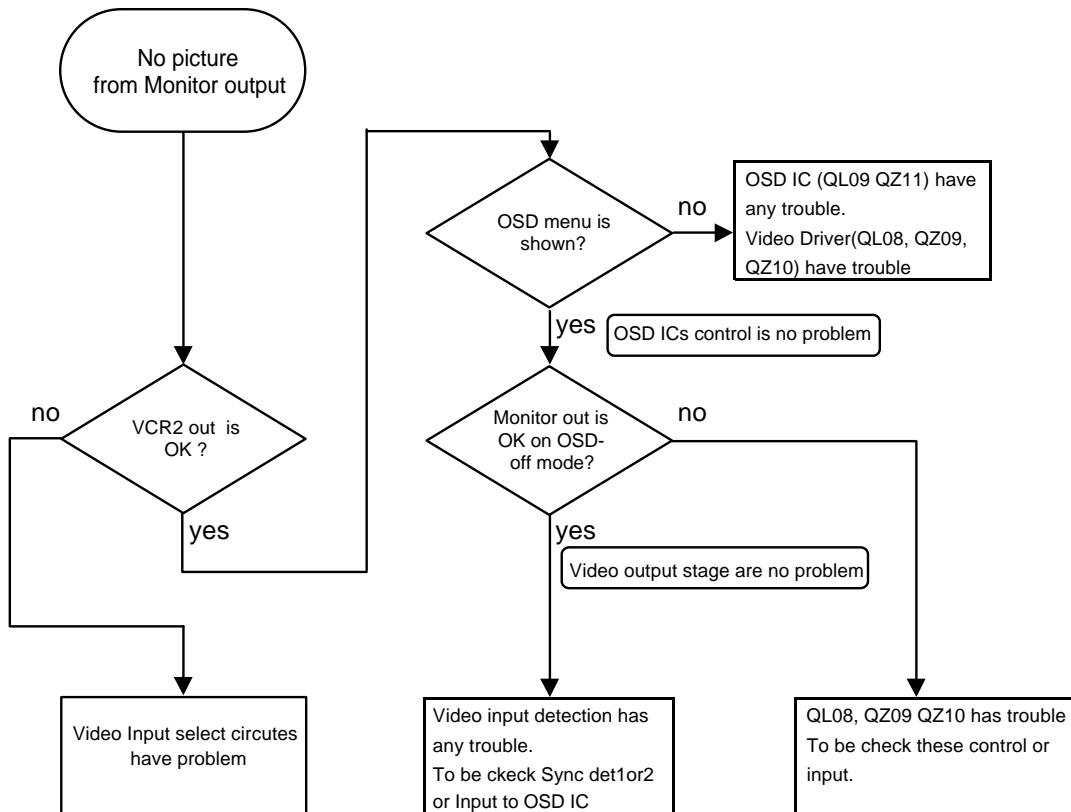
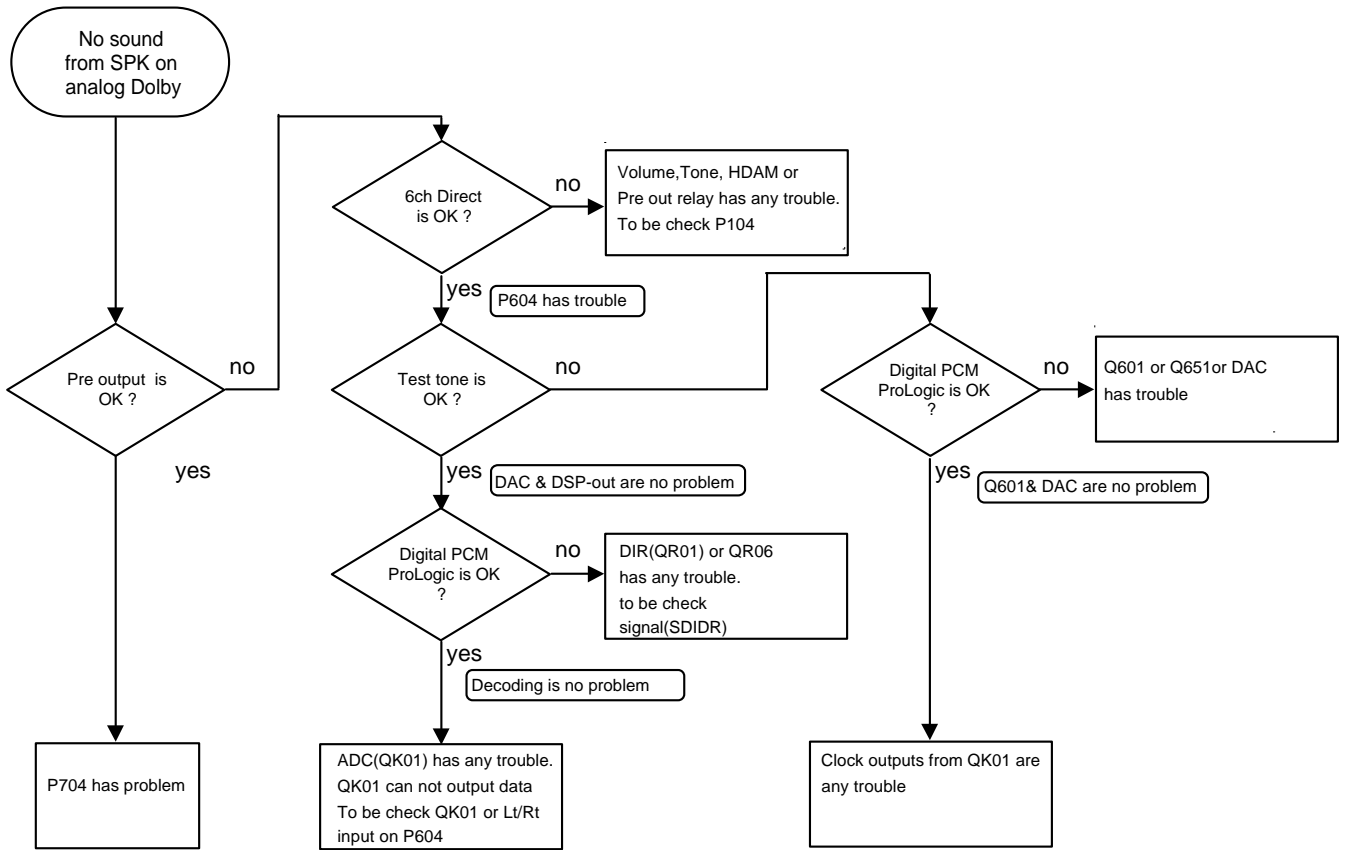
Step	Input Signal Source Connection	Signal Frequency	Source Signal Output Level and Modulation	Reception Frequency	Adjustment Point	Adjustment Value
1	Signal generator output to FM antenna terminal. (75 Ω)	98 MHz (K, S, U) 83 MHz (F)	same specification as FM STEREO distortion adjustment. Input only L channel .	98 MHz (P2) 83 MHz (P2)	R211	Output level Minimum at TAPE-OUT channel R
2		98 MHz (K, S, U) 83 MHz (F)	same specification as FM STEREO distortion adjustment. Input only R channel .	98 MHz (P2) 83 MHz (P2)	R211	Output level Similar as Rch at TAPE-OUT channel L



11. TROUBLE SHOOTING







12. TECHNICAL DESCRIPTION

This product has two DSP ICs, one is for Dolby Digital (AC-3) decoding or DTS (Digital Theater System) decoding, another is for THX processing.

Multi channel sound is reproduced by connecting with DVD player or LD player.

Also Dolby Pro Logic decode is available to analog audio and PCM digital audio.

Additionally, 96kHz PCM stereo audio playback is possible.

Decoding circuit is consist of 13 ICs (DIR, two DSP, ADC, five DAC, AC-3 RF demodulator, two data separator and CPU).

DOLBY DIGITAL (AC-3)

Dolby Digital delivers six totally separate (discrete) channels of sound. Like Dolby Surround Pro Logic, it includes Left, Center and Right channels across the front of the room. Dolby Surround Pro Logic provides a single limited-bandwidth (100 Hz to 7,000 Hz) surround channel which is typically played back in the home through two channels of amplification and two speakers. In comparison, Dolby Digital provides separate (discrete) left surround and right surround channels, for more precise localization of sounds and a more convincing, realistic ambience. And, with Dolby Digital, all five main channels are full range (3 Hz to 20,000 Hz). A subwoofer could be added to each channel, if desired.

The sixth channel, the Low Frequency Effects Channel, will, at times, contain additional bass information to maximize the impact of scenes such as explosions, crashes, etc. Because this channel has only a limited frequency response (3 Hz to 120 Hz), it is sometimes referred to as the “.1” channel. When added to the 5 full range channels, the Dolby Digital system is sometimes referred to as having “5.1” channels.

DTS

An amazing new technology for surround-sound entertainment, DTS Digital Surround is an encode/decode system that delivers six channels (5.1) of master-quality, 20-bit audio. In the encoding process, the DTS algorithm encrypts six channels of 20-bit digital audio information in the space previously allotted for only two channels of 16-bit linear PCM. Then during playback, the DTS decoder reconstructs the original six channels of 20-bit digital audio. Each of these six channels is audibly superior to the 16-bit linear PCM audio found on conventional compact discs.

THX ULTRA

Home THX Controller Technologies : Dubbing stages (where soundtracks are created) and movie theatres do not change their acoustics, equipment, or system equalization when mixing or playing back 5.1 channel sound tracks. They merely divide the surround array of speakers into two symmetrical arrays (hence the term “split surround”). All of the remaining system equalization and setup remains the same. The Home THX Technologies of Re-Equalization, Timbre Matching, and Decorrelation, as well as the Home THX Crossover are still necessary for 5.1 channel formats. Because of the nature of the split surround soundtrack, Home THX Timbre Matching and Decorrelation technologies have been altered to provide correct surround sound balance and spaciousness. Here is a representation of how Home THX Controller Technologies work with the various surround sound formats.

DIR (Digital audio Interface Receiver : QR01 / CS8414)

This circuit extract synchronized clock signals and data from SPDIF signal input.

QR01(CS8414) generates these signals, this chip supports 96kHz sample rate.

1st DSP (Digital Signal Processor for Dolby Digital, Pro Logic, DTS : Q601 / YSS912)

Q601(YSS912) decodes 6 channels audio from encoded data signal input.

Some effects are processed in addition to multi channel decoding on HALL, MATRIX, and MOVIE mode.

2nd DSP (Digital Signal Processor for THX processing : Q651 / ZR38600)

Q651(ZR38600) has the THX 5.1 processing functions. These functions include **Re-equalization, Surround Timbre-Matching, Adaptive Decorrelation, Bass Management, Bass Peak Level Manager, and Loudspeaker Position Time Synchronization.**

Re-equalization takes the edginess or “brightness” out of your home cinema sound, compensating for the fact that sound mixed for theatres will sound too bright when played back through flat response speakers in your home.

Timbre Matching matches the tone of your front speakers to your surrounds to compensate for the fact that only two surround speakers are used in a typical Home Theatre system instead of a full array as in a movie theatre.

Adaptive Decorrelation gives a stereo “feel” when your surrounds are playing mono and automatically switches off when they are playing stereo.

Bass Management Electronic Crossover allows you to use more compact, easier-to-place speakers, while sending bass to a subwoofer system, improving frequency response, lowering distortion and increasing dynamic range.

Bass Peak Level Manager protects your subwoofer from overloading due to the great amount of bass a 5.1 soundtrack delivers.

Loudspeaker Position Time Synchronization lets you easily set up your system for an optimum listening position, which is difficult to achieve within the space constraints of most homes.

ADC (Analog to Digital Converter : QK01 / CS5394)

CS5394 is a complete analog-to-digital converter for stereo digital audio systems. It performs sampling, analog-to-digital conversion and anti-alias filtering, generating 24 bit values for both left and right inputs in serial form.

DAC (Digital to Analog Converter : QD01, QD02, QD03 / AD1855)

The AD1855 is a high performance, single-chip stereo, audio DAC. There are five AD1855 chips on the board. Four chips are used for L, R, C, and Sub woofer channel individually. Another chip is used for Surround Left & Right.

CPU (Q691 / μ PD78018)

This chip controls some ICs in P604 and communicates with QU01. Connect to QU01 with serial interface lines.

13. ELECTRICAL PARTS LIST

ASSIGNMENT OF COMMON PARTS CODES.

RESISTORS

R***: 1) GD05xxx140, Carbon film fixed resistor, ±5% 1/4W

R***: 2) GD05xxx160, Carbon film fixed resistor, ±5% 1/6W

① — Resistance value

Examples ;

① Resistance value

0.1 Ω 001 10 Ω 100 1 kΩ 102 100 kΩ 104
 0.5 Ω 005 18 Ω 180 2.7 kΩ 272 680 kΩ 684
 1 Ω 010 100 Ω 101 10 kΩ 103 1 MΩ 105
 6.8 Ω 068 390 Ω 391 22 kΩ 223 4.7 MΩ 475

Note : Please distinguish 1/4W from 1/6W by the shape of parts used actually.

CAPACITORS

C***: CERAMIC CAP.

3) DD1xxx370, Ceramic capacitor
 Disc type
 Temp.coeff.P350 ~ N1000, 50V
 ② — Capacity value
 ③ — Tolerance

Examples ;

② Tolerance (Capacity deviation)

±0.25 pF 0
 ±0.5 pF 1
 ±5% 5

* Tolerance of COMMON PARTS handled here are as follows :

0.5 pF ~ 5 pF ±0.25 pF
 6 pF ~ 10 pF ±0.5 pF
 12 pF ~ 560 pF ±5%

③ Capacity value

0.5 pF 005 3 pF 030 100 pF 101
 1 pF 010 10 pF 100 220 pF 221
 1.5 pF 015 47 pF 470 560 pF 561

C***: CERAMIC CAP.

4) DK16xxx300, High dielectric constant ceramic capacitor
 Disc type
 Temp.chara. 2B4, 50V
 ④ — Capacity value

Examples ;

④ Capacity value

100 pF 101 1000 pF 102 10000 pF 103
 470 pF 471 2200 pF 222

C***: 5) ELECTROLY CAP. (⏏), 6) FILM CAP. (⏏)

5) EAxxx10, Electrolytic capacitor
 One-way lead type, Tolerance ±20%
 ⑤ — Working voltage
 ⑥ — Capacity value

Examples ;

⑤ Capacity value

0.1 μF 104 4.7 μF 475 100 μF 107
 0.33 μF 334 10 μF 106 330 μF 337
 1 μF 105 22 μF 226 1100 μF 118
 2200 μF 228

⑥ Working voltage

6.3V 006 25V 025
 10V 010 35V 035
 16V 016 50V 050

6) DF15xxx350 — Plastic film capacitor
 DF15xxx310 — One-way type, Mylar ±5% 50V
 DF16xxx310 — Plastic film capacitor
 One-way type, Mylar ±10% 50V
 ⑦ — Capacity value

Examples ;

⑦ Capacity value

0.001 μF (1000 pF) 102 0.1 μF 104
 0.0018 μF 182 0.56 μF 564
 0.01 μF 103 1 μF 105
 0.015 μF 153

NOTE : 1) The above CODES (R***, R***, C***, C*** and C***) are omitted on the schematic diagram in some case.

2) On the occasion, be confirmed the common parts on the parts list.

3) Refer to "Common Parts List" for the other common parts (RI05, DD4, DK4).

NOTE ON SAFETY FOR FUSIBLE RESISTOR :

The suppliers and their type numbers of fusible resistors are as follows;

1. KOA Corporation

Part No. (MJI)	Type No. (KOA)	Description
NH05xxx140	RF25SxxxxΩJ	(±5% 1/4W)
NH05xxx120	RF50SxxxxΩJ	(±5% 1/2W)
NH85xxx110	RF73B2AxxxxΩJ	(±5% 1/10W)
NH95xxx140	RF73B2ExxxxΩJ	(±5% 1/4W)

* Resistance value * Resistance value (0.1 Ω - 10 kΩ)

2. Matsushita Electronic Components Co., Ltd

Part No. (MJI)	Type No. (MEC)	Description
NF05xxx140	ERD-2FCJxxx	(±5% 1/4W)
RF05xxx140		
NF02xxx140	ERD-2FCGxxx	(±2% 1/4W)
RF02xxx140		

* Resistance value * Resistance value

Examples ;

* Resistance value

0.1 Ω 001 10 Ω 100 1 kΩ 102 100 kΩ 104
 0.5 Ω 005 18 Ω 180 2.7 kΩ 272 680 kΩ 684
 1 Ω 010 100 Ω 101 10 kΩ 103 1 MΩ 105
 6.8 Ω 068 390 Ω 391 22 kΩ 223 4.7 MΩ 475

ABBREVIATION AND MARKS

ANT. : ANTENNA	BATT. : BATTERY
CAP. : CAPACITOR	CER. : CERAMIC
CONN. : CONNECTING	DIG. : DIGITAL
HP : HEADPHONE	MIC. : MICROPHONE
μ-PRO : MICROPROCESSOR	REC. : RECORDING
RES. : RESISTOR	SPK : SPEAKER
SW : SWITCH	TRANSF. : TRANSFORMER
TRIM. : TRIMMING	TRS. : TRANSISTOR
VAR. : VARIABLE	X'TAL : CRYSTAL

NOTE ON SAFETY :

Symbol \blacktriangle Fire or electrical shock hazard. Only original parts should be used to replaced any part marked with symbol \blacktriangle . Any other component substitution (other than original type), may increase risk of fire or electrical shock hazard.

安全上の注意 :

\blacktriangle がついている部品は、安全上重要な部品です。必ず指定されている部品番号の部品を使用して下さい。

POS. NO	VERS. COLOR	PART NO. (FOR PCS)	DESCRIPTION	PART NO. (MJI)	POS. NO	VERS. COLOR	PART NO. (FOR PCS)	DESCRIPTION	PART NO. (MJI)
			P104-FM/AM TUNER TONE VOL.CIRCUIT BOARD P104-CAPACITORS						
CA01		4822 125 50384	TRIM. 20pF VCT51E	CT12000200	CF32		4822 124 22571	ELECT. 10µF 50V	OA10605020
CA02		4822 122 40306	CER. 0.047µF +80%-20% 50V	DK18473310	CF33		4822 124 90354	ELECT. 100µF 16V	OA10701620
CA03		4822 122 31823	CER. 15pF ±5% CH 50V BLK	DD15150300	CF34		4822 124 90354	ELECT. 100µF 16V	OA10701620
CA04		4822 121 42466	FILM 390pF 100V ECO-P	DF15391550	CF35		4822 122 30043	CER. 0.01µF +80%-20% 50V	DK18103310
CA05		4822 122 31205	CER. 47pF ±5% CH 50V BLK	DD15470300	CF36		4822 122 30043	CER. 0.01µF +80%-20% 50V	DK18103310
CA06		4822 122 30043	CER. 0.01µF +80%-20% 50V	DK18103310	CF37		4822 124 90354	ELECT. 100µF 16V	OA10701620
CA18		4822 124 22274	ELECT. 4.7µF M 50V RA-2	OA47505020	CF38		4822 124 90354	ELECT. 100µF 16V	OA10701620
					CF39		4822 122 30043	CER. 0.01µF +80%-20% 50V	DK18103310
					CF40		4822 122 30043	CER. 0.01µF +80%-20% 50V	DK18103310
CC07		4822 124 22571	ELECT. 10µF M 50V RA-2	OA10605020	CG51				
CC08		4822 124 22571	ELECT. 10µF M 50V RA-2	OA10605020	}		4822 124 22571	ELECT. 10µF M 50V RA-2	OA10605020
CC18		4822 124 22571	ELECT. 10µF M 50V RA-2	OA10605020	CG56				
CC23					CG57		4822 122 40617	CER. 0.1µF +80%-20% 50V DC	DD38104010
}		4822 124 22571	ELECT. 10µF M 50V RA-2	OA10605020	CG59		4822 124 90354	ELECT. 100µF 16V	OA10701620
CC26					CG60		4822 124 90354	ELECT. 100µF 16V	OA10701620
CC27	/S	4822 122 31205	CER. 47pF ±5% CH 50V BLK	DD15470300	CG61		4822 122 40617	CER. 0.1µF +80%-20% 50V DC	DD38104010
CC28	/S	4822 122 31205	CER. 47pF ±5% CH 50V BLK	DD15470300	CG62		4822 122 40617	CER. 0.1µF +80%-20% 50V DC	DD38104010
CC31		4822 124 90354	ELECT. 100µF M 16V RA-2	OA10701620	CG63				
CC32		4822 124 90354	ELECT. 100µF M 16V RA-2	OA10701620	}		4822 124 22571	ELECT. 10µF M 50V RA-2	OA10605020
CC33		4822 122 40617	CER. 0.1µF +80%-20% 50V	DD38104010	CG66				
CC34		4822 122 40617	CER. 0.1µF +80%-20% 50V	DD38104010	CG67		4822 122 40617	CER. 0.1µF +80%-20% 50V DC	DD38104010
CC35		4822 122 30043	CER. 0.01µF +80%-20% 50V	DK18103310	CG68		4822 122 40617	CER. 0.1µF +80%-20% 50V DC	DD38104010
CC36		4822 122 30043	CER. 0.01µF +80%-20% 50V	DK18103310	CG69		4822 124 90354	ELECT. 100µF M 16V	OA10701620
CC39		4822 122 30043	CER. 0.01µF +80%-20% 50V	DK18103310	CG70		4822 124 90354	ELECT. 100µF M 16V	OA10701620
CC40		4822 122 30043	CER. 0.01µF +80%-20% 50V	DK18103310	CG71		4822 122 40586	CER. 0.01µF ±20%	DA17103110
CC41		4822 122 30043	CER. 0.01µF +80%-20% 50V	DK18103310	CG72		4822 122 40586	CER. 0.01µF ±20%	DA17103110
CC42		4822 122 30043	CER. 0.01µF +80%-20% 50V	DK18103310					
CC43	/S	4822 122 40617	CER. 0.1µF +80%-20% 50V	DD38104010	CV01		4822 122 40617	CER. 0.1µF +80%-20% 50V DC	DD38104010
CC43	/U	4822 122 40617	CER. 0.1µF +80%-20% 50V	DD38104010	CV02		4822 122 40617	CER. 0.1µF +80%-20% 50V DC	DD38104010
CC44		4822 122 40617	CER. 0.1µF +80%-20% 50V	DD38104010					
CC47		4822 122 30043	CER. 0.01µF +80%-20% 50V	DK18103310	C201		4822 122 30043	CER. 0.01µF +80%-20% 50V	DK18103310
CC48		4822 122 30043	CER. 0.01µF +80%-20% 50V	DK18103310	C202		4822 122 30043	CER. 0.01µF +80%-20% 50V	DK18103310
CC51		4822 124 22571	ELECT. 10µF M 50V RA-2	OA10605020	C203		4822 122 40306	CER. 0.047µF +80%-20% 50V	DK18473310
CC52		4822 124 22571	ELECT. 10µF M 50V RA-2	OA10605020	C204		4822 122 40306	CER. 0.047µF +80%-20% 50V	DK18473310
CC55		4822 122 31237	CER. 82pF ±5% 50V	DD15820300	C205		4822 124 42182	ELECT. 3.3µF M 50V	OA33505020
CC56		4822 122 31237	CER. 82pF ±5% 50V	DD15820300	C206		4822 124 22571	ELECT. 10µF M 50V RA-2	OA10605020
CC57		4822 124 22571	ELECT. 10µF M 50V RA-2	OA10605020	C207		4822 124 90353	ELECT. 100µF M 10V RA-2	OA10701020
CC58		4822 124 22571	ELECT. 10µF M 50V RA-2	OA10605020	C208		4822 122 40306	CER. 0.047µF +80%-20% 50V	DK18473310
CC59		4822 124 90354	ELECT. 100µF 16V	OA10701620	C209		4822 124 22571	ELECT. 10µF M 50V RA-2	OA10605020
CC60		4822 124 90354	ELECT. 100µF 16V	OA10701620	C210		4822 122 30043	CER. 0.01µF +80%-20% 50V	DK18103310
CC61		4822 122 30043	CER. 0.01µF +80%-20% 50V	DK18103310	C211		4822 124 90357	ELECT. 2.2µF M 50V RA-2	OA22505020
CC62		4822 122 30043	CER. 0.01µF +80%-20% 50V	DK18103310	C212		4822 124 41543	ELECT. 1µF M 50V RA-2	OA10505020
CC71		4822 124 22571	ELECT. 10µF M 50V RA-2	OA10605020	C213		4822 124 22273	ELECT. 0.47µF M 50V RA-2	OA47405020
CC72		4822 124 22571	ELECT. 10µF M 50V RA-2	OA10605020	C214		4822 124 41539	ELECT. 47µF M 16V RA-2	OA47601620
CC75		9965 000 01344	FILM 100pF ±5% 100V APSV	OF15101540	C215		4822 122 40306	CER. 0.047µF +80%-20% 50V	DK18473310
CC76		9965 000 01344	FILM 100pF ±5% 100V APSV	OF15101540	C216		4822 124 90354	ELECT. 100µF M 16V RA-2	OA10701620
CC77		4822 124 23112	ELECT. 10µF 16V	EQ10601630	C218		4822 122 30043	CER. 0.01µF +80%-20% 50V	DK18103310
CC78		4822 124 23112	ELECT. 10µF 16V	EQ10601630	C219		4822 124 22571	ELECT. 10µF M 50V RA-2	OA10605020
CC79		4822 124 90354	ELECT. 100µF M 16V RA-2	OA10701620	C223		4822 122 40586	CER. 0.01µF ±20%	DA17103110
CC80		4822 122 30043	CER. 10pF +80%-20% 50V	DK18103310	C225		4822 122 30043	CER. 0.01µF +80%-20% 50V	DK18103310
CC81		4822 124 90354	ELECT. 100µF M 16V RA-2	OA10701620	C226		4822 122 40586	CER. 0.01µF ±20%	DA17103110
CC82		4822 122 30043	CER. 0.01µF +80%-20% 50V	DK18103310	C233		4822 122 30043	CER. 0.01µF +80%-20% 50V	DK18103310
CF01		4822 124 90358	ELECT. 22µF M 16V	OA22601620	C234		4822 124 22274	ELECT. 4.7µF M 50V RA-2	OA47505020
CF02		4822 124 90358	ELECT. 22µF M 16V	OA22601620	C235		4822 122 30043	CER. 0.01µF +80%-20% 50V	DK18103310
CF03		4822 122 31237	CER. 82pF ±5% 50V	DD15820300	C236		4822 122 30043	CER. 0.01µF +80%-20% 50V	DK18103310
CF04		4822 122 31237	CER. 82pF ±5% 50V	DD15820300	C237		4822 122 30043	CER. 0.01µF +80%-20% 50V	DK18103310
CF05		4822 124 22571	ELECT. 10µF 50V	OA10605020					
CF06		4822 124 22571	ELECT. 10µF 50V	OA10605020	C303		4822 124 22571	ELECT. 10µF M 50V RA-2	OA10605020
CF15		4822 124 22571	ELECT. 10µF 50V	OA10605020	C304		4822 124 22571	ELECT. 10µF M 50V RA-2	OA10605020
CF16		4822 124 22571	ELECT. 10µF 50V	OA10605020	C305	/K, /S	4822 124 22274	ELECT. 4.7µF M 50V RA-2	OA47505020
CF17		4822 124 90358	ELECT. 22µF M 16V	OA22601620	C305	/U		JUMPER	75060501P0
CF18		4822 124 90358	ELECT. 22µF M 16V	OA22601620	C306	/K, /S	4822 124 22274	ELECT. 4.7µF M 50V RA-2	OA47505020
CF19		4822 126 10364	CER. 100pF ±10%	DA16101110	C306	/U		JUMPER	75060501P0
CF20		4822 126 10364	CER. 100pF ±10%	DA16101110	C311		4822 124 22274	ELECT. 4.7µF M 50V RA-2	OA47505020
CF21		4822 124 22571	ELECT. 10µF 50V	OA10605020	C312		4822 124 22274	ELECT. 4.7µF M 50V RA-2	OA47505020
CF22		4822 124 22571	ELECT. 10µF 50V	OA10605020	C313	/K, /S	4822 124 41539	ELECT. 47µF M 16V RA-2	OA47601620
CF31		4822 124 22571	ELECT. 10µF 50V	OA10605020	C314	/K, /S	4822 124 41539	ELECT. 47µF M 16V RA-2	OA47601620
					C315	/K, /S	4822 122 30043	CER. 0.01µF +80%-20% 50V	DK18103310
					C316	/K, /S	4822 122 30043	CER. 0.01µF +80%-20% 50V	DK18103310

POS. NO	VERS. COLOR	PART NO. (FOR PCS)	DESCRIPTION	PART NO. (MJI)
C351	/S	4822 122 40586	CER. 0.01μF ±20% 50V	DA17103110
C352	/S	4822 124 22571	ELECT. 10μF M 50V RA-2	OA10605020
C356	/S	4822 126 11553	CER. 15pF ±5% 50V	DA15150120
C357	/S	4822 126 11553	CER. 15pF ±5% 50V	DA15150120
C358	/S	4822 124 22571	ELECT. 10μF M 50V RA-2	OA10605020
C361	}	4822 126 10364	CER. 100pF ±10%	DA16101110
C364				
C365	/S	4822 124 41539	ELECT. 47μF M 16V	OA47601620
C366	/S	4822 124 41543	ELECT. 1μF M 50V RA-2	OA10505020
C373	/S	4822 122 30043	CER. 0.01μF +80%-20% 50V	DK18103310
C374	/S	4822 122 40617	CER. 0.1μF +80%-20% 50V	DD38104010
C501		4822 122 31205	CER. 47pF ±5% CH 50V BLK	DD15470300
C502		4822 122 31205	CER. 47pF ±5% CH 50V BLK	DD15470300
C503		4822 124 90353	ELECT. 100μF M 10V RA-2	OA10701020
C504		4822 122 30043	CER. 0.01μF +80%-20% 50V	DK18103310
C505		4822 124 90357	ELECT. 2.2μF M 50V	OA22505020
C507		4822 122 30043	CER. 0.01μF +80%-20% 50V	DK18103310
C508		4822 124 90354	ELECT. 100μF M 16V RA-2	OA10701620
C511		4822 122 30043	CER. 0.01μF +80%-20% 50V	DK18103310
C***			P104-CAPACITORS (COMMON) HIGH DIELECTRIC CONSTANT CER. CAPACITOR ±10% 50V : C220 C222 C227[U] C317[/K,/S] C318[/K,/S] C353[/S] C354[/S] C367 C368 C371 C372 C510 CC83 CC89-CC92[/S] CV03 CV05-CV07	
C***			PLASTIC FILM CAPACITOR ±5% 50V : C217 C301 C302 C309[/K] C310[/K] CC01-CC04 CC14-C17 CC75 CC76 CF07-CF14 CF23-CF30	
RA11		4822 100 11351	P104-RESISTORS TRIM. 10kΩ RH0638CJ4R	RA01030780
RC01			JUMPER	75060501P0
RC02			JUMPER	75060501P0
RC16			JUMPER	75060501P0
RC19			JUMPER	75060501P0
RC51			JUMPER	75060501P0
RC52			JUMPER	75060501P0
RC91			JUMPER	75061251P0
RC92			JUMPER	75061251P0
RF37			JUMPER	75060501P0
RF38			JUMPER	75060501P0
RF39			JUMPER	75060501P0
RF40			JUMPER	75060501P0
RG55			JUMPER	75060501P0
RG56			JUMPER	75060501P0
RG59			JUMPER	75060501P0
RG60			JUMPER	75060501P0
▲ R101	/U	4822 050 21003	10kΩ ±5% 1/2W	GG05103120
R201	/U		JUMPER	75060501P0
▲ R207		4822 050 21801	180Ω ±5% 1/4W	GG05181140
R211	/K, /S	4822 100 11352	TRIM. 22kΩ RH0638CJ4R	RA02230780
R211	/U	4822 100 11351	TRIM. 10kΩ RH0638CS3R	RA01030780
R212		4822 100 11351	TRIM. 10kΩ RH0638CS3R	RA01030780
▲ R217		4822 050 21801	180Ω ±5% 1/4W	GG05181140
R301	/U		JUMPER	75060501P0
R302	/U		JUMPER	75060501P0
R303	/U		JUMPER	75060501P0
R304	/U		JUMPER	75060501P0
▲ R313	/K, /S	4822 116 83929	220Ω ±5% 1/4W	GG05221140
▲ R314	/K, /S	4822 116 83929	220Ω ±5% 1/4W	GG05221140

POS. NO	VERS. COLOR	PART NO. (FOR PCS)	DESCRIPTION	PART NO. (MJI)
R356	/S	4822 053 10471	470Ω ±5% 1W	GA05471010
▲ R512		4822 053 10271	270Ω ±5% 1W	GA05271010
R***			P104-RESISTORS (COMMON) CARBON FILM FIXED RES. ±5% 1/6W : R201[/K,/S] R202-R206 R208-R210 R213-R216 R220 R221[/S] R301-R304[/N,/S] R307-R310 R315 R316 R352-R354[/S] R357[/S] R502 R504-R507 R508[/S] R509-R511 R513 R515 RA01 RA02 RC03-RC18 RC20-RC33 RC35-RC42 RC53-RC62 RC71-RC82 RF01-RF36 RF39-RF46 RF48 RF49 RG51-RG54 RV01-RV14	
DA01		4822 125 50416	VARICAP SVC342-L	HD40009030
DA02			JUMPER	75060501P0
DA05		4822 130 32362	DIODE 1SS176 MA165 1SS254 30V 0.1A	HD20002000
DA06		4822 130 32362	DIODE 1SS176 MA165 1SS254 30V 0.1A	HD20002000
DF01		4822 130 32362	DIODE 1SS176 MA165 1SS254 30V 0.1A	HD20002000
DF02		4822 130 32362	DIODE 1SS176 MA165 1SS254 30V 0.1A	HD20002000
DF03		9965 000 01363	DIODE 1SS201	HE10201050
DF04		9965 000 01363	DIODE 1SS201	HE10201050
DV05	}	4822 130 32362	DIODE 1SS176 MA165 1SS254 30V 0.1A	HD20002000
DV13				
D201		4822 130 32362	DIODE 1SS176 MA165 1SS254 30V 0.1A	HD20002000
D202		4822 130 80319	ZENER DIODE 9.1V	HD30911000
D351	/S	4822 130 80317	ZENER DIODE 5.1V	HD30511000
D501		4822 130 80317	ZENER DIODE 5.1V	HD30511000
D516		4822 130 32362	DIODE 1S133	HD20002000
QC01	}	4822 209 73064	IC NJM2068DD	HC10053090
QC05				
QC06		4822 209 32554	IC LC78213	HC10310030
QC07		4822 209 62784	IC TC9215P	HC10262050
QC51		4822 209 73064	IC NJM2068DD	HC10053090
QC71		4822 209 31153	IC NJM2114D	HC10111090
QC72		4822 209 62784	IC TC9215P ANALOGUE SW.	HC10262050
QF01		4822 209 31153	IC NJM2114D	HC10111090
QF02		9965 000 01365	IC TC9184AP ELE.TONE	HC10444050
QF03		4822 209 73064	IC NJM2068DD	HC10053090
QF04		9965 000 01365	IC TC9184AP ELE.TONE	HC10444050
QG51		9965 000 01373	IC TC9459F ELE-VOL. BULK	HC10449050
QG52		9965 000 01373	IC TC9459F ELE-VOL. BULK	HC10449050
QG53		9965 000 01373	IC TC9459F ELE-VOL. BULK	HC10449050
QG54		4822 209 17155	IC NJM2068M	HC10102090
QG55		4822 209 17155	IC NJM2068M	HC10102090
QV01		4822 209 90532	IC NJU3713D	HC10161090
QV02	}	4822 130 61227	DIG. TRS. DTA114ES ETC	BA10001000
QV05				
QV06		4822 130 60588	DIG. TRS. DTC114ES UN4211 10k 10k	BA20001000
QV07	}	4822 130 43818	TRS. 2SC2878 A OR BRANK	HT328782A0
QV12				
Q201		9965 000 01369	IC LA1837 FM/AM IF/MPX IC	HC10384030

POS. NO	VERS. COLOR	PART NO. (FOR PCS)	DESCRIPTION	PART NO. (MJI)	POS. NO	VERS. COLOR	PART NO. (FOR PCS)	DESCRIPTION	PART NO. (MJI)
Q202		4822 130 62294	TRS.2SC1809S P 150MW 500MHz	HT318091P0	CD17		4822 124 21894	ELECT. 10µF 16V	EJ10601610
Q203		4822 130 61227	DIG.TRS. DTA114ES UN4111 10k 10k	BA10001000	CD18		4822 124 21894	ELECT. 10µF 16V	EJ10601610
Q204		4822 130 42594	DIG.TRS. DTC144ES UN4213 47k 47k	BA20002000	CD19		4822 124 21894	ELECT. 10µF 16V	EJ10601610
Q209	/S	4822 130 41947	TRS.2SC2458 2SC1740S 2SC3199 ETC	HT30001000	CD21		4822 124 90353	ELECT. 100µF M 10V RA-2	OA10701020
Q301	/K,/S	4822 209 83631	IC NJM4558D-D	HC10008090	CD22		4822 124 90353	ELECT. 100µF M 10V RA-2	OA10701020
Q351	/S	4822 209 16175	IC LC72720L RDS DECODER	HC10385030	CD23		4822 124 90353	ELECT. 100µF M 10V RA-2	OA10701020
Q352	/S	4822 130 61227	DIG.TRS. DTA114ES UN4111 10k 10k	BA10001000	CD25		4822 126 11687	CER. CHIP 0.1µF +80%-20%	DK98104200
Q353	/S	4822 130 60588	DIG.TRS. DTC114ES UN4211 10k 10k	BA20001000	CD26		4822 126 11687	CER. CHIP 0.1µF +80%-20%	DK98104200
Q501		9965 000 01370	IC LC72130	HC10394030	CD27		4822 126 11687	CER. CHIP 0.1µF +80%-20%	DK98104200
A101	/K,/S U	9965 000 01368	P104-MISCELLANEOUS VHF TUNER TFFJ4E	AV00903010	CD29		5322 126 11578	CER. CHIP 1000pF ±10% 50V	DK96102300
FA01			CER. FILTER SFZ450JL3 451K	FF10045410	CD30		5322 126 11578	CER. CHIP 1000pF ±10% 50V	DK96102300
F201	/K	4822 242 70665	CER. FILTER SFE10.7MS3-A	FF11070620	CD31		5322 126 11578	CER. CHIP 1000pF ±10% 50V	DK96102300
F201	/S	4822 242 70665	CER. FILTER SFE10.7MS3-A	FF11070620	CD81				
F201	/U	4822 242 70911	CER. FILTER SFF10.7MA8-A	FF11070610	}		4822 126 11703	CER. CHIP 0.01µF +80%-20%	DK98103300
F202		4822 242 70665	CER. FILTER SFE10.7MS3-A	FF11070620	CD92				
JC05			TERMINAL 2P DIRECT IN NI BL/BL CNT.SWF	YT02021580	CD93				
JC06			TERMINAL YKC21-3834 NI W/R S URR.IN L/R	YT02021570	CD96		9965 000 01318	ELECT. 220µF M 10V RA-2	OA22701020
J101		4822 290 81632	TERMINAL YKD31-0215A FM/AM ANT PAL	YT03030020	CD97		4822 124 41535	ELECT. 100µF M 25V RA-2	OA10702520
LA01		4822 157 63084	MW ANT COIL 280µH	LA10295170	CD98		4822 124 41535	ELECT. 100µF M 25V RA-2	OA10702520
LA02		4822 157 70779	OSC. COIL MW	LO70013010	CH05				
LA05		4822 157 53589	CHOKE COIL 39MH J	LC23960710	}		4822 121 10792	FILM 220pF ±5% 100V	OF15221540
LA06		4822 148 81095	I.F.T. COIL AM IFT K7-H5 FOR SFP450D	LI70033510	CH08				
L201		4822 157 63904	I.F.T. COIL FM DET M292BEAS-5968Z	LI70376010	CH12		4822 116 82487	CHIP 0Ω ±5% 1/16W	NN05000610
L301		4822 157 71731	M.P.X. COIL LPF-V10-A1 19/38KHz	LS10293020	CH14		4822 124 41539	ELECT. 47µF M 16V RA-2	OA47601620
L302		4822 157 71731	M.P.X. COIL LPF-V10-A1 19/38KHz	LS10293020	CH15				
L350					}		4822 126 11687	CER. CHIP 0.1µF +80%-20%	DK98104200
L356	/S	4822 157 62911	CHOKE COIL 3.3µH LAL02TA3R3J	LC13323800	CH18				
L359	/S	4822 157 62911	CHOKE COIL 3.3µH LAL02TA3R3J	LC13323800	CH24		4822 116 82487	CHIP 0Ω ±5% 1/16W	NN05000610
L501					CH26		4822 124 41539	ELECT. 47µF M 16V RA-2	OA47601620
L504		4822 157 70813	CHOKE COIL 47µH LAL02TA470J	LC14733800	CH27		4822 126 11687	CER. CHIP 0.1µF +80%-20%	DK98104200
S301	/K	4822 277 21712	SLIDE SWITCH ALPS SSSS92	SS02021470	CH28		4822 126 11687	CER. CHIP 0.1µF +80%-20%	DK98104200
X351	/S	4822 242 10857	CRYSTAL 4.332MHz AT-49	JX04003260	CH28		4822 126 11687	CER. CHIP 0.1µF +80%-20%	DK98104200
X501		4822 242 72333	CRYSTAL AD0618CTB 7.2MHz	JX07001260	CH31		4822 124 41535	ELECT. 100µF M 25V RA-2	OA10702520
CD01		4822 126 11687	P604-AC-3 DTS&THX DECODE CIRCUIT BOARD CER. CHIP 0.1µF +80%-20% GRM39F104Z16	DK98104200	CH32		4822 124 41535	ELECT. 100µF M 25V RA-2	OA10702520
CD02		4822 126 11687	CER. CHIP 0.1µF +80%-20% GRM39F104Z16	DK98104200	CH33		4822 126 11687	CER. CHIP 0.1µF +80%-20%	DK98104200
CD03		4822 126 11687	CER. CHIP 0.1µF +80%-20% GRM39F104Z16	DK98104200	CH34		4822 126 11687	CER. CHIP 0.1µF +80%-20%	DK98104200
CD05		4822 124 90353	ELECT. 100µF M 10V RA-2	OA10701020	CH35		4822 122 33761	CER. CHIP 22pF ±5% CG50V	DD95220300
CD06		4822 124 90353	ELECT. 100µF M 10V RA-2	OA10701020	CH36		4822 122 33761	CER. CHIP 22pF ±5% CG50V	DD95220300
CD07		4822 124 90353	ELECT. 100µF M 10V RA-2	OA10701020	CH55				
CD09		4822 124 21894	ELECT. 10µF 16V	EJ10601610	}		4822 121 10792	FILM 220pF ±5% 100V	OF15221540
CD10		4822 124 21894	ELECT. 10µF 16V	EJ10601610	CH58				
CD11		4822 124 21894	ELECT. 10µF 16V	EJ10601610	CH62		4822 116 82487	CHIP 0Ω ±5% 1/16W	NN05000610
CD13		4822 126 11687	CER. CHIP 0.1µF +80%-20%	DK98104200	CH64		4822 124 41539	ELECT. 47µF M 16V RA-2	OA47601620
CD14		4822 126 11687	CER. CHIP 0.1µF +80%-20%	DK98104200	CH65				
CD15		4822 126 11687	CER. CHIP 0.1µF +80%-20%	DK98104200	}		4822 126 11687	CER. CHIP 0.1µF +80%-20%	DK98104200
					CH68				
					CH74		4822 116 82487	CHIP 0Ω ±5% 1/16W	NN05000610
					CH76		4822 124 41539	ELECT. 47µF M 16V RA-2	OA47601620
					CH77		4822 126 11687	CER. CHIP 0.1µF +80%-20%	DK98104200
					CH78		4822 126 11687	CER. CHIP 0.1µF +80%-20%	DK98104200
					CH81		4822 124 41535	ELECT. 100µF M 25V RA-2	OA10702520
					CH82		4822 124 41535	ELECT. 100µF M 25V RA-2	OA10702520
					CH83		4822 126 11687	CER. CHIP 0.1µF +80%-20%	DK98104200
					CH84		4822 126 11687	CER. CHIP 0.1µF +80%-20%	DK98104200
					CH85		4822 122 33761	CER. CHIP 22pF ±5% CG50V	DD95220300
					CH86		4822 122 33761	CER. CHIP 22pF ±5% CG50V	DD95220300
					CJ05				
					}		4822 121 10792	FILM 220pF ±5% 100V	OF15221540
					CJ08				
					CJ11		4822 124 41539	ELECT. 47µF M 16V RA-2	OA47601620
					CJ12		4822 124 41539	ELECT. 47µF M 16V RA-2	OA47601620
					CJ13				
					}		4822 126 11687	CER. CHIP 0.1µF +80%-20%	DK98104200
					CJ16				
					CJ17		4822 122 33761	CER. CHIP 22pF ±5% CG50V	DD95220300
					CJ18		4822 122 33761	CER. CHIP 22pF ±5% CG50V	DD95220300
					CJ21		4822 124 41535	ELECT. 100µF M 25V RA-2	OA10702520
					CJ22		4822 124 41535	ELECT. 100µF M 25V RA-2	OA10702520

POS. NO	VERS. COLOR	PART NO. (FOR PCS)	DESCRIPTION	PART NO. (MJI)	POS. NO	VERS. COLOR	PART NO. (FOR PCS)	DESCRIPTION	PART NO. (MJI)
CJ23		4822 126 11687	CER. CHIP 0.1μF +80%-20%	DK98104200	C609		4822 122 33761	CER. CHIP 22pF ±5% CG 50V	DD95220300
CJ24		4822 126 11687	CER. CHIP 0.1μF +80%-20%	DK98104200	C610		4822 126 11687	CER. CHIP 0.1μF +80%-20%	DK98104200
CK01		4822 124 90352	ELECT. 10μF M 16V RA-2	OA10601620	C611		4822 124 90353	ELECT. 100μF M 10V RA-2	OA10701020
CK04					C612		4822 126 11668	CER. CHIP 470pF ±10%	DK96471300
CK05		4822 126 11696	CER. CHIP 470pF ±5% SL	DD95471370	C613		4822 126 11687	CER. CHIP 0.1μF +80%-20%	DK98104200
CK08					C614		4822 126 11687	CER. CHIP 0.1μF +80%-20%	DK98104200
CK11		4822 126 11687	CER. CHIP 0.1μF +80%-20%	DK98104200	C615		4822 126 11687	CER. CHIP 0.1μF +80%-20%	DK98104200
CK20					C616		5322 126 11583	CER. CHIP 0.01μF ±10% B 25V	DK96103200
CK21		4822 124 90353	ELECT. 100μF M 10V RA-2	OA10701020	C617		4822 126 11687	CER. CHIP 0.1μF +80%-20%	DK98104200
CK22		4822 124 21894	ELECT. 10μF 16V	EJ10601610	C618		4822 126 11687	CER. CHIP 0.1μF +80%-20%	DK98104200
CK23		4822 126 11687	CER. CHIP 0.1μF +80%-20%	DK98104200	C619		4822 124 90353	ELECT. 100μF M 10V RA-2	OA10701020
CK24		5322 126 11583	CER. CHIP 0.01μF ±10% B 25V	DK96103200	C620		4822 124 90353	ELECT. 100μF M 10V RA-2	OA10701020
CK25		4822 124 90353	ELECT. 100μF M 10V RA-2	OA10701020	C621		4822 126 11687	CER. CHIP 0.1μF +80%-20%	DK98104200
CK26		4822 124 90353	ELECT. 100μF M 10V RA-2	OA10701020	C622		4822 124 90353	ELECT. 100μF M 10V RA-2	OA10701020
CK27		4822 126 11687	CER. CHIP 0.1μF +80%-20%	DK98104200	C623		4822 126 11687	CER. CHIP 0.1μF +80%-20%	DK98104200
CK28		4822 126 11687	CER. CHIP 0.1μF +80%-20%	DK98104200	C624		4822 126 11687	CER. CHIP 0.1μF +80%-20%	DK98104200
CK30		4822 126 11687	CER. CHIP 0.1μF +80%-20%	DK98104200	C625		4822 126 11687	CER. CHIP 0.1μF +80%-20%	DK98104200
CK31		4822 126 11687	CER. CHIP 0.1μF +80%-20%	DK98104200	C651		4822 126 11703	CER. CHIP 0.01μF +80%-20%	DK98103300
CK33		4822 124 41535	ELECT. 100μF M 25V RA-2	OA10702520	C652		4822 126 11703	CER. CHIP 0.01μF +80%-20%	DK98103300
CK34		4822 124 41535	ELECT. 100μF M 25V RA-2	OA10702520	C653		4822 124 90353	ELECT. 100μF M 10V RA-2	OA10701020
CK35		4822 126 11687	CER. CHIP 0.1μF +80%-20%	DK98104200	C654		4822 126 11687	CER. CHIP 0.1μF +80%-20%	DK98104200
CK40					C655		4822 126 11687	CER. CHIP 0.1μF +80%-20%	DK98104200
CK41		4822 124 21894	ELECT. 10μF 16V	EJ10601610	C656		4822 126 11687	CER. CHIP 0.1μF +80%-20%	DK98104200
CK42		4822 124 21894	ELECT. 10μF 16V	EJ10601610	C657		4822 124 90353	ELECT. 100μF M 10V RA-2	OA10701020
CK43		4822 124 41539	ELECT. 47μF M 16V RA-2	OA47601620	C658		4822 126 11687	CER. CHIP 0.1μF +80%-20%	DK98104200
CK44		4822 124 41539	ELECT. 47μF M 16V RA-2	OA47601620	C662				
CK45		4822 122 33761	CER. CHIP 22pF ±5% CG50V	DD95220300	C663		4822 126 13396	CER. CHIP 0.047μF ±10%	DK96473200
CK46		4822 122 33761	CER. CHIP 22pF ±5% CG50V	DD95220300	C664		4822 126 11687	CER. CHIP 0.1μF +80%-20%	DK98104200
CR01		4822 126 11687	CER. CHIP 0.1μF +80%-20%	DK98104200	C666		4822 126 11687	CER. CHIP 0.1μF +80%-20%	DK98104200
CR02		4822 124 90353	ELECT. 100μF M 10V RA-2	OA10701020	C667		4822 124 90353	ELECT. 100μF M 10V RA-2	OA10701020
CR03		4822 126 11687	CER. CHIP 0.1μF +80%-20%	DK98104200	C668		4822 126 11687	CER. CHIP 0.1μF +80%-20%	DK98104200
CR04		4822 124 90353	ELECT. 100μF M 10V RA-2	OA10701020	C669		4822 126 14417	CER. CHIP 0.01μF ±10% 50V	DK96103300
CR05		4822 126 11687	CER. CHIP 0.1μF +80%-20%	DK98104200	C670		4822 126 11687	CER. CHIP 0.1μF +80%-20%	DK98104200
CR06		4822 124 90353	ELECT. 100μF M 10V RA-2	OA10701020	C680		4822 126 11687	CER. CHIP 0.1μF +80%-20%	DK98104200
CR07		4822 126 13837	CER. CHIP 0.1μF ±10% B 10V	DK96104200	C691		4822 126 14417	CER. CHIP 0.01μF ±10% 50V	DK96103300
CR08		4822 126 11687	CER. CHIP 0.1μF +80%-20%	DK98104200	C692		4822 126 11687	CER. CHIP 0.1μF +80%-20%	DK98104200
CR10		4822 126 11568	CER. CHIP 470pF ±10% 50V	DK96471300	C693		4822 126 11687	CER. CHIP 0.1μF +80%-20%	DK98104200
CR11		4822 126 13837	CER. CHIP 0.1μF ±10% B 10V	DK96104200	C694		4822 124 90353	ELECT. 100μF M 10V RA-2	OA10701020
CR12		4822 126 13837	CER. CHIP 0.1μF ±10% B 10V	DK96104200	C695		4822 126 11687	CER. CHIP 0.1μF +80%-20%	DK98104200
CR13		4822 126 11687	CER. CHIP 0.1μF +80%-20%	DK98104200	C696		5322 126 11583	CER. CHIP 0.01μF ±10% B 25V	DK96103200
CR14		4822 126 11687	CER. CHIP 0.1μF +80%-20%	DK98104200	C697		5322 126 11583	CER. CHIP 0.01μF ±10% B 25V	DK96103200
CR15		4822 124 90353	ELECT. 100μF M 10V RA-2	OA10701020	P604-CAPACITORS (COMMON) PLASTIC FILM CAPACITOR ±5% 50V : CH01-CH04 CH13 CH25 CH51-CH54 CH63 CH75 CJ01-CJ04 CJ09 CJ10 CK09 CK10 CR19				
CR16		4822 126 11687	CER. CHIP 0.1μF +80%-20%	DK98104200					
CR17		4822 124 90353	ELECT. 100μF M 10V RA-2	OA10701020					
CR18		4822 126 11687	CER. CHIP 0.1μF +80%-20%	DK98104200					
CR20		5322 126 11583	CER. CHIP 0.01μF ±10% B 25V	DK96103200					
CR21		5322 126 11583	CER. CHIP 0.01μF ±10% B 25V	DK96103200					
CR22		4822 126 11687	CER. CHIP 0.1μF +80%-20%	DK98104200					
CR23		4822 126 11687	CER. CHIP 0.1μF +80%-20%	DK98104200					
CR25		4822 126 11687	CER. CHIP 0.1μF +80%-20%	DK98104200					
CR26		4822 126 11703	CER. CHIP 0.01μF +80%-20%	DK98103300					
CR27		4822 126 11703	CER. CHIP 0.01μF +80%-20%	DK98103300					
CR28		4822 124 90353	ELECT. 100μF M 10V RA-2	OA10701020	P604-RESISTORS CHIP 10kΩ ±5% 1/16W CHIP 10kΩ ±5% 1/16W CHIP 10kΩ ±5% 1/16W CHIP 0Ω ±5% 1/16W CHIP 0Ω ±5% 1/16W CHIP 0Ω ±5% 1/16W CHIP 0Ω ±5% 1/16W CHIP 1.8kΩ ±5% 1/16W CHIP 2.2kΩ ±5% 1/16W CHIP 2.2kΩ ±5% 1/16W CHIP 2.2kΩ ±5% 1/16W CHIP 1.5kΩ ±5% 1/16W CHIP 4.7kΩ ±5% 1/16W				
CR29		4822 126 11687	CER. CHIP 0.1μF +80%-20%	DK98104200					
CR30		5322 126 11578	CER. CHIP 1000pF ±10% B 50V	DK96102300					
C601		4822 126 11703	CER. CHIP 0.01μF +80%-20%	DK98103300					
C602		4822 126 11703	CER. CHIP 0.01μF +80%-20%	DK98103300					
C603		4822 124 90353	ELECT. 100μF M 10V RA-2	OA10701020					
C604		4822 126 11703	CER. CHIP 0.01μF +80%-20%	DK98103300					
C605		4822 126 11703	CER. CHIP 0.01μF +80%-20%	DK98103300					
C606		4822 124 90353	ELECT. 100μF M 10V RA-2	OA10701020					
C607		4822 126 11687	CER. CHIP 0.1μF +80%-20%	DK98104200					
C608		4822 122 33761	CER. CHIP 22pF ±5% CG 50V	DD95220300					

POS. NO	VERS. COLOR	PART NO. (FOR PCS)	DESCRIPTION	PART NO. (MJI)	POS. NO	VERS. COLOR	PART NO. (FOR PCS)	DESCRIPTION	PART NO. (MJI)
RH23		4822 051 30472	CHIP 4.7kΩ ±5% 1/16W	NN05472610	RR01		4822 051 30759	CHIP 75Ω ±5% 1/16W	NN05750610
RH24		4822 051 30101	CHIP 100Ω ±5% 1/16W	NN05101610	RR02		4822 051 30759	CHIP 75Ω ±5% 1/16W	NN05750610
RH25		4822 051 30104	CHIP 100kΩ ±5% 1/16W	NN05104610	RR03		4822 051 30104	CHIP 100kΩ ±5% 1/16W	NN05104610
RH26		4822 051 30222	CHIP 2.2kΩ ±5% 1/16W	NN05222610	RR04		4822 051 30104	CHIP 100kΩ ±5% 1/16W	NN05104610
RH30		4822 051 30222	CHIP 2.2kΩ ±5% 1/16W	NN05222610	RR05		4822 051 30472	CHIP 4.7kΩ ±5% 1/16W	NN05472610
RH32		4822 051 30222	CHIP 2.2kΩ ±5% 1/16W	NN05222610	RR06		4822 051 30472	CHIP 4.7kΩ ±5% 1/16W	NN05472610
RH34		4822 051 30152	CHIP 1.5kΩ ±5% 1/16W	NN05152610	RR07		4822 051 30339	CHIP 33Ω ±5% 1/16W	NN05330610
RH35		4822 051 30472	CHIP 4.7kΩ ±5% 1/16W	NN05472610	RR08		4822 051 30339	CHIP 33Ω ±5% 1/16W	NN05330610
RH36		4822 051 30472	CHIP 4.7kΩ ±5% 1/16W	NN05472610	RR09		4822 051 30759	CHIP 75Ω ±5% 1/16W	NN05750610
RH37		4822 051 30101	CHIP 100Ω ±5% 1/16W	NN05101610	RR10		4822 051 30391	CHIP 390Ω ±5% 1/16W	NN05391610
RH38		4822 051 30104	CHIP 100kΩ ±5% 1/16W	NN05104610	RR12		4822 116 82487	CHIP 0Ω ±5% 1/16W	NN05000610
RH39		4822 051 30222	CHIP 2.2kΩ ±5% 1/16W	NN05222610	RR13		4822 116 82487	CHIP 0Ω ±5% 1/16W	NN05000610
RH40		4822 051 30222	CHIP 2.2kΩ ±5% 1/16W	NN05222610	RR14		4822 116 82487	CHIP 0Ω ±5% 1/16W	NN05000610
RH41		4822 051 30103	CHIP 10kΩ ±5% 1/16W	NN05103610	RR15		4822 116 82487	CHIP 0Ω ±5% 1/16W	NN05000610
RH42		4822 051 30105	CHIP 1MΩ ±5% 1/16W	NN05105610	RR16		4822 051 30103	CHIP 10kΩ ±5% 1/16W	NN05103610
RH51					RR17				
}		4822 116 83211	CHIP 1.8kΩ ±5% 1/16W	NN05182610	}		4822 116 82487	CHIP 0Ω ±5% 1/16W	NN05000610
RH62					RR20				
RH63		4822 051 30222	CHIP 2.2kΩ ±5% 1/16W	NN05222610	RR21		4822 051 30103	CHIP 10kΩ ±5% 1/16W	NN05103610
RH67		4822 051 30222	CHIP 2.2kΩ ±5% 1/16W	NN05222610	RR22		4822 051 30103	CHIP 10kΩ ±5% 1/16W	NN05103610
RH69		4822 051 30222	CHIP 2.2kΩ ±5% 1/16W	NN05222610	RR23		4822 051 30102	CHIP 1kΩ ±5% 1/16W	NN05102610
RH72		4822 051 30472	CHIP 4.7kΩ ±5% 1/16W	NN05472610	RR24		4822 051 30102	CHIP 1kΩ ±5% 1/16W	NN05102610
RH73		4822 051 30472	CHIP 4.7kΩ ±5% 1/16W	NN05472610	RR25		4822 051 30759	CHIP 75Ω ±5% 1/16W	NN05750610
RH74		4822 051 30101	CHIP 100Ω ±5% 1/16W	NN05101610	RR27		4822 051 30103	CHIP 10kΩ ±5% 1/16W	NN05103610
RH75		4822 051 30104	CHIP 100kΩ ±5% 1/16W	NN05104610	RR81				
RH76		4822 051 30222	CHIP 2.2kΩ ±5% 1/16W	NN05222610	}		4822 051 30103	CHIP 10kΩ ±5% 1/16W	NN05103610
RH80		4822 051 30222	CHIP 2.2kΩ ±5% 1/16W	NN05222610	RR84				
RH82		4822 051 30222	CHIP 2.2kΩ ±5% 1/16W	NN05222610					
RH85		4822 051 30153	CHIP 15kΩ ±5% 1/16W	NN05153610	R601		4822 051 30105	CHIP 1MΩ ±5% 1/16W	NN05105610
RH86		4822 116 83208	CHIP 12kΩ ±5% 1/16W	NN05123610	R602		4822 051 30103	CHIP 10kΩ ±5% 1/16W	NN05103610
RH87		4822 051 30101	CHIP 100Ω ±5% 1/16W	NN05101610	R603		4822 116 82487	CHIP 0Ω ±5% 1/16W	NN05000610
RH88		4822 051 30104	CHIP 100kΩ ±5% 1/16W	NN05104610	R604		4822 116 82487	CHIP 0Ω ±5% 1/16W	NN05000610
RH93		4822 051 30392	CHIP 3.9kΩ ±5% 1/16W	NN05392610	R605		4822 116 82487	CHIP 0Ω ±5% 1/16W	NN05000610
					R606		4822 051 30103	CHIP 10kΩ ±5% 1/16W	NN05103610
RJ01					R651		4822 051 30103	CHIP 10kΩ ±5% 1/16W	NN05103610
}		4822 116 83211	CHIP 1.8kΩ ±5% 1/16W	NN05182610	R652		4822 051 30103	CHIP 10kΩ ±5% 1/16W	NN05103610
RJ12					R653		4822 116 82487	CHIP 0Ω ±5% 1/16W	NN05000610
RJ13					R654		4822 051 30472	CHIP 4.7kΩ ±5% 1/16W	NN05472610
}		4822 051 30222	CHIP 2.2kΩ ±5% 1/16W	NN05222610	R655		4822 116 82487	CHIP 0Ω ±5% 1/16W	NN05000610
RJ16					R656		4822 116 82487	CHIP 0Ω ±5% 1/16W	NN05000610
RJ17					R657		4822 116 82487	CHIP 0Ω ±5% 1/16W	NN05000610
}		4822 051 30472	CHIP 4.7kΩ ±5% 1/16W	NN05472610	R659		4822 051 30472	CHIP 4.7kΩ ±5% 1/16W	NN05472610
RJ20					R661		4822 051 30472	CHIP 4.7kΩ ±5% 1/16W	NN05472610
RJ21		4822 051 30101	CHIP 100Ω ±5% 1/16W	NN05101610	R662		4822 051 30473	CHIP 47kΩ ±5% 1/16W	NN05473610
RJ22		4822 051 30101	CHIP 100Ω ±5% 1/16W	NN05101610	R663		4822 116 82487	CHIP 0Ω ±5% 1/16W	NN05000610
RJ23		4822 051 30104	CHIP 100kΩ ±5% 1/16W	NN05104610	R683		4822 051 30473	CHIP 47kΩ ±5% 1/16W	NN05473610
RJ24		4822 051 30104	CHIP 100kΩ ±5% 1/16W	NN05104610	R684		4822 051 30479	CHIP 47Ω ±5% 1/16W	NN05470610
RJ91		4822 116 82487	CHIP 0Ω ±5% 1/16W	NN05000610	R685		4822 051 30479	CHIP 47Ω ±5% 1/16W	NN05470610
RJ92		4822 116 82487	CHIP 0Ω ±5% 1/16W	NN05000610	R686		4822 051 30479	CHIP 47Ω ±5% 1/16W	NN05470610
					R687		4822 051 30474	CHIP 470kΩ ±5% 1/16W	NN05474610
RK01		4822 051 30103	CHIP 10kΩ ±5% 1/16W	NN05103610	R689		4822 051 30103	CHIP 10kΩ ±5% 1/16W	NN05103610
RK02		4822 051 30103	CHIP 10kΩ ±5% 1/16W	NN05103610	R691		4822 051 30103	CHIP 10kΩ ±5% 1/16W	NN05103610
RK03		4822 116 83208	CHIP 12kΩ ±5% 1/16W	NN05123610	R692		4822 051 30103	CHIP 10kΩ ±5% 1/16W	NN05103610
RK04		4822 116 83208	CHIP 12kΩ ±5% 1/16W	NN05123610	R694		4822 051 30103	CHIP 10kΩ ±5% 1/16W	NN05103610
RK05		4822 116 83339	CHIP 56Ω ±5% 1/16W	NN05560610	R695		4822 051 30103	CHIP 10kΩ ±5% 1/16W	NN05103610
RK06		4822 116 83339	CHIP 56Ω ±5% 1/16W	NN05560610	R697		4822 051 30103	CHIP 10kΩ ±5% 1/16W	NN05103610
RK07					R698		4822 051 30103	CHIP 10kΩ ±5% 1/16W	NN05103610
}		4822 051 30472	CHIP 4.7kΩ ±5% 1/16W	NN05472610					
RK18									
RK19									
}		4822 051 30399	CHIP 39Ω ±5% 1/16W	NN05390610	DR01		4822 130 81324	CHIP DIODE 1SS302	HZ20018050
RK22					DR02		4822 130 81324	CHIP DIODE 1SS302	HZ20018050
RK23		4822 051 30103	CHIP 10kΩ ±5% 1/16W	NN05103610	DR03		4822 130 80522	CHIP DIODE 1SS300 DAP202U	HZ21006000
RK24		4822 051 30103	CHIP 10kΩ ±5% 1/16W	NN05103610	D692		4822 130 83715	CHIP DIODE 1SS301 DAN202U	HZ21005000
RK31		4822 051 30101	CHIP 100Ω ±5% 1/16W	NN05101610	D693		4822 130 83715	CHIP DIODE 1SS301 DAN202U	HZ21005000
RK32		4822 051 30472	CHIP 4.7kΩ ±5% 1/16W	NN05472610	QD01		9965 000 01319	IC AD1855 DAC 24BIT/96KHz	HC10013840
RK34		4822 051 30101	CHIP 100Ω ±5% 1/16W	NN05101610	QD02		9965 000 01319	IC AD1855 DAC 24BIT/96KHz	HC10013840
RK35					QD03		9965 000 01319	IC AD1855 DAC 24BIT/96KHz	HC10013840
}		4822 526 10584	FERRITE CORE	FC90090010	QH01		4822 209 91175	IC NJM2114M OP AMP	HC10175090
RK37			ZBF503D-00TA		QH02		4822 209 91175	IC NJM2114M OP AMP	HC10175090
					QH03		4822 209 91175	IC NJM2114M OP AMP	HC10175090

POS. NO	VERS. COLOR	PART NO. (FOR PCS)	DESCRIPTION	PART NO. (MJI)	POS. NO	VERS. COLOR	PART NO. (FOR PCS)	DESCRIPTION	PART NO. (MJI)
QH04		4822 130 61227	DIG.TR.S.DTA114ES ETC	BA10001000	L691				
QH05		4822 130 43818	TRS.2SC2878 A B	HT328782A0	∫		4822 157 10884	EMI FILTER BLM11A221S	FN31000010
QH06		4822 130 43818	TRS.2SC2878 A B	HT328782A0	L696				
QH51		4822 209 91175	IC NJM2114M OP AMP	HC10175090	L697		4822 157 10884	EMI FILTER BLM11A221S	FN31000010
QH52		4822 209 91175	IC NJM2114M OP AMP	HC10175090	X601		4822 242 10851	CRYSTAL 12.288MHz AT-49	JX12013260
QH53		4822 209 91175	IC NJM2114M OP AMP	HC10175090	X691			CER. VIB. CST10.0MTW-TF01	FQ01005010
QJ01		4822 209 91175	IC NJM2114M OP AMP	HC10175090				10.0MHz	
QJ02		4822 209 91175	IC NJM2114M OP AMP	HC10175090					
QK01		9965 000 01317	IC CS5394 2CH.ADC 24BIT	HC10003880					
QK03									
∫		4822 209 91175	IC NJM2114M OP AMP	HC10175090					
QK06					CT01		4822 124 22275	P704-3CH POWER-AMP.	
QR01		9965 000 01341	IC CS8414 SPDIF RECEIVER	HC10004880	CT03			CIRCUIT BOARD	
QR02		9965 000 01342	IC TC74HC151AF	HC715100Z0	CT05		4822 121 70437	P704-CAPACITORS	
QR03		9965 000 01342	IC TC74HC151AF	HC715100Z0	CT07		9965 000 01040	ELECT. 47µF 10V	OA47601020
QR04		4822 209 30426	IC CMOS 74HC00	HC700000Z0	CT11			FILM 470pF ±5% 100V APSV	OF15471540
QR06		4822 209 32879	IC TC74HC157A	HC715705Z0	CT13			FILM 1000pF ±5% 100V APSV	OF15102540
QR07			IC 74HCU04	HC700400Z0	CT15		4822 124 11533	ELECT. 470µF M 6.3V RA-2	OA47700620
QR08		4822 209 90909	IC TC7W74FU D-F/F	HC10400050	CT17		9965 000 01586	ELECT. 220µF M 100V RA2	OA22710020
Q601		9965 000 01321	IC YSS912	HC10014640	CT19			ELECT. 220µF M 100V RA2	OA10510020
			DTS/AC-3 DECODER		CT27		9965 000 00438	MICA 22pF ±5% 500V FE	DF35220520
Q602		9965 000 01322	IC TC7WT241FU TAPING	HC007405K0	CT29		9965 000 00438	ELECT. 4.7µF M 100V	EA47510010
Q603		9965 000 01323	IC TC7WT126FU TAPING	HC007305K0	C701		4822 124 22275	FILM 120pF ±5% 100V APSV	OF15121540
Q604		9965 000 01324	IC 1M SRAM 8X128K 15NS SOJ	HC10088000	C702		4822 124 22275	ELECT. 47µF 10V	OA47601020
Q605		9965 000 01326	IC TCW32FU OR *2	HC10419050	C703			ELECT. 47µF 10V	OA47601020
Q651			IC ZR38600	HC10051990	C704			FILM 470pF ±5% 100V APSV	OF15471540
			AC-3/THX5.1 DECODER		C705		4822 121 70437	FILM 470pF ±5% 100V APSV	OF15471540
Q652		9965 000 01338	IC TC7SET04F	HC007205K0	C706		4822 121 70437	FILM 1000pF ±5% 100V APSV	OF15102540
Q691		9965 000 01339	MICROPROCESSOR	HU300JN50F	C707		9965 000 01040	FILM 1000pF ±5% 100V APSV	OF15102540
			SURR CPU THX 78018FGCAB8		C708		9965 000 01040	ELECT. 470µF M 6.3V RA-2	OA47700620
Q692		9965 000 01323	IC TC7WT126FU	HC007305K0	C711			ELECT. 470µF M 6.3V RA-2	OA47700620
Q693			IC S-80745AN	HC10048530	∫			ELECT. 220µF M 100V RA2	OA22710020
Q694		4822 209 12845	IC S-80730SN-DT-X RESET	HC10054530	C714				
					C715		4822 124 11533	ELECT. 1µF M 100V RA2	OA10510020
					C716		4822 124 11533	ELECT. 1µF M 100V RA2	OA10510020
JR01		4822 265 10683	TERMINAL RCA 2P NI BL	YT02021400	C717		9965 000 01586	MICA 22pF ±5% 500V FE	DF35220520
JR02		4822 218 11487	OPTICAL RECIVER GP1F32R	YJ15000150	C718		9965 000 01586	MICA 22pF ±5% 500V FE	DF35220520
JR03		4822 218 11487	OPTICAL RECIVER GP1F32R	YJ15000150	C719			ELECT. 4.7µF M 100V RE3	EA47510010
JR04		4822 267 31369	OPTICAL OUTPUT GP1F32T	YJ15000090	C720			ELECT. 4.7µF M 100V	EA47510010
JR05		4822 265 10328	TERMINAL 14X14 RA 1L1P BLK	YT02010780	C727				
LD01					∫		9965 000 00438	FILM 120pF ±5% 100V APSV	OF15121540
∫		4822 526 10584	FERRITE CORE	FC90090010	C730				
LD03			ZBF503D-00TA						
LD05									
∫		4822 526 10584	FERRITE CORE	FC90090010	C***			P704-CAPACITORS (COMMON)	
LD07			ZBF503D-00TA					PLASTIC FILM CAPACITOR	
LD81								±5% 50V :	
∫		4822 242 73843	EMI FILTER DSS306-91-F-223Z	FM12223010				C721-C726 CT21 CT23 CT25	
LD86									
LH01		4822 526 10584	FERRITE CORE	FC90090010	▲ RT07			P704-RESISTORS	
			ZBF503D-00TA		▲ RT09			1.5kΩ ±5% 1/6W	GG05152160
LH02		4822 526 10584	FERRITE CORE	FC90090010	RT15		4822 100 11471	1.5kΩ ±5% 1/6W	GG05152160
			ZBF503D-00TA		▲ RT25		4822 052 10561	TRIM. 100kΩ RH0638CJ4R	RA01040780
LH51		4822 526 10584	FERRITE CORE	FC90090010	▲ RT27		4822 052 10561	560Ω ±5% 1/6W	GG05561160
			ZBF503D-00TA		▲ RT29		4822 052 10561	560Ω ±5% 1/6W	GG05561160
LH52		4822 526 10584	FERRITE CORE	FC90090010	▲ RT31		4822 052 10561	560Ω ±5% 1/6W	GG05561160
			ZBF503D-00TA		▲ RT33		4822 052 10569	56Ω ±5% 1/6W	GG05560160
LJ01		4822 526 10584	FERRITE CORE	FC90090010	▲ RT35		4822 052 10569	56Ω ±5% 1/6W	GG05560160
			ZBF503D-00TA		RT43		4822 100 20681	TRIM. 2.2kΩ RH0638CJ3R	RA02220780
LJ02		4822 526 10584	FERRITE CORE	FC90090010	▲ RT49		4822 052 10479	47Ω ±5% 1/4W	GG05470140
			ZBF503D-00TA		▲ RT51		4822 052 10479	47Ω ±5% 1/4W	GG05470140
LK01		4822 526 10584	FERRITE CORE	FC90090010	▲ RT53		4822 052 10101	100Ω ±5% 1/6W	GG05101160
			ZBF503D-00TA		▲ RT55		4822 052 10101	100Ω ±5% 1/6W	GG05101160
LR01		4822 142 60422	PULSE TRNSF.	TP41042030	RT57			JUMPER	75060501P0
			TPS247MN-0386AN		RT59			JUMPER	75060501P0
LR02		4822 242 73843	EMI FILTER DSS306-91-F-223Z	FM12223010	▲ RT61		4822 052 10102	1kΩ ±5% 1/6W	GG05102160
L601		4822 242 73843	EMI FILTER DSS306-91-F-223Z	FM12223010	▲ RT63		4822 052 10229	22Ω ±5% 1/6W	GG05220160
L602		4822 242 73843	EMI FILTER DSS306-91-F-223Z	FM12223010	▲ RT65		4822 052 10229	22Ω ±5% 1/6W	GG05220160
L651		4822 242 73843	EMI FILTER DSS306-91-F-223Z	FM12223010	▲ RT67		4822 116 60319	FUSIBLE 220Ω ±5% 1/2W	NH05221120
					RT69		4822 052 10478	4.7Ω ±5% 1/6W	GG05047160

POS. NO	VERS. COLOR	PART NO. (FOR PCS)	DESCRIPTION	PART NO. (MJI)	POS. NO	VERS. COLOR	PART NO. (FOR PCS)	DESCRIPTION	PART NO. (MJI)
RT71		4822 052 10478	4.7Ω ±5% 1/6W	GG05047160	DT15		4822 130 80837	DIODE HSS81	HD20027010
▲ RT73		4822 113 80612	0.18Ω K 5WX2PCS. RGC55	BZ10182020	DT17		4822 130 80317	ZENER DIODE NTJ5.1B 5.1V	HD30511000
▲ RT75		4822 052 10102	1kΩ ±5% 1/6W	GG05102160	DT19		4822 130 80317	ZENER DIODE NTJ5.1B 5.1V	HD30511000
▲ RT77		4822 050 22202	2.2kΩ ±5% 1/6W	GG05222160	DT21		4822 130 80837	DIODE HSS81	HD20027010
▲ RT83		4822 116 83929	220Ω ±5% 1/4W	GG05221140	D701				
▲ RT85		4822 053 10109	10Ω 1W	GA05100010	}		4822 130 32362	DIODE 1SS176 MA165 1SS254 30V 0.1A	HD20002000
▲ R707					D704				
}			1.5kΩ ±5% 1/6W	GG05152160	D705			JUMPER	75060501P0
▲ R710					}				
R715		4822 100 11471	TRIM. 100kΩ RH0638CJ4R	RA01040780	D712				
R716		4822 100 11471	TRIM. 100kΩ RH0638CJ4R	RA01040780	D713				
▲ R725					}		4822 130 80837	DIODE HSS81	HD20027010
}		4822 052 10561	560Ω ±5% 1/6W	GG05561160	D716				
▲ R732					D717		4822 130 80317	ZENER DIODE NTJ5.1B 5.1V	HD30511000
▲ R733					}				
}		4822 052 10569	56Ω ±5% 1/6W	GG05560160	D720				
▲ R736					D721		4822 130 80837	DIODE HSS81	HD20027010
R743		4822 100 20681	TRIM. 2.2kΩ RH0638CJ3R	RA02220780	D722		4822 130 80837	DIODE HSS81	HD20027010
R744		4822 100 20681	TRIM. 2.2kΩ RH0638CJ3R	RA02220780					
▲ R749					▲ K761			TRS.KIT 2SA1360 2SC3423 PAIR O OR Y	HK136019C0
}		4822 052 10479	47Ω ±5% 1/4W	GG05470140	}				
▲ R752					▲ K763				
▲ R753					▲ K766			TRS.KIT 2SA1837 2SC4793 HFE MJI RANK	HK183719C0
}		4822 052 10101	100Ω ±5% 1/6W	GG05101160	▲ K768				
▲ R756					▲ K771			TRS.KIT 2SA1943 2SC5200 R OR O PAIR	HK194319C0
R757			JUMPER	75060501P0	▲ K773				
R760					QT01		4822 130 42949	TRS.2SA970	HT109702A0
▲ R761		4822 052 10102	1kΩ ±5% 1/6W	GG05102160	QT03		4822 130 42949	TRS.2SA970	HT109702A0
▲ R762		4822 052 10102	1kΩ ±5% 1/6W	GG05102160	QT05		4822 130 42999	TRS.2SA1145 O OR Y	HT111452A0
▲ R763					QT07		4822 130 43283	TRS.2SC2705 O OR Y	HT327052A0
}		4822 052 10229	22Ω ±5% 1/6W	GG05220160	QT09		4822 130 43283	TRS.2SC2705 O OR Y	HT327052A0
▲ R766					▲ QT11		5322 130 61728	TRS.2SA1360 O OR Y	HT113602A0
▲ R767		4822 116 60319	FUSIBLE 220Ω ±5% 1/2W	NH05221120	▲ QT13		5322 130 61737	TRS.2SC3423 O OR Y	HT334232A0
▲ R768		4822 116 60319	FUSIBLE 220Ω ±5% 1/2W	NH05221120	QT17		4822 130 43283	TRS.2SC2705 O OR Y	HT327052A0
R769					QT19		4822 130 42999	TRS.2SA1145 O OR Y	HT111452A0
}		4822 052 10478	4.7Ω ±5% 1/6W	GG05047160	▲ QT21		4822 130 63635	TRS.2SC4793 O OR Y	HT347932A0
R772					▲ QT23		4822 130 63634	TRS.2SA1837 O OR Y	HT118372A0
▲ R773		4822 113 80612	0.18Ω K 5WX2PCS. RGC55	BZ10182020	QT29		4822 130 43233	TRS.2SC2240	HT322402A0
▲ R774		4822 113 80612	0.18Ω K 5WX2PCS. RGC55	BZ10182020	Q701		4822 130 42949	TRS.2SA970	HT109702A0
▲ R775		4822 052 10102	1kΩ ±5% 1/6W	GG05102160	Q702		4822 130 42949	TRS.2SA970	HT109702A0
▲ R776		4822 052 10102	1kΩ ±5% 1/6W	GG05102160	Q703		4822 130 42949	TRS.2SA970	HT109702A0
▲ R777		4822 050 22202	2.2kΩ ±5% 1/6W	GG05222160	Q704		4822 130 42949	TRS.2SA970	HT109702A0
▲ R778		4822 050 22202	2.2kΩ ±5% 1/6W	GG05222160	Q705		4822 130 42999	TRS.2SA1145 O OR Y	HT111452A0
▲ R783		4822 116 83929	220Ω ±5% 1/4W	GG05221140	Q706		4822 130 42999	TRS.2SA1145 O OR Y	HT111452A0
▲ R784		4822 116 83929	220Ω ±5% 1/4W	GG05221140	Q707		4822 130 43283	TRS.2SC2705 O OR Y	HT327052A0
▲ R785		4822 053 10109	10Ω 1W	GA05100010	Q708		4822 130 43283	TRS.2SC2705 O OR Y	HT327052A0
▲ R786		4822 053 10109	10Ω 1W	GA05100010	Q709		4822 130 43283	TRS.2SC2705 O OR Y	HT327052A0
			P704-RESISTORS (COMMON)		Q710		4822 130 43283	TRS.2SC2705 O OR Y	HT327052A0
			CARBON FILM FIXED RES.		▲ Q711		5322 130 61728	TRS.2SA1360 O OR Y	HT113602A0
			±5% 1/6W : R701-R706		▲ Q712		5322 130 61728	TRS.2SA1360 O OR Y	HT113602A0
			R711-R714 R717-R724		▲ Q713		5322 130 61737	TRS.2SC3423 O OR Y	HT334232A0
			R737-R742 R745-R748		▲ Q714		5322 130 61737	TRS.2SC3423 O OR Y	HT334232A0
			R779-R782 R787-R790 RT01		Q717		4822 130 43283	TRS.2SC2705 O OR Y	HT327052A0
			RT03 RT05 RT11 RT13 RT17		Q718		4822 130 43283	TRS.2SC2705 O OR Y	HT327052A0
			RT19 RT21 RT23 RT37 RT39		Q719		4822 130 42999	TRS.2SA1145 O OR Y	HT111452A0
			RT41 RT45 RT47 RT79 RT81		Q720		4822 130 42999	TRS.2SA1145 O OR Y	HT111452A0
			RT87 RT89		▲ Q721		4822 130 63635	TRS.2SC4793 O OR Y	HT347932A0
					▲ Q722		4822 130 63635	TRS.2SC4793 O OR Y	HT347932A0
			P704-SEMICONDUCTORS		▲ Q723		4822 130 63634	TRS.2SA1837 O OR Y	HT118372A0
DT01		4822 130 32362	DIODE 1SS176 MA165 1SS254 30V 0.1A	HD20002000	▲ Q724		4822 130 63634	TRS.2SA1837 O OR Y	HT118372A0
DT03		4822 130 32362	DIODE 1SS176 MA165 1SS254 30V 0.1A	HD20002000	Q729		4822 130 43233	TRS.2SC2240	HT322402A0
DT05			JUMPER	75060501P0	Q730		4822 130 43233	TRS.2SC2240	HT322402A0
DT07			JUMPER	75060501P0				P704-SEMICONDUCTORS	
DT09			JUMPER	75060501P0	LT01		4822 157 70022	AIR COIL SPK CHOCK	ML08010030
DT11			JUMPER	75060501P0	L701		4822 157 70022	AIR COIL SPK CHOCK	ML08010030
DT13		4822 130 80837	DIODE HSS81	HD20027010	L702		4822 157 70022	AIR COIL SPK CHOCK	ML08010030

POS. NO	VERS. COLOR	PART NO. (FOR PCS)	DESCRIPTION	PART NO. (MJI)	POS. NO	VERS. COLOR	PART NO. (FOR PCS)	DESCRIPTION	PART NO. (MJI)
DP13 }		4822 130 80837	DIODE HSS81	HD20027010	▲ Q861		4822 209 31631	IC NJM7805FA +5V	HC38905090
DP16 DP17 }		4822 130 80317	ZENER DIODE NTJ5.1B 5.1V	HD30511000	▲ Q871		4822 209 31631	IC NJM7805FA +5V	HC38905090
DP20		4822 130 80837	DIODE HSS81	HD20027010	▲ Q881		4822 130 63635	TRS.2SC4793 O OR Y	HT347932A0
DP21		4822 130 80837	DIODE HSS81	HD20027010				P754-MISCELLANEOUS	
DP22		4822 130 80837	DIODE HSS81	HD20027010	LN01		9965 000 01343	RELAY MR62-12SR	LY20120510
D861		4822 130 82421	DIODE 1D3	HD20002710	LP01		4822 157 70022	AIR COIL SPK CHOCK	ML08010030
D871		4822 130 82421	DIODE 1D3	HD20002710	LP02		4822 157 70022	AIR COIL SPK CHOCK	ML08010030
D881		4822 130 82421	DIODE 1D3	HD20002710	▲ MN51		9965 000 01770	D.C MOTOR FBA08A12H0	MM01200320
D882		4822 130 80132	ZENER DIODE NTJ3.9A 3.9V	HD30391000			9965 000 01772	DC FAN 12V	
▲ K764			TRS.KIT 2SA1360 2SC3423 PAIR O OR Y	HK136019C0	▲ ZN51			DC FAN MOTOR UNIT W/3P WIRE	ZK300J0020
▲ K765			TRS.KIT 2SA1360 2SC3423 PAIR O OR Y	HK136019C0				P774-PO-AMP.TR-BLOCK CIRCUIT BOARD 3CH	
▲ K769			TRS.KIT 2SA1837 2SC4793 HFE MJI RANK	HK183719C0	D799		4822 130 43564	VARISTOR PTH9M04BE222TS2F333	HP00004230
▲ K770			TRS.KIT 2SA1837 2SC4793 HFE MJI RANK	HK183719C0				P774-SEMICONDUCTORS	
▲ K774			TRS.KIT 2SA1943 2SC5200 R OR O PAIR	HK194319C0	QT15		4822 130 60117	TRS.2S2SC3419 Y	HT334191Y0
▲ K775			TRS.KIT 2SA1943 2SC5200 R OR O PAIR	HK194319C0	▲ QT25			TRS.2SC5200 R OR O 230V 15A 150W	HT352002A0
QN01		4822 209 83312	IC TA7317P	HC10042050	▲ QT27			TRS.2SA1943 R OR O 230V 15A 150W	HT119432A0
QN02		4822 130 42594	DIG.TR.S.DTC144ES	BA20002000	Q715		4822 130 60117	TRS.2S2SC3419 Y	HT334191Y0
QN03		4822 130 42949	TRS.TRANSIATOR 2SA970	HT109702A0	Q716		4822 130 60117	TRS.2S2SC3419 Y	HT334191Y0
QN04		4822 130 60526	TRS.2SD1508 HFE>4000	HT415080A0	▲ Q725			TRS.2SC5200 R OR O 230V 15A 150W	HT352002A0
QN05		4822 130 42594	DIG.TR.S.DTC144ES	BA20002000	▲ Q726			TRS.2SC5200 R OR O 230V 15A 150W	HT352002A0
QN06		4822 130 60696	TRS.2SC1627 O OR Y	HT316272B0	▲ Q727			TRS.2SA1943 R OR O 230V 15A 150W	HT119432A0
▲ QN07			IC PQ30RV11	HC36930320	▲ Q728			TRS.2SA1943 R OR O 230V 15A 150W	HT119432A0
QN08		4822 130 41947	TRS.2SC536SP ETC	HT30001000				P804-POWER S UPPLY ±15V CIRCUIT BOARD	
QN09		4822 130 41947	TRS.2SC536SP ETC	HT30001000	C801		4822 122 30043	CER. 0.01µF +80%-20% 50V	DK18103310
QN10		4822 130 41947	TRS.2SC536SP ETC	HT30001000	C802		4822 122 30043	CER. 0.01µF +80%-20% 50V	DK18103310
QN11		4822 130 43233	TRS.2SC2240	HT322402A0	C803		4822 124 81133	ELECT. 4700µF 25V	OA47802520
QN12		4822 130 43233	TRS.2SC2240	HT322402A0	C804		4822 122 30043	CER. 0.01µF +80%-20% 50V	DK18103310
QN13		4822 130 41947	TRS.2SC536SP ETC	HT30001000	C805		4822 124 22571	ELECT. 10µF M 50V RA-2	OA10605020
QN14		4822 130 42715	TRS.2SA608SP ETC	HT10001000	C806		4822 122 30043	CER. 0.01µF +80%-20% 50V	DK18103310
QP01 }		4822 130 42949	TRS.2SA970	HT109702A0	C807		4822 124 81133	ELECT. 4700µF 25V	OA47802520
QP04					C808		4822 122 30043	CER. 0.01µF +80%-20% 50V	DK18103310
QP05		4822 130 42999	TRS.2SA1145 O OR Y	HT111452A0	C817		4822 124 22571	ELECT. 10µF M 50V	OA10605020
QP06		4822 130 42999	TRS.2SA1145 O OR Y	HT111452A0	C818		4822 122 30043	CER. 0.01µF +80%-20% 50V	DK18103310
QP07 }		4822 130 43283	TRS.2SC2705 O OR Y	HT327052A0				P804-RESISTORS	
QP10					R801			JUMPER	75060501P0
▲ QP11 }		5322 130 61737	TRS.2SC3423 O OR Y	HT334232A0	R802			JUMPER	75060501P0
▲ QP14					R813			100Ω ±5% 1/6W	GD05101160
QP15		4822 130 60117	TRS.2S2SC3419 Y	HT334191Y0				P804-SEMICONDUCTORS	
QP16		4822 130 60117	TRS.2S2SC3419 Y	HT334191Y0	▲ D801		4822 130 83067	DIODE D3SB 20 V=200V IO=3.0A	HE20020290
QP17 }		4822 130 42999	TRS.2SA1145 O OR Y	HT111452A0	D802		4822 130 82421	DIODE 1D3 1A 200V	HD20002710
QP20					D807		4822 130 82421	DIODE 1D3 1A 200V	HD20002710
▲ QP21		4822 130 63635	TRS.2SC4793 O OR Y	HT347932A0				P804-MISCELLANEOUS	
▲ QP22		4822 130 63635	TRS.2SC4793 O OR Y	HT347932A0	▲ F801	/K,/S	4822 117 10158	1Ω ±5% 1/4W	GG05010140
▲ QP23		4822 130 63634	TRS.2SA1837 O OR Y	HT118372A0	▲ F801	/U		FUSE T2A 250V TR5 NO.19374	FS20200210
▲ QP24		4822 130 63634	TRS.2SA1837 O OR Y	HT118372A0	▲ F802	/K,/S	4822 117 10158	1Ω ±5% 1/4W	GG05010140
▲ QP25			TRS.2SC5200 R OR O 230V 15A 150W	HT352002A0	▲ F802	/U		FUSE T2A 250V TR5 NO 19374	FS20200210
▲ QP26			TRS.2SC5200 R OR O 230V 15A 150W	HT352002A0					
▲ QP27			TRS.2SA1943 R OR O 230V 15A 150W	HT119432A0					
▲ QP28			TRS.2SA1943 R OR O 230V 15A 150W	HT119432A0					
QP29		4822 130 43233	TRS.2SC2240	HT322402A0					
QP30		4822 130 43233	TRS.2SC2240	HT322402A0					

POS. NO	VERS. COLOR	PART NO. (FOR PCS)	DESCRIPTION	PART NO. (MJI)
			P854-MAIN+B CIRCUIT BOARD	
			P8504-CAPACITORS	
C851		4822 126 12453	CER. 0.01µF +80%-20% 500V	DK18103560
C852		4822 126 12453	CER. 0.01µF +80%-20% 500V	DK18103560
▲ C853			ELECT. 36000µF 71V x 2	EI36907110
C854		4822 126 12453	CER. 0.01µF +80%-20% 500V	DK18103560
C857		4822 124 90357	ELECT. 2.2µF M 50V RA-2	OA22505020
			P854-RESISTORS (COMMON)	
			CARBON FILM FIXED RES. ±5% 1/6W : R851-R854	
			P854-SEMICONDUCTORS	
▲ D851		9965 000 01578	DIODE D25XB60 BRIDGE	HE20029290
D853		4822 130 82421	DIODE 1D3	HD20002710
D854		4822 130 82421	DIODE 1D3	HD20002710
			PB04-PRIMARY CIRCUIT BOARD [U]	
			PB04-CAPACITORS	
CB01	/U	4822 122 33276	CER. 0.01µF ±20% 50V	DK17103840
CB03	/U	4822 111 91269	JUMPER	75061001P0
			PB04-RESISTORS	
			2.2MΩ ±10% 1/2W FOR UL	RC10225820
			PB04-RESISTORS (COMMON)	
			CARBON FILM FIXED RES. ±5% 1/6W : RB03 RB04	
			PB04-SEMICONDUCTORS	
DB01	/U	4822 130 82421	DIODE 1D3 1A 200V	HD20002710
			PB04-MISCELLANEOUS	
▲ FB01	/U		FUSE 8A 125V SM8 UL CSA	FS10800540
▲ FB02	/U		FUSE 630mA 250V UL CSA FBM	FS10063360
JB03	/U		JACK 2P AC OUTLET	YJ04002040
LB02	/U	4822 280 80773	RELAY VS24MB-NR TV-8 SEMKO LISTED	LY10240240
			PB54-PRIMARY CIRCUIT BOARD [/K, /S]	
			PB54-CAPACITOR	
CB51	/K,/S	4822 122 33276	CER. 0.01µF ±20% 50V	DK17103840
			PB54-SEMICONDUCTOR	
DB51	/K,/S	4822 130 82421	DIODE 1D3 1A 200V	HD20002710
			PB54-MISCELLANEOUS	
▲ FB51	/K,/S	4822 253 30387	FUSE T4A 250V BS LISTED	FS10400850
▲ FB52	/K,/S	4822 070 32001	FUSE T200mA 250V BS LISTED	FS10020850
LB52	/K,/S	4822 280 80773	RELAY VS24MB-NR TV-8 SEMKO LISTED	LY10240240
			PB74-POWER SW CIRCUIT BOARD	
CB71		4822 122 33276	CER. 0.01µF ±20% 50V	DK17103840
▲ SB71		9965 000 01777	PUSH SWITCH SDDL B1 POWER TV-5	SP01012460
			PL04-CVBS VIDEO SELECTOR CIRCUIT BOARD	
			PL04-CAPACITORS	
CL01		4822 124 22571	ELECT. 10µF M 50V RA-2	OA10605020
CL02		4822 124 22571	ELECT. 10µF M 50V RA-2	OA10605020
CL03		4822 124 22571	ELECT. 10µF M 50V RA-2	OA10605020
CL04			JUMPER	75060501P0

POS. NO	VERS. COLOR	PART NO. (FOR PCS)	DESCRIPTION	PART NO. (MJI)
CL05			ELECT. 10µF M 50V RA-2	OA10605020
CL09			JUMPER	75060501P0
CL10				
CL11			ELECT. 10µF M 50V RA-2	OA10605020
CL23		4822 124 22571	ELECT. 10µF M 50V RA-2	OA10605020
CL24		9965 000 01040	ELECT. 470µF M 6.3V RA-2	OA47700620
CL25				
CL31		4822 124 22571	ELECT. 10µF M 50V RA-2	OA10605020
CL32		9965 000 01040	ELECT. 470µF M 6.3V RA-2	OA47700620
CL33		9965 000 01040	ELECT. 470µF M 6.3V RA-2	OA47700620
CL34		4822 122 30043	CER. 0.01µF +80%-20% 50V	DK18103310
CL35		4822 124 41537	ELECT. 220µF M 6.3V RA-2	OA22700620
CL36		4822 122 30043	CER. 0.01µF +80%-20% 50V	DK18103310
CL37		4822 124 90353	ELECT. 100µF M 10V RA-2	OA10701020
CL38		4822 122 30043	CER. 0.01µF +80%-20% 50V	DK18103310
CL39		4822 122 30043	CER. 0.01µF +80%-20% 50V	DK18103310
CL40		4822 122 30043	CER. 0.01µF +80%-20% 50V	DK18103310
CL41		4822 124 90353	ELECT. 100µF M 10V RA-2	OA10701020
CL42		4822 122 30043	CER. 0.01µF +80%-20% 50V	DK18103310
CL43		4822 124 41537	ELECT. 220µF M 6.3V RA-2	OA22700620
CL44		4822 122 40617	CER. 0.1µF +80%-20% 50V	DD38104010
CL46	/K,/S	4822 126 10362	CER. 22pF ±5%	DA15220110
CL47	/K,/S	4822 126 11553	CER. 15pF ±5%	DA15150120
CL48	/U	4822 122 33792	CER. 10pF ±5%	DA15100120
CL49		4822 126 11591	CER. 24pF ±5% CH 50V BLK	DD15240300
CL50		4822 126 10362	CER. 22pF ±5%	DA15220110
CL52		4822 124 41543	ELECT. 1µF M 50V RA-2	OA10505020
CL53		4822 122 40617	CER. 0.1µF +80%-20% 50V	DD38104010
CL54		4822 124 41537	ELECT. 220µF M 6.3V RA-2	OA22700620
CL55		4822 124 41543	ELECT. 1µF M 50V RA-2	OA10505020
CL56		4822 124 22571	ELECT. 10µF M 50V RA-2	OA10605020
CL57		4822 124 22571	ELECT. 10µF M 50V RA-2	OA10605020
CL58		4822 124 22571	ELECT. 10µF M 50V RA-2	OA10605020
CL59		9965 000 01040	ELECT. 470µF M 6.3V RA-2	OA47700620
CL60		4822 124 22571	ELECT. 10µF M 50V RA-2	OA10605020
CL61		4822 124 90353	ELECT. 100µF M 10V RA-2	OA10701020
CL62		4822 122 30043	CER. 0.01µF +80%-20% 50V	DK18103310
CL63		4822 122 30043	CER. 0.01µF +80%-20% 50V	DK18103310
CL64		4822 124 41537	ELECT. 220µF M 6.3V RA-2	OA22700620
CL65		4822 122 40617	CER. 0.1µF +80%-20% 50V	DD38104010
CL66			JUMPER	75060501P0
CL67	/U	4822 126 10362	CER. 22pF ±5%	DA15220110
CL68		4822 124 41543	ELECT. 1µF M 50V RA-2	OA10505020
CL69		4822 124 22571	ELECT. 10µF M 50V RA-2	OA10605020
CL70		4822 122 30043	CER. 0.01µF +80%-20% 50V	DK18103310
CL71			JUMPER	75060501P0
CL74				
CL75		4822 124 22571	ELECT. 10µF M 50V RA-2	OA10605020
CL79		4822 124 41543	ELECT. 1µF M 50V RA-2	OA10505020
CL80		4822 122 30043	CER. 0.01µF +80%-20% 50V	DK18103310
CL81		4822 124 22571	ELECT. 10µF M 50V RA-2	OA10605020
CL82		4822 124 22571	ELECT. 10µF M 50V RA-2	OA10605020
CL83		4822 124 22571	ELECT. 10µF M 50V RA-2	OA10605020
CL84		4822 125 50384	TRIM. VCT51E 20pF	CT12000200
CL86		4822 124 22571	ELECT. 10µF M 50V RA-2	OA10605020
CX84		4822 124 22277	ELECT. 470µF M 16V	OA47701620
			PL04-CAPACITORS (COMMON)	
			HIGH DIELECTRIC CONSTANT CER. CAPACITOR ±10% 50V : CL51 CL76 CL77 CL87-CL97[S]	
			PL04-CAPACITORS	
			PLASTIC FILM CAPACITOR ±5% 50V : CL78	

POS. NO	VERS. COLOR	PART NO. (FOR PCS)	DESCRIPTION	PART NO. (MJI)	POS. NO	VERS. COLOR	PART NO. (FOR PCS)	DESCRIPTION	PART NO. (MJI)
RL01		4822 111 41355	PL04-RESISTORS 75Ω ±5% 1/6W	GD05750160	LL02		4822 242 73843	EMI FILTER DSS306-91-F-223Z	FM12223010
RL03		4822 111 41355	75Ω ±5% 1/6W	GD05750160	LL03			JUMPER	75060501P0
RL05		4822 111 41355	75Ω ±5% 1/6W	GD05750160	}			JUMPER	75060501P0
RL07		4822 111 41355	75Ω ±5% 1/6W	GD05750160	LL08			JUMPER	75060501P0
RL09		4822 111 41355	75Ω ±5% 1/6W	GD05750160	LV01		9965 000 01576	RELAY MR82-24USR	LY20240480
▲ RV51		4822 050 21021	100Ω ±5% 1/2W	GG05101120	LV02		9965 000 01576	RELAY MR82-24USR	LY20240480
R***			PL04-RESISTORS (COMMON) CARBON FILM FIXED RES. ±5% 1/6W : RL02 RL04 RL06 RL08 RL10-RL15 RL18-RL26 RL28-RL43 RV52 RV53		LV03		9965 000 01576	RELAY MR82-24USR	LY20240480
			PL04-SEMICONDUCTORS		XL01	/K	4822 242 73903	CRYSTAL AT49 17.7MHz	JX17001260
DL07		4822 130 32362	DIODE 1SS176 MA165 1SS254 30V 0.1A	HD20002000	XL01	/S	4822 242 73903	CRYSTAL AT49 17.7MHz	JX17001260
DV01		4822 130 82421	DIODE 1D3	HD20002710	XL02		4822 242 80288	CRYSTAL AT49 14.31818MHz	JX14001260
DV02		4822 130 82421	DIODE 1D3	HD20002710				PL74-AUX INPUT	
DV03		4822 130 82421	DIODE 1D3	HD20002710				CIRCUIT BOARD	
DV51		4822 130 82421	DIODE 1D3	HD20002710				PL74-CAPACITORS	
DV52		4822 130 82421	DIODE 1D3	HD20002710	CL75	/S	4822 126 11568	CER. CHIP 470pF	DK96471300
DV53		4822 130 32362	DIODE 1SS176 MA165 1SS254 30V 0.1A	HD20002000	CL76	/S	4822 126 11568	CER. CHIP 470pF	DK96471300
QL01		9965 000 01371	IC MM1140XF	HC10083550	CL77	/S	4822 122 33777	CER. CHIP 47pF	DD95470300
QL02			IC BA7612N	HC10201210	CL78	/S	4822 122 33777	CER. CHIP 47pF	DD95470300
QL03		9965 000 01372	IC BA7649A G-1 VIDEO SW	HC10179210	CL79				
QL04			IC BA7613N	HC10202210	}		4822 124 22571	ELECT. 10μF M 50V RA-2	OA10605020
QL05		9965 000 01372	IC BA7649A G-1 VIDEO SW	HC10179210	CL82				
QL06			IC BA7613N	HC10202210	CL83		4822 124 23112	ELECT. 10μF 16V	EQ10601630
QL07		4822 209 16846	IC NJU3718L	HC10171090	CL84		4822 111 41305	0Ω	GD05000140
QL08			IC NJM2244	HC10119090	CL88		4822 111 41305	0Ω	GD05000140
			3IN SW 75Ω DRIVER		CL89		4822 126 11687	CER. CHIP 0.1μF +80%-20%	DK98104200
QL09			IC LC74781 OSD	HC10377030	CL90		4822 126 11687	CER. CHIP 0.1μF +80%-20%	DK98104200
QL10	/K	4822 130 61227	DIG. TRS.DTA114ES ETC	BA10001000	CL91		4822 111 41305	0Ω	GD05000140
QL10	/S	4822 130 61227	DIG. TRS.DTA114ES ETC	BA10001000	}		4822 111 41305	0Ω	GD05000140
QL11	/K	4822 130 61189	DIG. TRS.	BA20004000	CL98		4822 111 41305	0Ω	GD05000140
			DTC114TS UN4215 10K						
QL11	/S	4822 130 61189	DIG. TRS.	BA20004000	RL75		4822 051 30102	CHIP 1kΩ ±5% 1/16W	NN05102610
			DTC114TS UN4215 10K		RL76		4822 051 30102	CHIP 1kΩ ±5% 1/16W	NN05102610
QL12	/K	4822 130 61189	DIG. TRS.	BA20004000	RL77		4822 051 30473	CHIP 47kΩ ±5% 1/16W	NN05473610
			DTC114TS UN4215 10K		RL78		4822 051 30473	CHIP 47kΩ ±5% 1/16W	NN05473610
QL12	/S	4822 130 61189	DIG. TRS.	BA20004000	RL79				
			DTC114TS UN4215 10K		}		4822 116 82487	CHIP 0Ω ±5% 1/16W	NN05000610
QL14			IC NJM2244	HC10119090	RL82				
			3IN SW 75Ω DRIVER		RL83		4822 051 30473	CHIP 47kΩ ±5% 1/16W	NN05473610
QL15		4822 130 60588	DIG. TRS.	BA20001000	RL84		4822 051 30473	CHIP 47kΩ ±5% 1/16W	NN05473610
QL16		4822 130 41947	TRS.2SC2458 2SC1740S 2SC3199 ETC.	HT30001000	RL85		4822 051 30759	CHIP 75Ω ±5% 1/16W	NN05750610
QL17		4822 130 60588	DIG. TRS.	BA20001000	RL86		4822 051 30759	CHIP 75Ω ±5% 1/16W	NN05750610
			DTC114ES UN4211 10k 10k		RL88		4822 051 30759	CHIP 75Ω ±5% 1/16W	NN05750610
QL18			IC TC74HC132AP	HC713205D0				PL74-SEMICONDUCTORS	
QL19		4822 130 60588	DIG. TRS.	BA20001000	QL75		4822 209 71451	IC NJM4558M Y	HC10011090
			DTC114ES UN4211 10k 10k					PL74-MISCELLANEOUS	
QV51		4822 130 61227	DIG. TRS.DTA114ES ETC	BA10001000	JL75		9965 000 01347	TERMINAL RCA JACK 3P + S-TERMINAL AUX	BY04040030
QV52		4822 130 63634	TRS.2SA1837 Q OR Y	HT118372A0				PS04-A-FUNC/PRE S UPPLY	
			PL04-MISCELLANEOUS					CIRCUIT BOARD	
JL01		4822 265 41264	TERMINAL YKC21-3111	YT02030370	CG01				
JL02		4822 265 41264	TERMINAL YKC21-3111	YT02030370	}		4822 124 22274	ELECT. 4.7μF M 50V RA-2	OA47505020
JL03		4822 265 41264	TERMINAL YKC21-3111	YT02030370	CG06				
JL04		4822 267 31451	TERMINAL 8P CINCH YKC21-3052	YT02080110	CG09		4822 124 22277	ELECT. 470μF M 16V	OA47701620
JL05			TERMINAL 14X14 RA 2L2P BLK NI FLM-GND	YT02021230	CQ01			JUMPER	75060501P0
JL06		4822 265 10328	TERMINAL 14X14 RA 1L1P BLK NI FLM-GND	YT02010780	CQ02			JUMPER	75060501P0
LL01		4822 157 62922	CHOKE COIL 33μH J	LC13333800	CQ03			JUMPER	75060501P0
					CQ08		4822 122 40617	CER. 0.1μF +80%-20% 50V	DD38104010
					CQ09	/S	4822 122 31205	CER. 47pF ±5% CH 50V BLK	DD15470300
					CQ10	/S	4822 122 31205	CER. 47pF ±5% CH 50V BLK	DD15470300
					CQ15	/K	4822 122 40586	CER. 10000pF ±20%	DA17103110
					CS01				
					}		4822 124 41539	ELECT. 47μF M 16V RA-2	OA47601620
					CS14				
					CS15		4822 124 22571	ELECT. 10μF M 16V RA-2	OA10605020
					CS16		4822 124 22571	ELECT. 10μF M 16V RA-2	OA10605020
					CS17		4822 124 90358	ELECT. 22μF M 16V RA-2	OA22601620

POS. NO	VERS. COLOR	PART NO. (FOR PCS)	DESCRIPTION	PART NO. (MJI)	POS. NO	VERS. COLOR	PART NO. (FOR PCS)	DESCRIPTION	PART NO. (MJI)
CS18		4822 122 30043	CER. 0.01µF +80%-20% 50V	DK18103310	C843		4822 124 90355	ELECT. 100µF M 50V RA-2	OA10705020
CS21					C844		4822 122 30043	CER. 0.01µF +80%-20% 50V	DK18103310
CS22		4822 122 30043	CER. 0.01µF +80%-20% 50V	DK18103310	C847		4822 122 30043	CER. 0.01µF +80%-20% 50V	DK18103310
CS23		4822 124 90354	ELECT. 100µF M 16V RA-2	OA10701620	C848		4822 122 30043	CER. 0.01µF +80%-20% 50V	DK18103310
CS24		4822 124 90354	ELECT. 100µF M 16V RA-2	OA10701620	C851		4822 124 41538	ELECT. 220µF 35V	OA22703520
CS25		4822 124 41539	ELECT. 47µF M 16V RA-2	OA47601620	C852		4822 124 90357	ELECT. 2.2µF 50V	OA22505020
CS28								C***	
CS29		4822 124 22274	ELECT. 4.7µF M 50V RA-2	OA47505020					
CS30		4822 124 22274	ELECT. 4.7µF M 50V RA-2	OA47505020					
CS31		4822 124 41539	ELECT. 47µF M 16V RA-2	OA47601620					
CS32		4822 124 41539	ELECT. 47µF M 16V RA-2	OA47601620					
CS33		4822 124 22274	ELECT. 4.7µF M 50V RA-2	OA47505020					
CS34		4822 124 22274	ELECT. 4.7µF M 50V RA-2	OA47505020					
CS35		4822 124 41539	ELECT. 47µF M 16V RA-2	OA47601620					
CS36		4822 124 41539	ELECT. 47µF M 16V RA-2	OA47601620					
CS55	/S	4822 122 31205	CER. 47pF ±5% CH 50V BLK	DD15470300					
CS56	/S	4822 122 31205	CER. 47pF ±5% CH 50V BLK	DD15470300					
CS57		4822 124 90354	ELECT. 100µF M 16V RA-2	OA10701620	▲ RG15		4822 115 90166	FUSE 10Ω ±2% 1/4W	NF02100140
CS58		4822 124 90354	ELECT. 100µF M 16V RA-2	OA10701620	RS96			JUMPER	75060501P0
CS59	/S	4822 122 31205	CER. 47pF ±5% CH 50V BLK	DD15470300	RS97			JUMPER	75060501P0
CS60	/S	4822 122 31205	CER. 47pF ±5% CH 50V BLK	DD15470300	▲ R804		4822 117 10158	1Ω ±5% 1/4W	GG05010140
CS61	/S	4822 122 31205	CER. 47pF ±5% CH 50V BLK	DD15470300	▲ R807		4822 053 10102	1kΩ ±5% 1W	GA05102010
CS62	/S	4822 122 31205	CER. 47pF ±5% CH 50V BLK	DD15470300	▲ R811		4822 111 90731	FUSE 47Ω ±2% 1/4W	NF02470140
CS63		4822 122 30043	CER. 0.01µF +80%-20% 50V	DK18103310	▲ R817		4822 115 90167	FUSE 100Ω ±2% 1/4W	NF02101140
CS64		4822 122 30043	CER. 0.01µF +80%-20% 50V	DK18103310	R818			JUMPER	75060501P0
CS65		4822 122 31205	CER. 47pF ±5% CH 50V BLK	DD15470300					
CS70	/S							R***	
CS73	/S	4822 122 31205	CER. 47pF ±5% CH 50V BLK	DD15470300					
CS76									
CS79	/S	4822 122 31205	CER. 47pF ±5% CH 50V BLK	DD15470300					
CS80	/S	4822 122 31205	CER. 47pF ±5% CH 50V BLK	DD15470300					
CS81			JUMPER	75060501P0					
CS82			JUMPER	75060501P0					
CS83			JUMPER	75060501P0					
CS84		4822 122 40617	CER. 0.1µF +80%-20% 50V DC	DD38104010	DG01		4822 130 82421	DIODE 1D3 1A 200V	HD20002710
CS85		4822 122 40617	CER. 0.1µF +80%-20% 50V DC	DD38104010	DG02		4822 130 32362	DIODE 1SS176 MA165 1SS254 30V 0.1A	HD20002000
CS86		4822 124 90354	ELECT. 100µF M 16V RA-2	OA10701620	DG03		4822 130 32362	DIODE 1SS176 MA165 1SS254 30V 0.1A	HD20002000
CS87		4822 124 90354	ELECT. 100µF M 16V RA-2	OA10701620	DS01		4822 130 32362	DIODE 1SS176 MA165 1SS254 30V 0.1A	HD20002000
CS88		4822 122 40617	CER. 0.1µF +80%-20% 50V DC	DD38104010	DS02		4822 130 32362	DIODE 1SS176 MA165 1SS254 30V 0.1A	HD20002000
CS89		4822 124 22274	ELECT. 4.7µF M 50V RA-2	OA47505020					
CS90		4822 124 22274	ELECT. 4.7µF M 50V RA-2	OA47505020					
CS93	/S	4822 122 31205	CER. 47pF ±5% CH 50V BLK	DD15470300					
CS94	/S	4822 122 31205	CER. 47pF ±5% CH 50V BLK	DD15470300	D803				
CS97		4822 122 30043	CER. 0.01µF +80%-20% 50V	DK18103310	}		4822 130 82421	DIODE 1D3 1A 200V	HD20002710
CS98		4822 122 30043	CER. 0.01µF +80%-20% 50V	DK18103310	D806				
CS99		4822 122 40617	CER. 0.1µF +80%-20% 50V	DD38104010	▲ D808		4822 130 83438	DIODE D5SB-20 5A 200V	HE20016290
C809		4822 124 22571	ELECT. 10µF M 50V RA-2	OA10605020	D811		4822 130 82421	DIODE 1D3 1A 200V	HD20002710
C810		4822 122 30043	CER. 0.01µF +80%-20% 50V	DK18103310	D812		4822 130 82421	DIODE 1D3 1A 200V	HD20002710
C811		4822 124 22571	ELECT. 10µF M 50V RA-2	OA10605020	D813		4822 130 81729	ZENER DIODE MTZJ33D	HD33301000
C812		4822 122 30043	CER. 0.01µF +80%-20% 50V	DK18103310	D814		4822 130 80273	ZENER DIODE 8.2V	HD30821000
C813		4822 124 22571	ELECT. 10µF M 50V RA-2	OA10605020	D815				
C814		4822 122 30043	CER. 0.01µF +80%-20% 50V	DK18103310	}		4822 130 82421	DIODE 1D3 1A 200V	HD20002710
C815		4822 124 22571	ELECT. 10µF M 50V RA-2	OA10605020	D825				
C816		4822 122 30043	CER. 0.01µF +80%-20% 50V	DK18103310	▲ D826			DIODE 1GWJ43	HD20031050
C819		4822 122 30043	CER. 0.01µF +80%-20% 50V	DK18103310	D827			JUMPER	75060501P0
C820		4822 122 30043	CER. 0.01µF +80%-20% 50V	DK18103310	D828		4822 130 82421	DIODE 1D3 1A 200V	HD20002710
C821		9965 000 01351	ELECT. 13000µF M 16V RE3	EA13901670	D829		4822 130 82421	DIODE 1D3 1A 200V	HD20002710
C827		4822 122 30043	CER. 0.01µF +80%-20% 50V	DK18103310	D830		4822 130 32362	DIODE 1S133	HD20002000
C828		4822 122 30043	CER. 0.01µF +80%-20% 50V	DK18103310					
C830		4822 124 22571	ELECT. 10µF M 50V RA-2	OA10605020	QG01		9965 000 01359	IC TC9459N ELE.VOL	HC10443050
C832		9965 000 01352	ELECT. 470µF 63V	EA47706310	QG02		4822 209 83631	IC NJM4558D-D	HC10008090
C833		4822 124 22571	ELECT. 10µF M 50V RA-2	OA10605020	QG03		4822 130 63634	TRS.2SA1837 Q OR Y	HT118372A0
C834			ELECT. 47µF M 35V RA-2	OA47603520	QG04		4822 130 61227	DIG.TRS.	BA10001000
C835		4822 122 30043	CER. 0.01µF +80%-20% 50V	DK18103310				DTA114ES UN4111 10k 10k	
C840		4822 124 22571	ELECT. 10µF M 50V RA-2	OA10605020	QG05		4822 130 43818	TRS.2SC2878 A OR BRANK	HT328782A0
C841		4822 122 30043	CER. 0.01µF +80%-20% 50V	DK18103310	QG06		4822 130 43818	TRS.2SC2878 A OR BRANK	HT328782A0

POS. NO	VERS. COLOR	PART NO. (FOR PCS)	DESCRIPTION	PART NO. (MJJ)	POS. NO	VERS. COLOR	PART NO. (FOR PCS)	DESCRIPTION	PART NO. (MJJ)			
QG07		4822 130 61227	DIG.TR.S. DTA114ES UN4111 10k 10k	BA10001000	JN55	/K,/S	9965 000 01775	SPK. TERMANAL 4P BB/RR IEC	YT01040840			
QS01		4822 209 83631	IC NJM4558D-D	HC10008090	JN55	/U	4822 280 10305	SPK. TERMANAL BB/RR	YT01040850			
QS11					RELAY VB-18MBU-565-UL3	LY20180020						
QS12					RELAY VB-18MBU-565-UL3	LY20180020						
QS13					RELAY VB-18MBU-565-UL3	LY20180020						
QS14					BUSHING SPK.TERMINAL CAP	227J259010						
QS15					BUSHING SPK.TERMINAL CAP	227J259020						
QS16		4822 130 61227	DIG.TR.S. DTA114ES UN4111 10k 10k	BA10001000	014K	/K,/S	4822 280 10305	BUSHING SPK.TERMINAL CAP	227J259010			
QS17		4822 130 43818	TRS.2SC2878 A OR BRANK	HT328782A0	014K	/U		BUSHING SPK.TERMINAL CAP	227J259020			
QS20												
QS21		4822 130 61227	DIG.TR.S. DTA114ES UN4111 10k 10k	BA10001000	CN71	/S		4822 122 30103	CER. 0.022µF +80%-20% 50V	DK18223310		
QS22		4822 130 61227	DIG.TR.S. DTA114ES UN4111 10k 10k	BA10001000	CN72	/S		4822 122 30043	CER. 0.01µF +80%-20% 50V	DK18103310		
QS23		4822 130 43818	TRS.2SC2878 A OR BRANK	HT328782A0	JN71	/K,/S		9965 000 01776	PT74-CENTER SPEAKER TERMINAL CIRCUIT BOARD PT74-CAPACITORS			
QS24		4822 130 43818	TRS.2SC2878 A OR BRANK	HT328782A0	JN71	/U	9965 000 01776	SPK.TERMINAL T6976 2P N B-R	YT01020390			
QS25		4822 209 83631	IC NJM4558D-D	HC10008090	015K	/K,/S		SPK TERMINAL 2P B/R	YT01020410			
QS26		4822 130 90347	PHOTO UNIT PC-817	HW10006320	015K	/U		BUSHING SPK.TERMINAL CAP	227J259010			
QS27		4822 130 61227	PHOTO CUPLER 1PAIR DIG.TR.S .DTA114ES UN4111 10k 10k	BA10001000				BUSHING SPK.TERMINAL CAP	227J259020			
▲ Q802		9965 000 01354	IC L780S15 +15V 1A	HC38915030				PT74-MISCELLANEOUS				
▲ Q803		4822 209 31864	IC NJM7915FA -15V 1A	HC39915090	CU01			9965 000 01776	SPK.TERMINAL T6976 2P	YT01020390		
▲ Q804			TRS.2SD1415	HT41415100	CU02		4822 126 11558	CER. 0.1µF +80%-20% 50V	DA17104110			
▲ Q805		4822 209 31864	IC NJM7915FA -15V 1A	HC39915090	CU03		4822 126 11558	CER. 0.1µF +80%-20% 50V	DA17104110			
▲ Q808		4822 209 61533	IC NJM7806FA +6V	HC38906090	CU04		4822 126 11558	CER. 0.1µF +80%-20% 50V	DA17104110			
Q809		4822 130 61666	TRS.2SC3419 O OR Y	HT334192A0	CU05		4822 126 10935	ELECT. 100µF 6.3V	EJ10700610			
Q810		4822 130 41947	TRS.2SC2458 2SC1704S 2SC3199 ETC.	HT30001000	CU06		4822 126 10364	CER. 100pF ±10%	DA16101110			
▲ Q811		4822 209 15921	IC RESET S-806D-Z SEIKO	HC10077530	CU07		4822 126 10364	CER. 100pF ±10%	DA16101110			
Q812		4822 130 61227	DIG.TR.S.DTA114ES ETC	BA10001000	CU08		4822 126 10364	CER. 100pF ±10%	DA16101110			
Q813		4822 130 60588	DIG.TR.S.DTC114ES ETC	BA20001000	CU09		4822 126 11558	CER. 0.1µF +80%-20% 50V	DA17104110			
JS01		4822 267 31451	PS04-MISCELLANEOUS TERMINAL 8P CINCH YKC21-3052	YT02080110	CU10		4822 126 11558	CER. 0.1µF +80%-20% 50V	DA17104110			
JS03		4822 265 10748	TERMINAL 14X14 RA 2L6P W/R NI FLM-GND	YT02060460	CU11		4822 126 11558	CER. 0.1µF +80%-20% 50V	DA17104110			
JS04		4822 265 10748	TERMINAL 14X14 RA 2L6P W/R NI FLM-GND	YT02060460	CU12		4822 126 11558	CER. 0.1µF +80%-20% 50V	DA17104110			
JS06		4822 265 10748	TERMINAL 14X14 RA 2L6P W/R NI FLM-GND	YT02060460	CU13		4822 126 11558	CER. 0.1µF +80%-20% 50V	DA17104110			
JS07		9965 000 01357	TERMINAL 4P RCA ORGX2 GRNX2 NI DUAL-GND	YT02041260	CU13		4822 126 11558	CER. 1000pF ±10%	DK16102300			
LG01		9965 000 01576	RELAY MR82-24USR	LY20240480				PU04-RESISTORS (COMMON) CARBON FILM FIXED RES. ±5% 1/6W : CU14 RU01-RU09 RU11-RU19 RU21-RU29 RU31 RU34-RU48 RU51-RU63				
▲ L801		9965 000 01353	RELAY FTR-F1AA024T FOR SUPPLY	LY20240460				PU04-SEMICONDUCTORS				
CN51		4822 122 30043	CER. 0.01µF +80%-20% 50V	DK18103310	DU01		4822 130 11363	L.E.D. LT3K44B GREEN 30mA	HI10095320			
CN58	/S							DU02		4822 130 11363	L.E.D. LT3K44B GREEN 30mA	HI10095320
DN51					4822 130 82421	DIODE 1D3	HD20002710	DU03		4822 130 11363	L.E.D. LT3K44B GREEN 30mA	HI10095320
DN52					4822 130 82421	DIODE 1D3	HD20002710	DU04		4822 130 11363	L.E.D. LT3K44B GREEN 30mA	HI10095320
DN53					4822 130 82421	DIODE 1D3	HD20002710	DU05		4822 130 11363	L.E.D. LT3K44B GREEN 30mA	HI10095320
JN54	/K,/S				9965 000 01774	SPK. TERMANAL 4P RR/BB IEC	YT01040830	DU06		4822 130 11363	L.E.D. LT3K44B GREEN 30mA	HI10095320
JN54	/U					SPK 4P TERMINAL RR/BB	YT01040860	DU07		4822 130 11363	L.E.D. HLMF-K200 RED	HI10005340
								DU08		4822 130 11363	L.E.D. HLMF-K200 RED	HI10005340
								DU09		4822 130 11363	L.E.D. HLMF-K200 RED	HI10005340
								DU10		4822 130 11363	L.E.D. LT3K44B GREEN 30mA	HI10095320
					DU11		4822 130 11363	L.E.D. LT3K44B GREEN 30mA	HI10095320			
					DU12		4822 130 11363	L.E.D. LT3K44B GREEN 30mA	HI10095320			
					DU13		4822 130 11363	L.E.D. LT3K44B GREEN 30mA	HI10095320			
					DU14		4822 130 11363	L.E.D. LT3K44B GREEN 30mA	HI10095320			
					DU15		4822 130 11363	L.E.D. LT3K44B GREEN 30mA	HI10095320			
					DU16		4822 130 11363	L.E.D. LT3K44B GREEN 30mA	HI10095320			
					DU17		4822 130 11363	L.E.D. LT3K44B GREEN 30mA	HI10095320			
					DU18		4822 130 11363	L.E.D. LT3K44B GREEN 30mA	HI10095320			
					DU20		4822 130 32362	L.E.D. HLMF-K200 RED	HI10005340			
					DU21		4822 130 32362	DIODE 1SS176 MA165 1SS254 30V 0.1A	HD20002000			
								DIODE 1SS176 MA165 1SS254 30V 0.1A	HD20002000			

POS. NO	VERS. COLOR	PART NO. (FOR PCS)	DESCRIPTION	PART NO. (MJI)
QU01		4822 209 90244	IC μ PD16311GC-AB6 FTD DRIVER	HC10283060
QU02		4822 209 16846	IC NJU3718L	HC10171090
QU03 }		4822 130 41947	TRS.2SC2458 2SC1740S 2SC3199 ETC.	HT30001000
QU06 QU07		4822 130 63211	DIG.TRS. DTA114TS UN4115 10K	BA10004000
PU04-MISCELLANEOUS				
SU01 }		9965 000 00373	PUSH SWITCH EVQ11L05R 160GF	SP01013370
SU26 SU32		9965 000 01348	SWITCH ROTARY ENCODER FOR MASTER	SR02010070
SU33		9965 000 01349	SWITCH ROTARY ENCODER FOR INP.SELECT	SR02010080
VU01		9965 000 01350	DISPLAY UNIT SVA-12MM20 FL DISPLAY	HQ31201920
PU74-STANDBY LED CIRCUIT BOARD				
CU71 DU71 RU71		4822 122 40617	CER. 0.1 μ F +80%-20% 50V L.E.D. HLMF-K200 RED RES. 680 Ω \pm 5% 1/6W	DD38104010 HI10005340 GD05681160
PU84-IR SENSOR CIRCUIT BOARD				
CU81 CU82 QU81		4822 122 40588 4822 124 80087 4822 209 16157	CER. 0.022 μ F \pm 10% ELECT. 220 μ F 6.3V PHOTO UNIT PNA4655M00XB IR SENSOR	DA17223110 EJ22700610 HW10005020
PU94-GYRO ENCODER CIRCUIT BOARD				
CU91 QU91		4822 122 40617 4822 130 11143	CER. 0.1 μ F +80%-20% 50V DC PHOTO UNIT GP1A06 2PHASE PHOTOINTERRUPTER RES. 330 Ω \pm 5% 1/6W	DD38104010 HW10033320
RU91				GD05331160
PW04-HEADPHONE CIRCUIT BOARD PW04-CAPACITORS				
CW01 CW02 CW03 CW04		4822 122 40586 4822 122 40586 4822 122 40617 4822 122 40617	CER. 0.01 μ F \pm 20% CER. 0.01 μ F \pm 20% CER. 0.1 μ F +80%-20% 50V CER. 0.1 μ F +80%-20% 50V	DA17103110 DA17103110 DD38104010 DD38104010
PW04-MISCELLANEOUS				
JW01 JW01	/K./S /U	4822 265 10685	JACK HLJ2307-01-3163 JACK HLJ2307-01-3160	YJ01004330 YJ01004240
PY04-μ-COM CIRCUIT BOARD PY04-CAPACITORS				
CY01 CY02 CY04 CY07 CY08 CY09 CY10 CY11 }		4822 126 11687 4822 124 23056 5322 126 11583 4822 126 13303 5322 126 11583 5322 126 11583 5322 126 11583 4822 126 11687	CER. CHIP 0.1 μ F +80%-20% ELECT. 47 μ F 10V CER. CHIP 0.01 μ F \pm 10% B 25V CER. CHIP 1 μ F +80%-20% 10V CER. CHIP 0.01 μ F \pm 10% B 25V CER. CHIP 0.01 μ F \pm 10% B 25V CER. CHIP 0.01 μ F \pm 10% B 25V CER. CHIP 0.1 μ F +80%-20%	DK98104200 EJ47601010 DK96103200 DK98105200 DK96103200 DK96103200 DK96103200 DK98104200
CY19 CY25 CY26 CY30		53 22 126 11578 4822 126 11687	CER. CHIP 1000pF \pm 10% B 50V CER. CHIP 0.1 μ F +80%-20% BIG ELECT. 1F 5.5V DB-5R5D105	DK96102300 DK98104200 EX10500530

POS. NO	VERS. COLOR	PART NO. (FOR PCS)	DESCRIPTION	PART NO. (MJI)
PY04-RESISTORS				
RY01 RY02 RY03 RY04 RY05 RY06 }		4822 051 30479 4822 116 83819 4822 051 30473 4822 051 30473 4822 051 30473	CHIP 47 Ω \pm 5% 1/16W CHIP 18k Ω \pm 5% 1/16W CHIP 47k Ω \pm 5% 1/16W CHIP 47k Ω \pm 5% 1/16W CHIP 47k Ω \pm 5% 1/16W	NN05470610 NN05183610 NN05473610 NN05473610 NN05473610
RY11 RY12 RY13 RY14 RY15 RY16 RY17 RY19 RY20 RY22 RY23 RY24 }		4822 051 30103 4822 051 30105 4822 051 30103 4822 051 30473 4822 116 82487 4822 051 30473 4822 116 82487 4822 116 82487 4822 051 30473 4822 051 30473 4822 116 82487	CHIP 10k Ω \pm 5% 1/16W CHIP 1M Ω \pm 5% 1/16W CHIP 10k Ω \pm 5% 1/16W CHIP 47k Ω \pm 5% 1/16W CHIP 0 Ω \pm 5% 1/16W CHIP 47k Ω \pm 5% 1/16W CHIP 0 Ω \pm 5% 1/16W CHIP 0 Ω \pm 5% 1/16W CHIP 47k Ω \pm 5% 1/16W CHIP 47k Ω \pm 5% 1/16W CHIP 0 Ω \pm 5% 1/16W	NN05103610 NN05105610 NN05103610 NN05473610 NN05000610 NN05473610 NN05000610 NN05000610 NN05473610 NN05473610 NN05000610
RY31 RY32 RY33 RY34 RY35 RY36 RY37 RY38 }		4822 116 82487 4822 116 82487 4822 116 82487 4822 051 30221 4822 116 82487 4822 116 82487	CHIP 0 Ω \pm 5% 1/16W CHIP 0 Ω \pm 5% 1/16W CHIP 0 Ω \pm 5% 1/16W CHIP 220 Ω \pm 5% 1/16W CHIP 0 Ω \pm 5% 1/16W CHIP 0 Ω \pm 5% 1/16W	NN05000610 NN05000610 NN05000610 NN05221610 NN05000610 NN05000610
RY45 RY46 }		4822 051 30221 4822 116 82487	CHIP 220 Ω \pm 5% 1/16W CHIP 0 Ω \pm 5% 1/16W	NN05221610 NN05000610
RY56 RY57 RY58 RY59 RY60 RY64 RY65 RY66 RY67 RY68		4822 051 30473 4822 051 30103 4822 051 30683 4822 051 30103 4822 051 30273 4822 051 30221 4822 051 30221 4822 051 30103 4822 051 30273	CHIP 47k Ω \pm 5% 1/16W CHIP 10k Ω \pm 5% 1/16W CHIP 68k Ω \pm 5% 1/16W CHIP 10k Ω \pm 5% 1/16W CHIP 27k Ω \pm 5% 1/16W CHIP 220 Ω \pm 5% 1/16W CHIP 220 Ω \pm 5% 1/16W CHIP 10k Ω \pm 5% 1/16W CHIP 27k Ω \pm 5% 1/16W	NN05473610 NN05103610 NN05683610 NN05103610 NN05273610 NN05221610 NN05221610 NN05103610 NN05273610
PY04-SEMICONDUCTORS				
DY01 DY02 DY03 DY04		4822 130 80522 4822 130 80522 4822 130 83715 4822 130 80522	CHIP DIODE 1SS300 DAP202U CHIP DIODE 1SS300 DAP202U CHIP DIODE 1SS301 DAN202U CHIP DIODE 1SS300 DAP202U	HZ21006000 HZ21006000 HZ21005000 HZ21006000
QY01 QY02 QY03 QY04 QY05 QY06 QY07 QY08 QY09 QY10		4822 130 41947 4822 130 61227 4822 130 42594 4822 130 61227 4822 130 61227 4822 130 60588 4822 130 61227 4822 130 60588 4822 130 61227	MICROPROCESSOR TMP93CW40DF MAIN CPU TRS.2SC2458 2SC1740S 2SC3199 ETC. DIG.TRS. DTA114ES UN4111 10k 10k DIG.TRS. DTC144ES UN4213 47k 47k DIG.TRS. DTA114ES UN4111 10k 10k DIG.TRS. DTA114ES UN4111 10k 10k DIG.TRS. DTC114ES UN4211 10k 10k DIG.TRS. DTA114ES UN4111 10k 10k DIG.TRS. DTC114ES UN4211 10k 10k DIG.TRS. DTA114ES UN4111 10k 10k	HU300JT00F HT30001000 BA10001000 BA20002000 BA10001000 BA10001000 BA20001000 BA10001000 BA20001000 BA10001000 BA20001000 BA10001000 BA20001000 BA10001000

POS. NO	VERS. COLOR	PART NO. (FOR PCS)	DESCRIPTION	PART NO. (MJI)	POS. NO	VERS. COLOR	PART NO. (FOR PCS)	DESCRIPTION	PART NO. (MJI)
QY11		4822 130 41947	TRS.2SC2458 2SC1740S 2SC3199 ETC.	HT30001000	CZ06		4822 124 23112	ELECT. 10µF 16V	EQ10601630
QY12		4822 130 41947	TRS.2SC2458 2SC1740S 2SC3199 ETC.	HT30001000	CZ10				
QY13		4822 130 60588	DIG.TR.S.DTC114ES UN4211/KRC102M	BA20001000	CZ11		4822 124 22571	ELECT. 10µF M 50V RA-2	OA10605020
QY14		4822 130 61227	DIG.TR.S.DTA114ES UN4111/KRA102M-AT	BA10001000	CZ25				
QY15		4822 209 12845	IC S-80730SN-DT-X RESET	HC10054530	CZ26		4822 124 23112	ELECT. 10µF 16V	EQ10601630
WY01		4822 321 23704	JUMPER LEAD SMCD-33X100-BDX10-P1 25-S6	YU33100500	CZ27		4822 124 22571	ELECT. 10µF M 50V RA-2	OA10605020
XY01		9965 000 01346	SERAMIC VIB. CST20.00MXW0H1 20MHz	FQ02005030	CZ33		9965 000 01040	ELECT. 470µF M 6.3V RA-2	OA47700620
WY51		4822 321 62312	JUMPER LEAD 33P-200 P1.25 SMCD-33X200	YU33200510	CZ34				
CY61		4822 122 30043	CER. 0.01µF +80%-20% 50V	DK18103310	CZ35		4822 124 22571	ELECT. 10µF M 50V RA-2	OA10605020
CY62		4822 124 22571	ELECT. 10µF M 50V	OA10605020	CZ42				
DY61		4822 130 82421	DIODE 1D3 1A 200V	HD20002710	CZ43	/K,/S	4822 126 10362	CER. 22pF ±5%	DA15220110
▲ LY61		9965 000 01353	RELAY FTR-F1AA024T FOR FIL.SWITCH	LY20240460	CZ44	/U	4822 122 33792	CER. 10pF ±5%	DA15100120
QY61		4822 130 61666	TRS.2SC3419	HT334192A0	CZ45	/K,/S	4822 126 11553	CER. 15pF ±5%	DA15150120
▲ RY61		4822 115 90167	FUSE 100Ω ±2% 1/4W	NF02101140	CZ46		4822 126 11591	CER. 24pF ±5% CH 50V BLK	DD15240300
RY62			RES. 10kΩ ±5% 1/6W	GD05103160	CZ47		4822 126 10362	CER. 22pF ±5%	DA15220110
RY63			RES. 10kΩ ±5% 1/6W	GD05103160	CZ49		4822 124 41543	ELECT. 1µF M 50V RA-2	OA10505020
					CZ50		4822 122 40617	CER. 0.1µF +80%-20% 50V	DD38104010
					CZ51		4822 124 41537	ELECT. 220µF M 6.3V RA-2	OA22700620
					CZ52		4822 124 41543	ELECT. 1µF M 50V RA-2	OA10505020
					CZ53			JUMPER	75060501P0
					CZ54			JUMPER	75060501P0
					CZ65		4822 122 30043	CER. 0.01µF +80%-20% 50V	DK18103310
					CZ66		4822 124 41537	ELECT. 220µF M 6.3V	OA22700620
					CZ67		4822 122 30043	CER. 0.01µF +80%-20% 50V	DK18103310
					CZ68		4822 124 41537	ELECT. 220µF M 6.3V RA-2	OA22700620
					CZ69				
					CZ76		4822 122 30043	CER. 0.01µF +80%-20% 50V	DK18103310
					CZ80		4822 124 22571	ELECT. 10µF M 50V RA-2	OA10605020
					CZ81		4822 124 22571	ELECT. 10µF M 50V RA-2	OA10605020
					CZ82		9965 000 01040	ELECT. 470µF M 6.3V RA-2	OA47700620
					CZ83		4822 124 23112	ELECT. 10µF 16V	EQ10601630
					CZ84		4822 124 22571	ELECT. 10µF M 50V RA-2	OA10605020
					CZ85		9965 000 01040	ELECT. 470µF M 6.3V RA-2	OA47700620
					CZ86		4822 124 22571	ELECT. 10µF M 50V RA-2	OA10605020
					CZ87		4822 124 22571	ELECT. 10µF M 50V RA-2	OA10605020
					CZ88		4822 124 22571	ELECT. 10µF M 50V RA-2	OA10605020
					CZ89				
					CZ92		4822 122 30043	CER. 0.01µF +80%-20% 50V	DK18103310
					CZ93		4822 124 90353	ELECT. 100µF M 10V RA-2	OA10701020
					CZ94		4822 122 30043	CER. 0.01µF +80%-20% 50V	DK18103310
					CZ95		4822 124 90353	ELECT. 100µF M 10V RA-2	OA10701020
					CZ97		4822 124 90353	ELECT. 100µF M 10V RA-2	OA10701020
					CZ98		4822 122 30043	CER. 0.01µF +80%-20% 50V	DK18103310
					C***			PZ04-CAPACITOR (COMMON) HIGH DIELECTRIC CONSTANT CER. CAPACITOR ±10% 50V : CX92 CZ48	
					▲ RX11		4822 050 21801	180Ω ±5% 1/4W	GG05181140
					RZ06				
					RZ15		4822 111 41355	75Ω ±5% 1/6W	GD05750160
					RZ22			JUMPER	75060501P0
					RZ23			JUMPER	75060501P0
					RZ36				
					RZ41			JUMPER	75060501P0
CZ01									
CZ05		4822 124 22571	ELECT. 10µF M 50V RA-2	OA10605020					

POS. NO	VERS. COLOR	PART NO. (FOR PCS)	DESCRIPTION	PART NO. (MUJ)
F***			PZ04-RESISTORS (COMMON) CARBON FILM FIXED RES. ±5% 1/6W : RX01-RX10 RX12-RX22 RX24-RX29 RZ01-RZ05 RZ16-RZ20 RZ34 RZ35 RZ42-RZ48 RZ50 RZ51 RZ53 RZ54 RZ56-RZ60 RZ67	
			PZ04-SEMICONDUCTORS	
DX01		4822 130 80321	ZENER DIODE 10V	HD31001000
DZ01				
}		4822 130 32362	DIODE 1SS176 MA165 1SS254	HD20002000
DZ03			30V 0.1A	
DZ05		4822 130 32362	DIODE 1SS176 MA165 1SS254	HD20002000
			30V 0.1A	
DZ19		9965 000 01374	ZENER DIODE MTZ 2.7B 2.7V	HD30271000
QX01				
}		4822 130 41947	TRS.2SC536SP ETC	HT30001000
QX04				
QX05	/K,/S	4822 130 63211	DIG.TRS. DTA114TS UN4115 10K	BA10004000
QX07		4822 130 60588	DIG.TRS. DTC114ES UN4211 10k 10k	BA20001000
QZ01		9965 000 01371	IC MM1140XF	HC10083550
QZ02			IC BA7612N	HC10201210
QZ03		9965 000 01371	IC MM1140XF	HC10083550
QZ04			IC BA7612N	HC10201210
QZ05		9965 000 01372	IC BA7649A G-1 VIDEO SW	HC10179210
QZ06			IC BA7613N	HC10202210
QZ07		9965 000 01372	IC BA7649A G-1 VIDEO SW	HC10179210
QZ08			IC BA7612N	HC10201210
QZ09			IC NJM2244 3IN SW 75Ω DRIVER	HC10119090
QZ10		9965 000 01379	IC NJM2263D	HC10198090
QZ11			IC LC74781 OSD	HC10377030
QZ12	/K,/S	4822 130 61227	DIG.TRS.DTA114ES ETC	BA10001000
QZ13	/K,/S	4822 130 61189	DIG.TRS. DTC114TS UN4215 10K	BA20004000
QZ14	/K,/S	4822 130 61189	DIG.TRS. DTC114TS UN4215 10K	BA20004000
QZ19			IC NJM2244 3IN SW 75Ω DRIVER	HC10119090
QZ20		9965 000 01379	IC NJM2263D	HC10198090
QZ21		4822 130 60588	DIG.TRS. DTC114ES UN4211 10k 10k	BA20001000
QZ22		9965 000 01380	IC 74HC4051 DIP	HC705100B0
QZ23		4822 209 83088	IC NJM2903D DUAL COMPARATOR	HC10022090
QZ24		4822 130 61227	DIG.TRS.DTA114ES ETC	BA10001000
QZ25		4822 130 61227	DIG.TRS.DTA114ES ETC	BA10001000
QZ26		4822 130 41947	TRS.2SC2458 2SC1740S 2SC3199 ETC.	HT30001000
QZ27		4822 130 60588	DIG.TRS. DTC114ES UN4211 10k 10k	BA20001000
QZ28		9965 000 01381	IC 74HC32 DIP	HC703200B0
QZ29			IC TC74HC132AP	HC713205D0
			PZ04-MISCELLANEOUS	
JZ01		4822 265 31302	TERMINAL 3P S TERMINAL	YT02030350
JZ02		4822 265 20725	TERMINAL 2P S TERMINAL	YT02021320
JZ03		4822 265 31302	TERMINAL 3P S TERMINAL	YT02030350
LX01		4822 157 62909	CHOKE COIL 22μH	LC12233800
LZ01		4822 157 62922	CHOKE COIL 33μH J	LC13333800
LZ02		4822 242 73843	EMI FILTER DSS306-91-F-223Z	FM12223010
LZ03		4822 242 73843	EMI FILTER DSS306-91-F-233Z	FM12223010
XZ01	/K,/S	4822 242 73903	CRYSTAL AT49 17.7MHz	JX17001260
XZ02		4822 242 80288	CRYSTAL AT49 14.31818MHz	JX14001260