

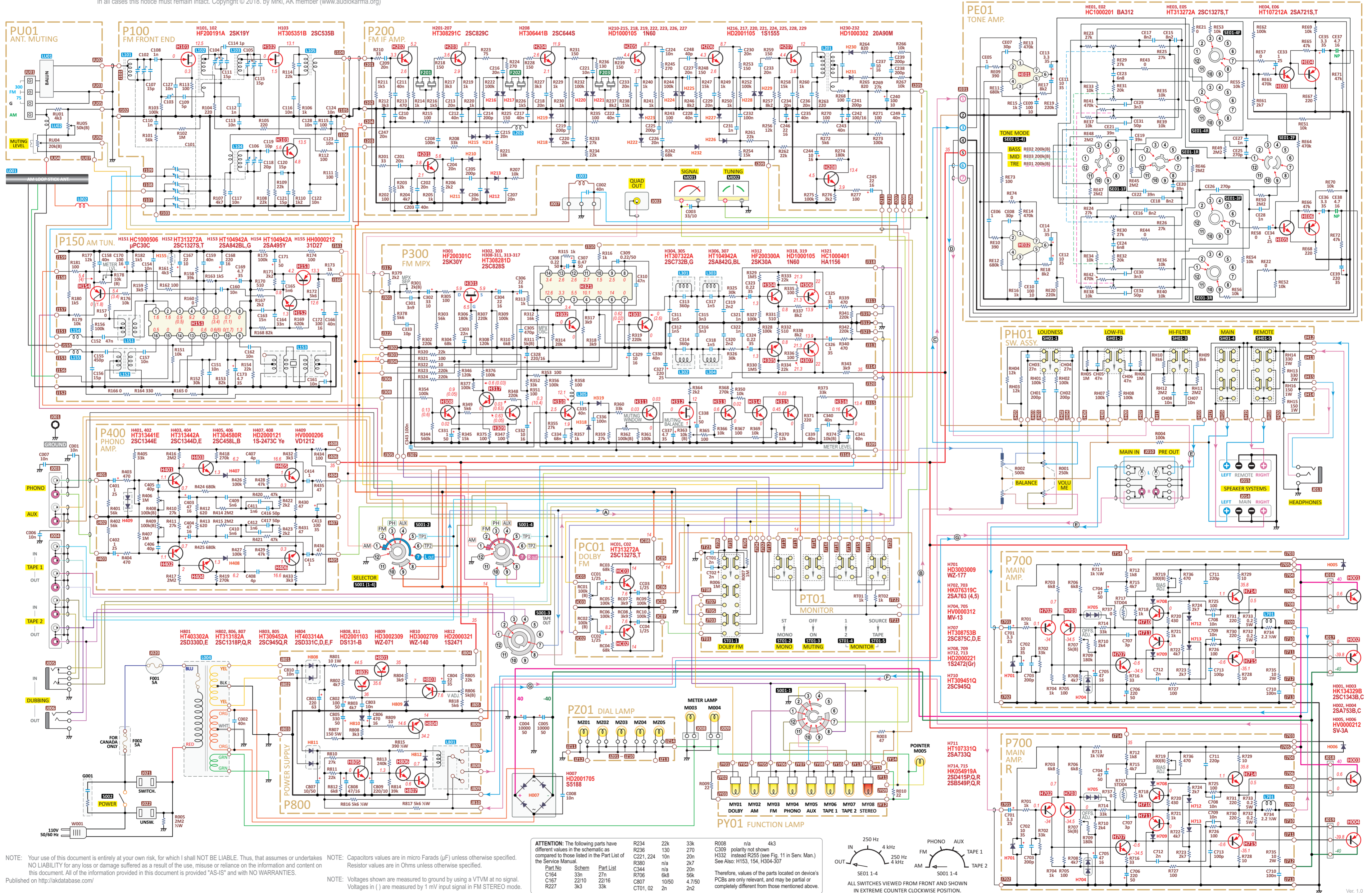


# marantz

This is a custom vector drawing based on Marantz original schematic, made by my own. The size is ISO A2 (594x420 mm) but may be scaled to any size for printing and/or viewing. You may download to a local hard disk extracts and/or print this document for personal (non commercial) and educational use only. Commercial copying, hiring, lending of this document or any part of this document is prohibited. You may not distribute or commercially exploit the content. Nor may you transmit it or store it in any other website or other form of electronic retrieval system. In all cases this notice must remain intact. Copyright © 2018. by Mrki, AK member (www.audiokarma.org)

# SCHEMATIC DIAGRAM FOR MODEL 2250b

## USA Version



NOTE: Your use of this document is entirely at your own risk, for which I shall NOT BE LIABLE. Thus, that assumes or undertakes NO LIABILITY for any loss or damage suffered as a result of the use, misuse or reliance on the information and content on this document. All of the information provided in this document is provided "AS-IS" and with NO WARRANTIES. Published on <http://akdatabase.com/>

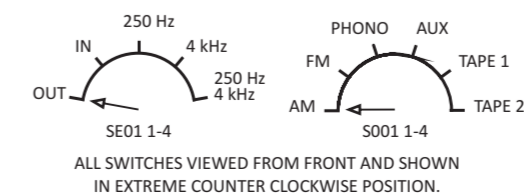
NOTE: Capacitors values are in micro Farads (uF) unless otherwise specified. Resistor values are in Ohms unless otherwise specified.

NOTE: Voltages shown are measured to ground by using a VTVM at no signal. Voltages in ( ) are measured by 1 mV input signal in FM STEREO mode.

ATTENTION: The following parts have different values in the schematic as compared to those listed in the Part List of the Service Manual.

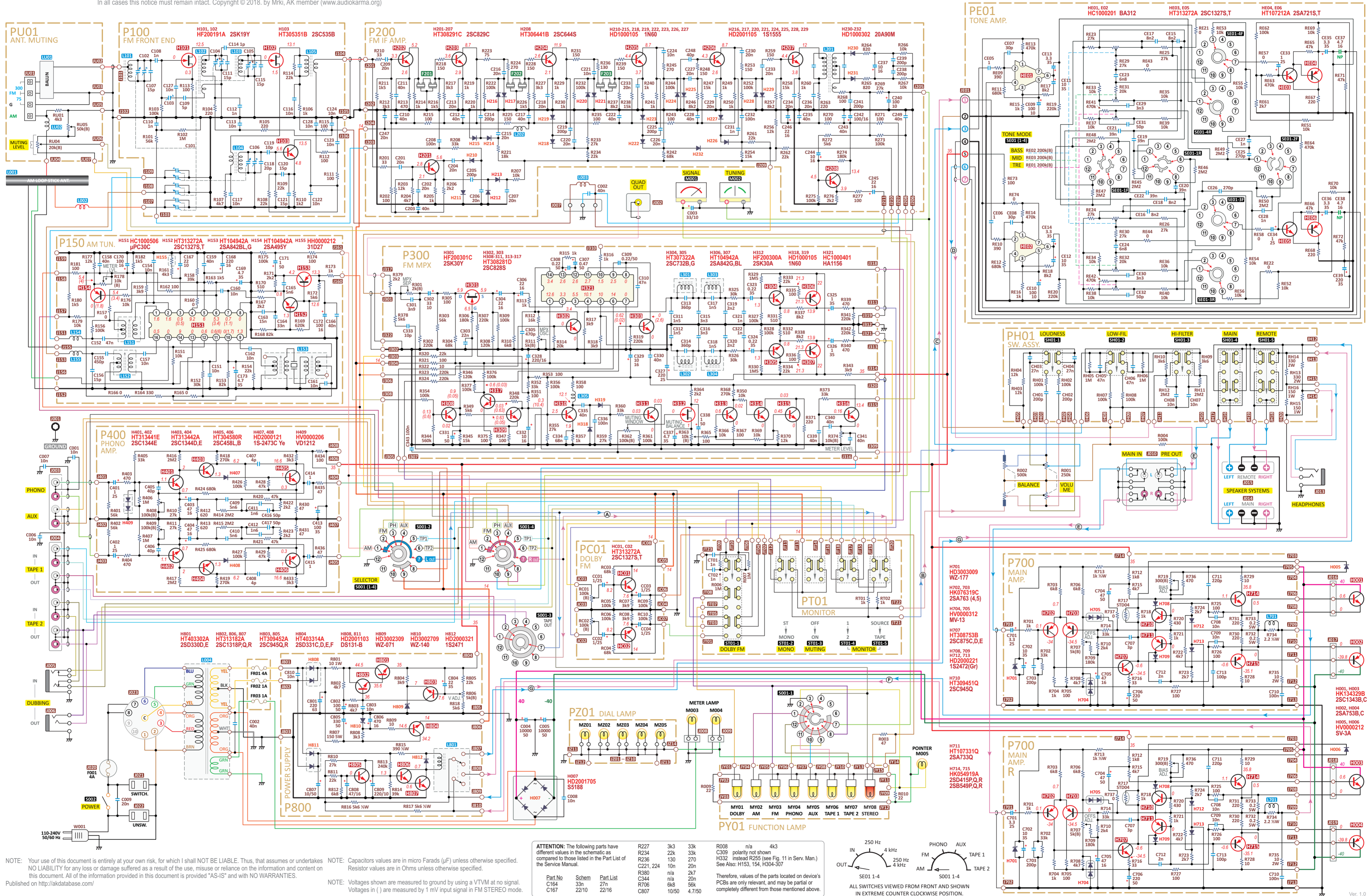
Part No	Schem	Part List
C164	33n	27n
C167	2210	2216
R227	3k3	33k
R234	22k	33k
R236	130	270
C221, 224	10n	20n
R380	n/a	2k7
C344	n/a	20n
R706	6k8	56k
R708	10k50	47/50
CT01, 02	2n	2n2
R008	n/a	4k3
C309	polarity not shown	
H332	instead R255 (see Fig. 11 in Serv. Man.)	
See Also:	H153, 154, H304-307	

Therefore, values of the parts located on device's PCBs are only relevant, and may be partial or completely different from those mentioned above.





This is a custom vector drawing based on Marantz original schematic, made by my own. The size is ISO A2 (594x420 mm) but may be scaled to any size for printing and/or viewing. You may download to a local hard disk extracts and/or print this document for personal (non commercial) and educational use only. Commercial copying, hiring, lending of this document or any part of this document is prohibited. You may not distribute or commercially exploit the content. Nor may you transmit it or store it in any other website or other form of electronic retrieval system. In all cases this notice must remain intact. Copyright © 2018, by Mrki, AK member (www.audiokarma.org)



NOTE: Your use of this document is entirely at your own risk, for which I shall NOT BE LIABLE. Thus, that assumes or undertakes NO LIABILITY for any loss or damage suffered as a result of the use, misuse or reliance on the information and content on this document. All of the information provided in this document is provided "AS-IS" and with NO WARRANTIES. Published on <http://akdatabase.com/>

NOTE: Capacitors values are in micro Farads (uF) unless otherwise specified. Resistor values are in Ohms unless otherwise specified.

NOTE: Voltages shown are measured to ground by using a VTVM at no signal. Voltages in ( ) are measured by 1 mV input signal in FM STEREO mode.

ATTENTION: The following parts have different values in the schematic as compared to those listed in the Part List of the Service Manual.

Part No	Schem	Part List
R227	3k3	33k
R236	130	270
C221, 224	10n	20n
R380	n/a	2k7
C344	n/a	20n
R706	6k8	56k
C807	10/50	10/50
R008	n/a	4k3
C309	polarity not shown	C330
H332	instead R255 (see Fig. 11 in Serv. Man.)	See Also: H153, 154, H304-307

Therefore, values of the parts located on device's PCBs are only relevant, and may be partial or completely different from those mentioned above.

