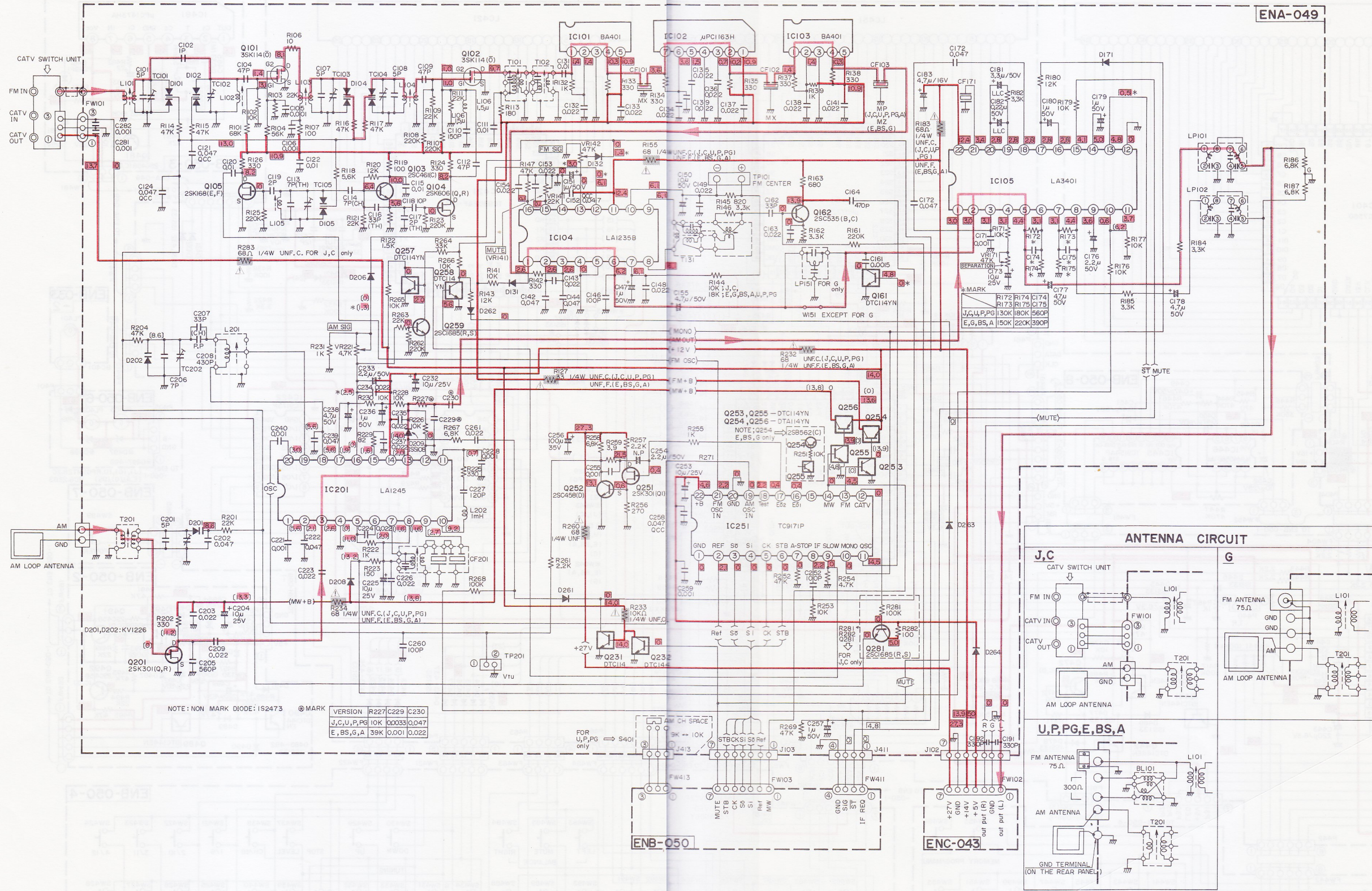


Schematic Diagram

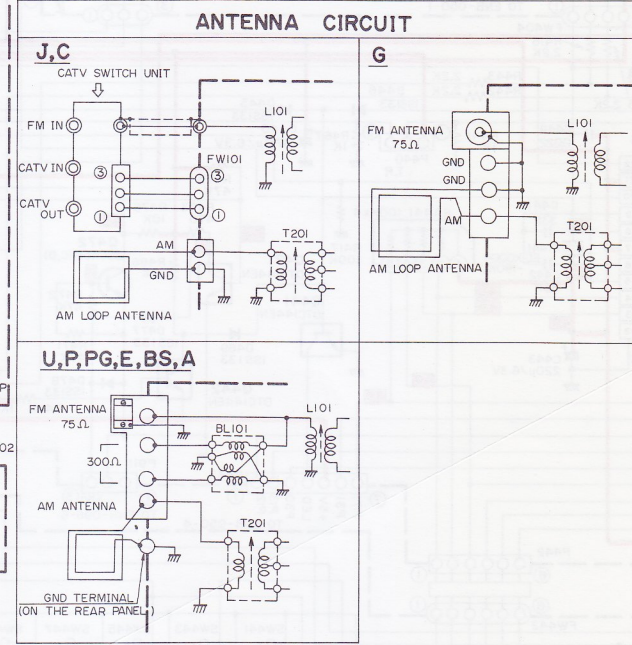
(1) Tuner Section

ENA-049



- Notes:**
1. indicates ± B power supply.
 2. indicates signal path.
 3. / shows DC voltage to the chassis with no signal input.
- ...FM ...AM

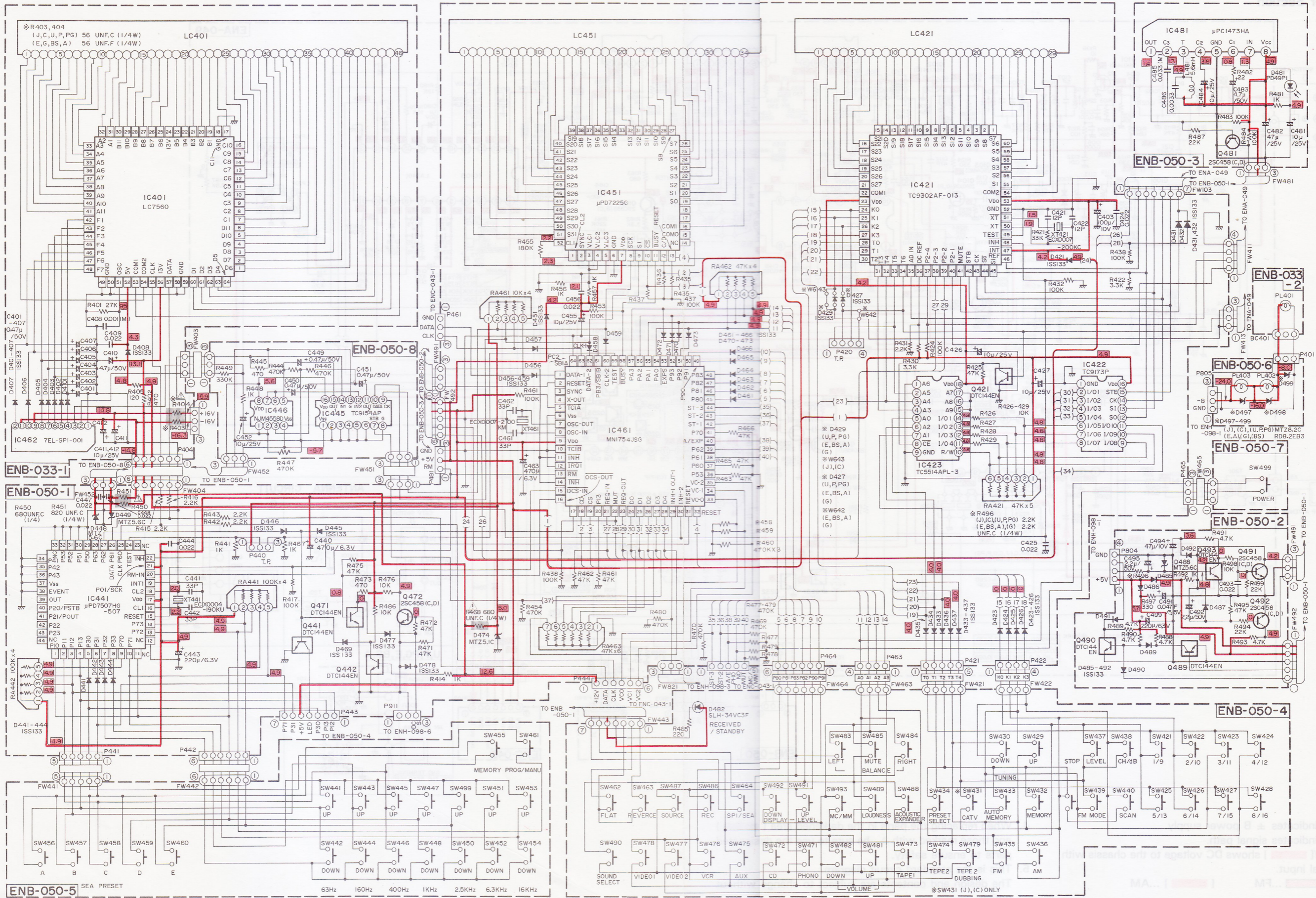
4. When replacing the parts in the darkened area () and those marked with △, be sure to use the designated parts to ensure safety.
5. This is the standard circuit diagram. The design and contents are subject to change without notice.



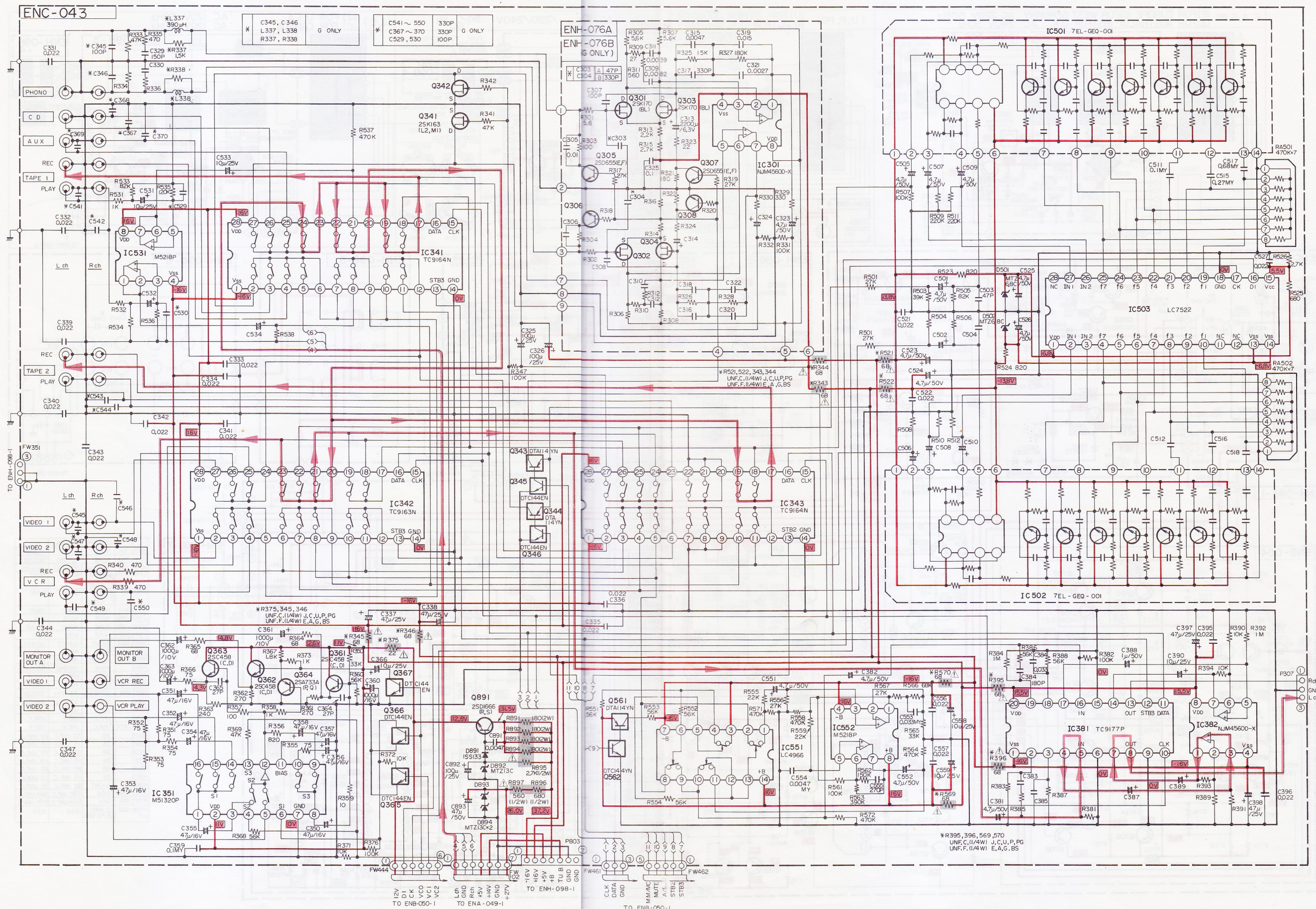
ENB-050

ENC-043

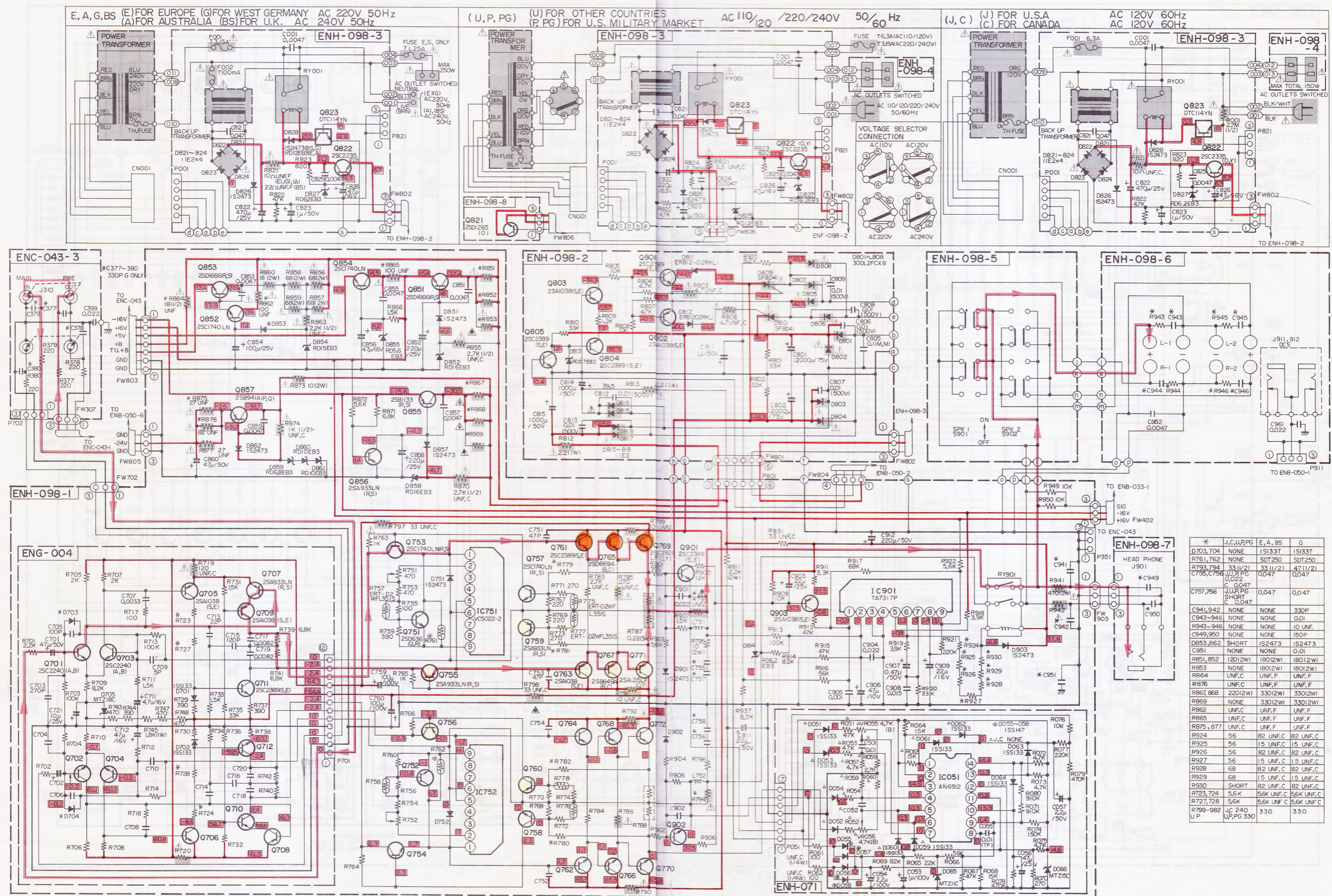
(2) Logic Section



(3) Pre-Amplifier Section



(4) Power Amplifier Section



*	J,C,U,PG	E,A,BS	G
D703,704	NONE	IS133T	IS133T
R761,762	NONE	SDT250	SDT250
R793,794	33(I/2)	33(I/2)	47(I/2)
C755,C756	J,U,PG	0.047	0.047
	SHORT	0.022	0.022
	SHORT	0.047	0.047
C941,942	NONE	NONE	330P
C943-946	NONE	NONE	0.01
R943-946	NONE	NONE	10 UNF.
C949,950	NONE	NONE	150P
D853,862	SHORT	IS2473	IS2473
C951	NONE	NONE	0.01
R851,852	120(2W)	180(2W)	180(2W)
R853	NONE	180(2W)	180(2W)
R864	UNF.C	UNF.F	UNF.F
R876	UNF.C	UNF.F	UNF.F
R867,868	220(2W)	330(2W)	330(2W)
R869	NONE	330(2W)	330(2W)
R862	UNF.C	UNF.F	UNF.F
R865	UNF.C	UNF.F	UNF.F
R875,877	UNF.C	UNF.F	UNF.F
R924	56	82 UNF.C	82 UNF.C
R925	56	15 UNF.C	15 UNF.C
R926	56	82 UNF.C	82 UNF.C
R927	56	15 UNF.C	15 UNF.C
R928	68	82 UNF.C	82 UNF.C
R929	68	15 UNF.C	15 UNF.C
R930	SHORT	82 UNF.C	82 UNF.C
R723,724	5.6K	5.6K UNF.C	5.6K UNF.C
R727,728	5.6K	5.6K UNF.C	5.6K UNF.C
R799-982	J,C 240	330	330
U,P	U,PG 330		