



Division of US JVC Corp.

JVC SERVICE & ENGINEERING COMPANY OF AMERICA
TECHNICAL PUBLICATIONS DEPARTMENT
SERVICE • ENGINEERING • PARTS

107 Little Falls Road
Fairfield, NJ 07004

SERVICE BULLETIN

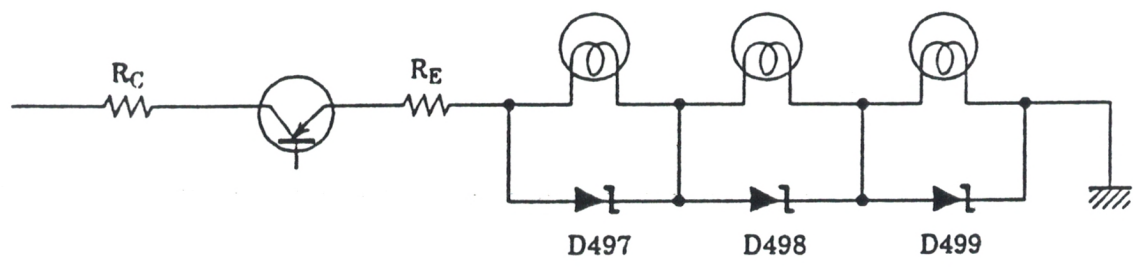
SUBJECT: LAMP CIRCUIT COUNTERMEASURE

REF: SERVICE MANUAL NO. SEE BELOW

DATE: AUGUST 1990

RX-5VBK	2904
RX-7VBK	2921
RX-8VBK	2935
RX-9VBK	2912
RX-550VBK	2976
RX-750VBK	2991
RX-950VBK	2992
RX-999VBK	20056
RX-1001VBK	20057

WHEN THE LAMPS BURN OUT, DIODES D497, 498 & 499 SHORT AND BURN THE PCB. TO PRVENT THIS FROM HAPPENING AGAIN, CHANGE THE LAMPS AND THE THREE DIODES. USE THE NEW PART NUMBER SHOWN BELOW AND KEEP THE DIODES 1/4 INCH OR MORE ABOVE THE PCB USING A SPACER (E48269-001) ON EACH LEAD.



Previous MTZ12JC (500mW)
 ↓
 New RD12FB3 (1000mW)

Home Audio Receiver SERVICE BULLETIN

JVC

Division of US JVC Corp.

JVC SERVICE & ENGINEERING COMPANY OF AMERICA

SERVICE • ENGINEERING • PARTS

107 Little Falls Road
Fairfield, NJ 07004

This bulletin has been issued as a service to our customers. It aids the servicer in repairing this unit.

MODEL: Various Audio Receivers **NUMBER:** SB-9431-B

SUBJECT: Correction of Service Bulletin SB-9002-B **DATE:** September 1994

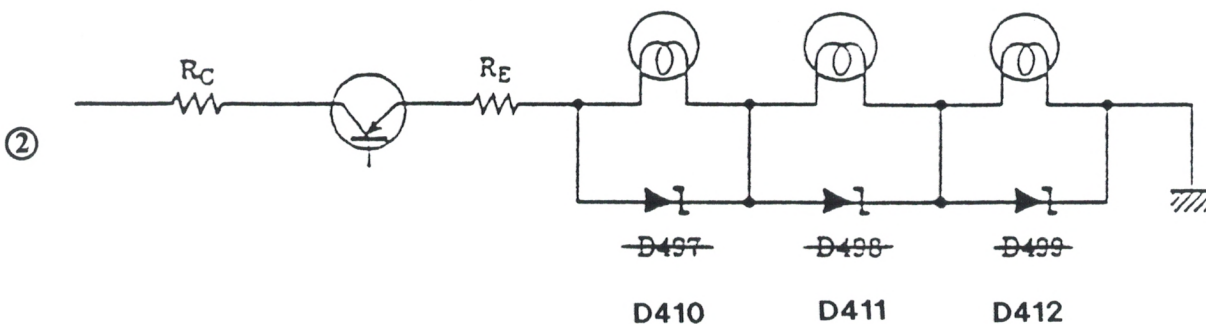
The information contained in Service Bulletin SB-9002-B August 1990 was incorrect for the following four models, and should be corrected:

Model	Manual
RX-750VBK	2991
RX-950VBK	2992
RX-999VBK	20056
RX-1001VBK	20057

The information for the other five models mentioned in that bulletin is correct and should not be changed.

The three needed corrections are as follows:

- ① When any of the lamps burn out, diodes **D410**, **D411**, and **D412** may short. To prevent this from happening again, change the lamps and the three diodes. Use the new part number shown below and keep the diodes 1/4 inch or more above the PCB using a spacer (p/n E48269-001) on each lead.



③

Incorrect	Correct
Previous MTZ12JC (500 mW)	Previous p/n MTZ8.2JC (500 mW)
↓	↓
New RD12FB3 (1000 mW)	New p/n RD8.2FB3 (1000 mW)