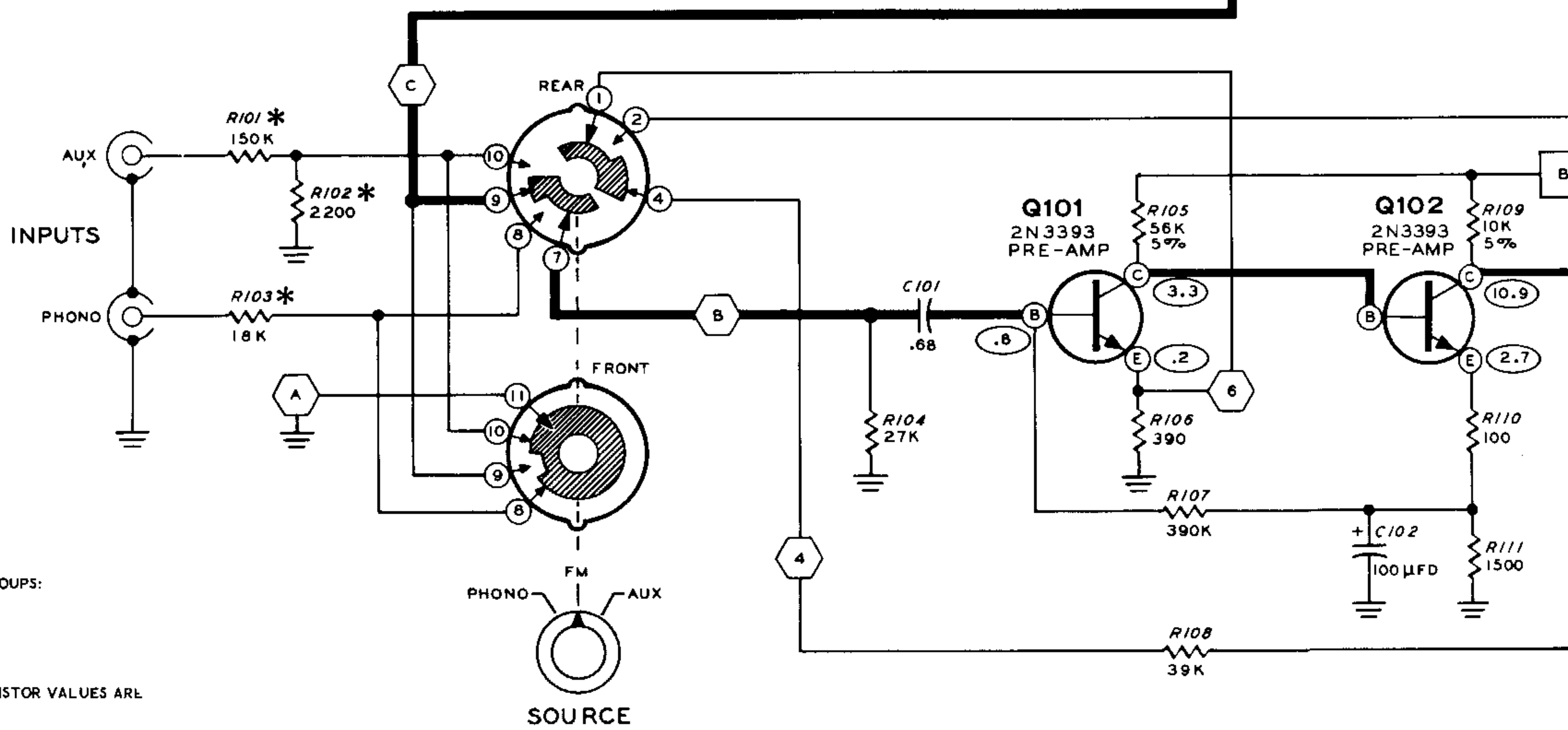
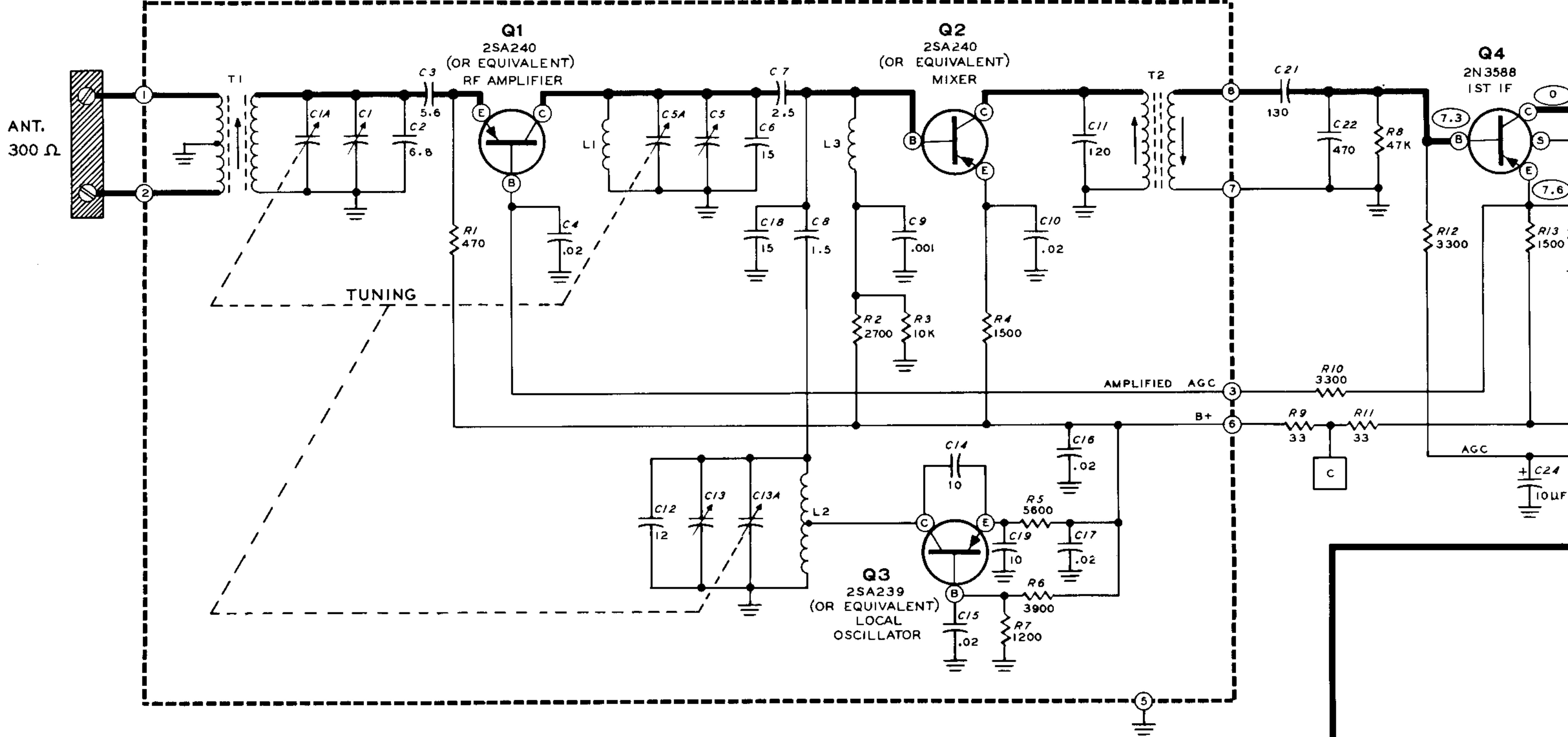


F M TUNING UNIT



**SCHEMATIC OF THE
HEATHKIT®
SOLID-STATE MONO
FM RECEIVER
MODEL AR-27**

NOTE:

1. RESISTOR AND CAPACITOR NUMBERS ARE IN THE FOLLOWING GROUPS:
 0-99 NUMBERS IN THE FM TUNER SECTION.
 100-199 NUMBERS IN THE AMPLIFIER SECTION.
 200-299 NUMBERS IN THE POWER SUPPLY SECTION.
 * DENOTES PARTS NOT MOUNTED ON THE CIRCUIT BOARD.
2. ALL RESISTORS ARE 1/2 WATT UNLESS MARKED OTHERWISE. RESISTOR VALUES ARE IN OHMS (K = 1000, MEG = 100,000).
3. CAPACITOR VALUES LESS THAN 1 ARE IN μfd . VALUES OF 1 AND ABOVE ARE IN pF, UNLESS THEY ARE MARKED OTHERWISE.
4. ○ THIS SYMBOL INDICATES A POSITIVE DC VOLTAGE MEASUREMENT. TAKEN WITH AN 11 MEGOHM ELECTRONIC VOLTMETER OR VTVM FROM THE POINT INDICATED TO CHASSIS GROUND.
5. □ INDICATES B+ VOLTAGE POINTS.
6. ○ INDICATES CONNECTING POINTS ON THE CIRCUIT BOARD.
7. REFER TO THE CIRCUIT BOARD X-RAY VIEW AND CHASSIS PHOTO FOR THE PHYSICAL LOCATION OF PARTS.
8. → INDICATES CW ROTATION.
9. ALL VOLTAGES ARE MEASURED WITH NO SIGNAL INPUT.

