



Transistor Stereo Amplifier

HEATHKIT

LEFT



RIGHT



SELECTORS

SOURCE



MODE

VOLUME



BASS



TREBLE



LEFT

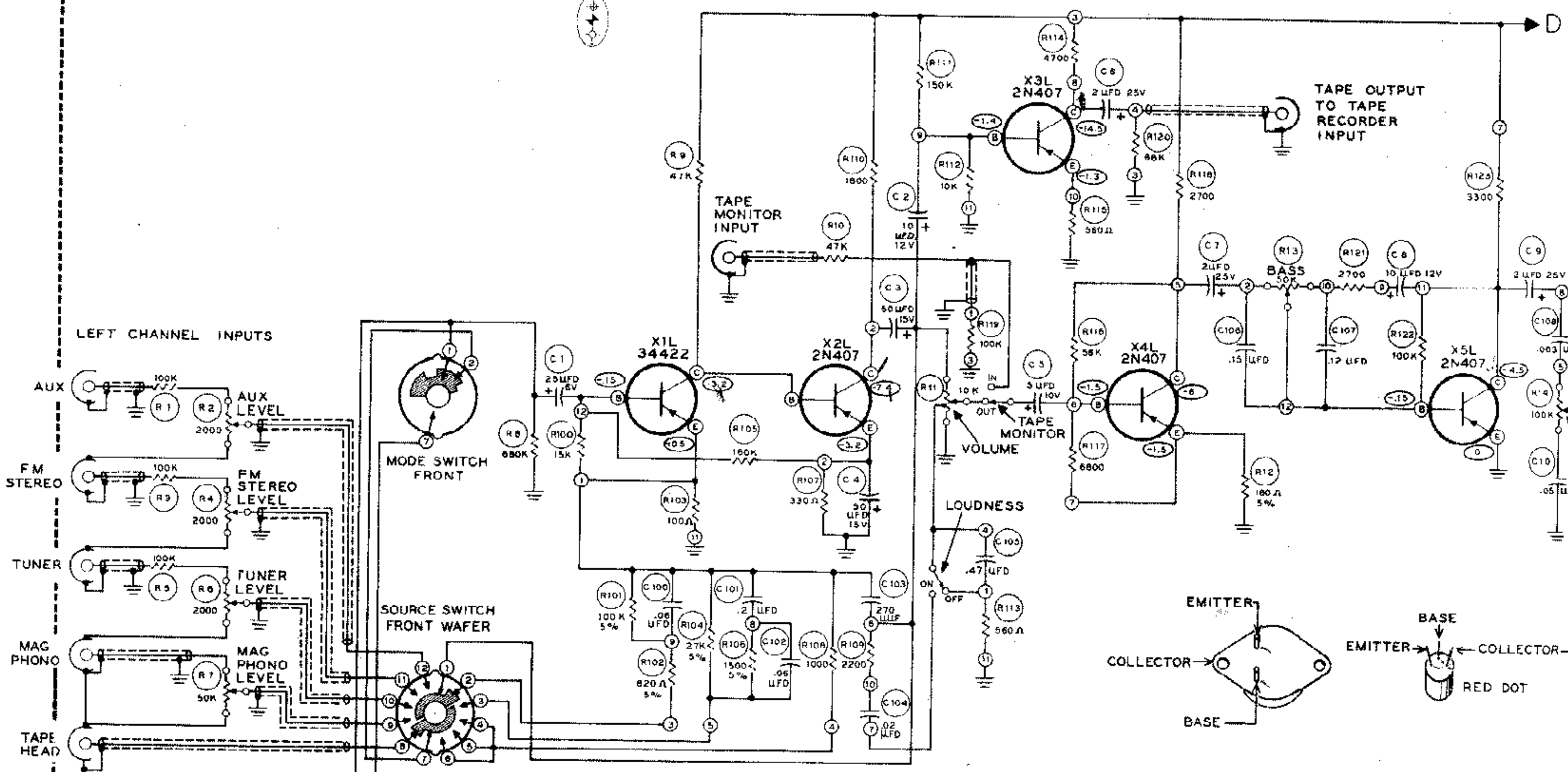


RIGHT

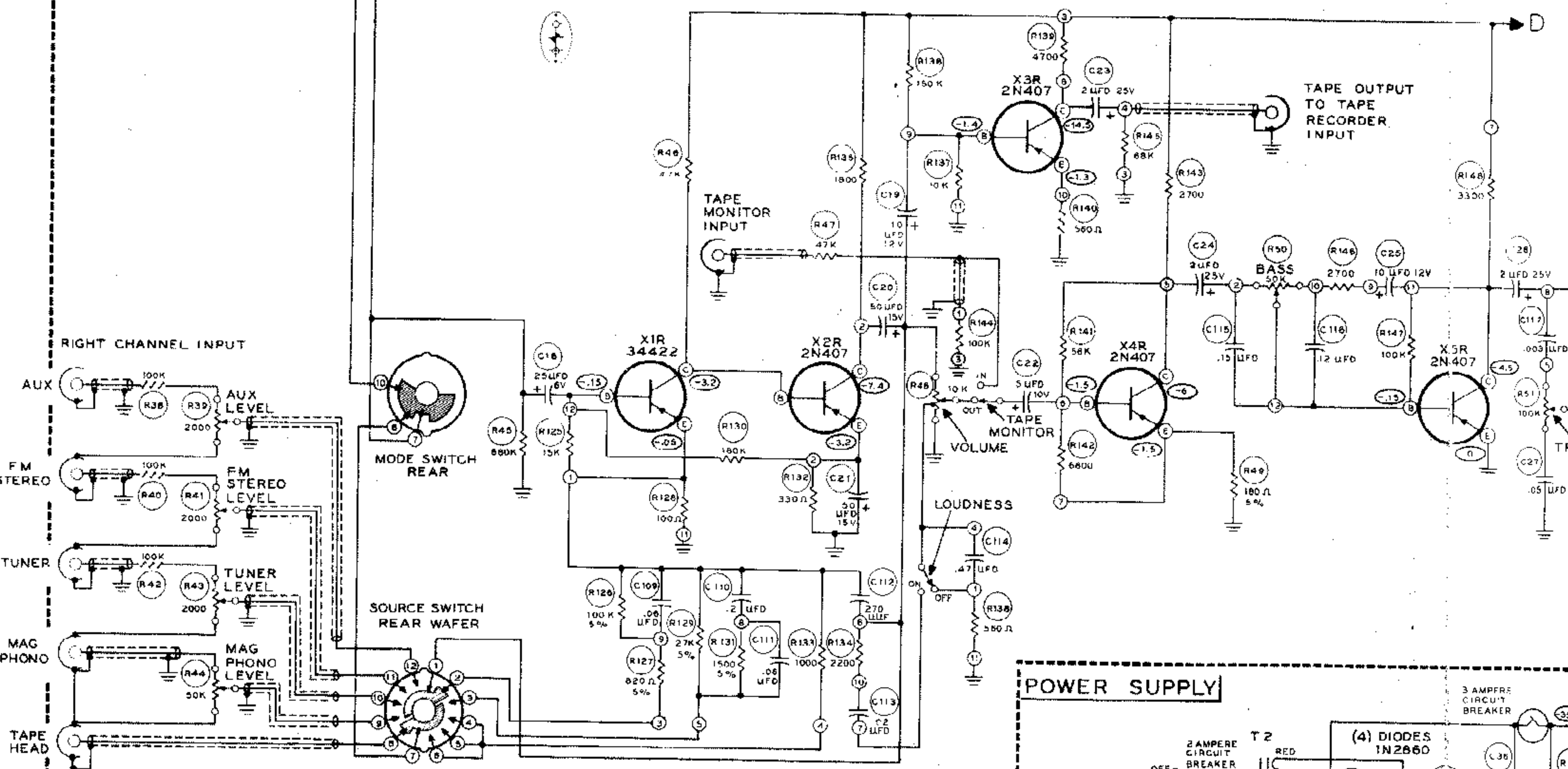
Transistor Stereo Amplifier

HEATHKIT

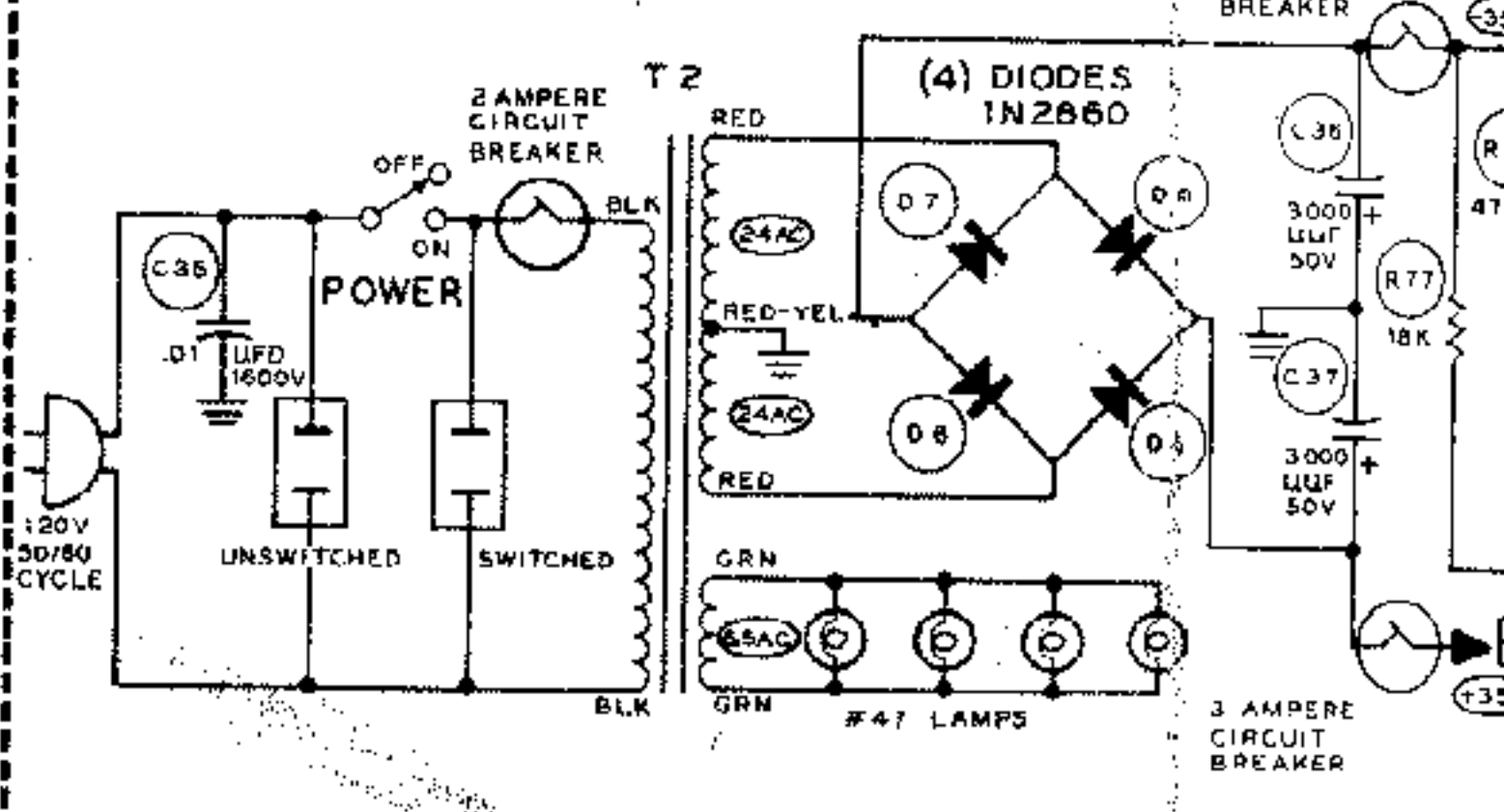
LEFT CHANNEL



RIGHT CHANNEL



POWER SUPPLY



NOTES:

ROTARY SWITCH WAFERS VIEWED FROM SHAFT END OF SWITCH. PHASE SWITCH IN NORMAL POSITION. SOURCE SWITCH SHOWN IN TAPE HEAD POSITION. TAPE MONITOR SWITCH IN OUT POSITION. MODE SWITCH SHOWN IN MONO MIX POSITION. LOUDNESS IN OFF POSITION.

VOLTAGES TAKEN WITH AN 11 MEGOHM INPUT VTVM WITH A 120 VOLT LINE SOURCE.

VOLTAGES MAY VARY ±20% DUE TO TOLERANCE OF COMPONENTS.

DC VOLTAGES TAKEN FROM TEST POINT TO CHASSIS GROUND. UNDER NO-SIGNAL CONDITIONS. WITH LOAD OR SPEAKERS CONNECTED TO OUTPUT TERMINALS.

○ INDICATES VOLTAGE READINGS.

≡ INDICATES CHASSIS GROUND.

100 SERIES IS USED FOR THE R AND C NUMBERS FOR THE RESISTORS AND CAPACITORS IN THE MODULES.

ALL RESISTORS ARE 1/2 WATT UNLESS SPECIFIED OTHERWISE.

ALL RESISTOR VALUES ARE IN OHMS (K = 1000 OHMS).

X1L - LEFT CHANNEL TRANSISTOR.

X1R - RIGHT CHANNEL TRANSISTOR.

C = COLLECTOR.

B = BASE.

E = EMITTER.

* MATCHED GAIN PAIR.

EQUALIZATION NETWORK MODULE #84-28
 BIAS NETWORK MODULE #84-29
 TONE NETWORK MODULE #84-30

