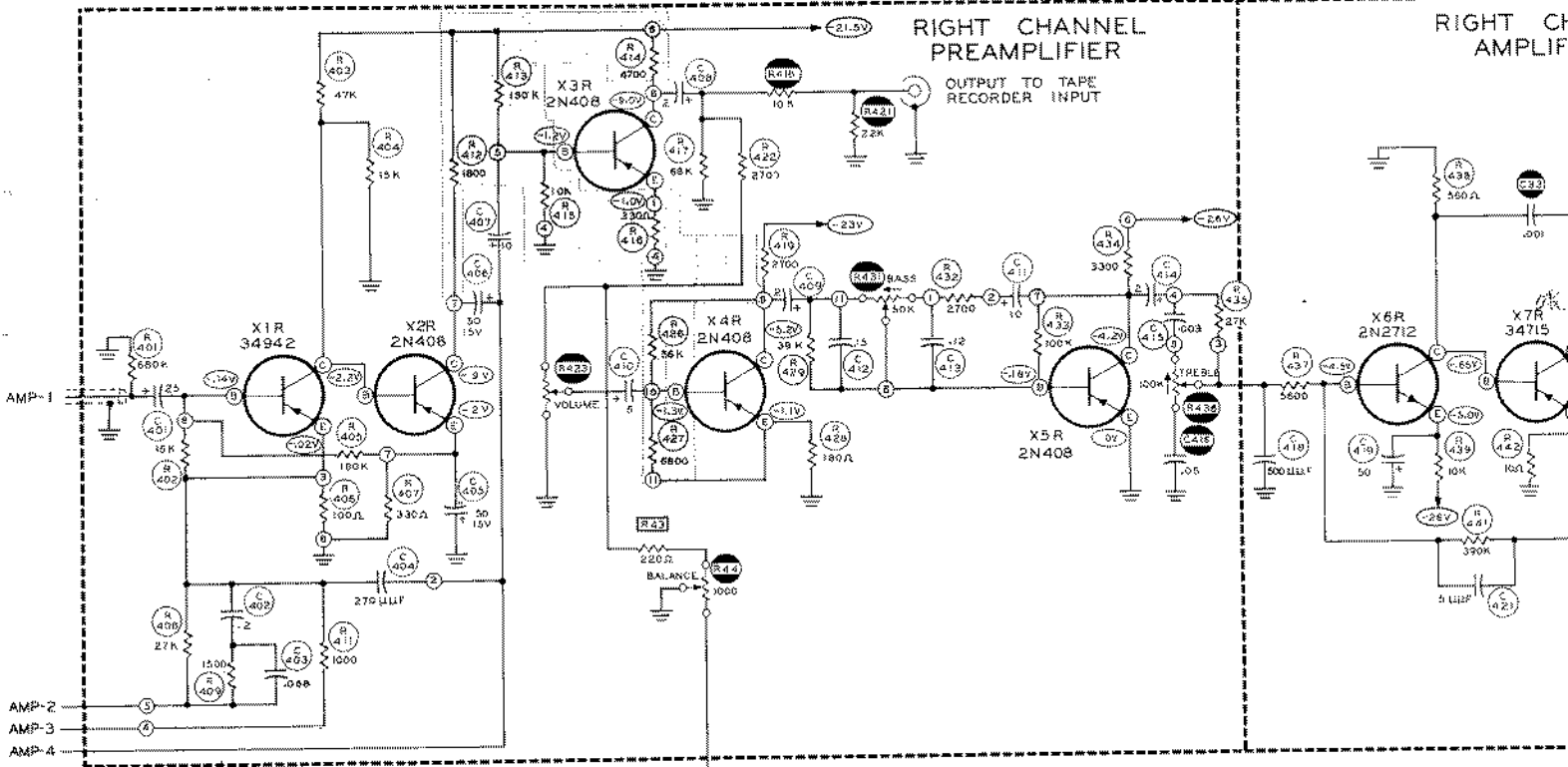
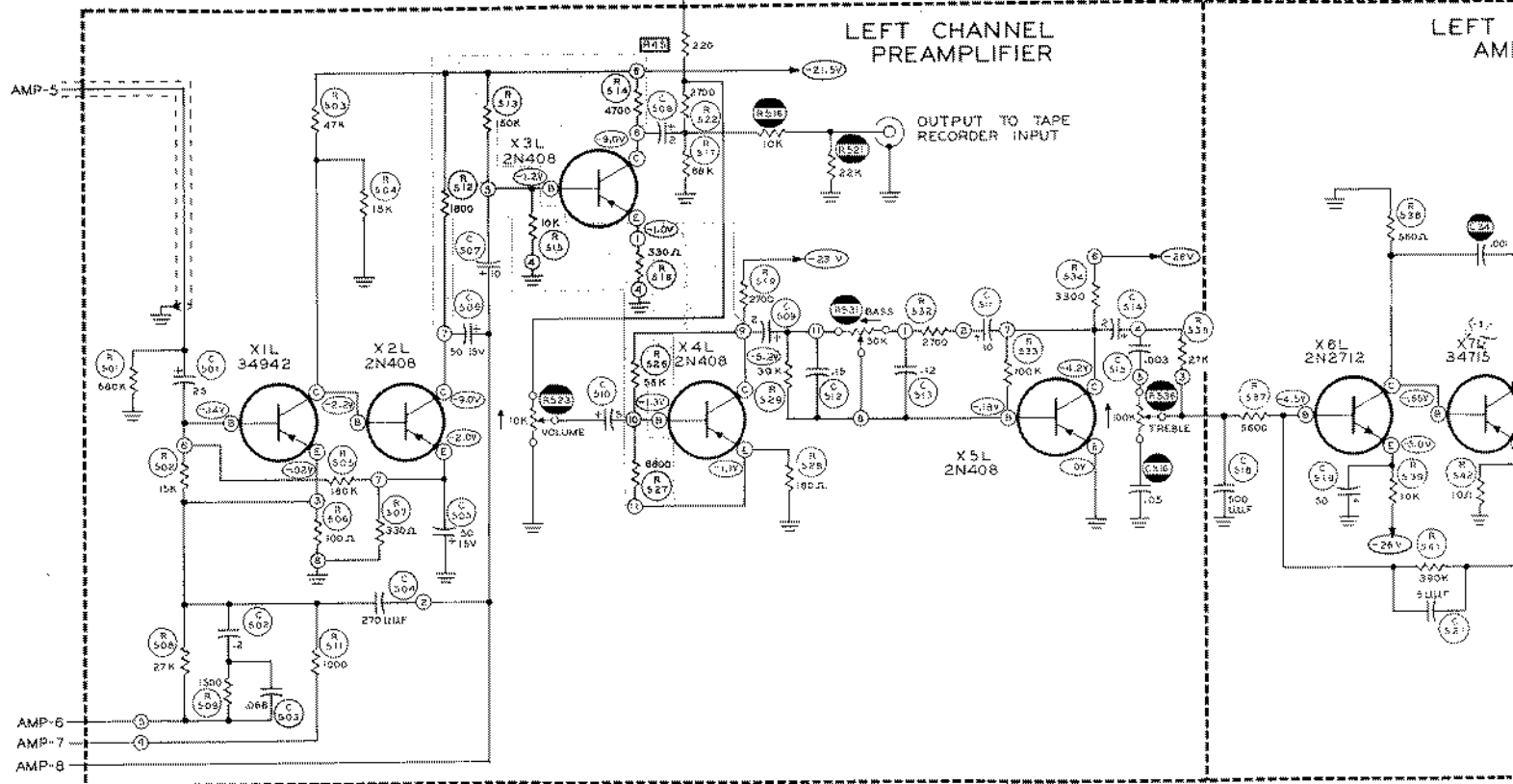


# RIGHT CHANNEL AMPLIFIER CIRCUIT

## FIGURE 4



EQUALIZATION NETWORK P.E.C. (#84-33)  
BIAS NETWORK P.E.C. (#84-34)  
TONE NETWORK P.E.C. (#84-35)



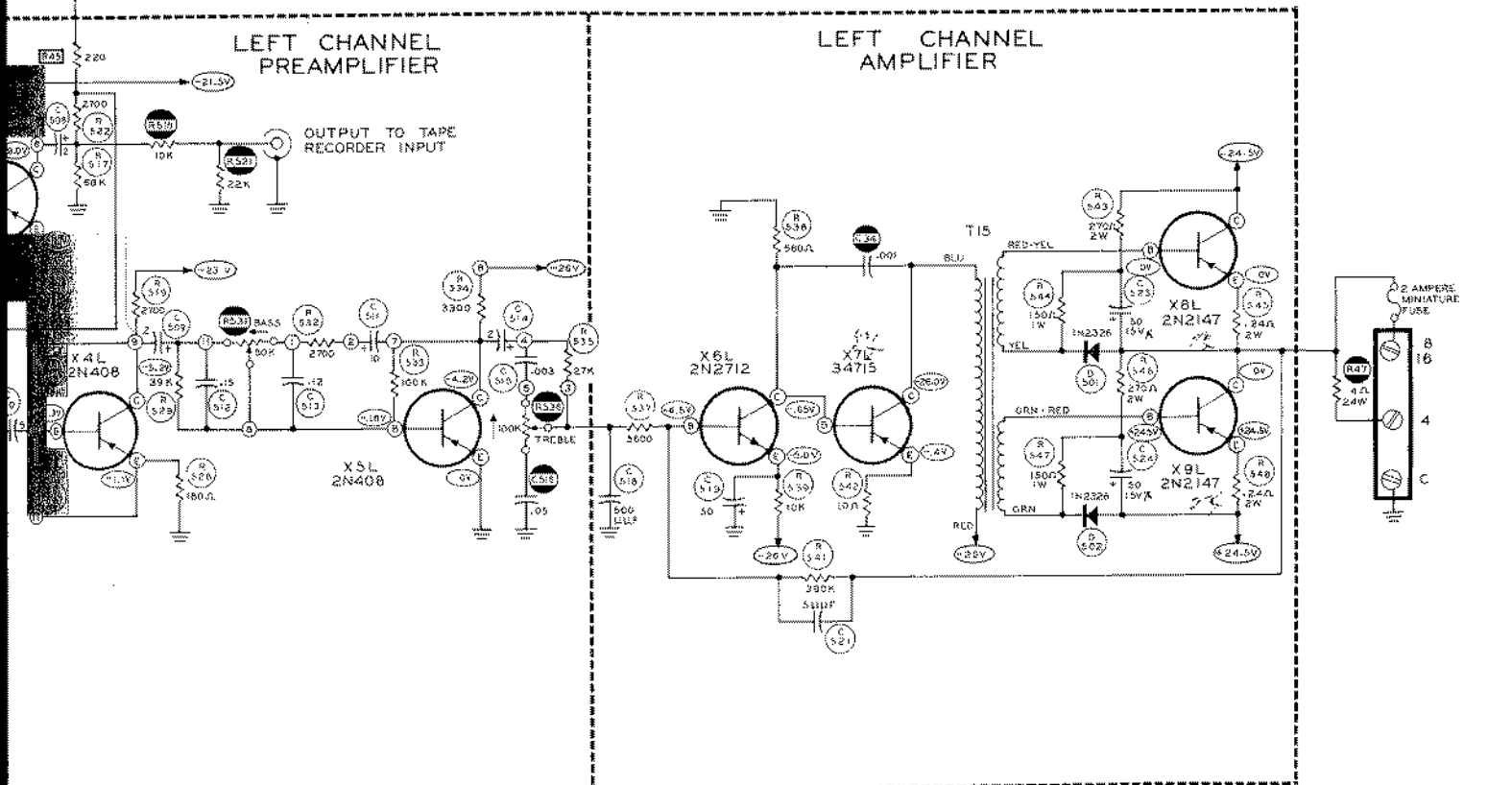
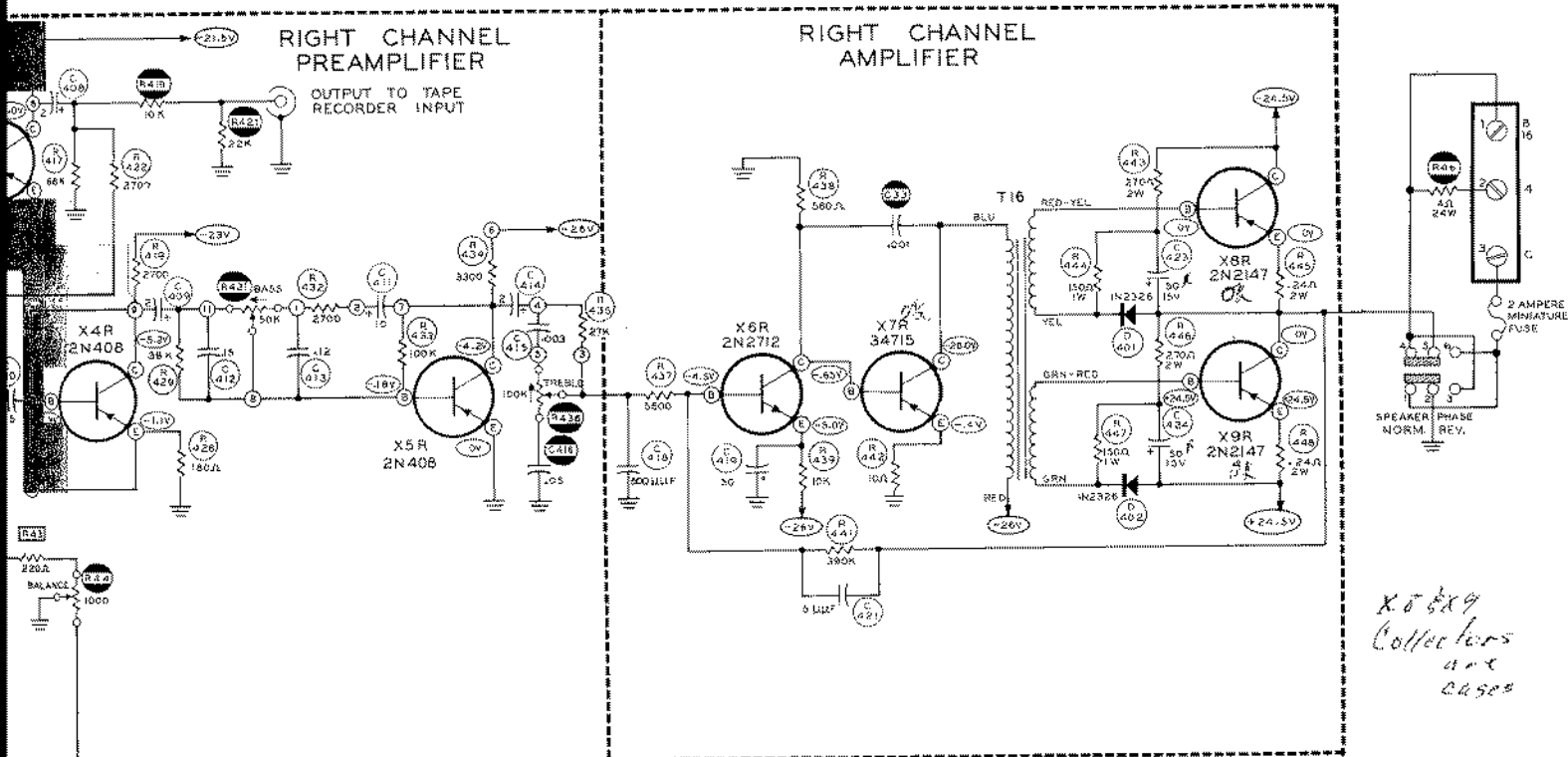
# LEFT CHANNEL AMPLIFIER CIRCUIT

## FIGURE 5

87  
88  
89

# RIGHT CHANNEL AMPLIFIER CIRCUIT

## FIGURE 4



# LEFT CHANNEL AMPLIFIER CIRCUIT

## FIGURE 5