



HARMONY  
MODEL SA-7



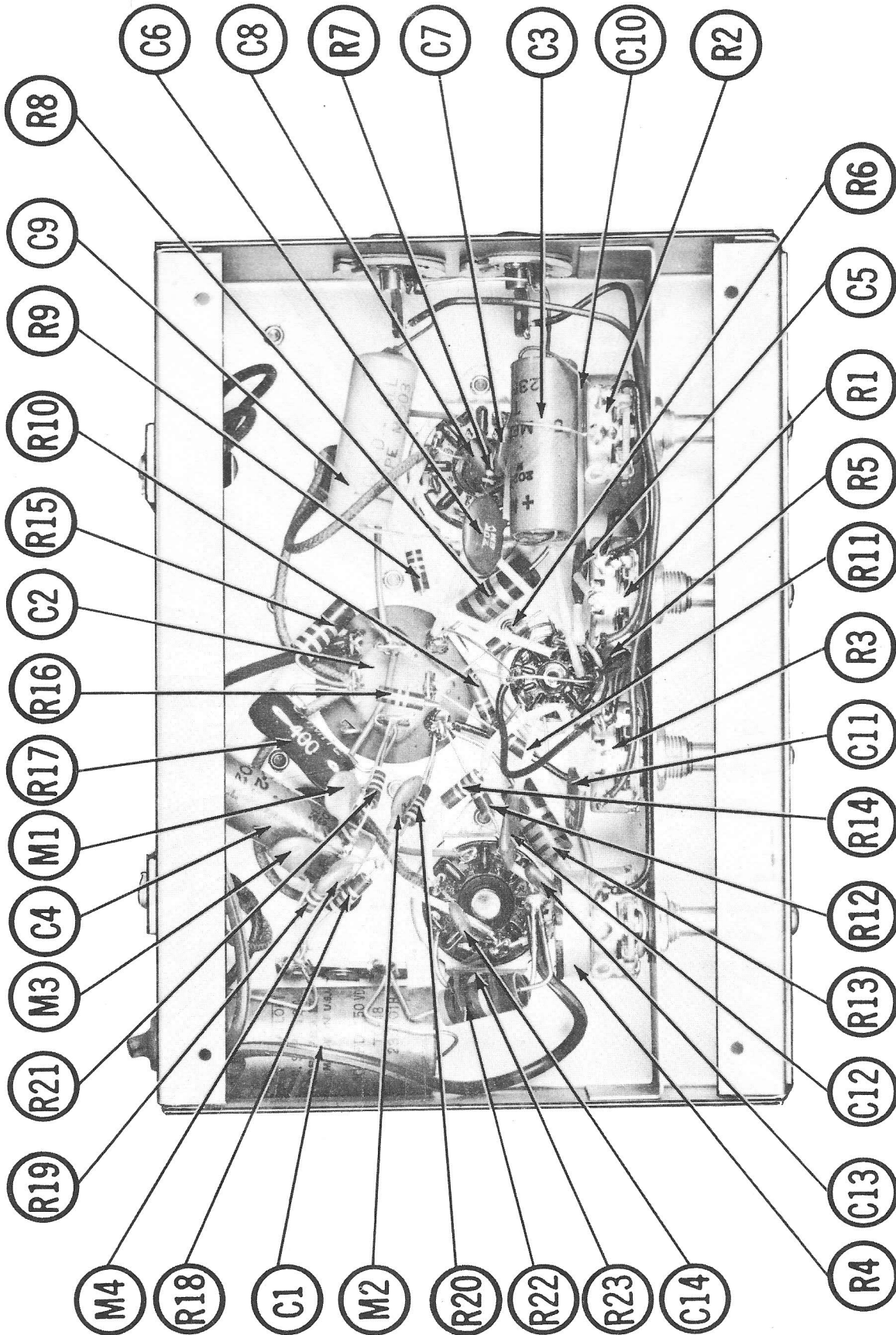
HARMONY  
MODEL SA-7

TRADE NAME	Harmony Model SA-7		
MANUFACTURER	Continental Manufacturing Inc., 1612 California Street, Omaha, Nebraska		
TYPE SET	AC-DC Operated 3 Tube Stereo Amplifier		
POWER SUPPLY	110-120 Volts AC-DC	RATING	52 Watts, .57 Amp. @117 Volts AC

**HOWARD W. SAMS & CO., INC.** Indianapolis 6, Indiana

The listing of any available replacement part herein does not constitute in any case a recommendation, warranty or guaranty by Howard W. Sams & Co., Inc., as to the quality and suitability of such replacement part. The numbers of these parts have been compiled from information furnished to Howard W. Sams & Co., Inc., by the manufacturers of JV407

the particular type of replacement part listed. Reproduction or use, without express permission, of editorial or pictorial content, in any manner, is prohibited. No patent liability is assumed with respect to the use of the information contained herein. © 1959 Howard W. Sams & Co., Inc., Indianapolis 6, Indiana. Printed in U.S. of America



CHASSIS BOTTOM VIEW

# PARTS LIST AND DESCRIPTIONS

## TUBES

ITEM No.	USE	TYPE	GENERAL ELECTRIC		RAYTHEON		SYLVANIA	
			ITEM No.	USE	ITEM No.	TYPE		
V1	Channel 1 AF Amp. - Channel 2 AF Amp.	12AX7	V2	Channel 1 Output	V3	Channel 2 Output	50L6GT	50L6GT

## ELECTROLYTIC CAPACITORS

ITEM No.	RATING	REPLACEMENT DATA						NOTES
		CAP.	VOLT.	AEROVOX PART No.	CORNELL-DUBILIER PART No.	MALLORY PART No.	PYRAMID PART No.	
C1	40	150	PRS1470	BR6015	TC48	TD-40-150	TVA-1413	
C2A	40	350	AFH4-06-40	D0054	FP42L-9	TMQ-119	TVL-4674	
C3	20	350	PRS1265	BER50-25	TC29	TD-50-25	TVA-1206	
C4	50	25	PRS1265	BER50-25	TC29	TD-50-25	TVA-1206	

## FIXED CAPACITORS

Capacity values given in the rating column are in mfd. for Paper Capacitors, and in mmfd. for Mica and Ceramic Capacitors.

ITEM No.	RATING	REMARKS	REPLACEMENT DATA						SPRAGUE PART No.
			AEROVOX PART No.	CENTRALAB PART No.	CORNELL-DUBILIER PART No.	ELEMCO PART No.	MALLORY PART No.		
C5	10000		BPD-01	DD-103	BYA1081	CCD-103	B-110	5HK-510	
C6	20000		BPD-02	DD-203	BYE9652	CCD-203	B-120	5HK-520	
C7	5000		BPD-005	DD-502	BYA10D5	CCD-502	B-250	5HK-D50	
C8	5000		BPD-005	DD-502	BYA10D5	CCD-502	B-250	5HK-D50	
C9	.1	400V	F488N-1	DF-104	CUB4F1	4DP-3-104	GEM-401	4TM-F1	
C10	.1	400V	F488N-1	DF-104	CUB4F1	4DP-3-104	GEM-401	4TM-F1	
C11	10000		BPD-01	DD-103	BYA1081	CCD-103	B-110	5HK-510	
C12	20000		BPD-02	DD-203	BYE9652	CCD-203	B-120	5HK-520	
C13	5000		BPD-005	DD-502	BYA10D5	CCD-502	B-250	5HK-D50	
C14	5000		BPD-005	DD-502	BYA10D5	CCD-502	B-250	5HK-D50	

## CONTROLS

ITEM No.	RATING	REMARKS	REPLACEMENT DATA				INSTALLATION NOTES
			CENTRALAB PART No.	CLAROSTAT PART No.	IRC PART No.	MALLORY PART No.	
R1A	3meg		B-85	A47-3meg-Z	Q13-140	U57	Volume, Channel 1
R2A	500K		Not Req.	A47-500K-Z	Q13-133	U48	Tone, Channel 1
R3A	3meg		Not Req.	A47-3meg-Z	Q13-140	U57	Volume, Channel 2
R4A	500K		Not Req.	A47-500K-Z	Q13-133	U48	Tone, Channel 2
C	Switch		Not Req.	SWE-12	76-1	US-26	Power Off-On

## RESISTORS

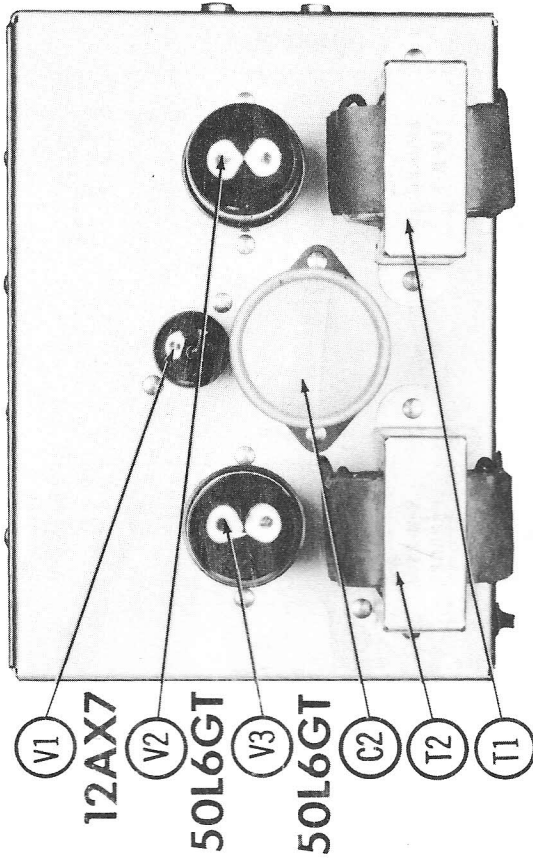
All wattages 1/2 watt, or less, unless otherwise listed.

ITEM No.	RATING	REMARKS	RATING	REMARKS	RATING	REMARKS
R5	10meg		470K		470K	
R6	270K		180Ω 2W		470K	
R7	470K		470K		470K	
R8	180Ω 2W		33K 1W		100 2W	
R9	470K		22K		470 2W	
R10	10meg		4000 5W			
R11	270K		470K			

\* Alternate

## FOLDER 8

# CHASSIS—TOP VIEW



## TRANSFORMER (AUDIO OUTPUT)

ITEM No.	IMPEDANCE	REPLACEMENT DATA						NOTES	
		PRI.	SEC.	HARMONY PART No.	Holdinson PART No.	Merit PART No.	Stancor PART No.		Thorndson PART No.
T1	2400Ω	3-4Ω	14-W-2	24S64	A-2902	AU-604	A-3849	24S64	S-IX
T2	2400Ω	3-4Ω	14-W-2	24S64	A-2902	AU-604	A-3849	24S64	S-IX

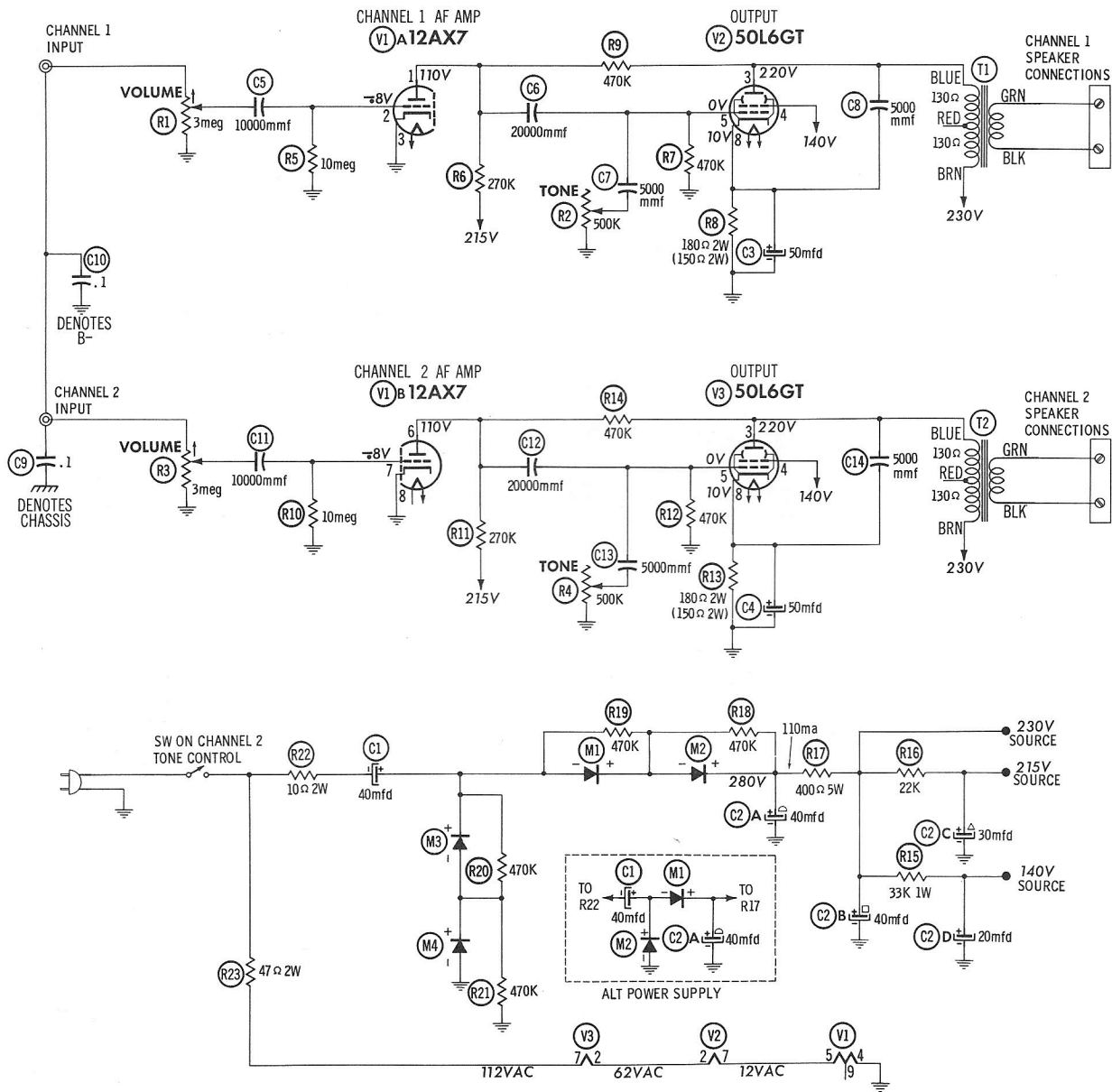
## RECTIFIERS

ITEM No.	RATING	REPLACEMENT DATA				NOTES
		CURRENT (Measured)	HARMONY PART No.	FEDERAL PART No.	INTERNATIONAL PART No.	
M1	.110A		①	HA154①	5E4①	SR200①
M2	.110A		①	HA154①	5E4①	SR200①
M3	.110A		①	HA154①	5E4①	SR200①
M4	.110A		①	HA154①	5E4①	SR200①

## WIRING DATA

General-use Unshielded Hook-up Wire ..... Use BELDEN No. 8530 (Solid) Available in Ten Colors  
8524 (Stranded) Available in Ten Colors  
Power Cord ..... Use BELDEN No. 1765-B (6 Ft. Length)  
1725-K (7½ Ft. Length)

## HARMONY MODEL SA-7



RESISTANCE READINGS

ITEM	TUBE	Pin 1	Pin 2	Pin 3	Pin 4	Pin 5	Pin 6	Pin 7	Pin 8	Pin 9
V1	12AX7	† 290K	10meg	0Ω	0Ω	12Ω	290K	10meg	0Ω	6Ω
V2	50L6GT	NC	62Ω	† 660Ω	† 33K	470K	NC	12Ω	180Ω	
V3	50L6GT	NC	62Ω	† 660Ω	† 33K	470K	NC	115Ω	180Ω	

† MEASURED FROM OUTPUT OF M2  
 NC NO CONNECTION

⊗ SEE PARTS LIST FOR ALTERNATE VALUE OR APPLICATION

DC COIL RESISTANCE VALUES UNDER ONE OHM NOT SHOWN ON SCHEMATIC DIAGRAM

ARROWS ON CONTROLS INDICATE CLOCKWISE ROTATION (CONTROL VIEWED FROM SHAFT END)

- DC voltage measurements taken with vacuum tube voltmeter; AC voltages measured at 1000 ohms per volt.
- Socket connections are shown as bottom views.
- Measured values are from socket pin to common negative.
- Line voltage maintained at 117 volts for voltage readings.
- Nominal tolerance of component values makes possible a variation of ±15% in voltage and resistance readings.
- All controls at minimum, proper output load connected.