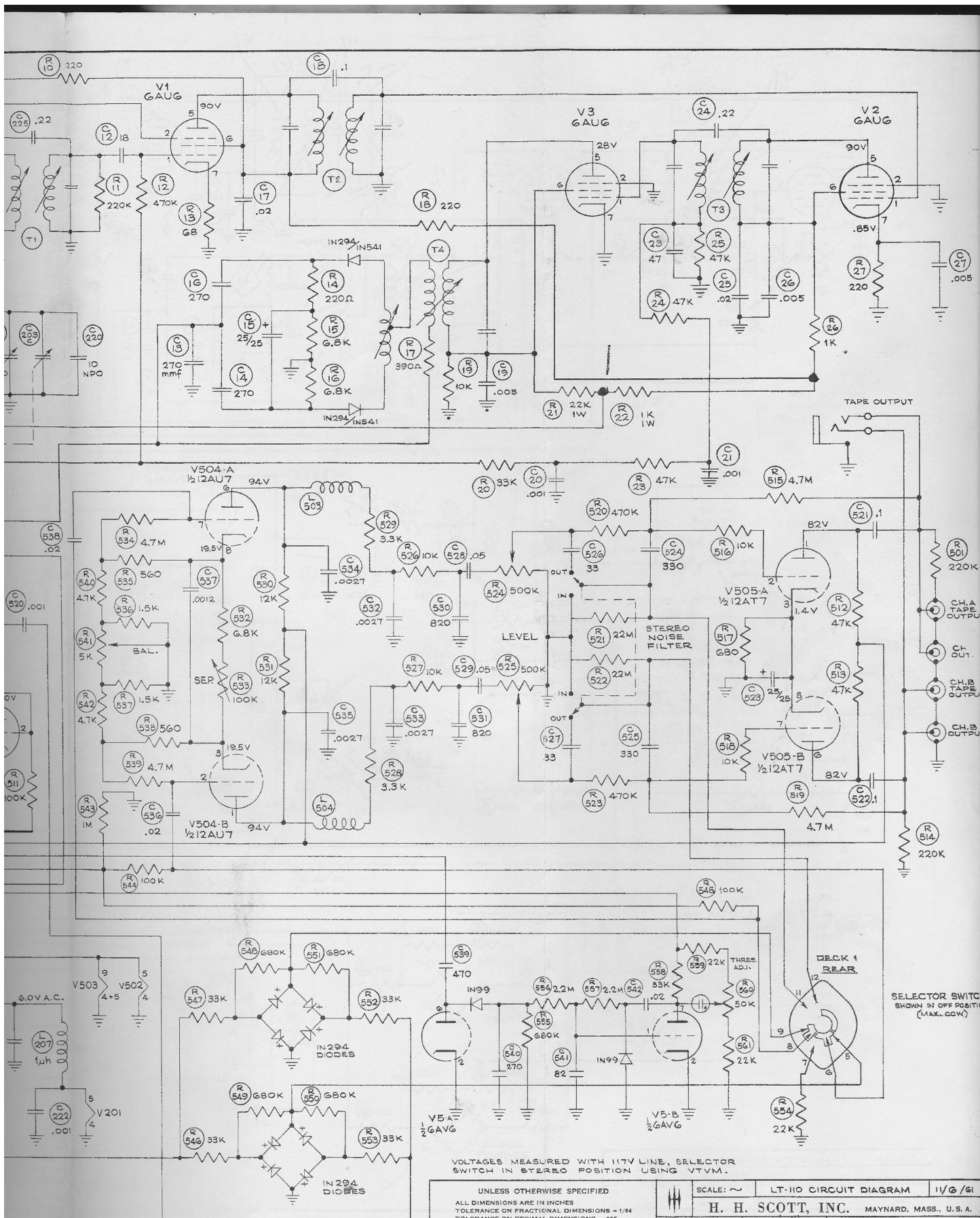


REVISIONS	REVISIONS
1	REVISOR
2	REVISIONS
3	REVISIONS
4	REVISIONS

R 31, C 28; R 209, C 225; R 561, C 542; L 211 (L 207 R 207)



VOLTAGES MEASURED WITH 117V LINE, SELECTOR SWITCH IN STEREO POSITION USING VTVM.

UNLESS OTHERWISE SPECIFIED
 ALL DIMENSIONS ARE IN INCHES
 TOLERANCE ON FRACTIONAL DIMENSIONS - 1/64
 TOLERANCE ON DECIMAL DIMENSIONS - .005
 TOLERANCE ON ANGULAR DIMENSIONS - 1/2°
 BREAK SHARP CORNERS.

SCALE: ~		LT-110 CIRCUIT DIAGRAM		11/6/61
H. H. SCOTT, INC. MAYNARD, MASS., U.S.A.				
DR.D. RAYMOND	ENG.	DWG.		
CH. (C) E.	PROD.	NUMBER D-LT-110-C1		SUB. 4

* 542; L211 (L207 NT); T201; L504; T502; L3; T3 (502 OUT)