

STEREO SELECTOR SWITCH

POSITION	FUNCTION
1	BALANCE "A"
2	BALANCE "B"
3	MONOPHONIC RECORDS
4	STEREO
5	REVERSE STEREO
6	CHANNEL "A"
7	CHANNEL "B"

INPUT SELECTOR SWITCH

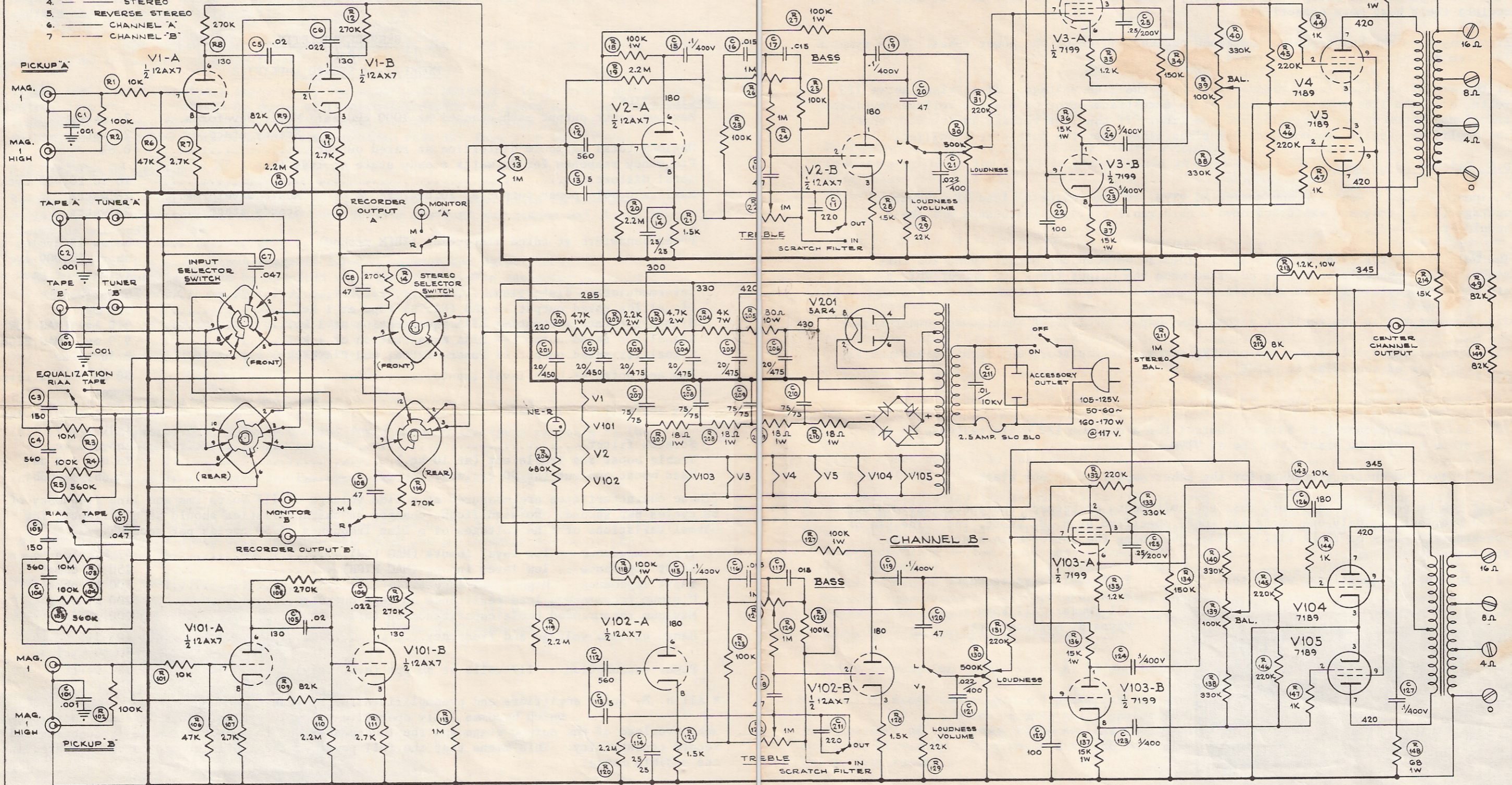
POSITION	FUNCTION
1	PHONO
2	TUNER
3	EXTRA

EQUALIZATION SWITCH

POSITION	FUNCTION
1	RIAA - NAB - ORTHO
2	NAB TAPE

- CHANNEL A -

- CHANNEL B -



THE FOLLOWING CONTROLS IN CHANNEL 'A' ARE MECHANICALLY GANGED WITH IDENTICAL CONTROLS IN CHANNEL 'B'.....

1. INPUT SELECTOR
2. EQUALIZATION
3. SCRATCH FILTER
4. LOUDNESS - VOLUME
5. LOUDNESS AND POWER SWITCH

TYPE LK-48 STEREO AMPLIFIER KIT

UNLESS OTHERWISE SPECIFIED		SCALE	19 JULY 1961
1. ALL VOLTAGES D.C. ±15% MEASURED WITH V.T.V.M.		LK-48 CIRCUIT DIAGRAM	
2. NO INPUT SIGNAL AND 117 VOLT LINE.		H. H. SCOTT, INC.	
3. SWITCHES SHOWN IN MAXIMUM C.C.W. POSITION.		MAYNARD, MASS., U.S.A.	
DR. CASSIDY	ENG. [Signature]	CH. [Signature]	PROD. [Signature]
DWG. NO. D-LK-48-C1 rev. 0			

REVISIONS

C10 & C110 - OUT. R15, R115, R16, R17 & R17 - OUT