

PARTS LIST AND DESCRIPTIONS (Continued)

RESISTORS

All wattages 1/2 watt, or less, unless otherwise listed.

ITEM No.	REPLACEMENT DATA		ITEM No.	RATING	REPLACEMENT DATA	REMARKS
	IRC PART No.	WORKMAN TV PART No.				
R12	100K		R58	100K		
R13	10K		R59	1meg		
R14	47K		R60	470K		
R15	270K		R61	3.9meg		
R16	27000		R62	2.2meg		
R17	82K		R63	1.5meg		
R18	2.2meg		R64	100K 1W		
R19	27000		R65	1500K		
R20	270K		R66	100K		
R21	100K		R67	100K		
R22	1meg		R68	1meg		
R23	470K		R69	100K 1W		
R24	3.9meg		R70	1500K		
R25	2.2meg		R71	22K		
R26	1.5meg		R72	220K		
R27	100K 1W		R73	220K 1W		
R28	1500K		R74	680K		
R29	100K		R75	680K		
R30	100K		R76	2.2meg		
R31	100K		R77	220K 1W		
R32	100K 1W		R78	270K		
R33	1500K		R79	220K		
R34	22K		R80	22000		
R35	220K 1W		R81	390K		
R36	220K 1W		R82	10K		
R37	680K		R83	30K		
R38	2.2meg		R84	10K		
R39	220K 1W		R85	82000		
R40	1500K		R86	15K		
R41	270K		R87	1500K		
R42	220K		R88	15K		
R43	22000		R89	22K		
R44	390K		R90	68000		
R45	10K		R91	12000 10W		
R46	390K		R92	47K 1W		
R47	10K		R93	680K		
R48	82000		R94	10K 1W		
R49	100K		R95	10K		
R50	10K		R96	56K 1W		
R51	47K		R97	22000 2W		
R52	270K		R98	7500 5W		
R53	27000		R99	800 10W		
R54	82K		R100	330 10W		
R55	2.2meg		R101	80000 20W		
R56	27000		R102	3.3K 1W		
R57	270K		R103	3.3K 1W		

* Alternate Value.

TRANSFORMER (POWER)

ITEM No.	RATING		REPLACEMENT DATA		ITEM No.	RATING	REPLACEMENT DATA	REMARKS
	PRI.	SEC.	H. H. Scott PART No.	Merit PART No.				
T1	117V ϕ 1.8A	640VCT 5V ϕ 1.80A DC	TR-12-7					

MISCELLANEOUS

ITEM No.	PART NAME	H. H. Scott PART No.	NOTES
M2	Switch		
M3	Switch		
M4	Switch		
M5	Switch		
M6	Switch		
M7	Switch		

WIRING DATA

General-use Unshielded Hook-up Wire Use BELDEN No. 8530 (Solid) Available in Ten Colors
8524 (Stranded) Available in Ten Colors
Power Cord Use BELDEN No. 1725-B (6 Ft. Length)
1725-K (7 1/2 Ft. Length)

TRANSFORMER (AUDIO OUTPUT)

ITEM No.	IMPEDANCE		REPLACEMENT DATA			NOTES
	PRI.	SEC.	H. H. Scott PART No.	Merit PART No.	Thorderson PART No.	
T2	70000 CT	160 Tap ϕ 84, 40	TRA-8-4-1			
T3	70000 CT	160 Tap ϕ 84, 40	TRA-8-4-1			

COMPONENT COMBINATIONS

ITEM No.	USE	DESCRIPTION	H. H. Scott PART No.	REPLACEMENT DATA
K1	Equalization Comp.	150mmf, 560mmf, 100K, 560K, 10meg	PC222E	
K2	Equalization Comp.	150mmf, 560mmf, 100K, 560K, 10meg	PC222E	

FUSES

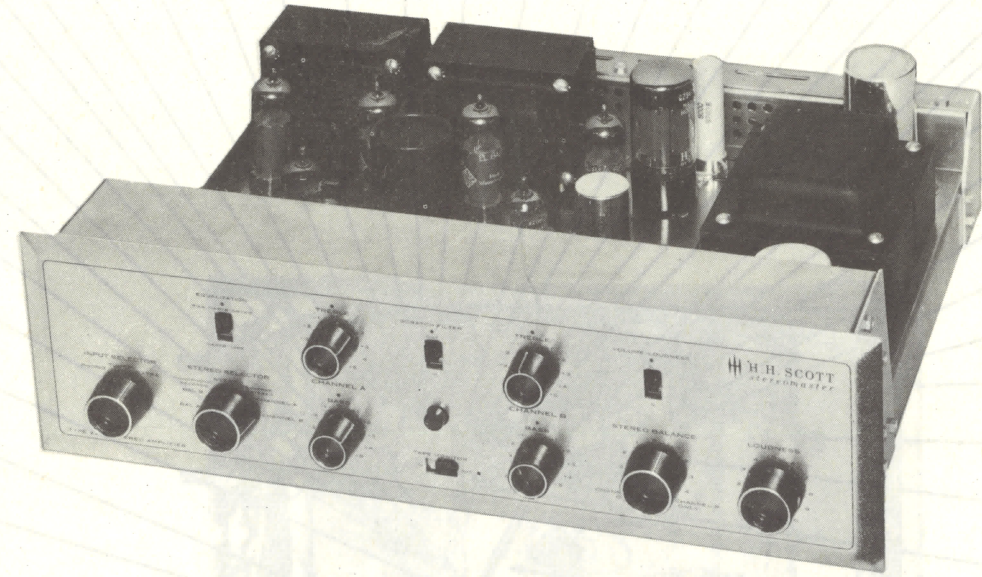
ITEM No.	TYPE	RATING	REPLACEMENT DATA		BUSS PART No.
			H. H. Scott PART No.	Holder	
M1		2.5A 125V S/B		31302, 5 (2.5A 125V S/B)	

FOLDER 13
SET 555

PHOTOFACT® Folder

H. H. SCOTT
MODEL 222B

H. H. SCOTT
MODEL 222B



TRADE NAME H. H. Scott Model 222B
 MANUFACTURER H. H. Scott, Inc., 111 Powder Mill Road, Maynard, Mass.
 TYPE SET AC Operated 11 Tube Stereo Amplifier
 POWER SUPPLY 105 - 125 Volts AC, 50-60 Cycles RATING 130 Watts, 1.3 Amp. @ 117 Volts AC

ADJUSTMENTS

BIAS ADJUSTMENT
 Connect DC probe of VTVM to point Δ , Common to chassis. Adjust Bias control for 38.5 Volts on VTVM.

DC BALANCE ADJUSTMENT
 Connect a 160 10W resistor across the output terminals of the channel under test. Connect scope across the resistor and turn Horizontal Selector to "LINE". Remove the Phase Inverter tube of the channel under test. Adjust the proper DC Balance control for MINIMUM 120% response on scope. Repeat procedure for other channel.

AC BALANCE ADJUSTMENT
 AC Balance may be adjusted by using a distortion or wave analyzer. The AC Balance control is adjusted for MINIMUM second harmonic distortion.

HOWARD W. SAMS & CO., INC. Indianapolis 6, Indiana



The listing of any available replacement part herein does not constitute in any case a recommendation, warranty or guaranty by Howard W. Sams & Co., Inc., as to the quality and suitability of such replacement part. The numbers of these parts have been compiled from information furnished to Howard W. Sams & Co., Inc., by the manufacturers of KV765

the particular type of replacement part listed. Reproduction or use, without express permission, of editorial or pictorial content, in any manner, is prohibited. No patent liability is assumed with respect to the use of the information contained herein. © 1961 Howard W. Sams & Co., Inc., Indianapolis 6, Indiana. Printed in U.S. of America

DATE 11 - 61

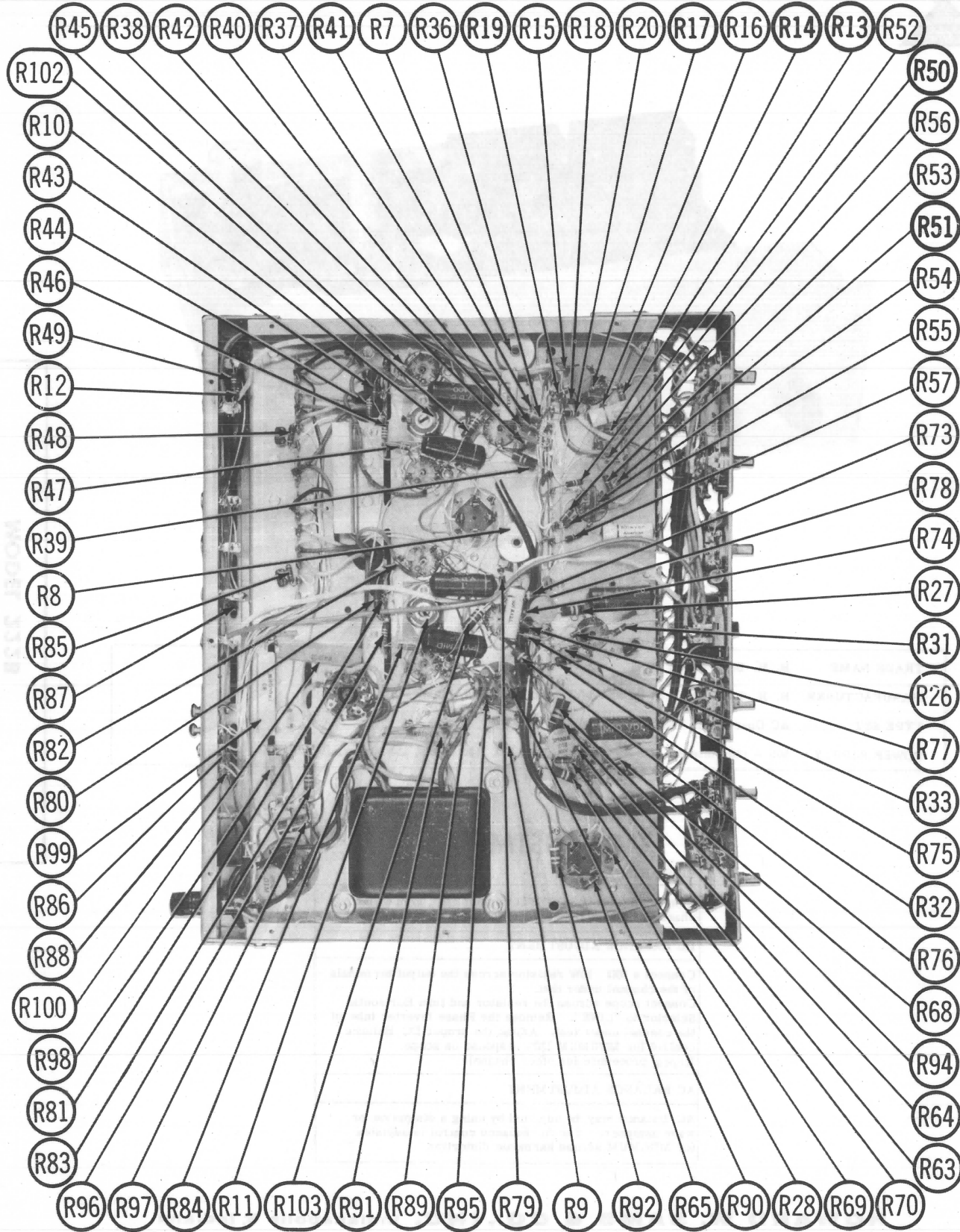
SET 555

FOLDER 13

H. H. SCOTT
MODEL 222B

SET 555
FOLDER 13

CHASSIS BOTTOM VIEW-RESISTOR IDENT.



PARTS LIST AND DESCRIPTIONS

ITEM No.	RATING	REMARKS	AEROVOX PART No.	CENTRALAB PART No.	REPLACEMENT DATA	MALLORY PART No.	SPRAGUE PART No.
C35	.001		BPD-001	DD-102	BYA10D1	B-210	5HK-D10
C36	.02		BPD-001	DD-203	BYB6S2	B-210	5HK-S20
C37	.022 400V		P488N-022	DD-203	BYB6S2	B-210	5HK-S20
C38	.047 400V		P488N-047	DD-503	CUB4S22	GEM-4122	4TM-S22
C39	.001		BPD-001	DD-102	BYA10D1	B-210	5HK-D10
C40	180 10%		1469-00018	TCZ-180	22R5T18	CNO-318	MS-318
C41	47 10%		NPO-S1 .5	TCZ-R5	22R5Q47	CNO-318	MS-318
C42	47 10%		1469-00047	TCZ-47	22R5Q47	CNO-447	MS-447
C43	220 10%		NPO-D1 5.0	TCZ-220	22R5T22	CNO-322	MS-322
C44	5 NPO 5%		NPO-D1 5.0	DTZ-4R7	22R5T22	CNO-322	MS-322
C45	.0018 400V	(.0012) †	P488N-002	DD-182	CUB4S22	CNO-547	10TCC-V50
C46	.0012 10%	(.001) †	DI-1200	DD-182	DPMSD12	GEM-622	6TM-D20
C47	1 400V		P488N-1	DF-104	CUB4S22	GEM-401	4TM-P10
C48	220 10%		1469-00022	TCZ-220	22R5T22	CNO-322	MS-322
C49	.0068 400V		P488N-0068	DD-682	CUB4S22	GEM-4122	4TM-S22
C50	.0068 400V		P488N-0068	DD-682	CUB4S22	GEM-4122	4TM-S22
C51	47 10%		1469-00047	TCZ-47	22R5Q47	CNO-447	MS-447
C52	.02		BPD-001	DD-203	BYB6S2	B-210	5HK-S20
C53	.047 400V		P488N-047	DD-503	CUB4S22	GEM-4122	4TM-S22
C54	100 10%		1469-00011	TCZ-100	22R5T100	CNO-333	MS-333
C55	.02		BPD-001	DD-203	BYB6S2	B-210	5HK-S20
C56	.02		BPD-001	DD-203	BYB6S2	B-210	5HK-S20
C57	.022 400V		P488N-022	DD-203	BYB6S2	B-210	5HK-S20
C58	.1 400V	(.047) †	P488N-1	DF-104	CUB4S22	GEM-401	4TM-P10
C59	470 10%	(.047) †	1469-00047	DF-104	5R5T47	MCJ249	MS-349
C60	1 400V	(.047) †	P488N-1	DF-104	CUB4S22	GEM-401	4TM-P10
C61	100 10%	Note 1	1469-00011	TCZ-100	22R5T100	CNO-333	MS-333
C62	.01		BPD-001	DD-103	BYA10S1	B-110	5HK-S10

† Alternate Value. Note 1. Not used in some versions.

TUBES

ITEM No.	USE	TYPE	GENERAL ELECTRIC	RAYTHEON	SYLVANIA
V1	Channel A Preamplifier	ECC83/12AX7			
V2	Channel A AF Amplifier	ECC83/12AX7			
V3	Channel A AF Amplifier	ECC83/12AX7			
V4	Phase Inverter	ECC83 (6BL6) *			
V5	Channel A Output	EL84/6BQ5			
V6	Channel B Preamplifier	ECC83/12AX7			
V7	Channel B AF Amplifier	ECC83/12AX7			
V8	Phase Inverter	5CF80 (6BL6) *			
V9	Channel B Output	EL84/6BQ5			
V10	Channel B Output	EL84/6BQ5			
V11	Rectifier	GZ34/5AR4			

* Alternate

ELECTROLYTIC CAPACITORS

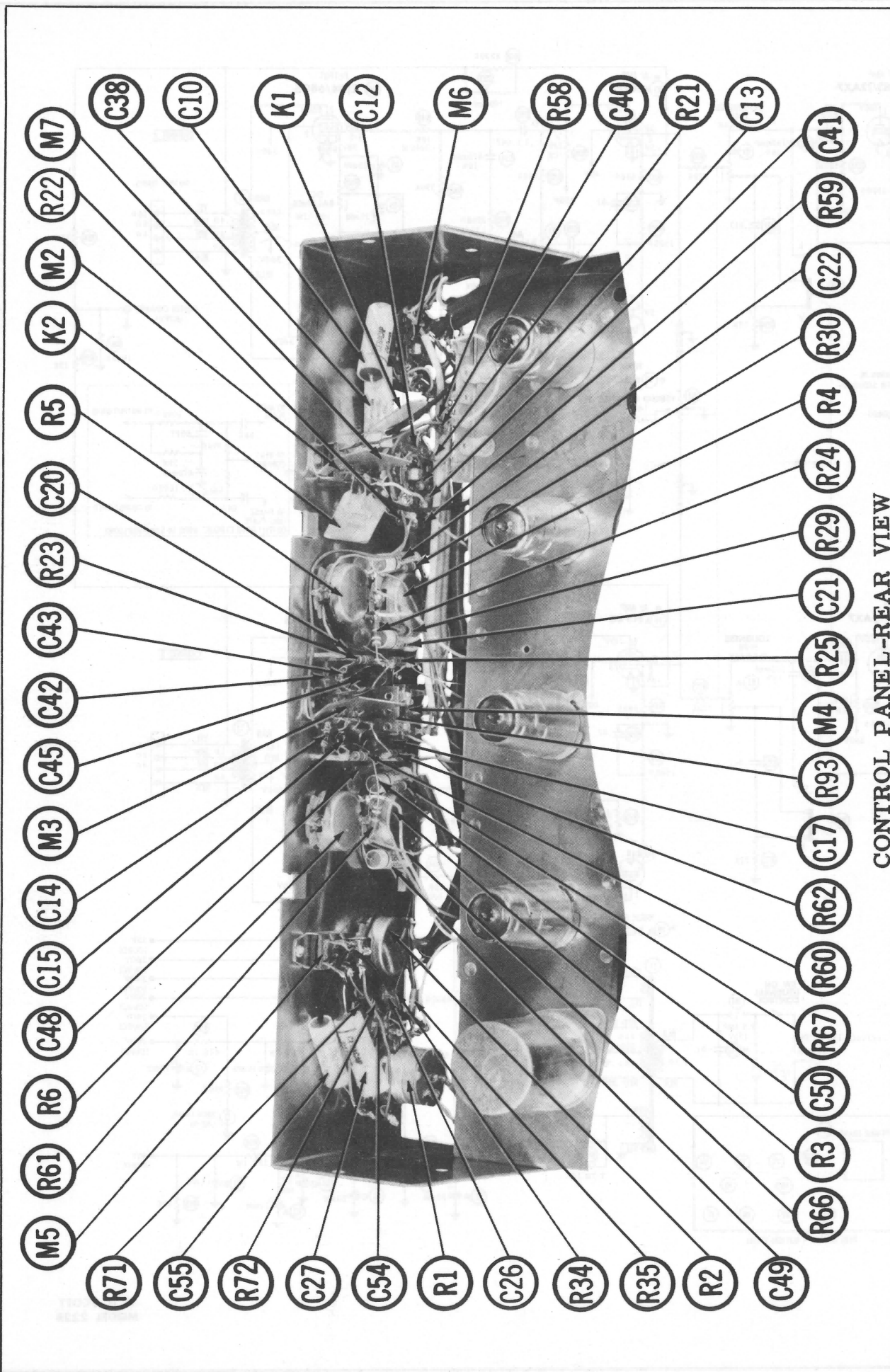
ITEM No.	RATING	REMARKS	AEROVOX PART No.	CORNELL-DUBILIER PART No.	REPLACEMENT DATA	MALLORY PART No.	SPRAGUE PART No.
C1A	.20		C0970	XC4-50	FP376.5	TMQ-486	TYL-4763
C1B	.20		ER2045		TC75		
C1C	.20						
C1D	.20						
C2A	.10				FP231	TMQ-2615	TYL-2610
C2B	.10				TC49	TD-50-150	TYA-1705
C2C	.10						
C2D	.10						
C3A	.50				FP430.97	TMQ-4475	TYL-4724.2
C3B	.20						
C3C	.25						
C3D	.25						
C4	.25				PTT82	MLY25-25	TYL-1207
C5A	.25				XC4-78	TMQ-4034	TYL-4414.7
C5B	.25						
C5C	.25						
C5D	.25						

FIXED CAPACITORS

ITEM No.	RATING	REMARKS	AEROVOX PART No.	CORNELL-DUBILIER PART No.	REPLACEMENT DATA	MALLORY PART No.	SPRAGUE PART No.
C6	.001		BPD-001	DD-102	BYA10D1	B-210	5HK-D10
C7	.001		BPD-001	DD-102	BYA10D1	B-210	5HK-D10
C8	.02		BPD-001	DD-203	BYB6S2	B-210	5HK-S20
C9	.022 400V		P488N-022	DD-203	CUB4S22	GEM-4122	4TM-S22
C10	.047 400V		P488N-047	DD-503	CUB4S22	GEM-4122	4TM-S22
C11	.001		BPD-001	DD-102	BYA10D1	B-210	5HK-D10
C12	100 10%		1469-00018	TCZ-180	22R5T18	CNO-318	MS-318
C13	47 10%		1469-00047	TCZ-47	22R5Q47	CNO-447	MS-447
C14	220 10%		1469-00022	TCZ-220	22R5T22	CNO-322	MS-322
C15	5 5%		NPO-D1 5.0	DTZ-4R7	CUB4S22	CNO-547	10TCC-V50
C16	.0018 400V	(.0012) †	P488N-002	DD-182	CUB4S22	GEM-622	6TM-D20
C17	.0012 10%	(.001) †	DI-1200	DD-182	DPMSD12	GEM-401	4TM-P10
C18	.1 400V		P488N-1	DF-104	CUB4S22	GEM-401	4TM-P10
C19	1 400V		1469-00047	DF-104	5R5T47	MCJ249	MS-349
C20	220 10%		1469-00022	TCZ-220	22R5T22	CNO-322	MS-322
C21	.0068 400V		P488N-0068	DD-682	CUB4S22	GEM-4122	4TM-S22
C22	.0068 400V		P488N-0068	DD-682	CUB4S22	GEM-4122	4TM-S22
C23	.02		BPD-001	DD-203	BYB6S2	B-210	5HK-S20
C24	.047 400V		P488N-047	DD-503	CUB4S22	GEM-4122	4TM-S22
C25	100 10%		1469-00011	TCZ-100	22R5T100	CNO-333	MS-333
C26	.022 400V		P488N-022	DD-203	BYB6S2	B-210	5HK-S20
C27	.047 400V		P488N-047	DD-503	CUB4S22	GEM-4122	4TM-S22
C28	.02		BPD-001	DD-203	BYB6S2	B-210	5HK-S20
C29	.022 400V		P488N-022	DD-203	BYB6S2	B-210	5HK-S20
C30	.1 400V	(.047) †	P488N-1	DF-104	CUB4S22	GEM-401	4TM-P10
C31	470 10%	(.047) †	1469-00047	DF-104	5R5T47	MCJ249	MS-349
C32	1 400V	(.047) †	P488N-1	DF-104	CUB4S22	GEM-401	4TM-P10
C33	100 10%		1469-00011	TCZ-100	22R5T100	CNO-333	MS-333
C34	.001		BPD-001	DD-102	BYA10D1	B-210	5HK-D10

CONTROLS

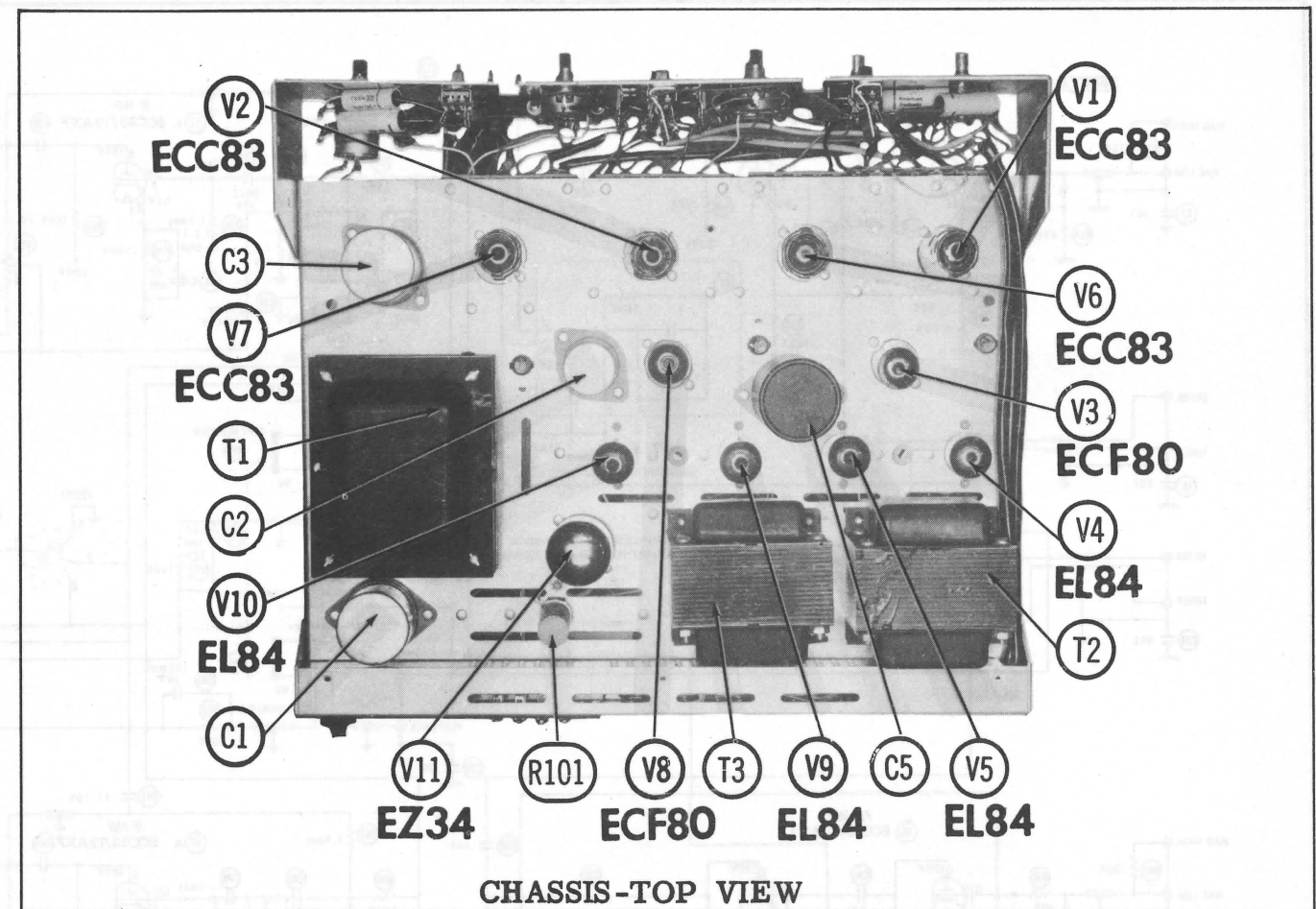
ITEM No.	RATING	H. H. Scott	CENTRALAB PART No.	CLAROSTAT PART No.	REPLACEMENT DATA	MALLORY PART No.	INSTALLATION NOTES
RIA	500K 60K Tap	RCVD-500KT 3FSW	BT-88			FA55T15	Loudness, Channel B
B	500K 80K Tap		STR-86			RU55T15	Loudness, Channel A
C	Switch		Not Req.			CS8500	Power Off-On Stereo-Balance
D	500K Tap	RCV-1MST-3F	BT-71			US-41	
R	500K Tap	RCV-LMT-3F	BT-71			Not Req.	Bass, Channel B
B	500K Tap	RCV-LMT-3F	BT-71			Not Req.	Bass, Channel A
RAA	500K Tap	RCV-LMT-3F	BT-71			Not Req.	Treble, Channel A
B	500K Tap	RCV-LMT-3F	BT-71			Not Req.	Treble, Channel B
RAA	500K Tap	RCV-LMT-3F	BT-71			Not Req.	Treble, Channel A
B	500K Tap	RCV-LMT-3F	BT-71			Not Req.	Treble, Channel B
RAA	500K Tap	RCV-LMT-3F	BT-71			Not Req.	Treble, Channel A
B	500K Tap	RCV-LMT-3F	BT-71			Not Req.	Treble, Channel B
RAA	500K Tap	RCV-LMT-3F	BT-71			Not Req.	Treble, Channel A
B	500K Tap	RCV-LMT-3F	BT-71			Not Req.	Treble, Channel B
RAA	500K Tap	RCV-LMT-3F	BT-71			Not Req.	Treble, Channel A
B	500K Tap	RCV-LMT-3F	BT-71			Not Req.	Treble, Channel B
RAA	500K Tap	RCV-LMT-3F	BT-71			Not Req.	Treble, Channel A
B	500K Tap	RCV-LMT-3F	BT-71			Not Req.	Treble, Channel B
RAA	500K Tap	RCV-LMT-3F	BT-71			Not Req.	Treble, Channel A
B	500K Tap	RCV-LMT-3F	BT-71			Not Req.	Treble, Channel B
RAA	500K Tap	RCV-LMT-3F	BT-71			Not Req.	Treble, Channel A
B	500K Tap	RCV-LMT-3F	BT-71			Not Req.	Treble, Channel B
RAA	500K Tap	RCV-LMT-3F	BT-71			Not Req.	Treble, Channel A
B	500K Tap	RCV-LMT-3F	BT-71			Not Req.	Treble, Channel B
RAA	500K Tap	RCV-LMT-3F	BT-71			Not Req.	Treble, Channel A
B	500K Tap	RCV-LMT-3F	BT-71			Not Req.	Treble, Channel B
RAA	500K Tap	RCV-LMT-3F	BT-71			Not Req.	Treble, Channel A
B	500K Tap	RCV-LMT-3F	BT-71			Not Req.	Treble, Channel B
RAA	500K Tap	RCV-LMT-3F	BT-71			Not Req.	Treble, Channel A
B	500K Tap	RCV-LMT-3F	BT-71			Not Req.	Treble, Channel B
RAA	500K Tap	RCV-LMT-3F	BT-71			Not Req.	Treble, Channel A
B	500K Tap	RCV-LMT-3F	BT-71			Not Req.	Treble, Channel B
RAA	500K Tap	RCV-LMT-3F	BT-71			Not Req.	Treble, Channel A
B	500K Tap	RCV-LMT-3F	BT-71			Not Req.	Treble, Channel B
RAA	500K Tap	RCV-LMT-3F	BT-71			Not Req.	Treble, Channel A
B	500K Tap	RCV-LMT-3F	BT-71			Not Req.	Treble, Channel B
RAA	500K Tap	RCV-LMT-3F	BT-71			Not Req.	Treble, Channel A
B	500K Tap	RCV-LMT-3F	BT-71			Not Req.	Treble, Channel B
RAA	500K Tap	RCV-LMT-3F	BT-71			Not Req.	Treble, Channel A
B	500K Tap	RCV-LMT-3F	BT-71			Not Req.	Treble, Channel B
RAA	500K Tap	RCV-LMT-3F	BT-71			Not Req.	Treble, Channel A
B	500K Tap	RCV-LMT-3F	BT-71			Not Req.	Treble, Channel B
RAA	500K Tap	RCV-LMT-3F	BT-71			Not Req.	Treble, Channel A
B	500K Tap	RCV-LMT-3F	BT-71			Not Req.	Treble, Channel B
RAA	500K Tap	RCV-LMT-3F	BT-71			Not Req.	Treble, Channel A
B	500K Tap	RCV-LMT-3F	BT-71			Not Req.	Treble, Channel B
RAA	500K Tap	RCV-LMT-3F	BT-71			Not Req.	Treble, Channel A
B	500K Tap	RCV-LMT-3F	BT-71			Not Req.	Treble, Channel B
RAA	500K Tap	RCV-LMT-3F	BT-71			Not Req.	Treble, Channel A
B	500K Tap	RCV-LMT-3F	BT-71			Not Req.	Treble, Channel B
RAA	500K Tap	RCV-LMT-3F	BT-71			Not Req.	Treble, Channel A
B	500K Tap	RCV-LMT-3F	BT-71			Not Req.	Treble, Channel B
RAA	500K Tap	RCV-LMT-3F	BT-71			Not Req.	Treble, Channel A
B	500K Tap	RCV-LMT-3F	BT-71			Not Req.	Treble, Channel B
RAA	500K Tap	RCV-LMT-3F	BT-71			Not Req.	Treble, Channel A
B	500K Tap	RCV-LMT-3F	BT-71			Not Req.	



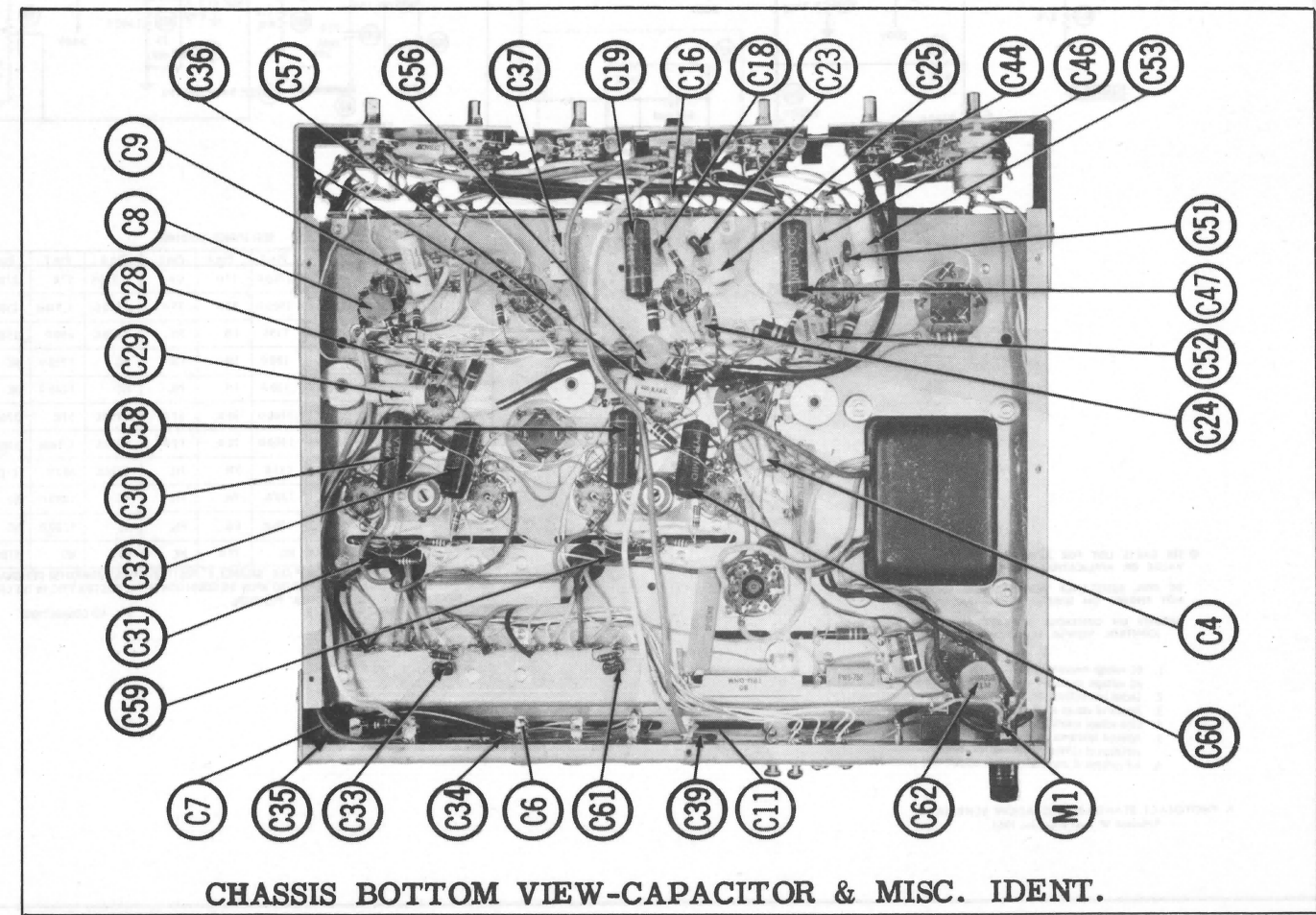
CONTROL PANEL-REAR VIEW

H. H. SCOTT
MODEL 222B

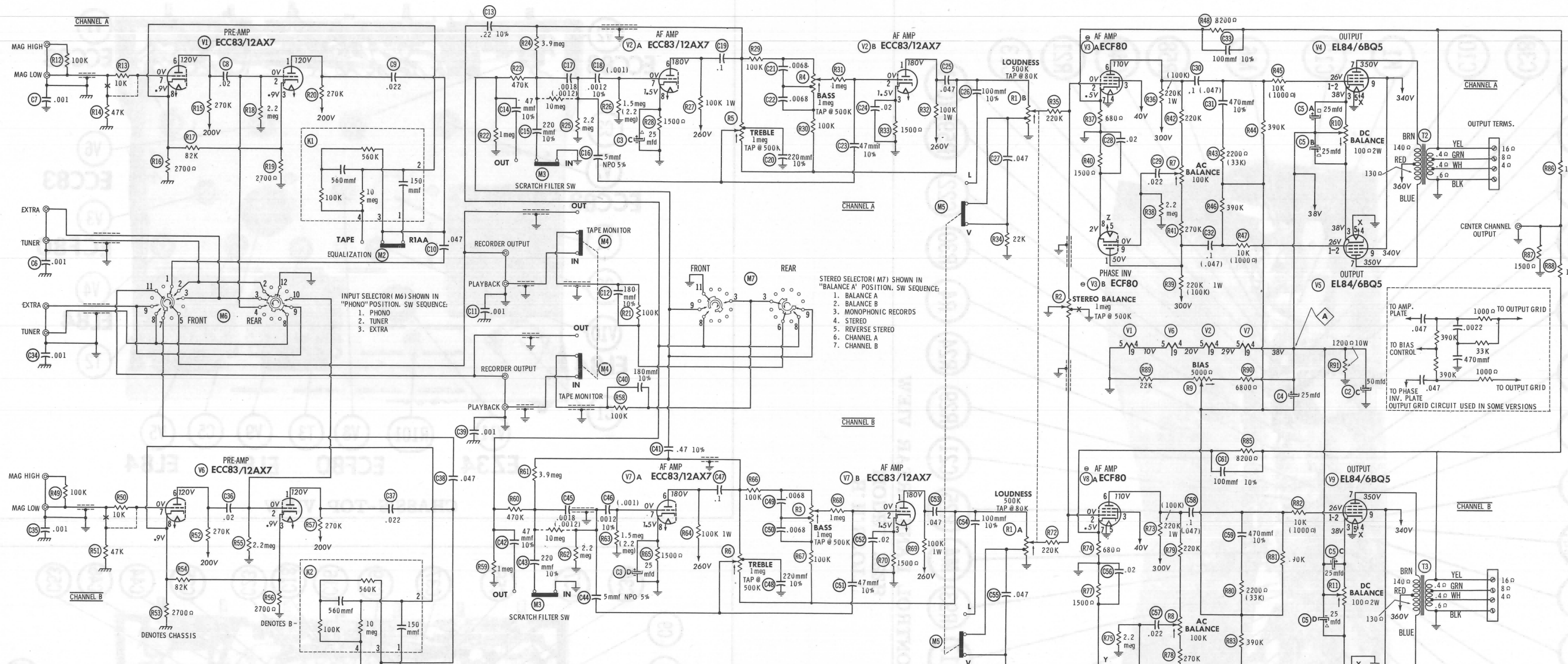
FOLDER 13



CHASSIS-TOP VIEW



CHASSIS BOTTOM VIEW-CAPACITOR & MISC. IDENT.



STEREO SELECTOR (M7) SHOWN IN "BALANCE A" POSITION. SW SEQUENCE:
 1. BALANCE A
 2. BALANCE B
 3. MONOPHONIC RECORDS
 4. STEREO
 5. REVERSE STEREO
 6. CHANNEL A
 7. CHANNEL B

RESISTANCE READINGS

ITEM	TUBE	Pin 1	Pin 2	Pin 3	Pin 4	Pin 5	Pin 6	Pin 7	Pin 8	Pin 9
V1	ECC83/12AX7	1330K	2.2meg	2700Ω	17Ω	0Ω	1330K	57K	2700Ω	NC
V2	ECC83/12AX7	1110K	1.6meg	1500Ω	52Ω	35Ω	1110K	1.5meg	1500Ω	NC
V3	ECF80	1220K	160K	115K	FIL	FIL	1220K	680Ω	1500Ω	2.2meg
V4	EL84/6BQ5	NC	400K	120Ω	FIL	FIL	NC	1250Ω	NC	1860Ω
V5	EL84/6BQ5	NC	400K	120Ω	FIL	FIL	NC	1240Ω	NC	1860Ω
V6	ECC83/12AX7	1330K	2.2meg	2700Ω	35Ω	17Ω	1330K	57K	2700Ω	NC
V7	ECC83/12AX7	1110K	1.6meg	1500Ω	70Ω	52Ω	1110K	1.5meg	1500Ω	NC
V8	ECF80	1220K	160K	115K	FIL	FIL	1220K	680Ω	1500Ω	2.2meg
V9	EL84/6BQ5	NC	400K	120Ω	FIL	FIL	NC	1250Ω	NC	1860Ω
V10	EL84/6BQ5	NC	400K	120Ω	FIL	FIL	NC	1240Ω	NC	1860Ω
V11	GZ34/5AR4	NC	17000Ω	NC	73Ω	NC	65Ω	NC	17000Ω	NC

ALL MEASUREMENTS MADE IN "PHONO" AND "BALANCE A" POSITION UNLESS OTHERWISE DESIGNATED. THIS READING WILL VARY DEPENDING UPON THE CONDITION OF THE ELECTROLYTIC IN THE CIRCUIT. MEASURED IN "TUNER" OR "EXTRA" POSITION. MEASURED FROM PIN 2 OF V11. NC NO CONNECTION

SEE PARTS LIST FOR ALTERNATE VALUE OR APPLICATION
 DC COIL RESISTANCE VALUES UNDER ONE OHM NOT SHOWN ON SCHEMATIC DIAGRAM
 ARROWS ON CONTROLS INDICATE CLOCKWISE ROTATION (CONTROL VIEWED FROM SHAFT END)

- DC voltage measurements taken with vacuum tube voltmeter; AC voltages measured with 1000 ohm per volt voltmeter.
- Socket connections are shown as bottom views.
- Measured values are from socket pin to common ground.
- Line voltage maintained at 117 volts for voltage readings.
- Nominal tolerance of component values makes possible a variation of ±15% in voltage and resistance readings.
- All controls at minimum, proper output load connected.

A PHOTOFAC STANDARD NOTATION SCHEMATIC
 ©Howard W. Sams & Co., Inc. 1961

