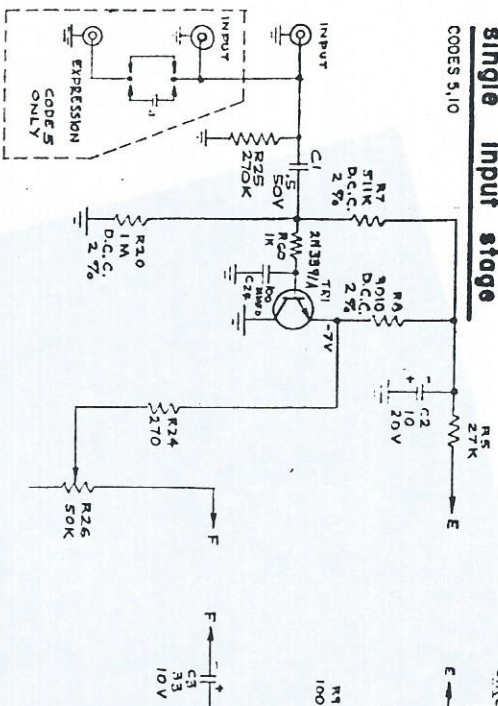


Waisi 2500 W by PEB

THESE DC VOLTAGES MEASURED WITH SIMPSON 260 VOM AND WITH LINE VOLTAGE OF 117 V. THESE ARE VOLTAGES OF TRANSFORMER 222-0023 (11-023) ONE WITH HIGHER VOLTAGES.

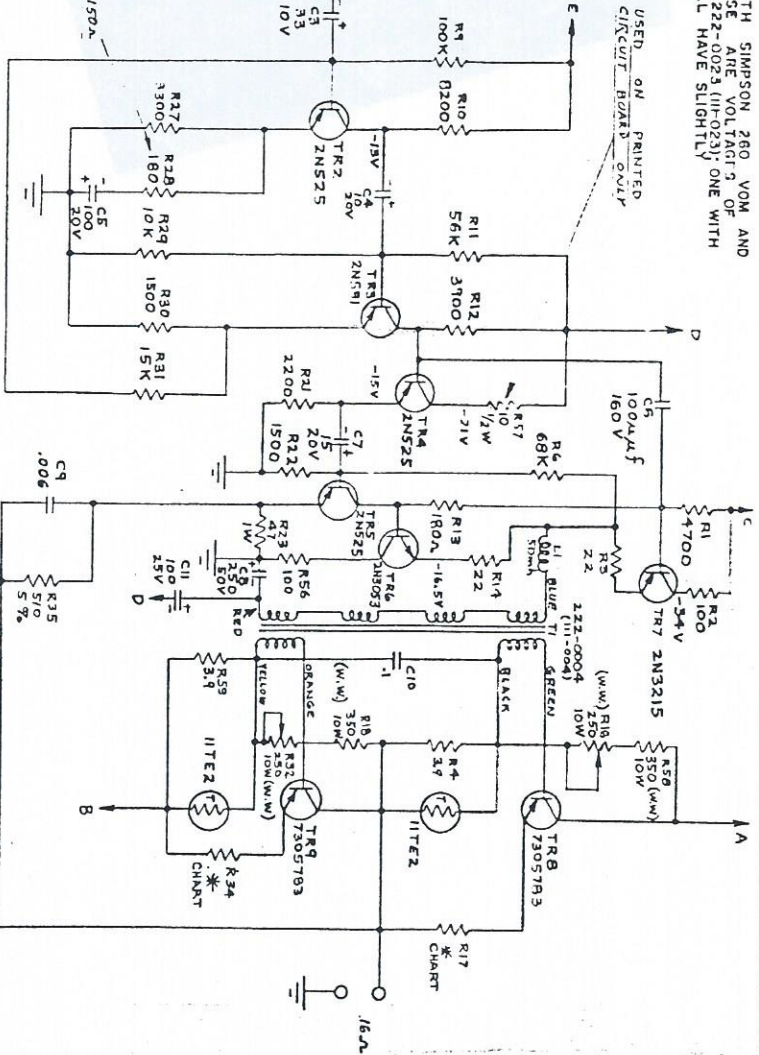
### single input stage

CODES 5,10



DUAL INPUT AMP. ONLY - 150A

USED ON PRINTED CIRCUIT BOARD ONLY



## T-50 HIGH-FIDELITY POWER AMPLIFIER

SINGLE AND DUAL INPUT

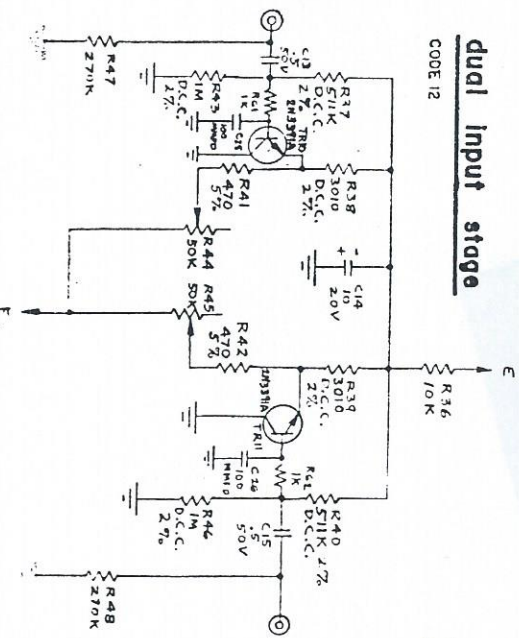
CHART

* NOMINAL	USED WITH LOW GAIN
R17	5W
R34	5W
R34	5W
R34	5W

NOTE  
TOLERANCE ON ALL RESISTORS IS ± 10%  
UNLESS OTHERWISE INDICATED

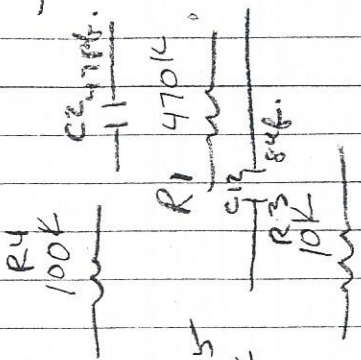
### dual input stage

CODE 12



\* 10 AMP, 100 P.I.V.

C1 .033

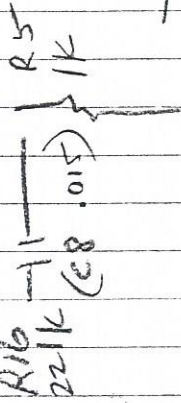


R10 10K

1u6 C3



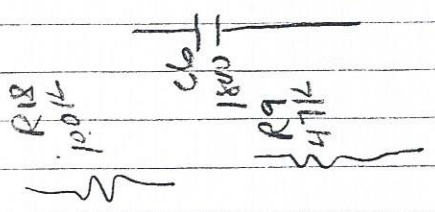
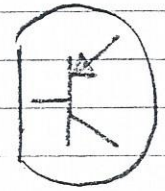
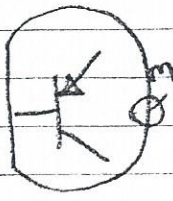
C9 .015  
C7 .012



R22 249K

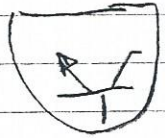
R21 1.8

C4 .25



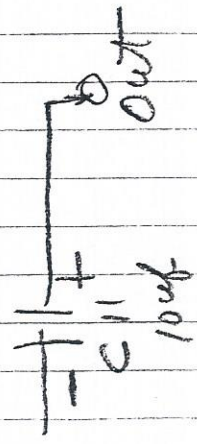
C10 100uf

R13 680



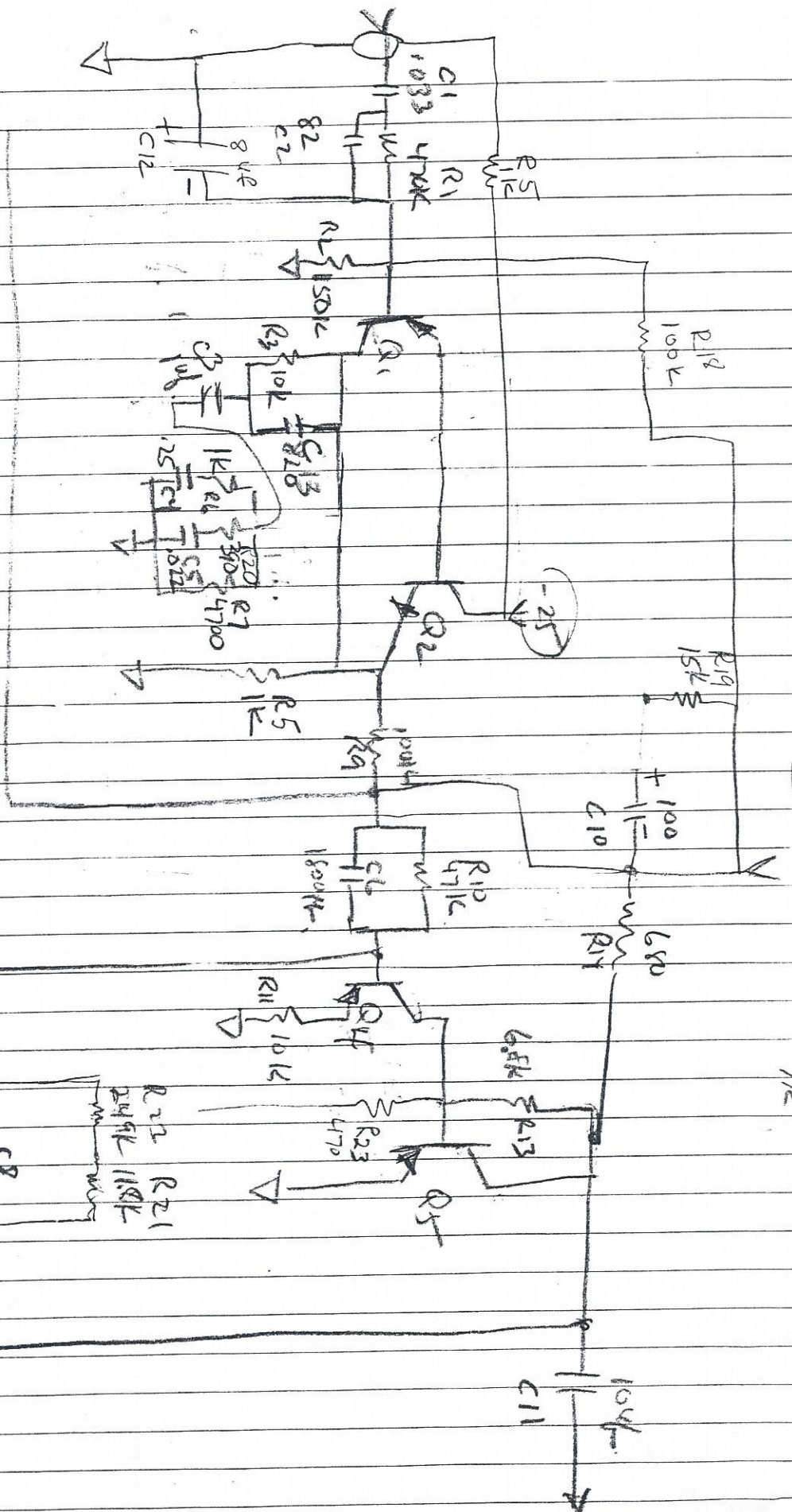
Q4

R14



MODEL 2201

C5 .022  
-16VDC



$$\frac{32-16}{1/2} = 16 \mu A$$

Down. EQ

R  
 C  
 13  
 C13  
 LNT 4247D  
 R21