

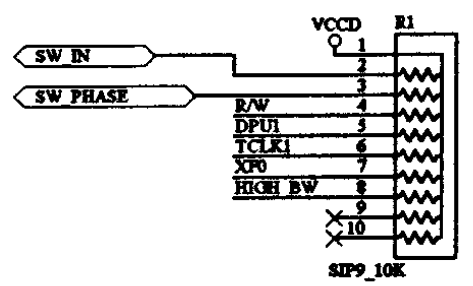
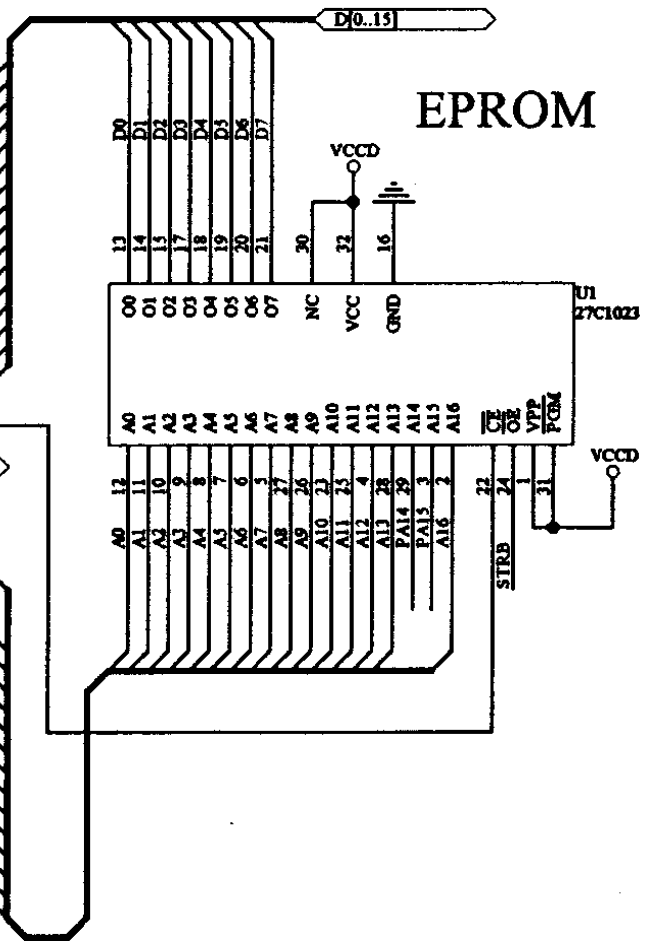
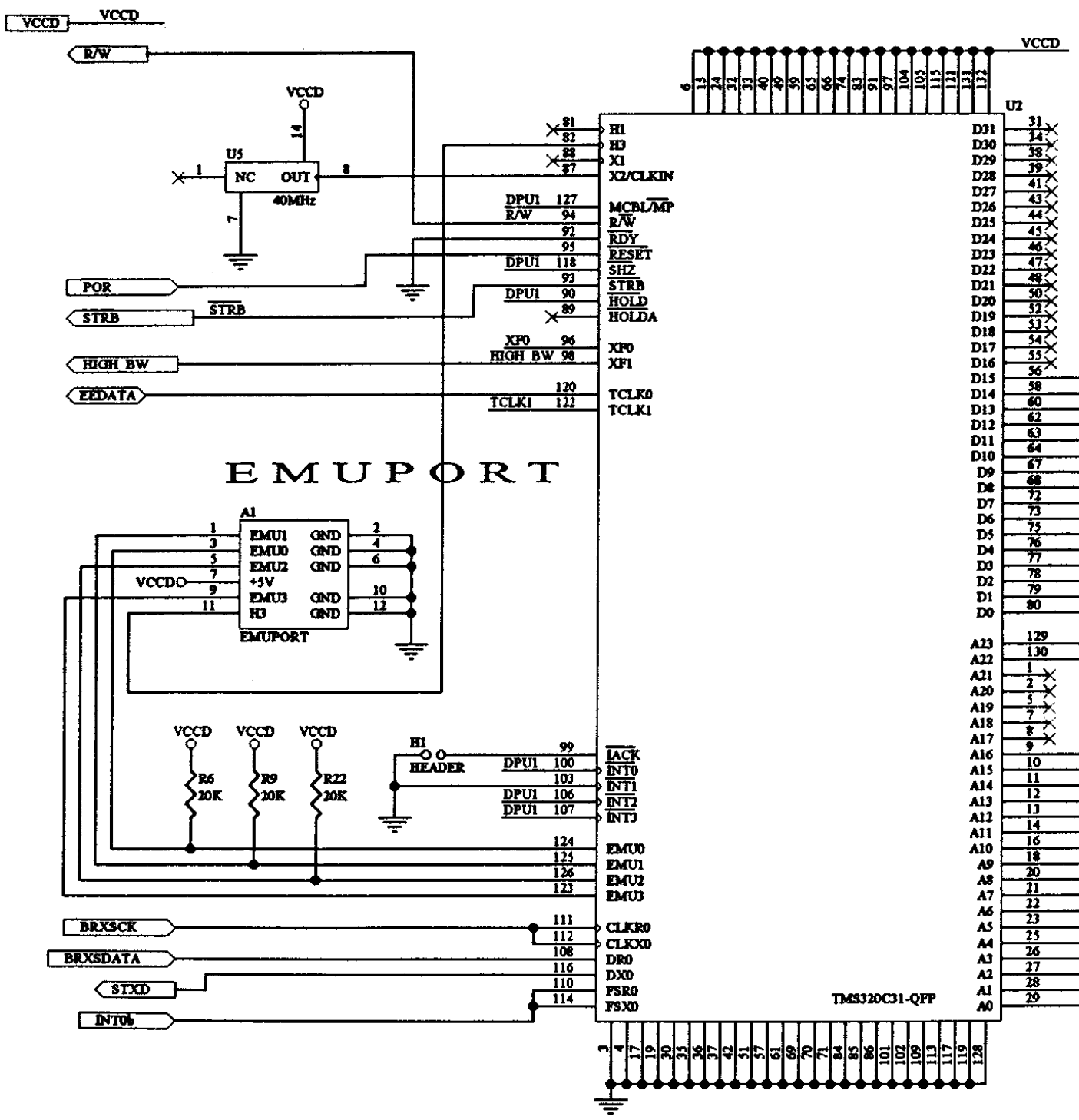
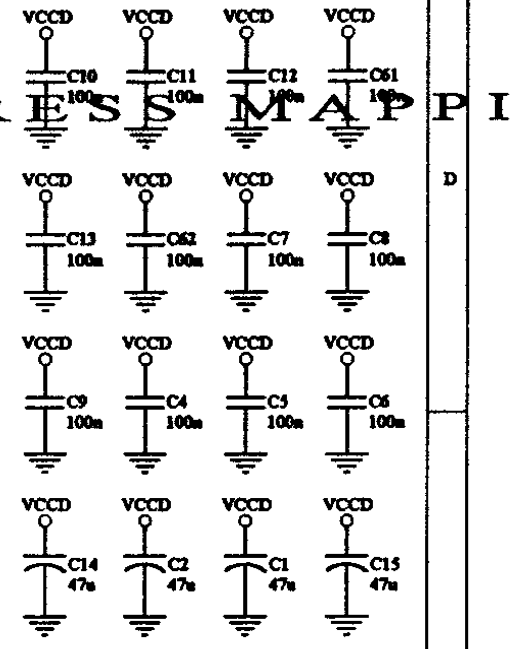
MULTI-SHEET LINKAGE:

CADTIPROC31REV3SCHSHEET2.SCH SHEET2.SCH CADTIPROC31REV3SCHSHEET3.SCH SHEET3.SCH CADTIPROC31REV3SCHSHEET4.SCH SHEET4.SCH CADTIPROC31REV3SCHSHEET5.SCH SHEET5.SCH CADTIPROC31REV3SCHSHEET6.SCH SHEET6.SCH

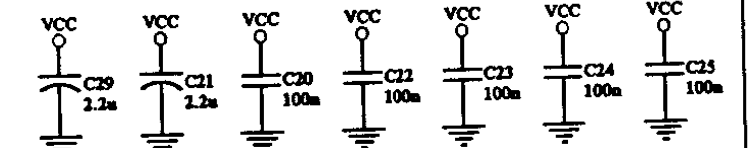
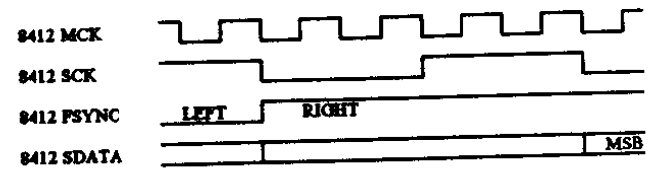
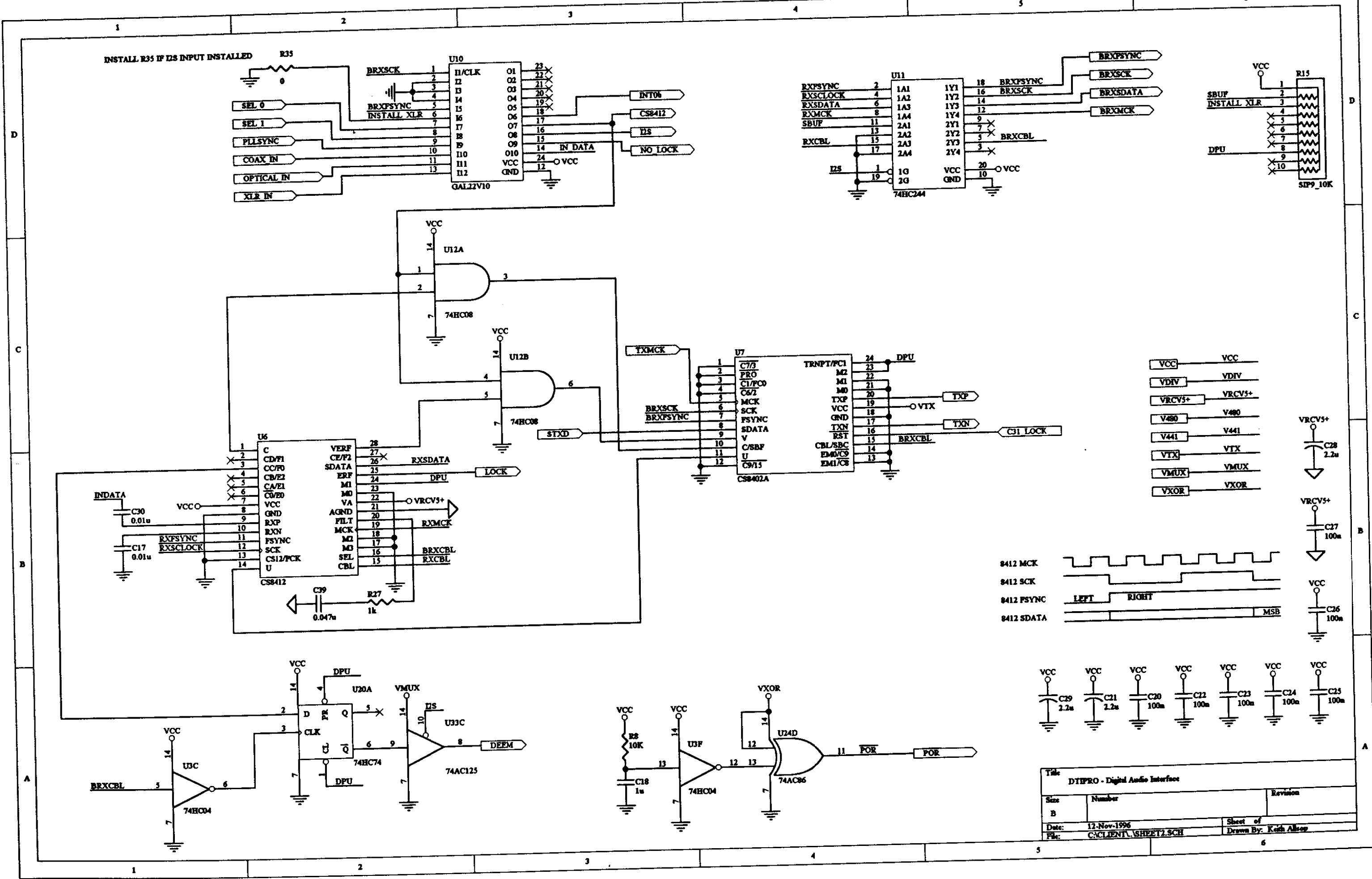


EPROM ADDRESS MAP

Header	PA15	27c64	27c128	27c256	27c512	27c1024
A15	H2	remove	remove	remove	install	install
VCCDO	H3	install	install	install	remove	remove
A14	H4	remove	remove	install	install	install
VCCDO	H5	install	install	remove	remove	remove

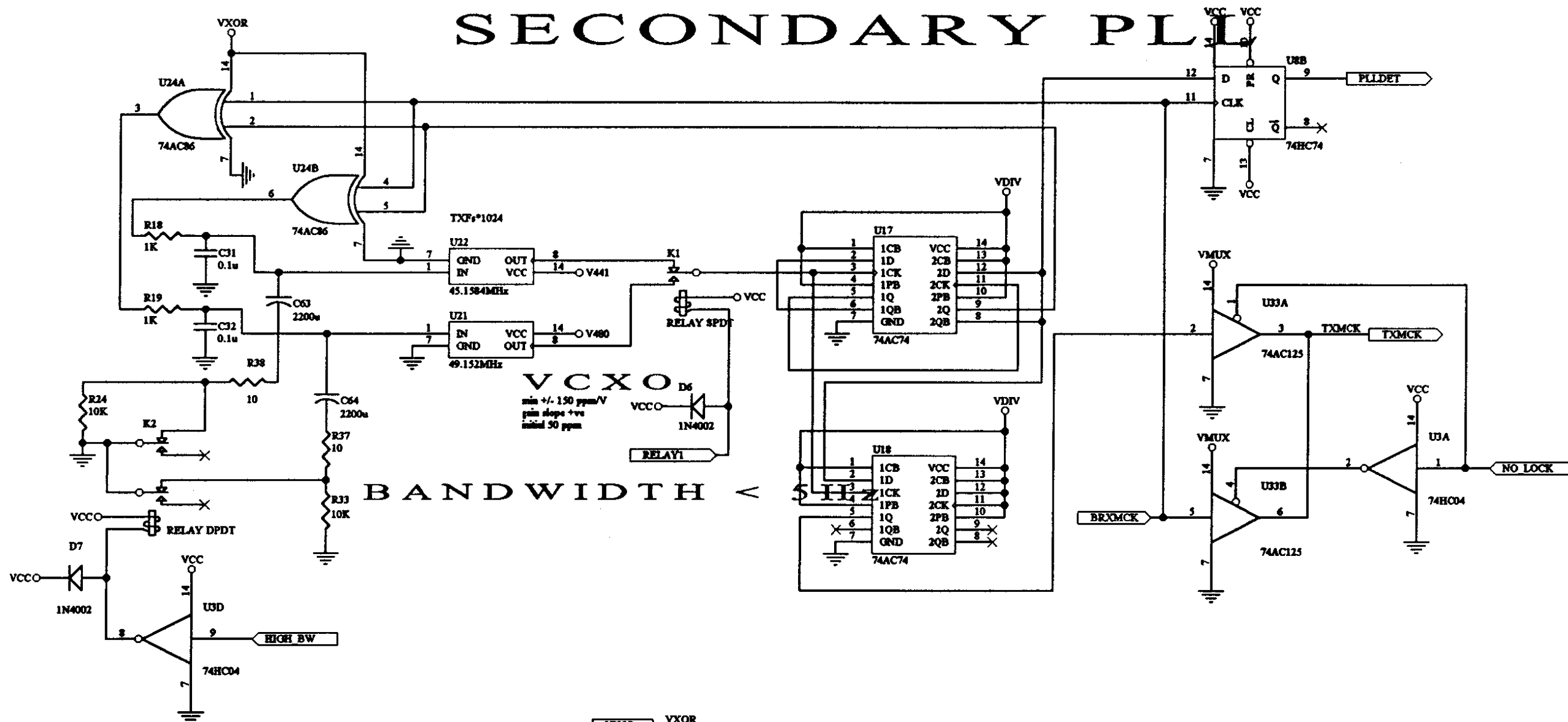


Title: DTIPRO - DSP		
Size: B	Number:	Revision:
Date: 12-Nov-1996	Sheet of:	Drawn By: Keith Allcep
File: CADTIPRO.V\DTIPRO.SCH		



Title: DIIPRO - Digital Audio Interface		
Size: B	Number:	Revision:
Date: 12-Nov-1996	Sheet of:	Drawn By: Keith Aksep
File: C:\CLIENT\1\SHEET1.SCH		

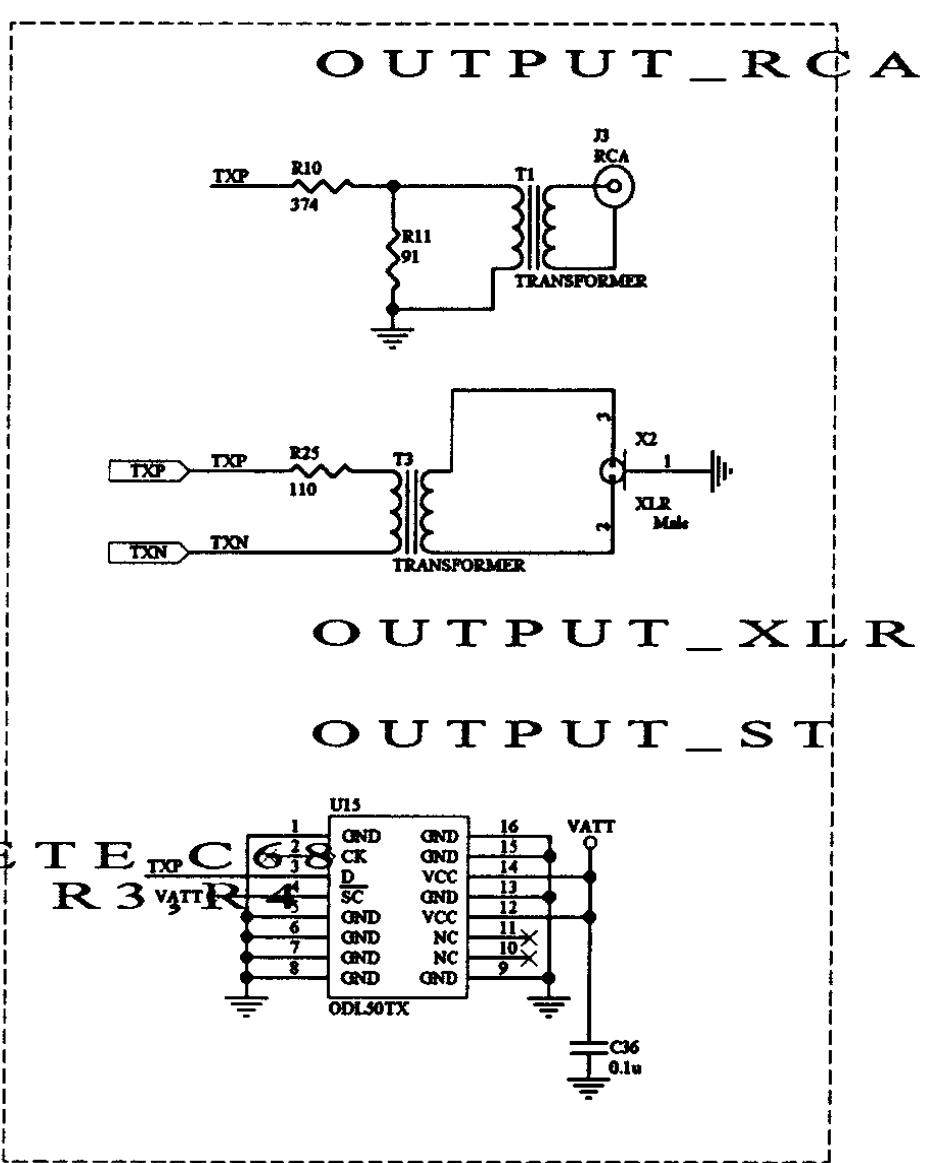
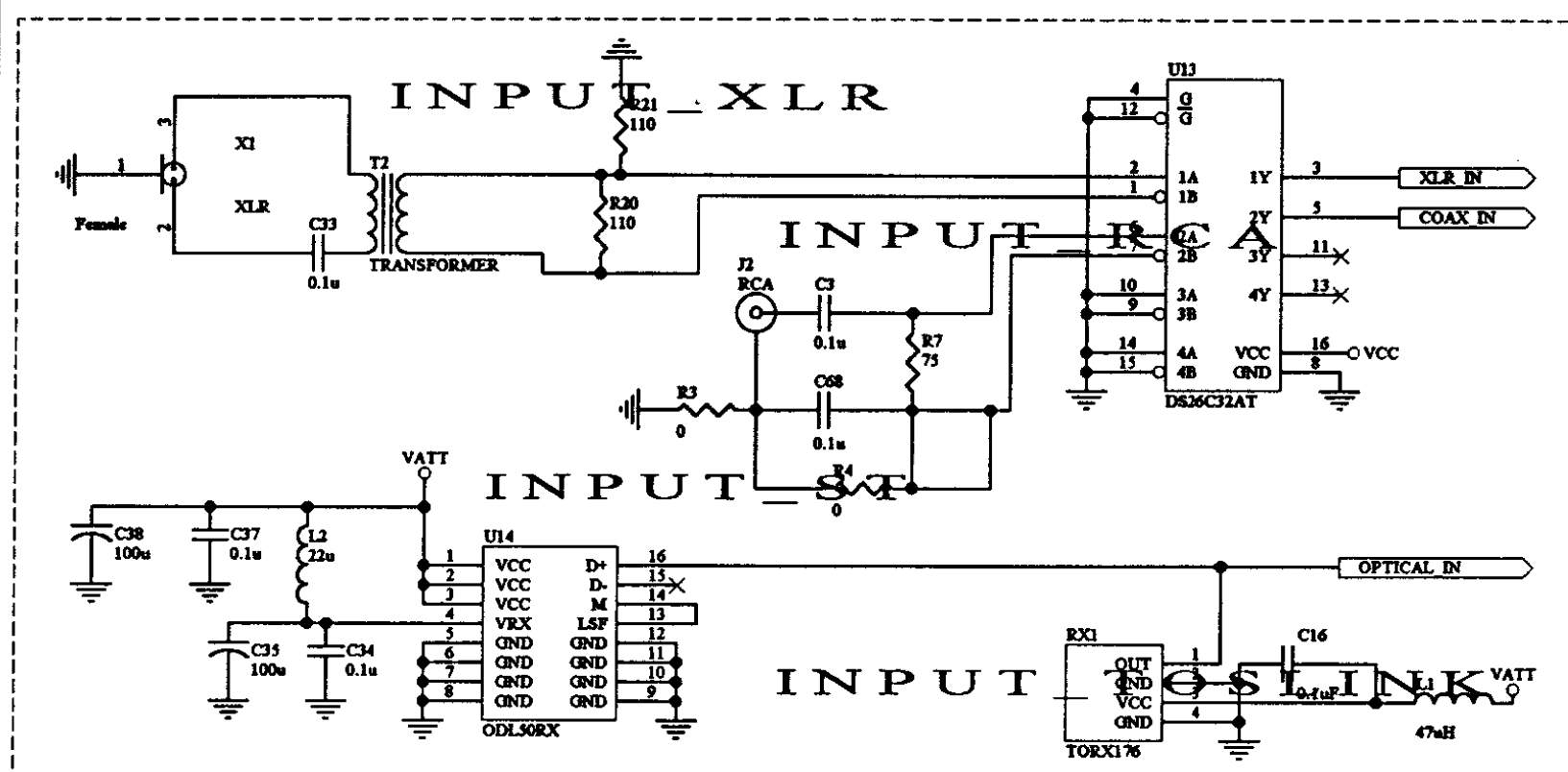
SECONDARY PLL LOCK DETECTOR



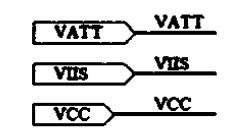
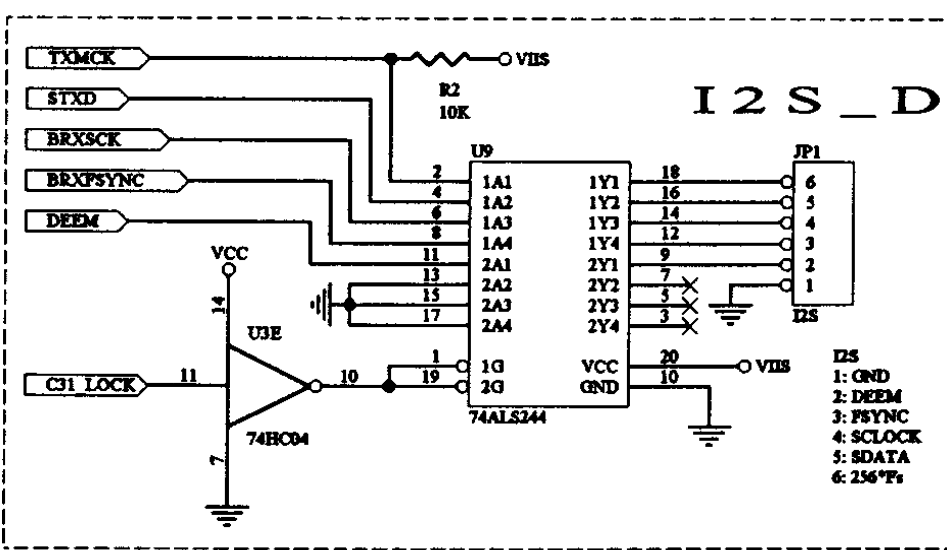
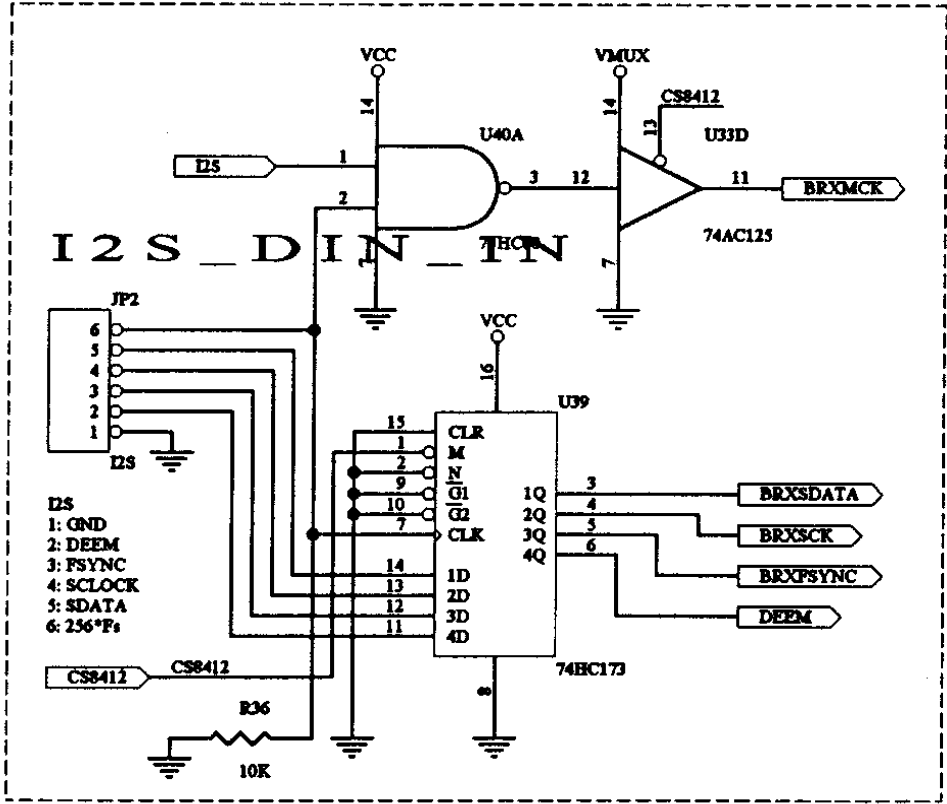
BANDWIDTH < 5 Hz

- VXOR — VXOR
- VCC — VCC
- V441 — V441
- V480 — V480
- VDIV — VDIV
- VMUX — VMUX

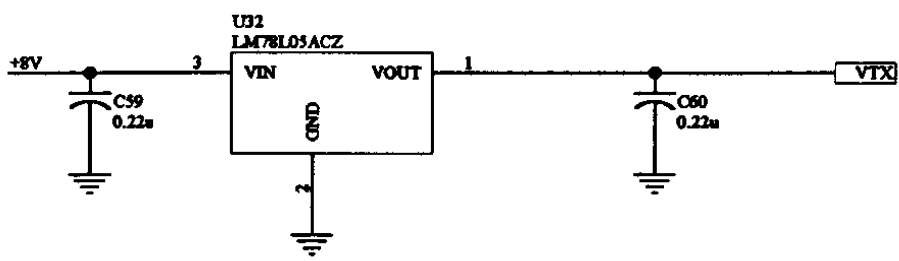
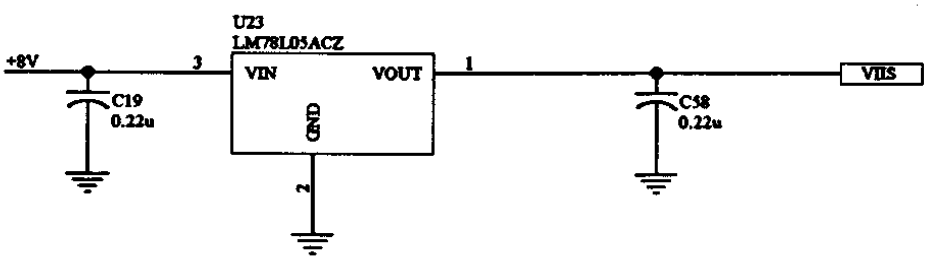
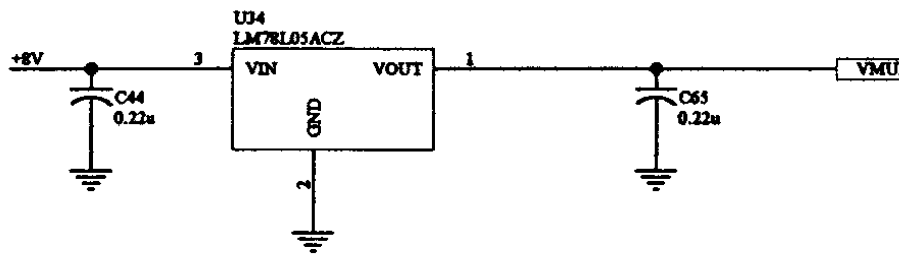
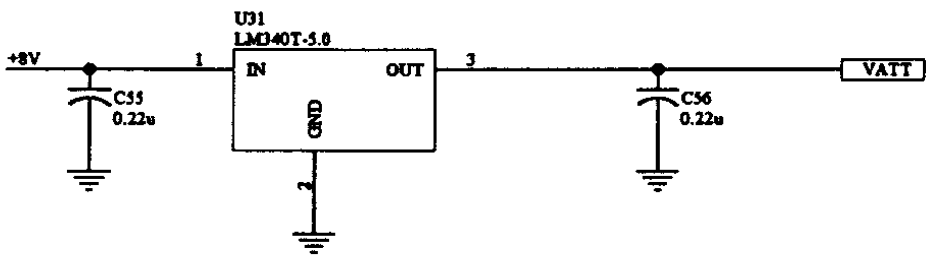
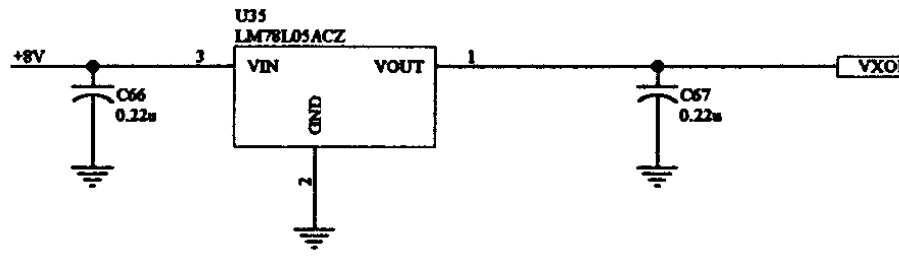
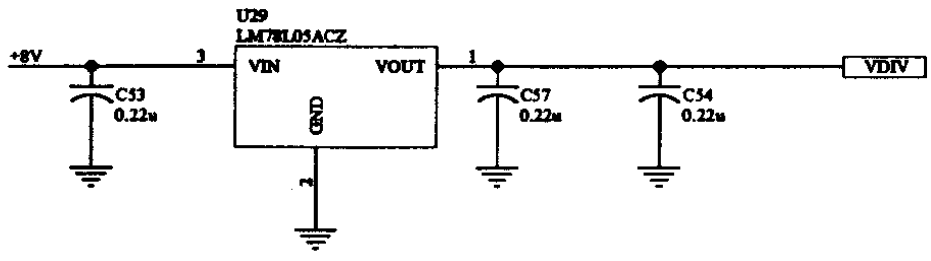
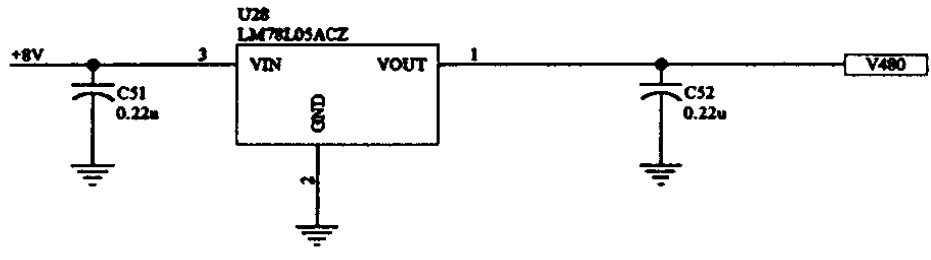
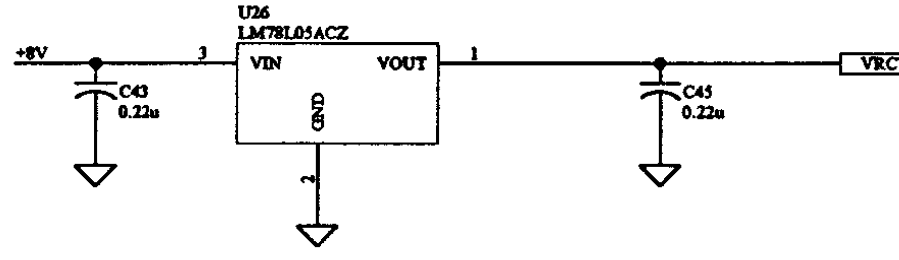
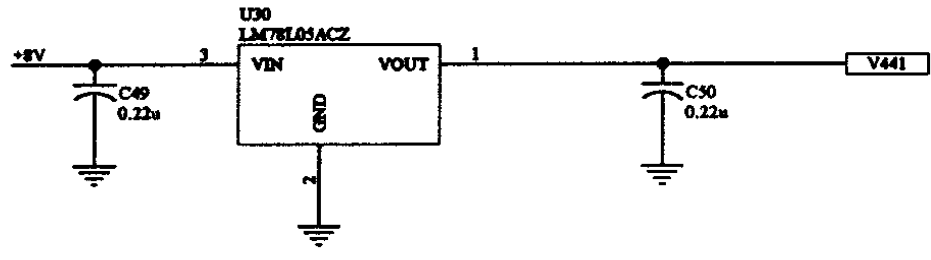
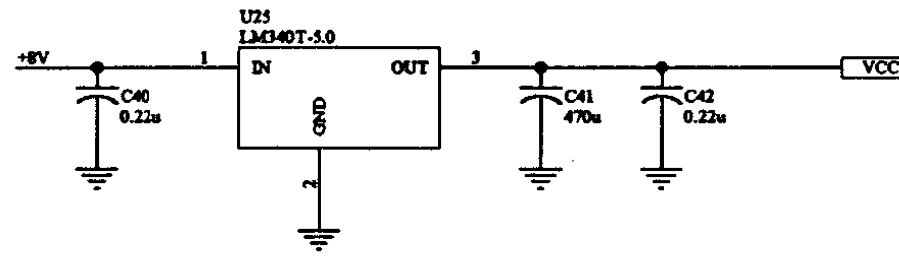
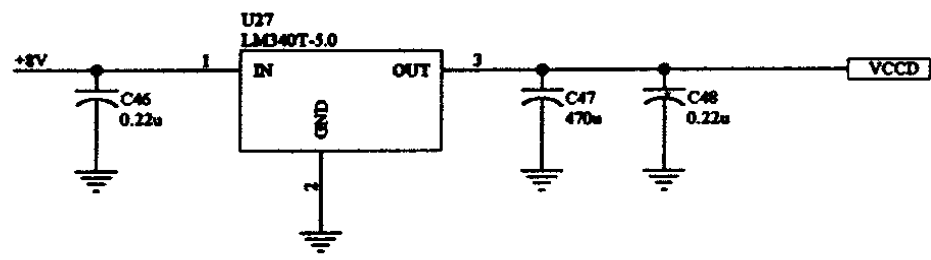
Title		
Size	Number	Revision
B		
Date:	12-Nov-1996	Sheet of
File:	CACIENT\ SHEET3.SCH	Drawn By:



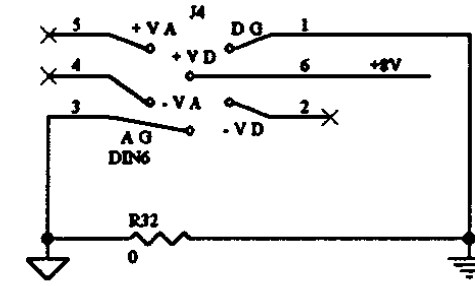
UNBALANCED RCA: DELETE C68
 BALANCED RCA: DELETE R3



Title		
Size	Number	Revision
B		
Date:	12-Nov-1996	Sheet of
File:	CACUENT_VSHEET4.SCH	Drawn By:



Note: -5V, -18V & +18V are unused.



ANALOG / DIGITAL GROUND LINK

Title DTIPRO - Power Supply		
Size B	Number	Revision
Date: 12-Nov-1996	Sheet of	Drawn By: Keith Allison
File: CACLIENT\ASHEET3.SCH		

