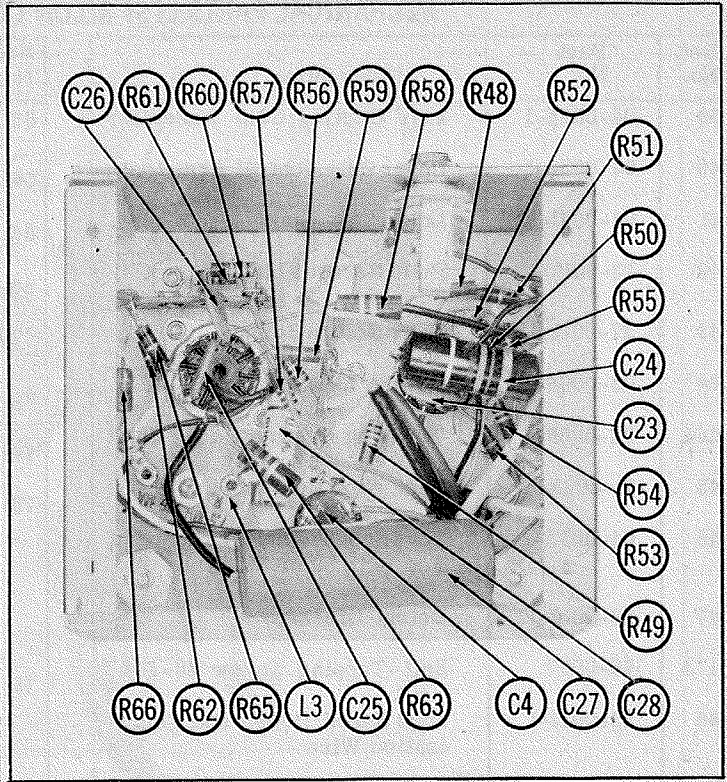
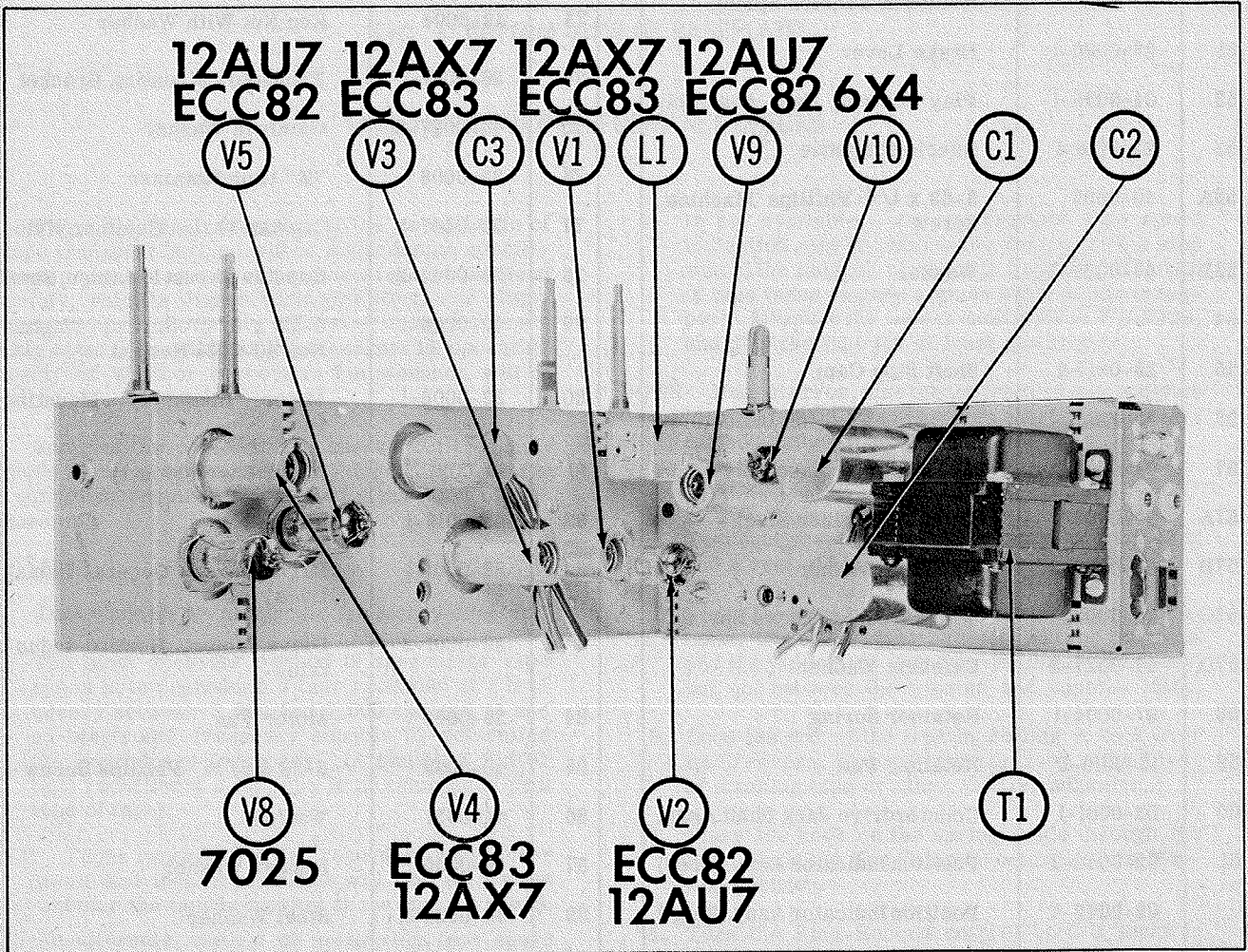


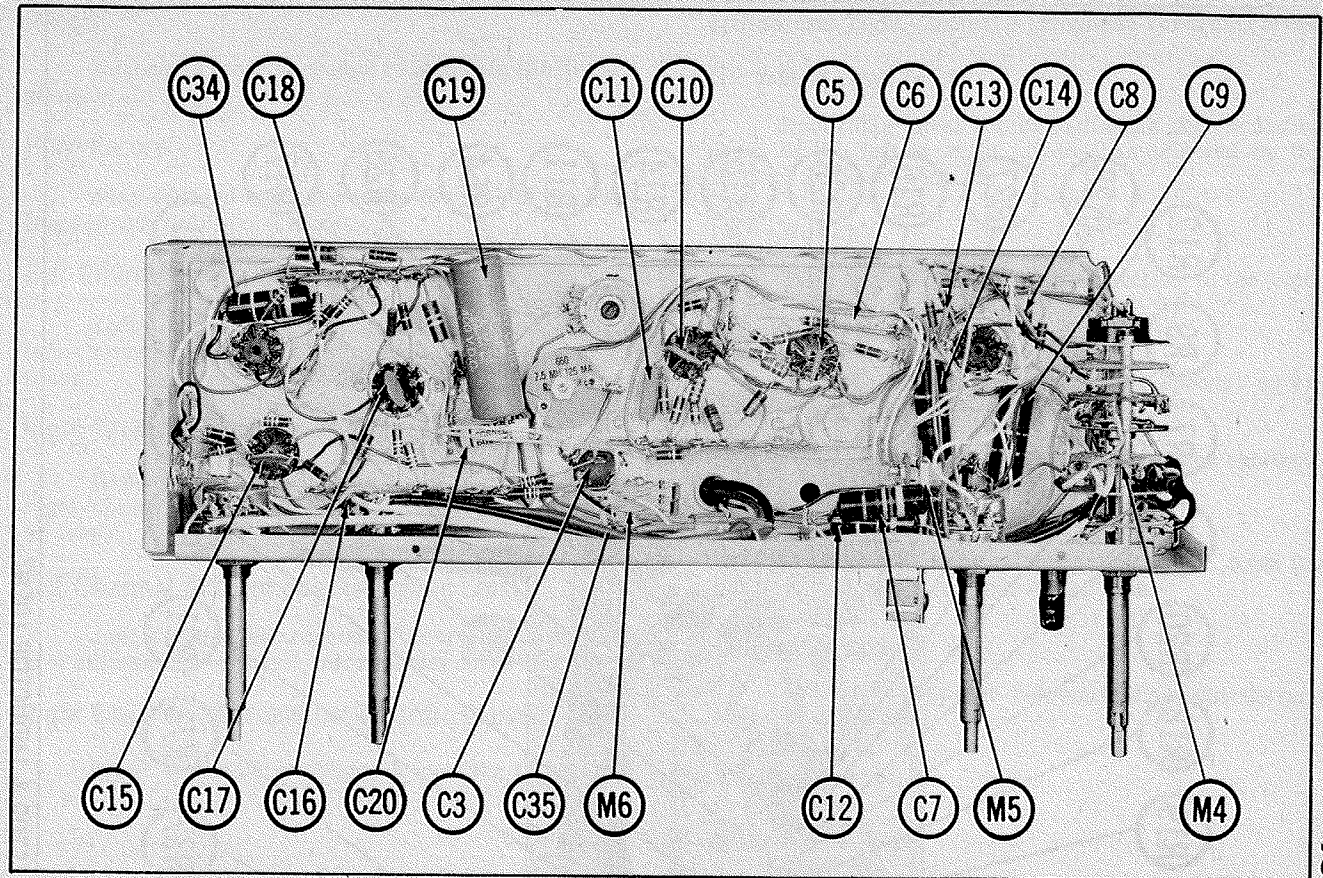
PREAMP CHASSIS - TOP VIEW



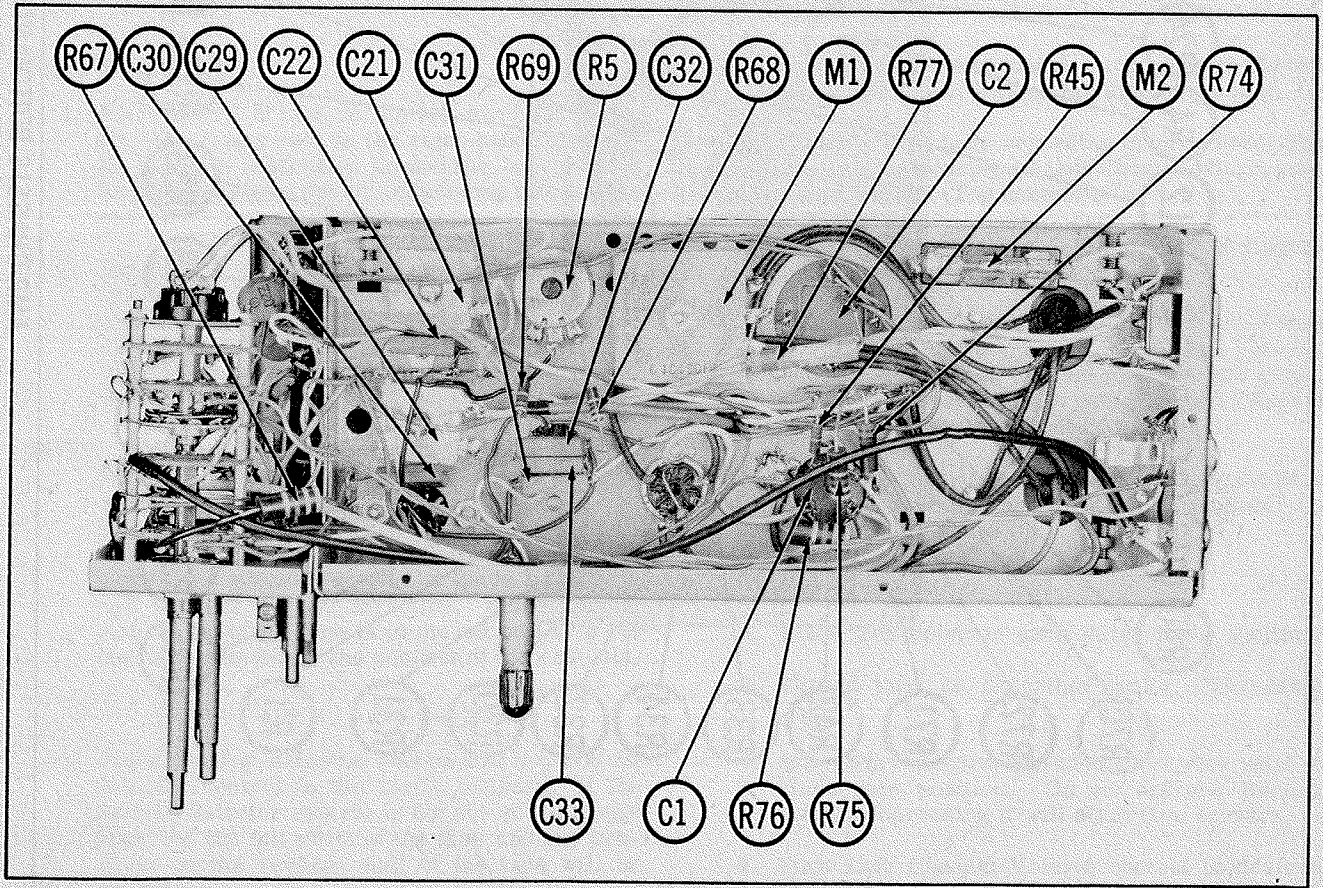
PREAMP CHASSIS - BOTTOM VIEW



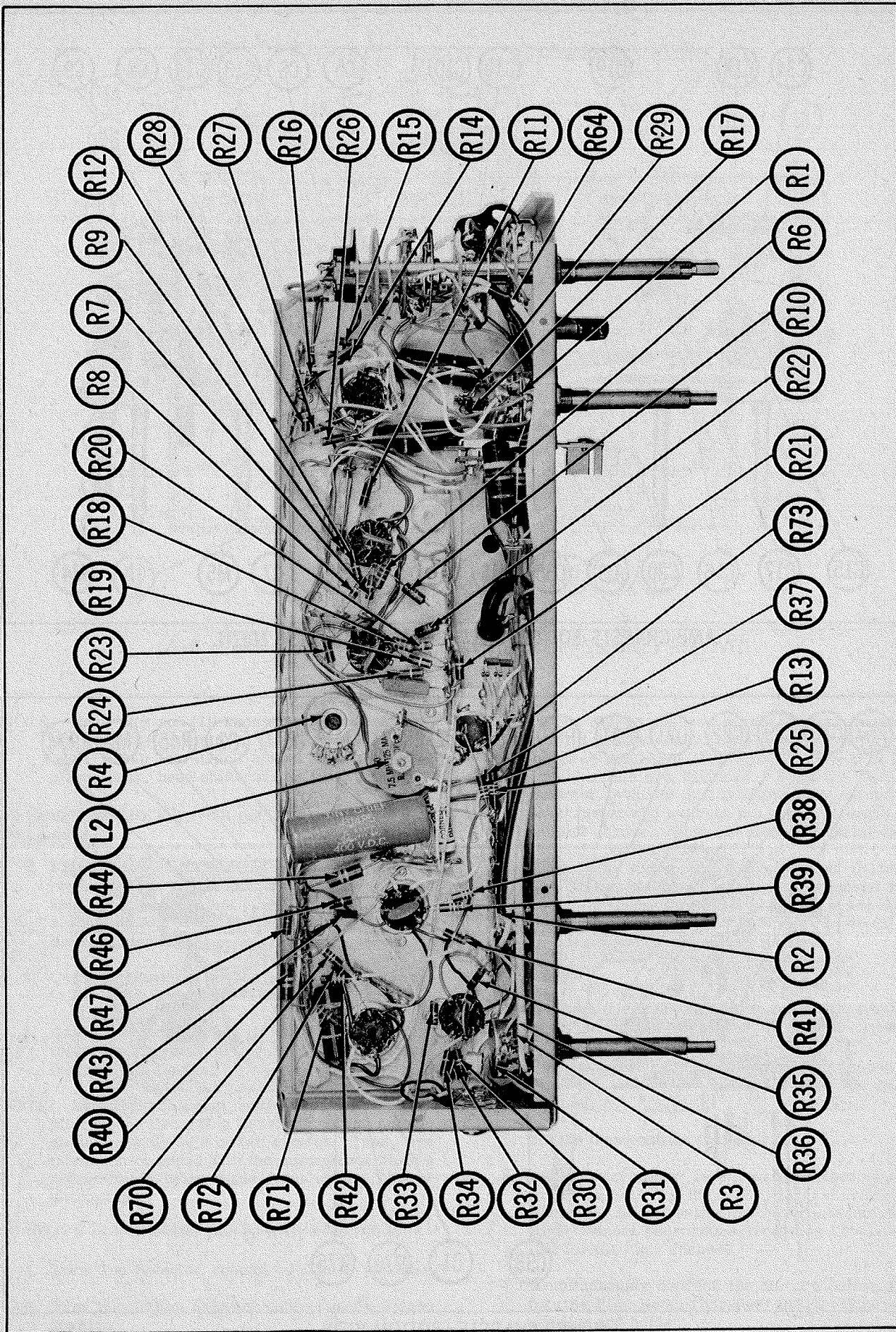
ELECTRICAL CHASSIS - TOP VIEW



AMP CHASSIS BOTTOM VIEW - CAPACITOR & MISC IDENT.



POWER CHASSIS - BOTTOM VIEW



AMP CHASSIS BOTTOM VIEW - RESISTOR & INDUCTOR IDENT.



## ELECT. PARTS LIST AND DESCRIPTIONS

### TUBES ( GENERAL ELECTRIC, SYLVANIA )

ITEM No.	USE	TYPE
V1	Left Ch. Pre-amplifier	ECC83/12AX7
V2	Right Ch. Cath. Follower	ECC82/12AU7
V3	Right Ch. Pre-amplifier	ECC83/12AX7
V4	Left Ch. Pre-amplifier	ECC83/12AX7
V5	Left Ch. AF Amplifier	ECC82/12AU7

ITEM No.	USE	TYPE
V6	Right Ch. Pre-amplifier	ECC83/12AX7
V7	Right Ch. Amplifier	ECC82/12AU7
V8	VU Meter Amplifier	7025
V9	Bias Oscillator	ECC82/12AU7
V10	Rectifier	6X4

### ELECTROLYTIC CAPACITORS

ITEM No.	RATING			REPLACEMENT DATA			NOTES
	CAP.	VOLT.	TOL.	AEROVOX PART No.	MALLORY PART No.	SPRAGUE PART No.	
C1A	20	450		AFH4-14	D0177	TVL-4763	
B	20	450					
C	20	450					
D	20	450					
C2	2000	15		AFH1-03	A0070	TVL-1168	
C3A	10	350		AFH3-27	C0210	TVL-3778	
B	10	350					
C	10	350					
C4A	20	450		AFH2-50	B0390	TVL-2754	
B	10	450					

### FIXED CAPACITORS

Capacity values given in the rating column are in mfd. for Paper Capacitors, and in mmfd. for Mica and Ceramic Capacitors.

ITEM No.	RATING			REPLACEMENT DATA			NOTES
	CAP.	VOLT.	TOL.	AEROVOX PART No.	MALLORY PART No.	SPRAGUE PART No.	
C5	4700			54-0006	DD-472	5HK-D47	
C6	560			1469-00056	DD-472	MS-356	
C7	047	400	5%	P488N-047	DF-503	4TM-547	
C8	20000			BPD-0047	DF-503	5HK-52	
C9	1	400		54-0010	DF-104	4TM-F1	
C10	4700			BPD-0047	DF-104	5HK-D47	
C11	560			1469-00056	DF-104	5HK-D47	
C12	047	400	5%	P488N-047	DF-503	MS-356	

### CAPACITORS (cont)

ITEM No.	RATING			REPLACEMENT DATA			NOTES
	CAP.	VOLT.	TOL.	AMPEX PART No.	AEROVOX PART No.	CENTRALAB PART No.	
C13	20000			54-0011	BPD-02	DD-203	5HK-S1
C14	.1	400		54-0010	P488N-1	DF-104	4TM-F1
C15	4700			54-0006	BPD-0047	DF-503	5HK-D47
C16	.047	400		54-0003	P488N-047	DF-503	4TM-S47
C17	4700			54-0006	BPD-0047	DF-503	5HK-D47
C18	4700			54-0006	BPD-0047	DD-472	5HK-D47
C19	.5	400	5%	54-0001	P488N-5	DD-472	4TM-P5
C20	.015	200	5%	54-0008	V64C2S15 5%		2WF-S15
C21	100			54-0008	1464-0011		MS-211
C22	100		5%	54-0031	BPD-0047	DD-472	5HK-D47
C23	4700			54-0006	P488N-047	DF-503	4TM-S47
C24	.047	400		54-0006	BPD-0047	DD-472	5HK-D47
C25	4700			54-0006	BPD-0047	DD-472	5HK-D47
C26	4700			54-0006	BPD-0047	DD-472	5HK-D47
C27	.5	400	5%	54-0001	P488N-5	DD-472	4TM-P5
C28	.015	200	5%	54-0005	V64C2S15 5%		2WF-S15
C29	100		5%	54-0008	1464-0011		MS-211
C30	100		5%	54-0031	BPD-0047	DD-472	5HK-D47
C31	350		5%	54-0009	1469-00035		MS-335
C32	350		5%	54-0007	1469-00035		MS-335
C33	1000		5%	54-0007	1469-001		MS-210
C34	.047	400	5%	54-0003	P488N-047	DF-503	4TM-S47
C35	4700			54-0006	BPD-0047	DD-472	5HK-D47

### CONTROLS

ITEM No.	RATING		REPLACEMENT DATA			INSTALLATION NOTES
	RESIST-ANCE	WATTS	AMPEX PART No.	CENTRALAB PART No.	CLAROSTAT PART No.	
R1A	500K		52-0016-2			Volume
R1B	500K		52-0016-2			Volume
R2A	500K		52-0016-2			Recording Level
R2B	500K		52-0016-2			Recording Level
R3A	500K		52-0016-2			Recording Level
R3B	500K		52-0016-2			Recording Level
R4A	500K		52-0005			Meter Calibration
R4B	Shaft					Meter Calibration
R5A	10K		52-0002			Noise Balance
R5B	Shaft					Noise Balance