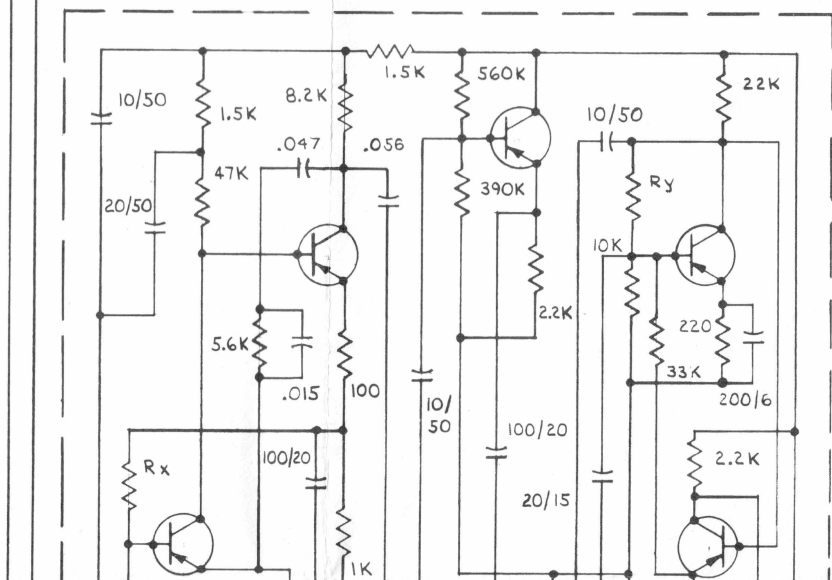
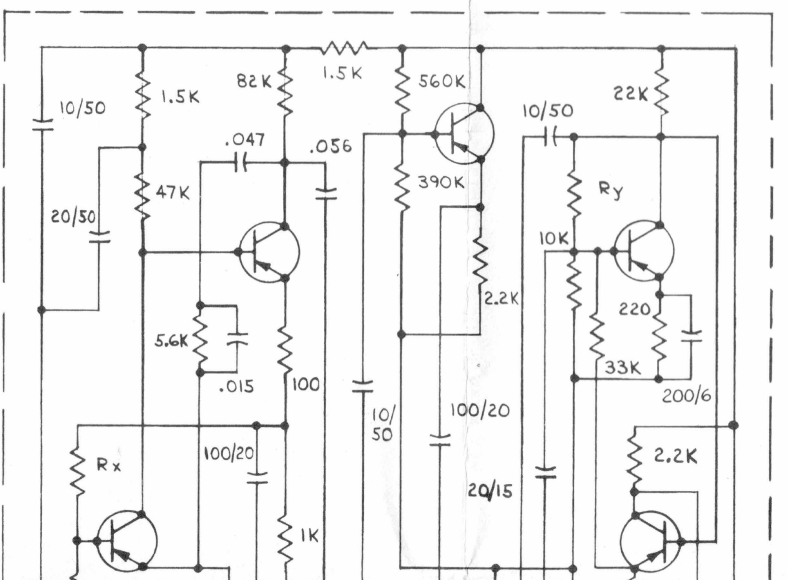
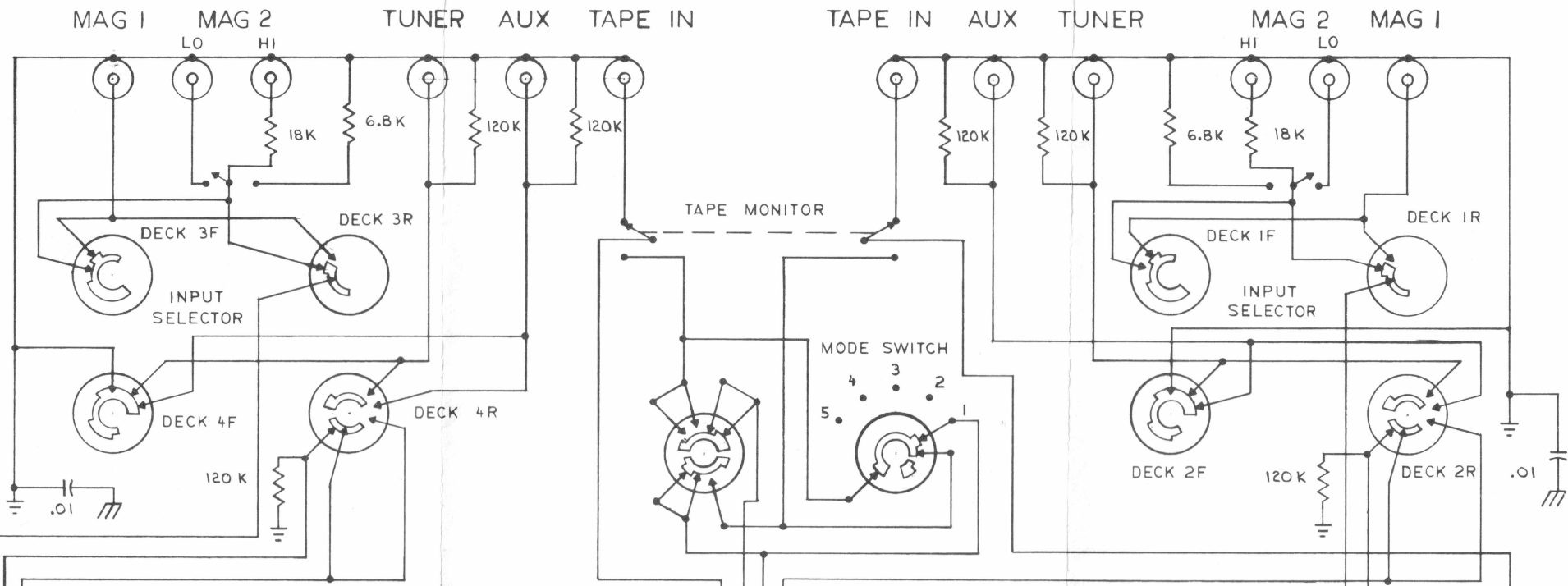
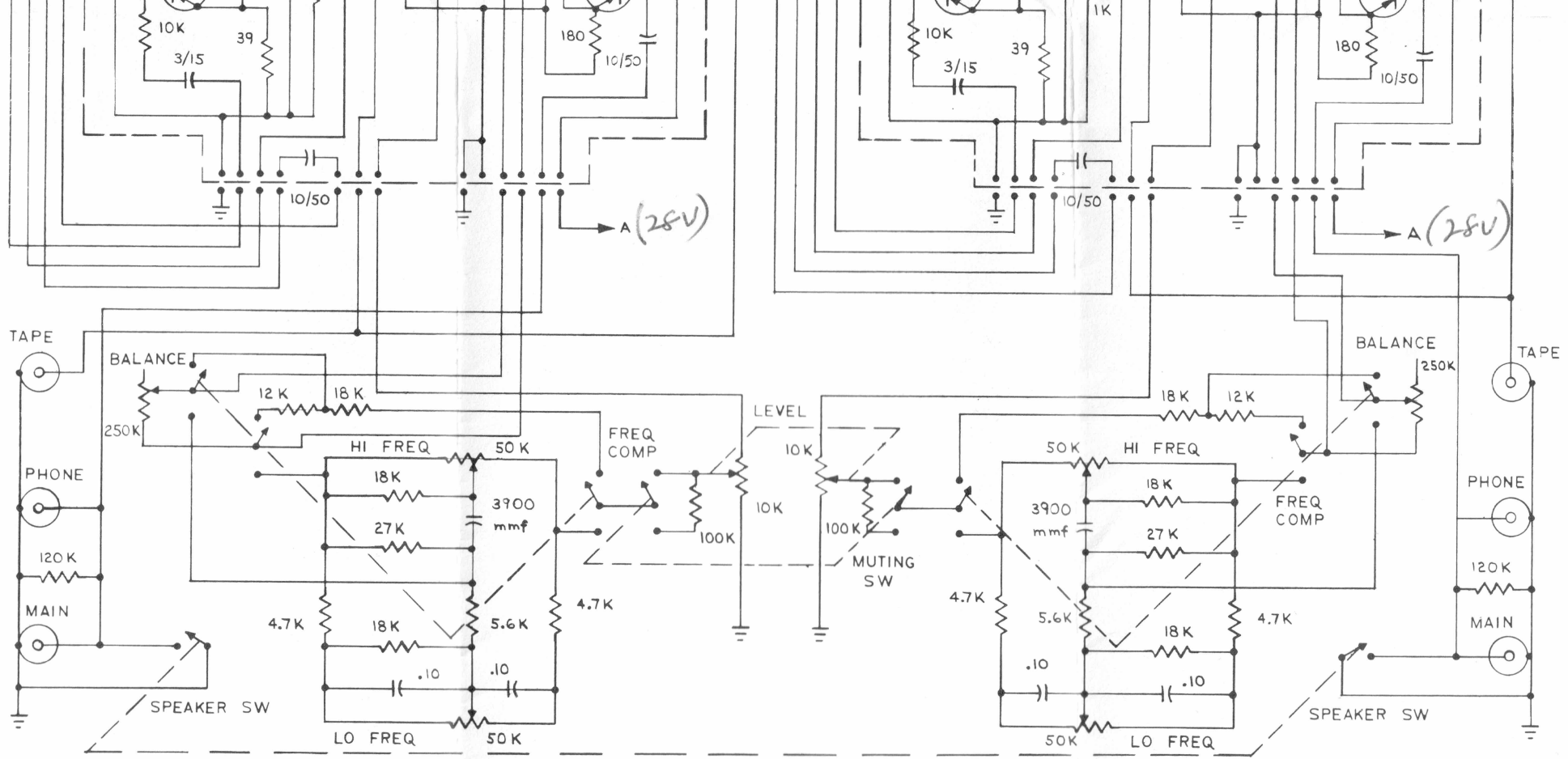


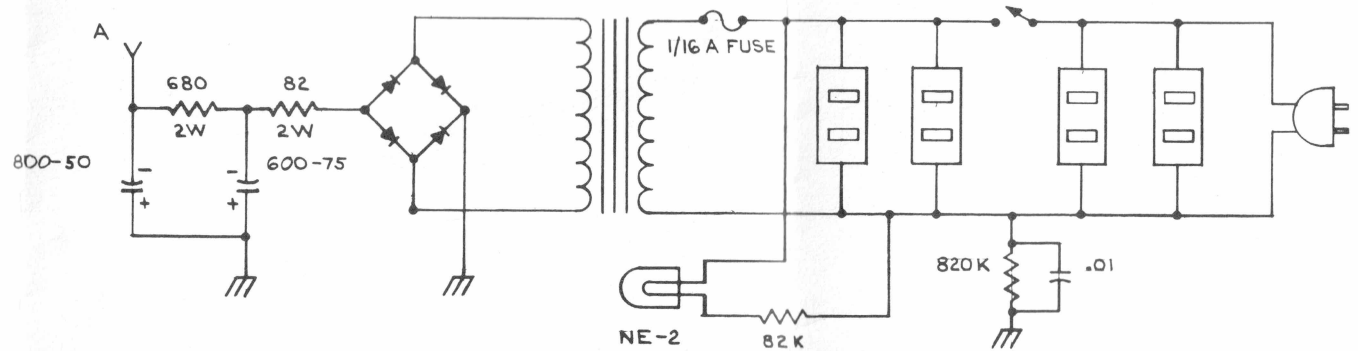
LEFT CHANNEL

RIGHT CHANNEL





ALL RESISTORS 1/2 WATT
 ALL CAPACITOR VALUES IN
 MICROFARADS UNLESS
 OTHERWISE SPECIFIED



ACOUSTIC TECHNOLOGY LABS INC			
SCHEMATIC ACOUSTECH IV			
DR: JF	SIZE D	DWG NO 1028	REV. A
DATE: 5-15-64			