

SAVA-7

SERVICE MANUAL

*US Model
Canadian Model
AEP Model
UK Model
E Model
Australian Model
Chinese Model*



SPECIFICATIONS

AUDIO POWER SPECIFICATIONS

POWER OUTPUT AND TOTAL HARMONIC DISTORTION:

For center and front full range speakers:
With 8 ohm loads, both channels driven,
from 70 Hz – 20 kHz; rated 8 watts per
channel minimum RMS power, with no more
than 0.9 % total harmonic distortion from
250 milliwatts to rated output.

Amplifier section

Continuous RMS power output
total 80 W

Center	13 W (8 ohms at 1 kHz, 9 % THD)
Front	13 W + 13 W (8 ohms at 1 kHz, 9 % THD)
Super woofer	28 W (8 ohms at 60 Hz, 9 % THD)
Surround	13 W (8 ohms at 1 kHz, 9 % THD)

Input sensitivity/Impedance
450 mV, 25 kilohms

Output	TO TV: 450 mV
External speaker	
Center	accepts 8–16 ohms speaker
Surround	accepts 4-8 ohms speakers

Tone control

Front	Bass: ± 10 dB at 100 Hz Treble: ± 10 dB at 10 kHz
-------	---

Speaker section

Center speaker	Closed type
Front speaker	Closed type
Super woofer	ABR type
Surround speaker	Closed type

Speaker unit	Center: 7 cm cone type (2) Front: 8 cm cone type (2) Super woofer: 10 cm cone type (2) Surround speaker: 7 cm cone type (2)
--------------	--

General

Power requirement	U.S.A., Canada and Central South America: 120 V AC, 60 Hz Other models: 220 - 230 V AC, 50/60 Hz
-------------------	--

Power consumption 55 W

Dimensions	Left: Approx. 125 x 420 x 275 mm (w/h/d) (5 x 16 ⁵ / ₈ x 10 ⁷ / ₈ inches) Right: Approx. 125 x 420 x 275 mm (w/h/d) (5 x 16 ⁵ / ₈ x 10 ⁷ / ₈ inches)
------------	---

Mass	Left: 4.5 kg (9 lb 15 oz) Right: 5.5 kg (12 lb 2 oz)
------	---

Supplied accessories

L/R speaker connecting cord, 2 m (1)
Audio connecting cord, 1.5 m (1)
Black: 2-pin x 2-pin
White: 2-pin x stereo mini
Remote Commander RM-J7 (1)
Sony batteries SUM-3 (NS) (2)

Design and specifications are subject
to change without notice.

ACTIVE SURROUND SPEAKER SYSTEM



SONY®

TABLE OF CONTENTS

1.	GENERAL	3
2.	DISASSEMBLY	
2-1.	GRILLE FRAME ASSY, FRONT PANEL ASSY, FRONT SPEAKER	4
2-2.	TOP GRILLE ASSY, TOP SPEAKER	4
2-3.	STAND ASSY, BOTTOM GRILLE, BOTTOM SPEAKER	5
3.	DIAGRAMS	
3-1.	CIRCUIT BOARDS LOCATION	6
3-2.	SCHEMATIC DIAGRAM – MAIN SECTION –	7
3-3.	PRINTED WIRING BOARD – MAIN SECTION –	11
3-4.	SCHEMATIC DIAGRAM – DISPLAY SECTION –	14
3-5.	PRINTED WIRING BOARD – DISPLAY SECTION –	16
3-6.	IC PIN FUNCTIONS	17
3-7.	IC BLOCK DIAGRAMS	18
4.	EXPLODED VIEWS	
4-1.	SYSTEM (L) ASSY FRONT	20
4-2.	SYSTEM (L) ASSY BACK	21
4-3.	SYSTEM (R) ASSY FRONT	22
4-4.	SYSTEM (R) ASSY BACK	23
5.	ELECTRICAL PARTS LIST	24

SAFETY CHECK-OUT

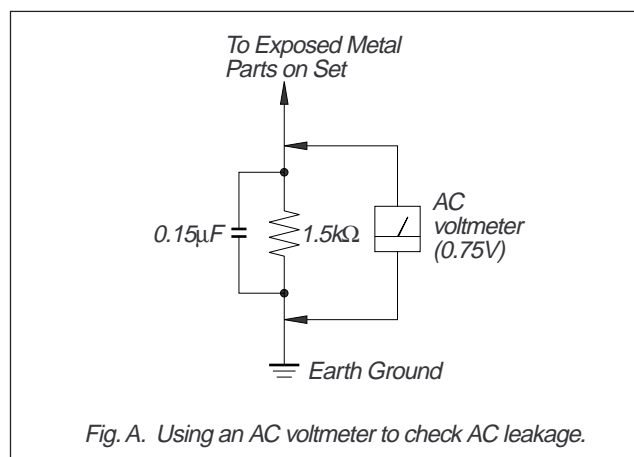
After correcting the original service problem, perform the following safety checks before releasing the set to the customer: Check the antenna terminals, metal trim, “metallized” knobs, screws, and all other exposed metal parts for AC leakage. Check leakage as described below.

LEAKAGE

The AC leakage from any exposed metal part to earth ground and from all exposed metal parts to any exposed metal part having a return to chassis, must not exceed 0.5 mA (500 microamperes). Leakage current can be measured by any one of three methods.

1. A commercial leakage tester, such as the Simpson 229 or RCA WT-540A. Follow the manufacturers’ instructions to use these instruments.
2. A battery-operated AC milliammeter. The Data Precision 245 digital multimeter is suitable for this job.

3. Measuring the voltage drop across a resistor by means of a VOM or battery-operated AC voltmeter. The “limit” indication is 0.75 V, so analog meters must have an accurate low-voltage scale. The Simpson 250 and Sanwa SH-63Trd are examples of a passive VOM that is suitable. Nearly all battery operated digital multimeters that have a 2V AC range are suitable. (See Fig. A)



SAFETY-RELATED COMPONENT WARNING!!

COMPONENTS IDENTIFIED BY MARK \triangle OR DOTTED LINE WITH MARK \triangle ON THE SCHEMATIC DIAGRAMS AND IN THE PARTS LIST ARE CRITICAL TO SAFE OPERATION. REPLACE THESE COMPONENTS WITH SONY PARTS WHOSE PART NUMBERS APPEAR AS SHOWN IN THIS MANUAL OR IN SUPPLEMENTS PUBLISHED BY SONY.

ATTENTION AU COMPOSANT AYANT RAPPORT À LA SÉCURITÉ!

LES COMPOSANTS IDENTIFÉS PAR UNE MARQUE \triangle SUR LES DIAGRAMMES SCHÉMATIQUES ET LA LISTE DES PIÈCES SONT CRITIQUES POUR LA SÉCURITÉ DE FONCTIONNEMENT. NE REMPLACER CES COMPOSANTS QUE PAR DES PIÈCES SONY DONT LES NUMÉROS SONT DONNÉS DANS CE MANUEL OU DANS LES SUPPLÉMENTS PUBLIÉS PAR SONY.

**SECTION 1
GENERAL**

This section is extracted from instruction manual.

Enjoying Surround Sound

Enjoying Surround Sound

You can take advantage of the speaker's surround sound simply by choosing a surround mode according to the type of programs you are watching. This system is provided with five different surround modes:

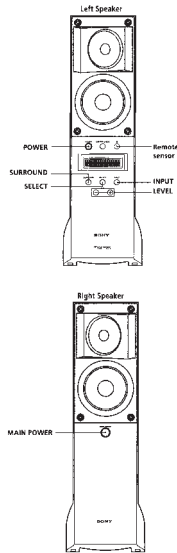
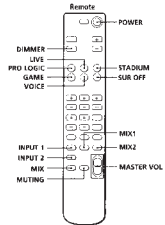
DOLBY PRO LOGIC surround mode
Reproduce superb theater like presence and surround effects from video software encoded with Dolby Pro Logic Surround.

LIVE surround mode
Obtain the effect of a live house, with its powerful surround sound.

STADIUM surround mode
Get the effect of an outdoor stadium concert.

GAME surround mode
Obtain maximum audio impact from video game software.

VOICE surround mode
Reproduce speech clearly and brightly. This mode is ideal for news programs and so forth.

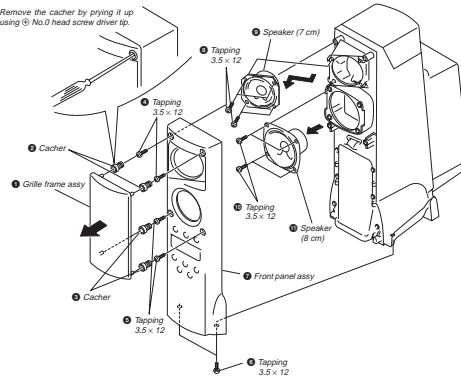


**SECTION 2
DISASSEMBLY**

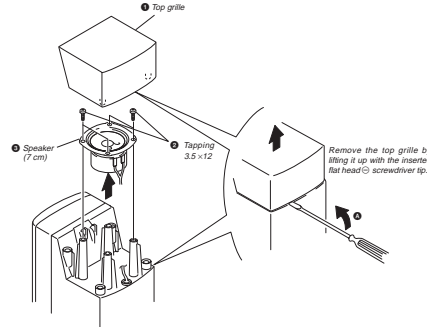
Note : Follow the disassembly procedure in the numerical order given.

1. GRILLE FRAME ASSY, FRONT PANEL ASSY, FRONT SPEAKER

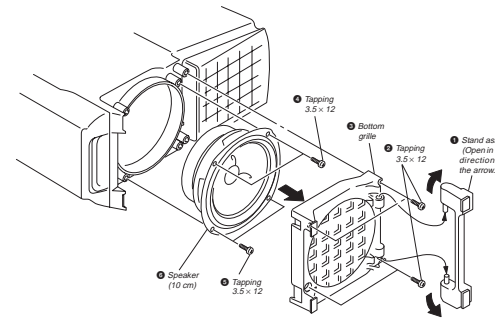
Remove the catcher by prying it up using a No.0 head screw driver tip.



2. TOP GRILLE ASSY, TOP SPEAKER

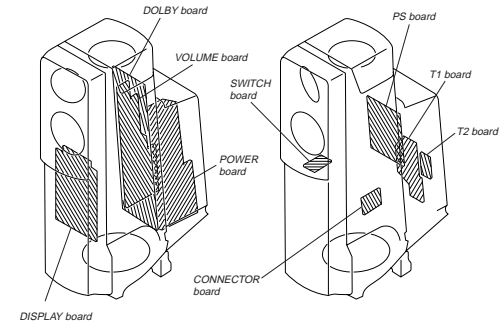


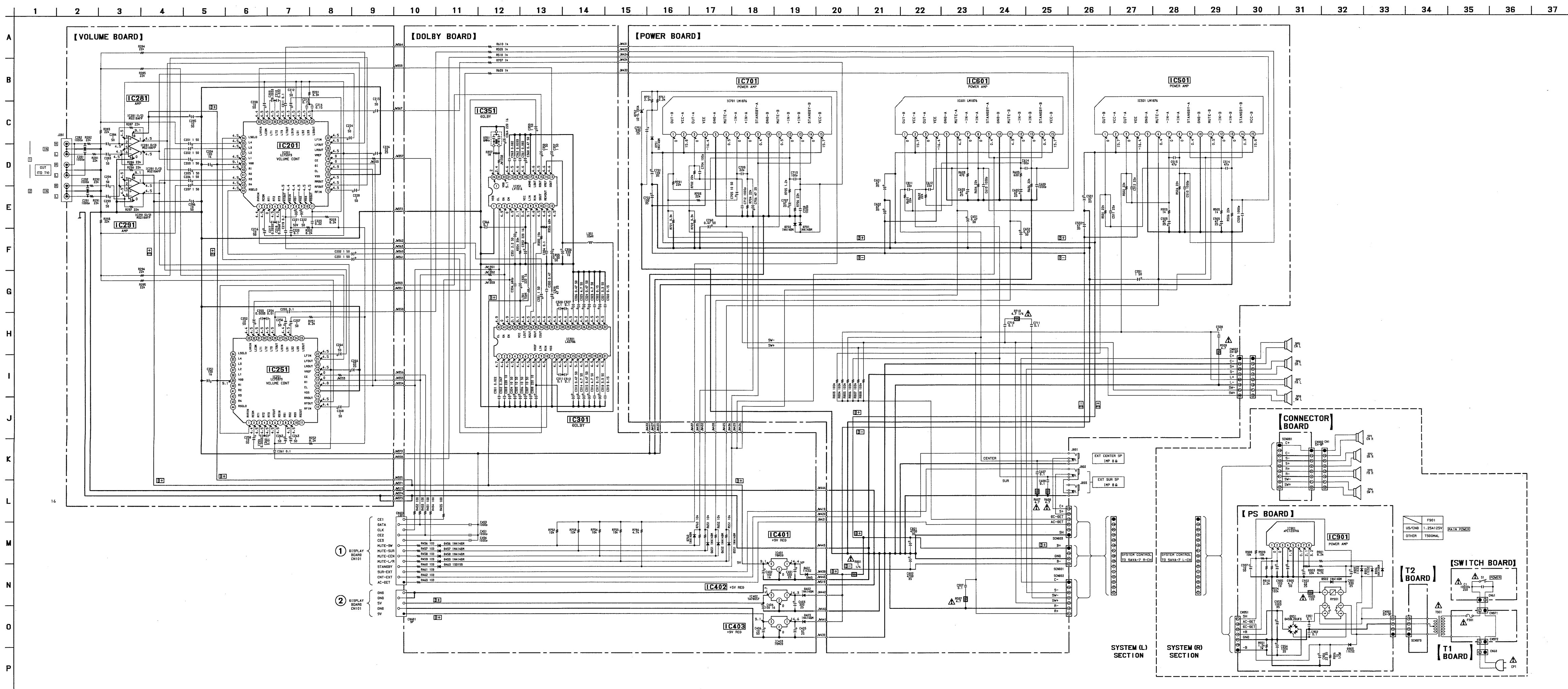
3. STAND ASSY, BOTTOM GRILLE, BOTTOM SPEAKER



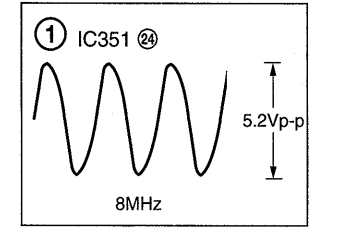
**SECTION 3
DIAGRAMS**

3-1. CIRCUIT BOARDS LOCATION





• Waveform



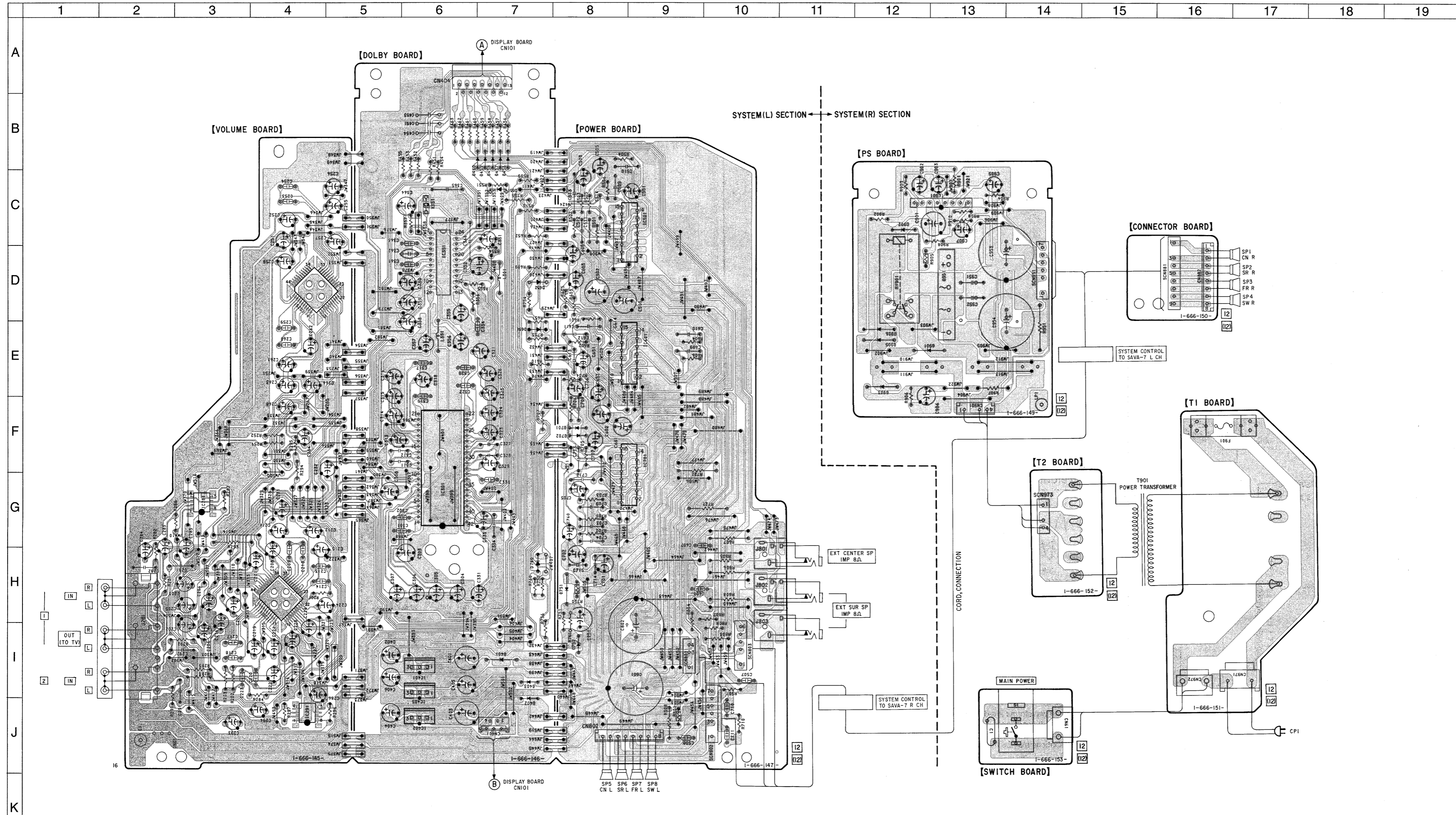
Note:

- All capacitors are in μF unless otherwise noted. pF: μF 50WV or less are not indicated except for electrolytics and tantalums.
- All resistors are in Ω and 1/4W or less unless otherwise specified.
- Δ : Internal component.
- \square : B+ Line.
- \square : B- Line.
- Voltages and waveforms are dc with respect to ground under no-signal (detuned) conditions.
- Voltages are taken with a VOM (Input impedance 10M Ω). Voltage variations may be noted due to normal production tolerances.
- Waveforms are taken with an oscilloscope. Voltage variations may be noted due to normal production tolerances.
- Circled numbers refer to waveforms.
- Abbreviation
- CND: Canadian model

The components identified by mark Δ or dotted line with mark Δ are critical for safety. Replace only with part number specified.

Les composants identifiés par une marque Δ sont critiques pour la sécurité. Ne les remplacer que par une pièce portant le numéro spécifié.

3-3. PRINTED WIRING BOARD - MAIN SECTION - • The printed wiring boards of the SYSTEM (L)/(R) section are shown on this page.

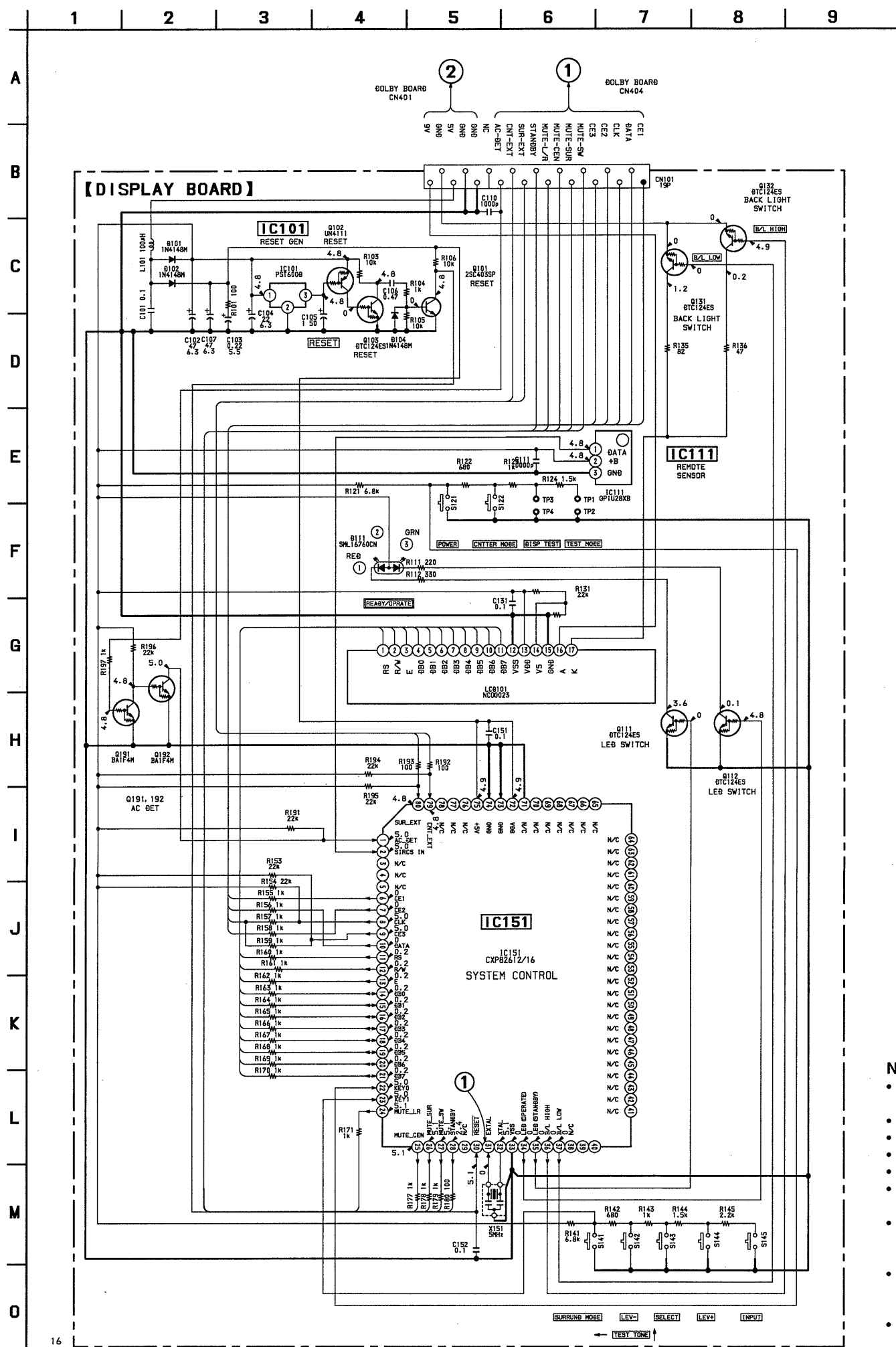


• Semiconductor Location

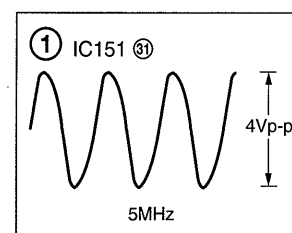
Ref. No.	Location
D401	I-7
D402	I-7
D403	I-7
D456	B-7
D457	B-7
D458	B-7
D459	B-7
D460	B-7
D551	C-7
D651	D-7
D652	D-7
D751	H-8
D752	I-8
D760	H-7
D901	E-13
D902	C-12
D903	E-12
D905	E-12
D906	E-12
D951	D-13
IC201	H-4
IC251	D-4
IC281	G-3
IC301	G-6
IC351	D-6
IC401	I-6
IC402	J-6
IC403	I-6
IC501	C-9
IC601	E-9
IC701	F-9
IC901	C-13

Note:
 • — : Parts extracted from the component side.
 • — : Pattern on the side which is seen.

3-4. SCHEMATIC DIAGRAM - DISPLAY SECTION -



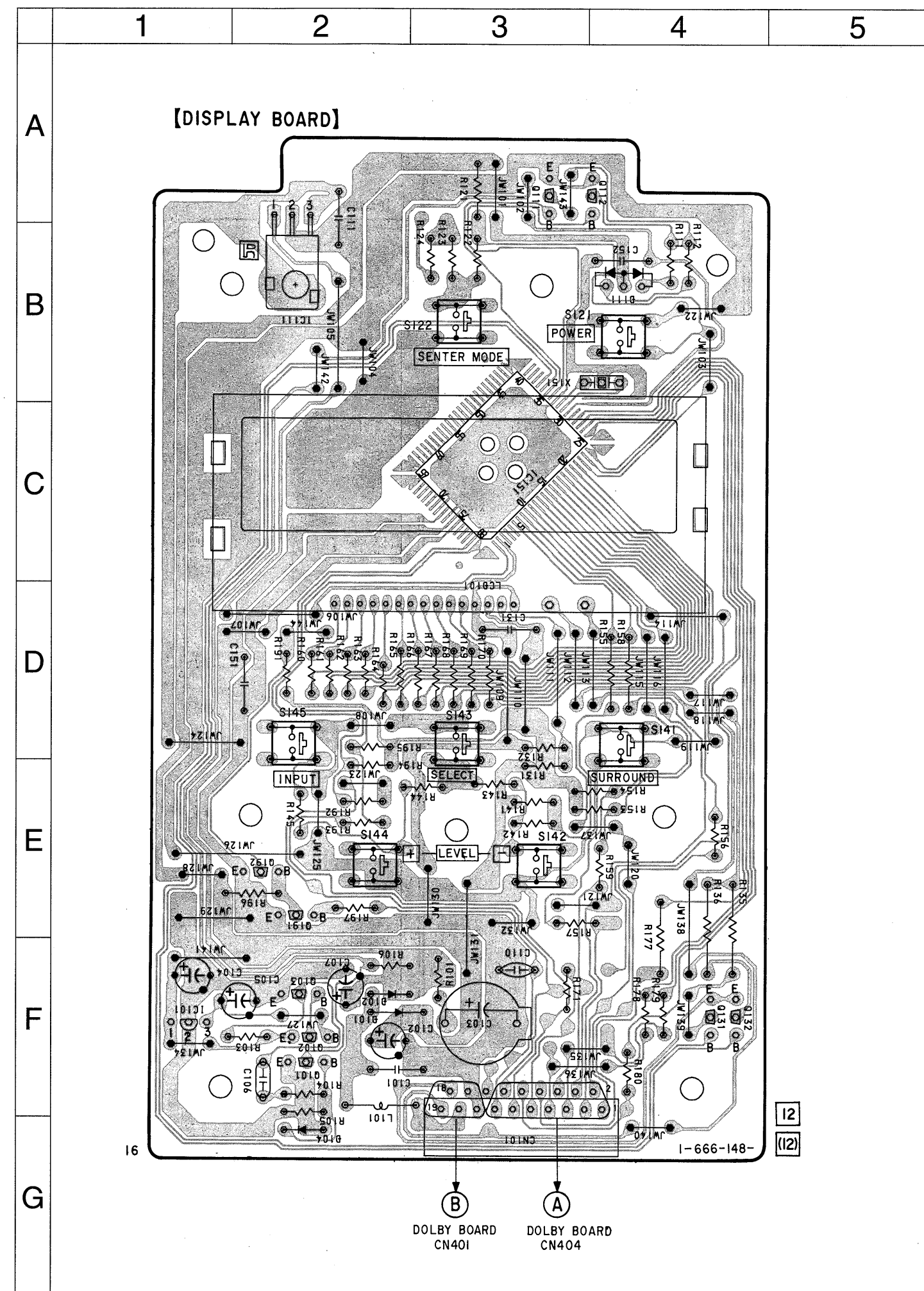
• Waveform



Note:

- All capacitors are in μF unless otherwise noted. pF : μF 50VV or less are not indicated except for electrolytics and tantalums.
- All resistors are in Ω and 1/4W or less unless otherwise specified.
- Δ : Internal component.
- **B+**: B+ Line.
- **B-**: B- Line.
- Voltages and waveforms are dc with respect to ground under no-signal (detuned) conditions.
- Voltages are taken with a VOM (Input impedance 10M Ω). Voltage variations may be noted due to normal production tolerances.
- Waveforms are taken with an oscilloscope. Voltage variations may be noted due to normal production tolerances.
- Circled numbers refer to waveforms.

3-5. PRINTED WIRING BOARD - DISPLAY SECTION -



• Semiconductor Location

Ref. No.	Location
D101	F-2
D102	F-2
D104	F-2
D111	B-4
IC101	F-1
IC111	B-2
IC151	C-3
Q101	F-2
Q102	F-2
Q103	F-2
Q111	A-3
Q112	A-4
Q131	F-4
Q132	F-4

Note:

- — : Parts extracted from the component side.
- - - - : Pattern on the side which is seen.

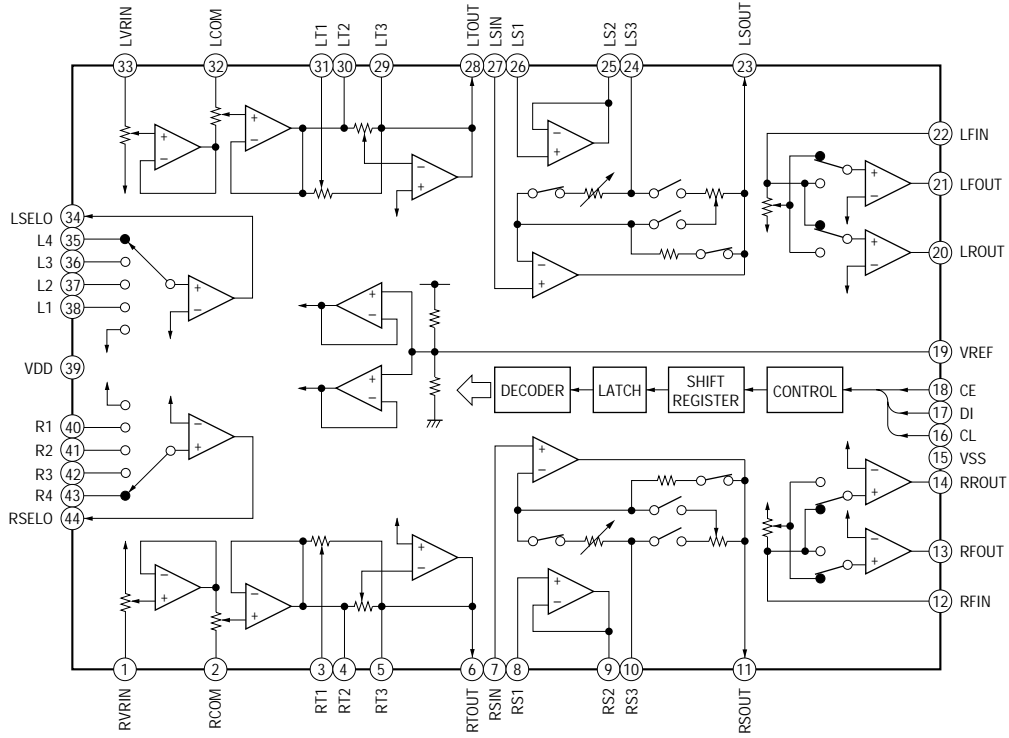
3-6. IC PIN FUNCTION

• IC151 (SYSTEM CONTROL) CXP82612-027Q

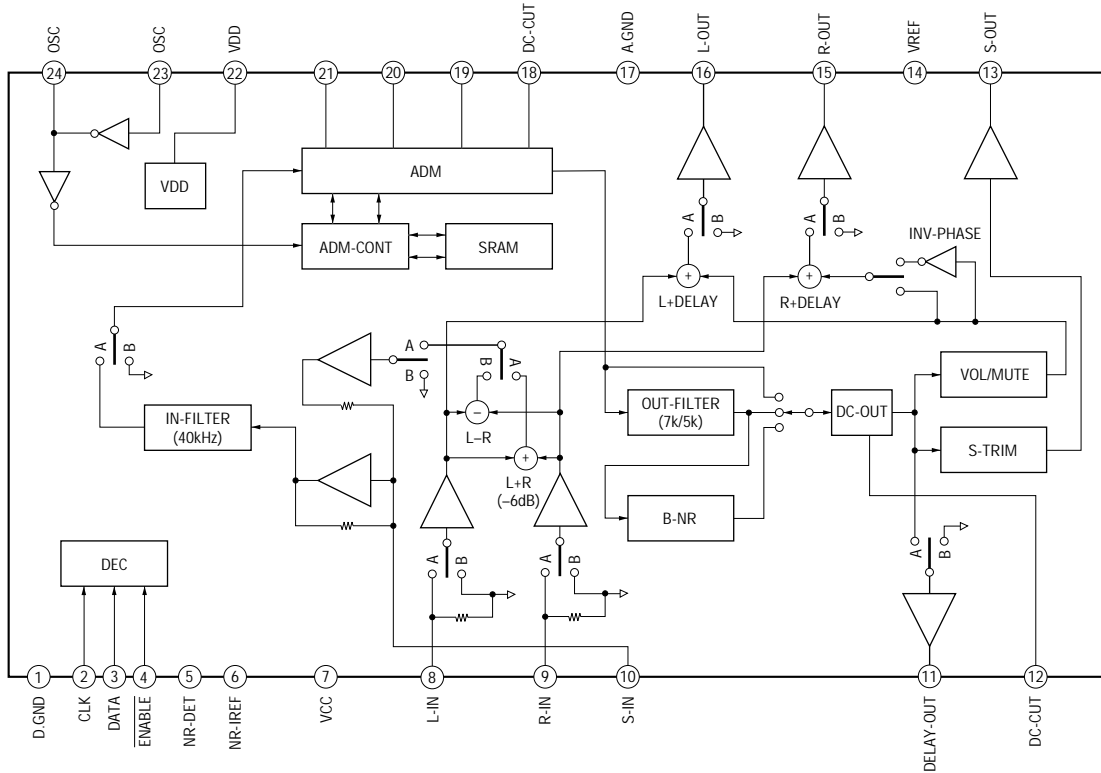
Pin No.	Pin Name	I/O	Description
1	STOP	I	STOP detection.
2	SIRCS	I	SIRCS.
3	N/C	—	Not used.
4	N/C	—	Not used.
5	N/C	—	Not used.
6	CE1	O	Chip enable for surround IC (LA2786, LV1016) control.
7	CE2	O	Chip enable for LR side volume IC (LC75373) control.
8	CLK	O	Clock.
9	CE3	O	Chip enable for CS side volume IC (LC75373) control.
10	DATA	O	Data out.
11	RS	O	Register select signal.
12	R/W	O	Read/Write select signal.
13	E	O	Read/Write startup signal.
14	DB0	O	Display data bus.
15	DB1	O	Display data bus.
16	DB2	O	Display data bus.
17	DB3	O	Display data bus.
18	DB4	O	Display data bus.
19	DB5	O	Display data bus.
20	DB6	O	Display data bus.
21	DB7	O	Display data bus.
22	KEY0	I	Key input.
23	KEY1	I	Key input.
24	MUTE LR	O	LR mute.
25	MUTE CEN	O	Center mute.
26	MUTE SUR	O	Surround mute.
27	MUTE SW	O	Sub-woofer mute.
28	STANDBY	O	Amplifier standby.
29	N/C	—	Not used.
30	RESET	I	Reset signal.
31	EXTAL	I	Oscillator.
32	XTAL	—	Oscillator.
33	V _{ss}	—	Ground.
34	LED (OPERATE)	O	LED (yellow/green) illumination.
35	LED (STANDBY)	O	LED (red) illumination.
36	B/L HIGH	O	Back-light (bright).
37	B/L LOW	O	Back-light (dim)
38 to 70	N/C	—	Not used.
71	GND	—	Not used.
72	V _{dd}	—	5V.
73	GND	I	Not used.
74	GND	I	Not used.
75	5V	—	5V.
76	N/C	—	Not used.
77	N/C	—	Not used.
78	N/C	—	Not used.
79	CNT EXT	I	External center speaker detection.
80	SUR EXT	I	External surround speaker detection.

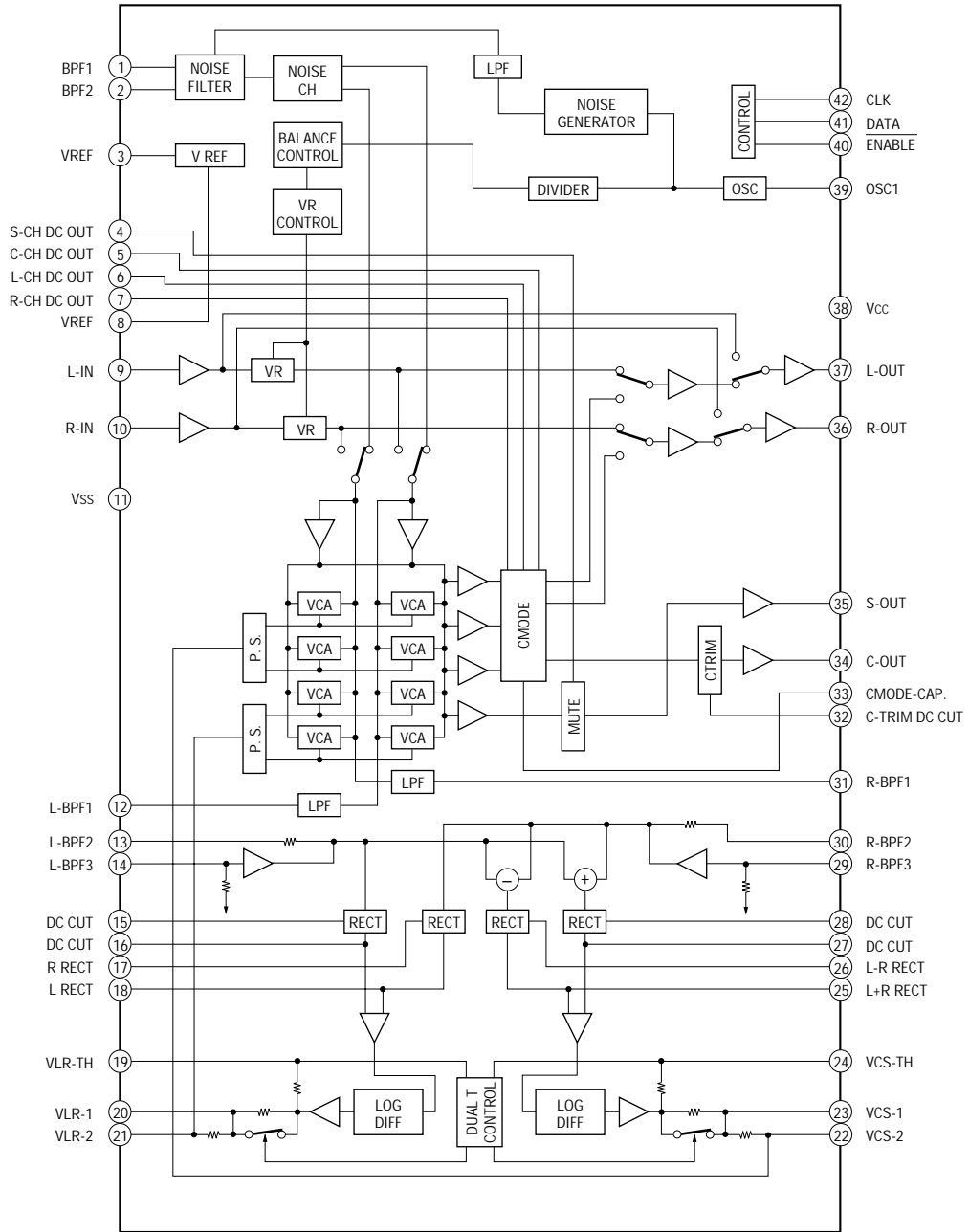
3-7. IC BLOCK DIAGRAMS

IC201 LC75373ED



IC351 LV1016





SECTION 4 EXPLODED VIEWS

Note:

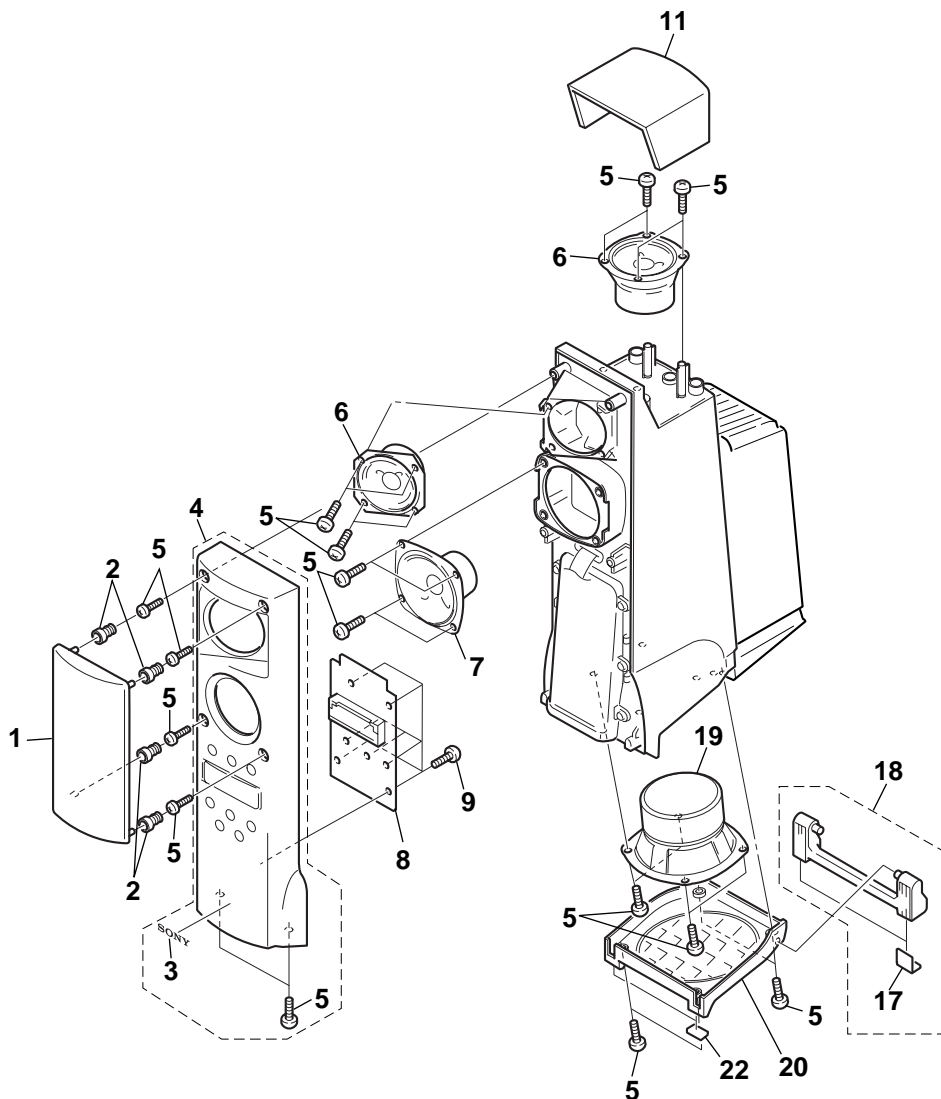
- -XX, -X mean standardized parts, so they may have some differences from the original one.
- Items marked "*" are not stocked since they are seldom required for routine service. Some delay should be anticipated when ordering these items.
- The mechanical parts with no reference number in the exploded views are not supplied.
- Hardware (# mark) list and accessories and packing materials are given in the last of this parts list.

- Color Indication of Appearance Parts Exemple :
 KNOB, BALANCE (WHITE) ... (RED)
 ↑ ↑
 Parts Color Cabinet's Color
- Abbreviation
 CND: Canadian model AUS : Australian model
 CH : Chinese model G : German model
 MY : Malaysia model SP : Singapore model

The components identified by mark \triangle or dotted line with mark \triangle are critical for safety. Replace only with part number specified.

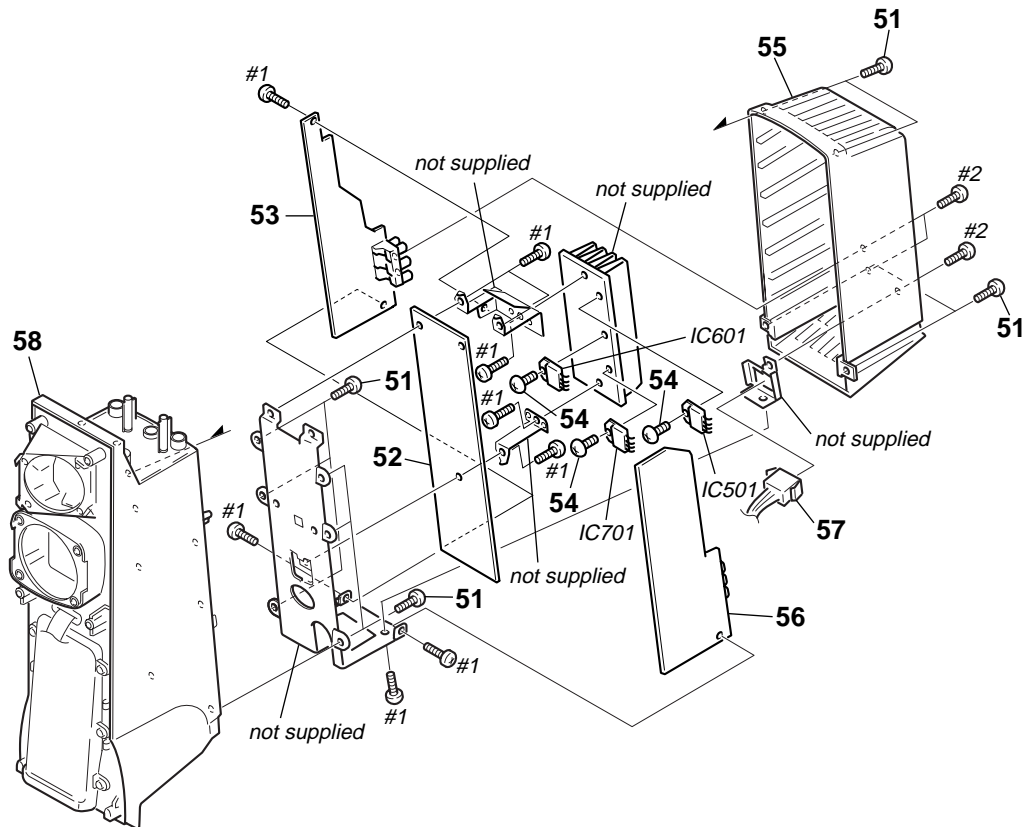
Les composants identifiés par une marque \triangle sont critiques pour la sécurité. Ne les remplacer que par une pièce portant le numéro spécifié.

4-1. SYSTEM (L) ASSY FRONT



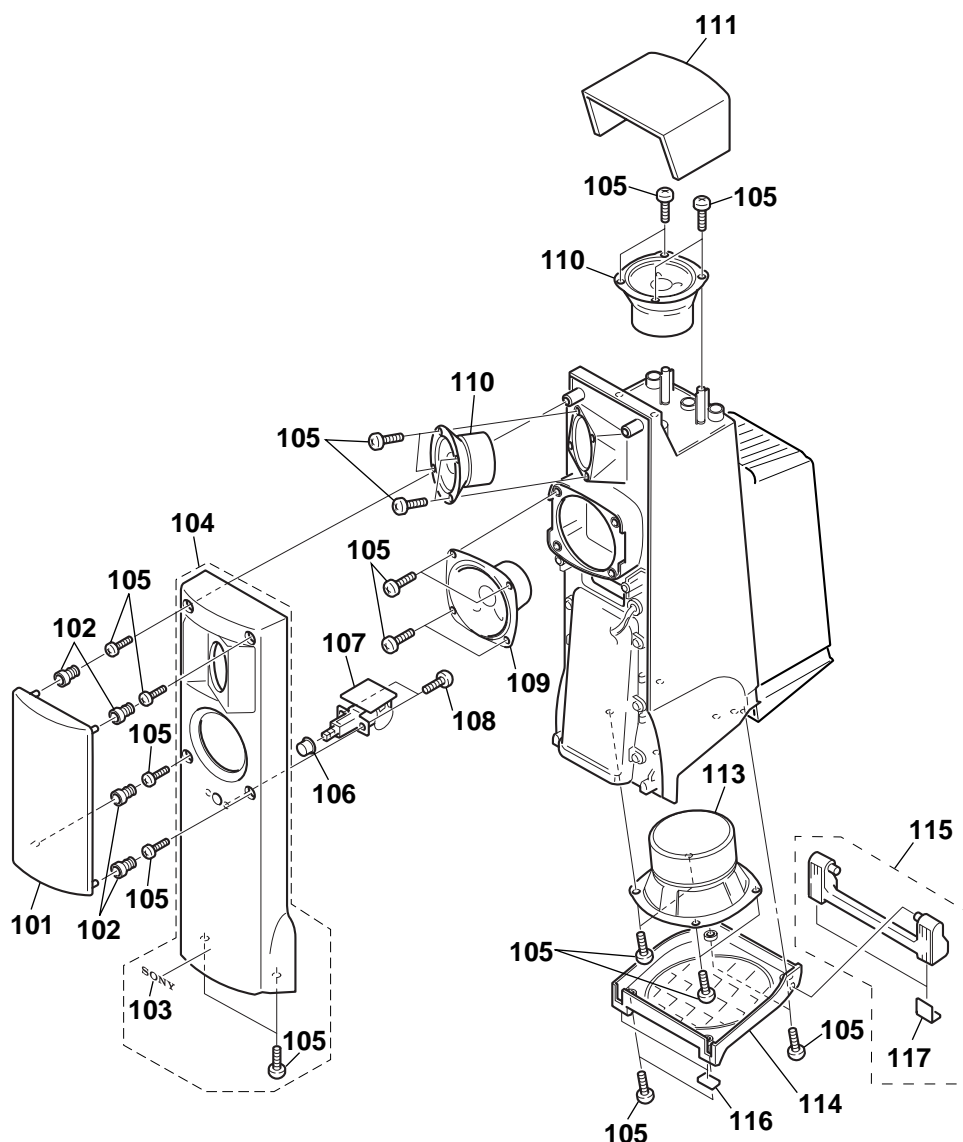
Ref. No.	Part No.	Description	Remarks	Ref. No.	Part No.	Description	Remarks
1	X-4948-545-1	FRAME ASSY, GRILLE (BLACK)		9	4-951-620-01	SCREW (2.6X8), +BVTP	
1	X-4948-672-1	FRAME ASSY, GRILLE (WHITE)		11	X-4948-544-1	GRILLE ASSY, TOP (BLACK)	
* 2	4-963-075-01	CATCHER		11	X-4948-671-1	GRILLE ASSY, TOP (WHITE)	
3	4-962-708-11	EMBLEM (4-A), SONY		17	4-991-688-01	FOOT (B)	
4	X-4948-540-1	PANEL (L) ASSY, FRONT (BLACK)		18	X-4948-726-1	STAND ASSY	
4	X-4948-669-1	PANEL (L) ASSY, FRONT (WHITE)		19	1-505-614-11	SPEAKER (10cm)	
5	4-874-614-31	SCREW (4) (3.5X12), TAPPING		20	4-990-200-01	GRILL, BOTTOM (BLACK)	
6	1-505-616-11	SPEAKER (7cm)		20	4-990-200-11	GRILL, BOTTOM (WHITE)	
7	1-505-615-11	SPEAKER (8cm)		22	4-991-687-01	FOOT(A)	
* 8	A-4398-639-A	DISPLAY BOARD, COMPLETE					

4-2. SYSTEM (L) ASSY BACK



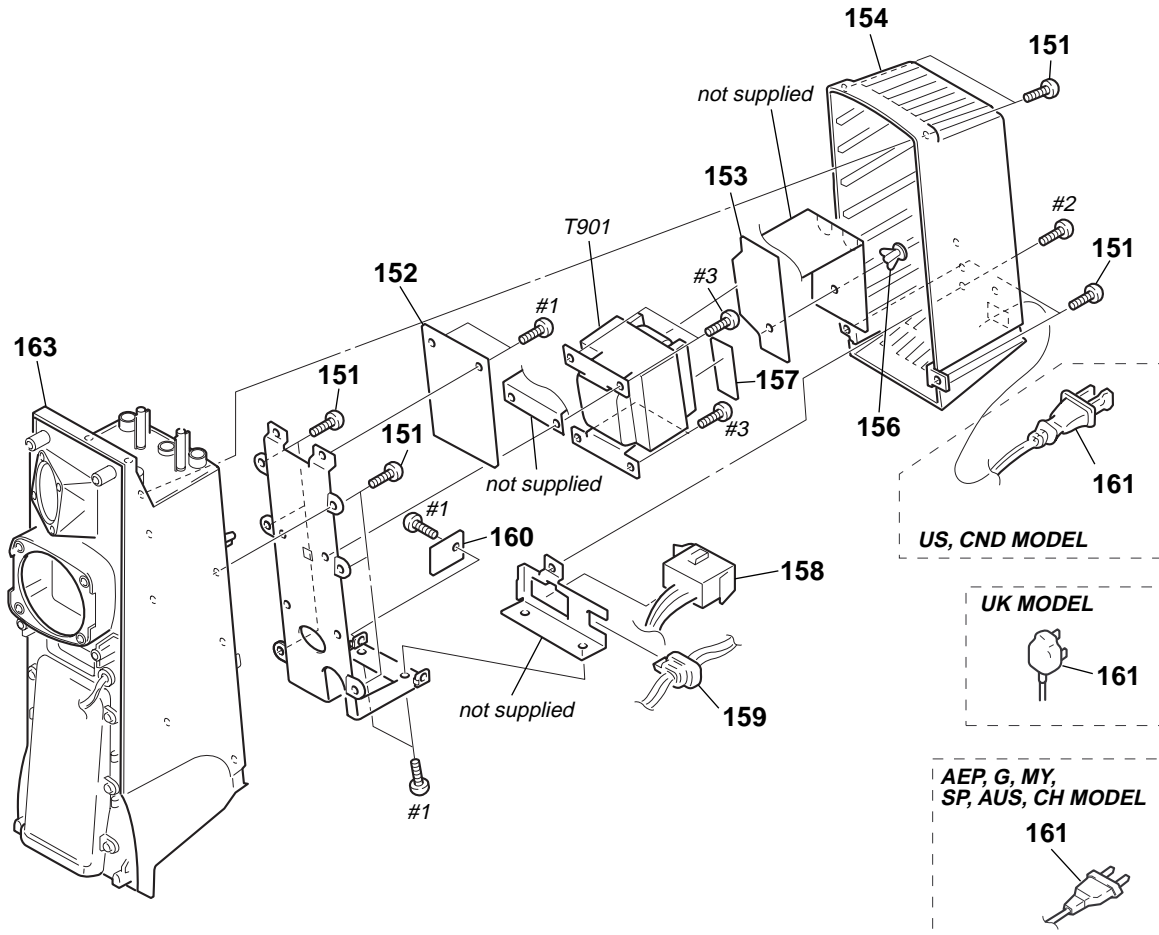
Ref. No.	Part No.	Description	Remarks	Ref. No.	Part No.	Description	Remarks
51	4-874-614-31	SCREW (4) (3.5X12), TAPPING		* 55	4-990-201-11	COVER (L), BACK (WHITE)	
* 52	A-4398-637-A	DOLBY BOARD, COMPLETE		* 56	A-4398-638-A	POWER BOARD, COMPLETE	
* 53	A-4398-636-A	VOLUME BOARD, COMPLETE		57	1-782-634-11	CORD (WITH CONNECOTR)	
54	3-905-609-01	SCREW (TRANSISTOR)		* 58	A-4384-548-A	CABINET (L) ASSY, SPEAKER (BLACK)	
* 55	4-990-201-01	COVER (L), BACK (BLACK)		* 58	A-4384-650-A	CABINET (L) ASSY, SPEAKER (WHITE)	

4-3. SYSTEM (R) ASSY FRONT



Ref. No.	Part No.	Description	Remarks	Ref. No.	Part No.	Description	Remarks
101	X-4948-545-1	FRAME ASSY, GRILLE (BLACK)		109	1-505-615-11	SPEAKER (8cm)	
101	X-4948-672-1	FRAME ASSY, GRILLE (WHITE)		110	1-505-616-11	SPEAKER (7cm)	
* 102	4-963-075-01	CATCHER		111	X-4948-544-1	GRILLE ASSY, TOP (BLACK)	
103	4-962-708-11	EMBLEM (4-A), SONY		111	X-4948-671-1	GRILLE ASSY, TOP (WHITE)	
104	X-4948-541-1	PANEL (R) ASSY, FRONT (BLACK)		113	1-505-614-11	SPEAKER (10cm)	
104	X-4948-670-1	PANEL (R) ASSY, FRONT (WHITE)		114	4-990-200-01	GRILLE, BOTTOM (BLACK)	
105	4-874-614-31	SCREW (4) (3.5X12), TAPPING		114	4-990-200-11	GRILLE, BOTTOM (WHITE)	
106	4-990-629-01	BUTTON (C) (BLACK)		115	X-4948-726-1	STAND ASSY	
106	4-990-629-11	BUTTON (C) (WHITE)		116	4-991-687-01	FOOT (A)	
* 107	1-666-153-11	SWITCH BOARD		117	4-991-688-01	FOOT (B)	
108	4-951-620-01	SCREW (2.6X8), +BVTP					

4-4. SYSTEM (R) ASSY BACK



Ref. No.	Part No.	Description	Remarks	Ref. No.	Part No.	Description	Remarks
151	4-874-614-31	SCREW (4) (3.5X12), TAPPING		* 160	1-666-150-11	CONNECTOR BOARD	
* 152	A-4398-640-A	PS BOARD, COMPLETE		△ 161	1-575-042-21	CORD, POWER (US,CND)	
* 153	1-666-151-11	T1 BOARD		△ 161	1-575-651-21	CORD, POWER (AEP,G,MY,SP,AUS,CH)	
* 154	4-990-202-01	COVER (R), BACK (BLACK)		△ 161	1-751-529-11	CORD, POWER (UK)	
* 154	4-990-202-11	COVER (R), BACK (WHITE)		* 163	A-4384-554-A	CABINET (R) ASSY, SPEAKER (BLACK)	
156	4-812-134-31	RIVET (DIA. 3.5), NYLON		* 163	A-4384-654-A	CABINET (R) ASSY, SPEAKER (WHITE)	
* 157	1-666-152-11	T2 BOARD		△ T901	1-431-310-11	TRANSFORMER, POWER (US,CND)	
158	1-782-635-11	CORD (WITH CONNECTOR)		△ T901	1-431-311-11	TRANSFORMER, POWER (EXCEPT US,CND)	
159	3-703-244-00	BUSHING (2104), CORD					

The components identified by mark \triangle or dotted line with mark \triangle are critical for safety. Replace only with part number specified.

Les composants identifiés par une marque \triangle sont critiques pour la sécurité. Ne les remplacer que par une pièce portant le numéro spécifié.

SECTION 5

ELECTRICAL PARTS LIST

CONNECTOR

DISPLAY

Note:

When indicating parts by reference number, please include the board name.

The components identified by mark Δ or dotted line with mark Δ are critical for safety. Replace only with part number specified.

Les composants identifiés par une marque Δ sont critiques pour la sécurité. Ne les remplacer que par une pièce portant le numéro spécifié.

- Abbreviation
 CND : Canadian model AUS : Australian model
 CH : Chinese model G : German model
 MY : Malaysia model SP : Singapore model

- Due to standardization, replacements in the parts list may be different from the parts specified in the diagrams or the components used on the set.
- -XX, -X mean standardized parts, so they may have some difference from the original one.
- Items marked "*" are not stocked since they are seldom required for routine service. Some delay should be anticipated when ordering these items.
- CAPACITORS:
 uF: μ F
- RESISTORS
 All resistors are in ohms.
 METAL: metal-film resistor
 METAL OXIDE: Metal Oxide-film resistor
 F: nonflammable
- COILS
 uH: μ H
- SEMICONDUCTORS
 In each case, u: μ , for example:
 uA...: μ A..., uPA..., μ PA...,
 uPB..., μ PB..., uPC..., μ PC...,
 uPD..., μ PD...

Ref. No.	Part No.	Description	Remarks	Ref. No.	Part No.	Description	Remarks
*	1-666-150-11	CONNECTOR BOARD ***** < CONNECTOR >				< TRANSISTOR >	
CN882	1-564-511-11	PLUG, CONNECTOR 8P *****		Q101	8-729-119-78	TRANSISTOR 2SC403SP-51	
				Q102	8-729-422-57	TRANSISTOR UN4111	
				Q103	8-729-900-80	TRANSISTOR DTC114ES	
				Q111	8-729-900-36	TRANSISTOR DTC124ES	
				Q112	8-729-900-36	TRANSISTOR DTC124ES	
*	A-4398-639-A	DISPLAY BOARD, COMPLETE ***** < CAPACITOR >		Q131	8-729-900-36	TRANSISTOR DTC124ES	
				Q132	8-729-900-36	TRANSISTOR DTC124ES	
						< RESISTOR >	
C101	1-164-159-11	CERAMIC 0.1uF	50V	R101	1-247-807-31	CARBON 100 5%	1/4W
C102	1-126-154-11	ELECT 47uF	20% 6.3V	R103	1-249-429-11	CARBON 10K 5%	1/4W
C103	1-104-905-11	CAPACITOR 0.22F	5.5V	R104	1-249-417-11	CARBON 1K 5%	1/4W F
C104	1-123-618-11	ELECT 22uF	20% 6.3V	R105	1-249-429-11	CARBON 10K 5%	1/4W
C105	1-126-301-11	ELECT 1uF	20% 50V	R106	1-249-429-11	CARBON 10K 5%	1/4W
C106	1-136-173-00	FILM 0.47uF	5% 50V	R111	1-249-409-11	CARBON 220 5%	1/4W F
C107	1-126-154-11	ELECT 47uF	20% 6.3V	R112	1-249-411-11	CARBON 330 5%	1/4W
C110	1-102-074-00	CERAMIC 0.001uF	10% 50V	R121	1-249-427-11	CARBON 6.8K 5%	1/4W F
C111	1-162-306-11	CERAMIC 0.01uF	20% 16V	R122	1-249-415-11	CARBON 680 5%	1/4W F
C131	1-164-159-11	CERAMIC 0.1uF	50V	R123	1-249-417-11	CARBON 1K 5%	1/4W F
C151	1-164-159-11	CERAMIC 0.1uF	50V	R124	1-249-419-11	CARBON 1.5K 5%	1/4W F
C152	1-164-159-11	CERAMIC 0.1uF	50V	R131	1-249-433-11	CARBON 22K 5%	1/4W
				R132	1-249-411-11	CARBON 330 5%	1/4W
				R135	1-249-404-00	CARBON 82 5%	1/4W F
				R136	1-249-401-11	CARBON 47 5%	1/4W F
* CN101	1-568-862-11	SOCKET, CONNECTOR 19P < DIODE >		R141	1-249-427-11	CARBON 6.8K 5%	1/4W F
				R142	1-249-415-11	CARBON 680 5%	1/4W F
D101	8-719-987-63	DIODE 1N4148M		R143	1-249-417-11	CARBON 1K 5%	1/4W F
D102	8-719-987-63	DIODE 1N4148M		R144	1-249-419-11	CARBON 1.5K 5%	1/4W F
D104	8-719-987-63	DIODE 1N4148M		R145	1-249-421-11	CARBON 2.2K 5%	1/4W F
D111	8-719-045-89	DIODE SML16760CN		R153	1-249-433-11	CARBON 22K 5%	1/4W
				R154	1-249-433-11	CARBON 22K 5%	1/4W
				R155	1-249-417-11	CARBON 1K 5%	1/4W F
				R156	1-249-417-11	CARBON 1K 5%	1/4W F
				R157	1-249-417-11	CARBON 1K 5%	1/4W F
IC101	8-759-165-81	IC PST600D-T		R158	1-249-417-11	CARBON 1K 5%	1/4W F
IC111	8-759-339-53	IC GP1U28XB (REMOTE SENSOR)		R159	1-249-417-11	CARBON 1K 5%	1/4W F
IC151	8-752-884-63	IC CXP82612-027Q		R160	1-249-417-11	CARBON 1K 5%	1/4W F
				R161	1-249-417-11	CARBON 1K 5%	1/4W F
				R162	1-249-417-11	CARBON 1K 5%	1/4W F
L101	1-410-521-11	INDUCTOR 100uH < LIQUID CRYSTAL DISPLAY >		R163	1-249-417-11	CARBON 1K 5%	1/4W F
				R164	1-249-417-11	CARBON 1K 5%	1/4W F
LCD101	1-801-750-11	DISPLAY PANEL, LIQUID CRYSTAL		R165	1-249-417-11	CARBON 1K 5%	1/4W F
				R166	1-249-417-11	CARBON 1K 5%	1/4W F
				R167	1-249-417-11	CARBON 1K 5%	1/4W F

Ref. No.	Part No.	Description	Remarks	Ref. No.	Part No.	Description	Remarks
R168	1-249-417-11	CARBON	1K 5% 1/4W F	C334	1-162-292-31	CERAMIC	680PF 10% 50V
R169	1-249-417-11	CARBON	1K 5% 1/4W F	C351	1-126-961-11	ELECT	2.2uF 20% 50V
R170	1-249-417-11	CARBON	1K 5% 1/4W F	C352	1-126-934-11	ELECT	220uF 20% 16V
R171	1-249-417-11	CARBON	1K 5% 1/4W F	C354	1-136-165-00	FILM	0.1uF 5% 50V
R177	1-249-417-11	CARBON	1K 5% 1/4W F	C355	1-124-252-00	ELECT	0.33uF 20% 50V
R178	1-249-417-11	CARBON	1K 5% 1/4W F	C356	1-126-923-11	ELECT	220uF 20% 10V
R179	1-249-417-11	CARBON	1K 5% 1/4W F	C357	1-126-960-11	ELECT	1uF 20% 50V
R180	1-247-807-31	CARBON	100 5% 1/4W	C358	1-126-960-11	ELECT	1uF 20% 50V
R191	1-249-433-11	CARBON	22K 5% 1/4W	C359	1-126-960-11	ELECT	1uF 20% 50V
R192	1-247-807-31	CARBON	100 5% 1/4W	C360	1-126-959-11	ELECT	0.47uF 20% 50V
R193	1-247-807-31	CARBON	100 5% 1/4W	C361	1-136-164-00	FILM	0.082uF 5% 50V
R194	1-249-433-11	CARBON	22K 5% 1/4W	C362	1-130-477-00	MYLAR	0.0033uF 5% 50V
R195	1-249-433-11	CARBON	22K 5% 1/4W	C363	1-136-164-00	FILM	0.082uF 5% 50V
R197	1-249-417-11	CARBON	1K 5% 1/4W F	C364	1-126-934-11	ELECT	220uF 20% 16V
		< SWITCH >		C366	1-162-294-31	CERAMIC	0.001uF 10% 50V
S121	1-762-751-11	SWITCH, TACTILE (POWER)		C401	1-126-940-11	ELECT	330uF 20% 25V
S122	1-762-751-11	SWITCH, TACTILE (CENTER MODE)		C402	1-126-933-11	ELECT	100uF 20% 16V
S141	1-762-751-11	SWITCH, TACTILE (SURROUND)		C403	1-126-940-11	ELECT	330uF 20% 25V
S142	1-762-751-11	SWITCH, TACTILE (LEVEL -)		C404	1-126-933-11	ELECT	100uF 20% 16V
S143	1-762-751-11	SWITCH, TACTILE (SELECT)		C405	1-104-664-11	ELECT	47uF 20% 25V
S144	1-762-751-11	SWITCH, TACTILE (LEVEL +)		C406	1-126-964-11	ELECT	10uF 20% 50V
S145	1-762-751-11	SWITCH, TACTILE (IN PUT)		C451	1-162-294-31	CERAMIC	0.001uF 10% 50V
		< VIBRATOR >		C453	1-162-294-31	CERAMIC	0.001uF 10% 50V
X151	1-579-125-11	VIBRATOR, CERAMIC 5MHz		C454	1-162-294-31	CERAMIC	0.001uF 10% 50V
*****				< CONNECTOR >			
* A-4398-637-A	DOLBY BOARD, COMPLETE			* CN401	1-568-824-11	SOCKET, CONNECTOR 5P	
*****				* CN404	1-568-856-11	SOCKET, CONNECTOR 13P	
		< CAPACITOR >		< DIODE >			
C301	1-136-157-00	FILM	0.022uF 5% 50V	D401	8-719-024-99	DIODE	11ES2-NTA2B
C302	1-136-161-00	FILM	0.047uF 5% 50V	D402	8-719-987-63	DIODE	1N4148M
C303	1-126-923-11	ELECT	220uF 20% 10V	D403	8-719-987-63	DIODE	1N4148M
C304	1-126-964-11	ELECT	10uF 20% 50V	D456	8-719-987-63	DIODE	1N4148M
C305	1-126-964-11	ELECT	10uF 20% 50V	D457	8-719-987-63	DIODE	1N4148M
C306	1-126-964-11	ELECT	10uF 20% 50V	D458	8-719-987-63	DIODE	1N4148M
C307	1-126-964-11	ELECT	10uF 20% 50V	D459	8-719-987-63	DIODE	1N4148M
C308	1-126-923-11	ELECT	220uF 20% 10V	D460	8-719-946-29	DIODE	1SS198TA
C311	1-164-159-11	CERAMIC	0.1uF 50V	D551	8-719-987-63	DIODE	1N4148M
C312	1-164-159-11	CERAMIC	0.1uF 50V	D651	8-719-987-63	DIODE	1N4148M
C313	1-126-959-11	ELECT	0.47uF 20% 50V	D652	8-719-987-63	DIODE	1N4148M
C314	1-126-963-11	ELECT	4.7uF 20% 50V	D760	8-719-987-63	DIODE	1N4148M
C315	1-126-959-11	ELECT	0.47uF 20% 50V	< IC >			
C316	1-126-963-11	ELECT	4.7uF 20% 50V	IC301	8-759-442-96	IC	LA2786
C317	1-136-167-00	FILM	0.15uF 5% 50V	IC351	8-759-442-97	IC	LV1016
C318	1-126-962-11	ELECT	3.3uF 20% 50V	IC401	8-759-701-59	IC	NJM78M09FA
C319	1-136-167-00	FILM	0.15uF 5% 50V	IC402	8-759-158-62	IC	TA78057S
C320	1-136-167-00	FILM	0.15uF 5% 50V	IC403	8-759-701-59	IC	NJM78M09FA
C321	1-126-962-11	ELECT	3.3uF 20% 50V	< COIL >			
C322	1-136-167-00	FILM	0.15uF 5% 50V	L301	1-410-509-11	INDUCTOR	10uH
C323	1-126-963-11	ELECT	4.7uF 20% 50V	L351	1-410-509-11	INDUCTOR	10uH
C324	1-126-959-11	ELECT	0.47uF 20% 50V	< RESISTOR >			
C325	1-126-963-11	ELECT	4.7uF 20% 50V	R351	1-249-417-11	CARBON	1K 5% 1/4W
C326	1-126-959-11	ELECT	0.47uF 20% 50V	R352	1-249-417-11	CARBON	1K 5% 1/4W
C327	1-164-159-11	CERAMIC	0.1uF 50V	R353	1-249-417-11	CARBON	1K 5% 1/4W
C328	1-164-159-11	CERAMIC	0.1uF 50V	R354	1-249-436-11	CARBON	39K 5% 1/4W
C329	1-104-664-11	ELECT	47uF 20% 25V	R355	1-249-431-11	CARBON	15K 5% 1/4W
C330	1-136-173-00	FILM	0.47uF 5% 50V				
C331	1-126-960-11	ELECT	1uF 20% 50V				
C333	1-126-934-11	ELECT	220uF 20% 16V				

DOLBY

POWER

Ref. No.	Part No.	Description	Remarks
R356	1-249-439-11	CARBON 68K	5% 1/4W
R357	1-247-903-00	CARBON 1M	5% 1/4W
R451	1-247-807-31	CARBON 100	5% 1/4W
R452	1-247-807-31	CARBON 100	5% 1/4W
R453	1-247-807-31	CARBON 100	5% 1/4W
R454	1-247-807-31	CARBON 100	5% 1/4W
R455	1-247-807-31	CARBON 100	5% 1/4W
R456	1-247-807-31	CARBON 100	5% 1/4W
R457	1-247-807-31	CARBON 100	5% 1/4W
R458	1-247-807-31	CARBON 100	5% 1/4W
R459	1-247-807-31	CARBON 100	5% 1/4W
R460	1-247-807-31	CARBON 100	5% 1/4W
R461	1-247-807-31	CARBON 100	5% 1/4W
R462	1-247-807-31	CARBON 100	5% 1/4W
R463	1-247-807-31	CARBON 100	5% 1/4W
R509	1-249-417-11	CARBON 1K	5% 1/4W F
R510	1-249-417-11	CARBON 1K	5% 1/4W F
R551	1-249-429-11	CARBON 10K	5% 1/4W
R609	1-249-417-11	CARBON 1K	5% 1/4W F
R610	1-249-417-11	CARBON 1K	5% 1/4W F
R651	1-249-429-11	CARBON 10K	5% 1/4W
R652	1-249-429-11	CARBON 10K	5% 1/4W
R707	1-249-417-11	CARBON 1K	5% 1/4W F
R751	1-249-421-11	CARBON 2.2K	5% 1/4W F
R752	1-249-429-11	CARBON 10K	5% 1/4W
R753	1-249-429-11	CARBON 10K	5% 1/4W
R754	1-249-429-11	CARBON 10K	5% 1/4W
R755	1-249-429-11	CARBON 10K	5% 1/4W
R756	1-249-425-11	CARBON 4.7K	5% 1/4W F
R760	1-249-429-11	CARBON 10K	5% 1/4W
R761	1-249-421-11	CARBON 2.2K	5% 1/4W
< VIBRATOR >			
X351	1-579-125-11	VIBRATOR, CERAMIC 8MHZ	

*	A-4398-638-A	POWER BOARD, COMPLETE	

< CAPACITOR >			
C501	1-126-947-11	ELECT 47uF	20% 35V
C502	1-126-947-11	ELECT 47uF	20% 35V
C503	1-104-664-11	ELECT 47uF	20% 25V
C505	1-104-664-11	ELECT 47uF	20% 25V
C507	1-136-165-00	FILM 0.1uF	5% 50V
C508	1-136-165-00	FILM 0.1uF	5% 50V
C509	1-162-294-31	CERAMIC 0.001uF	10% 50V
C510	1-162-294-31	CERAMIC 0.001uF	10% 50V
C511	1-162-207-31	CERAMIC 22PF	5% 50V
C512	1-162-207-31	CERAMIC 22PF	5% 50V
C513	1-162-215-31	CERAMIC 47PF	5% 50V
C514	1-162-215-31	CERAMIC 47PF	5% 50V
C551	1-136-173-00	ELECT 0.47F	5% 50V
C601	1-126-947-11	ELECT 47uF	20% 35V
C602	1-126-947-11	ELECT 47uF	20% 35V
C603	1-104-664-11	ELECT 47uF	20% 25V
C605	1-104-664-11	ELECT 47uF	20% 25V
C607	1-136-165-00	FILM 0.1uF	5% 50V
C608	1-136-165-00	FILM 0.1uF	5% 50V
C609	1-162-294-31	CERAMIC 0.001uF	10% 50V

Ref. No.	Part No.	Description	Remarks
C610	1-162-294-31	CERAMIC 0.001uF	10% 50V
C611	1-162-207-31	CERAMIC 22PF	5% 50V
C612	1-162-207-31	CERAMIC 22PF	5% 50V
C614	1-162-294-31	CERAMIC 0.001uF	10% 50V
C651	1-136-173-00	ELECT 0.47F	5% 50V
C652	1-136-173-00	ELECT 0.47F	5% 50V
C701	1-126-933-11	ELECT 100uF	20% 35V
C702	1-126-933-11	ELECT 100uF	20% 35V
C704	1-162-282-31	CERAMIC 100PF	10% 50V
C705	1-126-964-11	ELECT 10uF	20% 50V
C706	1-104-664-11	ELECT 47uF	20% 25V
C707	1-104-664-11	ELECT 47uF	20% 25V
C708	1-162-294-31	CERAMIC 0.001uF	10% 50V
C709	1-162-207-31	CERAMIC 22PF	5% 50V
C710	1-136-165-00	FILM 0.1uF	5% 50V
C711	1-136-165-00	FILM 0.1uF	5% 50V
C712	1-162-294-31	CERAMIC 0.001uF	10% 50V
C713	1-162-282-31	CERAMIC 100PF	10% 50V
C751	1-126-940-11	ELECT 330uF	20% 25V
C760	1-136-173-00	ELECT 0.47F	5% 50V
C801	1-126-955-11	ELECT 4700uF	20% 35V
C802	1-126-955-11	ELECT 4700uF	20% 35V
< CONNECTOR >			
CN802	1-564-511-11	PLUG, CONNECTOR 8P	
< DIODE >			
D701	8-719-987-63	DIODE 1N4148M	
D702	8-719-987-63	DIODE 1N4148M	
D751	8-719-987-63	DIODE 1N4148M	
D752	8-719-010-37	DIODE UZ-5.1BSA-TP	
< IC >			
IC501	8-759-333-24	IC LM1876TF	
IC601	8-759-333-24	IC LM1876TF	
IC701	8-759-333-24	IC LM1876TF	
< JACK >			
J801	1-779-392-11	JACK (SMALL TYPE) (EXT CENTER SP IMP 8Ω)	
J802	1-779-392-11	JACK (SMALL TYPE) (EXT SUR SP IMP 8Ω)	
J803	1-778-689-11	JACK (SMALL TYPE) (EXT SUR SP IMP 8Ω)	
< RESISTOR >			
R501	1-249-433-11	CARBON 22K	5% 1/4W
R502	1-249-433-11	CARBON 22K	5% 1/4W
R503	1-249-417-11	CARBON 1K	5% 1/4W F
R504	1-249-433-11	CARBON 22K	5% 1/4W
R505	1-249-417-11	CARBON 1K	5% 1/4W F
R506	1-249-433-11	CARBON 22K	5% 1/4W
△R507	1-249-389-11	CARBON 4.7	5% 1/4W F
△R508	1-249-389-11	CARBON 4.7	5% 1/4W F
R601	1-249-433-11	CARBON 22K	5% 1/4W
R602	1-249-433-11	CARBON 22K	5% 1/4W
R603	1-249-413-11	CARBON 470	5% 1/4W F
R604	1-249-433-11	CARBON 22K	5% 1/4W
R605	1-247-826-00	CARBON 620	5% 1/4W
R606	1-249-433-11	CARBON 22K	5% 1/4W
△R607	1-249-389-11	CARBON 4.7	5% 1/4W F

The components identified by mark △ or dotted line with mark △ are critical for safety. Replace only with part number specified.	Les composants identifiés par une marque △ sont critiques pour la sécurité. Ne les remplacer que par une pièce portant le numéro spécifié.
--	--

VOLUME

Ref. No.	Part No.	Description	Remarks
C216	1-126-964-11	ELECT	10uF 20% 50V
C217	1-130-477-00	MYLAR	0.0033uF 5% 50V
C218	1-130-481-00	MYLAR	0.0068uF 5% 50V
C219	1-136-165-00	FILM	0.1uF 5% 50V
C220	1-136-165-00	FILM	0.1uF 5% 50V
C221	1-126-960-11	ELECT	1uF 20% 50V
C222	1-126-960-11	ELECT	1uF 20% 50V
C223	1-136-169-00	FILM	0.22uF 5% 50V
C224	1-126-960-11	ELECT	1uF 20% 50V
C226	1-128-551-11	ELECT	22uF 20% 25V
C228	1-126-960-11	ELECT	1uF 20% 50V
C231	1-126-960-11	ELECT	1uF 20% 50V
C232	1-126-960-11	ELECT	1uF 20% 50V
C251	1-126-933-11	ELECT	100uF 20% 16V
C252	1-126-964-11	ELECT	10uF 20% 50V
C253	1-130-477-00	MYLAR	0.0033uF 5% 50V
C254	1-136-153-00	FILM	0.01uF 5% 50V
C255	1-136-165-00	FILM	0.1uF 5% 50V
C256	1-126-960-11	ELECT	1uF 20% 50V
C257	1-126-960-11	ELECT	1uF 20% 50V
C258	1-126-964-11	ELECT	10uF 20% 50V
C259	1-130-477-00	MYLAR	0.0033uF 5% 50V
C260	1-136-153-00	FILM	0.01uF 5% 50V
C261	1-136-165-00	FILM	0.1uF 5% 50V
C262	1-126-960-11	ELECT	1uF 20% 50V
C263	1-126-960-11	ELECT	1uF 20% 50V
C264	1-126-960-11	ELECT	1uF 20% 50V
C266	1-128-551-11	ELECT	22uF 20% 25V
C268	1-126-960-11	ELECT	1uF 20% 50V
C281	1-162-294-31	CERAMIC	0.001uF 10% 50V
C282	1-162-294-31	CERAMIC	0.001uF 10% 50V
C283	1-126-960-11	ELECT	1uF 20% 50V
C284	1-126-960-11	ELECT	1uF 20% 50V
C285	1-126-964-11	ELECT	10uF 20% 50V
C286	1-126-964-11	ELECT	10uF 20% 50V
C291	1-162-294-31	CERAMIC	0.001uF 10% 50V
C292	1-162-294-31	CERAMIC	0.001uF 10% 50V
C293	1-126-960-11	ELECT	1uF 20% 50V
C294	1-126-960-11	ELECT	1uF 20% 50V
< IC >			
IC201	8-759-443-67	IC LC75373ED	
IC251	8-759-443-67	IC LC75373ED	
IC281	8-759-636-55	IC M5218AFP	
IC291	8-759-636-55	IC M5218AFP	
< JACK >			
J281	1-779-688-11	JACK, PIN 6P (1 IN,1 OUT,2 IN)	
< RESISTOR >			
R201	1-247-843-11	CARBON	3.3K 5% 1/4W
R202	1-249-428-11	CARBON	8.2K 5% 1/4W F
R203	1-249-428-11	CARBON	8.2K 5% 1/4W F
R251	1-249-428-11	CARBON	8.2K 5% 1/4W F
R252	1-249-428-11	CARBON	8.2K 5% 1/4W F

Ref. No.	Part No.	Description	Remarks
R281	1-249-433-11	CARBON	22K 5% 1/4W
R282	1-249-433-11	CARBON	22K 5% 1/4W
R283	1-249-433-11	CARBON	22K 5% 1/4W
R284	1-249-433-11	CARBON	22K 5% 1/4W
R285	1-249-433-11	CARBON	22K 5% 1/4W
R286	1-249-433-11	CARBON	22K 5% 1/4W
R287	1-249-433-11	CARBON	22K 5% 1/4W
R291	1-249-433-11	CARBON	22K 5% 1/4W
R292	1-249-433-11	CARBON	22K 5% 1/4W
R293	1-249-433-11	CARBON	22K 5% 1/4W
R294	1-249-433-11	CARBON	22K 5% 1/4W
R295	1-249-433-11	CARBON	22K 5% 1/4W
R296	1-249-433-11	CARBON	22K 5% 1/4W
R297	1-249-433-11	CARBON	22K 5% 1/4W

MISCELLANEOUS			

6	1-505-616-11	SPEAKER (7cm)	
7	1-505-615-11	SPEAKER (8cm)	
19	1-505-614-11	SPEAKER (10cm)	
57	1-782-634-11	CORD (WITH CONNECTOR)	
109	1-505-615-11	SPEAKER (8cm)	
110	1-505-616-11	SPEAKER (7cm)	
113	1-505-614-11	SPEAKER (10cm)	
△ 161	1-575-042-21	CORD, POWER (US,CND)	
△ 161	1-575-651-21	CORD, POWER (AEP,G,MY,SP,AUS,CH)	
△ 161	1-751-529-11	CORD, POWER (UK)	
△ T901	1-431-310-11	TRANSFORMER, POWER (US,CND)	
△ T901	1-431-311-11	TRANSFORMER, POWER (EXCEPT US,CND)	

ACCESSORIES & PACKING MATERIALS			

1-475-230-11	REMOTE COMMANDER (RM-J7)		
1-558-787-81	CORD, CONNECTION		
1-782-337-11	CORD (WITH CONNECTOR)		
3-860-461-11	MANUAL, INSTRUCTION (ENGLISH/FRENCH)		
3-860-461-21	MANUAL, INSTRUCTION		
	(GERMAN/DUTCH/SWEDISH)(AEP,G)		
3-860-461-31	MANUAL, INSTRUCTION		
	(SPANISH/ITALIAN/PORTUGUESE) (AEP,E,SP)		
4-981-643-11	COVER, BATTERY (For RM-J7)		

HARDWARE LIST			

#1	7-685-646-79	SCREW +BVTP	3X8 TYPE2 N-S
#2	7-685-648-79	SCREW +BVTP	3X12 TYPE2 N-S
#3	7-685-881-09	SCREW +BVTT	4X8 (S)

The components identified by mark △ or dotted line with mark △ are critical for safety. Replace only with part number specified.	Les composants identifiés par une marque △ sont critiques pour la sécurité. Ne les remplacer que par une pièce portant le numéro spécifié.
--	--