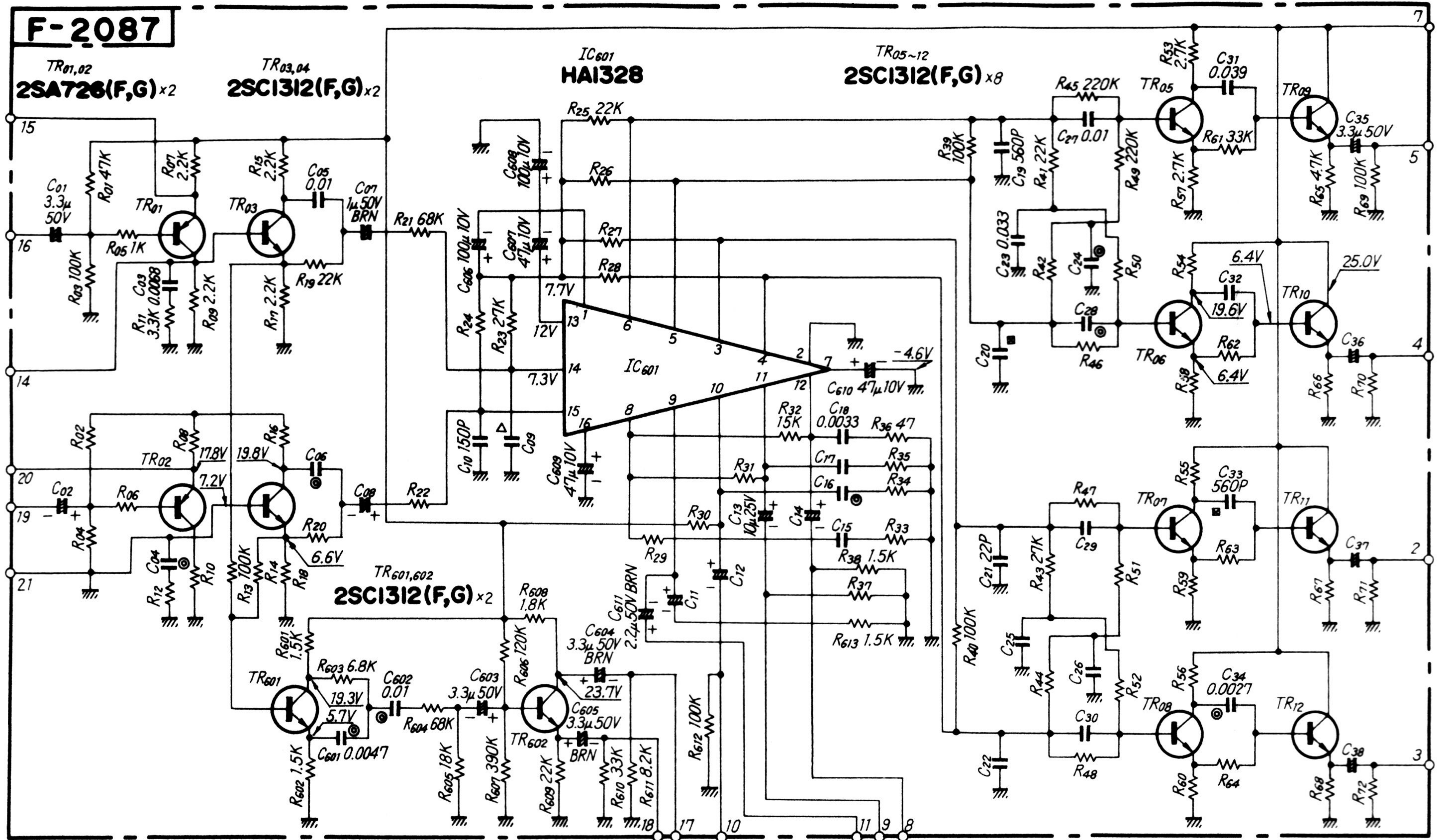


SANSUI QRX-9001 SCHEMATIC DIAGRAM

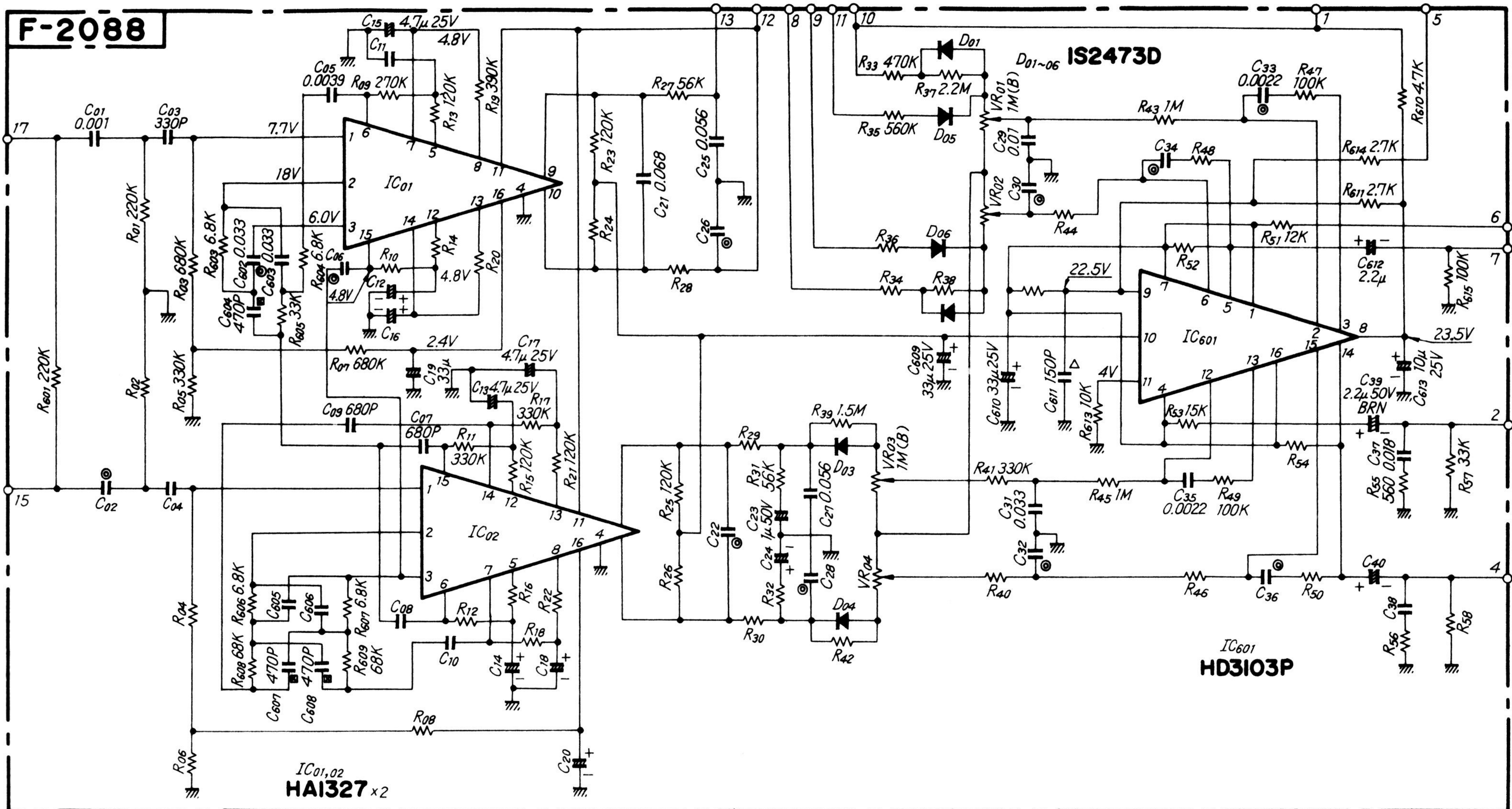


SANSUI ELECTRIC CO., LTD.

F-2087



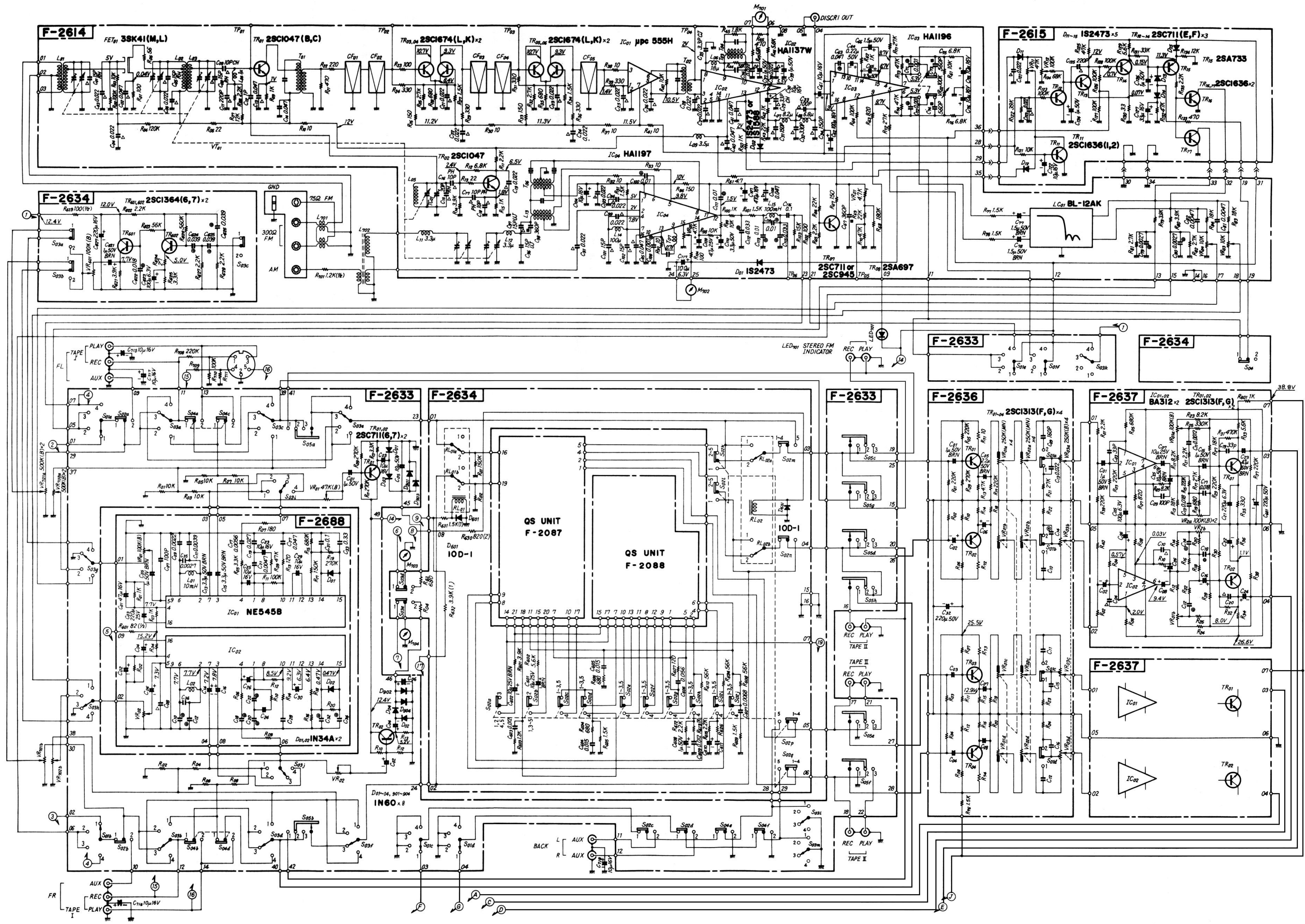
F-2088



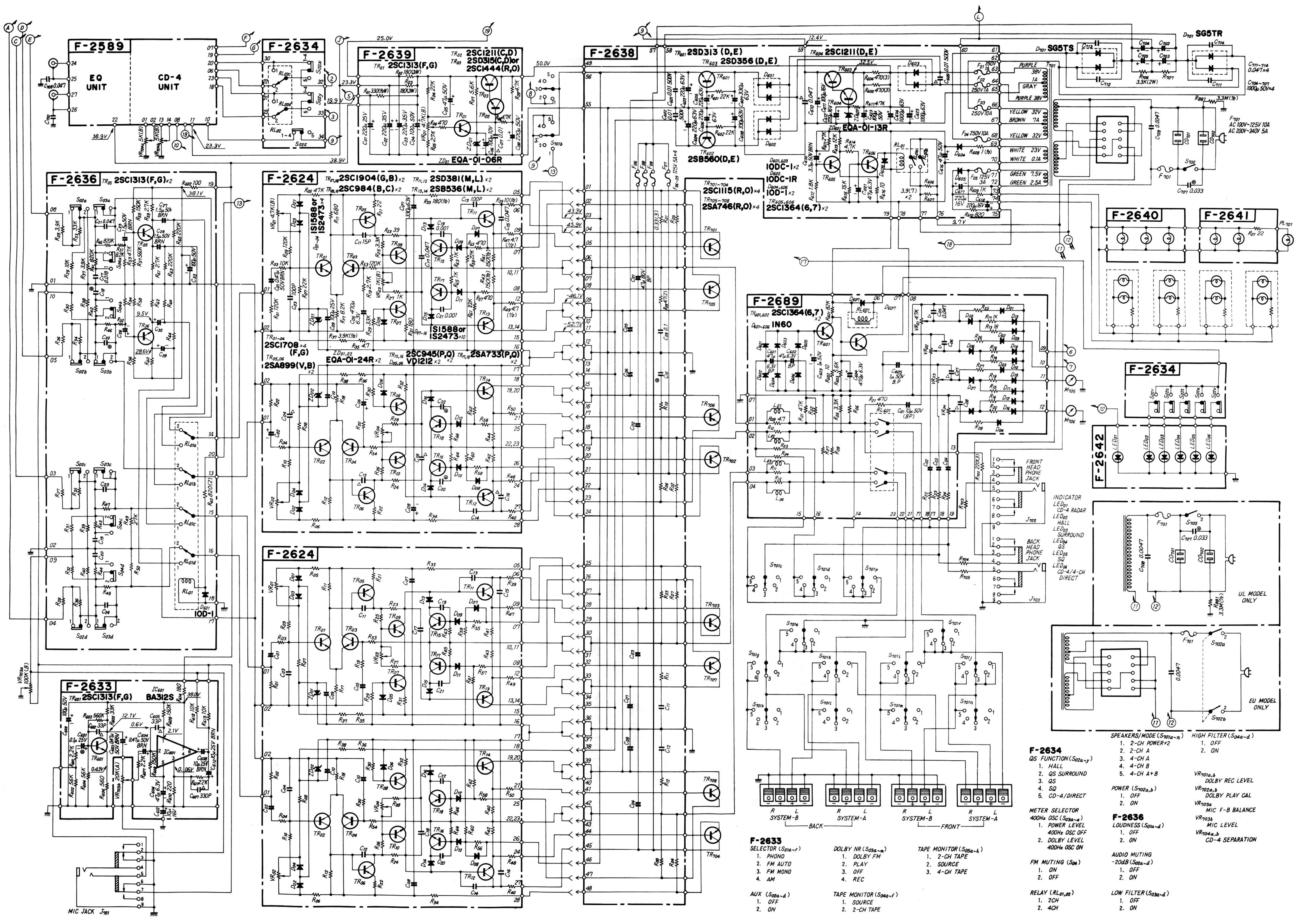
IC01,02
HA1327 x2

IS2473D

IC601
HD3103P



• Design and specifications subject to change without notice for improvements.
 • La présentation et les spécifications sont susceptibles d'être modifiées sans préavis par suites d'améliorations éventuelles.
 • Änderungen, die dem technischen Fortschritt dienen, bleiben vorbehalten.



- F-2633**
 SELECTOR (S01a-f)
 1. PHONO
 2. FM AUTO
 3. FM MONO
 4. AM
- DOLBY NR (S03a-m)**
 1. DOLBY FM
 2. PLAY
 3. OFF
 4. REC
- AUX (S02a-d)**
 1. OFF
 2. ON
- TAPE MONITOR (S05a-f)**
 1. SOURCE
 2. 2-CH TAPE

- F-2634**
 QS FUNCTION (S02a-y)
 1. HALL
 2. QS SURROUND
 3. QS
 4. SQ
 5. CD-4/DIRECT
- METER SELECTOR**
 400Hz OSC (S03a-d)
 1. POWER LEVEL
 400Hz OSC OFF
 2. DOLBY LEVEL
 400Hz OSC ON
- FM MUTING (S06)**
 1. OFF
 2. ON
- RELAY (RL01,02)**
 1. 2CH
 2. ON

- F-2636**
 LOUDNESS (S01a-d)
 1. OFF
 2. ON
- AUDIO MUTING**
 -20dB (S02a-d)
 1. OFF
 2. ON
- LOW FILTER (S03a-d)**
 1. OFF
 2. ON

- SPEAKERS/MODE (S701-n)**
 1. 2-CH POWER*2
 2. 2-CH A
 3. 4-CH A
 4. 4-CH B
 5. 4-CH A+B
- HIGH FILTER (S04a-d)**
 1. OFF
 2. ON
- INDICATOR**
 LED01 CD-4 RADAR
 LED02 HALL
 LED03 SURROUND
 LED04 QS
 LED05 SQ
 LED06 CD-4/4-CH DIRECT
- UL MODEL ONLY**
 VR701a,b DOLBY REC LEVEL
 VR702a,b DOLBY PLAY CAL
 VR703a MIC F-B BALANCE
 VR703b MIC LEVEL
 VR704a,b CD-4 SEPARATION