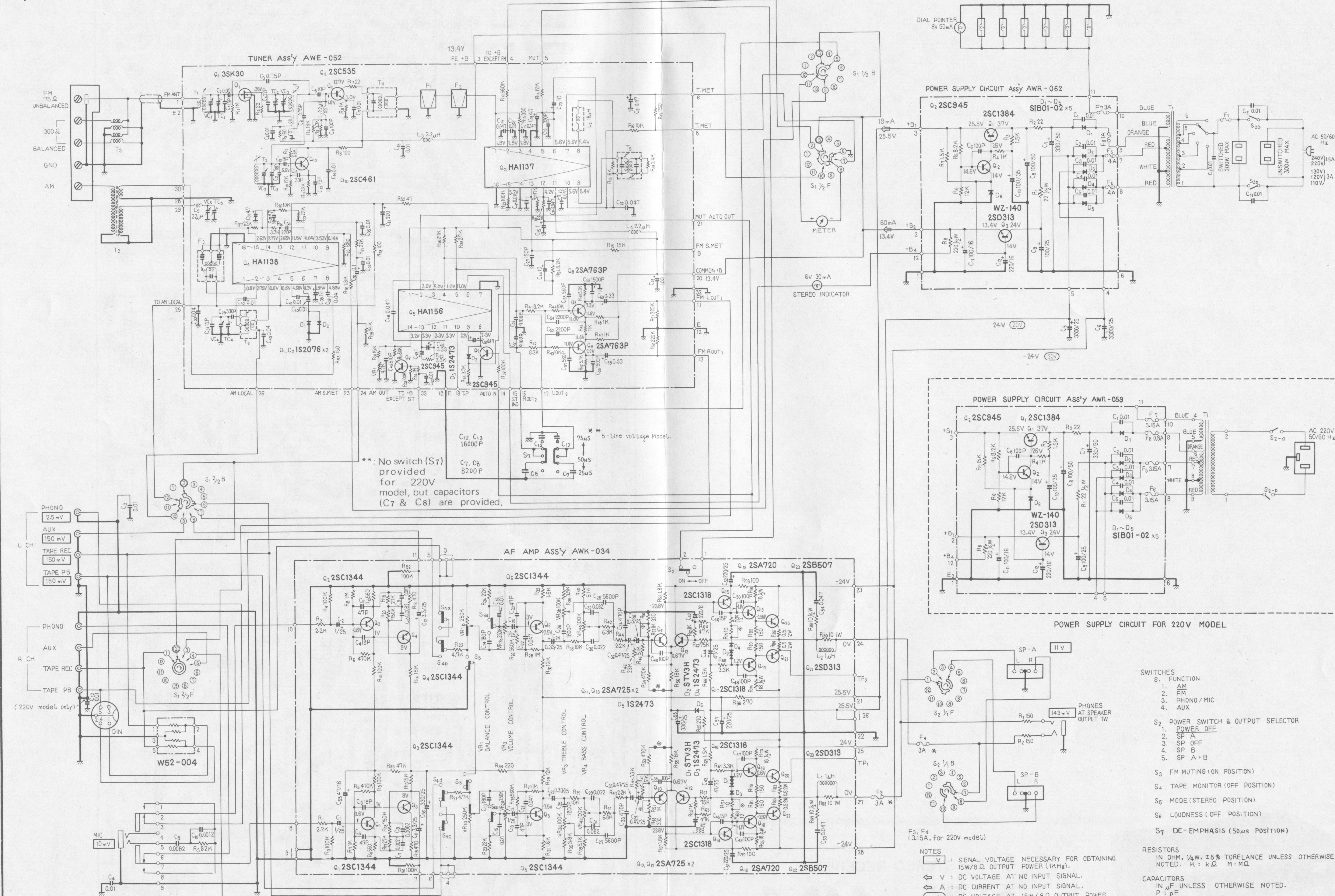


- SWITCHES**
- S<sub>1</sub> FUNCTION**
1. AM
  2. FM
  3. PHONO/MIC
  4. AUX
- S<sub>2</sub> POWER SWITCH & OUTPUT SELECTOR**
1. POWER OFF
  2. SP A
  3. SP OFF
  4. SP B
  5. SP A+B
- S<sub>3</sub> FM MUTING (ON POSITION)**
- S<sub>4</sub> TAPE MONITOR (OFF POSITION)**
- S<sub>5</sub> MODE (STEREO POSITION)**
- S<sub>6</sub> LOUDNESS (OFF POSITION)**
- S<sub>7</sub> DE-EMPHASSIS (75μs POSITION)**

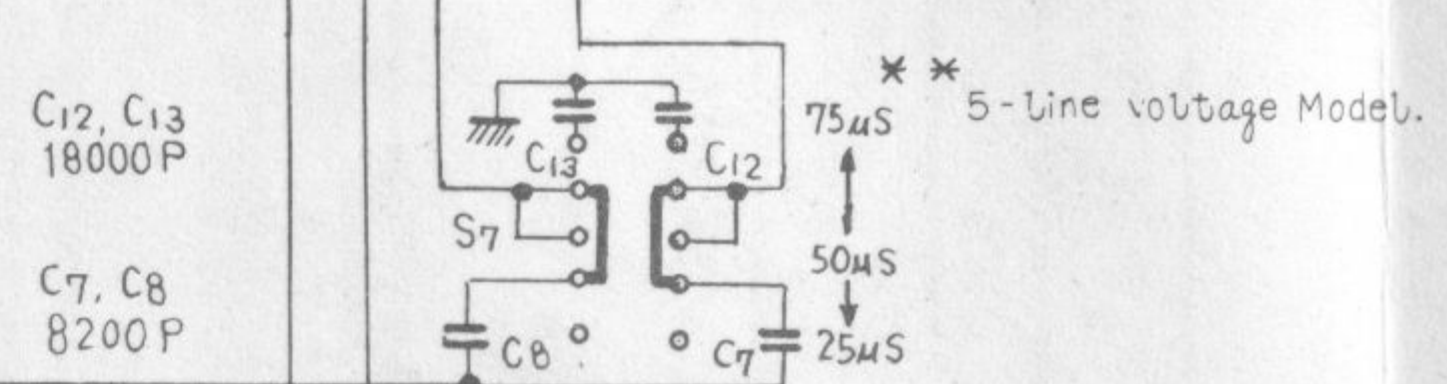
- RESISTORS**  
IN OHM, 1/8W, ±5% TOLERANCE UNLESS OTHERWISE NOTED. K: kΩ M: MΩ
- CAPACITORS**  
IN μF UNLESS OTHERWISE NOTED. P: pF

- NOTES**
- V : SIGNAL VOLTAGE NECESSARY FOR OBTAINING 15W/8Ω OUTPUT POWER (1KHz).
  - ↔ V : DC VOLTAGE AT NO INPUT SIGNAL.
  - ↔ A : DC CURRENT AT NO INPUT SIGNAL.
  - ⊖ V : DC VOLTAGE AT 15W/8Ω OUTPUT POWER.

Marked \* are for adjustment



\*\* : No switch (S7) provided for 220V model, but capacitors (C7 & C8) are provided.



- SWITCHES**
- S1 FUNCTION
    1. AM
    2. FM
    3. PHONO / MIC
    4. AUX
  - S2 POWER SWITCH & OUTPUT SELECTOR
    1. POWER OFF
    2. SP A
    3. SP OFF
    4. SP B
    5. SP A+B
  - S3 FM MUTING (ON POSITION)
  - S4 TAPE MONITOR (OFF POSITION)
  - S5 MODE (STEREO POSITION)
  - S6 LOUDNESS (OFF POSITION)
  - S7 DE-EMPHASIS (50µs POSITION)

- NOTES**
- V : SIGNAL VOLTAGE NECESSARY FOR OBTAINING 15W/8Ω OUTPUT POWER (1kHz).
  - ← V : DC VOLTAGE AT NO INPUT SIGNAL.
  - ← A : DC CURRENT AT NO INPUT SIGNAL.
  - ← V : DC VOLTAGE AT 15W/8Ω OUTPUT POWER.

- RESISTORS**  
IN OHM, 1/4W, ±5% TOLERANCE UNLESS OTHERWISE NOTED. K : kΩ M : MΩ
- CAPACITORS**  
IN µF UNLESS OTHERWISE NOTED. P : pF