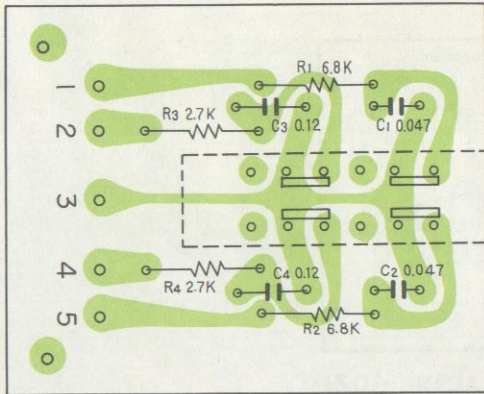
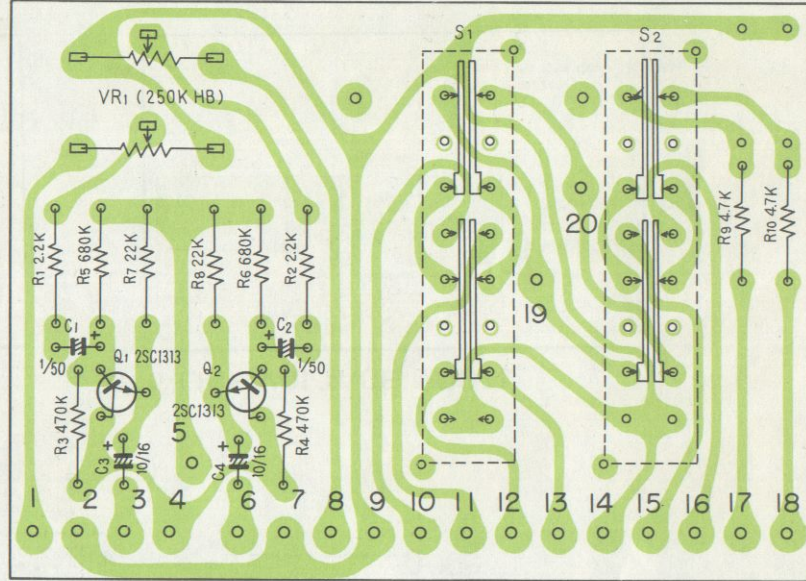


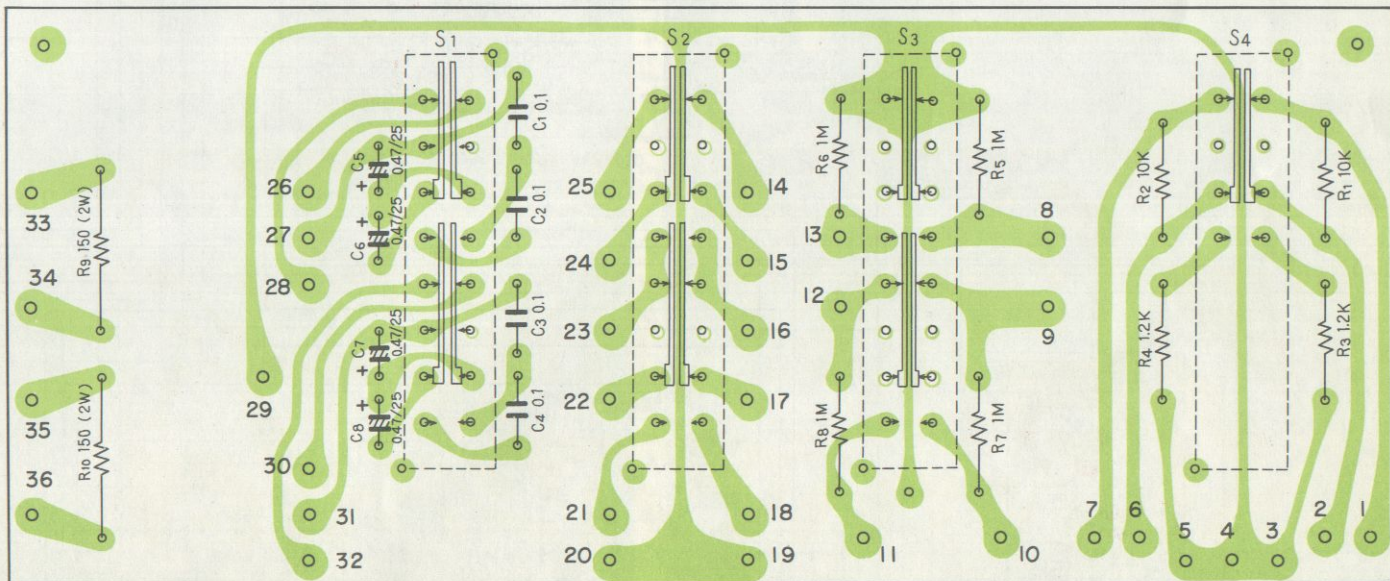
Push switch ass'y AWS-037



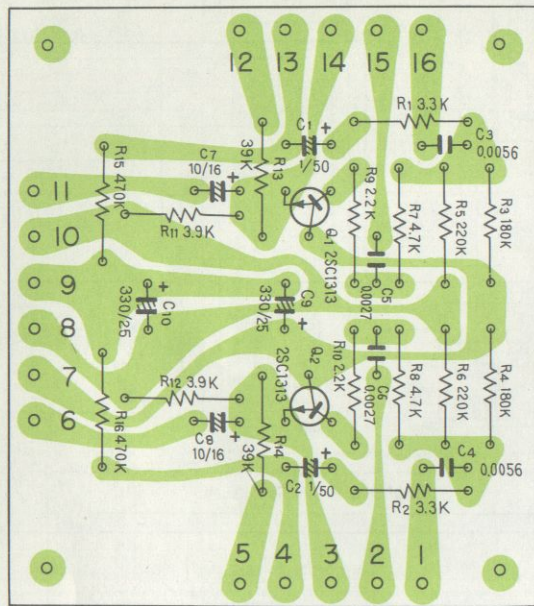
Switch circuit ass'y AWS-036



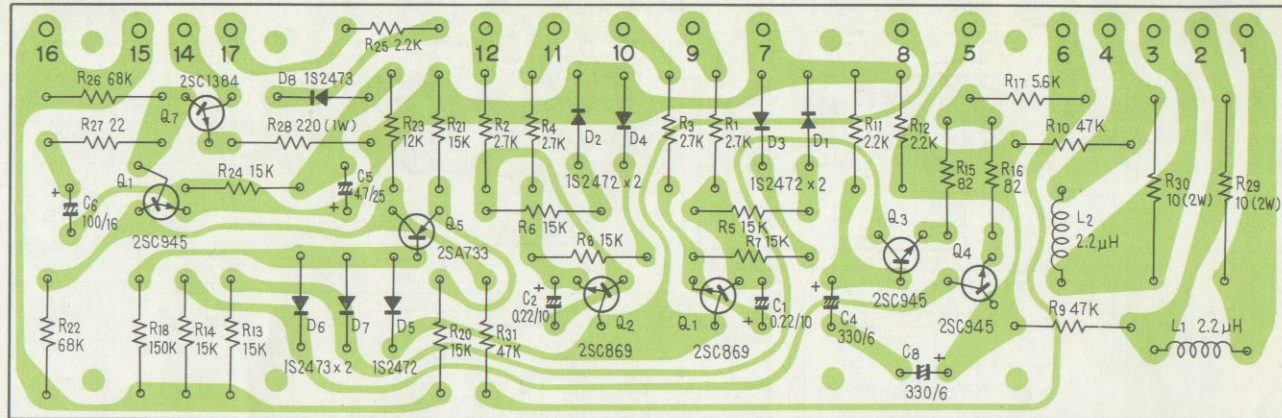
Switch circuit ass'y AWS-035



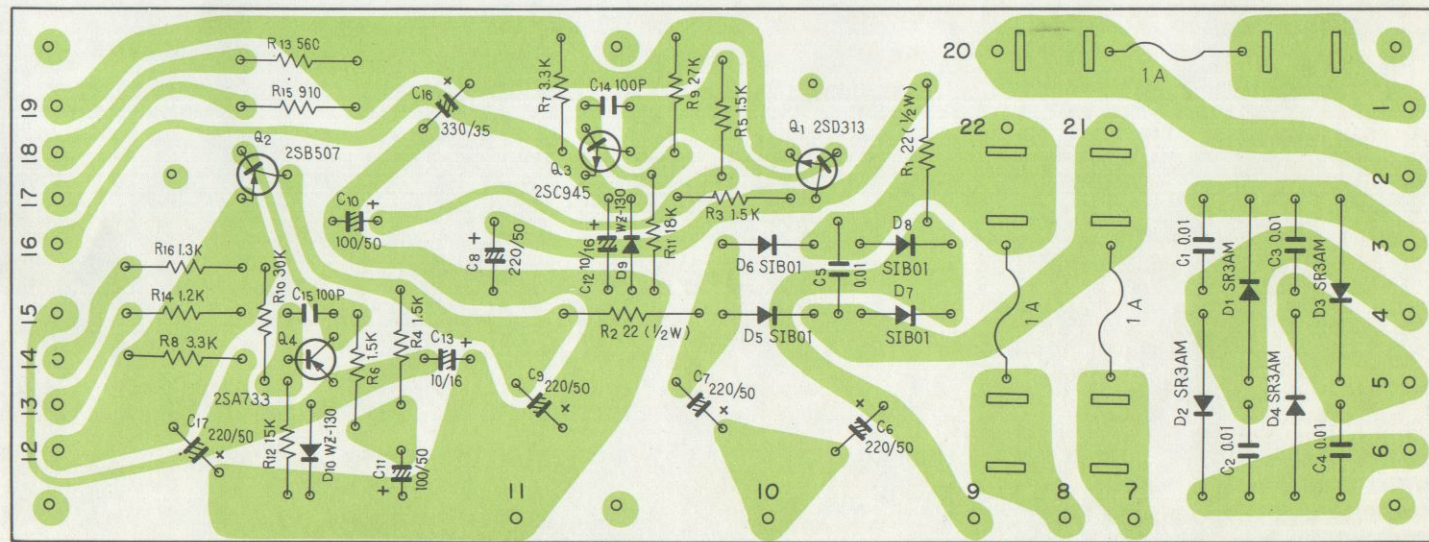
Filter amp ass'y AWK-020

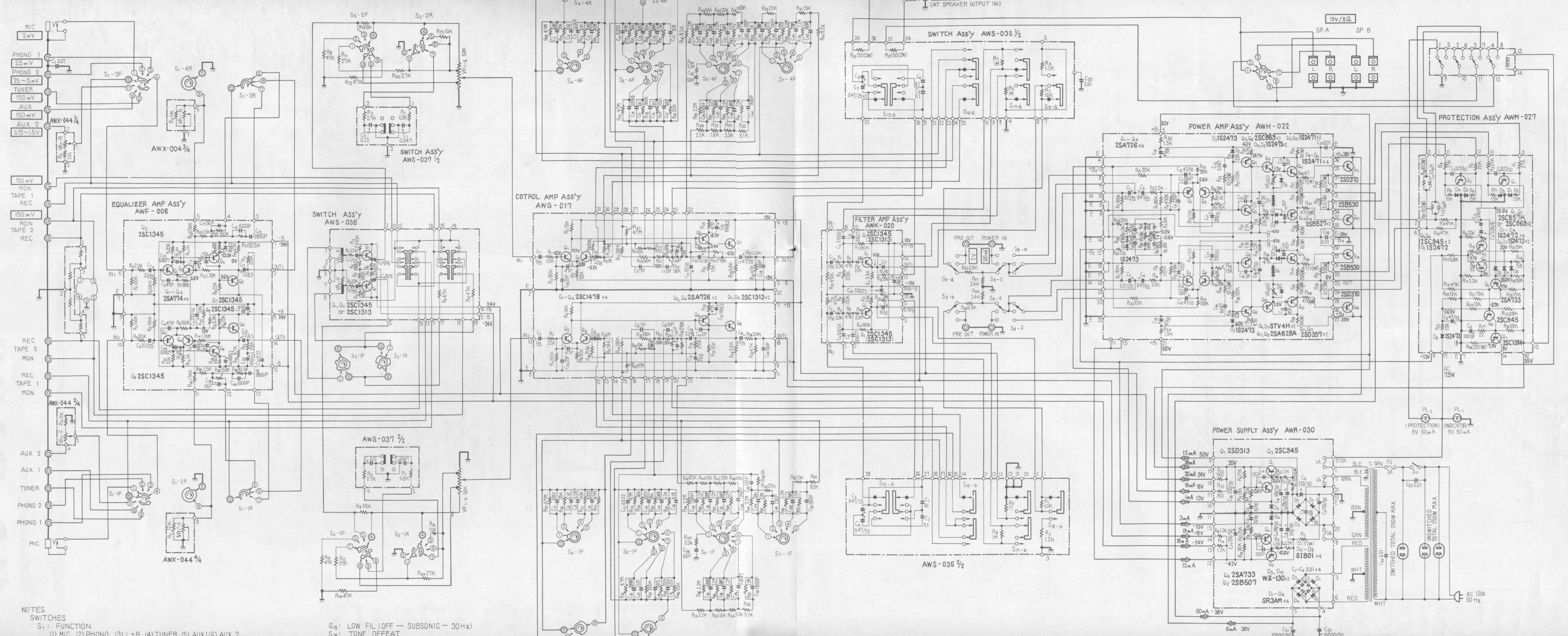


Protection circuit ass'y AWM-027

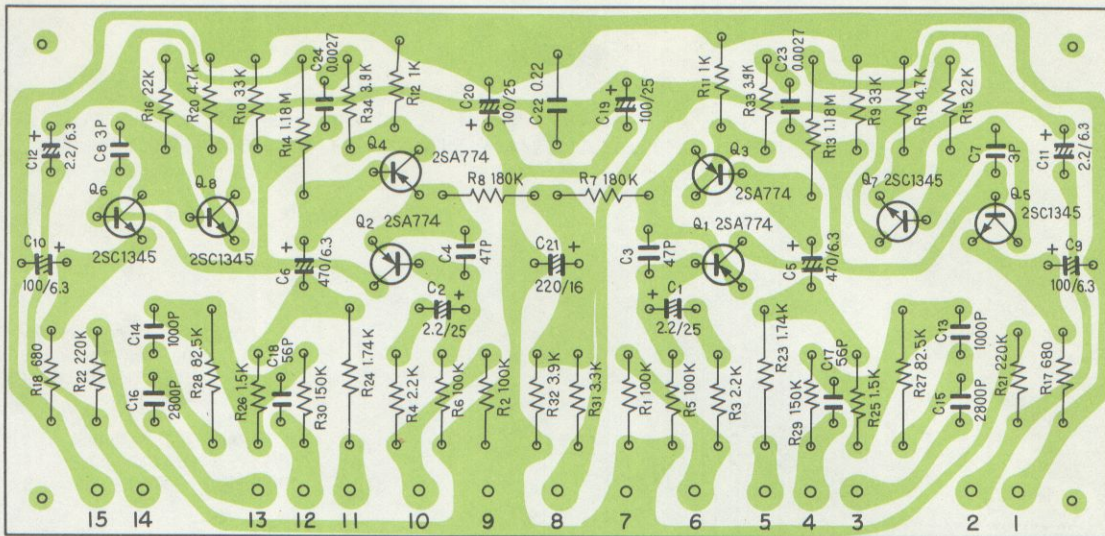


Power supply ass'y AWR-030





Equalizer amp ass'y AWF-006



Control amp ass'y AWG-017

