



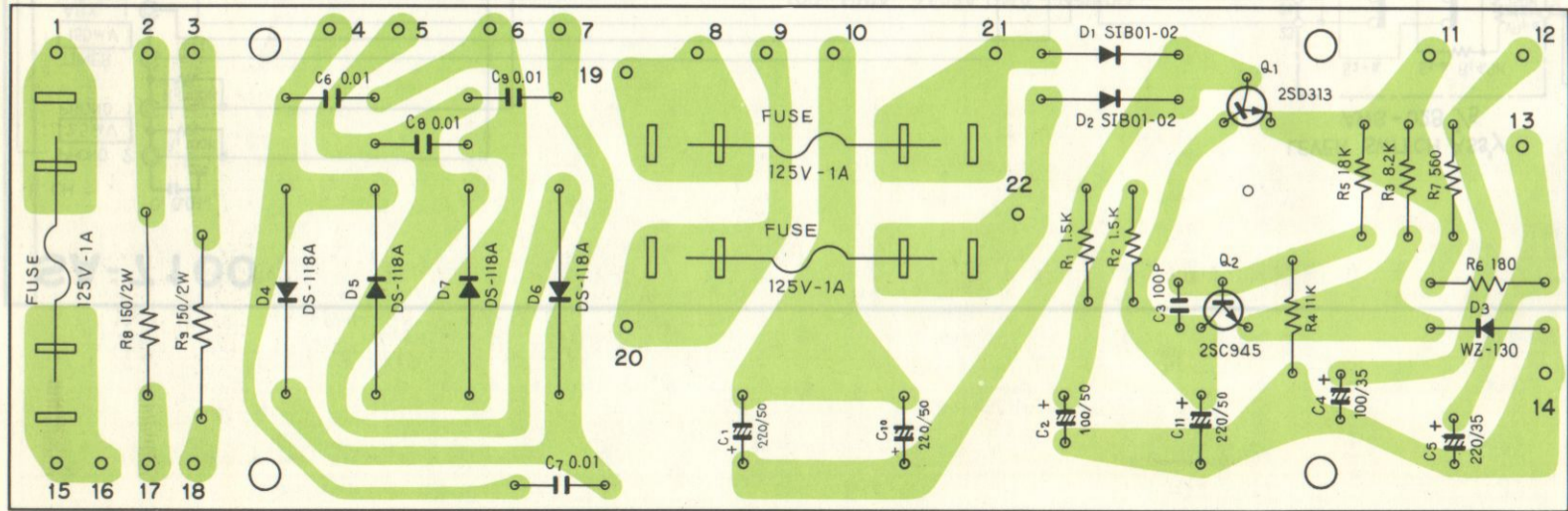
STEREO AMPLIFIER

**SA-7100**

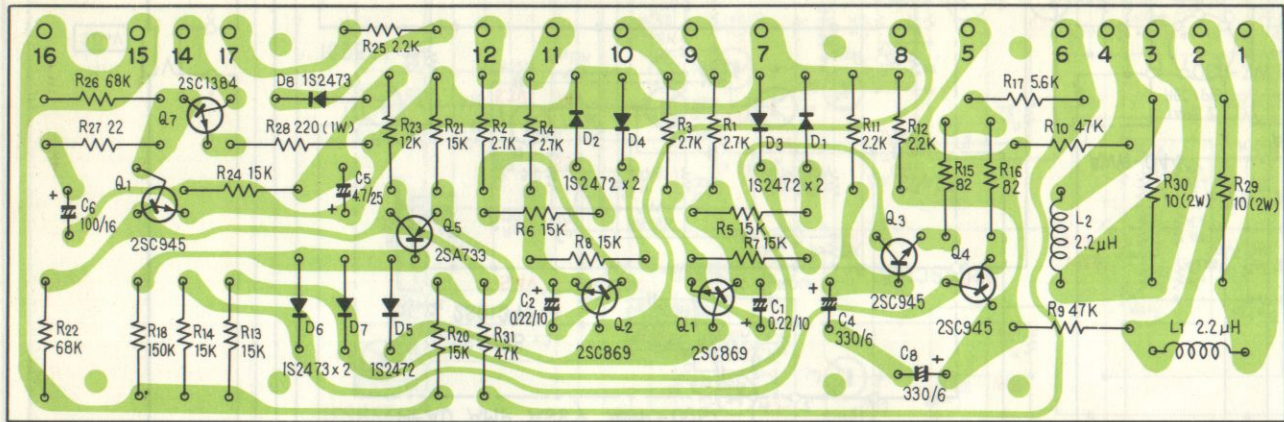
**FVW KCW KUW**

3

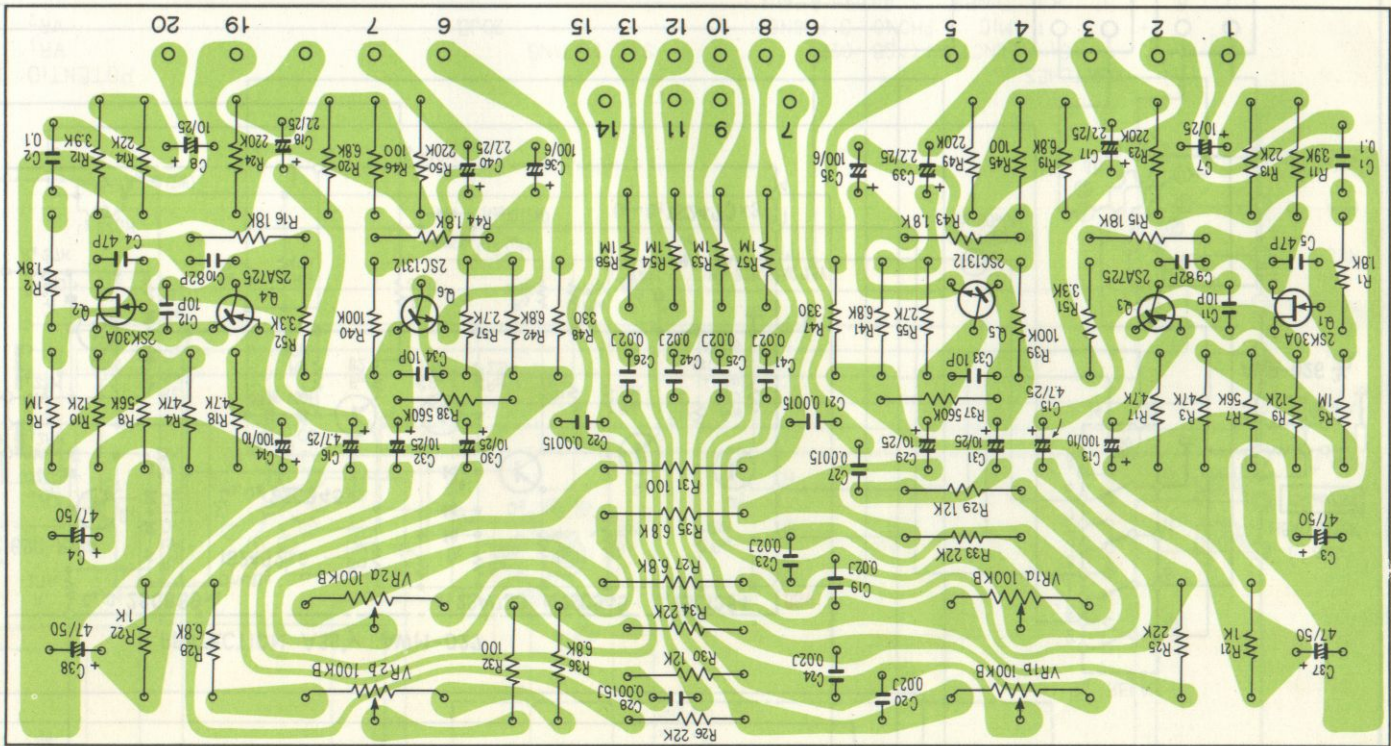
# Power supply ass'y AWR-026



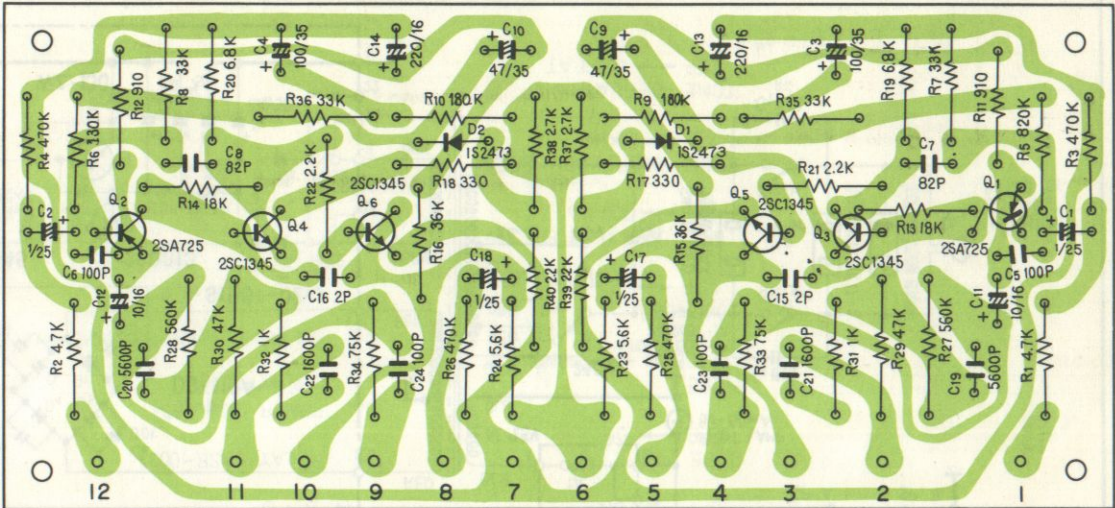
# Protection ass'y AWM-027



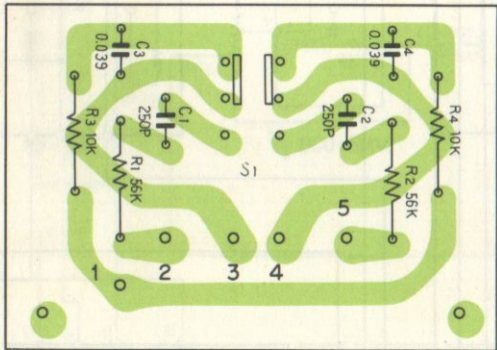
# Control amp ass'y AWG-016



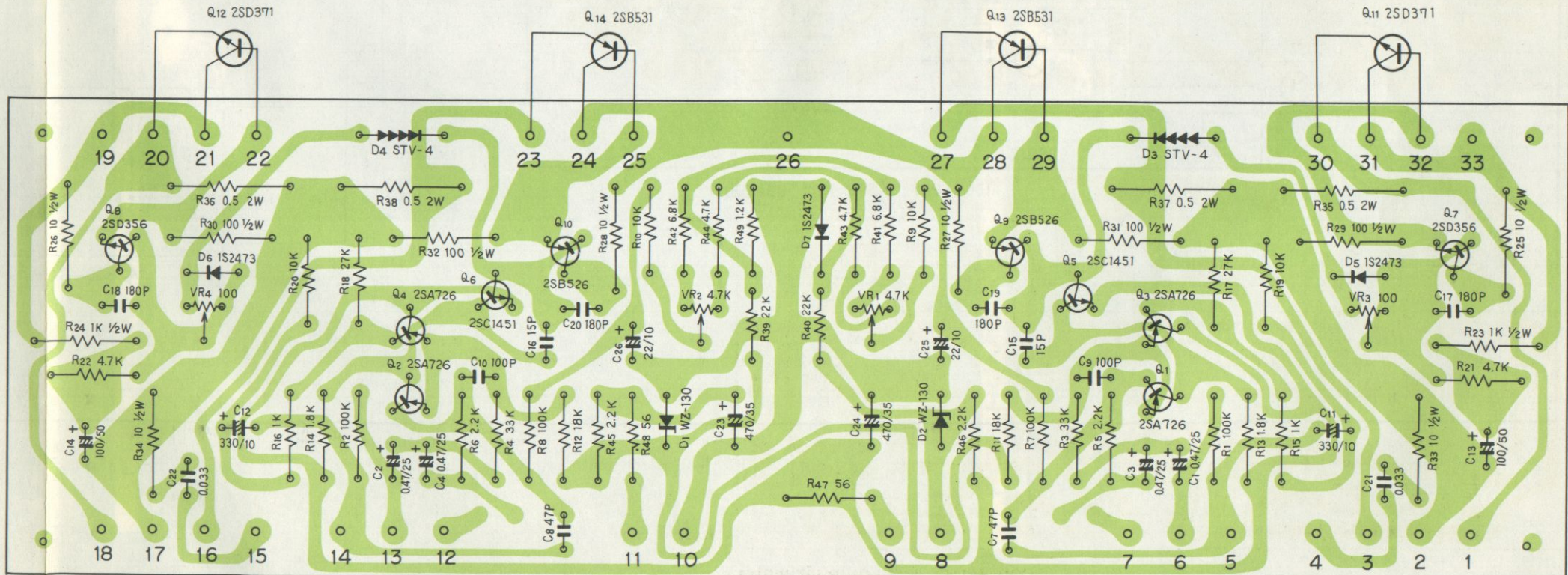
# Equalizer amp ass'y AWF-005

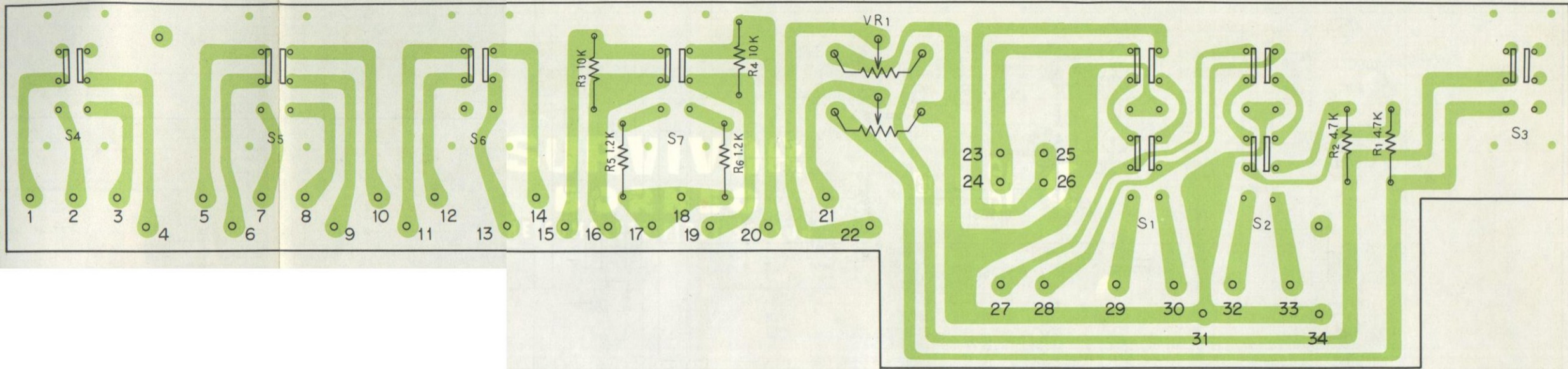


# Push switch ass'y AWS-030

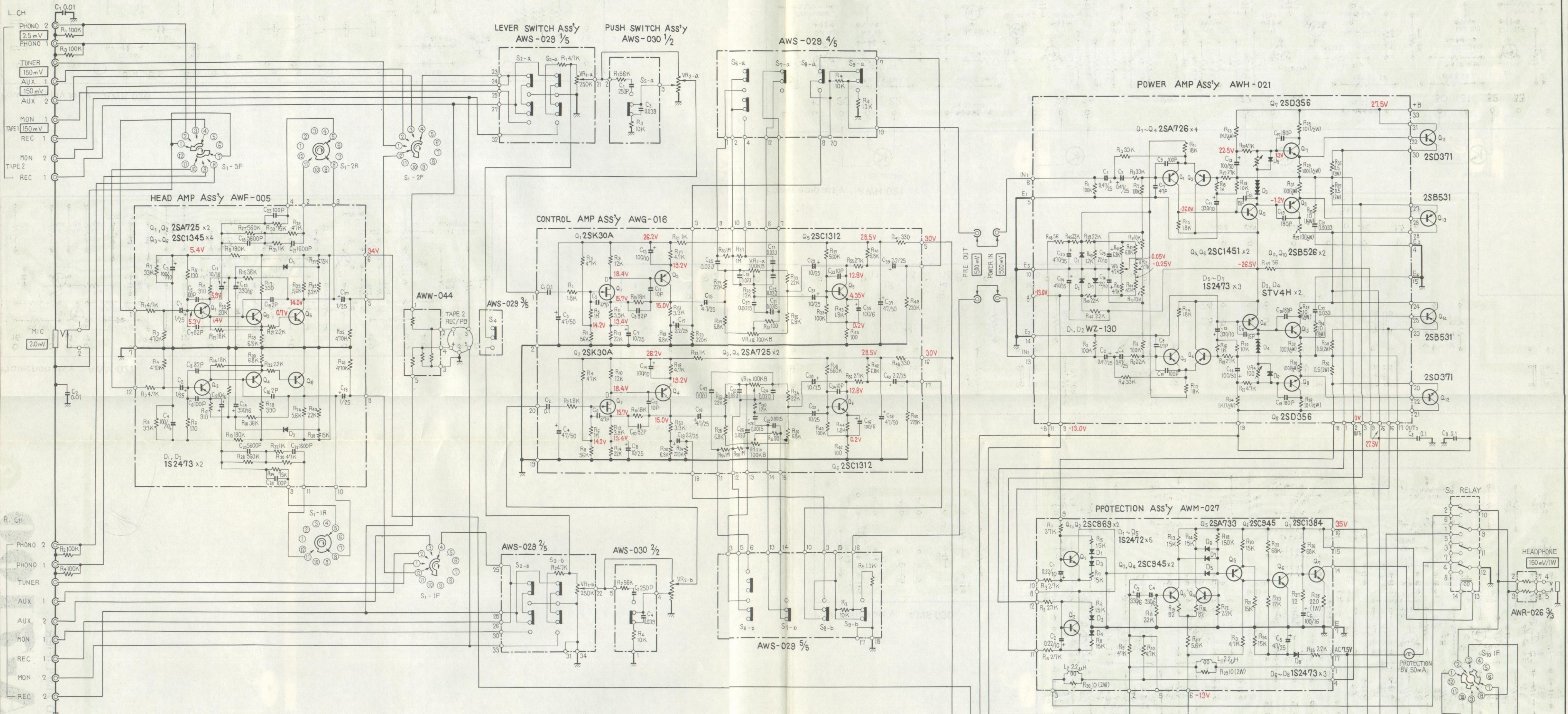


# Power amp ass'y AWH-021





# SA-7100



- SWITCHES**
- S<sub>1</sub> FUNCTION (ASB-020)
    - MIC
    - PHONO
    - PHONO 1
    - TUNER
    - AUX 1
    - AUX 2
  - S<sub>2</sub> TAPE MON 1  
OFF → ON
  - S<sub>3</sub> TAPE MON 2  
OFF → ON
  - S<sub>4</sub> MODE  
STEREO ↔ MONO
  - S<sub>5</sub> LOUDNESS  
OFF → ON
  - S<sub>6</sub> TURN OVER (LOW FREQ)  
400 → 200 Hz
  - S<sub>7</sub> TURN OVER (HIGH FREQ)  
2.5 → 5 kHz
  - S<sub>8</sub> TONE DEFEAT  
OFF → DEFEAT
  - S<sub>9</sub> MUTING  
0 → -20 dB
  - S<sub>10</sub> SPEAKERS (ASB-021)
    - OFF
    - A
    - B
    - A + B
  - S<sub>11</sub> RELAY (ASR-003)
  - S<sub>12</sub> POWER (ASK-024)  
OFF → ON
  - S<sub>13</sub> VOLTAGE SELECTOR (AKR-001)

- POTENTIOMETER**
- VR<sub>1</sub> BALANCE CONTROL (250KHz)
  - VR<sub>2</sub> VOLUME CONTROL (ACV-112)
- RESISTORS**
- ± 5% TOLERANCE P-TYPE CARBON 1/4 WATT  
NON MARK : OHM K : KILO OHM
- CAPACITORS**
- NON MARK : MYLAR C : CERAMIC  
NON MARK : MICRO FARAD P : PICO FARAD

