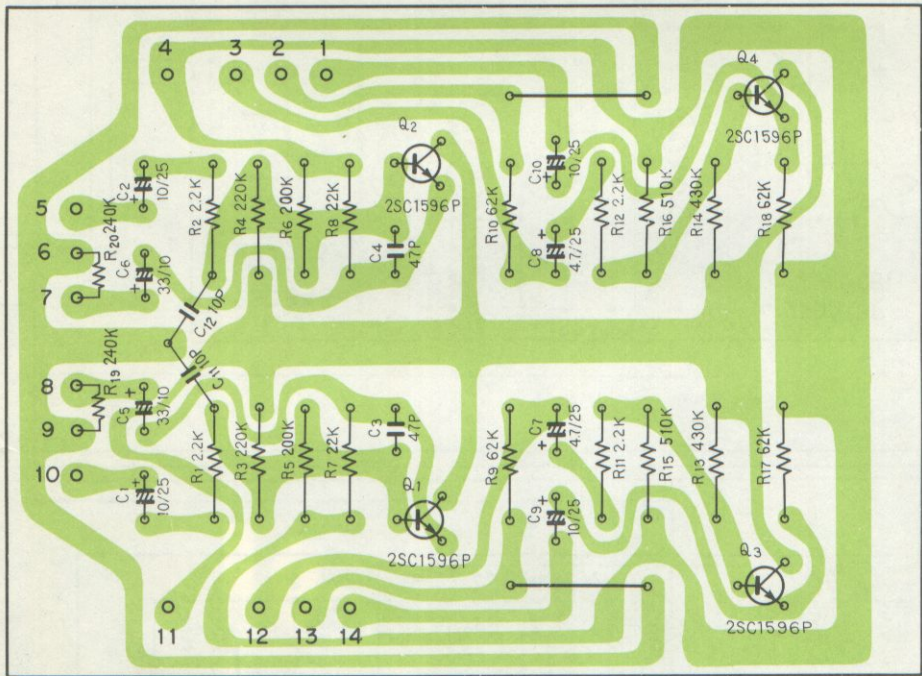


Stereo Power Amplifier

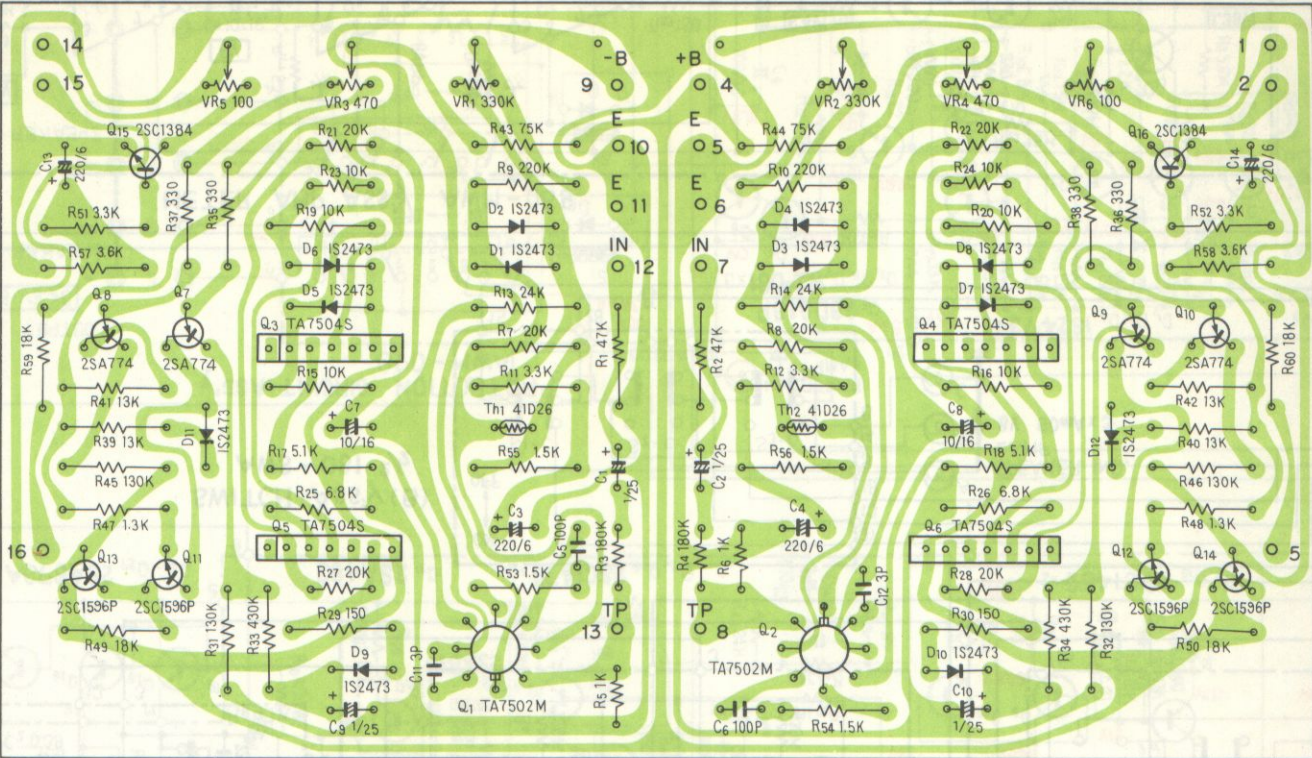
EXCLUSIVE *M3*
N



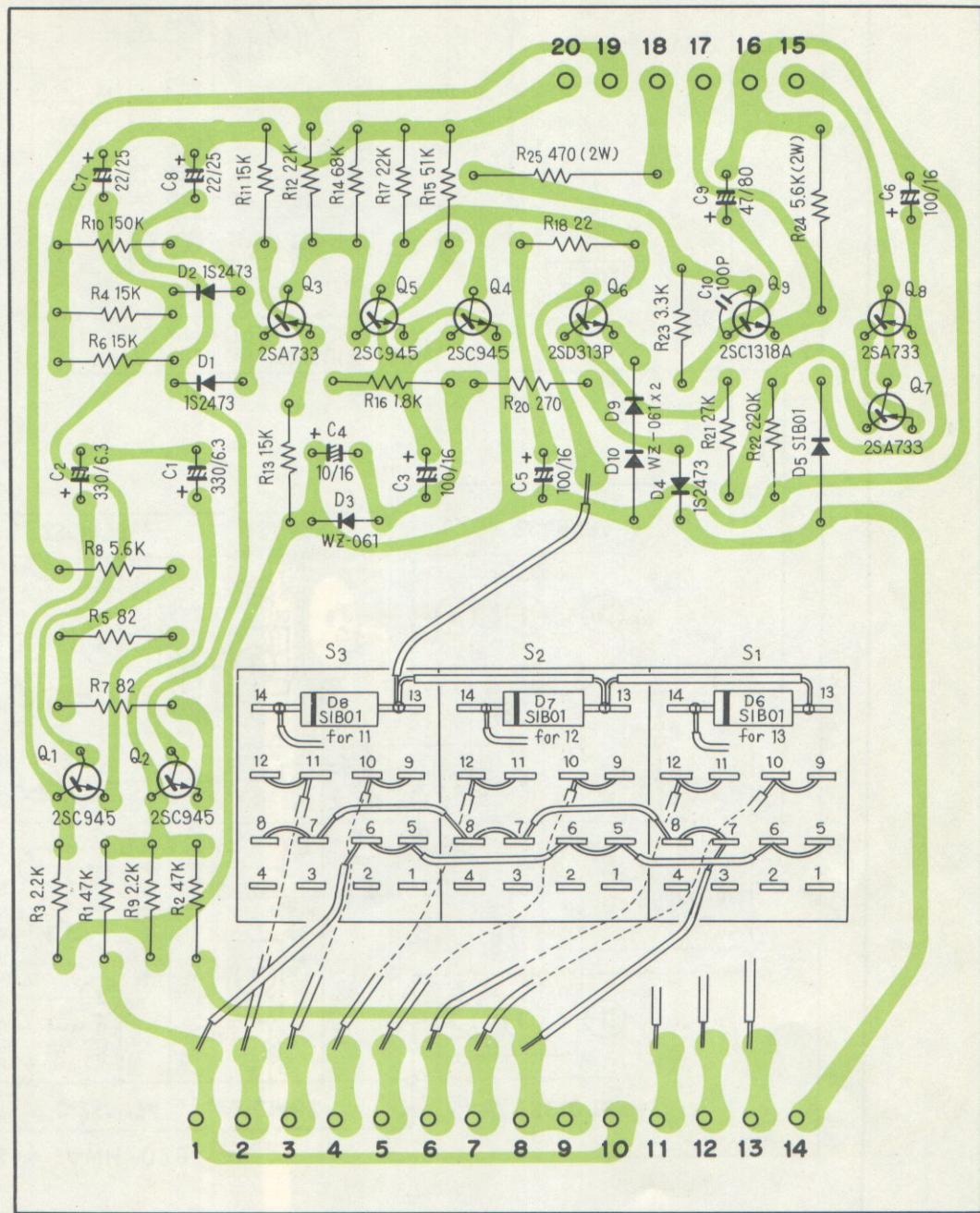
Buffer amp ass'y AWM-057

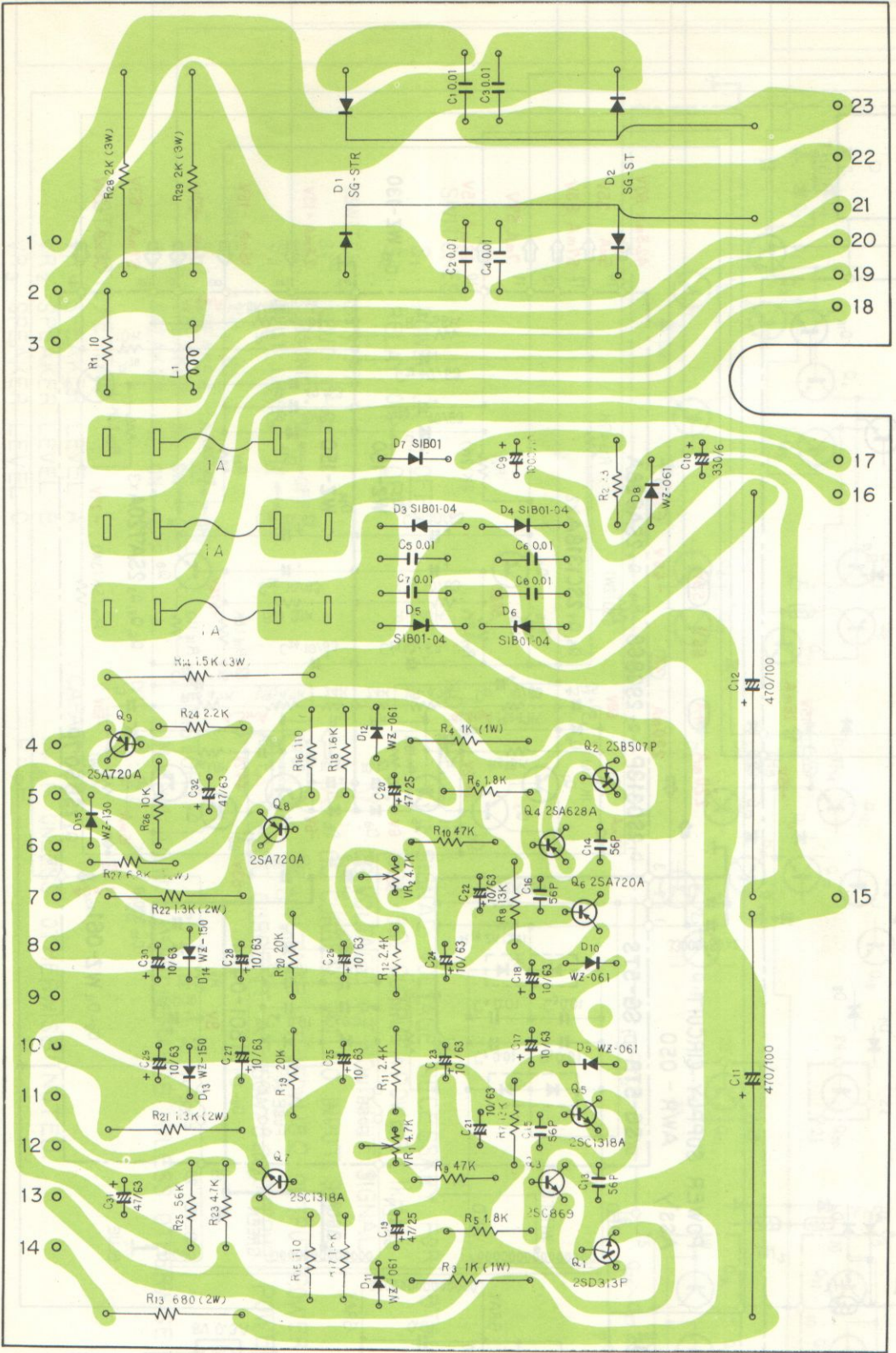


Meter amp assy AWM-059

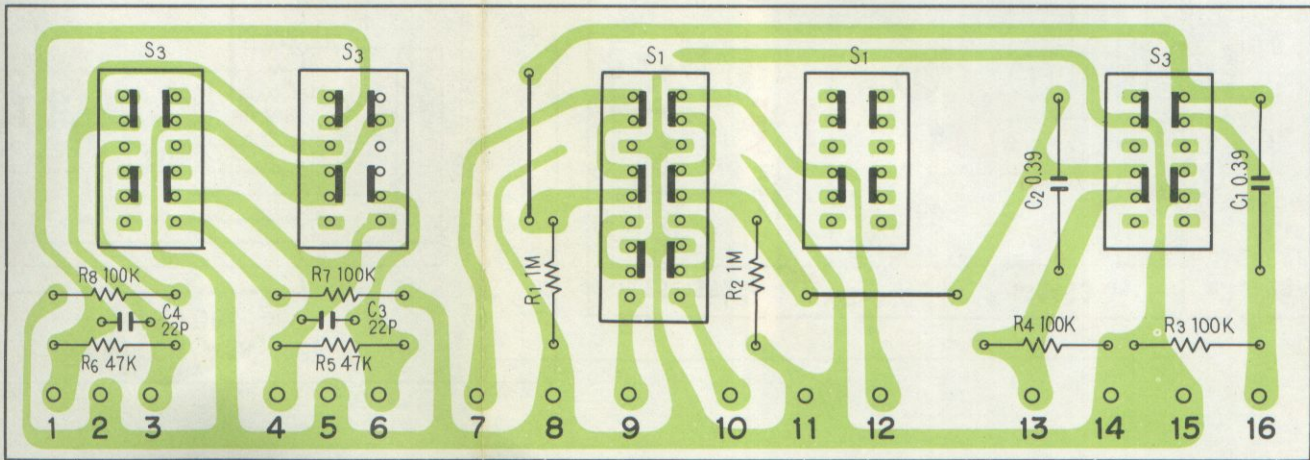


Protection circuit ass'y AWM-073

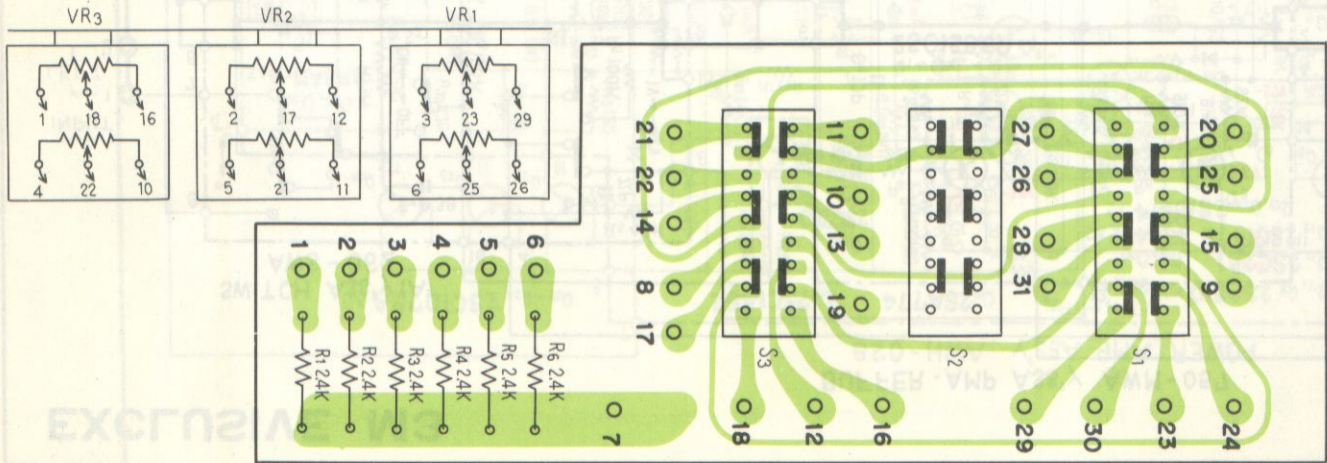




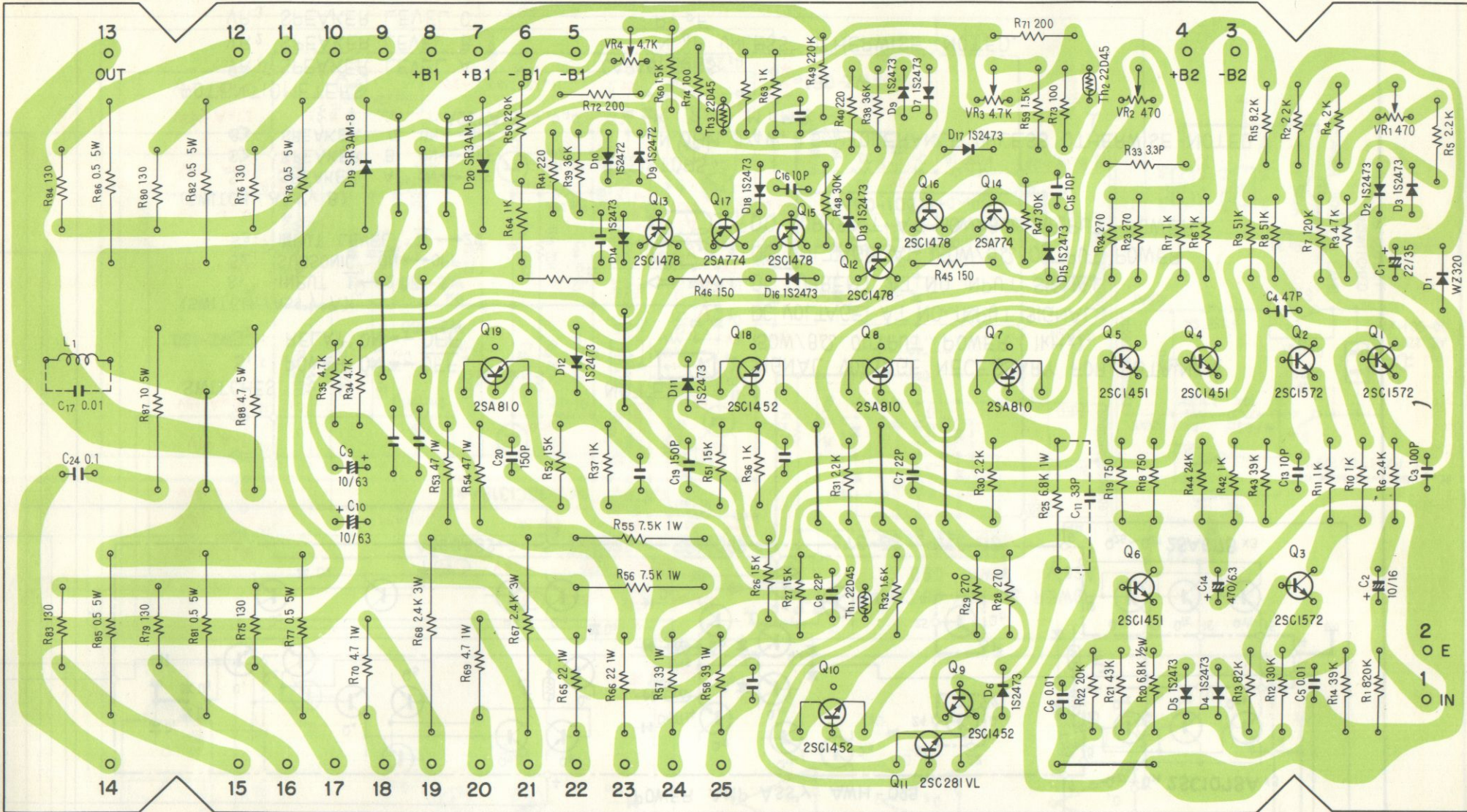
Switch ass'y A AWS-062

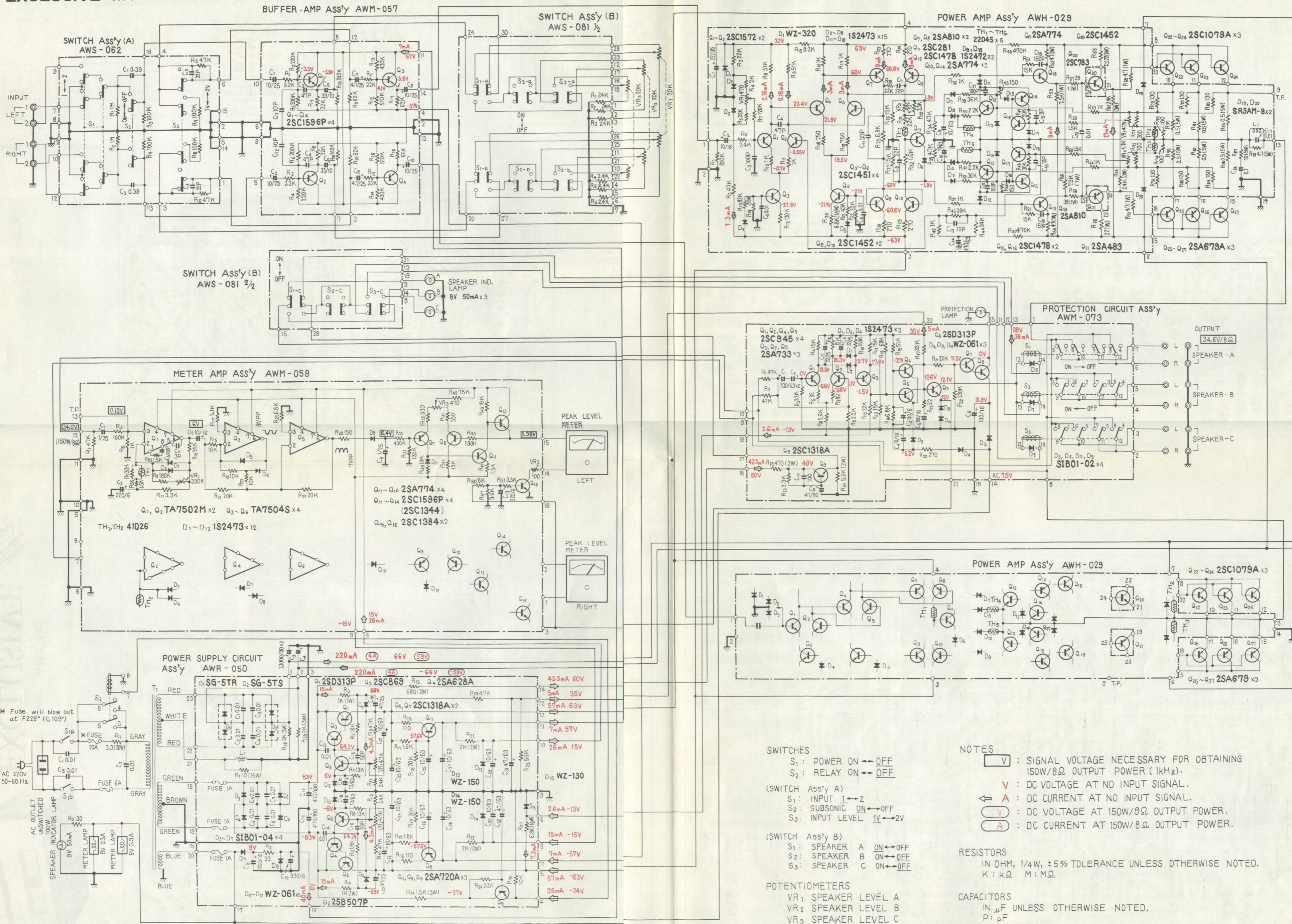


Switch ass'y B AWS-081



Power amp ass'y AWH-029





- SWITCHES**
 S₁ : POWER ON ↔ OFF
 S₂ : RELAY ON ↔ OFF
- (SWITCH Ass'y A)**
 S₁ : INPUT 1 ↔ 2
 S₂ : SUBSONIC ON ↔ OFF
 S₃ : INPUT LEVEL 1V ↔ 2V
- (SWITCH Ass'y B)**
 S₁ : SPEAKER A ON ↔ OFF
 S₂ : SPEAKER B ON ↔ OFF
 S₃ : SPEAKER C ON ↔ OFF
- POTENTIOMETERS**
 VR₁ SPEAKER LEVEL A
 VR₂ SPEAKER LEVEL B
 VR₃ SPEAKER LEVEL C

- NOTES**
- V : SIGNAL VOLTAGE NECESSARY FOR OBTAINING 150W/8Ω OUTPUT POWER (1kHz).
 - V : DC VOLTAGE AT NO INPUT SIGNAL.
 - V : DC VOLTAGE AT 150W/8Ω OUTPUT POWER.
 - A : DC CURRENT AT 150W/8Ω OUTPUT POWER.
- RESISTORS**
 IN OHM, 1/4W, ±5% TOLERANCE UNLESS OTHERWISE NOTED.
 K : kΩ M : MΩ
- CAPACITORS**
 IN μF UNLESS OTHERWISE NOTED.
 P : pF