

<R42-289-0>

Service Manual

SPEAKER SYSTEM

CS-R500

PIONEER®

<72H02M01K>

2. CS-R500

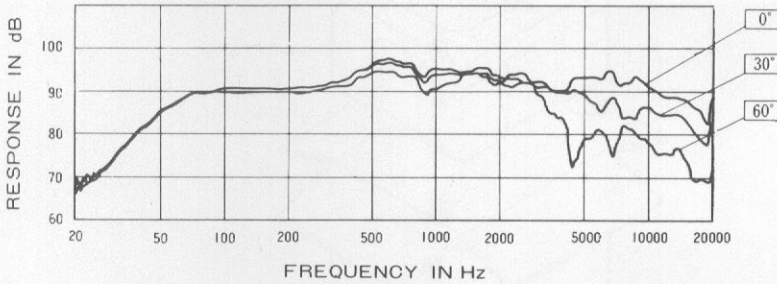
2.1 SPECIFICATIONS

Enclosure	Bass-reflex type
System	3-way 3-speaker system
Speakers;	
Woofer	25cm (10 in.) cone type
Mid Range	12cm (5 in.) cone type
Tweeter	Horn type
Frequency Range	35Hz to 20,000Hz
Input Impedance	8 Ω
Sensitivity	91dB/W at 1 m distance
Max. Input Power	60W
Crossover Frequencies:	Lows – Mid range 650Hz Mid range – Highs 6,000Hz
External Dimensions	350(W) x 610(H) x 306(D) mm 13-25/32(W) x 24(H) x 12-1/32(D) in.
Weight	18.5kg (40lb 13oz)

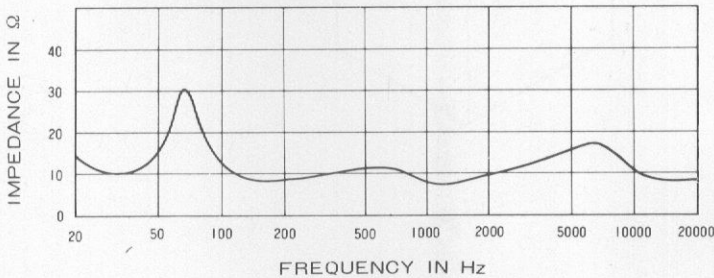


NOTE: Specifications and the design subject to possible modification without notice due to improvements.

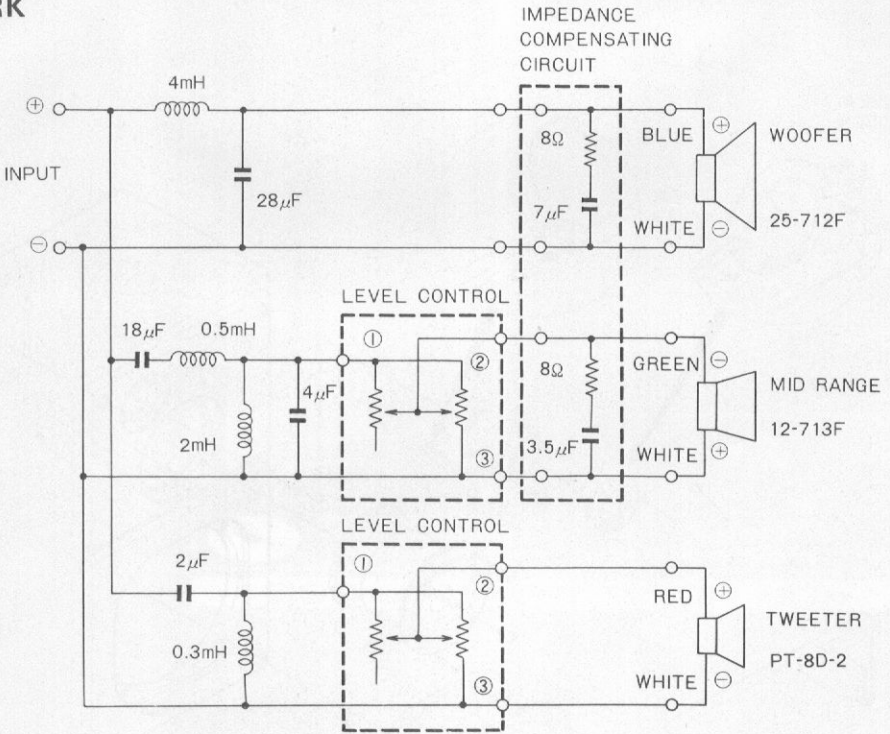
DIRECTIONAL FREQUENCY RESPONSE



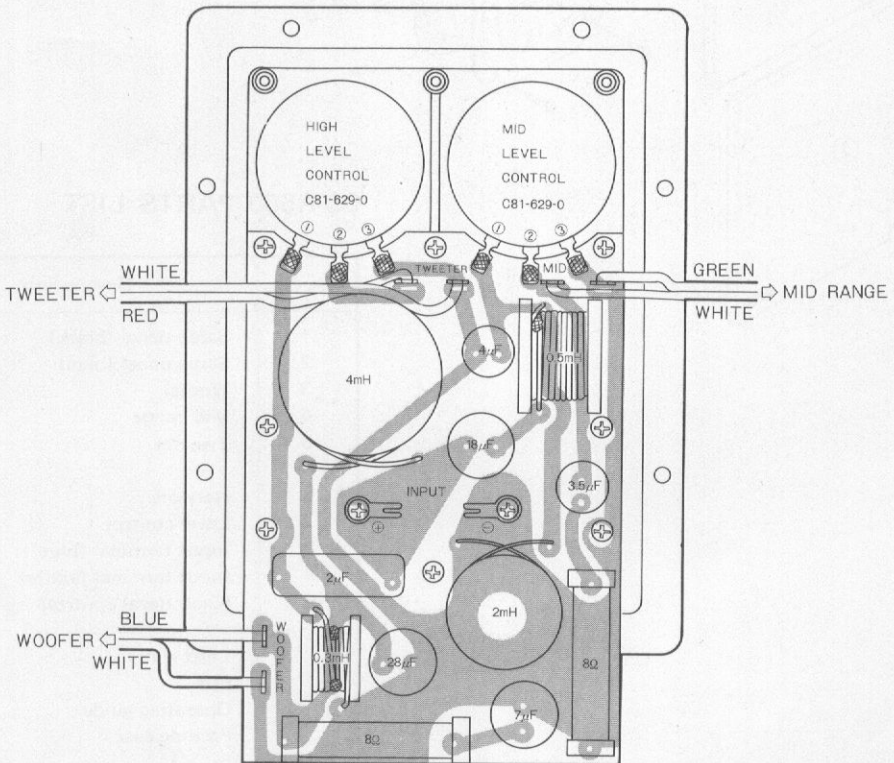
CHARACTERISTICS OF IMPEDANCE



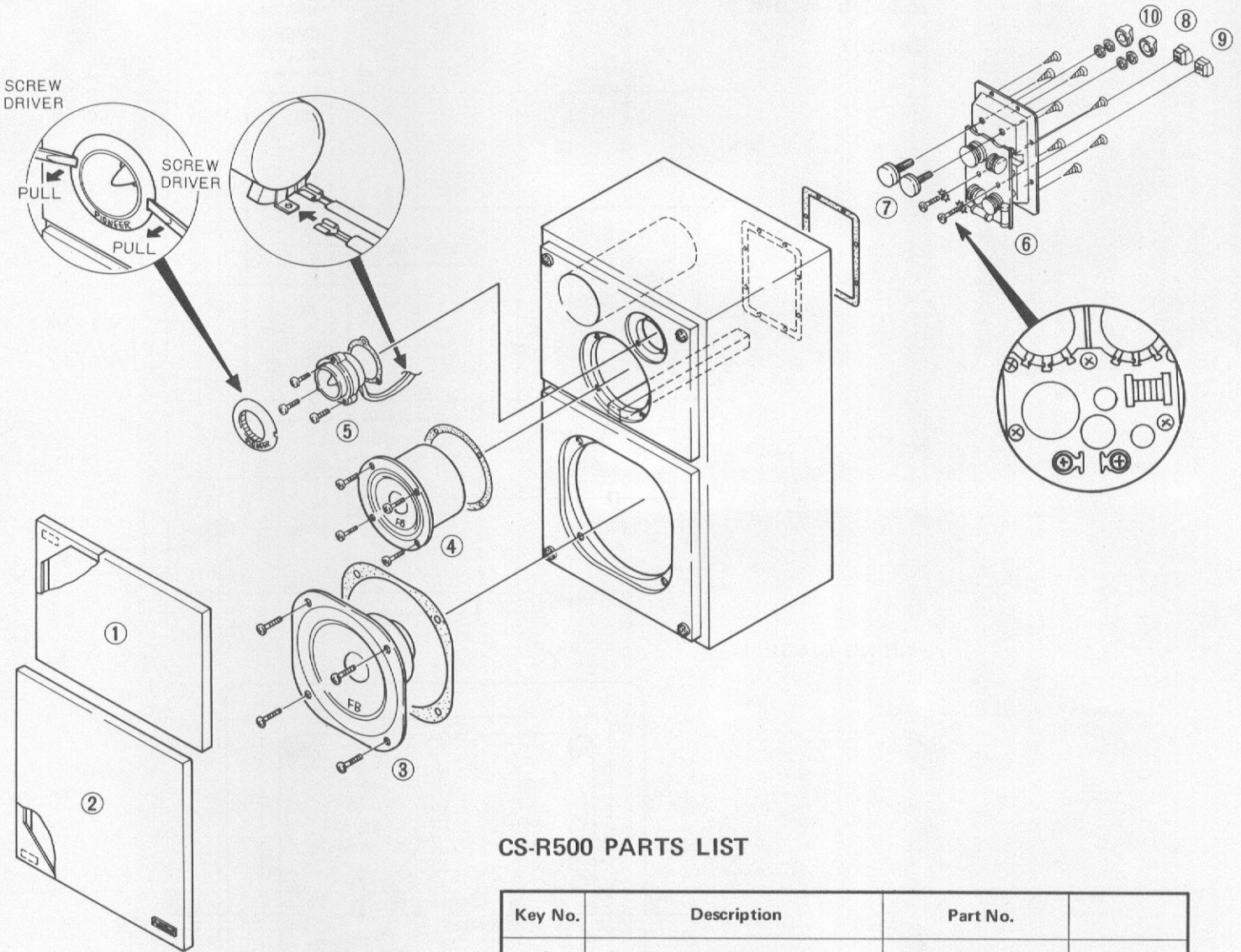
2.2 NETWORK
CIRCUIT



WIRING DIAGRAM



2.3 EXPLODED VIEW AND PARTS LIST



CS-R500 PARTS LIST

Key No.	Description	Part No.	
1	Saran panel (black)	SXB-054-0	
2	Saran panel (blue)	SXB-055-0	
3	Woofer	25-712F	
4	Mid range	12-713F	
5	Tweeter	PT-8D-2	
6	Network	SWN-030-0	
7	Level control	C81-629-0	
8	Input terminal (blue)	SKC-012-0	
9	Input terminal (white)	SKC-012-A	
10	Knob (level control)	SAA-005-0	
	Lead wire	D51-603-A	
	Pad	E11-048-A	
	Operating guide	SRB-036-0	
	Packing case	SHG-048-A	
	Styrol	SHA-021-0	

