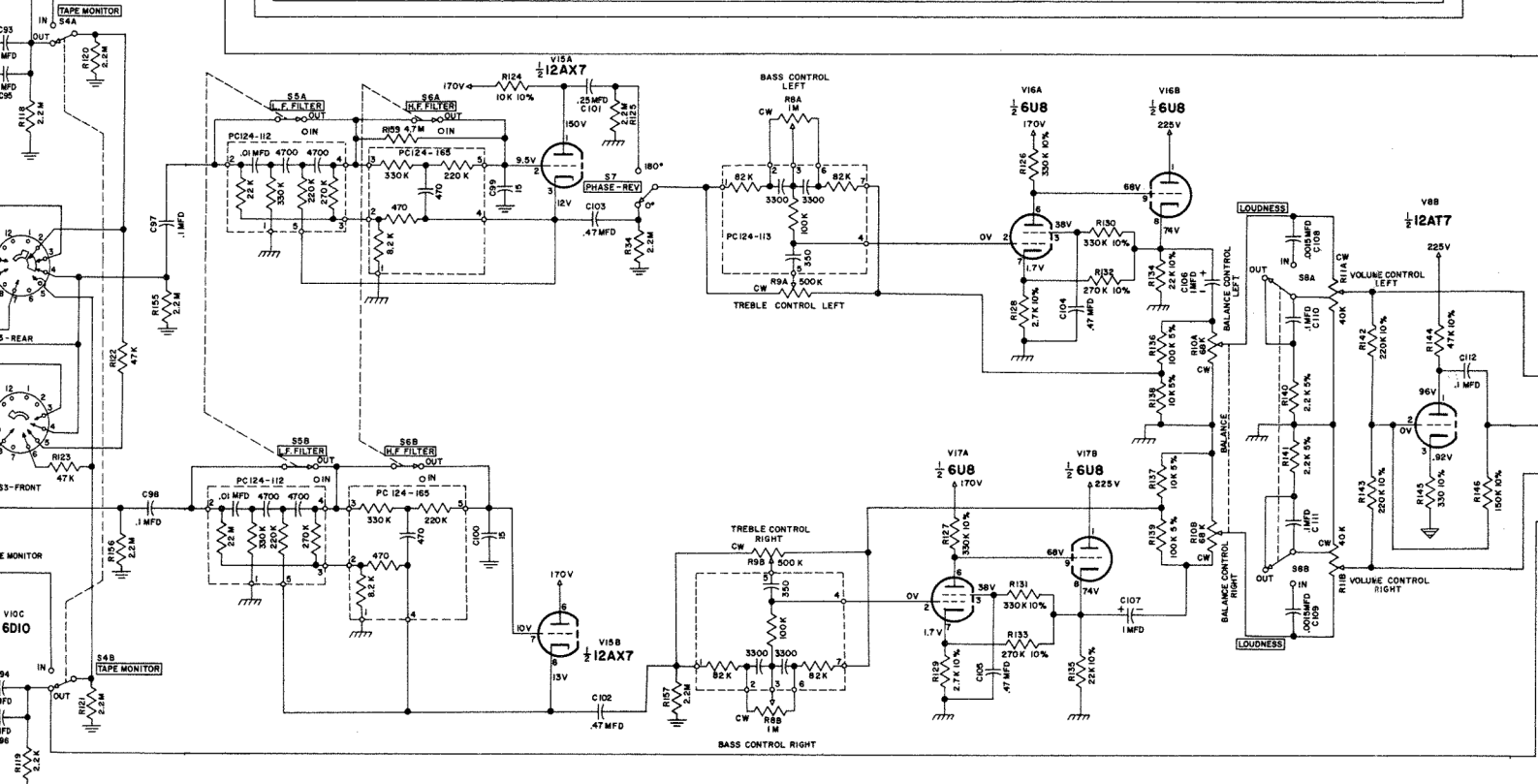
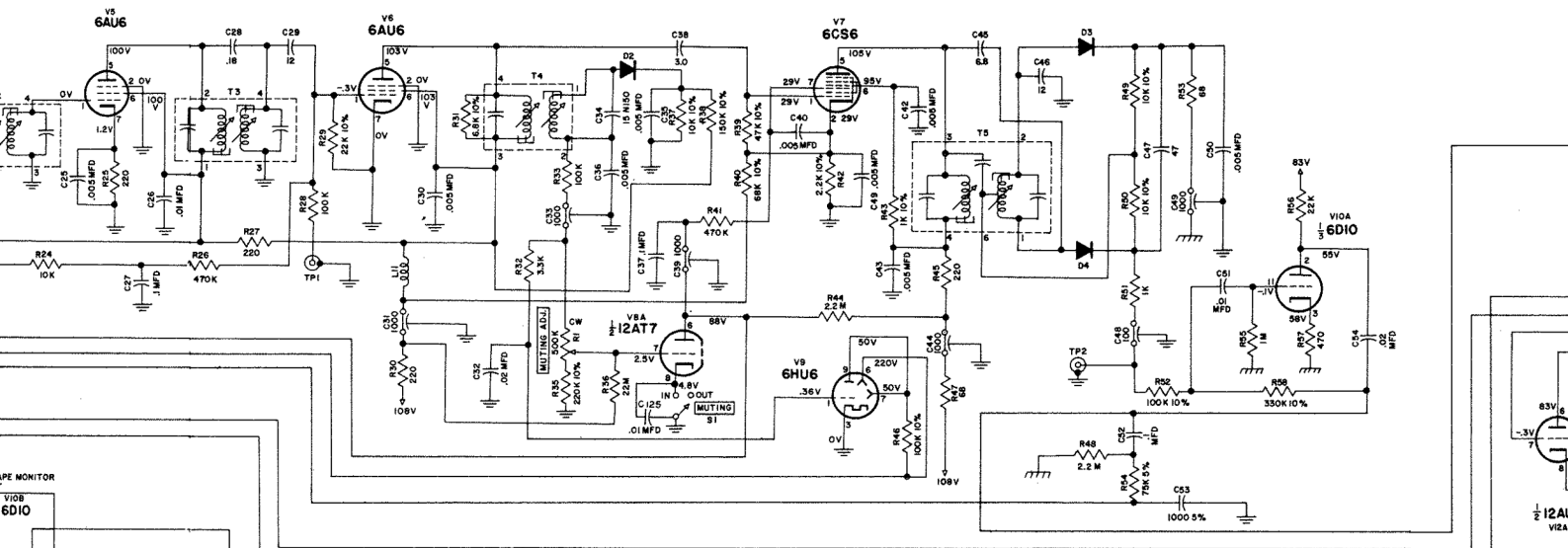
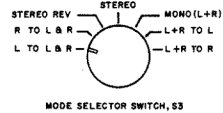
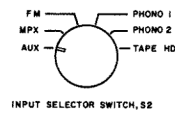


- ⊥ CHASSIS GROUND
- ⏏ INPUT AUDIO GROUND
- ⏏ OUTPUT AUDIO GROUND



CHASSIS GROUND  
 INPUT AUDIO GROUND  
 OUTPUT AUDIO GROUND

ALL SWITCHES SHOWN IN CCW POSITION



ALL VOLTAGES MEASURED UNDER FOLLOWING CONDITIONS:  
 1 - USE OF 11 REGOMBS INPUT IMPEDANCE VTVM  
 2 - ALL VOLTAGES ± 10%, WITH RESPECT TO GROUND  
 3 - A.C. INPUT AT 117 V 50-60 CPS.  
 4 - NO SIGNAL AT ANTENNA AND OTHER INPUTS  
 5 - FRONT PANEL CONTROLS AT:  
 MODE SELECTOR - STEREO  
 INPUT SELECTOR - MPX  
 VOLUME CONTROL - MAX  
 BALANCE CONTROL - ZERO  
 TAPE MONITOR - ON  
 TONE CONTROLS - FLAT  
 PHASE - 0

