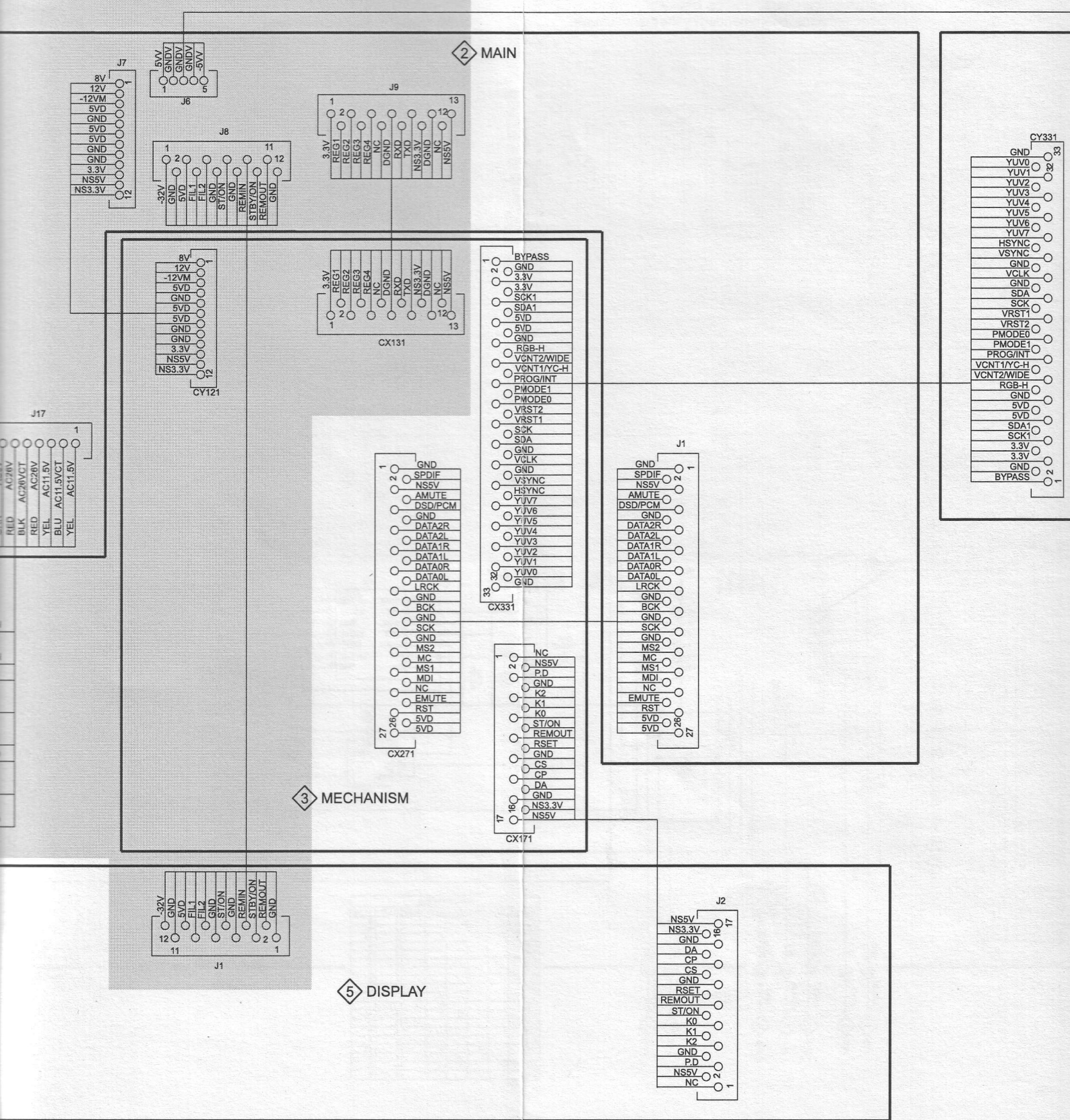


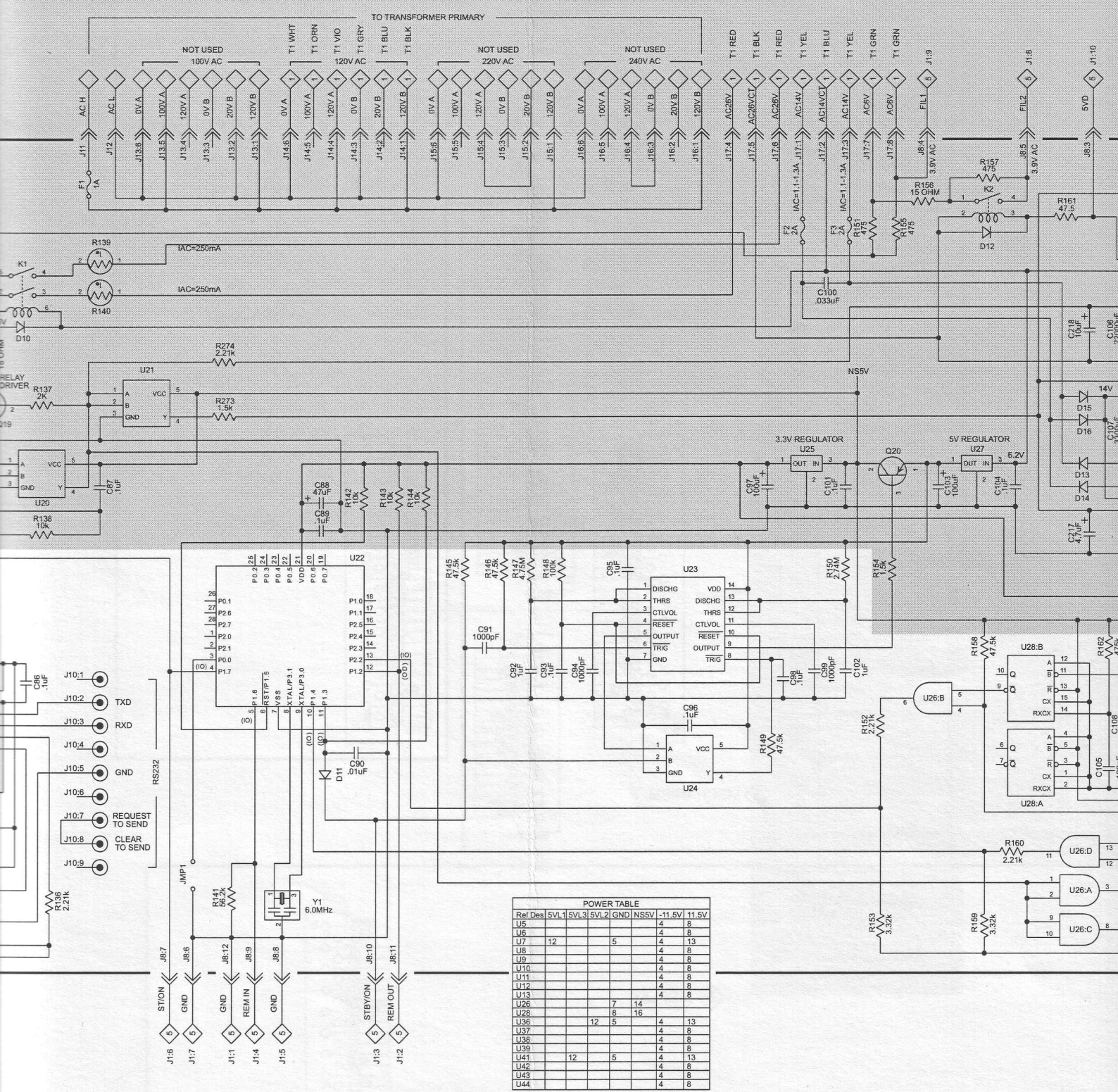
# MVP861

**WARNING** Parts located in the shaded area have critical characteristics. Use only replacement parts recommended by the manufacturer.



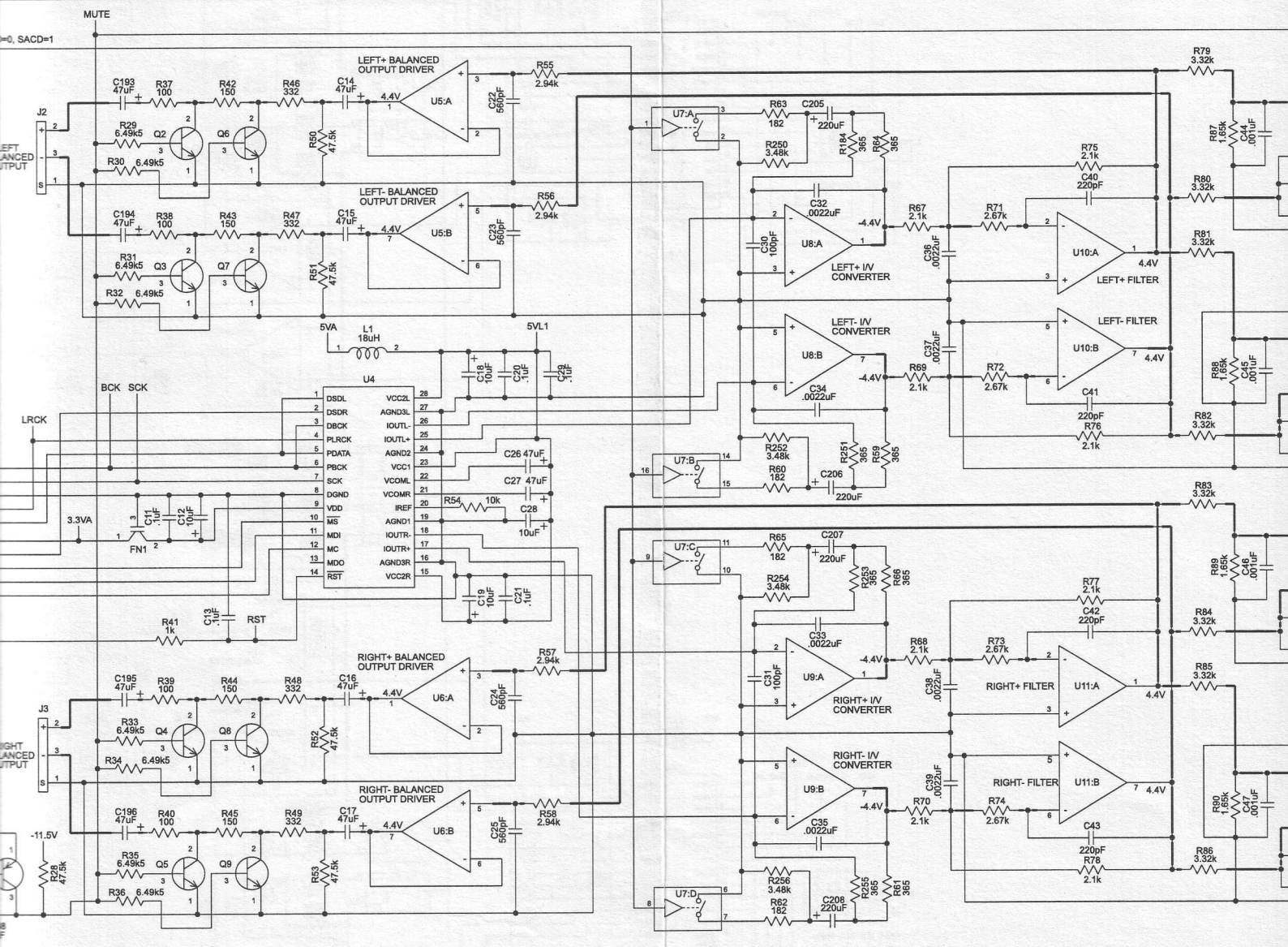


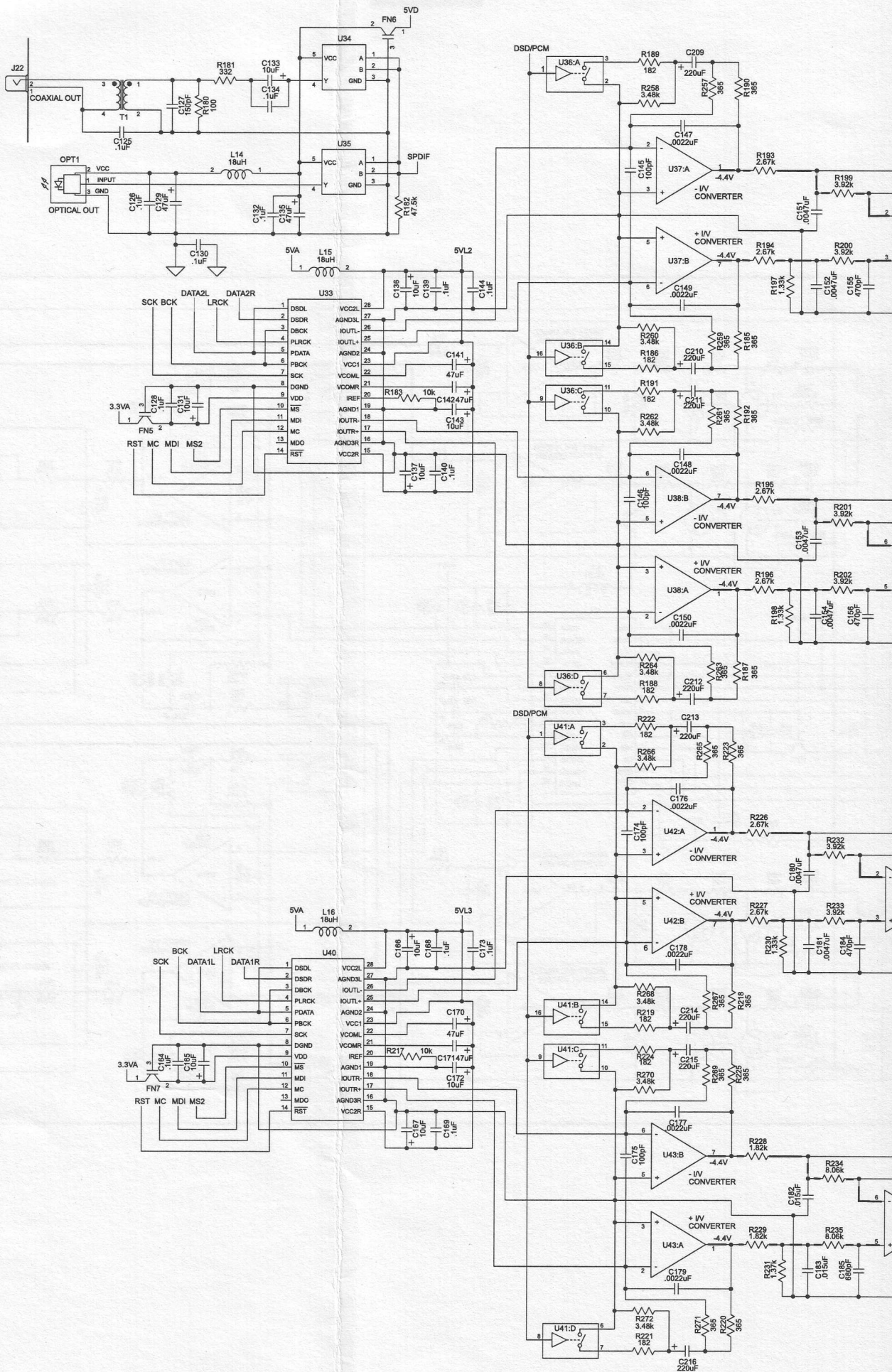
**WARNING** Parts located in the shaded area have critical characteristics. Use only replacement parts recommended by the manufacturer.

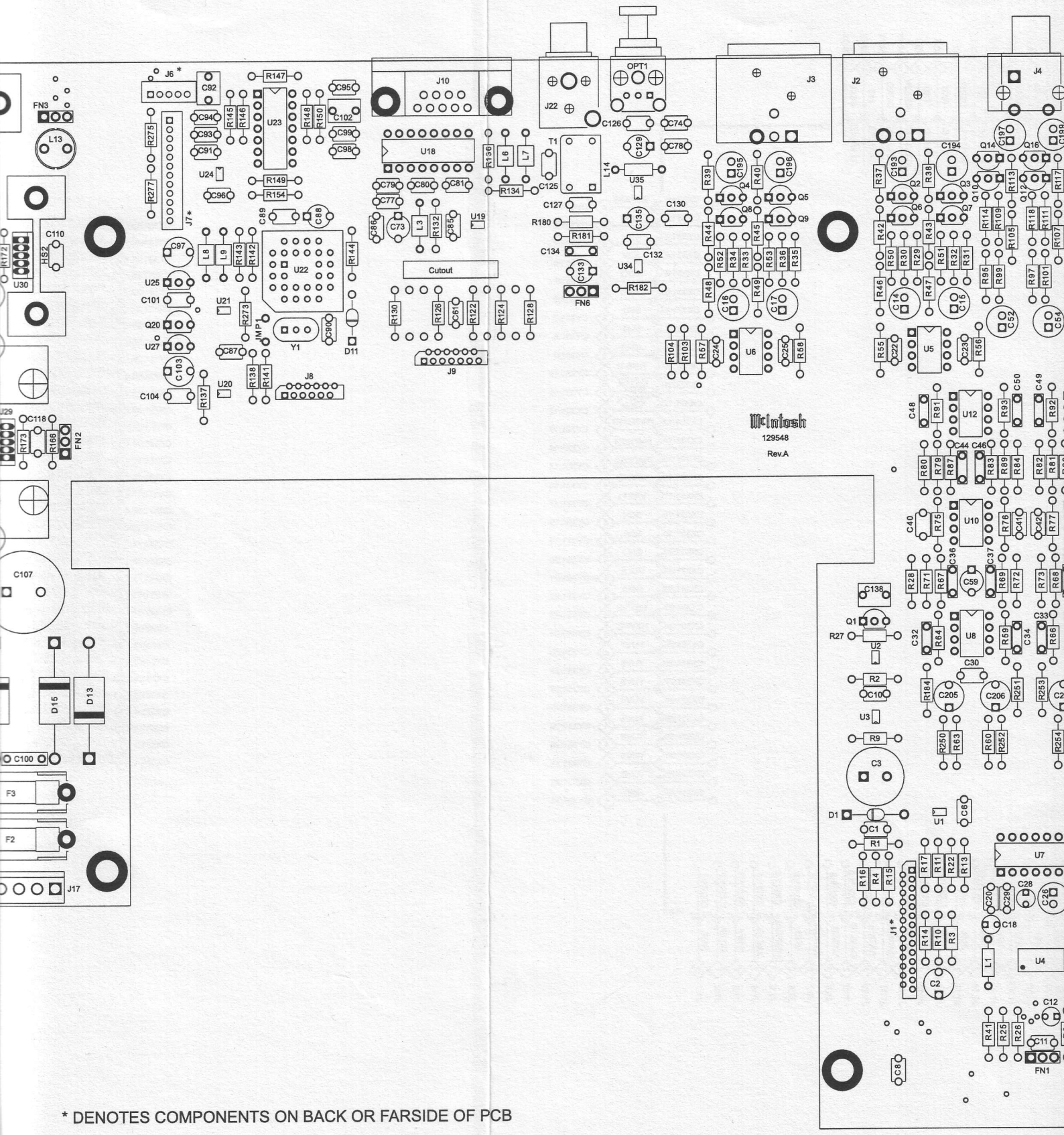


**POWER TABLE**

Ref Des	5V1	1.5V1	5V1	3.5V1	2	GND	NSSV	-11.5V	11.5V
U5							4	8	
U6	12						4	13	
U7			5				4	8	
U8							4	8	
U9							4	8	
U10							4	8	
U11							4	8	
U12							4	8	
U13							4	8	
U26			7	14					
U28			8	16					
U36		12	5				4	13	
U37							4	8	
U38							4	8	
U39							4	8	
U41		12		6			4	13	
U42							4	8	
U43							4	8	
U44							4	8	

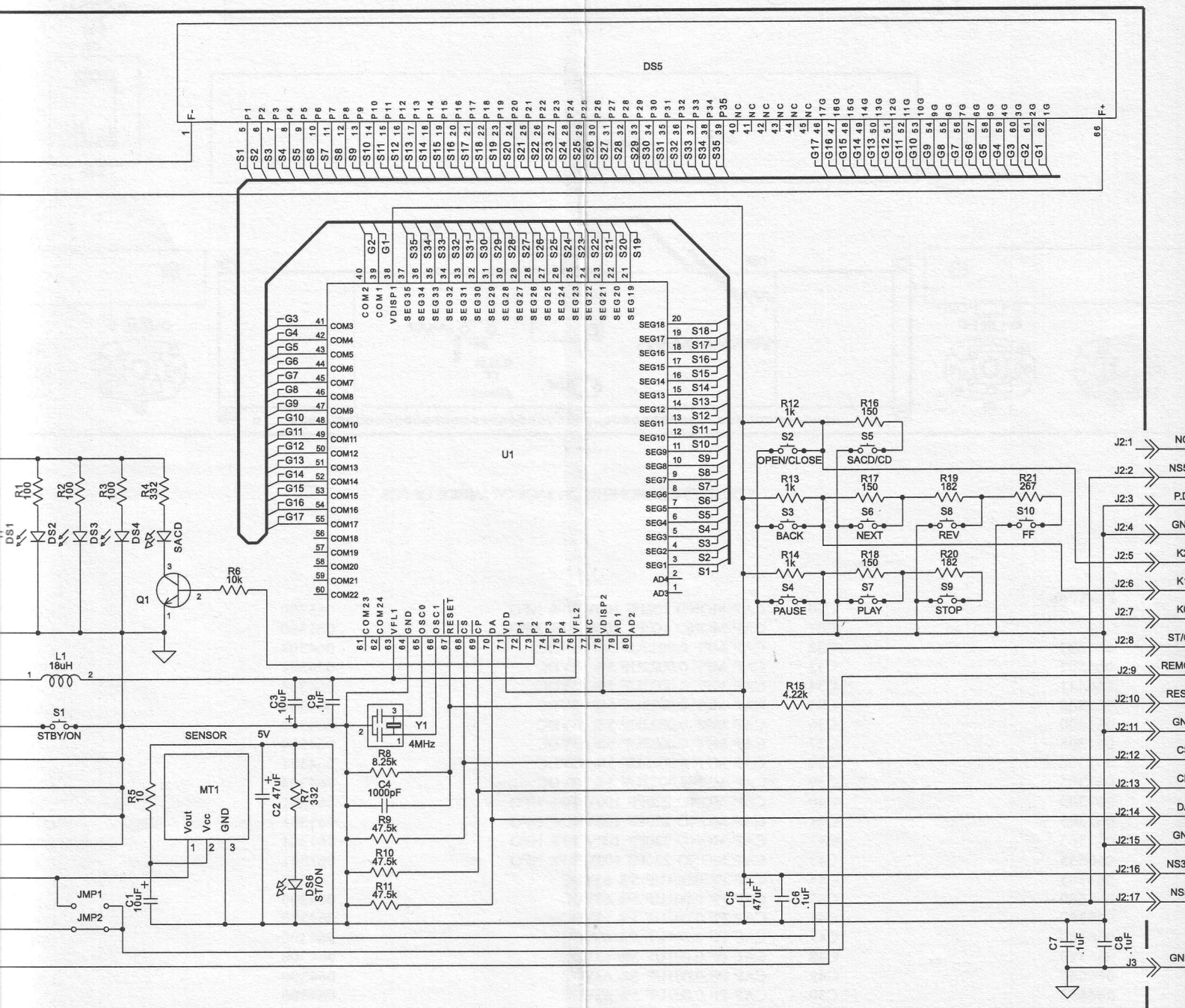




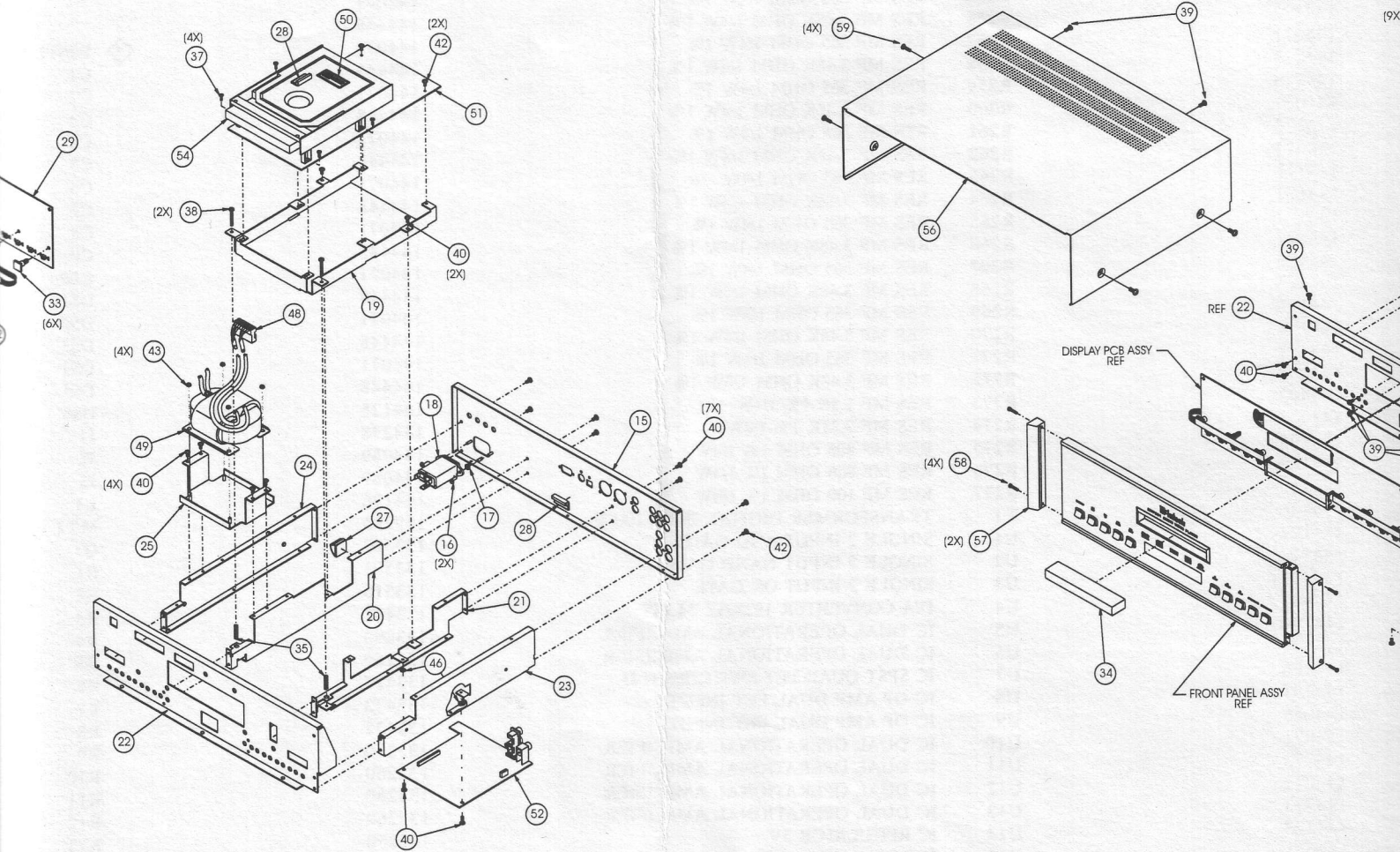


Intel  
129548  
Rev.A

\* DENOTES COMPONENTS ON BACK OR FARSIDE OF PCB



# ND PARTS LIST



GLASS

ND SLK  
PHIL

CK  
NE FILTER

19	005444	TRAY	37	100296
20	005445	FAB BRACKET LEFT	38	100300
21	005446	FAB BRACKET RIGHT	39	101054
22	005447	FAB SUBPANEL	40	101196
23	005449	FAB SIDE RIGHT	41	101197
24	005450	FAB SIDE LEFT	42	101222
25	005451	FAB BRACKET TRANSFORMER	43	102003
26	017218	FOOT PLASTIC BLACK	44	104083
27	017452	KLIP WIRE	45	104142
28	017687	CLAMP CABLE	46	104145
29	050115	ASSY PCB DISPLAY	47	112015
30	017901	LOGO PUSHBUTTON BACKLIGHT	48	117800
31	017902	SUPPORT PCB LOCKING ADHSV BASE	49	159343
32	017907	TITLE/PUSHBUTTON BACKLIGHT	50	166034
33	017933	CIRCUIT BOARD SUPPORT	51	320176
34	017963	MOLD DOOR MVP861	52	320177
35	019056	SPRING	53	050114
36	100159	SCREW MACH 10-32 X 3/4 PH PN BLK	54	320178