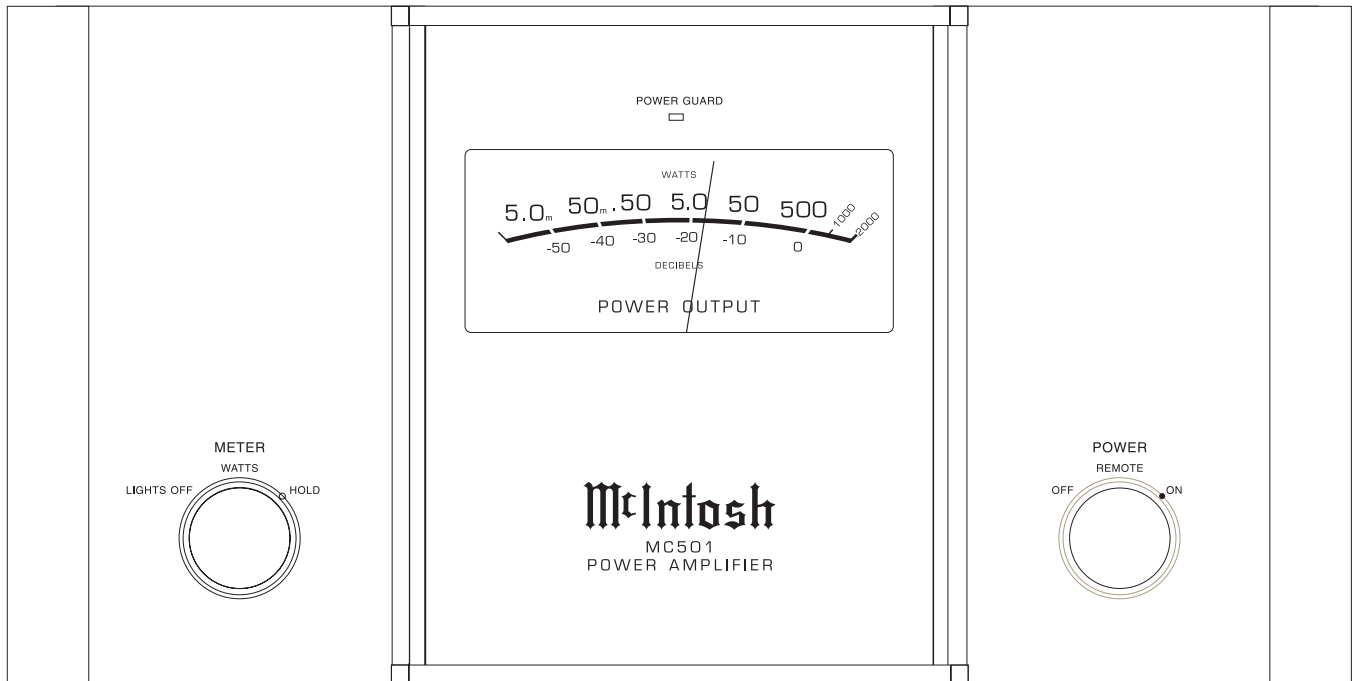




MC501

POWER AMPLIFIER



CONTENTS

Performance Specifications	2	Power Schematic and PCB	15 - 16
Notes	2	Input Schematic and PCB	17 - 18
Top and Rear Views	3	Meter/Lighting Schematic and PCB	19 - 20
Section Location	4	Parts List	21 - 24
Block Diagram	5 - 6	Exploded View and Parts List	25 - 28
Interconnection Diagram	7 - 8	Repacking Instructions	29
Driver/Heatsink Schematic and PCB	9 - 13		

SERVICE MANUAL

PERFORMANCE SPECIFICATIONS

Power Output Stereo

Minimum sine wave continuous average power output is:
500 watts into 2 ohm load
500 watts into 4 ohm load
500 watts into 8 ohm load

Output Load Impedance

2, 4 or 8 ohms

Rated Power Band

20Hz to 20,000Hz

Total Harmonic Distortion

Maximum Total Harmonic Distortion at any power level from 250 milliwatts to rated power output is 0.005%

Intermodulation Distortion

Maximum Intermodulation Distortion if instantaneous peak output per channel does not exceed twice the rated output, for any combination of frequencies from 20Hz to 20,000Hz, with all channels operating is 0.005%

Dynamic Headroom

1.8dB

Frequency Response

+0, -0.25dB from 20Hz to 20,000Hz
+0, -3dB from 10Hz to 100,000Hz

Sensitivity

2.1 Volts Unbalanced Input
4.2 Volts Balanced Input

A-Weighted Signal To Noise Ratio

97dB (124dB below rated output)

Input Impedance

10,000 ohms Unbalanced Inputs
20,000 ohms Balanced Inputs

Wide Band Damping Factor

100 (8 ohm wideband)

Power Requirements

100 Volts, 50/60Hz at 8 amps
110 Volts, 50/60Hz at 7.2 amps
120 Volts, 50/60Hz at 6.6 amps
220 Volts, 50/60Hz at 3.3 amps
230 Volts, 50/60Hz at 3.3 amps
240 Volts, 50/60Hz at 3.3 amps

Note: Refer to the rear panel of the MC501 for the correct voltage.


Overall Dimensions

17-1/2 inches (44.45cm) W, 9-7/16 inches (23.97cm) H,
14-3/4 inches (37.5cm) D, including clearance for connectors

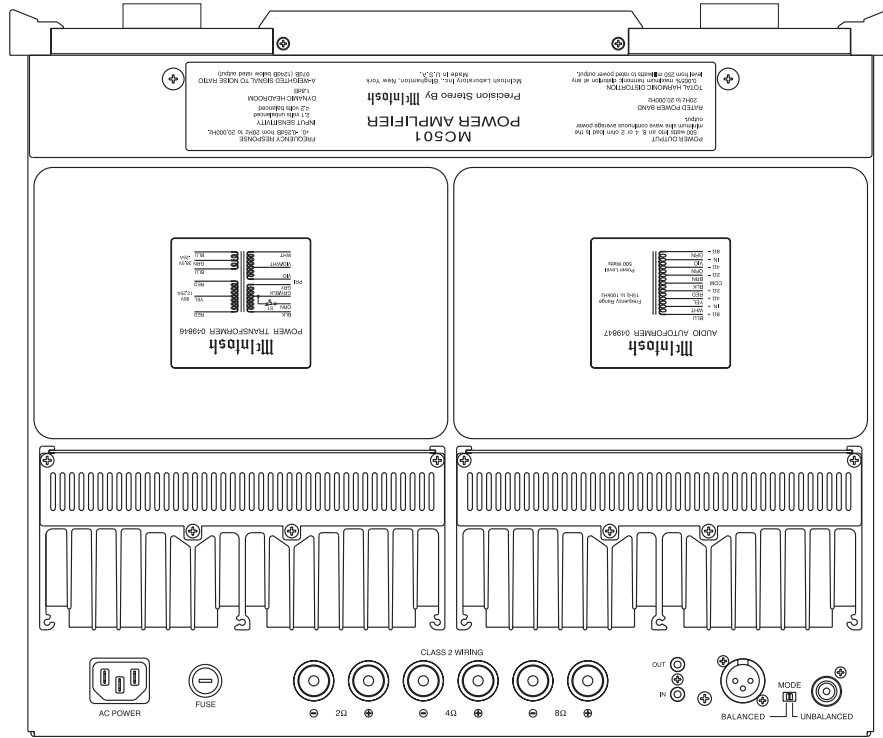
Weight

91.5 pounds (41.6kg) net, 105.5 pounds (48kg) in shipping carton

NOTES

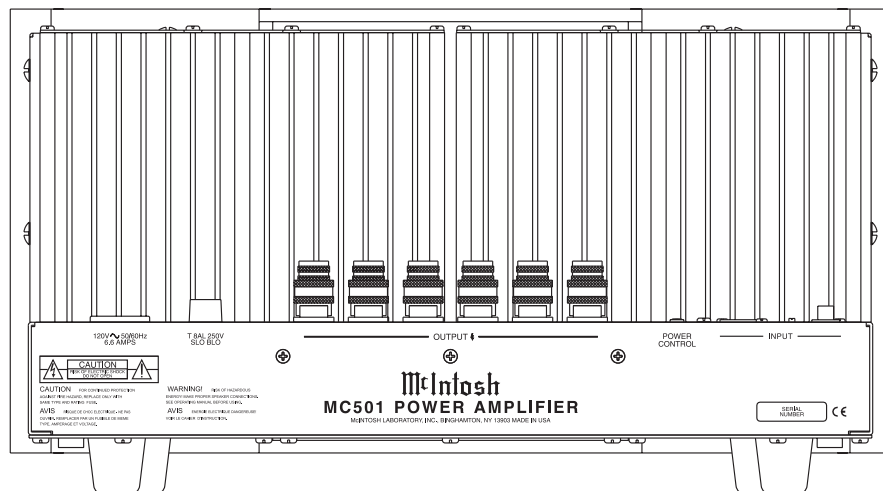
1. The heavy notes on the schematic denote the primary signal path.
2. Unless otherwise noted, all voltages indicated on the schematics are measured under the following conditions:
 - a. AC input at 120 volts, 50/60Hz.
 - b. All voltages are +/-10% with respect to ground. A high impedance (10 megaohm) voltmeter must be used.
3. Unless otherwise specified:
 - a. Resistor values are in ohms.
 - b. Capacitor values are microfarads (uF).
 - c. Inductor values are in microhenries (uH).
4. On PC board drawings, Square pad indicates:
 - a. Polarized Capacitors - Positive
 - b. Diodes - Cathode
 - c. Others - Pin 1
5. **WARNING**
Parts marked with the symbol  have critical characteristics. Use only replacement parts recommended by the manufacturer.

TOP and REAR PANEL



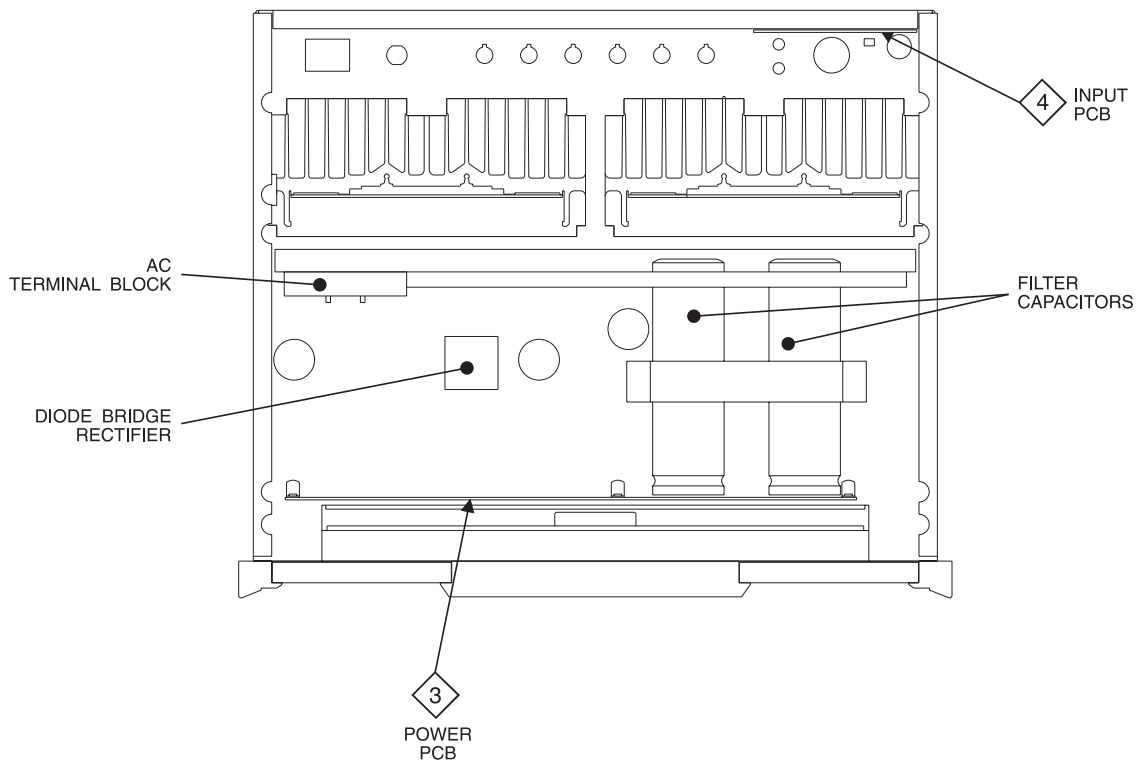
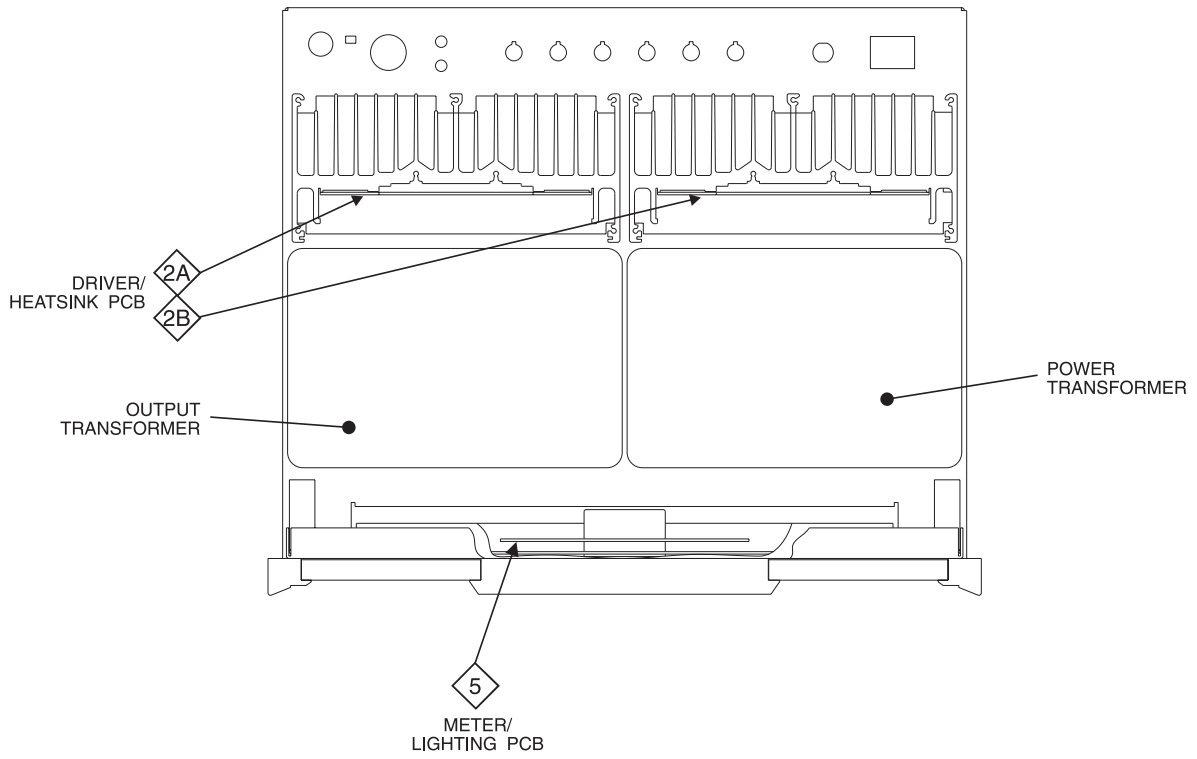
TOP VIEW

REAR VIEW



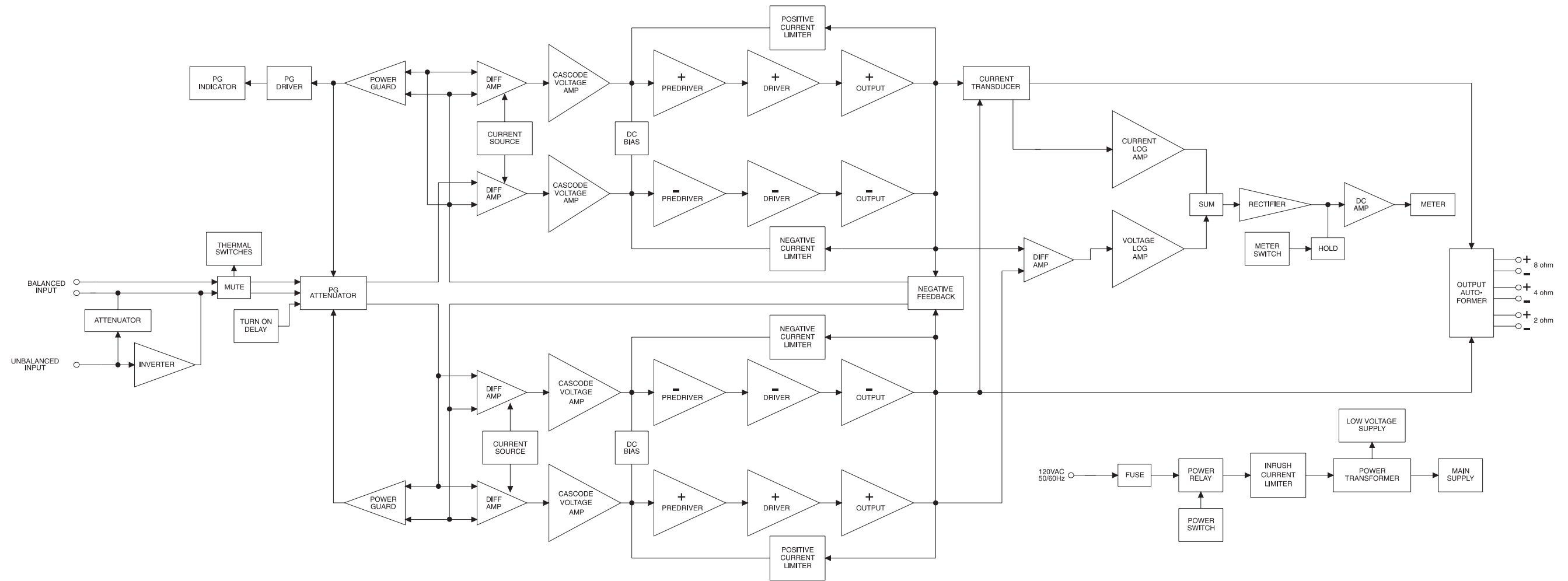
SECTION LOCATIONS

TOP VIEW WITH COVER REMOVED



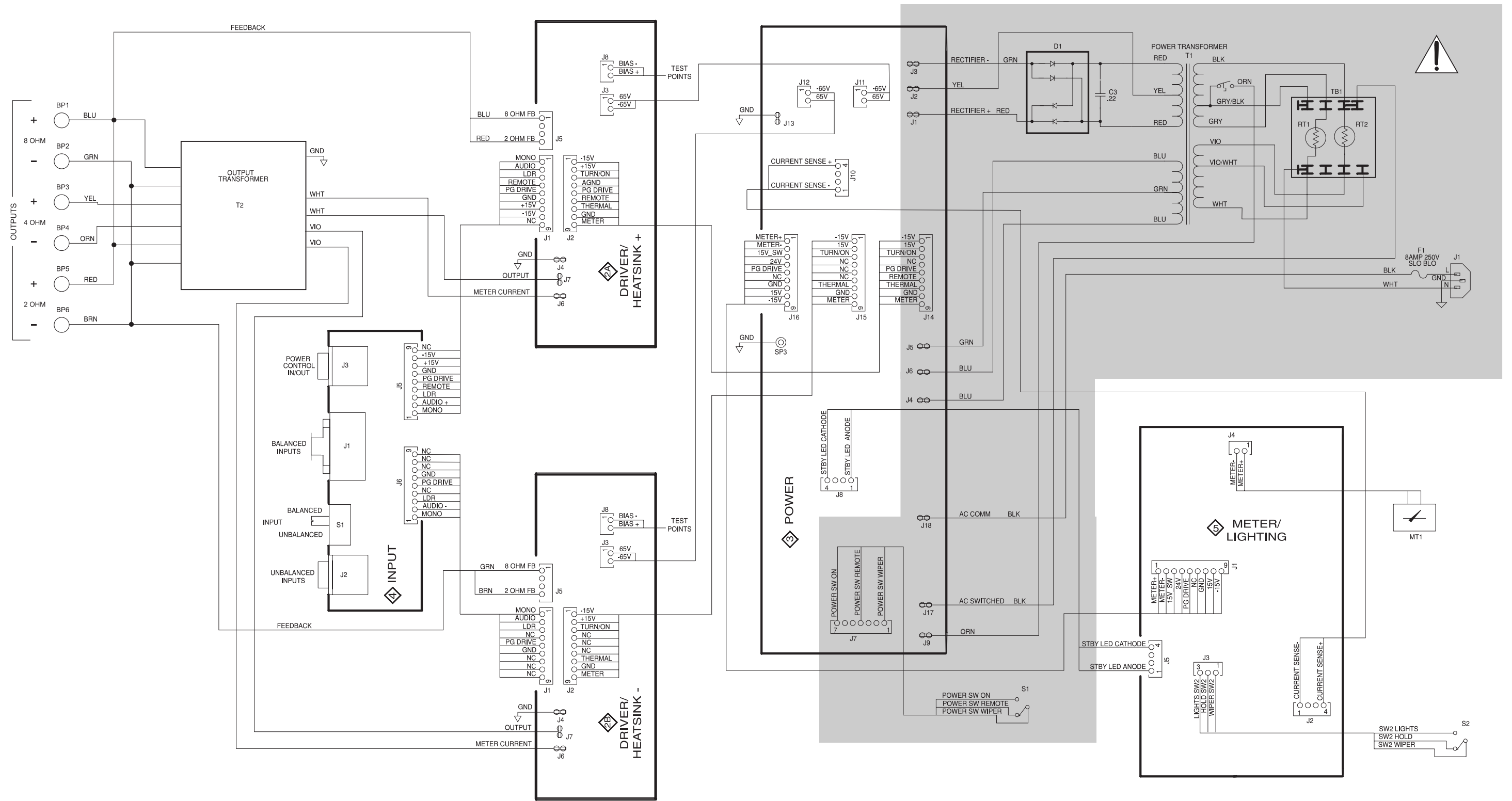
BOTTOM VIEW WITH COVER REMOVED

BLOCK DIAGRAM



1 INTERCONNECT

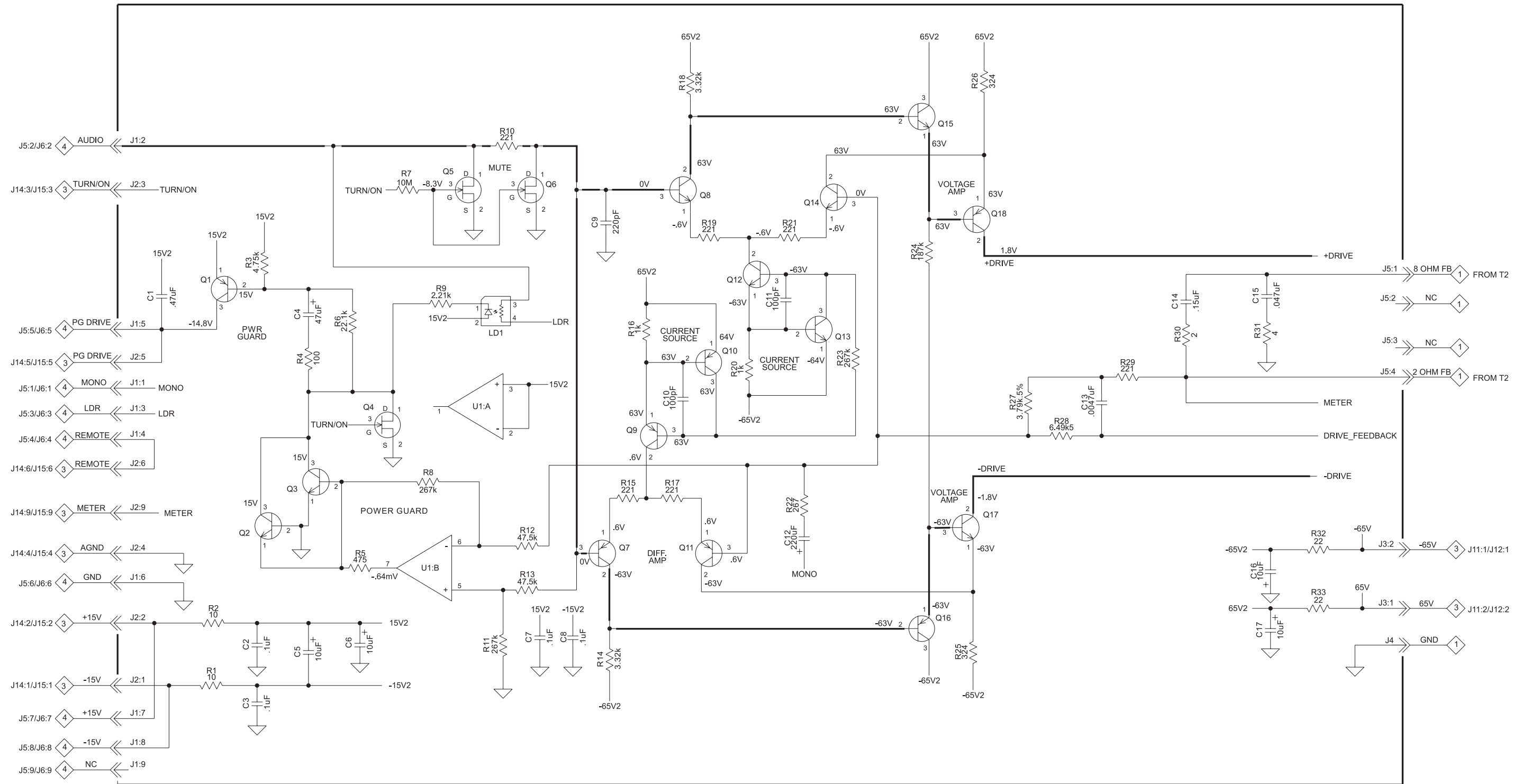
! WARNING Parts located in the shaded area have critical characteristics. Use only replacement parts recommended by the manufacturer.

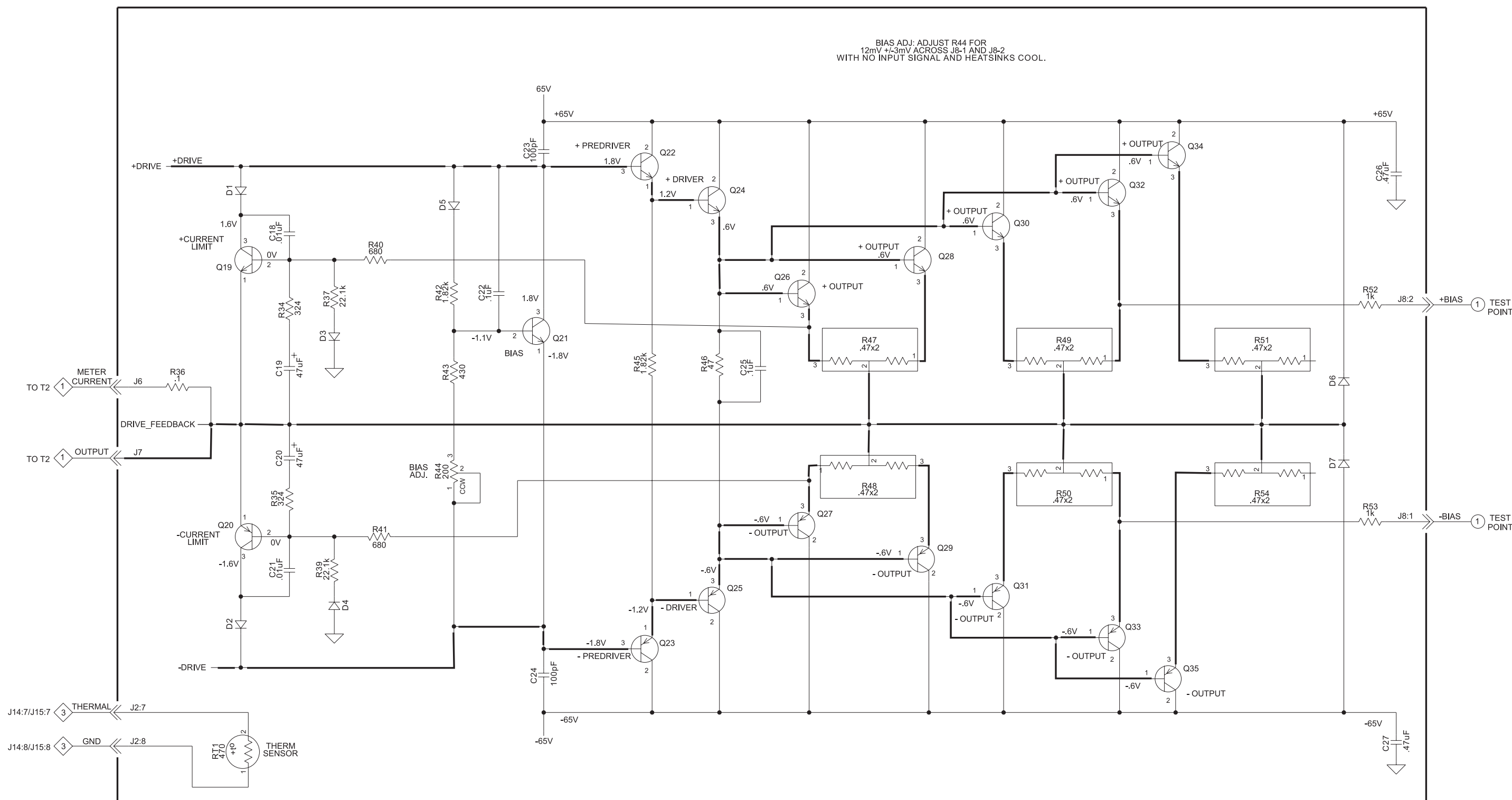


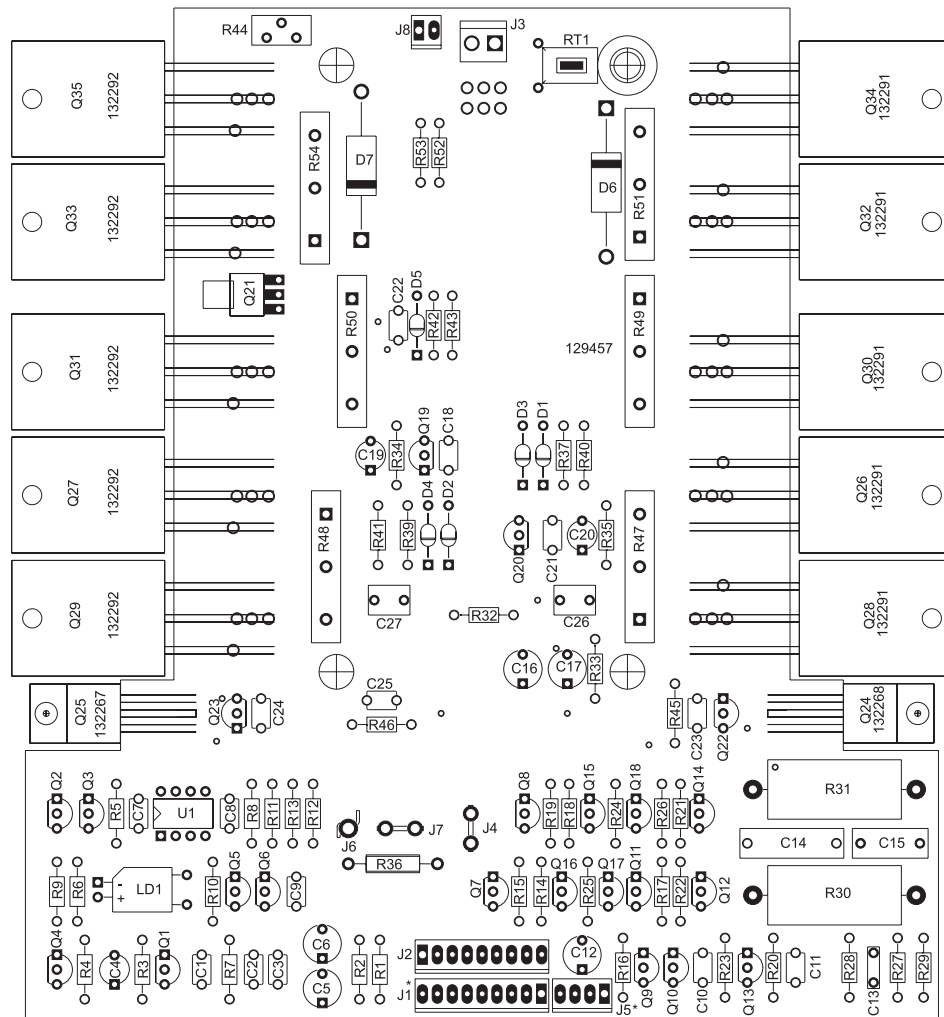


DRIVER/HEATSINK 049828

DRIVER SECTION



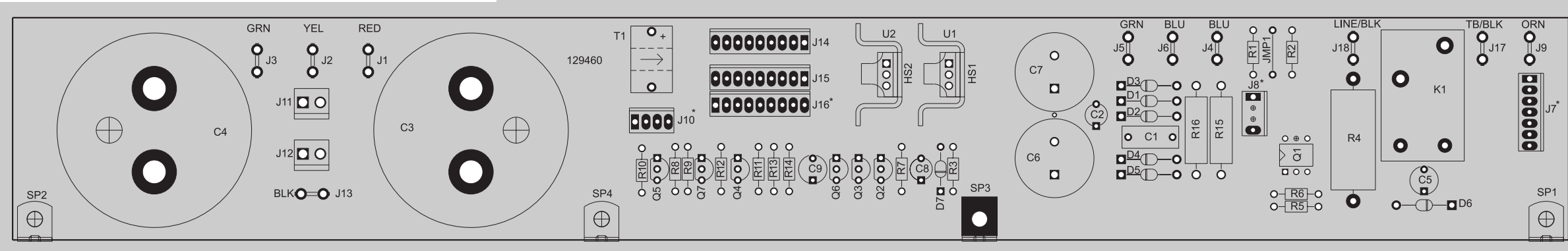
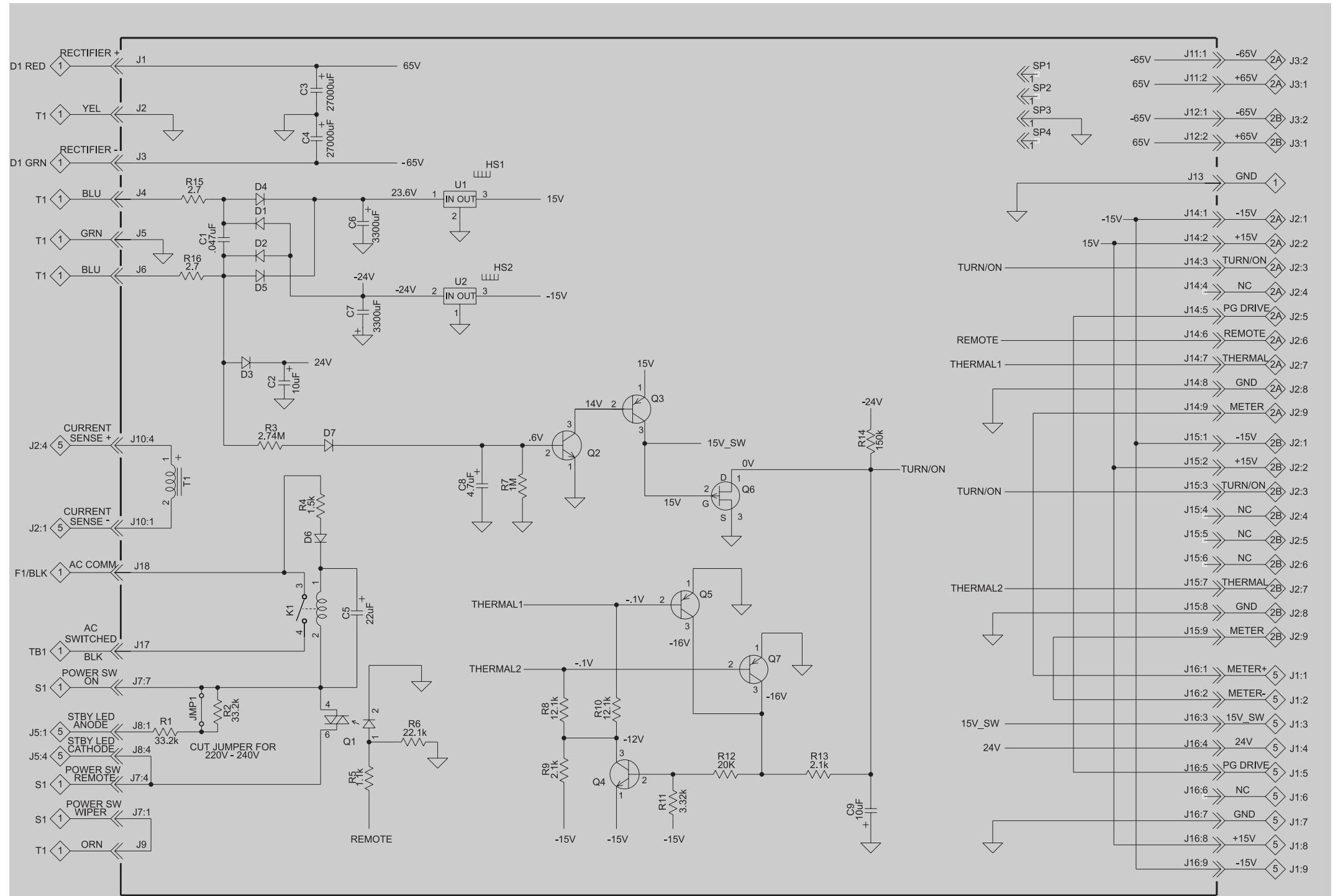




* DENOTES COMPONENTS ON BACKSIDE OR FAR SIDE OF PC BOARD.

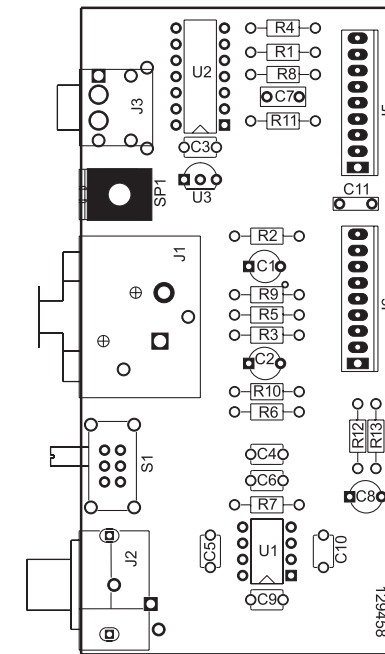
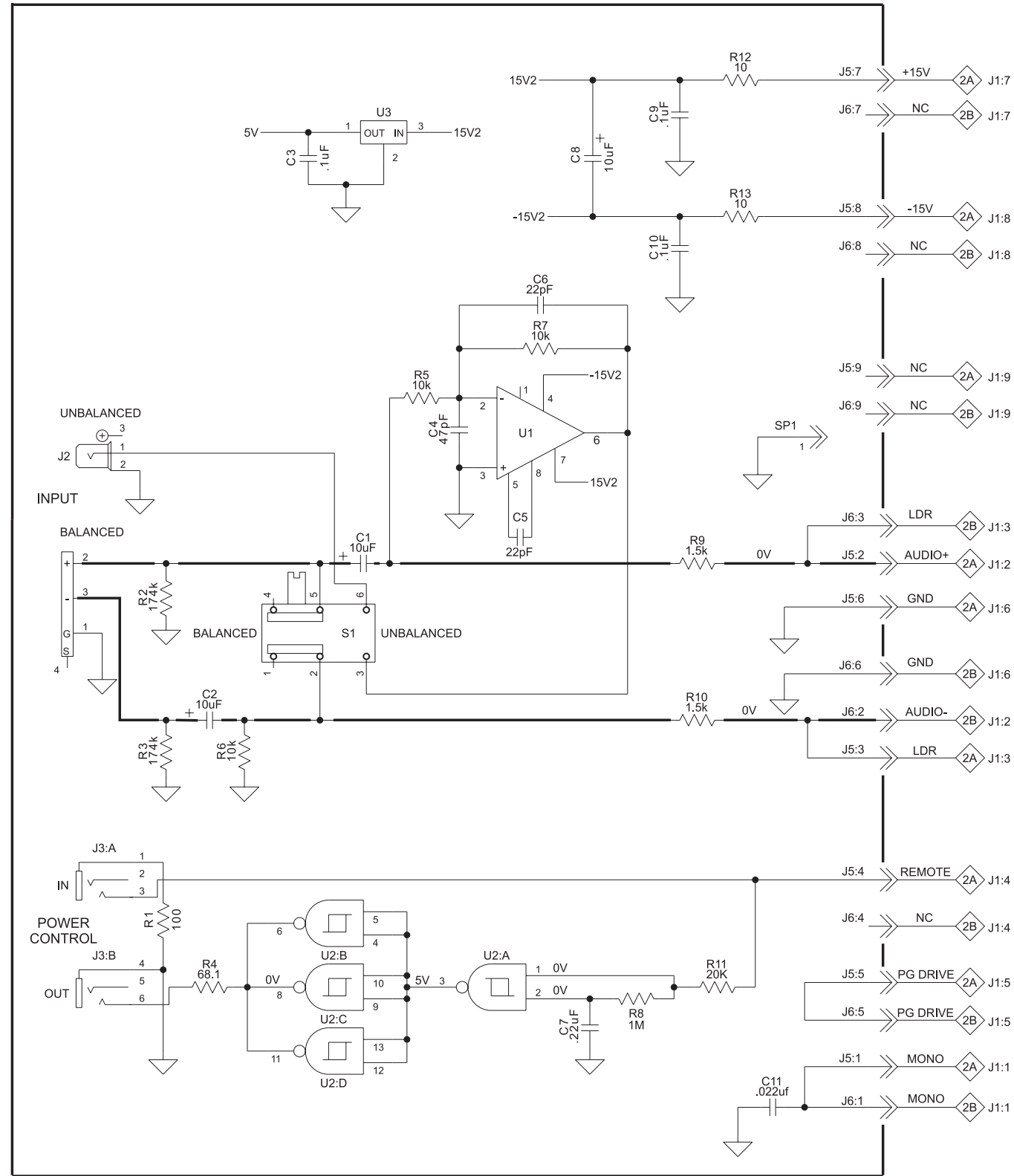
3 POWER 049831

! WARNING Parts located in the shaded area have critical characteristics. Use only replacement parts recommended by the manufacturer.

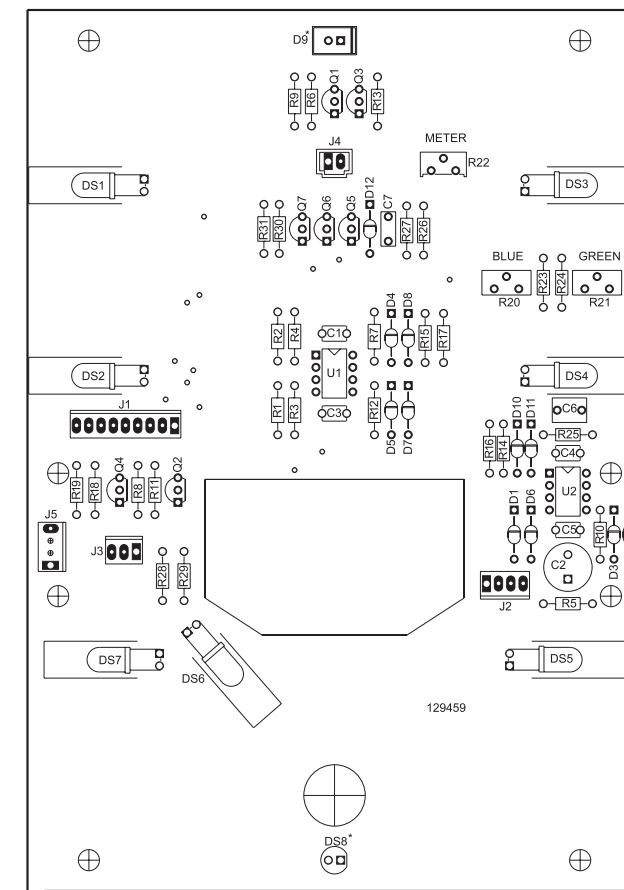
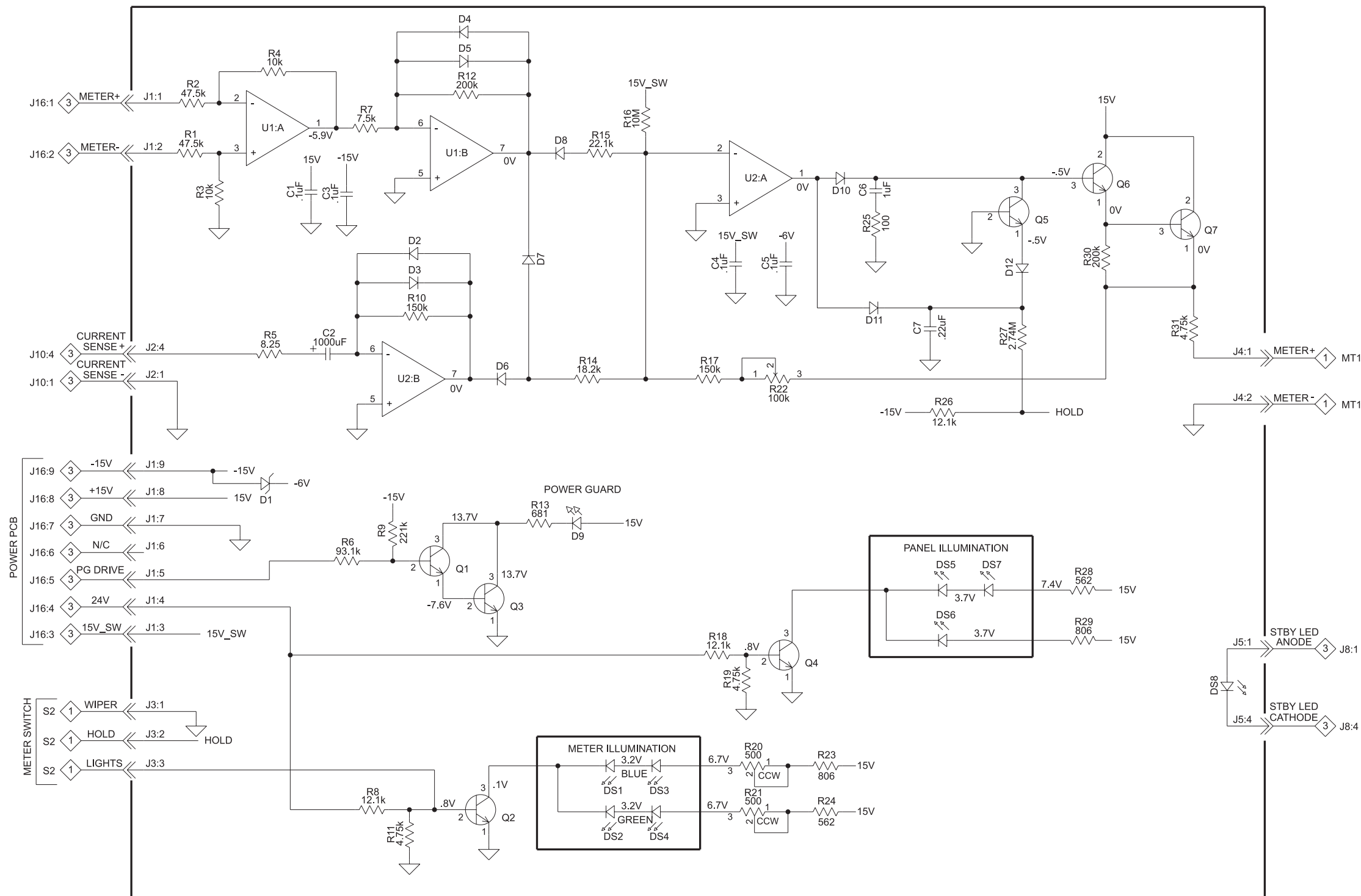


* DENOTES COMPONENTS ON BACKSIDE OF PCB

4 INPUT 049829



5 METER/LIGHTING 049830



* DENOTES COMPONENTS ON BACKSIDE OF PCB

PARTS LIST

Ref. No.	Description	Part No.							
①	INTERCONNECT								
BP1	BINDING POST, RED	117740	J4	BLADE FASTON W/FEET	117708	R16	RES MF 1K 1% 1/4W	144090	
BP2	BINDING POST, BLK	117741	J5	CONN 4 PIN	117215	R17	RES MF 221 OHM 1% 1/4W	144172	
BP3	BINDING POST, RED	117740	J6	BLADE FASTON .110	117712	R18	RES MF 3.32K 1/4W	144095	
BP4	BINDING POST, BLK	117741	J7	BLADE FASTON W/FEET	117708	R19	RES MF 221 OHM 1% 1/4W	144172	
BP5	BINDING POST, RED	117740	J8	CONN 2 PIN MALE	117213	R20	RES MF 1K 1% 1/4W	144090	
BP6	BINDING POST, BLK	117741	LD1	LDR NETWORK VTL5C9	144179	R21	RES MF 221 OHM 1% 1/4W	144172	
DI	DIODE, BRIDGE RECTIFIER	070139	Q1	TRANSISTOR PNP	132224	R22	RES MF 267 OHM 1/4W	144173	
F1	FUSE	089105	Q2	TRANSISTOR NPN	132223	R23	RES MF 267K 1% 1/4W	144118	
J1	RECEPTACLE, AC LINE	117487	Q3	TRANSISTOR NPN	132223	R24	RES MF 187K 1% 1/4W	144406	
MT1	METER	124086	Q4	TRANSISTOR N JFET	132222	R25	RES MF 324 OHM 1% 1/4W	144338	
RT1	THERMISTER ASSY	052008	Q5	TRANSISTOR N JFET	132222	R26	RES MF 324 OHM 1% 1/4W	144338	
RT2	THERMISTER ASSY	052008	Q6	TRANSISTOR N JFET	132222	R27	RES MF 3.79k .1	144398	
S1	SWITCH	146243	Q7	TRANSISTOR NPN POWER	132255	R28	RES MF 6.49K .5/4W	144401	
S2	SWITCH	146243	Q8	TRANSISTOR SI NPN 25V	132254	R29	RES MF 221 OHM 1/4W	144172	
T1	TRANSFORMER, POWER	049846	Q9	TRANSISTOR NPN POWER	132255	R30	RES WW 2 OHM 10% 5W	139005	
T2	TRANSFORMER, OUTPUT	049847	Q10	TRANSISTOR PNP	132224	R31	RES WW 4 OHM 5W	139119	
TB1	TERMINAL BLOCK AC	074091	Q11	TRANSISTOR NPN POWER	132255	R32	RES FP 22 OHM 1/4W 5	137033	
			Q12	TRANSISTOR SI NPN 25V	132254	R33	RES FP 22 OHM 1/4W 5	137033	
			Q13	TRANSISTOR NPN	132223	R34	RES MF 324 OHM 1/4W	144338	
②A	DRIVER/HEATSINK PCB 049828								
②B	C1	CAP MONO 470PF 100V 10PO	061302	Q14	TRANSISTOR SI NPN 25V	132254	R35	RES MF 324 OHM 1/4W	144338
	C2	CAP MONO .1uF 50V 20% Z5U	061305	Q15	TRANSISTOR NPN	132223	R36	RES WW 0.1 OHM 5W	144243
	C3	CAP MONO .1uF 50V 20% Z5U	061305	Q16	TRANSISTOR PNP	132224	R37	RES MF 22.1K 1/4W	144187
	C4	CAP ELECT 47UF 35V	066446	Q17	TRANSISTOR NPN 25C3334C	132285	R39	RES MF 22.1K 1/4W	144187
	C5	CAP ELECT 10UF 100VDC	066462	Q18	TRANSISTOR PNP 2SA32IC	132286	R40	RES MET OX 680 OHM 5% .5W	137093
	C6	CAP ELECT 10UF 100VDC	066462	Q19	TRANSISTOR NPN SILICON	132171	R41	RES MET OX 680 OHM 5% .5W	137093
	C7	CAP MONO .1uF 50V 20% Z5U	061305	Q20	TRANSISTOR PNP SILICON	132172	R42	RES MF 1.82K 1% 1/4W	144296
	C8	CAP MONO .1uF 50V 20% Z5U	061305	Q21	TRANSISTOR NPN	132223	R43	RES MET OX 430 OHM 5% .5W	137095
	C9	CAP MONO 220PF 100V 10PO	061301	Q22	TRANSISTOR NPN 25C3334C	132285	R44	POT TRIM 200 OHM 20% HORIZ AD	134390
	C10	CAP MONO 100PF 100V 10% NPO	061300	Q23	TRANSISTOR PNP 2SA32IC	132286	R45	RES MF 1.82K 1% 1/4W	144296
	C11	CAP MONO 100PF 100V 10% NPO	061300	Q24	TRANSISTOR NPN	132268	R46	RES MET OX 47 OHM 5% .5W	137096
	C12	CAP ELECT 220UF 25V	066507	Q25	TRANSISTOR PNP	132267	R47	RES WW DUAL .47 OHM 5% 5W	139199
	C13	CAP MPF 0.0047UF 5VDC	064308	Q26	TRANSISTOR NPN POWER 2SC5200	132291	R48	RES WW DUAL .47 OHM 5% 5W	139199
	C14	CAP POLYPROP 0.15UF 10VDC	064363	Q27	TRANSISTOR PNP POWER 2SA1943	132292	R49	RES WW DUAL .47 OHM 5% 5W	139199
	C15	CAP POLYPROP .047UF 10VDC	064364	Q28	TRANSISTOR NPN POWER 2SC5200	132291	R50	RES WW DUAL .47 OHM 5% 5W	139199
	C16	CAP ELECT 10UF 100VDC	066462	Q29	TRANSISTOR PNP POWER 2SA1943	132292	R51	RES WW DUAL .47 OHM 5W	139199
	C17	CAP ELECT 10UF 100VDC	066462	Q30	TRANSISTOR NPN POWER 2SC5200	132291	R52	RES MF 1K 1% 1/4W	144090
	C18	CAP MONO .01UF 50V 20% X7R	061304	Q31	TRANSISTOR PNP POWER 2SA1943	132292	R53	RES MF 1K 1% 1/4W	144090
	C19	CAP ELECT 47UF 35V	066446	Q32	TRANSISTOR NPN POWER 2SC5200	132291	R54	RES WW DUAL .47 OHM 5W	139199
	C20	CAP ELECT 47UF 35V	066446	Q33	TRANSISTOR PNP POWER 2SA1943	132292	RT1	SENSOR THERMAL	144249
	C21	CAP MONO .01UF 50V 20% X7R	061304	Q34	TRANSISTOR NPN POWER 2SC5200	132291	U1	IC OPAMP NE4558N	133028
	C22	CAP MONO .1uF 50V 20% Z5U	061305	Q35	TRANSISTOR PNP POWER 2SA1943	132292			
	C23	CAP MONO 100PF 100V 10PO	061300	R1	RES MF 10 OHM 1% 1/4W	144157			
	C24	CAP MONO 100PF 100V 10% NPO	061300	R2	RES MF 10 OHM 1/4W	144157	③	POWER PCB 049831	
	C25	CAP MONO .1uF 50V 20% Z5U	061305	R3	RES MF 4.75K 1% 1/4W	144097	C1	CAP POLYPROP .047UF 10% 250VDC	064364
	C26	CAP MPF 0.47UF 5/100VDC	064442	R4	RES MF 100 OHM 1% 1/4W	144196	C2	CAP ELECT 10UF 50V	066445
	C27	CAP MPF 0.47UF 5/100VDC	064442	R5	RES MF 475 OHM 1% 1/4W	144086	C3	27000uF 100V Electrolytic	066489
	D1	DIODE SILICON	070047	R6	RES MF 22.1K 1% 1/4W	144187	C4	27000uF 100V Electrolytic	066489
	D2	DIODE SILICON	070047	R7	RES MF 10M 1% 1/4W	144264	C5	CAP ELECT 22UF 100V	066506
	D3	DIODE SILICON	070047	R8	RES MF 267K 1% 1/4W	144118	C6	CAP ELECT 3300UF 35V	066509
	D4	DIODE SILICON	070047	R9	RES MF 2.21K 1% 1/4W	144298	C7	CAP ELECT 3300UF 35V	066509
	D5	DIODE SILICON	070047	R10	RES MF 221 OHM 1% 1/4W	144172	C8	CAP ELECT 4.7UF 50V	066512
	D6	DIODE 200V 3A	070126	R11	RES MF 267K 1% 1/4W	144118	C9	CAP ELECT 10UF 100VDC	066462
	D7	DIODE 200V 3A	070126	R12	RES MF 47.5K 1% 1/4W	144108	D1	DIODE RECTIFIER	070131
	J1	CONN MALE 9 POS FRICTION LOCK	117244	R13	RES MF 47.5K 1/4W	144108	D2	DIODE RECTIFIER	070131
	J2	CONN MALE 9 POS FRICTION LOCK	117244	R14	RES MF 3.32K 1% 1/4W	144095	D3	DIODE RECTIFIER	070131
	J3	CONN HEADER 2 PIN 0.156	117404	R15	RES MF 221 OHM 1% 1/4W	144172	D4	DIODE RECTIFIER	070131

PARTS LIST con't

D5	DIODE RECTIFIER	070131
D6	DIODE RECTIFIER	070131
D7	DIODE SILICON	070047
HS1	HEATSINK T0220	080014
HS2	HEATSINK T0220	080014
J1	BLADE FASTON W/FEET	117708
J2	BLADE FASTON W/FEET	117708
J3	BLADE FASTON W/FEET	117708
J4	BLADE FASTON W/FEET	117708
J5	BLADE FASTON W/FEET	117708
J6	BLADE FASTON W/FEET	117708
J7	CONN MALE 7 PIN	117217
J8	CONN 4 PIN	117215
J9	BLADE FASTON W/FEET	117708
J10	CONN 4 PIN	117215
J11	CONN HEADER 2 PIN 0.156	117404
J12	CONN HEADER 2 PIN 0.156	117404
J13	BLADE FASTON W/FEET	117708
J14	CONN MALE 9 POS FRICTION LOCK	117244
J15	CONN MALE 9 POS FRICTION LOCK	117244
J16	CONN MALE 9 POS FRICTION LOCK	117244
J17	BLADE FASTON W/FEET	117708
J18	BLADE FASTON W/FEET	117708
K1	RELAY 48V 18.8ma 2560 ohms	087052
Q1	TRIAC DRIVER OPTOCOUPLER 600V	131022
Q2	TRANSISTOR NPN	132223
Q3	TRANSISTOR PNP	132224
Q4	TRANSISTOR NPN	132223
Q5	TRANSISTOR PNP	132224
Q6	TRANSISTOR P CHAN JUNCTION FET	132226
Q7	TRANSISTOR PNP	132224
R1	RES MF 33.2K 1% 1/4W	144015
R2	RES MF 33.2K 1% 1/4W	144015
R3	RES MF 2.74M 1/4W	144271
R4	RES WW 1.5K 10% 5W	139079
R5	RES MF 1.1K 1% 1/4W	144091
R6	RES MF 22.1K 1% 1/4W	144187
R7	RES MF 1M 1/4W	144269
R8	RES MF 12.1K 1% 1/4W	144154
R9	RES MF 2.1K 1% 1/4W	144299
R10	RES MF 12.1K 1% 1/4W	144154
R11	RES MF 3.32K 1% 1/4W	144095
R12	RES MF 20K 1% 1/4W	144104
R13	RES MF 2.1K 1% 1/4W	144299
R14	RES MF 150K 1% 1/4W	144419
R15	RES WW 2.7 OHM 10W	139173
R16	RES WW 2.7 OHM 10W	139173
SP1	BRACKET PCB CARD MOUNTING	003611
SP2	BRACKET PCB CARD MOUNTING	003611
SP3	BRACKET PCB CARD MOUNTING	003611
SP4	BRACKET PCB CARD MOUNTING	003611
T1	H7919-A	159215
U1	IC REGULATOR 15V	133154
U2	IC REGULATOR -15V	133153

4	INPUT PCB 049829	
C1	CAP ELECT 10UF 50V	066445

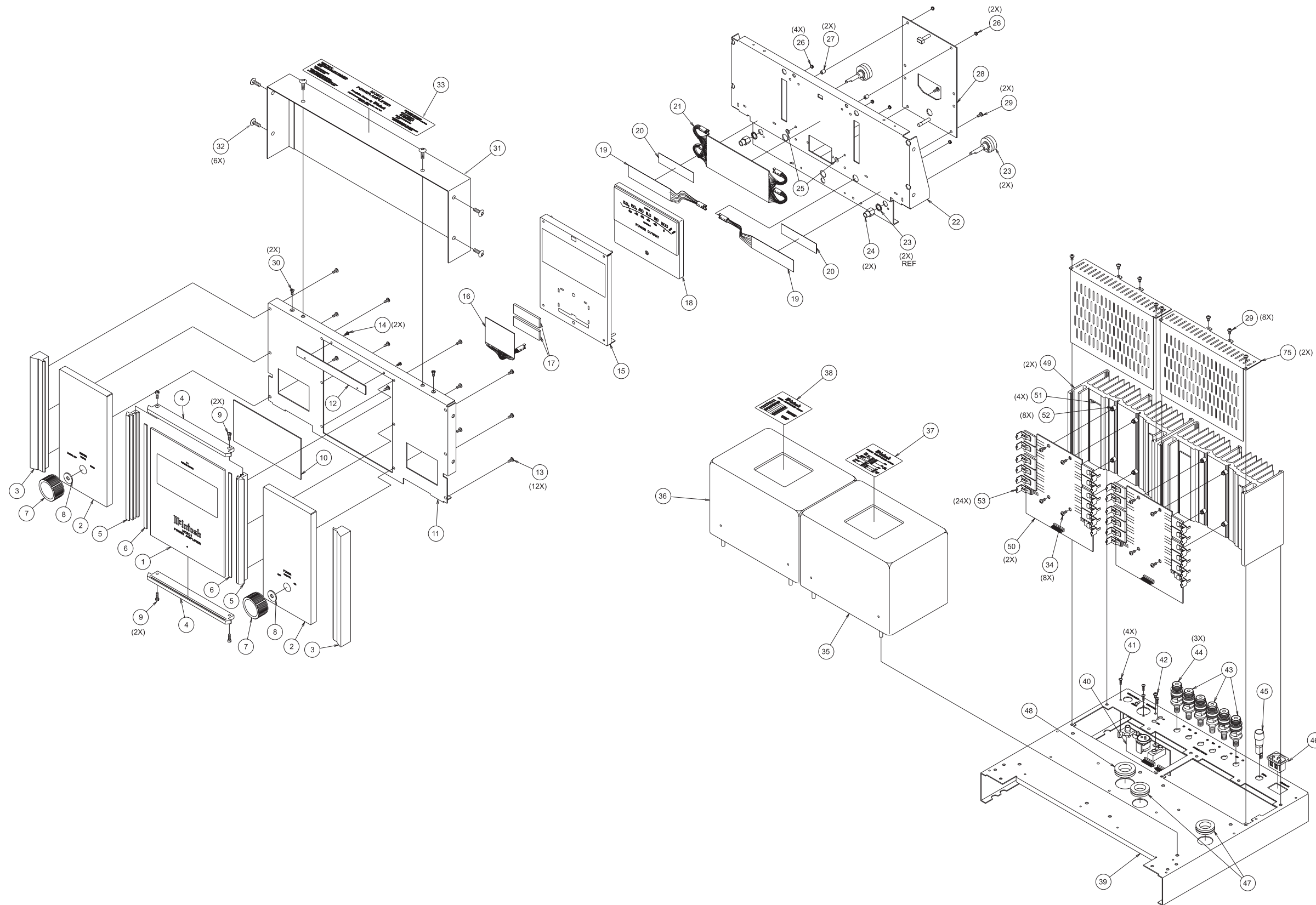
C2	CAP ELECT 10UF 50V	066445
C3	CAP MONO .1uF 50V 20% Z5U	061305
C4	CAP MONO 47PF 200V 10% NPO	061299
C5	CAP MONO 22PF 200V 10% NPO	061298
C6	CAP MONO 22PF 200V 10% NPO	061298
C7	CAP MPF 0.22UF 5% 63VDC	064329
C8	CAP ELECT 10UF 50V	066445
C9	CAP MONO .1uF 50V 20% Z5U	061305
C10	CAP MONO .1uF 50V 20% Z5U	061305
C11	CAP MPF 0.022UF 5% 63VDC	064316
J1	XLR FEMALE HORIZ PCB WITH LATCH	117814
J2	JACK RCA 1P RED	117706
J3	JACK HEADPHONE DUAL BLACK 1/8	117825
J5	CONN MALE 9 POS FRICTION LOCK	117244
J6	CONN MALE 9 POS FRICTION LOCK	117244
R1	RES MF 100 OHM 1% 1/4W	144196
R2	RES MF 174K 1% 1/4W	144352
R3	RES MF 174K 1% 1/4W	144352
R4	RES MF 68.1 OHM 1% 1/4W	144082
R5	RES MF 10K 1% 1/4W	144053
R6	RES MF 10K 1% 1/4W	144053
R7	RES MF 10K 1% 1/4W	144053
R8	RES MF 1M 1/4W	144269
R9	RES MF 1.5K 1% 1/4W	144128
R10	RES MF 1.5K 1% 1/4W	144128
R11	RES MF 20K 1% 1/4W	144104
R12	RES MF 10 OHM 1% 1/4W	144157
R13	RES MF 10 OHM 1% 1/4W	144157
S1	SWITCH SLIDE	148059
SP1	BRACKET PCB CARD MOUNTING	003611
U1	IC OPERATIONAL AMP LOW NOISE	133067
U2	IC NAND SCHMIT 2-IN X 4	133192
U3	IC REGULATOR +5 VOLT	133093

5 METER/LIGHTS PCB 049830

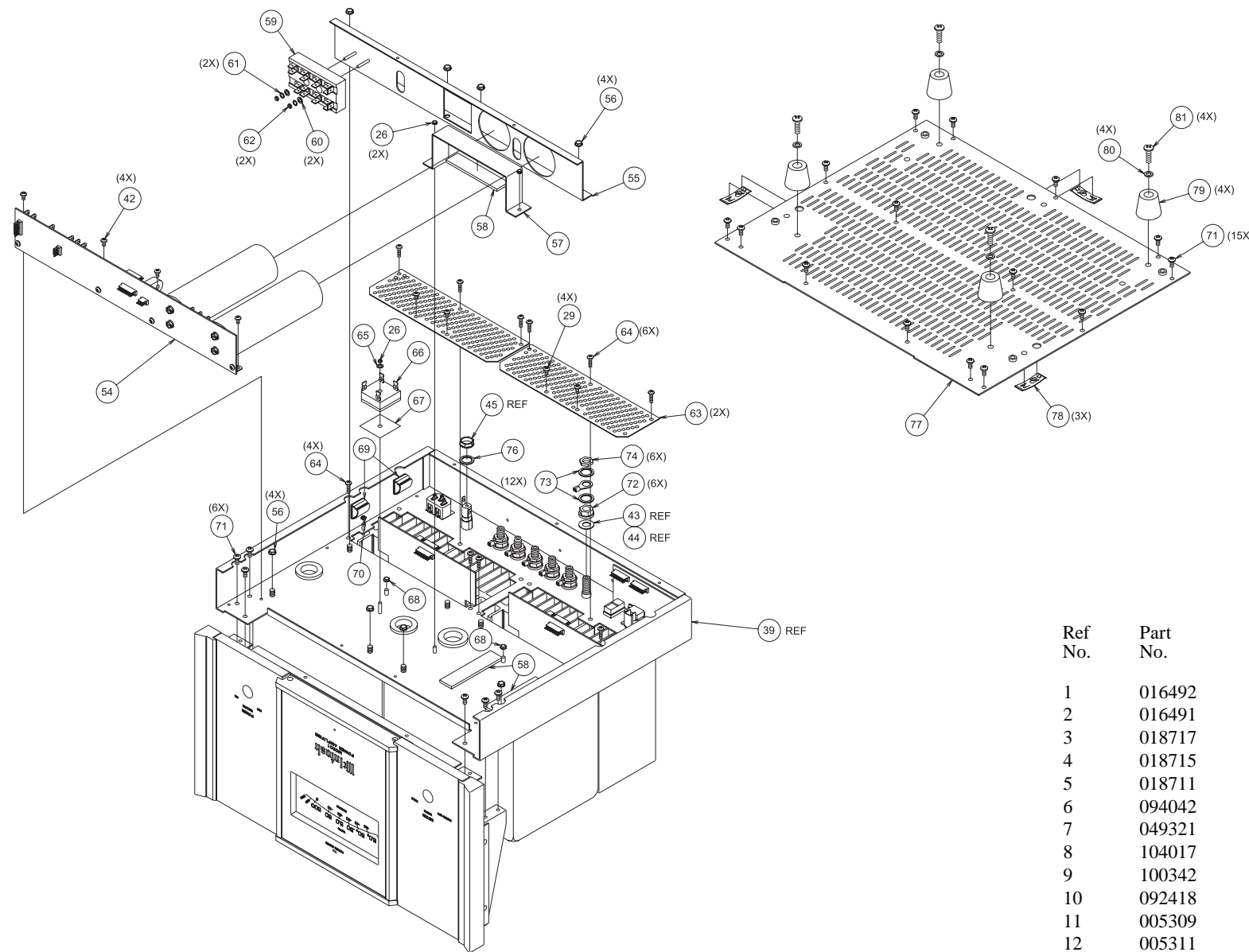
C1	CAP MONO .1uF 50V 20% Z5U	061305
C2	CAP ELECT 1000UF 25V	066513
C3	CAP MONO .1uF 50V 20% Z5U	061305
C4	CAP MONO .1uF 50V 20% Z5U	061305
C5	CAP MONO .1uF 50V 20% Z5U	061305
C6	CAP MPF 0.1UF 100V	064337
C7	CAP MPF 0.22UF 5% 63VDC	064329
D1	DIODE ZENER 8.2V 1/2W	070130
D2	DIODE SILICON	070047
D3	DIODE SILICON	070047
D4	DIODE SILICON	070047
D5	DIODE SILICON	070047
D6	DIODE SILICON	070047
D7	DIODE SILICON	070047
D8	DIODE SILICON	070047
D9	LED AMBER	058133
D10	DIODE SILICON	070047
D11	DIODE SILICON	070047
D12	DIODE SILICON	070047
DS1	LED BLUE 5MM HI-INT VF[V] 3.6	058166
DS2	LED GREEN 5MM HI-INTEN VF[V] 3.5	058165
DS3	LED BLUE 5MM HI-INT VF[V] 3.6	058166

DS4	LED GREEN 5MM HI-INT VF[V] 3.5	058165
DS5	LED GREEN 5MM HI-INT VF[V] 3.5	058165
DS6	LED GREEN 5MM HI-INT VF[V] 3.5	058165
DS7	LED GREEN 5MM HI-INT VF[V] 3.5	058165
DS8	LED RED HIGH EFFICIENCY	058148
J1	CONN MALE 9 POS FRICTION LOCK	117244
J2	CONN 4 PIN	117215
J3	CONN 3 POS MALE MTS100 NORMAL	117214
J4	HEADER 2 PIN LATCHING	117766
J5	CONN 4 PIN	117215
Q1	TRANSISTOR NPN	132223
Q2	TRANSISTOR NPN	132223
Q3	TRANSISTOR NPN	132223
Q4	TRANSISTOR NPN	132223
Q5	TRANSISTOR NPN	132223
Q6	TRANSISTOR SI NPN 25V	132254
Q7	TRANSISTOR SI NPN 25V	132254
R1	RES MF 47.5K 1% 1/4W	144108
R2	RES MF 47.5K 1% 1/4W	144108
R3	RES MF 10K 1% 1/4W	144053
R4	RES MF 10K 1% 1/4W	144053
R5	RES MF 8.25 OHM 1/4W	144171
R6	RES MF 93.1K 1/4W	144417
R7	RES MF 7.5K 1% 1/4W	144210
R8	RES MF 12.1K 1% 1/4W	144154
R9	RES MF 221K 1/4W	144421
R10	RES MF 150K 1% 1/4W	144419
R11	RES MF 4.75K 1% 1/4W	144097
R12	RES MF 200K 1% 1/4W	144117
R13	RES MF 681 OHM 1% 1/4W	144195
R14	RES MF 18.2K 1/4W	144181
R15	RES MF 22.1K 1% 1/4W	144187
R16	RES MF 10M 1% 1/4W	144264
R17	RES MF 150K 1% 1/4W	144419
R18	RES MF 12.1K 1% 1/4W	144154
R19	RES MF 4.75K 1% 1/4W	144097
R20	POT TRIM 500 OHM 20% HORIZ ADJ	134410
R21	POT TRIM 500 OHM 20% HORIZ ADJ	134410
R22	POT TRIM 100K OHM 20%	134383
R23	RES MF 221 OHM 1% 1/4W	144172
R24	RES MF 221 OHM 1% 1/4W	144172
R25	RES MF 100 OHM 1% 1/4W	144196
R26	RES MF 12.1K 1% 1/4W	144154
R27	RES MF 2.74M 1/4W	144271
R28	RES MF 562 OHM 1/4W	144408
R29	RES MF 806 OHM 1/4W	144089
R30	RES MF 200K 1% 1/4W	144117
R31	RES MF 4.75K 1/4W	144097
U1	IC DUAL OPERATIONAL AMPLIFIER	133260
U2	IC DUAL OPERATIONAL AMPLIFIER	133260

EXPLODED VIEW



EXPLODED VIEW con't and PARTS LIST



Ref No.	Part No.	Description
1	016492	CENTER GLASS PLATE
2	016491	GLASS PANEL W/HOLE
3	018717	END CAP
4	018715	TOP/BOTTOM END CAP
5	018711	CENTER EXTRUSION
6	094042	TAPE VINYL FOAM 1/16 X 1/4
7	049321	ASSY KNOB
8	104017	WASHER FELT BLK 1 X 1/4 X 1/16
9	100342	SCREW 6-32 X 3/8 FILLISTER HD
10	092418	FILTER BLUE DISPLAY
11	005309	GLASS PANEL PLATE
12	005311	GAP PLATE
13	100276	SCREW MACH SEM 6-32 X 5/16 PH PN
14	101074	SCREW TAPPING 4-40 X 1/4 PH PN
15	005310	METER CLAMP
16	017913	LOGO BACKLIGHT
17	094430	FOAM TAPE 1/8" THK
18	124086	METER
19	017901	LOGO PUSHBUTTON BACKLIGHT
20	094274	TAPE ADHESIVE
21	017923	BACKLIGHT METER 6"
22	005306	SUBPANEL
23	146243	SWITCH POWER
24	021159	BUSHING SWITCH
25	104138	WASHER FIBER .150ID X .312OD
26	102045	KEP NUT 6-32 SPECIAL
27	021030	SPACER 6 X 1/4
28	049830	ASSY METER PCB
29	101054	SCREW TAPTITE 6-32 X 1/4 PH PN BLK
30	101172	SCREW TC 6-32 X 1/4 PH FL U/C
31	005291	DUST COVER
32	100200	SCREW MACH 10-32 X 1/2 TRUSS HD
33	126937	DECAL TOP COVER
34	101059	SCREW SM 6 X 5/8 PH PN TYPE A
35	049846	POTTED TRANSFORMER POWER
36	049847	POTTED TRANSFORMER OUTPUT
37	126913	DECAL POWER TRANSFORMER
38	126914	DECAL OUTPUT TRANSFORMER
39	005305	CHASSIS
40	049829	ASSY INPUT PCB
41	101197	SCREW HI/LO 4-24 X 3/8 PH HD BLK
42	100250	SCREW MACH SEMS 6-32 X 1/4 PH PN
43	117741	POST BINDING BLACK
44	117740	POST BINDING RED
45	178161	HOLDER FUSE
46	117487	RECEPTACLE AC LINE
47	078024	GROMMET RUBBER 1" ID
48	078034	GROMMET
49	018690	HEATSINK
50	049828	ASSY DRIVER/HEATSINK PCB
51	084206	ISOSTRATE
52	112087	SPACER PCB 1/4
53	114141	CLIP RIGHT ANGLE
54	049831	ASSY POWER SUPPLY PCB
55	005307	SUPPORT BRACKET
56	102006	NUT MACH 10-32 W/LOCK
57	005308	CAPACITOR STRAP
58	094391	TAPE FOAM 1/8 X 3/4
59	074091	TERMINAL BLOCK AC
60	104001	WASHER FLAT STEEL 4 X 9/32 X .025
61	104142	WASHER LOCK 2.5mm INT STAR ZINC
62	102022	NUT MACH 4-40 X 3/16 X 1/16
63	005240	HEATSINK VENT
64	101176	SCREW TC 6-32 X 1/2 PH PN TYPE F
65	104005	WASHER FLAT STEEL 6 X 3/8 X .032
66	070139	DIODE BRIDGE RECTIFIER
67	084135	PAD THERMAL
68	102005	NUT MACH 8-32 W/LOCK
69	017452	KLIP WIRE
70	102020	NUT 6-32 SELF LOCK
71	101078	SCREW TAP 8-32 X 5/16 PH PN BLK
72	102052	NUT GOLD SUPPLIED W/117758
73	104162	WASHER LOCK INTERNAL TOOTH
74	102015	NUT HEX M9 X .75 GOLD PLATED
75	005235	HEATSINK COVER
76	104016	WASHER INT STAR .5 X .630 X .022
77	005242	BOTTOM COVER
78	106007	SPRING CLIP LATCH TYPE
79	017218	FOOT PLASTIC BLACK
80	104033	WASHER FLAT #10 CLEAR ZINC
81	100159	SCREW MACH 10-32 X 3/4 PH PN BLK

REPACKING INSTRUCTIONS

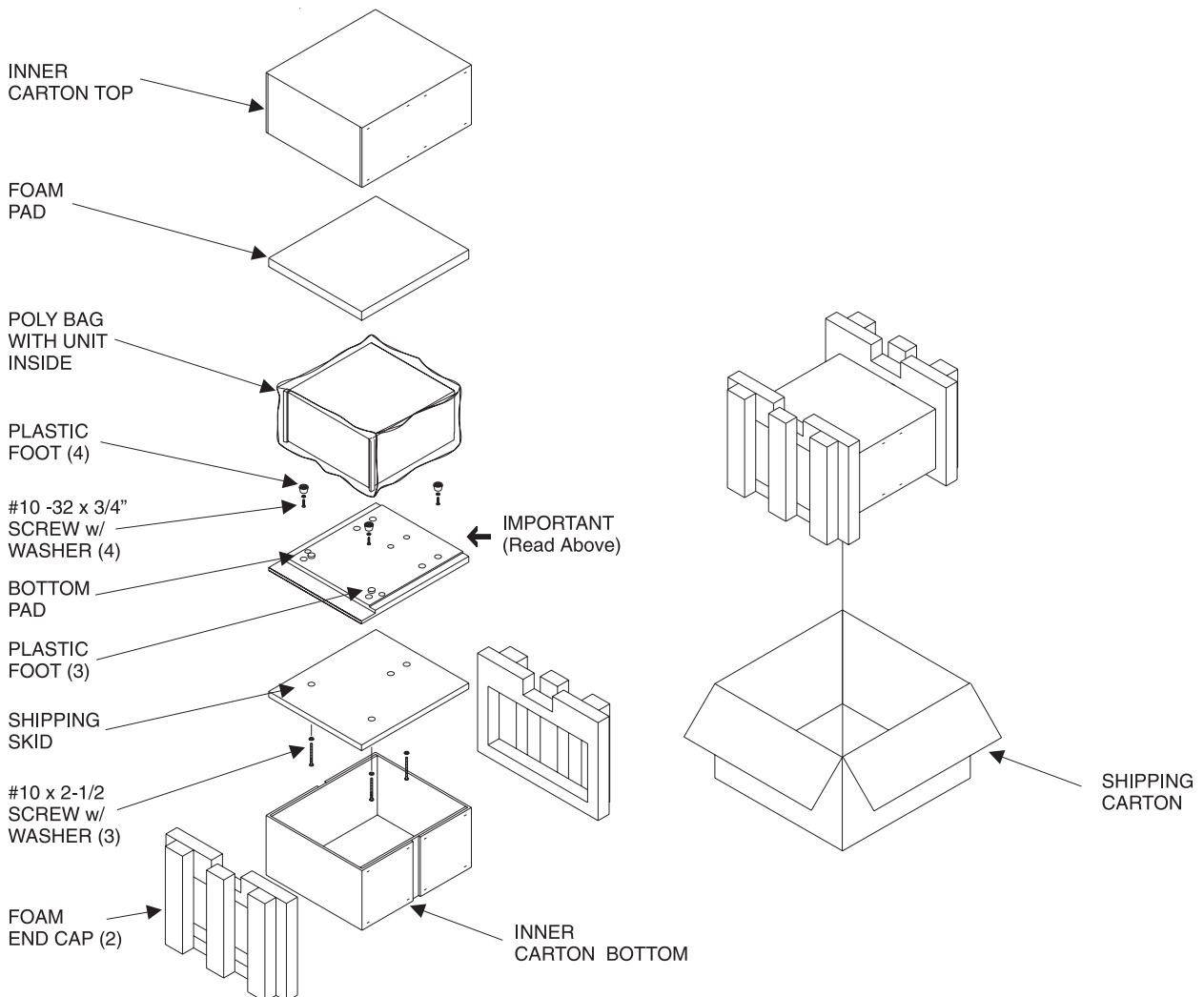
In the event it is necessary to repack the unit for shipment, the unit must be packed exactly as shown below.

IMPORTANT - The four plastic feet must be attached to the bottom of the unit so they will locate in the four holes of the bottom pad. Two #10 x 2-1/4" screws and washers must be used to fasten the unit securely to the bottom pad and wood skid. Failure to do this will result in shipping damage.

If a shipping carton or any of the interior parts is needed, please call or write the Customer Service Department of McIntosh Laboratory. Order parts from the accompanying list by part number.

Use the original shipping carton and interior parts only if they are in good serviceable condition.

Qty.	Part No.	Description
1	034198	Inner carton top
1	034188	Inner carton foam pad
4	017218	Plastic foot (unit)
1	033739	Poly bag
4	100159	#10-32 x 3/4" Machine screw
4	104083	#10 x 7/16" Flat washer
1	034194	Bottom pad
3	017218	Plastic foot (spacer)
1	033699	Shipping skid
3	101204	#10 x 2-1/2" Wood screw
3	104033	#10 x 1-3/4" Flat washer
2	034159	Foam end caps
1	034158	Shipping carton
1	034199	Inner carton bottom



MC501

POWER AMPLIFIER

SERVICE MANUAL



The continuous improvement of its products is the policy of McIntosh Laboratory Incorporated, who reserve the right to improve design without notice. Because of the constant upgrading of McIntosh products' circuitry and components, the Company cannot insure, and does not warrant, the accuracy of the within schematic material, which is intended for information only.