

# McIntosh

C 27

**THE PREAMPLIFIER THAT GIVES YOU  
EASE OF USE**

**USEFUL FLEXIBILITY**

**MORE PLEASURE**

**PROMISED PERFORMANCE DELIVERED**

**INVESTMENT PROTECTION**

**3 YEAR SERVICE CONTRACT**

**LONG LIFE**

**ASSURED BY THE MCINTOSH**

**3-DECADE REPUTATION**

**FOR SUPERIOR PRODUCTS**

**WITH SUPERIOR PERFORMANCE**

**AND HIGH TRADE-IN VALUE**

**AND YOU GET**

**THE SATISFACTION OF KNOWING**

**YOU OWN THE BEST**

**YOU OWN A MCINTOSH**

# C27 USEFUL FLEXIBILITY

- **YOU CHOOSE FROM SEVEN DIFFERENT PROGRAM SOURCES**

The input switch selects from five different sources or you can choose to listen to either of two tape recorders at the push of a button.

- **YOU ALWAYS GET THE IDEAL STEREO IMAGE**

The McIntosh seven position mode selector has facilities to permit the proper balancing of a stereo system to maximize stereo imaging. It assists in easily restoring proper stereo perspective should you play an improperly made recording.

- **TAPE RECORDING AND PLAYBACK MADE EASY**

Tape input, tape output and switching facilities are provided for two three-head tape recorders. Simply push a button to listen to either one - - or record from any selected source on either or both - - or - - copy from one tape recorder to another while listening to an entirely different program. You can instantaneously monitor either tape recorder.

- **LISTEN TO YOUR QUIET RECORDS, QUIETLY**

Any unwanted noise (hiss, rumble, fry, etc.) can be reduced with the four position filter switch. It allows the removal of low frequency noise, high frequency noise or both yet retaining as much of the wanted program as possible.

- **CONTROL REMOTE LOUDSPEAKERS FROM YOUR PREAMPLIFIER**

Through a unique McIntosh design, interconnecting the pre-amplifier and power amplifier, you have ON/OFF control of two separate sets of stereo speakers. Another advantage of this unique design is the ability to plug your headphones into a front panel jack for private listening.

- **STEPPED TONE CONTROLS INDEPENDENT IN EACH CHANNEL**

Settings are precise and repeatable in each channel, in-

dependently. Each tone control is a separate eleven position switch concentrically mounted. Each step is connected to carefully selected resistors and capacitors to give the precise frequency curve shape. Because the tone circuit component parts are not in contact with the switch surfaces, as in ordinary continuously variable rotary controls, they never change, never get noisy and provide exact, repeatability settings.

- **YOU CAN LISTEN AT LOW VOLUMES WITH EQUAL PLEASURE**

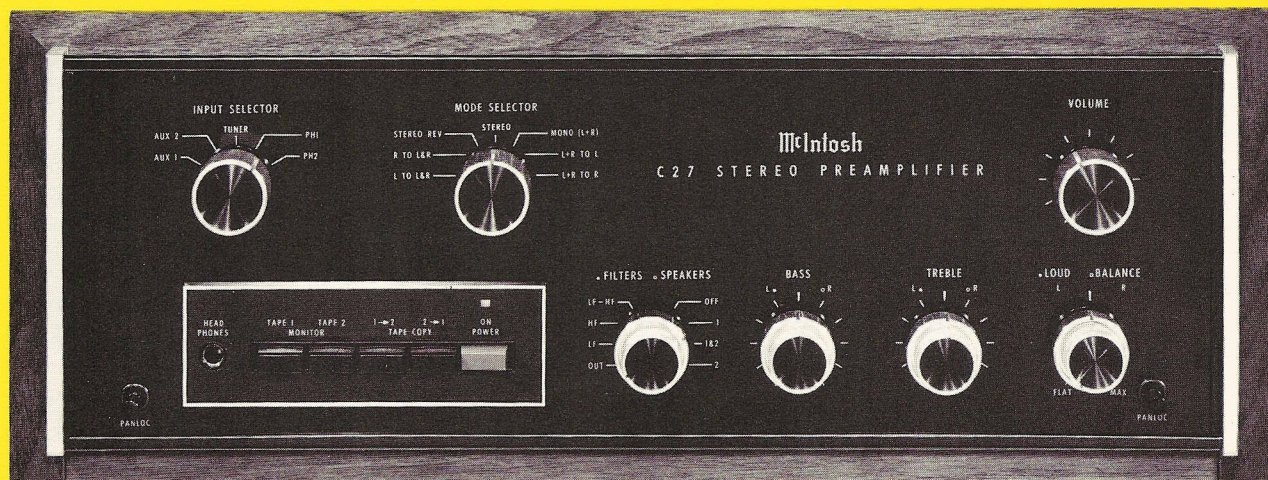
A continuously variable loudness control lets you enjoy full frequency response and warmth of music regardless of the room volume you choose. As volume is reduced, the frequency response is adjusted to complement the human ear response characteristics, the Fletcher Munson effect.

- **THE CONSTANT LOUDNESS BALANCE CONTROL**

The McIntosh balance control adjusts each channel independently for proper stereo imaging without a modification of overall stereo volume in the room. While natural balance is at the center of the control; adjustment to either right or left compensates for program variations or room acoustic differences.

- **PRECISION STEP ATTENUATOR VOLUME CONTROL**

Ideal volume control tracking accuracy and noise free performance are two of the considerable benefits of the McIntosh Precision Step Attenuator. It is a thirty-two step, 70 dB range control with unheard of tracking accuracy within 1 dB. The extreme accuracy is obtained through special electronically controlled resistance element trimming. The accuracy and quiet operation are maintained because the switch commutator touches only the switch contact pad and not the precision resistor elements.



Shown in optional walnut veneer cabinet.

# C27 FACILITIES AND FEATURES

- **LOUDNESS**

Flat response, or continuously variable loudness equalization as volume is reduced

- **BALANCE**

Natural balance at center position, attenuation of left or right channel by rotating control

- **VOLUME**

Precision step attenuator with matched elements for accurate tracking at all listening levels. Does not change stereo balance as volume is changed

- **INPUT**

Five positions - AUXILIARY 1 and 2, TUNER, PHONO 1 and 2, or 2 tape recorders using front panel pushbuttons

- **MODE**

Seven positions - Left channel only to both speakers. Right channel only to both speakers, STEREO REVERSE, STEREO, MONO (L + R), L + R to Left speakers only, and L + R to Right speaker only

- **TAPE MONITOR**

Two pushbutton switches. Either of two tape recorders can be monitored. They are mechanically interlocked to accept only one pushbutton at the IN position at one time

- **TAPE COPY SWITCH**

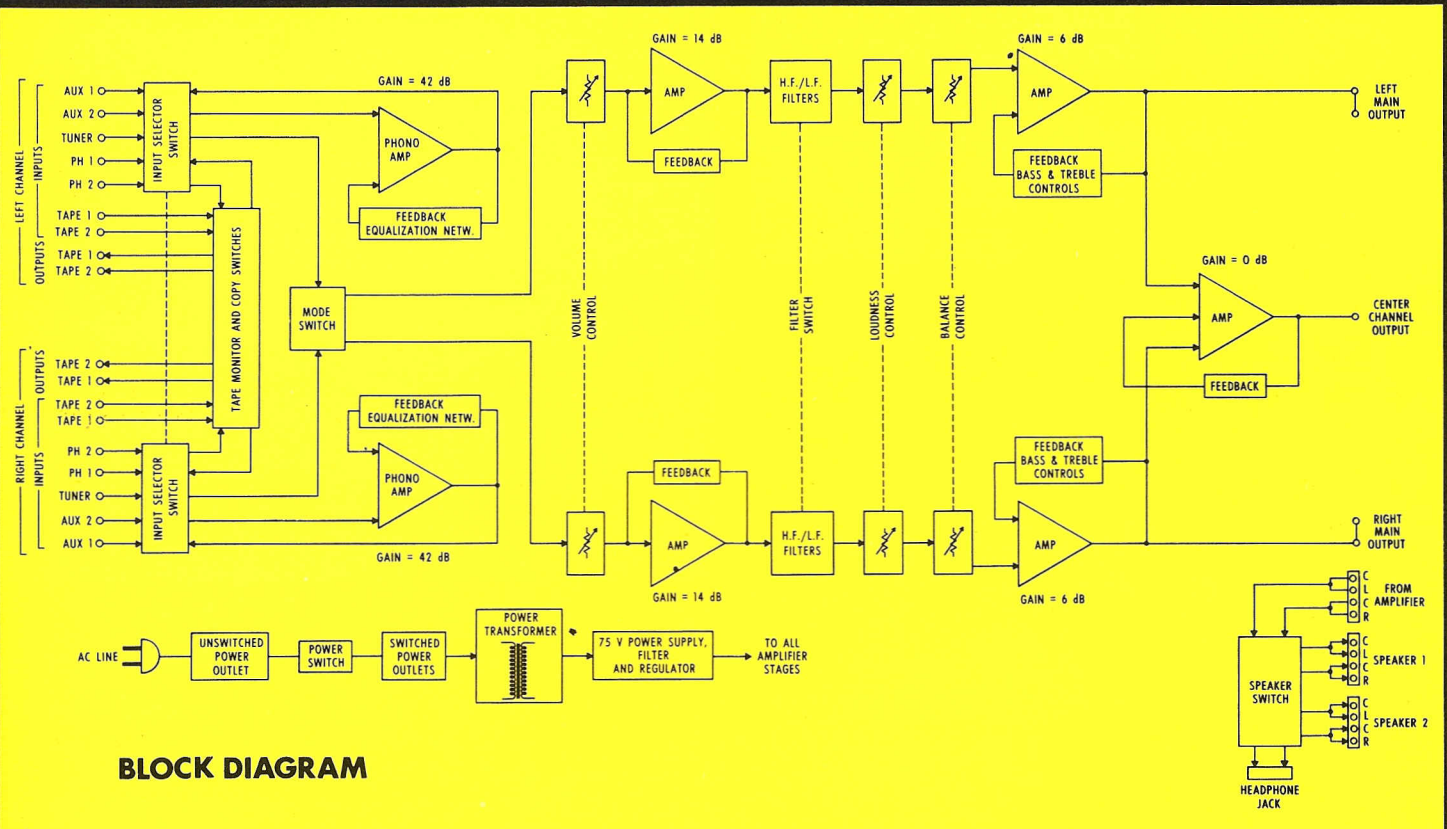
Two pushbutton switches. Either of two tape recorders can be connected to copy from one to the other or vice versa. They are mechanically interlocked to accept only one pushbutton at the IN position at one t time

- **SPEAKER SWITCH**

Facilities are provided to connect the power amplifier to the rear panel of the C 27 to permit switching two pairs of speakers on and off

- **HEADPHONE JACK**

For low impedance headphones; powered by properly inter-connected external power amplifier



# C 27 PERFORMANCE LIMITS

## THE McIntOSH PROMISE OF PERFORMANCE

We promise you that the C 27 you buy must be capable of performance at or exceeding these limits or you get your money back. McIntosh PERFORMANCE LIMITS are the maximum departure from perfection permitted for a McIntosh instrument.

## PERFORMANCE

### FREQUENCY RESPONSE

+0 -0.5 dB 20 Hz to 20 kHz

### DISTORTION

Will not exceed 0.05% at rated output level, 20 Hz to 20 kHz

### HUM AND NOISE

AUXILIARY 1 and 2, TUNER, TAPE 1 and 2: 85 dB unweighted; 90 dB IHF A weighted

PHONO 1 and 2: 80 dB below 10 mV input, unweighted; 85 dB IHF A weighted

## RATINGS

### INPUT SENSITIVITY AND IMPEDANCE

AUXILIARY 1 and 2, TUNER, TAPE 1 and 2: 250 millivolts at 100k ohms

PHONO 1 and 2: 2 millivolts at 47k ohms and 100 pF

### OUTPUT LEVEL AND IMPEDANCE

MAIN OUTPUT 2.5 volts with rated input, less than 1k ohms source impedance. Maximum output is greater than 10 volts

TAPE OUTPUT 0.25 volts with rated input, less than 1.5k ohms source impedance. Maximum output is greater than 10 volts

CENTER CHANNEL OUTPUT (L + R) 2.5 volts with rated input to both channels, less than 1.2k ohms source impedance, to operate into 22k ohms load or higher

### VOLTAGE AMPLIFICATION IN DECIBELS

AUXILIARY 1 and 2, TUNER, TAPE 1 and 2  
to MAIN OUTPUT 20 dB; to TAPE OUTPUT 0 dB

PHONO 1 and 2  
to MAIN OUTPUT 62 dB; to TAPE OUTPUT 42 dB

### BASS CONTROLS

Separate 11 position rotary switches for each channel. -17 dB to +16 dB at 20 Hz

### TREBLE CONTROLS

Separate 11 position rotary switches for each channel. -20 dB to +20 dB at 20 kHz

### LF FILTER SWITCH (Rumble Filter)

Flat or roll-off 6 dB per octave below 50 Hz, down 12 dB at 20 Hz

### HF FILTER SWITCH (Scratch Filter)

Flat or roll-off 6 dB per octave above 5 kHz, down 12 dB at 20 kHz

## GENERAL

### SEMICONDUCTOR COMPLEMENT

18 Silicon - Planar transistors

4 Silicon diodes

5 Light Emitting diodes

### AC POWER OUTLETS

1 unswitched (Red)

4 switched

### POWER REQUIREMENT

120 volts, 50/60 Hz, 15 watts

## MECHANICAL INFORMATION

### SIZE

Front panel measures 16 inches wide (40.6 cm) by 5-7/16 inches high (13.8 cm). Chassis measures 14-3/4 inches wide (37.5 cm) by 4-13/16 inches high (12.2 cm) by 13 inches deep (33 cm), including PANLOC shelf and back panel connectors. Knob clearance required is 1-1/4 inches (3.2 cm) in front of the mounting panel

### FINISH

Front panel is anodized gold and black with special McIntosh gold/teal panel nomenclature illumination. Chassis is black

### MOUNTING

Exclusive McIntosh developed professional PANLOC

### WEIGHT

20 pounds (9.1 kg) net, 32 pounds (14.5 kg) in shipping carton

The continuous improvement of its products is the policy of McIntosh Laboratory Incorporated, who reserve the right to improve design without notice.

FRANCHISED DEALER

# McIntosh

McINTOSH LABORATORY INC.

2 CHAMBERS ST., BINGHAMTON, N.Y. 13903

607-723-3512