

COMPACT DISC PLAYER

CD-S2100

CD-S2100

SERVICE MANUAL

IMPORTANT NOTICE

This manual has been provided for the use of authorized Yamaha Retailers and their service personnel.

It has been assumed that basic service procedures inherent to the industry, and more specifically Yamaha Products, are already known and understood by the users, and have therefore not been restated.

WARNING: Failure to follow appropriate service and safety procedures when servicing this product may result in personal injury, destruction of expensive components, and failure of the product to perform as specified. For these reasons, we advise all Yamaha product owners that any service required should be performed by an authorized Yamaha Retailer or the appointed service representative.

IMPORTANT: The presentation or sale of this manual to any individual or firm does not constitute authorization, certification or recognition of any applicable technical capabilities, or establish a principle-agent relationship of any form.

The data provided is believed to be accurate and applicable to the unit(s) indicated on the cover. The research, engineering, and service departments of Yamaha are continually striving to improve Yamaha products. Modifications are, therefore, inevitable and specifications are subject to change without notice or obligation to retrofit. Should any discrepancy appear to exist, please contact the distributor's Service Division.

WARNING: Static discharges can destroy expensive components. Discharge any static electricity your body may have accumulated by grounding yourself to the ground buss in the unit (heavy gauge black wires connect to this buss).

IMPORTANT: Turn the unit OFF during disassembly and part replacement. Recheck all work before you apply power to the unit.

■ CONTENTS

TO SERVICE PERSONNEL	2-4
PREVENTION OF ELECTROSTATIC DISCHARGE	5
FRONT PANELS	6
REAR PANELS	7-9
REMOTE CONTROL PANEL	10
SPECIFICATIONS / 参考仕様	10-11
INTERNAL VIEW	12
SERVICE PRECAUTIONS / サービス時の注意事項	12
DISASSEMBLY PROCEDURES / 分解手順	13-23
UPDATING FIRMWARE / ファームウェアのアップデート	24-30

SELF-DIAGNOSTIC FUNCTION /

ダイアグ (自己診断機能)	31-41
DISPLAY DATA	42
IC DATA	43-46
BLOCK DIAGRAM	47
WIRING DIAGRAMS	48-49
PRINTED CIRCUIT BOARDS	50-59
PIN CONNECTION DIAGRAMS	60
SCHEMATIC DIAGRAMS	61-68
REPLACEMENT PARTS LIST	69-82
REMOTE CONTROL	83



■ TO SERVICE PERSONNEL

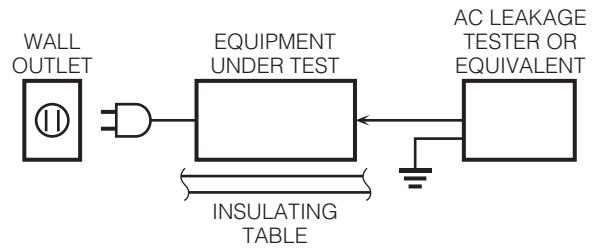
1. Critical Components Information

Components having special characteristics are marked Δ and must be replaced with parts having specifications equal to those originally installed.

2. Leakage Current Measurement (For 120V Models Only)

When service has been completed, it is imperative to verify that all exposed conductive surfaces are properly insulated from supply circuits.

- Meter impedance should be equivalent to 1500 ohms shunted by 0.15 μ F.



- Leakage current must not exceed 0.5mA.
- Be sure to test for leakage with the AC plug in both polarities.



For U model

“CAUTION”

“F901: FOR CONTINUED PROTECTION AGAINST RISK OF FIRE, REPLACE ONLY WITH SAME TYPE 2A, 125V FUSE.”

For C model

CAUTION

F901: REPLACE WITH SAME TYPE 2A, 125V FUSE.

ATTENTION

F901: UTILISER UN FUSIBLE DE RECHANGE DE MÊME TYPE DE 2A, 125V.

WARNING: CHEMICAL CONTENT NOTICE!

This product contains chemicals known to the State of California to cause cancer, or birth defects or other reproductive harm.

DO NOT PLACE SOLDER, ELECTRICAL/ELECTRONIC OR PLASTIC COMPONENTS IN YOUR MOUTH FOR ANY REASON WHATSOEVER!

Avoid prolonged, unprotected contact between solder and your skin! When soldering, do not inhale solder fumes or expose eyes to solder/flux vapor!

If you come in contact with solder or components located inside the enclosure of this product, wash your hands before handling food.

About lead free solder / 無鉛ハンダについて

All of the P.C.B.s installed in this unit and solder joints are soldered using the lead free solder.

Among some types of lead free solder currently available, it is recommended to use one of the following types for the repair work.

- Sn + Ag + Cu (tin + silver + copper)
- Sn + Cu (tin + copper)
- Sn + Zn + Bi (tin + zinc + bismuth)

Caution:

As the melting point temperature of the lead free solder is about 30°C to 40°C (50°F to 70°F) higher than that of the lead solder, be sure to use a soldering iron suitable to each solder.

本機に搭載されているすべての基板およびハンダ付けによる接合部は無鉛ハンダでハンダ付けされています。

無鉛ハンダにはいくつかの種類がありますが、修理時には下記のような無鉛ハンダの使用を推奨します。

- Sn+Ag+Cu (錫 + 銀 + 銅)
- Sn+Cu (錫 + 銅)
- Sn+Zn+Bi (錫 + 亜鉛 + ビスマス)

注意：

無鉛ハンダの融点温度は通常の鉛入りハンダに比べ 30 ~ 40°C程度高くなっていますので、それぞれのハンダに合ったハンダごてをご使用ください。

WARNING: Laser Safety

This product contains a laser beam component. This component may emit invisible, as well as visible radiation, which may cause eye damage. To protect your eyes and skin from laser radiation, the following precautions must be used during servicing of the unit.

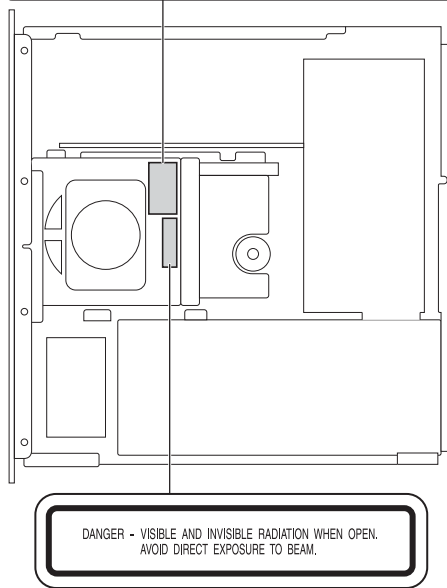
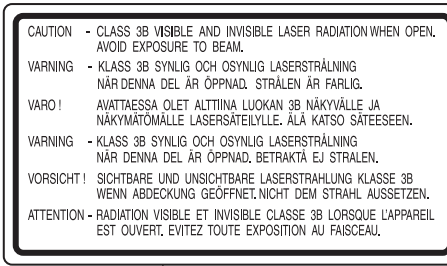
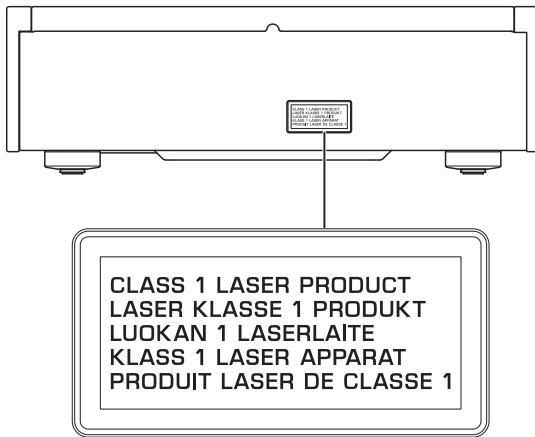
- 1) When testing and/or repairing any component within the product, keep your eyes and skin more than 30 cm/1 feet away from the laser pick-up unit at all times. Do not stare at the laser beam at any time.
- 2) Do not attempt to readjust, disassemble or repair the laser pick-up, unless noted elsewhere in this manual.
- 3) CAUTION: Use of controls, adjustments or performance of procedures other than those specified herein may result in hazardous radiation exposure.

Laser Emitting conditions:

- 1) When the Top Cover is removed, and the STANDBY/ON SW is turned to the "ON" position, the laser component will emit a beam for several seconds to detect if a disc is present. During this time (5-10 sec.) the laser may radiate through the lens of the laser pick-up unit. Do not attempt any servicing during this period!
If no disc is detected, the laser will stop emitting the beam. When a disc is loaded, you will not be exposed to any laser emissions.
- 2) The laser power level can be adjusted with the VR on the pick-up PWB, however, this level has been set by the factory prior to shipping from the factory. Do not adjust this laser level control unless instruction is provided elsewhere in this manual. Adjustment of this control can increase the laser emission level from the device.

Laser Diode Properties

Type:	SA-CD	Semiconductor laser (AlGaInP)
	CD	Semiconductor laser (AlGaAs)
Wavelength:	SA-CD	655 nm
	CD	790 nm
Output Power:	SA-CD	1.89 mW (max.)
	CD	1.36 mW (max.)



Warning for power supply

The primary side of the power supply carries live mains voltage when the player is connected to the mains even when the player is switched off !

This primary area is not shielded so it is possible to accidentally touch copper tracks and/or components when servicing the player.

Service personnel have to take precautions to prevent touching this area or components in this area.

Note:

The screws on the Loader mechanism may never be touched, removed or re-adjusted.

Handle the Loader mechanism with care when the unit has to be exchanged!

The Loader mechanism is very sensitive for dropping or giving shocks.

■ PREVENTION OF ELECTROSTATIC DISCHARGE

Some semiconductor (solid state) devices can be damaged easily by static electricity. Such components commonly are called Electrostatically Sensitive (ES) Devices. Examples of typical ES devices are integrated circuits and some field-effect transistors and semiconductor “chip” components. The following techniques should be used to help reduce the incidence of component damage caused by electro static discharge (ESD).

1. Immediately before handling any semiconductor component or semiconductor-equipped assembly, drain off any ESD on your body by touching a known earth ground. Alternatively, obtain and wear a commercially available discharging ESD wrist strap, which should be removed for potential shock reasons prior to applying power to the unit under test.
2. After removing an electrical assembly equipped with ES devices, place the assembly on a conductive surface such as aluminum foil, to prevent electrostatic charge buildup or exposure of the assembly.
3. Use only a grounded-tip soldering iron to solder or unsolder ES devices.
4. Use only an anti-static solder removal device. Some solder removal devices not classified as “anti-static (ESD protected)” can generate electrical charge sufficient to damage ES devices.
5. Do not use freon-propelled chemicals. These can generate electrical charges sufficient to damage ES devices.
6. Do not remove a replacement ES device from its protective package until immediately before you are ready to install it. (Most replacement ES devices are packaged with leads electrically shorted together by conductive foam, aluminum foil or comparable conductive material).
7. Immediately before removing the protective material from the leads of a replacement ES device, touch the protective material to the chassis or circuit assembly into which the device will be installed.

CAUTION: Be sure no power is applied to the chassis or circuit, and observe all other safety precautions.

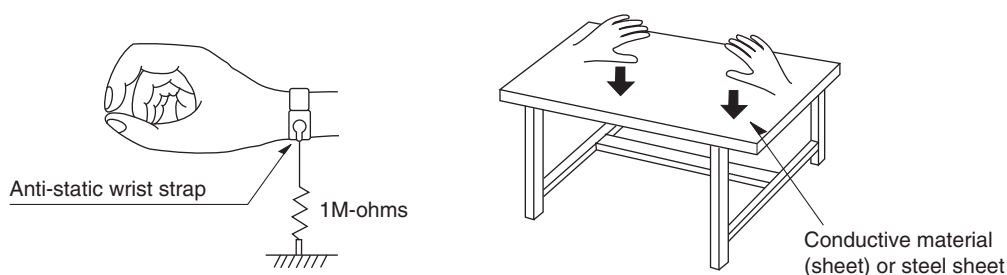
8. Minimize bodily motions when handling unpackaged replacement ES devices. (Otherwise harmless motion such as brushing together of your fabric clothes or lifting of your foot from a carpeted floor can generate static electricity (ESD) sufficient to damage an ES device).

Grounding for electrostatic breakdown prevention

1. Human body grounding.
Use the antistatic wrist strap to discharge the static electricity from your body.
2. Work table grounding.
Put a conductive material (sheet) or steel sheet on the area where the optical pickup is placed and ground the sheet.

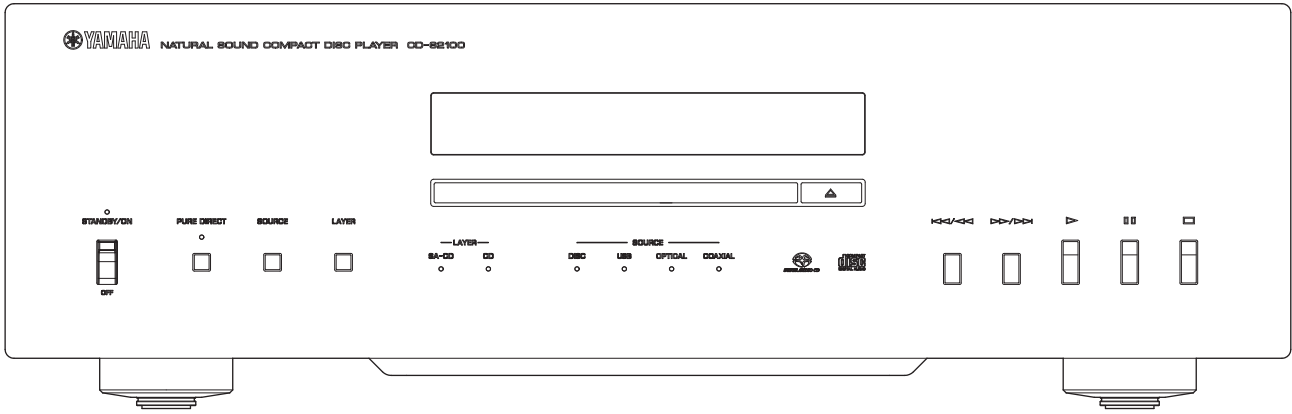
Caution:

The static electricity of your clothes will not be grounded through the wrist strap. So take care not to let your clothes touch the optical pickup.

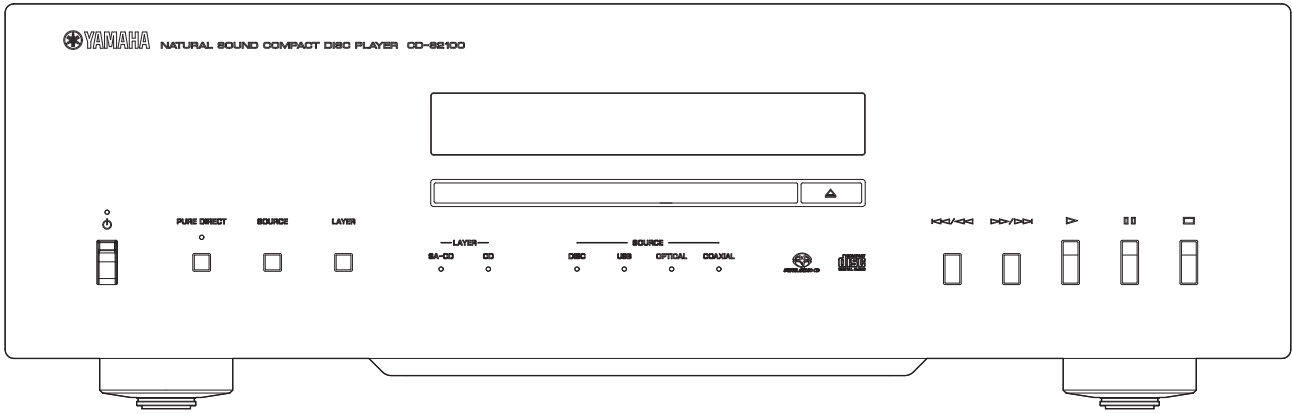


FRONT PANELS

U, K, A, B, G, L, V, S, J models

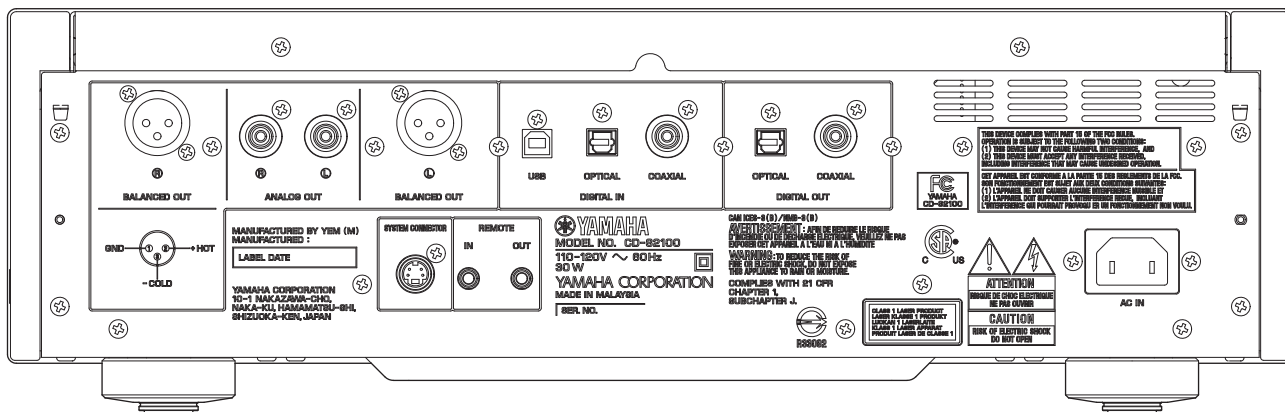


T model

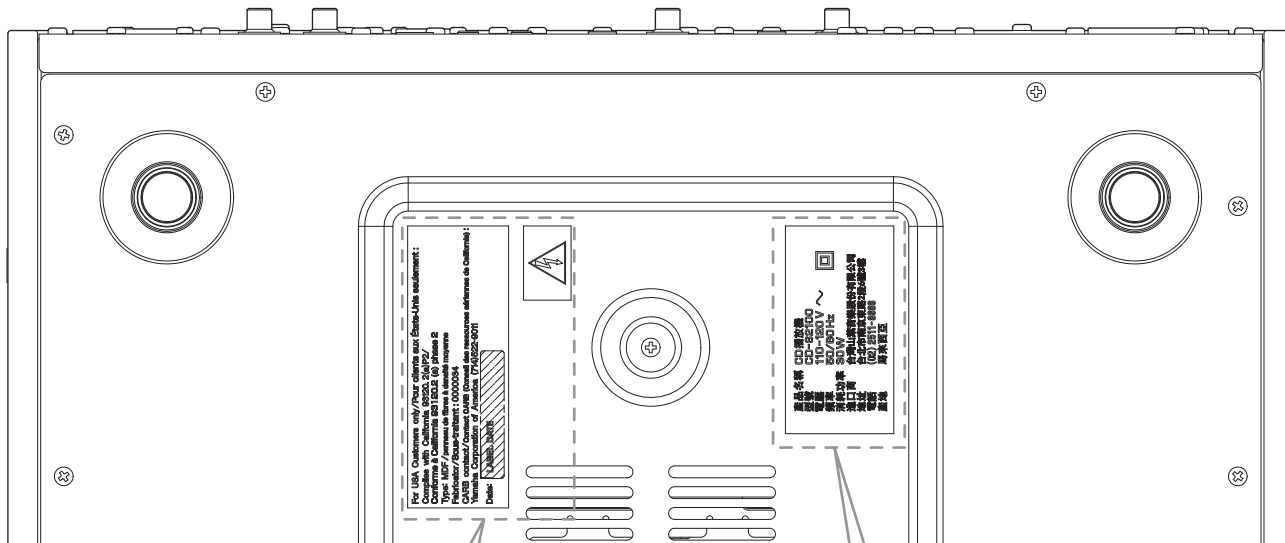


REAR PANELS

U, V, S models



Bottom view



U model

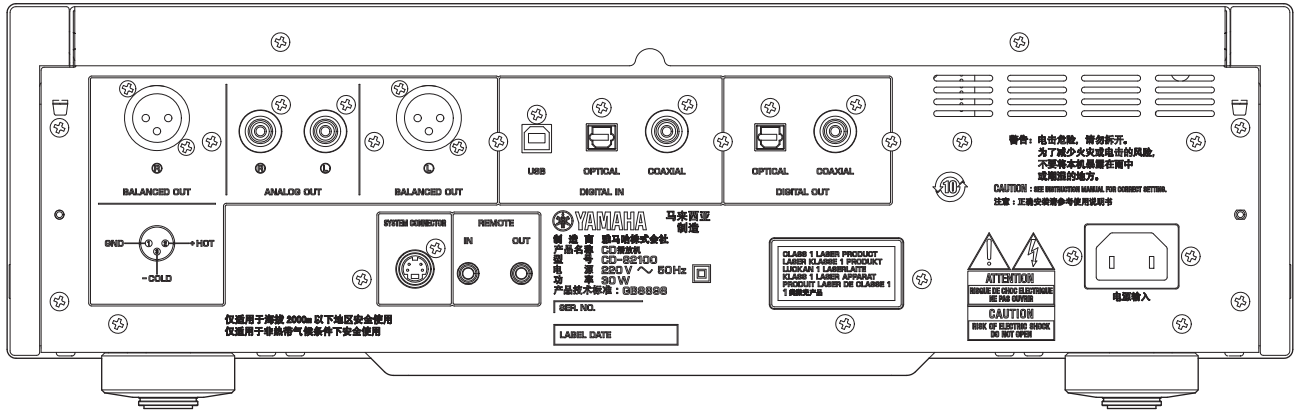
For USA Customers only/Pour clients aux États-Unis seulement :
 Complies with California 93120. 2(a)P2/
 Conforme à California 93120.2 (a) phase 2
 Type: MDF /pennsu de fibres à densité moyenne
 Fabricator/Sous-traitant : 0000034
 CARB contact/Contact CARB (Conseil des ressources aériennes de Californie) :
 Yamaha Corporation of America (714)522-9011
 Date: LABEL DATE

V model

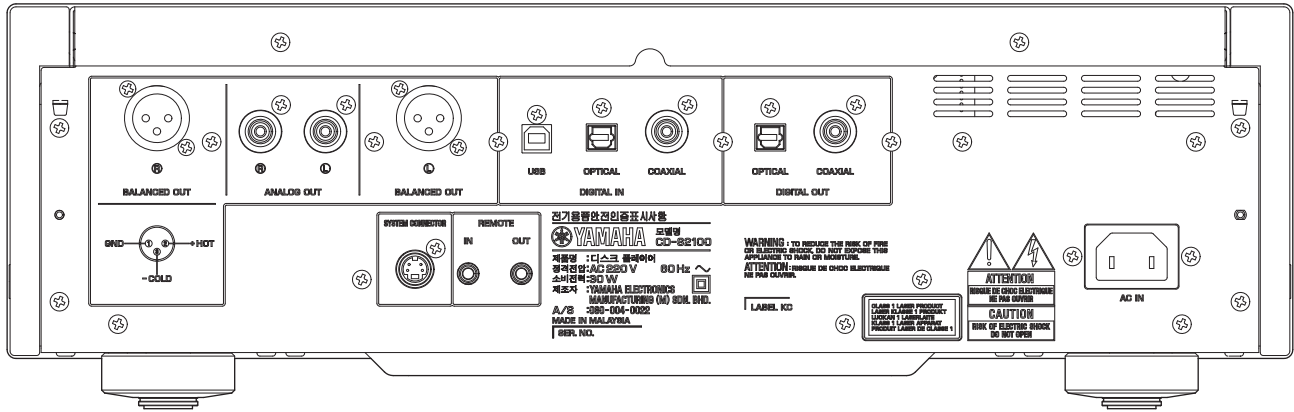
產品名稱 CD播放機
 型號 CD-S2100
 電壓 110-120 V ~
 頻率 50/60 Hz
 消耗功率 30W
 進口商 台灣山葉音樂股份有限公司
 地址 台北市南京東路2段6號3樓
 電話 (02) 2511-8888
 產地 馬來西亞

CD-S2100

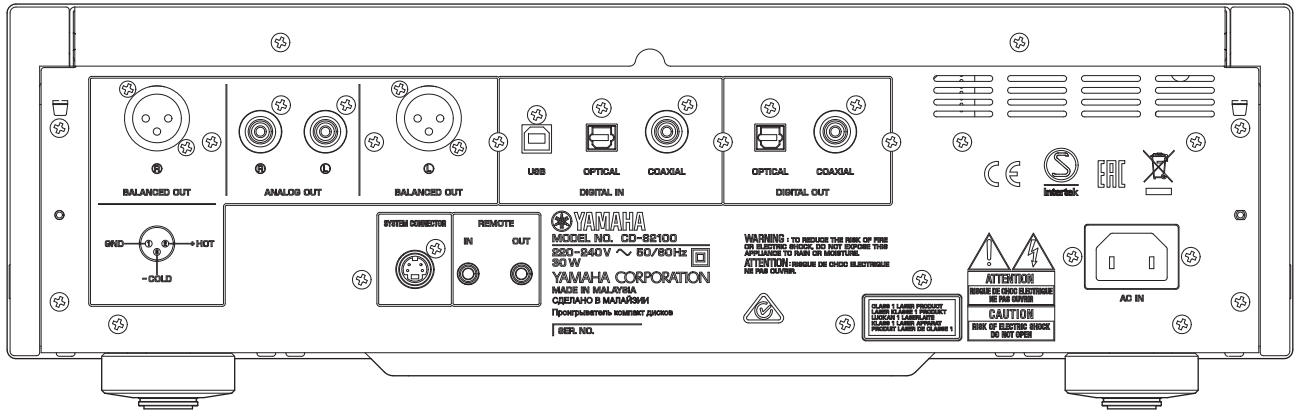
T model



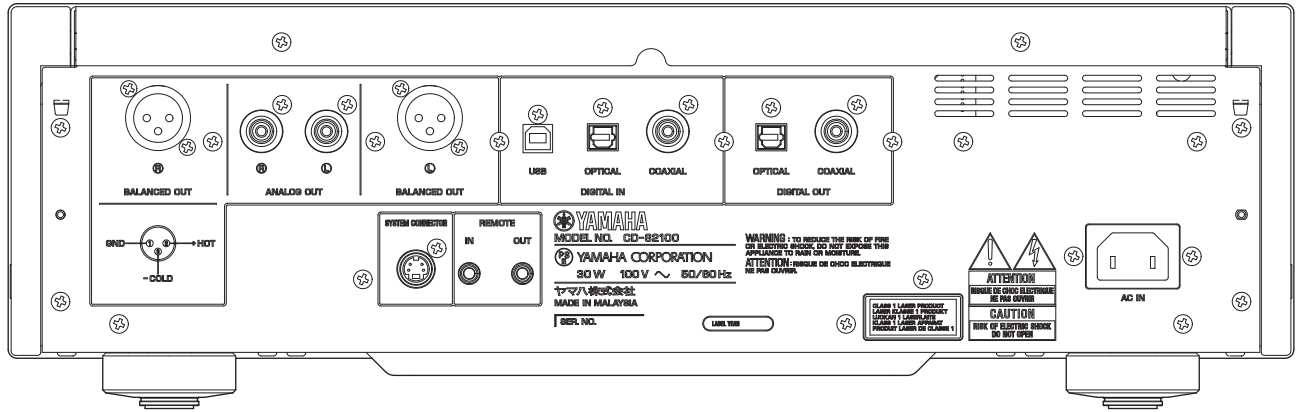
K model



A, B, G, L models

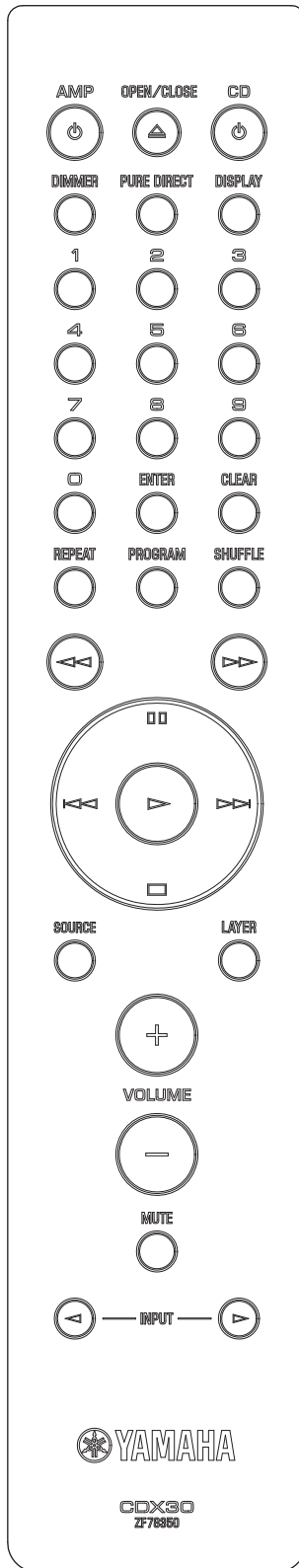


J model



■ REMOTE CONTROL PANEL

CDX30



■ SPECIFICATIONS / 参考仕様

■ Audio Section / オーディオ部

Output Level / 出力レベル (1 kHz, 0 dB)

SA-CD / CD 2.0 ±0.4 V

Signal to Noise Ratio / 信号対雑音比 (IHF-A network) (1 kHz, 0 dB)

SA-CD / CD 116 dB or more

Dynamic Range / ダイナミックレンジ (1 kHz, 0 dB)

SA-CD 110 dB or more

CD 100 dB or more

Total Harmonic Distortion / 全高調波歪率 (1 kHz, 0 dB)

SA-CD / CD 0.002 % or less

Frequency Response / 周波数特性 (1 kHz, 0 dB)

SA-CD 2 Hz to 50 kHz (-3 dB)

CD 2 Hz to 20 kHz

Playback Frequency Range / 再生周波数帯域

..... 2 Hz to 96 kHz

■ Input/Output / 入出力部

Digital Input / デジタル入力 (DIGITAL IN)

OPTICAL x 1

COAXIAL x 1

USB (type B, 2.0 compliant) x 1

Support Audio Sample Rate / 対応サンプリング周波数

..... 44.1 / 48 / 88.2 / 96 / 176.4 / 192 kHz

Word Depths / 対応ビット長

..... 16 bit / 24 bit

Digital Output / デジタル出力 (DIGITAL OUT)

OPTICAL x 1

COAXIAL x 1

Support Audio Sample Rate / 対応サンプリング周波数

..... 44.1 / 48 / 88.2 / 96 / 176.4 / 192 kHz

Word Depths / 対応ビット長

..... 16 bit / 24 bit

Audio Output / オーディオ出力

ANALOG OUT (unbalanced) x 2 ch (L/R)

BALANCED OUT x 2 ch (L/R)

Remote Input/Output / リモート入出力

REMOTE IN x 1

REMOTE OUT x 1

System connector / システムコネクター

SYSTEM CONNECTOR x 1

■ General / 総合

Power Consumption / 消費電力

..... 30 W

Standby Power Consumption (reference data) /

待機時消費電力 (参考値)

U, T, B, G, S, J models 0.3 W

K, A, L, V models 0.4 W

Power Supply / 電源電圧

U, V, S models	AC 110-120 V, 60 Hz
T model	AC 220 V, 50 Hz
K model	AC 220 V, 60 Hz
A, B, G, L models	AC 220-240 V, 50/60 Hz
J model	AC 100 V, 50/60 Hz

Dimensions (W x H x D) / 寸法 (幅 × 高さ × 奥行き)

..... 435 x 137 x 438 mm (17-1/8" x 5-3/8" x 17-1/4")

Weight / 質量

..... 16.0 kg (35.3 lbs.)

Finish / 仕上げ

U, A, G, L, V, S models	Black/Dark brown (BL) color
U, A, B, G, L models	Black/Piano black (BP) color
U, A, G, L, V, J models	Silver/Birch (SI) color
U, T, K, A, B, G, L, J models	Silver/Piano black (SP) color

Color: Front and top panels / Side panel

Accessories / 付属品

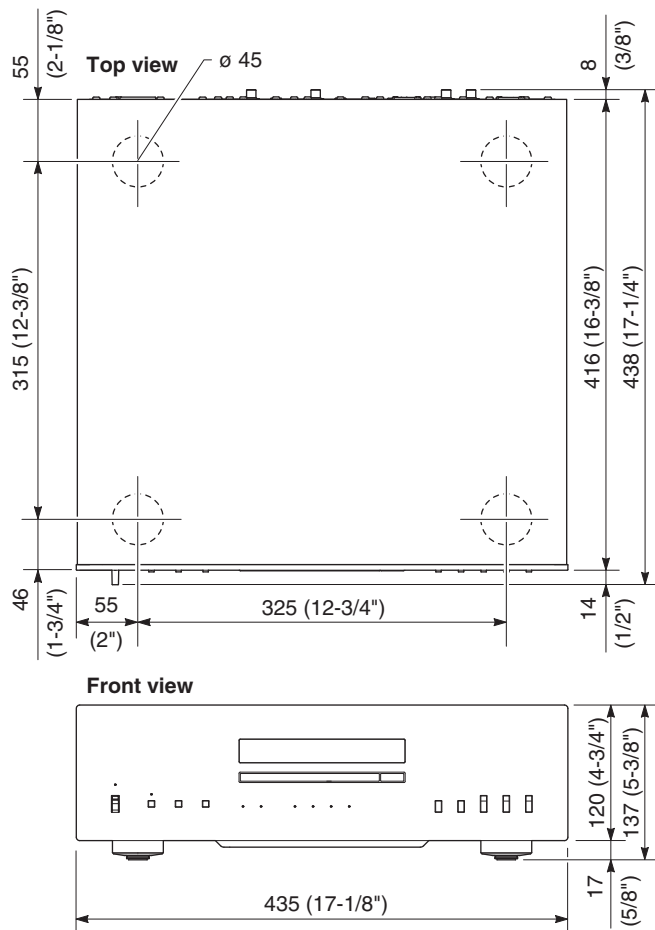
Remote control	x 1
Battery (R03, AAA, UM-4)	x 2
Audio pin cable (1.5 m)	x 1
Power cable (2.0 m)	x 1

* Specifications are subject to change without notice.

※ 参考仕様および外観は、製品の改良のため予告なく変更することがあります。

U	U.S.A. and Canadian model	G	European model
T	Chinese model	L	Singapore model
K	Korean model	V	Taiwan model
A	Australian model	S	Brazilian model
B	British model	J	Japanese model

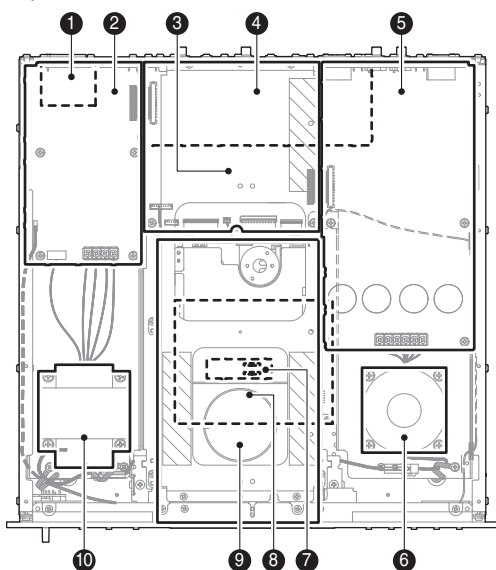
• **DIMENSIONS / 寸法図**



Unit: mm (inch)
単位: mm (インチ)

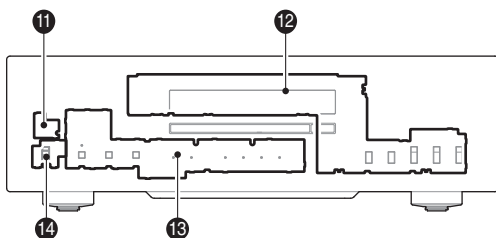
INTERNAL VIEW

Top view



- ① FRONT (8) P.C.B.
- ② FRONT (1) P.C.B.
- ③ DIGITAL P.C.B.
- ④ FRONT (2) P.C.B.
- ⑤ AUDIO P.C.B.
- ⑥ POWER TRANSFORMER for AUDIO
- ⑦ FRONT (7) P.C.B.
- ⑧ MODULE BOARD
- ⑨ LOADER MECHANISM UNIT
- ⑩ POWER TRANSFORMER for DIGITAL/FRONT
- ⑪ FRONT (5) P.C.B.
- ⑫ FRONT (3) P.C.B.
- ⑬ FRONT (4) P.C.B.
- ⑭ FRONT (6) P.C.B.

Front view



SERVICE PRECAUTIONS / サービス時の注意事項

Safety measures

- Some internal parts in this product contain high voltages and are dangerous.
Be sure to take safety measures during servicing, such as wearing insulating gloves.

- Note that the capacitors indicated below are dangerous even after the power is turned off because an electric charge remains and a high voltage continues to exist there.

Before starting any repair work, connect a discharging resistor (5 k-ohms/10 W) to the terminals of each capacitor indicated below to discharge electricity.

The time required for discharging is about 30 seconds per each.

C305 to C308 on AUDIO P.C.B.

C914 to C917 on FRONT (1) P.C.B.

C955 on FRONT (2) P.C.B.

For details, refer to "PRINTED CIRCUIT BOARDS".

Precaution for handling measuring instrument

Since the audio signal output of this unit is BALANCED OUT connected, the ground side of the measuring instrument to be connected to the audio signal output connector MUST be kept in floating condition.

安全対策

- この製品の内部には高電圧部分があり危険です。修理の際は、絶縁性の手袋を使用するなどの安全対策を行ってください。

- 下記のコンデンサには電源を OFF にした後も電荷が残り、高電圧が維持されており危険です。修理作業前に放電用抵抗 (5 kΩ/10 W) を下記の各コンデンサの端子間に接続して放電してください。放電所用時間は各々約 30 秒間です。

AUDIO P.C.B. の C305 ~ C308

FRONT (1) P.C.B. の C914 ~ C917

FRONT (2) P.C.B. の C955

詳しくは "PRINTED CIRCUIT BOARDS" を参照してください。

計測機器取り扱い上の注意

本機の音声出力は BALANCED OUT 接続となっており、音声出力端子に接続する計測器のアース側はフローティング状態に保つ必要があります。

■ DISASSEMBLY PROCEDURES / 分解手順

(Remove parts in the order as numbered.)
Disconnect the power cable from the AC outlet.

(番号順に部品を外してください。)
AC 電源コンセントから、電源コードを抜いてください。

1. Removal of Side Panel L and Side Panel R

- a. Remove 2 screws (①) together with the coned disc spring L and washer. (Fig. 1)
- b. Lift the side panel L a little, release hooks at 3 locations and then remove the side panel L. (Fig. 1)
- c. Remove 2 screws (②) together with the coned disc spring L and washer. (Fig. 1)
- d. Lift the side panel R a little, release hooks at 3 locations and remove the side panel R. (Fig. 1)

1. サイドパネル L、サイドパネル R の外し方

- a. ① のネジ 2 本をサラバネ L、ワッシャーと一緒に外します。(Fig. 1)
- b. サイドパネル L を少し持ち上げ、3 ヶ所のフックを外し、サイドパネル L を外します。(Fig. 1)
- c. ② のネジ 2 本をサラバネ L、ワッシャーと一緒に外します。(Fig. 1)
- d. サイドパネル R を少し持ち上げ、3 ヶ所のフックを外し、サイドパネル R を外します。(Fig. 1)

2. Removal of Top Cover

- a. Remove 7 screws (③) and 2 screws (④). (Fig. 1)
- b. Remove the top cover. (Fig. 1)

2. トップカバーの外し方

- a. ③ のネジ 7 本、④ のネジ 2 本を外します。(Fig. 1)
- b. トップカバーを外します。(Fig. 1)

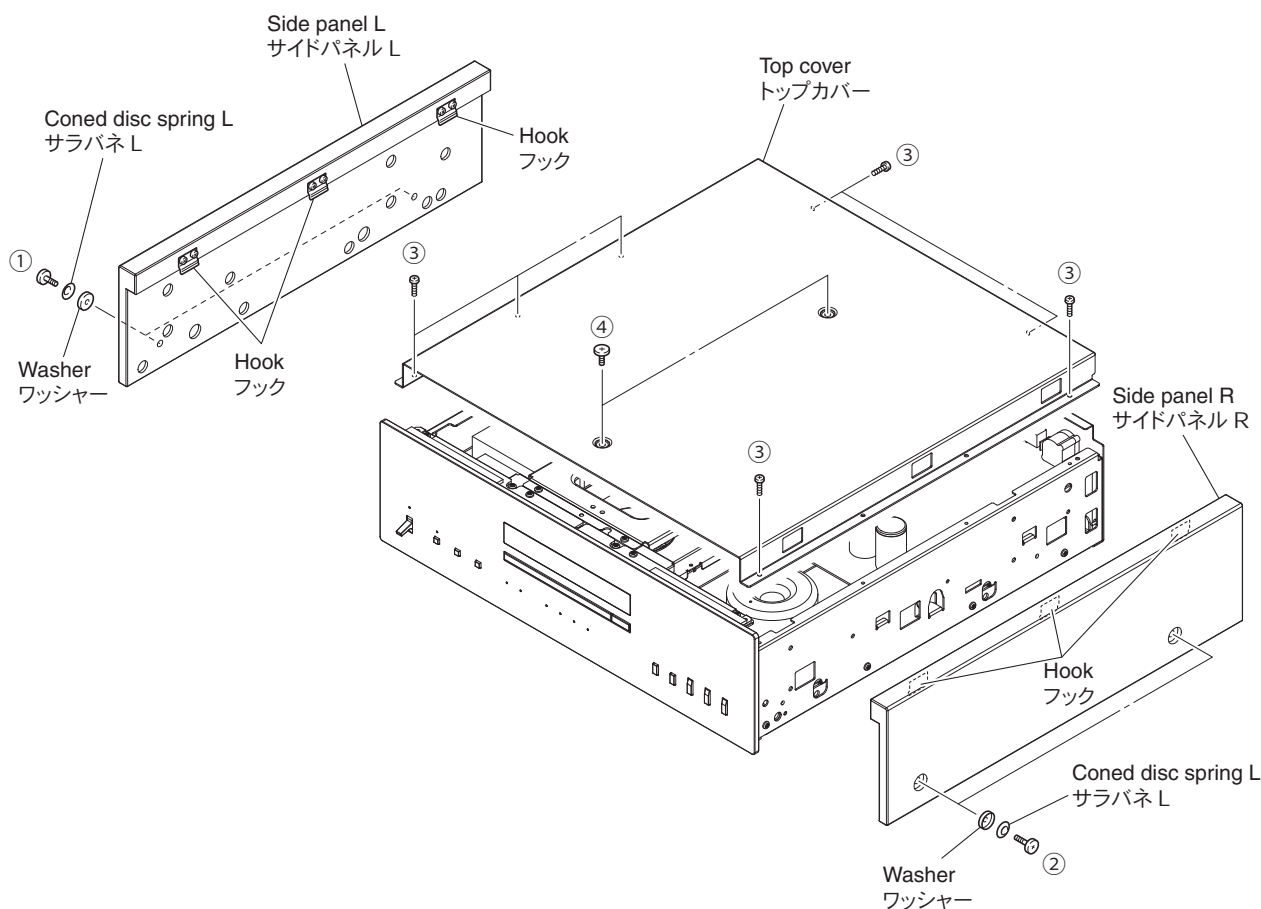


Fig. 1

3. Removal of Front Panel

- Using a flatblade screwdriver, move the slider at the bottom in the direction of the arrow shown below. (Fig. 2)
- * Tray lock will be released but will not come out.
- Push out the tray by pushing its rear. (Fig. 3)
- Using a phillips screwdriver, remove 2 screws (⑤) and then remove the lid. (Fig. 4)
- Close the tray by pushing its front.
- Remove CB911. (Fig. 4)
- Remove 8 screws (⑥). (Fig. 4)
- Remove the front panel forward gradually. (Fig. 4)
- Remove CB913. (Fig. 4)

3. フロントパネルの外し方

- マイナスドライバーで底面のスライダーを下図の矢印の方向に動かします。(Fig. 2)
※ このとき、トレイは押し出されません。
- トレイの後方を押し、トレイを押し出します。(Fig. 3)
- プラスドライバーで⑤のネジ2本を外し、リッドを外します。(Fig. 4)
- トレイの前方を押し、トレイを閉じます。
- CB911を外します。(Fig. 4)
- ⑥のネジ8本を外します。(Fig. 4)
- フロントパネルを前方へゆっくり外します。(Fig. 4)
- CB913を外します。(Fig. 4)

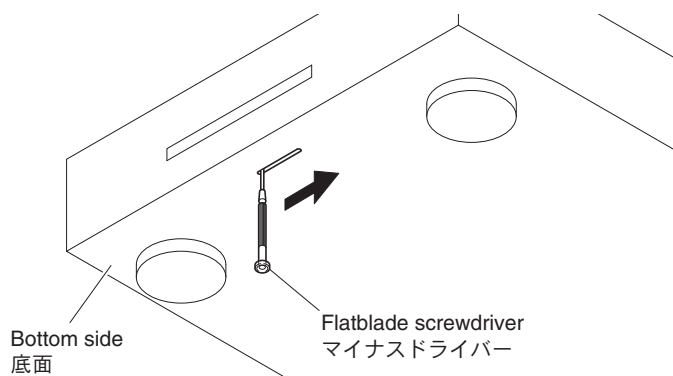


Fig. 2

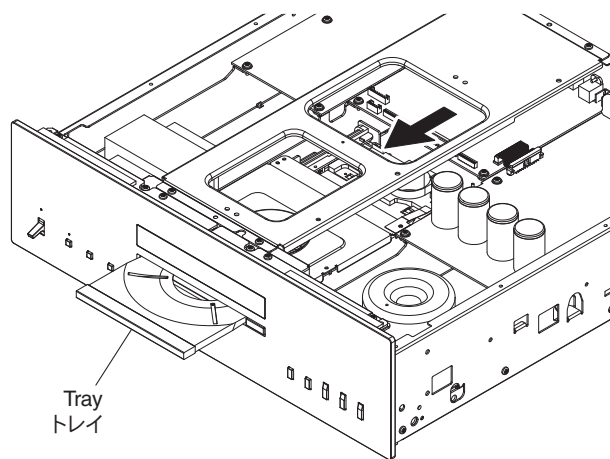


Fig. 3

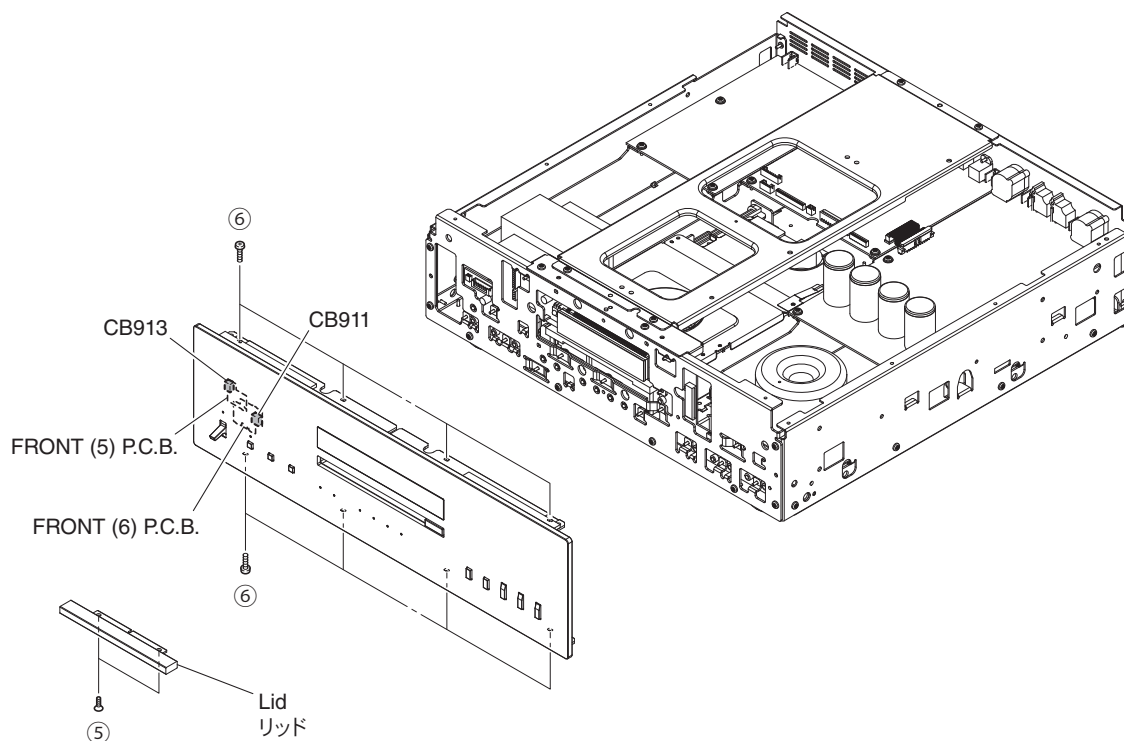


Fig. 4

4. Removal of Front Frame Assembly

- Remove 4 screws (7) and then remove the top frame. (Fig. 5)
- Remove 8 screws (8). (Fig. 5)
- Remove CB908, CB909 and CB910. (Fig. 5)
- Remove the front frame assembly. (Fig. 5)

5. Removal of AUDIO P.C.B.

- Remove 4 screws (9). (Fig. 5)
- Remove 6 screws (10) and disconnect 6 cables. (Fig. 5)
 - * Make sure that all the removed cables are reinstalled at specified positions. (Fig. 5)
- Remove 4 screws (11) and 4 screws (12). (Fig. 6)
- Remove CB1. (Fig. 5)
- Lift the front of AUDIO P.C.B. and then remove it. (Fig. 5)

4. フロントフレーム Ass'y の外し方

- 7 のネジ 4 本を外し、トップフレームを外します。(Fig. 5)
- 8 のネジ 8 本を外します。(Fig. 5)
- CB908、CB909、CB910 を外します。(Fig. 5)
- フロントフレーム Ass'y を外します。(Fig. 5)

5. AUDIO P.C.B. の外し方

- 9 のネジ 4 本を外します。(Fig. 5)
- 10 のネジ 6 本を外し、ケーブル 6 本を外します。(Fig. 5)
 - ※ 取り外したケーブルはすべて決められた位置に取り付けてください。(Fig. 5)
- 11 のネジ 4 本、12 のネジ 4 本を外します。(Fig. 6)
- CB1 を外します。(Fig. 5)
- AUDIO P.C.B. の前方を持ち上げて外します。(Fig. 5)

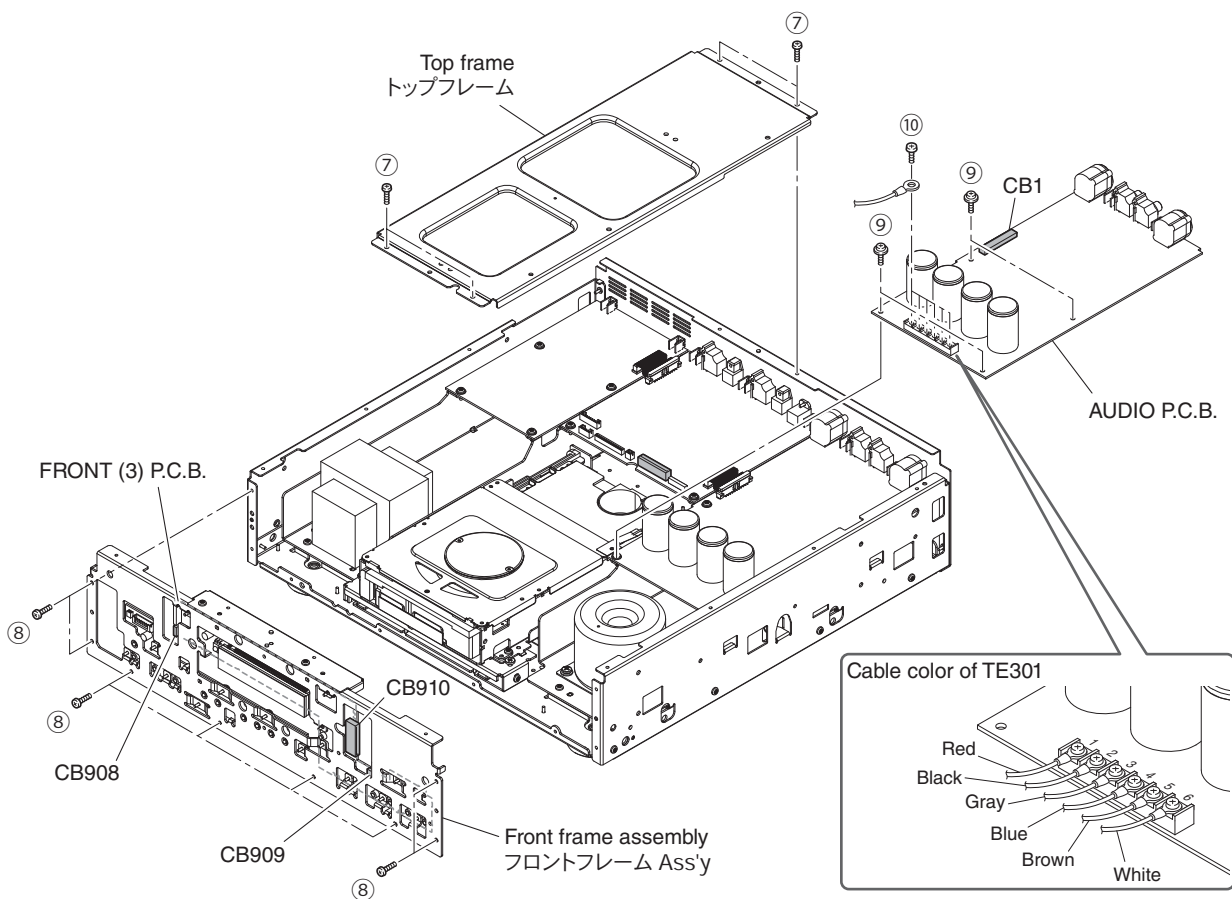


Fig. 5

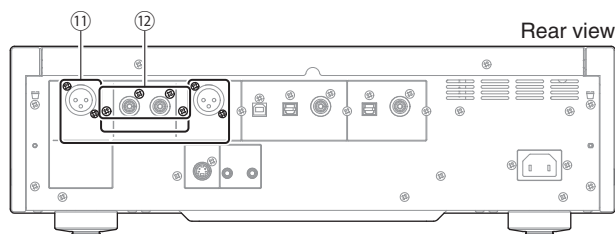


Fig. 6

6. Removal of Loader Mechanism Unit

- Remove 2 screws (13) and screw (14). (Fig. 7)
- Remove CB402, CB404 and CB407. (Fig. 7)
- Remove the loader mechanism unit. (Fig. 7)

6. ローダーメカユニットの外し方

- ⑬のネジ2本、⑭のネジ1本を外します。(Fig. 7)
- CB402、CB404、CB407を外します。(Fig. 7)
- ローダーメカユニットを外します。(Fig. 7)

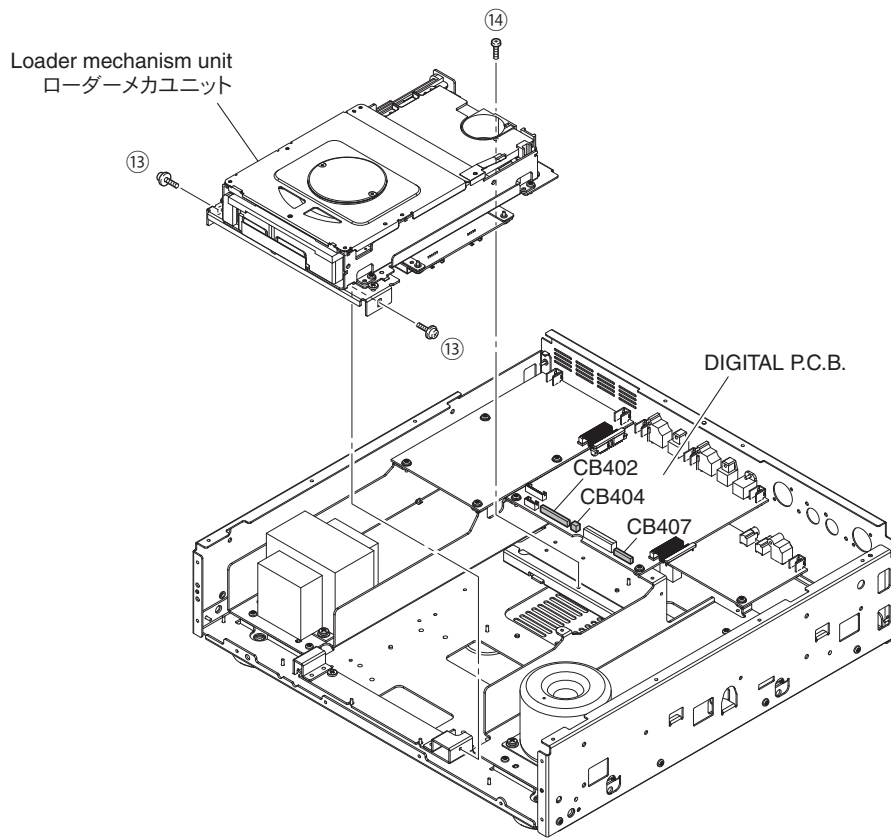


Fig. 7

● **When installing the Loader Mechanism Unit:**

When installing the loader mechanism unit, adjust its inclination so that the clearance between the front panel and lid becomes equal at the top, bottom, right and left.

1. Lock the disc tray by moving the slider at the bottom in the direction of the arrow shown below with a flatblade screwdriver. (Fig. A)

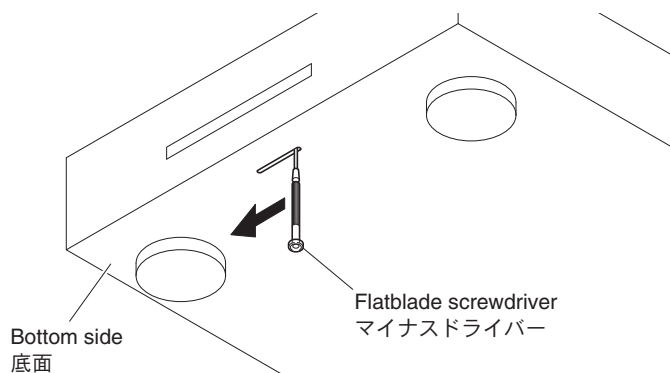


Fig. A

● **ローダーメカユニットを取り付ける場合：**

ローダーメカユニットを取り付ける場合には、フロントパネルとリッドの隙間が上下左右同じになるようにローダーメカユニットの傾きを調整してください。

1. マイナスドライバーで底面のスライダを下図の矢印の方向に動かし、ディスクトレイをロックします。(Fig. A)

2. Loosen screw (①) and 2 screws (②). (Fig. B)
3. Adjust the loader mechanism unit by moving it back and forth so that the “▲” (Open/Close) key and lid are aligned to the same position viewed from the top. (Fig. B)
4. Tighten screw (①) to fix the longitudinal position. (Fig. B)

2. ①のネジ1本と②のネジ2本を緩めます。(Fig. B)
3. 上側から見て“▲”(開閉)キーとリッドが同じ位置になるように、ローダーメカユニットを前後に動かして調整します。(Fig. B)
4. ①のネジ1本を締めて、前後の位置を固定します。(Fig. B)

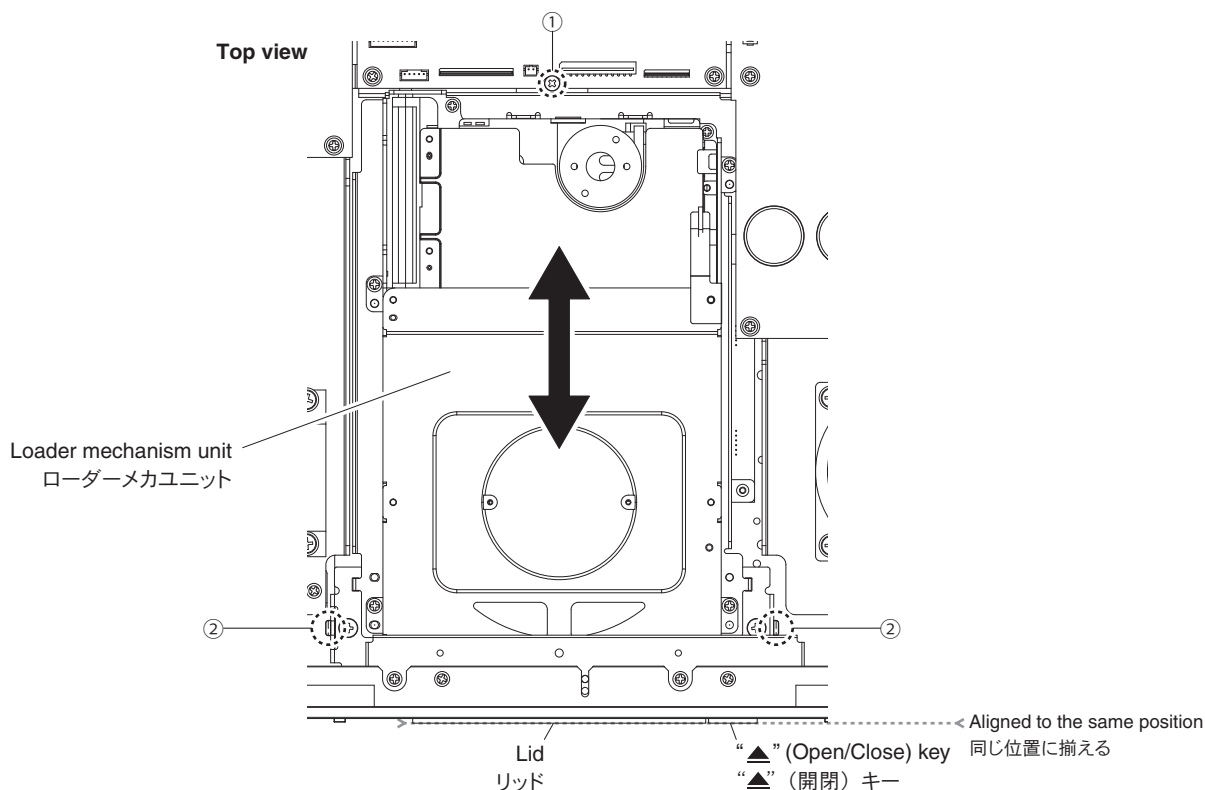


Fig. B

5. Turning screw (③), adjust the lid so that it becomes horizontal viewed from the front. (Fig. C)

To change the position upward, loosen screw (③) by turning it clockwise.

To change the position downward, tighten screw (③) by turning it counterclockwise.

- * Turn screw (③) gradually and slowly.
- * Be sure to adjust at one side, either right or left, first and then at the other side.
- * The screws marked (②) and (③) have adhesive applied after adjustment.

When removing such screws and retightening them, remove the adhesive from each screw thoroughly first. Then after adjustment, apply adhesive to it and tighten it again.

Note that if no adhesive is applied to the screw, it may become loose.

Recommended adhesive:
ThreeBond Screw-lock 1400 series 1401B

6. Fix the vertical position by tightening 2 screws (②). (Fig. C)

5. 前面から見てリッドが水平になるように、③のネジを回して調整します。(Fig. C)

位置を上方向に変更する場合は、③のネジを右へ回して緩めます。

下方向に変更する場合は、③のネジを左へ回して締めます。

※ ③のネジは、ゆっくりと少しずつ回してください。

※ 調整は必ず、左右のどちらか一方からおこなってください。

※ ②、③のネジには、調整後に接着剤が塗布されています。

ネジを外してもう一度締め直す場合は、ネジに塗布された接着剤をきれいに取り除き、調整後に接着剤を塗布し直してください。

ネジに接着剤を塗布しないとネジが緩む場合があります。

推奨接着剤：
スリーボンド ネジロック 1400 シリーズ 1401B

6. ②のネジ2本を締めて、上下の位置を固定します。(Fig. C)

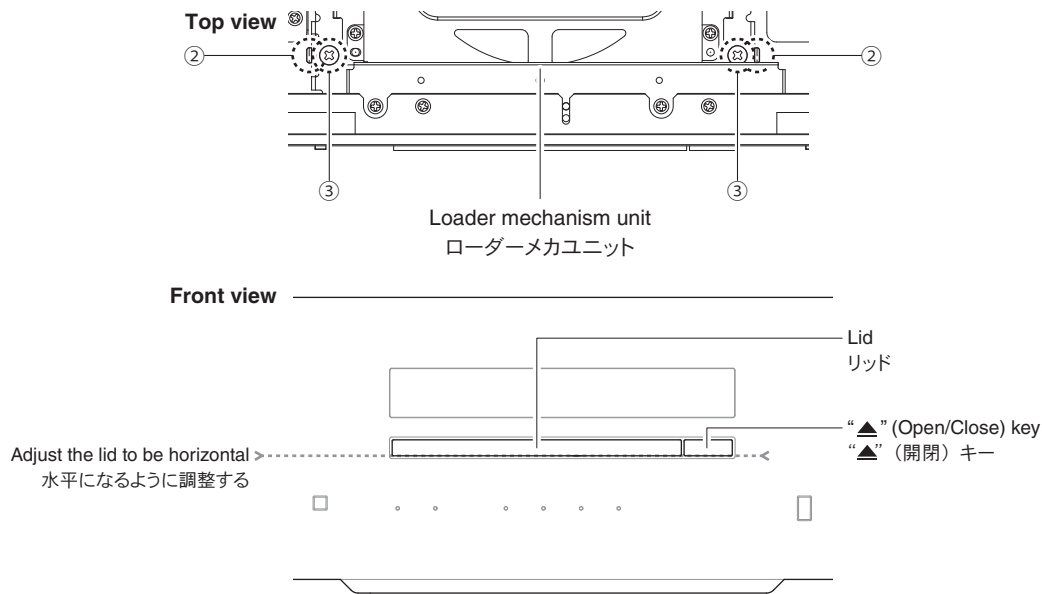


Fig. C

7. Adjust the lid so that the clearance around the disc tray becomes equal viewed from the front. (Fig. D)

7. 前面から見てディスクトレイの隙間が均一になるように、リッドを調整します。(Fig. D)

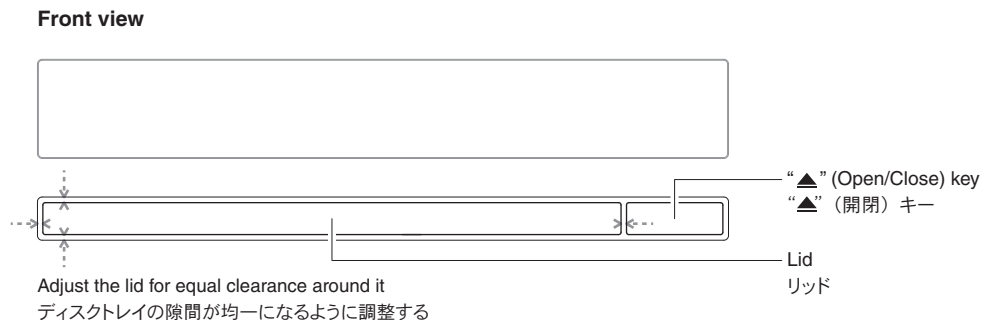


Fig. D

8. Using a flatblade screwdriver, move the slider at the bottom in the direction of the arrow shown below. (Fig. E)
- * At this time, the disc tray is not pushed out.
9. Push out the disc tray by pushing its rear. (Fig. E)
10. Loosen 2 screws (④) and adjust the lid position. (Fig. E)
11. Tighten 2 screws (④). (Fig. E)
12. Close the disc tray by pushing its front and lock it. (Fig. E)

8. マイナスドライバーで底面のスライダーを下図の矢印の方向に動かします。(Fig. E)
- ※ このとき、ディスクトレイは押し出されません。
9. ディスクトレイの後方を押し、ディスクトレイを押し出します。(Fig. E)
10. ④のネジ2本を緩め、リッドの位置を調整します。(Fig. E)
11. ④のネジ2本を締めます。(Fig. E)
12. ディスクトレイの前方を押し、ディスクトレイを閉じ、ロックします。(Fig. E)

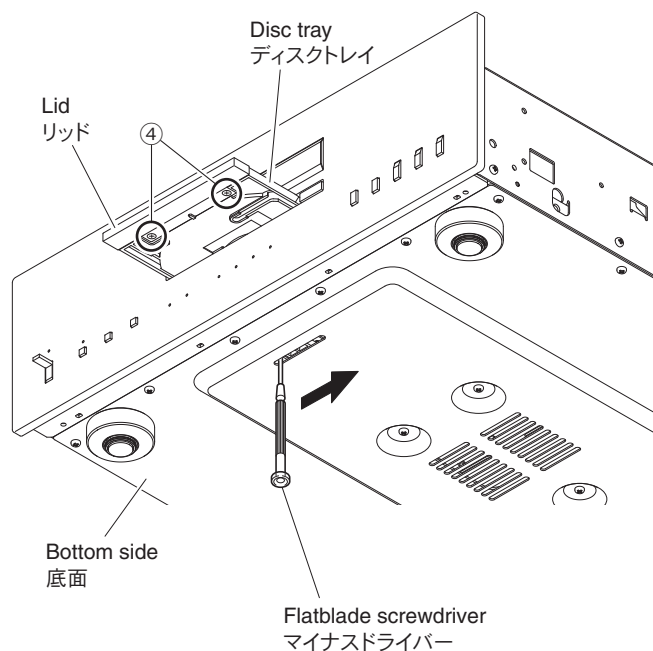


Fig. E

7. Removal of DIGITAL P.C.B.

- Remove 2 screws (15). (Fig. 8)
- Remove 7 screws (16) and screw (17). (Fig. 9)
- Remove CB406 and CB410. (Fig. 8)
- Remove the DIGITAL P.C.B. (Fig. 8)

8. Removal of FRONT (1) P.C.B.

- Remove 4 screws (18). (Fig. 8)
- Remove 4 screws (19) and disconnect 4 cables. (Fig. 8)
 - * Make sure that all the removed cables are reinstalled at specified positions. (Fig. 8)
- Remove 2 screws (20). (Fig. 9)
- Remove CB901. (Fig. 8)
- Remove the FRONT (1) P.C.B. (Fig. 8)

9. Removal of FRONT (2) and (8) P.C.B.s

- Remove 2 screws (21). (Fig. 8)
- Remove 4 screws (22) and disconnect 4 cables. (Fig. 8)
 - * Make sure that all the removed cables are reinstalled at specified positions. (Fig. 8)
- Remove 5 screws (23). (Fig. 9)
- Remove the FRONT (2) and (8) P.C.B. (Fig. 8)

7. DIGITAL P.C.B. の外し方

- ⑮のネジ2本を外します。(Fig. 8)
- ⑯のネジ7本、⑰のネジ1本を外します。(Fig. 9)
- CB406、CB410を外します。(Fig. 8)
- DIGITAL P.C.B.を外します。(Fig. 8)

8. FRONT (1) P.C.B. の外し方

- ⑱のネジ4本を外します。(Fig. 8)
- ⑲のネジ4本を外し、ケーブル4本を外します。(Fig. 8)
 - ※ 取り外したケーブルはすべて決められた位置に取り付けてください。(Fig. 8)
- ⑳のネジ2本を外します。(Fig. 9)
- CB901を外します。(Fig. 8)
- FRONT (1) P.C.B.を外します。(Fig. 8)

9. FRONT (2)、(8) P.C.B. の外し方

- ㉑のネジ2本を外します。(Fig. 8)
- ㉒のネジ4本を外し、ケーブル4本を外します。(Fig. 8)
 - ※ 取り外したケーブルはすべて決められた位置に取り付けてください。(Fig. 8)
- ㉓のネジ5本を外します。(Fig. 9)
- FRONT (2)、(8) P.C.B.を外します。(Fig. 8)

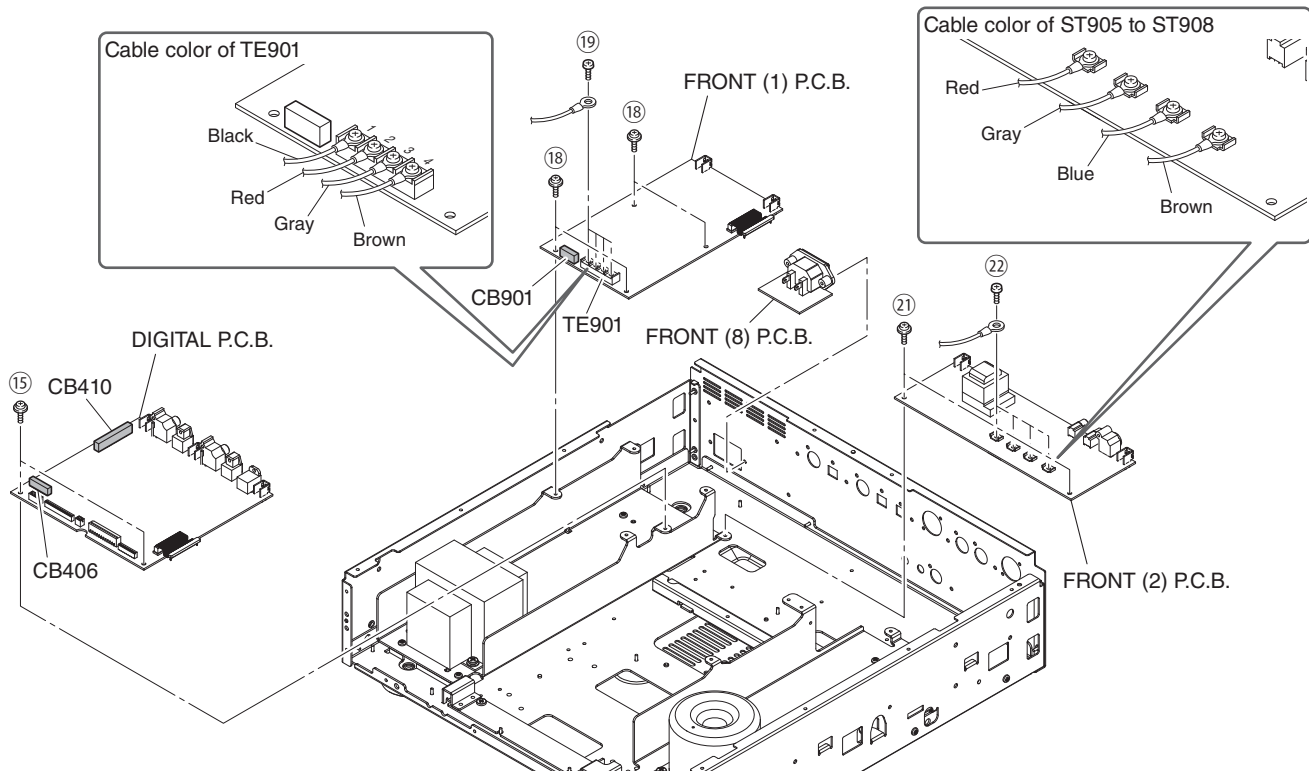


Fig. 8

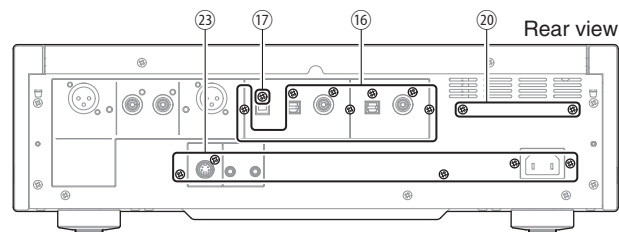


Fig. 9

10. Removal of Power Transformer

- Remove 4 screws (24). (Fig. 10)
- Remove the power transformer for AUDIO P.C.B. together with the support. (Fig. 10)
- Remove 4 screws (25). (Fig. 10)
- Remove the power transformer for DIGITAL P.C.B. / FRONT P.C.B. together with the support. (Fig. 10)

10. 電源トランスの外し方

- ②④ のネジ 4 本を外します。(Fig. 10)
- AUDIO P.C.B. 用の電源トランスを、サポートと一緒に外します。(Fig. 10)
- ②⑤ のネジ 4 本を外します。(Fig. 10)
- DIGITAL P.C.B. / FRONT P.C.B. 用の電源トランスを、サポートと一緒に外します。(Fig. 10)

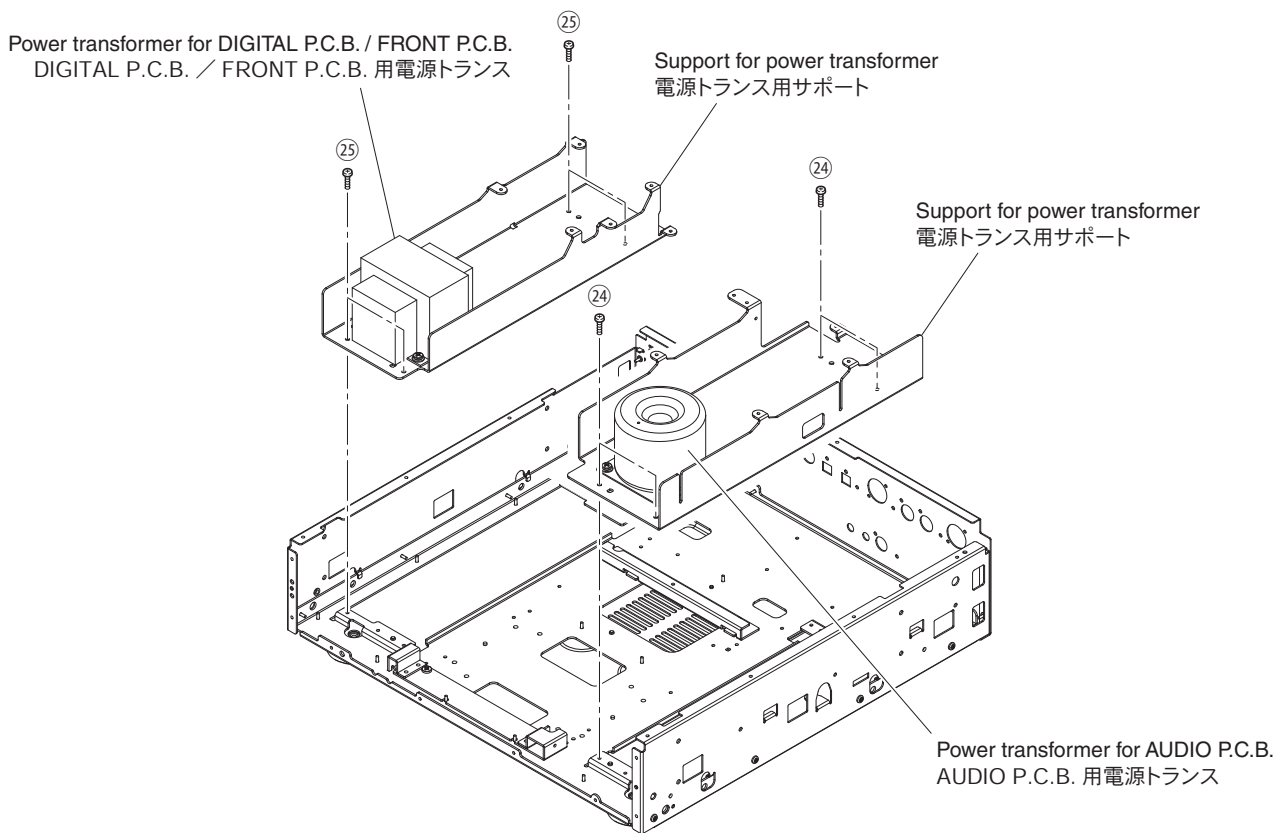


Fig. 10

● Disassembly of Loader Mechanism Unit

1. Removal of Module Board

- Remove 6 screws (26) and then remove the clamp assembly. (Fig. 11)
- Solder the lands in the P.C.B. of the loader mechanism unit with the anti-static soldering iron. (Fig. 11)

Note: After you have finished repairing, remove the solder from the short-circuit location with the antistatic soldering iron.

- Remove CN210 and CN211. (Fig. 11)
- Remove 5 screws (27). (Fig. 11)
- Remove the module board. (Fig. 11)
- Remove push rivet. (Fig. 11)
- Remove the radiation plate and radiation sheet. (Fig. 11)

● ローダーメカユニットの分解手順

1. モジュールボードの外し方

- 26 のネジ 6 本を外し、クランプ Ass'y を外します。 (Fig. 11)
- ローダーメカユニットの P.C.B. 上の端子間を静電気対策はんだこてを使用してショートします。 (Fig. 11)

注意： 修理終了時は、静電気対策はんだこてを使用してショート箇所からはんだを除去します。

- CN210、CN211 を外します。 (Fig. 11)
- 27 のネジ 5 本を外します。 (Fig. 11)
- モジュールボードを外します。 (Fig. 11)
- プッシュリベットを外します。 (Fig. 11)
- 放熱プレート、放熱シートを外します。 (Fig. 11)

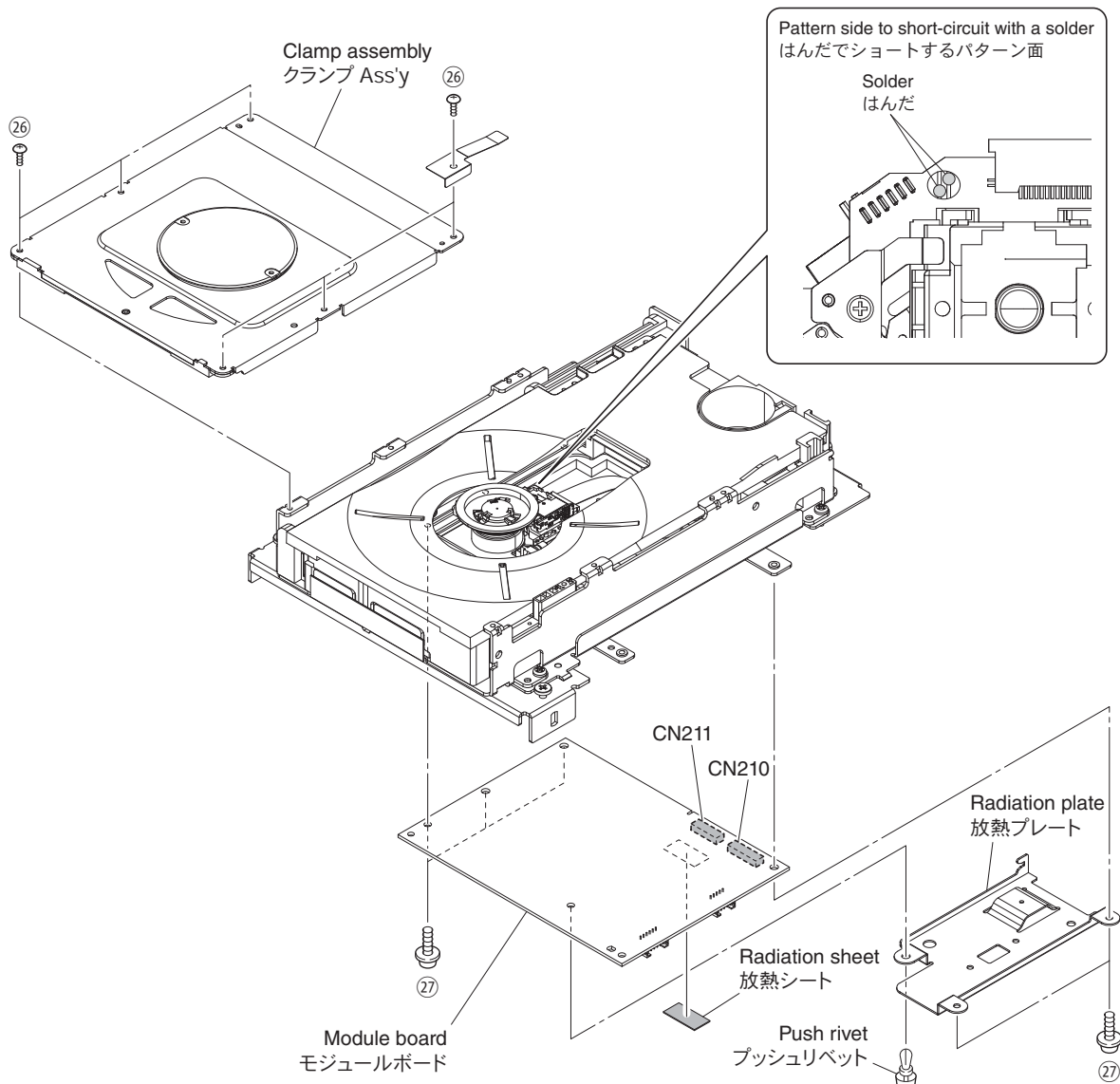


Fig. 11

2. Removal of Loading Belt

- Push out the disc tray by pushing its rear. (Fig. 12)
- Remove 2 screws (28) and then remove the disc tray. (Fig. 12)
- Remove 2 screws (29). (Fig. 12)
- Remove the CD traverse mechanism together with the holder PU/SA-CD. (Fig. 12)
- Remove 2 screws (30) and then remove the rear block. (Fig. 12)
- Remove the loading belt M and loading belt GS. (Fig. 12)
- Remove 3 screws (31) and then remove the front block. (Fig. 12)
- Remove the loading belt S and loading belt M. (Fig. 12)

2. ローディングベルトの外し方

- ディスクトレイの後方を押し、ディスクトレイを押し出します。(Fig. 12)
- 28のネジ2本を外し、ディスクトレイを外します。(Fig. 12)
- 29のネジ2本を外します。(Fig. 12)
- CDトラバースメカをホルダーPU/SA-CDと一緒に外します。(Fig. 12)
- 30のネジ2本を外し、リアブロックを外します。(Fig. 12)
- ローディングベルトM、ローディングベルトGSを外します。(Fig. 12)
- 31のネジ3本を外し、フロントブロックを外します。(Fig. 12)
- ローディングベルトS、ローディングベルトMを外します。(Fig. 12)

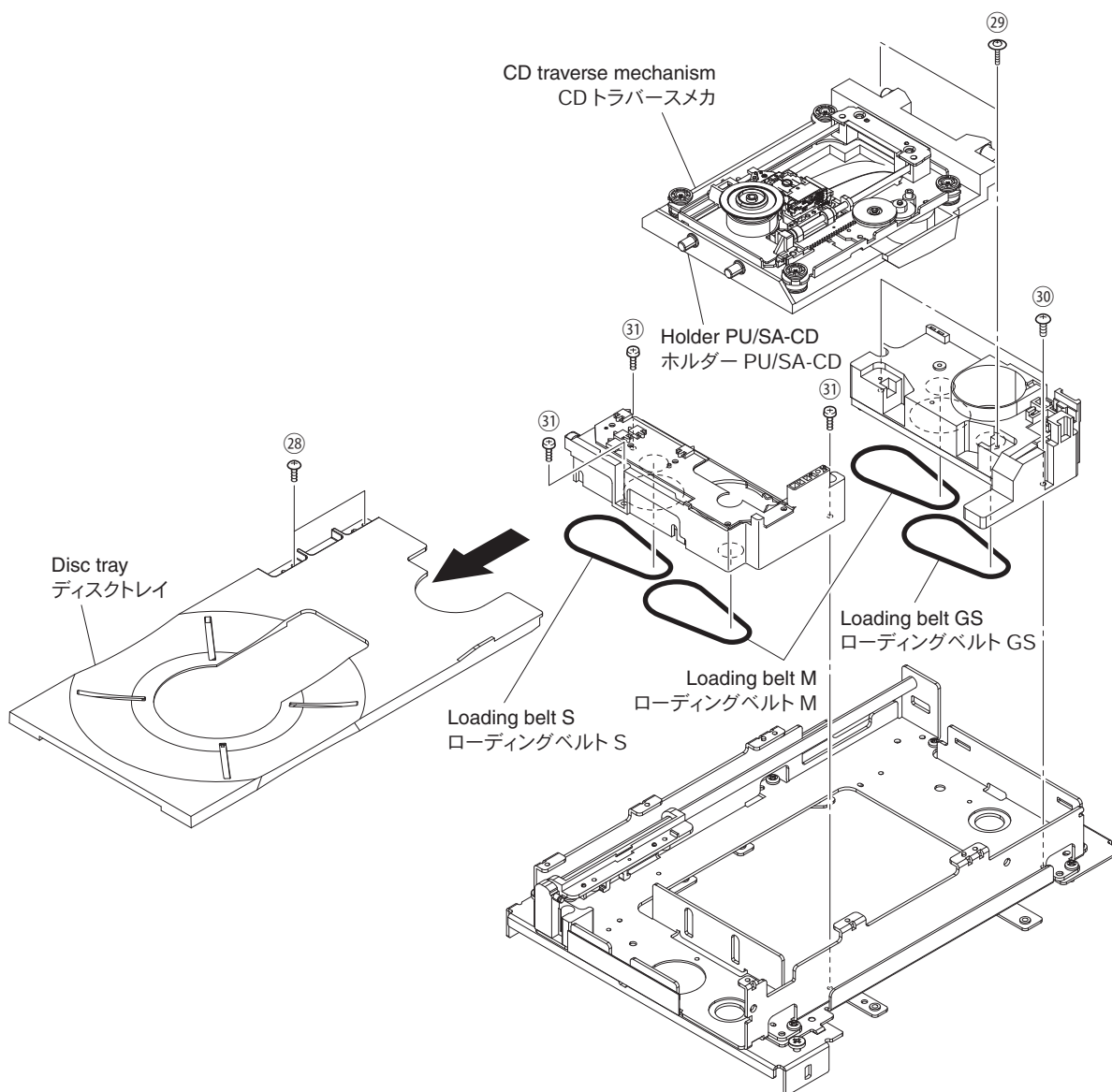


Fig. 12

■ UPDATING FIRMWARE / ファームウェアのアップデート

Writing to the microprocessor

When the following parts are replaced, the firmware must be updated to the latest version.

DIGITAL P.C.B.

Main microprocessor: IC404 on DIGITAL P.C.B.

● Confirmation of firmware version and checksum

Before and after updating the firmware, check the firmware version and checksum by using the self-diagnostic function menu.

Start up the self-diagnostic function and select "1. ROM VERSION/CHECKSUM" menu.

Using the sub-menu, have the firmware version and checksum displayed, and note them down.

(For details, refer to "SELF-DIAGNOSTIC FUNCTION")

- * When the firmware version is different from written one after updating, perform the updating procedure again from the beginning.

● Required tools

- Firmware downloader program
..... FlashSta.exe
- Firmware CDS2100_xxxx.mot
..... CDS2100_xxxx.id
- RS-232C cross cable "D-sub 9 pin female"
(Specifications)

Pin No.2 RxD	—————	Pin No.2 RxD
Pin No.3 TxD	—————	Pin No.3 TxD
Pin No.5 GND	—————	Pin No.5 GND
Pin No.7 RTS	—————	Pin No.7 RTS
Pin No.8 CTS	—————	Pin No.8 CTS
- RS-232C conversion adaptor
(version 4.0, Part No.: WZ064500)

● Preparation and precautions

- Download the firmware downloader program and the latest firmware from the specified download source to the same folder of the PC.
- Prepare the above specified RS-232C cross cable.
- While writing the firmware, keep the other application software on the PC closed.
It is also recommended to keep the software on the task tray closed as well.

マイコンへの書き込み

下記の部品を交換した場合、ファームウェアを最新バージョンにアップデートする必要があります。

DIGITAL P.C.B.

メインマイコン：DIGITAL P.C.B. の IC404

● ファームウェアのバージョンとチェックサムの確認

ファームウェアのアップデートの前後に、ファームウェアのバージョンとチェックサムをダイアグで確認します。

ダイアグを起動し、“1. ROM VERSION/CHECKSUM”メニューを選択します。

サブメニューでファームウェアのバージョンとチェックサムを表示し、それらを書きとめます。
(詳細は“ダイアグ”を参照してください。)

- ※ アップデート後、ファームウェアのバージョンが書き込まれたものと異なる場合、アップデートの操作を最初からやり直してください。

● 必要なツール

- ファームウェア書き込み用プログラム
..... FlashSta.exe
- ファームウェア CDS2100_xxxx.mot
..... CDS2100_xxxx.id
- RS-232C クロスケーブル “D-sub 9pin メス”
(仕様)

Pin No.2 RxD	—————	Pin No.2 RxD
Pin No.3 TxD	—————	Pin No.3 TxD
Pin No.5 GND	—————	Pin No.5 GND
Pin No.7 RTS	—————	Pin No.7 RTS
Pin No.8 CTS	—————	Pin No.8 CTS
- RS-232C 変換アダプター
(バージョン 4.0、部品番号：WZ064500)

● 準備と注意

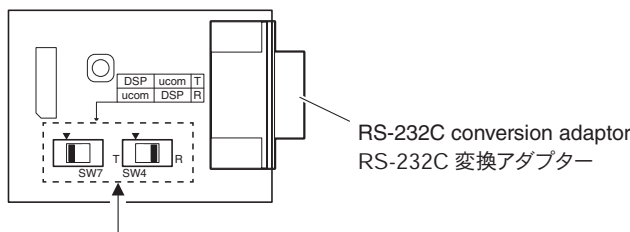
- 指定のダウンロード先から、ファームウェア書き込み用プログラムと最新のファームウェアを、PCの同じフォルダにダウンロードしてください。
- RS-232C クロスケーブルは必ず上記仕様のもので用意してください。
- 書き込み時は、PC上の他のアプリケーションソフトは閉じてください。
さらに、タスクトレイ上にあるソフトも閉じておくことを推奨します。

● Connection

- * Disconnect the power cable of this unit from the AC outlet.
- Set the switches on RS-232C conversion adaptor as shown below. (Fig. 1)

● 接続

- ※ 本機の電源コードを AC コンセントから抜きます。
- RS-232C 変換アダプターのスイッチを下記のように設定します。(Fig. 1)



Switches Setting / スイッチ設定

Microprocessor type	Firmware to be updated	SW7	SW4
T type	Microprocessor firmware writing mode マイコンファームウェア書き込みモード		T R
	Self-diagnostic function mode ダイアグモード		T R
R type	Microprocessor firmware writing mode マイコンファームウェア書き込みモード		T R
	Self-diagnostic function mode ダイアグモード		T R

Fig. 1

- Remove the top panel of the this unit.
(For details, refer to "DISASSEMBLY PROCEDURES")
 - Connect the serial port (RS-232C) of the PC to the writing port (CB403 on DIGITAL P.C.B.) of this unit as shown below. (Fig. 2)
- 本機のトップパネルを外します。
(詳細は "分解手順" を参照してください。)
 - 本機の書き込み用ポート (DIGITAL P.C.B. の CB403) と PC のシリアルポート (RS-232C) を下記のように接続します。(Fig. 2)

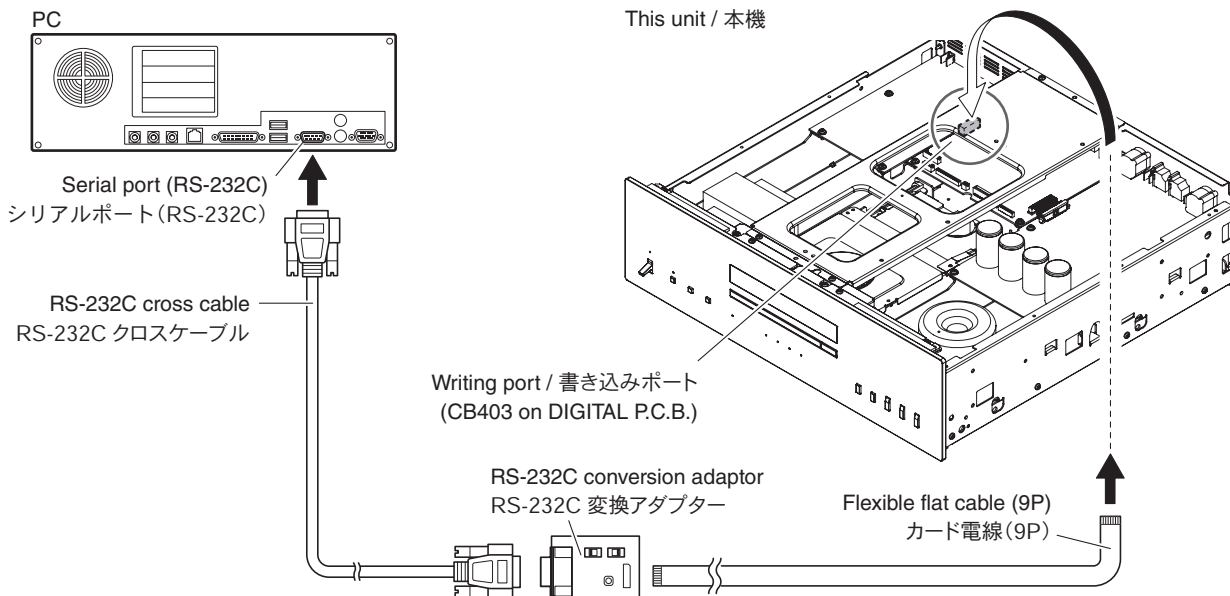


Fig. 2

● Operation procedures

1. Set the "STANDBY/ON, OFF" (U, K, A, B, G, L, V, S models) / "⏻" (Power) (T model) switch to the "ON" position.
2. Connect the power cable of this unit to the AC outlet.
The power to this unit is supplied and the microprocessor is in the writing mode.
3. Start up FlashSta.exe.
The screen appears as shown below. (Fig. 3)
4. Select the data to be transmitted and port. (Fig. 3)

● Select Program

Select Internal flash memory.

● RS232C

Select the port of RS-232C.

- * For selection of the port, COM1 to 4 can be used.
As COM5 or higher port cannot be used, select out of COM 1 to 4 of the setting on the PC side.

● 操作方法

1. "STANDBY/ON、OFF" (電源) スイッチを "ON" にします。
2. 本機の電源コードを AC コンセントに接続します。本機に電源が入り、マイコンが書き込みモードになります。
3. FlashSta.exe を起動します。
下記の画面が表示されます。(Fig. 3)
4. 送信データ、ポートを選択します。(Fig. 3)

● Select Program

Internal flash memory を選択します。

● RS232C

接続している RS-232C ポートを選択します。

※ ポートの選択は COM1 ～ 4 までが使用できます。

COM5 以上は使用できませんので、PC 側の設定で COM1 ～ 4 を選択してください。



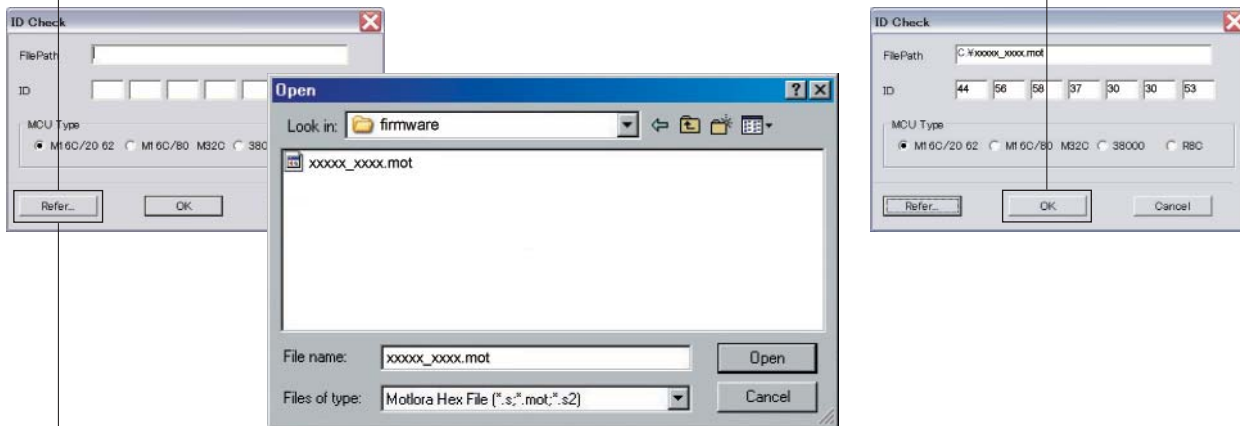
Fig. 3

5. Click [Refer...] and select the firmware name. (Fig. 4)

5. [Refer...] をクリックし、書き込むファームウェアを選択します。(Fig. 4)

* The ID and MCU Type are loaded automatically when the file is selected. (Fig. 4)
Click [OK]. (Fig. 4)

* ID、および MCU Type は書き込みファイル選択後、自動的に取り込まれます。(Fig. 4)
[OK] をクリックします。(Fig. 4)



When [Refer...] is clicked, the "Open" screen appears
[Refer...] をクリックすると「ファイルを開く」が表示されます

Fig. 4

6. Click [Setting], and set the baud rate. (Fig. 5)

6. [Setting] をクリックし、通信速度の設定を行います。(Fig. 5)

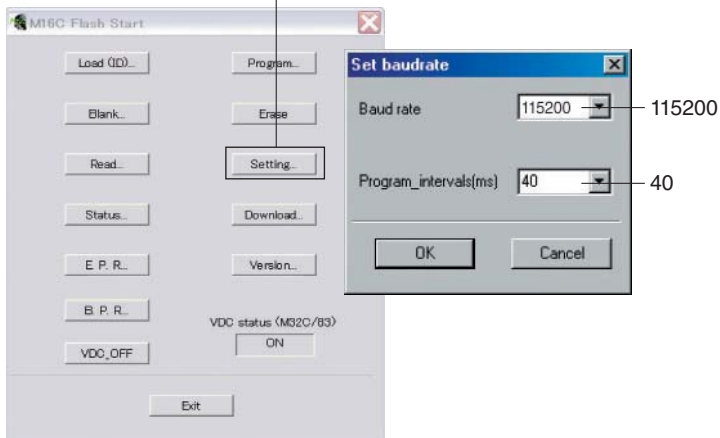


Fig. 5

7. Click [E.P.R.], then the "Erase" screen appears. (Fig. 6)
8. Click [OK] to start writing. (Fig. 6)

7. [E.P.R.] をクリックすると、「Erase」が表示されま
す。(Fig. 6)
8. [OK] をクリックして書き込みを開始します。
(Fig. 6)

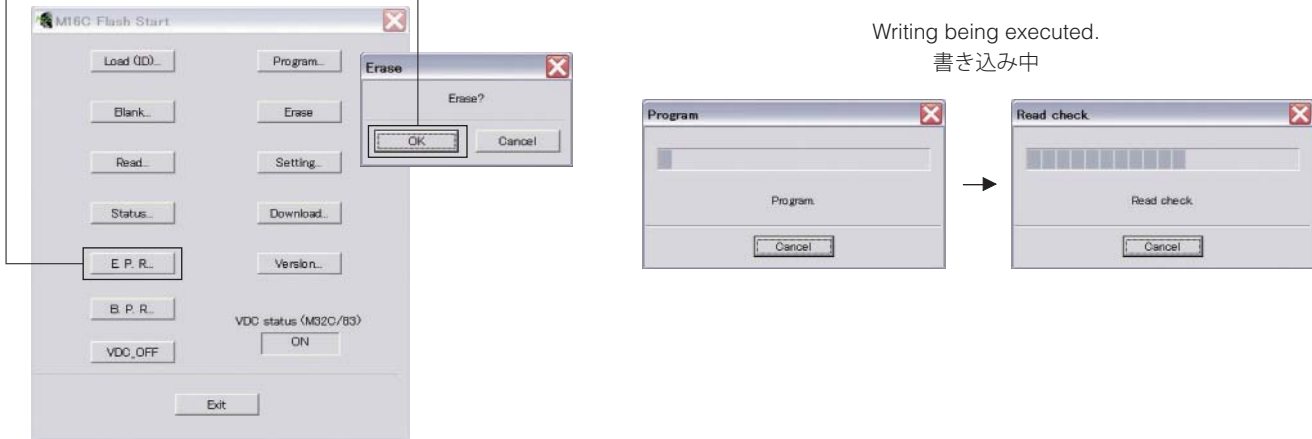


Fig. 6

9. When writing of the firmware is completed, the screen appears as shown below. (Fig. 7)
Click [OK]. (Fig. 7)
10. Click [Exit] to end FlashSta.exe. (Fig. 7)

9. ファームウェアの書き込みが完了すると、以下の
画面が表示されます。(Fig. 7)
[OK] をクリックします。(Fig. 7)
10. [Exit] をクリックして FlashSta.exe を終了します。
(Fig. 7)

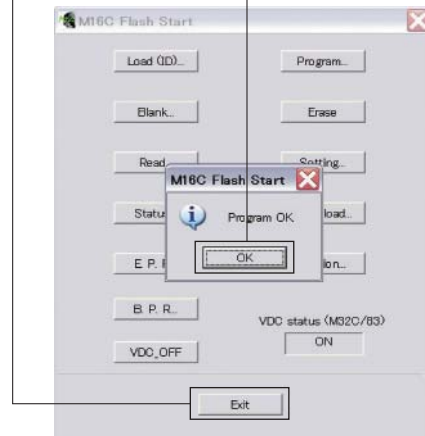


Fig. 7

11. Disconnect the power cable of this unit from the AC outlet.
12. Remove the RS-232C conversion adaptor and flexible flat cable from the writing port (CB403 on DIGITAL P.C.B.) of this unit.
13. Connect the power cable of this unit to the AC outlet, start up the self-diagnostic function and check that the firmware version is the same as written one. (For details, refer to "Confirmation of firmware version and checksum")

11. 本機の電源コードを AC コンセントから抜きます。
12. 本機の書き込み用ポート (DIGITAL P.C.B. の CB403) から RS-232C 変換アダプターとカード電線を取り外します。
13. 本機の電源コードを AC コンセントに接続してダイアグを起動し、ファームウェアバージョンが書き込まれたものと同じであることをチェックします。(詳細は「ファームウェアのバージョンとチェックサムの確認」を参照してください。)

Writing to the Module Board

After replacing the Module board with the replacement part, be sure to write the latest firmware.

● **Required tools**

Firmware CD

- * Download the latest firmware from the specified download source and create the firmware CD.

Firmware

- build.img
 - update.ver
 - attach folder *
 - * When making the firmware CD, include the sample music data in the “attach folder” together.
- If only the build.img is used to create the firmware CD, an error may occur when writing into the module board because the data capacity of the build.img is small.

● **Operation procedures**

CAUTION: Do not turn off the power while updating the firmware.

1. Connect the power cable to the AC outlet.
2. Set the “STANDBY/ON, OFF” (U, K, A, B, G, L, V, S models) / “⏻” (Power) (T model) switch to the “ON” position. (Fig. 1)
3. Press the “▲” (OPEN/CLOSE) key to open the tray. (Fig. 1)

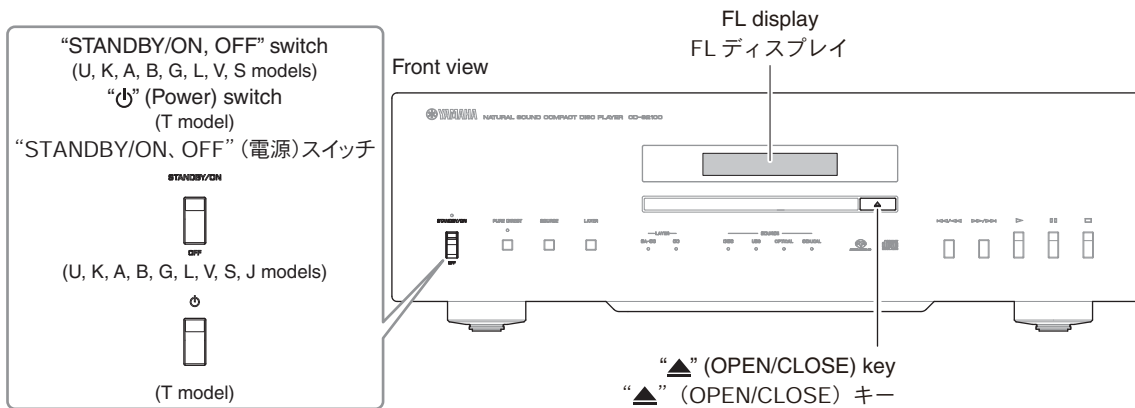


Fig. 1

4. Put the firmware CD on the tray and close the tray. Then “Update? ▶ or ▲” is displayed.

モジュールボードへの書き込み

モジュールボードをサービス部品に交換した場合、最新のファームウェアの書き込みを行ってください。

● **必要なツール**

ファームウェア CD

- * 指定のダウンロード先から最新のファームウェアをダウンロードして、ファームウェア CD を製作してください。

ファームウェア

- build.img
 - update.ver
 - attach folder *
 - * ファームウェア CD には “attach folder” 内のサンプル用音楽データを一緒に入れて製作してください。
- build.img のデータ容量が少ないため、build.img のみでファームウェア CD を製作した場合、モジュールボードへの書き込み時にエラーを起こすことがあります。

● **操作方法**

注意：ファームウェアの書き込み中に電源を切らないでください。

1. 電源コードを AC コンセントに接続します。
2. “STANDBY/ON、OFF” (電源) スイッチを “ON” にします。(Fig. 1)
3. “▲” (OPEN/CLOSE) キーを押し、トレイを開きます。(Fig. 1)

4. ファームウェア CD をトレイに載せ、トレイを閉じます。すると、“Update? ▶ or ▲” が表示されます。



5. Press the "▶" (PLAY) key, and then writing of the firmware is started. (Fig. 2)

5. "▶" (PLAY) キーを押し、書き込みを開始します。(Fig. 2)

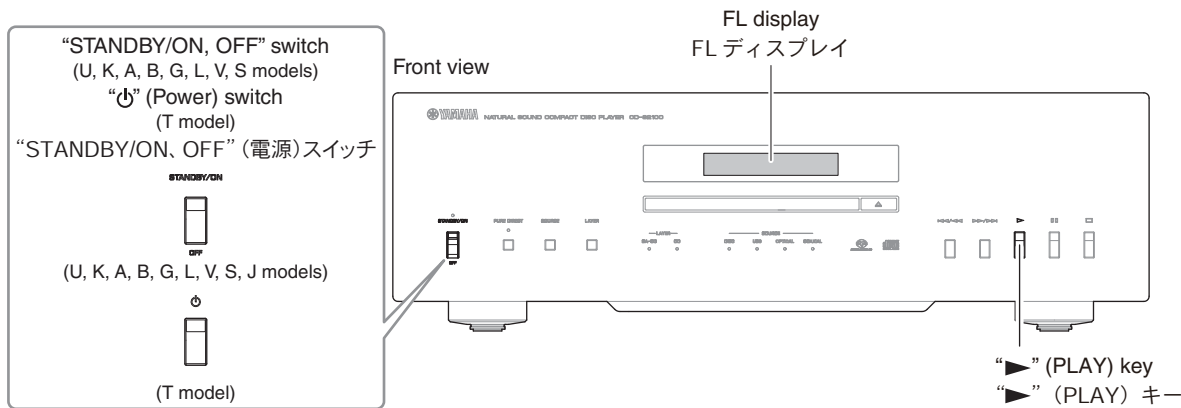
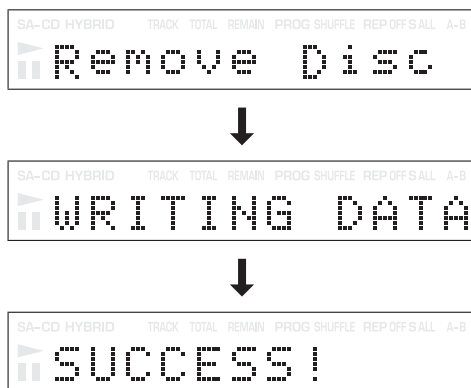


Fig. 2

6. After about 30 seconds, the tray opens automatically. Remove the firmware CD.
 - * At this time, do not turn off the power as writing of the firmware is going on in this unit.
 - * Writing takes about 1 minute 30 seconds.

6. 約30秒後、自動的にトレイが開きます。ファームウェアCDを取り出します。
 - ※ このとき、本機はファームウェアの書き込みを継続しています。電源は切らないでください。
 - ※ 書き込み時間は、約1分30秒ほどかかります。



7. After writing is over, the system is restarted automatically.
8. After "NO DISC" is displayed, set the "STANDBY/ON, OFF" (U, K, A, B, G, L, V, S models) / "φ" (Power) (T model) switch to the "OFF" position.
9. Start up the self-diagnostic function and check that the firmware version is the same as written one. (For details, refer to "Confirmation of firmware version and checksum")

7. 書き込み終了後、自動的に再起動します。
8. "NO DISC" と表示された後、"STANDBY/ON, OFF" (電源) スイッチを "OFF" にします。
9. ダイアグを起動し、ファームウェアバージョンが書き込まれたものと同じであることをチェックします。(詳細は "ファームウェアのバージョンとチェックサムの確認" を参照してください。)

■ SELF-DIAGNOSTIC FUNCTION / ダイアグ（自己診断機能）

This unit has self-diagnostic functions that are intended for inspection, measurement and location of faulty point.

There are 9 main menu items, each of which has sub-menu items.

Listed in the table below are main menu items and sub-menu items.

Note: Some of the menu items listed below may not apply to the models covered in this service manual.

本機には、検査、測定、不良個所の発見を目的にしたダイアグ（自己診断機能）があります。

ダイアグには9個のメインメニューがあり、そのそれぞれにサブメニューがあります。

下表はダイアグメニュー一覧です。

注意：以下のメニュー項目の一部は、このサービスマニュアルに記載されているモデルに適用されない場合があります。

MAIN MENU		SUB-MENU	
1	ROM VERSION/CHECKSUM	1	MAIN MICROPROCESSOR VERSION
		2	MAIN MICROPROCESSOR CHECKSUM
		3	MAIN MICROPROCESSOR PROGRAM VERSION
		4	MAIN MICROPROCESSOR BOOT VERSION
		5	SA-CD MODULE VERSION
		6	USB DAC (SSP2) BOOT VERSION
		7	USB DAC (SSP2) MAIN VERSION
		8	CPLD VERSION
2	FRONT PANEL KEY CHECK	1	PANEL KEY CHECK MENU
3	FL DISPLAY CHECK	1	FL DISPLAY MENU
		2	ALL SEGMENT ON
		3	ALL SEGMENT OFF
		4	INDICATOR CHECK
		5	DIMMER 100%/75%/50%/25%
4	FACTORY PRESET	1	PRESET RESERVE
5	AD DATA CHECK	1	PRV_L (PRV_L_PRT)
		2	PRV_R (PRV_R_PRT)
		3	PRV_D
6	PROTECTION HISTORY	1	HISTORY 1 / HISTORY 2 / HISTORY 3 / HISTORY 4
		2	RESET
7	EXTERNAL CONNENCTION CHECK (Not for service / サービスでは使用しません)	1	LINK CONTROL CHECK
		2	EXTERNAL IR CHECK
		3	FWP CHECK
8	AUDIO CHECK (Not for service / サービスでは使用しません)	1	CD CHECK
		2	COAXIAL CHECK
		3	OPTICAL CHECK
		4	USB CHECK
		5	DAC CHECK
9	TRAY CHECK	1	CLAMP DOWN/TRAY OPEN CHECK
		2	TRAY CLOSE/CLAMP UP CHECK

● Starting Self-Diagnostic Function

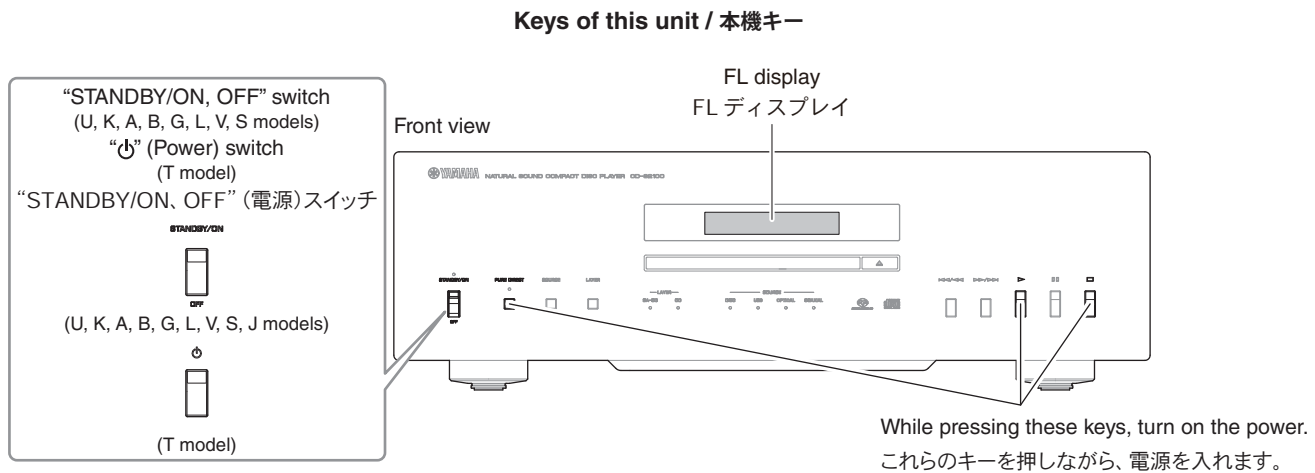
While pressing the “■” (Stop), “▶” (Play) and “PURE DIRECT” keys simultaneously, set the “STANDBY/ON, OFF” (U, K, A, B, G, L, V, S models) / “⏻” (Power) (T model) switch to the “ON” position to turn on the power and then release those 3 keys.

The self-diagnostic function mode is activated.

● ダイアグの起動

“■” (停止) と “▶” (再生)、“PURE DIRECT” キーを押しながら、“STANDBY/ON、OFF” (電源) スイッチを “ON” にして電源を入れた後、3つのキーを放します。

ダイアグが起動します。



● Starting Self-Diagnostic Function in the protection cancel mode

If the protection function works and causes hindrance to troubleshooting, cancel the protection function by the procedure below, and it will be possible to enter the self-diagnostic function mode.

While pressing the “■” (Stop), “▶” (Play) and “PURE DIRECT” keys simultaneously, set the “STANDBY/ON, OFF” (U, K, A, B, G, L, V, S models) / “⏻” (Power) (T model) switch to the “ON” position to turn on the power and then keep pressing those 3 keys for 5 seconds or longer.

The self-diagnostic function mode is activated with the protection functions disabled.

● プロテクション解除モードでの起動

プロテクションが動作することにより、故障箇所の診断に支障をきたすような場合は、次の方法によりプロテクションを解除した状態でダイアグモードに入ることができます。

“■” (停止) と “▶” (再生)、“PURE DIRECT” キーを押しながら、“STANDBY/ON、OFF” (電源) スイッチを “ON” にして電源を入れ、3つのキーを5秒以上押し続けます。プロテクション解除モードでダイアグが起動します。

CAUTION!

Using this unit with the protection function disabled may cause further damage to this unit. Use special care for this point when using this mode.

注意!

プロテクションを解除した状態でのダイアグモードは、危険な状態でもプロテクションが作動しないため、動作させると、本機を破壊することがあります。このモードを使用する場合は十分注意してください。

● History of protection function

When the protection function has worked, its history is stored in memory as backup data.

Even if no abnormality is noted while servicing the unit, an abnormality which has occurred previously can be defined as long as the backup data has been stored.

The history of the protection function will be initialized when self-diagnostic function is cancelled with "4-1. FACTORY PRESET RESERVE" menu (Memory initialized) selected.

● プロテクションの履歴

プロテクションが働いた場合、その履歴はバックアップデータとしてメモリーに保存されます。

修理のときに異常が認められなくても、バックアップデータが残っていれば、お客様のところで起きた異常を区別できます。

"4-1. FACTORY PRESET RESERVE" メニュー（メモリーの初期化）を選んでダイアグを解除した場合、プロテクションの履歴は初期化されます。

● Canceling Self-Diagnostic Function

1. Before canceling self-diagnostic function, execute setting for "4. FACTORY PRESET" menu. (Memory initialized).
 - * To Keep the user memory, do not make setting.
2. Set the "STANDBY/ON, OFF" (U, K, A, B, G, L, V, S models) / "⏻" (Power) (T model) switch to the "OFF" position to turn off the power.

● ダイアグの解除

1. ダイアグを解除する前に、"4. FACTORY PRESET" メニュー（メモリーの初期化）の設定をします。
 - ※ ユーザーメモリーを保持したい場合は、設定をしないでください。
2. "STANDBY/ON, OFF"（電源）スイッチを"OFF"にして電源を切ります。

● Operation procedure of Main menu and Sub-menu

There are 9 main menu items, each of which has sub-menu items.

Main menu and Sub-menu selection

Select the main menu using “▶▶▶/▶▶▶” (forward) and “◀◀◀/◀◀◀” (reverse) keys.

Parameter selection

Select the parameter by pressing the “LAYER” key.

● メインメニューとサブメニューの操作

ダイアグには9個のメインメニューがあり、そのそれぞれにサブメニューがあります。

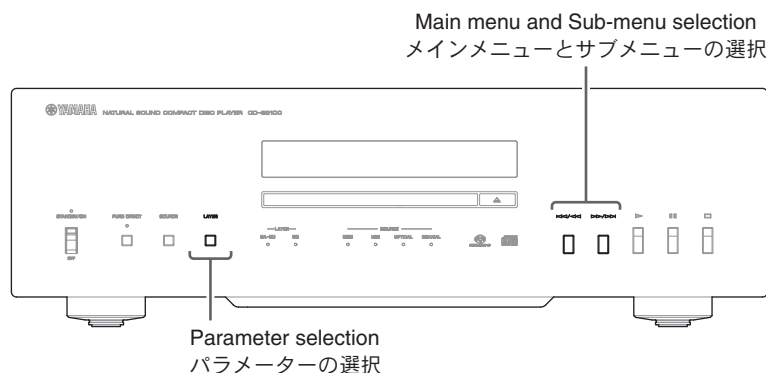
メインメニューとサブメニューの選択

“▶▶▶/▶▶▶” (順送り)、“◀◀◀/◀◀◀” (逆送り) キーで選択します。

パラメーターの選択

“LAYER” キーを押して、パラメーターを選択します。

Keys of this unit / 本機キー



● Functions in Self-Diagnostic Function mode

In addition to the self-diagnostic function menu items, only Power ON/OFF is available.

● Initial settings when Self-Diagnostic Function started

No initial setting.

● ダイアグ中の機能

ダイアグメニューの他に、電源オン/オフのみが機能します。

● ダイアグ開始時の初期設定

初期設定はありません。

● Details of Self-Diagnostic Function menu

1. ROM VERSION/CHECKSUM

This menu is used to display the firmware version and checksum.

The checksum is obtained by adding the data at every 8-bit and expressing the result as a hexadecimal notation.

* Numeric values in the figure are given as reference only.

1-1. CPU#1.00



1-2. CHK#E822



1-3. C_P#1.00



1-4. C_B#1.03



1-5. Md1#1.06



1-6. S_B#1.00



1-7. S_M#1.00



1-8. CPL#1.0

● ダイアグメニュー詳細

1. ROM VERSION/CHECKSUM

ファームウェアバージョン、チェックサムが表示されます。

チェックサムは、データを8ビットごとに加算していき、16進数で表記したものです。

※ 図中の数値は参考例です。

1-1. MAIN MICROPROCESSOR VERSION

The firmware version of main microprocessor (IC404 on DIGITAL P.C.B.) is displayed.
メインマイコン (DIGITAL P.C.B. の IC404) のファームウェアバージョンが表示されます。

1-2. MAIN MICROPROCESSOR CHECKSUM

The checksum value of main microprocessor (IC404 on DIGITAL P.C.B.) is displayed.
メインマイコン (DIGITAL P.C.B. の IC404) のチェックサムが表示されます。

1-3. MAIN MICROPROCESSOR PROGRAM VERSION

The program version of main microprocessor (IC404 on DIGITAL P.C.B.) is displayed.
メインマイコン (DIGITAL P.C.B. の IC404) のプログラムバージョンが表示されます。

1-4. MAIN MICROPROCESSOR BOOT VERSION

The boot version of main microprocessor (IC404 on DIGITAL P.C.B.) is displayed.
メインマイコン (DIGITAL P.C.B. の IC404) のブートバージョンが表示されます。

1-5. MODULE BOARD VERSION

The firmware version of module board is displayed.
モジュールボードのファームウェアバージョンが表示されます。

1-6. USB DAC (SSP2) BOOT VERSION

The boot version of USB DAC (IC401 on DIGITAL P.C.B.) is displayed.
USB DAC (DIGITAL P.C.B. の IC401) のブートバージョンが表示されます。

1-7. USB DAC (SSP2) MAIN VERSION

The main version of USB DAC (IC401 on DIGITAL P.C.B.) is displayed.
USB DAC (DIGITAL P.C.B. の IC401) のメインバージョンが表示されます。

1-8. CPL VERSION

The firmware version of CPL is displayed.
CPL のファームウェアバージョンが表示されます。

2. FRONT PANEL KEY CHECK

This menu is used to check operation of the panel keys.

2-1. PANEL KEY CHECK MENU

“PANEL KEY CHECK” menu is displayed.
 Press the “▶▶▶/▶▶▶” (Skip/Search forward) key.
 The next main menu is displayed.

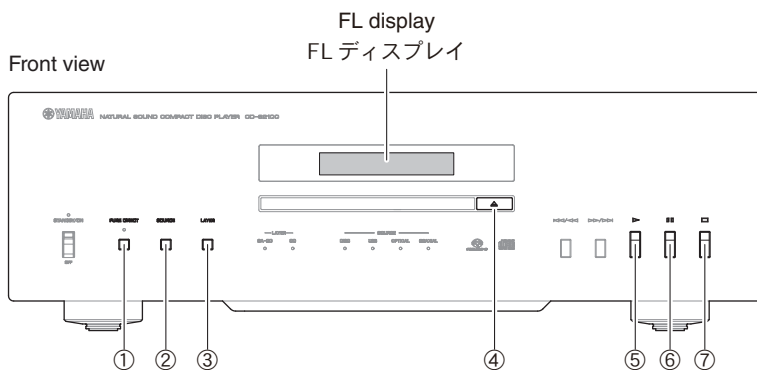


When any key on the front panel is pressed, the corresponding key name is displayed.



Key name / キー名称

Keys of this unit / 本機キー



Front panel key	Key name / キー名称
① PURE DIRECT	DIRECT
② SOURCE	SOURCE
③ LAYER	LAYER
④ ▶▶▶	OPEN
⑤ ▶	PLAY
⑥	PAUSE
⑦ ■	STOP

2. FRONT PANEL KEY CHECK

パネルキーの動作をチェックします。

2-1. PANEL KEY CHECK MENU

“PANEL KEY CHECK” メニューが表示されます。
 “▶▶▶/▶▶▶” (頭出し/早送り) キーを押すと、
 次のメインメニューが表示されます。

フロントパネルのいずれかのキーを押すと、対応するキー名称が表示されます。

3. FL DISPLAY CHECK

This menu is used to check operation of the FL display and indicator.

3-1. DISP CHK

3-1. FL DISPLAY MENU

Initial display
初期表示

SA-CD HYBRID TRACK TOTAL REMAIN PROG SHUFFLE REP OFF S ALL A-B

3-2. ALL SEGMENT ON / 全セグメント点灯

* After check, change to next menu at once.
※ 確認後、すみやかに次のサブメニューを選択してください。

[Blank display]

3-3. ALL SEGMENT OFF / 全セグメント消灯

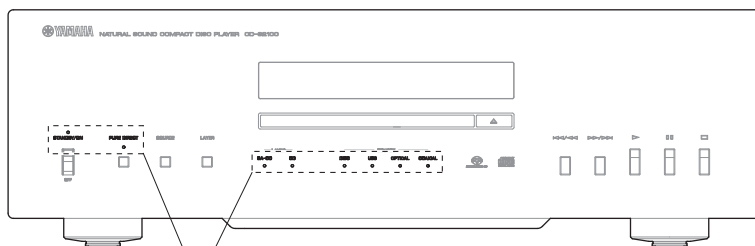
"STANDBY/ON" (U, K, A, B, G, L, V, S models) / "⏻" (T model) indicator: ON
"STANDBY/ON" インジケータ : ON

3-4. LED CHK

3-4. INDICATOR CHECK

Push the "LAYER" key to have indicators light up one by one.
"LAYER" キーを押して、インジケータを順次点灯させます。

Front view

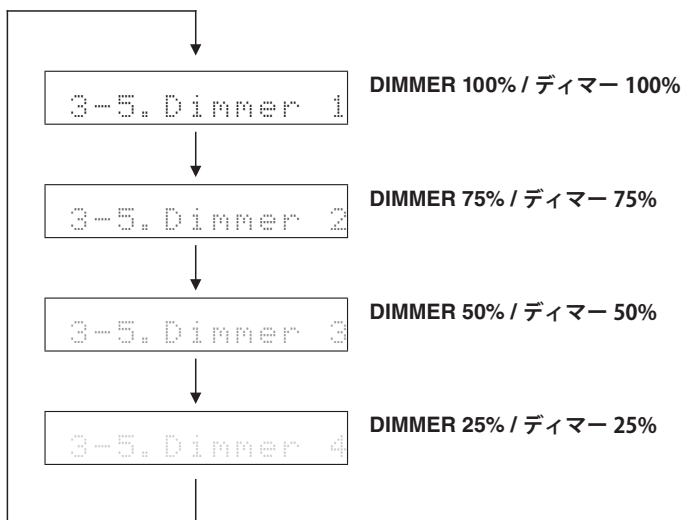


Indicators / インジケータ

3-5. Dinner 1

3-5. DIMMER 100%/75%/50%/25%

The display is changed by pressing the "LAYER" key.
"LAYER" キーを押すと表示が切り替わります。



4. FACTORY PRESET

This menu is used to initialization of the back-up data.

4-1.F_P?

↓ Press the "LAYER" key.
"LAYER" キーを押します。

Preset Done

4-1. FACTORY PRESET MENU

Initial display

初期表示

4-1. PRESET RESERVED (Initialization reserved) / PRESET RESERVED (初期化予約)

Initialization of the back-up data is reserved. (Actual initialization is executed when the power is turned on next.) To reset to the original factory settings or user memory, select this sub-menu and set the "STANDBY/ON, OFF" (U, K, A, B, G, L, V, S models) / "⏻" (Power) (T model) switch to the "OFF" position to turn off the power.

バックアップデータの初期化が予約されます。(実際に初期化されるのは、次回の電源投入時です。)工場出荷時やユーザーメモリをリセットしたいときは、こちらを選択してから "STANDBY/ON、OFF" (電源) スイッチを "OFF" にして電源を切ってください。

4. FACTORY PRESET

バックアップデータの初期化をします。

5. AD DATA CHECK

This menu is used to display the voltage value of the microprocessor which detects protection functions of this unit by using the sub-menu.

5-1. PRV_L

L channel power supply protection detection

Detected: +12VL, -12VL, +5VL, +3.3VL,
AC_L

Detection port: 82 pin of main microprocessor
(IC404 on DIGITAL P.C.B.)

Normal value: 0.71 V to 2.84 V

5-1.F_LL=1.74

* If PRV_L becomes out of the normal value range, the protection function works to turn off the power.

5. AD DATA CHECK

プロテクションを検出しているマイコンの電圧値が、サブメニューで表示されます。

5-1. PRV_L

Lチャンネルの電源電圧プロテクションの検出

検出先: +12VL、-12VL、+5VL、+3.3VL、
AC_L

検出ポート: メインマイコン (DIGITAL P.C.B.の
IC404) の82ピン

正常値: 0.71 V ~ 2.84 V

※ PRV_Lが正常値を外れるとプロテクションが働き、電源が切れます。

5-2. PRV_R

R channel power supply protection detection

Detected: +12VR, -12VR, +5VR, +3.3VR,
AC_R

Detection port: 81 pin of main microprocessor
(IC404 on DIGITAL P.C.B.)

Normal value: 0.71 V to 2.84 V

5-2. PRV_R

Rチャンネルの電源電圧プロテクションの検出

検出先: +12VR、-12VR、+5VR、+3.3VR、
AC_R

検出ポート: メインマイコン (DIGITAL P.C.B. の
IC404) の 81 ピン

正常値: 0.71 V ~ 2.84 V

5-2.P_R=1.73

* If PRV_R becomes out of the normal value range, the protection function works to turn off the power.

※ PRV_R が正常値を外れるとプロテクションが働き、電源が切れます。

5-3. PRV_D

Digital circuit power supply protection detection

Detected: +12D, -12D, +7D, +3.3D, AC_D

Detection port: 83 pin of main microprocessor
(IC404 on DIGITAL P.C.B.)

Normal value: 1.53 V to 1.95 V

5-3. PRV_D

デジタル回路の電源電圧プロテクションの検出

検出先: +12D、-12D、+7D、+3.3D、
AC_D

検出ポート: メインマイコン (DIGITAL P.C.B. の
IC404) の 83 ピン

正常値: 1.53 V ~ 1.95 V

5-3.P_D=1.67

* If PRV_D becomes out of the normal value range, the protection function works to turn off the power.

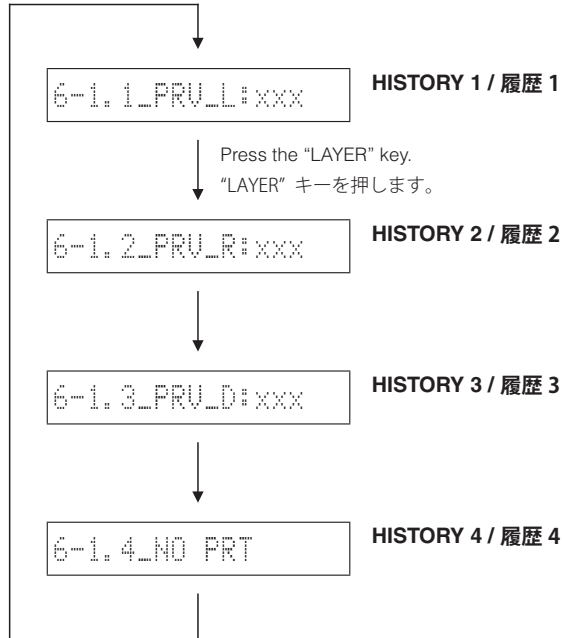
※ PRV_D が正常値を外れるとプロテクションが働き、電源が切れます。

6. PROTECTION HISTORY

This menu is used to display the history of protection function.

6-1. HISTORY 1 to HISTORY 4

The display is changed by pressing the "LAYER" key.



6-2. RESET

Initialization of the protection history is reserved.
(Actually, initialization is executed the next time the power is turned on.)

6-2. P_HLRST

6. PROTECTION HISTORY

プロテクション履歴が表示されます。

6-1. HISTORY 1 ~ HISTORY 4

"LAYER" キーを押すと表示が切り替わります。

6-2. RESET

プロテクション履歴の初期化が予約されます。
(実際に初期化されるのは、次回の電源投入時です。)

7. EXTERNAL CONNENCTION CHECK

Not for service.

7-1. LINK:NG 7-3. FWP:NG D

7. EXTERNAL CONNENCTION CHECK

サービスでは使用しません。

8. AUDIO CHECK

Not for service.

8-1. CD_CHK 8-5. HIGHEST

8. AUDIO CHECK

サービスでは使用しません。

9. TRAY CHECK

This menu is used to check the loader mechanism unit.

Before selecting this menu, load a disc to the disc tray. When using this menu, if the disc tray has no disc in it, it cannot be opened or closed.

9-1. CLAMP DOWN/TRAY OPEN CHECK

Check that the CLAMP moves down and the disc tray opens.

```
9-1. OPEN  OK
```

9-2. TRAY CLOSE/CLAMP UP CHECK

Check that the disc tray closes, CLAMP moves up and automatic reproduction starts.

```
9-2. CLOSE  OK
```

9. TRAY CHECK

ローダーメカユニットの動作チェックをします。

本メニュー選択前にディスクトレイへディスクをセットしてください。

ディスクトレイにディスクがセットされていないと、本メニューではディスクトレイの開閉ができません。

9-1. CLAMP DOWN/TRAY OPEN CHECK

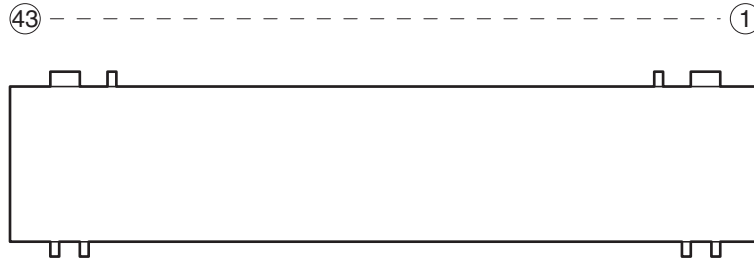
クランプが下がり、ディスクトレイが開くことを確認します。

9-2. TRAY CLOSE/CLAMP UP CHECK

ディスクトレイが閉まり、クランプが上がって自動再生が始まることを確認します。

■ DISPLAY DATA

● V901 : 013ST087GINK (FRONT (3) P.C.B.)

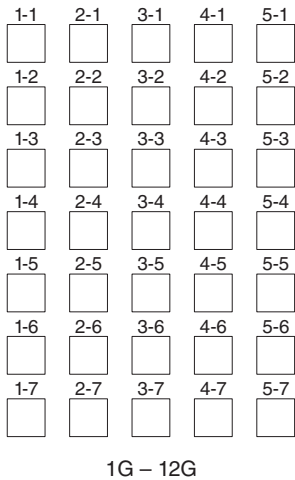
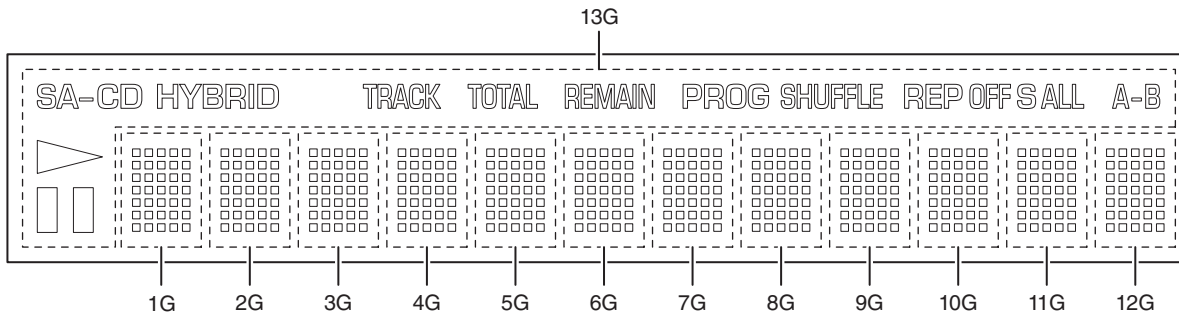


● PIN CONNECTION

Pin No.	19	18	17	16	15	14	13	12	11	10	9	8	7	6	5	4	3	2	1
Connection	NX	NX	NX	NX	NX	NX	NX	NX	NX	NX	NX	NX	NX	NX	13G	Q13G	NP	NP	F1
Pin No.	37	36	35	34	33	32	31	30	29	28	27	26	25	24	23	22	21	20	
Connection	VDD	OSC	RESET	CS	CP	DA	TSA	TSB	NX	NX	NX	NX	NX	NX	NX	NX	NX	NX	
Pin No.	43	42	41	40	39	38													
Connection	F2	NP	NP	LGND	PGND	VH													

Note: 1) F1, F2 Filament 2) NP No pin 3) NX No extended pin 4) LGND Logic GND pin
 5) PGND Power GND pin 6) VH High voltage supply pin 7) VDD Logic voltage supply pin 8) CP Shift register clock
 9) DA Serial data input 10) TSA, B Test pin 11) CS Chip select input pin 12) OSC Pin for self-oscillation
 13) RESET Reset input 14) Q13G Driver output port 15) 13G Grid

● GRID ASSIGNMENT



● ANODE CONNECTION

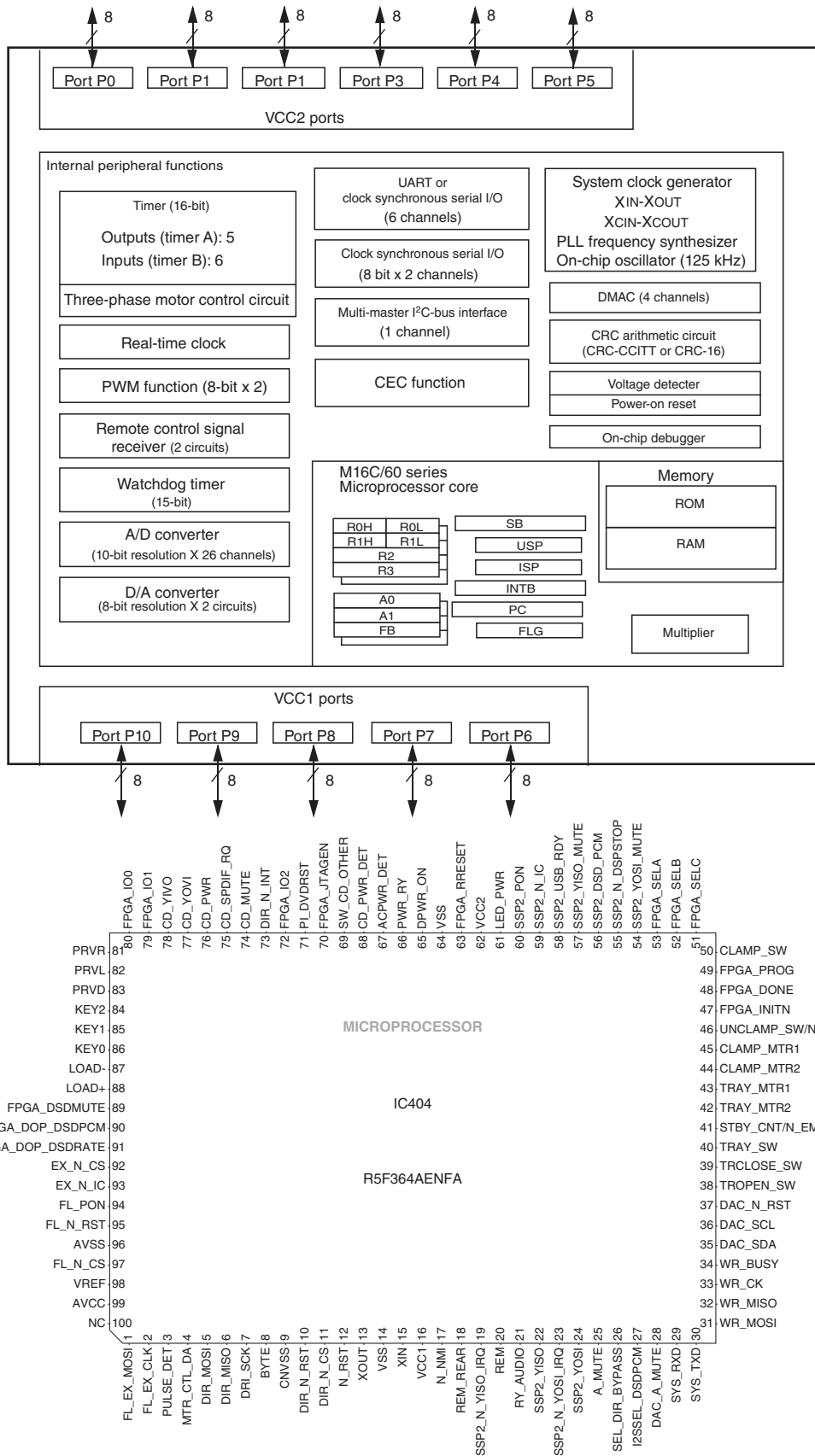
	1G - 12G	13G		1G - 12G	13G		1G - 12G	13G
D0	1-1		D15	1-4	CD	D30	1-7	-
D1	2-1		D16	2-4	SA-	D31	2-7	-
D2	3-1	A-	D17	3-4	-	D32	3-7	-
D3	4-1	S	D18	4-4	-	D33	4-7	-
D4	5-1	ALL	D19	5-4	-	D34	5-7	-
D5	1-2	OFF	D20	1-5	-			
D6	2-2	REP	D21	2-5	-			
D7	3-2	SHUFFLE	D22	3-5	-			
D8	4-2	PROG	D23	4-5	-			
D9	5-2	REMAIN	D24	5-5	-			
D10	1-3	TOTAL	D25	1-6	-			
D11	2-3	TRACK	D26	2-6	-			
D12	3-3	RID	D27	3-6	-			
D13	4-3	HYB	D28	4-6	-			
D14	5-3		D29	5-6	-			

IC DATA

IC404: R5F364AENFA (DIGITAL P.C.B.)

Microprocessor

* No replacement part available. / サービス部品供給なし









Pin No.	Port Name	Function Name (P.C.B.)	I/O				Detail of Function
			PowerOn	Standby	MCUSleep	EEP Writing [When writing]	
1	P9_6/ANEX1/SOUT4	FL_EX_MOSI	SO	O	O		FL Driver control data output Extended IC: Data out for LC709004A
2	P9_5/ANEX0/CLK4	FL_EX_CLK	O	O	O		FL Driver control clock output Extended IC: Clock for LC709004A
3	P9_4/DA1/TB4IN/PWM1	PULSE_DET	I	O	O		Pulse input for tray driving motor
4	P9_3/DA0/TB3IN/PWM0	MTR_CTL_DA	O	O	O		DA output for tray control
5	P9_2/TB2IN/PMC0/SOUT3	DIR_MOSI	SO	O	O		DIR DIX9210 control data output
6	P9_1/TB1IN/PMC1/SIN3	DIR_MISO	SI	O	O		DIR DIX9210 control data input
7	P9_0/TB0IN/CLK3	DIR_SCK	O	O	O		DIR DIX9210 control clock output
8	BYTE	BYTE	MCU	MCU	MCU		Connected to Vss when in single chip mode (External data bus width change: 16 bit)
9	CNVss	CNVss	MCU	MCU	MCU		High: To flash included BOOT mode BOOT mode: P5_5=L, CNVSS=H, P5_0=H Low: Processor mode selection: Single chip mode
10	P8_7/XCIN	DIR_N_RST	O	O	O		DIR DIX9210 control reset output
11	P8_6/XCOUT	DIR_N_CS	CS	O	O		DIR DIX9210 control chip selection output
12	nRESET	N_RST	MCU	MCU	MCU		Reset input
13	Xout	XOUT	MCU	MCU	MCU		Main clock 20MHz output
14	Vss	VSS	MCU	MCU	MCU		D_GND
15	Xin	XIN	MCU	MCU	MCU		Main clock 20MHz input
16	Vcc1	VCC1	MCU	MCU	MCU		+5M
17	P8_5/nNMI/nSD/CEC * Nch open drain	/NMI	MCU	MCU	MCU		Pull-up because of being unused
18	P8_4/nINT2/ZP	REM_REAR	IRQ	IRQ	O		Rear panel IR input
19	P8_3/nINT1	SSP2_N_YISO_IRQ	IRQ	IRQ	O		SYSTEM2 power detection
20	P8_2/nINT0	REM	IRQ	IRQ	O		Remote control IR input
21	P8_1/TA4IN/nU/nCTS5/nRTS5	RY_AUDIO	O	O	O		BALANCE output relay control High=Sound output, Low=Sound not output
22	P8_0/TA4OUT/U/RXD5/SCL5	SSP2_YISO	O	O	O	SO	I2C to write EEPROM data for TE8802 Available when in special wring mode by self-diagnostic function Set to Hi-z when in user mode
23	P7_7/TA3IN/CLK5	SSP2_N_YOSI_IRQ	O	O	O	O	Available, unavailable of EEPROMI2C line for TE8802 Low: I2C line of TE8802 and EEPROM shut down (Hi-Z) High: I2C line available
24	P7_6/TA3OUT/TXD5/SDA5	SSP2_YOSI	O	O	O	SO	I2C to write EEPROM data for TE8802 Available when in special wring mode by self-diagnostic function Set to Hi-z when in user mode
25	P7_5/TA2IN/nW	A_MUTE	O	O	O		Transistor MUTE function control
26	P7_4/TA2OUT/W	SEL_DIR_BYPASS	O	O	O		DAC input signal DIR Bypass route selection High=DIR BYPASS, Low=DIR Low: Adoptive mode
27	P7_3/nCTS2/nRTS2/TA1IN/nV	I2SSEL_DSDPCM	O	O	O		DAC input signal DSD / PCM selection / High=DSS, Low=PCM
28	P7_2/CLK2/TA1OUT/V	DAC_A_MUTE	I	O	O		For detecting AUTO MUTE function of DAC
29	P7_1/RXD2/SCL2/SCLMM/ TA0IN/TB5IN * Nch open drain	SYS_RXD	SI	O	O		SYSTEM data input
30	P7_0/TXD2/SDA2/SDAMM/ TA0OUT * Nch open drain	SYS_TXD	SO	O	O		SYSTEM data output
31	P6_7/TXD1/SDA1	WR_MOSI	SO	SO	O	[MCU]	For simple emulation / Rx when writing flash
32	P6_6/RXD1/SCL1	WR_MISO	SI	SI	O	[MCU]	For simple emulation / Tx when writing flash
33	P6_5/CLK1	WR_CK	SO	SO	O	[MCU]	For simple emulation / Clock when writing flash
34	P6_4/nCTS1/nRTS1/nCTS0/ CLKS1	WR_BUSY	O	O	O	[MCU]	For simple emulation / BUSY output when writing flash
35	P6_3/TXD0/SDA0	DAC_SDA	SO	O	O		DAC ESS9018S control I2C data input/output / I2C fs=100k/400k
36	P6_2/RXD0/SCL0	DAC_SCL	SO	O	O		DAC ESS9018S control I2C data output / I2C fs=100k/400k
37	P6_1/CLK0	DAC_N_RST	O	O	O		DAC ESS9018S control reset output
38	P6_0/RTCOUT/nCTS0/nRTS0	TROPEN_SW	I	O	O		LOADER tray open detection
39	P5_7/nRDY/CLKOUT	TRCLOSE_SW	I	O	O		LOADER tray close detection
40	P5_6/ALE	TRAY_SW	I	O	O		LOADER tray detection

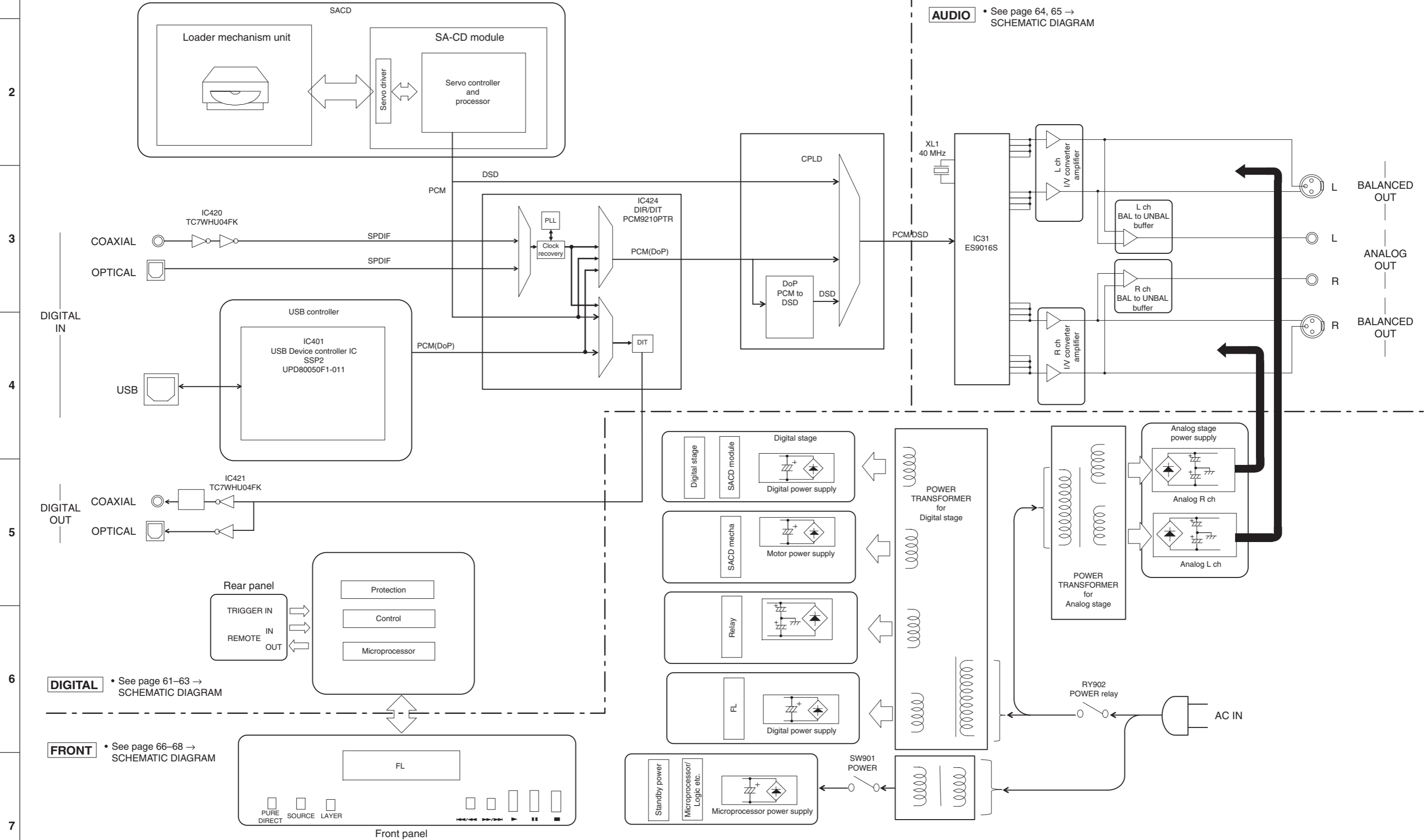
Pin No.	Port Name	Function Name (P.C.B.)	I/O				Detail of Function
			PowerOn	Standby	MCUSleep	EEP Writing [When writing]	
41	P5_5/nHOLD	STBY_CNT/N_EMP	I, O	O	O		For flash writing (IO) BOOT mode: P5_5=L, CNVSS=H, P5_0=H Set to Pull-down as Hiz state may occur during emulator operation. • +5SPC power ONOFF control (L=OFF, H=ON: For reduction of stand-by power) • Usually fixed at Low standby power is reduced (MCUSleep) by setting to Low after processing required for standby state. When shifting to the stand-by state, set to Low after completion procedure
42	P5_4/nHLDA	TRAY_MTR2	O	O	O		Tray motor control
43	P5_3/BCLK	TRAY_MTR1	O	O	O		Tray motor control
44	P5_2/nRD	CLAMP_MTR2	O	O	O		Clamper control
45	P5_1/nWRH/nBHE	CLAMP_MTR1	O	O	O		Clamper control
46	P5_0/nWRL/nWR	UNCLAMP_SW/N_CE	I	O	O		For flash writing (HI) BOOT mode: P5-5=L, CNVSS=H, P5_0=H / Clamper detection
47	P4_7/PWM1/TXD7/SDA7/nCS3	FPGA_INITN	I	O	O		Readiness for FPGA/GPLD configuration is indicated PU is enabled during configuration in FPGA
48	P4_6/PWM0/RXD7/SCL7/nCS2	FPGA_DONE	I	O	O		FPGA Config DONE input Completion of configuration sequence and starting sequence going on are indicated
49	P4_5/CLK7/nCS1	FPGA_PROG	O	O	O		FPGA Config starting / Configuration started at L Note: Do not apply trigger to the device when DONE is at Low
50	P4_4/nCTS7/nRTS7/nCS0	CLAMP_SW	I	O	O		Clamper detection
51	P4_3/A19	FPGA_SEL_C	O	O	O		FPGA sound output selection / Designated with 3 bit
52	P4_2/A18	FPGA_SEL_B	O	O	O		FPGA sound output selection / Designated with 3 bit
53	P4_1/A17	FPGA_SEL_A	I	O	O		FPGA sound output selection / Designated with 3 bit
54	P4_0/A16	SSP2_YOSI_MUTE	I	O	O		USB streaming controller TE8802 control / Output resolutions 0: 16bit, 1: 24bit
55	P3_7/A15	SSP2_N_DSPSTOP	I	O	O		USB streaming controller SSP2 control DSP function unavailable
56	P3_6/A14	SSP2_DSD_PCM	I	O	O		USB streaming controller SSP2 control DSD/PCM status input from driver via SSP2
57	P3_5/A13	SSP2_YISO_MUTE	I	O	O		USB streaming controller SSP2 control MUTE request input due to SSP2 error
58	P3_4/A12	SSP2_USB_RDY	I	O	O		USB streaming controller SSP2 control / USB ready state input Whether USB available or not is judged
59	P3_3/A11	SSP2_N_IC	O	O	O		USB streaming controller SSP2 control IC output
60	P3_2/A10	SSP2_PON	O	O	O		USB streaming controller power control for SSP2 control High=On, Low=Off
61	P3_1/A9	LED_PWR	O	O	O		LED_POWER control / H: On, L: Off
62	Vcc2	VCC2	MCU	MCU	MCU		+5M
63	P3_0/A8	FPGA_RRESET	O	O	O		FPGA / Register reset
64	Vss	VSS	All	MCU			D_GND
65	P2_7/AN2_7/A7	DPWR_ON	O	O	O		Power for digital 33D, 15D 115D, VBUS On/Off High: On, Low: Off
66	P2_6/AN2_6/A6	PWR_RY	O	O	O		Power relay control
67	P2_5/INT7/AN2_5/A5	ACPWR_DET	IRQ	O	O		AC power input detection
68	P2_4/INT6/AN2_4/A4	CD_PWR_DET	I	O	O		Vaddis886 SDRAM CLOCK enable control monitor
69	P2_3/AN2_3/A3	SW_CD_OTHER	O	O	O		For switching control between CD and other functions CD=H, Other=L
70	P2_2/AN2_2/A2	FPGA_JTAGEN	O	O	O		FPGA L=TDI, TDO, TMS, TCK functions as general purpose I/O H=TDI, TDO, TMS, TCK functions as JTAG pin
71	P2_1/AN2_1/A1	CD_RST	O	O	O		SA-CD MODULE control reset output
72	P2_0/AN2_0/A0	FPGA_IO2	O	O	O		Communication between CPLDs serial data
73	P1_7/nINT5/IDU/D15	DIR_N_INT	IRQ	O	O		DIR DIX9210 control interrupt input
74	P1_6/nINT4/IDW/D14	CD_MUTE	I	O	O		SA-CD MODULE MUTE detection
75	P1_5/INT3/IDV/D13	CD_SPDIF_RQ	O	O	O		SA-CD MODULE (Vaddis886) control SPDIF request output
76	P1_4/D12	CD_PWR	O	O	O		SA-CD MODULE control power On/Off control High: On, Low: Off

Pin No.	Port Name	Function Name (P.C.B.)	I/O				Detail of Function
			PowerOn	Standby	MCUSleep	EEP Writing [When writing]	
77	P1_3/TXD6/SDA6/D11	CD_YOVI	SO	O	O		Vaddis886 control data out
78	P1_2/RXD6/SCL6/D10	CD_YIVO	SI	O	O		Vaddis886 control data in
79	P1_1/CLK6/D9	FPGA_IO1	I	O	O		Communication between CPLDs serial clock
80	P1_0/nCTS6/nRTS6/D8	FPGA_IO0	O	O	O		CPLD serial enable
81	P0_7/AN0_7/D7	PRVR	AD	O	O		Analog Rch power voltage protection
82	P0_6/AN0_6/D6	PRVL	AD	O	O		Analog Lch power voltage protection
83	P0_5/AN0_5/D5	PRVD	AD	O	O		Digital power voltage protection
84	P0_4/AN0_4/D4	KEY2	AD	O	O		Key taking AD
85	P0_3/AN0_3/D3	KEY1	AD	O	O		Key taking AD
86	P0_2/AN0_2/D2	KEY0	AD	O	O		Key taking AD
87	P0_1/AN0_1/D1	LOAD-	AD	O	O		LOADER open detection Using LOADER control signal of Pioneer module, tray open enable function after CD stop is detected
88	P0_0/AN0_0/D0	LOAD+	AD	O	O		LOADER open detection Using LOADER control signal of Pioneer module, tray open enable function after CD stop is detected
89	P10_7/AN7/nKI3	FPGA_DSDMUTE	O	O	O		FPGA DSD MUTE designation / Low=MUTE, High=MUTE Off
90	P10_6/AN6/nKI2	FPGA_DOP_DSDPCM	I	O	O		FPGA Judgment result on DOP's DSD/PCM input / L=PCM, H=DSD
91	P10_5/AN5/nKI1	FPGA_DOP_DSDRATE	I	O	O		FPGA Judgment result on DOP's DSD normal speed/double speed input L=Normal speed, H=Double speed
92	P10_4/AN4/nKI0	EX_N_CS	O	O	O		Extended IC: Chip select for LC709004A
93	P10_3/AN3	EX_N_IC	O	O	O		Extended IC: Initial clear for LC709004A
94	P10_2/AN2	FL_PON	O	O	O		VFL power on control / High=FL power On, Low=FL power Off
95	P10_1/AN1	FL_N_RST	O	O	O		FL driver control reset
96	Avss	MG	MCU	MCU	MCU		D_GND
97	P10_0/AN0	FL_N_CS	O	O	O		FL driver control chip selection
98	Vref	VREF	MCU	MCU	MCU		+5M
99	Avcc	AVCC	MCU	MCU	MCU		+5M
100	P9_7/nADTRG/SIN4	NC	O	O	O		LED_OPT control / High=On, Low=Off

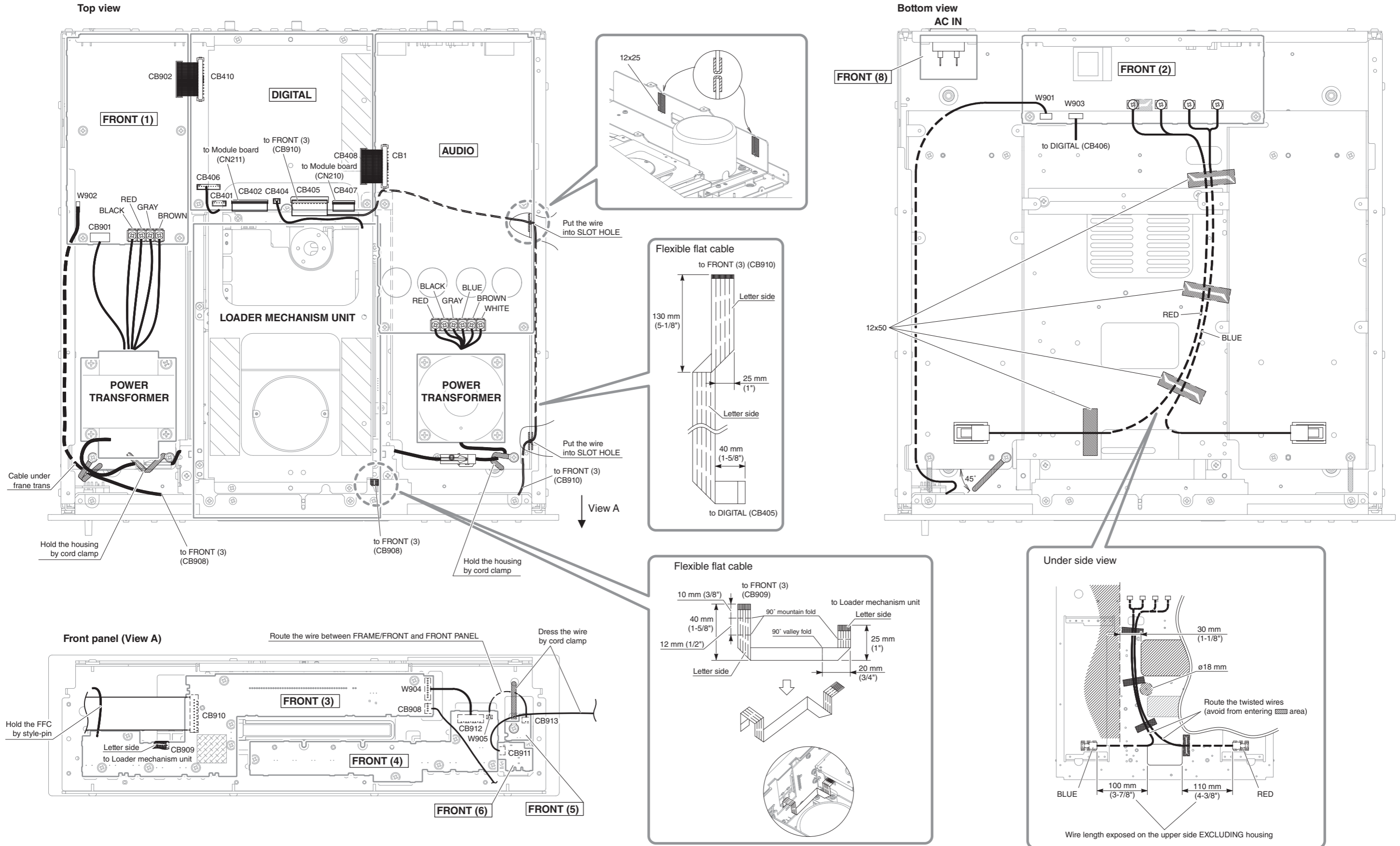
Key detection for AD port
Key input (A/D) pull-up resistance 10 k-ohms

	+ 820 Ω	+ 3.3 kΩ	+ 12.0 kΩ
Detected voltage value at 86 pin	0 – 0.3 V	0.6 – 1.0 V	1.6 – 2.0 V
KEY0	 (STOP)	 (PAUSE)	 (OPEN/CLOSE)
	+ 820 Ω	+ 3.3 kΩ	+ 12.0 kΩ
Detected voltage value at 85 pin	0 – 0.3 V	0.6 – 1.0 V	1.6 – 2.0 V
KEY1	 (PLAY)	 (SEARCH+/SKIP+)	 (SEARCH-/SKIP-)
	+ 820 Ω	+ 3.3 kΩ	+ 12.0 kΩ
Detected voltage value at 84 pin	0 – 0.3 V	0.6 – 1.0 V	1.6 – 2.0 V
KEY2	PURE DIRECT	SOURCE	LAYER

1 ■ BLOCK DIAGRAM



WIRING DIAGRAMS
OVERALL ASSEMBLY



1

• **LOADER MECHANISM UNIT**

2

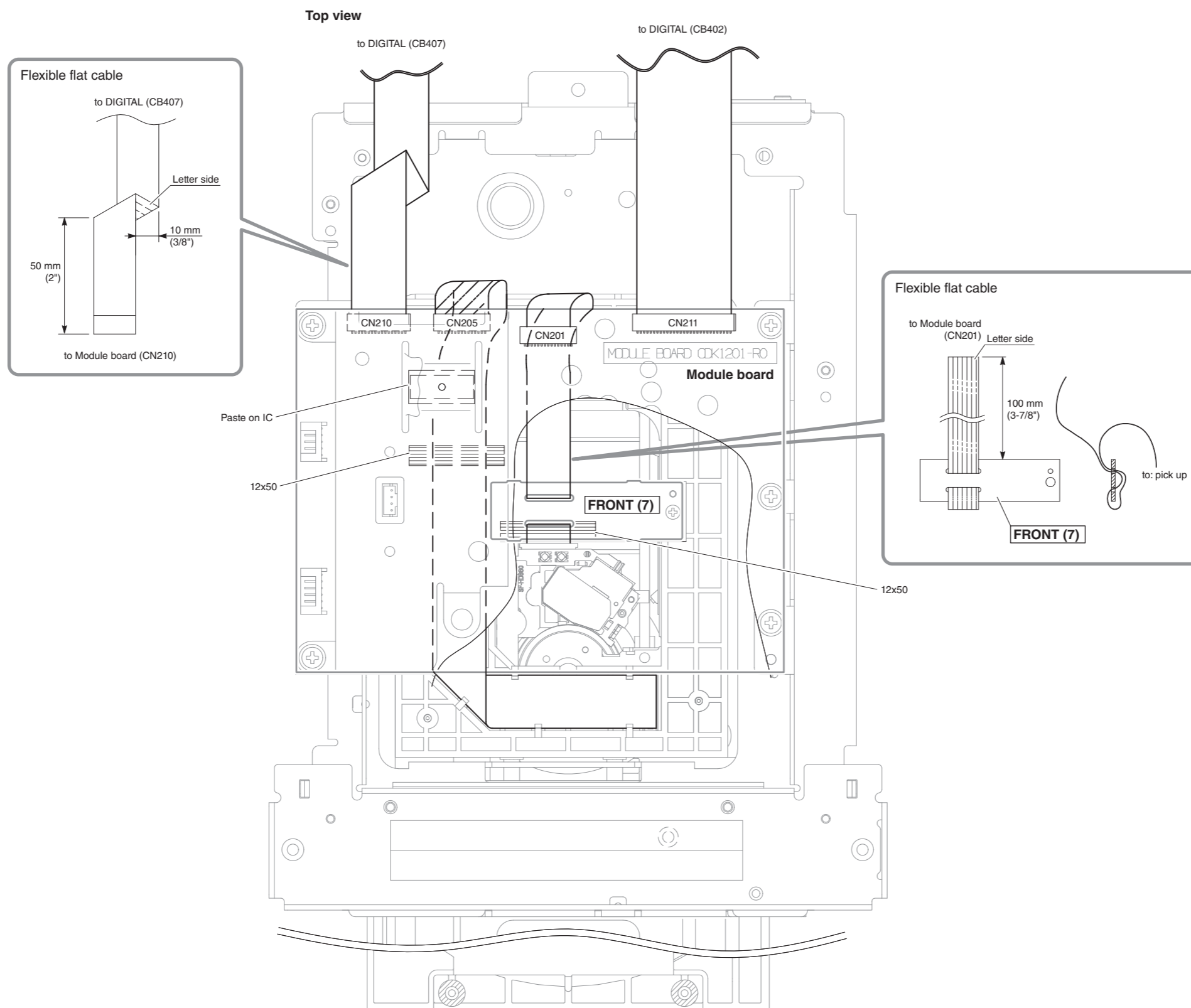
3

4

5

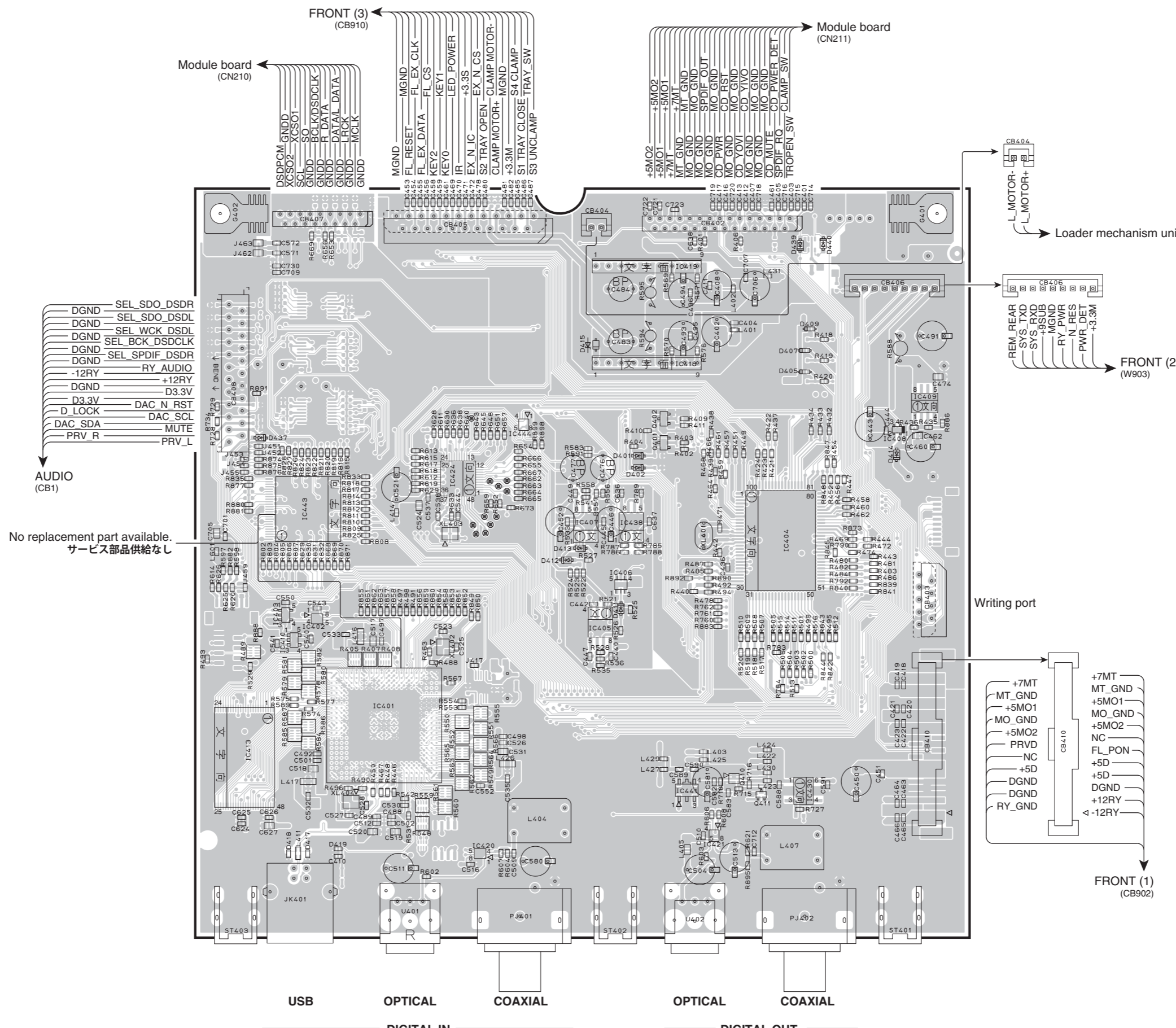
6

7



PRINTED CIRCUIT BOARDS

DIGITAL (Side A)



• Semiconductor Location

Ref no.	Location
D401	F4
D402	F4
D405	G3
D407	G3
D409	G3
D411	F5
D412	F4
D413	F4
D414	H4
D415	F3
D417	D6
D418	D6
D419	D6
D437	D4
D439	G3
D440	G3
IC401	E5
IC402	D5
IC403	D5
IC404	G4
IC405	F5
IC406	F5
IC407	F4
IC408	H4
IC409	H3
IC410	D5
IC413	D6
IC418	F3
IC419	F3
IC420	E6
IC421	G6
IC424	E4
IC430	G6
IC438	F4
IC441	F6
IC443	D4
IC444	E4
Q401	F4
Q402	F4
Q410	G6
Q411	G6

1

DIGITAL (Side B)

2

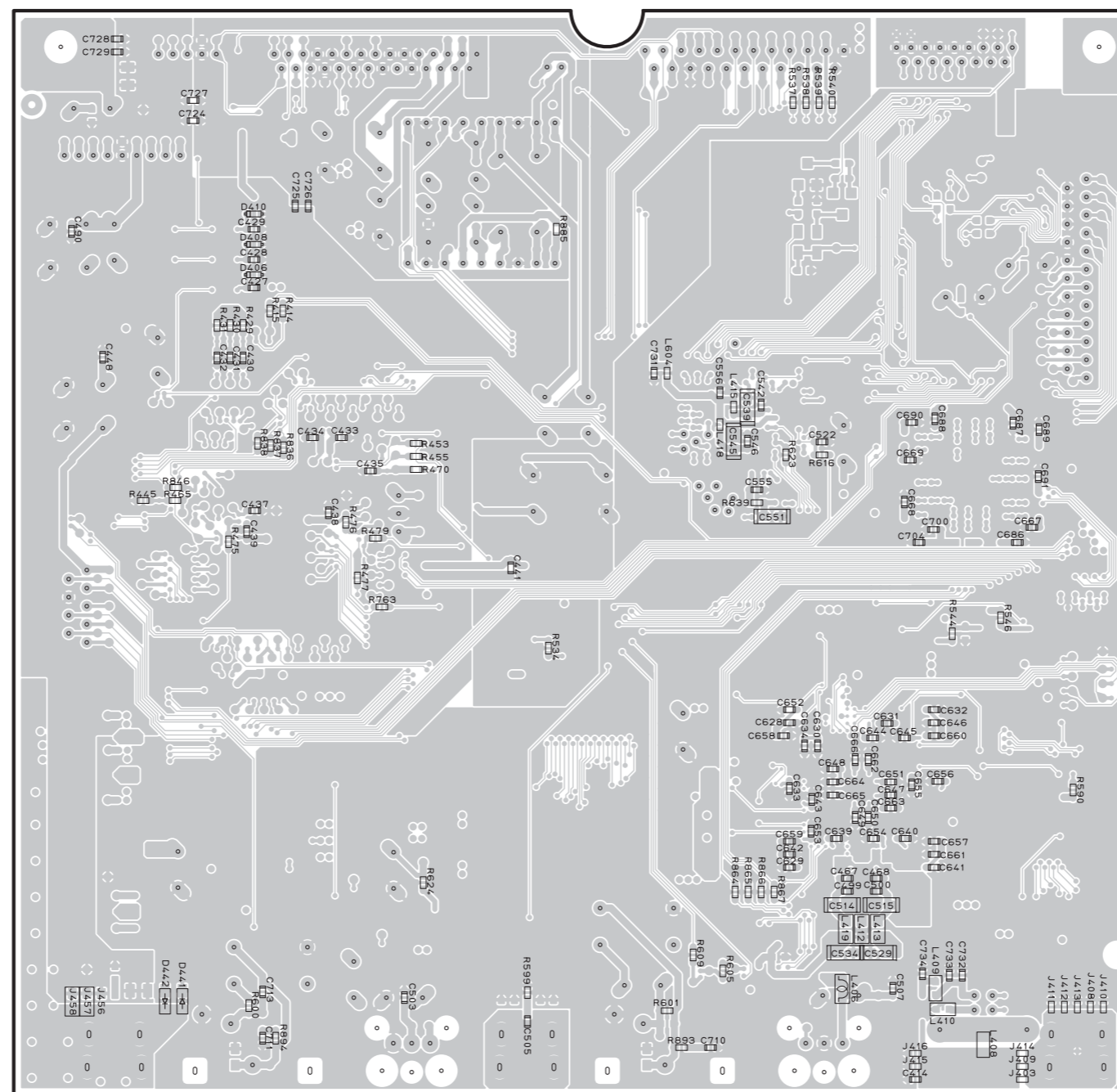
3

4

5

6

7



• Semiconductor Location

Ref no.	Location
D406	D3
D408	D3
D410	D3
D441	D6
D442	D6

• Semiconductor Location

Ref no.	Location	Ref no.	Location	Ref no.	Location	Ref no.	Location	Ref no.	Location	Ref no.	Location
D3	F3	D30	H5	D40	G5	D301	C4	Q2	E4	Q30	G4
D4	F3	D31	H5	D41	G6	D302	C5	Q3	E6	Q31	G5
D9	F4	D32	G3	D42	G6	D315	E6	Q4	E6	Q32	G6
D10	F5	D33	G3	D43	G6	D316	E6	Q5	F4	Q35	H4
D11	F4	D34	G3	D63	H4	IC1	E4	Q6	F4	Q36	H4
D12	F5	D35	G4	D64	G3	IC2	E5	Q7	F5	Q37	H5
D26	H4	D36	G4	D65	G4	IC29	E4	Q8	F5	Q38	H5
D27	H4	D37	G4	D66	H5	IC30	E5	Q27	H4	Q39	G3
D28	H4	D38	G5	D67	G5	IC31	F5	Q28	H5	Q40	G3
D29	H5	D39	G5	D68	G6	Q1	E3	Q29	G3	Q41	G4

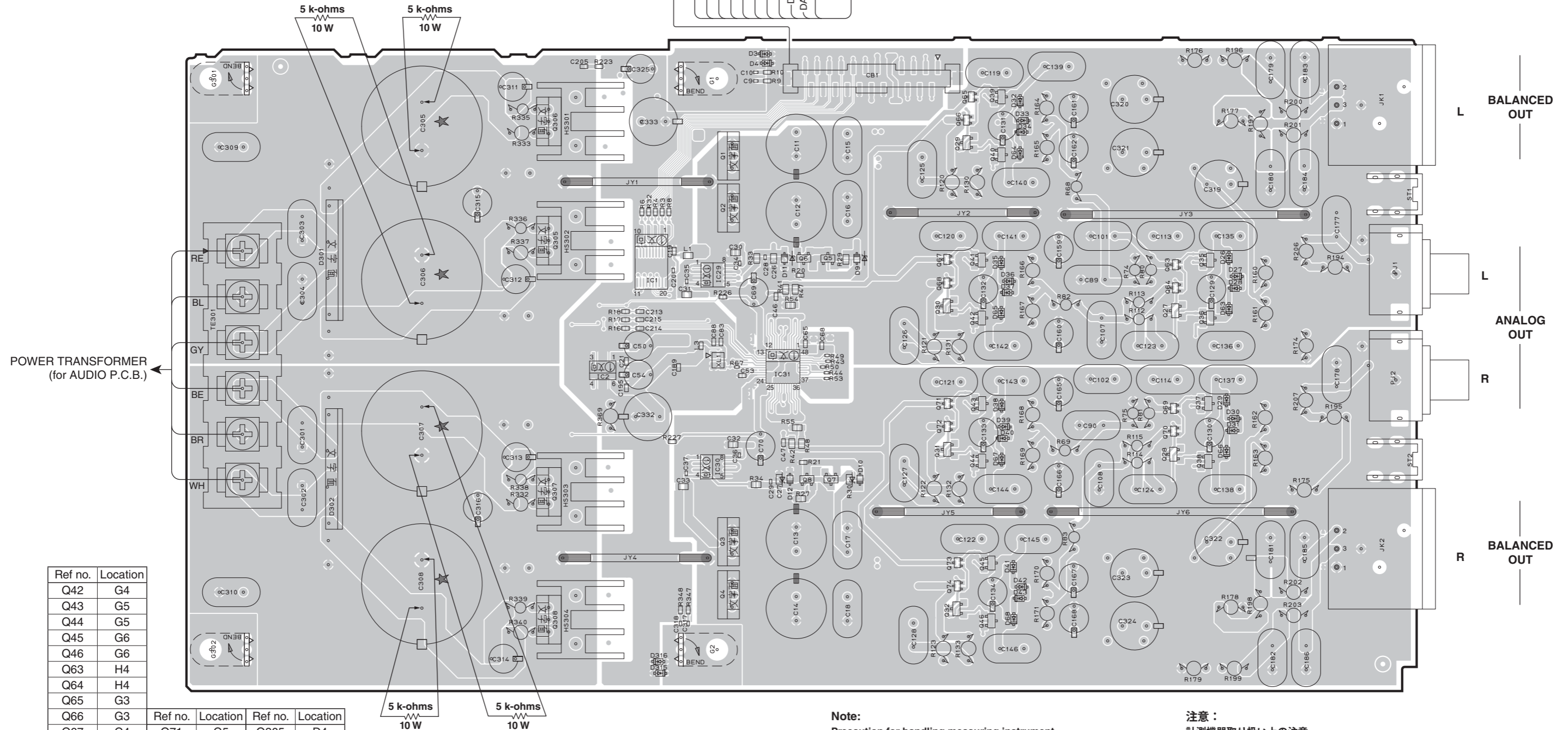
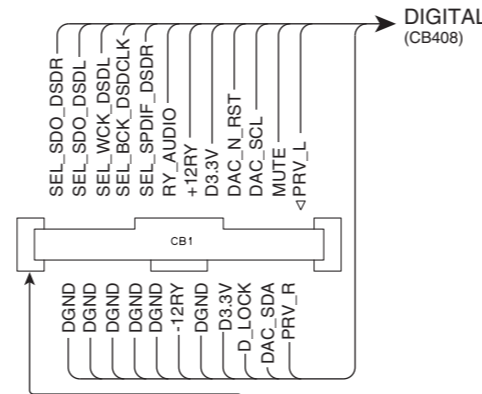
Safety measures

- Some internal parts in this product contain high voltages and are dangerous. Be sure to take safety measures during servicing, such as wearing insulating gloves.
- Note that the capacitors indicated below are dangerous even after the power is turned off because an electric charge remains and a high voltage continues to exist there. Before starting any repair work, connect a discharging resistor (5 k-ohms/10 W) to the terminals of each capacitor indicated below to discharge electricity. The time required for discharging is about 30 seconds per each. C305~C308 on AUDIO P.C.B.

安全対策

- この製品の内部には高電圧部分があり危険です。修理の際は、絶縁性の手袋を使用するなどの安全対策を行ってください。
- 下記のコンデンサには電源をOFFにした後も電荷が残り、高電圧が維持されており危険です。修理作業前に放電用抵抗(5 kΩ/10 W)を下記の各コンデンサの端子間に接続して放電してください。放電所用時間は各々約30秒間です。AUDIO P.C.B. の C305~C308

AUDIO (Side A)



Ref no.	Location	Ref no.	Location	Ref no.	Location
Q42	G4	Q71	G5	Q305	D4
Q43	G5	Q72	G5	Q306	D3
Q44	G5	Q73	G6	Q307	D5
Q45	G6	Q74	G6	Q308	D6
Q46	G6				
Q63	H4				
Q64	H4				
Q65	G3				
Q66	G3				
Q67	G4				
Q68	G4				
Q69	H5				
Q70	H5				

Note:

Precaution for handling measuring instrument

Since the speaker output of this unit is BALANCED OUT connected, the ground side of the measuring instrument to be connected to the speaker terminal MUST be kept in floating condition.

注意:

計測機器取り扱い上の注意

本機のスピーカー出力は BALANCED OUT 接続となっていますので、スピーカー端子に接続する計測器のアース側はフローティング状態に保つ必要があります。

A B C D E F G H I J

1

2

3

4

5

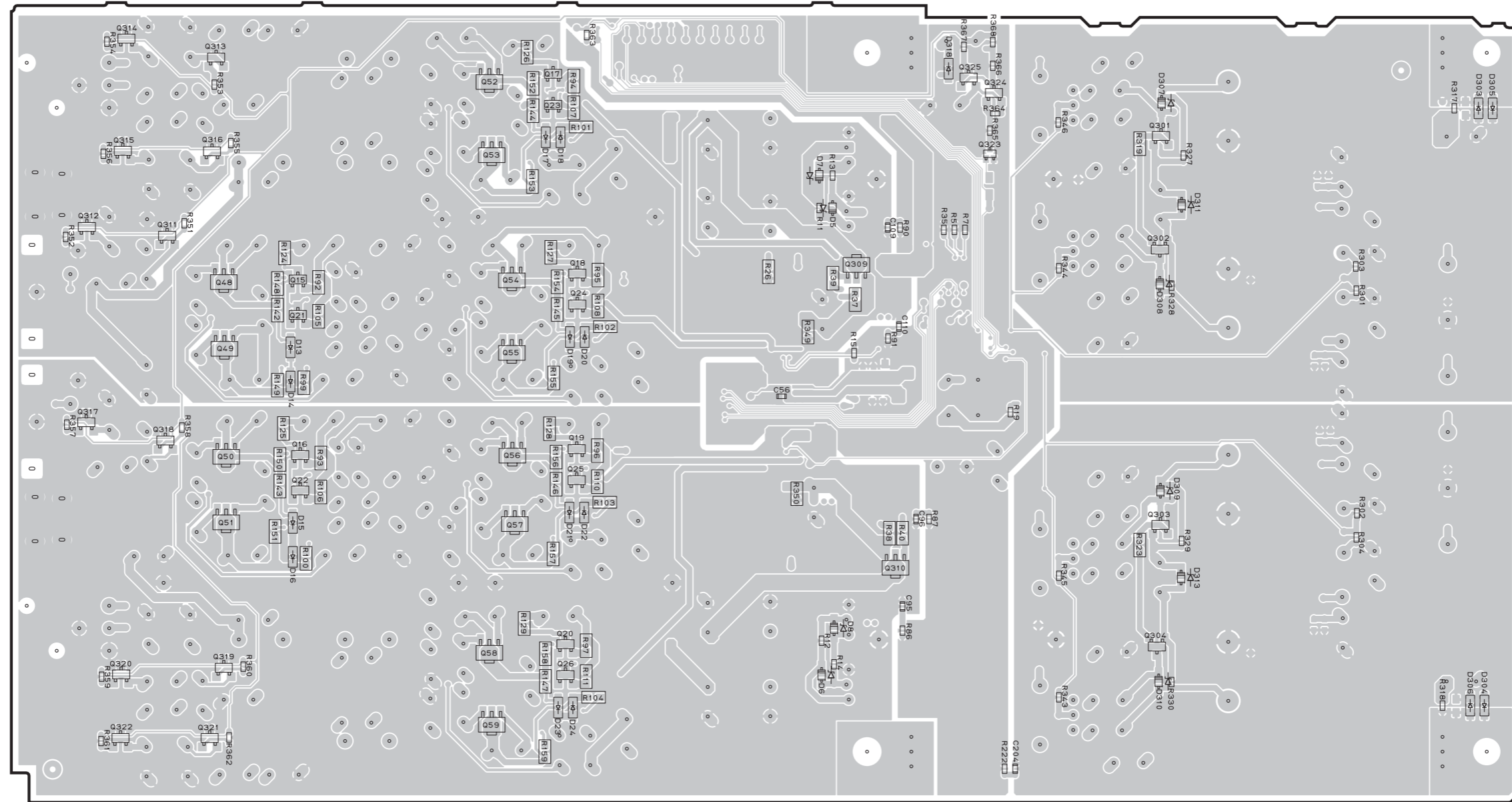
6

7

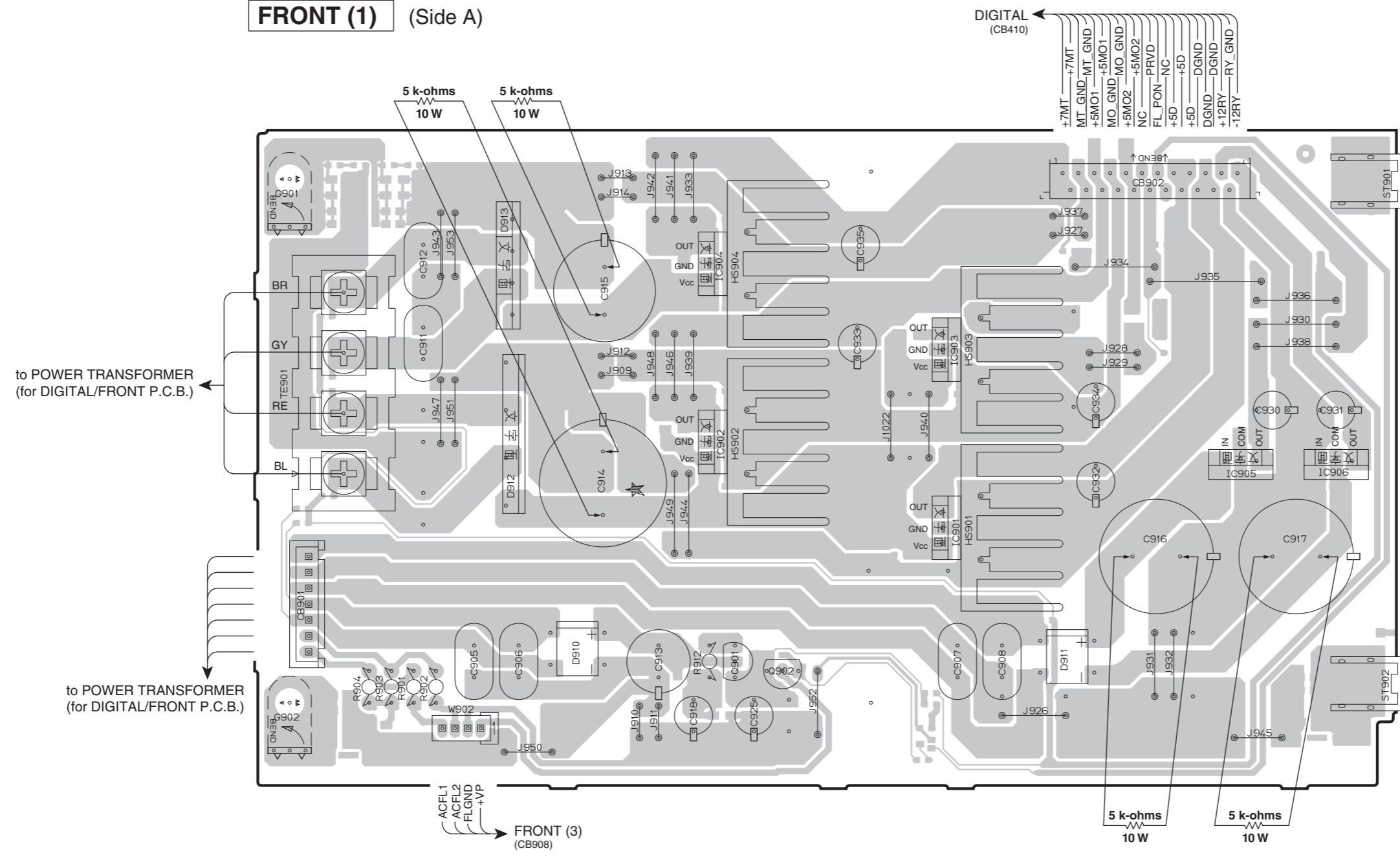
• Semiconductor Location

Ref no.	Location	Ref no.	Location	Ref no.	Location	Ref no.	Location	Ref no.	Location	Ref no.	Location	Ref no.	Location	Ref no.	Location
D5	F4	D19	D4	D307	G3	Q18	D4	Q49	C4	Q59	D6	Q314	B3	Q324	F3
D6	F6	D20	D4	D308	G4	Q19	D5	Q50	C5	Q301	G3	Q315	B3	Q325	F3
D7	F4	D21	D5	D309	G5	Q20	D6	Q51	C5	Q302	G4	Q316	C3		
D8	F6	D22	D5	D310	G6	Q21	C4	Q52	D3	Q303	G5	Q317	B5		
D13	C4	D23	D6	D311	G4	Q22	C5	Q53	D3	Q304	G6	Q318	B5		
D14	C5	D24	D6	D313	G5	Q23	D3	Q54	D4	Q309	F4	Q319	C6		
D15	C5	D303	I3	D318	F3	Q24	D4	Q55	D4	Q310	F5	Q320	B6		
D16	C5	D304	I6	Q15	C4	Q25	D5	Q56	D5	Q311	B4	Q321	C6		
D17	D3	D305	I3	Q16	C5	Q26	D6	Q57	D5	Q312	B4	Q322	B6		
D18	D3	D306	I6	Q17	D3	Q48	C4	Q58	D6	Q313	C3	Q323	F3		

AUDIO (Side B)



FRONT (1) (Side A)



- DIGITAL (CB410)
- +7MT
 - MT_GND MT_GND
 - +5MO1
 - MO_GND MO_GND
 - +5MO2
 - MO_GND
 - NC
 - FL_PON
 - NC
 - +5D
 - +5D
 - DGND
 - DGND
 - +12RY
 - RY_GND
 - 12RY

to POWER TRANSFORMER (for DIGITAL/FRONT P.C.B.)

to POWER TRANSFORMER (for DIGITAL/FRONT P.C.B.)

ACFL1
ACFL2
FLGND
+VP

FRONT (3)
(CB908)

5 k-ohms
10 W

5 k-ohms
10 W

• Semiconductor Location

Ref no.	Location
D910	E5
D911	G5
D912	D4
D913	D3
IC901	F4
IC902	E4
IC903	F3
IC904	E3
IC905	H4
IC906	H4
Q901	E5
Q902	F5

Safety measures

- Some internal parts in this product contain high voltages and are dangerous. Be sure to take safety measures during servicing, such as wearing insulating gloves.
- Note that the capacitors indicated below are dangerous even after the power is turned off because an electric charge remains and a high voltage continues to exist there. Before starting any repair work, connect a discharging resistor (5 k-ohms/10 W) to the terminals of each capacitor indicated below to discharge electricity. The time required for discharging is about 30 seconds per each.
C914-C917 on FRONT (1) P.C.B.

安全対策

- この製品の内部には高電圧部分があり危険です。修理の際は、絶縁性の手袋を使用するなどの安全対策を行ってください。
- 下記のコンデンサには電源を OFF にした後も電荷が残り、高電圧が維持されており危険です。修理作業前に放電用抵抗 (5 kΩ/10 W) を下記の各コンデンサの端子間に接続して放電してください。放電所用時間は各々約 30 秒間です。
FRONT (1) P.C.B. の C914-C917

1

FRONT (1) (Side B)

2

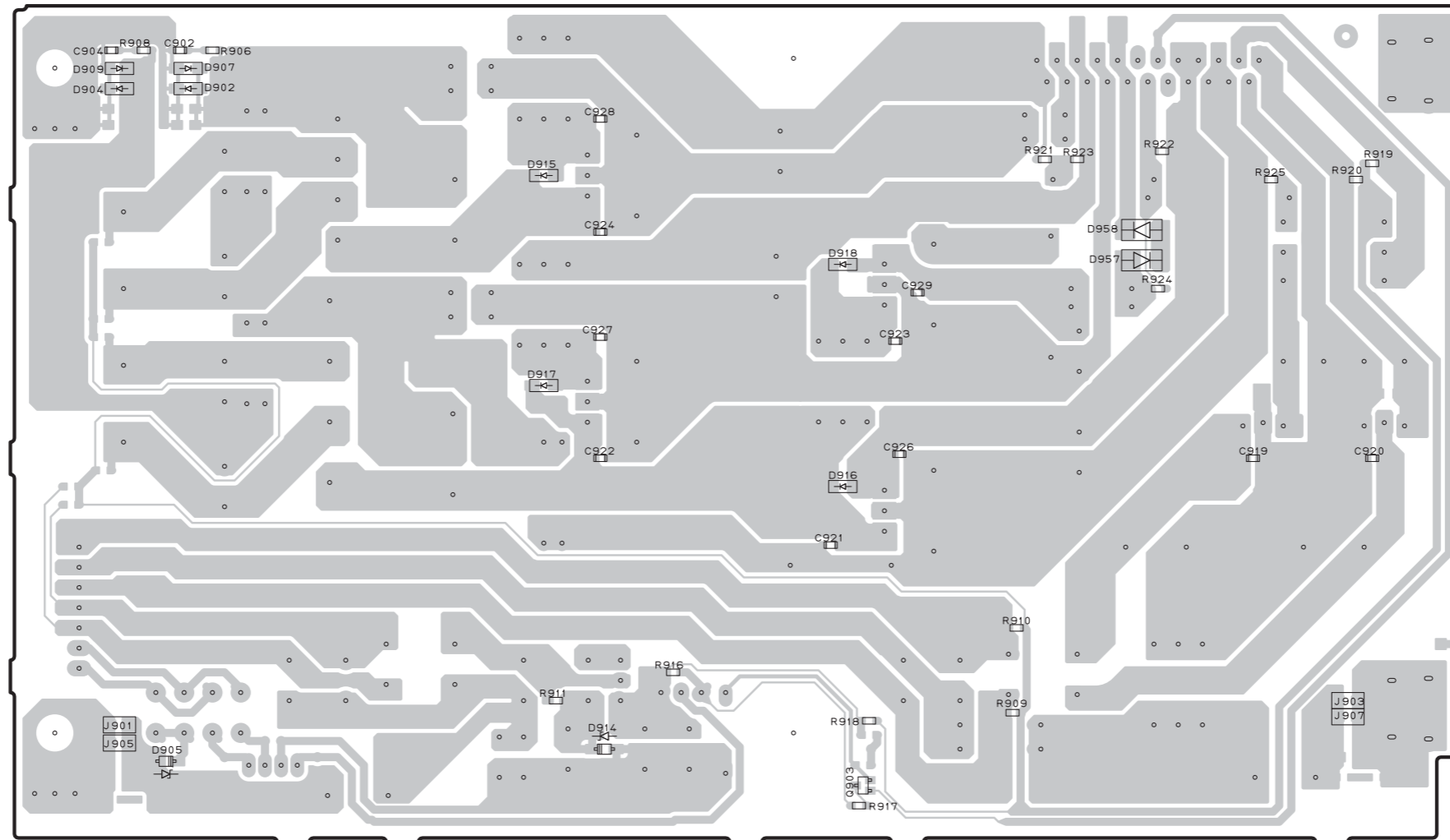
3

4

5

6

7



• Semiconductor Location

Ref no.	Location
D902	C3
D904	C3
D905	C5
D907	C2
D909	C2
D914	E5
D915	E3
D916	F4
D917	E4
D918	F3
D957	G3
D958	G3
Q903	F5

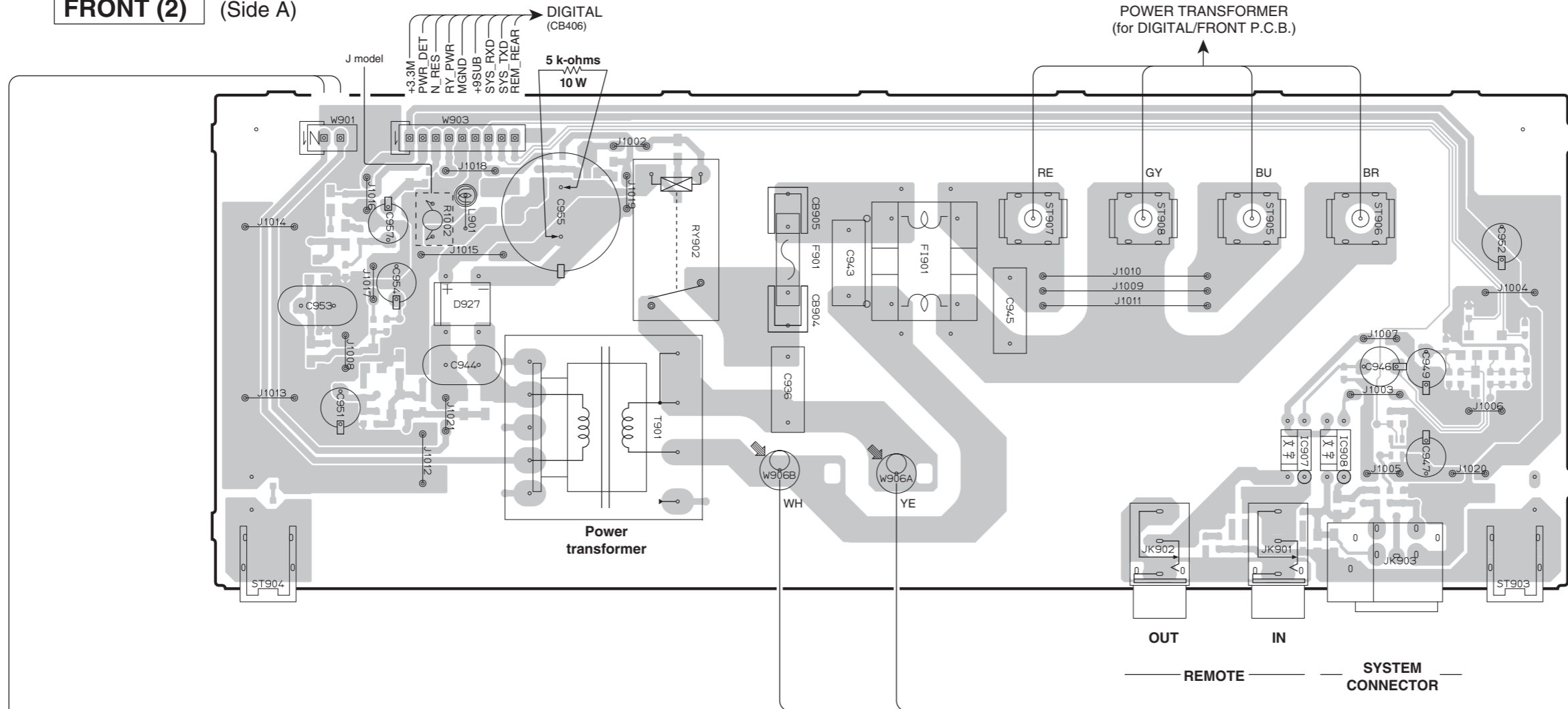
Safety measures

- Some internal parts in this product contain high voltages and are dangerous. Be sure to take safety measures during servicing, such as wearing insulating gloves.
- Note that the capacitors indicated below are dangerous even after the power is turned off because an electric charge remains and a high voltage continues to exist there. Before starting any repair work, connect a discharging resistor (5 k-ohms/10 W) to the terminals of each capacitor indicated below to discharge electricity. The time required for discharging is about 30 seconds per each. C955 on FRONT (2) P.C.B.

安全対策

- この製品の内部には高電圧部分があり危険です。修理の際は、絶縁性の手袋を使用するなどの安全対策を行ってください。
- 下記のコンデンサには電源を OFF にした後も電荷が残り、高電圧が維持されており危険です。修理作業前に放電用抵抗 (5 kΩ/10 W) を下記の各コンデンサの端子間に接続して放電してください。放電所用時間は各々約 30 秒間です。FRONT (2) P.C.B. の C955

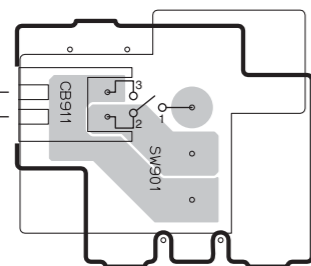
FRONT (2) (Side A)



• Semiconductor Location

Ref no.	Location
D927	D3
IC907	H4
IC908	H4

FRONT (6) (Side A)



U, K, A, B, G, L, V, S, J models

STANDBY/ON

OFF

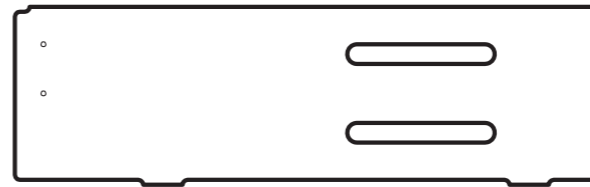
(Power)

T model

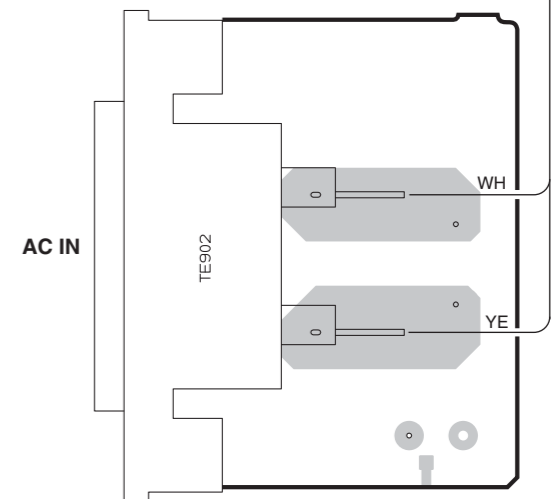
FRONT (7-1) (Side A)



FRONT (7-2) (Side A)



FRONT (8) (Side A)



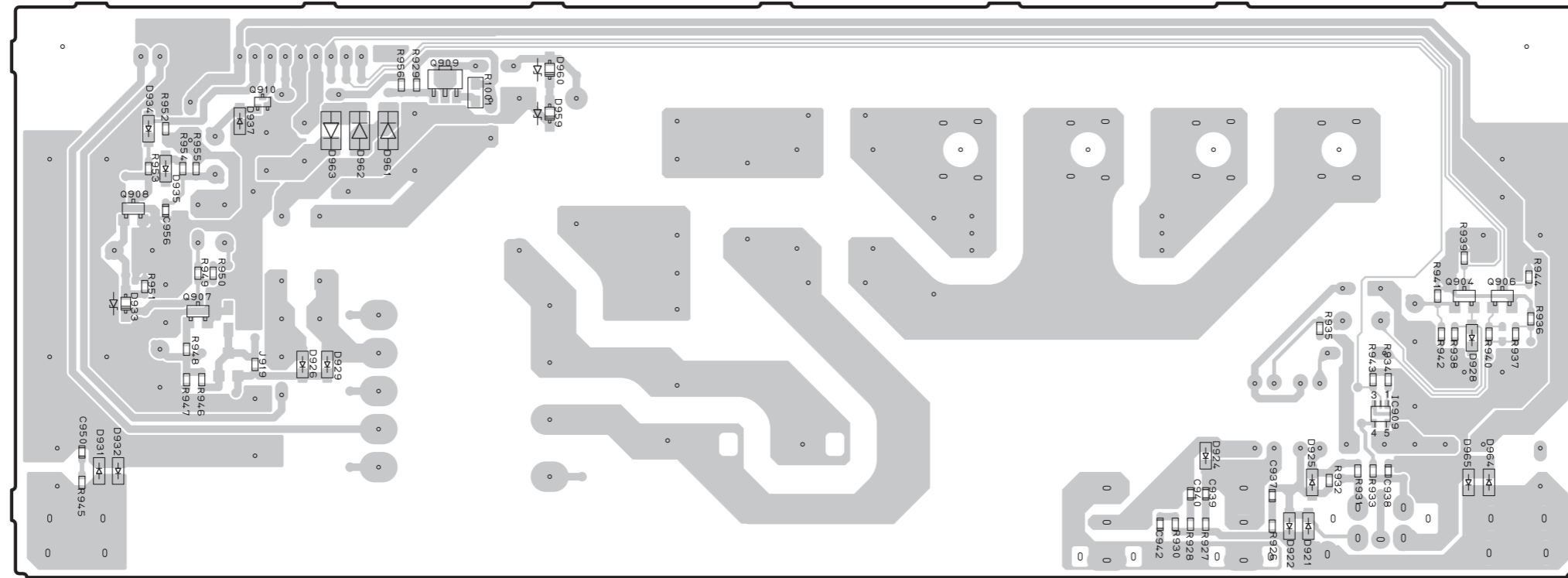
1

FRONT (2) (Side B)

2

3

4



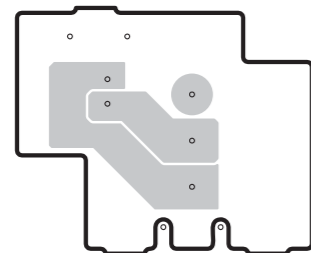
• Semiconductor Location

Ref no.	Location	Ref no.	Location
D921	G4	D960	D2
D922	G4	D961	C3
D924	G4	D962	C3
D925	G4	D963	C3
D926	C4	D964	H4
D928	H4	D965	H4
D929	C4	IC909	H4
D931	B4	Q904	H3
D932	B4	Q906	H3
D933	B3	Q907	C3
D934	B3	Q908	B3
D935	C3	Q909	D2
D937	C3	Q910	C2
D959	D3		

5

FRONT (8) (Side B)

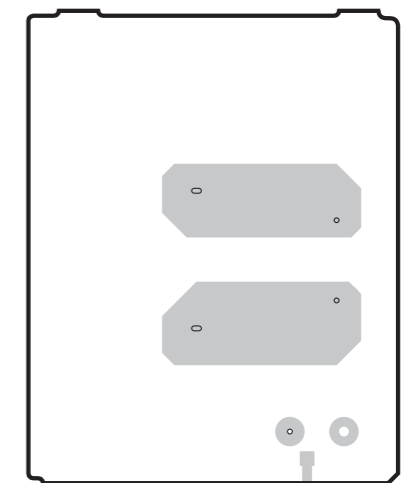
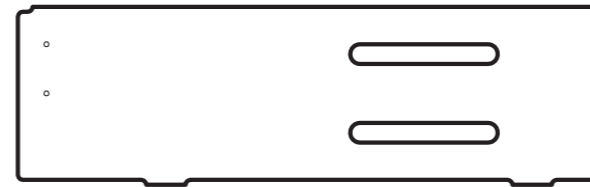
FRONT (6) (Side B)



FRONT (7-1) (Side B)



FRONT (7-2) (Side B)

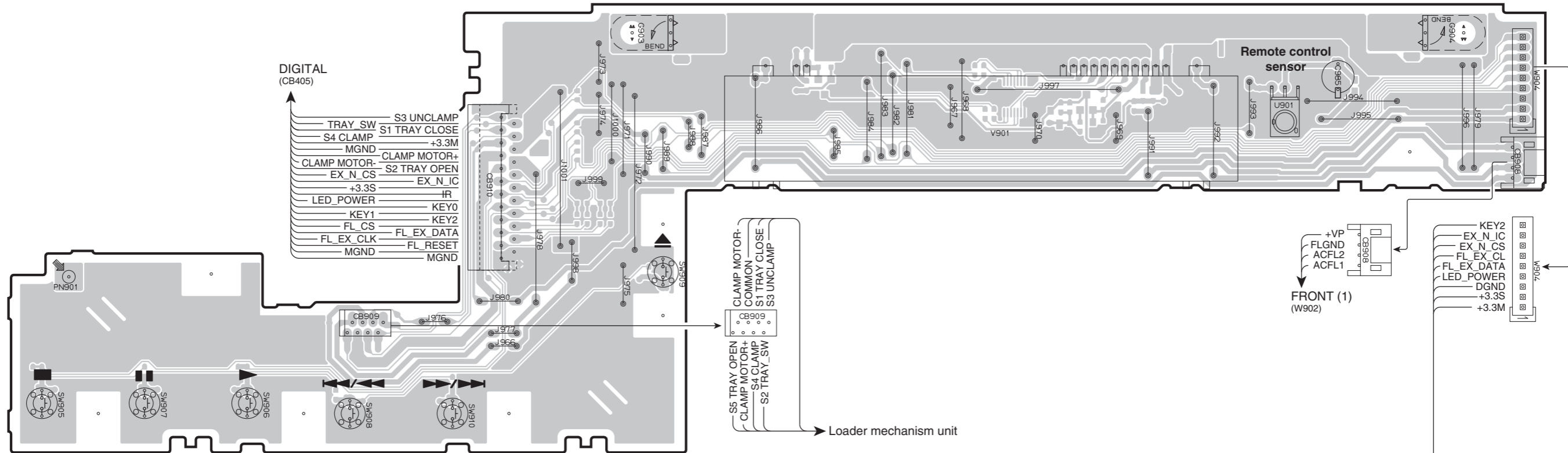


7

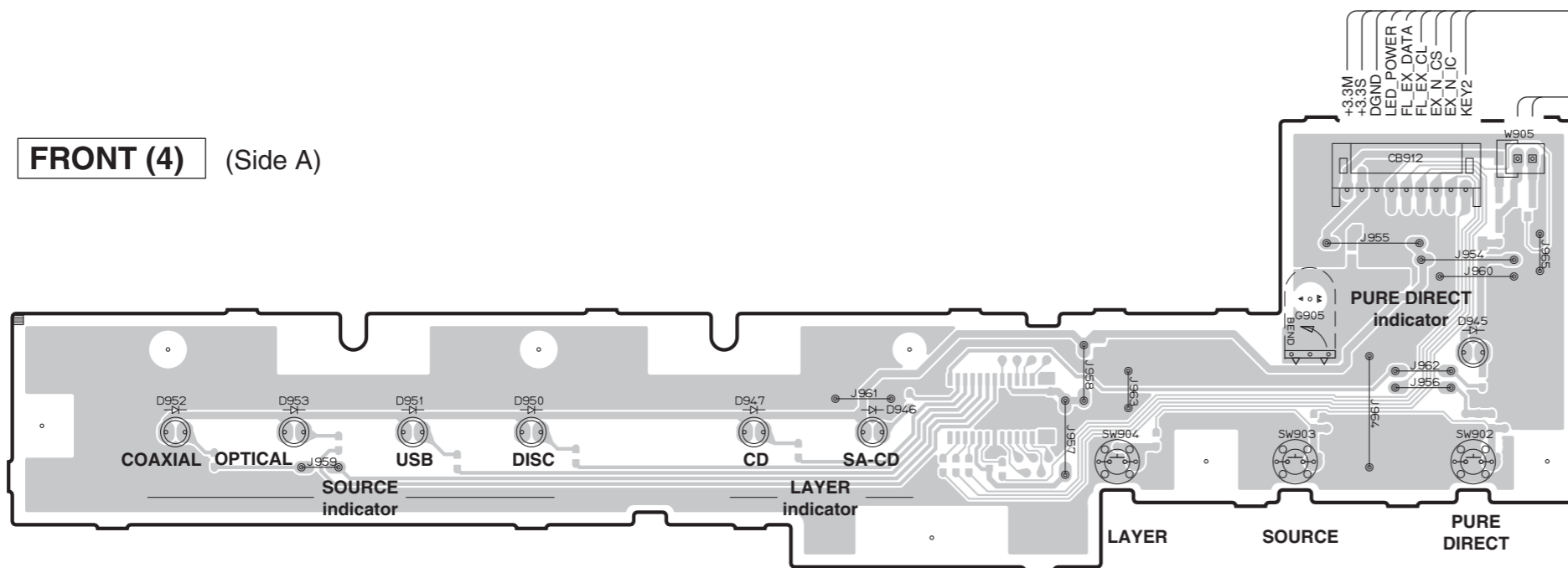
• Semiconductor Location

Ref no.	Location	Ref no.	Location
D945	G6	D951	C6
D946	E6	D952	B6
D947	D6	D953	B6
D950	C6	D956	I6

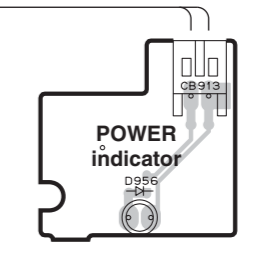
FRONT (3) (Side A)



FRONT (4) (Side A)



FRONT (5) (Side A)



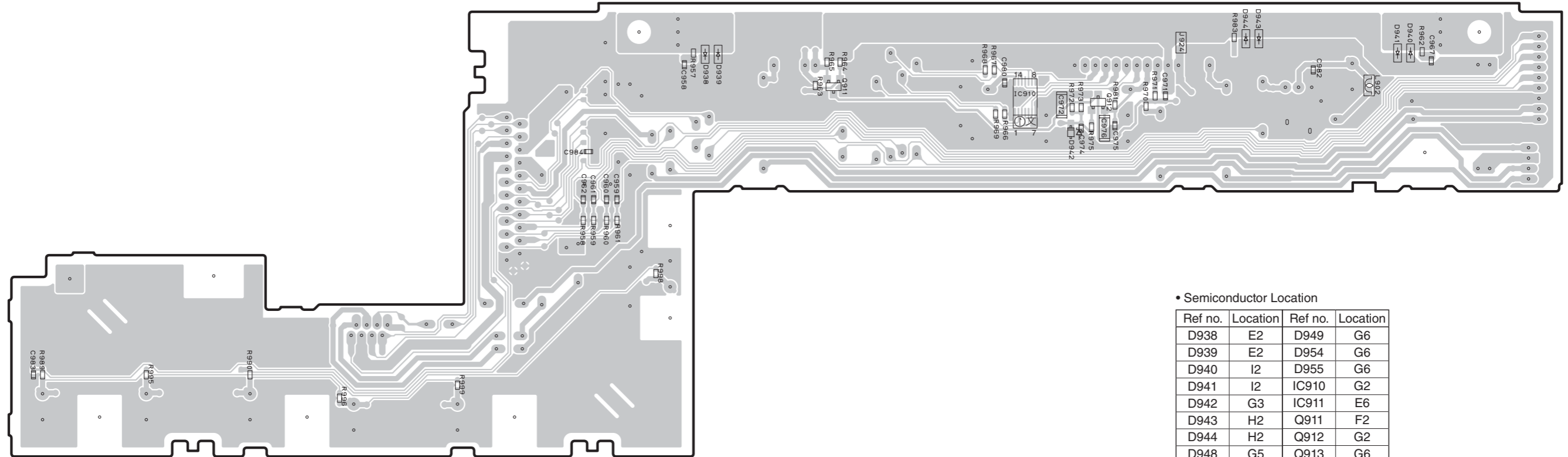
1

FRONT (3) (Side B)

2

3

4



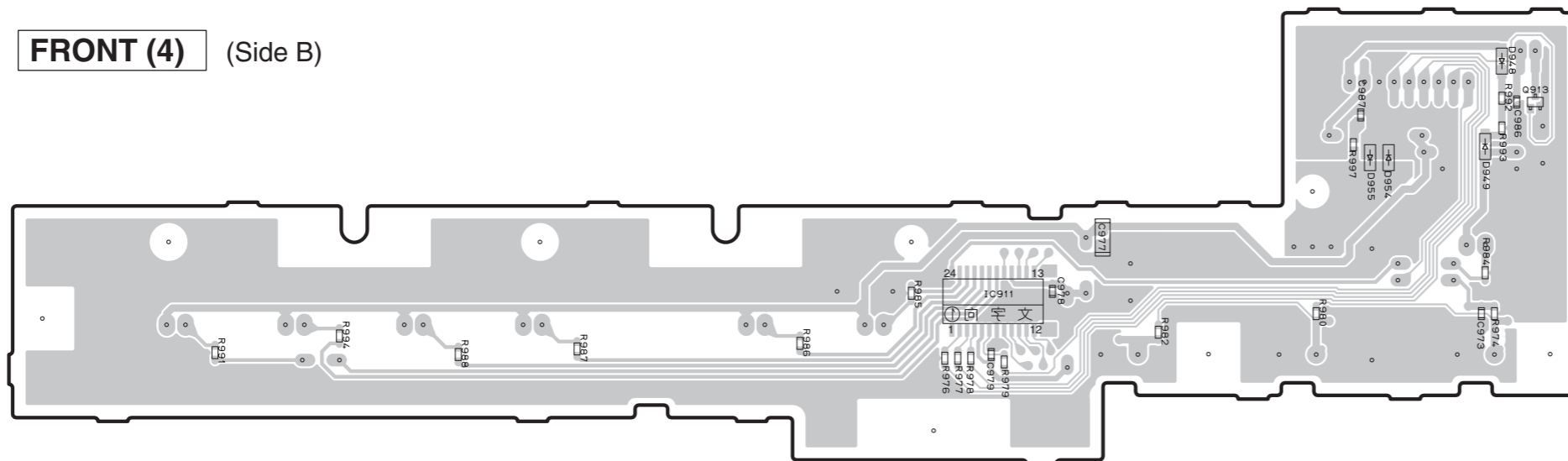
• Semiconductor Location

Ref no.	Location	Ref no.	Location
D938	E2	D949	G6
D939	E2	D954	G6
D940	I2	D955	G6
D941	I2	IC910	G2
D942	G3	IC911	E6
D943	H2	Q911	F2
D944	H2	Q912	G2
D948	G5	Q913	G6

5

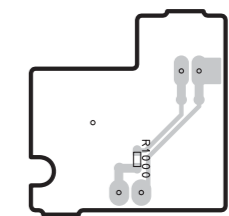
FRONT (4) (Side B)

6



FRONT (5) (Side B)

7



PIN CONNECTION DIAGRAMS

ICs

BA05CC0T BA07CC0T 	BA6956AN 	BD00GA3WEFJ-E2 	EN29LV160CB-70TIP 	ES9016S
LC709004AMJ-AH 	LCMX02-640HC-4TG100C 	NE5532DR 	NJM7812FA 	NJM7912FA
		NJM4565M (TE1) 		
PCM9210PTR 	R1172H151D-T1-FE 	R1172S121D-E2-F R1172S331B-E2-F 	R5F364AENFA 	RP130Q331D-TR-F
	R3112N291A-TR-FE 			
SN74LVC1G125DCKR 	TC74VHC541FT 	TC74VHCT08AFT 	TC7SH08F 	TC7SZ125FU
			TC7WHU04FK TC7WH14FK TC7WZ08FK 	
μPD800500F1-011-KN9-A 				

Diodes

1SR154-400 	1SS355VMTE-17 RB520SM-40 	D4SBN20-7101 	RS203M-B-C-J80 	S1NB60 1.0A 600V 	UDZV2.0B UDZV3.3B UDZV3.6B UDZV4.7B UDZV5.1B UDZV5.6B 	UDZV11B UDZV12B UDZV30B
----------------	---------------------------------	------------------	--------------------	----------------------	--	-----------------------------------

Transistors

2SA1037AK R,S 	2SA1037K 	2SA1162-Y (TE85R, F) 	2SA1312-GR,BL 	2SA1725 	2SAR513P 2SCR513P 	2SC2412K 	2SC3324-GR,BL 	2SC4511
2SD2704 K 	2SK880-BL (TE85L) 	DTC014EUBTL DTC023JUBTL DTC044EUBTL 	KTA1266 Y AT 	KTA1659A-U/PF KTC4370A-Y-U/PF 	KTC3198 Y AT 	RAL035P01 		

SCHEMATIC DIAGRAMS
DIGITAL 1/3

DIGITAL
001.sht
401~900

Designation Part List

REV	LOC	QTY	SYMBOL	QTY	QTY
0001	C401	000000	000000	000000	000000
0001	C402	000000	000000	000000	000000
0001	C403	000000	000000	000000	000000
0001	C404	000000	000000	000000	000000

NOTICE (model)

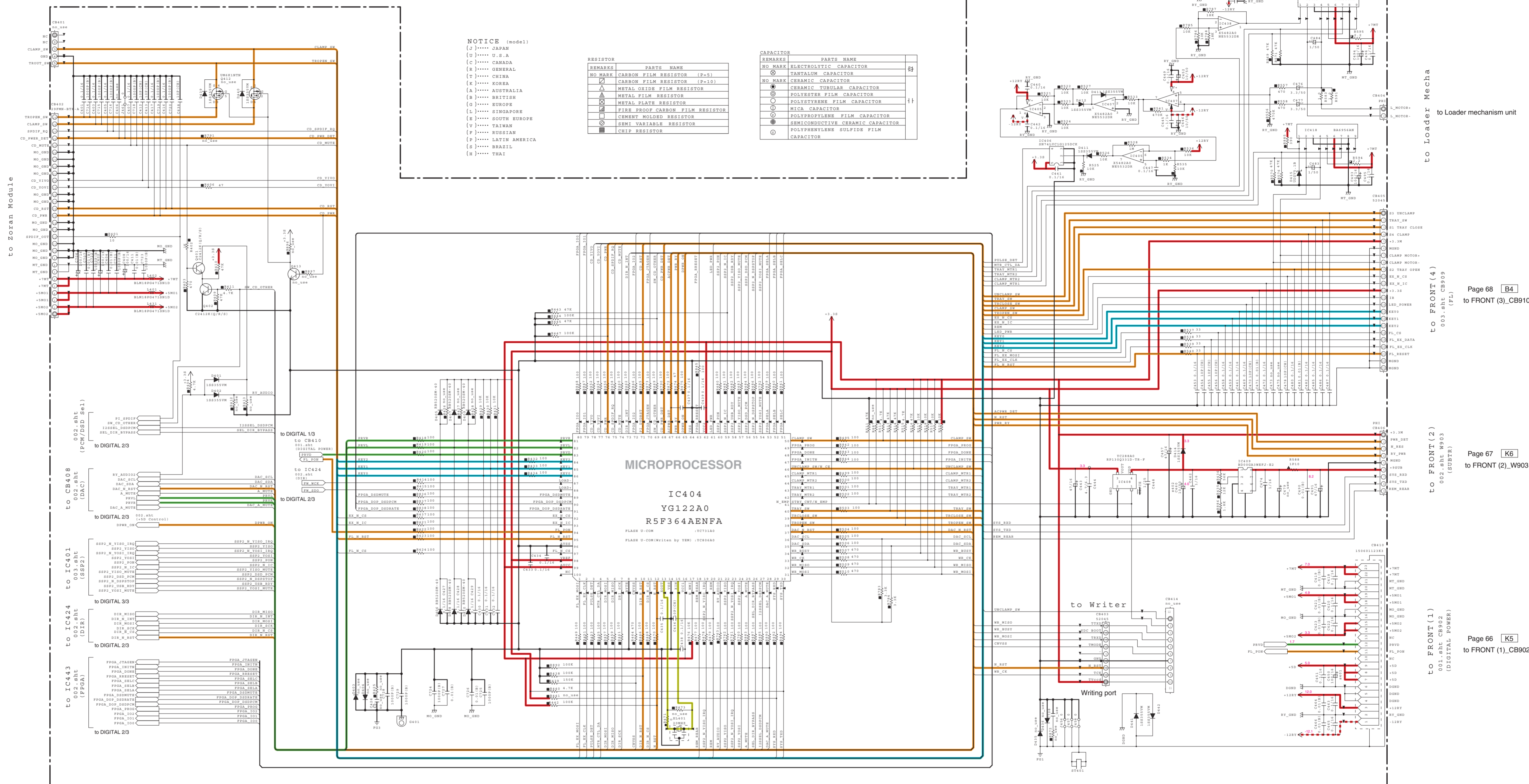
(J) JAPAN
(S) U.S.A.
(C) CANADA
(R) GENERAL
(T) CHINA
(K) KOREA
(A) AUSTRALIA
(B) BRITISH
(G) EUROPE
(L) SINGAPORE
(E) SOUTH EUROPE
(V) TAIWAN
(F) RUSSIAN
(I) LATIN AMERICA
(H) THAI

RESISTOR

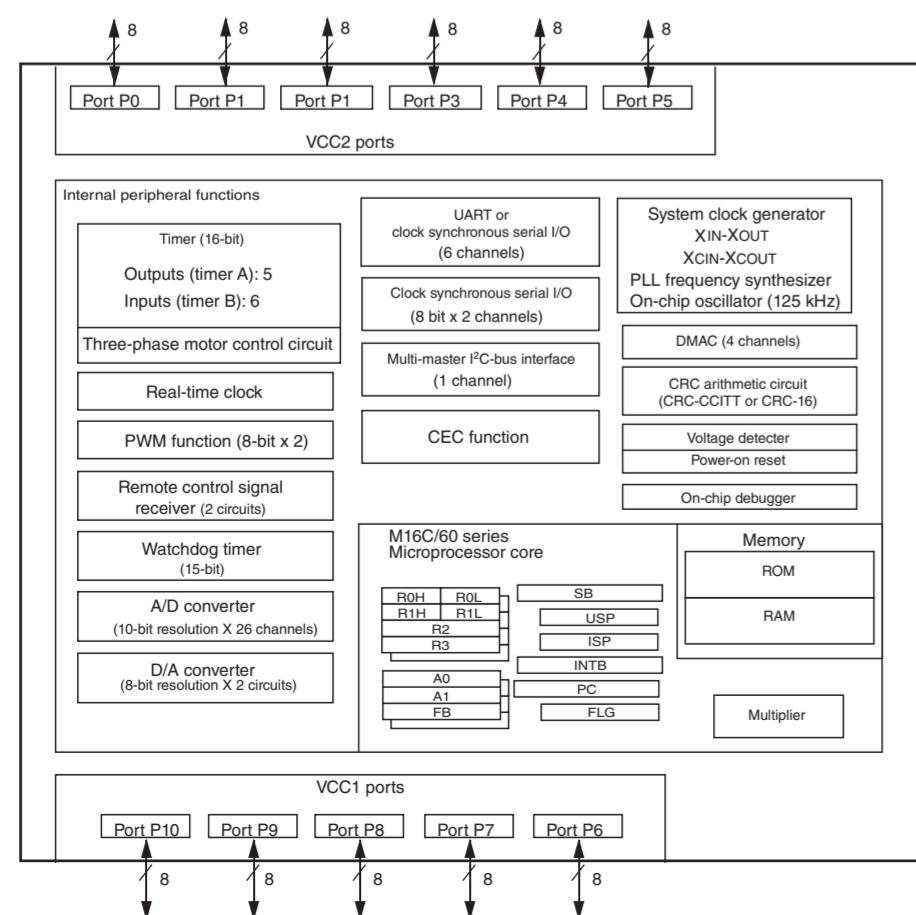
REMARKS	PARTS NAME
NO MARK	CARBON FILM RESISTOR (P=5)
△	CARBON FILM RESISTOR (P=10)
▲	METAL OXIDE FILM RESISTOR
△	METAL FILM RESISTOR
□	METAL PLATE RESISTOR
■	FIRE PROOF CARBON FILM RESISTOR
□	CEMENT MOLDED RESISTOR
□	SEMI-VARIABLE RESISTOR
■	CHIP RESISTOR

CAPACITOR

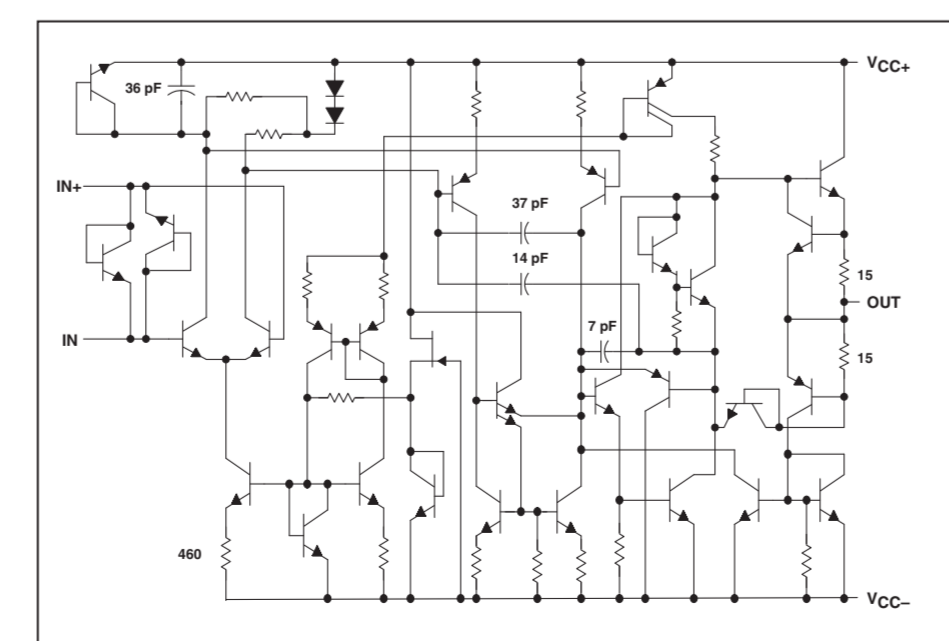
REMARKS	PARTS NAME
NO MARK	ELECTROLYTIC CAPACITOR
○	TANTALUM CAPACITOR
○	CERAMIC CAPACITOR
○	CERAMIC TUBULAR CAPACITOR
○	POLYESTER FILM CAPACITOR
○	POLYETHYLENE FILM CAPACITOR
○	MICA CAPACITOR
○	POLYPROPYLENE FILM CAPACITOR
○	SEMICONDUCTIVE CERAMIC CAPACITOR
○	POLYBENZENE SULFIDE FILM CAPACITOR



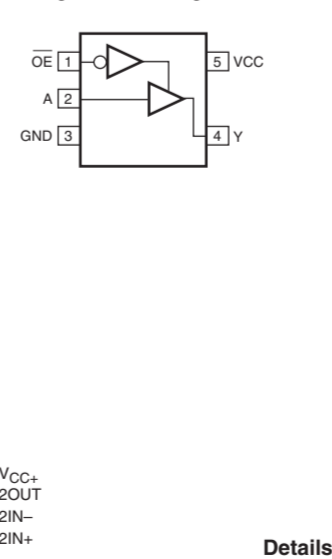
IC404: R5F364AENFA
Single chip 16-bit microprocessor



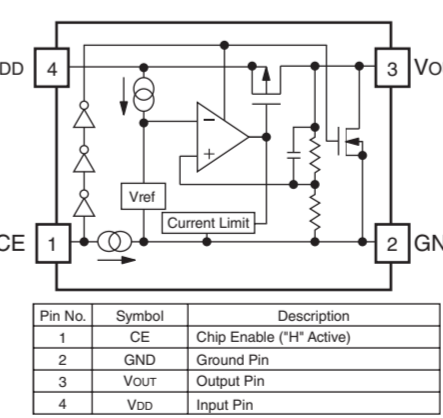
IC405, 407, 438: NE5532DR
Dual low-noise operational amplifiers



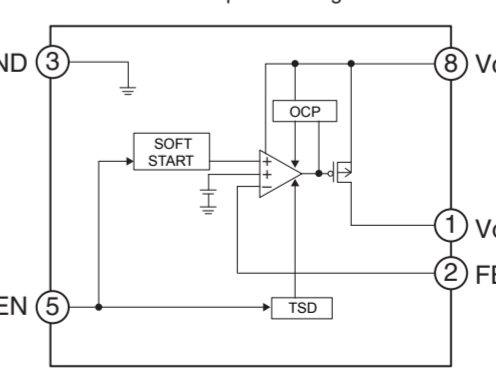
IC406: SN74LVC1G125DCKR
Single bus buffer gate



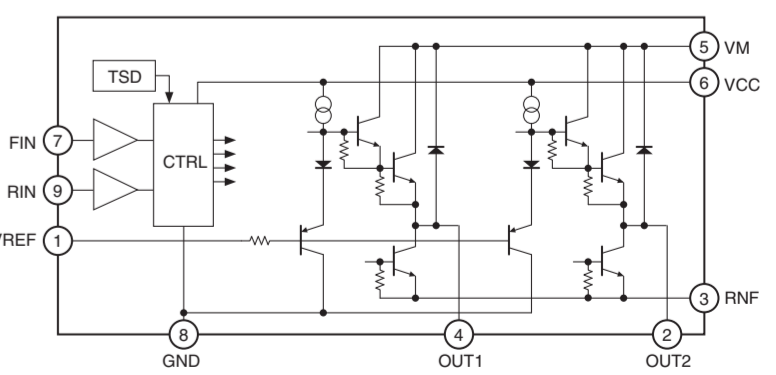
IC408: RP130Q331D-TR-F
Voltage regulator



IC409: BD00GA3WEFJ-E2
300 mA variable output LDO regulator



IC418, 419: BA6956AN
Reversible motor driver



Details of colored lines

- Red / full line: Power supply (+)
- Red / dashed line: Power supply (-)
- Orange: Signal detect
- Yellow: Clock
- Green: Protection detect
- Brown: Reset signal
- Blue: Panel key input

* All voltages are measured with a 10MΩ DC electronic voltmeter.
* Components having special characteristics are marked Δ and must be replaced with parts having specifications equal to those originally installed.
* Schematic diagram is subject to change without notice.

●電圧は、内部抵抗 10MΩの電圧計で測定したものです。
●△印のある部品は、安全性確保部品を有しています。部品の交換が必要な場合、パーツリストに記載されている部品を使用してください。
●本回路図は標準回路図です。改良のため予告なく変更することがあります。

DIGITAL 2/3

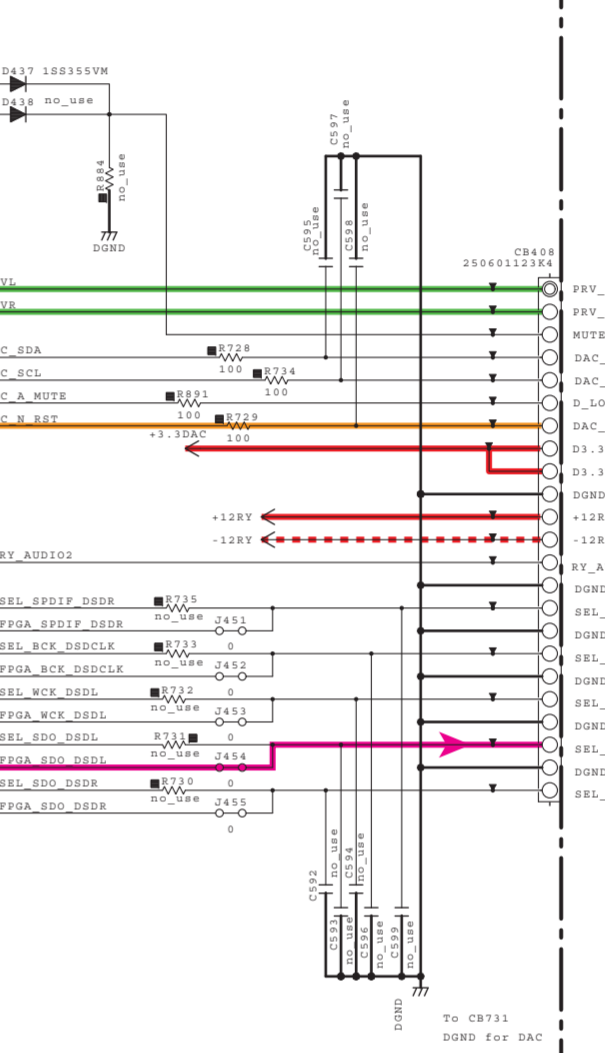
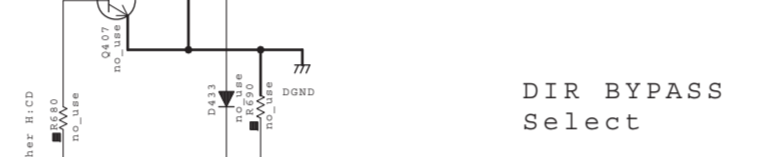
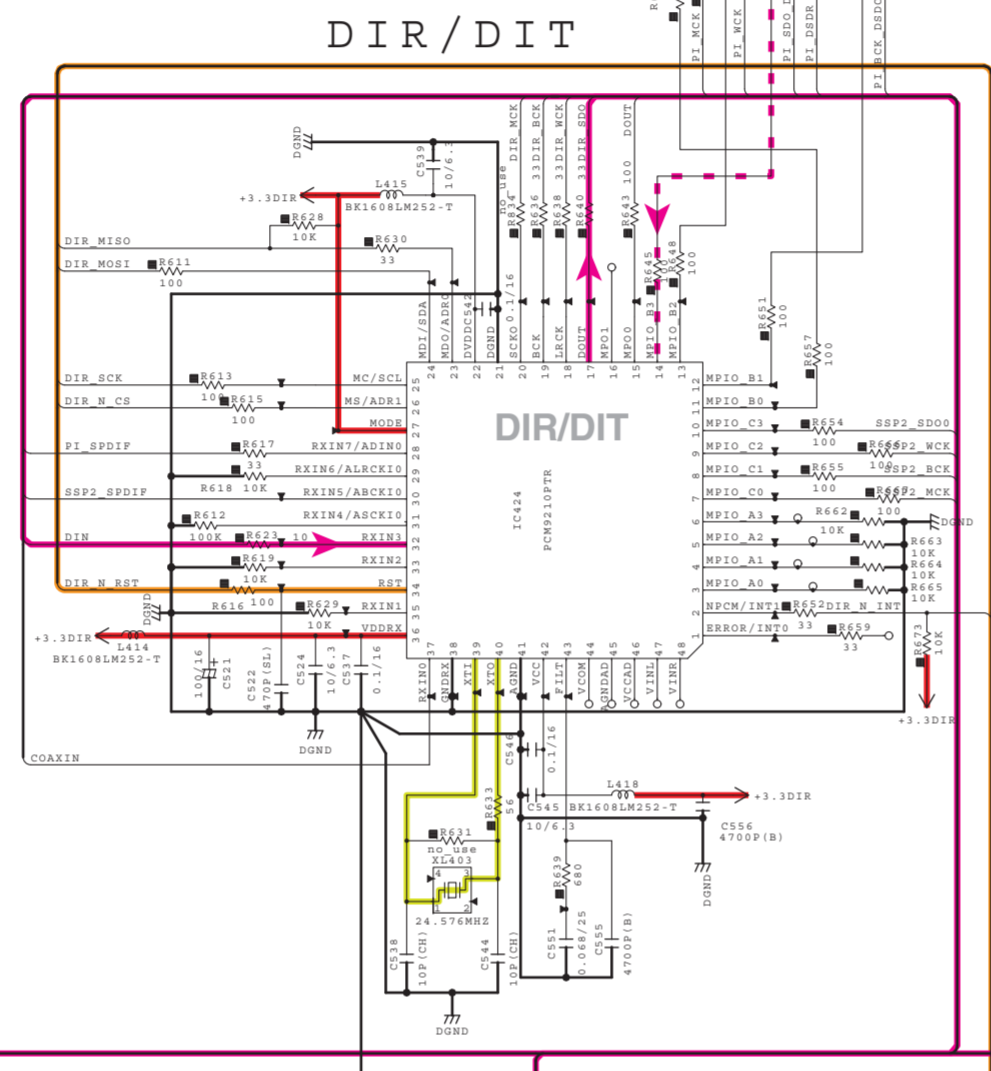
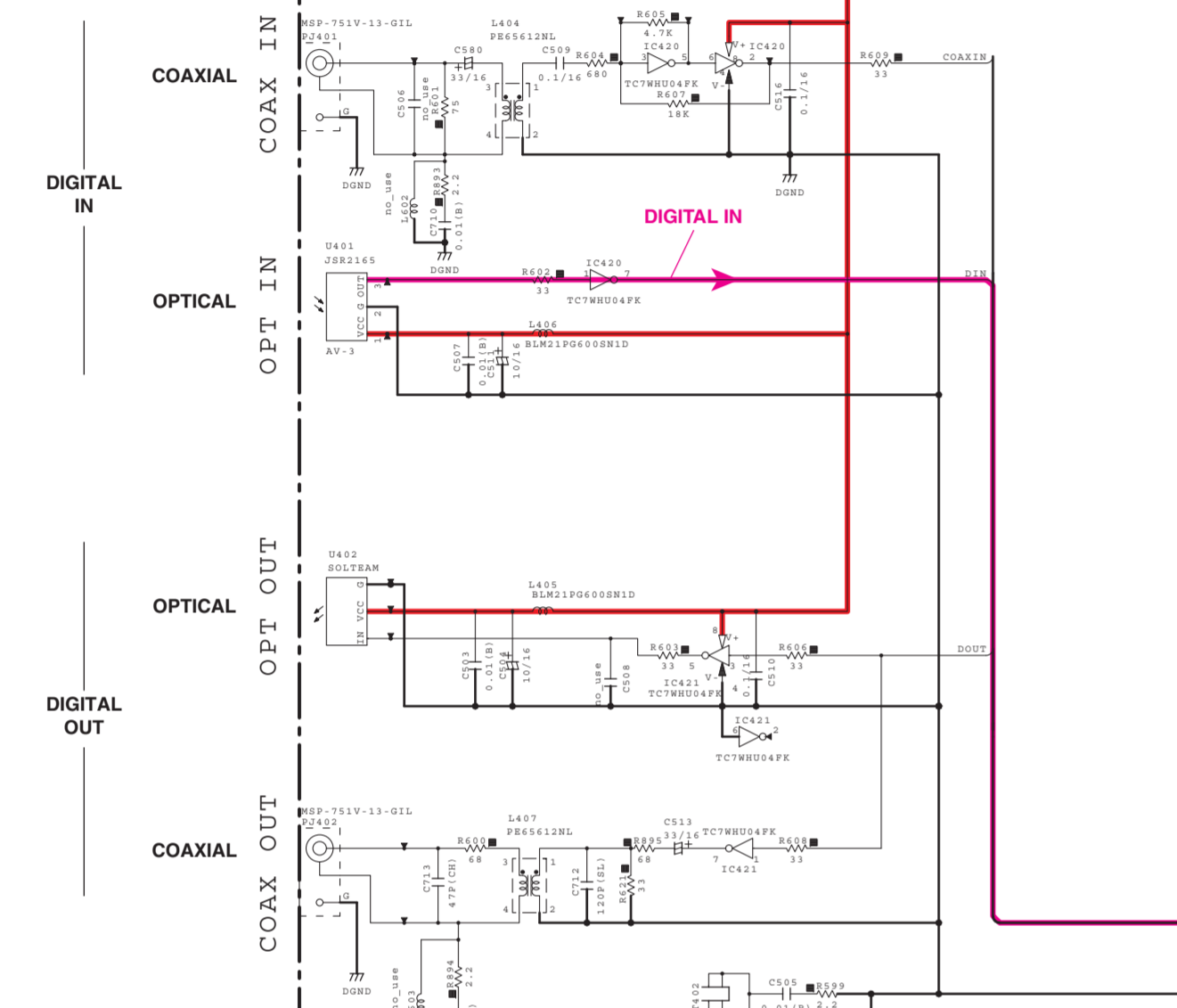
DIGITAL
002.sht
401~900

to Module board_CN210
To Zoran Module

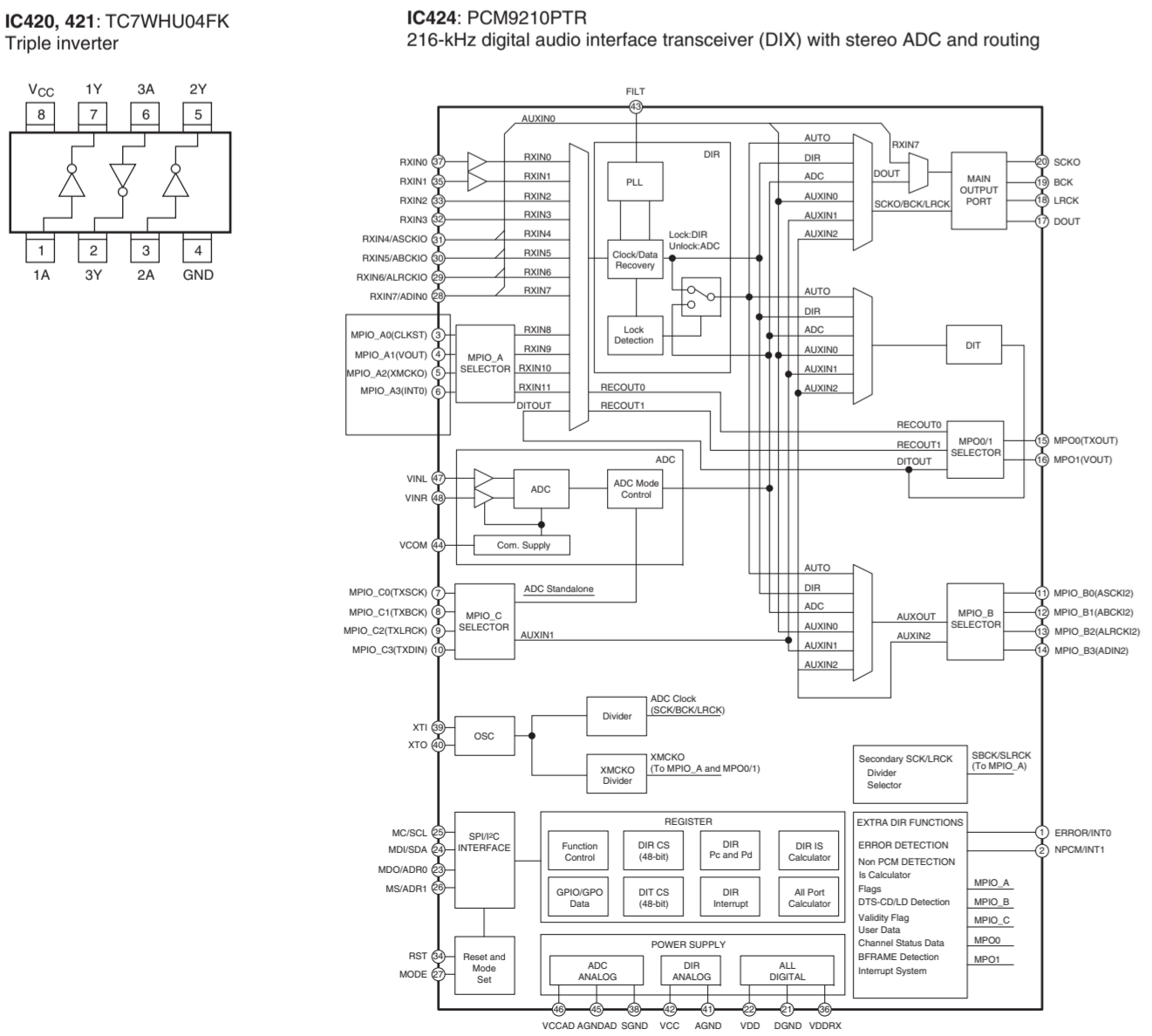
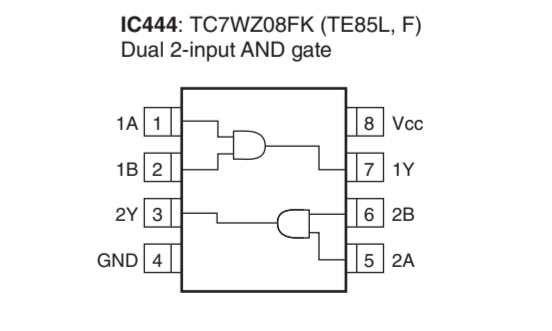
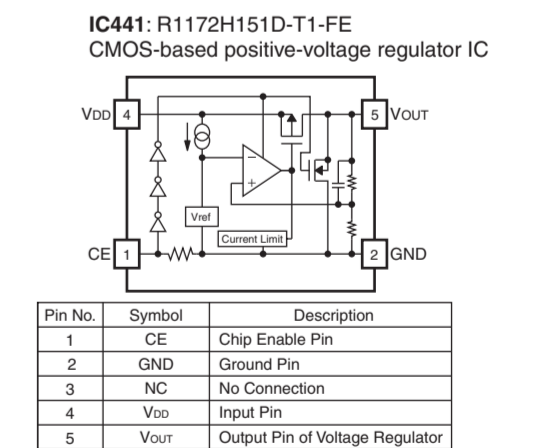
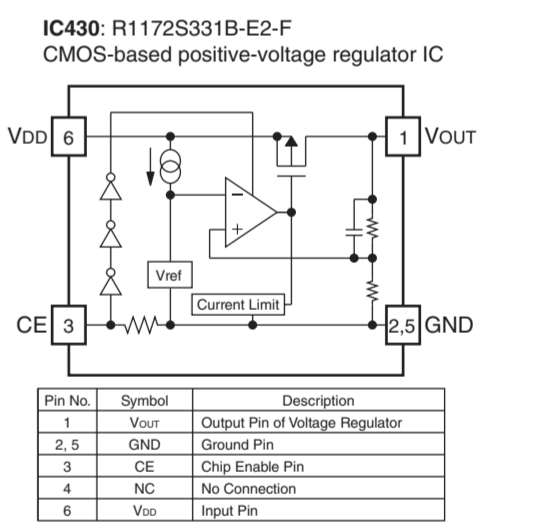
NOTICE (mod=1)
(J)..... JAPAN
(U)..... U.S.A
(C)..... CANADA
(R)..... GENERAL
(T)..... CHINA
(K)..... KOREA
(A)..... AUSTRALIA
(B)..... BRITISH
(E)..... EUROPE
(L)..... SINGAPORE
(S)..... SOUTH EUROPE
(V)..... TAIWAN
(P)..... RUSSIAN
(D)..... LATIN AMERICA
(S)..... BRAZIL
(H)..... THAI

CAPACITOR PARTS NAME table with columns for Remarks, Part Name, and a symbol key.

RESISTOR PARTS NAME table with columns for Remarks, Part Name, and a symbol key.



Page 64 B6
to AUDIO_CB1



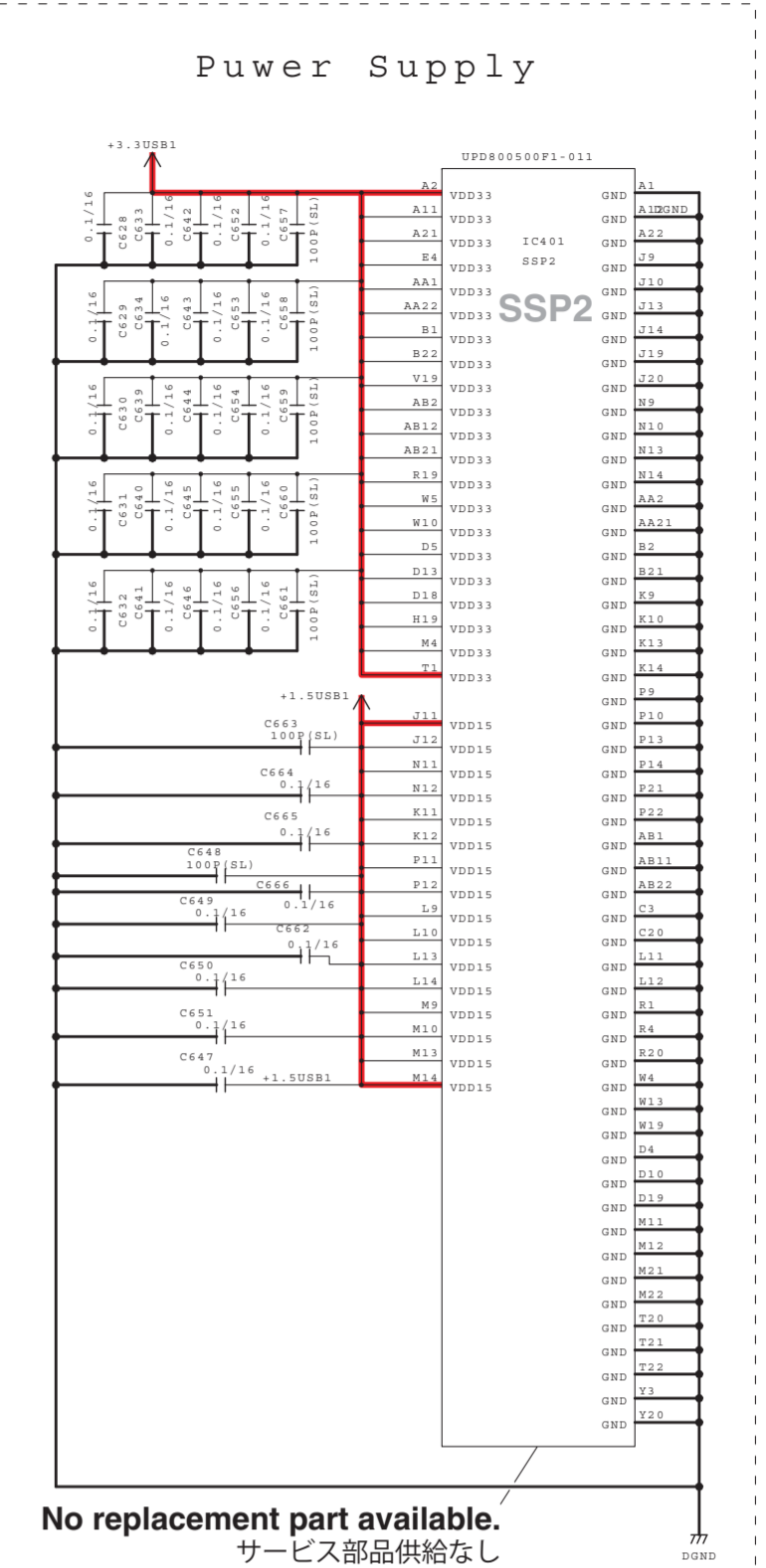
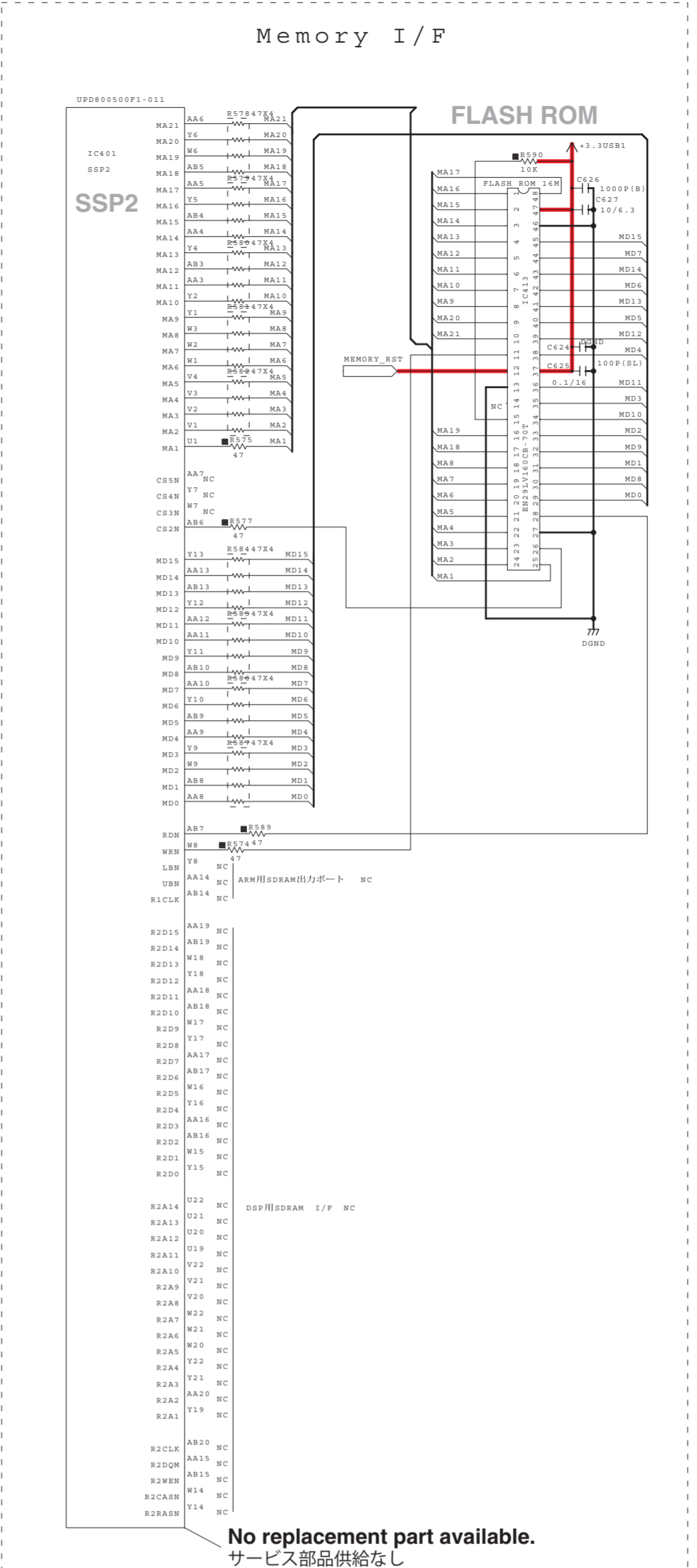
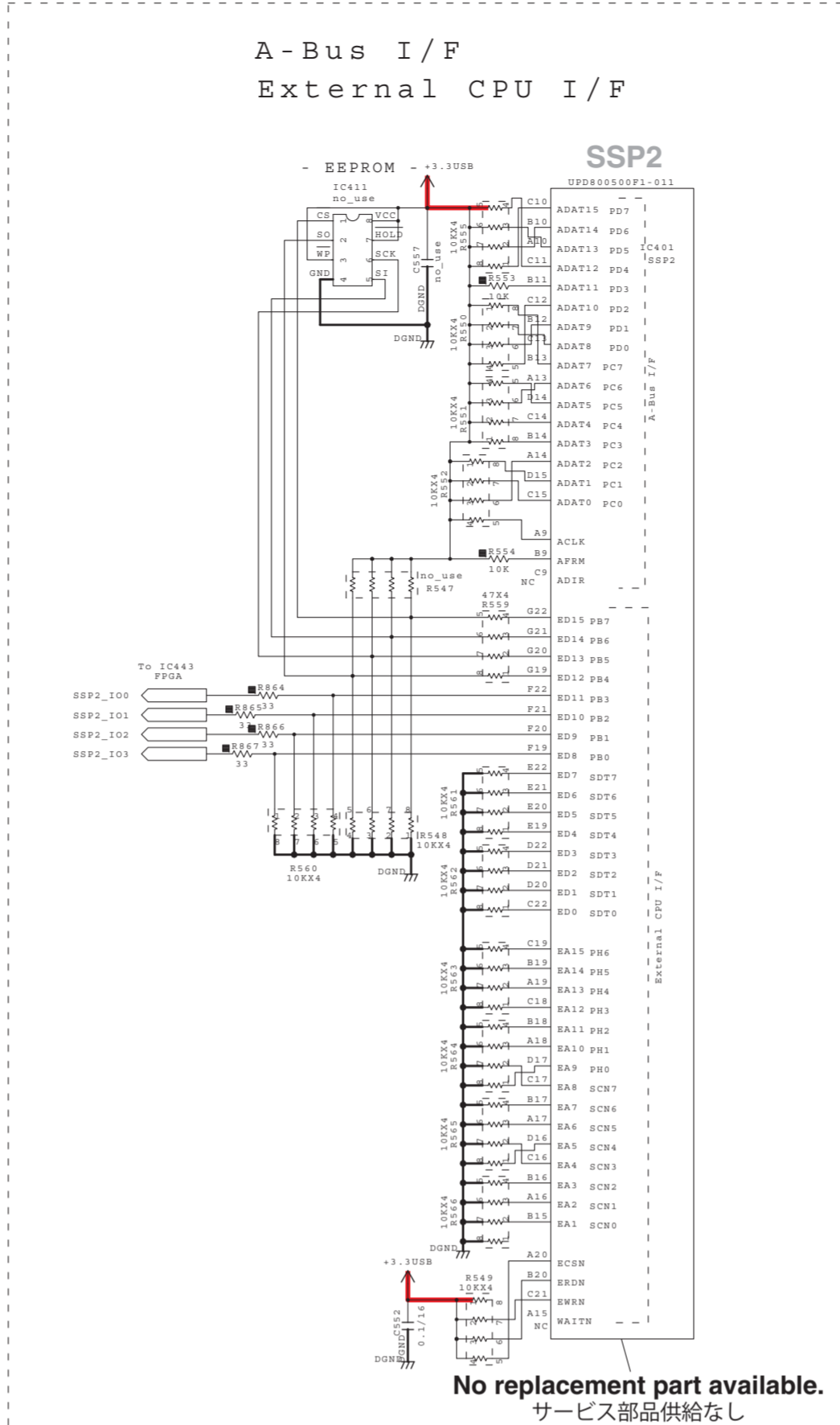
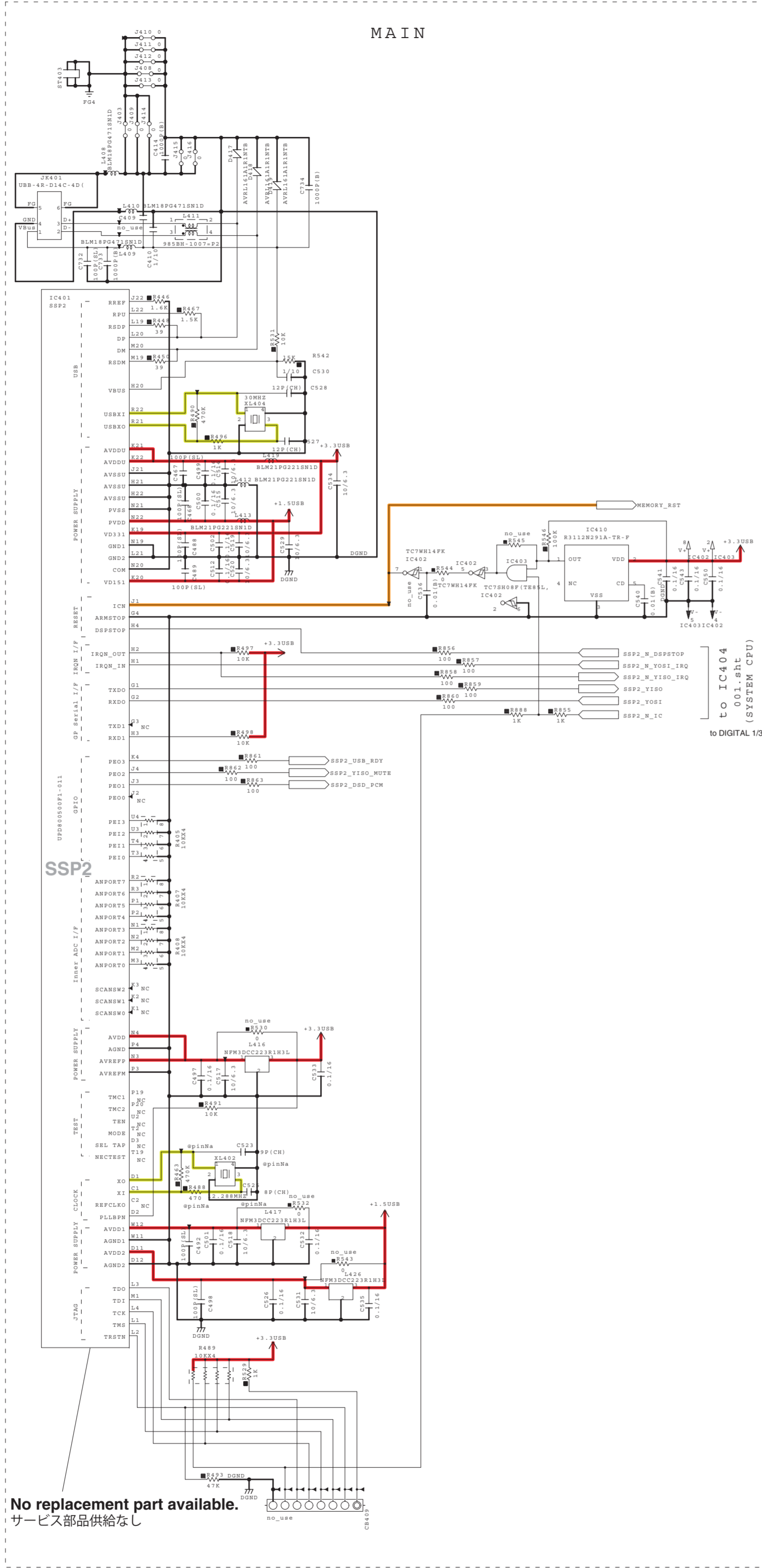
No replacement part available.
サービス部品供給なし

Details of colored lines:
Red / full line: Power supply (+)
Red / dashed line: Power supply (-)
Orange: Signal detect
Yellow: Clock
Green: Protection detect
Brown: Reset signal
Blue: Panel key input

All voltages are measured with a 10MΩ/VC DC electronic voltmeter.
Components having special characteristics are marked A, and must be replaced with parts having specifications equal to those originally installed.
Schematic diagram is subject to change without notice.

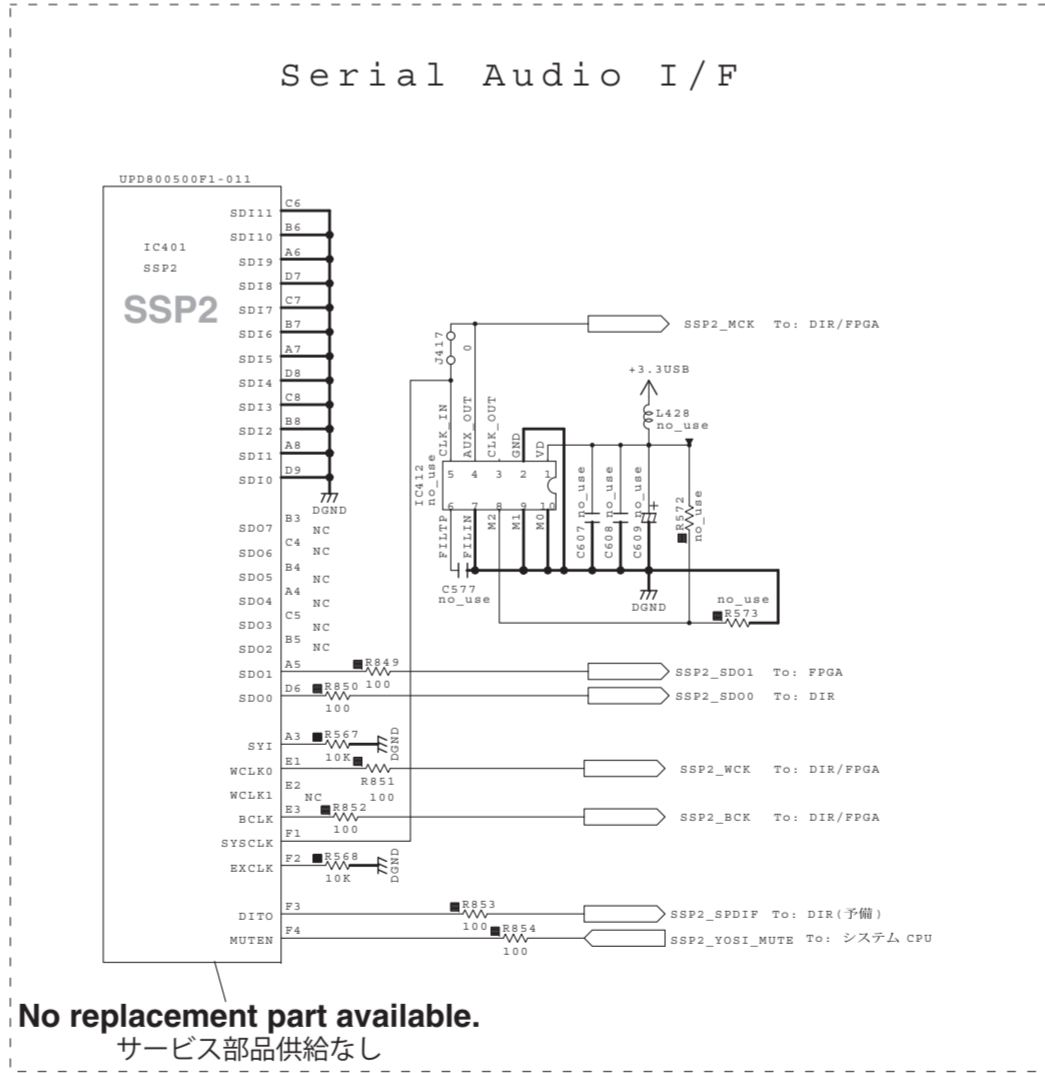
電圧は、内部抵抗 10MΩの電圧計で測定したものです。
▲印のある部品は、安全確保部品を示しています。部品の交換が必要な場合、パーツリストに記載されている部品を使用してください。
●本回路図は標準回路図です。改良のため予告なく変更することがあります。

DIGITAL 3/3



DIGITAL
003.sht
401~900

REMARKS	PARTS NAME	VALUE
(NO MARK)	ELECTROLYTIC CAPACITOR	
(T)	TANTALUM CAPACITOR	
(M)	CERAMIC CAPACITOR	
(R)	POLYESTER FILM CAPACITOR	
(P)	POLYPROPYLENE FILM CAPACITOR	
(S)	SEMICONDUCTIVE CERAMIC CAPACITOR	



IC402: TC7WH14FK
Triple schmitt inverter

IC403: TC7SH08F
2-input AND gate

IC410: R3112N291A-TR-FE
Voltage regulator

Pin No.	Symbol	Description
1	OUT	Output Pin (1" at Default, "1" at Released)
2	Vcc	Input and power source for device itself
3	GND	Ground Pin
4	NC	No Connection
5	Co	Pin for external capacitor for setting output delay

IC413: EN29LV160CB-70TIP
16 M-bit flash memory boot sector flash memory, CMOS 3.0 volt-only

48-Pin Standard TSOP

Pin No.	Symbol	Description
1	Vcc	Input and power source for device itself
2	GND	Ground Pin
3	WE#	Chip Write Enable
4	CE#	Chip Enable
5	OE#	Chip Output Enable
6	AD[15:0]	Address Bus (16-bit)
7	DQ[31:0]	Data Bus (32-bit)
8	Vcc	Input and power source for device itself
9	GND	Ground Pin
10	NC	No Connection
11	WE#	Chip Write Enable
12	RESE#	Reset Signal
13	NC	No Connection
14	NC	No Connection
15	RFBY#	Row Buffer Refresh Enable
16	AD[15:0]	Address Bus (16-bit)
17	DQ[31:0]	Data Bus (32-bit)
18	Vcc	Input and power source for device itself
19	GND	Ground Pin
20	AD[15:0]	Address Bus (16-bit)
21	DQ[31:0]	Data Bus (32-bit)
22	Vcc	Input and power source for device itself
23	GND	Ground Pin
24	AD[15:0]	Address Bus (16-bit)
25	DQ[31:0]	Data Bus (32-bit)
26	Vcc	Input and power source for device itself
27	GND	Ground Pin
28	AD[15:0]	Address Bus (16-bit)
29	DQ[31:0]	Data Bus (32-bit)
30	Vcc	Input and power source for device itself
31	GND	Ground Pin
32	AD[15:0]	Address Bus (16-bit)
33	DQ[31:0]	Data Bus (32-bit)
34	Vcc	Input and power source for device itself
35	GND	Ground Pin
36	AD[15:0]	Address Bus (16-bit)
37	DQ[31:0]	Data Bus (32-bit)
38	Vcc	Input and power source for device itself
39	GND	Ground Pin
40	AD[15:0]	Address Bus (16-bit)
41	DQ[31:0]	Data Bus (32-bit)
42	Vcc	Input and power source for device itself
43	GND	Ground Pin
44	AD[15:0]	Address Bus (16-bit)
45	DQ[31:0]	Data Bus (32-bit)
46	Vcc	Input and power source for device itself
47	GND	Ground Pin
48	AD[15:0]	Address Bus (16-bit)

NOTICE (model)

- (J) JAPAN
- (U) U.S.A
- (C) CANADA
- (R) GENERAL
- (T) CHINA
- (K) KOREA
- (A) AUSTRALIA
- (B) BRITISH
- (G) EUROPE
- (L) SINGAPORE
- (B) SOUTH EUROPE
- (V) TAIWAN
- (P) RUSSIAN
- (M) LATIN AMERICA
- (S) BRAZIL
- (H) THAI

Details of colored lines

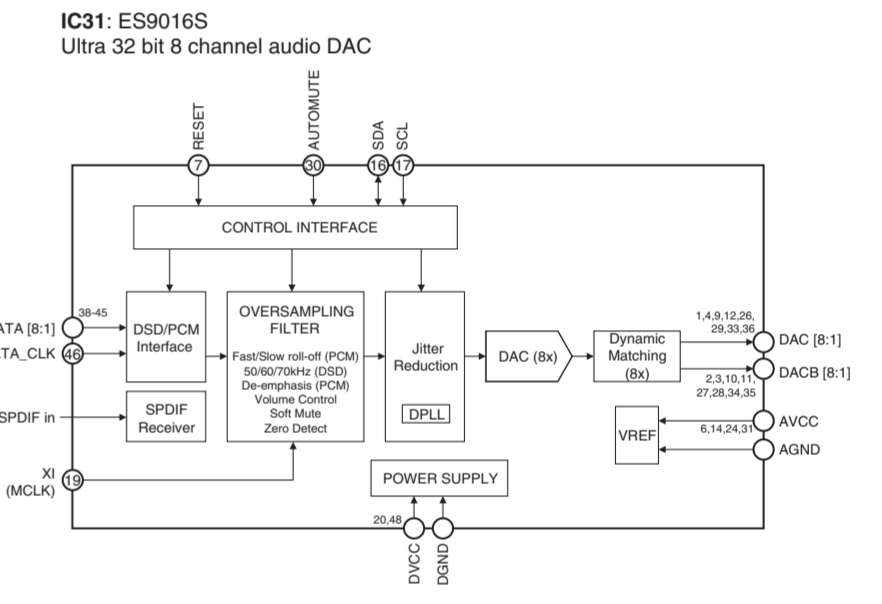
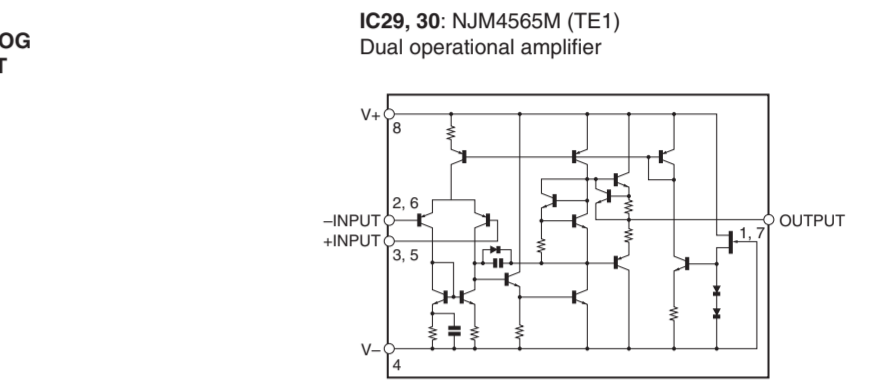
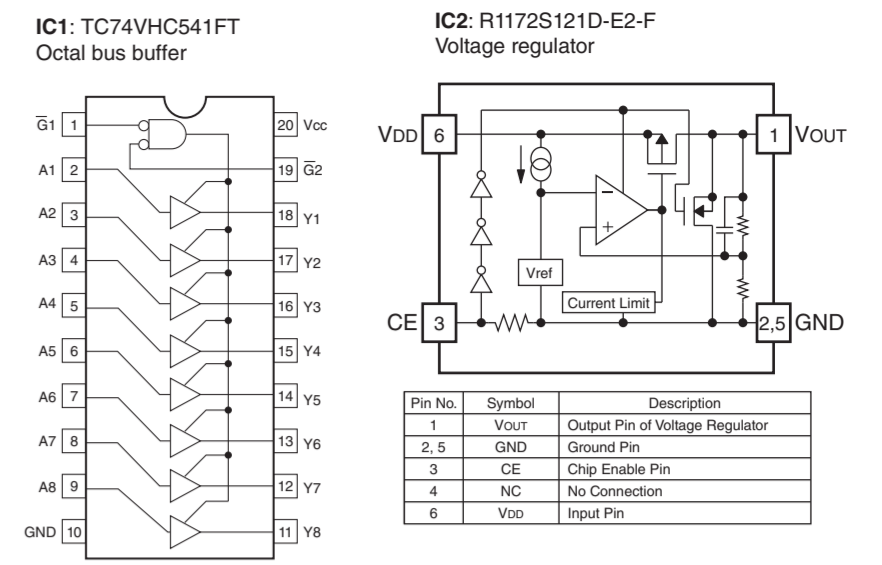
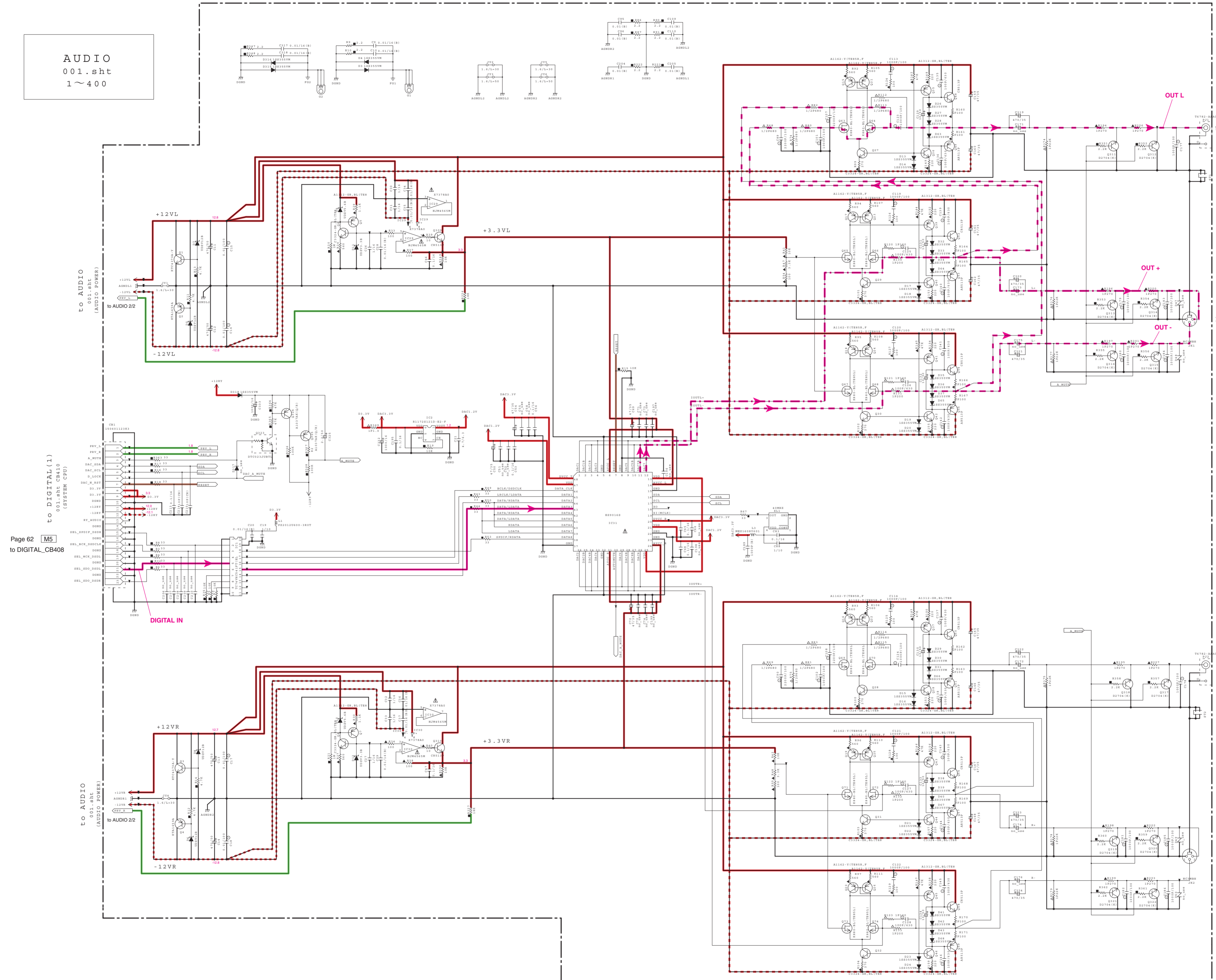
- Red / full line: Power supply (+)
- Red / dashed line: Power supply (-)
- Orange: Signal detect
- Yellow: Clock
- Green: Protection detect
- Brown: Reset signal
- Blue: Panel key input

* Components having special characteristics are marked Δ and must be replaced with parts having specifications equal to those originally installed.
* Schematic diagram is subject to change without notice.

● 本印のある部品は、安全性確保部品を示しています。部品の交換が必要な場合、パーツリストに記載されている部品を使用してください。
● 本回路図は標準回路図です。改良のため予告なく変更することがあります。

AUDIO 1/2

AUDIO
001.sht
1 ~ 400



Note:
Precaution for handling measuring instrument
Since the speaker output of this unit is BALANCED OUT connected, the ground side of the measuring instrument to be connected to the speaker terminal MUST be kept in floating condition.

注意:
計測機器取り扱いの注意
本機のスピーカー出力は BALANCED OUT接続となっておりますので、スピーカー端子に接続する計測機のアース側はフローティング状態に保つ必要があります。

NOTICE (model)
(J)..... JAPAN
(U)..... U.S.A.
(C)..... CANADA
(R)..... GENERAL
(T)..... CHINA
(K)..... KOREA
(A)..... AUSTRALIA
(B)..... BRITISH
(E)..... EUROPE
(L)..... SINGAPORE
(S)..... SOUTH EUROPE
(V)..... TAIWAN
(P)..... RUSSIAN
(D)..... LATIN AMERICA
(B)..... BRAZIL
(H)..... THAI

RESISTOR table with columns: MARKS, PARTS NAME, and a list of resistor types like CARBON FILM RESISTOR, METAL OXIDE FILM RESISTOR, etc.

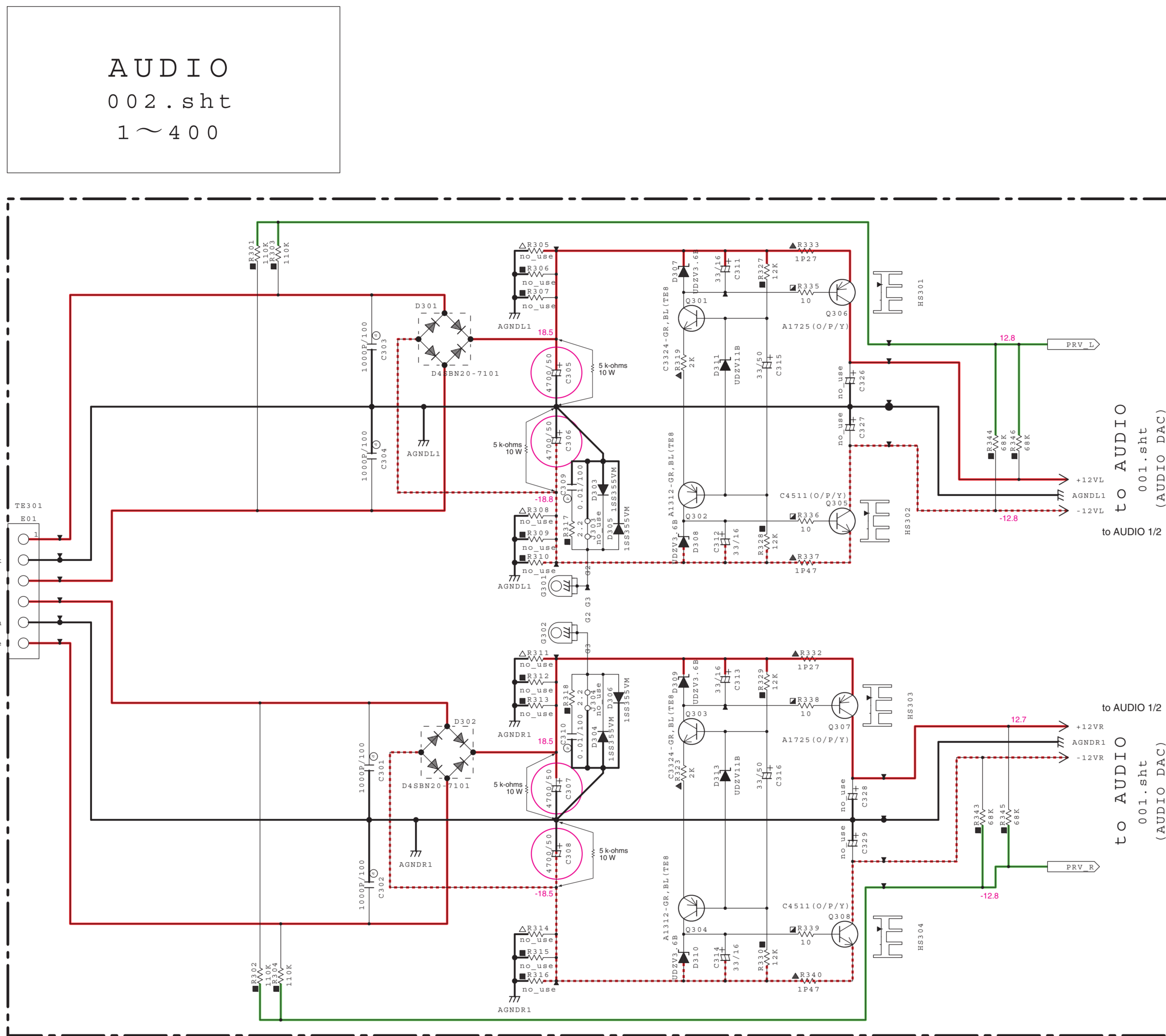
CAPACITOR table with columns: MARKS, PARTS NAME, and a list of capacitor types like ELECTROLYTIC CAPACITOR, TANTALUM CAPACITOR, etc.

Details of colored lines
Red / full line: Power supply (+)
Red / dashed line: Power supply (-)
Orange: Signal detect
Clock
Yellow: Protection detect
Brown: Reset signal
Blue: Panel key input

* All voltages are measured with a 10MΩ/V DC electronic voltmeter.
* Components having special characteristics are marked Δ, and must be replaced with parts having specifications equal to those originally installed.
* Schematic diagram is subject to change without notice.

● 電圧は、内部抵抗 10MΩの電圧計で測定したものです。
● Δ印のある部品は、安全性確保部品を示しています。部品の交換が必要な場合、パーツリストに記載されている部品を使用してください。
● 本回路図は標準回路図です。改良のため予告なく変更することがあります。

AUDIO 2/2



From ANALOG TRANS

to POWER TRANSFORMER
(for AUDIO P.C.B.)

to AUDIO
001.sht
(AUDIO DAC)

to AUDIO
001.sht
(AUDIO DAC)

Safety measures

- Some internal parts in this product contain high voltages and are dangerous. Be sure to take safety measures during servicing, such as wearing insulating gloves.
- Note that the capacitors indicated below are dangerous even after the power is turned off because an electric charge remains and a high voltage continues to exist there. Before starting any repair work, connect a discharging resistor (5 k-ohms/10 W) to the terminals of each capacitor indicated below to discharge electricity. The time required for discharging is about 30 seconds per each. C305-C308 on AUDIO P.C.B.

安全対策

- この製品の内部には高電圧部分があり危険です。修理の際は、絶縁性の手袋を使用などの安全対策を行ってください。
- 下記のコンデンサには電源をOFFにした後も電荷が残り、高電圧が維持されており危険です。修理作業前に放電用抵抗(5 kΩ/10 W)を下記の各コンデンサの端子間に接続して放電してください。放電所用時間は各々約30秒間です。

AUDIO P.C.B. の C305-C308

Details of colored lines

- Red / full line: Power supply (+)
- Red / dashed line: Power supply (-)
- Orange: Signal detect
- Yellow: Clock
- Green: Protection detect
- Brown: Reset signal
- Blue: Panel key input

- All voltages are measured with a 10MΩ DC electronic voltmeter.
- Components having special characteristics are marked Δ and must be replaced with parts having specifications equal to those originally installed.
- Schematic diagram is subject to change without notice.

NOTICE (model)

- (J)..... JAPAN
- (U)..... U.S.A
- (C)..... CANADA
- (R)..... GENERAL
- (T)..... CHINA
- (K)..... KOREA
- (A)..... AUSTRALIA
- (B)..... BRITISH
- (G)..... EUROPE
- (L)..... SINGAPORE
- (E)..... SOUTH EUROPE
- (V)..... TAIWAN
- (F)..... RUSSIAN
- (P)..... LATIN AMERICA
- (S)..... BRAZIL
- (H)..... THAI

RESISTOR

REMARKS	PARTS NAME
NO MARK	CARBON FILM RESISTOR (P=5)
□	CARBON FILM RESISTOR (P=10)
△	METAL OXIDE FILM RESISTOR
▲	METAL FILM RESISTOR
⊠	METAL PLATE RESISTOR
■	FIRE PROOF CARBON FILM RESISTOR
□	CEMENT MOLDED RESISTOR
⊗	SEMI VARIABLE RESISTOR
■	CHIP RESISTOR

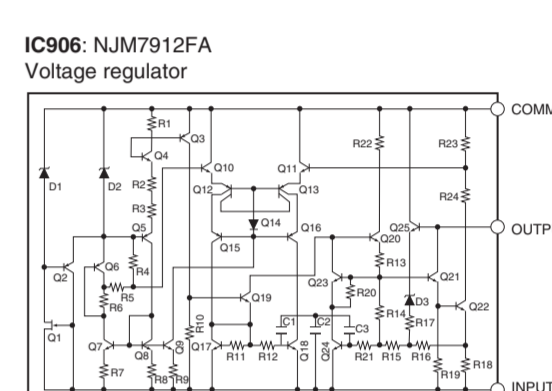
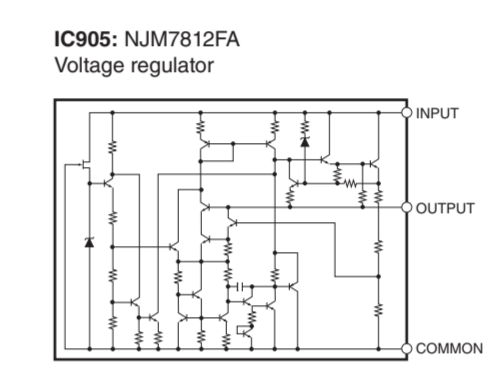
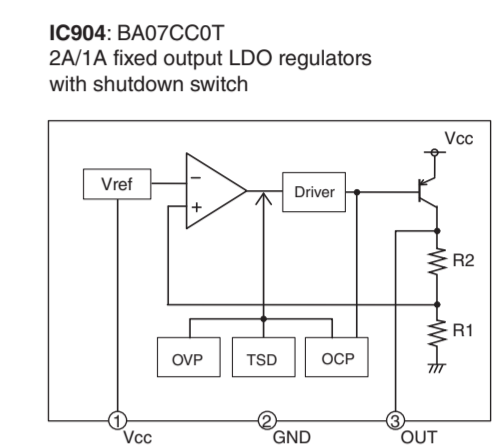
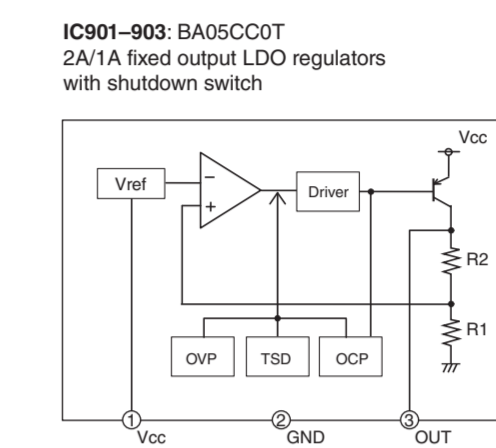
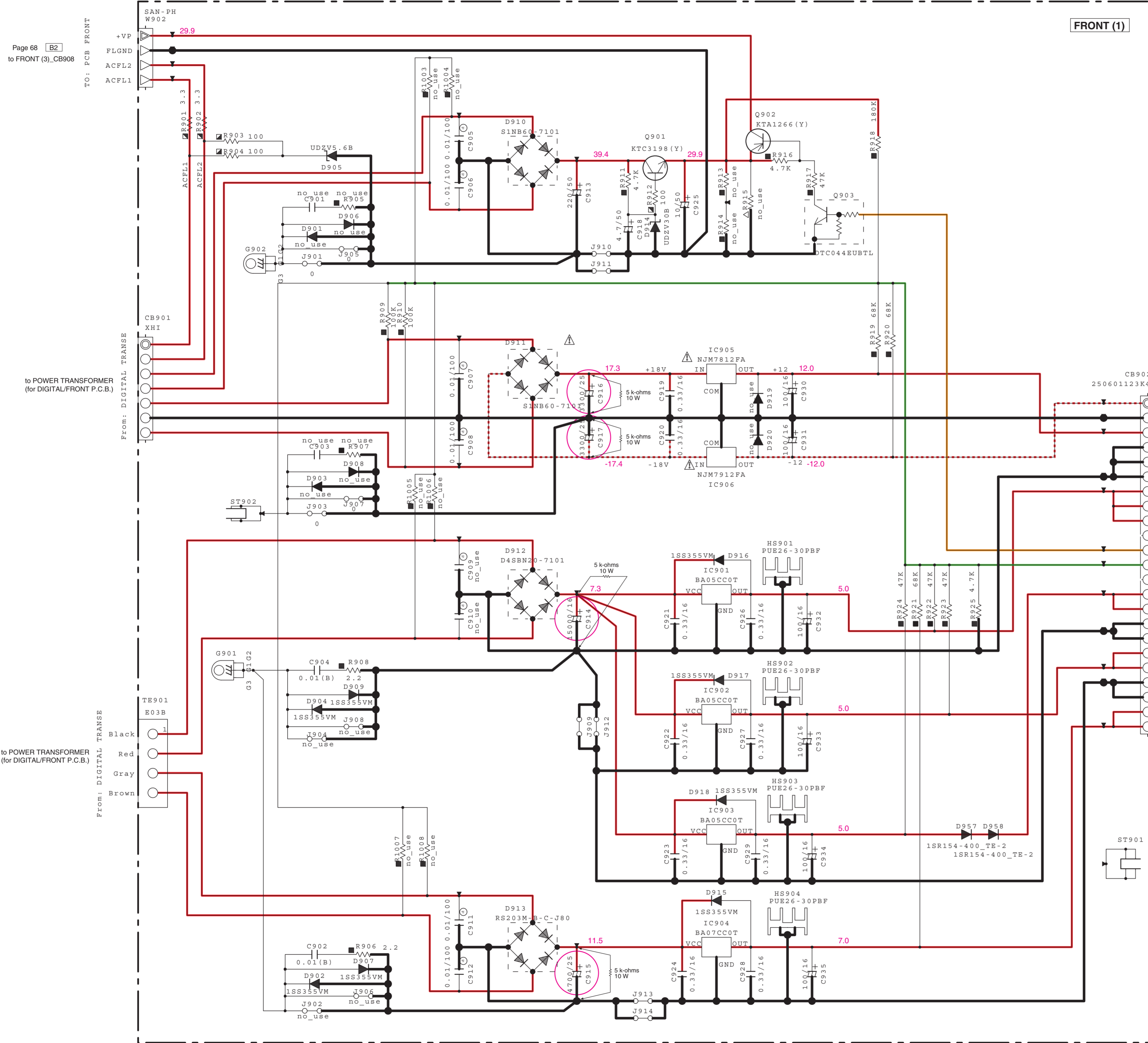
CAPACITOR

REMARKS	PARTS NAME
NO MARK	ELECTROLYTIC CAPACITOR
⊗	TANTALUM CAPACITOR
NO MARK	CERAMIC CAPACITOR
●	CERAMIC TUBULAR CAPACITOR
◎	POLYESTER FILM CAPACITOR
○	POLYSTYRENE FILM CAPACITOR
⊖	MICA CAPACITOR
⊕	POLYPROPYLENE FILM CAPACITOR
⊙	SEMICONDUCTIVE CERAMIC CAPACITOR
⊚	POLYPHENYLENE SULFIDE FILM CAPACITOR

- 電圧は、内部抵抗 10MΩの電圧計で測定したものです。
- ▲印のある部品は、安全性確保部品を示しています。部品の交換が必要な場合、パーツリストに記載されている部品を使用してください。
- 本回路図は標準回路図です。改良のため予告なく変更することがあります。

FRONT (1)

FRONT
901~1008
FRONT (1)



TO: PDB DIGITAL

NOTICE (model)

(J)..... JAPAN
(U)..... U.S.A
(C)..... CANADA
(R)..... GENERAL
(F)..... CHINA
(K)..... KOREA
(A)..... AUSTRALIA
(B)..... BRITISH
(G)..... EUROPE
(L)..... SINGAPORE
(E)..... SOUTH EUROPE
(V)..... TAIWAN
(P)..... RUSSIAN
(S)..... LATIN AMERICA
(H)..... THAI

REMARKS	PARTS NAME
NO MARK	CARBON FILM RESISTOR (P=5)
⊠	CARBON FILM RESISTOR (P=10)
△	METAL OXIDE FILM RESISTOR
▲	METAL FILM RESISTOR
▴	METAL PLATE RESISTOR
⊞	FIRE PROOF CARBON FILM RESISTOR
⊞	CEMENT MOLDED RESISTOR
⊞	SEMI VARIABLE RESISTOR
■	CHIP RESISTOR

REMARKS	PARTS NAME
NO MARK	ELECTROLYTIC CAPACITOR
⊗	TANTALUM CAPACITOR
NO MARK	CERAMIC CAPACITOR
⊙	CERAMIC TUBULAR CAPACITOR
⊙	POLYESTER FILM CAPACITOR
○	POLYSTYRENE FILM CAPACITOR
⊙	MICA CAPACITOR
⊙	POLYPROPYLENE FILM CAPACITOR
⊙	SEMICONDUCTIVE CERAMIC CAPACITOR

Details of colored lines

- Red / full line: Power supply (+)
- Red / dashed line: Power supply (-)
- Orange: Signal detect
- Yellow: Clock
- Green: Protection detect
- Brown: Reset signal
- Blue: Panel key input

Safety measures

Some internal parts in this product contain high voltages and are dangerous. Be sure to take safety measures during servicing, such as wearing insulating gloves.
 Note that the capacitors indicated below are dangerous even after the power is turned off because an electric charge remains and a high voltage continues to exist there.
 Before starting any repair work, connect a discharging resistor (5 k-ohms/10 W) to the terminals of each capacitor indicated below to discharge electricity.
 The time required for discharging is about 30 seconds per each.
 C914-C917 on FRONT (1) P.C.B.

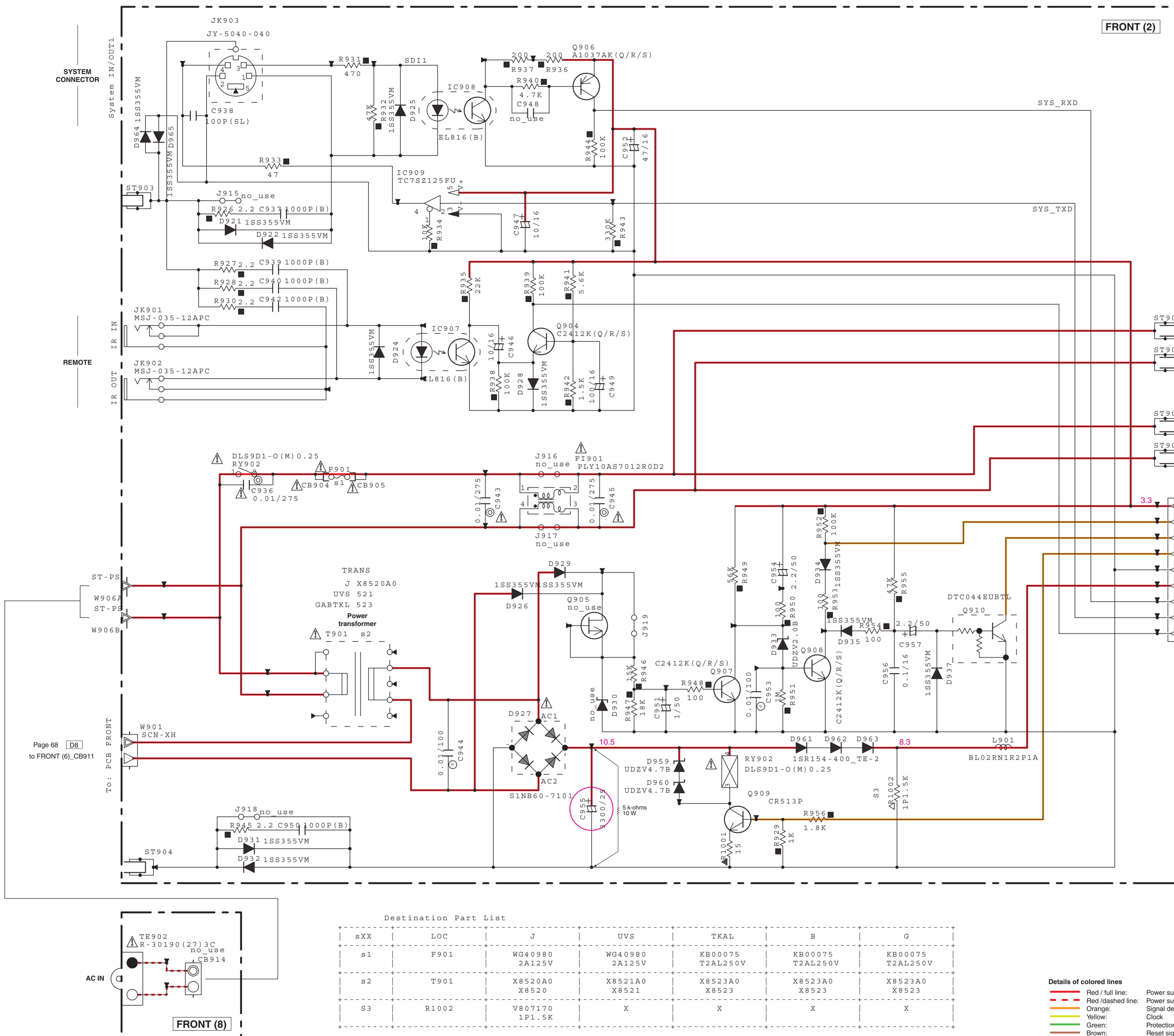
安全対策

この製品の内部には高電圧部分があり危険です。修理の際は、絶縁性の手袋を使用するなどの安全対策を行ってください。
 下記のコンデンサには電源を OFF にした後も電荷が残り、高電圧が維持されており危険です。修理作業前に放電用抵抗 (5 kΩ/10 W) を下記の各コンデンサの端子間に接続して放電してください。放電所用時間は各々約 30 秒間です。
 FRONT (1) P.C.B. の C914-C917

All voltages are measured with a 10MΩ/V DC electronic voltmeter.
 Components having special characteristics are marked Δ and must be replaced with parts having specifications equal to those originally installed.
 Schematic diagram is subject to change without notice.

電圧は、内部抵抗 10MΩ の電圧計で測定したものです。
 △印のある部品は、安全性確保部品を示しています。部品の交換が必要な場合、パーツリストに記載されている部品を使用してください。
 本回路図は標準回路図です。改良のため予告なく変更することがあります。

FRONT 2/3

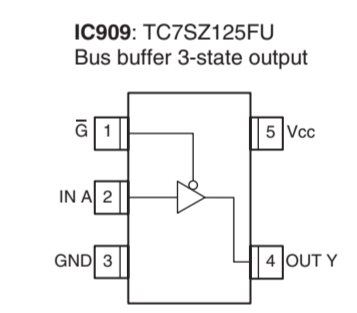


FRONT
901~1002
FRONT (2)

To: ANALOG TRANCE
Blue
Brown
Red
Gray

To: DIGITAL TRANCE
+3.3M
PWR_DET
N_RES
RY_PWR
MGND
+9SUB
SYS_RXD
SYS_TXD
REM_REAR
SAN-PH

Page 61 M5
to DIGITAL_CB406



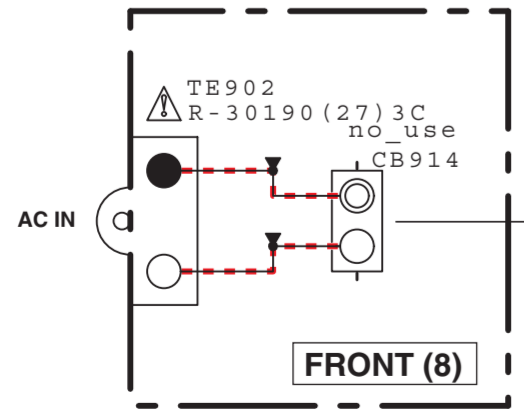
REMARKS	PARTS NAME
NO MARK	CARBON FILM RESISTOR (P=5)
□	CARBON FILM RESISTOR (P=10)
△	METAL OXIDE FILM RESISTOR
▲	METAL FILM RESISTOR
⊠	METAL PLATE RESISTOR
■	FIRE PROOF CARBON FILM RESISTOR
⊞	CEMENT MOLDED RESISTOR
⊚	SEMI VARIABLE RESISTOR
■	CHIP RESISTOR

NOTICE (model)
(J)..... JAPAN
(U)..... U.S.A
(C)..... CANADA
(R)..... GENERAL
(T)..... CHINA
(K)..... KOREA
(A)..... AUSTRALIA
(B)..... BRITISH
(G)..... EUROPE
(L)..... SINGAPORE
(E)..... SOUTH EUROPE
(V)..... TAIWAN
(F)..... RUSSIAN
(P)..... LATIN AMERICA
(S)..... BRAZIL
(H)..... THAI

REMARKS	PARTS NAME
NO MARK	ELECTROLYTIC CAPACITOR
⊗	TANTALUM CAPACITOR
NO MARK	CERAMIC CAPACITOR
⊙	CERAMIC TUBULAR CAPACITOR
⊚	POLYESTER FILM CAPACITOR
○	POLYSTYRENE FILM CAPACITOR
⊖	MICA CAPACITOR
⊙	POLYPROPYLENE FILM CAPACITOR
⊚	SEMICONDUCTIVE CERAMIC CAPACITOR

Details of colored lines
Red / full line: Power supply (+)
Red / dashed line: Power supply (-)
Orange: Signal detect
Yellow: Clock
Green: Protection detect
Brown: Reset signal
Blue: Panel key input

Destination Part List						
sXX	LOC	J	UVS	TKAL	B	G
s1	F901	WG40980 2A125V	WG40980 2A125V	KB00075 T2AL250V	KB00075 T2AL250V	KB00075 T2AL250V
s2	T901	X8520A0 X8520	X8521A0 X8521	X8523A0 X8523	X8523A0 X8523	X8523A0 X8523
s3	R1002	V807170 1P1.5K	X	X	X	X



Safety measures
• Some internal parts in this product contain high voltages and are dangerous. Be sure to take safety measures during servicing, such as wearing insulating gloves.
• Note that the capacitors indicated below are dangerous even after the power is turned off because an electric charge remains and a high voltage continues to exist there. Before starting any repair work, connect a discharging resistor (5 k-ohms/10W) to the terminals of each capacitor indicated below to discharge electricity. The time required for discharging is about 30 seconds per each.
C955 on FRONT (2) P.C.B.

安全対策
• この製品の内部には高電圧部分があり危険です。修理の際は、絶縁性の手袋を使用するなどの安全対策を行ってください。
• 下記のコンデンサには電源を OFF にした後も電荷が残り、高電圧が維持されており危険です。修理作業前に放電用抵抗 (5 kΩ/10 W) を下記の各コンデンサの端子間に接続して放電してください。放電所要時間は各々約 30 秒間です。
FRONT (2) P.C.B. の C955

* All voltages are measured with a 10MΩ DC electronic voltmeter.
* Components having special characteristics are marked Δ and must be replaced with parts having specifications equal to those originally installed.
* Schematic diagram is subject to change without notice.

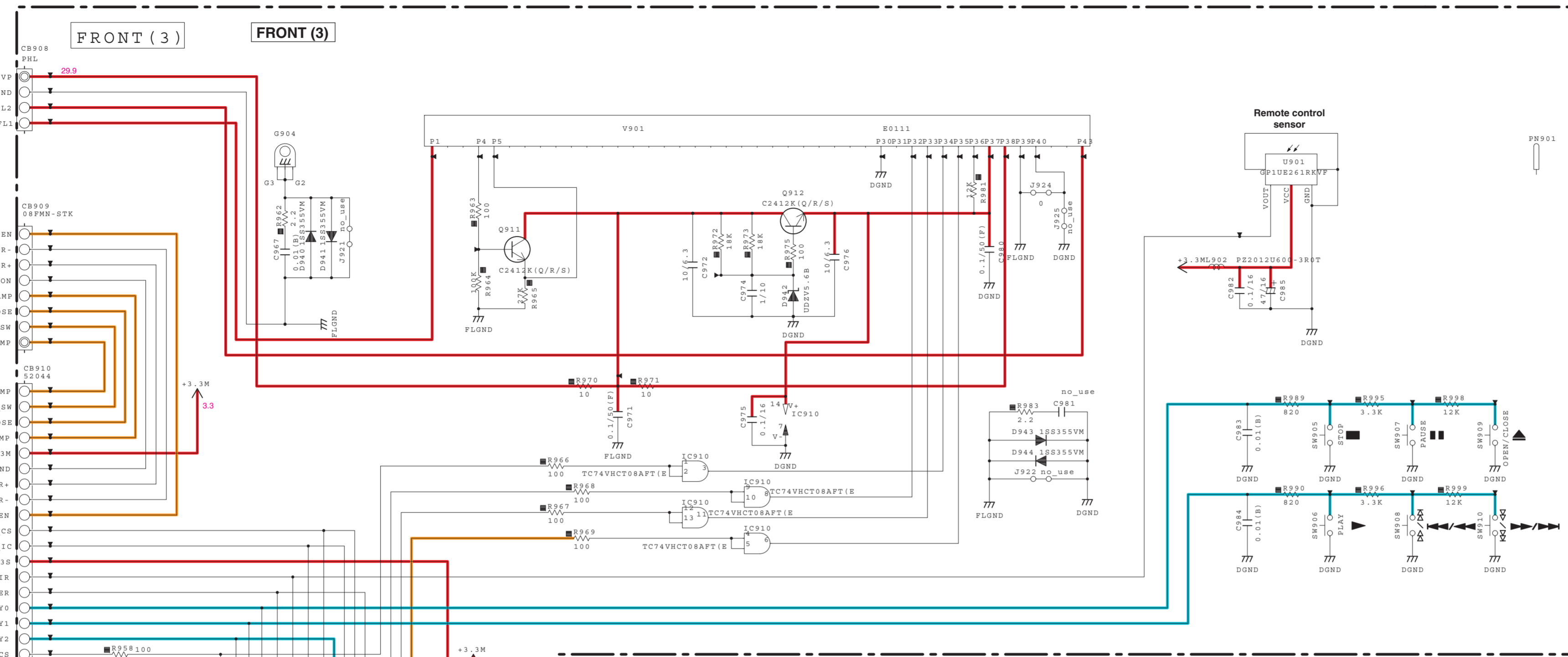
● 電圧は、内部抵抗 10MΩ の電圧計で測定したものです。
● Δ印のある部品は、安全性確保部品を示しています。部品の交換が必要な場合、パーツリストに記載されている部品を使用してください。
● 本回路図は標準回路図です。改良のため予告なく変更することがあります。

Page 66 **B2**
to FRONT (1)_W902

Page 61 **M4**
to DIGITAL_CB405

TO: ZORAN MODULE

TO: PCB DIGITAL

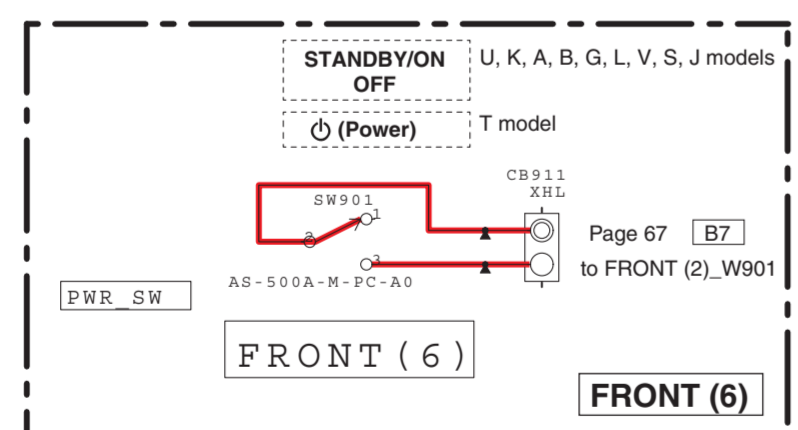
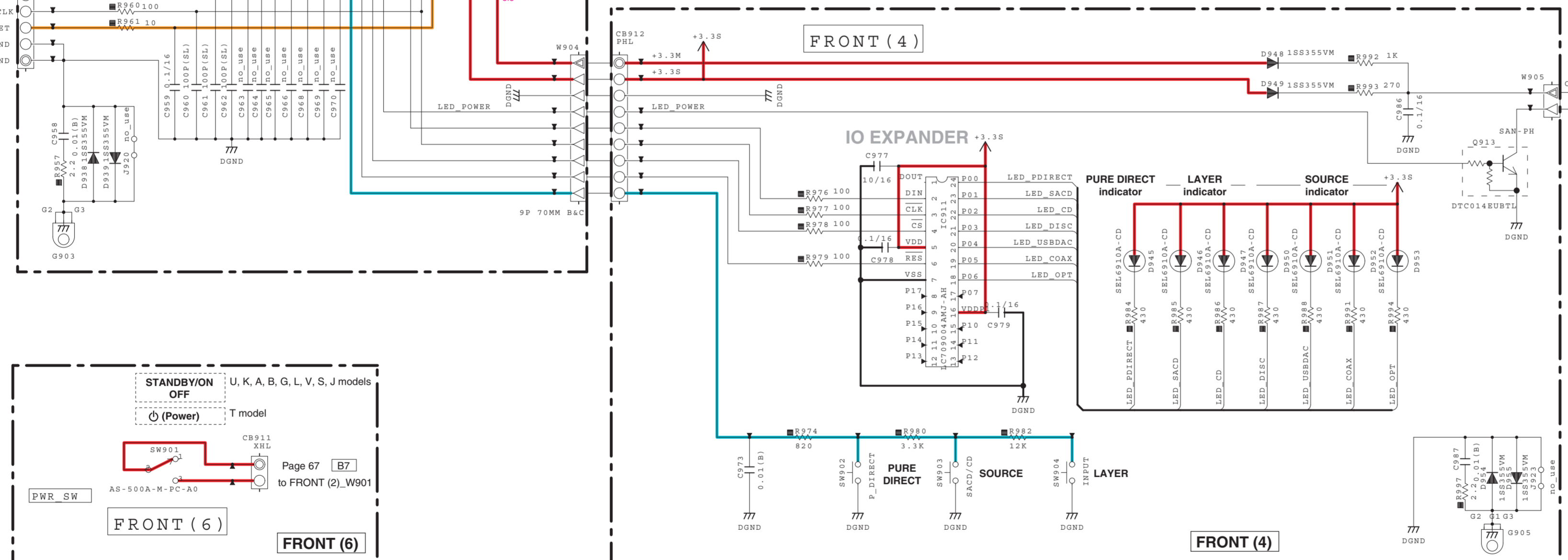


FRONT
901 ~ 1000
FRONT (3)
FRONT (4)
FRONT (5)
FRONT (6)

Detected voltage value at 86 pin	+820 Ω	+3.3k Ω	+12.0k Ω
KEY0	0-0.3V	0.6-1.0V	1.6-2.0V
KEY1	(STOP)	(PAUSE)	(OPEN/CLOSE)

Detected voltage value at 85 pin	+820 Ω	+3.3k Ω	+12.0k Ω
KEY2	0-0.3V	0.6-1.0V	1.6-2.0V
KEY3	(PLAY)	(SEARCH+SKIP+)	(SEARCH-SKIP-)

Detected voltage value at 84 pin	+820 Ω	+3.3k Ω	+12.0k Ω
KEY4	0-0.3V	0.6-1.0V	1.6-2.0V
KEY5	PURE DIRECT	SOURCE	LAYER



NOTICE (model)

(J)..... JAPAN
(U)..... U.S.A
(C)..... CANADA
(R)..... GENERAL
(T)..... CHINA
(K)..... KOREA
(A)..... AUSTRALIA
(B)..... BRITISH
(G)..... EUROPE
(L)..... SINGAPORE
(E)..... SOUTH EUROPE
(V)..... TAIWAN
(F)..... RUSSIAN
(P)..... LATIN AMERICA
(S)..... BRAZIL
(H)..... THAI

RESISTOR

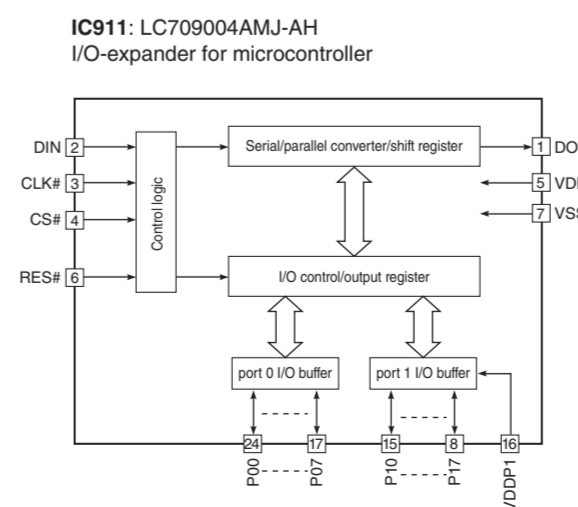
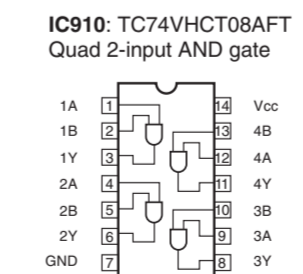
REMARKS	PARTS NAME
NO MARK	CARBON FILM RESISTOR (P=5)
□	CARBON FILM RESISTOR (P=10)
△	METAL OXIDE FILM RESISTOR
▲	METAL FILM RESISTOR
▣	METAL PLATE RESISTOR
⊠	FIRE PROOF CARBON FILM RESISTOR
□	CEMENT MOLDED RESISTOR
⊕	SEMI VARIABLE RESISTOR
■	CHIP RESISTOR

CAPACITOR

REMARKS	PARTS NAME
NO MARK	ELECTROLYTIC CAPACITOR
⊗	TANTALUM CAPACITOR
NO MARK	CERAMIC CAPACITOR
⊙	CERAMIC TUBULAR CAPACITOR
⊖	POLYESTER FILM CAPACITOR
○	POLYSTYRENE FILM CAPACITOR
⊕	MICA CAPACITOR
⊖	POLYPROPYLENE FILM CAPACITOR
⊖	SEMICONDUCTIVE CERAMIC CAPACITOR

Details of colored lines

- Red / full line: Power supply (+)
- Red / dashed line: Power supply (-)
- Orange: Signal detect
- Yellow: Clock
- Green: Protection detect
- Brown: Reset signal
- Blue: Panel key input



* All voltages are measured with a 10MΩ/V DC electronic voltmeter.
* Components having special characteristics are marked A, and must be replaced with parts having specifications equal to those originally installed.
* Schematic diagram is subject to change without notice.

● 電圧は、内部抵抗 10MΩの電圧計で測定したものです。
● △印のある部品は、安全性確保部品を示しています。部品の交換が必要な場合、パーツリストに記載されている部品を使用してください。
● 本回路図は標準回路図です。改良のため予告なく変更することがあります。

■ REPLACEMENT PARTS LIST

● ELECTRICAL COMPONENT PARTS

WARNING

- Components having special characteristics are marked Δ and must be replaced with parts having specifications equal to those originally installed.
- Δ 印のある部分は、安全確保部品を示しています。部品の交換が必要な場合、パーツリストに記載されている部品を使用してください。

ABBREVIATIONS IN THIS LIST ARE AS FOLLOWS:

C.A.EL.CHP	: CHIP ALUMI.ELECTROLYTIC CAP	LED.CHP	: CHIP LED
C.CE	: CERAMIC CAP	LED.DSPLY	: LED DISPLAY
C.CE.ARRAY	: CERAMIC CAP ARRAY	LED.INFRD	: LED,INFRARED
C.CE.CHP	: CHIP CERAMIC CAP	PHOT.CPL	: PHOTO COUPLER
C.CE.M.CHP	: CHIP MULTILAYER CERAMIC CAP	PHOT.INTR	: PHOTO INTERRUPTER
C.CE.SAFTY	: RECOGNIZED CERAMIC CAP	PHOT.RFLCT	: PHOTO REFLECTOR
C.CE.TUBLR	: CERAMIC TUBULAR CAP	PHOT.TR	: PHOTO TRANSISTOR
C.CE.SMI	: SEMI CONDUCTIVE CERAMIC CAP	PIN.TEST	: PIN,TEST POINT
C.EL	: ELECTROLYTIC CAP	PTC.THERM	: POSITIVE TEMPERATURE COEFFICIENT THERMISTOR
C.EL.BP	: BIPOLAR ELECTROLYTIC CAP	R.ANTI.SURGE	: FIXED ANTI SURGE RESISTOR
C.EL.CHP	: CHIP ELECTROLYTIC CAP	R.ARRAY	: RESISTOR ARRAY
C.MICA	: MICA CAP	R.CAR.	: CARBON RESISTOR
C.ML.FLM	: MULTILAYER FILM CAP	R.CAR.CHP	: CHIP RESISTOR
C.MP	: METALLIZED POLYESTER FILM CAP	R.CAR.FP	: FLAME PROOF CARBON RESISTOR
C.MYLAR	: MYLAR FILM CAP	R.CEMENT	: CEMENT RESISTOR
C.MYLAR.ML	: MULTILAYER MYLAR FILM CAP	R.CHP	: CHIP RESISTOR
C.NIOB.OXD	: NIOBIUM OXIDE CAP	R.FUS	: FUSIBLE RESISTOR
C.PAPER	: PAPER CAPACITOR	R.MTL.CHP	: CHIP METAL FILM RESISTOR
C.PLS	: POLYSTYRENE FILM CAP	R.MTL.FLM	: METAL FILM RESISTOR
C.POL	: POLYESTER FILM CAP	R.MTL.OXD	: METAL OXIDE FILM RESISTOR
C.PP	: POLYPROPYLENE FILM CAP	R.MTL.PLAT	: METAL PLATE RESISTOR
C.PP.CHP	: CHIP POLYPROPYLENE FILM CAP	RSNR.CE	: CERAMIC RESONATOR
C.TNTL	: TANTALIUM CAP	RSNR.CRYS	: CRYSTAL RESONATOR
C.TNTL.CHP	: CHIP TANTALIUM CAP	SCR.BND.HD	: BIND HEAD B-TIGHT SCREW
C.TRIM	: TRIMMER CAP	SCR.TERM	: SCREW TERMINAL
CN	: CONNECTOR	SCR.TR	: SCREW,TRANSISTOR
CN.BS.PIN	: CONNECTOR,BASE PIN	SURG.PRTCT	: SURGE PROTECTOR
CN.CANNON	: CONNECTOR,CANNON	SUPRT.PCB	: P.C.B. SUPPORT
CN.DIN	: CONNECTOR,DIN	SW.LEVER	: LEVER SWITCH
CN.FLAT	: CONNECTOR,FLAT CABLE	SW.MICRO	: MICRO SWITCH
CN.FFC	: CONNECTOR,FLEXIBLE FLAT CABLE	SW.LEAF	: LEAF SWITCH
CN.HDMI	: HDMI CONNECTOR	SW.PUSH	: PUSH SWITCH
CN.PHOTO.R	: PHOTO FIBER SENSOR,RECEIVED	SW.RT	: ROTARY SWITCH
CN.PHOTO.T	: PHOTO FIBER SENSOR,TRANSMITTED	SW.RT.ENC	: ROTARY ENCODER
D.SCHOTTKY	: SCHOTTKY BARRIER DIODE	SW.RT.MTR	: ROTARY SWITCH WITH MOTOR
DIODE.ARRAY	: DIODE ARRAY	SW.SLIDE	: SLIDE SWITCH
DIODE.BRG	: DIODE BRIDGE	SW.TACT	: TACT SWITCH
DIODE.CHP	: CHIP DIODE	TERM.SP	: SPEAKER TERMINAL
DIODE.VAR	: VARACTOR DIODE	TERM.WRAP	: WRAPPING TERMINAL
DIODE.ZENR	: ZENER DIODE	THRMST.CHP	: CHIP THERMISTOR
DIODE.Z.CHP	: CHIP ZENER DIODE	TR	: TRANSISTOR
DIODE.PHOT	: PHOTO DIODE	TR.CHP	: CHIP TRANSISTOR
FER.BEAD	: FERRITE BEADS	TR.DGT	: DIGITAL TRANSISTOR
FER.CORE	: FERRITE CORE	TR.DGT.CHP	: CHIP DIGITAL TRANSISTOR
FET.CHP	: CHIP FET	TR.PAIR	: PAIR TRANSISTOR
FL.DSPLY	: FLUORESCENT DISPLAY	TRANS	: TRANSFORMER
FLTR.CE	: CERAMIC FILTER	TRANS.PULS	: PULSE TRANSFORMER
FLTR.COMB	: COMB FILTER MODULE	TRANS.PWR	: POWER TRANSFORMER
FLTR.LC.RF	: LC FILTER,EMI	VARISTOR.C	: CHIP VARISTOR
FUSE.CHP	: CHIP FUSE	VOLT.SELCT	: VOLTAGE SELECTOR
GND.MTL	: GROUND PLATE	VR	: ROTARY POTENTIOMETER
GND.TERM	: GROUND TERMINAL	VR.MTR	: POTENTIOMETER WITH MOTOR
JUMPER.CN	: JUMPER CONNECTOR	VR.SLIDE	: SLIDE POTENTIOMETER
JUMPER.TST	: JUMPER,TEST POINT	VR.SW	: POTENTIOMETER WITH SWITCH
L.DTCT	: LIGHT DETECTING MODULE	VR.TRIM	: TRIMMER POTENTIOMETER

DIGITAL

CD-S2100

Ref No.	Part No.	Description	Remarks	Markets	部 品 名
*	ZK183300	P. C. B.	DIGITAL		J PCB DIGITAL
*	ZK183400	P. C. B.	DIGITAL		UTKALVS PCB DIGITAL
*	ZK183500	P. C. B.	DIGITAL		B PCB DIGITAL
*	ZK183600	P. C. B.	DIGITAL		G PCB DIGITAL
CB402	WK469100	CN. FMN	FMN 29P TE		FMNコネクター
CB403	VQ047200	CN. BS. PIN	9P		コネクター
CB404	VB389800	CN. BS. PIN	2P		コネクター
CB405	VM689000	CN. BS. PIN	23P		コネクター
CB406	VB390500	CN. BS. PIN	9P		コネクター
CB407	V6313300	CN. BS. PIN	17P TE		FMNコネクター
CB410	WV304400	SOCKET	23P 506SMT		506ソケットSMT
C401	US035100	C. CE. CHP	0. 1uF 16V B		チップセラコン
C402	UU238100	C. EL	100uF 16V		ケミコン
C403	US035100	C. CE. CHP	0. 1uF 16V B		チップセラコン
C404	US064100	C. CE. CHP	0. 01uF 50V B		チップセラコン
C405	US035100	C. CE. CHP	0. 1uF 16V B		チップセラコン
C407	US035100	C. CE. CHP	0. 1uF 16V B		チップセラコン
C408	UU238100	C. EL	100uF 16V		ケミコン
C410	US126100	C. CE. CHP	1uF 10V		チップセラコン
C411	US064100	C. CE. CHP	0. 01uF 50V B		チップセラコン
C412-413	US061100	C. CE. CHP	10pF 50V B		チップセラコン
C414	US063100	C. CE. CHP	1000pF 50V B		チップセラコン
C416-418	US035100	C. CE. CHP	0. 1uF 16V B		チップセラコン
C419	US064100	C. CE. CHP	0. 01uF 50V B		チップセラコン
C420	US035100	C. CE. CHP	0. 1uF 16V B		チップセラコン
C421	US064100	C. CE. CHP	0. 01uF 50V B		チップセラコン
C422	US035100	C. CE. CHP	0. 1uF 16V B		チップセラコン
C423	US064100	C. CE. CHP	0. 01uF 50V B		チップセラコン
C427-435	US035100	C. CE. CHP	0. 1uF 16V B		チップセラコン
C436	US061100	C. CE. CHP	10pF 50V B		チップセラコン
C437-439	US035100	C. CE. CHP	0. 1uF 16V B		チップセラコン
C440-442	US135100	C. CE. CHP	0. 1uF 16V		チップセラコン
C443	UU237470	C. EL	47uF 16V		ケミコン
C444	WG251600	C. CE. CHP	4. 7uF 6. 3V		チップセラコン
C445	US135100	C. CE. CHP	0. 1uF 16V		チップセラコン
C446	UU267100	C. EL	10uF 50V		ケミコン
C447	US135100	C. CE. CHP	0. 1uF 16V		チップセラコン
C448	US046100	C. CE. CHP	1uF 25V		チップセラコン
C449	US135100	C. CE. CHP	0. 1uF 16V		チップセラコン
C450	UR238100	C. EL	100uF 16V	JUTKALVS	ケミコン
C450	UU238100	C. EL	100uF 16V	BG	ケミコン
C451	US035100	C. CE. CHP	0. 1uF 16V B		チップセラコン
C452	UU267100	C. EL	10uF 50V		ケミコン
C453	US035100	C. CE. CHP	0. 1uF 16V B		チップセラコン
C454-456	US061100	C. CE. CHP	10pF 50V B		チップセラコン
C458-459	US035100	C. CE. CHP	0. 1uF 16V B		チップセラコン
C460	UU267100	C. EL	10uF 50V	JUTKALVS	ケミコン
C460	UU237100	C. EL	10uF 16V	BG	ケミコン
C461	US035100	C. CE. CHP	0. 1uF 16V B		チップセラコン
C462	WC666800	C. CE. CHP	1uF 16V		チップセラコン
C463	US035100	C. CE. CHP	0. 1uF 16V B		チップセラコン
C464	US064100	C. CE. CHP	0. 01uF 50V B		チップセラコン
C465	US035100	C. CE. CHP	0. 1uF 16V B		チップセラコン
C466	US064100	C. CE. CHP	0. 01uF 50V B		チップセラコン
C467-468	US062100	C. CE. CHP	100pF 50V B		チップセラコン
C469	US035100	C. CE. CHP	0. 1uF 16V B		チップセラコン
C470	US061100	C. CE. CHP	10pF 50V B		チップセラコン

* New Parts / 新規部品

DIGITAL

Ref No.	Part No.	Description	Remarks	Markets	部 品 名
C471	US064100	C. GE. CHP	0. 01uF	50V B	チップセラコン
C472	US035100	C. GE. CHP	0. 1uF	16V B	チップセラコン
C474	WC666800	C. GE. CHP	1uF	16V	チップセラコン
* C476-477	VN510900	C. EL. BP	3. 3uF	50V BP	バイポーラケミコン
C478	US061100	C. GE. CHP	10pF	50V B	チップセラコン
C480	US035100	C. GE. CHP	0. 1uF	16V B	チップセラコン
C481	US064100	C. GE. CHP	0. 01uF	50V B	チップセラコン
C482	US035100	C. GE. CHP	0. 1uF	16V B	チップセラコン
* C483-484	VN510700	C. EL. BP	1uF	50V BP	バイポーラケミコン
C485-487	US035100	C. GE. CHP	0. 1uF	16V B	チップセラコン
C488-489	US062100	C. GE. CHP	100pF	50V B	チップセラコン
C490	US064100	C. GE. CHP	0. 01uF	50V B	チップセラコン
C491	UU237470	C. EL	47uF	16V	ケミコン
C492	US062100	C. GE. CHP	100pF	50V B	チップセラコン
C493-494	UR238100	C. EL	100uF	16V	ケミコン
C495-496	US035100	C. GE. CHP	0. 1uF	16V B	チップセラコン
C497	US135100	C. GE. CHP	0. 1uF	16V	チップセラコン
C498	US062100	C. GE. CHP	100pF	50V B	チップセラコン
C499-502	US135100	C. GE. CHP	0. 1uF	16V	チップセラコン
C503	US064100	C. GE. CHP	0. 01uF	50V B	チップセラコン
C504	UU237100	C. EL	10uF	16V	ケミコン
C505	US064100	C. GE. CHP	0. 01uF	50V B	チップセラコン
C507	US064100	C. GE. CHP	0. 01uF	50V B	チップセラコン
C509-510	US035100	C. GE. CHP	0. 1uF	16V B	チップセラコン
C511	UU237100	C. EL	10uF	16V	ケミコン
C512	US135100	C. GE. CHP	0. 1uF	16V	チップセラコン
C513	UR237330	C. EL	33uF	16V	ケミコン
C514-515	WP882000	C. GE. CHP	10uF	6. 3V	チップセラコン
C516	US035100	C. GE. CHP	0. 1uF	16V B	チップセラコン
C517-520	WP882000	C. GE. CHP	10uF	6. 3V	チップセラコン
C521	UU238100	C. EL	100uF	16V	ケミコン
C522	US062470	C. GE. CHP	470pF	50V B	チップセラコン
C523	US060900	C. GE. CHP	9pF	50V D	チップセラコン
C524	WG888300	C. GE. M. CHP	10uF	6. 3V	チップ積層セラコン
C525	US060800	C. GE. CHP	8pF	50V B	チップセラコン
C526	US135100	C. GE. CHP	0. 1uF	16V	チップセラコン
C527-528	US061120	C. GE. CHP	12pF	50V B	チップセラコン
C529	WP882000	C. GE. CHP	10uF	6. 3V	チップセラコン
C530	US126100	C. GE. CHP	1uF	10V	チップセラコン
C531	WP882000	C. GE. CHP	10uF	6. 3V	チップセラコン
C532-533	US135100	C. GE. CHP	0. 1uF	16V	チップセラコン
C534	WP882000	C. GE. CHP	10uF	6. 3V	チップセラコン
C535	US135100	C. GE. CHP	0. 1uF	16V	チップセラコン
C537	US135100	C. GE. CHP	0. 1uF	16V	チップセラコン
C538	US061100	C. GE. CHP	10pF	50V B	チップセラコン
C539	WG888300	C. GE. M. CHP	10uF	6. 3V	チップ積層セラコン
C540	US064100	C. GE. CHP	0. 01uF	50V B	チップセラコン
C541-543	US135100	C. GE. CHP	0. 1uF	16V	チップセラコン
C544	US061100	C. GE. CHP	10pF	50V B	チップセラコン
C545	WG888300	C. GE. M. CHP	10uF	6. 3V	チップ積層セラコン
C546	US135100	C. GE. CHP	0. 1uF	16V	チップセラコン
C550	US135100	C. GE. CHP	0. 1uF	16V	チップセラコン
C551	UB214680	C. GE. CHP	0. 068uF	25V	チップセラコン
C552	US135100	C. GE. CHP	0. 1uF	16V	チップセラコン
C555-556	US063470	C. GE. CHP	4700pF	50V B	チップセラコン
C571-572	US063100	C. GE. CHP	1000pF	50V B	チップセラコン
C580	UR237330	C. EL	33uF	16V	ケミコン

* New Parts / 新規部品

DIGITAL

Ref No.	Part No.	Description	Remarks	Markets	部 品 名	
C581	UR238100	C. EL	100uF 16V		JUTKALVS	ケミコン
C581	UU238100	C. EL	100uF 16V		BG	ケミコン
C582	US063100	C. CE. CHP	1000pF 50V B			チップセラコン
C583	US064100	C. CE. CHP	0.01uF 50V B			チップセラコン
C588-591	WG251600	C. CE. CHP	4.7uF 6.3V			チップセラコン
C624	US062100	C. CE. CHP	100pF 50V B			チップセラコン
C625	US135100	C. CE. CHP	0.1uF 16V			チップセラコン
C626	US063100	C. CE. CHP	1000pF 50V B			チップセラコン
C627	WP882000	C. CE. CHP	10uF 6.3V			チップセラコン
C628-634	US135100	C. CE. CHP	0.1uF 16V			チップセラコン
C636-637	US135100	C. CE. CHP	0.1uF 16V			チップセラコン
C638	US061100	C. CE. CHP	10pF 50V B			チップセラコン
C639-647	US135100	C. CE. CHP	0.1uF 16V			チップセラコン
C648	US062100	C. CE. CHP	100pF 50V B			チップセラコン
C649-656	US135100	C. CE. CHP	0.1uF 16V			チップセラコン
C657-661	US062100	C. CE. CHP	100pF 50V B			チップセラコン
C662	US135100	C. CE. CHP	0.1uF 16V			チップセラコン
C663	US062100	C. CE. CHP	100pF 50V B			チップセラコン
C664-666	US135100	C. CE. CHP	0.1uF 16V			チップセラコン
C667-669	US046100	C. CE. CHP	1uF 25V			チップセラコン
C686-691	US046100	C. CE. CHP	1uF 25V			チップセラコン
C700	US046100	C. CE. CHP	1uF 25V			チップセラコン
C701	US035100	C. CE. CHP	0.1uF 16V B			チップセラコン
C704	US046100	C. CE. CHP	1uF 25V			チップセラコン
C705	WG888300	C. CE. M. CHP	10uF 6.3V			チップ積層セラコン
C706	UU238100	C. EL	100uF 16V			ケミコン
C707	US064100	C. CE. CHP	0.01uF 50V B			チップセラコン
C709-711	US064100	C. CE. CHP	0.01uF 50V B			チップセラコン
C712	US062120	C. CE. CHP	120pF 50V B			チップセラコン
C713	US061470	C. CE. CHP	47pF 50V B			チップセラコン
C714-716	US063100	C. CE. CHP	1000pF 50V B			チップセラコン
C718-725	US063100	C. CE. CHP	1000pF 50V B			チップセラコン
C726-727	US064100	C. CE. CHP	0.01uF 50V B			チップセラコン
C728-730	US063100	C. CE. CHP	1000pF 50V B			チップセラコン
C731	US035100	C. CE. CHP	0.1uF 16V B			チップセラコン
C732	US062100	C. CE. CHP	100pF 50V B			チップセラコン
C733-734	US063100	C. CE. CHP	1000pF 50V B			チップセラコン
D401-402	WW783900	DIODE	1SS355VM			ダイオード
D405-410	ZA310700	D. SCHOTTKY	RB520SM-40			ショットキーダイオード
D411-414	WW783900	DIODE	1SS355VM			ダイオード
D415	WY163200	DIODE. ZENR	UDZV5.1B			ツェナーダイオード
D417-419	WE674800	VARISTOR. C	AVRL161A1R1NTB			チップバリスタ
D437	WW783900	DIODE	1SS355VM			ダイオード
D439-442	WW783900	DIODE	1SS355VM			ダイオード
G401-402	WB438000	TERM. GND	M4 SD00433-21			アース端子
IC402	X8386A00	IC	TC7WH14FK (TE85L, F)			ロジック I C
IC403	X2656A00	IC	TC7SH08F AND			ロジック I C
IC404	YC731A00	IC. CPU	R5F364AENFA	unwritten		CPU I C
IC405	X5482A00	IC	NE5532DR OP AMP			アンプ I C
IC406	X3801A00	IC	SN74LVC1G125DCKR			ロジック I C
IC407	X5482A00	IC	NE5532DR OP AMP			アンプ I C
IC408	YC288A00	IC	RP130Q331D-TR-F			電源 I C
IC409	YF077A00	IC	BD00GA3WEFJ-E2			電源 I C
IC410	X9347A00	IC	R3112N291A-TR-FE			電源検出 I C
IC413	YF370B00	IC. MEMORY	EN29LV160CB-70TIP	written		メモリ I C
△ IC418-419	YE576A00	IC	BA6956AN			アンプ I C
IC420-421	X8385A00	IC	TC7WHU04FK TE85L			ロジック I C

* New Parts / 新規部品

DIGITAL and AUDIO

Ref No.	Part No.	Description	Remarks	Markets	部 品 名
IC424	YC213A00	IC	PCM9210PTR		I C
IC430	X8897A00	IC	R1172S331B-E2-F		電源 I C
IC438	X5482A00	IC	NE5532DR OP AMP		アンプ I C
IC441	X9293A00	IC	R1172H151D-T1-FE		電源 I C
* IC444	X8529A00	IC	TC7WZ08FK (TE85L, F)		ロジック I C
JK401	V7808900	CN. USB	UBB 4P SE		USBジャック
* PJ401-402	ZK240900	JACK. PIN	1P MSP-751V-13-GIL		ピンジャック
Q401-402	VV556400	TR	2SC2412K Q, R, S		トランジスタ
Q410	WZ703400	FET	RAL035P01		MOS FET
Q411	WW782100	TR. DGT	DTC014EUBTL		デジタルトランジスタ
R588	V8070300	R. MTL. FLM	10Ω 1W		金属被膜抵抗
R594-595	WW861300	R. CAR. FP	2. 2Ω 1/4W		不燃化カーボン抵抗
ST401-403	WG095100	SCR. TERM	M3		スクリューターミナル
U401	ZF740400	CN. PHOTO. R	1P JSR2165		ファイバー光受信器
U402	ZF509800	CN. PHOTO. T	1P JST2165		光ファイバ送信器
XL401	WV402100	RSNR. CE	20MHz CSTLS20MOX51		セラミック振動子
XL402	WV566200	RSNR. CRY5	12. 288MHZ DSX321G		水晶振動子
XL403	WS190000	RSNR. CRY5	24. 576MHZ DSX321G		水晶振動子
XL404	WG415900	RSNR. CRY5	30MHz DSX321G		水晶振動子
*	ZK182700	P. C. B.	AUDIO	J	PCB AUDIO
*	ZK182800	P. C. B.	AUDIO	UTKALVS	PCB AUDIO
*	ZK182900	P. C. B.	AUDIO	B	PCB AUDIO
*	ZK183000	P. C. B.	AUDIO	G	PCB AUDIO
CB1	WV304400	SOCKET	23P 506SMT		506ソケットSMT
C9-10	US634100	C. CE. CHP	0. 01uF 16V		チップセラコン
C11-14	WN440600	C. EL	470uF 50V		ケミコン
C15-18	WE102900	C. PP	0. 01uF 100V J		PPコン
C19	US126100	C. CE. CHP	1uF 10V		チップセラコン
C20	US634100	C. CE. CHP	0. 01uF 16V		チップセラコン
C21	WG251600	C. CE. CHP	4. 7uF 6. 3V		チップセラコン
C26-27	WC666800	C. CE. CHP	1uF 16V		チップセラコン
C28-29	US634100	C. CE. CHP	0. 01uF 16V		チップセラコン
C30-33	WC666800	C. CE. CHP	1uF 16V		チップセラコン
C34-37	US634100	C. CE. CHP	0. 01uF 16V		チップセラコン
C46-47	US035100	C. CE. CHP	0. 1uF 16V B		チップセラコン
C50	UU257470	C. EL	47uF 35V		ケミコン
C53	US035100	C. CE. CHP	0. 1uF 16V B		チップセラコン
C54	UU257470	C. EL	47uF 35V		ケミコン
C56	US035100	C. CE. CHP	0. 1uF 16V B		チップセラコン
C65	US035100	C. CE. CHP	0. 1uF 16V B		チップセラコン
C68	US035100	C. CE. CHP	0. 1uF 16V B		チップセラコン
C69-70	UU257470	C. EL	47uF 35V		ケミコン
C83	US135100	C. CE. CHP	0. 1uF 16V		チップセラコン
C88	US126100	C. CE. CHP	1uF 10V		チップセラコン
C89-90	WE102100	C. PP	2200pF 100V J		PPコン
C95-96	US064100	C. CE. CHP	0. 01uF 50V B		チップセラコン
C101-102	WE101700	C. PP	1000pF 100V J		PPコン
C107-108	WE102100	C. PP	2200pF 100V J		PPコン
C109-110	US064100	C. CE. CHP	0. 01uF 50V B		チップセラコン
C113-114	WE101700	C. PP	1000pF 100V J		PPコン
C119-124	WE101700	C. PP	1000pF 100V J		PPコン
C125-128	WE100500	C. PP	100pF 630V K		PPコン
C129-134	UU267100	C. EL	10uF 50V		ケミコン
C135-146	WE100500	C. PP	100pF 630V K		PPコン

* New Parts / 新規部品

AUDIO

Ref No.	Part No.	Description	Remarks	Markets	部 品 名
C159-162	UU257470	C. EL	47uF 35V		ケミコン
C165-168	UU257470	C. EL	47uF 35V		ケミコン
C171-176	ZH576000	C. EL	470uF 50V		ケミコン
C177-186	WE101700	C. PP	1000pF 100V J		PPコン
C189	US063100	C. CE. CHP	1000pF 50V B		チップセラコン
C195	US135100	C. CE. CHP	0. 1uF 16V		チップセラコン
C204-205	US064100	C. CE. CHP	0. 01uF 50V B		チップセラコン
C213	US035100	C. CE. CHP	0. 1uF 16V B		チップセラコン
C214-215	US061100	C. CE. CHP	10pF 50V B		チップセラコン
C301-304	WQ209700	C. PP	0. 027uF 100V	J	PPコン
C301-304	WE101700	C. PP	1000pF 100V J	UTKABGLVS	PPコン
* C305-308	ZK240800	C. EL	4700uF 50V		ケミコン
C309-310	WE102900	C. PP	0. 01uF 100V J		PPコン
C311-314	UU237330	C. EL	33uF 16V		ケミコン
C315-316	UU267330	C. EL	33uF 50V		ケミコン
C317-318	US634100	C. CE. CHP	0. 01uF 16V		チップセラコン
C325	UR266220	C. EL	2. 2uF 50V		ケミコン
C332-333	UU239100	C. EL	1000uF 16V		ケミコン
D3-4	WW783900	DIODE	1SS355VM		ダイオード
D5-8	WY164100	DIODE. ZENR	UDZV12B		ツェナーダイオード
D9-10	WY163300	DIODE. ZENR	UDZV5. 6B		ツェナーダイオード
D11-12	WY206000	DIODE. ZENR	UDZV3. 3B		ツェナーダイオード
D13-24	WW783900	DIODE	1SS355VM		ダイオード
D26-43	WW783900	DIODE	1SS355VM		ダイオード
D63-68	WW783900	DIODE	1SS355VM		ダイオード
D301-302	WK870400	DIODE. BRG	D4SBN20-7101 4A		ブリッジダイオード
D303-306	WW783900	DIODE	1SS355VM		ダイオード
D307-310	WY162800	DIODE. ZENR	UDZV3. 6B		ツェナーダイオード
D311	WY164000	DIODE. ZENR	UDZV11B		ツェナーダイオード
D313	WY164000	DIODE. ZENR	UDZV11B		ツェナーダイオード
D315-316	WW783900	DIODE	1SS355VM		ダイオード
D318	WW783900	DIODE	1SS355VM		ダイオード
IC1	X4964B00	IC	TC74VHC541FT (EL. K)		ロジック I C
IC2	X7195A00	IC	R1172S121D-E2-F		電源 I C
△ IC29-30	X7378A00	IC	NJM4565M (TE1)		アンプ I C
△ IC31	YF084A00	IC	ES9016S		I C
JK1-2	ZF197300	CN. CANNON	JACK NC3MBH		キャノンコネクター
PJ1-2	WK897800	JACK. PIN	JACK T6782-AAAC		ピンジャック
Q1	WZ177900	TR	KTC4370A-Y		トランジスタ
Q2	WW510000	TR	KTA1659A-Y-U/PF		トランジスタ
Q3	WZ177900	TR	KTC4370A-Y		トランジスタ
Q4	WW510000	TR	KTA1659A-Y-U/PF		トランジスタ
Q5	V7421800	TR	2SA1312-GR, BL		トランジスタ
Q6	V7421700	TR. CHP	2SC3324-GR, BL		チップトランジスタ
Q7	V7421800	TR	2SA1312-GR, BL		トランジスタ
Q8	V7421700	TR. CHP	2SC3324-GR, BL		チップトランジスタ
Q15-26	VJ927200	TR	2SA1162-Y (TE85R, F)		トランジスタ
Q27-32	V7421700	TR. CHP	2SC3324-GR, BL		チップトランジスタ
Q35	V7421800	TR	2SA1312-GR, BL		トランジスタ
Q36	V7421700	TR. CHP	2SC3324-GR, BL		チップトランジスタ
Q37	V7421800	TR	2SA1312-GR, BL		トランジスタ
Q38	V7421700	TR. CHP	2SC3324-GR, BL		チップトランジスタ
Q39	V7421800	TR	2SA1312-GR, BL		トランジスタ
Q40	V7421700	TR. CHP	2SC3324-GR, BL		チップトランジスタ
Q41	V7421800	TR	2SA1312-GR, BL		トランジスタ
Q42	V7421700	TR. CHP	2SC3324-GR, BL		チップトランジスタ
Q43	V7421800	TR	2SA1312-GR, BL		トランジスタ

* New Parts / 新規部品

AUDIO

Ref No.	Part No.	Description	Remarks	Markets	部 品 名
Q44	V7421700	TR. CHP	2SC3324-GR, BL		チップトランジスタ
Q45	V7421800	TR	2SA1312-GR, BL		トランジスタ
Q46	V7421700	TR. CHP	2SC3324-GR, BL		チップトランジスタ
Q48	ZD255900	TR	2SCR513P		トランジスタ
Q49	ZD255800	TR	2SAR513P		トランジスタ
Q50	ZD255900	TR	2SCR513P		トランジスタ
Q51	ZD255800	TR	2SAR513P		トランジスタ
Q52	ZD255900	TR	2SCR513P		トランジスタ
Q53	ZD255800	TR	2SAR513P		トランジスタ
Q54	ZD255900	TR	2SCR513P		トランジスタ
Q55	ZD255800	TR	2SAR513P		トランジスタ
Q56	ZD255900	TR	2SCR513P		トランジスタ
Q57	ZD255800	TR	2SAR513P		トランジスタ
Q58	ZD255900	TR	2SCR513P		トランジスタ
Q59	ZD255800	TR	2SAR513P		トランジスタ
Q63-74	ZC733700	FET	2SK880-BL (TE85L)		F E T
Q301	V7421700	TR. CHP	2SC3324-GR, BL		チップトランジスタ
Q302	V7421800	TR	2SA1312-GR, BL		トランジスタ
Q303	V7421700	TR. CHP	2SC3324-GR, BL		チップトランジスタ
Q304	V7421800	TR	2SA1312-GR, BL		トランジスタ
Q305	WM280600	TR	2SC4511 O, P, Y		トランジスタ
Q306-307	WM280500	TR	2SA1725 O, P, Y		トランジスタ
Q308	WM280600	TR	2SC4511 O, P, Y		トランジスタ
Q309-310	ZD255900	TR	2SCR513P		トランジスタ
Q311-322	WC883400	TR	2SD2704 K		トランジスタ
Q323	WW782200	TR. DGT	DTC023JUBTL		デジタルトランジスタ
Q324-325	ZC298400	TR	2SA1037AK R, S TP		トランジスタ
R26-27	Vi194300	R. MTL. CHP	560Ω 1/10W		チップ金属被膜抵抗
R29-30	Vi195000	R. MTL. CHP	1.1KΩ 1/10W		チップ金属被膜抵抗
R33-34	Vi192500	R. MTL. CHP	100Ω 1/10W		チップ金属被膜抵抗
R37-38	Vi192500	R. MTL. CHP	100Ω 1/10W		チップ金属被膜抵抗
R39-40	Vi190100	R. MTL. CHP	10Ω 1/10W		チップ金被抵抗
R41-42	Vi197400	R. MTL. CHP	10KΩ 1/10W		チップ金属被膜抵抗
R47-48	Vi196100	R. MTL. CHP	3.3KΩ 1/10W D		チップ金属被膜抵抗
R54-55	Vi192500	R. MTL. CHP	100Ω 1/10W		チップ金属被膜抵抗
R68-69	HL005680	R. MTL. OXD	680Ω 1/2W		酸化金属被膜抵抗
R74-75	HL005680	R. MTL. OXD	680Ω 1/2W		酸化金属被膜抵抗
R80-83	HL005680	R. MTL. OXD	680Ω 1/2W		酸化金属被膜抵抗
R92-97	Vi194300	R. MTL. CHP	560Ω 1/10W		チップ金属被膜抵抗
R99-104	Vi193500	R. MTL. CHP	270Ω 1/10W		チップ金属被膜抵抗
R105-108	Vi194300	R. MTL. CHP	560Ω 1/10W		チップ金属被膜抵抗
R110-111	Vi194300	R. MTL. CHP	560Ω 1/10W		チップ金属被膜抵抗
R112-115	HL005680	R. MTL. OXD	680Ω 1/2W		酸化金属被膜抵抗
R120-123	WQ835800	R. MTL. OXD	100Ω 1W		酸化金属被膜抵抗
R124-129	Vi192500	R. MTL. CHP	100Ω 1/10W		チップ金属被膜抵抗
R130-133	ZG861700	R. MTL. OXD	200Ω 1W		酸化金属被膜抵抗
R142-147	Vi199000	R. MTL. CHP	47KΩ 1/10W		チップ金属被膜抵抗
R148-159	Vi193300	R. MTL. CHP	220Ω 1/10W		チップ金属被膜抵抗
R160-171	V8070900	R. MTL. FLM	100Ω 1W		金属被膜抵抗
R174-179	V8072500	R. MTL. OXD	22KΩ 1W		酸化金属被膜抵抗
R194-203	WA621700	R. MTL. FLM	270Ω 1W		金属被膜抵抗
R206-207	WA621700	R. MTL. FLM	270Ω 1W		金属被膜抵抗
R319	Vi195600	R. MTL. CHP	2KΩ 1/10W		チップ金属被膜抵抗
R323	Vi195600	R. MTL. CHP	2KΩ 1/10W		チップ金属被膜抵抗
R332-333	WA621100	R. MTL. FLM	27Ω 1W		金属被膜抵抗
R335-336	WW862100	R. CAR. FP	10Ω 1/4W		不燃化カーボン抵抗
R337	V8070700	R. MTL. FLM	47Ω 1W		金属被膜抵抗

* New Parts / 新規部品

AUDIO and FRONT

Ref No.	Part No.	Description	Remarks	Markets	部 品 名
R338-339	WW862100	R. CAR. FP	10Ω 1/4W		不燃化カーボン抵抗
R340	V8070700	R. MTL. FLM	47Ω 1W		金属被膜抵抗
R349-350	Vi197400	R. MTL. CHP	10KΩ 1/10W		チップ金属被膜抵抗
R369	WQ072200	R. MTL. OXD	1Ω 1W		酸化金属被膜抵抗
ST1-2	WG095100	SCR. TERM	M3		スクリューターミナル
TE301	ZF084200	TERMINAL	6P E01		端子台
XL1	ZF176200	RESONATOR	40MHz DS0321SH		水晶発振器
	WE774100	SCR. BOD. HD	3x8 MFZN2B3		ボンディングBタイトネジ
*	ZK182000	P. C. B.	FRONT	J	PCB FRONT
*	ZK182100	P. C. B.	FRONT	UVS	PCB FRONT
*	ZK182200	P. C. B.	FRONT	TKAL	PCB FRONT
*	ZK182300	P. C. B.	FRONT	B	PCB FRONT
*	ZK182400	P. C. B.	FRONT	G	PCB FRONT
△	CB901	VL845100	CN. BS. PIN		コネクター
	CB904-905	WN103000	CLIP. FUSE		ヒューズクリップ
	CB908	VB858300	CN. BS. PIN		コネクター
	CB909	WE221700	CN. BS. PIN		コネクター
	CB910	VQ045300	CN. BS. PIN		コネクター
	CB911	LB919020	CN. BS. PIN		コネクター
	CB912	VB858800	CN. BS. PIN		コネクター
	CB913	VB858100	CN. BS. PIN		コネクター
	C902	US064100	C. CE. CHP		チップセラコン
	C904	US064100	C. CE. CHP		チップセラコン
	C905-908	WE102900	C. PP		PPコン
	C909-910	WE102900	C. PP	J	PPコン
	C911-912	WE102900	C. PP		PPコン
	C913	UR268220	C. EL		ケミコン
	C914	WM112600	C. EL		ケミコン
	C915	ZF660900	C. EL		ケミコン
	C916-917	WR133600	C. EL		ケミコン
	C918	UR266470	C. EL		ケミコン
	C919-924	US135330	C. CE. CHP		チップセラコン
	C925	UR267100	C. EL		ケミコン
	C926-929	US135330	C. CE. CHP		チップセラコン
	C930-935	UU238100	C. EL		ケミコン
△	C936	V6185300	C. CE. SAFTY		規格認定コンデンサ
	C937	US063100	C. CE. CHP		チップセラコン
	C938	US062100	C. CE. CHP		チップセラコン
	C939-940	US063100	C. CE. CHP		チップセラコン
	C942	US063100	C. CE. CHP		チップセラコン
△	C943	V6185300	C. CE. SAFTY		規格認定コンデンサ
	C944	WE102900	C. PP		PPコン
△	C945	V6185300	C. CE. SAFTY		規格認定コンデンサ
	C946-947	UU237100	C. EL		ケミコン
	C949	UU238100	C. EL		ケミコン
	C950	US063100	C. CE. CHP		チップセラコン
	C951	UU266100	C. EL		ケミコン
	C952	UU237470	C. EL		ケミコン
	C953	WE102900	C. PP		PPコン
	C954	UU266220	C. EL		ケミコン
	C955	WR133600	C. EL		ケミコン
	C956	US035100	C. CE. CHP		チップセラコン
	C957	UU266220	C. EL		ケミコン
	C958	US064100	C. CE. CHP		チップセラコン

* New Parts / 新規部品

CD-S2100

FRONT

Ref No.	Part No.	Description	Remarks	Markets	部 品 名
C959	US135100	C. CE. CHP	0. 1uF 16V		チップセラコン
C960-962	US062100	C. CE. CHP	100pF 50V B		チップセラコン
C967	US064100	C. CE. CHP	0. 01uF 50V B		チップセラコン
C971	US065100	C. CE. CHP	0. 1uF 50V B		チップセラコン
C972	WG888300	C. CE. M. CHP	10uF 6. 3V		チップ積層セラコン
C973	US064100	C. CE. CHP	0. 01uF 50V B		チップセラコン
C974	US126100	C. CE. CHP	1uF 10V		チップセラコン
C975	US135100	C. CE. CHP	0. 1uF 16V		チップセラコン
C976	WG888300	C. CE. M. CHP	10uF 6. 3V		チップ積層セラコン
C977	WJ831900	C. CE. M. CHP	10uF 16V		チップ積層セラコン
C978-979	US135100	C. CE. CHP	0. 1uF 16V		チップセラコン
C980	US065100	C. CE. CHP	0. 1uF 50V B		チップセラコン
C982	US135100	C. CE. CHP	0. 1uF 16V		チップセラコン
C983-984	US064100	C. CE. CHP	0. 01uF 50V B		チップセラコン
C985	UM397470	C. EL	47uF 16V		ケミコン
C986	US135100	C. CE. CHP	0. 1uF 16V		チップセラコン
C987	US064100	C. CE. CHP	0. 01uF 50V B		チップセラコン
D902	WW783900	DIODE	1SS355VM		ダイオード
D904	WW783900	DIODE	1SS355VM		ダイオード
D905	WY163300	DIODE. ZENR	UDZV5. 6B		ツェナーダイオード
D907	WW783900	DIODE	1SS355VM		ダイオード
D909	WW783900	DIODE	1SS355VM		ダイオード
△ D910-911	V4756800	DIODE. BRG	S1NB60 1A 600V		ブリッジダイオード
D912	WK870400	DIODE. BRG	D4SBN20-7101 4A		ブリッジダイオード
D913	WH487300	DIODE. BRG	RS203M 2. 0A 200V		ブリッジダイオード
D914	WY165000	DIODE. ZENR	UDZV30B		ツェナーダイオード
D915-918	WW783900	DIODE	1SS355VM		ダイオード
D921-922	WW783900	DIODE	1SS355VM		ダイオード
△ D924-926	WW783900	DIODE	1SS355VM		ダイオード
D927	V4756800	DIODE. BRG	S1NB60 1A 600V		ブリッジダイオード
D928-929	WW783900	DIODE	1SS355VM		ダイオード
D931-932	WW783900	DIODE	1SS355VM		ダイオード
D933	ZC674600	DIODE. ZENR	UDZV2. 0B		ツェナーダイオード
D934-935	WW783900	DIODE	1SS355VM		ダイオード
D937-941	WW783900	DIODE	1SS355VM		ダイオード
D942	WY163300	DIODE. ZENR	UDZV5. 6B		ツェナーダイオード
D943-944	WW783900	DIODE	1SS355VM		ダイオード
D945-947	WA467800	LED	SEL6910A-CD		LED
D948-949	WW783900	DIODE	1SS355VM		ダイオード
D950-953	WA467800	LED	SEL6910A-CD		LED
D954-955	WW783900	DIODE	1SS355VM		ダイオード
D956	WA467800	LED	SEL6910A-CD		LED
D957-958	VT532500	DIODE	1SR154-400		ダイオード
D959-960	WY163100	DIODE. ZENR	UDZV4. 7B		ツェナーダイオード
D961-963	VT532500	DIODE	1SR154-400		ダイオード
D964-965	WW783900	DIODE	1SS355VM		ダイオード
△ F901	WG409800	FUSE	2A 125V	JUVS	ヒューズ
△ F901	KB000750	FUSE. MNI	T2A 250V	TKABGL	ミニヒューズ
IC901-903	YF323A00	IC	BA05CC0T 5V		電源 I C
IC904	YF429A00	IC	BA07CC0T 7V		電源 I C
IC905	XJ608A00	IC	NJM7812FA		I C
IC906	XC721A00	IC	NJM7912FA -12V		電源 I C
IC907-908	WJ688100	PHOT. CPL	EL816 (B)		フォトカプラ
IC909	X2973A00	IC	TC7SZ125FU		I C
IC910	X3586B00	IC	TC74VHCT08AFT EL. K		ロジック I C
IC911	YE686A00	IC	LC709004AMJ-AH		I C
JK901-902	V9435700	JACK. MINI	MSJ-035-12APC		モノラルミニジャック

* New Parts / 新規部品

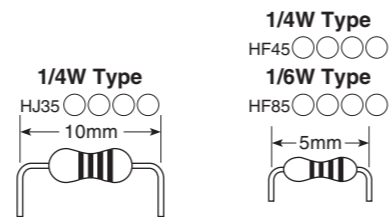
FRONT

Ref No.	Part No.	Description	Remarks	Markets	部 品 名
JK903	ZC646900	JACK. DIN	1P JY-5040-040		D I Nジャック
Q901	WB228800	TR	KTC3198 Y AT		トランジスタ
Q902	WB228700	TR	KTA1266 Y AT		トランジスタ
Q903	WW782300	TR. DGT	DTC044EUBTL		デジタルトランジスタ
Q904	VV556400	TR	2SC2412K Q, R, S		トランジスタ
Q906	VV556500	TR	2SA1037K Q, R, S		トランジスタ
Q907-908	VV556400	TR	2SC2412K Q, R, S		トランジスタ
Q909	ZD255900	TR	2SCR513P		トランジスタ
Q910	WW782300	TR. DGT	DTC044EUBTL		デジタルトランジスタ
Q911-912	VV556400	TR	2SC2412K Q, R, S		トランジスタ
Q913	WW782100	TR. DGT	DTC014EUBTL		デジタルトランジスタ
R901-902	WW861500	R. CAR. FP	3. 3Ω 1/4W		不燃化カーボン抵抗
R903-904	WW863300	R. CAR. FP	100Ω 1/4W		不燃化カーボン抵抗
R912	WW863300	R. CAR. FP	100Ω 1/4W		不燃化カーボン抵抗
R1001	Vi190500	R. MTL. CHP	15Ω 1/10W		チップ金被抵抗
R1002	V8071700	R. MTL. OXD	1. 5KΩ 1W	J	酸化金属被膜抵抗
△ RY902	V9366900	RELAY	DL.S9D1-0 (M) 0. 25W		リレー
ST901-904	WG095100	SCR. TERM	M3		スクリューターミナル
ST905-908	WK947700	SCR. TERM	D2. 6		ネジ端子
SW901	WM058600	SW. LEVER	AS-500A-M-PC-A02		レバーSW
SW902-910	WD483100	SW. TACT	SKRGAAD010		タクトスイッチ
△ T901	X8520A00	TRANS. PWR		J	電源トランス
△ T901	X8521A00	TRANS. PWR		UVS	電源トランス
△ T901	X8523A00	TRANS. PWR		TKABGL	電源トランス
TE901	ZF080700	TERMINAL	4P E03B		端子台
△ TE902	ZD539100	INLET. AC	2P R-30190 (27) CCC		A Cインレット
U901	WH981800	L. DTCT	GP1UE261RKVF		リモコン受光ユニット
V901	ZG040200	FL. DSPLY	013ST087GINK		蛍光表示管
	WM164600	SHEET			シートFL
	WQ791800	SPACER. FL			FLスペーサー
	WE774100	SCR. BOD. HD	3x8 MFZN2B3		ボンディングBタイトネジ

* New Parts / 新規部品

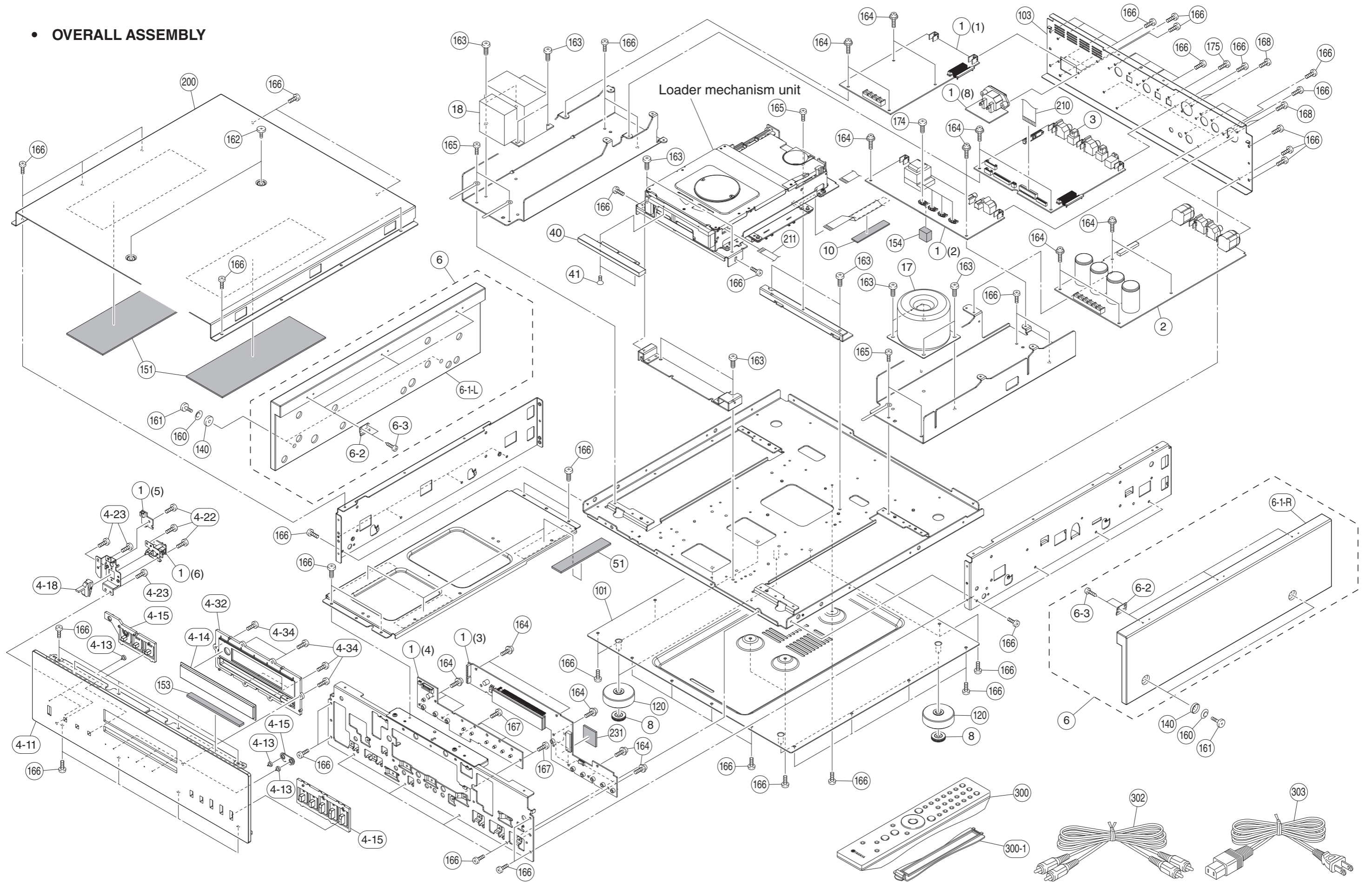
Carbon Resistors

Value	1/4W Type Part No.	1/6W Type Part No.	Value	1/4W Type Part No.	1/6W Type Part No.
1.0 Ω	HJ35 3100	HF85 3100	11 kΩ	HF45 7110	HF45 7110
1.8 Ω	HJ35 3180	*	12 kΩ	HJ35 7120	HF85 7120
2.2 Ω	HJ35 3220	HF85 3220	13 kΩ	HF45 7130	HF45 7130
3.3 Ω	HJ35 3330	HF85 3330	15 kΩ	HF45 7150	HF45 7150
4.7 Ω	HJ35 3470	HF85 3470	18 kΩ	HF45 7180	HF45 7180
5.6 Ω	HJ35 3560	HF85 3560	22 kΩ	HF45 7220	HF45 7220
10 Ω	HF45 4100	HF45 4100	24 kΩ	HF45 7240	HF45 7240
15 Ω	HJ35 4150	HF85 4150	27 kΩ	HJ35 7270	HF85 7270
22 Ω	HF45 4220	HF45 4220	30 kΩ	HF45 7300	HF45 7300
27 Ω	HJ35 4270	HF85 4270	33 kΩ	HF45 7330	HF45 7330
33 Ω	HF45 4330	HF45 4330	36 kΩ	HF45 7360	HF45 7360
39 Ω	HJ35 4470	HF85 4390	39 kΩ	HF45 7390	HF45 7390
47 Ω	HF45 4470	HF45 4470	47 kΩ	HF45 7470	HF45 7470
56 Ω	HF45 4560	HF45 4560	51 kΩ	HF45 7510	HF45 7510
68 Ω	HF45 4680	HF45 4680	56 kΩ	HF45 7560	HF45 7560
75 Ω	HF45 4750	HF45 4750	62 kΩ	HF45 7620	HF45 7620
82 Ω	HF45 4820	HF45 4820	68 kΩ	HF45 7680	HF45 7680
91 Ω	HF45 4910	HF45 4910	82 kΩ	HF45 7820	HF45 7820
100 Ω	HF45 5100	HF45 5100	91 kΩ	HF45 7910	HF45 7910
110 Ω	HJ35 5110	HF85 5110	100 kΩ	HF45 8100	HF45 8100
120 Ω	HF45 5120	HF45 5120	110 kΩ	HF45 8110	HF45 8110
150 Ω	HF45 5150	HF45 5150	120 kΩ	HF45 8120	HF45 8120
160 Ω	HJ35 5160	*	130 kΩ	HF45 8130	*
180 Ω	HF45 5180	HF45 5180	150 kΩ	HF45 8150	HF45 8150
200 Ω	HF45 5200	HF45 5200	180 kΩ	HF45 8180	HF45 8180
220 Ω	HF45 5220	HF45 5220	220 kΩ	HJ35 8220	HF85 8220
270 Ω	HF45 5270	HF45 5270	270 kΩ	HF45 8270	HF45 8270
330 Ω	HF45 5330	HF45 5330	300 kΩ	HF45 8300	HF45 8300
390 Ω	HF45 5390	HF45 5390	330 kΩ	HF45 8330	HF45 8330
430 Ω	HF45 5430	HF45 5430	390 kΩ	HJ35 8390	HF85 8390
470 Ω	HF45 5470	HF45 5470	470 kΩ	HF45 8470	HF45 8470
510 Ω	HF45 5510	HF45 5510	560 kΩ	HJ35 8560	HF85 8560
560 Ω	HF45 5560	HF45 5560	680 kΩ	HJ35 8680	HF85 8680
680 Ω	HF45 5680	HF45 5680	820 kΩ	HJ35 8820	HF85 8820
820 Ω	HF45 5820	HF45 5820	1.0 MΩ	HF45 9100	HF45 9100
910 Ω	HF45 5910	HF45 5910	1.2 MΩ	HJ35 9120	*
1.0 kΩ	HF45 6100	HF45 6100	1.5 MΩ	HJ35 9150	HF85 9150
1.2 kΩ	HF45 6120	HF45 6120	1.8 MΩ	HJ35 9180	HF85 9180
1.5 kΩ	HF45 6150	HF45 6150	2.2 MΩ	HJ35 9220	HF85 9220
1.8 kΩ	HF45 6180	HF45 6180	3.3 MΩ	HJ35 9330	HF85 9330
2.0 kΩ	HJ35 6200	HF85 6200	3.9 MΩ	HJ35 9390	*
2.2 kΩ	HF45 6220	HF45 6220	4.7 MΩ	HJ35 9470	HF85 9470
2.4 kΩ	HJ35 6240	HF85 6240			
2.7 kΩ	HF45 6270	HF45 6270			
3.0 kΩ	HF45 6300	HF45 6300			
3.3 kΩ	HF45 6330	HF45 6330			
3.6 kΩ	HJ35 6360	HF85 6360			
3.9 kΩ	HF45 6390	HF45 6390			
4.7 kΩ	HF45 6470	HF45 6470			
5.1 kΩ	HF45 6510	HF45 6510			
5.6 kΩ	HF45 6560	HF45 6560			
6.8 kΩ	HF45 6680	HF45 6680			
8.2 kΩ	HF45 6820	HF45 6820			
9.1 kΩ	HF45 6910	HF45 6910			
10 kΩ	HF45 7100	HF45 7100			



* : Not available

• OVERALL ASSEMBLY



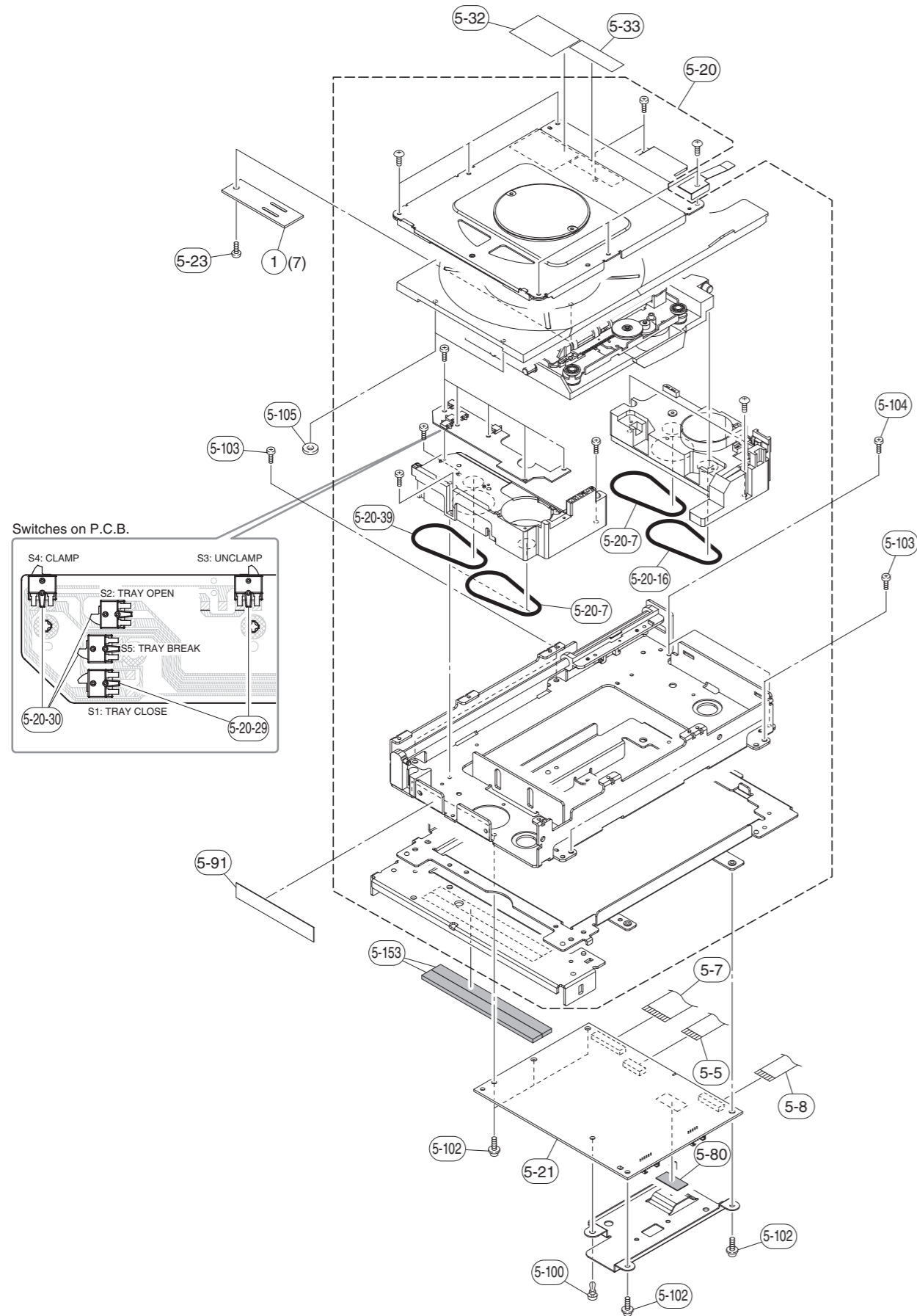
Ref No.	Part No.	Description	Remarks	Markets	部 品 名
* 1	ZK182000	P. C. B. ASSEMBLY		J	PCB FRONT
* 1	ZK182100	P. C. B. ASSEMBLY		UVS	PCB FRONT
* 1	ZK182200	P. C. B. ASSEMBLY		TKAL	PCB FRONT
* 1	ZK182300	P. C. B. ASSEMBLY		B	PCB FRONT
* 1	ZK182400	P. C. B. ASSEMBLY		G	PCB FRONT
* 2	ZK182700	P. C. B. ASSEMBLY		J	PCB AUDIO
* 2	ZK182800	P. C. B. ASSEMBLY		UTKALVS	PCB AUDIO
* 2	ZK182900	P. C. B. ASSEMBLY		B	PCB AUDIO
* 2	ZK183000	P. C. B. ASSEMBLY		G	PCB AUDIO
* 3	ZK183300	P. C. B. ASSEMBLY		J	PCB DIGITAL
* 3	ZK183400	P. C. B. ASSEMBLY		UTKALVS	PCB DIGITAL
* 3	ZK183500	P. C. B. ASSEMBLY		B	PCB DIGITAL
* 3	ZK183600	P. C. B. ASSEMBLY		G	PCB DIGITAL
* 4-11	ZK091300	FRONT PANEL	BL, BP	UABGLVS	フロントパネル
* 4-11	ZK091100	FRONT PANEL	SI, SP	JUKABGL	フロントパネル
* 4-11	ZK091200	FRONT PANEL	SI	T	フロントパネル
4-13	WK849200	LENS LED			レンズLED
* 4-14	ZK093300	WINDOW			ウインドウ
* 4-15	ZK091700	BUTTON CASE	BL, BP	UABGLVS	ボタンケース
* 4-15	ZK091600	BUTTON CASE	SI, SP		ボタンケース
* 4-18	ZK091900	SWITCH LEVER	BL, BP	UABGLVS	スイッチレバー
* 4-18	ZK091800	SWITCH LEVER	SI, SP		スイッチレバー
4-22	WE936300	BIND HEAD B-TIGHT SCREW	3x6 MFZN2W3		バインドBタイトネジ
4-23	WV436900	BIND HEAD S-TIGHT SCREW	3x4 MFZN2B3		バインドSタイトネジ
* 4-32	ZK236100	BUTTON	1P	BL, BP	ボタン
* 4-32	ZK236000	BUTTON	1P	SI, SP	ボタン
4-34	WE774300	BIND HEAD B-TIGHT SCREW	3x8 MFZN2W3		バインドBタイトネジ
6	AAX90160	SIDE PANEL ASSEMBLY	L/R 1pair, Dark Brown	BL	サイドパネルA s s' y
6	AAX90150	SIDE PANEL ASSEMBLY	L/R 1pair, Birch	SI	サイドパネルA s s' y
* 6-1-L	WT863200	SIDE PANEL L	Piano black color	BP, SP	サイドパネルL
* 6-1-R	WT863300	SIDE SIDE R	Piano black color	BP, SP	サイドパネルR
6-2	WK862400	SUPPORT SIDE			サポートサイド
6-3	WV069200	PAN HEAD TAPPING SCREW	3.5x16 MFZN2B3		ナベTPネジ
8	WV078400	MAGNET FOOT	D20t=5.3, PAD D16.4		スパイクカバー
10	WN440100	DAMPER	15x80 t=2		ダンパー
△ * 17	YG115A00	POWER TRANSFORMER	for AUDIO	J	電源トランス
△ * 17	YG116A00	POWER TRANSFORMER	for AUDIO	UVS	電源トランス
△ * 17	YG117A00	POWER TRANSFORMER	for AUDIO	TKABGL	電源トランス
△ * 18	YG118A00	POWER TRANSFORMER	for DIGITAL/FRONT	J	電源トランス
△ * 18	YG119A00	POWER TRANSFORMER	for DIGITAL/FRONT	UVS	電源トランス
△ * 18	YG120A00	POWER TRANSFORMER	for DIGITAL/FRONT	TKABGL	電源トランス
40	WK855200	LID		BL, BP	リッド
40	WK855100	LID		SI, SP	リッド
41	WG489600	FLAT HEAD SCREW	2.6x4 MFZN2B3		皿小ネジ
51	WM172800	DAMPER	100x25x2		ダンパー
101	ZF772600	BOTTOM COVER			ボトムカバー
* 103	ZK092000	REAR PANEL		J	リアパネル
* 103	ZK092100	REAR PANEL		UVS	リアパネル
* 103	ZK092200	REAR PANEL		T	リアパネル
* 103	ZK092300	REAR PANEL		K	リアパネル
* 103	ZK092400	REAR PANEL		ABGL	リアパネル
120	WK850300	LEG	D45 t=16		レッグ

* New Parts / 新規部品 Finish / 仕上げ..... BL: Black/Dark brown color, BP: Black/Piano black color, SI: Silver/Birch color, BSP: Silver/Piano black color * Color: Front and top panels / Side panel

Ref No.	Part No.	Description	Remarks	Markets	部 品 名
140	WK858600	WASHER		SI	ワッシャー
140	WV026900	WASHER		BL, BP, SP	ワッシャー
151	WA207100	DAMPER	70x200 t=2		ダンパー
153	WV089800	DAMPER FRONT	106x9x3		ダンパー
153	WV089800	DAMPER FRONT	106x9x3		ダンパー
* 154	WS324200	SPACER	15x15x10		スペーサー
160	WN426000	CONED DISC SPRING L	D14.2/8 MFZN2B3		サラパネL
161	WV026800	DISH HEAD SCREW		BL, BP, SP	DISHヘッドネジ
161	WK864500	DISH HEAD SCREW		SI	DISHヘッドネジ
162	VK522100	SPECIAL S-TIGHT SCREW	4x8-10 MFC2BL	BL, BP	Sタイト化粧ネジ
162	VZ893000	SPECIAL S-TIGHT SCREW	4x8-10 MFN133	SI, SP	Sタイト化粧ネジ
163	WF821300	BIND HEAD S-TIGHT SCREW	4x7 MFZN2W3		バインドSタイトネジ
164	VT669300	PW HEAD B-TIGHT SCREW	3x8-8 MFC2		PWヘッドBタイトネジ
165	WE774300	BIND HEAD B-TIGHT SCREW	3x8 MFZN2W3		バインドBタイトネジ
166	WE774100	BIND HEAD BONDING B-T. SCREW	3x8 MFZN2B3		ボンディングBタイトネジ
167	WV436900	BIND HEAD S-TIGHT SCREW	3x4 MFZN2B3		バインドSタイトネジ
168	ZG185500	PAN HEAD P-TIGHT SCREW	2.6x8 MFZN2B2		ナベPタイトネジ
173	WE969800	PW HEAD SCREW	3x8-8 MFZN2W3		PWヘッド小ネジ
174	ZJ005300	BIND B-TIGHT SCREW	3x8 MFC2		バインドBタイトネジ
175	WE877800	BIND HEAD S-TIGHT SCREW	3x6 MFZN2B3		バインドSタイトネジ
200	WK863900	TOP COVER	Black	BL, BP	トップカバー
200	WK863800	TOP COVER	Silver	SI, SP	トップカバー
210	MF123600	FLEXIBLE FLAT CABLE	23P 600mm P=1.25		カード電線
211	MFA08120	FLEXIBLE FLAT CABLE	8P 120mm P=1.0		カード電線
231	WV358500	CUSHION	25x25		クッション
		ACCESSORIES			付属品
300	ZF783500	REMOTE CONTROL	CDX30	000-229000020	リモコン
300-1	ZJ256400	BATTERY COVER	Black	CG-44369	電池蓋
302	V6509000	AUDIO PIN CABLE	2P 1.5m RE-WH 1pc		ステレオピンケーブル
△ 303	V8466900	POWER CABLE	2m 1pc	J	電源コード
△ 303	WK991800	POWER CABLE	2m 1pc	U	電源コード
△ 303	WV837300	POWER CABLE	2m 1pc	T	電源コード
△ 303	WT687400	POWER CABLE	2m 1pc	K	電源コード
△ 303	WB750900	POWER CABLE	2m 1pc	A	電源コード
△ 303	WQ749200	POWER CABLE	2m 1pc	B	電源コード
△ 303	WK991900	POWER CABLE	2m 1pc	G	電源コード
△ 303	WQ577000	POWER CABLE	2m 1pc	L	電源コード
△ 303	WK391000	POWER CABLE	2m 1pc	V	電源コード
△ 303	ZA789800	POWER CABLE	2m 1pc	S	電源コード
		BATTERY	R03, AAA, UM-4 2pcs		単4乾電池
		SERVICE TOOLS			サービスツール
	WZ064500	RS-232C CONVERSION ADAPTOR	VERSION 4.0	with CABLE 9P	RS-232C変換アダプター
	ZD896000	FLEXIBLE FLAT CABLE	9P 150mm P=1.25	SUPPORTING TAPE	カード電線 補強テープ付

* New Parts / 新規部品 Finish / 仕上げ..... BL: Black/Dark brown color, BP: Black/Piano black color, SI: Silver/Birch color, BSP: Silver/Piano black color * Color: Front and top panels / Side panel

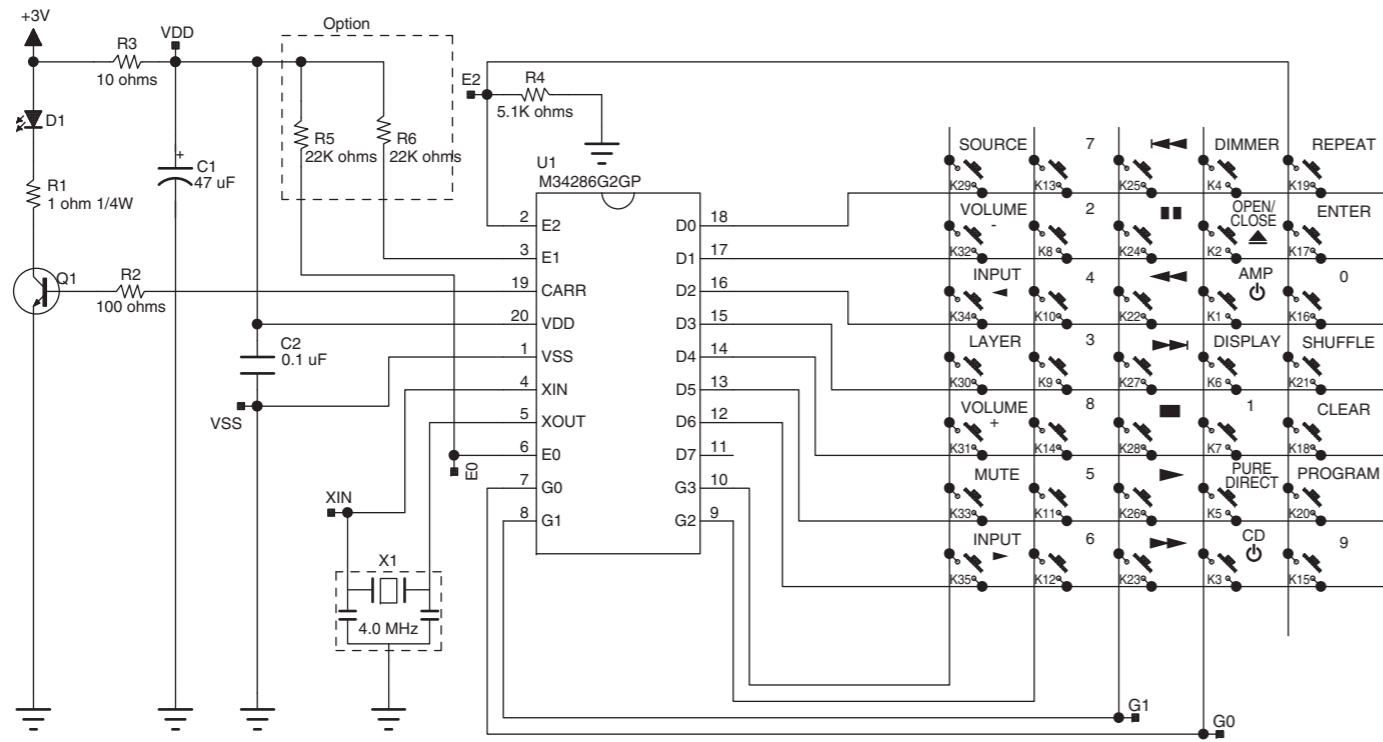
• **LOADER MECHANISM UNIT**



Ref No.	Part No.	Description	Remarks	Markets	部 品 名
* 1	ZK182000	P. C. B. ASSEMBLY	FRONT	J	PCB FRONT
* 1	ZK182100	P. C. B. ASSEMBLY	FRONT	UVS	PCB FRONT
* 1	ZK182200	P. C. B. ASSEMBLY	FRONT	TKAL	PCB FRONT
* 1	ZK182300	P. C. B. ASSEMBLY	FRONT	B	PCB FRONT
* 1	ZK182400	P. C. B. ASSEMBLY	FRONT	G	PCB FRONT
5-5	WV414400	FLEXIBLE FLAT CABLE	24P 200mm P=0.5		カード電線
5-7	ZH986900	SHIELD FLEXIBLE FLAT CABLE	29P 160mm P=1		シールドカード電線
5-8	MFA17200	FLEXIBLE FLAT CABLE	17P 200mm P=1.0		カード電線
5-20	ZF881900	LOADER MECHANISM UNIT	YVCL-3		ローダーメカユニット
5-20-7	ZJ436500	LOADING BELT	BELT-M	E3G023B	ローディングベルト
5-20-16	ZJ436600	LOADING BELT	BELT-GS	E3G024B	ローディングベルト
5-20-29	WY398500	TACT SWITCH	MPU12371BLB0	S1, S3	検出スイッチ
5-20-30	WY398400	TACT SWITCH	MPU12272BLB0	S2, S4, S5	検出スイッチ
5-20-39	ZK389800	LOADING BELT	BELT-S	E3G042A	ローディングベルト
5-21	YF235B00	MODULE BOARD	CDK1201-R0		モジュールボード
5-23	WF267600	BIND HEAD P-TIGHT SCREW	2x6 MFZN2B3		バインドPタイトネジ
5-32	WR444700	LABEL	LASER CAUTION		ラベル
5-33	ZG391400	LABEL	LASER DANGER		ラベル
5-80	ZK239400	RADIATION SHEET	10x20		放熱シート
5-91	ZJ199100	BARRIER	LOADER		バリヤ
5-100	VQ368500	PUSH RIVET	P3545-B		プッシュリベット
5-102	VT669300	PW HEAD B-TIGHT SCREW	3x8-8 MFC2		PWヘッドBタイトネジ
5-103	WE774300	BIND HEAD B-TIGHT SCREW	3x8 MFZN2W3		バインドBタイトネジ
5-104	ZG185500	PAN HEAD P-TIGHT SCREW	2.6x8 MFZN2B2		ナベPタイトネジ
5-105	WN075900	LID WASHER	D8/4 t=0.25		LIDワッシャー
5-153	WN089800	DAMPER	106x9x3		ダンパー

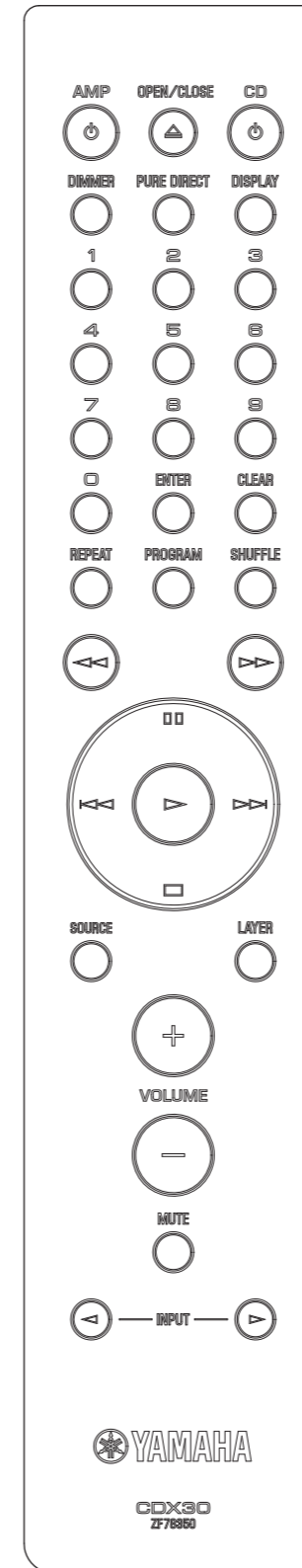
* New Parts / 新規部品

REMOTE CONTROL SCHEMATIC DIAGRAM

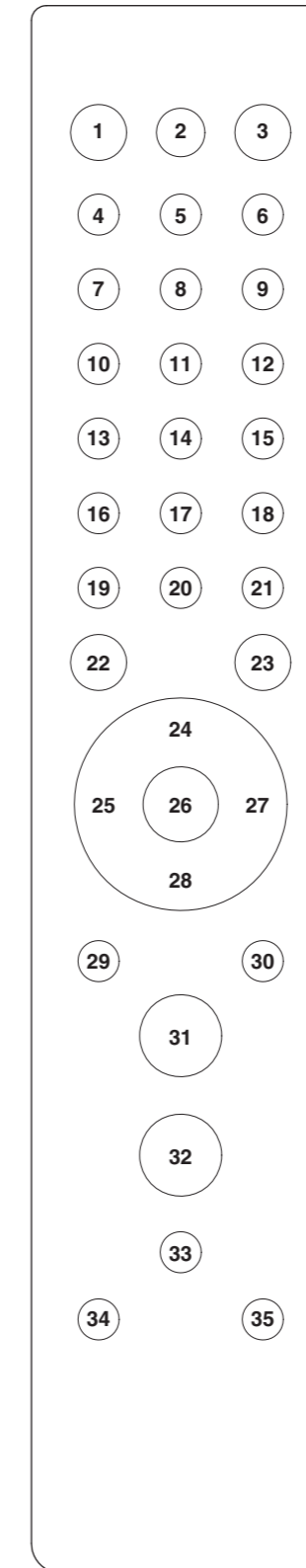


No.	Model name:	R5	R6
1.	RAS30	X	X
2.	CDX30	X	O

PANEL



KEY NO. LAYOUT

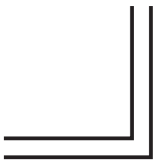
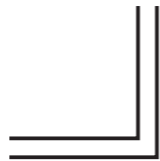
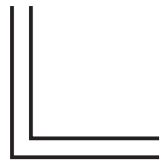
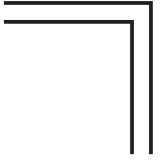
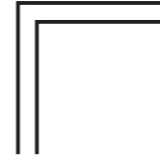
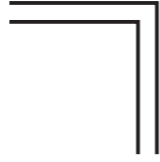
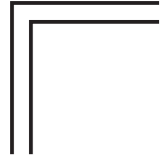


KEY CODE

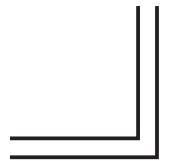
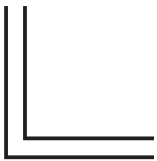
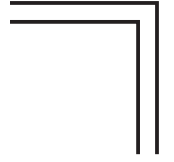
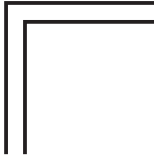
Key No.	Key Name	Mode-1	
		Customer code	Data code
1	AMP	7E	2AD4
2	OPEN/CLOSE	79	01
3	CD	79	60
4	DIMMER	79	54
5	PURE DIRECT	79	6E
6	DISPLAY	79	0A
7	1	79	11
8	2	79	12
9	3	79	13
10	4	79	14
11	5	79	15
12	6	79	16
13	7	79	17
14	8	79	18
15	9	79	19
16	0	79	10
17	ENTER	79	3F
18	CLEAR	79	0D
19	REPEAT	79	08
20	PROGRAM	79	0C
21	SHUFFLE	79	1B
22	◀ (fast rewind)	79	05
23	▶ (fast forward)	79	06
24	■ (pause)	79	55
25	◀ (skip-)	79	04
26	▶ (play)	79	02
27	▶ (skip+)	79	07
28	■ (stop)	79	56
29	SOURCE	79	6F
30	LAYER	79	6D
31	VOLUME+	7D	8D
32	VOLUME-	7D	8E
33	MUTE	7D	94
34	INPUT	7A	A3
35	INPUT	7A	A2

MEMO

MEMO



MEMO



CD-S2100

