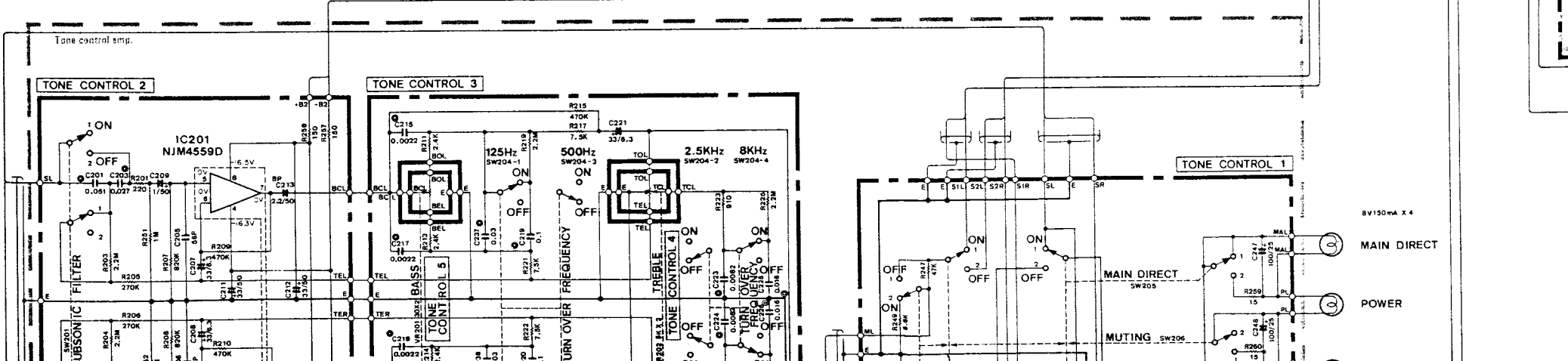
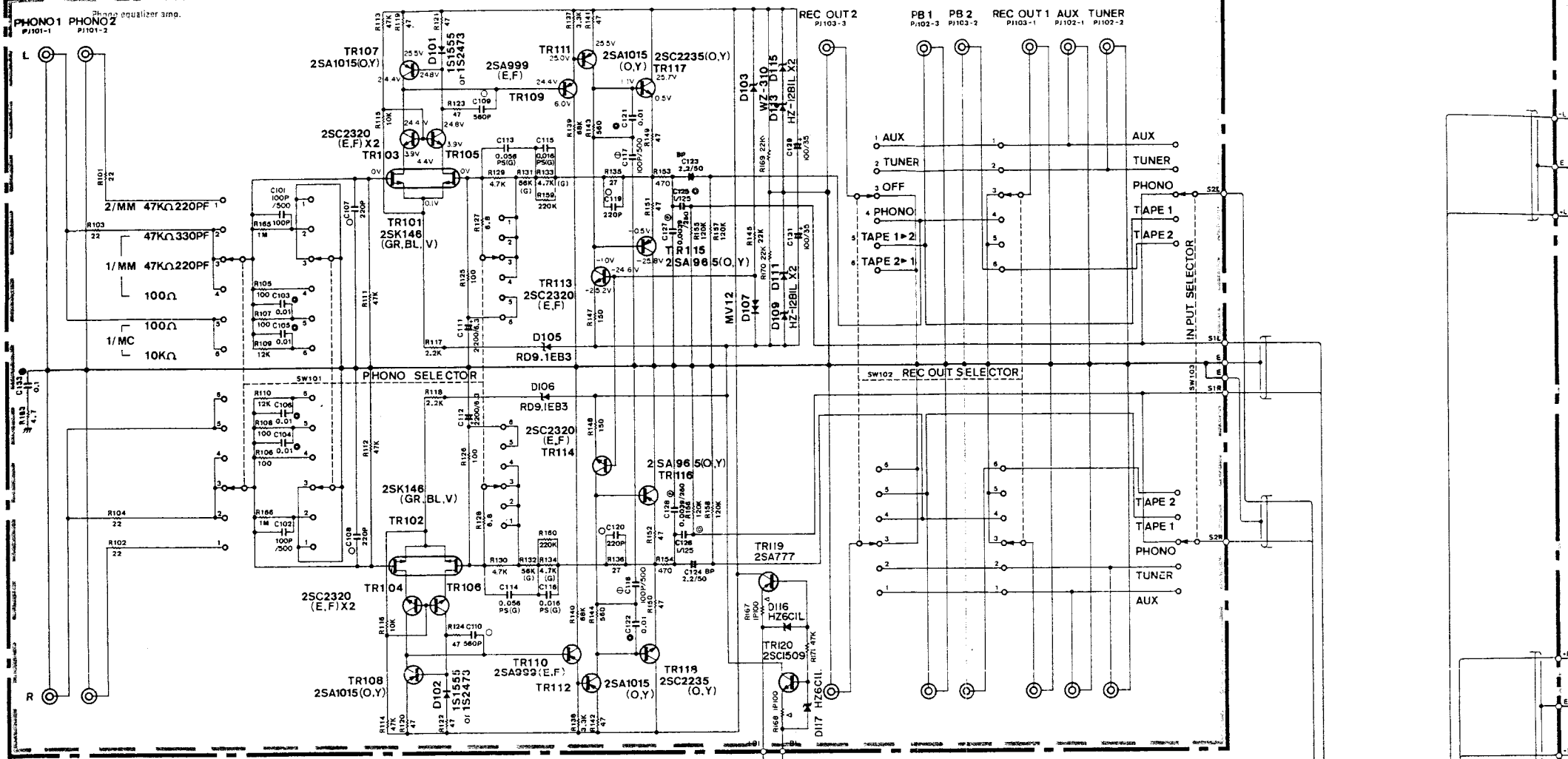
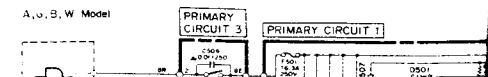
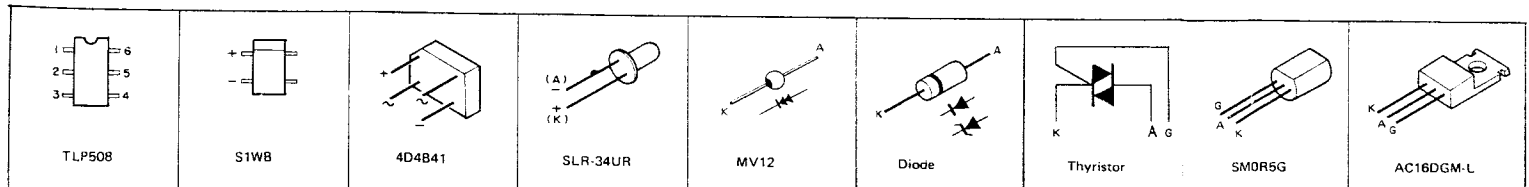
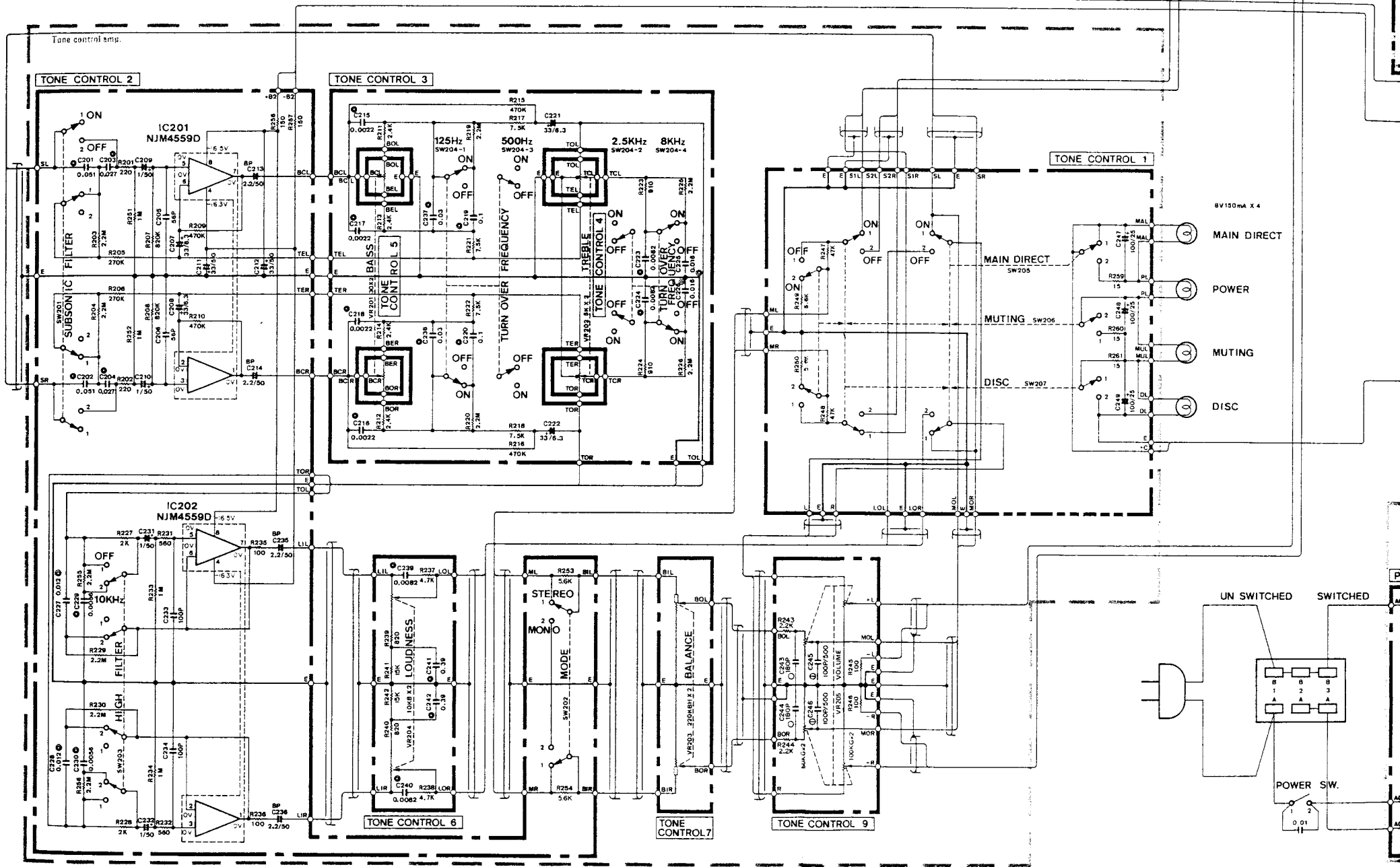
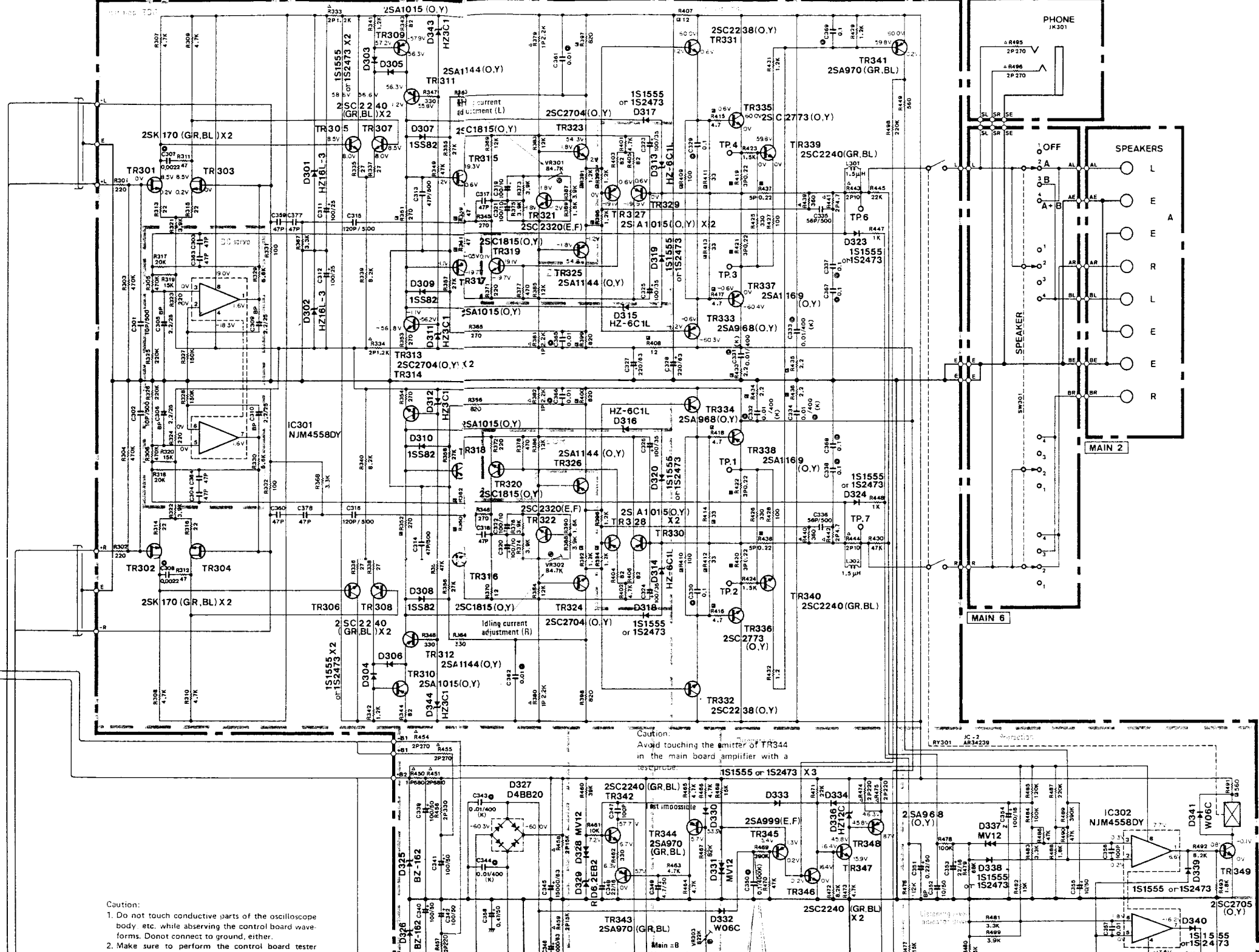


1
2
3
4
5



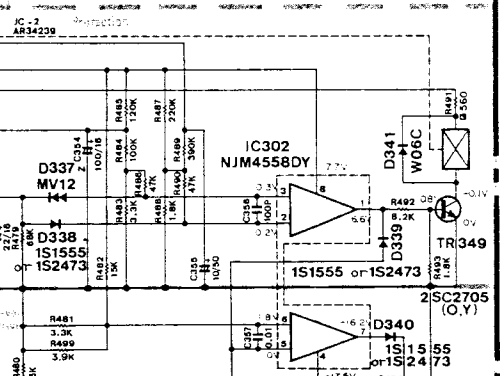
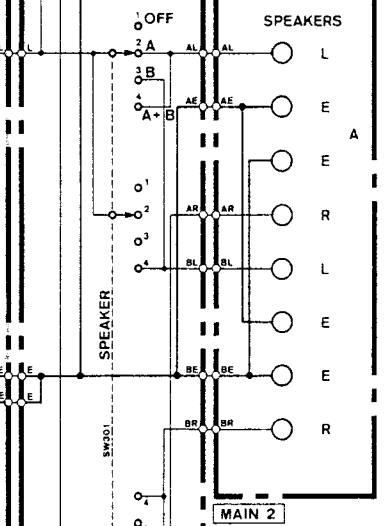
8V150 MA X 4
MAIN DIRECT
POWER





- Caution:
1. Do not touch conductive parts of the oscilloscope body, etc. while observing the control board waveforms. Don't connect to ground, either.
 2. Make sure to perform the control board tester check within the range of the voltage tester.

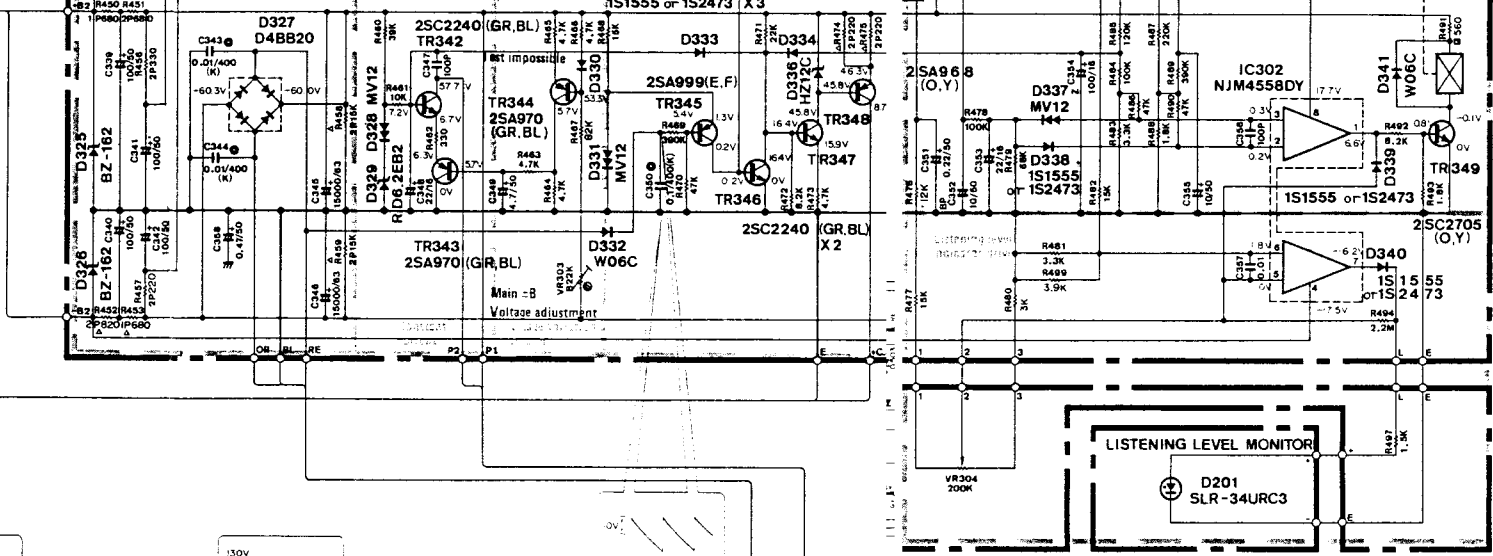
Caution:
 Avoid touching the emitter of TR344 in the main board amplifier with a test probe.



IRECT

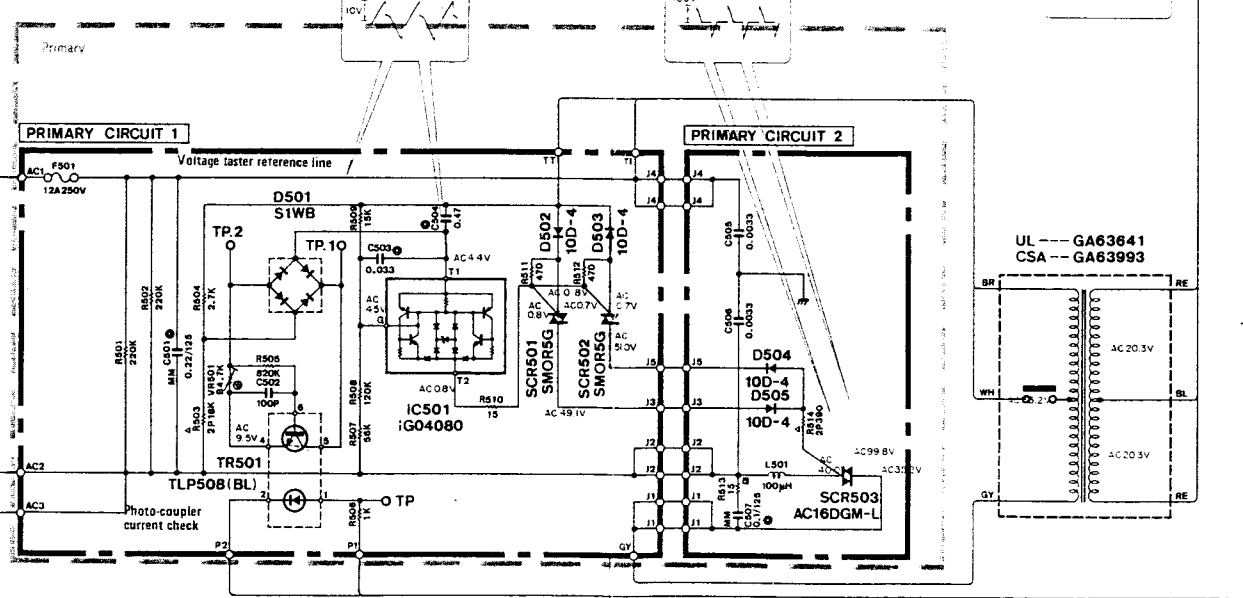
Caution:

1. Do not touch conductive parts of the oscilloscope body, etc. while observing the control board waveforms. Do not connect to ground, either.
2. Make sure to perform the control board tester check within the range of the voltage tester reference line.
3. To check the Triac, confirm the waveform at both sides of R515 (3P 1.2 k-ohms). The waveforms should match the diagram.



SWITCHED

POWER SW.



UL --- GA63841
CSA --- GA63993

CAPACITOR

SYMBOL	PARTS NAME
NO MARK	CERAMIC CAPACITOR
⊙	POLYESTER FILM CAPACITOR
○	POLYSTYRENE FILM CAPACITOR
⊖	MICA CAPACITOR
⊕	POLYPROPYLENE CAPACITOR
PS	P. S. CAPACITOR
NO MARK	ELECTROLYTIC CAPACITOR

RESISTOR

SYMBOL	PARTS NAME
NO MARK	CARBON FILM RESISTOR
△	METAL FILM RESISTOR
▲	METAL OXIDE FILM RESISTOR
■	FIRE PROOF CARBON FILM RESISTOR
■	METAL PLATE RESISTOR
□	CEMENT MOLDED RESISTOR
⊕	SEMI VARIABLE RESISTOR

