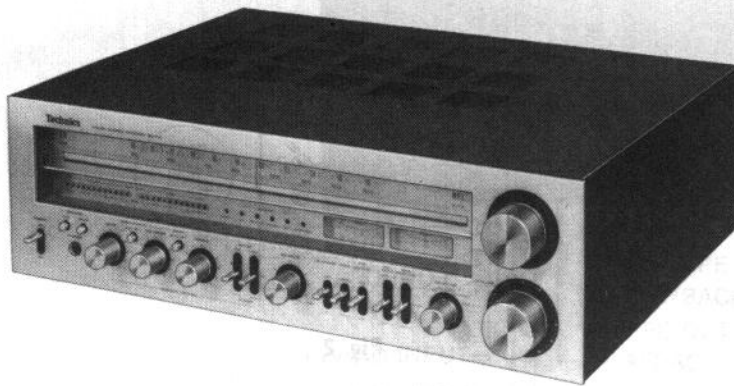


Service Manual

FM/AM STEREO RECEIVER

SA-700

(D), (XGH), (XGF), (XSW),
(XE), (XAL), (XA), (X)

- * The model SA-700 (D) is available in Scandinavia and European only.
- * The model SA-700 (XGH) is available in Holland only.
- * The model SA-700 (XGF) is available in France only.
- * The model SA-700 (XSW) is available in Switzerland only.
- * The model SA-700 (XE) is available in United Kingdom only.
- * The model SA-700 (XAL) is available in Australia only.
- * The models SA-700 (XA) and SA-700 (X) are available in Asia, Latin America, Middle East and Africa only.

* Cabinet colour differs according to destination.

TECHNICAL SPECIFICATIONS

Specifications are subject to change without notice for further improvement.

[DIN 45 500]

AMPLIFIER SECTION

1 kHz continuous power output		
both channels driven	2 x 120 W (4Ω), 2 x 110 W (8Ω)	
40 Hz ~ 16 kHz continuous power output		
both channels driven	2 x 110 W (4Ω), 2 x 100 W (8Ω)	
20 Hz ~ 20 kHz continuous power output		
both channels driven	2 x 110 W (4Ω), 2 x 100 W (8Ω)	
Power bandwidth		
both channels driven at 4Ω	10 Hz ~ 40 kHz (-3 dB)	
Total harmonic distortion		
rated power at 1 kHz	0.04% (4Ω, 8Ω)	
rated power at 40 Hz ~ 16 kHz	0.04% (4Ω, 8Ω)	
rated power at 20 Hz ~ 20 kHz	0.04% (4Ω, 8Ω)	
half power at 20 Hz ~ 20 kHz	0.025% (4Ω), 0.015% (8Ω)	
half power at 1 kHz	0.005% (4Ω, 8Ω)	
-26 dB power at 1 kHz	0.04% (4Ω)	
50 mW power at 1 kHz	0.2% (4Ω)	
Intermodulation distortion		
rated power at 250 Hz: 8 kHz = 4:1, 4Ω	0.04%	
rated power at 60 Hz: 7 kHz = 4:1, SMPTE, 8Ω	0.04%	
Damping factor	25 (4Ω), 50 (8Ω)	
Input sensitivity and impedance		
PHONO	2.5 mV/47 kΩ	
AUX	150 mV/47 kΩ	
PLAYBACK (TAPE 1), REC/PLAY input	180 mV/47 kΩ	
PLAYBACK (TAPE 2)	150 mV/47 kΩ	
MAIN IN	1 V/100 kΩ	
PHONO maximum input voltage (1 kHz, RMS)	200 mV	
S/N		
rated power at 4Ω	PHONO 75 dB (IHF, A: 83 dB)	
	AUX 88 dB (IHF, A: 95 dB)	
-26 dB power at 4Ω	PHONO 65 dB, AUX 70 dB	
50 mW power at 4Ω	PHONO 55 dB, AUX 55 dB	
Frequency response	PHONO RIAA standard curve	
	30 Hz ~ 15 kHz, ±0.2 dB	
	AUX 20 Hz ~ 20 kHz, +0 dB, -0.3 dB	
	10 Hz ~ 40 kHz, -1 dB	
Tone controls	BASS 50 Hz, +12 dB ~ -12 dB	
	TREBLE 20 kHz, +12 dB ~ -12 dB	
	MIDDLE 1 kHz, +7 dB ~ -7 dB	
Low boost at tone controls "0" position	100 Hz, +6 dB	
High boost at tone controls "0" position	10 kHz, +6 dB	
Low filter	100 Hz, -6 dB/oct.	
High filter	7 kHz, -6 dB/oct.	
Loudness control (volume at -30 dB)	50 Hz, +9 dB	
Output voltage and impedance		
PRE OUT	1 V/4.7 kΩ	
REC OUT (TAPE 1,2)	150 mV	
REC/PLAY output	30 mV/80 kΩ	

Channel balance (250 Hz ~ 6300 Hz), AUX	±1.0 dB
Channel separation at 1 kHz, AUX	63 dB
Headphones output level and impedance	500 mV/330Ω
Load impedance	MAIN or REMOTE 4 ~ 16Ω
	MAIN + REMOTE 8 ~ 16Ω

FM TUNER SECTION

Frequency range	88 ~ 108 MHz
Antenna terminals	300Ω (balanced), 75Ω (unbalanced)
Sensitivity (±40 kHz deviation)	
S/N 30 dB	1.8μV (300Ω), 1.3μV (75Ω)
S/N 26 dB	1.6μV (300Ω), 1.2μV (75Ω)
S/N 20 dB	1.5μV (300Ω), 0.9μV (75Ω)
IHF usable sensitivity	1.8μV (IHF '58)
IHF S/N 46 dB stereo quieting sensitivity	18μV (75Ω)
Total harmonic distortion	MONO 0.1%
	STEREO 0.2%
S/N (±40 kHz deviation)	MONO 60 dB (IHF: 77 dB)
	STEREO 58 dB (IHF: 73 dB)
Frequency response	20 Hz ~ 15 kHz, +0.2 dB, -0.8 dB
Alternate channel selectivity	80 dB
Capture ratio	1.0 dB
Image rejection at 98 MHz	85 dB
IF rejection at 98 MHz	100 dB
Spurious response rejection at 98 MHz	100 dB
AM suppression	60 dB
Stereo separation	1 kHz 45 dB, 10 kHz 35 dB
Leak carrier	19 kHz -60 dB (-65 dB, IHF)
	38 kHz -65 dB (-70 dB, IHF)
Limiting point	1.2μV
Bandwidth	IF amplifier 180 kHz
	FM demodulator 1000 kHz
Channel balance (250 Hz ~ 6300 Hz)	±1.5 dB

AM TUNER SECTION

Frequency range	525 ~ 1605 kHz
Sensitivity (S/N 20 dB)	30μV, 250μV/m
Selectivity	35 dB
Image rejection at 1000 kHz	50 dB
IF rejection at 1000 kHz	45 dB

GENERAL

Power consumption	850 W
Power supply (50 Hz/60 Hz)	110V/120V/220V/240V
Dimensions (W x H x D)	510 x 160 x 390 mm
	(20 3/8" x 6 3/16" x 15 3/8")
Weight	16.1 kg (35.5 lb.)

TECHNICAL GUIDE

Power-indication circuitry

The power amplifier output signal is attenuated by the sensitivity selector, and is applied to the logarithmic-compression circuitry. In this circuitry, as shown in figure 1, the output characteristics change logarithmically in relation to input, and the output is applied to the window comparator IC. Here, the pulse waveform becomes as shown in figure 2, and the indicator illuminates according to the input of the IC (the output of the power amplifier).

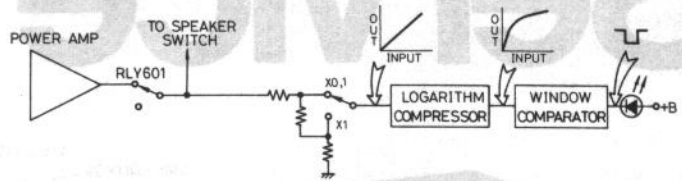


Fig. 1

Tone-control circuitry

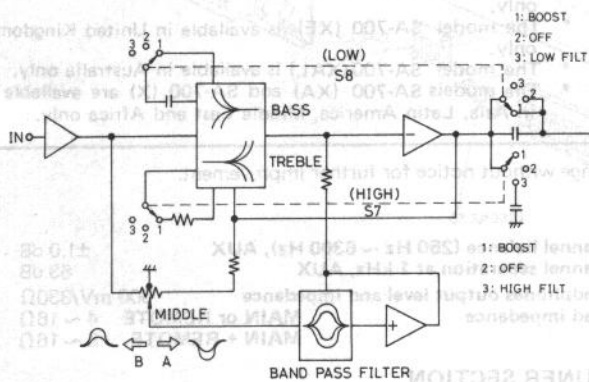


Fig. 3

ALIGNMENT INSTRUCTIONS (Main Amplifier Circuitry) — ENGLISH

Main amplifier (Ic) alignment Refer to fig. 4.

1. The "Ic" adjustment should be started about 5 minutes after setting the power switch to the ON position.
2. Speakers switch to "push" position.
3. Connect DC voltmeter between TP601 and ⊕ speaker terminal of right channel.
4. Adjust VR602 to 12 mV on DC voltmeter indication.
5. Connect DC voltmeter between Emitter (TR613) and ⊕ speaker terminal of left channel.
6. Adjust VR601 to 12 mV on DC voltmeter indication.

Power level indication alignment Refer to fig. 4.

1. Connect AC VTVM to speakers terminal. (Left and Right channels)
2. Power display switch to "ON" position and display range switch to "XO. 1" position.
3. Selector switch to "AUX" position.
4. Apply a 1 kHz signal to "AUX" terminal. (Left and Right channels)
5. Volume control to maximum position of set.
6. Adjust supply signal level to 12.6V ~ 12.7V output of speaker terminal.
7. Adjust VR801 (Left channel) and VR802 (Right channel) until "200W" indicator lights up.

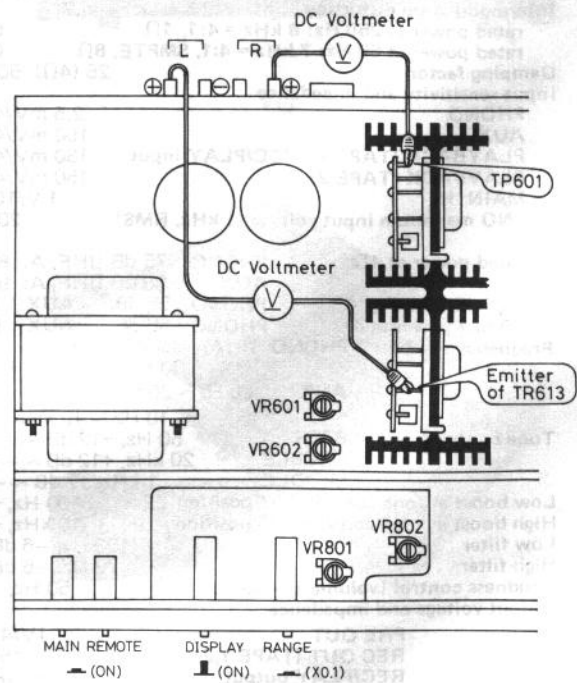
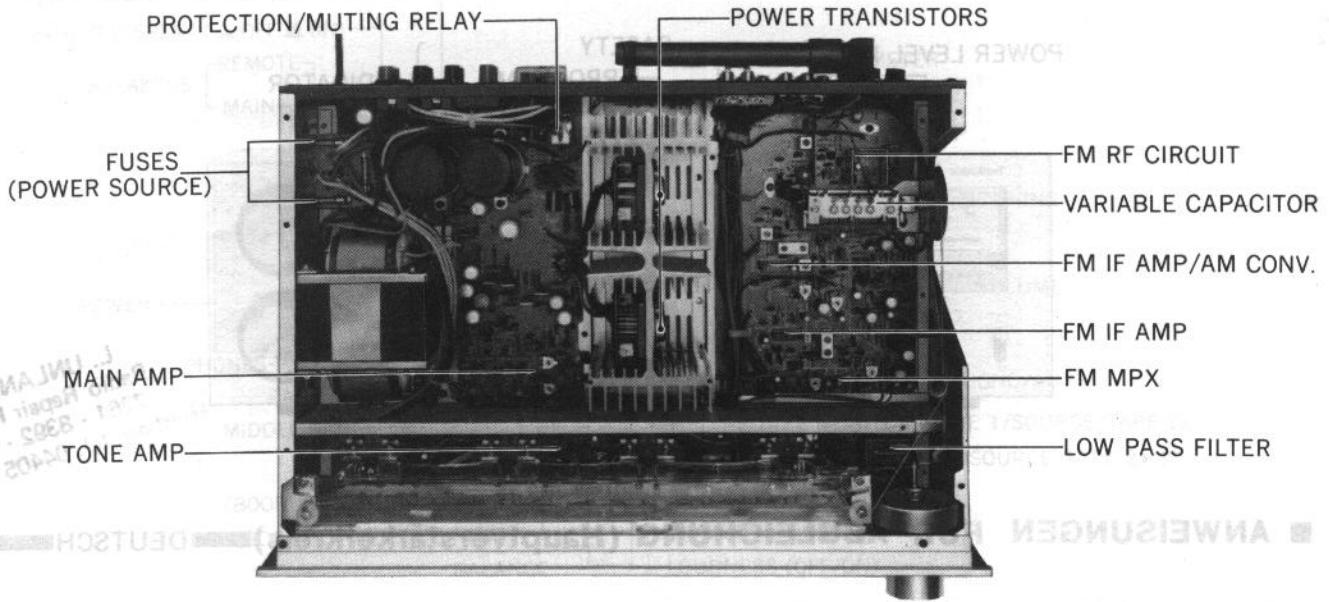


Fig. 4 (Abb. 4)

■ CHASSIS VIEW



■ **NOTE** The unit is provided with the speaker circuit protection fuses at the right and left channels respectively. The fuse is to prevent the power transistor from destruction, should the speaker terminals be short-circuited. Accordingly, if the unit fails to function upon completion of the speaker connections, check the speaker circuit protection fuses first of all for possible blowing.

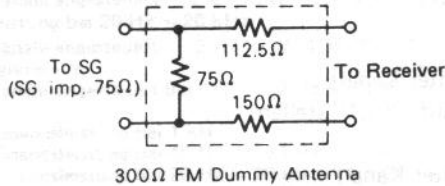


Fig. 5 (Abb. 5)

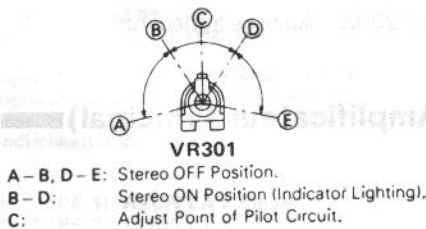


Fig. 6 (Abb. 6)

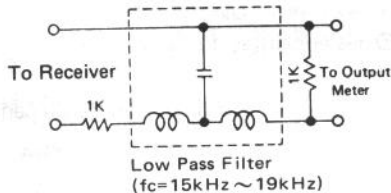
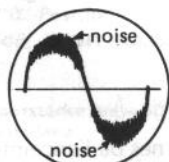


Fig. 7 (Abb. 7)



(SINE WAVE)
Fig. 8 (Abb. 8)

■ ALIGNMENT POINTS (FM/AM tuner circuitry)

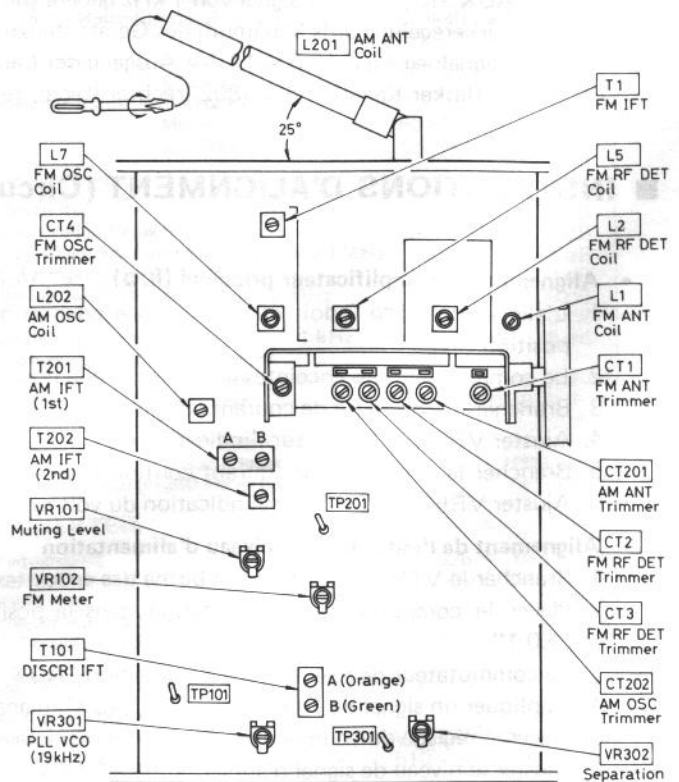
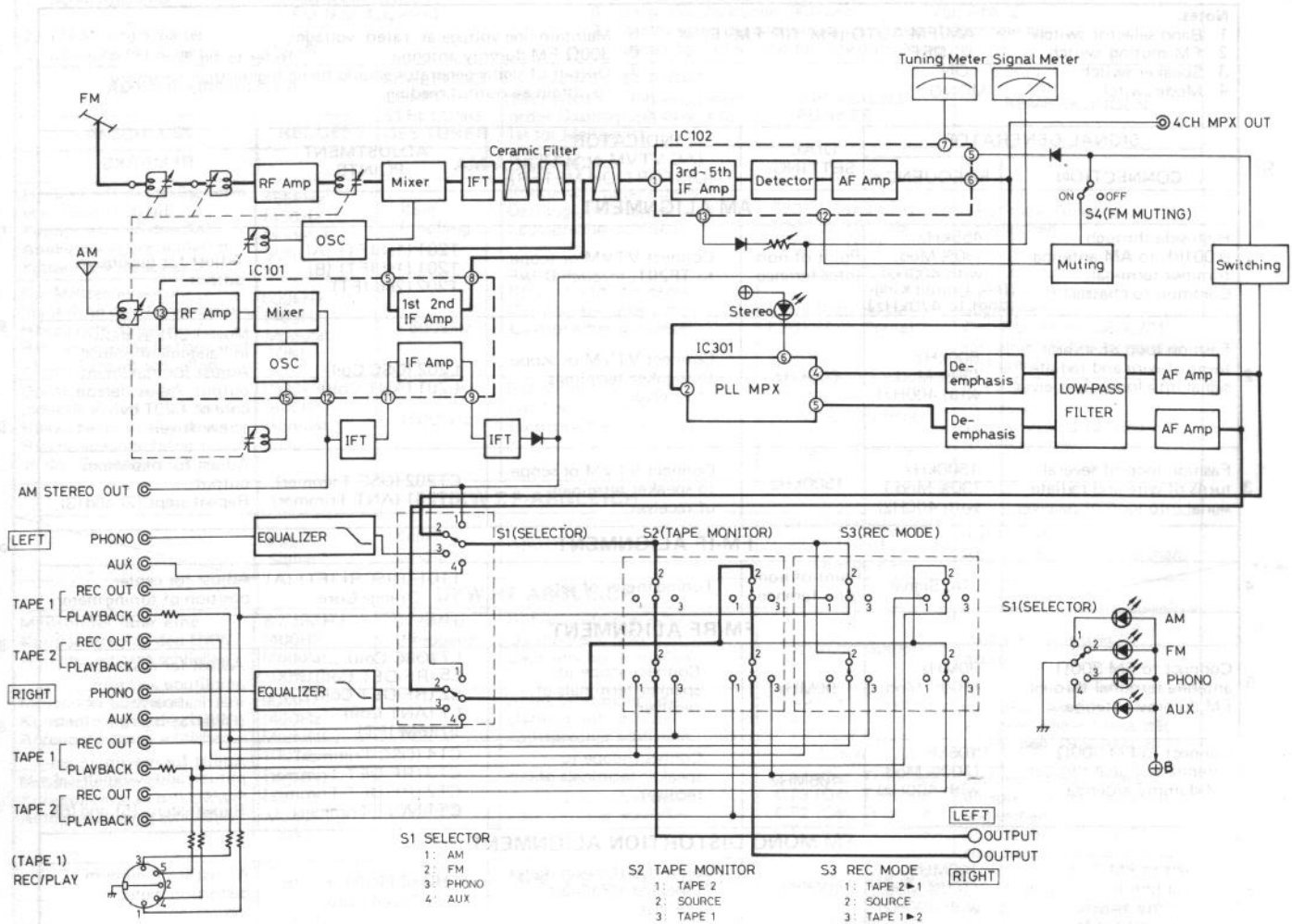


Fig. 9 (Abb. 9)

■ ALIGNMENT INSTRUCTIONS (FM/AM tuner circuitry) — ENGLISH

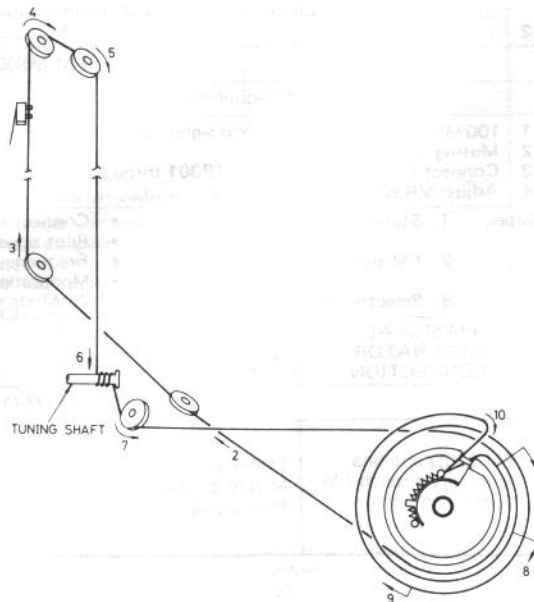
Notes:						
1. Band selector switch AM/FM AUTO (FM, RF FM-IF)		5. Maintain line voltage at rated voltage.			6. 300Ω FM dummy antenna Refer to fig. 5	
2. FM muting switch OFF		6. 300Ω FM dummy antenna Refer to fig. 5			7. Output of signal generator should be no higher than necessary to obtain an output reading.	
3. Speaker switch ON						
4. Mode switch MONO						
SIGNAL GENERATOR		DIAL SETTING	INDICATOR (AC VTVM or SCOPE) (DISTORTION METER)	ADJUSTMENT POINTS	REMARKS	
CONNECTION	FREQUENCY					
AM ALIGNMENT						
1	High side through 0.001μF to AM antenna trimmer terminal. Common to chassis.	455kHz (30% Mod. with 400Hz) (For United Kingdom to 470kHz)	Point of non-interference	Connect VTVM or scope to TP201. through 0.1μF	T201 (1st IFT) (A) T201 (1st IFT) (B) T202 (2nd IFT)	Adjust for maximum output.
2	Fashion loop of several turns of wire and radiate signal into loop of receiver	600kHz (30% Mod. with 400Hz)	600kHz	Connect VTVM or scope to speaker terminals of receiver.	L202 (OSC Coil) L201 (ANT Coil)	Move L201 as shown in "alignment points" Adjust for maximum output. Adjust ferrite core of L201 by screw driver.
3	Fashion loop of several turns of wire and radiate signal into loop of receiver	1500kHz (30% Mod.) with 400Hz)	1500kHz	Connect VTVM or scope to speaker terminals of receiver.	CT202 (OSC Trimmer) CT201 (ANT Trimmer)	Adjust for maximum output. Repeat steps (2) and (3).
FM-IF ALIGNMENT						
4		No Signal	Point of non-interference.	Tuning meter of set.	T101 (DISCRI IFT) (A) Orange Core	Adjust for center position of tuning meter.
FM-RF ALIGNMENT						
5	Connect to FM 300Ω antenna terminal through FM dummy antenna.	90MHz (100% Mod. with 400Hz)	90MHz	Connect scope to speaker terminals of receiver.	L7 (OSC Coil) L5 (RF-DET Coil) L2 (RF-DET Coil) L1 (ANT Coil) T1 (FM IFT)	Adjust for maximum amplitude and symmetrical curve. (Refer to fig. 8).
6	Connect to FM 300Ω antenna terminal through FM dummy antenna.	106MHz (100% Mod. with 400Hz)	106MHz	Connect scope to speaker terminals of receiver.	CT4 (OSC Trimmer) CT3 (RF DET Trimmer) CT2 (RF DET Trimmer) CT1 (ANT Trimmer)	Adjust for maximum amplitude and symmetrical curve. Repeat steps (5) and (6).
FM MONO DISTORTION ALIGNMENT						
7	Connect to FM 300Ω antenna terminal through FM dummy antenna. Apply 60 dB to set.	100MHz (100% Mod. with 400Hz)	100MHz	Connect distortion meter to speaker terminals of receiver.	T101 (DISCRI IFT) (B) Green Core	Adjust for minimum distortion meter indication
FM MUTING LEVEL ALIGNMENT						
8	Connect to FM 300Ω antenna terminal through FM dummy antenna. Apply 16dB (6.3μV) to set.	100MHz (100% Mod. with 400Hz)	100MHz	Connect VTVM or scope to speaker terminals.	VR101	FM muting switch to "ON". Adjust so that output can be obtained.
FM SIGNAL METER ALIGNMENT						
9	1 Apply 100MHz FM signal of 100dB (400Hz 30% modulation) to FM 300Ω antenna terminal through FM dummy antenna. 2 Tuning at 100MHz.			3 Adjust VR102 for about 4.7 point of signal meter indication.		
FM MPX PILOT ALIGNMENT						
Using a frequency counter			Using alternate system			
10	1 100 MHz Non-modulated mono signal applied to set. 2 Muting switch to "ON" 3 Connect frequency counter to TP301 through resistor (100kΩ). 4 Adjust VR301 to 19kHz, ±30Hz.			1 Apply stereo signal from generator or stereo station to receiver. 2 Adjust VR301 until stereo indicator lights up. Cement arm of VR301 as shown in fig. 6.		
Notes: <ul style="list-style-type: none"> 1. Stereo modulator • Connect stereo modulator output to EXT MOD terminal of signal generator. 2. FM signal generator • Pilot signal modulation to "10%" 3. Selector switch to "FM AUTO" • Frequency approximately 100MHz/Output level to "72dB (IHF)" 4. Mode switch to "STEREO" • Modulation mode to "FM" 						
FM SIGNAL GENERATOR CONNECTION	STEREO MODULATOR MODE & MOD. RATE	INDICATOR (AC VTVM)	ADJUSTMENT POINTS	REMARKS		
FM STEREO SEPARATION ALIGNMENT						
11	FM 300Ω antenna terminals through FM dummy antenna.	(1kHz 30% Modulation) MODE L (and R) Pilot signal to "ON"	Connect VTVM to speaker terminals through low pass filter. (Refer to fig. 7)	VR302	• Tuning at 100MHz. • Make adjustment so that, when the antenna input is subjected to L modulation (or R modulation), R channel output (or L channel output) becomes minimum.	

■ BLOCK DIAGRAM FM/AM Tuner and tape monitor selection circuitry



■ DIAL CORD INSTALLATION GUIDE

- For threading a fresh cord, proceed as follows.
 1. Prepare a fresh cord more than 220cm (86-3/8") in length.
 2. Bring the variable capacitor into a state where the drum is completely turned to the right (maximum capacity and lowest frequency for the variable capacitor).
 3. Direct the cord in the order from 1 to 10.
 4. Stretch the cord in such a tension as the spring length is elongated by 1.5 times that of the original state.
 5. Fix the knot of the cord with the bond.



REPLACEMENT PARTS LIST Electric Parts

NOTES: 1. Part numbers are indicated on most mechanical parts. Please use this part number for parts orders.
 2. **S** indicates that only parts specified by the manufacturer be used for safety.

Ref. No.	Part No.	Part Name & Description	Part No.	Part Name & Description	Per Set	Remarks
TR801, 802	2SA666A1-R	Transistor, Logarithm Compressor (Use in ranks P, Q or R)			2	
TR803, 804, 805, 806	2SC1328-T	Transistor, Logarithm Compressor (Use in ranks S, T or U)			4	
TR807	2SC1398-Q	Transistor, Regulator (Use in ranks P, Q or R)			1	
TR901, 902	2SC1328-T	Transistor, Power Amp DC Detector (Use in ranks S, T or U)			2	
TR903	2SC945-R	Transistor, Relay Switching (Use in P1, P2 or R)			1	
TR904	2SC1509-R	Transistor, Relay Driver (Use in ranks Q or R)			1	
DIODES						
D101, 102, 103	MA150	Diode, Switching			6	
D104	SVDKB262E	Diode, Meter Detector			1	
D201, 202, 203	OA99	Diode, AM Detector & AGC			3	
D303	SVDMZ312C	Diode, 12V Zener			1	
D304	LN35BP	Light Emitting Diode, Safety Indicator			1	
D305, 306, 307, 308, 309	LN25RP	Light Emitting Diode, Program Indicator			5	
D601, 602	SVDMA26-1	Diode, Current Mirror			2	
D701	SVDS15VB20	Rectifier	S		1	
D702	SM112	Rectifier	S		1	
D703	SVDMZ336B	Diode, Zener, 36V			1	
D704	SVDMZ330B	Diode, Zener, 30V			1	
D801	SVDMZ214A	Diode, Zener, 14V			1	
D803 ~ D810	LN26RP	Light Emitting Diode, Red			8	
D811 ~ D818	LN46YP	Light Emitting Diode, Orange			8	
D819 ~ D826	LN36BP	Light Emitting Diode, Green			8	
D901, 902	SM112	Relay Diode & Rectifier			2	
COILS and TRANSFORMERS						
L1	SLA4P25	Coil, FM Antenna			1	
L2	SLD4P9	Coil, FM RF Detector			1	
L3, 4	RLQY25S2	Coil, Choke			2	
L5	SLD4P15	Coil, FM RF Detector			1	
L6	RLQY15G5	Coil, Choke			1	
L7	SLO4P31	Coil, FM Local Oscillator			1	
L101	SLQX180-2	Coil, Choke			1	
L201	SFL2D45	Coil, AM Bar Antenna (w/Mounting)			1	
L202	SLO2G9	Coil, AM Local Oscillator			1	
L203	SLQX101-2D	Coil, Choke			1	
L601, 602	SLQY15G-3U	Coil, Power Amplifier Output			2	
T1	SLI4C109	Transformer, FM IF			1	
T101	SLI4D513-3	Transformer, FM IF			1	
T201	SLI7C101-T	Transformer, AM IF (455 kHz)			1	
T201 (XE) only	SLI7Z103-T	Transformer, AM IF (470 kHz)			1	
T202	SLI2C413	Transformer, AM IF			1	
T301	SLMA1Z3-Z	Transformer, Low Pass Filter			1	
T701	SLT5S27-W	Transformer, Power	S		1	

Ref. No.	Part No.	Part Name & Description	Part No.	Part Name & Description	Per Set	Remarks
INTEGRATED CIRCUITS						
IC101	AN217-BB	IC, FM IF Amplifier & AM Converter			1	
IC102	AN377	IC, FM IF Amplifier & FM Detector			1	
IC301	AN363	IC, FM Multiplex			1	
IC801, 802	SVIMS1901P	IC, Window Comparator			2	
TRANSISTORS						
TR1	3SK40-M	Transistor, [FET] FM RF Amplifier			1	
TR2	2SC1047-C	Transistor, FM Mixer (Use in ranks C or D)			1	
TR4	2SC1675-L1	Transistor, Local Oscillator			1	
TR5	2SK49-H1	Transistor, [FET] Buffer			1	
TR101, 102, 103, 105, 106, 201, 202	2SC1328-T	Transistor, Muting Switching (Use in ranks S, T or U)			7	
TR104	2SA666A1-R	Transistor, Muting Switching			1	
TR301, 302	2SA902S-F	Transistor, AF Amplifier (Use in ranks Q, R or S)			2	
TR303	2SC1398-Q	Transistor, Regulator (Use in ranks F or G)			1	
TR401, 402	SVTM47LP	Transistor, Equalizer Amplifier (Use in ranks P, Q or R)			2	
TR403, 404	2SC1328-T	Transistor, Equalizer Amplifier (Use in ranks S or T)			2	
TR405, 406	2SA720-R	Transistor, Equalizer Amplifier (Use in ranks Q or R)			2	
TR501, 502, 503, 504, 505, 506, 507, 508	2SC1328-T	Transistor, Tone Amplifier (Use in ranks S or T)			8	
TR601, 602	2SA798A-G2	Transistor, Differential Amplifier (Use in ranks F2 or G2)			2	
TR603, 604	2SC1328-T	Transistor, Current Mirror (Use in ranks S or T)			2	
TR605, 606	2SC1628-0	Transistor, Pre Driver (Use in ranks Y or O)			2	
TR607, 608	2SC945-R	Transistor, Thermal Compensation (Use in ranks P1, P2 or R)			2	
TR609, 610	2SC1913A-R	Transistor, Drive Amplifier (Use in ranks R or Q)			2	
TR611, 612	2SA913A-R	Transistor Drive Amplifier (Use in ranks R or Q) (Use pair ranks as same as TR609, 610 and TR612.)			2	
TR613, 615, 617, 619, 618, 620	2SD427A-R	Transistor, Power Amplifier (Use in ranks O or R)			4	
	2SB557A-R	Transistor, Power Amplifier (Use in ranks O or R)			4	
TR701	2SD381-L	Transistor, Regulator (Use in ranks O or R)			1	
TR702	2SB536-L	Transistor, Regulator (Use in ranks L or M) (Use pair ranks as same as TR613 ~ TR619 and TR620.)			1	

Ref. No.	Part No.	Part Name & Description	Part No.	Part Name & Description	Per Set	Remarks
CERAMIC FILTERS						
CVFE107MM-A		Ceramic Filter, Post. 10.7MHz				
SWITCHES						

Ref. No.	Part No.	Part Name & Description	Per Set	Remarks
SWITCHES				
S1	ESRM164F25A	Switch, Selector	1	
S2, 3	SSL95	Switch, Tape Monitor & Recording Mode	2	
S4, 6	SSL97	Switch, Loudness & FM Muting	2	
S5	SSL99	Switch, Mode	1	
S7, 8	SSL93	Switch, Low & High Filter	2	
S9, 10	SSH223S	Switch, Speakers (Main & Remote)	1	
S13	SSL103	Switch, Power Source	1	
S14	SSR53S	Switch, Voltage Adjuster	1	
S15, 17	SSH63S	Switch, Sensitivity & Display OFF	2	

NOTES 2:
 Guide letters of Resistor and Capacitor indicate;

Resistors
 ERD Carbon
 ERO Metal film
 ERF Non-flammable
 ERG Metal oxide
 ERX Metal film
 ERC Solid

Capacitors
 ECC Ceramic
 ECK Ceramic
 ECQ Polypropylene
 ECOP Polypropylene
 ECQM Polyester
 ECQS Polystyrene
 ECN Paper
 ECE Non-Polar Electrolytic
 ECE Electrolytic

Ref. No.	Part No.	Part Name & Description	Per Set	Remarks
CERAMIC FILTERS				
CF101, 102	SVFE107MM-A	Ceramic Filter, Red, 10.7MHz	each 2	○
	SVFE107MM-B	Ceramic Filter, Blue, 10.67MHz		
	SVFE107MM-C	Ceramic Filter, Orange, 10.73MHz		
	SVFE107MM-D	Ceramic Filter, Black, 10.64MHz		
	SVFE107MM-E	Ceramic Filter, White, 10.76MHz		
	SVFE107ML-A	Ceramic Filter, Red, 10.7MHz		
CF103	SVFE107ML-B	Ceramic Filter, Blue, 10.67MHz	each 1	○
	SVFE107ML-C	Ceramic Filter, Orange, 10.73MHz		
	SVFE107ML-D	Ceramic Filter, Black, 10.64MHz		
	SVFE107ML-E	Ceramic Filter, White, 10.76MHz		
		(Use pair ranks as same as CF101, CF102 and CF103.)		

THERMISTORS
 Thermistor, Driver Amplifier Circuit
 Thermistor, Output Indicator Circuit

VARIABLE RESISTORS
 Muting Level Adjustment, 100kΩ(B)
 FM Meter Adjustment, 20kΩ(B)
 PLL VCO Adjustment, 10kΩ(B)
 Separation Adjustment, 10kΩ(B)
 Bass & Treble Control, 100kΩ(B)
 Middle Control, 100kΩ(B)
 Icq Adjustment, 500Ω(B)
 LED Lighting Level Adjustment, 20kΩ(B)
 Volume Control, 250kΩ(B)
 Balance Control, 250kΩ(BH)

Ref. No.	Part No.	Part Name & Description	Per Set	Remarks
TH601, 602	RRT251	Thermistor, Driver Amplifier Circuit	2	
TH801, 802	ERTD2FHL103S	Thermistor, Output Indicator Circuit	3	

VARIABLE CAPACITOR
 Variable Capacitor, with Trimmer

Ref. No.	Part No.	Part Name & Description	Per Set	Remarks
RESISTORS				
R1, 2	ERD50TJ104	(The products for [XAL] are not provided.)		
R3	ERD25TJ663			
R4	ERD25TJ223			
R5	ERD25TJ181			
R6	ERD25TJ562			
R7	ERD25TJ333			
R8	ERD25TJ102			
R9, 10	ERD25TJ181			
R15	ERD25TJ100			
R16	ERD25TJ681			
R17, 18	ERD25TJ223			
R19	ERD25TJ102			
R20	ERD25TJ333			
R21	ERD25TJ102			
R101	ERD25TJ102			
R102, 103	ERD25TJ331			
R104	ERD25TJ823			
R105	ERD25TJ331			
R106	ERD25TJ102			
R107	ERD25TJ274			
R108	ERD25TJ104			
R109	ERD25TJ101			
R110	ERD25TJ221			
R111	ERD25TJ822			
R112	ERD25TJ392			
R113	ERD25TJ562			
R114	ERD25TJ272			

Ref. No.	Part No.	Part Name & Description	Per Set	Remarks
CV1,2,3,4	ECVC763J124AS	Variable Capacitor, with Trimmer	1	
201, 202				
(CT1,2,3,4)				
(CT201, 202)				

Ref. No.	Part No.	Part Name & Description	Per Set	Remarks
COMPONENT COMBINATIONS				
Z201	EXRF203Z471S	Component Combination, AM Detector	1	
Z701, 702	EXRF5203ZS	Component Combination, Rectifier	2	

Ref. No.	Part No.	Part Name & Description	Per Set	Remarks
RELAY				
RLY601	SSY19-1	Relay, Protection & Muting	1	

Ref. No.	Part No.	Part Name & Description	Per Set	Remarks
FUSES				
F1	XBA2C63TRO	Fuse, T6.3A (250V), Primary	1	
F2	XBA2C20TRO	Fuse, T 2A (250V), Lamp	1	
F3	XBA2C16TRO	Fuse, T 1.6A (250V), RF Circuit	1	
F4	XBA2C31TRO	Fuse, T3.15A (250V), Primary	1	
F601, 602	XBA2C50SSO	Fuse, 5A (250V), Speaker Circuit	2	

Ref. No.	Part No.	Part Name & Description	Per Set	Remarks
LAMPS				
PL1, 2, 3, 4	XAMR62S	Lamp, Dial (6.3V 0.25A)	4	

Ref. No.	Part No.	Part Name & Description	Per Set	Remarks
RESISTORS				
R15	ERD25TJ181			
R16	ERD25TJ103			
R118	ERD25TJ274			
R119	ERD25TJ331			
R120	ERD25TJ223			
R121	ERD25TJ563			
R122	ERD25TJ224			
R123	ERD25TJ333			
R124	ERC14GK825			
R125, 126	ERD25TJ103			
R127	ERD25TJ223			
R128	ERD25TJ104			
R129	ERD25TJ683			
R201	ERD25TJ152			
R202	ERD25TJ562			
R203	ERD25TJ181			
R204	ERD25TJ392			
R205	ERD25TJ274			
R206, 207	ERD25TJ333			
R208	ERD25TJ104			
R209	ERD25TJ393			
R210	ERD25TJ333			
R211	ERD25TJ472			
R212	ERD25TJ332			
R213	ERD25TJ104			
R214	ERD25TJ272			
R215	ERD25TJ472			
R216	ERD25TJ682			

Ref. No.	Part No.	Part Name & Description	Per Set	Remarks
RESISTORS				
R1, 2	ERD50TJ104	(The products for [XAL] are not provided.)		
R3	ERD25TJ663			
R4	ERD25TJ223			
R5	ERD25TJ181			
R6	ERD25TJ562			
R7	ERD25TJ333			
R8	ERD25TJ102			
R9, 10	ERD25TJ181			
R15	ERD25TJ100			
R16	ERD25TJ681			
R17, 18	ERD25TJ223			
R19	ERD25TJ102			
R20	ERD25TJ333			
R21	ERD25TJ102			
R101	ERD25TJ102			
R102, 103	ERD25TJ331			
R104	ERD25TJ823			
R105	ERD25TJ331			
R106	ERD25TJ102			
R107	ERD25TJ274			
R108	ERD25TJ104			
R109	ERD25TJ101			
R110	ERD25TJ221			
R111	ERD25TJ822			
R112	ERD25TJ392			
R113	ERD25TJ562			
R114	ERD25TJ272			

CVA9C11052

No. 7

Ref. No.	Part No.	Part No.	Ref. No.
R200	ERD25TJ471	ECEA1ES470	C301
R301	ERD25TJ472	ECEA50Z3R3	C302
R302, 303	ERD25TJ392	ECQM1H183JZ	C303, 304
R304	ERD25TJ392	EQS05471JZ	C305
R305	ERD25TJ823	ECEA2ASR47	C306, 307
R306	ERD25TJ102	ECQM1H473KZ	C308
R307	ERD25TJ103		
R308, 309	ERD25TJ472	ECEA50Z1	C309
R310	ERD25TJ680	ECEA1ES470	C310
R311, 312	ERD25TJ332	ECEA50Z2R22	C311, 312
R313, 314	ERD25TJ392	ECEA1ES101	C313
R315, 316	ERD25TJ271	ECKD1H103ZF	C314
R317, 318	ERD25TJ104	ECEA1ES470	C315, 316
R319	ERD14FJ100	ECQM1H333KZ	C317, 318
R320	ERD14FJ122	ECEA50M3R3R	C319, 320
R321	ERD25TJ181	ECEA50M3R3R	C401, 402
R322, 323	ERD25TJ472	ECQM1H222KZ	C403, 404
R324, 325	ERD25TJ102		
R326, 327	ERD25TJ153	ECKD1H471KB	C405, 406
R328	ERD25TJ471	ECDD1H220KC	C407, 408
R401, 402	ERD25TJ470	ECDD1H150KC	C409, 410
R403, 404	ERO25CKG2203	ECEA1CS330	C411, 412
R405, 406	ERO25CKG5602	ECEA1A3331	C413, 414
R407, 408	ERO25CKG8202	ECQP1393GZ	C415, 416
R409, 410	ERO25CKG1502	ECQP1038GZ	C417, 418
R411, 412	ERD25TJ821	ECQM1H102JZ	C419, 420
R413, 414	ERD25TJ123	ECEA50M2R2R	C421, 422
R415, 416	ERD25TJ103	ECEA1JS330	C423, 424
R417	ERD25TJ103		
R419	ERD25TJ561		
R421, 422	ERO25CKG2201	ECQM1H102KZ	C425, 426
R423, 424	ERD25TJ122	ECEA1HS470	C427, 428
R425, 426	ERO25CKF8202	ECEA50M4R7R	C501, 502
R427, 428	ERO25CKF6801	ECKD1H331KB	C503, 504
R429, 430	ERO25CKG2203	ECEA50M3R3R	C505, 506
R431, 432	ERD25TJ680	ECQM1H823KZ	C507, 508
R433, 434	ERD25TJ151	ECQM1H223KZ	C509, 510
R501, 502	ERD25TJ394	ECQM1H152KZ	C513, 514
R503, 504	ERD25TJ331	ECQM1H392KZ	C515, 516
R505, 506	ERO25CKG3922		
R507, 508	ERO25CKF5231	ECQM1H392KZ	C517, 518
R509, 510	ERO25CKG3321	ECQM1H392KZ	C519, 520
R511, 512	ERO25CKG3320	ECQM1H392KZ	C521, 522
R513, 514	ERD25TJ153	ECEA50M4R7R	C523, 524
R515, 516	ERD25TJ153	ECEA1ES470	C525, 526
R517, 518	ERD25TJ153	ECDD1H470K	C527, 528
R519, 520	ERD25TJ122	ECEA1A3221	C529, 530
R521, 522	ERD25TJ153	ECEA50M1R	C531, 532
R523, 524	ERD25TJ272	ECQM1H562KZ	C533, 534
R525, 526	ERD25TJ333	ECQM1H273KZ	C535, 536
R527, 528	ERD25TJ333	ECEA50M4R7R	C537, 538
R529, 530	ERD25TJ333	ECEA1VS221	C539
R531, 532	ERO25CKG3322	ECEA1ES101	C540
R533, 534	ERD25TJ563	ECKD1H331KB	C541, 542
R535, 536	ERD25TJ823	ECEA50M1R	C601, 602
R537, 538	ERD25TJ104	ECDD1H181K	C603, 604
R539, 540	ERD25TJ272	ECDD1H101K	C605, 606
		ECKD1H331KB	C607, 608
		ECEA1CS330	C609, 610

No. 6

Ref. No.	Part No.	Part No.	Ref. No.
C1, 2	CAPACITORS	ECCD1H150KC	C103
C3		ECDD1H150KC	C104, 105
C4		ECGN50100K	C106, 107
C5		ECDD1H180KC	C108
C6		ECDD1H102ZF	C109
C7		ECDD1H102MDA	C110
C8		ECDD1H120KC	C111
C9		ECDD1H030CC	C112
C10		ECDD1H050CC	C113, 114
C11		ECDD1H181K	C115
C12		ECDD1H103ZF	
C14, 15		ECDD1H223ZF	
C17		ECDD1H220KR	
C18		ECDD1H070DC	
C19		ECDD1H390KC	
C20		ECDD1H150KC	
C21		ECDD1H030CC	
C22		ECDD1H102ZF	
C23		ECDD1H030CC	
C24		ECDD1H102ZF	
C90,91(XAL)only		ECQDHS101MB	
C101, 102		ECDD1H223ZF	
C103	ECEA50Z1		
C104, 105	ECDD1H223ZF		
C106, 107	ECEA50Z3R3		
C108	ECDD1H680K		
C109	ECEA2ASR47		
C110	ECDD1H223ZF		
C111	ECEA1HS100		
C112	ECDD1H223ZF		
C113, 114	ECDD1H103ZF		
C115	ECEA1A3331		
C116	ECEA50Z2R22		
C117	ECDD1H103ZF		
C118	ECEA50Z1		
C119	ECDD1H223ZF		
C120	ECDD1H181K		
C121	ECDD1H020CC		
C122	ECEA1JS4R7		
C201	ECDD1H150KC		
C203, 204	ECDD1H103ZF		
C205	ECDD1H103MD		
C206	ECQSO5361JZ		
C207 (XAL) only	ECQDHS102MD		
C208	ECEA50Z3R3		
C209	ECDD1H331KB		
C210	ECDD1H390KC		
C211, 212	ECDD1H103ZF		
C213	ECEA1HS100		
C214	ECQM1H223KZ		
C215	ECEA50Z3R3		
C216	ECQM1H223KZ		
C217	ECDD1H102ZF		
C220	ECQM1H223KZ		

No. 5

Ref. No.	Part No.	Part No.	Ref. No.
R807, 808	ERD25TJ222	ERD25TJ222	R807, 808
R809, 810	ERD25TJ223	ERD25TJ223	R809, 810
R811, 812	ERD25TJ274	ERD25TJ274	R811, 812
R813, 814	ERD25TJ562	ERD25TJ562	R813, 814
R815, 816	ERD25TJ822	ERD25TJ822	R815, 816
R817, 818	ERD25TJ122	ERD25TJ122	R817, 818
R819, 820	ERD25TJ181	ERD25TJ181	R819, 820
R821, 822	ERD25TJ101	ERD25TJ101	R821, 822
R823, 824	ERD25TJ683	ERD25TJ683	R823, 824
R825	ERD12FJ100	ERD12FJ100	R825
R826	ERD25TJ332	ERD25TJ332	R826
R827	ERD25TJ123	ERD25TJ123	R827
R828	ERD25TJ682	ERD25TJ682	R828
R829	ERD25TJ824	ERD25TJ824	R829
R831, 832	ERD25TJ123	ERD25TJ123	R831, 832
R837, 838	ERD25TJ681	ERD25TJ681	R837, 838
R839, 840	ERD25TJ681	ERD25TJ681	R839, 840
R841, 842	ERD25TJ681	ERD25TJ681	R841, 842
R843, 844	ERD25TJ681	ERD25TJ681	R843, 844
R845, 846	ERD25TJ181	ERD25TJ181	R845, 846
R847, 848	ERD25TJ181	ERD25TJ181	R847, 848
R849, 850	ERD25TJ181	ERD25TJ181	R849, 850
R851, 852	ERD25TJ181	ERD25TJ181	R851, 852
R853, 854	ERD25TJ181	ERD25TJ181	R853, 854
R855, 856	ERD25TJ181	ERD25TJ181	R855, 856
R857, 858	ERD25TJ181	ERD25TJ181	R857, 858
R859, 860	ERD25TJ181	ERD25TJ181	R859, 860
R901, 902	ERD25TJ183	ERD25TJ183	R901, 902
R903	ERD25TJ682	ERD25TJ682	R903
R904	ERD25TJ332	ERD25TJ332	R904
R905	ERD25TJ473	ERD25TJ473	R905
R906	ERD25TJ472	ERD25TJ472	R906
R907	ERD25TJ333	ERD25TJ333	R907
R908	ERD25TJ824	ERD25TJ824	R908
R909	ERD25TJ563	ERD25TJ563	R909
R910	ERD25TJ393	ERD25TJ393	R910
R911	ERG2ANJ681	ERG2ANJ681	R911
R912	ERD25TJ182	ERD25TJ182	R912
R1005, 1006	ERD25TJ472	ERD25TJ472	R1005, 1006
R1007	ERD25TJ394	ERD25TJ394	R1007
R1008	ERD25TJ472	ERD25TJ472	R1008
R1009	ERD25TJ394	ERD25TJ394	R1009
R1010, 1011	ERD25TJ274	ERD25TJ274	R1010, 1011
R1012, 1013	ERD25TJ274	ERD25TJ274	R1012, 1013
R1110	ERD25TJ472	ERD25TJ472	R1110
R1111, 1112	ERD25TJ104	ERD25TJ104	R1111, 1112

No. 4

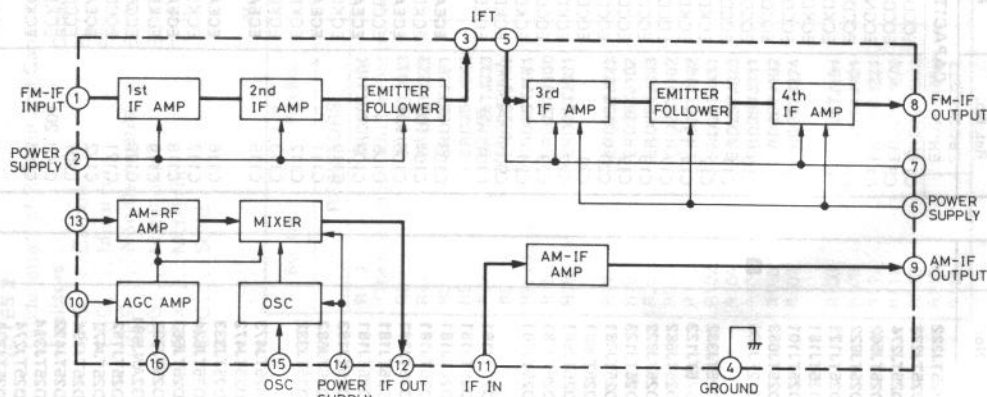
Ref. No.	Part No.	Part No.	Ref. No.
R541, 542	ERO25CKG1783	ERO25CKG1783	R541, 542
R543, 544	ERO25CKF1472	ERO25CKF1472	R543, 544
R545, 546	ERO25CKG8251	ERO25CKG8251	R545, 546
R547, 548	ERO25CKG6340	ERO25CKG6340	R547, 548
R549, 550	ERD25TJ392	ERD25TJ392	R549, 550
R551, 552	ERD25TJ824	ERD25TJ824	R551, 552
R553, 554	ERD25TJ824	ERD25TJ824	R553, 554
R555, 556	ERD25TJ224	ERD25TJ224	R555, 556
R557	ERD25TJ122	ERD25TJ122	R557
R558, 559	ERD25TJ473	ERD25TJ473	R558, 559
R560, 561	ERD25TJ333	ERD25TJ333	R560, 561
R562, 563	ERC14GK825	ERC14GK825	R562, 563
R564, 565	ERD25TJ824	ERD25TJ824	R564, 565
R601, 602	ERD25TJ824	ERD25TJ824	R601, 602
R603, 604	ERD25TJ222	ERD25TJ222	R603, 604
R605, 606	ERD25TJ683	ERD25TJ683	R605, 606
R607, 608	ERD25TJ223	ERD25TJ223	R607, 608
R609, 610	ERD25TJ272	ERD25TJ272	R609, 610
R611, 612	ERD25TJ151	ERD25TJ151	R611, 612
R613, 614	ERD14FJ471	ERD14FJ471	R613, 614
R615, 616	ERD14FJ100	ERD14FJ100	R615, 616
R617, 618	ERD14FJ681	ERD14FJ681	R617, 618
R619, 620	ERD14FJ182	ERD14FJ182	R619, 620
R621, 622	ERD25TJ471	ERD25TJ471	R621, 622
R623, 624	ERG1ANJ472	ERG1ANJ472	R623, 624
R625, 626	ERG1ANJ102	ERG1ANJ102	R625, 626
R627, 628	ERD14FJ471	ERD14FJ471	R627, 628
R629, 630	ERD14FJ471	ERD14FJ471	R629, 630
R631, 632	ERD14FJ101	ERD14FJ101	R631, 632
R633, 634	ERD14FJ470	ERD14FJ470	R633, 634
R635, 636	ERD14FJ180	ERD14FJ180	R635, 636
R637, 638	ERD14FJ3R3	ERD14FJ3R3	R637, 638
R639, 640	ERD14FJ820	ERD14FJ820	R639, 640
R641, 642	ERD14FJ820	ERD14FJ820	R641, 642
R643, 644	ERD25TJ563	ERD25TJ563	R643, 644
R645, 646	ERD25TJ182	ERD25TJ182	R645, 646
R647, 648	ERD25TJ151	ERD25TJ151	R647, 648
R649, 650	ERD14FJ5R6	ERD14FJ5R6	R649, 650
R651, 652	ERD14FJ5R6	ERD14FJ5R6	R651, 652
R653, 654	ERD14FJ5R6	ERD14FJ5R6	R653, 654
R655, 656	ERF55JR82	ERF55JR82	R655, 656
R657, 658	ERF55JR82	ERF55JR82	R657, 658
R659, 660	ERF55JR82	ERF55JR82	R659, 660
R661, 662	ERF55JR82	ERF55JR82	R661, 662
R663, 664	ERF55JR82	ERF55JR82	R663, 664
R665, 666	ERG2ANJ100	ERG2ANJ100	R665, 666
R667, 668	ERG2ANJ331	ERG2ANJ331	R667, 668
R669, 670	ERX1ANJ5R6	ERX1ANJ5R6	R669, 670
R702	ERD14FJ100	ERD14FJ100	R702
R703, 704	ERD18FAJ2R2	ERD18FAJ2R2	R703, 704
R705, 706	ERD25TJ223	ERD25TJ223	R705, 706

CAPACITORS

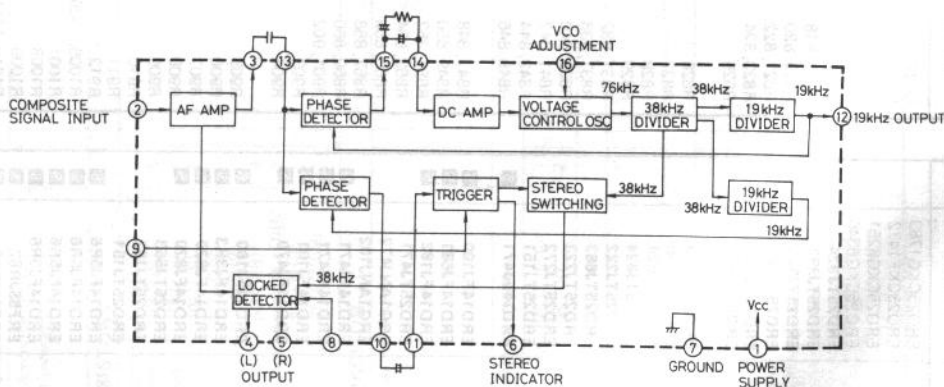
Ref. No.	Part No.
C611, 612	ECCD1H010C
C613, 614	ECCD2H101K
C615, 616	ECCD2H220K
C617, 618	ECEA1JS101
C619, 620	ECKD1H102ZF
C621, 622	ECKD1H471KB
C623, 624	ECKD1H103ZF
C625, 626	ECEA1JS101
C627, 628	ECEA1JS101
C629, 630	ECQM1473KZ
C631, 632	ECCD2H101K
C633, 634	ECCD1HOR5CC
C701, 702	ECE163R153U
C703	ECKD1H103ZF
C704	ECEA1ES471
C705	ECEA1ES101
C706, 707	ECKD1H103ZF
C708	ECEA1HS221
C709	ECEA1VS221
C710	ECQMT1473KZ
C801, 802	ECEA50Z1
C803, 804	ECEA1HS100
C805, 806	ECEA1HS100
C807	ECKD1H102ZF
C808	ECEA1ES470
C809	ECEA1HS100
C901	ECKD1H103ZF
C902	ECEA50Z3R3
C903	ECEA16N220V
C904	ECEA1CS330
C1001 (XSW) only	ECNCA4A223M

■ BLOCK DIAGRAM OF INTEGRATED CIRCUITS

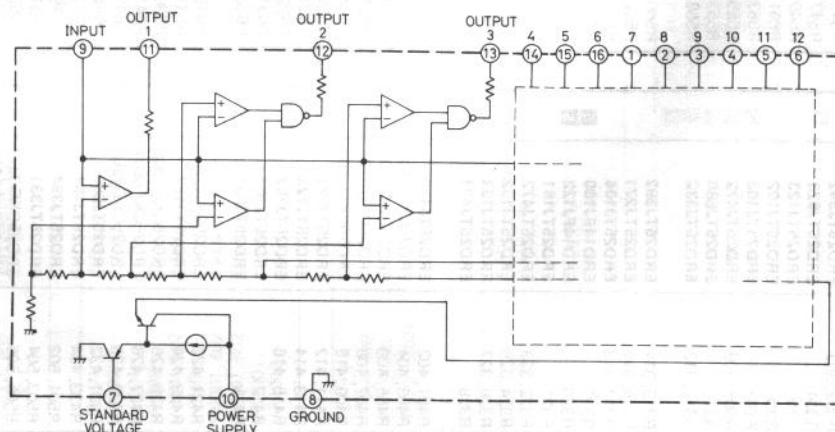
IC101 (AN217)
FM IF amplifier & AM converter



IC301 (AN363)
FM multiplex



IC801, 802 (SVIMS1901P)
Window comparator of power display circuitry

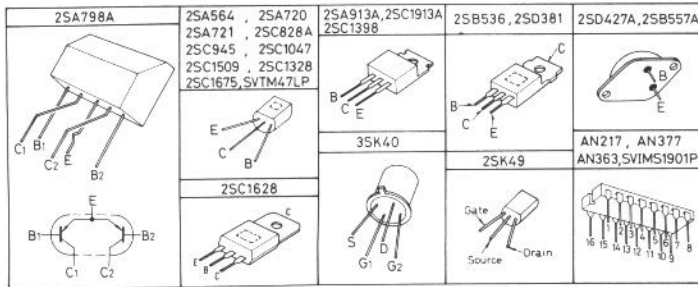


Schematic Diagram Model SA-700 (XA), (X)

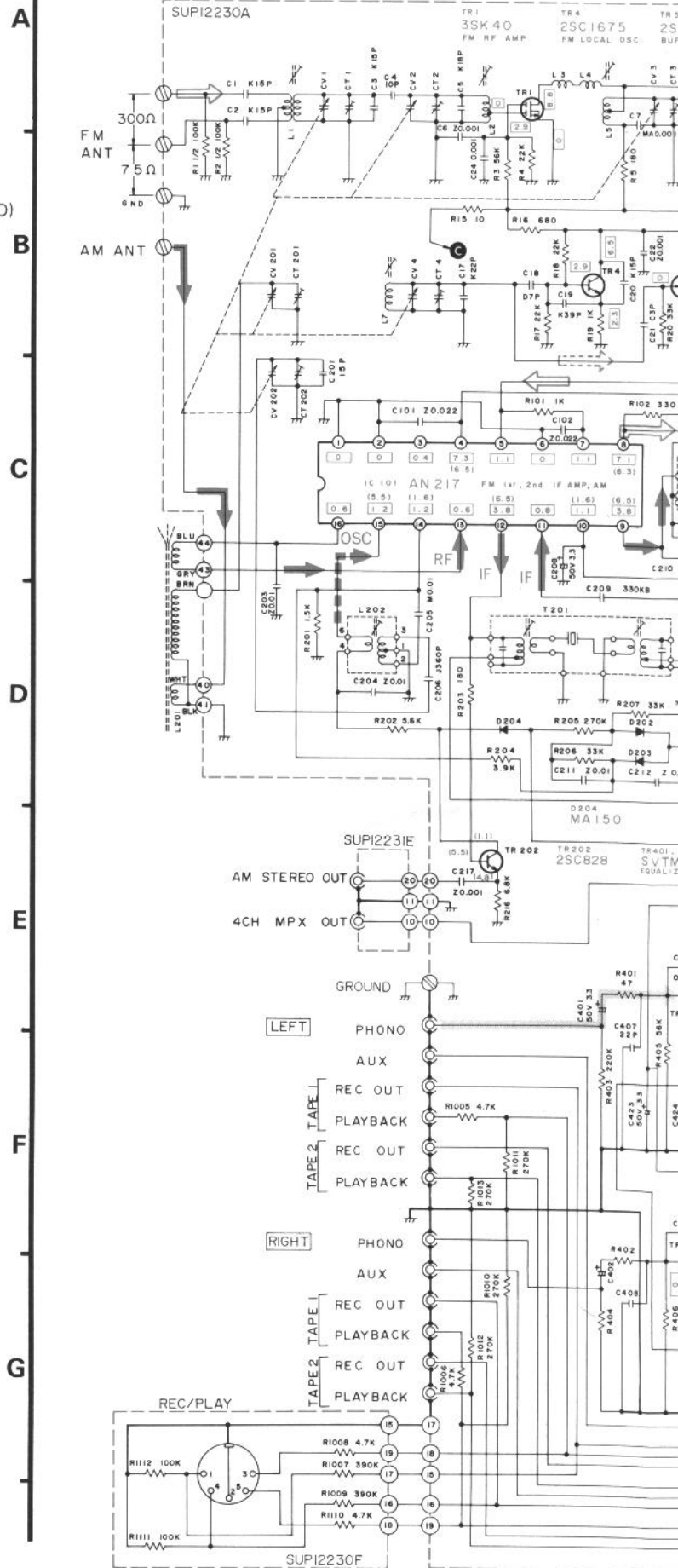
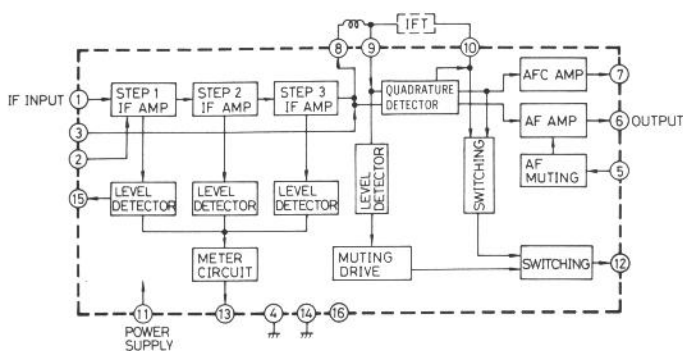
Notes:

- S1-1 ~ S1-6:** Selector switch in "AM" position.
① AM ↔ ② FM AUTO ↔ ③ PHONO ↔ ④ AUX
 - S2-1 ~ S2-4:** Tape monitor switch in "SOURCE" position.
① TAPE 2 ↔ ② SOURCE ↔ ③ TAPE 1
 - S3-1 ~ S3-4:** Recording mode switch in "SOURCE" position.
① TAPE 2 ▶ 1 ↔ ② SOURCE ↔ ③ TAPE 1 ▶ 2
 - S4:** FM muting switch in "ON" position.
 - S5-1 ~ S5-4:** Mode switch in "STEREO" position. (STEREO ↔ MONO)
 - S6-1, S6-2:** Loudness switch in "OFF" position.
 - S7:** Acoustic HIGH switch in "OFF" position.
① BOOST ↔ ② OFF ↔ ③ FILTER
 - S8:** Acoustic LOW switch in "OFF" position.
① BOOST ↔ ② OFF ↔ ③ FILTER
 - S9:** Remote speakers switch in "OFF" position.
 - S10:** Main speakers switch in "ON" position.
 - S13:** Power source switch in "ON" position.
 - S14:** Voltage adjustment switch in "240V" position.
① 110V ↔ ② 120V ↔ ③ 220V ↔ ④ 240V
 - S15:** Power display range switch in "X1" position. (X1 ↔ X0.1)
 - S17:** Power display switch in "ON" position.
- Indicated voltage values are the standard values for the unit measured by the DC electronic circuit tester (high impedance) with the chassis taken as standard. Therefore, there may exist some errors in the voltage values, depending on the internal impedance of the DC circuit tester.
- Not apply signal to set and muting switch to OFF condition
 AM signal reception
 FM muting switch is turned on under no-signal condition.
- AF Signal lines. FM Signal lines AM Signal lines.
17. This schematic diagram may be modified at any time with the development of new technology.

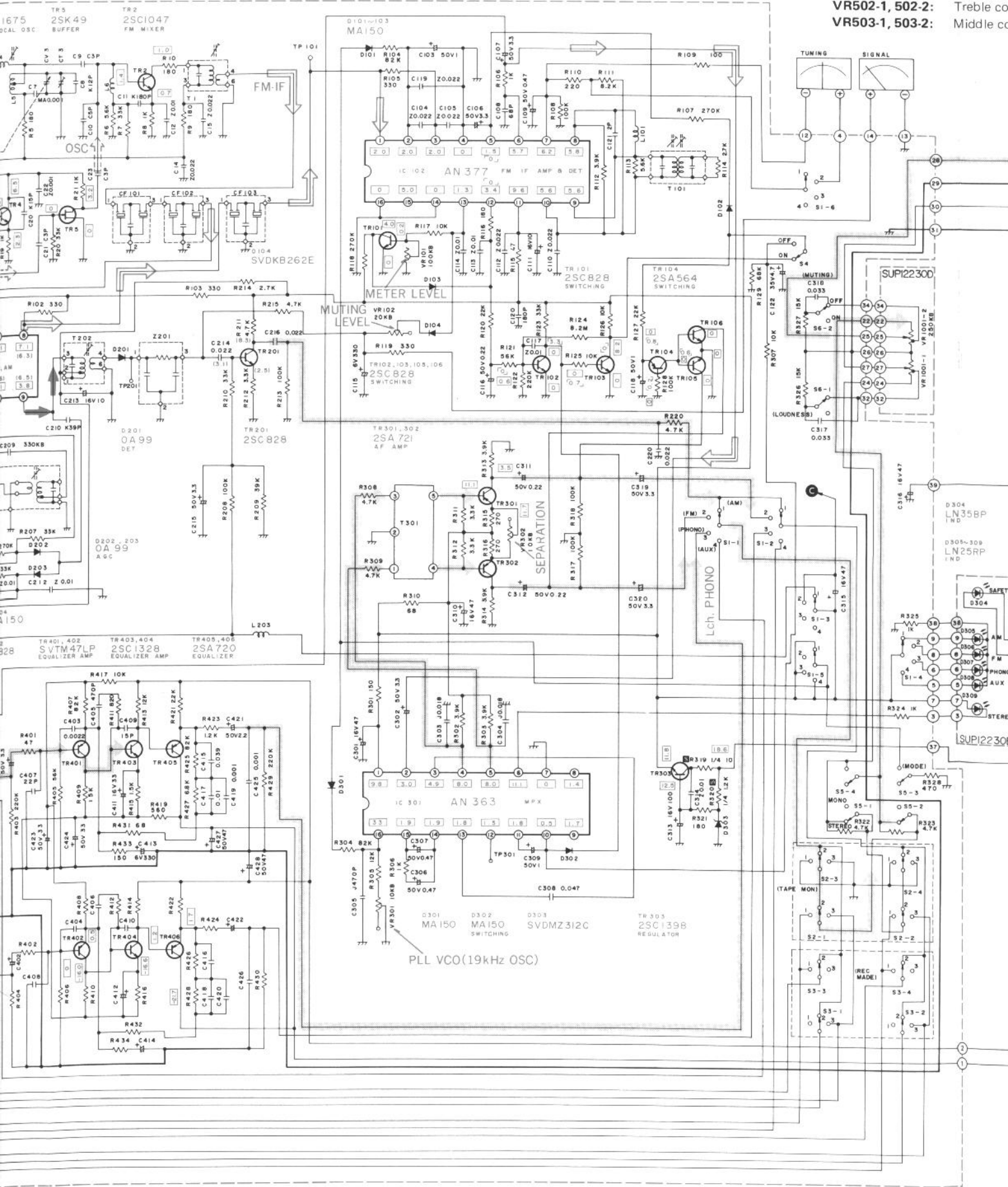
■ TERMINAL GUIDE OF TRANSISTOR & IC

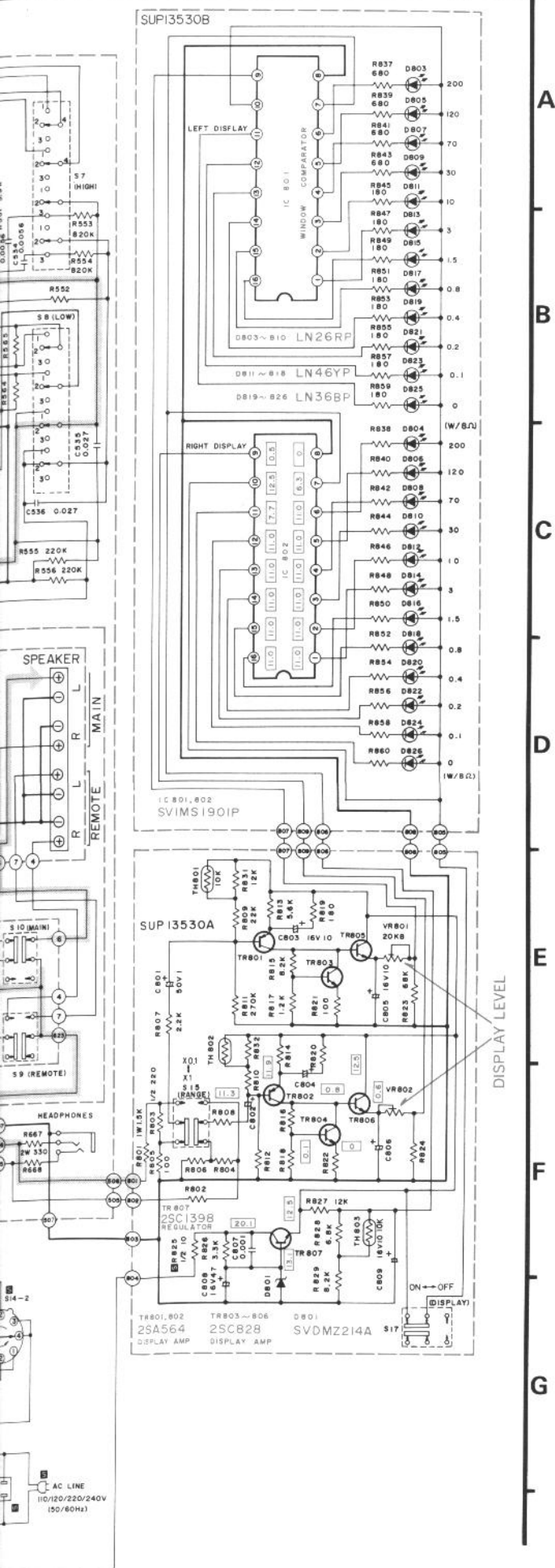


■ BLOCK DIAGRAM OF IC102 (AN377)



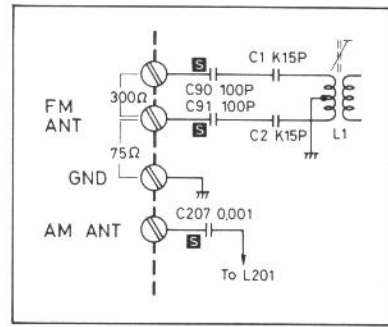
- VR1001-1, 1001-2: Volume
- VR1002-1, 1002-2: Balance
- VR501-1, 501-2: Bass
- VR502-1, 502-2: Treble
- VR503-1, 503-2: Middle





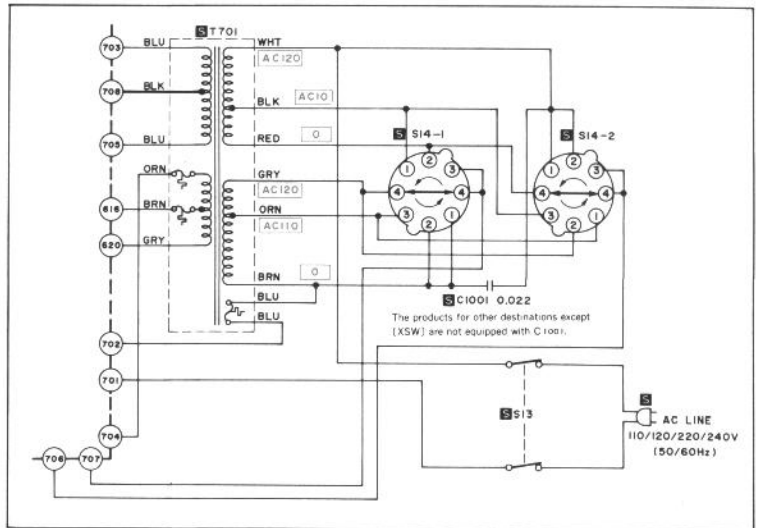
■ ANTENNA CAPACITORS

- Product for Australia [XAL] only.

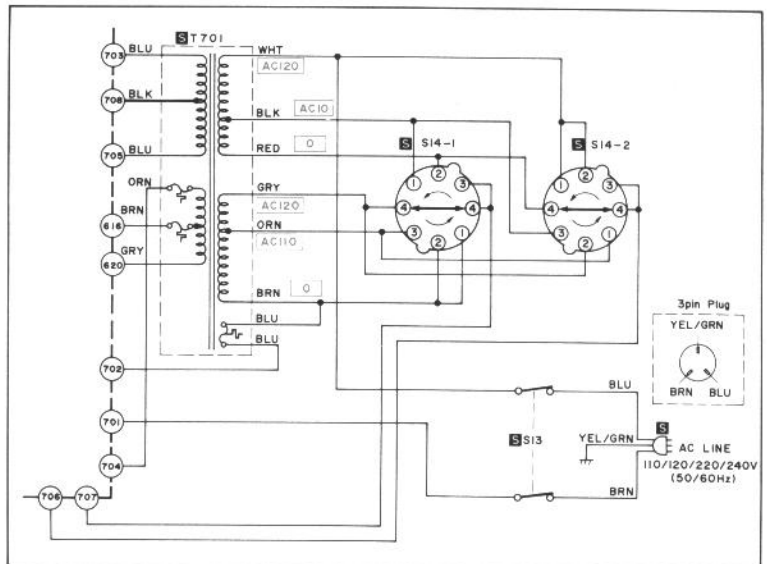


■ POWER SOURCE CIRCUITRY OF OTHER PRODUCTS

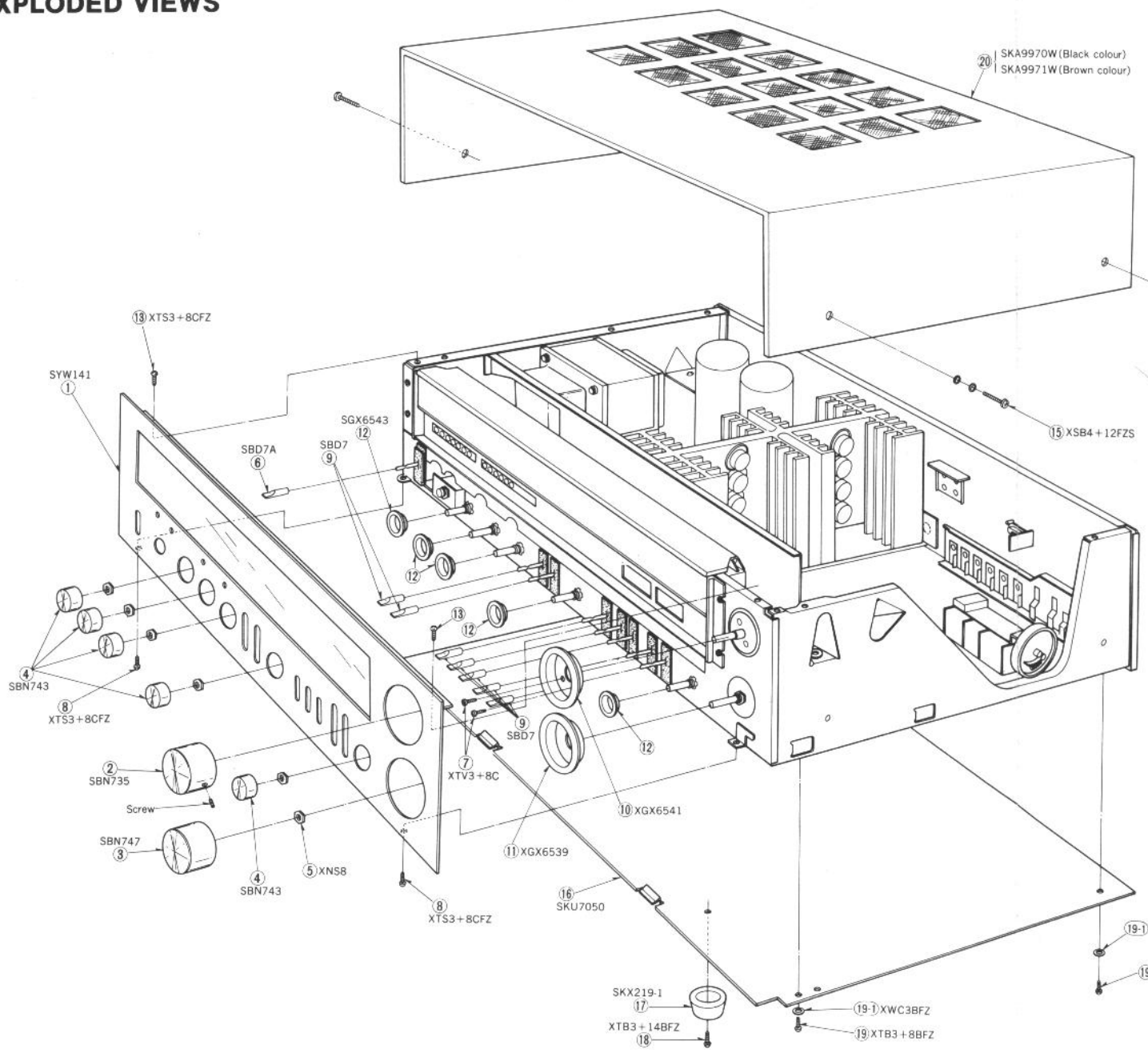
- Products for Scandinavia and European [D], Holland [XGH], France [XGF], Switzerland [XSW] and United Kingdom [XE] only.



- Product for Australia [XAL] only



EXPLODED VIEWS



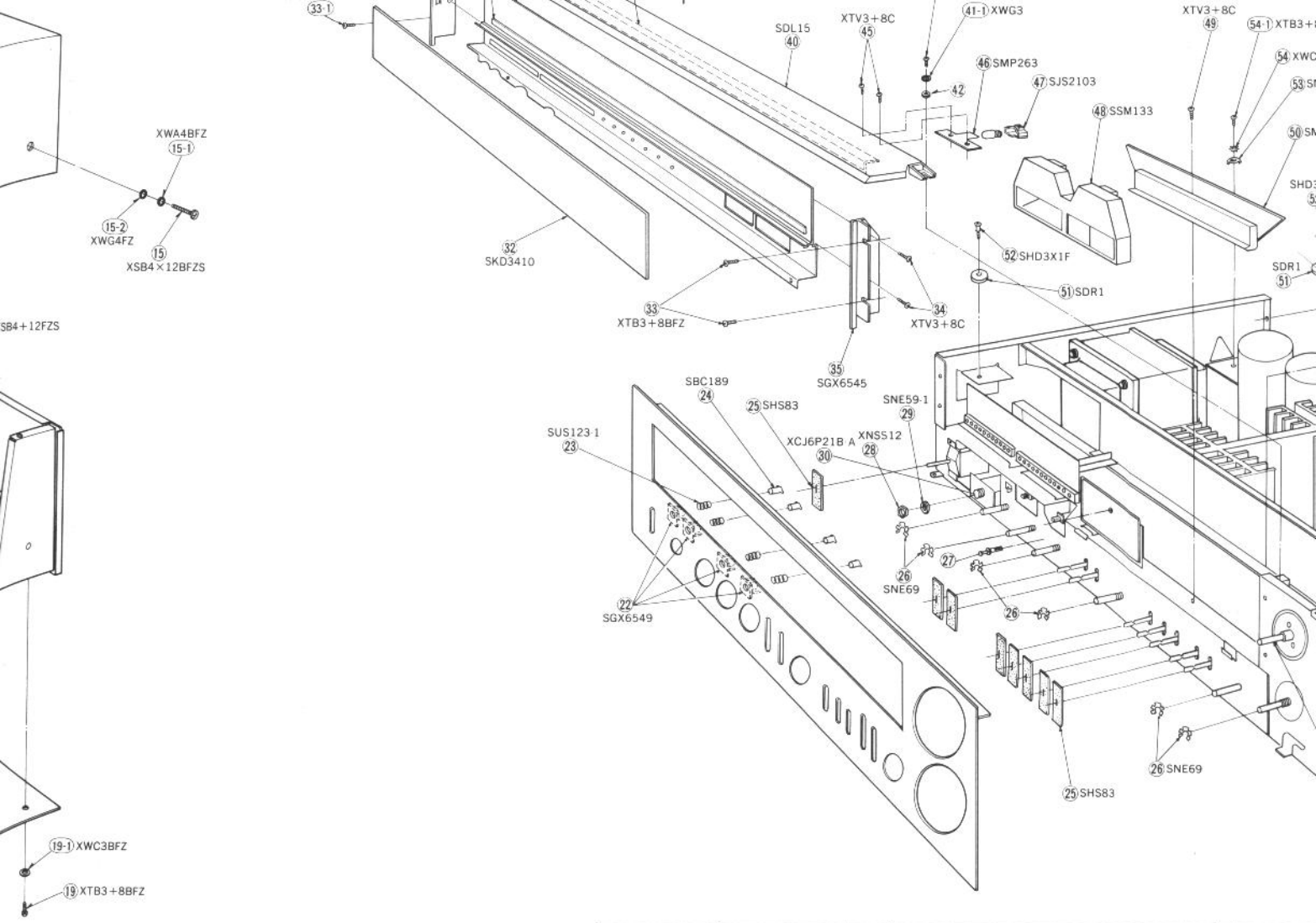
REPLACEMENT PARTS LIST Cabinet & chassis parts

- NOTES 1: 1. Part numbers are indicated on most mechanical parts. Please use this part number for parts orders.
 2. [X] indicates that only parts specified by the manufacturer be used for safety.

Ref. No.	Part No.	Part Name & Description	Per Set	Remarks
1	SYW141	Panel, Front	1	○
2	SBN735	Knob, Tuning	1	
3	SBN747	Knob, Volume	1	
4	SBN743	Knob, Selector, Balance, Treble, Mid Range and Bass	5	○
5	XNS8	Nut, Ornament M'tg	6	
6	SBD7A	Knob, Power Switch	1	○
7	XTV3+8C	Screw, Tuning Ornament M'tg	2	
8	XTS3+8CFZ	Screw, Front Panel M'tg	2	
8 [XAL]only	XTB3+8BFZ	Screw, Front Panel M'tg	2	
8-1 [XAL]only	XWC3BFZ	Washer	2	
9	SBD7	Knob, Lever Switch	7	○
10	SGX6541	Ornament, Tuning	1	
11	SGX6539	Ornament, Volume	1	
12	SGX6543	Ornament, Selector, Balance, Treble, Mid Range and Bass	5	
13	XTS3+8CFZ	Screw, Front Panel M'tg	2	
15	XSB4+12FZS	Screw, Cabinet M'tg	4	
15-1	XWA4BFZ	Washer, Cabinet Screw (Spring)	4	
15-2	XWG4FZ	Washer, Cabinet Screw	4	

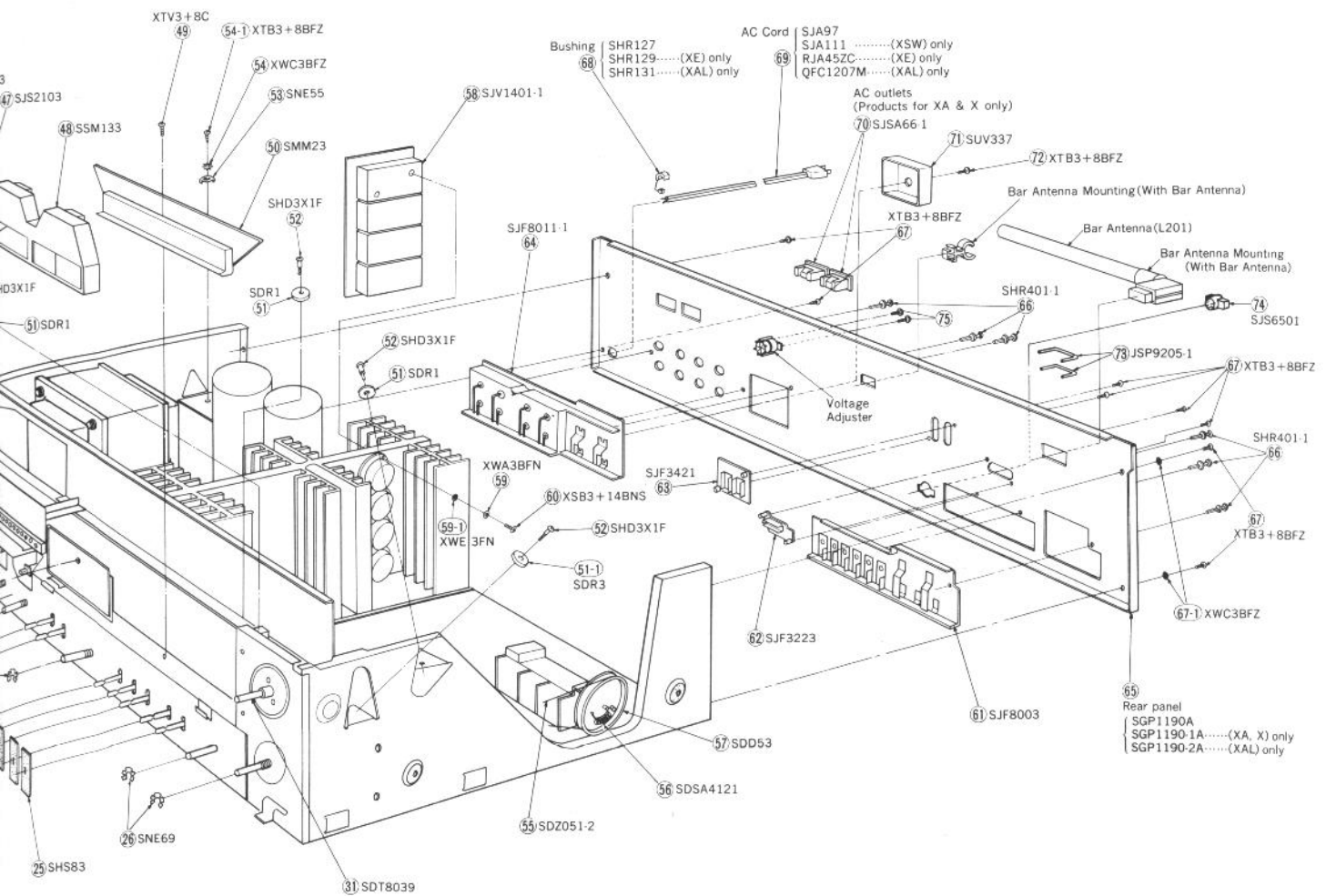
Ref. No.	Part No.	Remarks
16	SKU7050	Bottom Foot, Se
17	SKX219-1	Screw, f
18	XTB3+14BFZ	Washer, f
19	XTB3+8BFZ	Washer, f
19-1	XWC3BFZ	Washer, f
20	SKA9970W	Cabinet
20 (XE) only	SKA9971W	Cabinet
22	SGX6549	Sleeve, f
23	SUS123-1	Spring, f
24	SBC189	Button, f
25	SHS83	Shading, f
26	SNE69	Circlip, f
27	SHR401-1	Lock Pi
28	XNSS12	Nut, He
29	SNE59-1	Washer, f
30	XCJ6P21B-A	Jack, He
31	SD18039	Shaft, T
32	SKD3410	Scale, D
33	XTB3+8BFZ	Screw, f
33-1	XTB3+12BFZ	Screw, f
34	XTV3+8C	Screw, f
35	SGX6545	Escutch
36	SGX6547	Escutch

(black colour)
(brown colour)



Part Name & Description	Per Set	Remarks
Bottom Board	1	* ○
Foot, Set	4	
Screw, Foot M'tg	4	
Screw, Bottom Board M'tg	12	
Washer, Bottom Board Screw	12	
Cabinet, Black Colour	1	○
Cabinet, Brown Colour	1	○
Sleeve, Push Switch Button	4	
Spring, Push Switch Button	4	
Button, Push Switch	4	
Shading Cloth	8	
Circlip, Volume	6	
Lock Pin, Program Indicator Circuit Board M'tg	1	
Nut, Headphones Jack	1	
Washer, Headphones Jack	1	
Jack, Headphones	1	
Shaft, Tuning Control Ass'y	1	
Scale, Dial	1	* ○
Screw, Dial Scale M'tg	2	
Screw, Dial Scale M'tg	2	
Screw, Dial Scale Escutcheon M'tg	4	
Escutcheon, Dial Scale (Right)	1	
Escutcheon, Dial Scale (Left)	1	

Ref. No.	Part No.	Part Name & Description	Per Set	Remarks
37	SGX765	Mirror, Dial Scale	1	○
38	SDH451	Plate, Indicator & Dial Memory	1	* ○
39	SMZ289	Escutcheon, Reflector Plate	1	* ○
40	SDL15	Reflector Plate	1	○
41	XTN3+8B	Screw, Reflector Plate M'tg	2	
41-1	XWG3	Washer	2	
42	SHR9339	Spacer, Reflector Plate Screw	1	
43	SDP1123-1	Pointer, Dial	1	*
44	SHP29	Paper, Pointer Slide	1	
45	XTV3+8C	Screw, Pilot Lamp Bracket M'tg	8	*
46	SMP263	Bracket, Pilot Lamp	4	*
47	SJS2103	Socket, Pilot Lamp	4	
48	SSM133	Meter, Signal & Tuning	1	
49	XTV3+8C	Screw, Meter Bracket M'tg	1	
50	SMM23	Bracket, Meter	1	*
51	SDR1	Pulley, Dial Cord	3	
51-1	SDR3	Pulley, Dial Cord	1	
52	SHD3X1F	Shaft, Pulley	4	*
53	SNE55	Lug, Ground	1	
54	XWC3BFZ	Washer, Fuse Circuit Board Screw	1	
54-1	XTB3+8BFZ	Screw, Fuse Circuit Board M'tg	1	
55	SDZ051-2	Cord, Dial, 86.9/16 (220cm)	1 roll	
56	SDSA4121	Spring, Dial Cord	1	
57	SDD53	Drum, Dial Cord	1	
58	SJV1401-1	Socket, Power Transistors	8	
59	XWA3BFN	Washer, Power Transistors Screw	16	
59-1	XWE3FN	Washer, Power Transistors Screw	16	



Description	Per Set	Remarks
Initial Memory	1	○
or Plate	1	* ○
ate M'tg	2	○
ate Screw	2	
	1	*
Bracket M'tg	8	
	4	*
ing	4	
et M'tg	1	
	1	*
	1	
	3	
	1	
	4	*
Board Screw	1	
Board M'tg	1	
(220cm)	1 roll	
	1	
	1	
istors	8	
istors Screw	16	
istors Screw	16	

Ref. No.	Part No.	Part Name & Description	Per Set	Remarks
60	XSB3+14BNS	Screw, Power Transistors M'tg	16	
61	SJF8003	Terminal, Input and Antenna	1	
62	SJF3223	Terminal, 4CH Mpx Out and AM Stereo Out	1	
63	SJF3421	Terminal, Per Out and Main In	1	
64	SJF8011-1	Terminal, Speakers and Speaker Fuses	1	○
65 (XA, X) only	SGP1190-1A	Rear Panel	1	○
65 (XAL) only	SGP1190-2A	Rear Panel	1	○
65	SGP1190A	Rear Panel	1	○
66	SHR401-1	Lock Pin, Speakers Terminal and Input Terminal	6	
67	XTB3+8BFZ	Screw, Rear Panel M'tg	8	
67-1	XWC3BFZ	Washer	2	
68 (XAL) only	SHR131	Bushing, AC Cord	1	
68 (XE) only	SHR129	Bushing, AC Cord	1	
68	SHR127	Bushing, AC Cord	1	
69 (XAL)	QFC1207M	AC Cord, Power Source w/3 pin Plug	1	S
69 (XE)	RJA45ZC	AC Cord, Power Source	1	S
69 (XSW)	SJA111	AC Cord, Power Source w/Plug	1	S
69 (D, XGH, XGF, XA, X)	SJA97	AC Cord, Power Source w/Plug	1	S
70 (XA, X) only	SJSA66-1	Socket, AC Outlet	2	S
71	SUV337	Cover, Speaker Circuit Fuse	1	
72	XTB3+8BFZ	Screw, Fuse Cover M'tg	1	
73	SJP9205-1	Short Pin, Pre & Main Amp Connection	2	
74	SJS6501	Socket, DIN (Tape Deck REC/PLAY)	1	
75	XSB3+8FZS	Screw, Voltage Adjuster M'tg	2	