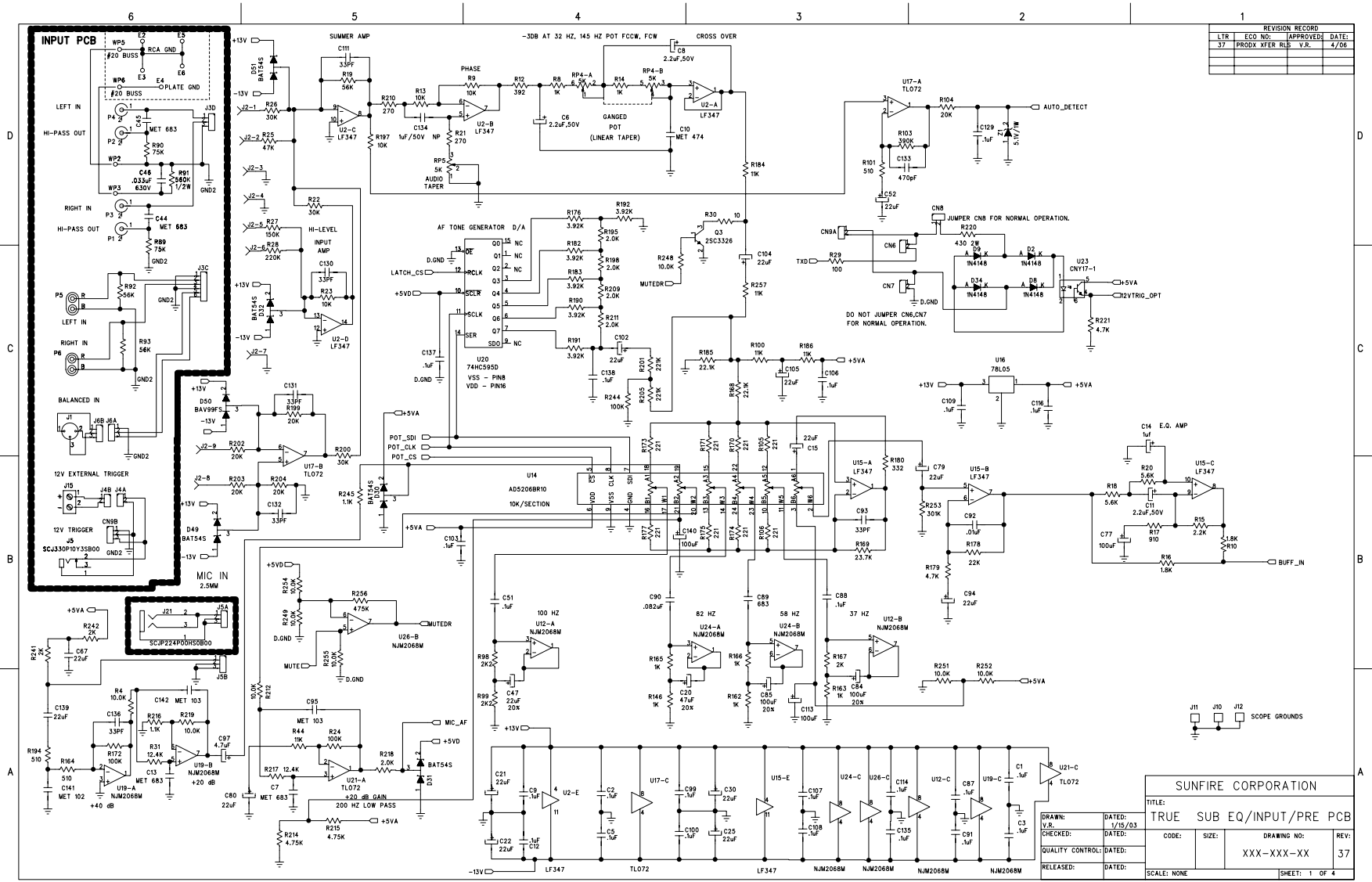


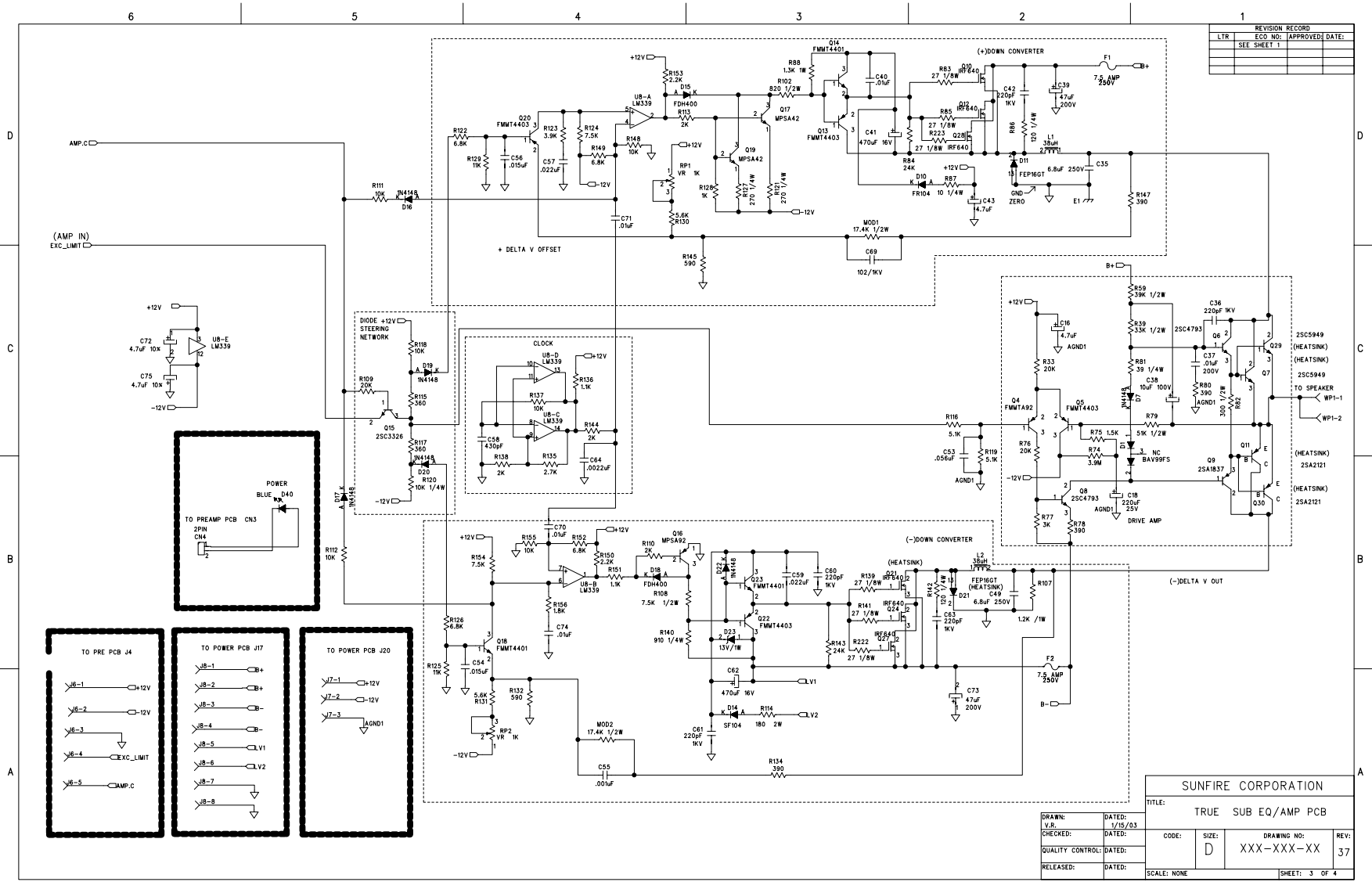
REVISION RECORD			
LTR	ECO NO.	APPROVED	DATE
37	PRODX XFER	RIS	V.R. 4/06



SUNFIRE CORPORATION			
TITLE: TRUE SUB EQ/INPUT/PRE PCB			
DRAWN: V.R.	DATED: 1/15/03	CODE:	SIZE:
CHECKED:	DATED:	DRAWING NO: XXX-XXX-XX	REV: 37
QUALITY CONTROL:	DATED:	RELEASED:	DATED:
SCALE: NONE		SHEET: 1 OF 4	

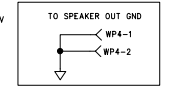


REVISION RECORD			
LTR	ECO NO:	APPROVED:	DATE:
SEE SHEET 1			

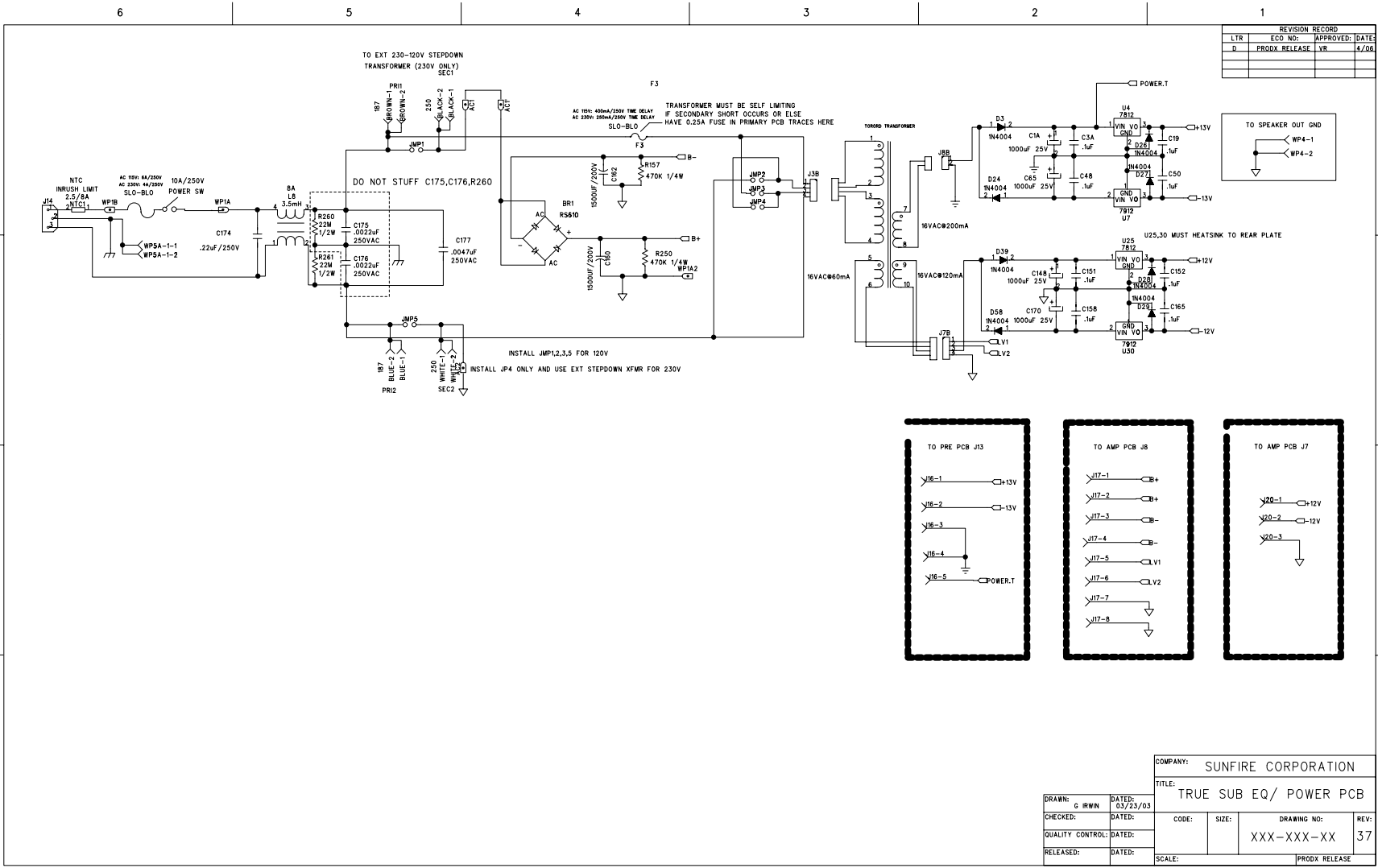


SUNFIRE CORPORATION			
TITLE: TRUE SUB EQ/AMP PCB			
DRAWN: V.R.	DATED: 1/15/03	CODE: D	SIZE: XXX-XXX-XX
CHECKED:	DATED:	QUALITY CONTROL:	DATED:
RELEASED:	DATED:	SCALE: NONE	SHEET: 3 OF 4

REVISION RECORD			
LTR	ECO NO:	APPROVED:	DATE:
D	PRODX RELEASE	YR	4/06



U25,30 MUST HEATSINK TO REAR PLATE



DRAWN: G IRWIN		DATED: 03/23/03		COMPANY: SUNFIRE CORPORATION			
CHECKED:		DATED:		TITLE: TRUE SUB EQ/ POWER PCB			
QUALITY CONTROL:		DATED:		CODE:	SIZE:	DRAWING NO:	REV: 37
RELEASED:		DATED:		SCALE:	PRODX RELEASE		