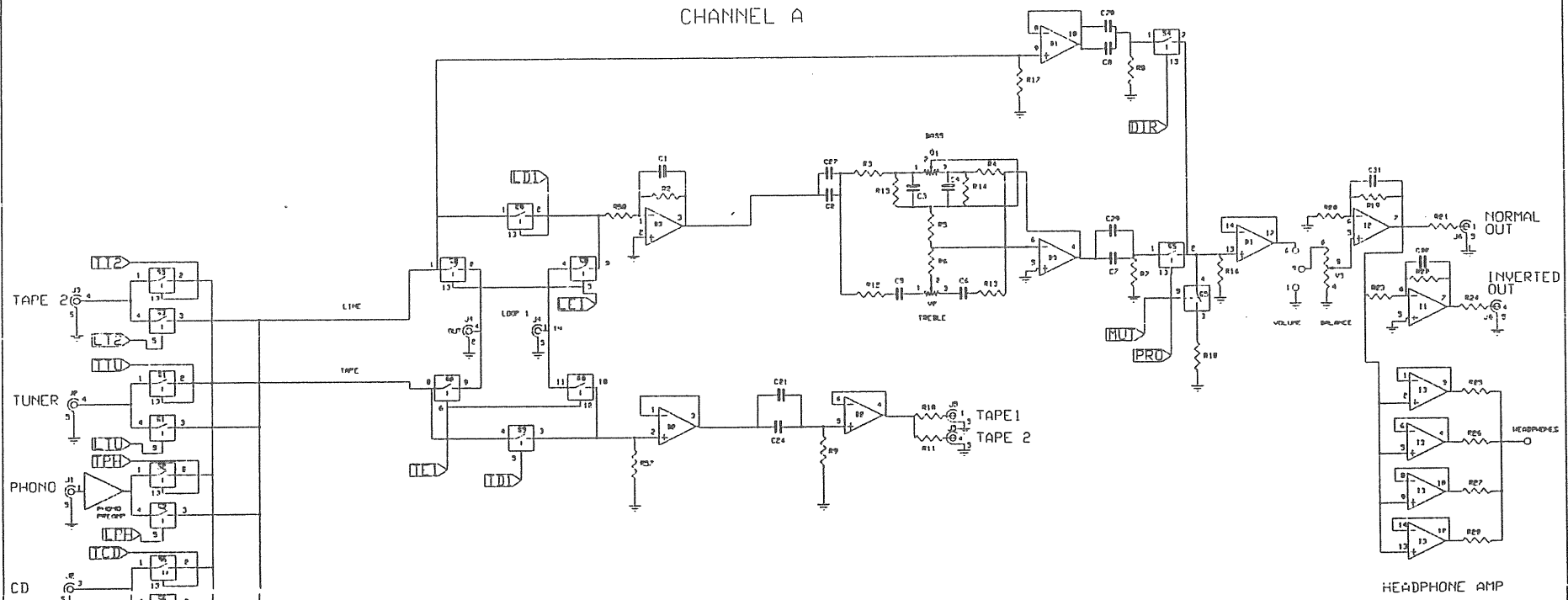
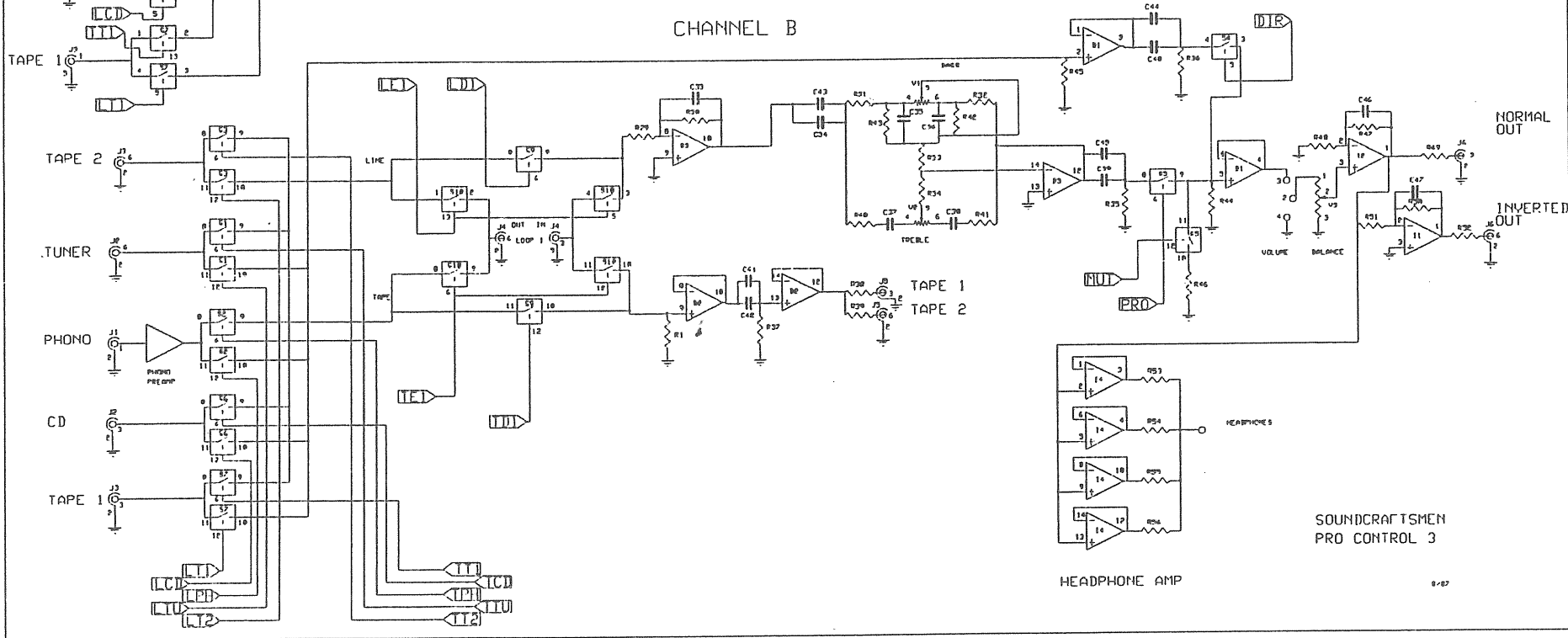


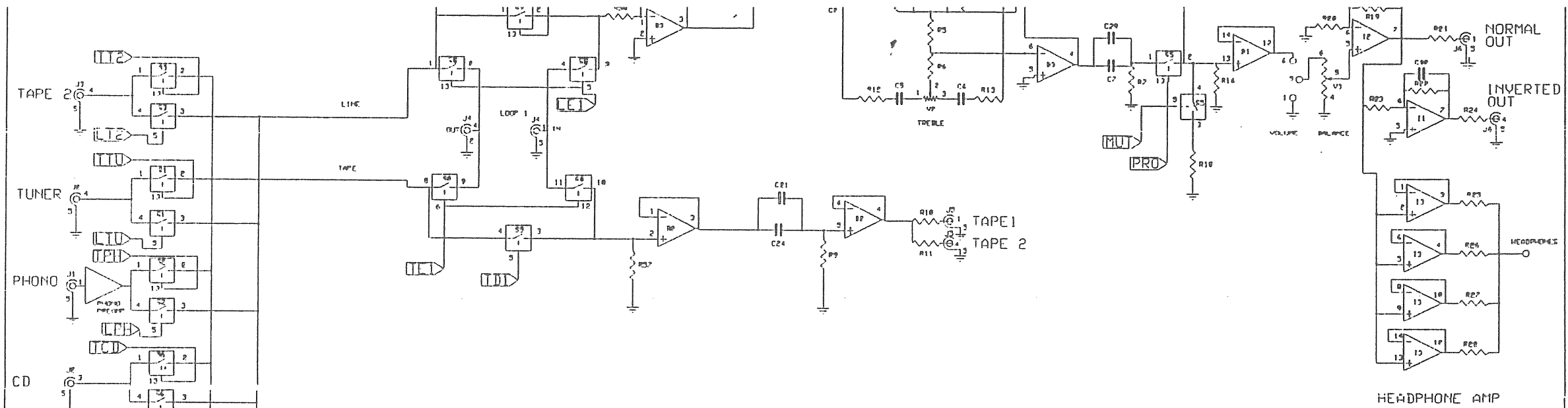
CHANNEL A



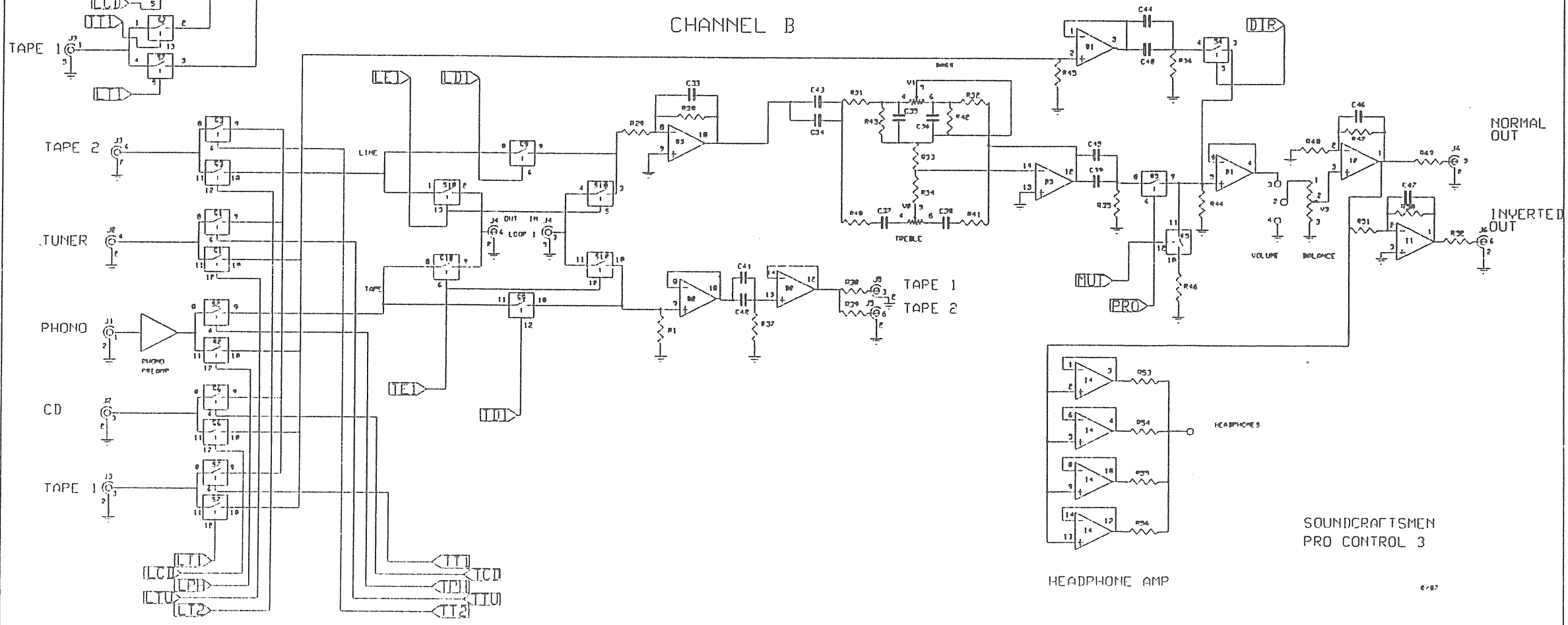
CHANNEL B



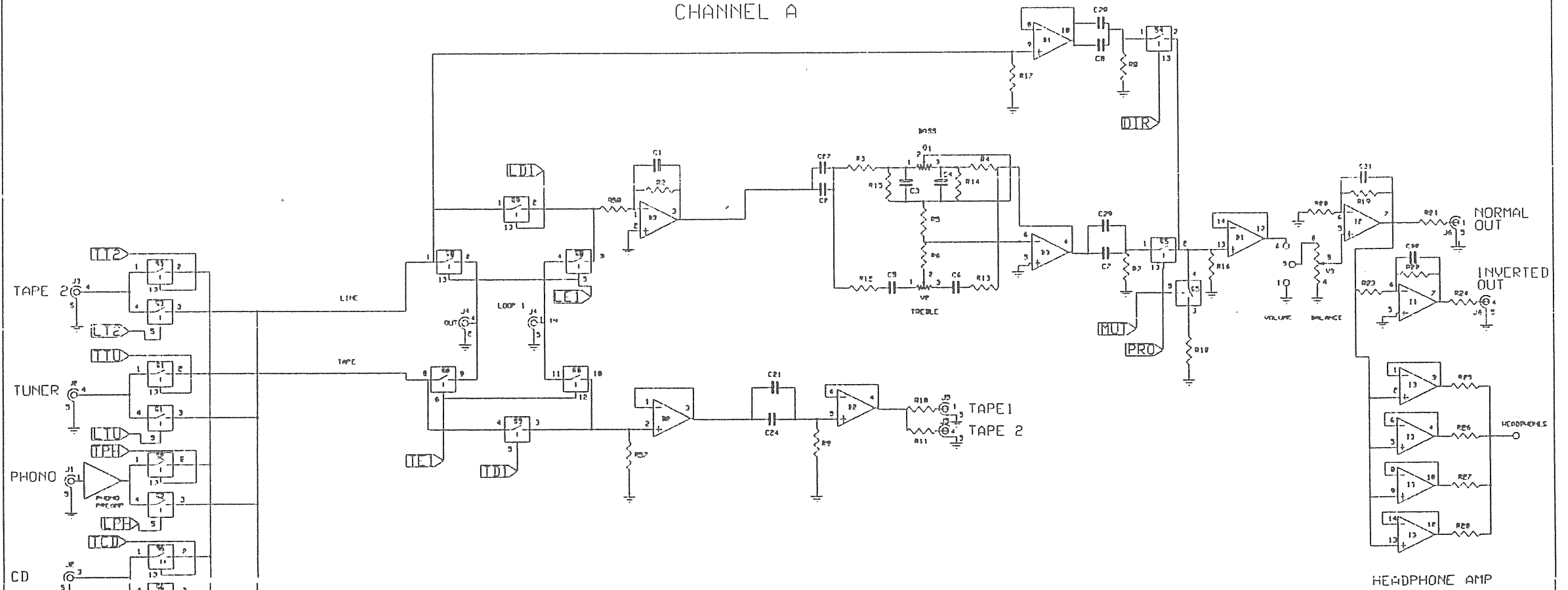
SOUNDCRAFTSMEN
PRO CONTROL 3



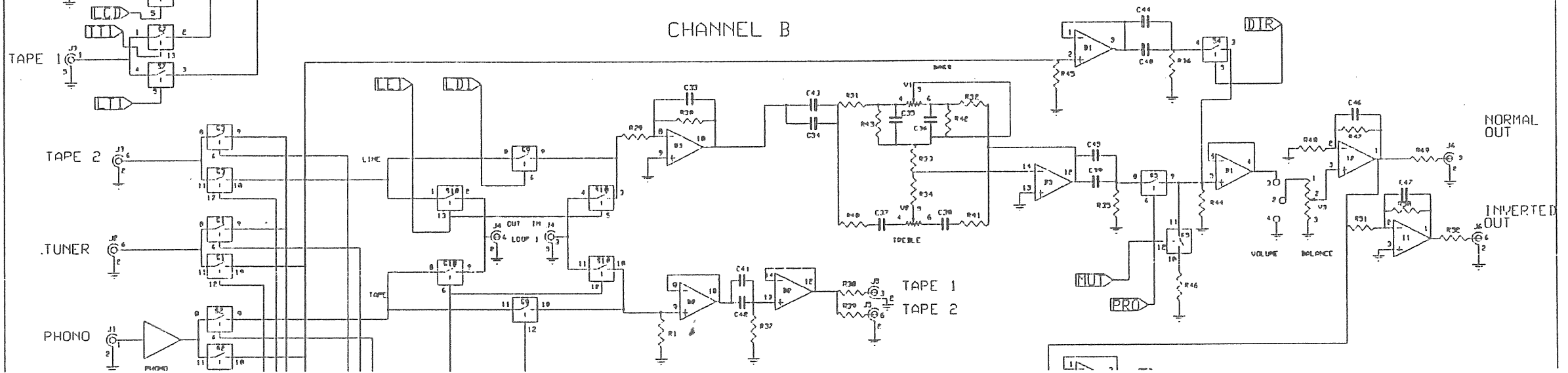
CHANNEL B



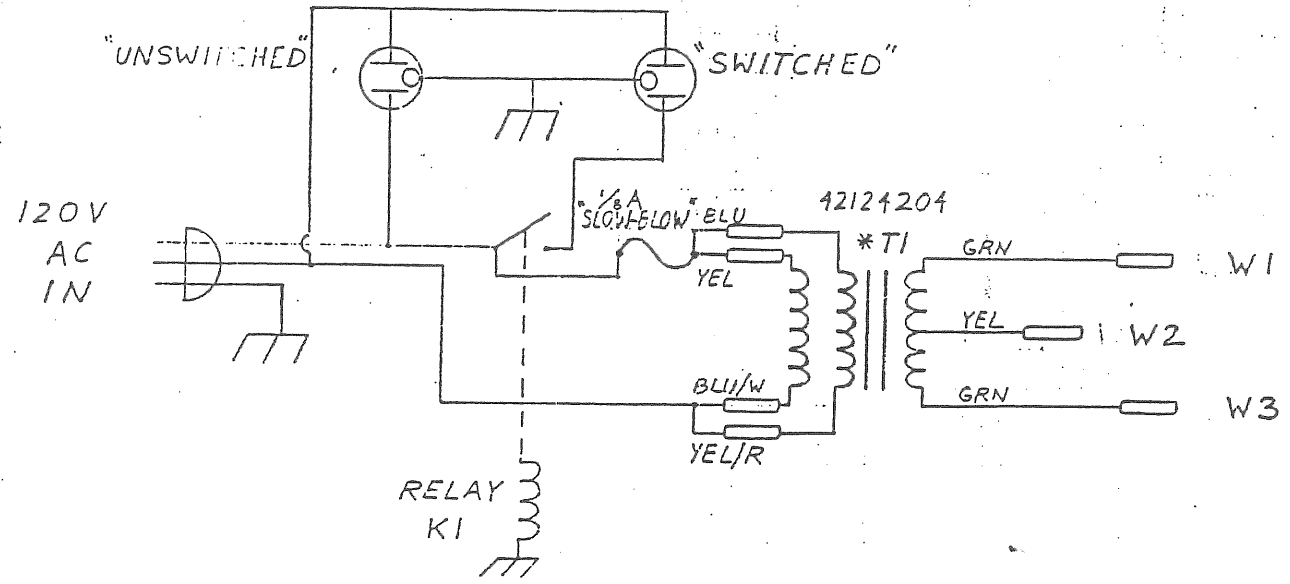
CHANNEL A



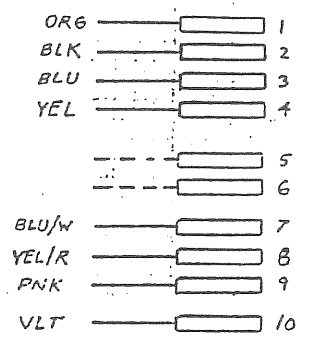
CHANNEL B



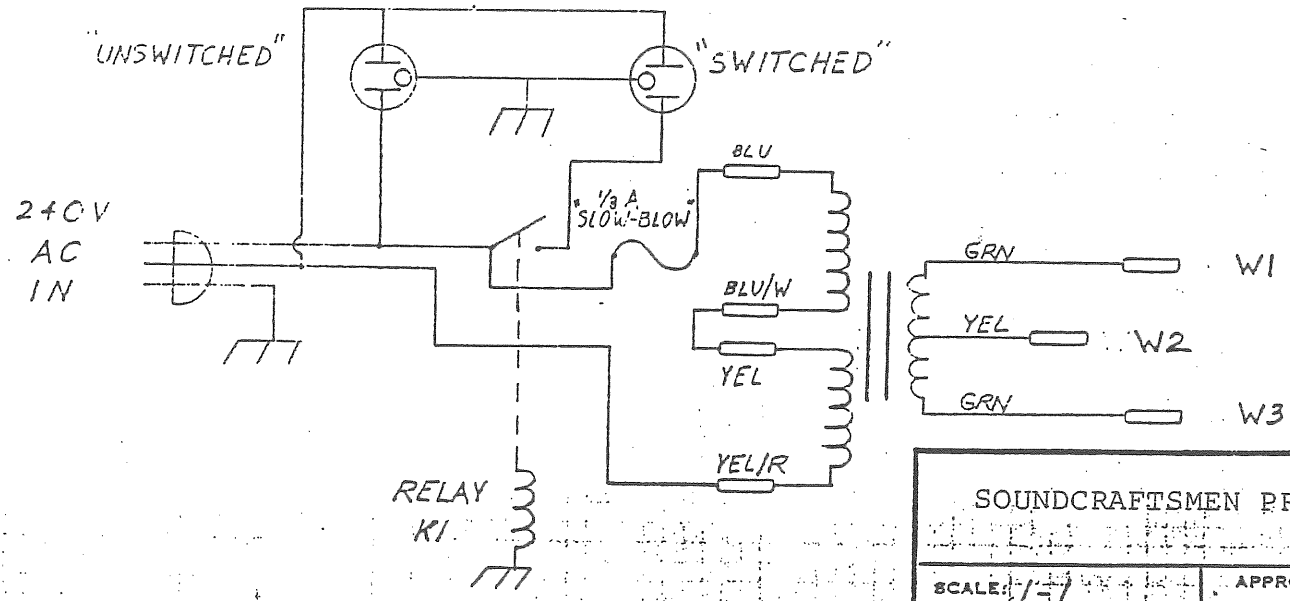
LEFT REAR OF CABINET



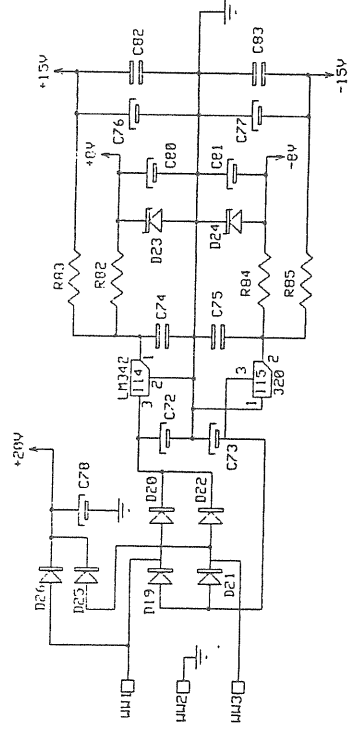
120 V



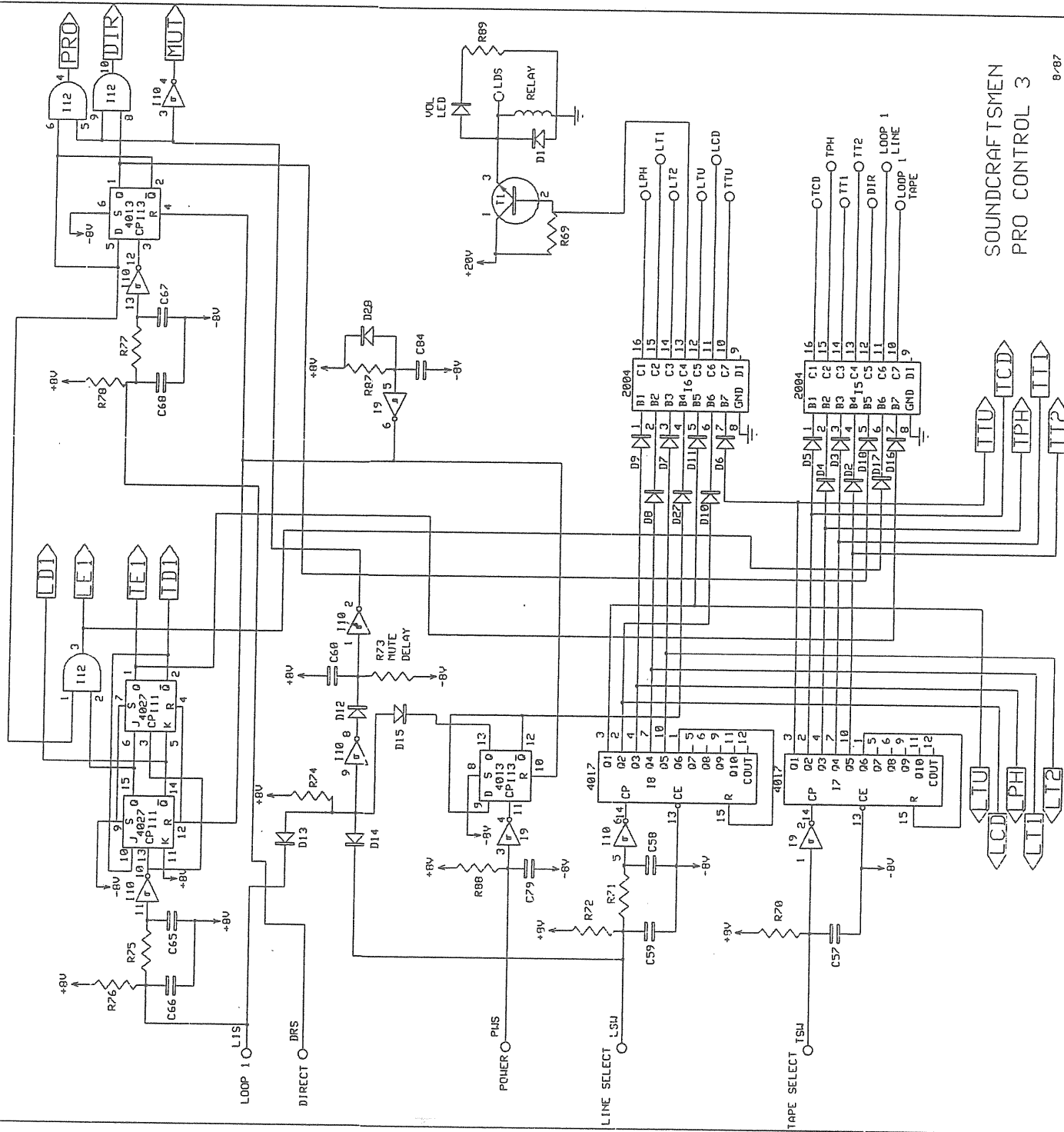
NOTE:
FOR 240V
OPERATION,
MOVE (4) TO (5)
AND
(7) TO (6)



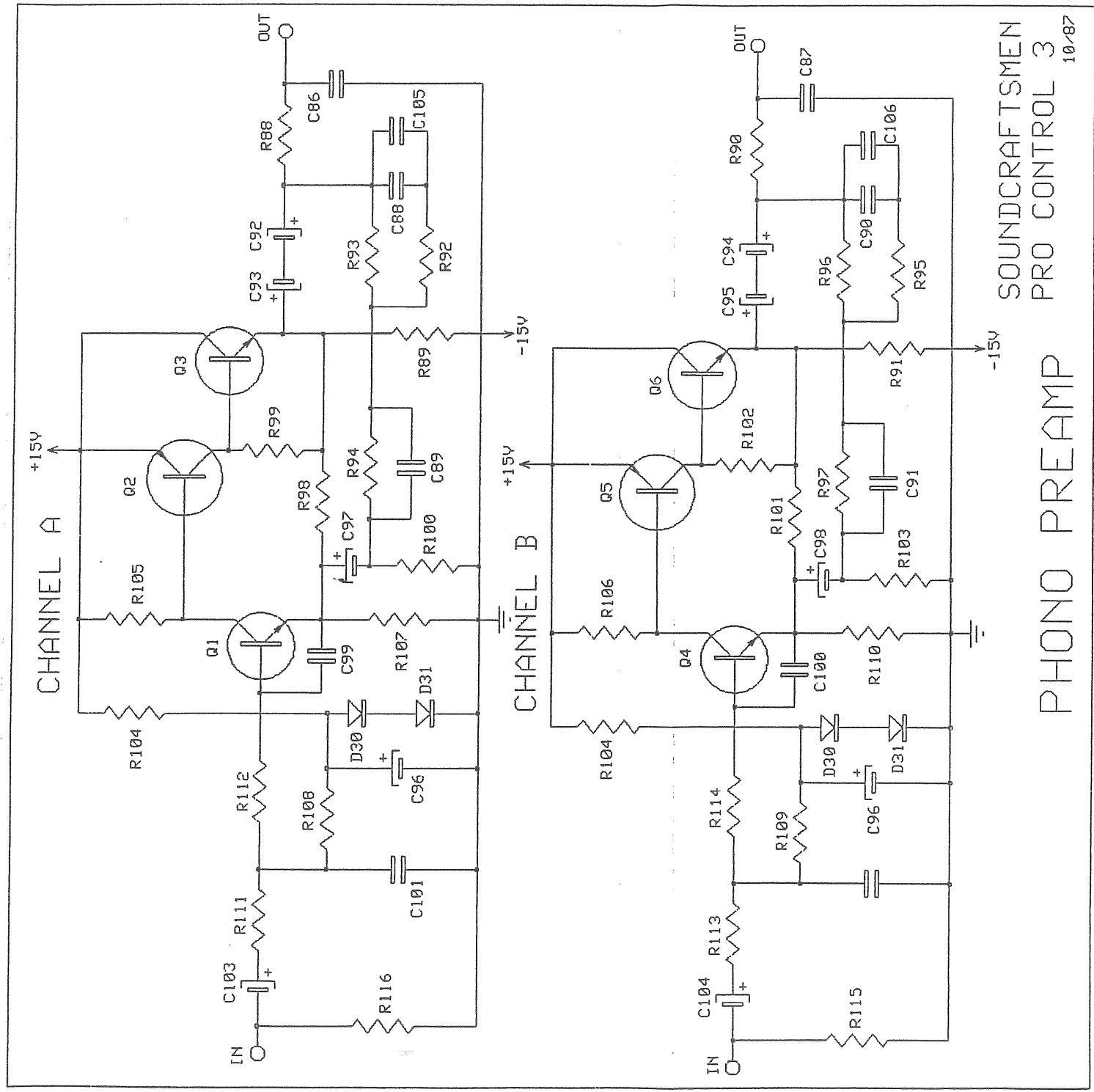
SOUNDCRAFTSMEN PRO-CONTROL THREE PREAMPLIFIER		
SCALE: 1-1	APPROVED BY:	DRAWN BY B.H.
DATE: 10/14/87		REVISED
SCHEMATIC: A.C. WIRING		
		DRAWING NUMBER



POWER SUPPLY

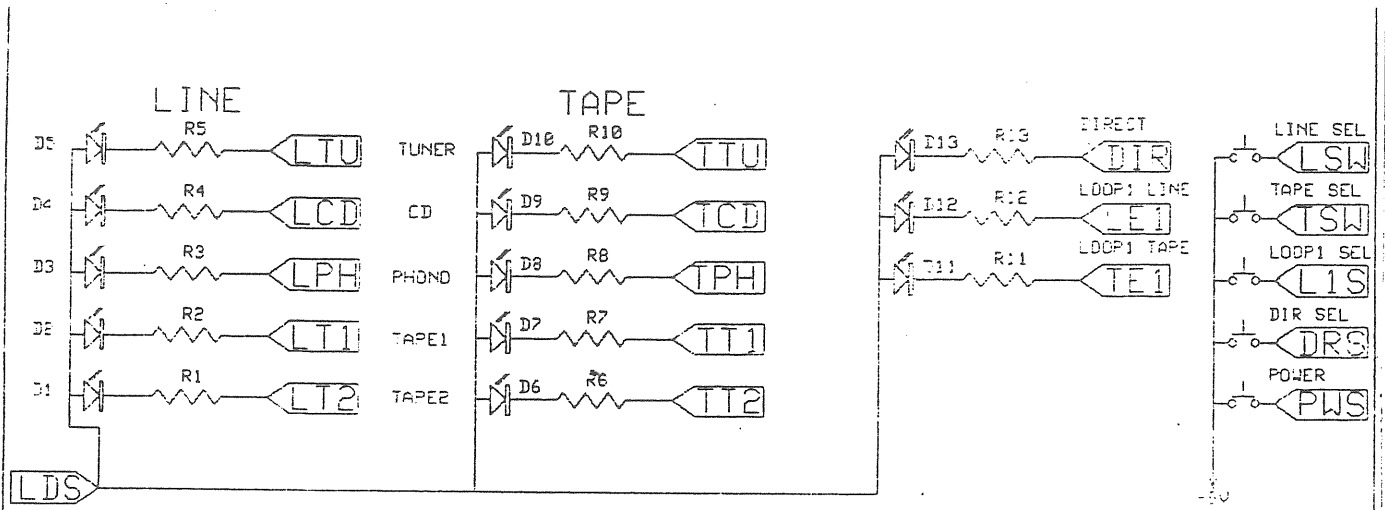


SOUNDCRAFTSMEN
PRO CONTROL 3



SOUNDCRAFTSMEN
PRO CONTROL 3
10/87

PHONO PREAMP



PRO CONTROL THREE

SOUNDCRAFTSMEN
10/97

SOUNDCRAFTSMEN PRO-CONTROL THREE PREAMPLIFIER

SCALE:	APPROVED BY:	DRAWN BY
DATE:		REVISED

L.E.D. BOARD

DRAWING NUMBER