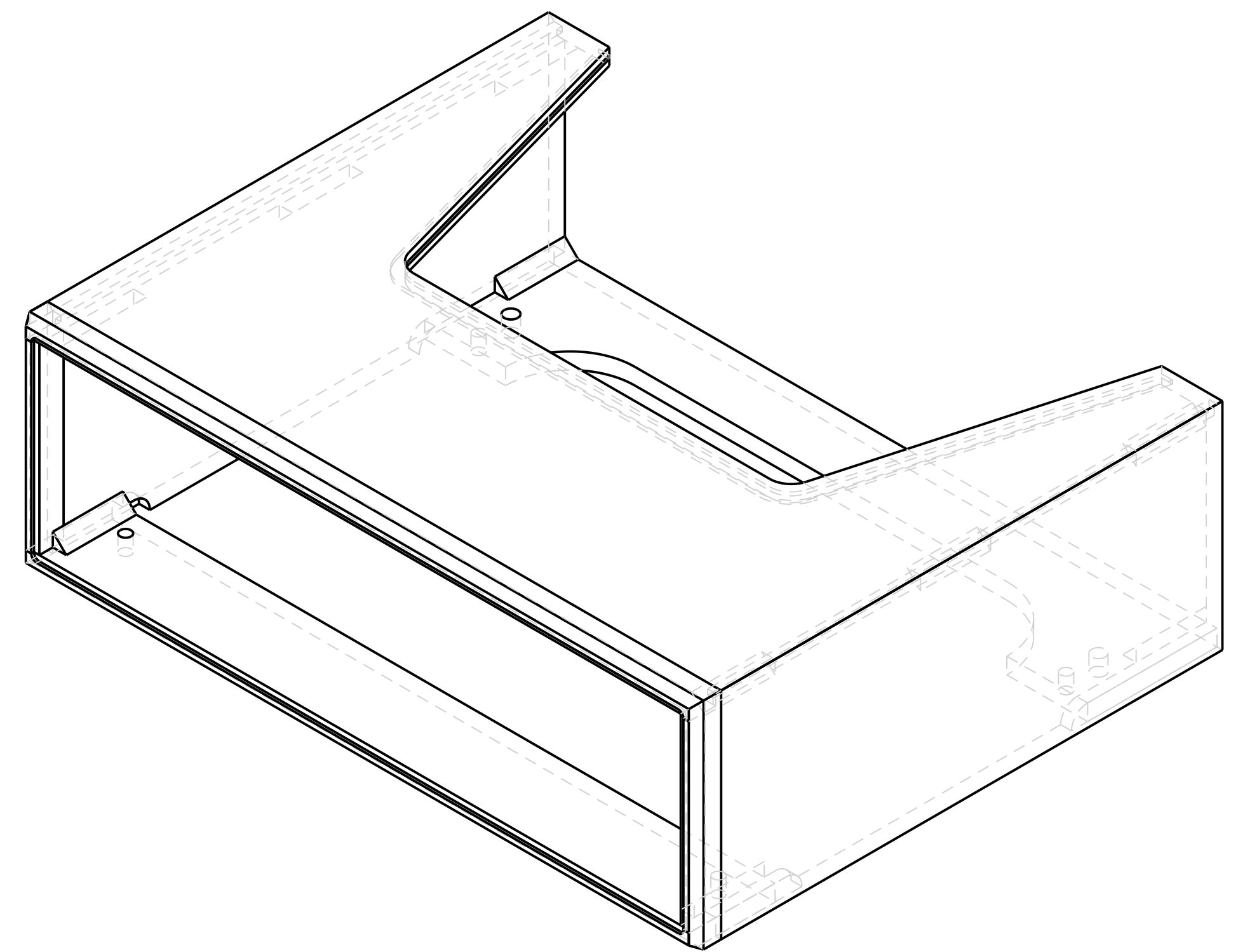
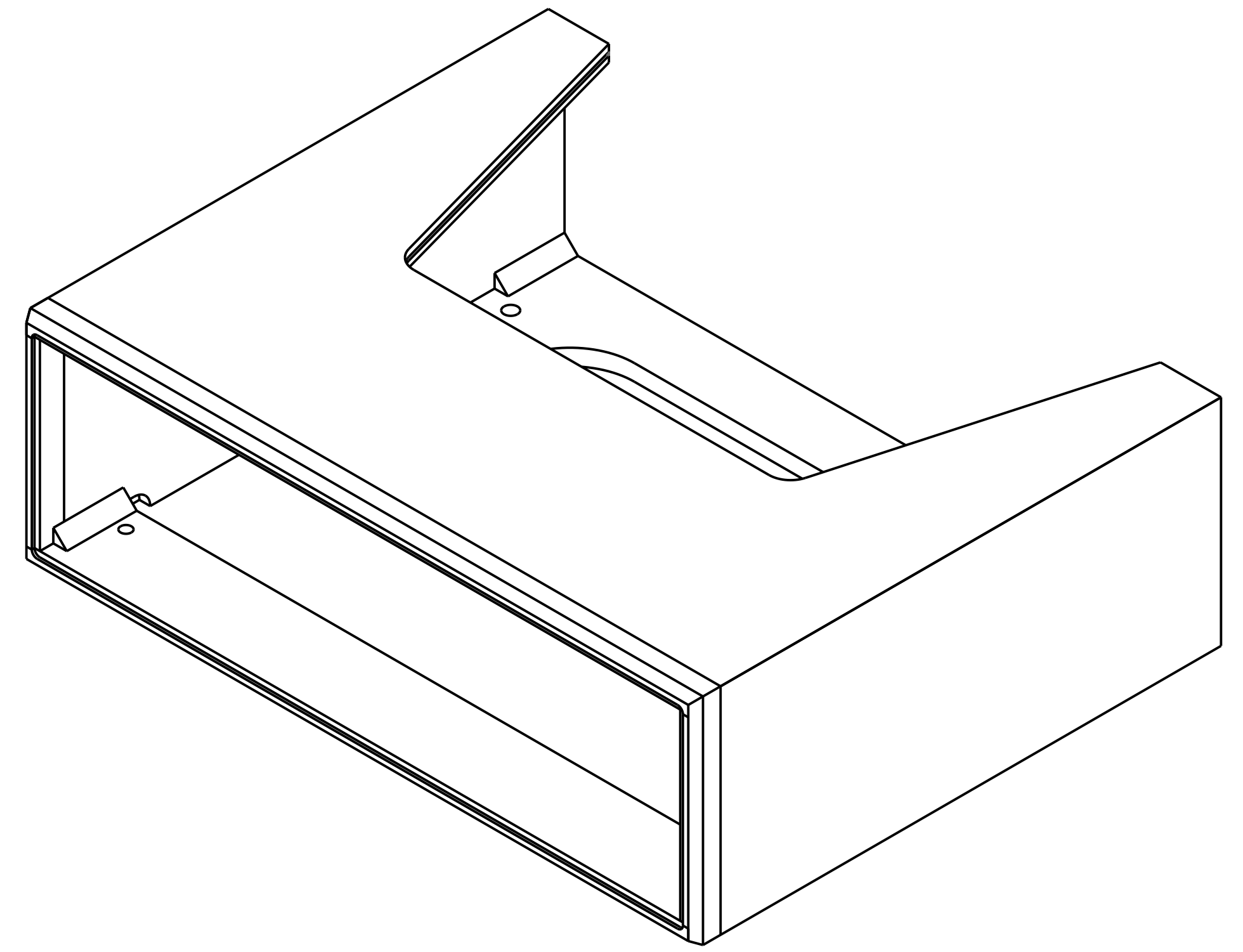
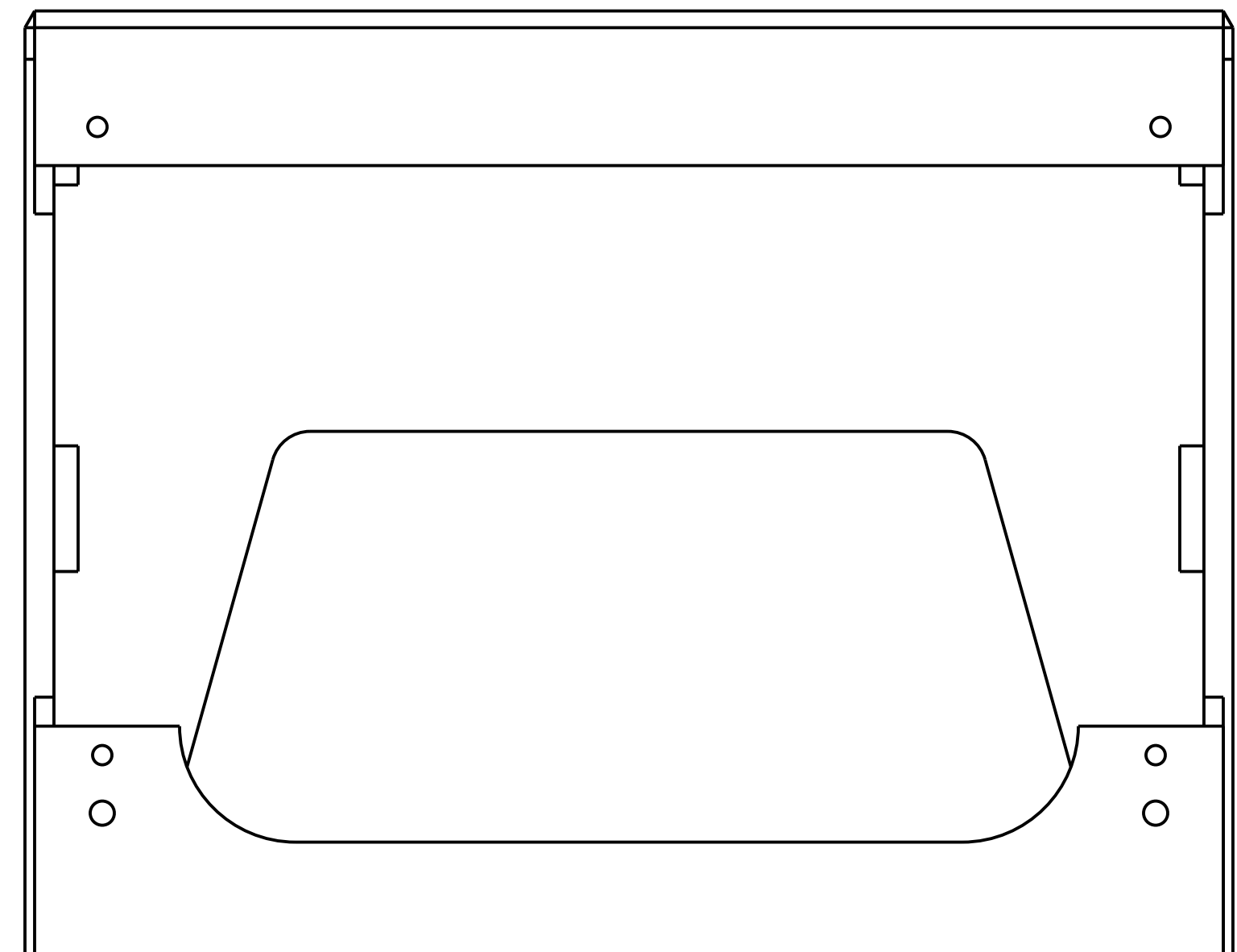
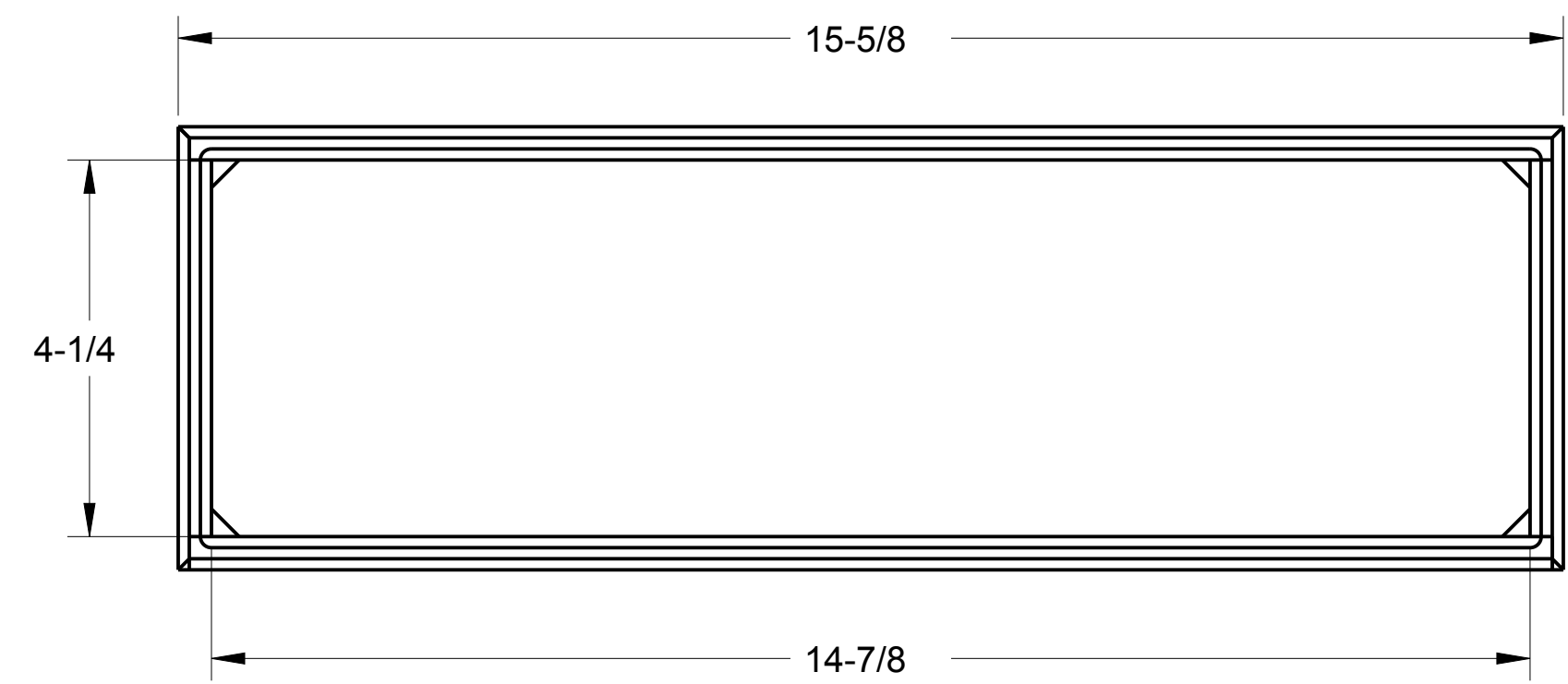
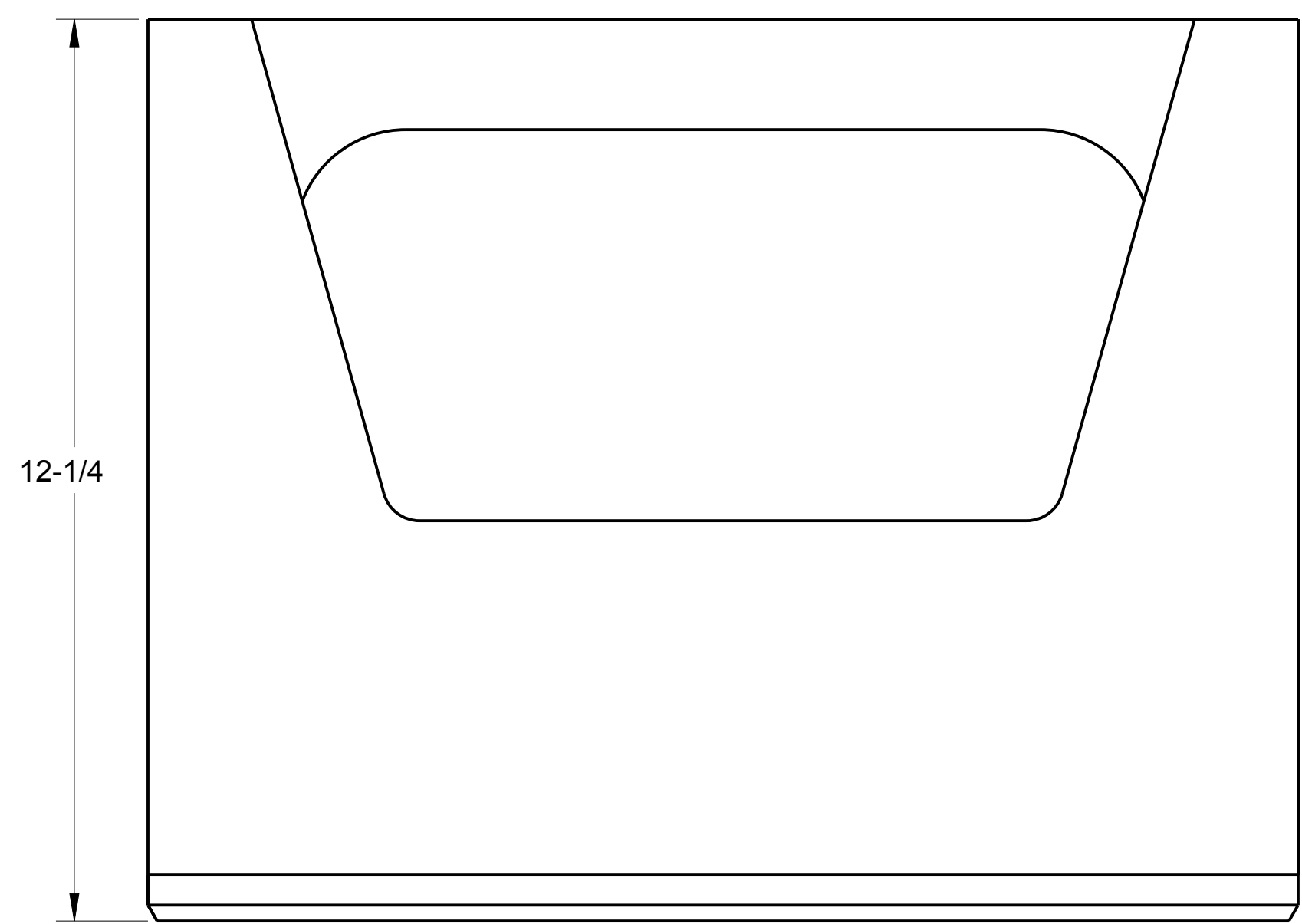


1 2 3 4 5 6 7 8

MODEL NAME CASE TITLE



	DRAWN BY	DATE
	CHECKED BY	DATE
	APPROVED BY	DATE
<small>UNLESS OTHERWISE SPECIFIED ALL DIMENSIONS ARE IN INCHES. TOLERANCES ARE: X.XX ± 0.1 X.XXX ± 0.01 ANG ± 1</small>		<small>THIS DOCUMENT IS SUPPLIED IN CONFIDENCE. NO REPRODUCTION OF THIS DOCUMENT IN PART OR IN WHOLE OR THE DISCLOSURE OF THE ITEMS SHOWN MAY BE MADE WITHOUT THE COPYRIGHT OWNERS WRITTEN PERMISSION.</small>
TITLE SCOTT 222C CASE		SCALE 1:2
PROJECT _CASE	MODEL NAME _CASE	ISSUE SHEET 1 OF 1

DO NOT SCALE

1 2 3 4 5 6 7 8

1 2 3 4 5 6 7 8

E E

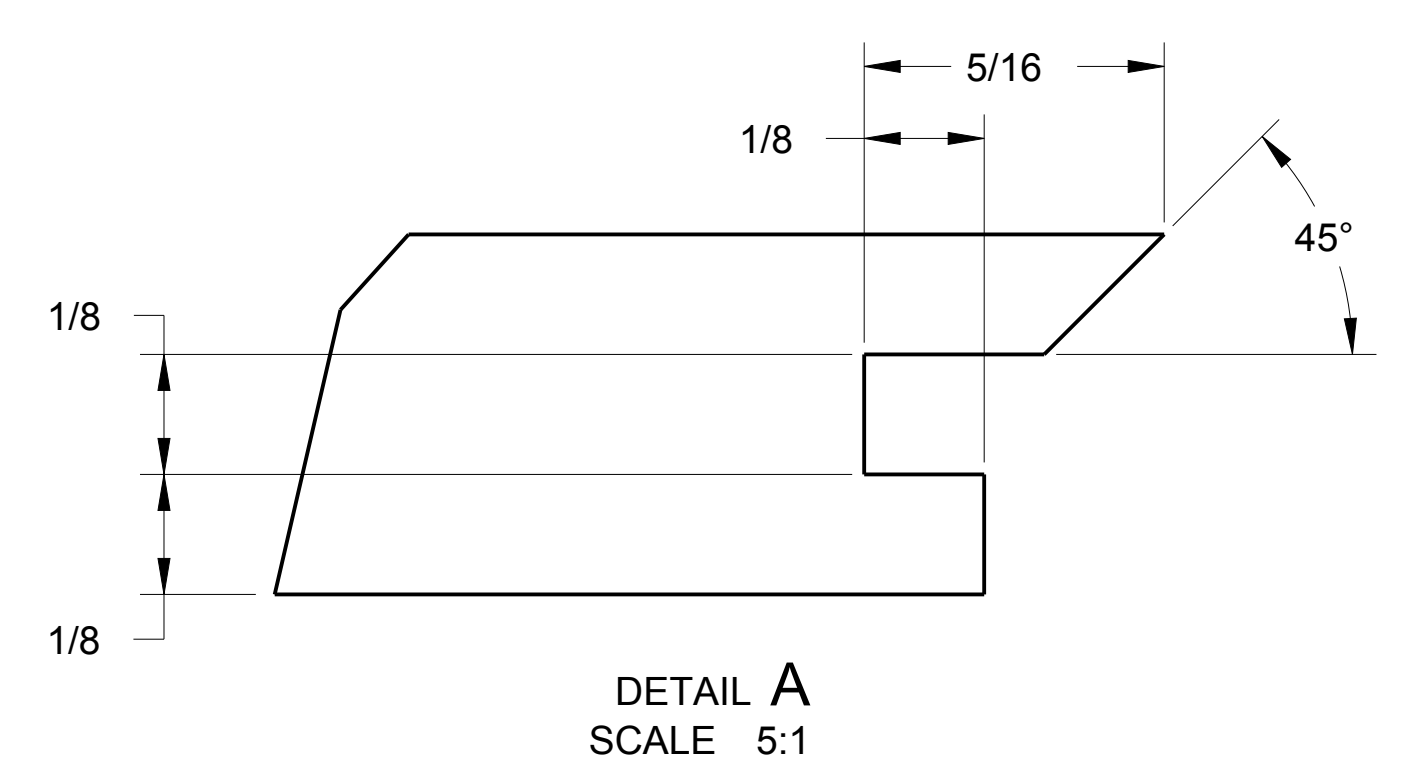
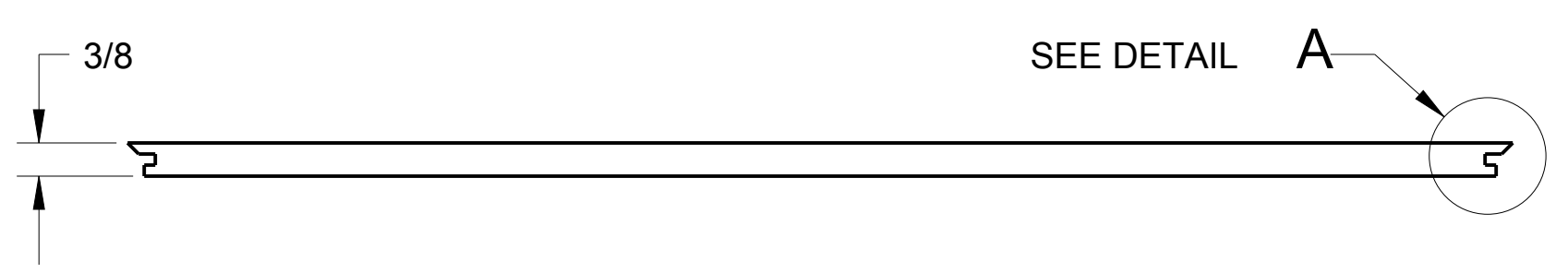
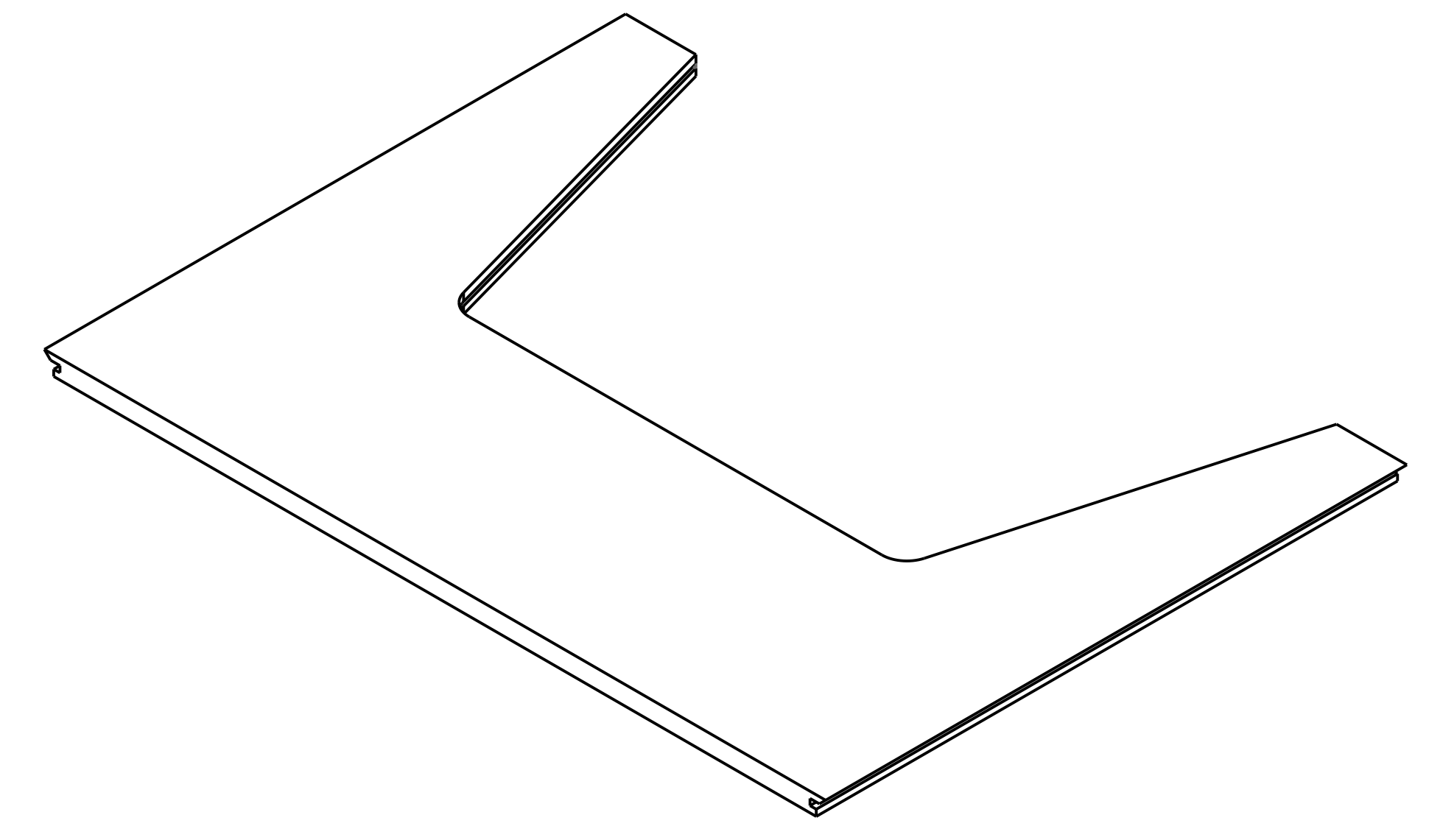
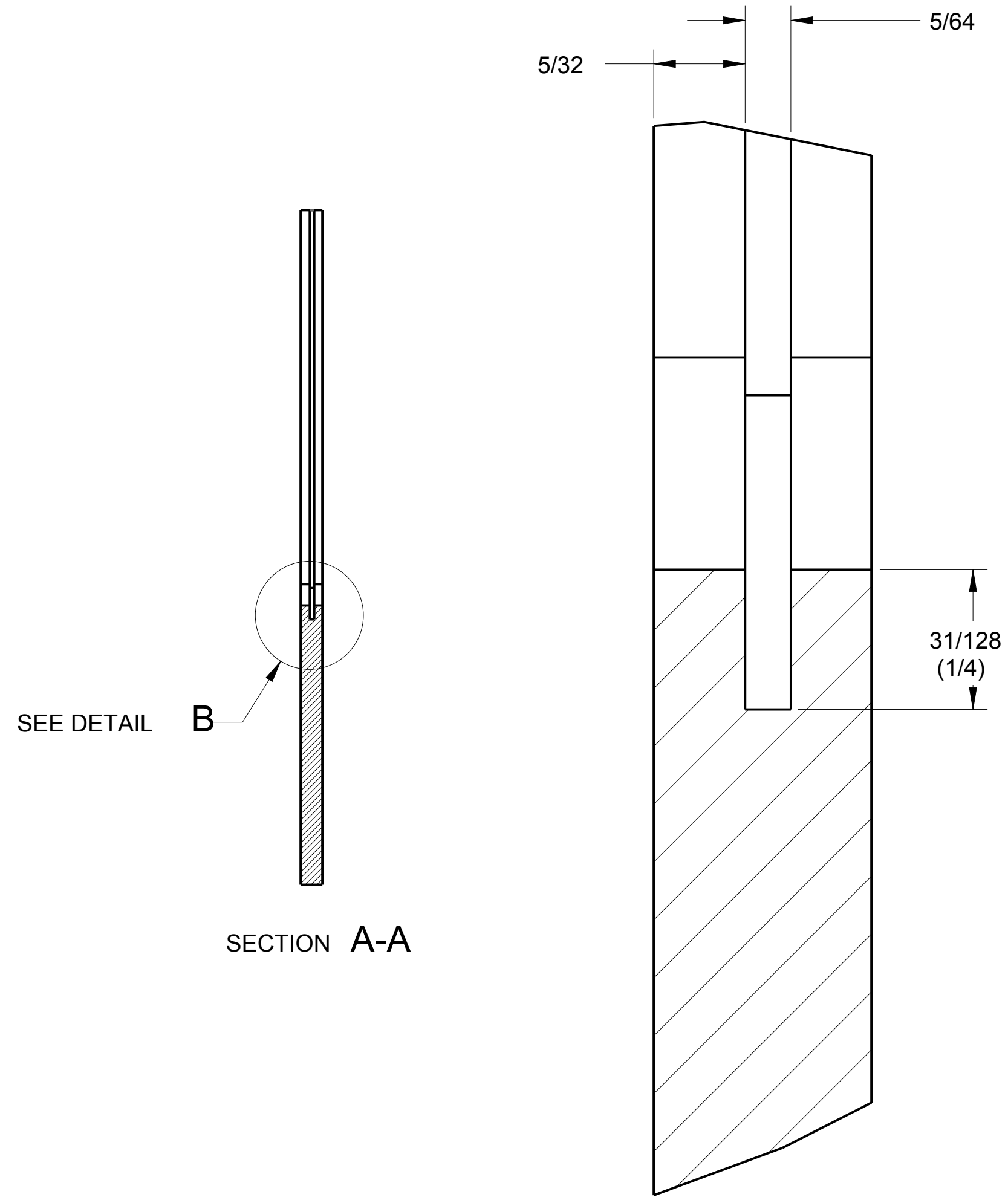
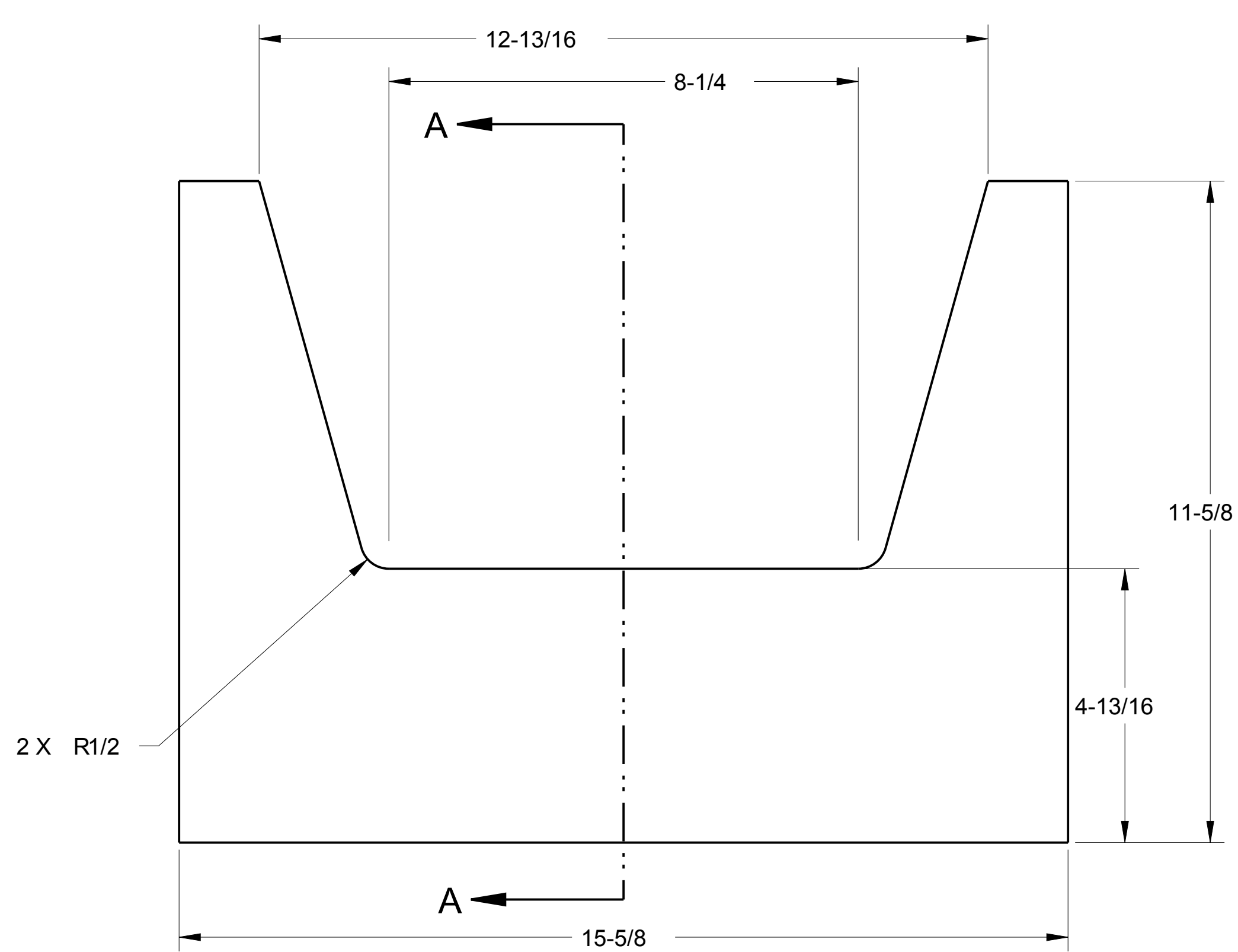
D D

C C

B B

A A

MODEL NAME CASE TITLE



UNLESS OTHERWISE SPECIFIED ALL DIMENSIONS ARE IN INCHES. X.XX +/- 0.1 X.XXX +/- 0.01 ANG +/- 1	TITLE	DRAWN BY	DATE
	PROJECT	CHECKED BY	DATE
		APPROVED BY	DATE
DO NOT SCALE	TOP	SCALE 1:2	SHEET 1 OF 1
	MODEL NAME	ISSUE	
	_CASE		

1 2 3 4 5 6 7 8

1 2 3 4 5 6 7 8

E E

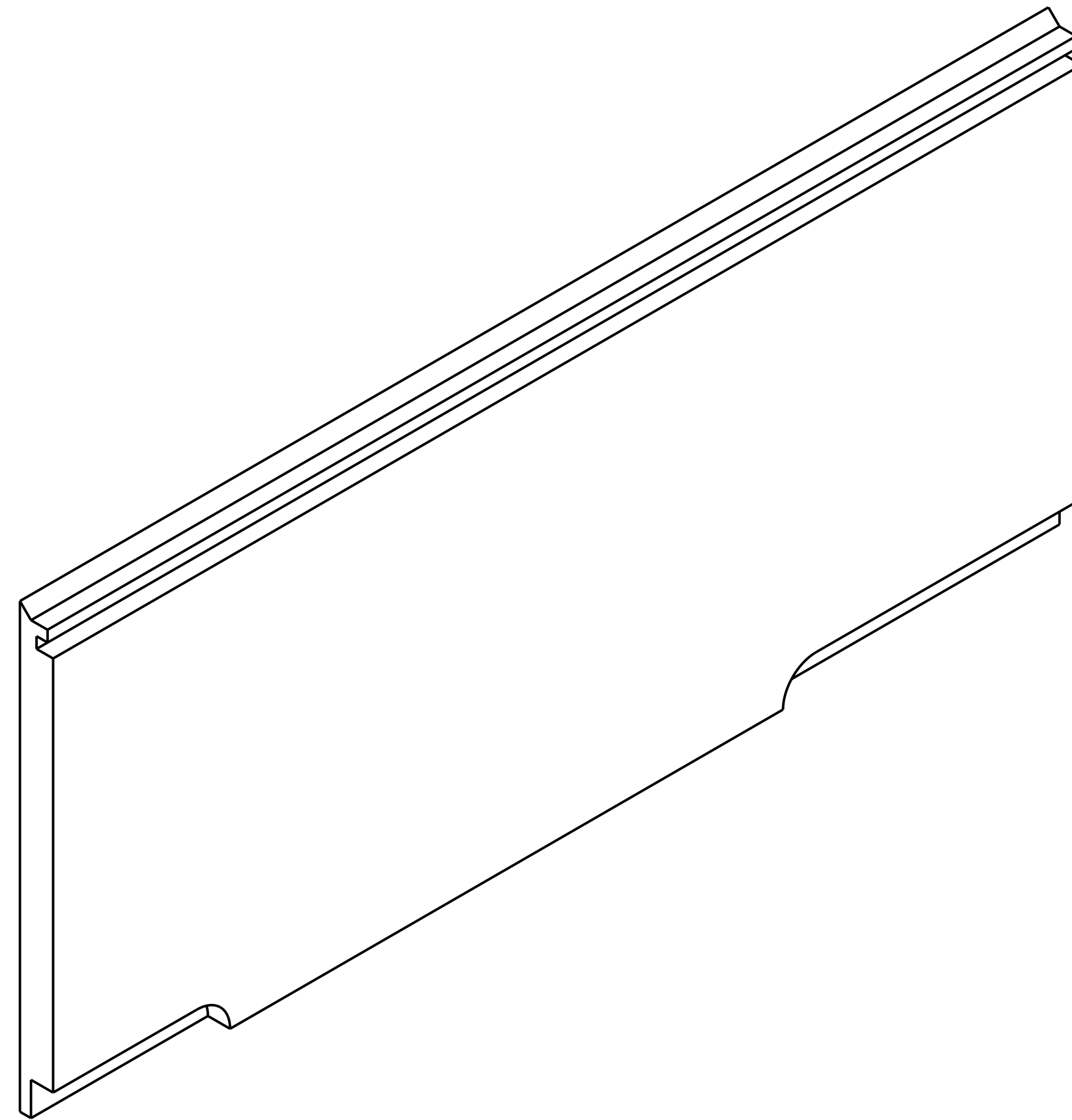
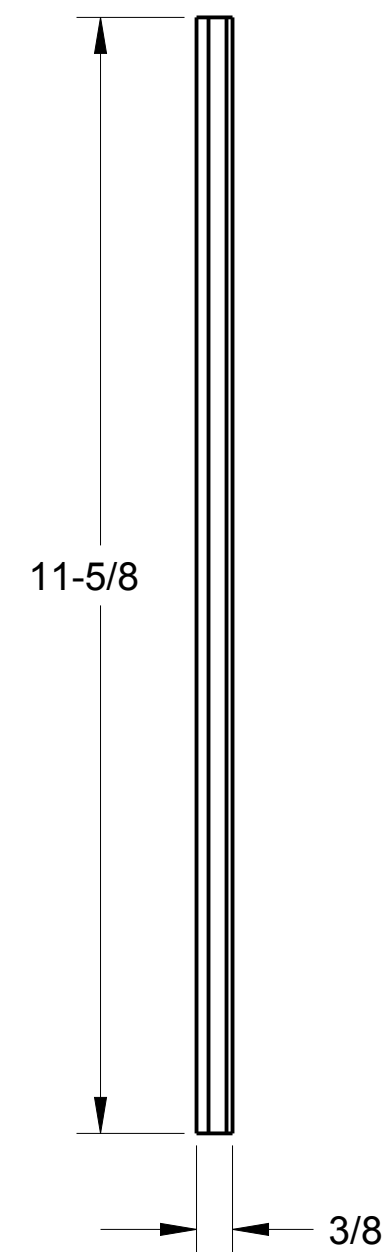
D D

C C

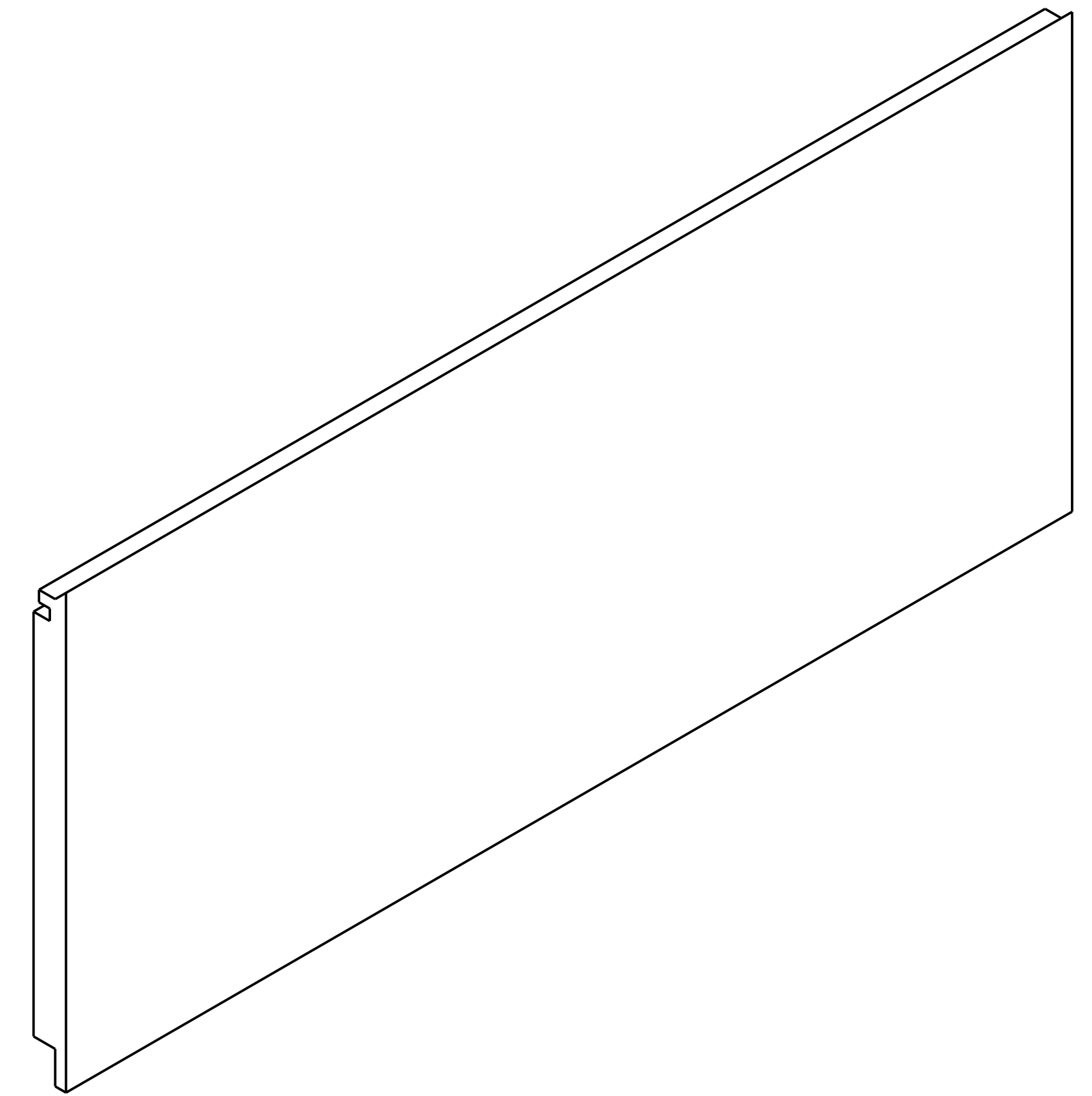
B B

A A

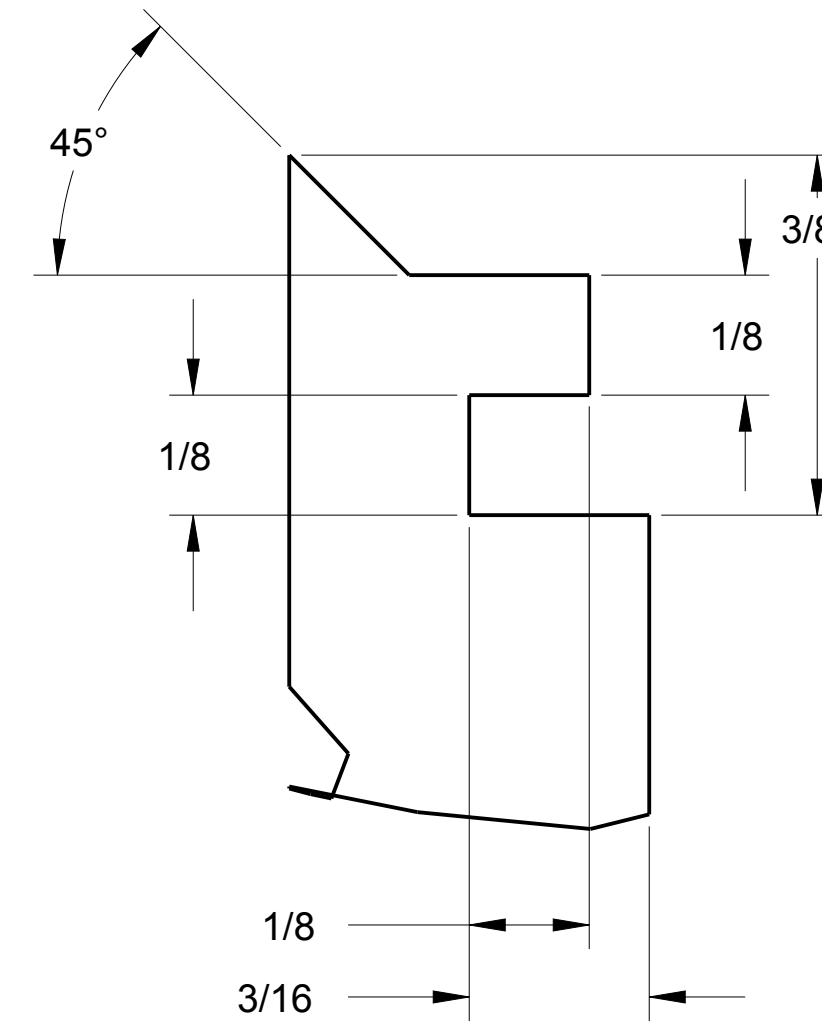
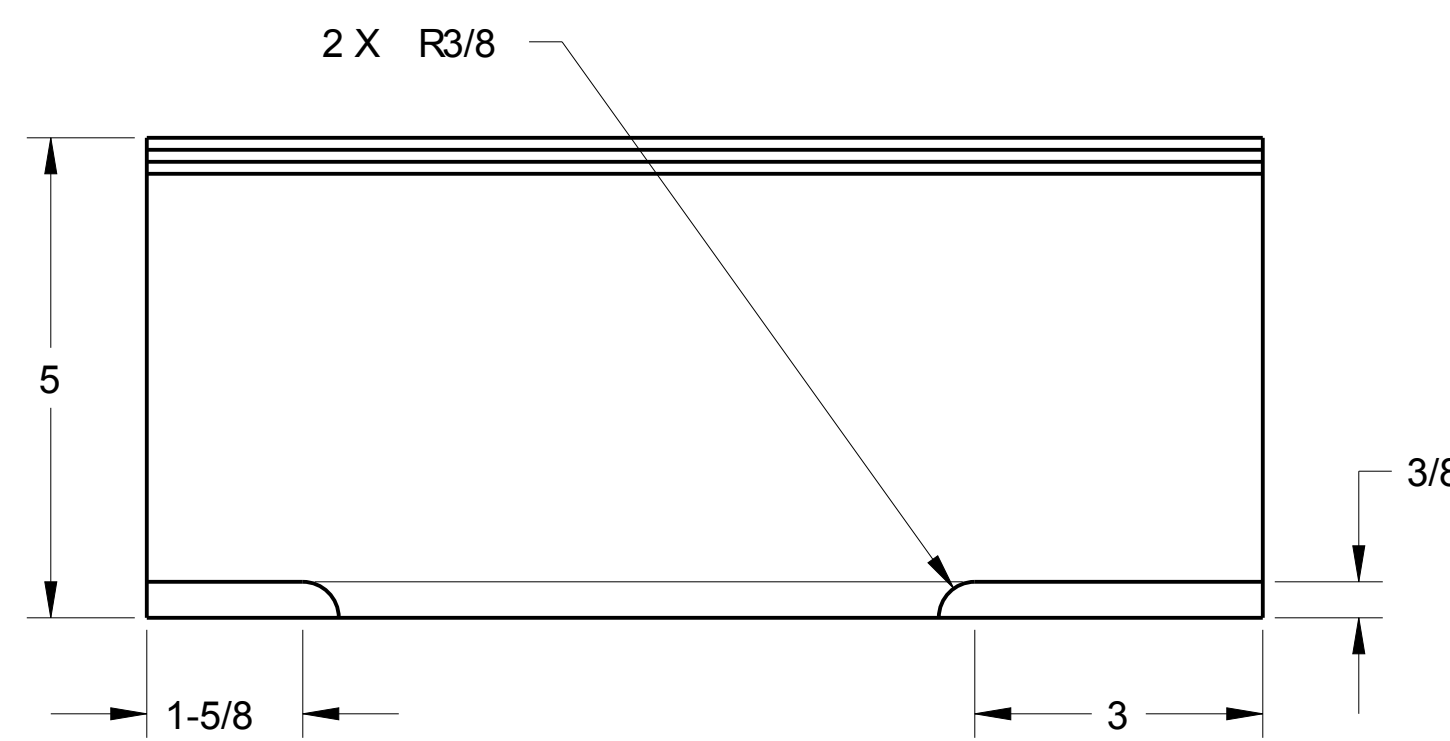
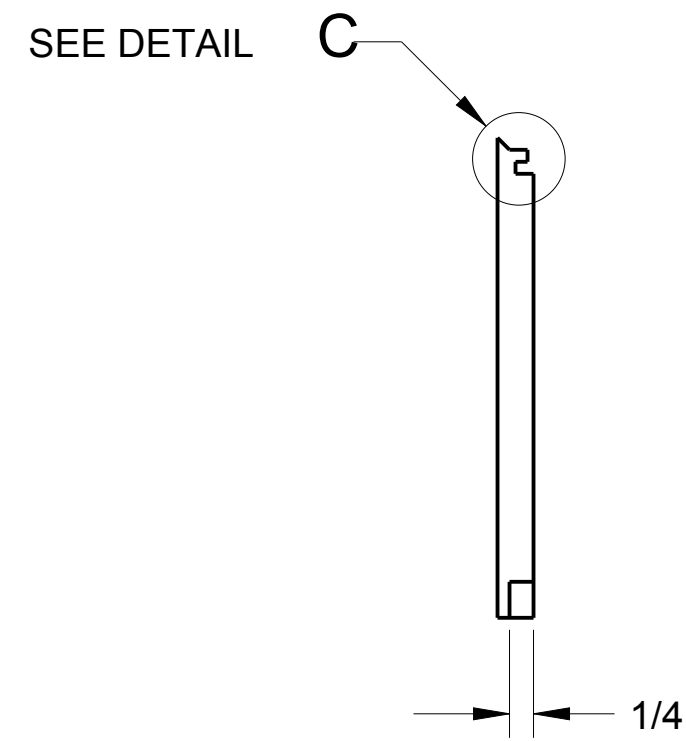
MODEL NAME CASE TITLE



SCALE 1:1



SCALE 1:1



DETAIL C
SCALE 5:1

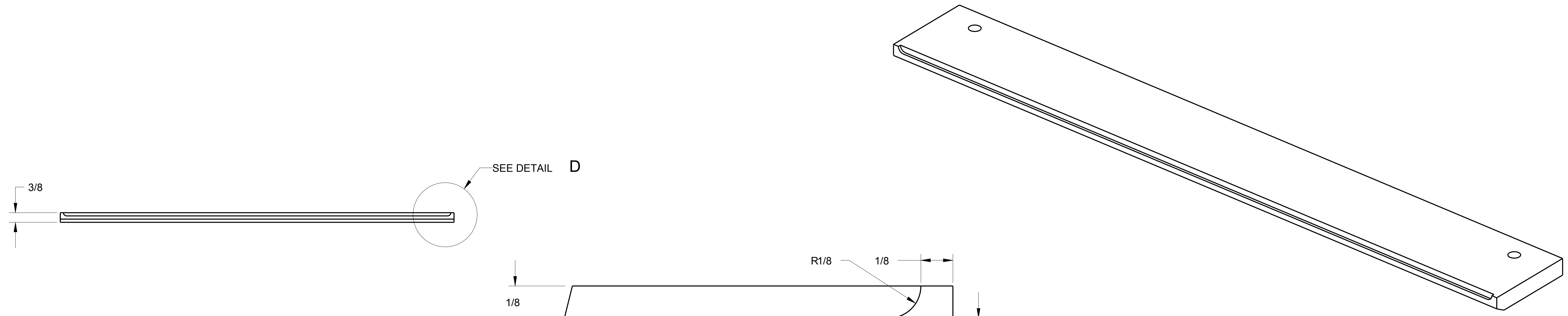
NOTE:
LEFT SIDE DETAILED
RIGHT SIDE MIRRORS LEFT
DIMENSIONS ARE SAME

		DRAWN BY	DATE
		CHECKED BY	DATE
		APPROVED BY	DATE
<small>UNLESS OTHERWISE SPECIFIED ALL DIMENSIONS ARE IN INCHES. TOLERANCES ARE: XXX +/- 0.1 XX +/- 0.01 X +/- 0.001 ANG +/- 1</small>		SCALE 1:2	SHEET 1 OF 1
<small>THIS DOCUMENT IS SUPPLIED IN CONFIDENCE. NO REPRODUCTION OF THIS DOCUMENT IN PART OR IN WHOLE OR THE DISCLOSURE OF THE ITEMS SHOWN MAY BE MADE WITHOUT THE COPYRIGHT OWNERS WRITTEN PERMISSION.</small>		TITLE LEFT / RIGHT SIDE PROJECT _____ MODEL NAME _____ ISSUE _____ _CASE	

DO NOT SCALE

1 2 3 4 5 6 7 8

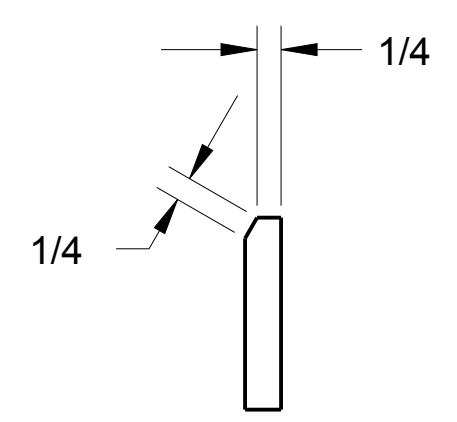
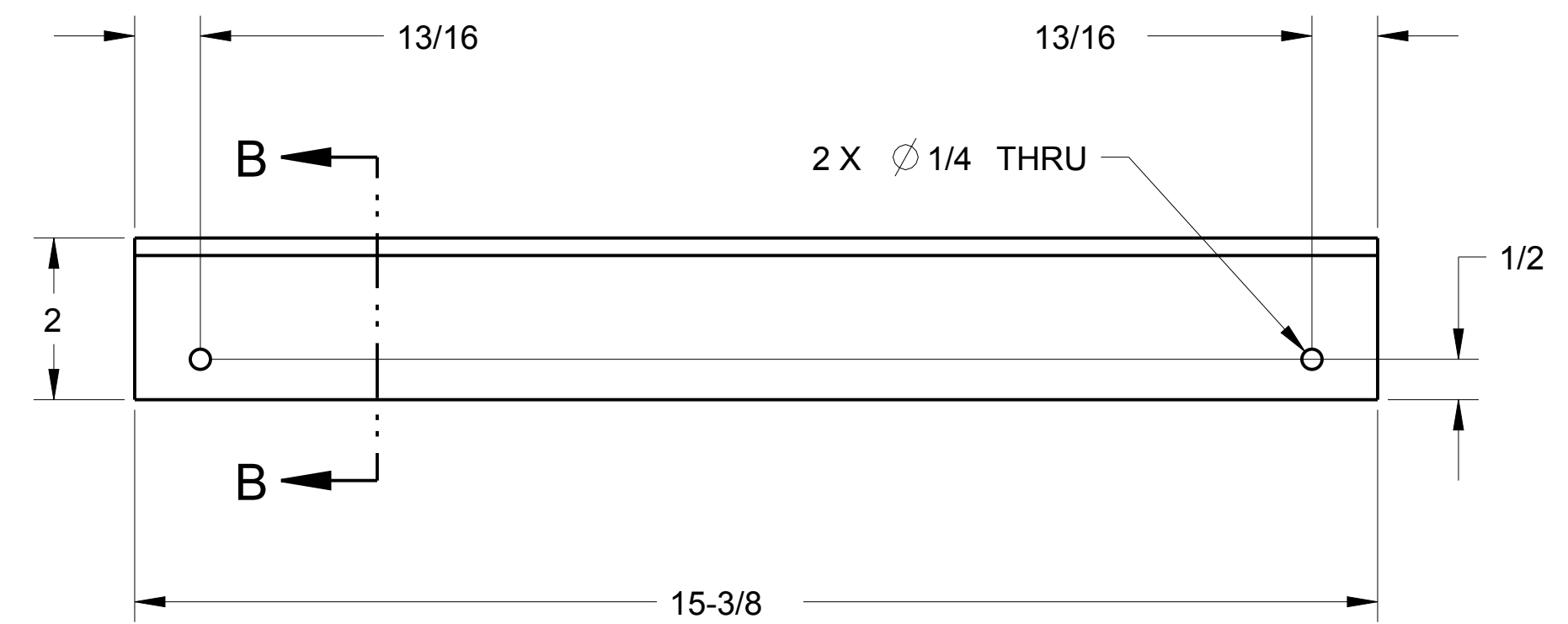
MODEL NAME: CASE TITLE:



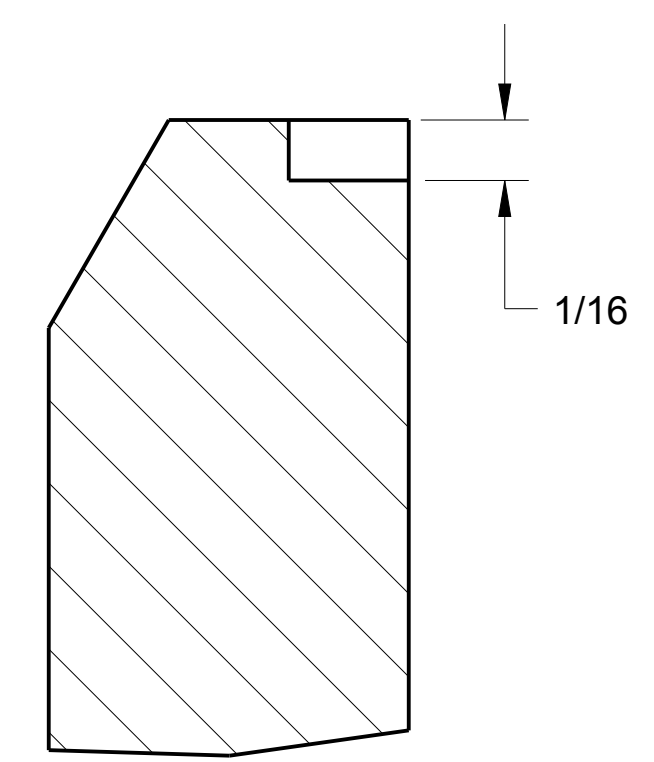
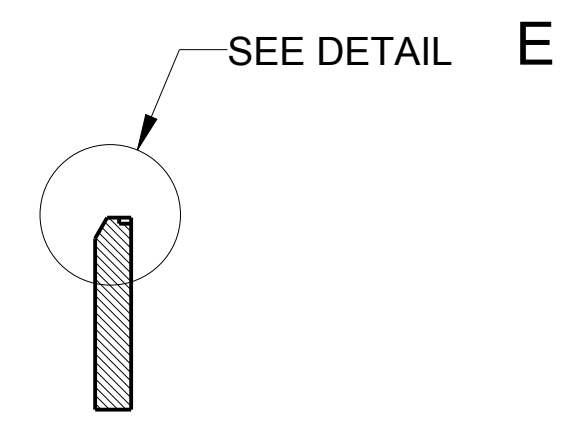
SCALE 1:1



DETAIL D
SCALE 5:1



SECTION B-B



DETAIL E
SCALE 5:1

UNLESS OTHERWISE SPECIFIED ALL DIMENSIONS ARE IN INCHES. X.XX +/- 0.1 X.XXX +/- 0.01 X.XXXX +/- 0.001 ANG +/- 1	DRAWN BY		DATE
	CHECKED BY		DATE
	APPROVED BY		DATE
TITLE		SCALE 1:2	SHEET 1 OF 1
PROJECT		MODEL NAME	ISSUE
DO NOT SCALE		_CASE	

1 2 3 4 5 6 7 8

E

E

D

D

C

C

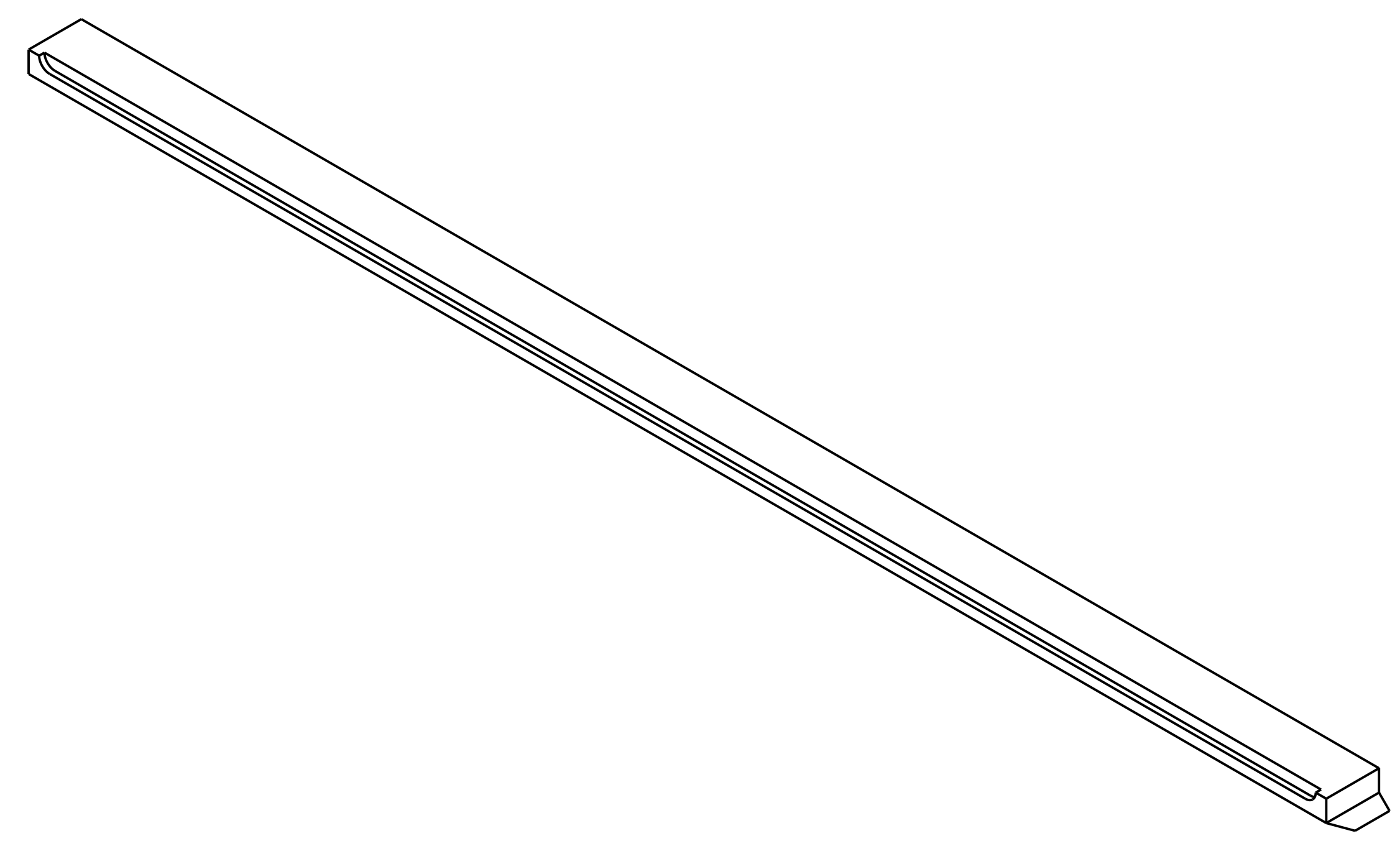
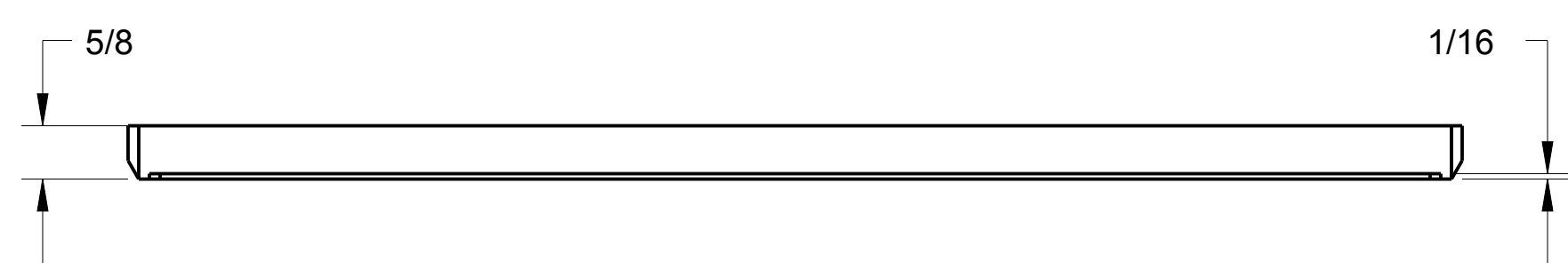
B

B

A

A

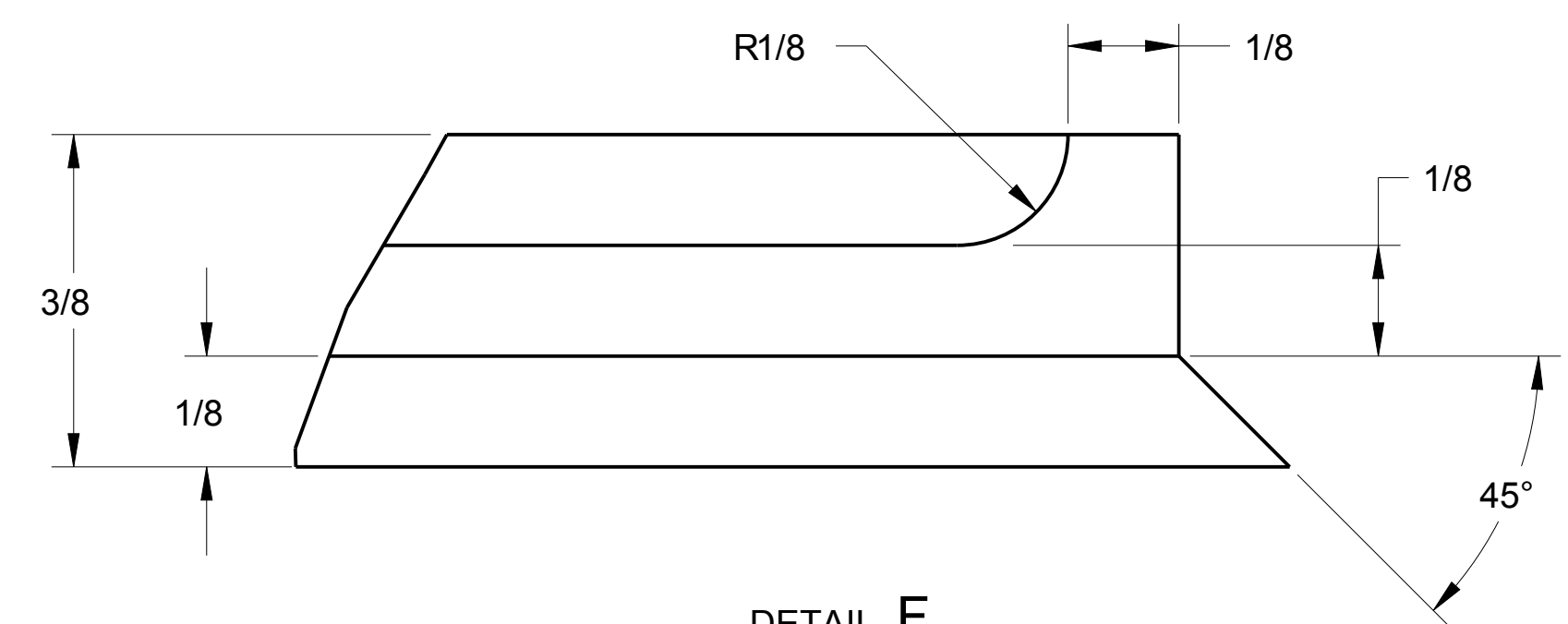
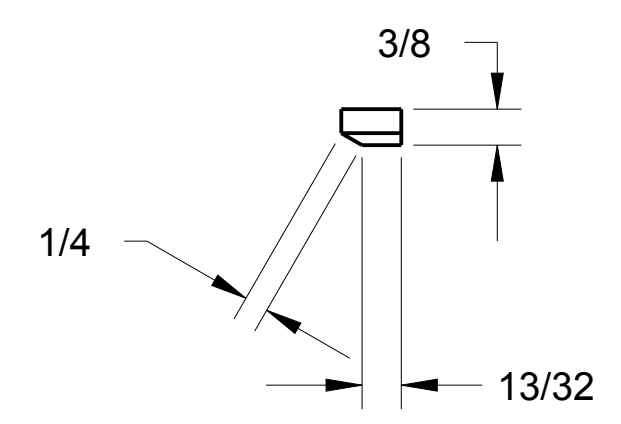
MODEL NAME CASE TITLE



SCALE 1:1



SEE DETAIL F

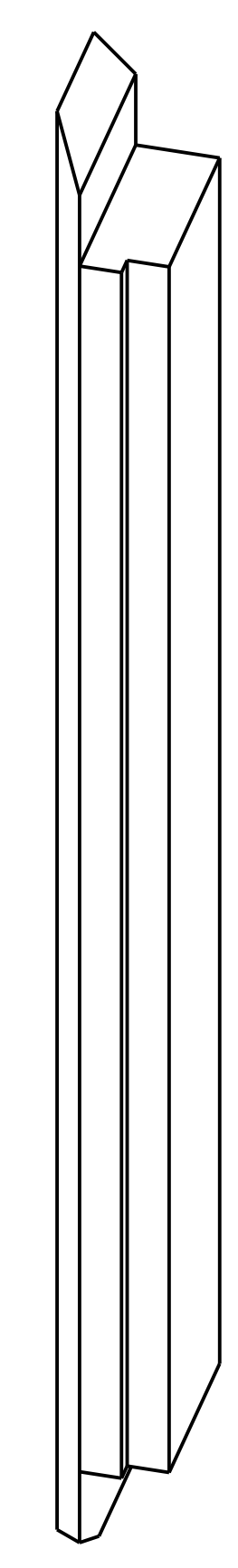
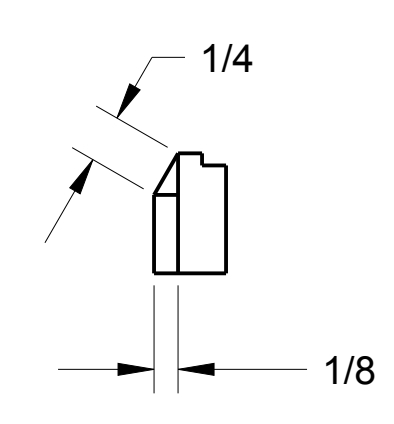
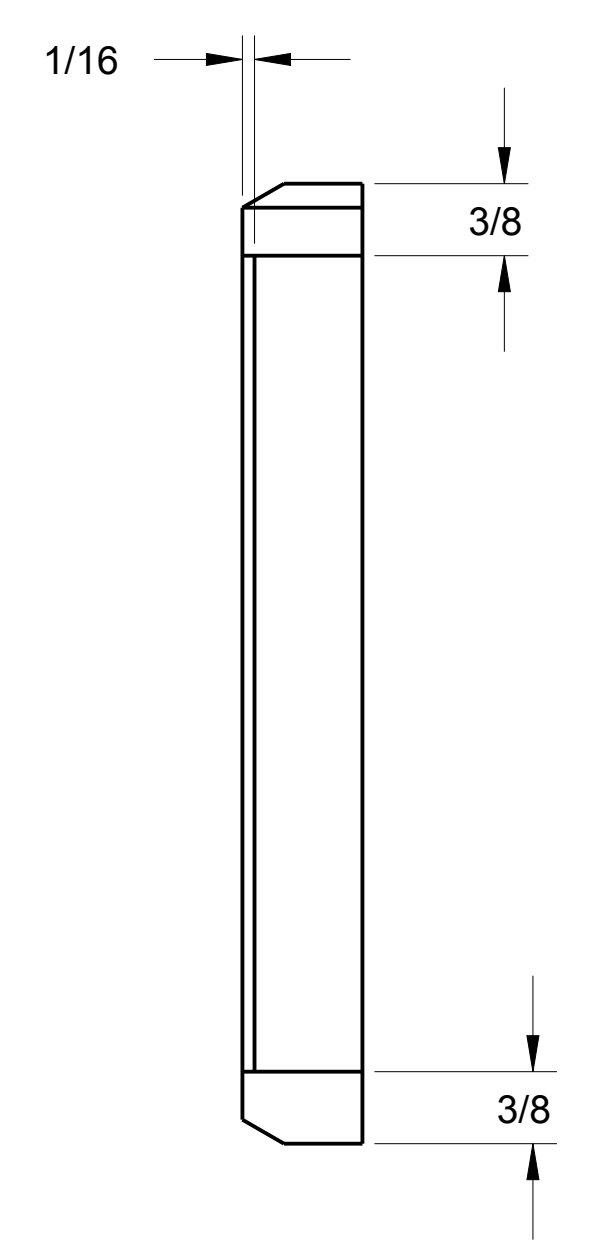
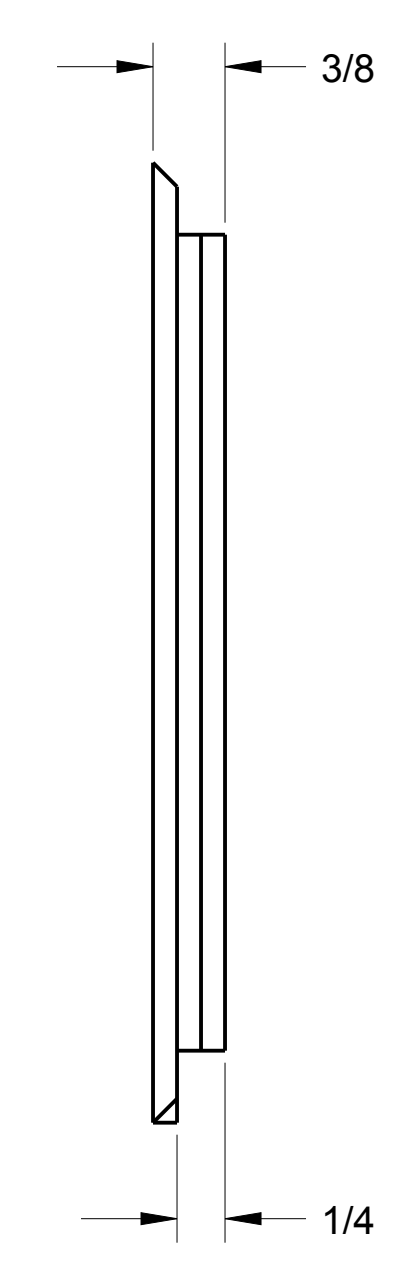
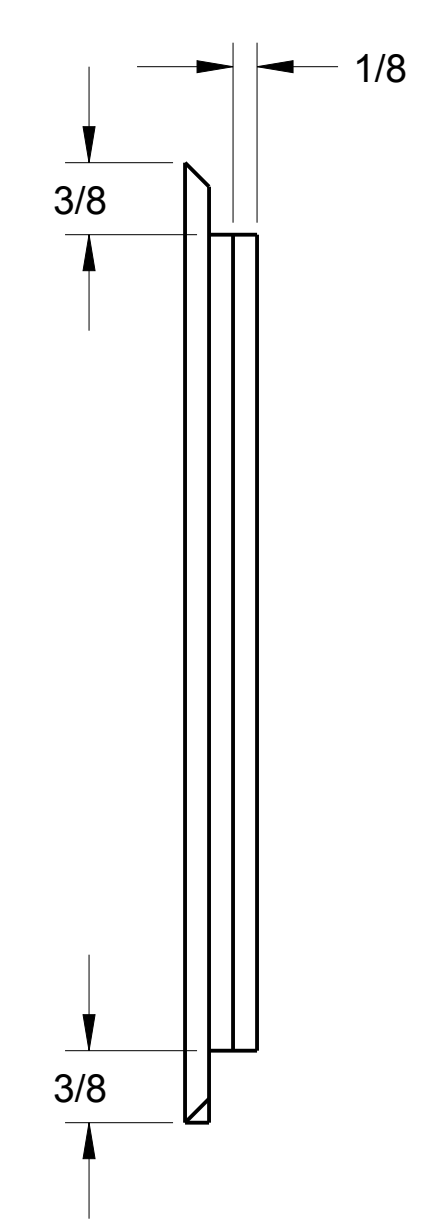
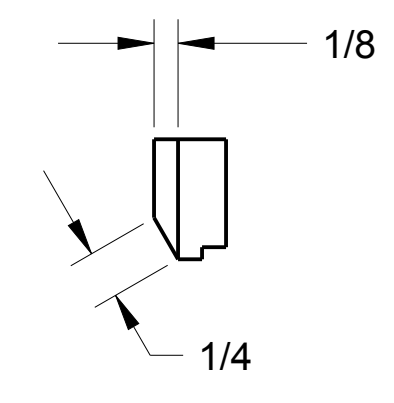
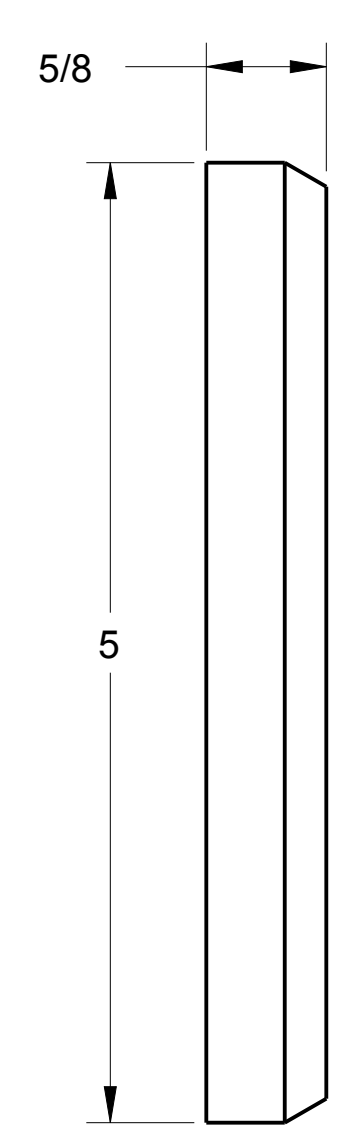


DETAIL F
SCALE 5:1

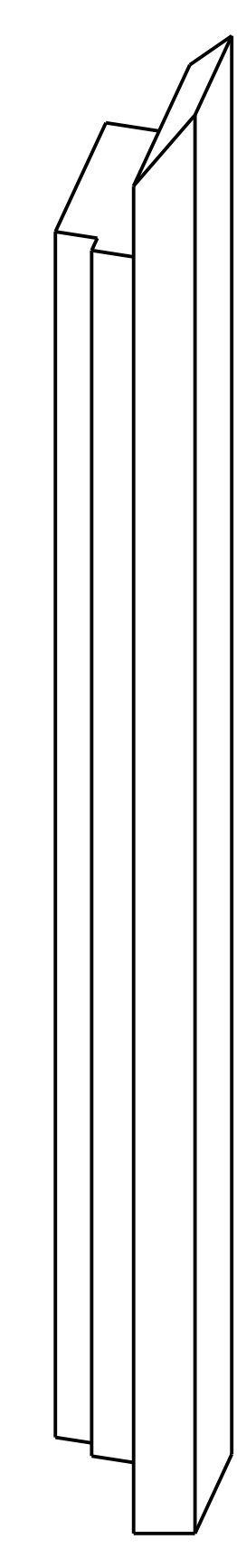
UNLESS OTHERWISE SPECIFIED ALL DIMENSIONS ARE IN INCHES. TOLERANCES ARE: XXX ± 0.1 XXX ± 0.01 XXX ± 0.001 ANG ± 1° DO NOT SCALE	DRAWN BY		DATE
	CHECKED BY		DATE
	APPROVED BY		DATE
TITLE FRONT FACIA		SCALE 1:2	SHEET 1 OF 1
PROJECT	MODEL NAME _CASE	ISSUE	

1 2 3 4 5 6 7 8

MODEL NAME: CASE TITLE:



SCALE 2:1

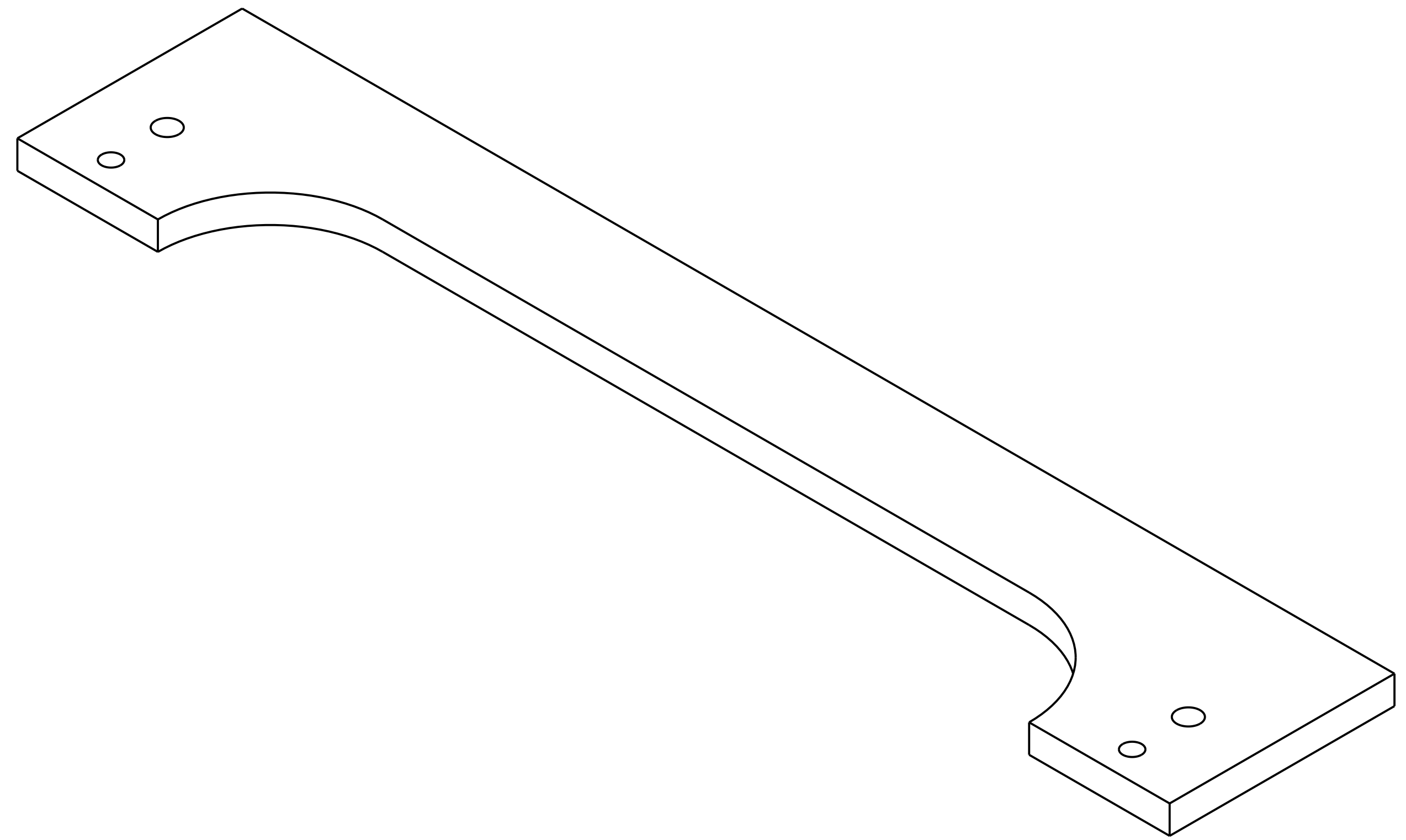
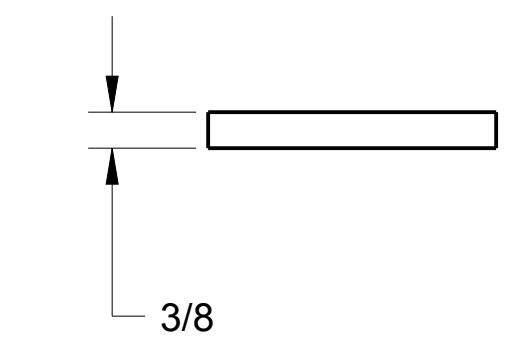
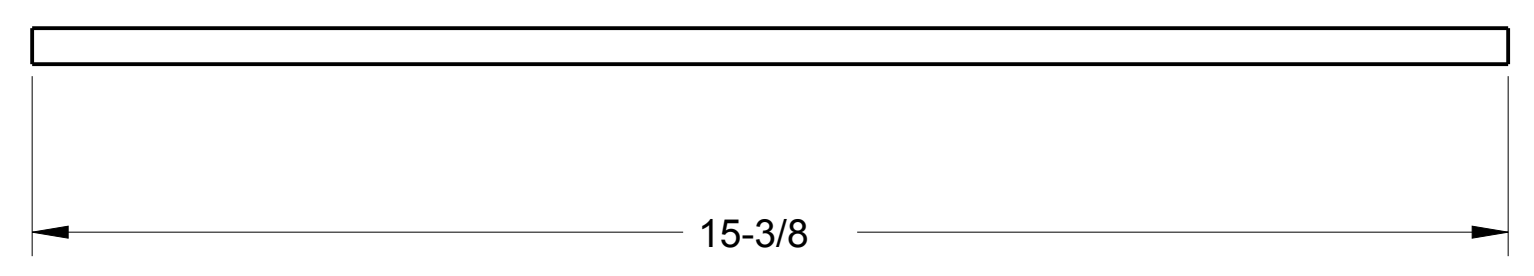
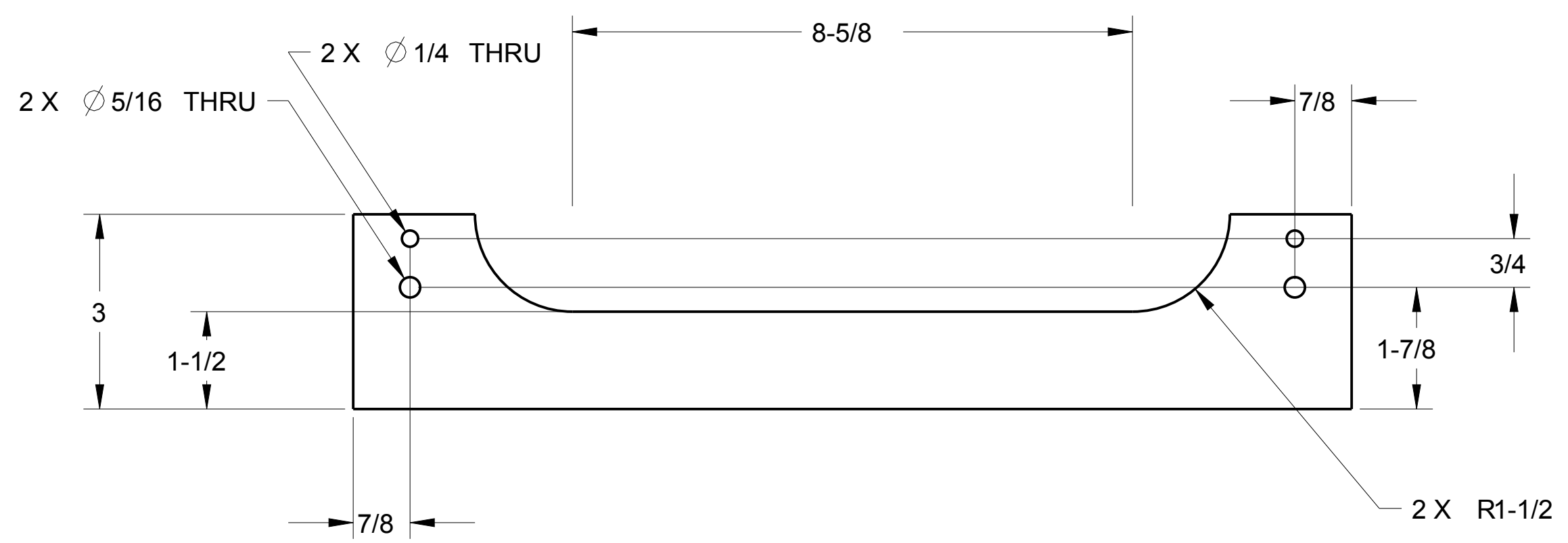


SCALE 2:1

NOTE:
LEFT SIDE DETAILED
RIGHT SIDE MIRRORS LEFT
DIMENSIONS ARE SAME

	UNLESS OTHERWISE SPECIFIED ALL DIMENSIONS ARE IN INCHES. TOLERANCES ARE: XXX +/- 0.1 XXX +/- 0.01 XXX +/- 0.001 ANG +/- 1	DRAWN BY	DATE
		CHECKED BY	DATE
		APPROVED BY	DATE
THIS DOCUMENT IS SUPPLIED IN CONFIDENCE. NO REPRODUCTION OF THIS DOCUMENT IN PART OR IN WHOLE OR THE DISCLOSURE OF THE ITEMS SHOWN MAY BE MADE WITHOUT THE COPYRIGHT OWNERS WRITTEN PERMISSION.		SCALE 1:2	SHEET 1 OF 1
TITLE	LEFT / RIGHT FACIA		
PROJECT	MODEL NAME	ISSUE	
DO NOT SCALE	_CASE		

MODEL NAME: CASE TITLE:



SCALE 1:1

UNLESS OTHERWISE SPECIFIED ALL DIMENSIONS ARE IN INCHES. TOLERANCES ARE: XXX +/- 0.1 XXX +/- 0.01 XXX +/- 0.001 ANG +/- 1	TITLE	DRAWN BY	DATE
	PROJECT	CHECKED BY	DATE
		APPROVED BY	DATE
DO NOT SCALE	SCALE 1:2		SHEET 1 OF 1
BOTTOM BACK		MODEL NAME	ISSUE
		_CASE	

1 2 3 4 5 6 7 8

MODEL NAME CASE TITLE

E

E

D

D

C

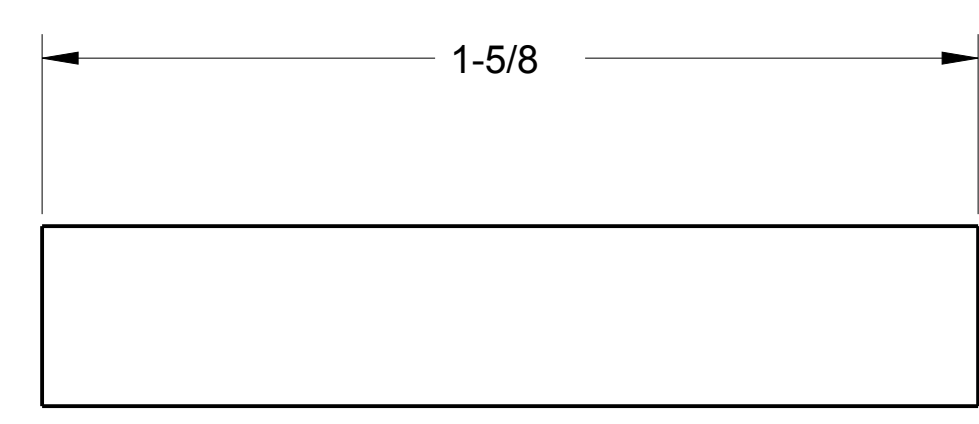
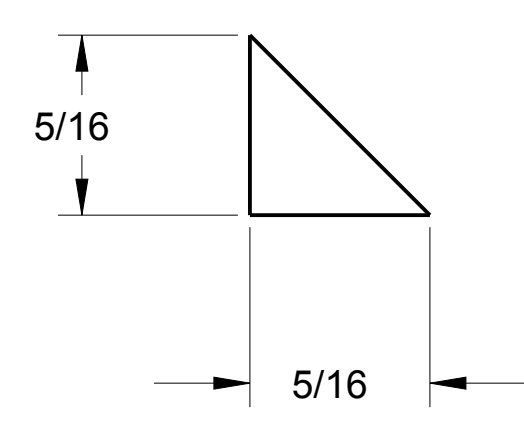
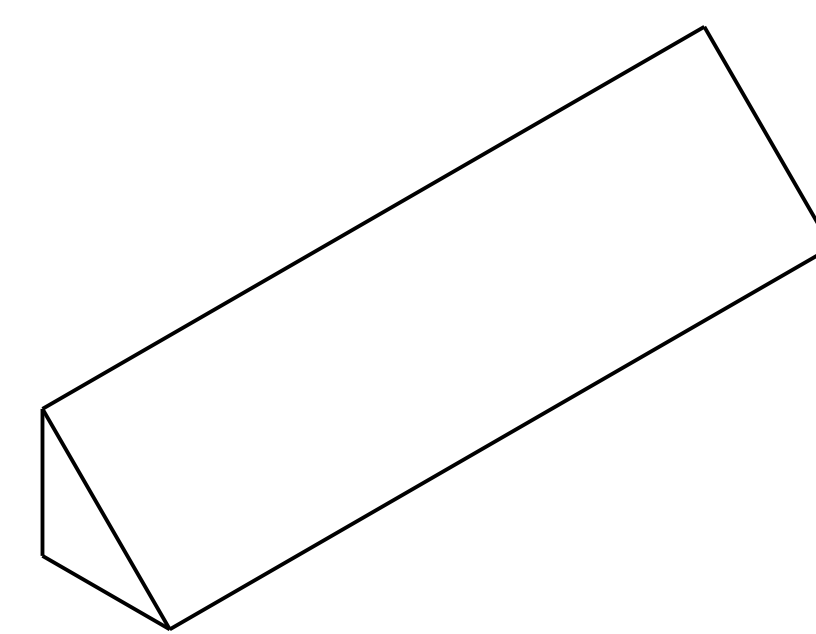
C

B

B

A

A



UNLESS OTHERWISE SPECIFIED ALL DIMENSIONS ARE IN INCHES. TOLERANCES ARE: X.XX +/- 0.01 X.XXX +/- 0.001 ANG +/- 1	DRAWN BY		DATE
	CHECKED BY		DATE
	APPROVED BY		DATE
TITLE		SCALE 1:2	SHEET 1 OF 1
PROJECT		MODEL NAME	ISSUE
DO NOT SCALE	_CASE		

1 2 3 4 5 6 7 8