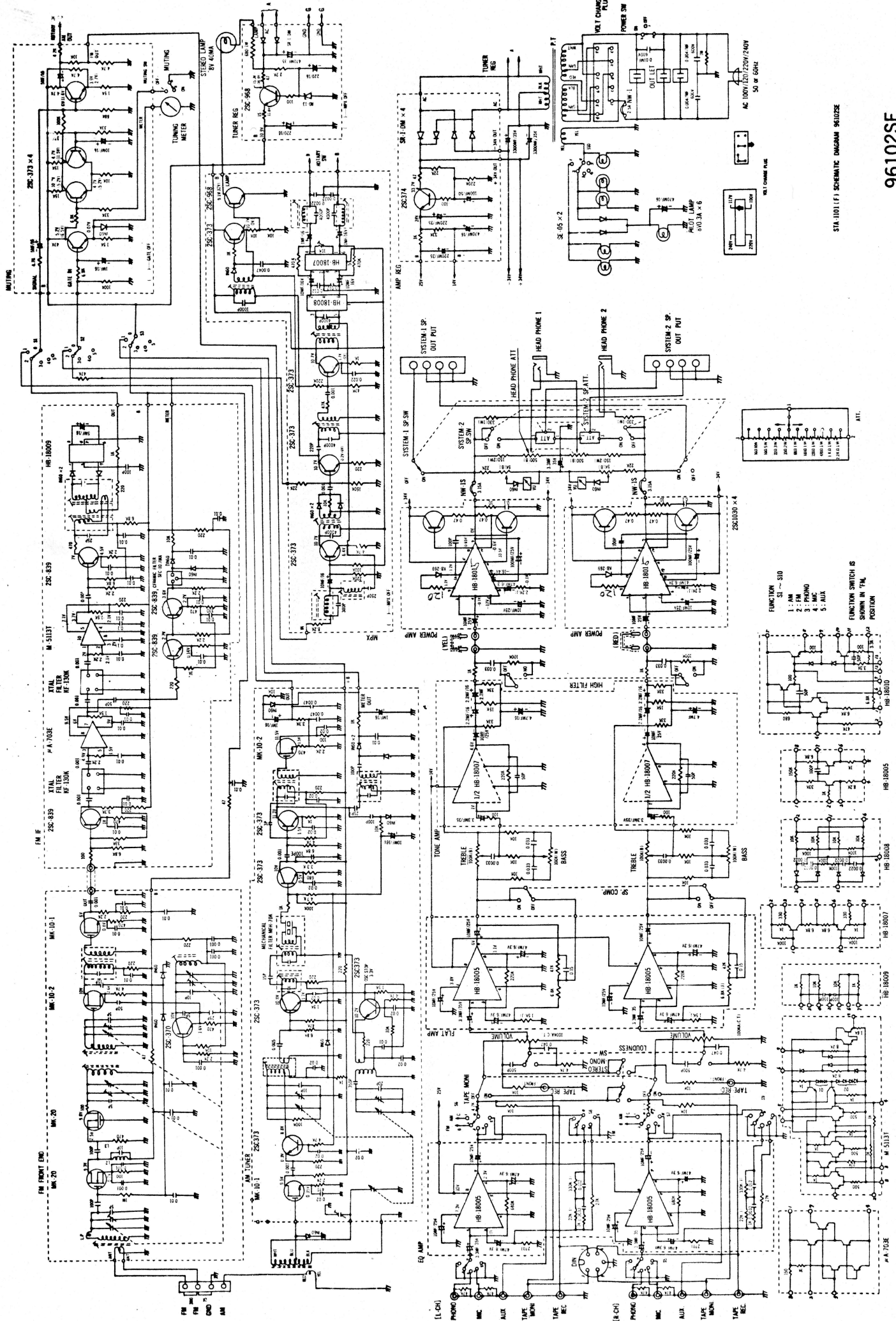


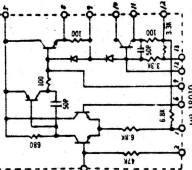
SCHEMATIC DIAGRAM STA-1101



STA-1101 (F) SCHEMATIC DIAGRAM SKIUDZE

96102SE

- FUNCTION SWITCH POSITION
- 1. AM
 - 2. FM
 - 3. PHONO
 - 4. AUX
 - 5. ATT.



P.A. 703E